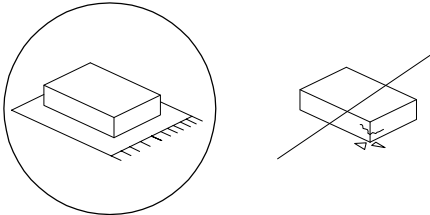
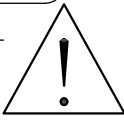
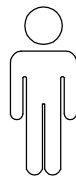
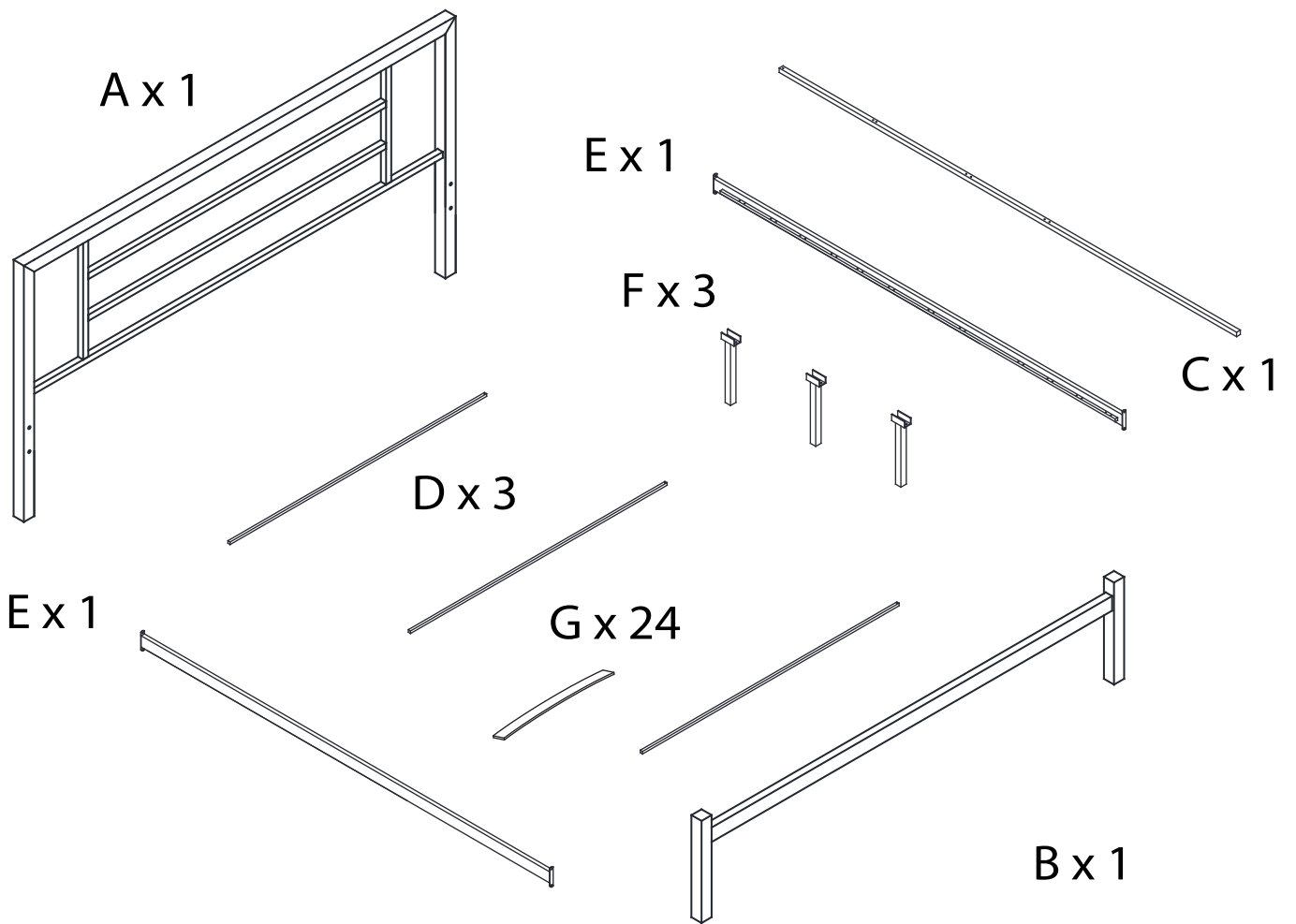
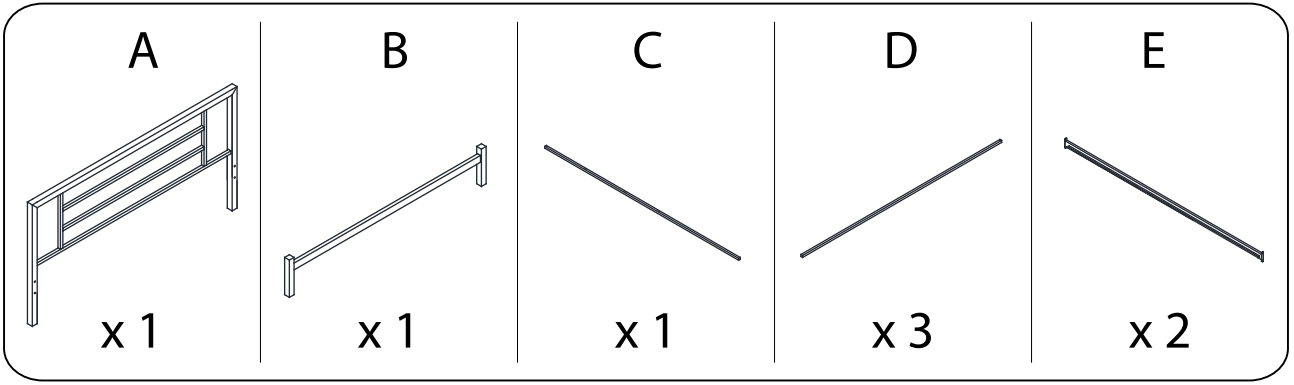
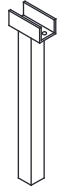

		<p>45'</p>
		
		<p>2</p>

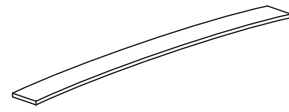


F



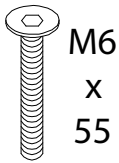
x 3

G



x 24

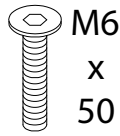
H



M6
x
55

x 3

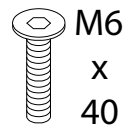
I



M6
x
50

x 6

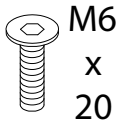
J



M6
x
40

x 5

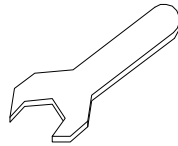
K



M6
x
20

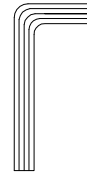
x 8

L



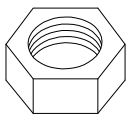
x 1

M



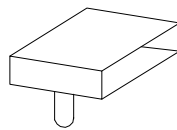
x 1

N



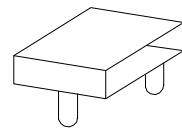
x 14

O



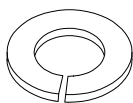
x 24

P



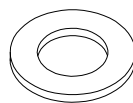
x 12

Q




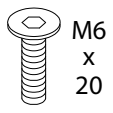

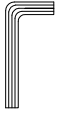
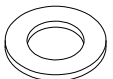
x 8

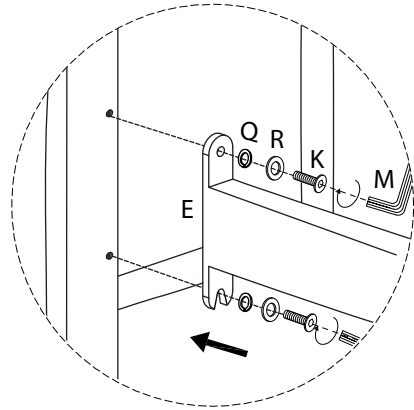
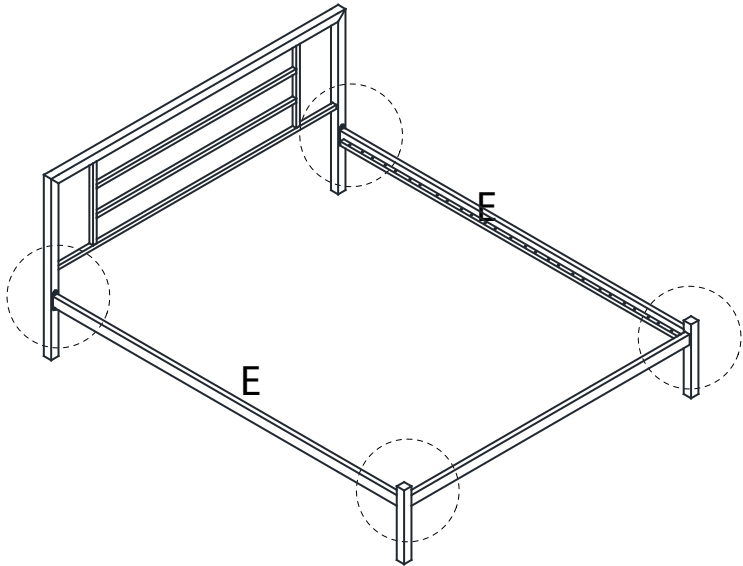
R




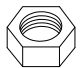
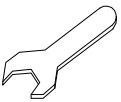
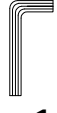
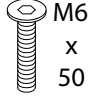
x 18

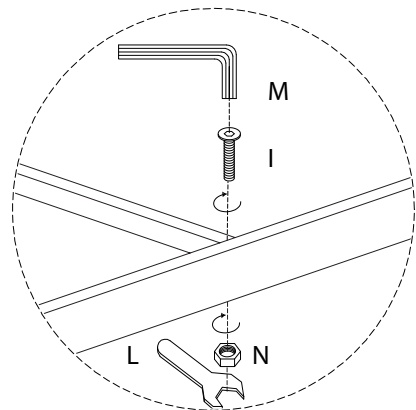
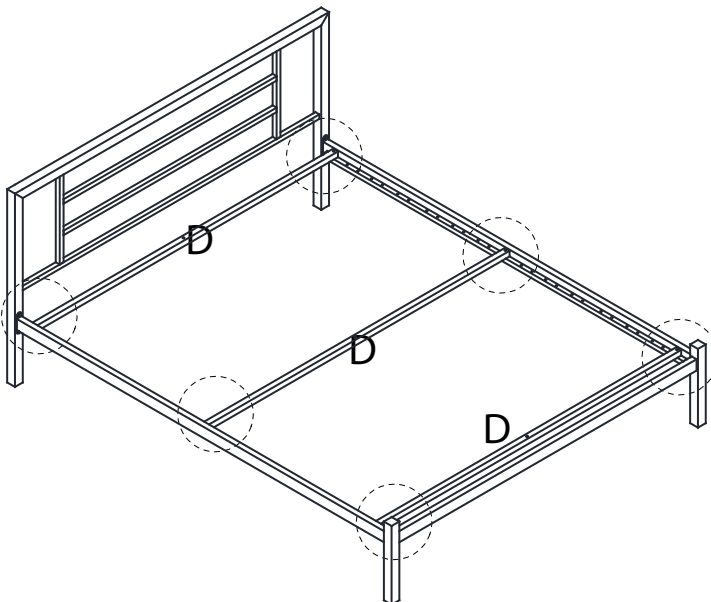
1

<p>E</p>  <p>x 2</p>	<p>K</p>  <p>M6 x 20 x 8</p>	<p>Q</p>  <p>x 8</p>	<p>M</p>  <p>x 1</p>	<p>R</p>  <p>x 8</p>
---	---	---	---	---


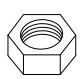
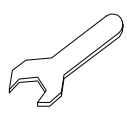
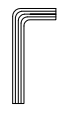
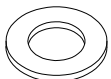
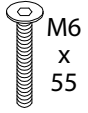


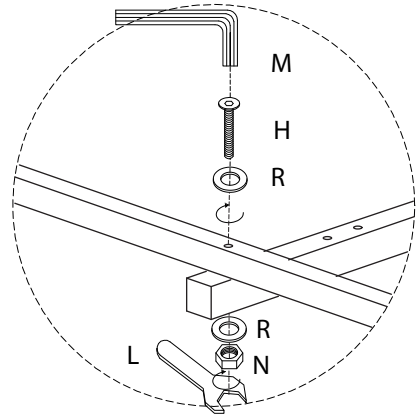
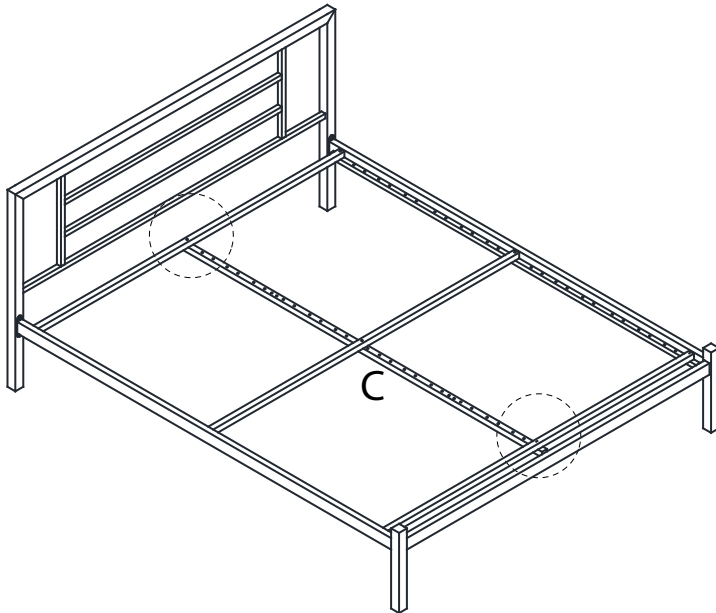
2

<p>D</p>  <p>x 3</p>	<p>N</p>  <p>x 6</p>	<p>L</p>  <p>x 1</p>	<p>M</p>  <p>x 1</p>	<p>I</p>  <p>M6 x 50 x 6</p>
---	---	---	---	---

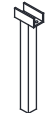
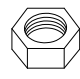
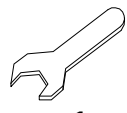
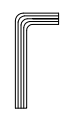
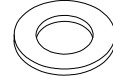

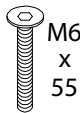


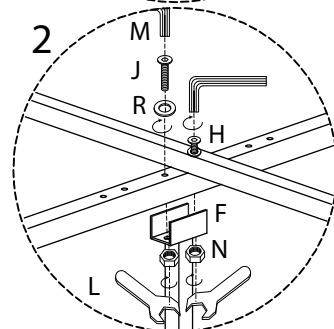
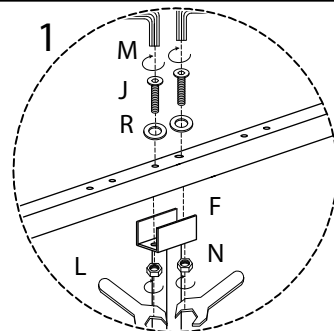
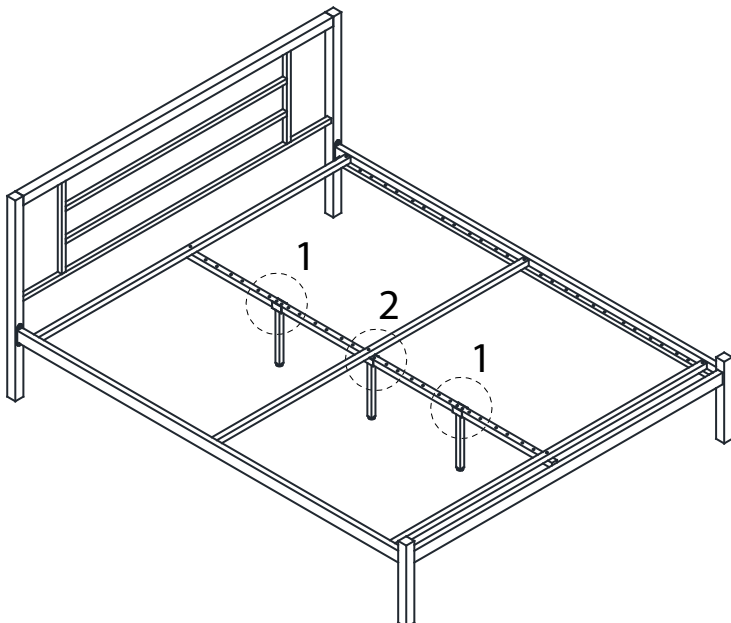
3

C	N	L	M	R	H
					
x 1	x 2	x 1	x 1	x 4	x 2

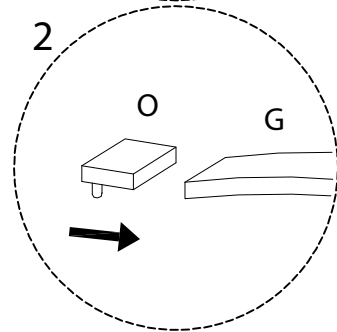
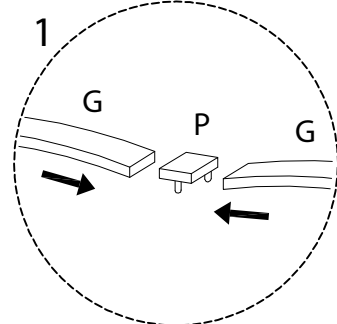
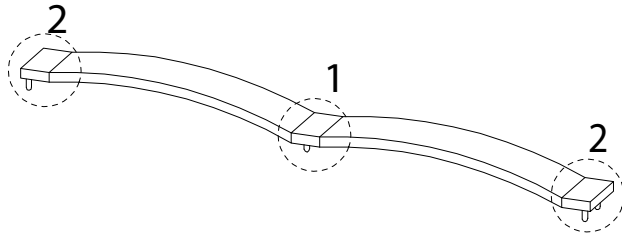
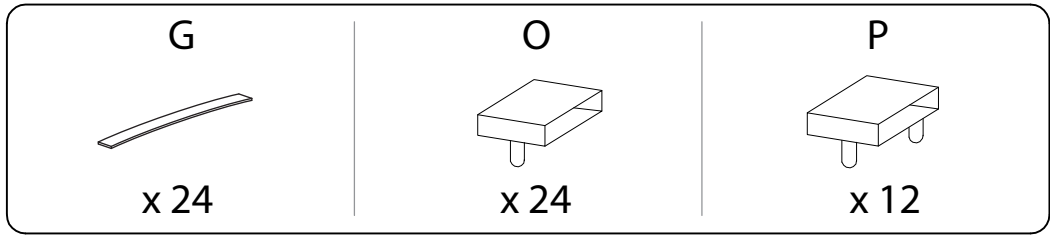


4

F	N	L	M	R	J	H
						
x 3	x 6	x 1	x 1	x 6	x 5	x 1



5



6

