



Paulmann

Safety Instructions

1,2,3,4,5,6,7,10,12,13,19,24,
29,31,32,33,34,



31.08.2021

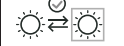


A++ - A

01.09.2021



G



www.paulmann.com/symbols

Paulmann Licht GmbH
Quezinger Feld 2
31832 Springe
Germany

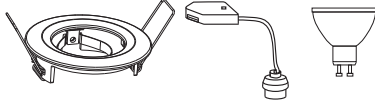


www.paulmann.com

Art.-Nr.: 935.93/935.94/
935.95/935.96/
935.97/935.98/
935.99/936.00/
936.31/936.32/
936.33/936.34/



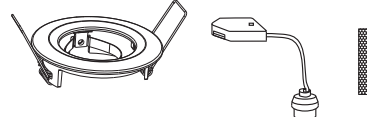
935.93/935.94/935.95/
935.96/935.97/935.98/
935.99/936.00/



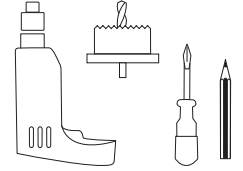
incl.



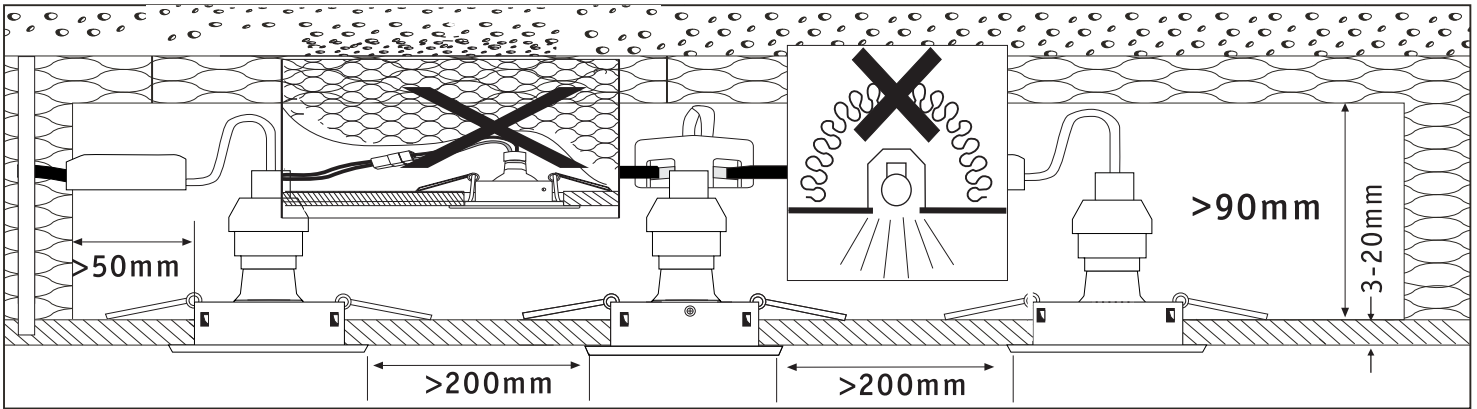
936.31/936.32/
936.33/936.34/



incl.



(+MA326)PBO 03/22



A Safety Instructions Nr. 5, 7 off

68mm (Ø68mm)

B Nr. 4, 5

1 7mm 14mm

230V

2 230V

3 IN 230V OUT 230V

C

D

E

F