

AREBOS

Hoist frame

AR-HE-SK1000



Please follow all security measures in this user's manual to ensure a secure use.



Thank you for trusting in AREBOS.

List of content

1. Safety information	3
1.1 Explanation of the symbols	3
1.2 General safety instructions	4
2. Area of application	4
3. Parts list	4
4. Installation and operation	5
5. Maintenance and cleaning.....	6
6. Technical information.....	6
7. Disposal instruction	6
7.1 Disposal of the packaging.....	6
7.2 Disposal of waste equipment.....	6

Please read and save these instructions. Read through this user's manual carefully before using

product. Protect yourself and others by observing all safety information, warnings and cautions. Failure to comply with instructions could result in personal injury and/or damage to product or property. Please retain instructions for future reference.

1. Safety information

1.1 Explanation of the symbols



By means of a CE marking, it can be recognized that a product complies with the legal requirements of European legal standards and therefore may be traded within the European Community.



Warning! Read the safety instructions carefully. Failure to follow the safety precautions could result in serious injury or damage. Keep the operating instructions in a safe place.



Warning! Wear ear protection!



Warning! Wear safety glasses!



Warning! Danger of crushing hands!



Take care when using the swivel arm!



This product has been tested and certified by TÜV Rheinland. The symbol "GS" stands for tested safety. Products marked with this symbol comply with the requirements of the German Product Safety Act (ProdSG).

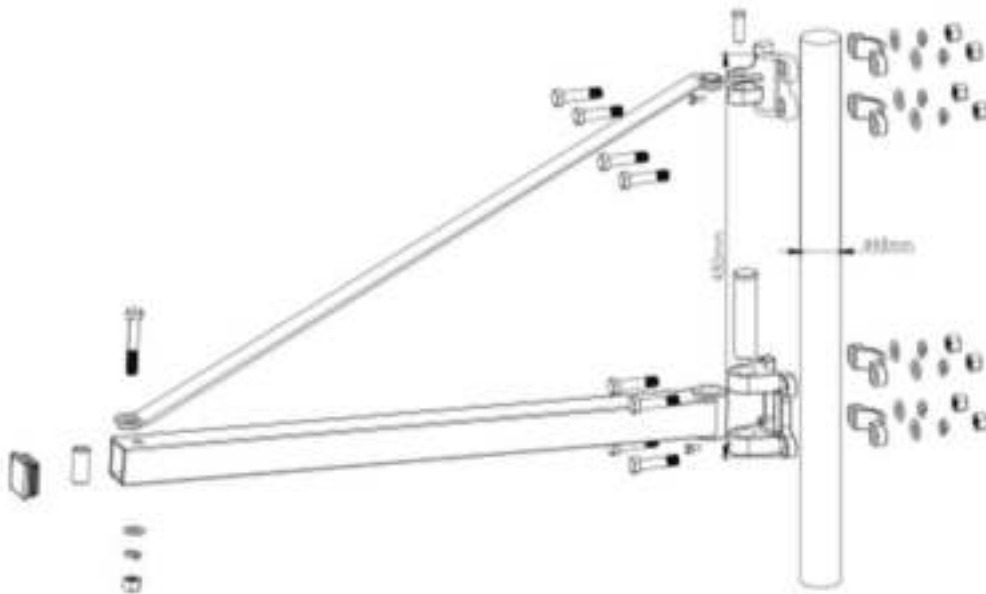
1.2 General safety instructions

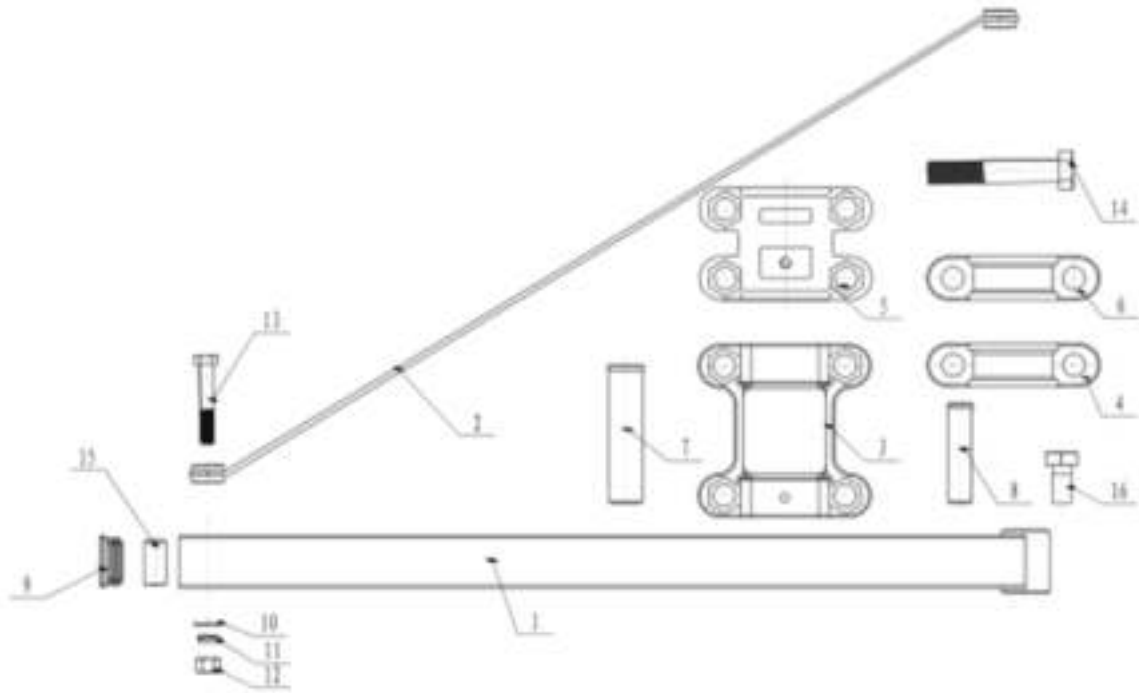
- Prior to operation, please be sure to check the tightness of all the components and connecting bolt, to check the possible damaged of frame arm and components.
- Do not overload the machine, in any case!
- It is prohibited to use the machine to transport person.
- Prevent children and helpers away from the work space while the machine is operated. Please be sure that children and other persons keep sufficient distance to the work space.
- Keep this device away from unauthorized persons. It is prohibited to operate this device for non-experienced persons.
- Please be sure to hang one hoist machine for one hoist frame. It is prohibited to suspend two or more hoist machines to operate.

2. Area of application

- This hoist frame is an ideal bracket to hang mini cable hoist.
- The suspended extension arm length of AR-HE-SK1000 is 29.53 in (750 mm), which is suitable for below 1000 kg hoist, such as different items 100/200 kg, 125/250 kg, 150/300 kg, 200/400 kg, 250/500 kg, 300/600 kg, 400/800 kg, 500/1000 kg.
- From the above, when the suspended arm is extended to 29.53 in (750 mm),, the maximum lifting weight is 2205 lbs (1000 kg).
- The rotation range of suspension arm is -90° to $+90^{\circ}$.

3. Parts list





No.	Description	Quantity
01	Supporting tube of frame	1
02	Frame connection strap	1
03	Front of down-permanent seat of frame supporting tube	1
04	Back of up-permanent seat of frame supporting tube	2
05	Front of up-permanent seat of frame supporting tube	1
06	Back of down-permanent seat of frame supporting tube	2
07	Down-permanent seat of frame supporting tube bolt	1
08	Up-permanent seat of frame supporting tube bolt	1
09	Tube plug	1
10	Flat washer	7
11	Spring washer	7
12	Nut M12	7
13	Hex bolts	1
14	Hex bolts	6
15	Hex bolts	1
16	Hex bolts	1

4. Installation and operation

- Installation area: 6.56 x 6.56 ft (2 x 2 m)
- Please be sure the cylinder pipe which the hoist frame is installed on be vertical and fixed, whose diameter is \varnothing 1.89 in (48 mm) and thickness is 0.158 in (4 mm), and be sure to use coarse cylinder pipe in order to increase friction force. In any case, please be sure the verticality and rigidity of cylinder pipe.
- Prior to operation, please inspect it for possible damaged components and missing parts.
- Please make sure the installation height is 18.9 in (480 mm), refer to the following drawing.
- Install the frame as per following drawing, please be sure the fasten torsion between the permanent seat of frame suspension arm and screw bolt 70 Nm.
- Please choose applicable hoist machine to use. Install the suspension arm tighten to make

sure any sliding.

- After installation, please be sure to make no-load test firstly at least 2 times and rotation test at 90°, and then add lifting load step by step.
- After finish the above test, please fasten the screw bolt and check torsion once again.

5. Maintenance and cleaning

- Regularly inspect all components for any damaged and deformation after using, especially pay more attention to the tightness of fasten bolts.

6. Technical information

Max. load capacity	2205 lbs (1000 kg)
Pivoting range	29.53 in (750 mm)
Swivel range	180°
Tube collar	Ø 1.89 in (48 mm)

7. Disposal instruction

7.1 Disposal of the packaging

- Please make reference to the guidelines and standards for appropriate disposal of the packaging valid in your region. In part, the package may consist of plastic bags - watch this respect, with special care to ensure that this is not out of the reach of children. There is a risk of suffocation!

7.2 Disposal of waste equipment

- Equipment must be disposed of in accordance with the rules and regulations of the local waste disposal.
- At the end of the long life of your item, please dispose of the valuable raw materials for proper disposal so that proper recycling can take place. If you are not sure how to proceed, the local waste disposal companies or recycling centers are happy to help.

Our customer service number: +49 (0) 931-45232700

EU Declaration of Conformity

We,

Canbolat Vertriebs GmbH, Gneisenaustraße 10-11, 97074 Würzburg, Germany,

Hereby declare that the product named below, seen its design and construction as well as according to our sales, has been complied with the relevant and basic health and safety EU-requirements.

Name of the product: Arebos Hoist Frame

Model Nr.: AR-HE-SK1000

Art. Nr.: 4260199757543

If the product has any modification not allowed by us, this declaration loses its validity.

Tested acc. to:

EU Standard:

2006/42/EC

Date/Manufacturer Signature/Location:

Würzburg, 18.03.2019



Identification of the signatory:

Korhan Canbolat, head of the company

Authorised representative for the technical documentation:

Korhan Canbolat

Office address:

Canbolat Vertriebs GmbH

Gneisenaustraße 10-11

D-97074 Würzburg

Return address can be found in the imprint: <https://www.arebos.de/impressum/>

VAT identification number: DE 263752326

Court of the Commercial Register is Würzburg, HRB 10082

WEEE Reg.-No. DE 61617071