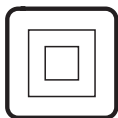


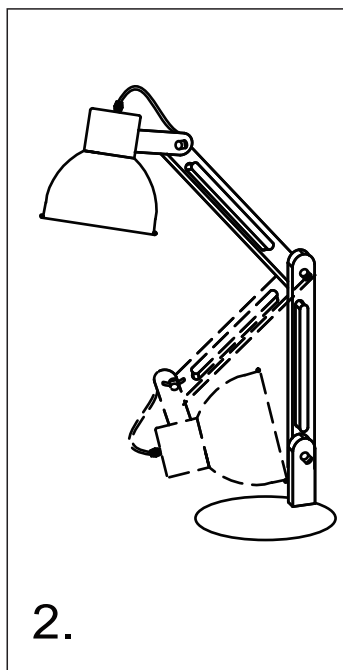
INSTRUCTION MANUAL



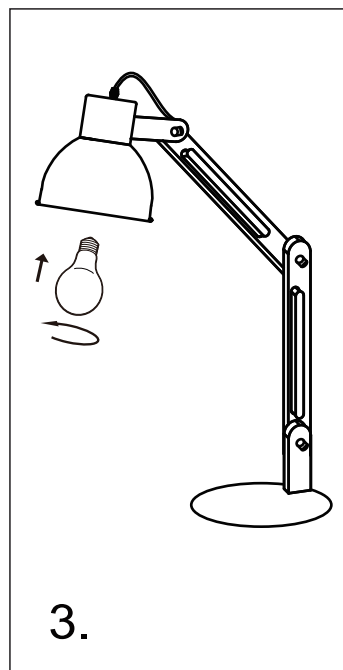
Woodi TL Wood Black
93573



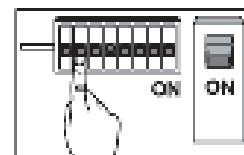
1.



2.



3.



4.

