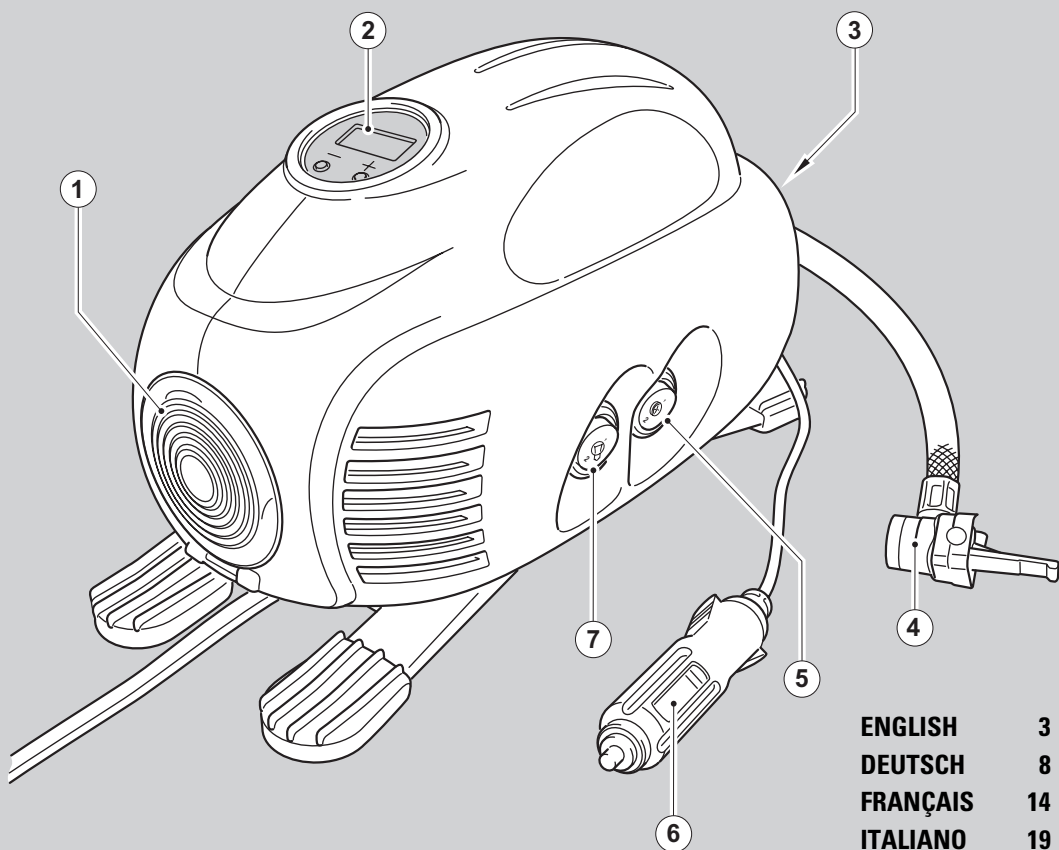
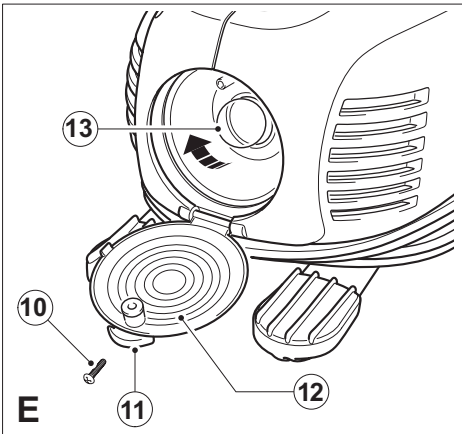
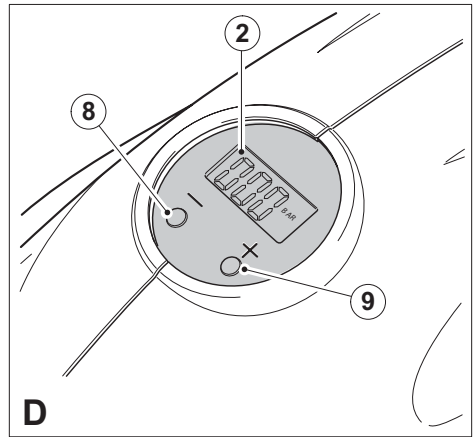
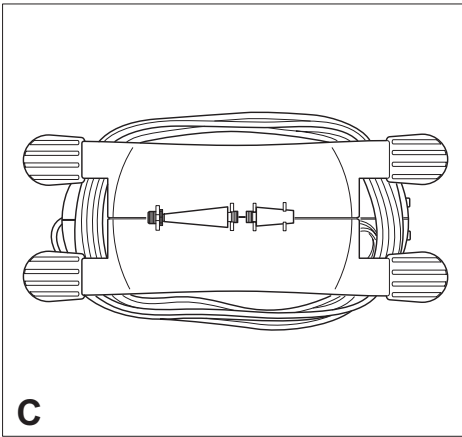
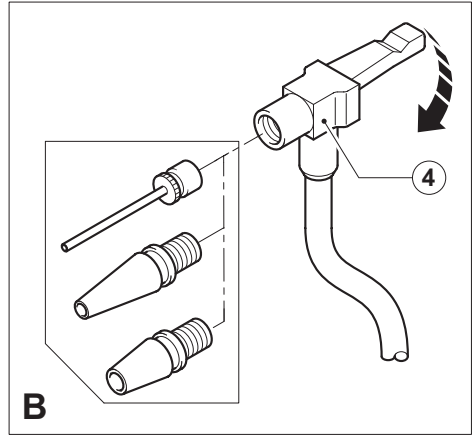
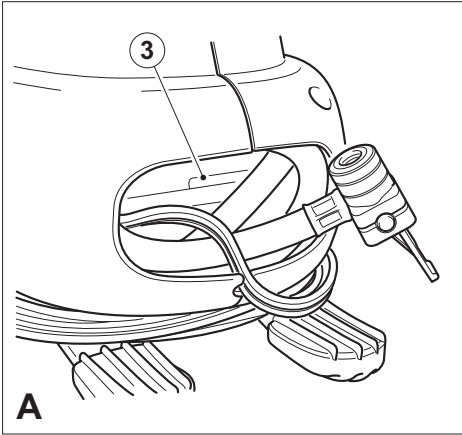


BLACK & DECKER®

www.blackanddecker.eu



ENGLISH	3
DEUTSCH	8
FRANÇAIS	14
ITALIANO	19
NEDERLANDS	24
ESPAÑOL	29
PORTUGUÊS	34
SVENSKA	39
NORSK	44
DANSK	49
SUOMI	54
ΕΛΛΗΝΙΚΑ	59



Intended use

Your Black & Decker inflator is designed to be used in most vehicles from the standard 12 Volt socket to inflate car and bike tyres, balls, rafts, swimming pool floats etc. This product is intended for household, consumer use only.

Safety instructions

Warning! When using battery-powered appliances, basic safety precautions, including the following, should always be followed to reduce the risk of fire, leaking batteries, personal injury and material damage.

- ◆ Read all of this manual carefully before using the appliance.
- ◆ The intended use is described in this manual. The use of any accessory or attachment or the performance of any operation with this appliance other than those recommended in this instruction manual may present a risk of personal injury.
- ◆ Retain this manual for future reference.

Using your appliance

Always take care when using the appliance.

- ◆ This appliance is not intended for use by young or infirm persons without supervision.
- ◆ The appliance is not to be used as a toy.
- ◆ Use in a dry location only. Do not allow the appliance to become wet.
- ◆ Do not immerse the appliance in water.
- ◆ Do not open body casing. There are no user-serviceable parts inside.
- ◆ Do not operate the appliance in explosive atmospheres, such as in the presence of flammable liquids, gases or dust.
- ◆ Only use the appliance in a well ventilated area.
- ◆ To reduce the risk of damage to plugs and cords never pull the cable to remove the plug from a socket.

Safety of others

- ◆ This appliance is not intended for use by persons (including children) with reduced physical, sensory or mental capabilities, or lack of experience and knowledge, unless they have been given supervision or instruction concerning use of the appliance by a person responsible for their safety.
- ◆ Children should be supervised to ensure that they do not play with the appliance.

After use

- ◆ When not in use, the appliance should be stored in a dry, well ventilated place out of the reach of children.
- ◆ Children should not have access to stored appliances.

- ◆ When the appliance is stored or transported in a vehicle it should be placed in the boot or restrained to prevent movement following sudden changes in speed or direction.
- ◆ The appliance should be protected from direct sunlight, heat and moisture.

Inspection and repairs

- ◆ Before use, check the appliance for damaged or defective parts. Check for breakage of parts, damage to switches and any other conditions that may affect its operation.
- ◆ Do not use the appliance if any part is damaged or defective.
- ◆ Have any damaged or defective parts repaired or replaced by an authorised repair agent.
- ◆ Never attempt to remove or replace any parts other than those specified in this manual.

Additional safety instructions for inflators

- ◆ For home and car use only. Inflate car and bike tyres, balls, swimming pool floats and more in and around the home.
- ◆ The compressed air from your inflator is not safe for breathing. Never inhale air from your inflator or from a breathing device connected to the inflator.
- ◆ Inflate items only to their manufacturer's recommendations. Exceeding the pressure rating could cause them to explode resulting in personal injury.
- ◆ Do not leave the inflator running unattended. It could burst tyres or other items.
- ◆ Since the vibrations produced by the inflator may cause it to "walk", do not operate on a high shelf or other surface. Operate at ground or bench level only.
- ◆ Do not modify or attempt to repair. Never drill into, weld, or make any modifications to the inflator or its attachments.
- ◆ Do not operate the inflator when the engine is running.
- ◆ Operate only with the accessories included or those rated for 8.28 bar/120 psi or higher. The use of any accessory not recommended for use with this tool could be hazardous.
- ◆ Do not play with the tool. High pressure air is dangerous. Do not direct air-flow at yourself or others.
- ◆ The inflator can become hot during use. Allow the inflator to cool for 30 minutes before storing away.
- ◆ Never carry the inflator by the hose.
- ◆ Do not direct the nozzle or hose at animals or bystanders.
- ◆ Store the inflator out of reach of small children.
- ◆ The gauge is intended as a guide only. Tyre pressures should be regularly checked with a certified gauge.

- ◆ Before use, check the power supply cord for signs of damage, ageing and wear.
- ◆ Do not use the appliance if the power supply cord or mains plug is damaged or defective (where applicable).

Labels on tools

The following pictograms are shown on the tool:



Warning! To reduce the risk of injury, the user must read the instruction manual.



Do not expose the appliance to rain or high humidity



Before performing maintenance or cleaning on the appliance, unplug the supply cord.



Do not leave the inflator unattended.

Features

1. Area light
2. Pressure gauge
3. Storage location for air hose and 12 Volt adaptor
4. Air hose with universal valve adaptor
5. On/off switch
6. 12 Volt adaptor
7. Area light on/off switch

Use

Air hose and cord storage (fig. A)

Wrap the dc cord around the base of the unit and then put the air hose (4) and the 12 Volt adaptor (6) into the storage location (3).

Fitting the accessories (fig. B and C)

Your inflator is supplied with the standard tapered nozzles and the needle inflator nozzle, these are located on the base of the unit (fig. C).

- ◆ To use the universal valve adaptor, make sure that the lever is in the up position.
- ◆ Place the valve adapter over the stem of the inflation needle or tapered nozzle (fig. B).
- ◆ Press the lever on the valve adapter down to lock it in place.
- ◆ Place the inflation needle or tapered nozzle into the item to be inflated.

Note: Always make sure that the lever is in the up position when not in use.

Operate your Inflator only with the universal valve adaptor or with the included nozzles.

Note: Make sure that the universal valve adaptor is firmly locked in place before turning the Inflator on.

Many inflatables have an internal flap that prevents air loss during inflation. Unless this flap is displaced by the nozzle the inflatable will not inflate. Push the nozzle firmly into the valve to make sure that you push this flap out of the way.

Store the inflation needle inside one of the tapered nozzles and snap the tapered nozzles into the storage slots located on the bottom of the Inflator (fig. C).

Warning! Excessive air pressure may cause a hazardous risk of bursting or personal injury. Check the manufacturer's maximum pressure rating for the items being inflated.

Note: If the pressure rating for the item being inflated is above 100 psi, note that the maximum run time is 10 minutes, leave to rest for 20 minutes before re-use.

Operating the inflator

Warning! Do not operate the inflator when the car engine is running.

Note: Make sure that your 12 Volt accessory socket is live. On some vehicles the accessory socket may only become live when the ignition key is in the accessory position.

To power the display

- ◆ Always fully extend the 12 Vdc cord before each use.
- ◆ Connect the 12 Volt adaptor (6) into the vehicle's 12 Volt accessory socket.
- ◆ To enable the inflator to operate you must set the required units (psi, bar or kPa) and a pressure valve.

Setting the required pressure (fig. D)

Warning! Do not leave the inflator running unattended. It could burst tyres or other items.

Note: You must set the automatic shut-off feature before the unit will operate.

- ◆ To switch between the different units (kPa, psi or bar), press buttons 8 & 9 at the same time until the required units are displayed.
- ◆ Press and hold button 8 or 9 for 3 seconds until the display flashes.
- ◆ While the display is flashing press the - or + buttons (8 & 9) until the required pressure is displayed.
- ◆ After 3 seconds the display will flash and return to a reading of "0.0". This is normal.
- ◆ Connect the universal valve adaptor and accessories, if required, to the item to be inflated, making sure that the lever of the valve adaptor is in the down position to lock it in place.
- ◆ To turn the inflator on, press the on/off switch (5) to the I position.

- ◆ When the item to be inflated has reached the preset value the unit will automatically turn off.
- ◆ To turn the inflator off press switch (5) to the 0 position.
- ◆ Remove the valve adaptor or accessory from the inflated item and the 12 Volt adaptor (6) from your vehicle's 12 Volt accessory socket.

Note: If the 12 Volt adaptor is removed from the vehicles 12 Volt accessory socket, all settings will be lost and will need to be re-entered following the instructions under the heading 'Setting the required pressure'.

Operating the area light

- ◆ To operate the area light (1), make sure that the 12 Volt adaptor (6) is plugged into the vehicle's 12 Volt accessory socket.

Note: Make sure that your 12 Volt accessory socket is live. On some vehicles the accessory socket may only become live when the ignition key is in the accessory position.

- ◆ To turn the area light on, press the area light on/off switch (7) located on the side of the unit to the I position.
- ◆ To turn the area light off, press the area light on/off switch (7) located on the side of the unit to the 0 position.

To replace the bulb (fig. E)

Warning! Make sure that the 12 Volt adaptor is not connected before starting this procedure.

- ◆ Remove the screw (10) from the top of the lens cover (12).
- ◆ Pull the lens cover (12) down using the tab (11) to get access to the bulb (13).
- ◆ To remove the bulb, push in and turn clockwise (fig. E).
- ◆ Replace the bulb (13) with a one of the same type and wattage (12V/5W).
- ◆ Fit the lens cover (12) and secure with the screw (10).

Using your inflator as a pressure gauge

- ◆ Make sure that the unit is powered as described in the section 'Operating the Inflator'.
- ◆ Connect the universal valve adaptor and accessories if required to the item to be inflated making sure that the lever of the valve adaptor is in the down position to lock it in place.
- ◆ The display will now show the actual pressure value in the item.

Maintenance

Your Black & Decker corded/cordless appliance/tool has been designed to operate over a long period of time with a minimum of maintenance. Continuous satisfactory operation depends upon proper tool care and regular cleaning.

Warning! Before performing any maintenance on corded/cordless power tools:

- ◆ Switch off and unplug the appliance/tool.
- ◆ Or switch off and remove the battery from the appliance/tool if the appliance/tool has a separate battery pack.
- ◆ Or run the battery down completely if it is integral and then switch off.
- ◆ Unplug the charger before cleaning it. Your charger does not require any maintenance apart from regular cleaning.

Regularly clean the ventilation slots in your appliance/tool/charger using a soft brush or dry cloth.

Regularly clean the motor housing using a damp cloth. Do not use any abrasive or solvent-based cleaner.

Regularly open the chuck and tap it to remove any dust from the interior (when fitted).

Troubleshooting

Problem	Possible cause	Possible solution
Inflator will not operate	12 Volt adaptor not connected	Connect the 12 Volt adaptor
	Accessory socket not live	Turn key to accessory position
	No preset valve set	Set preset value
	The fuse in the 12 Volt adaptor is blown	Replace the fuse with one of the same size and type (8A/250V)
	Cord or switch is damaged.	Have the cord or switch replaced at a Black & Decker Service Centre or Authorized Service Centre.

Replacing the fuse in the vehicle dc accessory plug

- ◆ Remove the cap by turning it counter-clockwise.
- ◆ Loosen the cap and centre pin.
- ◆ Remove the fuse.
- ◆ Fit a new fuse of the same type and size (8A/250V).
- ◆ Refit the cap and centre pin.
- ◆ Tighten the cap by turning clockwise onto the plug.

Protecting the environment



Separate collection. This product must not be disposed of with normal household waste.

Should you find one day that your Black & Decker product needs replacement, or if it is of no further use to you, do not dispose of it with household waste. Make this product available for separate collection.



Separate collection of used products and packaging allows materials to be recycled and used again.

Re-use of recycled materials helps prevent environmental pollution and reduces the demand for raw materials.

Local regulations may provide for separate collection of electrical products from the household, at municipal waste sites or by the retailer when you purchase a new product.

Black & Decker provides a facility for the collection and recycling of Black & Decker products once they have reached the end of their working life. To take advantage of this service please return your product to any authorised repair agent who will collect them on our behalf.

You can check the location of your nearest authorised repair agent by contacting your local Black & Decker office at the address indicated in this manual. Alternatively, a list of authorised Black & Decker repair agents and full details of our after-sales service and contacts are available on the Internet at: www.2helpU.com.

Batteries



At the end of their useful life, discard batteries with due care for our environment:

- ◆ Do not short-circuit the battery terminals.
- ◆ Do not dispose of the battery(s) in a fire as this may result in a risk of personal injury or an explosion.
- ◆ Run the battery down completely, then remove it from the tool.
- ◆ Batteries are recyclable. Place the battery(s) in a suitable packaging to ensure that the terminals cannot be short-circuited. Take them to any authorised repair agent or a local recycling station.

Technical data

	ASI200
Input voltage	Vdc 12
Input current	A 8
Pressure (max)	kPa / psi / bar 827 / 120 / 8.27
Weight	kg 1.12

EC declaration of conformity

ASI200 H1

Black & Decker declares that these products conform to:
Standards & Legislation.
EN60335, 2006/95/EC

The undersigned is responsible for compilation of the technical file and makes this declaration on behalf of
Black & Decker

Kevin Hewitt
Director of Consumer Engineering
Spennymoor, County Durham DL16 6JG,
United Kingdom
09-07-2009

Guarantee

Black & Decker is confident of the quality of its products and offers an outstanding guarantee. This guarantee statement is in addition to and in no way prejudices your statutory rights. The guarantee is valid within the territories of the Member States of the European Union and the European Free Trade Area.

If a Black & Decker product becomes defective due to faulty materials, workmanship or lack of conformity, within 24 months from the date of purchase, Black & Decker guarantees to replace defective parts, repair products subjected to fair wear and tear or replace such products to make sure of the minimum inconvenience to the customer unless:

- ◆ The product has been used for trade, professional or hire purposes.
- ◆ The product has been subjected to misuse or neglect.
- ◆ The product has sustained damage through foreign objects, substances or accidents.
- ◆ Repairs have been attempted by persons other than authorised repair agents or Black & Decker service staff.

To claim on the guarantee, you will need to submit proof of purchase to the seller or an authorised repair agent. You can check the location of your nearest authorised repair agent by contacting your local Black & Decker office at the address indicated in this manual. Alternatively, a list of authorised Black & Decker repair agents and full details of our after-sales service and contacts are available on the Internet at: **www.2helpU.com**

Please visit our website **www.blackanddecker.co.uk** to register your new Black & Decker product and to be kept up to date on new products and special offers. Further information on the Black & Decker brand and our range of products is available at **www.blackanddecker.co.uk**.

Bestimmungsgemäße Verwendung

Ihr Black & Decker Kompressor wurde zum Aufpumpen von Auto- und Fahrradreifen, Bällen, Schlauchbooten, Schwimmkörpern usw. mithilfe der in den meisten Fahrzeugen vorhandenen 12-V-Standardsteckdose entwickelt. Dieses Gerät ist nicht für den gewerblichen Einsatz vorgesehen.

Sicherheitshinweise

Achtung! Beachten Sie beim Umgang mit akkubetriebenen Geräten stets die grundlegenden Sicherheitshinweise, einschließlich der folgenden. Dadurch verhindern Sie weitgehend das Entstehen von Bränden, das Auslaufen von Akkus sowie Sach- und Personenschäden.

- ◆ Lesen Sie diese Anleitung vollständig und aufmerksam durch, bevor Sie das Gerät zum ersten Mal verwenden.
- ◆ Der vorgesehene Verwendungszweck ist in dieser Anleitung beschrieben. Bei Verwendung von Zubehör oder Anbauteilen, die nicht in dieser Anleitung empfohlen werden, sowie bei der Verwendung des Geräts in Abweichung von den in dieser Anleitung beschriebenen Verfahren besteht Verletzungsgefahr.
- ◆ Bewahren Sie diese Anleitung auf.

Verwendung des Geräts

Verwenden Sie das Gerät stets mit Umsicht.

- ◆ Das Gerät ist nicht für die unbeaufsichtigte Verwendung durch Kinder oder gebrechliche Personen vorgesehen.
- ◆ Das Gerät ist kein Spielzeug.
- ◆ Verwenden Sie das Gerät nur in trockener Umgebung. Achten Sie darauf, dass das Gerät nicht nass wird.
- ◆ Tauchen Sie das Gerät nicht in Wasser.
- ◆ Versuchen Sie nicht, das Gehäuse zu öffnen. Im Inneren befinden sich keine vom Benutzer zu wartenden Teile.
- ◆ Betreiben Sie das Gerät nicht in Umgebungen, in denen Explosionsgefahr besteht, z. B. aufgrund von brennbaren Flüssigkeiten, Gasen oder Staub.
- ◆ Während der Verwendung des Geräts muss auf ausreichende Belüftung geachtet werden.
- ◆ Ziehen Sie niemals am Kabel, wenn Sie den Stecker aus der Steckdose ziehen möchten. Kabel und Stecker könnten sonst beschädigt werden.

Sicherheit anderer Personen

- ◆ Dieses Gerät darf nicht von Personen (einschließlich Kindern) mit eingeschränkten körperlichen, sensorischen oder geistigen Fähigkeiten sowie mangelnder Erfahrung und Wissen in Bezug auf dessen Gebrauch bedient werden, es sei denn, sie werden bei der Verwendung des Geräts von einer für die Sicherheit verantwortlichen Person beaufsichtigt oder angeleitet.

- ◆ Kinder müssen beaufsichtigt werden, um sicherzustellen, dass sie nicht mit dem Gerät spielen.

Nach dem Gebrauch

- ◆ Bewahren Sie das Gerät bei Nichtgebrauch an einem trockenen, gut belüfteten Ort außerhalb der Reichweite von Kindern auf.
- ◆ Kinder sollten keinen Zugang zu aufbewahrten Geräten haben.
- ◆ Wenn das Gerät in einem Fahrzeug transportiert oder gelagert wird, bewahren Sie es im Kofferraum oder einer geeigneten Ablage auf, damit es bei plötzlichen Geschwindigkeits- oder Richtungsänderungen nicht in Bewegung geraten kann.
- ◆ Schützen Sie das Gerät vor direkter Sonneneinstrahlung, Hitze und Feuchtigkeit.

Inspektion und Reparaturen

- ◆ Prüfen Sie das Gerät vor der Verwendung auf beschädigte oder defekte Teile. Prüfen Sie, ob Teile gebrochen sind, Schalter beschädigt wurden oder andere Bedingungen vorliegen, die die Funktion beeinträchtigen können.
- ◆ Betreiben Sie das Gerät nicht, wenn ein Teil beschädigt oder defekt ist.
- ◆ Lassen Sie beschädigte oder defekte Teile in einer Vertragswerkstatt reparieren oder austauschen.
- ◆ Ersetzen oder entfernen Sie keine Teile, für die in dieser Anleitung keine entsprechende Beschreibung enthalten ist.

Zusätzliche Sicherheitshinweise für Kompressoren

- ◆ Nur für den Gebrauch im Heim- und Fahrzeugbereich. Zum Aufpumpen von Auto- und Fahrradreifen, Bällen, Schwimmkörpern usw. in und rund um das Heim.
- ◆ Die Druckluft aus dem Kompressor darf nicht eingeatmet werden. Inhalieren Sie niemals die Luft aus dem Kompressor oder einem am Kompressor befestigten Atmungsgerät.
- ◆ Folgen Sie beim Aufpumpen von Gegenständen immer den jeweiligen Empfehlungen der Hersteller. Das Überschreiten der zugelassenen Luftdruckwerte kann zum Explodieren der Gegenstände und somit zu Verletzungen führen.
- ◆ Lassen Sie den Kompressor während des Betriebs nicht unbeaufsichtigt. Reifen bzw. andere aufzublasende Gegenstände könnten platzen.
- ◆ Bei Betrieb vibriert der Kompressor, dadurch „bewegt“ er sich. Platzieren Sie ihn daher niemals auf einer hohen Ablage. Betreiben Sie das Gerät nur auf Boden- oder Werkbankhöhe.

- ◆ Der Kompressor darf nicht selbständig repariert oder in sonstiger Weise verändert werden. Nehmen Sie keine Bohrungen, Verschweißungen oder andere Änderungen am Kompressor oder an den Aufsätzen vor.
- ◆ Betreiben Sie den Kompressor nicht bei laufendem Motor.
- ◆ Betreiben Sie das Gerät nur mit den gelieferten Zubehörteilen oder mit Komponenten, die für einen Druck von mindestens 8,28 bar/120 psi entwickelt wurden. Der Gebrauch von Zubehörteilen, die nicht für den Gebrauch mit dem Gerät empfohlen werden, kann gefährlich sein.
- ◆ Spielen Sie nicht mit dem Gerät. Hohe Druckluft ist gefährlich. Richten Sie den Luftstrom niemals auf sich selbst oder andere Personen.
- ◆ Der Kompressor kann während des Betriebs heiß werden. Lassen Sie den Kompressor nach Gebrauch 30 Minuten abkühlen, bevor Sie ihn verstauen.
- ◆ Tragen Sie den Kompressor niemals am Schlauch.
- ◆ Richten Sie Aufblasstutzen und -schlauch niemals auf Personen oder Tiere.
- ◆ Bewahren Sie den Kompressor außerhalb der Reichweite von Kindern auf.
- ◆ Die Druckanzeige zeigt nur einen ungefähren Wert an. Der Reifendruck sollte regelmäßig mit einem speziellen Messgerät geprüft werden.
- ◆ Prüfen Sie vor der Inbetriebnahme das Netzkabel auf Beschädigungen und Verschleiß.
- ◆ Nehmen Sie das Gerät nicht in Betrieb, wenn das Netzkabel oder der Netzstecker beschädigt oder defekt ist.

Warnsymbole am Gerät

Am Gerät sind folgende Warnsymbole angebracht:



Achtung! Lesen Sie vor Gebrauch die Anleitung. Andernfalls besteht Verletzungsgefahr.



Schützen Sie das Gerät vor Feuchtigkeit und Regen.



Ziehen Sie das Netzkabel aus der Steckdose, bevor Sie mit Wartungs- oder Reinigungsarbeiten am Gerät beginnen.



Lassen Sie den Kompressor niemals unbeaufsichtigt.

Merkmale

1. Beleuchtung
2. Druckanzeige
3. Aufbewahrungsfach für den Luftschlauch und den 12-Volt-Adapter
4. Luftschlauch mit Universalventiladapter
5. Ein-/Ausschalter
6. 12-Volt-Adapter
7. Ein-/Ausschalter für die Beleuchtung

Gebrauch

Aufbewahrungsfach für Luftschlauch und Kabel (Abb. A)

Wickeln Sie das Gleichstromkabel um die Unterseite des Geräts, und verstauen Sie den Luftschlauch (4) und den 12-Volt-Adapter (6) im Aufbewahrungsfach (3).

Anbringen des Zubehörs (Abb. B und C)

Ihr Kompressor wird mit den kegelförmigen Standardstutzen und einem Nadelstutzen geliefert. Diese befinden sich am Gehäuse des Geräts (Abb. C).

- ◆ Stellen Sie bei der Verwendung des Universalventiladapters sicher, dass sich der Hebel in der aufrechten Stellung befindet.
- ◆ Stülpen Sie den Ventiladapter über den Nadelstutzen oder den kegelförmigen Stutzen (Abb. B).
- ◆ Drücken Sie den Hebel am Ventiladapter herunter, bis der Ventiladapter eingerastet ist.
- ◆ Stecken Sie den Nadelstutzen oder den kegelförmigen Stutzen in das aufzublasende Objekt.

Hinweis: Stellen Sie sicher, dass sich der Hebel stets in der aufrechten Stellung befindet, wenn das Gerät nicht verwendet wird.

Betreiben Sie den Kompressor nur mit dem Universalventiladapter oder den mitgelieferten Stutzen.

Hinweis: Stellen Sie sicher, dass der Universalventiladapter vor dem Einschalten des Kompressors fest eingerastet ist.

Viele aufzublasende Gegenstände verfügen über eine eingebaute Ventilklappe, die das Austreten von Luft während des Aufpumpens verhindern soll. Wenn diese Klappe nicht durch einen Stutzen weggedrückt wird, kann dieser Gegenstand nicht aufgeblasen werden. Drücken Sie den Stutzen fest in das Ventil, damit die Ventilklappe weggedrückt wird.

Stecken Sie den Nadelstutzen zur Aufbewahrung in einen der kegelförmigen Stutzen, und befestigen Sie die kegelförmigen Stutzen in den dafür vorgesehenen Aussparungen an der Unterseite des Kompressors (Abb. C).

Achtung! Zu hoher Luftdruck kann zum Platzen von Objekten und Personenschäden führen. Prüfen Sie die vom Hersteller der aufblasbaren Gegenstände zugelassenen Druckluftwerte.

Hinweis: Beachten Sie bei Gegenständen mit einem Luftdruckwert über 100 psi, dass die maximale Betriebsdauer des Kompressors bei 10 Minuten liegt. Warten Sie vor der erneuten Verwendung 20 Minuten.

Betreiben des Kompressors

Achtung! Betreiben Sie den Kompressor nicht bei laufendem Automotor.

Hinweis: Vergewissern Sie sich, dass am 12-Volt-Anschluss Spannung anliegt. Bei einigen Fahrzeugen kann der Anschluss nur verwendet werden, wenn sich das Zündschloss in der Stellung befindet, in der elektrische Verbraucher mit Strom versorgt werden.

So verwenden Sie die Anzeige

- ◆ Wickeln Sie das 12-Volt-Gleichspannungskabel vor jedem Gebrauch vollständig ab.
- ◆ Verbinden Sie den 12-Volt-Adapter (6) mit dem 12-Volt-Anschluss des Fahrzeugs.
- ◆ Zum Betreiben des Kompressors müssen Sie die erforderlichen Einheiten (psi, bar oder kPa) und einen Wert für den Druck festlegen.

Festlegen des erforderlichen Drucks (Abb. D)

Achtung! Lassen Sie den Kompressor während des Betriebs nicht unbeaufsichtigt. Reifen bzw. andere aufzublasende Gegenstände könnten platzen.

Hinweis: Sie müssen die automatische Abschaltung aktivieren, bevor Sie das Gerät betreiben können.

- ◆ Drücken Sie die Tasten 8 und 9 gleichzeitig, um die Druckeinheit (kPa, psi oder bar) zu wechseln, bis die erforderliche Einheit angezeigt wird.
- ◆ Halten Sie die Taste 8 oder 9 drei Sekunden gedrückt, bis die Anzeige blinkt.
- ◆ Drücken Sie während die Anzeige blinkt die Taste - oder + (8 und 9), bis der erforderliche Druck angezeigt wird.
- ◆ Nach 3 Sekunden blinkt die Anzeige und zeigt erneut den Wert „0,0“ an. Dies entspricht dem normalen Betrieb.
- ◆ Bringen Sie ggf. den Universalventiladapter und das gewünschte Zubehör an dem aufzublasenden Gegenstand an, und stellen Sie sicher, dass sich der Hebel in der unteren Stellung befindet, um diesen zu sichern.
- ◆ Stellen Sie zum Einschalten des Kompressors den Ein-/Ausschalter (5) in die Position I.

- ◆ Das Gerät wird automatisch ausgeschaltet, wenn der aufzublasende Gegenstand den voreingestellten Druck erreicht hat.
- ◆ Stellen Sie zum Ausschalten des Kompressors den Ein-/Ausschalter (5) in die Position 0.
- ◆ Entfernen Sie den Ventiladapter bzw. das Zubehör von dem aufzublasenden Gegenstand, und trennen Sie den 12-Volt-Adapter (6) von dem 12-Volt-Anschluss des Fahrzeugs.

Hinweis: Wenn der 12-Volt-Adapter vom 12-Volt-Anschluss des Fahrzeugs getrennt wird, werden alle Einstellungen gelöscht und müssen mithilfe der Anweisungen im Abschnitt „Festlegen des erforderlichen Drucks“ erneut vorgenommen werden.

Betrieb der Beleuchtung

- ◆ Stellen Sie zum Betreiben der Beleuchtung (1) sicher, dass der 12-Volt-Adapter (6) an den 12-Volt-Anschluss des Fahrzeugs angeschlossen ist.

Hinweis: Vergewissern Sie sich, dass an dem 12-Volt-Anschluss Spannung anliegt. Bei einigen Fahrzeugen kann der Anschluss nur verwendet werden, wenn sich das Zündschloss in der Stellung befindet, in der elektrische Verbraucher mit Strom versorgt werden.

- ◆ Stellen Sie zum Einschalten der Beleuchtung den Ein-/Ausschalter für die Beleuchtung (7) an der Seite des Geräts auf die Position I.
- ◆ Stellen Sie zum Ausschalten der Beleuchtung den Ein-/Ausschalter für die Beleuchtung (7) an der Seite des Geräts auf die Position 0.

So wechseln Sie die Lampe aus (Abb. E)

Achtung! Stellen Sie bevor Sie beginnen sicher, dass der 12-Volt-Adapter nicht angeschlossen ist.

- ◆ Entfernen Sie die Schraube (10) an der Oberseite der Linienabdeckung (12).
- ◆ Ziehen Sie die Linienabdeckung (12) mithilfe der Nase (11) nach unten, um Zugang zur Lampe (13) zu erhalten.
- ◆ Drücken Sie die Lampe zum Entfernen nach innen, und drehen Sie die Lampe im Uhrzeigersinn (Abb. E).
- ◆ Ersetzen Sie die Lampe (13) durch eine Lampe desselben Typs und derselben Leistung (12 V/5 W).
- ◆ Bringen Sie die Linienabdeckung (12) an, und befestigen Sie diese mit der Schraube (10).

Verwenden des Kompressors als Druckanzeige

- ◆ Stellen Sie sicher, dass das Gerät angeschlossen ist, wie im Abschnitt „Betreiben des Kompressors“ beschrieben.
- ◆ Bringen Sie ggf. den Universalventiladapter und das gewünschte Zubehör an dem aufzublasenden Gegenstand an, und stellen Sie sicher, dass sich der Hebel in der unteren Stellung befindet, um diesen zu sichern.
- ◆ Auf der Anzeige wird der aktuelle Druck des Gegenstands angezeigt.

Wartung

Ihr Black & Decker Gerät (mit und ohne Netzkabel) wurde im Hinblick auf eine lange Lebensdauer und einen möglichst geringen Wartungsaufwand entwickelt. Ein dauerhafter, einwandfreier Betrieb setzt regelmäßige Pflege und Reinigung voraus.

Achtung! Vor dem Ausführen jeglicher Wartungsarbeiten an Geräten mit und ohne Netzkabel:

- ◆ Schalten Sie das Gerät aus, und ziehen Sie den Netzstecker.
- ◆ Wenn das Gerät über einen separaten Batteriepack oder Akku verfügt, schalten Sie das Gerät ab, und entnehmen Sie die Batterien aus dem Gerät.
- ◆ Wenn der Akku integriert ist, entladen Sie diesen vor dem Abschalten vollständig.
- ◆ Trennen Sie das Ladegerät vor dem Reinigen von der Netzsteckdose. Das Ladegerät benötigt keine Wartung, es sollte jedoch regelmäßig gereinigt werden.

Reinigen Sie regelmäßig die Lüftungsschlitze des Geräts und des Ladegeräts mit einer weichen Bürste oder einem trockenen Tuch.

Reinigen Sie das Motorgehäuse regelmäßig mit einem feuchten Tuch. Verwenden Sie keine scheuernden Reinigungsmittel oder Reinigungsmittel auf Lösungsmittelbasis.

Öffnen Sie regelmäßig das Spannfutter, und entfernen Sie durch Klopfen ggf. Staub aus dem Inneren des Geräts.

Problembhebung

Problem	Mögliche Ursache	Mögliche Lösung
Der Kompressor funktioniert nicht.	Der 12-Volt-Adapter ist nicht angeschlossen.	Schließen Sie den 12-Volt-Adapter an.
	Am Anschluss liegt keine Spannung an.	Bringen Sie den Zündschlüssel in die Position, in der der Anschluss mit Spannung versorgt wird.
	Es ist kein Wert für die Voreinstellung ausgewählt.	Wählen Sie einen Wert für die Voreinstellung aus.
	Die Sicherung des 12-Volt-Adapters ist durchgebrannt.	Ersetzen Sie diese mit einer Sicherung derselben Größe und desselben Typs (8 A/250 V).
	Das Kabel oder der Schalter ist defekt.	Lassen Sie das Kabel oder den Schalter in einer Black & Decker Vertragswerkstatt oder einer anderen autorisierten Werkstatt austauschen.

Ersetzen der Sicherung im Stecker für den Zigarettenanzünder

- ◆ Entfernen Sie die Kappe durch Drehung gegen den Uhrzeigersinn.
- ◆ Lösen Sie die Kappe und den Zentrierstift.
- ◆ Nehmen Sie die Sicherung heraus.
- ◆ Setzen Sie eine neue Sicherung desselben Typs und derselben Größe (8 A/250 V) ein.
- ◆ Bringen Sie Kappe und Zentrierstift wieder an.
- ◆ Drehen Sie die Kappe im Uhrzeigersinn fest.

Umweltschutz



Getrennte Entsorgung. Dieses Produkt darf keinesfalls mit dem Hausmüll entsorgt werden.

Sollten Sie Ihr Black & Decker Produkt eines Tages ersetzen oder nicht mehr benötigen, entsorgen Sie es nicht mit dem Hausmüll. Führen Sie das Produkt einer getrennten Sammlung zu.



Durch die separate Sammlung von ausgedienten Produkten und Verpackungsmaterialien können Rohstoffe recycelt und wiederverwendet werden. Die Wiederverwendung aufbereiteter Materialien trägt zur Vermeidung der Umweltverschmutzung bei und senkt den Rohstoffbedarf.

Die Verordnung zur Abfallentsorgung Ihrer Gemeinde sieht möglicherweise vor, dass Elektrogeräte getrennt vom Hausmüll gesammelt an der örtlichen Abfallentsorgungseinrichtung abgegeben oder beim Kauf eines neuen Produkts vom Fachhandel zur Entsorgung angenommen werden müssen.

Black & Decker nimmt Ihre ausgedienten Black & Decker Geräte gern zurück und sorgt für eine umweltfreundliche Entsorgung bzw. Wiederverwertung. Um diese Dienstleistung in Anspruch zu nehmen, geben Sie das Gerät bitte bei einer autorisierten Reparaturwerkstatt ab, die für uns die Einsammlung übernimmt.

Bitte fragen Sie Ihre zuständige Black & Decker Niederlassung (Adresse in dieser Anleitung) nach einer Vertragswerkstatt in Ihrer Nähe. Außerdem ist eine Liste der Vertragswerkstätten und aller Kundendienststellen von Black & Decker sowie der zuständigen Ansprechpartner im Internet zu finden unter: www.2helpU.com.

Batterien und Akkus



Denken Sie bei der Entsorgung von verbrauchten Batterien und Akkus an unsere Umwelt:

- ◆ Achten Sie darauf, dass die Akkukontakte nicht kurzgeschlossen werden.
- ◆ Werfen Sie Akku nicht ins Feuer, da dies Verletzungen oder eine Explosion zur Folge haben kann.
- ◆ Entladen Sie den Akku vollständig, und entfernen Sie ihn dann aus dem Gerät.
- ◆ Akkus können recycelt werden. Verpacken Sie die Akkus in einem geeigneten Behälter, sodass die Akkukontakte nicht kurzgeschlossen werden können. Bringen Sie die Batterien oder Akkus zu einer autorisierten Vertragswerkstatt oder zu einer Rücknahmestelle in Ihrer Nähe.

Technische Daten

ASI200	
Eingangsspannung	VDC 12
Eingangsstrom	A 8
Druck (max.)	kPa/psi/bar 827 / 120 / 8,27
Gewicht	kg 1,12

EU-Konformitätserklärung

ASI200 H1

Black & Decker erklärt, dass diese Produkte den folgenden Normen entsprechen:
Normen und gesetzliche Vorschriften.
EN 60335, 2006/95/EC

Der Unterzeichnete ist verantwortlich für die Zusammenstellung der technischen Daten und gibt diese Erklärung im Namen von Black & Decker ab.

Kevin Hewitt
Director of Consumer Engineering
Spennymoor, County Durham DL16 6JG,
Großbritannien
09.07.2009

Garantie

Black & Decker vertraut auf die Qualität der eigenen Geräte und bietet dem Käufer eine außergewöhnliche Garantie. Diese Garantiezusage versteht sich unbeschadet der gesetzlichen Gewährleistungsansprüche und schränkt diese keinesfalls ein. Sie gilt in sämtlichen Mitgliedstaaten der Europäischen Union und der Europäischen Freihandelszone EFTA.

Tritt innerhalb von 24 Monaten ab Kaufdatum an einem Gerät von Black & Decker ein auf Material- oder Verarbeitungsfehler bzw. auf Nichterfüllung von Normen zurückzuführender Mangel auf, garantiert Black & Decker den Austausch defekter Teile, die Reparatur von Geräten mit üblichem Verschleiß bzw. den Austausch eines mangelhaften Geräts, ohne dass dem Kunden dabei mehr als unvermeidliche Unannehmlichkeiten entstehen, allerdings vorbehaltlich folgender Ausnahmen:

- ◆ wenn das Gerät gewerblich, beruflich oder im Verleihgeschäft verwendet wurde;
- ◆ wenn das Gerät missbräuchlich verwendet oder mit mangelnder Sorgfalt behandelt wurde;

- ◆ wenn das Gerät durch Fremdeinwirkung beschädigt wurde;
- ◆ wenn ein unbefugter Reparaturversuch durch anderes Personal als das einer Vertragswerkstatt oder des Black & Decker Kundendienstes unternommen wurde.

Zur Inanspruchnahme dieser Garantie ist dem Verkäufer bzw. der Vertragswerkstatt ein Kaufnachweis vorzulegen. Die Adresse der zuständigen Niederlassung von Black & Decker steht in dieser Anleitung. Dort teilt man Ihnen gerne die nächstgelegene Vertragswerkstatt mit. Außerdem ist eine Liste der Vertragswerkstätten und aller Kundendienststellen von Black & Decker sowie der zuständigen Ansprechpartner im Internet zu finden unter: **www.2helpU.com**

Bitte besuchen Sie unsere Website **www.blackanddecker.de**, um Ihr neues Black & Decker Produkt zu registrieren. Dort erhalten Sie auch Informationen über neue Produkte und Sonderangebote. Weitere Informationen über die Marke Black & Decker und unsere Produkte finden Sie unter **www.blackanddecker.de**.

Utilisation

Votre gonfleur Black & Decker est conçu pour être utilisé avec une prise standard 12 V sur la plupart des véhicules. Il permet de gonfler les pneus de bicyclette, de voiture, les ballons, les bateaux, les piscines, etc. Il est destiné à une utilisation exclusivement domestique.

Consignes de sécurité

Attention ! De simples précautions de sécurité sont à prendre pour l'utilisation d'appareil alimenté par batterie. Les conseils suivants doivent toujours être appliqués, ceci afin de réduire le risque d'incendie, les fuites de batterie, les blessures et les dommages matériels.

- ◆ Lisez attentivement et entièrement le manuel avant d'utiliser l'appareil.
- ◆ Ce manuel décrit la manière d'utiliser cet appareil. L'utilisation d'un accessoire ou d'une fixation, ou bien l'utilisation de cet appareil à d'autres fins que celles recommandées dans ce manuel d'instructions peut présenter un risque de blessures.
- ◆ Gardez ce manuel pour référence ultérieure.

Utilisation de votre appareil

Prenez toutes les précautions nécessaires pour utiliser l'appareil.

- ◆ Cet appareil n'est pas destiné à être utilisé par des personnes jeunes ou déficientes sans surveillance.
- ◆ Cet appareil ne doit pas être utilisé comme jouet.
- ◆ Il doit toujours être utilisé dans des endroits secs et en aucun cas être mouillé.
- ◆ Ne plongez pas l'appareil dans l'eau.
- ◆ N'ouvrez pas le boîtier. Il n'y a aucune pièce réparable par l'utilisateur à l'intérieur de l'appareil.
- ◆ N'utilisez pas l'appareil dans un environnement présentant des risques d'explosion, ni en présence de liquides, gaz ou poussières inflammables.
- ◆ N'utilisez l'appareil que si l'endroit est correctement aéré.
- ◆ Pour limiter le risque d'endommagement des prises et des fils électriques, ne débranchez jamais l'appareil en tirant sur le câble.

Mesures de sécurité

- ◆ Cet appareil ne doit pas être utilisé par des personnes (y compris les enfants) ayant des déficiences physiques, mentales ou sensorielles. Cette consigne s'applique aussi aux personnes manquant d'expérience et de connaissance du matériel, à moins que celles-ci n'aient reçu les instructions appropriées ou qu'elles ne soient encadrées par une personne responsable de leur sécurité pour utiliser l'appareil.
- ◆ Ne laissez jamais les enfants sans surveillance afin d'éviter qu'ils ne jouent avec cet appareil.

Après l'utilisation

- ◆ Quand il n'est pas utilisé, l'appareil doit être rangé dans un endroit suffisamment aéré, sec et hors de portée des enfants.
- ◆ Les enfants ne doivent pas avoir accès aux appareils rangés.
- ◆ Quand l'appareil est rangé ou transporté dans un véhicule, il doit être installé dans le coffre ou correctement calé pour éviter les mouvements dus aux changements de direction ou de vitesse.
- ◆ L'appareil doit être protégé de la lumière directe, de la chaleur et de l'humidité.

Vérification et réparations

- ◆ Avant l'utilisation, vérifiez l'état de l'appareil ou des pièces. Recherchez des pièces cassées, des boutons endommagés et d'autres anomalies susceptibles de nuire au bon fonctionnement de l'appareil.
- ◆ N'utilisez pas l'appareil si une pièce est endommagée ou défectueuse.
- ◆ Faites réparer ou remplacer les pièces défectueuses ou endommagées par un réparateur agréé.
- ◆ Ne tentez jamais de retirer ou de remplacer des pièces autres que celles citées dans ce manuel.

Consignes de sécurité supplémentaires pour gonfleurs

- ◆ Pour la maison et la voiture uniquement. Gonflez les pneus des bicyclettes et des voitures, ballons, piscines et tout autres accessoires.
- ◆ L'air comprimé de votre gonfleur n'est pas bon pour la santé. N'aspirez jamais l'air provenant de votre gonfleur ou d'un appareil connecté au gonfleur.
- ◆ Respectez les recommandations du fabricant pour gonfler. Trop de pression pourrait entraîner une explosion et blesser des personnes.
- ◆ Ne laissez pas le gonfleur fonctionner sans surveillance. Les pneus ou autres éléments pourraient éclater.
- ◆ Les vibrations peuvent provoquer un déplacement du gonfleur. Ne l'utilisez pas sur une étagère ou une autre surface en hauteur. Il ne peut être utilisé que posé sur le sol ou sur un établi.
- ◆ N'apportez aucune modification et n'effectuez aucune réparation. Ne le percez pas, ne le soudez pas ou n'apportez aucune modification au gonfleur ou à ses fixations.
- ◆ Ne faites pas fonctionner le gonfleur quand le moteur tourne.
- ◆ Ne faites fonctionner qu'avec les accessoires proposés ou ceux dont la valeur nominale est de 8,28 bars/120 psi ou plus. L'utilisation d'accessoires non recommandés pour cet appareil peut être dangereuse.

- ◆ Ne jouez pas avec l'appareil. L'air sous haute pression est dangereux. N'orientez pas la source d'air vers vous ou vers les autres.
- ◆ Le gonfleur peut devenir chaud pendant l'utilisation. Laissez le gonfleur refroidir pendant 30 minutes avant de le ranger.
- ◆ Ne transportez jamais le gonfleur par le tuyau.
- ◆ N'orientez jamais l'embout ou le tuyau vers des animaux ou des personnes.
- ◆ Rangez le gonfleur hors de portée des jeunes enfants.
- ◆ L'indicateur n'est à utiliser qu'à titre indicatif. La pression des pneus doit être vérifiée régulièrement avec un appareil homologué.
- ◆ Avant l'utilisation, vérifiez l'état du fil électrique (dommages, usures et vieillissement).
- ◆ N'utilisez pas l'appareil si le fil électrique ou la prise sont endommagés ou défectueux (si applicable).

Étiquettes

Les pictogrammes ci-dessous se trouvent sur l'appareil :



Attention ! Pour réduire le risque de blessures, l'utilisateur doit lire le manuel d'instruction.



N'exposez pas l'appareil à la pluie ni à l'humidité



Avant d'effectuer des réparations ou un nettoyage de l'appareil, débranchez-le.



Ne laissez pas le gonfleur sans surveillance.

Éléments

1. Éclairage de zone de travail
2. Indicateur de pression
3. Zone de rangement du tuyau d'air et de l'adaptateur 12 V
4. Tuyau d'air avec adaptateur de valve universelle
5. Bouton marche/arrêt
6. Adaptateur 12 V
7. Bouton marche/arrêt d'éclairage de zone de travail

Utilisation

Rangement du fil et du tuyau d'air (figure A)

Enroulez le fil autour de la base de l'appareil, puis mettez le tuyau d'air (4) et l'adaptateur 12 V (6) dans la zone de rangement (3).

Fixation des accessoires (figure B et C)

Des embouts coniques standards et un embout à aiguille sont fournis avec votre gonfleur. Ils se trouvent à la base de l'appareil (figure C).

- ◆ Assurez-vous que le levier est relevé pour pouvoir utiliser l'adaptateur de valve universelle.
- ◆ Placez l'adaptateur de valve sur la tige de l'aiguille de gonflage ou sur l'embout conique (figure B).
- ◆ Appuyez sur le levier pour bloquer l'adaptateur en position.
- ◆ Placez l'aiguille de gonflage ou l'embout conique dans le pneumatique à gonfler.

Remarque : assurez-vous que le levier est relevé quand l'appareil n'est pas utilisé.

Ne faites fonctionner votre gonfleur qu'avec l'adaptateur de valve universelle ou les embouts fournis.

Remarque : assurez-vous que l'adaptateur est fermement enclenché avant de mettre le gonfleur en marche.

La plupart des pneumatiques ont un clapet interne qui empêche l'air de s'échapper pendant le processus de gonflage. Si ce clapet est déplacé par l'embout, le pneumatique ne pourra être gonflé. Poussez l'embout fermement dans la valve pour que le clapet s'ouvre.

Installez l'aiguille de gonflage dans un des embouts coniques et enclenchez les embouts dans les fentes en bas du gonfleur (figure C).

Attention ! Une pression d'air trop forte risque de provoquer un éclatement ou des blessures. Demandez au fabricant la valeur nominale de pression pour les pneumatiques à gonfler.

Remarque : si la valeur nominale est supérieure à 100 psi, notez que le fonctionnement ne peut dépasser 10 minutes. Attendez 20 minutes avant de réutiliser l'appareil.

Fonctionnement du gonfleur

Attention ! Ne faites pas fonctionner le gonfleur quand le moteur tourne.

Remarque : vérifiez que la prise accessoire 12 V est alimentée. Sur certains véhicules, la clé de contact doit être en position Accessoires pour que la prise soit sous tension.

Pour alimenter l'appareil

- ◆ Tirez toujours complètement le fil 12 Vcc avant chaque utilisation.
- ◆ Branchez l'adaptateur 12 V (6) dans la prise accessoire 12 V du véhicule.
- ◆ Pour que le gonfleur fonctionne, vous devez définir les unités (psi, bar ou kPa) et la pression.

Réglage de la pression requise (figure D)

Attention ! Ne laissez pas le gonfleur fonctionner sans surveillance. Les pneus ou autres pneumatiques pourraient éclater.

Remarque : la coupure automatique doit être sélectionnée avant de faire fonctionner l'appareil.

- ◆ Pour changer d'unité (kPa, psi ou bar), appuyez simultanément sur les boutons 8 & 9 jusqu'à ce que les unités demandées s'affichent.
- ◆ Appuyez pendant 3 secondes sur le bouton 8 ou 9 jusqu'à ce que l'affichage clignote.
- ◆ Quand l'affichage clignote, appuyez sur le bouton - ou + (8 & 9) jusqu'à ce que la pression désirée s'affiche.
- ◆ L'affichage clignote après 3 secondes et 0.0 s'affiche de nouveau. Ceci est normal.
- ◆ Connectez l'adaptateur de valve universelle et les accessoires, le cas échéant, au pneumatique à gonfler, en vous assurant que le levier de l'adaptateur de valve est verrouillé vers le bas.
- ◆ Pour mettre le gonfleur en marche, placez le bouton marche/arrêt (5) en position I.
- ◆ Quand le pneumatique à gonfler atteint la valeur préréglée, le gonfleur s'arrête automatiquement.
- ◆ Pour arrêter le gonfleur, placez le bouton marche/arrêt (5) en position 0.
- ◆ Retirez l'adaptateur de valve ou l'accessoire du pneumatique à gonfler et l'adaptateur 12 V (6) de la prise accessoire 12 V du véhicule.

Remarque : si l'adaptateur 12 V est retiré de la prise accessoire 12 V du véhicule, tous les réglages s'annulent. Il faudra de nouveau les sélectionner selon les instructions données dans la section Réglage de la pression requise.

Fonctionnement de l'éclairage de zone de travail

- ◆ Pour allumer l'éclairage de zone de travail (1), l'adaptateur 12 V (6) doit être branché dans la prise accessoire 12 V du véhicule.

Remarque : vérifiez que la prise accessoire 12 V est alimentée. Sur certains véhicules, la clé de contact doit être en position Accessoires pour que la prise soit sous tension.

- ◆ Pour allumer l'éclairage de zone de travail, placez le bouton marche/arrêt d'éclairage de zone de travail (7) qui se trouve sur le côté de l'appareil, en position I.
- ◆ Pour éteindre l'éclairage de zone de travail, placez le bouton marche/arrêt d'éclairage de zone de travail (7) qui se trouve sur le côté de l'appareil, en position 0.

Remplacement de l'ampoule (figure E)

Attention ! Assurez-vous que l'adaptateur 12 V n'est pas connecté avant de démonter ce processus.

- ◆ Retirez la vis (10) sur le dessus de la lentille (12).
- ◆ Tirez la lentille (12) vers le bas à l'aide de la languette (11) pour accéder à l'ampoule (13).
- ◆ Pour retirer l'ampoule, poussez-la et tournez-la dans le sens des aiguilles d'une montre (figure E).
- ◆ Remplacez l'ampoule (13) par une ampoule de même type et de même puissance (12 V/5 W)
- ◆ Remplacez la lentille (12) et serrez la vis (10).

Utilisation du gonfleur comme indicateur de pression

- ◆ Assurez-vous que l'appareil est alimenté comme décrit dans la section Fonctionnement du gonfleur.
- ◆ Connectez l'adaptateur de valve universelle et les accessoires, le cas échéant, au pneumatique à gonfler, en vous assurant que le levier de l'adaptateur de valve est verrouillé vers le bas.
- ◆ La pression actuelle est alors affichée sur l'appareil.

Entretien

Votre appareil/outil sans fil/avec fil Black & Decker a été conçu pour fonctionner pendant longtemps avec un minimum d'entretien. Un fonctionnement continu satisfaisant dépend d'un nettoyage régulier et d'un entretien approprié.

Attention ! À ne pas oublier avant l'entretien des appareils électriques sans fil/avec fil :

- ◆ Arrêtez l'appareil/outil, puis débranchez-le.
- ◆ Ou, arrêtez l'appareil et retirez la batterie de l'appareil/outil si celui-ci est muni d'un bloc-batterie séparé.
- ◆ Ou bien déchargez complètement la batterie si elle est intégrée au système, puis arrêtez l'appareil (position Off).
- ◆ Débranchez le chargeur avant de le nettoyer. Aucun entretien particulier n'est nécessaire pour le chargeur en dehors du nettoyage régulier.

Nettoyez régulièrement les orifices de ventilation de votre appareil/outil/chargeur à l'aide d'une brosse souple ou d'un chiffon sec.

Nettoyez régulièrement le compartiment du moteur à l'aide d'un chiffon humide. N'utilisez pas de produit abrasif ou à base de solvant.

Ouvrez régulièrement le mandrin et retirez la poussière à l'intérieur en le tapant (si installé).

Dépannage

Problème	Cause possible	Solution possible
Le gonfleur ne fonctionne pas	Adaptateur 12 V non connecté	Connectez l'adaptateur 12 V
	Prise accessoire hors tension	Tournez la clé en position Accessoires
	Absence de valeur de pré réglage	Définissez une valeur de pré réglage
	Le fusible dans l'adaptateur 12 V est grillé	Installez un fusible neuf de même type et dimension (8 A/250 V).
	Le fil ou le bouton est endommagé.	Faites remplacer le fil ou le bouton dans un centre de service Black & Decker ou dans un centre de service agréé.

Remplacement du fusible dans la prise accessoire c.c. du véhicule

- ◆ Tournez le bouchon dans le sens inverse des aiguilles d'une montre pour le retirer.
- ◆ Desserrez le bouchon et l'axe central.
- ◆ Retirez le fusible.
- ◆ Installez un fusible neuf de même type et dimension (8 A/250 V).
- ◆ Reposez le bouchon et l'axe central.
- ◆ Serrez le bouchon dans le sens des aiguilles d'une montre pour l'installer.

Protection de l'environnement



Recyclage. Cet appareil ne doit pas être jeté avec les déchets ménagers.

Si votre appareil Black & Decker doit être remplacé ou si vous n'en avez plus l'usage, ne le jetez pas avec les ordures ménagères. Songez à la protection de l'environnement et recyclez-le.



La collecte séparée des produits et des emballages usagés permet de recycler et de réutiliser des matériaux. La réutilisation de matériaux recyclés évite la pollution de l'environnement et réduit la demande de matières premières.

Des réglementations locales peuvent stipuler la collecte séparée des produits électriques et des produits ménagers, dans des déchetteries municipales ou par le revendeur lorsque vous achetez un nouveau produit.

Black & Decker offre une solution permettant de recycler les produits Black & Decker lorsqu'ils ont atteint la fin de leur cycle de vie. Pour pouvoir profiter de ce service, veuillez retourner votre produit à un réparateur agréé qui se chargera de le collecter pour nous.

Pour connaître l'adresse du réparateur agréé le plus proche de chez vous, contactez le bureau Black & Decker à l'adresse indiquée dans ce manuel. Vous pourrez aussi trouver une liste de réparateurs agréés de Black & Decker et de plus amples détails sur notre service après-vente sur le site Internet à l'adresse suivante : www.2helpU.com.

Batteries



Quand elles sont hors d'usage, jetez-les en respectant les normes de protection de l'environnement.

- ◆ Ne court-circuitez pas les bornes.
- ◆ Ne jetez pas la ou les batteries dans le feu, elles pourraient exploser ou être à l'origine d'un risque de blessure.
- ◆ Déchargez complètement la batterie, puis retirez-la de l'outil.
- ◆ Les batteries sont recyclables. Placez la ou les batteries dans un emballage approprié pour éviter un court-circuit des bornes. Déposez-les chez un technicien d'entretien agréé ou dans un centre de recyclage local.

Caractéristiques techniques

ASI200	
Tension d'entrée	V c.c. 12
Courant d'entrée	A 8
Pression (max)	kPa / psi / bar 827 / 120 / 8,27
Poids	kg 1,12

Déclaration de conformité CE

ASI200 H1

Black & Decker déclare que ces produits sont conformes à :
Normes & législation.
EN60335, 2006/95/EC

Le soussigné est responsable des données de la fiche technique et fait cette déclaration au nom de Black & Decker



Kevin Hewitt
Directeur Ingénierie Client
Spennymoor, County Durham DL16 6JG,
Royaume-Uni
09-07-2009

Pour avoir recours à la garantie, il est nécessaire de fournir une preuve d'achat au vendeur ou à un réparateur agréé. Pour connaître l'adresse du réparateur agréé le plus proche de chez vous, contactez le bureau Black & Decker à l'adresse indiquée dans ce manuel. Vous pourrez aussi trouver une liste de réparateurs agréés de Black & Decker et de plus amples détails sur notre service après-vente sur le site Internet à l'adresse suivante : **www.2helpU.com**

Visitez notre site Web **www.blackanddecker.co.uk** pour enregistrer votre nouveau produit Black & Decker et être informé des nouveaux produits et des offres spéciales. Pour plus d'informations concernant la marque Black & Decker et notre gamme de produits, consultez notre site **www.blackanddecker.co.uk**.

Garantie

Black & Decker assure la qualité de ses produits et vous offre une garantie très élargie. Ce certificat de garantie est un document supplémentaire et ne peut en aucun cas se substituer à vos droits légaux. La garantie est valable sur tout le territoire des États Membres de l'Union Européenne et de la Zone de Libre Échange Européenne.

Si un produit Black & Decker s'avère défectueux en raison de matériaux en mauvais état, d'une erreur humaine, ou d'un manque de conformité dans les 24 mois suivant la date d'achat, Black & Decker garantit le remplacement des pièces défectueuses, la réparation des produits usés ou cassés ou remplace ces produits à la convenance du client, sauf dans les circonstances suivantes :

- ◆ Le produit a été utilisé dans un but commercial, professionnel, ou a été loué.
- ◆ Le produit a été mal utilisé ou mal entretenu.
- ◆ Le produit a subi des dommages à cause de corps étrangers, de substances ou d'accidents.
- ◆ Des réparations ont été tentées par des techniciens ne faisant pas partie du service technique de Black & Decker.

Uso previsto

Il compressore cordless Black & Decker è stato progettato per essere usato con la normale presa da 12 V della maggior parte di veicoli per il gonfiaggio di pneumatici di auto e biciclette, palloni, gommoni e materassini gonfiabili. Questo prodotto è stato progettato solo per un uso individuale.

Istruzioni di sicurezza

Attenzione! Quando si usano elettrodomestici alimentati a batteria, osservare sempre le normali precauzioni di sicurezza per ridurre il rischio di incendio, di perdita di liquido dalle batterie, di lesioni personali e di danni materiali.

- ◆ Leggere attentamente il presente manuale prima di usare l'elettrodomestico.
- ◆ L'uso previsto è descritto nel presente manuale. Se questo elettrodomestico viene usato con accessori o per usi diversi da quelli raccomandati nel presente manuale d'uso, si potrebbero verificare lesioni personali.
- ◆ Conservare il presente manuale per futura consultazione.

Utilizzo dell'elettrodomestico

Prestare sempre attenzione quando si usa l'elettrodomestico.

- ◆ L'utilizzo di questo elettrodomestico non è destinato a ragazzi o persone inferme senza supervisione.
- ◆ Questo elettrodomestico non deve essere usato come un giocattolo.
- ◆ Usare solo in un luogo asciutto. Evitare che l'elettrodomestico si bagni.
- ◆ Non immergere l'elettrodomestico in acqua.
- ◆ Non aprire il corpo dell'elettrodomestico, dato che al suo interno non vi sono componenti riparabili.
- ◆ Evitare d'impiegare questo elettrodomestico in ambienti esposti a rischio di esplosione, ad esempio in presenza di liquidi, gas o polveri infiammabili.
- ◆ Usare l'elettrodomestico solo in una zona ben ventilata.
- ◆ Per ridurre il rischio di danni a spine o fili, non tirare mai il filo per scollegare la spina da una presa.

Sicurezza altrui

- ◆ Questo elettrodomestico non è stato progettato per impiego da parte di persone (o bambini) portatrici di handicap fisici, psichici o sensoriali o che non abbiano la dovuta esperienza o conoscenza, a meno che non siano seguite o opportunamente istruite sul suo impiego da parte di una persona responsabile della loro sicurezza.
- ◆ Controllare che i bambini non giochino con l'elettrodomestico.

Dopo l'impiego

- ◆ Quando non viene usato, l'elettrodomestico deve essere conservato in un luogo asciutto e ben ventilato, fuori dalla portata dei bambini.
- ◆ Gli elettrodomestici non devono essere riposti alla portata dei bambini.
- ◆ Se viene conservato o trasportato in un veicolo, l'elettrodomestico deve essere messo nel bagagliaio o legato per evitare che si sposti in caso di cambiamento repentino della velocità o della direzione di marcia.
- ◆ L'elettrodomestico deve essere protetto dalla luce diretta del sole, dal calore e dall'umidità.

Ispezione e riparazioni

- ◆ Prima dell'impiego, controllare che l'elettrodomestico non sia danneggiato e non presenti parti difettose. Controllare che non vi siano parti rotte, che gli interruttori non siano danneggiati e che non vi siano altre condizioni che potrebbero avere ripercussioni sulle prestazioni.
- ◆ Non usare l'elettrodomestico se alcune parti sono danneggiate o difettose.
- ◆ Far riparare o sostituire le parti danneggiate o difettose da un tecnico autorizzato.
- ◆ Non tentare di smontare o sostituire qualsiasi parte ad eccezione di quelle specificate nel presente manuale.

Altre precauzioni di sicurezza per i compressori

- ◆ Solo per uso domestico o sulla propria auto. Per gonfiare pneumatici di macchine e biciclette, palloni, materassini e materassi gonfiabili e molti altri articoli domestici.
- ◆ L'aria compressa erogata dal compressore non può essere respirata. Non respirare mai l'aria erogata dal compressore o da un respiratore collegato al compressore.
- ◆ Gonfiare i vari articoli solo in base alle raccomandazioni del fabbricante. Se si supera la pressione nominale indicata, si può causare l'esplosione degli articoli gonfiati oltre a lesioni personali.
- ◆ Non lasciare che il compressore funzioni incustodito dato che potrebbe far scoppiare pneumatici o altri articoli.
- ◆ Dato che le vibrazioni prodotte dal compressore ne potrebbero causare lo spostamento, non farlo funzionare su di un ripiano o su altre superfici sopraelevate. Usarlo solo da terra o su di un banco da lavoro.
- ◆ Non modificarlo e non tentare di ripararlo. Non trapanare, saldare o apportare mai modifiche al compressore o ai rispettivi accessori.
- ◆ Non far funzionare il compressore quando il motore è acceso.

- ◆ Far funzionare solo con gli accessori forniti o con quelli con taratura nominale di 8,28 bar/120 psi o superiore. L'uso di accessori non raccomandati per impiego con questo elettrotensile potrebbe essere pericoloso.
- ◆ Non giocare con questo elettrotensile. L'alta pressione è pericolosa. Non puntare il getto d'aria contro sé stessi o altri.
- ◆ Il compressore potrebbe riscaldarsi durante l'impiego. Lasciare che il compressore si raffreddi per 30 minuti prima di metterlo via.
- ◆ Non trasportare mai il compressore afferrandolo dal tubo di alimentazione dell'aria.
- ◆ Non puntare l'ugello o il tubo verso animali o astanti.
- ◆ Riporre il compressore lontano dalla portata dei bambini.
- ◆ Il manometro funge solo da guida. La pressione dei pneumatici deve essere controllata regolarmente con un manometro omologato.
- ◆ Prima dell'uso, controllare che il filo di alimentazione non presenti segni di danni, invecchiamento e usura.
- ◆ Non usare l'elettrotensile se il filo di alimentazione o la spina sono danneggiati o difettosi (se pertinente).

Etichette sugli elettrotensili

Sull'elettrotensile appaiono i seguenti pittogrammi:



Attenzione! Per ridurre il rischio di infortuni, l'utente deve leggere il manuale d'uso.



Non esporre l'elettrotensile alla pioggia o a un'umidità intensa.



Prima di eseguire la manutenzione o di pulire l'elettrotensile, scollegare il filo di alimentazione dalla presa.



Non lasciare il compressore incustodito.

Caratteristiche

1. Luce di zona
2. Manometro
3. Vano per il tubo di alimentazione dell'aria e per l'adattatore da 12 V
4. Tubo di alimentazione dell'aria con adattatore valvola universale
5. Interruttore di accensione
6. Adattatore da 12 V
7. Interruttore di accensione luce di zona

Utilizzo

Tubo di alimentazione dell'aria e vano portafilo (fig. A)

Avvolgere il filo di alimentazione attorno alla base dell'elettrotensile e quindi riporre il tubo di alimentazione dell'aria (4) e l'adattatore da 12 V (6) nell'apposito vano (3).

Montaggio degli accessori (figg. B e C)

Il compressore viene fornito con le ghiera coniche standard e l'ugello di gonfiaggio ad ago; questi componenti si trovano alla base dell'elettrotensile (fig. C).

- ◆ Per usare l'adattatore valvola, verificare che la leva sia sollevata.
- ◆ Mettere l'adattatore valvola sopra lo stelo dell'ago o la ghiera conica (fig. B).
- ◆ Abbassare la leva sull'adattatore per bloccarlo in sede.
- ◆ Infilare l'ago o la ghiera conica nell'articolo da gonfiare.

Nota: Verificare sempre che la leva sia sollevata quando l'elettrotensile non è usato.

Azionare il compressore solo con l'adattatore valvola universale o con le ghiera fornite.

Nota: Accertarsi che l'adattatore valvola universale sia saldamente bloccato in sede prima di accendere il compressore.

Molti articoli gonfiabili sono dotati di deflettore interno che impedisce la perdita di aria durante il gonfiaggio. Se questo deflettore non viene spostato dalla ghiera, l'articolo da gonfiare non può essere gonfiato. Calzare saldamente la ghiera sulla valvola per essere sicuri di aprire questo deflettore.

Conservare l'ago di gonfiaggio all'interno di una delle ghiera coniche e agganciare le ghiera coniche nelle apposite fessure situate alla base del compressore (fig. C).

Attenzione! Una pressione dell'aria eccessiva può causare lo scoppio dell'articolo in oggetto o lesioni personali.

Controllare il valore nominale massimo della pressione indicato del fabbricante degli articoli che si stanno gonfiando.

Nota: Se il valore nominale della pressione dell'articolo che si sta gonfiando è superiore a 100 psi, tenere presente che il tempo di funzionamento massimo è di 10 minuti, seguito da un periodo di riposo di 20 minuti, prima del successivo riutilizzo.

Funzionamento del compressore

Attenzione! Non far funzionare il compressore quando il motore dell'auto è acceso.

Nota: Verificare che la presa accessori da 12 V sia sotto tensione. Su alcuni veicoli, la presa accessori è sotto tensione solo quando la chiave di accensione si trova sulla posizione accessori.

Alimentazione del display

- ◆ Allungare sempre completamente il filo da 12 V c.c. prima di ciascun impiego.
- ◆ Collegare l'adattatore da 12 V (6) nella presa accessori da 12 V del veicolo.
- ◆ Per consentire al compressore di funzionare è necessario impostare le unità di misura desiderate (psi, bar o kPa) e un valore della pressione.

Impostazione della pressione richiesta (fig. D)

Attenzione! Non lasciare che il compressore funzioni incustodito dato che potrebbe far scoppiare pneumatici o altri articoli.

Nota: È necessario impostare la funzione di arresto automatico prima che il compressore possa funzionare.

- ◆ Per passare da un'unità di misura all'altra (kPa, psi or bar), premere contemporaneamente i pulsanti 8 e 9 fino a quando sono visualizzate le unità di misura richieste.
- ◆ Premere e tenere premuto per 3 secondi il pulsante 8 o 9 fino a quando il display lampeggia.
- ◆ Mentre il display lampeggia, premere il pulsante - o + (8 e 9) fino a quando è visualizzata la pressione richiesta.
- ◆ Dopo 3 secondi il display lampeggia e ritorna a una lettura di "0.0". Si tratta di un fatto normale.
- ◆ Collegare l'adattatore valvola universale e gli accessori, se richiesto, all'articolo da gonfiare, verificando che la leva sull'adattatore valvola sia abbassata e bloccata in sede.
- ◆ Per accendere il compressore, premere l'interruttore di accensione (5) portandolo in posizione I.
- ◆ Quando l'articolo da gonfiare ha raggiunto il valore pretarato, il compressore si spegne automaticamente.
- ◆ Per spegnere il compressore, spostare l'interruttore di accensione (5) sulla posizione 0.
- ◆ Rimuovere l'adattatore valvola o l'accessorio dall'articolo gonfiato e scollegare l'adattatore da 12 V (6) dalla presa accessori da 12 V del veicolo.

Nota: Se l'adattatore da 12 V viene scollegato dalla presa accessori da 12 V del veicolo, si perderanno tutte le impostazioni che dovranno essere reinserte seguendo le istruzioni al paragrafo "Impostazione della pressione richiesta".

Funzionamento della luce di zona

- ◆ Prima di usare la luce di zona (1), verificare che l'adattatore da 12 V (6) sia collegato alla presa accessori da 12 V del veicolo.

Nota: Verificare che la presa accessori da 12 V sia sotto tensione. Su alcuni veicoli, la presa accessori è sotto tensione solo quando la chiave di accensione si trova sulla posizione accessori.

- ◆ Per accendere la luce di zona, premere il relativo interruttore di accensione (7), situato sul lato dell'elettrotensile, sulla posizione I.
- ◆ Per spegnere la luce di zona, premere il relativo interruttore di accensione (7), situato sul lato dell'elettrotensile, sulla posizione 0.

Sostituzione della lampadina (fig. E)

Attenzione! Verificare che l'adattatore da 12 V non sia collegato prima di iniziare questa procedura.

- ◆ Svitare la vite (10) dalla parte superiore del coperchio della lente (12).
- ◆ Abbassare il coperchio della lente (12) usando la linguetta (11) per raggiungere la lampadina (13).
- ◆ Per togliere la lampadina, premerla e ruotarla in senso orario (fig. E).
- ◆ Sostituire la lampadina (13) con una del medesimo tipo e potenza (12 V/5 W).
- ◆ Montare il coperchio della lente (12) e fissarlo con la vite (10).

Utilizzo del compressore come manometro

- ◆ Verificare che l'elettrotensile sia alimentato come descritto al paragrafo "Funzionamento del compressore".
- ◆ Collegare l'adattatore valvola universale e gli accessori, se richiesto, all'articolo da gonfiare, verificando che la leva sull'adattatore valvola sia abbassata e bloccata in sede.
- ◆ Il display indica ora il valore effettivo della pressione nell'articolo.

Manutenzione

Questo apparecchio/elettrotensile Black & Decker con o senza filo è stato progettato per funzionare a lungo con una manutenzione minima. Per ottenere prestazioni sempre soddisfacenti occorre avere cura dell'elettrotensile e sottoporlo a pulizia periodica.

Attenzione! Prima di eseguire interventi di manutenzione su elettrotensili con o senza filo procedere come descritto in seguito.

- ◆ Spegner e scollegare l'apparecchio/elettrotensile.
- ◆ Oppure spegnere ed estrarre la batteria se l'apparecchio/elettrotensile è dotato di battery pack a parte.
- ◆ Oppure scaricare completamente la batteria se è di tipo integrale e quindi spegnerlo.
- ◆ Scollegare l'alimentatore prima di pulirlo. L'alimentatore non richiede nessuna manutenzione salvo una regolare pulitura.

Pulire regolarmente le prese di ventilazione dell'apparecchio/elettrotensile/alimentatore con un pennello o con un panno morbido e asciutto.

Il vano del motore deve essere pulito regolarmente con un panno umido. Non usare materiali abrasivi o detergenti a base di solventi.

Aprire regolarmente il mandrino e batterlo leggermente per eliminare la polvere dall'interno (se in dotazione).

Ricerca guasti

Problema	Possibile causa	Eventuale soluzione
Il compressore non funziona	Adattatore da 12 V non collegato	Collegare l'adattatore da 12 V
	Presa accessori non sotto tensione	Portare la chiave sulla posizione accessori
	Non è stato impostato il valore	Impostare il valore pretarato
	Il fusibile nell'adattatore da 12 V è bruciato	Sostituire il fusibile con uno del medesimo tipo e potenza (8 A/250 V).
	Il filo di alimentazione o l'interruttore sono danneggiati.	Far sostituire il filo di alimentazione o l'interruttore presso un centro di assistenza o un rivenditore Black & Decker autorizzato.

Sostituzione del fusibile nello spinotto per presa accessori c.c.

- ◆ Staccare la calotta ruotandola in senso antiorario.
- ◆ Allentare la calotta e la spina centrale.
- ◆ Estrarre il fusibile.
- ◆ Montare un nuovo fusibile del medesimo tipo e misura ((8 A/250 V).
- ◆ Rimettere la calotta e la spina centrale.
- ◆ Serrare la calotta ruotandola in senso orario sullo spinotto.

Protezione dell'ambiente



Raccolta differenziata. Questo prodotto non deve essere smaltito con i normali rifiuti domestici.

Nel caso in cui l'elettrotensile Black & Decker debba essere sostituito o non sia più necessario, non smaltirlo con i normali rifiuti domestici. Metterlo da parte per la raccolta differenziata.



La raccolta differenziata dei prodotti e degli imballaggi utilizzati consente il riciclaggio dei materiali e il loro continuo utilizzo. Il riutilizzo dei materiali riciclati favorisce la protezione dell'ambiente prevenendo l'inquinamento e riduce il fabbisogno di materie prime.

Seguire la regolamentazione locale per la raccolta differenziata dei prodotti elettrici che può prevedere punti di raccolta o la consegna dell'elettrotensile al rivenditore presso il quale viene acquistato un nuovo prodotto.

Black & Decker offre ai propri clienti la possibilità di riciclare i prodotti Black & Decker che hanno esaurito la loro vita di servizio. Per usufruire di tale servizio, è sufficiente restituire il prodotto a qualsiasi tecnico autorizzato, incaricato della raccolta per conto dell'azienda.

Per individuare il tecnico autorizzato più vicino, rivolgersi alla sede Black & Decker locale, presso il recapito indicato nel presente manuale. In alternativa, un elenco completo di tutti i tecnici autorizzati Black & Decker e i dettagli completi sui contatti e i servizi post-vendita sono disponibili su Internet presso: www.2helpU.com.

Batterie



Alla fine della loro vita utile, smaltire le batterie in conformità alle norme ambientali.

- ◆ Non cortocircuitare i terminali della batteria.
- ◆ Non smaltire le batterie bruciandole dato che si potrebbe causare un'esplosione.
- ◆ Scaricare completamente la batteria e toglierla dall'elettrotensile.
- ◆ Le batterie sono riciclabili. Imballare la batteria o le batterie in modo idoneo per evitare che i terminali possano essere cortocircuitati. Portarle presso un tecnico autorizzato o il centro di riciclaggio di zona.

Dati tecnici

ASI200	
Tensione in ingresso	V c.c. 12
Corrente in ingresso	A 8
Pressione (max)	kPa / psi / bar 827 / 120 / 8,27
Peso	kg 1,12

Dichiarazione di conformità CE

ASI200 H1

Black & Decker dichiara che i presenti prodotti sono conformi a:

Norme e leggi:
EN60335, 2006/95/CE

Il sottoscritto è responsabile della redazione di questo documento tecnico e rilascia questa dichiarazione per conto di Black & Decker



Kevin Hewitt
Direttore tecnico prodotti di consumo
Spennymoor, County Durham DL16 6JG,
Regno Unito
09-07-2009

Per attivare la garanzia è necessario esibire la prova d'acquisto al venditore o al tecnico autorizzato. Per individuare il tecnico autorizzato più vicino, rivolgersi alla sede Black & Decker locale, presso il recapito indicato nel presente manuale. In alternativa, un elenco completo di tutti i tecnici autorizzati Black & Decker e i dettagli completi sui contatti e i servizi post-vendita sono disponibili su Internet presso: **www.2helpU.com**

I clienti che desiderano registrare il nuovo prodotto Black & Decker e ricevere gli aggiornamenti sui nuovi prodotti e le offerte speciali, sono invitati a visitare il sito Web (**www.blackanddecker.it**). Ulteriori informazioni sul marchio e la gamma di prodotti Black & Decker sono disponibili all'indirizzo **www.blackanddecker.it**.

Garanzia

Certa della qualità dei suoi prodotti, Black & Decker offre una garanzia eccezionale. Il presente certificato di garanzia è complementare ai diritti legali e non li pregiudica in alcun modo. La garanzia è valida entro il territorio degli Stati membri dell'Unione Europea e dell'EFTA (European Free Trade Area).

Se un prodotto Black & Decker risulta difettoso per qualità del materiale, della costruzione o per mancata conformità entro 24 mesi dalla data di acquisto, Black & Decker garantisce la sostituzione delle parti difettose, provvede alla riparazione dei prodotti se ragionevolmente usurati oppure alla loro sostituzione, in modo da ridurre al minimo il disagio del cliente a meno che:

- ◆ il prodotto non sia stato destinato ad usi commerciali, professionali o al noleggio;
- ◆ il prodotto non sia stato usato in modo improprio o scorretto;
- ◆ il prodotto non abbia subito danni causati da oggetti o sostanze estranee oppure incidenti;
- ◆ il prodotto non abbia subito tentativi di riparazione non effettuati da tecnici autorizzati né dall'assistenza Black & Decker.

Beoogd gebruik

Deze pomp van Black & Decker is ontworpen voor gebruik in de meeste voertuigen met de standaard 12V-adapter voor het oppompen van auto- en fietsbanden, ballen, opblaasbootjes, enzovoort. Het product is uitsluitend bestemd voor huishoudelijk consumentengebruik.

Veiligheidsinstructies

Waarschuwing! Bij apparaten voor gebruik op accu's moeten bepaalde elementaire voorzorgsmaatregelen, waaronder de navolgende, altijd in acht worden genomen om het gevaar voor brand, lekkende accu's, persoonlijk letsel en materiële schade tot een minimum te beperken.

- ◆ Lees deze handleiding zorgvuldig door voordat u het apparaat in gebruik neemt.
- ◆ In deze handleiding wordt ingegaan op het beoogde gebruik. Het gebruik van andere accessoires of hulpstukken dan wel de uitvoering van andere handelingen dan in deze gebruikershandleiding worden aanbevolen, kan tot persoonlijk letsel leiden.
- ◆ Bewaar deze handleiding zorgvuldig zodat u deze altijd nog eens kunt raadplegen.

Gebruik van het apparaat

Ga bij gebruik van het apparaat altijd voorzichtig te werk.

- ◆ Dit apparaat mag niet zonder supervisie door jonge of lichamelijk zwakke mensen worden gebruikt.
- ◆ Het apparaat mag niet als speelgoed worden gebruikt.
- ◆ Gebruik het apparaat alleen in een droge locatie. Het apparaat mag niet nat worden.
- ◆ Dompel het apparaat niet onder in water.
- ◆ Open de behuizing niet. Het apparaat bevat geen onderdelen die door de gebruiker kunnen worden gerepareerd.
- ◆ Gebruik het apparaat niet in een omgeving met explosiegevaar, zoals in de nabijheid van brandbare vloeistoffen, gasen of stof.
- ◆ Gebruik het apparaat alleen in een goed geventileerde ruimte.
- ◆ Haal de stekker nooit uit het stopcontact door aan de kabel te trekken. Zo voorkomt u beschadiging aan de stekker of de kabel.

Veiligheid van anderen

- ◆ Dit apparaat mag niet worden gebruikt door personen (waaronder kinderen) die lichamelijk of geestelijk mindervalide zijn of die geen ervaring met of kennis van dit apparaat hebben, tenzij ze onder toezicht staan of instructies krijgen wat betreft het gebruik van het apparaat van een persoon die verantwoordelijk is voor hun veiligheid.
- ◆ Houd toezicht op kinderen om ervoor te zorgen dat zij niet met het apparaat gaan spelen.

Na gebruik

- ◆ Bewaar het apparaat na gebruik op een droge, goed geventileerde plaats, buiten het bereik van kinderen.
- ◆ Zorg dat het bewaarde apparaat niet toegankelijk is voor kinderen.
- ◆ Wanneer het apparaat in de auto ligt, moet u het apparaat in de kofferruimte plaatsen of goed vastzetten, zodat het apparaat niet kan wegschieten bij plotselinge veranderingen in snelheid of richting.
- ◆ Bescherm het apparaat tegen direct zonlicht, hitte en vocht.

Inspectie en reparaties

- ◆ Controleer het apparaat vóór gebruik op beschadigingen en defecten. Controleer het vooral op gebroken onderdelen, schade aan de schakelaars en andere omstandigheden die de werking ervan kunnen beïnvloeden.
- ◆ Gebruik het apparaat niet in geval van een of meer beschadigde of defecte onderdelen.
- ◆ Laat beschadigde of defecte onderdelen door een van onze servicecentra repareren of vervangen.
- ◆ Probeer nooit andere onderdelen te verwijderen of vervangen dan in deze handleiding zijn vermeld.

Aanvullende veiligheidsinstructies voor pompen

- ◆ Uitsluitend voor thuisgebruik en gebruik bij auto's. U kunt auto- en fietsbanden, ballen, opblaasbootjes en nog veel meer in en rondom het huis oppompen.
- ◆ De gecompriëerde lucht van de pomp mag niet worden ingeademd. Adem nooit lucht in van deze pomp of van een ademapparaat dat op de pomp is aangesloten.
- ◆ Pomp objecten uitsluitend op volgens de aanbevelingen van de betreffende fabrikant. Als u de voorgeschreven druk overschrijdt, kan het object exploderen en persoonlijk letsel veroorzaken.
- ◆ Laat de pomp niet onbeheerd achter als deze aanstaat. In dat geval kunnen banden of andere objecten exploderen.
- ◆ De pomp kan gaan 'wandelen' door de trillingen die ontstaan als het apparaat aanstaat. Plaats het apparaat niet op een hoge plank of ander oppervlak. Plaats het apparaat alleen op de grond of op de werkbank.
- ◆ Maak geen aanpassingen aan het apparaat en probeer het niet te repareren. Boor of las niet in het apparaat en pas de pomp en de hulpstukken niet aan.
- ◆ Werk niet met de pomp terwijl de motor draait.
- ◆ Bedien het apparaat uitsluitend met de meegeleverde onderdelen of onderdelen die geschikt zijn voor 8,28 bar/120 psi of hoger. Als u hulpstukken gebruikt die niet worden aanbevolen voor dit gereedschap, kan dat gevaar opleveren.

- ◆ Dit gereedschap is geen speelgoed. Hoge luchtdruk is gevaarlijk. Blaas nooit in de richting van uzelf of van een ander.
- ◆ De pomp wordt heet tijdens het gebruik. Laat de pomp 30 minuten afkoelen voordat u het apparaat opbergt.
- ◆ Draag de pomp nooit aan de slang.
- ◆ Wijs de spuitmond of slang niet in de richting van dieren of omstanders.
- ◆ Berg de pomp buiten het bereik van kinderen op.
- ◆ De indicator van de drukmeter is uitsluitend bestemd als richtlijn. Controleer de bandendruk regelmatig bij een gecertificeerd apparaat voor het meten van de bandendruk.
- ◆ Controleer het netsnoer vóór gebruik op tekenen van beschadiging, veroudering en slijtage.
- ◆ Gebruik het apparaat niet als het netsnoer of de stekker defect of beschadigd is (indien van toepassing).

Labels op het gereedschap

Het gereedschap is voorzien van de volgende pictogrammen:



Waarschuwing! De gebruiker moet de instructiehandleiding lezen om het risico op letsel te verminderen.



Houd het apparaat uit de buurt van regen en hoge luchtvochtigheid.



Verwijder altijd de stekker uit het stopcontact voordat u onderhouds- of reinigingswerkzaamheden aan het apparaat uitvoert.



Laat de pomp niet onbeheerd achter.

Onderdelen

1. Lampje voor AREA
2. Drukmeter
3. Opslagruimte voor luchtslang en 12V-adapter
4. Luchtslang met universele ventieladapter
5. Aan-uitschakelaar
6. 12V-adapter
7. Aan-uitschakelaar van het lampje voor AREA

Gebruik

Opbergruimte voor luchtslang en kabels (fig. A)

Draai het snoer rond de onderkant van het apparaat en plaats vervolgens de luchtslang (4) en de 12V-adapter (6) in de opbergruimte (3).

Hulpstukken bevestigen (fig. B en C)

Bij de pomp worden standaard de taps toelopende spuitmonden en een naaldspuitmond geleverd. U vindt deze aan de onderkant van het apparaat (fig. C).

- ◆ Als u de universele ventieladapter wilt gebruiken, controleert u of de hendel omhoog staat.
- ◆ Plaats de ventieladapter op het beginstuk van de naaldspuitmond of van de taps toelopende spuitmond (fig. B).
- ◆ Druk de hendel op de ventieladapter naar beneden om deze vast te zetten.
- ◆ Steek de naaldspuitmond of de taps toelopende spuitmond in het item dat u wilt opblazen.

Opmerking: Zorg altijd dat de hendel omhoog staat als u het apparaat niet gebruikt.

Gebruik de pomp alleen met de universele ventieladapter of met de meegeleverde spuitmonden.

Opmerking: Zorg ervoor dat de universele ventieladapter stevig vastzit voordat u de pomp inschakelt.

Veel opblaasbare objecten hebben een interne klep waardoor er tijdens het opblazen geen lucht kan ontsnappen. Als deze klep niet opzij wordt gedrukt door de spuitmond, wordt het opblaasbare object niet opgeblazen. Druk de spuitmond stevig in het ventiel om ervoor te zorgen dat de klep opzij wordt gedrukt.

U kunt de naaldspuitmond opbergen door deze in een van de taps toelopende spuitmonden te steken. Plaats de spuitmonden in de opbergsleuven aan de onderkant van de pomp (fig. C).

Waarschuwing! Bij een te grote luchtdruk bestaat het gevaar dat het object uit elkaar klappt of dat iemand gewond raakt. Let op de maximale druk voor opblaasbare objecten. Deze druk wordt aangegeven door de fabrikant.

Opmerking: Als de aangegeven druk voor het object dat wordt opgeblazen hoger is dan 100 psi, dient u er rekening mee te houden dat u de pomp maximaal 10 minuten mag gebruiken. Laat de pomp vervolgens 20 minuten rusten voordat u deze weer gebruikt.

De pomp gebruiken

Waarschuwing! Werk niet met de pomp terwijl de motor van de auto draait.

Opmerking: Zorg ervoor dat het 12V-aansluitpunt voor de sigarettenaansteker onder spanning staat. Voor sommige auto's is het nodig dat de sleutel in de accessoirestand wordt gezet voordat de stekkerbus onder spanning komt te staan.

De display inschakelen

- ◆ Zorg er voor dat de 12V-stroomkabel volledig is uitgerold voordat u de kabel gebruikt.
- ◆ Sluit de 12V-adapter (6) aan op het 12V-aansluitpunt voor de sigarettenaansteker van het voertuig.
- ◆ De pomp werkt alleen als u de gewenste eenheid (psi, bar of kPa) en een drukwaarde instelt.

De gewenste druk instellen (fig. D)

Waarschuwing! Laat de pomp niet onbeheerd achter als deze aanstaat. In dat geval kunnen banden of andere objecten exploderen.

Opmerking: Het apparaat werkt alleen als u de automatische uitschakelfunctie hebt ingesteld.

- ◆ Om tussen de verschillende eenheden (kPa, psi of bar) te schakelen, drukt u de knoppen 8 & 9 tegelijkertijd in totdat de gewenste eenheid wordt weergegeven.
- ◆ Houd knop 8 of 9 gedurende 3 seconden ingedrukt totdat de display knippert.
- ◆ Terwijl de display knippert, drukt u op de knop - of + (8 & 9) totdat de gewenste druk wordt weergegeven.
- ◆ Na 3 seconden knippert de display en wordt weer "0,0" aangegeven. Dit is normaal.
- ◆ Sluit de universele ventieladapter en hulpstukken (indien nodig) aan op het object dat u wilt oppompen en controleer daarbij of de hendel van de ventieladapter omlaag staat zodat deze wordt vergrendeld.
- ◆ Schakel de pomp in door de aan-uitschakelaar (5) in de stand I te duwen.
- ◆ Als het op te blazen object de ingestelde waarde heeft bereikt, wordt het apparaat automatisch uitgeschakeld.
- ◆ Schakel de pomp uit door de schakelaar (5) in de stand 0 te duwen.
- ◆ Haal de ventieladapter of het hulpstuk uit het opgeblazen object en de 12V-adapter (6) uit het 12V-aansluitpunt voor de sigarettenaansteker.

Opmerking: Als de 12V-adapter wordt verwijderd uit het 12V-aansluitpunt van het voertuig, gaan alle instellingen verloren en moeten deze opnieuw worden ingevoerd volgens de instructies onder het kopje 'De gewenste druk instellen'.

Het lampje voor AREA gebruiken

- ◆ Als u het lampje voor AREA (1) wilt gebruiken, controleert u of de 12V-adapter (6) is aangesloten op het 12V-aansluitpunt voor de sigarettenaansteker van het voertuig.

Opmerking: Zorg ervoor dat het 12V-aansluitpunt voor de sigarettenaansteker onder spanning staat. Voor sommige auto's is het nodig dat de sleutel in de accessoirestand wordt gezet voordat de stekkerbus onder spanning komt te staan.

- ◆ Schakel het lampje voor AREA in door de aan-uitschakelaar voor het lampje voor AREA (7) aan de zijkant van het apparaat in de stand I te duwen.
- ◆ Schakel het lampje voor AREA uit door de aan-uitschakelaar voor het lampje voor AREA (7) aan de zijkant van het apparaat in de stand 0 te duwen.

De lamp vervangen (fig. E)

Waarschuwing! Voordat u deze procedure start moet u ervoor zorgen dat de 12V-adapter niet is aangesloten.

- ◆ Verwijder de schroef (10) uit de bovenkant van de lensdop (12).
- ◆ Trek de lensdop (12) met het lipje (11) omlaag om bij de lamp (13) te kunnen.
- ◆ Verwijder de lamp door erop te duwen en deze rechtsom te draaien (fig. E).
- ◆ Vervang de lamp (13) door een lamp van hetzelfde type en wattage (12V/5W).
- ◆ Plaats de lensdop (12) terug en zet deze vast met de schroef (10).

De pomp als drukmeter gebruiken

- ◆ Controleer of het apparaat is ingeschakeld zoals is beschreven in de sectie 'De pomp gebruiken'.
- ◆ Sluit de universele ventieladapter en hulpstukken (indien nodig) aan op het object dat u wilt oppompen en controleer daarbij of de hendel van de ventieladapter omlaag staat zodat deze wordt vergrendeld.
- ◆ Op de display wordt nu de druk in het object weergegeven.

Onderhoud

Uw Black & Decker-gereedschap/apparaat (met netsnoer/snoerloos) is ontworpen om gedurende langere periode te functioneren met een minimum aan onderhoud. U kunt het gereedschap naar volle tevredenheid blijven gebruiken als u voor correct onderhoud zorgt en het gereedschap regelmatig schoonmaakt.

Waarschuwing! Doe altijd het volgende voordat u onderhouds- of reinigingswerkzaamheden aan het gereedschap (met snoer/snoerloos) uitvoert.

- ◆ Schakel het gereedschap/apparaat uit en trek de stekker uit het stopcontact.
- ◆ Als het gereedschap/apparaat een afzonderlijke accu heeft, schakelt u het gereedschap/apparaat uit en haalt u de accu eruit.
- ◆ Als de accu is ingebouwd, laat u deze volledig ontladen. Schakel dan het apparaat uit.
- ◆ Neem de lader uit het stopcontact voordat u deze schoonmaakt. Naast regelmatig reiniging vereist de lader geen onderhoud.

Reinig regelmatig de ventilatieopeningen van het gereedschap/apparaat/lader met een zachte borstel of droge doek.

Reinig de behuizing van de motor regelmatig met een vochtige doek. Gebruik geen schuur- of oplosmiddel.

Open regelmatig de spanknop en tik erop om eventueel stof uit het binnenste te verwijderen (indien van toepassing).

Problemen oplossen

Probleem	Mogelijke oorzaak	Mogelijke oplossing
De pomp werkt niet	12V-adapter niet aangesloten	Sluit de 12V-adapter aan
	Aansluitpunt voor sigarettenaansteker niet onder spanning	Draai de contactsleutel in de accessoirestand
	Geen waarde ingesteld	Stel een waarde in
	De zekering in de 12V-adapter is stuk	Vervang de zekering door een zekering van hetzelfde formaat en type (8A/250V)
	De kabel of schakelaar is beschadigd.	Zorg ervoor dat de kabel of de schakelaar wordt vervangen bij een Black & Decker-servicecentrum of een geautoriseerd servicecentrum.

De zekering in het stopcontact voor gelijkstroomhulpmiddelen van het voertuig vervangen

- ◆ Draai de kap linksom om deze te verwijderen.
- ◆ Maak de dop en de centrale pin los.
- ◆ Verwijder de zekering.
- ◆ Plaats een nieuwe zekering van hetzelfde type en formaat (8A/250V).
- ◆ Plaats de dop en de centrale pin.
- ◆ Draai de kap rechtsom om deze op de stekker vast te zetten.

Milieu



Aparte inzameling. Dit product mag niet met normaal huishoudelijk afval worden weggegooid.

Mocht u op een dag constateren dat het Black & Decker-product aan vervanging toe is of dat u het apparaat niet meer nodig hebt, gooi het product dan niet bij het restafval. Het product valt onder de categorie voor elektrische apparaten.



Gescheiden inzameling van gebruikte producten en verpakkingsmaterialen maakt het mogelijk materialen te recyclen en opnieuw te gebruiken. Hergebruik van gerecycleerde materialen zorgt voor minder milieuvuiling en dringt de vraag naar grondstoffen terug.

Plaatselijke verordeningen kunnen voorzien in gescheiden inzameling van huishoudelijke elektrische producten via gemeentelijke stortplaatsen of via de leverancier bij wie u een nieuw product aanschaft.

Black & Decker biedt de mogelijkheid tot het recyclen van afgedankte Black & Decker-producten. Om gebruik te maken van deze service, dient u het product naar een van onze servicecentra te sturen, die de inzameling voor ons verzorgen.

U kunt het adres van het dichtstbijzijnde servicecentrum opvragen via de adressen op de achterzijde van deze handleiding. U kunt ook een lijst van onze servicecentra en meer informatie m.b.t. onze klantenservice vinden op het volgende internetadres: www.2helpU.com.

Batterijen



Gooi afgedankte batterijen op verantwoorde wijze weg:

- ◆ Voorkom dat de polen van de batterij worden kortgesloten.
- ◆ Werp batterijen niet in het vuur. Dit kan letsel of een explosie tot gevolg hebben.
- ◆ Ontlaad de batterij volledig en verwijder deze vervolgens uit het gereedschap.
- ◆ Batterijen kunnen worden gerecycled. Plaats de batterij(en) in een geschikte verpakking om te voorkomen dat de polen worden kortgesloten. Breng ze naar een servicecentrum of een inzamellocatie in uw woonplaats.

Technische gegevens


	ASI200
Ingangsspanning	Vdc 12
Ingangsstroom	A 8
Druk (max.)	kPa / psi / bar 827 / 120 / 8,27
Gewicht	kg 1,12

EG-conformiteitsverklaring

ASI200 H1

Black & Decker verklaart dat deze producten in overeenstemming zijn met:
Standaarden en wetgeving.
EN60335, 2006/95/EU

Ondergetekende is verantwoordelijk voor de compilatie van het technische bestand en doet deze verklaring namens Black & Decker



Kevin Hewitt
Director of Consumer Engineering
Spennymoor, County Durham DL16 6JG,
Verenigd Koninkrijk
09-07-2009

Om een beroep te doen op de garantie, dient u een aankoopbewijs te overhandigen aan de verkoper of een van onze servicecentra. U kunt het adres van het dichtstbijzijnde servicecentrum opvragen via de adressen op de achterzijde van deze handleiding. U kunt ook een lijst van onze servicecentra en meer informatie m.b.t. onze klantenservice vinden op het volgende internetadres: **www.2helpU.com**

Meld u aan op onze website **www.blackanddecker.nl** om te worden geïnformeerd over nieuwe producten en speciale aanbiedingen. Verdere informatie over het merk Black & Decker en onze producten vindt u op **www.blackanddecker.nl**.

Garantie

Black & Decker heeft vertrouwen in haar producten en biedt een uitstekende garantie. Deze garantiebepalingen vormen een aanvulling op uw wettelijke rechten en beperken deze niet. De garantie geldt in de lidstaten van de Europese Unie en de Europese Vrijhandelsassociatie.

Mocht uw Black & Decker product binnen 24 maanden na de datum van aankoop defect raken ten gevolge van materiaal- of constructiefouten, dan garanderen wij de kosteloze vervanging van defecte onderdelen, de reparatie van het product of de vervanging van het product, tenzij:

- ◆ Het product is gebruikt voor handelsdoeleinden, professionele toepassingen of verhuurdoeleinden;
- ◆ Het product onoordeelkundig is gebruikt;
- ◆ Het product is beschadigd door invloeden van buitenaf of door een ongeval;
- ◆ Reparaties zijn uitgevoerd door anderen dan onze servicecentra of Black & Decker-personeel.

Uso previsto

El compresor de inflado de Black & Decker está diseñado para utilizarse en la mayoría de vehículos con una toma de 12 voltios estándar para inflar neumáticos de automóviles y bicicletas, balones, lanchas, flotadores, etc. tanto en interiores como en exteriores. Este producto está pensado únicamente para uso doméstico.

Instrucciones de seguridad

¡Atención! Si utiliza aparatos alimentados por batería, es necesario tomar algunas precauciones de seguridad básicas, incluidas las facilidades a continuación, para reducir el riesgo de incendio, fugas del electrolito, lesiones y daños materiales.

- ◆ Lea todo el manual detenidamente antes de utilizar el aparato.
- ◆ En este manual se describe el uso para el que se ha diseñado el aparato. La utilización de accesorios o la realización de operaciones distintas de las recomendadas en este manual de instrucciones pueden presentar un riesgo de lesiones.
- ◆ Conserve este manual para futuras consultas.

Utilización del aparato

Tenga mucho cuidado al utilizar el aparato.

- ◆ Este aparato está pensado para utilizarse con la supervisión correspondiente en el caso de menores o personas que no cuentan con la fuerza necesaria.
- ◆ Este aparato no es un juguete.
- ◆ Utilícelo únicamente en lugares secos. Tenga cuidado de no mojar el aparato.
- ◆ No sumerja el aparato en agua.
- ◆ No abra la carcasa. Las piezas del interior del aparato no las puede reparar el usuario.
- ◆ No utilice el aparato en un entorno con peligro de explosión, en el que haya líquidos, gases o material en polvo inflamables.
- ◆ Utilice el aparato solamente en una zona bien ventilada.
- ◆ Para evitar dañar las clavijas y los cables, no tire del cable para extraer la clavija de la toma de corriente.

La seguridad de terceros

- ◆ Ninguna persona (incluidos los niños) con capacidades físicas, sensoriales o mentales disminuidas, o que carezca de experiencia y conocimientos, debe utilizar este aparato, salvo que haya recibido supervisión o formación con respecto al uso del aparato por parte de una persona responsable de su seguridad.
- ◆ Los niños deben vigilarse en todo momento para garantizar que el aparato no se toma como elemento de juego.

Después de la utilización

- ◆ Cuando el aparato no esté en uso, deberá guardarse en un lugar seco, bien ventilado y lejos del alcance de los niños.
- ◆ Los niños no deben tener acceso a los aparatos guardados.
- ◆ Cuando se guarde o transporte el aparato en un vehículo, deberá colocarse en el maletero o asegurarse para evitar movimientos producidos por cambios repentinos en la velocidad o la dirección.
- ◆ El aparato debe protegerse de la luz directa del sol, el calor y la humedad.

Inspecciones y reparaciones

- ◆ Antes de utilizarlo, compruebe que el aparato no tiene piezas dañadas o defectuosas. Compruebe que no hay piezas rotas, que los interruptores no están dañados y que no existen otros defectos que puedan afectar al funcionamiento del aparato.
- ◆ No utilice el aparato si presenta alguna pieza dañada o defectuosa.
- ◆ Solicite a un agente de servicio técnico autorizado la reparación o sustitución de las piezas dañadas o defectuosas.
- ◆ Nunca intente extraer ni sustituir piezas no especificadas en este manual.

Instrucciones de seguridad adicionales para compresores de inflado

- ◆ Para uso doméstico y en el vehículo. Infle, tanto en interiores como en exteriores, los neumáticos de la bicicleta y el coche, balones, flotadores y muchos otros objetos.
- ◆ El aire comprimido del compresor de inflado no se debe respirar. Jamás inhale aire del compresor de inflado o de un dispositivo de inhalación conectado al compresor.
- ◆ Infle solamente artículos recomendados por el fabricante. Si se supera el nivel de presión indicado, se podría ocasionar una explosión que provocara lesiones personales.
- ◆ No deje el compresor de inflado en funcionamiento sin vigilancia. Los neumáticos u otros artículos podrían estallar.
- ◆ No utilice el compresor de inflado en estantes elevados o superficies similares, ya que la vibración que genera el aparato puede llegar a desplazarlo. Utilícelo únicamente en el suelo o encima de una mesa de trabajo.
- ◆ No modifique el aparato ni intente repararlo. No realice ninguna perforación, soldadura o modificación en el compresor de inflado o sus accesorios.

- ◆ No utilice el compresor de inflado cuando el motor del automóvil esté en funcionamiento.
- ◆ Utilícelo únicamente con los accesorios suministrados o con accesorios para 8,28 bares/120 psi de presión como mínimo. El uso de esta herramienta con cualquier accesorio no recomendado podría resultar peligroso.
- ◆ No juegue con la herramienta. El aire de alta presión es peligroso. No dirija el flujo de aire hacia sí o hacia otras personas.
- ◆ Es posible que, al utilizarlo, el compresor de inflado se caliente. Déjelo enfriar durante 30 minutos antes de guardarlo.
- ◆ No coja nunca el compresor de inflado por la manguera.
- ◆ No dirija la boquilla ni la manguera a ninguna persona o animal.
- ◆ Guarde el compresor de inflado fuera del alcance de los niños.
- ◆ El medidor suministra información orientativa. La presión de los neumáticos debe revisarse periódicamente con un medidor certificado.
- ◆ Antes de utilizar el cable de alimentación, compruebe que no está dañado, gastado o deteriorado.
- ◆ No utilice el aparato si el cable de alimentación o el enchufe está dañado o es defectuoso (en los casos en los que esta recomendación sea aplicable).

Etiquetas en las herramientas

Encontrará los siguientes pictogramas en la herramienta:



¡Atención! Para reducir el riesgo de lesiones, el usuario debe leer el manual de instrucciones.



No exponga el aparato a la lluvia ni a la humedad.



Para realizar el mantenimiento o limpieza del aparato, antes debe desenchufar el cable de alimentación.



No deje el compresor de inflado sin vigilancia.

Características

1. Luz de área
2. Indicador de presión
3. Espacio de almacenamiento para la manguera de aire y el adaptador de 12 V
4. Manguera de aire con adaptador de válvula universal
5. Interruptor de encendido/apagado
6. Adaptador de 12 V
7. Interruptor de encendido/apagado de la luz del área

Uso

Almacenamiento de la manguera de aire y del cable (fig. A)

Enrolle el cable de cc alrededor de la base de la unidad y, a continuación coloque la manguera de aire (4) y el adaptador de 12 V (6) en el espacio de almacenamiento (3).

Ajuste de los accesorios (figs. B y C)

El compresor de inflado se suministra con inyector cónico estándar y con un inyector de compresor de inflado de aguja, que se encuentran en la base de la unidad (fig. C).

- ◆ Para utilizar el adaptador de válvula universal, compruebe que la palanca se encuentra levantada.
- ◆ Coloque el adaptador de válvula en el vástago de la aguja de inflado o del inyector cónico (fig. B).
- ◆ Baje la palanca del adaptador de válvula hasta que este encaje en su sitio.
- ◆ Coloque la aguja de inflado o el inyector cónico en el elemento que desee inflar.

Nota: Compruebe siempre que la palanca se encuentra levantada cuando no la esté utilizando.

Utilice el compresor de inflado solamente con el adaptador universal o las boquillas suministradas.

Nota: Asegúrese de que el adaptador de válvula universal encaja firmemente antes de encender el compresor.

Muchos artículos inflables tienen una solapa interna que evita que se pierda aire durante el inflado. A menos que el inyector desplace esta solapa, el artículo inflable no se inflará. Empuje firmemente el inyector en la válvula para asegurarse de que retira esta solapa.

Guarde la aguja de inflado dentro de uno de los inyectores cónicos y encájelos en las ranuras de almacenaje situadas en la parte inferior del compresor de inflado (fig. C).

¡Atención! Una presión de aire excesiva puede producir peligro de explosión o daños personales. Compruebe la indicación de presión máxima del fabricante de los artículos que se están inflando.

Nota: Si la presión máxima del artículo que se está inflando es superior a 100 psi, deberá inflar durante un máximo de 10 minutos, y dejarlo reposar 20 minutos antes de continuar inflando.

Uso del compresor de inflado

¡Atención! No utilice el compresor de inflado cuando el motor del automóvil esté en funcionamiento.

Nota: Compruebe que la toma accesoria de 12 V esté activa. En algunos vehículos, es posible que la llave de contacto tenga que encontrarse en la posición de accesorios para que se active la toma de corriente.

Encendido de la pantalla

- ◆ Antes de utilizar el aparato, extienda completamente el cable de 12 V de cc.
- ◆ Conecte el adaptador de 12 V (6) en la toma accesoria de 12 V del vehículo.
- ◆ Para activar el compresor de inflado debe ajustar las unidades necesarias (psi, bar o kPa) y el valor de presión.

Ajuste de la presión necesaria (fig. D)

¡Atención! No deje el compresor de inflado en funcionamiento sin vigilancia. Los neumáticos u otros artículos podrían estallar.

Nota: Debe ajustar la función de apagado automático antes de que la unidad empiece a funcionar.

- ◆ Para cambiar entre las distintas unidades (kPa, psi o bar), pulse los botones 8 y 9 simultáneamente hasta que se muestren las unidades deseadas.
- ◆ Mantenga pulsados los botones 8 o 9 durante 3 segundos hasta que parpadee la pantalla.
- ◆ Mientras parpadea la pantalla, pulse los botones - o + (8 y 9) hasta que se muestre la presión deseada.
- ◆ Transcurridos 3 segundos la pantalla parpadeará y volverá a mostrar la lectura "0.0". Esto es normal.
- ◆ Conecte el adaptador de válvula universal y los accesorios, si fuera necesario, al artículo que desea inflar, asegurándose de que la palanca del adaptador de válvula se encuentra hacia abajo y bloqueada.
- ◆ Para encender el compresor de inflado, coloque el interruptor de encendido/apagado (5) en la posición I.
- ◆ Cuando el artículo que debía inflar haya alcanzado el valor preajustado, la unidad se apagará automáticamente.
- ◆ Para apagar el compresor de inflado coloque el interruptor de encendido/apagado (5) en la posición 0.
- ◆ Retire el adaptador de válvula o accesorio del artículo inflado y el adaptador de 12 V (6) de la toma accesoria de 12 V del vehículo.

Nota: Si se desconecta el adaptador de 12 V de la toma accesoria de 12 V del vehículo, se perderán todos los ajustes y deberán volverse a introducir siguiendo las instrucciones que se incluyen en el apartado titulado "Ajuste de la presión necesaria".

Utilización de la luz de área

- ◆ Para utilizar la luz de área (1), compruebe que el adaptador de 12 V (6) se encuentra conectado a la toma accesoria de 12 V del vehículo.

Nota: Asegúrese de que la toma accesoria de 12 V esté activa. En algunos vehículos, es posible que deba ajustarse la llave en la posición de contacto para que se active la toma de corriente.

- ◆ Para encender la luz de área, pulse el interruptor de encendido/apagado (7) de la luz de área situado en el lateral de la unidad para colocarlo en la posición I.
- ◆ Para apagar la luz de área, pulse el interruptor de encendido/apagado (7) de la luz de área situado en el lateral de la unidad para colocarlo en la posición 0.

Sustitución de la bombilla (fig. E)

¡Atención! Asegúrese de que el adaptador de 12 V no se encuentra conectado antes de iniciar este procedimiento.

- ◆ Extraiga el tornillo (10) de la parte superior de la tapa del objetivo (12).
- ◆ Tire de la tapa del objetivo (12) hacia abajo mediante la lengüeta (11) para acceder a la bombilla (13).
- ◆ Para extraer la bombilla, presione hacia dentro y gírela hacia la derecha (fig. E).
- ◆ Sustituya la bombilla (13) por una del mismo tipo y voltaje (12 V/5 W).
- ◆ Coloque la tapa del objetivo (12) y fijela con el tornillo (10).

Uso del compresor de inflado como indicador de presión

- ◆ Compruebe que la unidad recibe alimentación tal como se ha descrito en el apartado "Uso del compresor de inflado".
- ◆ Conecte el adaptador de válvula universal y los accesorios, si fuera necesario, al artículo que desea inflar, asegurándose de que el adaptador de válvula se encuentra en posición hacia abajo y bloqueada.
- ◆ La pantalla mostrará el valor de presión real del artículo.

Mantenimiento

Este aparato o herramienta con o sin cable de Black & Decker se ha diseñado para que funcione durante un largo período de tiempo con un mantenimiento mínimo. El funcionamiento satisfactorio continuado depende de un cuidado apropiado y una limpieza periódica de la herramienta.

¡Atención! Antes de realizar el mantenimiento de herramientas eléctricas con o sin cables:

- ◆ Apague y desenchufe el aparato o herramienta.
- ◆ O bien, apague y extraiga las pilas o la batería del aparato o herramienta, en caso de que disponga de una batería separada.
- ◆ O bien, deje que la batería se agote por completo si es integral y, a continuación, apague el aparato.
- ◆ Desenchufe el cargador antes de limpiarlo. El cargador no requiere ningún mantenimiento especial excepto la limpieza.

Limpie periódicamente las ranuras de ventilación de la herramienta, aparato o cargador con un cepillo suave o un paño seco.

Limpie periódicamente la carcasa del motor con un paño húmedo. No utilice limpiadores de base abrasiva o disolventes.

Abra regularmente el manguito de sujeción y golpéelo suavemente para eliminar los restos de polvo que haya en su interior (si se encuentra colocado).

Solución de problemas

Problema	Causa posible	Posible solución
El compresor de inflado no funciona.	No se ha conectado el adaptador de 12 V	Conecte el adaptador de 12 V
	La toma accesoria no está activa.	Gire la llave de encendido hacia la posición de accesorios.
	No existen valores preajustados.	Establezca un valor preajustado.
	El fusible del adaptador de 12 voltios se ha fundido.	Sustituya el fusible por uno del mismo tipo y tamaño (8 A/250 V).
	El cable o el interruptor están dañados.	Póngase en contacto con un centro de asistencia técnica de Black & Decker o un centro de asistencia técnica autorizado para sustituir dicho cable o interruptor.

Sustitución del fusible del conector accesorio de cc del vehículo

- ◆ Gire la cubierta hacia la izquierda para extraerla.
- ◆ Afloje la cubierta y el pasador central.
- ◆ Extraiga el fusible.
- ◆ Coloque un fusible nuevo del mismo tipo y tamaño (8 A/250 V).
- ◆ Vuelva a poner la cubierta y el pasador central.
- ◆ Gire la cubierta hacia la derecha para fijarla firmemente en la clavija.

Protección del medio ambiente



Recogida selectiva. No se debe desechar este producto con el resto de residuos domésticos.

Si llegase el momento en que fuese necesario sustituir su producto Black & Decker o si este dejase de tener utilidad para usted, no lo deseche junto con los residuos domésticos. Sepárelo para su recogida selectiva.



La recogida selectiva de productos y embalajes usados permite el reciclaje de materiales y su reutilización. La reutilización de materiales reciclados contribuye a evitar la contaminación medioambiental y reduce la demanda de materias primas.

Las normativas municipales deben ofrecer la recogida selectiva de productos eléctricos del hogar, en puntos municipales previstos para tal fin o a través del distribuidor cuando adquiera un nuevo producto.

Black & Decker proporciona facilidades para la recogida y reciclado de los productos Black & Decker que han llegado al final de su vida útil. Para poder utilizar este servicio, le rogamos que entregue el producto a cualquier agente de servicio técnico autorizado para que se haga cargo de él en nuestro nombre.

Para consultar la dirección del agente de servicio técnico más cercano, póngase en contacto con la oficina local de Black & Decker en la dirección que se indica en este manual. Como alternativa, puede consultar en Internet la lista de servicios técnicos autorizados e información completa de nuestros servicios de posventa y contactos en la dirección siguiente: www.2helpU.com.

Baterías



Al final de su vida útil, deséchelas respetando el medio ambiente:

- ◆ Procure no provocar un cortocircuito entre los terminales de la batería.
- ◆ No arroje las baterías al fuego, ya que podría provocar daños personales o una explosión.
- ◆ Deje que la batería se agote por completo y, a continuación, extráigala de la herramienta.
- ◆ Las baterías son reciclables. Coloque las baterías en un embalaje adecuado de modo que los terminales no entren en contacto y provoquen un cortocircuito. Llévelas al agente autorizado más cercano o a un centro de reciclaje local.

Características técnicas

ASI200	
Voltaje de entrada	V de cc 12
Corriente de entrada	A 8
Presión (máx.)	kPa / psi / bar 827 / 120 / 8,27
Peso	kg 1,12

Declaración de conformidad CE

ASI200 H1

Black & Decker declara que estos productos cumplen las normas siguientes:

Normativas y legislación
EN60335, 2006/95/CE

La persona que firma a continuación es responsable de la recopilación del archivo técnico y realiza esta declaración en nombre de Black & Decker.



Kevin Hewitt
Director de Ingeniería del Consumidor
Spennymoor, County Durham DL16 6JG,
Reino Unido
09-07-2009

Para reclamar en garantía, será necesario que presente la prueba de compra al vendedor o al agente de servicio técnico autorizado. Puede consultar la dirección de su agente de servicio técnico más cercano si se pone en contacto con la oficina local de Black & Decker en la dirección que se indica en este manual. Como alternativa, se puede consultar en Internet la lista de servicios técnicos autorizados e información completa de nuestros servicios de postventa y contactos en la dirección siguiente:
www.2helpU.com

Visite el sitio web **www.blackanddecker.eu** para registrar su nuevo producto Black & Decker y estar al día sobre productos y ofertas especiales. Encontrará información adicional sobre la marca Black & Decker y nuestra gama de productos en **www.blackanddecker.eu**.

Garantía

Black & Decker confía plenamente en la calidad de sus productos y ofrece una garantía extraordinaria. Esta declaración de garantía es un añadido, y en ningún caso un perjuicio para sus derechos estatutarios. La garantía es válida dentro de los territorios de los Estados miembros de la Unión Europea y de los de la Zona Europea de Libre Comercio.

Si cualquier producto de Black & Decker resultara defectuoso debido a materiales o mano de obra defectuosos o a la falta de conformidad, Black & Decker garantiza, dentro de los 24 meses posteriores a la fecha de compra, la sustitución de las piezas defectuosas, la reparación de los productos sujetos a un desgaste y rotura razonables o la sustitución de tales productos para garantizar al cliente el mínimo de inconvenientes, a menos que:

- ◆ El producto se haya utilizado con propósitos comerciales, profesionales o de alquiler.
- ◆ El producto se haya sometido a un uso inadecuado o negligente.
- ◆ El producto haya sufrido daños causados por objetos, sustancias extrañas o accidentes.
- ◆ Se hayan realizado reparaciones por parte de personas que no sean agentes de servicio técnico autorizado o personal de servicios de Black & Decker.

Utilização

O seu insuflador Black & Decker destina-se a ser utilizado na maioria dos veículos a partir da tomada padrão de 12 Volts para encher pneus de automóveis e bicicletas, bolas, barcos insufláveis, bóias, etc. Este produto destina-se apenas a utilização doméstica do consumidor.

Instruções de segurança

Advertência! Quando utilizar aparelhos alimentados a pilhas, deve cumprir determinadas medidas de segurança, incluindo as que se seguem, de modo a reduzir os riscos de incêndio, fugas nas pilhas, ferimentos pessoais e danos do material.

- ◆ Leia cuidadosamente o manual completo antes de utilizar este aparelho.
- ◆ A utilização prevista para este aparelho está descrita no manual. A utilização de qualquer acessório ou a realização de qualquer operação com este aparelho que não sejam recomendadas no presente manual de instruções poderá representar um risco de ferimentos.
- ◆ Conserve este manual para referência futura.

Utilizar o seu aparelho

Tenha sempre cuidado quando utiliza este aparelho.

- ◆ Este aparelho não deve ser utilizado por jovens ou pessoas doentes sem supervisão.
- ◆ Este aparelho não deve ser utilizado como um brinquedo.
- ◆ Utilize apenas num local seco. Não deixe que o aparelho fique molhado.
- ◆ Não mergulhe o aparelho em água.
- ◆ Não abra a estrutura do produto. Não existem peças para manipulação pelo utilizador no interior.
- ◆ Não utilize o equipamento em áreas com risco de explosão, nas quais se encontrem líquidos, gases ou poeiras inflamáveis.
- ◆ Utilize o aparelho apenas numa área bem ventilada.
- ◆ Para reduzir o risco de danos nas fichas e cabos, nunca puxe o cabo para remover a ficha de uma tomada.

Segurança de terceiros

- ◆ Este aparelho não deve ser utilizado por pessoas (incluindo crianças) que apresentem capacidades físicas, sensoriais ou mentais reduzidas ou que não possuam os conhecimentos e a experiência necessários, excepto se forem vigiadas e instruídas acerca da utilização do aparelho por uma pessoa responsável pela sua segurança.
- ◆ As crianças deverão ser vigiadas para que não mexam no aparelho.

Após a utilização

- ◆ Quando não for utilizado, o aparelho deve ser guardado num local seco e com boa ventilação, longe do alcance das crianças.
- ◆ As crianças não devem ter acesso aos aparelhos armazenados.
- ◆ Quando o aparelho for guardado ou transportado num veículo, deverá ser colocado na bagageira ou fixo de forma a evitar o movimento devido a alterações súbitas na velocidade ou direcção.
- ◆ Este aparelho deve ser protegido da luz solar directa, do calor e da humidade.

Inspeção e reparações

- ◆ Antes da utilização, verifique se o aparelho contém peças danificadas ou avariadas. Verifique se há peças partidas, danos nos interruptores ou outro tipo de condições que possam afectar o seu funcionamento.
- ◆ Não utilize este aparelho se alguma das suas peças estiver danificada ou avariada.
- ◆ Mandê reparar ou substituir quaisquer peças danificadas ou avariadas por um agente de reparação autorizado.
- ◆ Nunca tente retirar ou substituir quaisquer peças que não as especificadas neste manual.

Instruções de segurança adicionais para insufladores

- ◆ Apenas para utilização doméstica e em veículos. Encha pneus de automóveis e bicicletas, bolas, bóias, etc.
- ◆ O ar comprimido do seu insuflador não é seguro para ser respirado. Nunca inale o ar do seu insuflador ou de um dispositivo ligado ao insuflador.
- ◆ Encha apenas os itens de acordo com as recomendações do respectivo fabricante. Se exceder a pressão, poderá provocar uma explosão e originar ferimentos.
- ◆ Esteja sempre perto do insuflador quando este estiver em funcionamento. Poderá rebentar pneus ou outros itens.
- ◆ Dado que as vibrações produzidas pelo insuflador poderão fazer com que o artigo se mova, não o coloque em funcionamento numa prateleira elevada ou outra superfície. Coloque-o em funcionamento apenas ao nível do solo ou de um banco.
- ◆ Não modifique nem tente repará-lo. Nunca perfure, solde ou faça modificações no insuflador ou nos respectivos acessórios.
- ◆ Não coloque o insuflador em funcionamento quando o motor estiver ligado.

- ◆ Trabalhe apenas com os acessórios fornecidos ou classificados para uma pressão de 8,28 bar/120 psi ou superior. A utilização de qualquer acessório não recomendado para a utilização com esta ferramenta poderá ser perigosa.
- ◆ Não brinque com a ferramenta. O ar comprimido é perigoso. Não direcione o fluxo do ar para si ou para terceiros.
- ◆ O insuflador pode ficar quente durante a utilização. Deixe o insuflador arrefecer durante 30 minutos antes de o guardar.
- ◆ Nunca transporte o insuflador pelo tubo.
- ◆ Não aponte o bocal ou o tubo em direcção a animais ou transeuntes.
- ◆ Guarde o insuflador fora do alcance das crianças.
- ◆ O manómetro serve apenas para fins indicativos. As pressões dos pneus devem ser verificadas regularmente com um manómetro certificado.
- ◆ Antes de utilizar, verifique se o cabo de alimentação apresenta sinais de corrosão, danos ou desgaste.
- ◆ Não utilize o aparelho se o cabo de alimentação ou a ficha de alimentação se encontrar danificada ou avariada (se aplicável).

Rótulos nas ferramentas

A ferramenta apresenta os seguintes pictogramas:



Advertência! Para reduzir o risco de lesões, o utilizador deve ler o manual de instruções.



Não exponha a máquina à chuva ou humidade elevada



Antes de executar qualquer manutenção ou limpeza no aparelho, desligue o cabo de alimentação.



Não deixe o insuflador sem vigilância.

Funções

1. Luz de área
2. Manómetro de pressão
3. Local de armazenamento do tubo de ar e do transformador de 12 Volt
4. Tubo de ar com adaptador de válvula universal
5. Interruptor para ligar/desligar
6. Transformador de 12 Volts
7. Interruptor para ligar/desligar a luz de área

Utilização

Armazenamento do tubo de ar e do cabo (fig. A)

Enrole o cabo CC à volta da base da unidade e, em seguida, coloque o tubo de ar (4) e o transformador de 12 Volts (6) no local de armazenamento (3).

Fixar os acessórios (fig. B e C)

O seu insuflador é fornecido com os bocais cónicos padrão e com o bocal do insuflador de agulha; estes componentes estão localizados na base da unidade (fig. C).

- ◆ Para utilizar o adaptador de válvula universal, certifique-se de que a alavanca se encontra para cima.
- ◆ Coloque o adaptador de válvula sobre a ponta da agulha ou do bocal cónico do insuflador (fig. B).
- ◆ Pressione a alavanca no adaptador de válvula para baixo para bloqueá-la.
- ◆ Coloque a agulha ou o bocal cónico do insuflador no equipamento a encher.

Nota: Certifique-se sempre de que a alavanca está para cima quando não está a ser utilizada.

O Insuflador apenas deverá ser posto em funcionamento com o adaptador de válvula universal ou com os bocais fornecidos.

Nota: Certifique-se de que o adaptador de válvula universal está fixo antes de ligar o Insuflador.

Muitos insufláveis possuem uma patilha interna que evita a fuga de ar durante o enchimento. Se essa patilha não for deslocada pelo bocal, o insuflável de ar não será enchido. Introduza o bocal com firmeza na válvula para garantir que essa patilha é afastada.

Guarde a agulha do insuflador dentro de um dos bocais cónicos e encaixe estes últimos nas ranhuras de armazenamento situadas na parte inferior do Insuflador (fig. C).

Advertência! A pressão de ar excessiva pode originar um risco de rebentamento ou ferimentos. Verifique o nível de pressão máxima indicado pelo fabricante para os itens a encher.

Nota: Se o nível de pressão do item a encher for superior a 100 psi, tenha em atenção que o período máximo de funcionamento é de 10 minutos; deixe o aparelho em repouso durante 20 minutos antes de o utilizar novamente.

Utilizar o insuflador

Advertência! Não coloque o insuflador em funcionamento quando o motor do veículo estiver ligado.

Nota: Certifique-se de que a ficha de acessórios de 12 Volts está activa. Em alguns veículos, a ficha de acessórios pode apenas ficar activa quando a chave de ignição estiver na posição de acessórios.

Ligar o visor

- ◆ Estenda sempre totalmente o cabo 12 V CC antes de cada utilização.
- ◆ Ligue o transformador de 12 Volts (6) à ficha de acessórios de 12 Volts do veículo.
- ◆ Para permitir que o insuflador funcione, é necessário definir as unidades pretendidas (psi, bar ou kPa) e um valor de pressão.

Definir a pressão pretendida (fig. D)

Advertência! Esteja sempre perto do insuflador quando este estiver em funcionamento. Poderá rebentar pneus ou outros itens.

Nota: É necessário definir a função de desactivação automática antes de colocar a unidade em funcionamento.

- ◆ Para alternar entre as diferentes unidades (kPa, psi ou bar), prima os botões 8 e 9 ao mesmo tempo até as unidades pretendidas serem apresentadas.
- ◆ Mantenha premido o botão 8 ou 9 durante 3 segundos até o visor piscar.
- ◆ Enquanto o visor estiver a piscar, prima os botões - ou + (8 e 9) até a pressão pretendida ser apresentada.
- ◆ Ao fim de 3 segundos, o visor piscará e regressará a uma leitura de "0.0". Isto é normal.
- ◆ Ligue o adaptador de válvula universal e os acessórios, se necessários, ao item a encher, certificando-se de que a alavanca do adaptador de válvula se encontra para baixo de modo a bloqueá-la.
- ◆ Para ligar o insuflador, coloque o interruptor de ligar/desligar (5) na posição I.
- ◆ Quando o item a encher atingir o valor predefinido, a unidade desligar-se-á automaticamente.
- ◆ Para desligar o insuflador, coloque o interruptor (5) na posição 0.
- ◆ Retire o adaptador de válvula ou o acessório do item enchido e o transformador de 12 Volts (6) da ficha de acessórios de 12 Volts do veículo.

Nota: Se o transformador de 12 Volts for removido da ficha de acessórios de 12 Volts do veículo, todas as definições se perderão e será necessário introduzi-las seguindo as instruções sob o título "Definir a pressão pretendida".

Utilizar a luz de área

- ◆ Para utilizar a luz de área (1), certifique-se de que o transformador de 12 Volts (6) está ligado à ficha de acessórios de 12 Volts do veículo.

Nota: Certifique-se de que a ficha de acessórios de 12 Volts está activa. Em alguns veículos, a ficha de acessórios pode apenas ficar activa quando a chave de ignição estiver na posição de acessórios.

- ◆ Para ligar a luz de área, coloque o interruptor para ligar/desligar a luz de área (7) localizado na parte lateral da unidade na posição I.
- ◆ Para desligar a luz de área, coloque o interruptor para ligar/desligar a luz de área (7) localizado na parte lateral da unidade na posição 0.

Substituir a lâmpada (fig. E)

Advertência! Certifique-se de que o transformador de 12 Volts não está ligado antes de iniciar este procedimento.

- ◆ Retire o parafuso (10) da parte superior da tampa da lente (12).
- ◆ Puxe a tampa da lente (12) para baixo utilizando a patilha (11) para aceder à lâmpada (13).
- ◆ Para retirar a lâmpada, empurre para dentro e rode no sentido dos ponteiros do relógio (fig. E).
- ◆ Substitua a lâmpada (13) por uma do mesmo tipo e potência (12 V/5 W).
- ◆ Coloque a tampa da lente (12) e fixe-a com o parafuso (10).

Utilizar o insuflador como manómetro de pressão

- ◆ Certifique-se de que a unidade é ligada conforme descrito na secção "Utilizar o insuflador".
- ◆ Ligue o adaptador de válvula universal e os acessórios, se necessários, ao item a encher, certificando-se de que a alavanca do adaptador de válvula se encontra para baixo de modo a bloqueá-la.
- ◆ O visor apresentará agora o valor de pressão actual do item.

Manutenção

O aparelho/ferramenta Black & Decker com cabo/sem fios foi concebido para funcionar por um longo período de tempo com uma manutenção mínima. Um funcionamento contínuo e satisfatório depende de uma manutenção adequada e da limpeza regular da ferramenta.

Advertência! Antes de proceder a qualquer acção de manutenção em ferramentas eléctricas com cabo/sem fios:

- ◆ Desligue o aparelho/ferramenta e retire a respectiva ficha da tomada.
- ◆ Ou desligue e remova a pilha do aparelho/ferramenta caso o aparelho/ferramenta tenha uma bateria individual.
- ◆ Ou deixe a pilha descarregar completamente se estiver incorporada e, em seguida, desligue-a.
- ◆ Desligue o carregador antes de o limpar. O carregador não necessita de manutenção para além da limpeza regular.

Limpe regularmente as aberturas de ventilação do aparelho/ferramenta/carregador com uma escova suave ou um pano seco.

Limpe regularmente o compartimento do motor com um pano húmido. Não utilize nenhum produto de limpeza abrasivo ou à base de solvente.

Abra o mandril regularmente e bata no mesmo para remover qualquer vestígio de pó do seu interior (quando colocado).

Resolução de problemas

Problema	Possível causa	Possível solução
O insuflador não funciona	Transformador de 12 Volts não ligado	Ligue o transformador de 12 Volts
	Ficha de acessórios não activa	Rode a chave para a posição de acessórios
	Nenhum valor predefinido estabelecido	Estabeleça um valor predefinido
	O fusível no transformador de 12 Volts está fundido	Substitua o fusível por um do mesmo tamanho e tipo (8 A/250 V)
	O cabo ou o interruptor está danificado.	Substitua o cabo ou o interruptor num Centro de Assistência Autorizado Black & Decker.

Substituir o fusível na ficha de acessórios CC do veículo

- ◆ Retire a tampa, rodando-a no sentido contrário ao dos ponteiros do relógio.
- ◆ Solte a tampa e o pino central.
- ◆ Retire o fusível.
- ◆ Coloque um novo fusível do mesmo tipo e tamanho (8 A/250 V).
- ◆ Volte a colocar a tampa e o pino central.
- ◆ Aperte a tampa, rodando-a no sentido dos ponteiros do relógio em direcção à ficha.

Protecção do ambiente



Recolha separada. Este produto não pode ser eliminado juntamente com os resíduos domésticos normais.

Se, em algum momento, for necessário substituir o aparelho ou se este deixar de ter utilidade, não elimine o produto num caixote do lixo. Este produto pode ser separado para reciclagem.



A recolha separada de produtos e embalagens usados permite que os materiais sejam reciclados e reutilizados. A reutilização de materiais reciclados ajuda a evitar a poluição ambiental e reduz a procura de matérias-primas.

A legislação local poderá prever a recolha separada de produtos domésticos eléctricos, seja em lixeiras municipais ou através do revendedor quando adquire um produto novo.

A Black & Decker dispõe de instalações para recolha e reciclagem de produtos Black & Decker quando estes atingem o fim da sua vida útil. Para usufruir deste serviço, devolva o produto em qualquer agente de reparação autorizado, que os recolherá em seu nome.

Pode verificar a localização do agente de reparação autorizado mais perto de si, contactando os escritórios locais da Black & Decker através do endereço indicado neste manual. Se preferir, pode encontrar na Internet uma lista de agentes de reparação autorizados Black & Decker, detalhes completos e contactos do serviço pós-venda, no endereço: www.2helpU.com.

Pilhas



Quando as pilhas chegarem ao fim da sua vida útil, elimine-as de forma segura para o ambiente:

- ◆ Não coloque os terminais das pilhas em curto-circuito.
- ◆ Não elimine as pilhas queimando-as, dado que tal constitui um risco de ferimentos ou de explosão.
- ◆ Deixe a bateria descarregar completamente e, em seguida, remova-a da ferramenta.
- ◆ As pilhas são recicláveis. Coloque as pilhas numa embalagem adequada, certificando-se de que os terminais não entram em curto-circuito. Leve as pilhas ao seu agente de manutenção autorizado ou a uma estação de reciclagem local.

Dados técnicos

ASI200	
Tensão de entrada	V CC 12
Corrente de entrada	A 8
Pressão (máx.)	kPa / psi / bar 827 / 120 / 8,27
Peso	kg 1,12

Declaração de conformidade CE

ASI200 H1

A Black & Decker declara que estes produtos estão em conformidade com:
Normas e legislação.
EN60335, 2006/95/CE

O signatário é responsável pela compilação do ficheiro técnico e efectua esta declaração em nome da Black & Decker



Kevin Hewitt
Director de Engenharia de Consumo
Spennymoor, County Durham DL16 6JG,
Reino Unido
09-07-2009

Para accionar a garantia, terá de apresentar um comprovativo de compra ao vendedor ou a um agente de reparação autorizado. Pode verificar a localização do agente de reparação autorizado mais perto de si, contactando os escritórios locais da Black & Decker através do endereço indicado neste manual. Se preferir, pode encontrar na Internet uma lista de agentes de reparação autorizados Black & Decker, detalhes completos e contactos do serviço pós-venda, no endereço: www.2helpU.com
Visite o nosso website www.blackanddecker.eu para registar o novo produto Black & Decker e manter-se actualizado relativamente a novos produtos e ofertas especiais. Pode encontrar mais informações sobre a marca Black & Decker e nossa gama de produtos em www.blackanddecker.eu.

Garantia

A Black & Decker confia na qualidade dos seus produtos e oferece uma garantia excelente. Esta declaração de garantia é um complemento dos seus direitos estabelecidos por lei, não os prejudicando de forma alguma. A garantia é válida nos territórios dos Estados Membros da União Europeia e da Associação Europeia de Comércio Livre.

Se um produto Black & Decker se avariar devido a defeitos de material, fabrico ou não conformidade, num período de 24 meses após a data da compra, a Black & Decker garante a substituição de peças defeituosas, a reparação de produtos sujeitos a um desgaste aceitável ou a substituição dos mesmos para garantir o mínimo de inconveniente ao cliente, excepto se:

- ◆ O produto tiver sido utilizado para fins comerciais, profissionais ou de aluguer.
- ◆ O produto tiver sido submetido a utilização indevida ou descuido.
- ◆ O produto tiver sido danificado por objectos estranhos, substâncias ou acidentes.
- ◆ Tiverem sido tentadas reparações por pessoas que não agentes de reparação autorizados ou técnicos de manutenção da Black & Decker.

Användningsområde

Den här luftpumpen från Black & Decker kan användas i de flesta fordon med standard 12 V-uttag för att pumpa bil- och cykeldäck, bollar, luftmadrasser, badleksaker m.m. Produkten är endast avsedd för konsumentanvändning i hemmet.

Säkerhetsinstruktioner

Varning! Vid användning av batteridrivna redskap ska grundläggande säkerhetsföreskrifter, inklusive följande föreskrifter, alltid följas. Detta för att minska risken för brand, läckande batterier, personskador och materiella skador.

- ◆ Läs hela den här bruksanvisningen noggrant innan du använder redskapet.
- ◆ Användningsområdet beskrivs i den här bruksanvisningen. Användning av andra tillbehör eller tillsatser eller andra åtgärder som utförs med redskapet än de som rekommenderas i den här bruksanvisningen kan leda till personskador.
- ◆ Spara den här bruksanvisningen för framtida referens.

Använda redskapet

Var alltid försiktig när du använder redskapet.

- ◆ Redskapet är inte avsedd att användas av unga eller oerfarna personer utan övervakning.
- ◆ Redskapet ska inte användas som leksak.
- ◆ Använd det endast på torra ställen. Skydda redskapet från väta.
- ◆ Doppa aldrig redskapet i vatten.
- ◆ Öppna inte höljet. Det finns inga delar inuti som kan repareras.
- ◆ För att undvika risken för explosion bör du inte använda redskapet i miljöer med brandfarliga vätskor, gaser eller damm.
- ◆ Använd endast redskapet på platser med god ventilation.
- ◆ Dra aldrig i sladden när du vill ta ut kontakten ur uttaget. Detta för att minska risken för skador på kontakter och sladdar.

Säkerhet för andra

- ◆ Redskapet ska inte användas av personer (inklusive barn) med nedsatt fysisk eller psykisk förmåga eller bristande erfarenhet och kunskap, om de inte får vägledning och övervakas av en person som ansvarar för deras säkerhet.
- ◆ Barn ska hållas under uppsikt så att de inte leker med redskapet.

Efter användning

- ◆ När redskapet inte används bör det förvaras utom räckhåll för barn på en torr plats med god ventilation.
- ◆ Placera redskapet på ett ställe där barn inte kan komma åt det.

- ◆ När redskapet förvaras eller transporteras i en bil ska det placeras i bagageutrymmet eller spännas fast för att förhindra rörelse om bilen plötsligt ändrar hastighet eller riktning.
- ◆ Exponera inte redskapet för direkt solljus, värme eller fukt.

Kontroll och reparationer

- ◆ Innan du använder redskapet ska du kontrollera att det är helt och att inga delar är skadade. Kontrollera att inga delar är trasiga, att strömbrytaren fungerar och att inget annat föreligger som kan påverka redskapets funktion.
- ◆ Använd inte redskapet om någon del har skadats eller gått sönder.
- ◆ Låt en auktoriserad verkstad reparera eller byta ut skadade eller trasiga delar.
- ◆ Försök aldrig ta bort eller byta ut andra delar än de som anges i den här bruksanvisningen.

Extra säkerhetsinstruktioner för luftpumpar

- ◆ Endast för användning hemma och i bilen. För pumpning av bil- och cykeldäck, bollar, badleksaker med mera i och i anslutning till hemmet.
- ◆ Tryckluften från luftpumpen kan vara farlig att inandas. Andas aldrig in luft från luftpumpen eller från en andningsanordning som är ansluten till luftpumpen.
- ◆ Pumpa föremål endast enligt tillverkarens rekommendationer. Om det angivna maxtrycket överskrids kan de explodera och orsaka personskador.
- ◆ Lämna aldrig luftpumpen påslagen oövervakad. Den kan få däck och andra föremål att sprängas.
- ◆ Vibrationerna som uppstår när luftpumpen är påslagen kan få den att flytta på sig. Lämna den därför aldrig påslagen på höga hyllor eller andra högt belägna ytor. Använd den endast på marken/golvet eller i knähöjd.
- ◆ Gör inga förändringar på pumpen och försök inte reparera den. Borra eller svetsa inte i pumpen eller dess tillbehör och gör inga förändringar av den/dem.
- ◆ Använd inte luftpumpen medan bilens motor är i gång.
- ◆ Använd den endast med de medföljande tillbehören eller med tillbehör som är godkända för 8,28 bar/120 psi eller högre. Det kan vara farligt att använda tillbehör som inte är rekommenderade för användning med denna pump.
- ◆ Lek inte med redskapet. Tryckluft är farlig. Rikta inte luftstrålen mot dig själv eller någon annan.
- ◆ Luftpumpen kan bli varm under användning. Låt den svalna under 30 minuter innan du ställer undan den.
- ◆ Bär aldrig pumpen genom att lyfta i slangen.
- ◆ Rikta inte munstycket eller slangen mot djur eller människor.

- ◆ Förvara luftpumpen utom räckhåll för barn när den inte används.
- ◆ Mätarens värden ska endast användas som en vägledning. Däcktrycket ska kontrolleras regelbundet med en godkänd mätare.
- ◆ Före användning kontrollerar du om nåttsladden visar tecken på skador, utnötning eller slitage.
- ◆ Använd inte redskapet om nåttsladden eller nätkontakten är skadad eller defekt.

Etiketter på redskap

Följande symboler finns på redskapet:



Varning! Läs bruksanvisningen före användning för att minska risken för olyckor.



Utsätt inte redskapet för regn och väta



Dra ut elsladden ur eluttaget innan du utför underhåll på eller rengör redskapet.



Lämna aldrig luftpumpen oövervakad.

Funktioner

1. Områdesbelysning
2. Tryckmätare
3. Förvaringsutrymme för luftslang och 12 V-adapter
4. Luftslang med universalventiladapter
5. Strömbrytare
6. 12 V-adapter
7. Strömbrytare för områdesbelysning

Användning

Förvaring av luftslangen och sladden (fig. A)

Linda likströmssladden runt basenheten och stoppa sedan in luftslangen (4) och 12 V-adaptern (6) i förvaringsutrymmet (3).

Montera tillbehör (fig. B och C)

Din luftpump är utrustad med de vanliga konformade pumpmunstyckena och ett nålformat pumpmunstycke som alla sitter på basenheten.

- ◆ Se till att spaken är i uppåtläge när du använder universalventiladaptern.
- ◆ Placera ventiladaptern över skafet på det nålformade pumpmunstycket eller det konformade munstycket (fig. B).

- ◆ Tryck ner spaken på ventiladaptern för att låsa fast den.
- ◆ För in det nålformade pumpmunstycket eller det konformade munstycket i det föremål som ska pumpas upp.

Obs! Se till att spaken är i uppåtläge när den inte används.

Använd endast luftpumpen med universalventiladaptern eller de medföljande munstyckena.

Obs! Se till att universalventiladaptern sitter ordentligt fast innan du sätter på pumpen.

Många uppblåsbara föremål har en inre spärr som hindrar att luft tränger ut under uppumpning. Munstycket måste trycka undan denna spärr för att det ska gå att pumpa det uppblåsbara föremålet. Tryck in munstycket ordentligt i ventilen, så att denna spärr säkert trycks undan.

Förvara det nålformade pumpmunstycket inuti ett av de konformade munstyckena och snäpp fast de konformade munstyckena i förvaringsspåren på pumpens undersida (fig. C).

Varning! Ett för högt lufttryck kan medföra fara. Det pumpade föremålet kan explodera och orsaka personskador. Ta reda på det av tillverkaren rekommenderade maxtrycket för de föremål du ska pumpa.

Obs! Observera att maximal drifttid är 10 minuter om trycket för det föremål som ska pumpas upp är högre än 100 psi. Låt sedan luftpumpen vila i 20 minuter innan den används igen.

Använda luftpumpen

Varning! Använd inte luftpumpen medan bilens motor är i gång.

Obs! Kontrollera att 12 V-tillbehörsuttaget fungerar. På en del bilar måste nyckeln befinna sig i tillbehörsläget (ACC) för att uttaget ska fungera.

Ansluta displayen

- ◆ Dra alltid ut hela 12 V-sladden före varje användningstillfälle.
- ◆ Koppla 12 V-adaptern (6) till fordonets 12 V-tillbehörsuttag.
- ◆ Först måste du ställa in enhet (psi, bar eller kPa) och ett tryckvärde för att luftpumpen ska fungera.

Ställa in önskat tryck (fig. D)

Varning! Lämna aldrig luftpumpen påslagen oövervakad. Den kan få däck eller andra föremål att sprängas.

Obs! Du måste ställa in den automatiska avstängningsfunktionen för att enheten ska fungera.

- ◆ Du kan växla mellan de olika enheterna (kPa, psi eller bar) genom att trycka ner knapparna 8 och 9 samtidigt tills önskad enhet visas.
- ◆ Tryck och håll ner knapp 8 eller 9 i 3 sekunder tills displayen blinkar.

- ◆ Tryck ner minus- eller plusknappen (8 och 9) medan displayen blinkar och tills önskat tryck visas.
- ◆ Efter 3 sekunder blinkar displayen och återgår till att visa "0,0". Detta är normalt.
- ◆ Koppla universalventiladaptern och nödvändiga tillbehör till föremålet som ska pumpas upp. Kontrollera att spaken på ventiladaptern är i nedåtläge för att låsa fast den.
- ◆ Slå på luftpumpen genom att ställa strömbrytaren (5) i läge I.
- ◆ När föremålet som ska pumpas uppnår det förinställda värdet stängs enheten av automatiskt.
- ◆ Stäng av luftpumpen genom att ställa strömbrytaren (5) i läge 0.
- ◆ Ta ut ventiladaptern eller tillbehöret från det föremålet som har pumpats upp och 12 V-adaptern (6) från fordonets 12 V-tillbehörsuttag.

Obs! Om 12 V-adaptern tas ut från fordonets 12 V-tillbehörsuttag kommer alla inställningar att förloras och de måste då anges igen enligt instruktionerna under rubriken Ställa in önskat tryck.

Använda områdesbelysningen

- ◆ När du ska använda områdesbelysningen (1) måste du kontrollera att 12 V-adaptern (6) sitter i fordonets 12 V-tillbehörsuttag.

Obs! Se till att 12 V-tillbehörsuttaget fungerar. På en del bilar måste nyckeln befinna sig i tillbehörsläget (ACC) för att uttaget ska fungera.

- ◆ Slå på områdesbelysningen genom att ställa strömbrytaren (7) på sidan av enheten i läge I.
- ◆ Stäng av områdesbelysningen genom att ställa strömbrytaren (7) på sidan av enheten i läge 0.

Byta glödlampa (fig. E)

Varning! Se till att 12 V-adaptern inte är ansluten innan du påbörjar den här proceduren.

- ◆ Ta loss skruven (10) från ovansidan av linsskyddet (12).
- ◆ Dra ner linsskyddet (12) med hjälp av fliken (11) för att komma åt glödlampans (13).
- ◆ Ta bort glödlampans genom att trycka in och vrida den medurs (fig. E).
- ◆ Byt ut glödlampans (13) mot en av samma typ och wattal (12V/5W).
- ◆ Sätt tillbaka linsskyddet (12) och fäst det med skruven (10).

Använda luftpumpen som tryckmätare

- ◆ Se till att enheten är i gång enligt beskrivningen i avsnittet Använda luftpumpen.
- ◆ Koppla universalventiladaptern och nödvändiga tillbehör till föremålet som ska pumpas upp. Se till att spaken på ventiladaptern är i nedåtläge för att låsa fast den.
- ◆ Displayen visar nu föremålets faktiska tryckvärde.

Underhåll

Det här Black & Decker-redskapet (med eller utan sladd) är konstruerat för att fungera under lång tid med minsta möjliga underhåll. Med rätt underhåll och regelbunden rengöring behåller redskapet sina prestanda.

Varning! Innan något underhåll utförs på elektriska redskap med eller utan sladd:

- ◆ Stäng av redskapet/verkyget och dra ur nätkontakten.
- ◆ Du kan också ta ut batteriet ur redskapet om redskapet har ett separat batteri.
- ◆ Om batteriet är inbyggt låter du det laddas ur helt innan avstängningen.
- ◆ Dra ur sladden till laddaren innan du rengör den. Laddaren behöver inget annat underhåll än regelbunden rengöring.

Rengör regelbundet redskapets/verkygets/laddarens luftintag med en mjuk borste eller torr trasa.

Rengör kåpan regelbundet med en fuktig trasa. Använd aldrig rengöringsmedel med lösnings- eller slipmedel.

Öppna chocken (där sådan finns) med jämna mellanrum och knacka på den för att avlägsna damm som sitter på insidan.

Felsökning

Problem	Möjlig orsak	Möjlig lösning
Luftpumpen fungerar inte	12 V-adaptern är inte inkopplad	Koppla in 12 V-adaptern
	Tillbehörsuttaget fungerar inte	Vrid nyckeln till tillbehörsläget (ACC)
	Inget förinställt värde	Ange förinställt värde
	Säkringen i 12 V-adaptern har gått.	Ersätt säkringen med en av samma storlek och typ (8A/250V)
	Sladden eller strömbrytaren är skadad.	Låt ett Black & Decker-servicecenter eller ett annat auktoriserat servicecenter byta ut sladden eller strömbrytaren.

Byte av säkring i tillbehörskontakten för bilen

- ◆ Ta av locket genom att vrida det moturs.
- ◆ Lossa locket och centrumsappen.
- ◆ Ta bort säkringen.
- ◆ Sätt dit en ny säkring av samma typ och storlek (8A/250V).
- ◆ Sätt tillbaka locket och centrumsappen.
- ◆ Dra åt locket genom att vrida det medurs på kontakten.

Miljö



Separat insamling. Produkten får inte kastas i hushållssoporna.

Tänk på miljön när du slänger denna Black & Decker-produkt. Släng den inte tillsammans med hushållsavfallet. Lämna produkten för separat insamling.



Insamling av uttjänta produkter och förpackningsmaterial gör att material kan återanvändas. Användning av återvunnet material minskar föroreningar av miljön och behovet av råmaterial.

Lokala föreskrifter kan kräva separat insamling av elprodukter från hushållen, vid kommunala samlingsplatser eller hos återförsäljaren när du köper en ny produkt.

Black & Decker samlar in och återvinner uttjänta Black & Decker-produkter. Om du vill utnyttja denna tjänst återlämnar du produkten till en auktoriserad verkstad, som samlar in den för vår räkning.

För information om närmaste auktoriserad verkstad, kontakta det lokala Black & Decker-kontoret på den adress som är angiven i bruksanvisningen. En lista över alla auktoriserade verkstäder samt servicevillkor finns på Internet: www.2helpU.com.

Batterier



Kassera batterierna på ett miljövänligt sätt när de är förbrukade:

- ◆ Undvik att kortsluta batteripolerna.
- ◆ Elda aldrig upp batterier eftersom det kan leda till personskador eller orsaka en explosion.
- ◆ Låt batteriet laddas ur helt och ta sedan ut det ur verktyget.
- ◆ Batterierna kan återvinnas. Packa in batterierna så att polerna inte kan kortslutas. Ta med dem till en auktoriserad verkstad eller en återvinningsstation.

Tekniska data

	ASI200
Inspänning	Vdc 12
Inström	A 8
Tryck (max)	kPa/psi/bar 827/120/8,27
Vikt	kg 1,12

EC-deklaration om överensstämmelse

ASI200 H1

Black & Decker försäkrar att dessa produkter överensstämmer med:
Normer och lagstiftning.
EN60335, 2006/95/EC

Undertecknad är ansvarig för sammanställningen av tekniska data och gör denna försäkran för Black & Deckers räkning.

Kevin Hewitt
Director of Consumer Engineering
Spennymoor, County Durham DL16 6JG,
Storbritannien
09-07-2009

Garanti

Black & Decker garanterar att produkten är fri från material- och/eller fabriktionsfel vid leverans till kund. Garantin gäller utöver konsumentens rättigheter enligt lag och påverkar inte dessa. Garantin gäller inom medlemsstaterna i Europeiska Unionen och i det Europeiska Frihandelsområdet.

Om en Black & Decker-produkt går sönder på grund av material- och/eller fabriktionsfel eller brister i överensstämmelse med specifikationen, inom 24 månader från köpet, åtar sig Black & Decker att reparera eller byta ut produkten med minsta besvär för kunden, förutom om:

- ◆ Produkten har använts kommersiellt, yrkesmässigt eller för uthyrning.
- ◆ Produkten har utsatts för felaktig användning eller skötsel.
- ◆ Produkten har skadats av främmande föremål, ämne eller genom olycka.
- ◆ Reparation har utförts av någon annan än en auktoriserad Black & Decker-verkstad.

Vid garantianspråk ska produkten och inköpskvittot lämnas till återförsäljaren eller till en auktoriserad verkstad. För information om närmaste auktoriserad verkstad, kontakta det lokala Black & Decker-kontoret på den adress som är angiven i bruksanvisningen. En lista över alla auktoriserade verkstäder samt servicevillkor finns på Internet:

www.2helpU.com

Besök vår webbplats **www.blackanddecker.se** för att registrera din nya Black & Decker-produkt samt för att erhålla information om nya produkter och specialerbjudanden. Vidare information om märket Black & Decker och vårt produktsortiment återfinns på **www.blackanddecker.se**.

Bruksområde

Luftpumpen fra Black & Decker er konstruert slik at den kan kobles til standardkontakten for 12 volt i de fleste kjøretøyer og brukes til å blåse opp bildekk, sykkeldekk, baller, flåter, bademadrasser osv. Dette produktet er bare beregnet for bruk som forbrukerprodukt i husholdninger.

Sikkerhetsinstruksjoner

Advarsel! Når du bruker batteridrevne apparater, må du ta grunnleggende sikkerhetsforholdsregler, blant annet dem som er beskrevet nedenfor, for å redusere risikoen for brann, batterilekkasje, personskade og skade på materiell.

- ◆ Les hele denne håndboken nøye før du bruker apparatet.
- ◆ Beregnet bruk er beskrevet i denne håndboken. Hvis du bruker annet tilbehør, kobler til annet utstyr eller bruker dette apparatet til andre oppgaver enn det som er anbefalt i denne håndboken, kan det føre til fare for personskade.
- ◆ Ta vare på denne håndboken for fremtidig bruk.

Bruke apparatet

Vær alltid forsiktig når du bruker apparatet.

- ◆ Dette apparatet skal ikke brukes av barn eller svakelige personer uten tilsyn.
- ◆ Apparatet skal ikke brukes som leketøy.
- ◆ Brukes bare i tørre omgivelser. Ikke la apparatet bli vått.
- ◆ Ikke senk apparatet ned i vann.
- ◆ Ikke åpne apparatet. Det er ingen deler inni som brukere skal håndtere.
- ◆ Ikke arbeid med apparatet i eksplosjonsfarlige omgivelser, som for eksempel der det befinner seg brennbare væsker, gass eller støv.
- ◆ Apparatet skal bare brukes på steder med god ventilasjon.
- ◆ Dra aldri i kabela når du skal ta støpset ut av stikkkontakten. Dermed reduserer du risikoen for skade på støpsel og kabel.

Andre personers sikkerhet

- ◆ Det er ikke meningen at dette apparatet skal brukes av personer (inkludert barn) med reduserte fysiske, sansemessige eller mentale evner eller som mangler erfaring og kunnskap, med mindre de har fått oppfølging eller instruksjon når det gjelder bruken av apparatet, fra en person som er ansvarlig for deres sikkerhet.
- ◆ Barn skal være under oppsyn så du er sikker på at de ikke leker med apparatet.

Etter bruk

- ◆ Når apparatet ikke er i bruk, skal det oppbevares på et tørt og godt ventilert sted utilgjengelig for barn.
- ◆ Barn skal ikke ha tilgang til apparater som oppbevares.
- ◆ Når apparatet oppbevares eller transporteres i et kjøretøy, bør det plasseres i bagasjerommet eller festes, slik at det ikke påvirkes av raske farts- eller retningsendringer.
- ◆ Apparatet skal beskyttes mot direkte sollys, varme og fuktighet.

Kontroll og reparasjon

- ◆ Før bruk må du kontrollere at apparatet ikke har deler som er skadde eller defekte. Kontroller om noen av delene har sprekker, om brytere er skadet, eller om det er andre forhold som kan påvirke bruken.
- ◆ Ikke bruk apparatet hvis en av delene er skadet eller defekt.
- ◆ Overlat reparasjon eller utskifting av skadde eller defekte deler til et autorisert serviceverksted.
- ◆ Forsøk aldri å fjerne eller skifte ut andre deler enn dem som er oppgitt i denne håndboken.

Ytterligere sikkerhetsinstruksjoner for luftpumper

- ◆ Bare for bruk i hjemmet og bilen. Blåser opp bil- og sykkeldekk, baller, bademadrasser og annet i og ved hjemmet.
- ◆ Det er ikke trygt å puste inn den komprimerte luften fra luftpumpen. Pust aldri inn luft fra luftpumpen eller fra pusteutstyr som er koblet til luftpumpen.
- ◆ Blås opp gjenstanden bare så mye som produsenten har anbefalt. Hvis du overskrider det normerte trykket, kan gjenstanden eksplodere, og dette kan føre til personskade.
- ◆ Ikke la luftpumpen gå uten tilsyn. Dekk eller andre gjenstander kan eksplodere.
- ◆ Siden vibrasjoner som luftpumpen skaper, kan få den til å "vandre", må du ikke kjøre den på høye hyller eller andre overflater høyt oppe. Bruk den bare på bakke- eller benkenivå.
- ◆ Ikke endre den og ikke forsøk å reparere den. Du må aldri bore i, sveise eller gjøre noen endringer på luftpumpen eller tilbehøret til denne.
- ◆ Ikke bruk luftpumpen mens motoren i kjøretøyet går.
- ◆ Bruk luftpumpen bare med det tilbehøret som følger med, eller tilbehør som er normert for 8,28 bar / 120 psi eller høyere. Det kan være farlig å bruke tilbehør som ikke er anbefalt for bruk sammen med dette verktøyet.
- ◆ Ikke lek med verktøyet. Luft med høyt trykk er farlig. Ikke rett luftstrømmen mot deg selv eller andre.
- ◆ Luftpumpen kan bli varm under bruk. La luftpumpen kjøle i 30 minutter før du setter den bort.

- ◆ Bær aldri luftpumpen i slangen.
- ◆ Du må ikke rette munnstykket eller slangen mot dyr eller personer i nærheten.
- ◆ Oppbevar luftpumpen utilgjengelig for små barn.
- ◆ Hensikten med måleren er bare å gi veiledning. Dekktrykk skal kontrolleres regelmessig med en sertifisert måler.
- ◆ Før bruk må du kontrollere strømledningen for tegn på skade, aldring og slitasje.
- ◆ Ikke bruk apparatet hvis strømledningen eller støpselet er skadet eller defekt (der dette er aktuelt).

Merking på verktøy

Følgende symboler er vist på verktøyet:



Advarsel! Brukeren må lese håndboken for å redusere risikoen for personskade.



Ikke utsett apparatet for regn eller høy fuktighet.



Før du utfører noe vedlikehold på eller rengjøring av apparatet, må du koble fra strømledningen.



Ikke forlat luftpumpen uten tilsyn.

Funksjoner

1. Områdelys
2. Trykkmåler
3. Oppbevaringsrom for luftslange og adapter for 12 volt
4. Luftslange med universalventiladapter
5. Av/på-bryter
6. Adapter for 12 volt
7. Av/på-bryter for områdelys

Bruk

Oppbevaring av luftslange og ledning (figur A)

Snurr likestrømledningen rundt foten på enheten og plasser deretter luftslangen (4) og adapteren for 12 volt (6) i oppbevaringsrommet (3).

Sette på tilbehør (figur B og C)

Det følger standard koniske dyser og nålepumpedyse med luftpumpen, og disse er plassert på foten til enheten (figur C).

- ◆ Når du skal bruke universalventiladapteren, må du passe på at håndtaket er i øvre stilling.
- ◆ Plasser ventiladapteren over stammen til pumpenålen eller den koniske dysen (figur B).

- ◆ Trykk håndtaket på ventiladapteren ned for å låse den på plass.
- ◆ Sett pumpenålen eller den koniske dysen inn i gjenstanden som skal pumpes opp.

Merknad: Pass alltid på at håndtaket er i øvre stilling når luftpumpen ikke er i bruk.

Luftpumpen skal bare brukes med universalventiladapteren eller dysene som følger med.

Merknad: Pass på at universalventiladapteren sitter godt på plass før du skrur på luftpumpen.

Mange gjenstander som kan blåses opp, har en innvendig klaff som hindrer luft i å strømme ut under oppblåsing. Hvis ikke dysen skyver bort denne klaffen, blir ikke gjenstanden blåst opp. Trykk dysen bestemt inn i ventilen for å sikre at du skyver denne klaffen unna.

Oppbevar pumpenålen inne i en av de koniske dysene, og klikk de koniske dysene inn i oppbevaringssporene i bunnen av luftpumpen (figur C).

Advarsel! For høyt lufttrykk kan føre til fare og risiko for eksplosjon eller personskade. Kontroller produsentens normerte maksimumstrykk for gjenstandene du blåser opp.

Merknad: Hvis det normerte trykket for gjenstanden som blåses opp, er over 100 psi, er maksimal kjøringstid 10 minutter. La luftpumpen hvile i 20 minutter før den brukes igjen.

Bruke luftpumpen

Advarsel! Ikke bruk luftpumpen mens bilmotoren går.

Merknad: Kontroller at det er strøm i tilbehørskontakten for 12 volt. På noen kjøretøyer kan det hende nøkkelen må være i tilbehørsstilling for at det skal være strøm i tilbehørskontakten.

Slik aktiverer du displayet

- ◆ Trekk alltid ledningen for 12 volt likestrøm helt ut før bruk.
- ◆ Koble adapteren (6) for 12 volt til kjøretøyet tilbehørskontakt for 12 volt.
- ◆ Du må angi ønsket enhet (psi, bar eller kPa) og en trykkverdi for å få luftpumpen til å virke.

Angi ønsket trykk (figur D)

Advarsel! Ikke la luftpumpen gå uten tilsyn. Dekk eller andre gjenstander kan eksplodere.

Merknad: Før enheten kan brukes, må du må aktivere funksjonen for automatisk stopp.

- ◆ Når du skal bytte mellom de ulike enhetene (kPa, psi eller bar), trykker du på knappene 8 og 9 samtidig til den ønskede enheten vises.
- ◆ Trykk på og hold inne knapp 8 eller 9 i 3 sekunder til displayet blinker.

- ◆ Mens displayet blinker, trykker du på knappen - eller + (8 eller 9) til det ønskede trykket vises.
- ◆ Etter 3 sekunder blinker displayet og går tilbake til å vise "0.0". Dette er normalt.
- ◆ Koble universalventiladapter og eventuelt tilbehør til gjenstanden som skal blåses opp, og pass på at håndtaket på ventiladapteren er i nedre stilling så den er låst på plass.
- ◆ Når du skal slå luftpumpen på, setter du av/på-bryteren (5) i stillingen I.
- ◆ Når gjenstanden som skal blåses opp, har nådd den forhåndsinnstilte verdien, slås enheten av automatisk.
- ◆ Når du skal slå luftpumpen av, setter du bryteren (5) i stillingen 0.
- ◆ Fjern ventiladapteren eller tilbehøret fra gjenstanden som er blåst opp, og fjern adapteren (6) for 12 volt fra tilbehørskontakten for 12 volt i kjøretøyet.

Merknad: Hvis adapteren for 12 volt fjernes fra tilbehørskontakten for 12 volt i kjøretøyet, forsvinner alle innstillinger, og du må angi dem på nytt som forklart i instruksjonene under overskriften "Angi ønsket trykk".

Bruke områdelys

- ◆ Når du skal bruke områdelys (1), må du passe på at adapteren (6) for 12 volt er koblet til tilbehørskontakten for 12 volt i kjøretøyet.

Merknad: Kontroller at det er strøm i tilbehørskontakten for 12 volt. På noen kjøretøyer kan det hende nøkkelen må være i tilbehørsstilling for at det skal være strøm i tilbehørskontakten.

- ◆ Når du skal slå områdelys på, setter du av/på-bryteren (7) for områdelys, som er plassert på siden av enheten, i stillingen I.
- ◆ Når du skal slå områdelys av, setter du av/på-bryteren (7) for områdelys, som er plassert på siden av enheten, i stillingen 0.

Slik bytter du pæren (figur E)

Advarsel! Pass på at adapteren for 12 volt ikke er tilkoblet, før du begynner på denne prosedyren.

- ◆ Ta ut skruen (10) fra toppen av linsedekselet (12).
- ◆ Trekk linsedekselet (12) ned ved hjelp av håndtaket (11) for å få tilgang til pæren (13).
- ◆ Trykk pæren inn og dreii den med klokken for å ta den ut (figur E).
- ◆ Erstatt pæren (13) med en av samme type og styrke (12 V / 5 W).
- ◆ Sett på linsedekselet (12) og fest det med skruen (10).

Bruke luftpumpen som trykkmåler

- ◆ Pass på at enheten får tilført strøm som beskrevet i avsnittet "Bruke luftpumpen".
- ◆ Koble universalventiladapter og eventuelt tilbehør til gjenstanden som skal blåses opp, og pass på at håndtaket på ventiladapteren er i nedre stilling så den er låst på plass.
- ◆ Displayet viser nå det aktuelle trykket i gjenstanden.

Vedlikehold

Det nettdrevne/batteridrevne Black & Decker-apparatet/verktøyet er konstruert for å være i drift over lengre tid med et minimum av vedlikehold. Det er avhengig av riktig stell og regelmessig rengjøring for å fungere som det skal til enhver tid.

Advarsel! Før du utfører vedlikehold på nettdrevet/batteridrevet elektroverktøy:

- ◆ Slå av apparatet/verktøyet og trekk ut støpselet.
- ◆ Eller slå av apparatet/verktøyet og fjern batteriet fra dette hvis apparatet/verktøyet har separat batteripakke.
- ◆ Eller la batteriet gå helt tomt hvis det er innebygd, og slå deretter av.
- ◆ Fjern laderen fra stikkontakten før du rengjør den. Laderen krever ikke annet vedlikehold enn regelmessig rengjøring.

Rengjør ventilasjonsåpningene i apparatet/verktøyet/laderen jevnlig med en myk børste eller tørr klut.

Rengjør motorhuset regelmessig med en fuktig klut. Ikke bruk slipende eller løsemiddelbaserte rengjøringsmidler.

Åpne chucken regelmessig og bank på den for å fjerne eventuelt støv fra innsiden (hvis en slik er montert).

Problemløsning

Problem	Mulig årsak	Mulig løsning
Luftpumpen virker ikke	Adapteren for 12 volt er ikke tilkoblet	Koble til adapteren for 12 volt
	Det er ikke strøm i tilbehørskontakten	Sett nøkkelen i tilbehørsstilling
	Ingen forhåndsinnstilt verdi er angitt	Angi forhåndsinnstilt verdi
	Sikringen i adapteren for 12 volt er gått	Erstatt sikringen med en av samme størrelse og type (8 A / 250 V)
	Ledningen eller bryteren er skadet	Få byttet ledningen eller bryteren ved et Black & Decker-servicesenter eller et autorisert servicesenter

Bytte sikring i tilbehørspluggen for likestrøm i kjøretøyet

- ◆ Ta av hetten ved å skru den mot klokken.
- ◆ Løsne hetten og pinnen i midten.
- ◆ Ta ut sikringen.
- ◆ Sett inn en ny sikring med samme type og størrelse (8 A / 250 V).
- ◆ Sett på hetten og pinnen i midten igjen.
- ◆ Fest hetten ved å skru den med klokken på pluggen.

Miljø

Separat avfallshåndtering. Dette produktet må ikke kastes sammen med vanlig husholdningsavfall.

Hvis du synes Black & Decker-produktet bør skiftes ut, eller du ikke har bruk for det lenger, må du ikke kaste det sammen med husholdningsavfall. Sørg for separat avfallshåndtering for dette produktet.



Hvis brukte produkter og emballasje leveres atskilt, kan materialer resirkuleres og brukes på nytt. Gjenbruk av resirkulerte materialer bidrar til redusert miljøforurensing og reduserer behovet for råmaterialer.

Det kan være lokale bestemmelser for separat avfallshåndtering for elektriske produkter fra husstander på kommunale avfallsplasser eller hos forhandleren når du kjøper et nytt produkt.

Black & Decker har en ordning for innsamling og resirkulering av Black & Decker-produkter som ikke skal brukes lenger. Du kan benytte denne tjenesten ved å levere produktet til et hvilket som helst autorisert serviceverksted.

Du kan finne ut hvor nærmeste autoriserte serviceverksted er ved å kontakte din lokale Black & Decker-avdeling på adressen som er oppgitt i denne håndboken. En oversikt over autoriserte Black & Decker-serviceverksteder og alle opplysninger om ettersalgsservice og kontakter er også tilgjengelig på Internett: **www.2helpU.com**.

Batterier

Tenk på miljøet når batteriene er tomme og skal kastes.

- ◆ Ikke kortslutt batteriterminalene.
- ◆ Ikke brenn batterier, da dette kan føre til risiko for personskade eller eksplosjon.
- ◆ La batteriet gå helt tomt og fjern det så fra verktøyet.
- ◆ Batterier kan resirkuleres. Legg batterier i egnet emballasje for å sikre at polene ikke kan bli kortsluttet. Ta dem med til et autorisert serviceverksted eller til en lokal spesialavfallsstasjon.

Tekniske data

	ASI200
Inngangsspenning	V DC 12
Inngangsstrøm	A 8
Trykk (maks.)	kPa/psi/bar 827/120/8,27
Vekt	kg 1,12

EF-samsvarserklæring

ASI200 H1

Black & Decker erklærer at disse produktene er i samsvar med standarder og lovgivning. EN60335, 2006/95/EF

Undertegnede er ansvarlig for utarbeidelsen av den tekniske dokumentasjonen og gir denne erklæringen på vegne av Black & Decker.

Kevin Hewitt
Direktør for forbrukerteknikk
Spennymoor, County Durham DL16 6JG
Storbritannia
9.7.2009

Garanti

Black & Decker er trygg på kvaliteten på sine produkter og tilbyr en enestående garanti. Denne garantierklæringen kommer i tillegg til dine lovbestemte rettigheter og er ikke i konflikt med disse. Garantien er gyldig i EU- og EFTA-medlemsstatene.

Hvis et Black & Decker-produkt blir defekt på grunn av materialfeil, fabrikkasjonsfeil eller manglende samsvar med spesifikasjonene, innen 24 måneder fra kjøpet, påtar Black & Decker seg å skifte ut defekte deler, reparere produkter som har vært utsatt for alminnelig slitasje, eller bytte ut slike produkter med minst mulig vanskelighet for kunden, med mindre:

- ◆ produktet har vært brukt i yrkes-/næringsvirksomhet eller til utleie.
- ◆ produktet har vært utsatt for feilaktig bruk eller forsømmelse.
- ◆ produktet er blitt skadet av fremmede gjenstander eller stoffer eller ved uhell.
- ◆ andre enn autoriserte serviceverksteder eller Black & Deckers serviceteknikere har forsøkt å reparere produktet.

Hvis du vil benytte garantien, må du vise kjøpskvittering til forhandleren eller til et autorisert serviceverksted. Du kan finne ut hvor nærmeste autoriserte serviceverksted er ved å kontakte din lokale Black & Decker-avdeling på den adressen som er oppgitt i denne håndboken. En oversikt over autoriserte Black & Decker-serviceverksteder og alle opplysninger om ettersalgsservice og kontakter er også tilgjengelig på Internett: **www.2helpU.com**

Besøk vårt webområde **www.blackanddecker.no** for å registrere ditt nye Black & Decker-produkt og for å holde deg oppdatert om nye produkter og spesialtilbud. Du finner mer informasjon om Black & Decker og produktutvalget vårt på **www.blackanddecker.no**.

Anvendelsesområde

Din Black & Decker-pumpe er beregnet til brug i de fleste køretøjer vha. 12 V-stikket til oppumpning af bil- og cykeldæk, bolde, gummibåde, luftmadrasser etc. Dette produkt er kun beregnet til privat brug.

Sikkerhedsanvisninger

Advarsel! Ved brug af batteridrevne apparater er det vigtigt, at grundlæggende sikkerhedsforholdsregler, herunder bl.a. nedenstående, altid følges for at mindske risikoen for brand, batterilækage, personskade og tingskade.

- ◆ Læs hele denne vejledning omhyggeligt, før du bruger apparatet.
- ◆ Anvendelsesområdet er beskrevet i denne vejledning. Brugen af ekstraudstyr eller tilbehør eller udførelse af andet arbejde med dette apparat end det, der anbefales i denne vejledning, kan udgøre en risiko for personskade.
- ◆ Opbevar denne vejledning til senere brug.

Brug af apparatet

Vær altid opmærksom ved brugen af apparatet.

- ◆ Dette apparat må ikke bruges af børn eller demente personer uden opsyn.
- ◆ Apparatet må ikke bruges som legetøj.
- ◆ Apparatet må kun bruges på tørre steder. Lad ikke apparatet blive vådt.
- ◆ Apparatet må ikke nedsænkes i vand.
- ◆ Kabinettet må ikke åbnes. Der er ingen dele inde i kabinettet, som kan serviceres af brugeren.
- ◆ Brug ikke apparatet i eksplosive omgivelser, f.eks. hvor der er brændbare væsker, gasser eller støv.
- ◆ Brug kun apparatet på steder med tilstrækkelig ventilation.
- ◆ For at reducere risikoen for beskadigelse af stik og ledninger må du aldrig trække i ledningen for at tage stikket ud af en stikkontakt.

Andres sikkerhed

- ◆ Dette apparat er ikke beregnet til at blive brugt af personer (herunder børn) med nedsatte fysiske, sensoriske eller mentale evner eller manglende erfaring og viden, med mindre det sker under overvågning, eller der gives instruktion i brugen af apparatet af en person, der er ansvarlig for deres sikkerhed.
- ◆ Børn skal holdes under opsyn, så det sikres, at de ikke leger med apparatet.

Efter brug

- ◆ Opbevar apparatet på et tørt, godt ventileret sted uden for børns rækkevidde, når det ikke er i brug.
- ◆ Børn må ikke have adgang til opbevarede apparater.

- ◆ Når apparatet opbevares eller transporteres i et køretøj, skal det anbringes i bagagerummet eller fastgøres for at forhindre bevægelse som følge af pludselige ændringer i hastighed eller retning.
- ◆ Apparatet skal beskyttes mod direkte sollys, varme og fugt.

Eftersyn og reparationer

- ◆ Før brug skal apparatet kontrolleres for beskadigede eller defekte dele. Se efter knækkede dele, skader på kontakter og eventuelle andre tilstande, der kan påvirke apparatets drift.
- ◆ Brug ikke apparatet, hvis nogen del af det er beskadiget eller defekt.
- ◆ Få beskadigede eller defekte dele repareret eller udskiftet på et autoriseret værksted.
- ◆ Forsøg aldrig at fjerne eller udskifte dele ud over dem, der er beskrevet i denne vejledning.

Yderligere sikkerhedsvejledninger for pumper

- ◆ Kun til brug i hjemmet og i bilen. Oppump bil- og cykeldæk, bolde, luftmadrasser etc. i og omkring hjemmet.
- ◆ Indånd ikke komprimeret luft fra pumpen. Indånd aldrig luften fra pumpen eller fra en åndedrætsenhed, der er sluttet til pumpen.
- ◆ Oppump kun genstande i henhold til producenternes anbefalinger. Overskrides deres nominelle tryk, kan de eksplodere, hvilket kan medføre personskade.
- ◆ Lad ikke pumpen køre uden opsyn. Dæk eller andre genstande kan eksplodere.
- ◆ Da de vibrationer, som pumpen frembringer, kan medføre, at den bevæger sig, må den ikke anvendes på en høj hylde eller lignende. Anvend den i gulv- eller siddehøjde.
- ◆ Foretag ikke ændringer ved pumpen, og forsøg ikke at reparere den. Bor ikke hul i pumpen, svejs ikke på den, og foretag ikke ændringer på den eller dens tilbehør.
- ◆ Betjen ikke pumpen, mens bilens motor kører.
- ◆ Anvend den kun med det medfølgende tilbehør eller tilbehør klassificeret til 8,28 bar/120 psi eller derover. Brugen af tilbehør, som ikke anbefales sammen med dette værktøj, kan være farligt.
- ◆ Leg ikke med værktøjet. Luft under højt tryk kan være farligt. Ret ikke luftstrømmen mod dig selv eller andre.
- ◆ Pumpen kan blive varm under brug. Lad pumpen køle af i 30 minutter, inden den sættes væk.
- ◆ Bær aldrig pumpen i slangen.
- ◆ Ret ikke dysen eller slangen mod dyr eller personer i nærheden.
- ◆ Opbevar pumpen uden for mindre børns rækkevidde.

- ◆ Måleren er kun vejledende. Dæktryk skal kontrolleres regelmæssigt vha. en certificeret trykmåler.
- ◆ Kontroller strømforsyningsledningen for tegn på beskadigelse, ældning og slid før brug.
- ◆ Brug ikke apparatet, hvis strømforsyningsledningen eller stikket er beskadiget eller ødelagt (hvis relevant).

Mærkater på værktøj

Følgende symboler er anbragt på værktøjet:



Advarsel! Brugeren skal læse brugervejledningen for at reducere risikoen for skader.



Udsæt ikke apparatet for regn eller høj luftfugtighed.



Tag stikket ud, før apparatet vedligeholdes eller rengøres.



Efterlad ikke pumpen uden opsyn.

Funktioner

1. Fladelys
2. Trykmåler
3. Opbevaringsrum til luftslange og 12 V-adapter
4. Luftslange med universalventiladapter
5. Afbryderkontakt
6. 12 V-adapter
7. Afbryderkontakt til fladelys

Anvendelse

Opbevaringsrum til luftslange og ledning (fig. A)

Vikl ledningen omkring enhedens nederste del, og placer derefter luftslangen (4) og 12 V-adapteren (6) i opbevaringsrummet (3).

Montering af tilbehør (fig. B og C)

Der følger tilspidsede standarddyser og en kanylepumpedyse med pumpen. Dette tilbehør sidder nederst på enheden (fig. C).

- ◆ For at bruge universalventiladapteren skal grebet være i øverste stilling.
- ◆ Anbring ventiladapteren over pumpekanylen eller den tilspidsede dysse (fig. B).
- ◆ Skub grebet på ventiladapteren ned for at låse den på plads.
- ◆ Anbring pumpekanylen eller den tilspidsede dysse i emnet, der skal pumpes op.

Bemærk: Grebet skal altid stå i øverste stilling, når pumpen ikke er i brug.

Anvend kun pumpen sammen med universalventiladapteren eller med de medfølgende dyser.

Bemærk: Kontroller, at universalventiladapteren er låst på plads, inden pumpen startes.

Mange oppustelige genstande har en indvendig flap, som forhindrer lufttab under oppumpningen. Dysen skal flytte denne flap, for at genstanden kan pumpes op. Skub dysen helt ind i ventilen, for at sikre at flappen flyttes.

Opbevar pumpekanylen i en af de tilspidsede dyser, og sæt de tilspidsede dyser fast i opbevaringsåbningen i bunden af pumpen (fig. C).

Advarsel! Et for kraftigt lufttryk kan medføre risiko for eksplosion eller personskade. Kontroller producentens maksimale, nominelle tryk for den genstand, der pumpes op.

Bemærk: Hvis det nominelle tryk for den genstand, der pumpes op, er over 100 psi, skal det bemærkes, at den maksimale køretid er 10 minutter, hvorefter pumpen skal stå stille i 20 minutter, før den bruges igen.

Betjening af pumpen

Advarsel! Anvend ikke pumpen, mens bilens motor kører.

Bemærk: Kontroller, at 12 V-tilbehørsstikket er strømførende. Nogle biler kræver, at tændingen er slået til, for at tilbehørsstikket får strøm.

Sådan tændes displayet

- ◆ Træk altid 12 V-ledningen helt ud inden brug.
- ◆ Sæt 12 V-adapteren (6) i køretøjets 12 V-tilbehørsstik.
- ◆ For at starte pumpen skal du først indstille enhed (psi, bar eller kPa) og en trykværdi.

Indstilling af det ønskede tryk (fig. D)

Advarsel! Lad ikke pumpen køre uden opsyn. Dæk eller andre genstande kan eksplodere.

Bemærk: Du skal indstille den automatiske nedlukningsfunktion, før enheden fungerer.

- ◆ Tryk på knapperne 8 og 9 samtidig, til den ønskede enhed vises for at skifte mellem de forskellige enheder (kPa, psi eller bar).
- ◆ Hold knap 8 eller 9 nede i 3 sekunder, til displayet blinker.
- ◆ Tryk på knappen - eller + (8 og 9), mens displayet blinker, til det ønskede tryk vises.
- ◆ Efter 3 sekunder blinker displayet og vender tilbage til visningen "0.0". Det er normalt.
- ◆ Slut om nødvendigt universaladapterventilen og tilbehør til den genstand, der skal pumpes op; kontroller, at grebet på ventiladapteren er i nederste stilling, og lås det på plads.

- ◆ Skub afbryderkontakten (5) til position **I** for at tænde pumpen.
- ◆ Når den genstand, der skal pumpes op, har nået den indstillede værdi, slukkes pumpen automatisk.
- ◆ Skub afbryderkontakten (5) til position **0** for at slukke pumpen.
- ◆ Tag ventiladapteren eller tilbehøret ud af den oppumpede genstand og 12 V-adapteren (6) ud af køretøjets 12 V-tilbehørsstik.

Bemærk: Hvis 12 V-adapteren tages ud af køretøjets 12 V-tilbehørsstik, går alle indstillinger tabt og skal indtastes igen som beskrevet under "Indstilling af det ønskede tryk".

Brug af fladelyset

- ◆ Sæt 12 V-adapteren (6) i køretøjets 12 V-tilbehørsstik for at bruge fladelyset (1).

Bemærk: Kontroller, at 12 V-tilbehørsstikket er strømførende. Nogle biler kræver, at tændingen er slået til, for at tilbehørsstikket får strøm.

- ◆ Skub fladelysets afbryderkontakt (7), der sidder på siden af enheden, til position **I** for at tænde fladelyset.
- ◆ Skub fladelysets afbryderkontakt (7), der sidder på siden af enheden, til position **0** for at slukke fladelyset.

Udskiftning af pæren (fig. E)

Advarsel! Kontroller, at 12 V-adapteren ikke er tilsluttet, før du starter denne procedure.

- ◆ Fjern skruen (10) øverst på lampeglasset (12).
- ◆ Træk lampeglasset (12) ned vha. fiigen (11) for at komme til pæren (13).
- ◆ Tryk pæren ind, og drej den med uret for at fjerne den (fig. E).
- ◆ Udskift pæren (13) med en pære af samme type og watt-tal (12V/5W).
- ◆ Monter lampeglasset (12), og fastgør det med skruen (10).

Brug af pumpen som trykmåler

- ◆ Kontroller, at der er strøm til enheden som beskrevet i afsnittet "Betjening af pumpen".
- ◆ Slut om nødvendigt universaladapterventilen og tilbehør til den genstand, der skal pumpes op; kontroller, at grebet på ventiladapteren er i nederste stilling, og lås det på plads.
- ◆ Displayet viser nu det faktiske tryk i genstanden.

Vedligeholdelse

Dit Black & Decker-apparat/værktøj med eller uden ledning er beregnet til brug gennem lang tid med et minimum af vedligeholdelse. Forsat tilfredsstillende drift afhænger af korrekt behandling af værktøjet samt regelmæssig rengøring.

Advarsel! Før udførelse af nogen form for vedligeholdelse på elværktøj med/uden ledning:

- ◆ Sluk og tag apparatets/værktøjets stik ud af stikkontakten.
- ◆ Eller sluk og fjern batteriet fra apparatet/værktøjet, hvis det har en separat batteripakke.
- ◆ Eller aflad batteriet helt, hvis det er indbygget, og sluk derefter.
- ◆ Træk laderen ud af stikkontakten, før den rengøres. Laderen kræver ingen vedligeholdelse, men skal rengøres jævnligt.

Rengør jævnligt apparatets/værktøjets/laderens ventilationshuller med en blød børste eller en tør klud.

Rengør med jævne mellemrum motorhuset med en fugtig klud. Der må ikke bruges skuremidler eller opløsningsmidler.

Åbn jævnligt patronen, og bank på den for at fjerne indvendigt støv (hvis monteret).

Fejlfinding

Problem	Mulig årsag	Mulig løsning
Pumpen virker ikke	12 V-adapteren er ikke tilsluttet	Tilslut 12 V-adapteren
	Tilbehørsstikket er ikke strømførende	Drej nøglen til tilbehørsposition
	Ingen værdi indstillet	Indstil en værdi
	Sikringen i 12 V-adapteren er sprunget	Udskift sikringen med en ny af samme størrelse og type (8A/250V).
	Ledningen eller kontakten er beskadiget.	Få ledningen eller kontakten udskiftet på et Black & Decker-værksted eller autoriseret servicecenter.

Udskiftning af sikringen i køretøjets jævnstrømsstik til tilbehør

- ◆ Tag hættten af ved at dreje den mod uret.
- ◆ Løsn hættten og centreringsstiften.
- ◆ Fjern sikringen.
- ◆ Monter en ny sikring af samme type og størrelse (8A/250V).
- ◆ Monter hættten og centreringsstiften igen.
- ◆ Monter hættten ved at skrue den på stikket med uret.

Miljøbeskyttelse



Separat bortskaftelse. Dette produkt må ikke bortskaftes sammen med almindeligt husholdningsaffald.

Når dit Black & Decker-produkt en dag er udtjent, eller du ikke længere har brug for det, må du ikke smide det ud sammen med det almindelige affald. Produktet skal bortskaftes separat.



Ved separat bortskaftelse af brugte produkter og emballage bliver der mulighed for at genanvende forskellige materialer. Genanvendelse af materialer medvirker til at forebygge miljøforurening og mindsker behovet for råstoffer.

Lokal lovgivning kan kræve separat indsamling af elektriske husholdningsapparater på kommunale affaldsdepoter eller af den detailhandlende ved køb af et nyt produkt.

Black & Decker sørger for at indsamle og genanvende Black & Decker-produkter, når disse ikke længere kan bruges. Hvis du vil benytte dig af denne service, skal du returnere produktet til et autoriseret værksted, der indsamler produkterne for os.

Kontakt det lokale Black & Decker-kontor på den adresse, der er opgivet i denne vejledning, for at få oplysninger om nærmeste autoriserede værksted. En liste over alle autoriserede Black & Decker-serviceværksteder samt servicevilkår og kontaktpersoner er tilgængelig på internettet på adressen: www.2helpU.com.

Batterier



Når batterier er udtjente, skal de bortskaftes under passende hensyntagen til miljøet:

- ◆ Batteripolerne må ikke kortsluttes.
- ◆ Batteriet/batterierne må ikke kastes på ild, da dette kan medføre personskade eller eksplosion.
- ◆ Aflad batteriet helt, og tag det derefter ud af værktøjet.
- ◆ Batterier kan genbruges. Anbring batteriet/batterierne i en egnet emballage, så polerne ikke kortsluttes. Aflever dem på et autoriseret værksted eller en lokal genbrugsstation.

Tekniske data

	ASI200
Indgangsspænding	Vdc 12
Indgangsstrøm	A 8
Tryk (maks.)	kpa / psi / bar 827 / 120 / 8,27
Vægt	kg 1,12

EF-overensstemmelseserklæring

ASI200 H1

Black & Decker erklærer, at disse produkter er i overensstemmelse med:
Standarder og lovgivning.
EN60335, 2006/95/EF

Undertegnede er ansvarlig for udarbejdelsen af de tekniske data og fremsætter denne erklæring på vegne af
Black & Decker

Kevin Hewitt
Director of Consumer Engineering
Spennymoor, County Durham DL16 6JG,
Storbritannien
09-07-2009

Garanti

Black & Decker garanterer, at produktet er fri for materielle skader og/eller fabriktionsfejl ved levering til kunden. Garantien er et tillæg til forbrugers lovsikrede rettigheder og påvirker ikke disse. Garantien gælder inden for medlemsstaterne af den Europæiske Union og i det Europæiske Frihandelsområde.

Hvis et Black & Decker-produkt går i stykker på grund af materiel skade og/eller fabriktionsfejl eller på anden måde ikke fungerer i overensstemmelse med specifikationen inden for 24 måneder fra købsdatoen, påtager Black & Decker sig at reparere eller ombytte produktet med mindst mulig ulempe for kunden. Garantien gælder ikke for fejl og mangler, der er sket i forbindelse med:

- ◆ Produktet har været anvendt erhvervs-mæssigt eller til udlejning.
- ◆ Produktet har været anvendt forkert eller er ikke vedligeholdt.
- ◆ Produktet er beskadiget af fremmedlegemer, substanser eller pga. uheld.
- ◆ Garantien gælder ikke, hvis reparationer er udført af andre end et autoriseret Black & Decker-værksted.

For at udnytte garantien skal produktet og købskvitteringen indleveres til forhandleren eller til et autoriseret værksted. Kontakt det lokale Black & Decker-kontor på den adresse, der er opgivet i denne vejledning, for at få oplysninger om nærmeste autoriserede værksted. En liste over alle autoriserede Black & Decker-serviceværksteder samt servicevilkår er tilgængelig på internettet på adressen:

www.2helpU.com

Gå venligst ind på vores website **www.blackanddecker.dk** for at registrere dit nye produkt og for at blive holdt ajour om nye produkter og specialtilbud. Der findes yderligere oplysninger om mærket Black & Decker og vores produktsortiment på adressen **www.blackanddecker.dk**.

Käyttötarkoitus

Black & Deckerin täyttölaite on tarkoitettu käytettäväksi useimpien ajoneuvojen tavallisen 12 voltin liitännän avulla, ja sillä voi täyttää esimerkiksi auton tai polkupyörän renkaita, palloja, kellukkeita tai uimapatoja. Tuote on tarkoitettu ainoastaan kotikäyttöön.

Turvallisuusohjeet

Varoitus! Käytettäessä akkukäyttöisiä laitteita on aina noudatettava perusvarotoimenpiteitä palovaaran, vuotavien akkujen, henkilövahinkojen ja aineellisten vaurioiden välttämiseksi.

- ◆ Lue nämä ohjeet huolellisesti ennen laitteen käyttöä.
- ◆ Käyttötarkoitus kuvataan tässä käyttöohjeessa. Muiden kuin tässä käyttöohjeessa suositeltujen lisävarusteiden tai -osien käyttö sekä laitteen käyttö muuhun kuin käyttöohjeessa suositeltuun tarkoitukseen voi aiheuttaa henkilövahingon vaaran.
- ◆ Säilytä tämä käyttöohje tulevaa tarvetta varten.

Laitteen käyttö

Ole aina huolellinen käyttäessäsi laitetta.

- ◆ Tätä laitetta ei ole tarkoitettu nuorten tai lihasvoimaltaan heikkojen henkilöiden käyttöön ilman valvontaa.
- ◆ Laitetta ei tule käyttää leluna.
- ◆ Laitte soveltuu vain kuivaan käyttöympäristöön.
Älä anna laitteen kastua.
- ◆ Älä upota laitetta veteen.
- ◆ Älä avaa laitteen koteloa. Sen sisällä ei ole käyttäjän huollettavissa olevia osia.
- ◆ Älä käytä laitetta räjähdysalttiissa ympäristössä, jossa on syttyvää nestettä, kaasua tai pölyä.
- ◆ Käytä laitetta ainoastaan hyvin ilmastoidussa tilassa.
- ◆ Älä koskaan irrota johtoa pistorasiasta johdosta vetäen. Pistoke tai johto voi vahingoittua.

Muiden turvallisuus

- ◆ Tätä laitetta ei ole tarkoitettu sellaisten henkilöiden käyttöön, joilla on fyysisiä tai älyllisiä rajoitteita tai aistirajoitteita, eikä laitteen toimintaan perehtymättömien henkilöiden käyttöön (lapset mukaan luettuina), paitsi valvonnan alaisina, tai jos he ovat saaneet laitteen käyttöön liittyvää opastusta heidän turvallisuudestaan vastaavalta henkilöltä.
- ◆ Lapsia on valvottava ja estettävä heitä leikkimästä laitteella.

Käytön jälkeen

- ◆ Kun laitetta ei käytetä, säilytä sitä kuivassa, hyvin tuuletetussa paikassa poissa lasten ulottuvilta.
- ◆ Pidä laite lasten ulottumattomissa.

- ◆ Kun laitetta säilytetään tai kuljetetaan ajoneuvossa, sijoita se tavaratilaan tai kiinnitä se kunnolla, ettei se matkan aikana pääse liikkumaan.
- ◆ Laite on suojattava suoralta auringonvalolta, kuumuudelta ja kosteudelta.

Tarkastus ja korjaus

- ◆ Tarkista ennen laitteen käyttöä, ettei laitteessa ole vahingoittuneita tai viallisia osia. Tarkista osien ja kytkimien kunto sekä muut seikat, jotka voivat vaikuttaa laitteen toimintaan.
- ◆ Älä käytä laitetta, jos jokin osa on vahingoittunut tai viallinen.
- ◆ Korjauta tai vaihdata vahingoittuneet tai vialliset osat valtuutetussa huoltoliikkeessä.
- ◆ Älä koskaan yritä korjata tai vaihtaa muita kuin tässä käyttöohjeessa erikseen määriteltyjä osia.

Täyttölaitteiden lisäturvaohjeet

- ◆ Tarkoitettu käytettäväksi kotona tai autossa. Voit täyttää laitteella esimerkiksi auton tai pyörän renkaita, palloja ja uimapatoja kotiympäristössä.
- ◆ Täyttölaitteesta tulevaa paineilmaa ei saa hengittää. Älä koskaan hengitä täyttölaitteesta tai täyttölaitteeseen liitetyistä hengityslaitteesta tulevaa ilmaa.
- ◆ Täytä esineet valmistajan suositusten mukaan. Jos ylität enimmäispainesuosituksen, esine voi räjähtää ja aiheuttaa henkilövahingon.
- ◆ Älä jätä käytössä olevaa täyttölaitetta ilman valvontaa. Rengas tai muu esine saattaa räjähtää.
- ◆ Täyttölaitteen tärinä voi liikuttaa sitä, joten älä käytä laitetta sen ollessa korkealla hyllyllä tai muulla vastaavalla alustalla. Käytä laitetta vain sen ollessa maassa tai muulla vastaavalla tasolla.
- ◆ Älä yritä muuttaa tai korjata laitetta. Älä koskaan poraa tai hitsaa täyttölaitetta tai sen lisäosia, äläkä tee niihin mitään muutoksia.
- ◆ Älä käytä täyttölaitetta auton moottorin ollessa käynnissä.
- ◆ Käytä vain pakkauksen mukana tulleita lisävarusteita tai sellaisia lisävarusteita, joiden nimellispainearvo on vähintään 8,28 baaria tai 120 psi:tä. Sellaisten lisävarusteiden käyttö, joita ei ole suositeltu käytettäväksi laitteen kanssa, saattaa johtaa vaaratilanteeseen.
- ◆ Älä leiki laitteella. Korkeapaineilma on vaarallista. Älä suuntaa ilmavirtaa itseäsi tai muita ihmisiä kohti.
- ◆ Täyttölaite voi kuumentua käytön aikana. Anna täyttölaitteen jäähtyä 30 minuutin ajan ennen varastointia.
- ◆ Älä kannata täyttölaitetta letkusta.

- Älä suuntaa suutinta tai letkua eläimiin tai lähellä olevia ihmisiä kohti.
- Säilytä täyttölaitetta pienten lasten ulottumattomissa.
- Mittari on tarkoitettu vain suuntaa antavaksi. Renkaiden paine on tarkistettava säännöllisesti hyväksytyllä mittarilla.
- Tarkista ennen käyttöä, että sähköjohto ei ole vaurioitunut, vanhentunut tai kulunut.
- Älä käytä laitetta, jos virtajohto tai pistoke on vahingoittunut tai viallinen (jos laitteessa on ne).

Laitteissa olevat merkinnät

Työkalussa on seuraavat kuvamerkinnot:



Varoitus! Käyttäjän on luettava käyttöopas vahinkojen välttämiseksi.



Älä käytä laitetta sateessa tai erittäin kosteissa olosuhteissa.



Kytke laite pois päältä ja irrota se virtalähteestä ennen huoltoa ja puhdistusta.



Älä jätä täyttölaitetta ilman valvontaa.

Yleiskuvas

1. Hakuvalvo
2. Painemittari
3. Ilmaletkun ja 12 voltin sovittimen säilytyspaikka
4. Ilmaletku, jossa yleisventtiilin sovitin
5. Virtakytkin
6. 12 voltin sovitin
7. Hakuvalvon virtakytkin

Käyttö

Ilmaletkun ja johdon säilytyslokero (kuva A)

Kiedo tasavirtajohto laitteen alustan ympärille ja aseta sitten ilmaletku (4) ja 12 voltin sovitin (6) säilytyspaikkaan (3).

Lisävarusteiden kiinnitys (kuvat B ja C)

Täyttölaitteen mukana toimitetaan kartiomaiset vakiosuuttimet ja täytöneula, jotka sijaitsevat laitteen alustaosassa (kuva C).

- Kun haluat käyttää yleisventtiilin sovintia, varmista, että vipu on yläasennossa.
- Aseta venttiilin sovitin täytöneulan tai kartiomaisen suuttimen karan päälle (kuva B).

- Paina venttiilin sovittimessa oleva vipu alas niin, että se lukkiutuu paikalleen.
- Aseta täytöneula tai kartiomainen suutin täytettävän esineen venttiiliin.

Huomautus: Varmista aina, että vipu on yläasennossa, kun laitetta ei käytetä.

Käytä täyttölaitteessa vain yleisventtiilin sovintia tai mukana tulleita suuttimia.

Huomautus: Varmista, että yleisventtiilien sovitin on tukevasti lukittu paikalleen, ennen kuin käynnistät täyttölaitteen.

Monissa ilmalta täytettävissä esineissä on sisäinen läppä, joka estää ilman poistumisen täyten aikana. Jos suutin ei siirrä läppää, täytettävä esine ei täyty ilmalla. Paina suutin tukevasti kiinni venttiiliin, jotta läppä siirtyy pois tieltä.

Säilytä täytöneulaa kartiomaisen suuttimen sisällä ja paina kartiomaiset suuttimet säilytysuriin, jotka ovat täyttölaitteen pohjassa (kuva C).

Varoitus! Liian suuri ilmanpaine voi aiheuttaa vaarallisen räjähdyksen tai tapaturman vaaran. Tarkista täytettävän esineen valmistajan ilmoittama enimmäispainearvo.

Huomautus: Jos täytettävän esineen enimmäispaineen arvo on yli 100 psi, huomaa, että laitteen enimmäiskäyttöaika on 10 minuuttia. Anna laitteen olla itseksensä 20 minuutin ajan, ennen kuin käytät sitä uudelleen.

Täyttölaitteen käyttö

Varoitus! Älä käytä täyttölaitetta auton moottorin käydessä.

Huomautus: Varmista, että 12 voltin lisälaiteliitäntästä saadaan virtaa. Joissakin ajoneuvoissa lisälaiteliitäntään tulee virtaa vain, kun virta on kytketty virta-avaimella.

Näytön virran kytkeminen

- Vedä 12 V DC:n johto aina täyteen pituuteensa ennen kutakin käyttökertaa.
- Kytke 12 voltin sovitin (6) ajoneuvon 12 voltin lisälaiteliitäntään.
- Aseta tarvittavat yksiköt (psi, bar tai kPa) ja painearvo, jotta voit käyttää täyttölaitetta.

Tarvittavan paineen asettaminen (kuva D)

Varoitus! Älä jätä käynnissä olevaa täyttölaitetta ilman valvontaa. Rengas tai muu esine saattaa räjähtää.

Huomautus: Automaattinen sammutustoiminto on asetettava, ennen kuin laite toimii.

- Valitse yksikkö (kPa, psi tai bar) painamalla painikkeita 8 ja 9 samanaikaisesti, kunnes haluamasi yksikkö on näkyvissä.
- Pidä painiketta 8 tai 9 painettuna kolme sekuntia, kunnes näyttö vilkkuu.
- Kun näyttö vilkkuu, paina painiketta - tai + (8 ja 9), kunnes tarvittava paine on näkyvissä.

- Kolmen sekunnin kuluttua näyttö vilkkuu, ja siihen palaa lukema "0.0". Tämä on normaalia.
- Kytke yleisventtiiliin sovitin ja tarvittavat lisävarusteet täytettävään esineeseen ja varmista, että venttiiliin sovittimen vipu on ala-asennossa niin, että sovitin on lukittu paikalleen.
- Käynnistä täyttölaite painamalla virtakytkin (5) asentoon I.
- Kun täytettävän esineen paine saavuttaa esiasetetun arvon, laite sammuu automaattisesti.
- Sammuta täyttölaite painamalla virtakytkin (5) asentoon 0.
- Irrota venttiiliin sovitin tai lisävaruste täytetystä esineestä ja 12 voltin sovitin (6) ajoneuvon 12 voltin lisälaiteliitännästä.

Huomautus: Jos 12 voltin sovitin irrotetaan ajoneuvon 12 voltin lisälaiteliitännästä, kaikki asetukset katoavat ja ne on annettava uudelleen noudattamalla ohjeita, jotka ovat kohdassa Tarvittavan paineen asettaminen.

Hakuvalon käyttäminen

- Varmista hakuvalon (1) käyttöä varten, että 12 voltin sovitin (6) on kytketty ajoneuvon 12 voltin lisälaiteliitännään.

Huomautus: Varmista, että 12 voltin lisälaiteliitännästä saadaan virtaa. Joissakin ajoneuvoissa lisälaiteliitännään tulee virtaa vain, kun virta on kytketty virta-avaimella.

- Sytytä hakuvalo painamalla laitteen sivussa oleva hakuvalon virtakytkin (7) asentoon I.
- Sammuta hakuvalo painamalla laitteen sivussa oleva hakuvalon virtakytkin (7) asentoon 0.

Polttimon vaihtaminen (kuva E)

Varoitus! Varmista ennen näiden toimenpiteiden tekemistä, ettei 12 voltin sovitiinta ole kytketty.

- Irrota ruuvi (10) linssinsuojuksesta (12).
- Vedä linssinsuojus (12) alas tarttumalla kielekkeeseen (11), jotta pääset käsiksi polttimoon (13).
- Irrota polttimo painamalla sitä sisään päin ja kiertämällä myötäpäivään (kuva E).
- Vaihda polttimo (13) tyypiltään ja arvoiltaan (12 V / 5 W) samanlaiseen polttimoon.
- Aseta linssinsuojus (12) paikalleen ja kiinnitä se ruuvilla (10).

Täyttölaitteen käyttö painemittarina

- Varmista kohdassa Täyttölaitteen käyttö kuvatulla tavalla, että laite saa virtaa.
- Kytke yleisventtiiliin sovitin ja tarvittavat lisävarusteet täytettävään esineeseen ja varmista, että venttiiliin sovittimen vipu on ala-asennossa niin, että sovitin on lukittu paikalleen.
- Näytössä näkyvä esineen painearvo kyseisellä hetkellä.

Huolto

Black & Deckerin verkkojohdolla varustettu tai verkkojohdoton laite/työkalu on suunniteltu toimimaan mahdollisimman kauan mahdollisimman vähällä huollolla. Oikealla huollolla ja säännöllisellä puhdistuksella laite säilyttää suorituskykynsä.

Varoitus! Ennen verkkojohdolla varustetun tai verkkojohdoton sähkötyökalun huoltoa toimi seuraavasti.

- Sammuta laite/työkalu ja irrota se verkkovirrasta.
- Jos laitteessa/työkalussa on erillinen akku, sammuta laite/työkalu ja irrota sen akku.
- Jos akku on kiinteä, käytä akku täysin loppuun ja sammuta laite/työkalu sitten.
- Irrota laturi pistorasiasta ennen sen puhdistamista. Laturi ei tarvitse säännöllisen puhdistamisen lisäksi mitään muuta huoltoa.

Puhdista laitteen/työkalun/laturin ilma-aukot säännöllisesti pehmeällä harjalla tai kuivalla kangasliinalla.

Puhdista moottorikelote säännöllisesti kostealla liinalla. Älä koskaan käytä puhdistamiseen liuotainaineita tai syövyttäviä puhdistusaineita.

Avaa istukka säännöllisesti ja naputtele pöly pois sen sisältä (soveltuvin osin).

Vianmääritys

Ongelma	Mahdollinen syy	Mahdollinen ratkaisu
Täyttölaite ei toimi	12 voltin sovitiinta ei ole kytketty	Kytke 12 voltin sovitin
	Lisälaiteliitännästä ei saada virtaa	Käännä virta-avain virta-asentoon
	Esiasetettua arvoa ei ole määritetty	Määritä esiasetusarvo
	12 voltin sovittimen sulake on palanut.	Vaihda sulake saman kokoiseen ja tyyppiseen (8 A / 250 V) sulakkeeseen.
	Johto tai kytkin on vahingoittunut.	Anna Black & Decker -huollon vaihtaa johto ja kytkin.

Ajoneuvon tasavirtapistokkeen sulakkeen vaihto

- Avaa nuppi kiertämällä sitä vastapäivään.
- Löysää kansi ja keskitappi.
- Irrota sulake.
- Vaihda tilalle saman kokoinen ja tyyppinen (8 A / 250V) sulake.
- Kiinnitä kansi ja keskitappi takaisin paikoilleen.
- Kiristä kansi paikalleen kiertämällä myötäpäivään.

Ympäristönsuojelu



Erillinen keräys. Tätä tuotetta ei saa hävittää normaalin kotitalousjätteen mukana.

Kun Black & Decker -laitteesi aikanaan täytyy vaihtaa tai se ei kelpaa enää käyttöön, älä hävitä laitetta kotitalousjätteen mukana. Toimita laite kierrätettäväksi.



Käytettyjen tuotteiden ja pakkausmateriaalien erilliskeruun avulla materiaalit voidaan kierrättää ja käyttää uudelleen. Kierrätysmateriaalien käyttö auttaa vähentämään ympäristön saastumista ja uusien raaka-aineiden tarvetta.

Paikallisissa säädöksissä voidaan määrätä, että kodin sähkötuotteiden keruu tapahtuu kaupunkien jätteidenkäsittelyasemilla tai laitteita myyvissä liikkeissä uuden tuotteen oston yhteydessä.

Kun laitteesi on käytetty loppuun, älä hävitä sitä tavallisten roskien mukana, vaan vie se paikkakuntasi kierrätyskeskukseen tai jätä se valtuutettuun Black & Deckerin huoltoliikkeeseen.

Tiedot valtuutetuista huoltoliikkeistä saa ottamalla yhteyttä Black & Decker Oy:hyn. Valtuutettujen Black & Decker -huoltoliikkeiden luettelo, yhteystiedot ja tiedot palveluistamme ovat Internetissä osoitteessa www.2helpU.com.

Paristot



Hävitä loppuun kuluneet paristot ympäristöstävällisesti.

- ◆ Käsittele paristoa niin, että navat eivät joudu oikosulkuun.
- ◆ Älä yritä polttaa paristoa, sillä se voi aiheuttaa henkilövahinkoja tai räjähtää.
- ◆ Käytä paristo täysin loppuun ja irrota se sitten työkalusta.
- ◆ Paristot ovat kierrätyskelpoisia. Pakkaa paristot niin, että navat eivät aiheuta oikosulkuja. Voit viedä paristot mihin tahansa valtuutettuun huoltoliikkeeseen tai paikalliseen kierrätyskeskukseen.

Tekniset tiedot

ASI200	
Syöttöjännite	V DC 12
Syöttövirta	A 8
Paine (maksimi)	kPa / psi / bar 827 / 120 / 8,27
Paino	kg 1,12

EU:n vaatimustenmukaisuusilmoitus

ASI200 H1

Black & Decker vakuuttaa näiden tuotteiden olevan seuraavien standardien vaatimusten mukaisia:

Standardit ja määräykset
EN60335, 2006/95/EY

Allekirjoittanut vastaa teknisten tietojen kokoamisesta ja tekee tämän ilmoituksen Black & Deckerin puolesta.

Kevin Hewitt

Consumer Engineering -osaston johtaja
Spennymoor, County Durham DL16 6JG,
Iso-Britannia
9.7.2009

Takuu

Black & Decker Oy takaa, ettei tuotteessa ollut materiaali- ja/tai valmistusvikaa silloin, kun se toimitettiin ostajalle. Takuu on lisäys kuluttajan laillisiin oikeuksiin eikä vaikuta niihin.

Takuu on voimassa Euroopan unionin jäsenmaissa ja Euroopan vapaakauppa-alueella (EFTA).

Mikäli Black & Decker -tuotteessa ilmenee vika materiaali- ja/tai valmistusvirheen tai teknisten tietojen epätarkkuuden vuoksi 24 kk:n kuluessa ostopäivästä, Black & Decker vaihtaa vialliset osat, korjaa kulumiselle alttiit osat tai vaihtaa tuotteen. Takuu ei kata seuraavista syistä aiheutuneita vikoja:

- ◆ Tuotetta on käytetty kaupallisesti, ammattimaisesti tai vuokraukseen.
- ◆ Tuotetta on käytetty tai hoidettu virheellisesti.
- ◆ Tuotetta on vahingoitettu vieraalla esineellä tai aineella, tai se on ollut onnettomuudessa.
- ◆ Takuu ei ole voimassa, mikäli laitetta on korjannut joku muu kuin Black & Deckerin valtuuttama huoltoliike.

Edellytyksenä takuun saamiselle on, että ostaja jättää koneen ja ostokuitin jälleenmyyjälle tai valtuutetulle huoltoliikkeelle. Saat valtuutettujen huoltoliikkeiden yhteystiedot ottamalla yhteyden Black & Decker Oy:hyn tässä käyttöoppaassa ilmoitetussa osoitteessa. Valtuutettujen Black & Decker -huoltoliikkeiden yhteystiedot sekä lisätietoja palveluistamme ja takuuehdoista on Internetissä osoitteessa **www.2helpU.com**

Voit rekisteröidä uuden Black & Decker -tuotteesi ja tarkastella tietoja uusista tuotteista ja erikoistarjouksista verkkosivuillamme **www.blackanddecker.fi**. Saat lisätietoja Black & Deckerin tavaramerkistä ja tuotevalikoimastamme osoitteesta **www.blackanddecker.fi**.

Ενδεξιμένη χρήση

Ο αεροσυμπιεστής Black & Decker έχει σχεδιαστεί για χρήση στα περισσότερα οχήματα που διαθέτουν πρίζα 12 Volt, για να φουσκώνετε ελαστικά αυτοκινήτων και ποδηλάτων, μπάλες, φουσκωτά σκάφη, στρώματα θαλάσσης κλπ. Αυτό το προϊόν προορίζεται μόνο για οικιακή, ερασιτεχνική χρήση.

Οδηγίες ασφαλείας

Προειδοποίηση! Κατά τη χρήση συσκευών που τροφοδοτούν με μπαταρία, θα πρέπει να λαμβάνονται οι βασικές προφυλάξεις ασφαλείας, συμπεριλαμβανομένων των παρακάτω, για τον περιορισμό του κινδύνου πυρκαγιάς, διαρροής υγρών μπαταρίας, τραυματισμού προσώπων και ηλικιών ζημιών.

- Πριν χρησιμοποιήσετε τη συσκευή διαβάστε προσεκτικά ολόκληρο το εγχειρίδιο.
- Η προοριζόμενη χρήση περιγράφεται σε αυτό το εγχειρίδιο. Τόσο η χρήση εξαρτημάτων ή προσαρτημάτων όσο και η πραγματοποίηση εργασιών με τη συσκευή που δε συνιστώνται σε αυτό το εγχειρίδιο οδηγούν γκυμονεί κίνδυνο τραυματισμού.
- Φυλάξτε αυτό το εγχειρίδιο για μελλοντική αναφορά.

Χρήση της συσκευής σας

Πάντοτε προσέχετε κατά τη χρήση της συσκευής.

- Αυτή η συσκευή δεν προορίζεται για χρήση από νεαρά ή αδύναμα άτομα χωρίς επίβλεψη.
- Η συσκευή δεν πρέπει να χρησιμοποιείται ως παιχνίδι.
- Να χρησιμοποιείται μόνο σε χώρους χωρίς υγρασία. Μην επιτρέψετε να βραχεί η συσκευή.
- Μη βυθίζετε τη συσκευή μέσα σε νερό.
- Μην ανοίγετε το περίβλημα του σώματος της συσκευής. Τα εξαρτήματα στο εσωτερικό δεν επιδέχονται επισκευή από το χρήστη.
- Μη χρησιμοποιείτε τη συσκευή σε περιβάλλον όπου υπάρχει κίνδυνος έκρηξης, π.χ. παρουσία εύφλεκτων υγρών, αερίων ή σκόνης.
- Χρησιμοποιείτε τη συσκευή μόνο σε χώρο με καλό αερισμό.
- Για να βγάλετε το φως από την πρίζα, μην τραβάτε από το καλώδιο αλλά από το ίδιο το φως. Έτσι θα αποφύγετε τον κίνδυνο φθοράς του φως και του καλωδίου.

Ασφάλεια τρίτων

- Αυτή η συσκευή δεν προορίζεται για χρήση από άτομα (στα οποία περιλαμβάνονται και τα παιδιά) με μειωμένες φυσικές, αντιληπτικές ή διανοητικές ικανότητες ή άτομα χωρίς εμπειρία και γνώσεις, παρά μόνο εφόσον επιτηρούνται ή τους έχουν δοθεί οδηγίες σχετικά με τη χρήση της συσκευής από άτομο υπεύθυνο για την ασφάλειά τους.

- Τα παιδιά πρέπει να επιτηρούνται για να εξασφαλίζεται ότι δεν παίζουν με τη συσκευή.

Μετά τη χρήση

- Όταν δε χρησιμοποιείται, η συσκευή πρέπει να φυλάσσεται σε στεγνό, καλά αεριζόμενο χώρο, μακριά από παιδιά.
- Τα παιδιά δεν πρέπει να έχουν πρόσβαση σε αποθηκευμένες συσκευές.
- Όταν η συσκευή φυλάσσεται ή μεταφέρεται με ένα όχημα, πρέπει να τοποθετείται στο χώρο αποσκευών ή να στερεώνεται ώστε να μη μετακινείται σε περίπτωση απότομων μεταβολών της ταχύτητας ή της κατεύθυνσης του οχήματος.
- Η συσκευή πρέπει να προφυλάσσεται από την ηλιακή ακτινοβολία, τη ζέση και την υγρασία.

Έλεγχος και επισκευές

- Πριν από τη χρήση, ελέγξτε τη συσκευή σας για τυχόν χαλασμένα ή ελαττωματικά εξαρτήματα. Ελέγξτε αν υπάρχουν σπασμένα εξαρτήματα, ζημιά σε διακόπτες και οποιεσδήποτε άλλες καταστάσεις που μπορούν να επηρεάσουν τη λειτουργία της.
- Μη χρησιμοποιείτε τη συσκευή εάν οποιοδήποτε εξάρτημα είναι κατεστραμμένο ή ελαττωματικό.
- Φροντίστε να γίνει η επισκευή ή η αντικατάσταση των τυχόν ελαττωματικών εξαρτημάτων από εξουσιοδοτημένο κέντρο επισκευών.
- Μην επιχειρήσετε ποτέ να αφαιρέσετε ή να αντικαταστήσετε οποιοδήποτε εξάρτημα, εκτός από αυτά που καθορίζονται σε αυτό το εγχειρίδιο.

Συμπληρωματικές οδηγίες ασφαλείας για αεροσυμπιεστής

- Αποκλειστικά για χρήση στο σπίτι και το αυτοκίνητο. Χρησιμοποιήστε τον για να φουσκώσετε ελαστικά αυτοκινήτων και ποδηλάτων, μπάλες, φουσκωτά σκάφη, στρώματα θαλάσσης, στρώματα αέρος και για άλλες χρήσεις στο σπίτι και γύρω από αυτό.
- Δεν είναι ασφαλές να εισπνέετε τον πεπιεσμένο αέρα του αεροσυμπιεστή. Ποτέ μην εισπνέετε αέρα από τον αεροσυμπιεστή ή από αναπνευστική συσκευή συνδεδεμένη με τον αεροσυμπιεστή.
- Χρησιμοποιήστε τον για να φουσκώσετε αντικείμενα σύμφωνα με τις οδηγίες των κατασκευαστών τους. Μην υπερβαίνετε την ονομαστική πίεση καθώς μπορεί να προκαλέσει έκρηξη του αντικείμενου με αποτέλεσμα να τραυματιστείτε.
- Μην αφήνετε τον αεροσυμπιεστή να λειτουργεί χωρίς επίβλεψη. Μπορεί να προκαλέσει «σκάσιμο» των ελαστικών ή άλλων αντικειμένων.

- ◆ Καθώς η δόνηση που παράγεται από τον αεροσυμπιεστή μπορεί να τον κάνει να μετακινηθεί, μην τοποθετείτε τον αεροσυμπιεστή σε ράφια ή άλλες επιφάνειες που βρίσκονται ψηλά. Χρησιμοποιήστε τον μόνο σε επίπεδο έδαφος ή σε έναν πάγκο.
- ◆ Μην επιχειρήσετε τροποποίηση ή επισκευή. Ποτέ μην τρυπάτε, συγκολλάτε ή τροποποιείτε τον αεροσυμπιεστή ή τα εξαρτήματά του.
- ◆ Μη λειτουργείτε τον αεροσυμπιεστή κατά τη διάρκεια λειτουργίας του κινητήρα.
- ◆ Χρησιμοποιήστε τον αεροσυμπιεστή με τα παρεχόμενα αξεσουάρ ή με αυτά που φέρουν ονομαστική πίεση 8,28 bar/120 psi ή υψηλότερη. Η χρήση αξεσουάρ που δεν ενδείκνυνται για αυτή τη συσκευή μπορεί να ενέχει κινδύνους.
- ◆ Μην παίζετε με τη συσκευή. Ο αέρας υψηλής πίεσης είναι επικίνδυνος. Μην κατευθύνετε τη ροή του αέρα προς εσάς ή άλλους.
- ◆ Ο αεροσυμπιεστής μπορεί να θερμανθεί κατά τη χρήση. Αφήστε τον αεροσυμπιεστή να κρυώσει για 30 λεπτά, πριν τον αποθηκεύσετε.
- ◆ Μη μεταφέρετε ποτέ τον αεροσυμπιεστή από το σωλήνα.
- ◆ Μην κατευθύνετε το στόμιο ή τον ελαστικό σωλήνα σε ζώα ή άλλα άτομα.
- ◆ Αποθηκεύετε τον αεροσυμπιεστή μακριά από μικρά παιδιά.
- ◆ Ο μετρητής έχει μόνο ενδεικτικό ρόλο. Η πίεση των ελαστικών πρέπει να ελέγχεται τακτικά με πιστοποιημένο μετρητή.
- ◆ Πριν από τη χρήση, ελέγξτε προσεκτικά το καλώδιο τροφοδοσίας για σημάδια ζημιάς, παλαιώσης ή φθοράς.
- ◆ Μη χρησιμοποιείτε τη συσκευή εάν το καλώδιο τροφοδοσίας ή το φις έχει πάθει ζημιά ή παρυσιάζει ελάττωμα (όπου εφαρμόζεται).

Ετικέτες στις συσκευές

Τα ακόλουθα εικονογράμματα εμφανίζονται στη συσκευή:



Προειδοποίηση! Για να μειωθεί ο κίνδυνος τραυματισμού, ο χρήστης πρέπει να διαβάσει το εγχειρίδιο οδηγιών.



Μην εκθέτετε τη συσκευή στη βροχή ή σε υψηλή υγρασία.



Πριν πραγματοποιήσετε οποιαδήποτε συντήρηση ή καθαρισμό στη συσκευή, αποσυνδέστε το καλώδιο τροφοδοσίας.



Μην αφήνετε τον αεροσυμπιεστή χωρίς επίβλεψη.

Χαρακτηριστικά

1. Φωτισμός χώρου
2. Μετρητής πίεσης
3. Θέση αποθήκευσης για σωλήνα αέρα και προσαρμογέα 12 Volt
4. Σωλήνας αέρα με προσαρμογέα βαλβίδας γενικής χρήσης
5. Διακόπτης on/off
6. Προσαρμογέας 12 Volt
7. Διακόπτης on/off φωτισμού χώρου

Χρήση

Αποθήκευση σωλήνα αέρα και καλωδίων (εικ. Α)

Τυλίξτε το καλώδιο dc γύρω από τη βάση της συσκευής και στη συνέχεια τοποθετήστε το σωλήνα αέρα (4) και τον προσαρμογέα 12 Volt (6) στη θέση αποθήκευσης (3).

Τοποθέτηση των εξαρτημάτων (εικ. Β και C)

Ο αεροσυμπιεστής συνοδεύεται από τα τυπικά κωνικά στόμια και από ένα βελονωτό στόμιο αέρα, τα οποία βρίσκονται στη βάση της συσκευής (εικ. C).

- ◆ Για χρήση του προσαρμογέα βαλβίδας γενικής χρήσης, βεβαιωθείτε ότι ο μοχλός είναι στην επάνω θέση.
- ◆ Τοποθετήστε τον προσαρμογέα βαλβίδας πάνω από το στέλεχος του βελονωτού ή του κωνικού στομίου αέρα (εικ. Β).
- ◆ Πιέστε προς τα κάτω το μοχλό του προσαρμογέα βαλβίδας για να ασφαλίσει στη θέση του.
- ◆ Τοποθετήστε το βελονωτό ή το κωνικό στόμιο αέρα μέσα στο αντικείμενο που θέλετε να φουσκώσετε.

Σημείωση: Πάντοτε βεβαιώνετε ότι ο μοχλός είναι στην επάνω θέση όταν δεν χρησιμοποιείται.

Χρησιμοποιείτε τον αεροσυμπιεστή μόνο με τον προσαρμογέα βαλβίδας γενικής χρήσης ή με τα στόμια που παρέχονται.

Σημείωση: Πριν ενεργοποιήσετε τον αεροσυμπιεστή, βεβαιωθείτε ότι ο προσαρμογέας βαλβίδας γενικής χρήσης είναι ασφαλισμένος στη θέση του.

Πολλά φουσκωτά αντικείμενα διαθέτουν ένα εσωτερικό πτερύγιο που αποτρέπει την απώλεια αέρα κατά το φούσκωμα. Αν δεν μετακινήσετε το πτερύγιο με το στόμιο αέρα, το φουσκωτό δε θα φουσκώσει. Σπρώξτε δυνατά το στόμιο μέσα στη βαλβίδα για να βεβαιωθείτε ότι εκποτίζετε και το πτερύγιο.

Αποθηκεύστε το βελονωτό στόμιο αέρα στο εσωτερικό ενός από τα κωνικά στόμια και «κουμπώστε» τα κωνικά στόμια στις οπές αποθήκευσης που υπάρχουν στο κάτω μέρος του αεροσυμπιεστή (εικ. C).

Προειδοποίηση! Η υπερβολική πίεση αέρα μπορεί να προκαλέσει κίνδυνο σκασίματος ή προσωπικού τραυματισμού. Ελέγξτε τη μέγιστη ονομαστική πίεση που ορίζει ο κατασκευαστής για τα αντικείμενα που φουσκώνετε.

Σημείωση: Εάν η ονομαστική πίεση για το αντικείμενο που φουσκώνετε είναι πάνω από 100 psi, σημειώστε ότι ο μέγιστος χρόνος λειτουργίας είναι 10 λεπτά, αφήστε να αναπαυθεί για 20 λεπτά πριν χρησιμοποιήσετε ξανά.

Λειτουργία του αεροσυμπιεστή

Προειδοποίηση! Μη θέσετε σε λειτουργία τον αεροσυμπιεστή κατά τη διάρκεια της λειτουργίας του κινητήρα του αυτοκινήτου.

Σημείωση: Βεβαιωθείτε ότι η πρίζα 12 Volt έχει ρεύμα. Σε ορισμένα οχήματα η υποδοχή αναπτήρα έχει ρεύμα μόνο όταν το κλειδί βρίσκεται στη βοηθητική θέση.

Για ενεργοποίηση της οθόνης

- ♦ Πάντοτε να εκτείνετε πλήρως το καλώδιο 12 Vdc πριν από κάθε χρήση.
- ♦ Συνδέστε τον προσαρμογέα 12 Volt (6) στην πρίζα 12 Volt του αυτοκινήτου.
- ♦ Για να μπορέσει να λειτουργήσει ο αεροσυμπιεστής σας πρέπει να ρυθμίσετε τις απαιτούμενες μονάδες (psi, bar ή kPa) και μια τιμή πίεσης.

Ρύθμιση της απαιτούμενης πίεσης (εικ. D)

Προειδοποίηση! Μη αφήνετε τον αεροσυμπιεστή να λειτουργεί χωρίς επίβλεψη. Μπορεί να προκαλέσει «σκάσιμο» των ελαστικών ή άλλων αντικειμένων.

Σημείωση: Πρέπει να ρυθμίσετε τη λειτουργία αυτόματης απενεργοποίησης πριν τη λειτουργία της συσκευής.

- ♦ Για εναλλαγή μεταξύ των διαφορετικών μονάδων (kPa, psi ή bar), πιέστε τα πλήκτρα 8 & 9 ταυτόχρονα μέχρι να εμφανιστούν οι απαιτούμενες μονάδες.
- ♦ Πιέστε και κρατήστε το πλήκτρο 8 ή 9 για 3 δευτερόλεπτα μέχρι να αναβοσβήσει η οθόνη.
- ♦ Ενώ αναβοσβήνει η οθόνη πιέστε τα πλήκτρα - ή + (8 & 9) μέχρι να εμφανιστεί η απαιτούμενη πίεση.
- ♦ Μετά από 3 δευτερόλεπτα η οθόνη θα αναβοσβήσει και θα επανέλθει σε μια ένδειξη «0.0». Κάτι τέτοιο είναι φυσιολογικό.
- ♦ Συνδέστε τον προσαρμογέα βαλβίδας γενικής χρήσης και τα αξεσουάρ, εάν χρειάζεται στο προς φούσκωμα αντικείμενο, εξασφαλίζοντας ότι ο μοχλός του προσαρμογέα βαλβίδας είναι στην κάτω θέση για να ασφαλίσει στη θέση του.
- ♦ Για να ενεργοποιήσετε τον αεροσυμπιεστή, πατήστε το διακόπτη on/off (5) στη θέση I.
- ♦ Όταν το προς φούσκωμα αντικείμενο επιτύχει την προκαθορισμένη τιμή η συσκευή θα απενεργοποιηθεί αυτόματα.

- ♦ Για να απενεργοποιήσετε τον αεροσυμπιεστή πιέστε το διακόπτη (5) στη θέση 0.
 - ♦ Αφαιρέστε τον προσαρμογέα βαλβίδας ή το αξεσουάρ από το φουσκωμένο αντικείμενο και τον προσαρμογέα 12 Volt (6) από την πρίζα 12 Volt του αυτοκινήτου σας.
- Σημείωση:** Εάν ο προσαρμογέας 12 Volt αφαιρεθεί από την πρίζα 12 Volt του αυτοκινήτου, όλες οι ρυθμίσεις θα χαθούν και θα πρέπει να επανεισαχθούν ακολουθώντας τις οδηγίες υπό την επικεφαλίδα 'Ρύθμιση της απαιτούμενης πίεσης'.

Τρόπος λειτουργίας του φωτισμού χώρου

- ♦ Για τη λειτουργία του φωτισμού χώρου (1), βεβαιωθείτε ότι ο προσαρμογέας 12 Volt (6) είναι συνδεδεμένος στην πρίζα 12 Volt του οχήματος.
- Σημείωση:** Βεβαιωθείτε ότι η πρίζα 12 Volt έχει ρεύμα. Σε ορισμένα οχήματα η υποδοχή αναπτήρα έχει ρεύμα μόνο όταν το κλειδί βρίσκεται στη βοηθητική θέση.
- ♦ Για να ανάψετε το φωτισμό χώρου, πιέστε το διακόπτη on/off του φωτισμού χώρου (7) ο οποίος βρίσκεται στην πλευρά της συσκευής στη θέση I.
 - ♦ Για να σβήσετε το φωτισμό χώρου, πιέστε το διακόπτη on/off του φωτισμού χώρου (7) ο οποίος βρίσκεται στην πλευρά της συσκευής στη θέση 0.

Για να αντικαταστήσετε τη λυχνία (εικ. E)

Προειδοποίηση! Βεβαιωθείτε ότι ο προσαρμογέας 12 Volt έχει αποσυνδεθεί προτού ξεκινήσετε αυτή τη διαδικασία.

- ♦ Αφαιρέστε τη βίδα (10) από το επάνω μέρος του καλύμματος του φακού (12).
- ♦ Τραβήξτε το κάλυμμα του φακού (12) κάτω χρησιμοποιώντας την ωτίδα (11) για πρόσβαση στο λαμπτήρα (13).
- ♦ Για να αφαιρέσετε τη λυχνία, πιέστε προς τα μέσα και περιστρέψτε δεξιόστροφα (εικ. E).
- ♦ Αντικαταστήστε τη λυχνία (13) με μια του ίδιου τύπου και ισχύος (12V/5W).
- ♦ Τοποθετήστε το κάλυμμα του φακού (12) και ασφαλίστε με τη βίδα (10).

Χρήση του αεροσυμπιεστή ως μετρητή πίεσης

- ♦ Βεβαιωθείτε ότι η συσκευή τροφοδοτείται όπως περιγράφεται στην ενότητα 'Λειτουργία του αεροσυμπιεστή'.
- ♦ Συνδέστε τον προσαρμογέα βαλβίδας γενικής χρήσης και τα αξεσουάρ εάν χρειάζεται στο προς φούσκωμα αντικείμενο εξασφαλίζοντας ότι ο μοχλός του προσαρμογέα βαλβίδας είναι στην κάτω θέση για να ασφαλίσει στη θέση του.
- ♦ Η οθόνη θα εμφανίσει τώρα την πραγματική τιμή πίεσης στο αντικείμενο.

Συντήρηση

Αυτή η συσκευή/εργαλείο με καλώδιο/χωρίς καλώδιο της Black & Decker έχει σχεδιαστεί έτσι ώστε να λειτουργεί για μεγάλο χρονικό διάστημα με την ελάχιστη δυνατή συντήρηση. Η αδιάλειπτη και ικανοποιητική λειτουργία εξαρτάται από τη σωστή φροντίδα και τον τακτικό καθαρισμό.

Προειδοποίηση! Πριν πραγματοποιήσετε οποιαδήποτε συντήρηση σε ηλεκτρικά εργαλεία με καλώδιο/χωρίς καλώδιο:

- ◆ Απενεργοποιήστε και αποσυνδέστε τη συσκευή/εργαλείο από την πρίζα.
- ◆ Ή απενεργοποιήστε και αφαιρέστε την μπαταρία από τη συσκευή/εργαλείο εάν η συσκευή/εργαλείο διαθέτει ξεχωριστή μπαταρία.
- ◆ Ή χρησιμοποιήστε την μπαταρία μέχρι να αδειάσει εντελώς και στη συνέχεια απενεργοποιήστε.
- ◆ Πριν καθαρίσετε το φορτιστή, αποσυνδέστε τον από την πρίζα. Ο φορτιστής σας δεν απαιτεί κάποια συντήρηση εκτός του τακτικού καθαρισμού.

Να καθαρίζετε τακτικά τις εγχοπές εξαερισμού της συσκευής/εργαλείου/φορτιστή με μια μαλακή βούρτσα ή με ένα στεγνό πανί.

Να καθαρίζετε τακτικά το περίβλημα του μοτέρ με ένα υγρό πανί. Μη χρησιμοποιείτε λειαντικά ή υγρά καθαρισμού που περιέχουν διαλυτικά.

Να ανοίγετε τακτικά το τσοκ και να το χτυπάτε ελαφρά για να αφαιρείται η σκόνη από το εσωτερικό του (Εφόσον εφαρμόζεται).

Αντιμετώπιση προβλημάτων

Πρόβλημα	Πιθανή αιτία	Πιθανή λύση
Ο αεροσυμπιεστής δε λειτουργεί	Ο προσαρμογέας 12 Volt δεν είναι συνδεδεμένος	Συνδέστε τον προσαρμογέα 12 Volt
	Η πρίζα δεν έχει ρεύμα	Περιστρέψτε το κλειδί στη βοηθητική θέση
	Δεν έχει προρυθμιστεί η τιμή	Ρυθμίστε την προκαθορισμένη τιμή
	Η ασφάλεια του προσαρμογέα 12 Volt είναι καμένη	Αντικαταστήστε την ασφάλεια με μια του ίδιου μεγέθους και τύπου (8A/250V)
	Το καλώδιο ή ο διακόπτης έχει χαλάσει.	Απευθυνθείτε σε ένα Κέντρο Σέρβις της Black & Decker ή σε ένα Εξουσιοδοτημένο Κέντρο Σέρβις για αντικατάσταση του καλωδίου ή του διακόπτη.

Αντικατάσταση της ασφάλειας στο φιν αναπήρα αυτοκινήτου

- ◆ Αφαιρέστε το καπάκι περιστρέφοντάς το προς τα αριστερά.
- ◆ Χαλαρώστε το καπάκι και τον κεντρικό πείρο.
- ◆ Αφαιρέστε την ασφάλεια.
- ◆ Τοποθετήστε μια καινούργια ασφάλεια του ίδιου μεγέθους και τύπου (8A/250V).
- ◆ Τοποθετήστε και πάλι το καπάκι και τον κεντρικό πείρο.
- ◆ Σφίξτε το καπάκι στρέφοντάς το προς τα δεξιά επάνω στο φιν.

Προστασία του περιβάλλοντος



Επιλεκτική περισυλλογή. Αυτό το προϊόν δεν πρέπει να απορρίπτεται μαζί με τα κοινά οικιακά απορρίμματα.

Εάν κάποια μέρα διαπιστώσετε ότι το προϊόν σας Black & Decker χρειάζεται αντικατάσταση ή ότι δεν το χρειάζεστε άλλο, μην το απορρίψετε μαζί με τα κοινά οικιακά απορρίμματα, αλλά κάντε αυτό αυτό το προϊόν διαθέσιμο για ανεξάρτητη αποκομιδή.



Η ανεξάρτητη συλλογή των μεταχειρισμένων προϊόντων και των υλικών συσκευασίας επιτρέπει την ανακύκλωση και επαναχρησιμοποίηση των υλικών. Με την επαναχρησιμοποίηση των ανακυκλωμένων υλικών αποτρέπεται η ρύπανση του περιβάλλοντος και μειώνεται η ζήτηση πρώτων υλών.

Οι κανονισμοί που ισχύουν στην περιοχή σας ενδέχεται να προβλέπουν την επιλεκτική περισυλλογή των ηλεκτρικών συσκευών που προέρχονται από νοικοκυριά σε κρατικές εγκαταστάσεις ή από τον έμπορο όταν αγοράσετε ένα καινούργιο προϊόν.

Η Black & Decker δίνει τη δυνατότητα ανακύκλωσης των προϊόντων της που έχουν συμπληρώσει τη διάρκεια ζωής τους. Για να χρησιμοποιήσετε αυτήν την υπηρεσία, επιστρέψτε το προϊόν σας σε οποιοδήποτε εξουσιοδοτημένο κέντρο επισκευών, όπου θα το παραλάβουν εκ μέρους μας.

Ενημερωθείτε για το πλησιέστερο εξουσιοδοτημένο κέντρο επισκευών της περιοχής σας επικοινωνώντας με το τοπικό γραφείο της Black & Decker στη διεύθυνση που υποδεικνύεται σε αυτό το εγχειρίδιο. Επίσης, για να πληροφορηθείτε για τα εξουσιοδοτημένα κέντρα επισκευών της Black & Decker και τους αρμόδιους των υπηρεσιών που παρέχονται μετά την πώληση, μπορείτε να ανατρέξετε στο Διαδίκτυο, στη διεύθυνση: www.2helpU.com

Μπαταρίες



Στο τέλος της ωφέλιμης ζωής τους, απορρίψτε τις μπαταρίες με την προπεύουσα φροντίδα για το περιβάλλον μας:

- Μη βραχυκυκλώνετε τους ακροδέκτες της μπαταρίας.
- Μην απορρίπτετε την(τις) μπαταρία(ες) στη φωτιά, επειδή μπορεί να προκληθεί κίνδυνος προσωπικού τραυματισμού ή έκρηξη.
- Χρησιμοποιήστε τη συσκευή μέχρι να αδειάσει εντελώς η μπαταρία και στη συνέχεια αφαιρέστε τη από τη συσκευή.
- Οι μπαταρίες είναι ανακυκλώσιμες. Τοποθετήστε την(τις) μπαταρία(ες) σε κατάλληλη συσκευασία για να εξασφαλίσετε ότι οι ακροδέκτες δεν μπορούν να βραχυκυκλώσουν. Παραδώστε τις σε οποιοδήποτε εξουσιοδοτημένο αντιπρόσωπο επισκευών ή στον πλησιέστερο σταθμό ανακύκλωσης της περιοχής σας.

Τεχνικά χαρακτηριστικά

	ASI200
Τάση εισόδου	Vdc 12
Ρεύμα εισόδου	A 8
Πίεση (μέγ.)	kPa / psi / bar 827 / 120 / 8.27
Βάρος	kg 1.12

Δήλωση συμμόρφωσης με την Ευρωπαϊκή Κοινότητα

ASI200 H1

Η Black & Decker δηλώνει ότι τα προϊόντα αυτά συμμορφώνονται με:
Πρότυπα & Νομοθεσία.
EN60335, 2006/95/ΕΚ

Ο κάτωθι υπογεγραμμένος είναι υπεύθυνος για την κατάρτιση του τεχνικού φακέλου και δηλώνει τα παρόντα εκ μέρους της Black & Decker

Kevin Hewitt
Διευθυντής Εξυπηρέτησης Πελατών
Spennymoor, County Durham DL16 6JG,
Ηνωμένο Βασίλειο
09-07-2009

Εγγύηση

Η Black & Decker είναι σίγουρη για την ποιότητα των προϊόντων της και παρέχει σημαντική εγγύηση. Η παρούσα γραπτή εγγύηση αποτελεί πρόσθετο δικαίωμά σας και δε ζημιώνει τα νόμιμα δικαιώματά σας. Η εγγύηση ισχύει εντός της επικράτειας των Κρατών Μελών της Ευρωπαϊκής Ένωσης και της Ευρωπαϊκής Ζώνης Ελευθέρων Συναλλαγών.

Σε περίπτωση που κάποιο προϊόν της Black & Decker παρουσιάσει βλάβη εξαιτίας ελαττωματικών υλικών, ποιότητας εργασίας ή έλλειψης συμφωνίας με τις προδιαγραφές εντός 24 μηνών από την ημερομηνία αγοράς, η Black & Decker εγγυάται την αντικατάσταση των ελαττωματικών τμημάτων, την επισκευή προϊόντων που έχουν υποστεί εύλογη φθορά λόγω χρήσης ή την αντικατάσταση των προϊόντων προκειμένου να εξασφαλίσει την ελάχιστη ενόχληση στους πελάτες της, εκτός εάν:

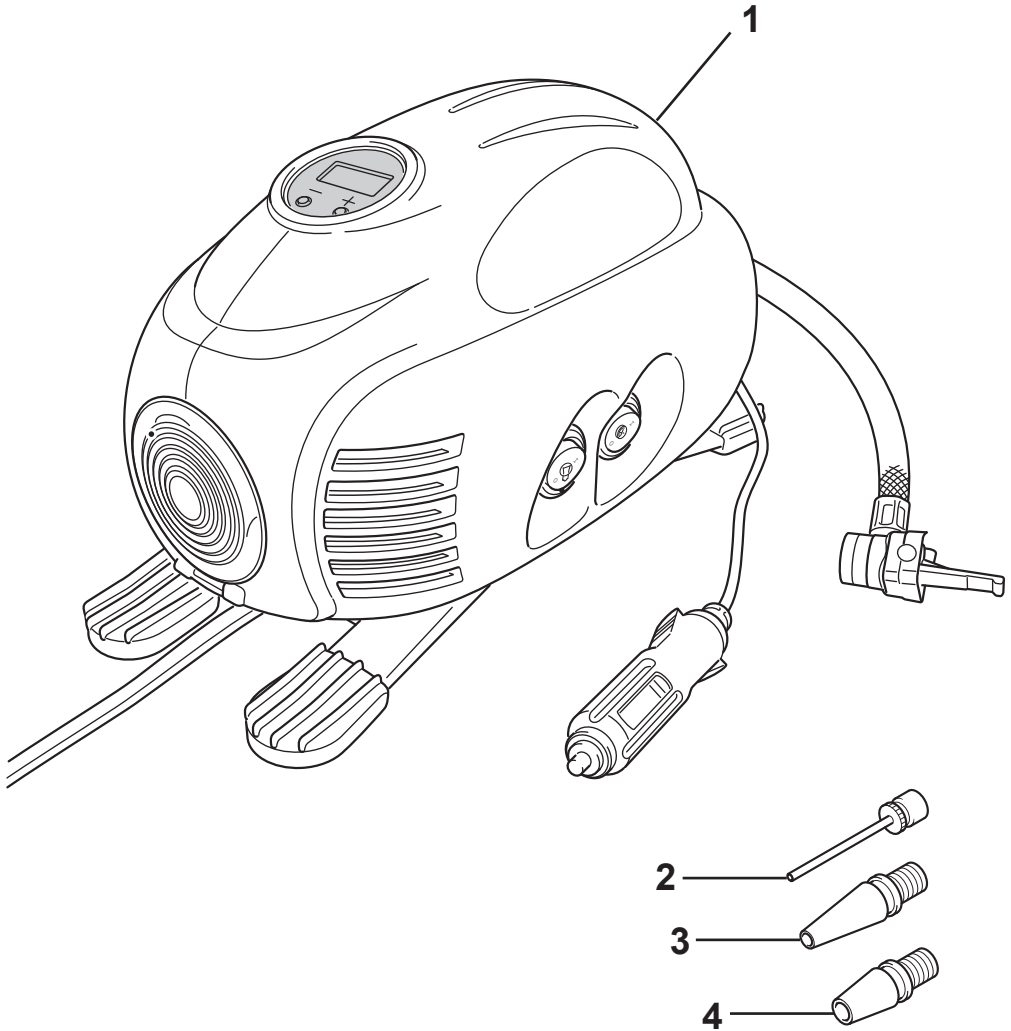
- Το προϊόν έχει χρησιμοποιηθεί σε εργασιακό, επαγγελματικό περιβάλλον ή αν έχει ενοικιαστεί.
- Έχει γίνει εσφαλμένη χρήση του προϊόντος ή έχει παραμεληθεί.

- ◆ Το προϊόν έχει υποστεί βλάβη από άλλα αντικείμενα, από ουσίες ή λόγω ατυχήματος.
- ◆ Έχει γίνει προσπάθεια επισκευής από άτομα άλλα από τα εξουσιοδοτημένα κέντρα επισκευών ή από το προσωπικό σέρβις της Black & Decker.

Για να ισχύσει η εγγύηση, πρέπει να υποβάλετε απόδειξη αγοράς στον πωλητή ή το εξουσιοδοτημένο κέντρο επισκευών. Ενημερωθείτε για το πλησιέστερο εξουσιοδοτημένο κέντρο επισκευών της περιοχής σας επικοινωνώντας με το τοπικό γραφείο της Black & Decker στη διεύθυνση που υποδεικνύεται σε αυτό το εγχειρίδιο. Επίσης, μια λίστα με τα εξουσιοδοτημένα κέντρα επισκευών της Black & Decker και πλήρεις λεπτομέρειες για τις υπηρεσίες που παρέχονται μετά την πώληση, υπάρχει στο Διαδίκτυο, στη διεύθυνση: **www.2helpU.com**

Παρακαλούμε επισκεφθείτε την ιστοσελίδα μας **www.blackanddecker.eu** για να καταχωρήσετε το νέο σας προϊόν Black & Decker και για να ενημερώνεστε για τα νέα προϊόντα και τις ειδικές προσφορές. Περισσότερες πληροφορίες σχετικά με τη μάρκα Black & Decker και τη σειρά των προϊόντων μας θα βρείτε στη διεύθυνση **www.blackanddecker.eu**.

Partial support - Only parts shown available
Nur die aufgeführten teile sind lieferbar
Reparation partielle - Seules les pieces indiquees sont disponibles
Supporto parziale - Sono disponibili soltanto le parti evidenziate
Solo estan disponibles las peizas listadas
So se encontram disponiveis as pecas listadas
Gedeeltelijke ondersteuning - alleen de getoonde onderdelen
zijn beschikbaar



België/Belgique	Black & Decker (Belgium) N.V. Nieuwlandiaan 321 3200 Aarschot	Tel. Fax	016 68 91 00 016 68 91 11
Danmark	Black & Decker Sluseholmen 2-4, 2450 København SV Internet: www.blackanddecker.dk	Tel. Fax	70 20 15 10 70 22 49 10
Deutschland	Black & Decker GmbH Black & Decker Str. 40, D - 65510 Idstein	Tel. Fax	06126/21 - 0 06126/21 29 80
Ελλάδα	Black & Decker (Ελλάς) A.E. Στράβωνος 7 & Λεωφ. Βουλιαγμένης 159 166 74 Γλυφάδα - Αθήνα	Τηλ. Φαξ www.blackanddecker.eu	210 8981616 210 8983285
España	Black & Decker Ibérica, S.C.A. Parc de Negocis "Mas Blau" Edificio Muntadas, c/Bergadá, 1, Of. A6 08820 El Prat de Llobregat (Barcelona)	Tel. Fax	934 797 400 934 797 419
France	Black & Decker (France) S.A.S. B.P. 21, 69571 Dardilly Cédex	Tel. Fax	04 72 20 39 20 04 72 20 39 00
Helvetia	ROFO AG Gewerbezone Seeblick 3213 Kleinbösingen	Tel. Fax	026-6749391 026-6749394
Italia	Black & Decker Italia SpA Viale Elvezia 2 20052 Monza (MI)	Tel. Fax Numero verde	039-23871 039-2387592/2387594 800-213935
Nederland	Black & Decker Benelux Joulehof 12, 4622 RG Bergen op Zoom	Tel. Fax	0164 - 283000 0164 - 283100
Norge	Black & Decker (Norge) A/S Postboks 4814, Nydalen, 0422 Oslo Internet: www.blackanddecker.no	Tlf. Fax	22 90 99 00 22 90 99 01
Österreich	Black & Decker Vertriebsges.m.b.H Oberlaaerstraße 246, A1100 Wien	Tel. Fax	01 66116-0 01 66116-14
Portugal	Black & Decker Rua Egas Moniz 173 S. João do Estoril 2766-651 Estoril	Tel. Fax	214667500 214667580
Suomi	Black & Decker Oy Keilasatama 3, 02150 Espoo Black & Decker Oy, Kägelhamnen 3, 02150 Esbo	Puh. Faksi Tel. Fax	010 400 430 (09) 2510 7100 010 400 430 (09) 2510 7100
Sverige	Black & Decker AB Fabriksg. 7, 412 50 Göteborg	Tel. Fax	031-68 60 60 031-68 60 80
United Kingdom	Black & Decker 210 Bath Road Slough, Berkshire SL1 3YD	Tel. Fax Helpline	01753 511234 01753 551155 01753 574277
Middle East & Africa	Black & Decker (Overseas) A.G. PB 5420, Dubai, United Arab Emirates	Tel. Fax	+971 4 2826464 +971 4 2826466

ENGLISH

Do not forget to register your product!
www.blackanddecker.co.uk/productregistration

Register your product online at **www.blackanddecker.co.uk/productregistration** or send your name, surname and product code to Black & Decker in your country.

DEUTSCH

Vergessen Sie nicht, Ihr Produkt registrieren zu lassen!
www.blackanddecker.de/productregistration

Lassen Sie Ihr Produkt unter **www.blackanddecker.de/productregistration** online registrieren oder schicken Sie Ihren Nachnamen, Vornamen und den Produktcode an Black & Decker in Ihrem Land.

FRANÇAIS

N'oubliez pas d'enregistrer votre produit !
www.blackanddecker.fr/productregistration

Enregistrez votre produit en ligne sur **www.blackanddecker.fr/productregistration** ou envoyez vos nom, prénom et code produit à Black & Decker dans votre pays.

ITALIANO

Non dimenticate di registrare il prodotto!
www.blackanddecker.it/productregistration

Registrate il prodotto online su **www.blackanddecker.it/productregistration** o inviate nome, cognome e codice del prodotto al centro Black & Decker del vostro paese.

NEDERLANDS

Vergeet niet uw product te registreren!
www.blackanddecker.nl/productregistration

U kunt uw product online registreren op **www.blackanddecker.nl/productregistration** of u kunt uw voornaam, achternaam en productcode opsturen naar Black & Decker in uw land.

ESPAÑOL

¡No olvide registrar su producto!
www.blackanddecker.es/productregistration

Registre su producto on-line en **www.blackanddecker.es/productregistration** o envíe su nombre, apellidos y código de producto a Black & Decker en su país.

PORTUGUÊS

Não se esqueça de registrar o seu produto!
www.blackanddecker.pt/productregistration

Registe o seu produto online em **www.blackanddecker.pt/productregistration** ou envie o seu nome, apelido e código do produto para a Black & Decker no seu país.

SVENSKA

Glöm inte att registrera produkten!
www.blackanddecker.se/productregistration

Registrera produkten online på **www.blackanddecker.se/productregistration** eller skicka namn och produktkod till Black & Decker i landet du bor i.

NORSK

Ikke glem å registrere produktet ditt!
www.blackanddecker.no/productregistration

Registrer produktet ditt online på **www.blackanddecker.no/productregistration**, eller send ditt navn, etternavn og produktkode til Black & Decker i ditt eget land.

DANSK

Glem ikke at registrere dit produkt!
www.blackanddecker.dk/productregistration

Registrer dit produkt på internettet på: **www.blackanddecker.dk/productregistration** eller send dit navn, efternavn og produktkode til Black & Decker i dit eget land.

SUOMI

Muistathan rekisteröidä tuotteesi!
www.blackanddecker.fi/productregistration

Rekisteröi tuotteesi verkossa osoitteessa **www.blackanddecker.fi/productregistration** tai lähetä etunimesi, sukunimesi ja tuotekoodi oman maasi Black & Decker -edustajalle.

ΕΛΛΗΝΙΚΑ

Μην ξεχάσετε να καταχωρίσετε το προϊόν σας!
www.blackanddecker.gr/productregistration

Καταχωρίστε το προϊόν σας σε σύνδεση στη σελίδα **www.blackanddecker.gr/productregistration** ή στείλτε το όνομα, επίθετο σας και τον κωδικό πριονωτός στη Black & Decker στη χώρα σας.