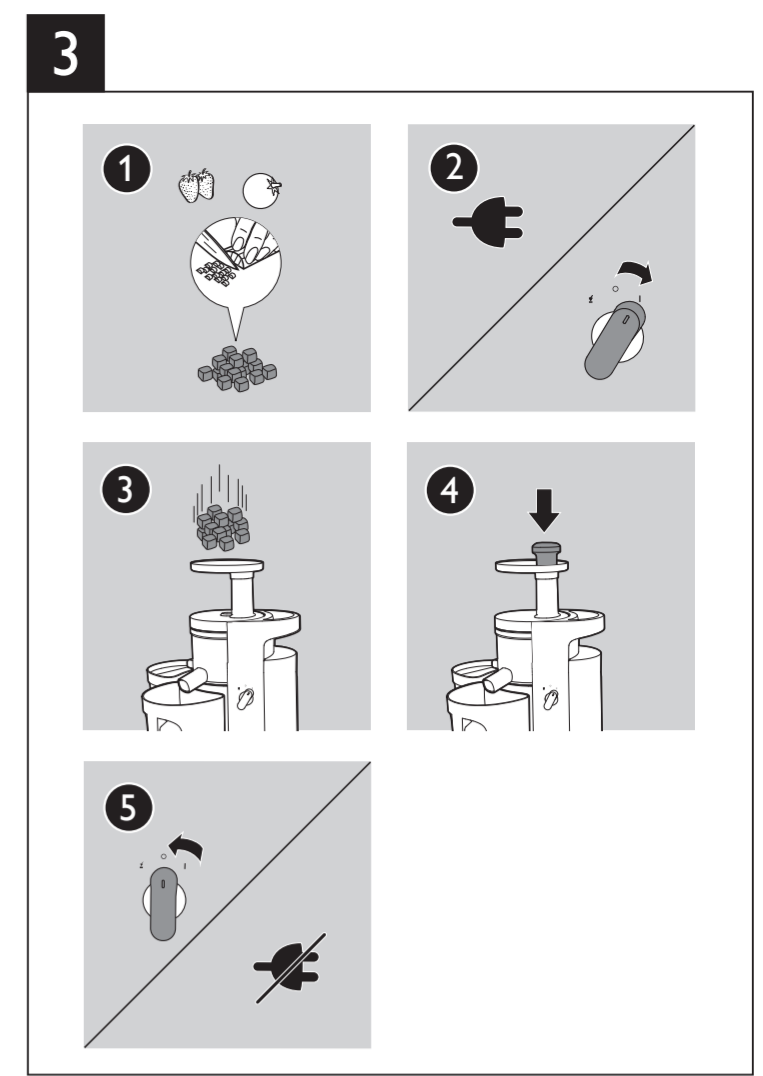
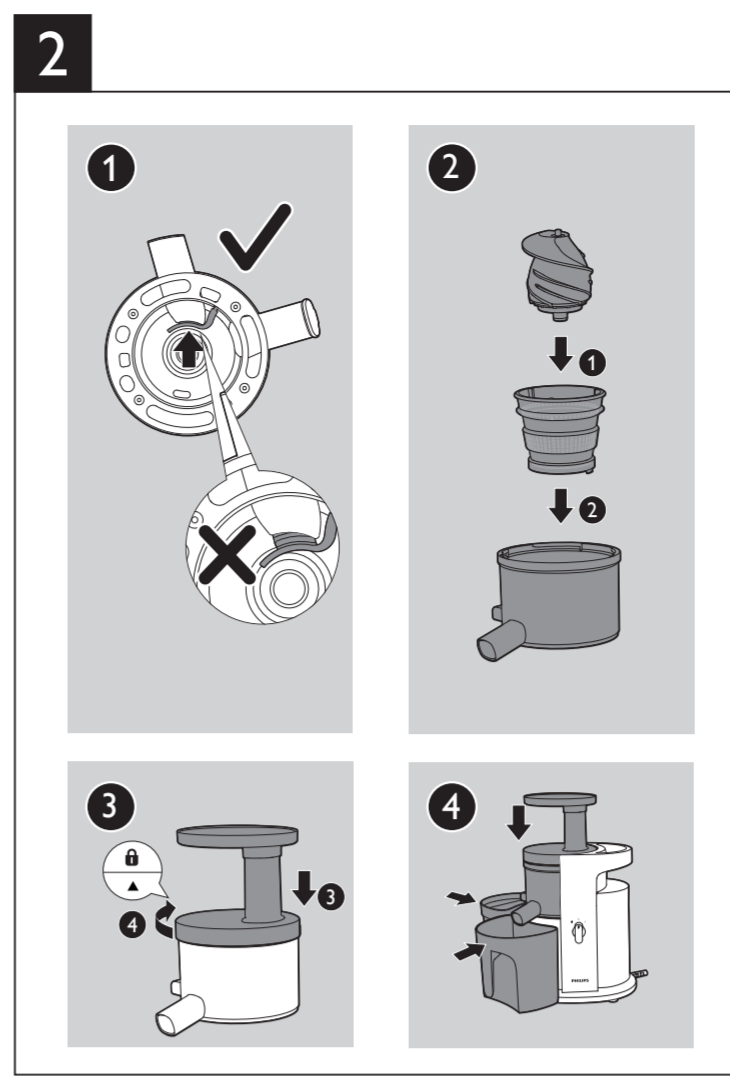
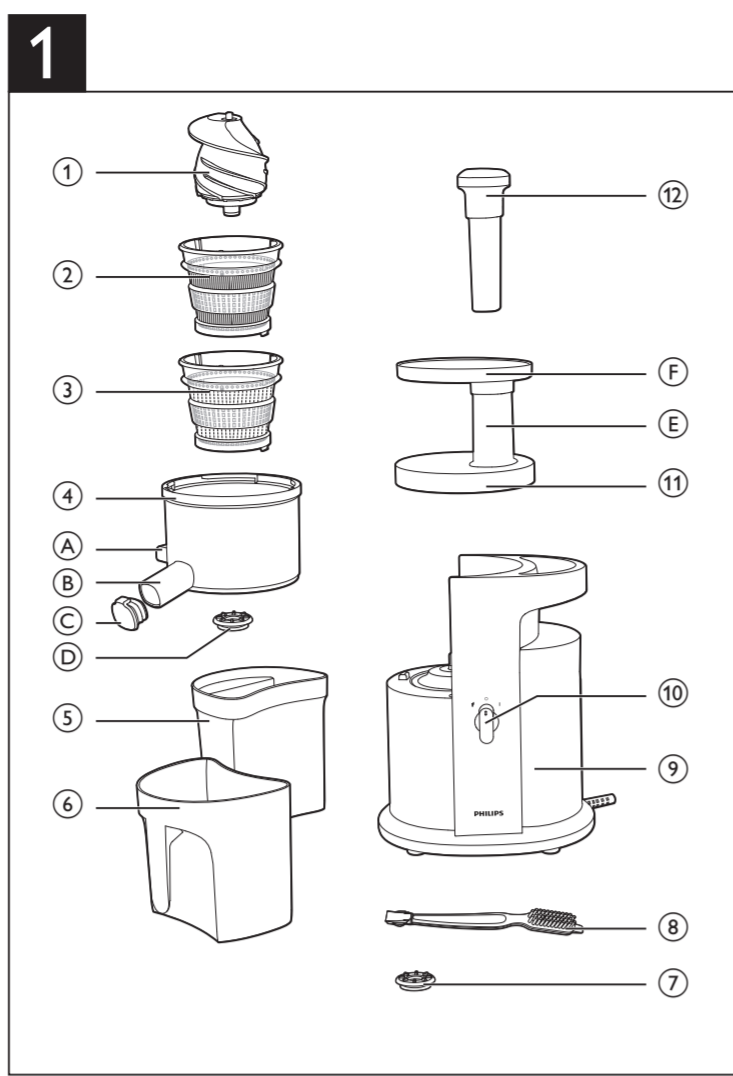




EN	User manual	NL	Gebruiksaanwijzing
DA	Brugervejledning	NO	Brukerhåndbok
ES	Manual del usuario	PL	Instrukcja obsługi
FI	Käyttöopas	PT	Manual do utilizador
FR	Mode d'emploi	SV	Användarhandbok
IT	Manuale utente		

**PHILIPS**



Specifications are subject to change without notice  
© 2016 Koninklijke Philips N.V.  
All rights reserved.

4241 210 18294

**English**

**1 Your slow juicer**

Congratulations on your purchase, and welcome to Philips!  
To fully benefit from the support that Philips offers, register your product at [www.philips.com/welcome](http://www.philips.com/welcome). Read this user manual carefully before you install and use the unit. Save it for future reference.

**2 Important**

Read this user manual carefully before you use the appliance, and save it for future reference.

**Danger**

- Do not immerse the main unit of the slow juicer in water, any other fluid, nor rinse it under the tap. Use only a moist cloth to clean.

**Warning**

- Check if the voltage indicated on the slow juicer corresponds to the local power voltage before you connect it.
- Do not connect the appliance to an external timer to prevent danger.
- Only connect the slow juicer to a grounded power outlet. Always make sure that the plug is inserted firmly into the power outlet.
- Make sure that the damaged power cord is replaced by Philips, a service center authorized by Philips or similarly qualified persons in order to avoid a hazard.
- If you detect cracks in the sieve, the driving shaft, or any accessories is damaged in any way, do not use the appliance anymore and contact the nearest Philips service center. Do not replace parts of the appliance yourself.
- This appliance shall not be used by children.
- This appliance can be used by persons with reduced physical, sensory or mental capabilities or lack of experience and knowledge if they have been given supervision or instruction concerning use of the appliance in a safe way and if they understand the hazards.
- For their safety, do not allow children to play with the appliance.
- Keep the appliance and its power cord out of the reach of children. Do not hang the power cord over the desk or table edge, where you place the appliance.
- To prevent a short circuit or an electric shock, make sure that your hands are dry before you insert the plug into the power outlet and switch on the appliance.
- Never let the appliance run unattended.
- Never reach into the feeding tube and the main unit with your fingers or an object while the slow juicer is running. Never use any objects to replace the pusher. Keep

your eyes from the feeding tube to avoid accidents.

**Caution**

- This appliance is intended for household use only.
- Never use any accessories or parts from other manufacturers or that Philips does not specifically recommend. If you use such accessories or parts, your guarantee becomes invalid.
- Do not use this appliance on an unstable or uneven surface.
- Before you insert the plug into the power outlet, make sure that the appliance is assembled correctly.
- Unplug the appliance immediately after use.
- Switch off and unplug the appliance from the power outlet after use. Wait till the main unit and the driving shaft stop turning, then you can take out any accessories from the main unit.
- Cut large ingredients into pieces that fit into the feeding tube. Remove stones, cores, seeds, and thick peels in fruits or vegetables before juicing.
- Do not exert too much pressure on the pusher, since this would affect the quality of the end result and it could even cause the driving shaft to come to a halt.
- Food coloring can discolor components. This is normal and has no impact on use.
- Do not use the appliance continuously for more than 30 minutes. This is to protect the lifetime of the appliance.
- When the appliance is stopped and cannot automatically reverse, turn the control knob to OFF. Then, turn the control knob to the REV position to clear the ingredients from the appliance. Turn the control knob to ON again to use the appliance. If it is still blocked, clean the driving shaft before you re-use again. This is to protect the appliance.
- To prevent damages due to heat deformation, never use water with a temperature of over 60°C or a microwave oven to clean all components.
- Do not use scouring pads, abrasive cleaning agents or aggressive liquids such as petrol, alcohol or acetone to clean the appliance.

**EMF**

This Philips appliance complies with all applicable standards and regulations regarding exposure to electromagnetic fields.

**3 Overview (fig. 1)**

① Driving shaft	⑦ Backup sealing ring
② Fine sieve	⑧ Cleaning brush
③ Coarse sieve (HR1882 only)	⑨ Main unit
<b>Juice collector</b>	⑩ Control knob
A. Pulp spout	
B. Juice spout	
C. Drip-proof plug	
D. Sealing ring	
⑤ Pulp container	⑪ E. Feeding tube
	F. Tray
⑥ Juice jug	⑫ Pusher

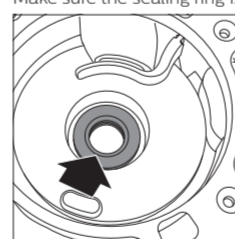
**4 Before first use**

Take out all the accessories and clean the parts of the slow juicer thoroughly before using it for the first time (see chapter "Cleaning").  
Make sure all parts are completely dry before you start using the slow juicer.

**5 Assembling the slow juicer (fig. 2)**

**Note**

- Make sure the sealing ring is firmly inserted into the juice collector.



- If the sealing ring on the juice collector is aging or damaged, replace it with the backup sealing ring.

- There is a rubber pad underneath the juice collector. Before using the appliance, make sure it is firmly plugged in to avoid leakage or prevent the pulp outlet from getting blocked.
- Align the indications on the sieve (▼) and the one on the juice collector, and then put the sieve into the juice collector.
- Place the driving shaft into the sieve.
- Place the lid onto the juice collector. Turn the lid clockwise until the indication (▲) on the juice collector and (■) on the lid are aligned.
- Align the indications (▼, ▲) on the juice collector and the main unit respectively. Then, insert the juice collector into the main unit.
- Put the pulp container and juice jug under the spouts respectively.

**6 Using the slow juicer (fig. 3)**

**Caution**

- Never insert your fingers or an object into the feeding tube.
- When the appliance is stopped and cannot automatically reverse, turn the control knob to the off position "0". Then, turn the control knob to the reverse position "4" to clear the ingredients from the appliance. Turn the control knob to "1" again to use the appliance. If it is still blocked, clean the driving shaft and remove food residues in it before you re-use again. This is to protect the appliance.

**Note**

- The appliance will only function if all parts have been properly assembled and the lid has been properly locked in place with the juice collector.
- Cut the ingredients into pieces that fit into the feeding tube.
- For HR1882, the coarse sieve is more suitable to juice soft fruits or vegetables such as tomatoes and berries.
- During processing, the appliance may vibrate slightly. This is normal.
- Do not exert too much pressure on the pusher, as this could affect the quality of the end result and it could even cause the sieve to come to a halt.
- To prevent juice from dripping onto the table, insert the drip-proof plug into the juice outlet before moving the juice jug from under the juice outlet.
- Drink the juice immediately after you have extracted it. If it is exposed to air for some time, the juice loses its taste and nutritional value.

**Tip**

- Use fresh fruit and vegetables, as they contain more juice. Fruits like apples, pears, pineapples, grapes, pomegranates, oranges and melons, and vegetables like carrots, cucumbers, tomatoes, celery stalks are suitable for processing in the slow juicer.
- When juicing a large amount of hard fruits or vegetables such as carrots, celery stalks and spinach, the rubber pad on the juice collector might be pushed open, and the appliance might be blocked. To help avoid the situation, cut the fruits or vegetables into small cubes or pieces.
- Remove thick peels, e.g. those of pineapples, oranges and pomegranates. You do not have to remove thin peels or skins.
- If you want to juice fruits with stones, such as peach, plum or cherry, remove the stone before juicing.
- The slow juicer is not suitable for processing very hard and/or fibrous or starchy fruits or vegetables such as sugar cane. Fruits that contain starch, such as bananas, papayas, avocados, figs and mangoes are also not suitable for processing in the slow juicer. Use a food processor or blender to process these fruits.

**7 Cleaning (fig. 4)**

**Cautions**

- Before cleaning, make sure the appliance is switched off and the sieve has stopped rotating.
- Never use scouring pads, abrasive cleaning agents or aggressive liquids such as alcohol, petrol or acetone to clean the appliance.
- Never immerse the motor unit in water nor rinse it under the tap.
- Do not clean the sieve with your hands to avoid getting cut. Use the provided brush for this matter.

**Note**

- Apart from the main unit, lid, pusher, and the brush, all the other parts are dishwasher proof.
- Wipe the appliance with a soft cloth and make sure the appliance is clean and dry before storage.

**Tip**

- The appliance is easier to clean if you do so immediately after use.
- Use the pointed top of the cleaning brush to poke out the pulp stuck in the detachable parts.

- Take out the pusher.
- Turn the lid anti-clockwise until (■) aligns with the indication (▲) on the juice collector, and then remove the lid.
- Remove the juice collector from the main unit.
- Take out the driving shaft, sieve and sealing ring.
- Unplug the rubber pad underneath the juice collector, and use the point top of the cleaning brush to poke out food residues inside of the pulp outlet.
- Use the silicone end of the cleaning brush to wipe off the pulp on the sieve, and then brush away the pulp stuck in the holes.
- Clean the detachable parts with the provided cleaning brush in warm water with some washing-up liquid and rinse them under the tap.
- Clean the main unit with a damp cloth.

**8 Recycling**

This symbol means that this product shall not be disposed of with normal household waste (2012/19/EU).  
Follow your country's rules for the separate collection of electrical and electronic products. Correct disposal helps prevent negative consequences for the environment and human health.

**9 Guarantee and service**

If you have a problem, need service or need information, see [www.philips.com/support](http://www.philips.com/support) or contact the Philips Consumer Care Center in your country.









