

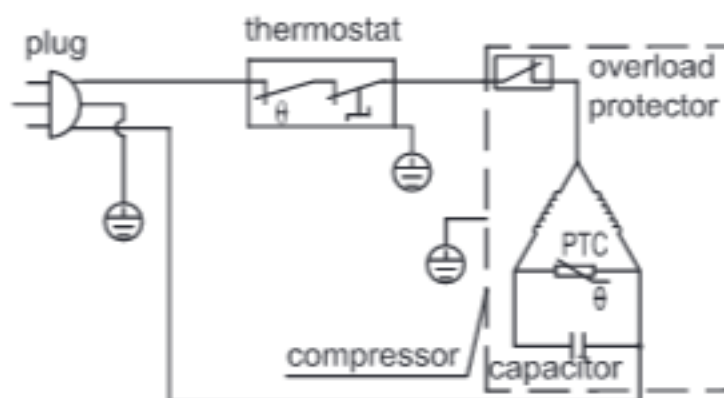
# CHiQ

## FREEZER

### MODEL:CSD90D4D

CLIMATE CLASS	N/ST
RATED VOLTAGE	220-240V~
RATED CURRENT	0.35A
RATED FREQUENCY	50HZ
Energy Consumption of E <sub>32</sub>	0.433kWh/24h
FREEZER STORAGE VOLUME	85L
INSULATION BLOWING GAS	Cyclopentane
CLASS OF PROTECTION AGAINST ELECTRIC SHOCK	Class I
REFRIGERANT/AMOUNT	R600a/48g
FREEZING CAPACITY	4kg/24h
TEMPERATURE RISE TIME	10h
NET WEIGHT	28Kg
PRODUCT DIMENSIONS(W*D*H)	549x557x845mm

### Diagram of Circuit Principles



Made in PRC

Serial Number: 印序列号



68 mm

98 mm