

ASSEMBLY INSTRUCTIONS

BUNK BED

Ref: 1405/90

IMPORTANT: READ THESE INSTRUCTIONS CAREFULLY BEFORE ASSMBLING OR USING YOUR 1405 BUNK

PLEASE KEEP THESE INSTRUCTIONS FOR FUTURE REFERENCE.

HEALTH & SAFETY:

DO NOT jump on this bed frame

This bed has not been designed or constructed as play equipment

DO NOT use this bed frame if any parts are missing, damaged or worn

DO NOT use this bed frame unless all fixings are secured

Always use on a level, even surface

Be aware of the danger of young children (under 6) falling from the upper bunk. It is not advisable for children under the age of 6 to sleep on the top bunk

The top of the mattress must not be above the line marked on the bed post

Always use the guard rails on both long sides of the upper bunk

Please keep small parts out of reach of children.

CAUTION: There is the risk of strangulation to children from items such as string, ropes, cords, harnesses and belts hanging from the bed frame.

Warning "Hingh beds and the upper bed of bunk beds are not suitable for children under six years due to therisk of injury from fall"

Warning "Bunk beds and high beds can present a serious risk of strangulation if not used correctly. Never attach or hang items to any part of the, for example but no limited to ropes,strings, cords, hooks, belts and bags"

Warning "Children can become trapped between the bed and the wall, a roof pitch ceiling, adjoining pieces of furniture (e.g. cupboards) and the like. To avoid risk of serious injury the distance between the top safetv barrier and the adjoining structure shall not exceed 75 mm or shall be more than 230 mm"

Warning Do not use the bunk bed/high bed if any structural part is broken or missing;

Always follow the manufacture's instructions;

The recommended size of mattress(es); is 1980 mm by 900 mm wide.

A statement that ventilation of the room is necessary in order to keep the humidity low and prevent mould in and around the bed;

All bunk beds and high beds intended to be assembled by other than the manufacturer or his/her representativeshall include assembly instruvtions a list of the parts supplied and details of any tools required to assemble the bed;

WARNING: If this bed is placed on a non-carpeted floor you must place some protection under all legs to stop the bed frame from moving. If this is not adhered to there is no guarantee if the bed frame collapses.

CARE & MAINTENANCE:

Assemble in the room of use.

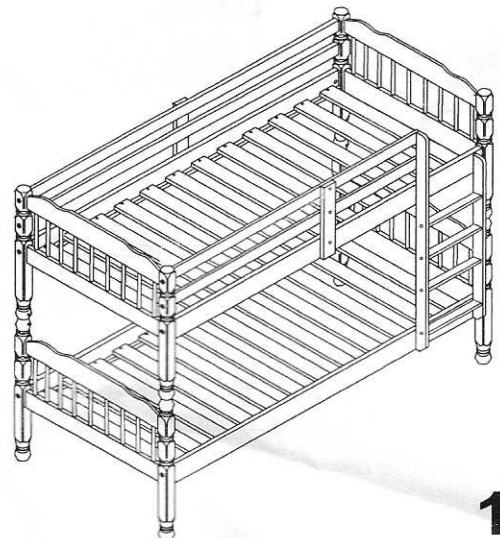
Periodically check all screws & fixings to ensure they are secure.

DO NOT push the bed frame as this will damage the legs.

Always lift the bed with two people to reposition.

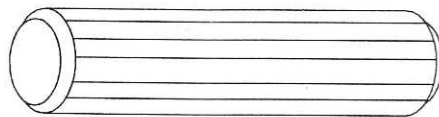
Keep any sharp objects away from the frame.

Recommended maximum mattress height for top bunk is 150 mm



FERRAGENS/ACESSÓRIOS HARDWARE/ACCESSORIES
HERRAJE/ACCESORIOS

Lx04



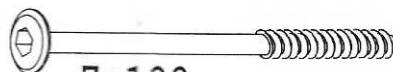
15x70

Ax30



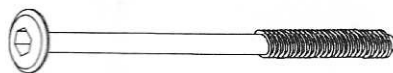
10x45

Cx06



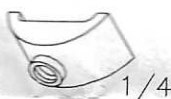
7x100

Dx08



1/4x110

Ex08



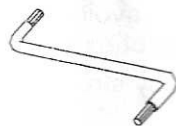
1/4

Ix08

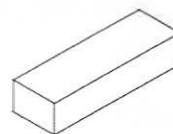


7x50

Fx01



Gx02



Bx04



5x50

Hx70

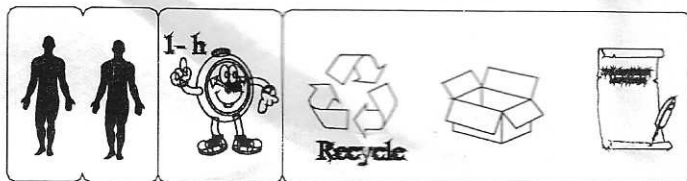


3,5x35

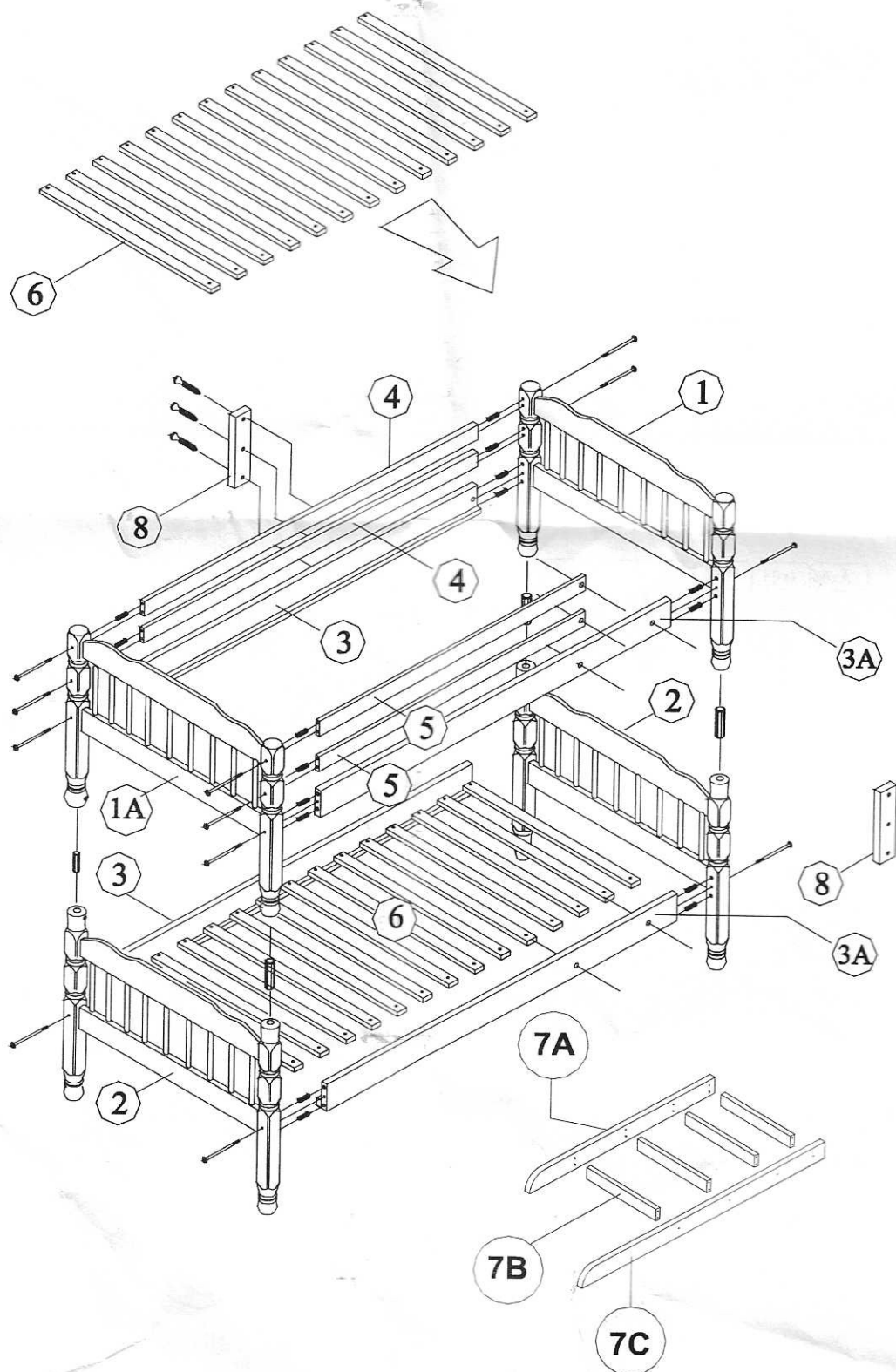
Jx02



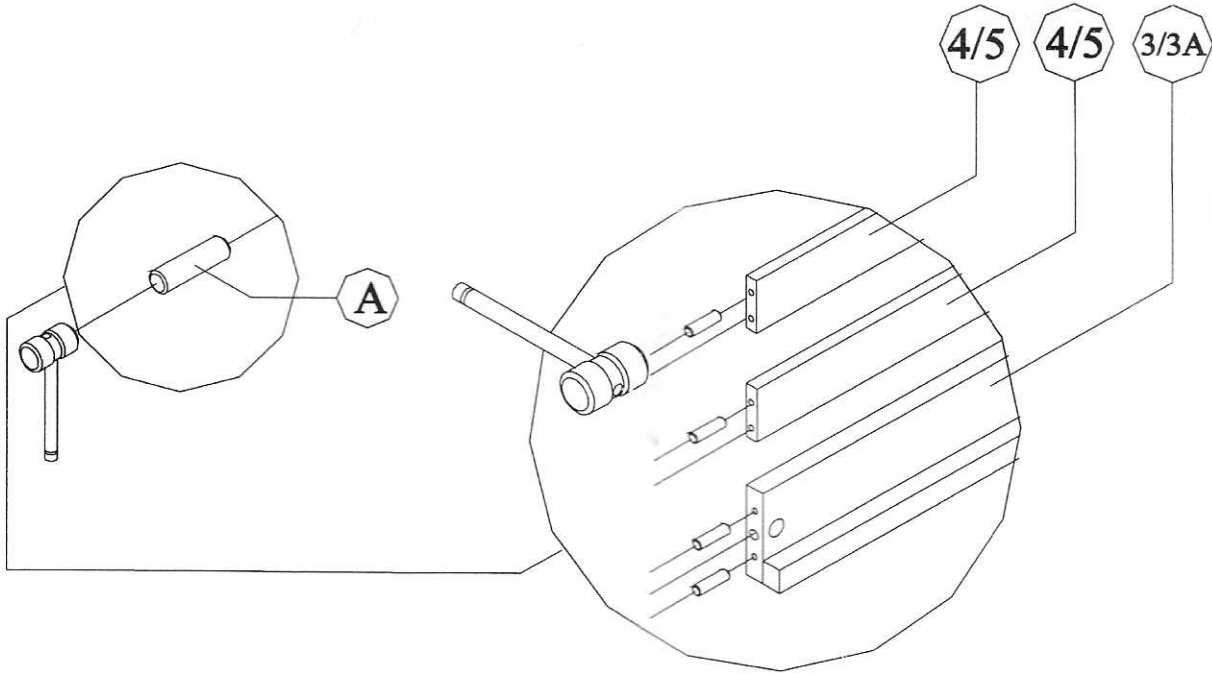
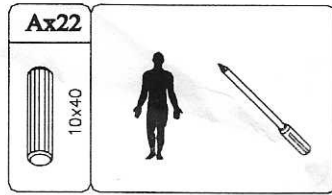
4,0x40



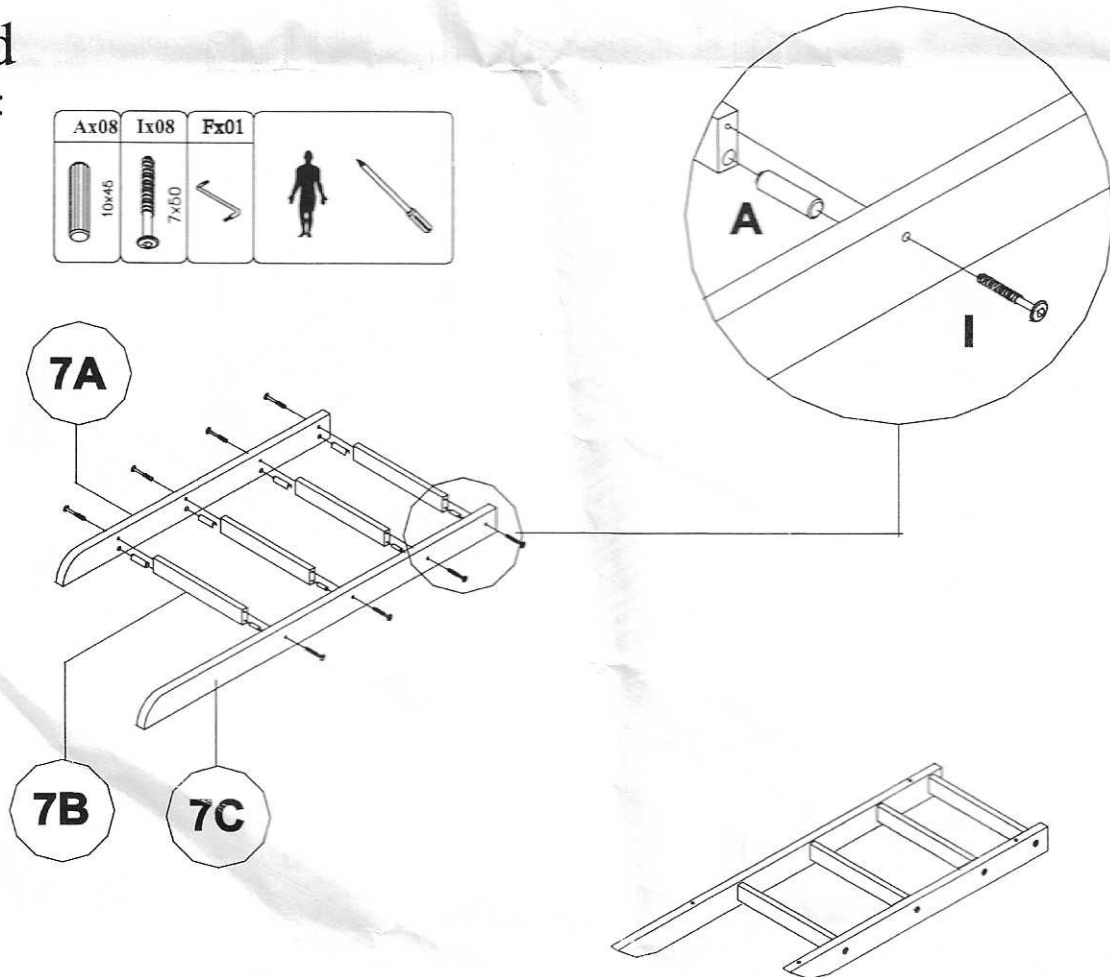
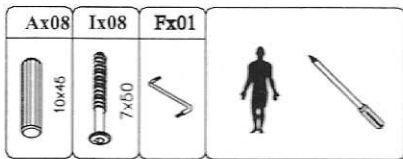
PARTES DO PRODUTO
PARTS OF THE PRODUCT
PARTES DE LOS PRODUCTOS



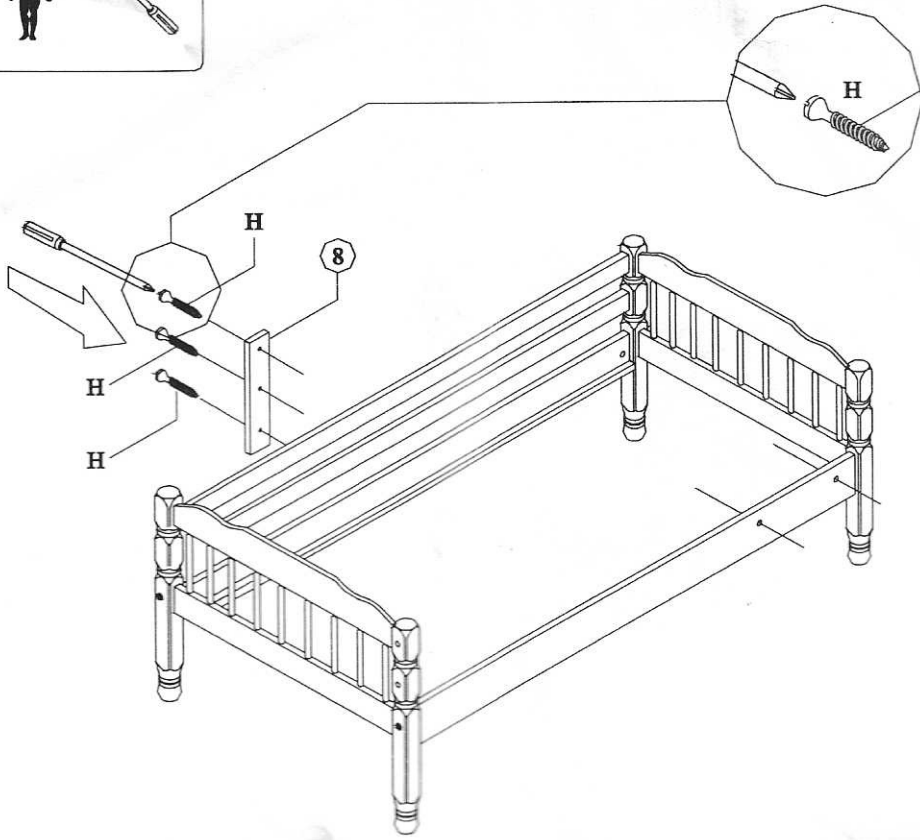
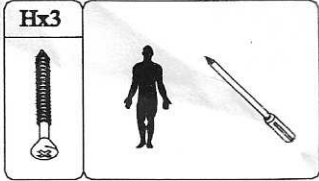
1° st
Step:



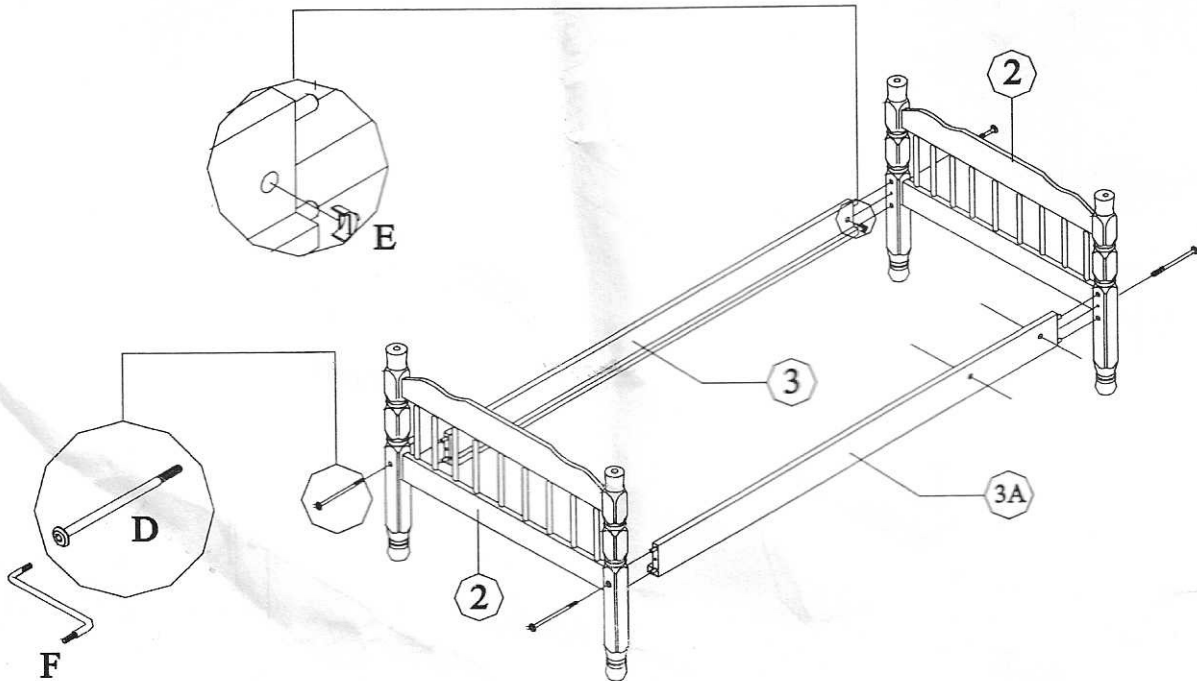
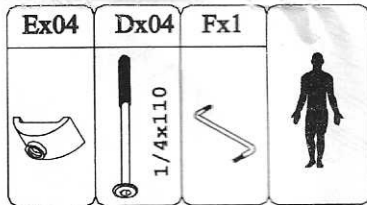
2° nd
Step:



4° th
Step:

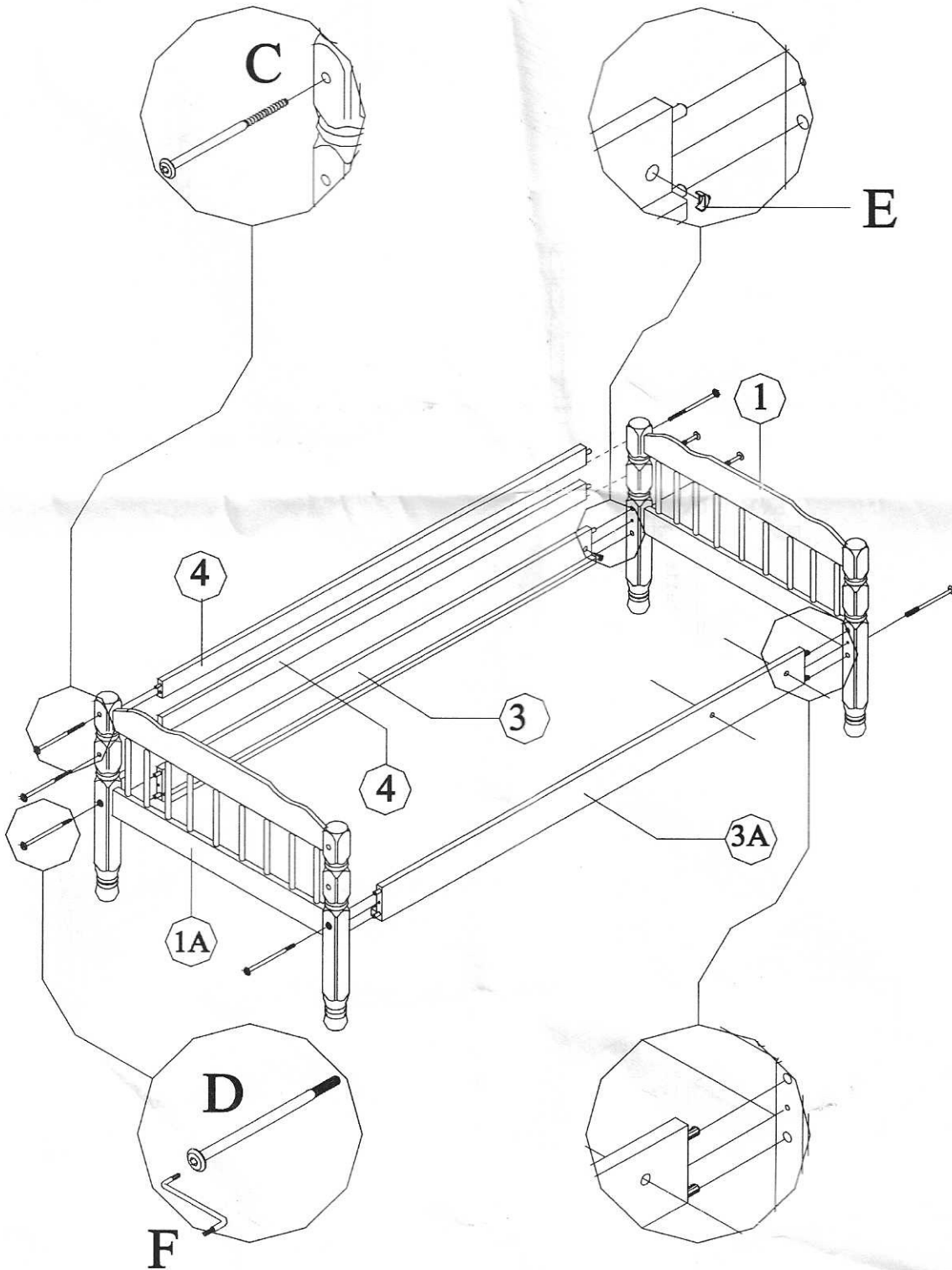


5° th
Step:

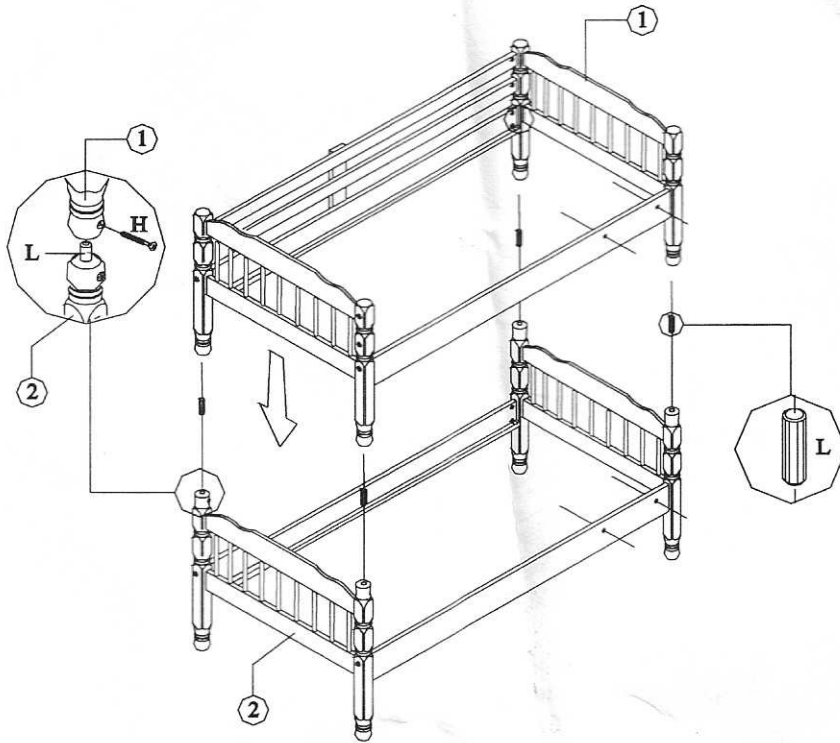
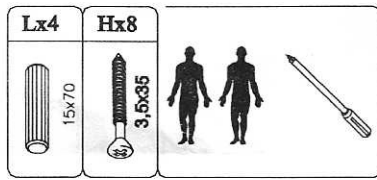


3^o nd
Step:

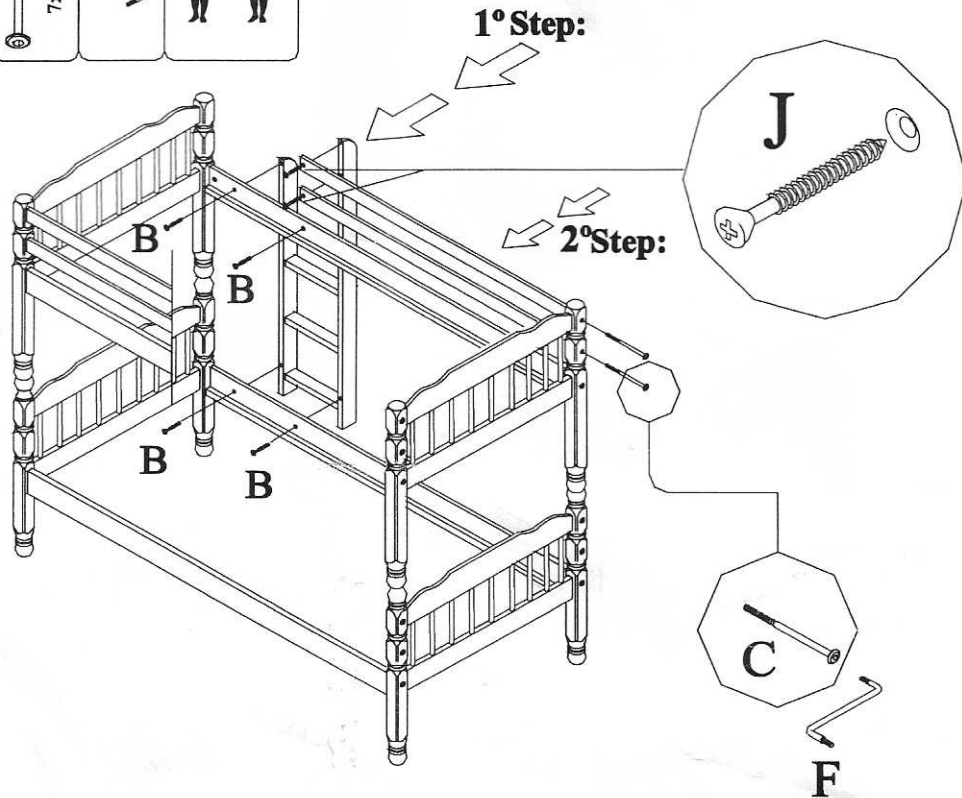
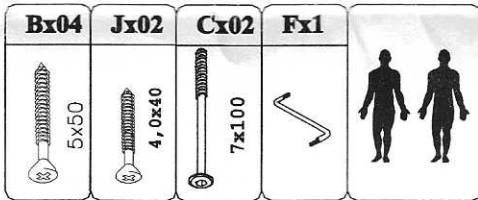
Cx04 7x100	Ex04 1/4	Dx04 1/4x110	Fx1	
---------------	-------------	-----------------	-----	--



6^o th
Step:



7^o th
Step:



8^o th
Step:

