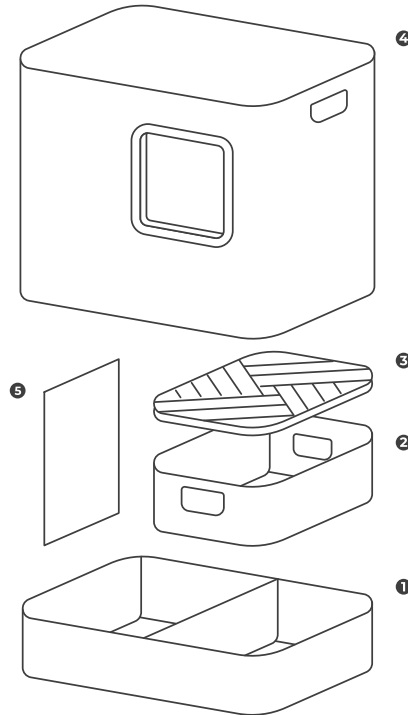


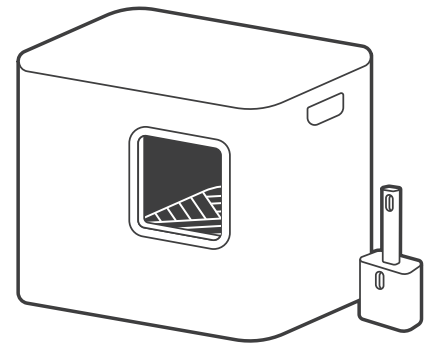
- ❶ Cat Litter Box
- ❷ Little Base Basin
- ❸ Filter Plate
- ❹ Cover
- ❺ Separator
- ❻ Shovel Holder
- ❼ Cat Litter Shovel

Size of the shovel
226×100×33mm

Size of the cover
515×390×381mm

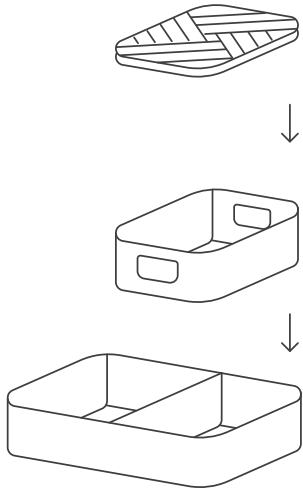


Dome Instructions



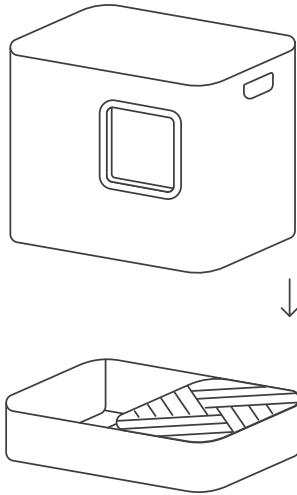
Patented design

Steps of installation



1

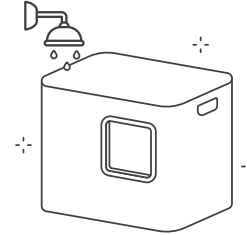
As the picture shows, Put the litter basin and separator into the corresponding place.



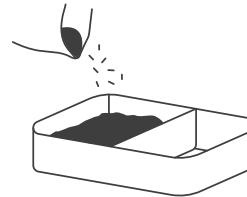
2

As the picture shows, put the opening side of the cover down and cover it onto the cat litter basin.

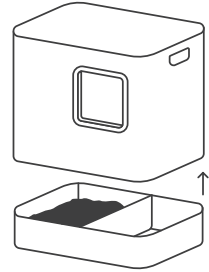
Usage



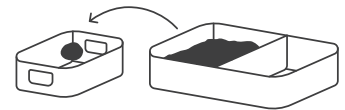
You can wash the cat litter toilet with water directly & dry it naturally. Don't dry it by heating method.



Spread the right amount cat litter evenly into the base basin.



When you clean up the pet feces, lift the cover up and put it on the floor.



You can use the litter base basin to hold the feces and pour them out to the right place.