




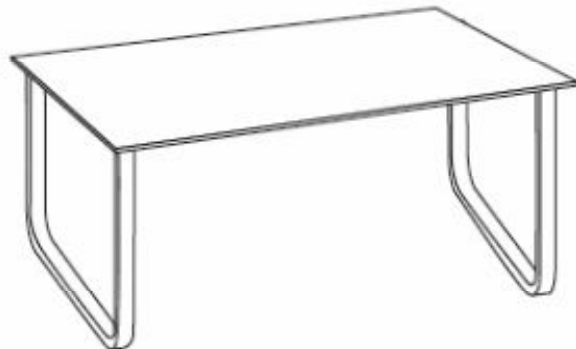


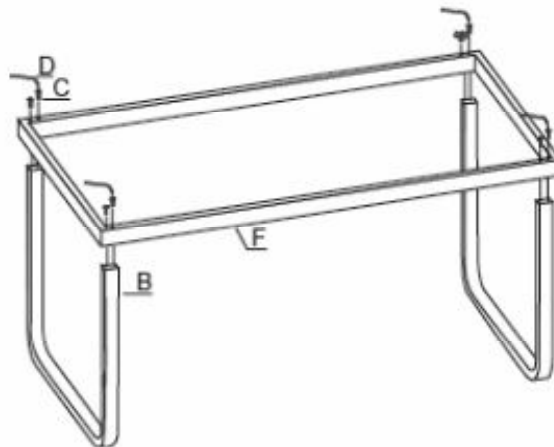
ASSEMBLY INSTRUCTION

Item NO: 3045-1

HARDWARE LIST			
NO.	PART	DESCRIPTION	Q'TY
A		top glass	1
B		leg	2
C		screw	8
D		allen key	1
E		sucker	6
F		frame	1



step 1



step 2

