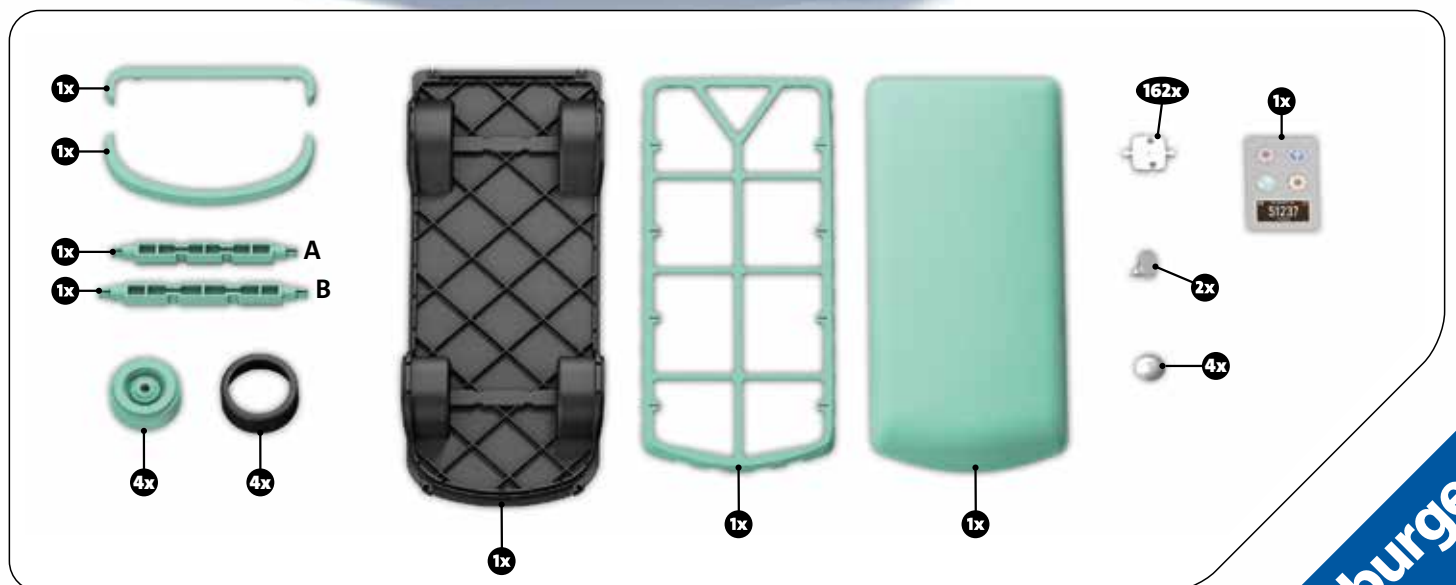
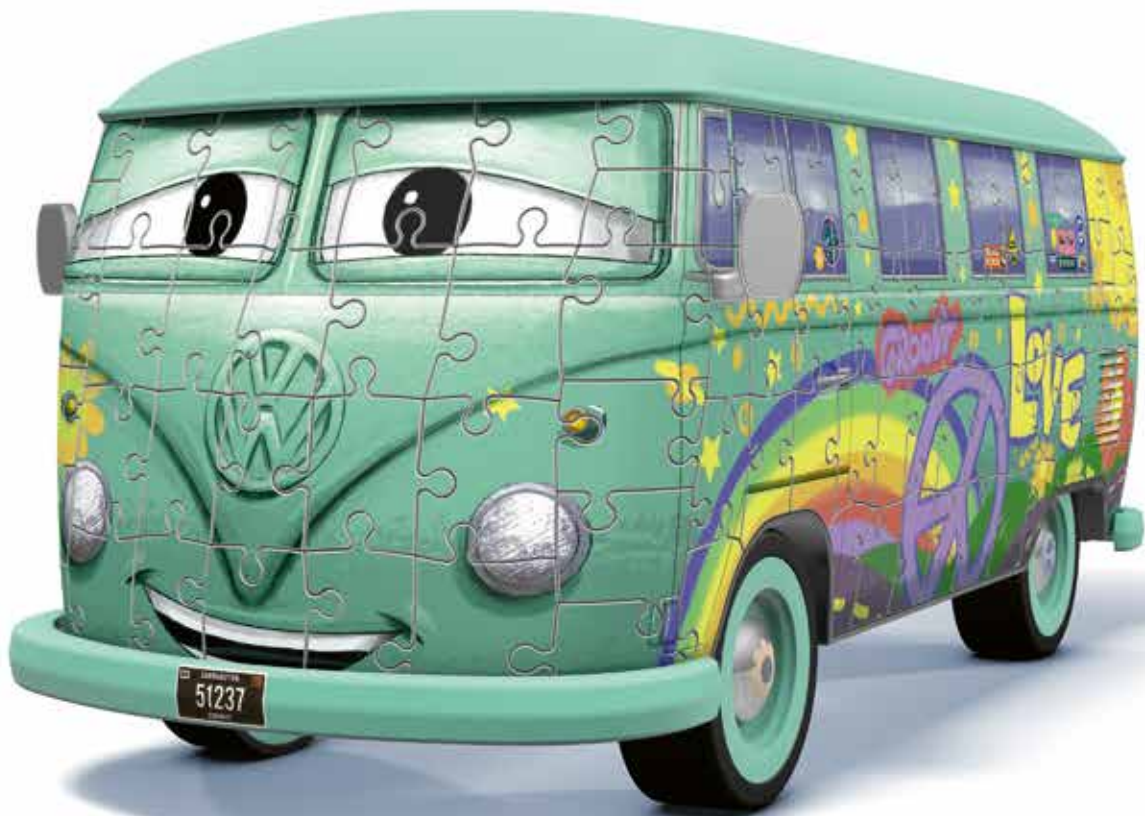
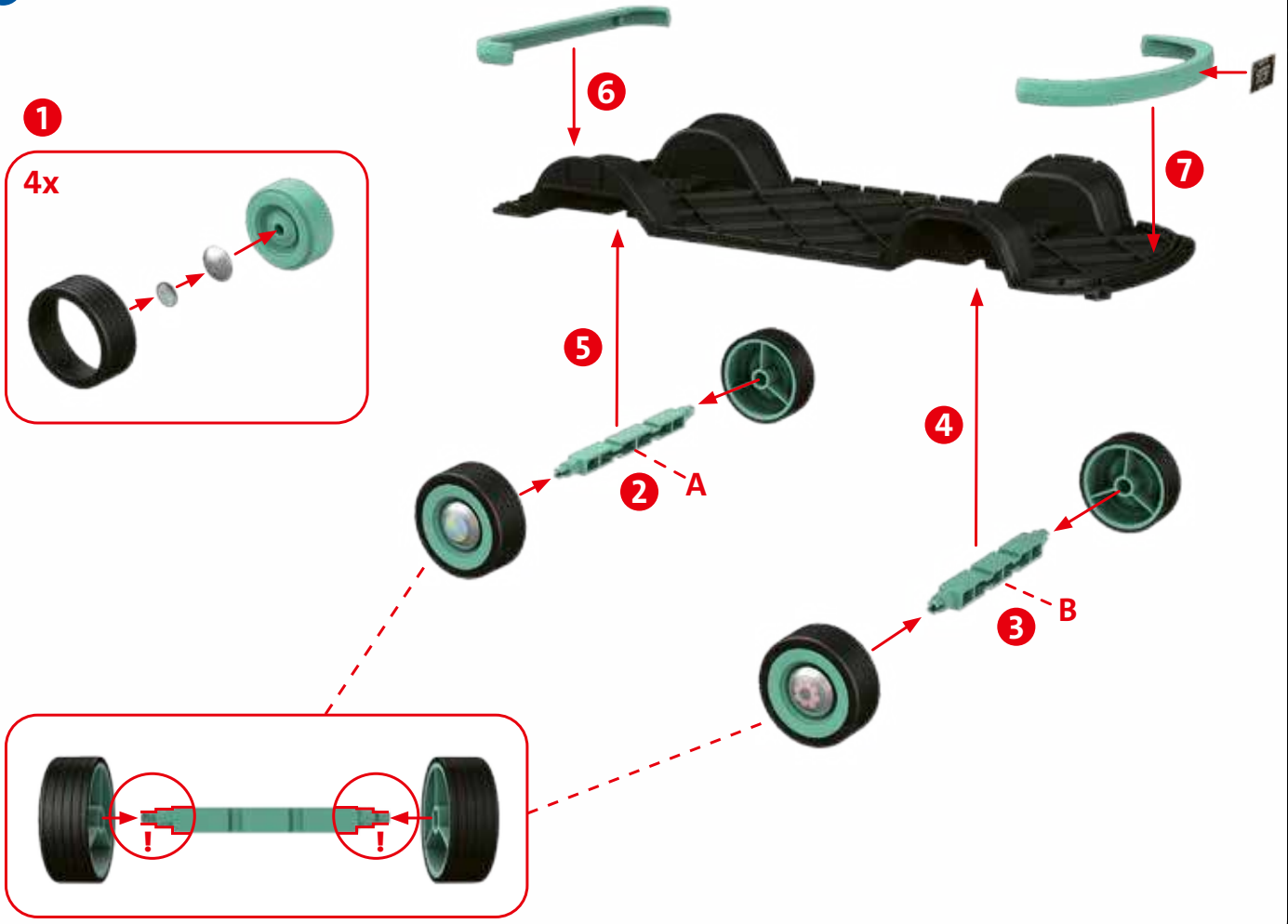


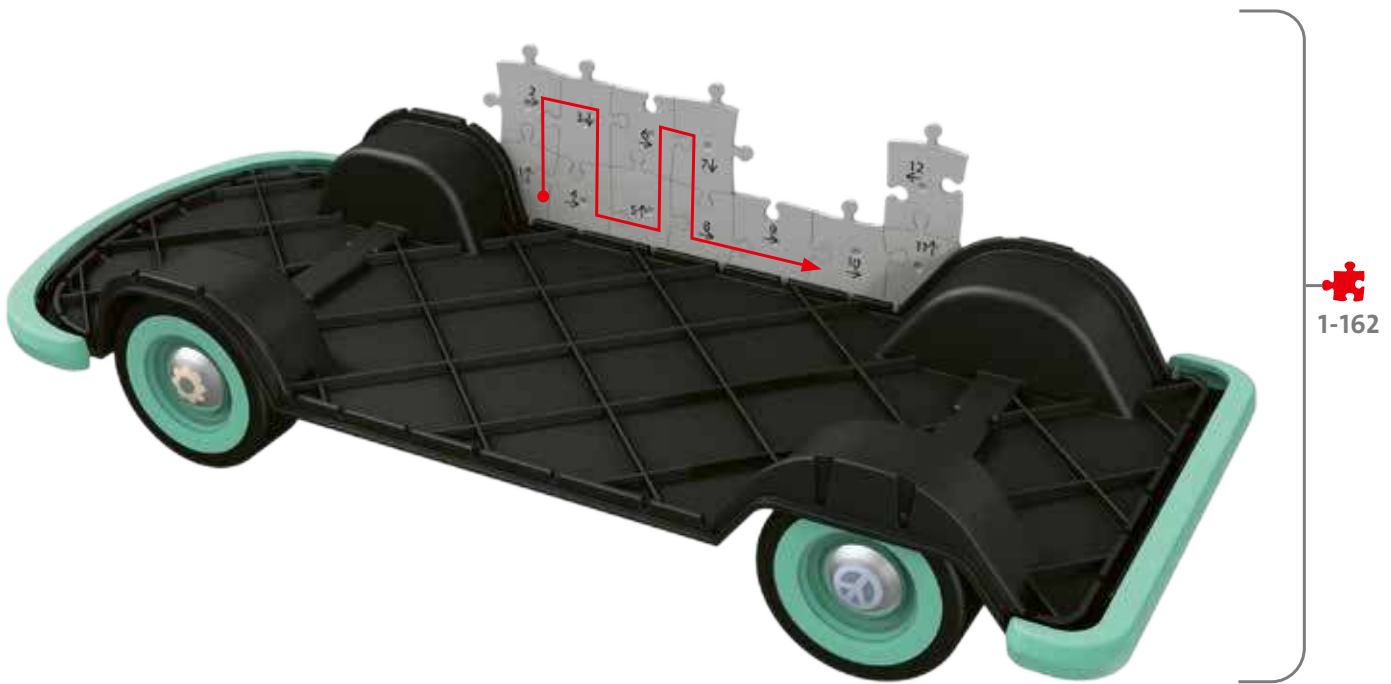
3D Puzzle



1



2



3

