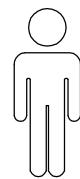
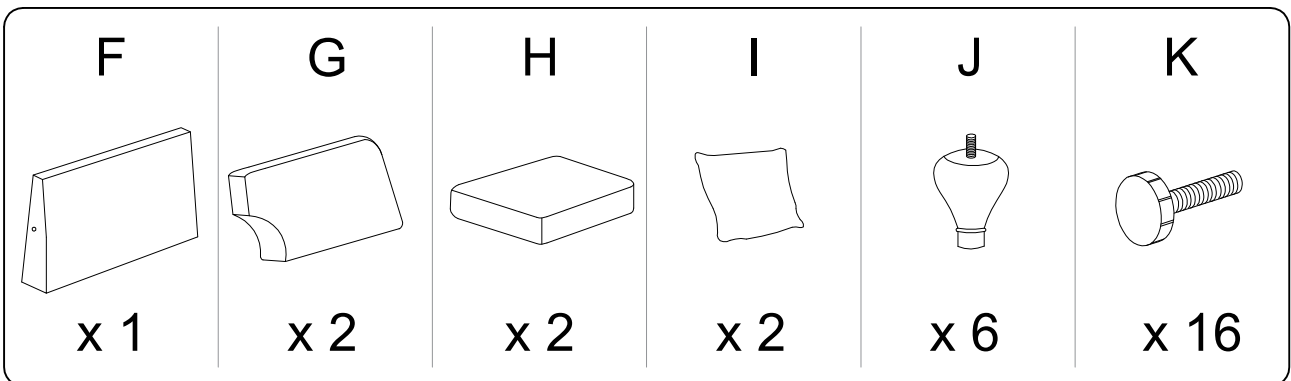
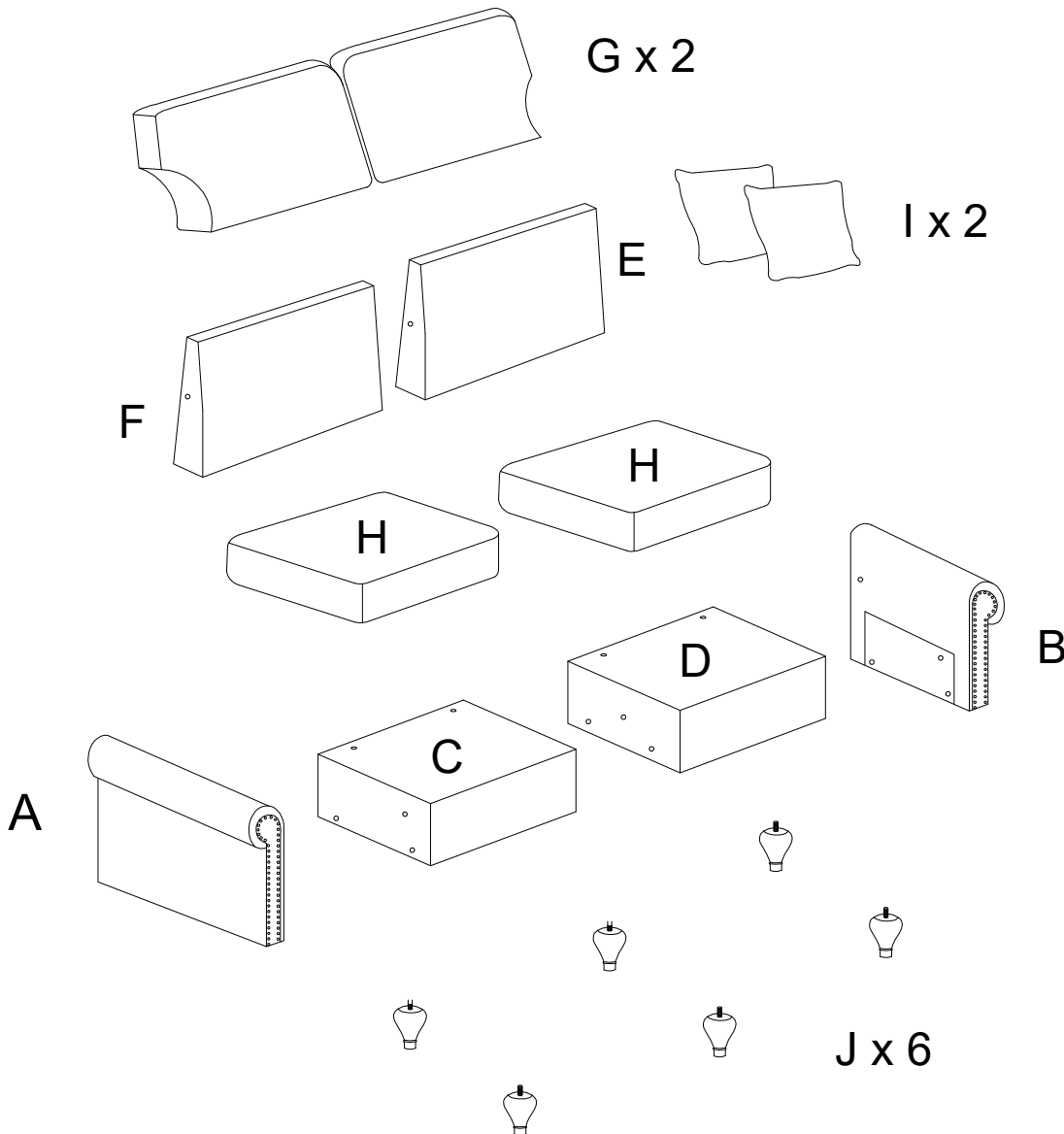
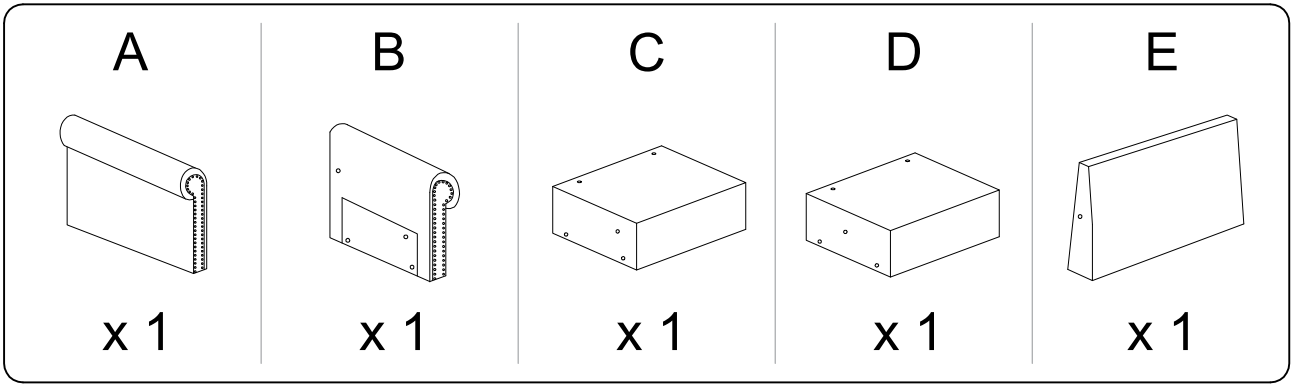


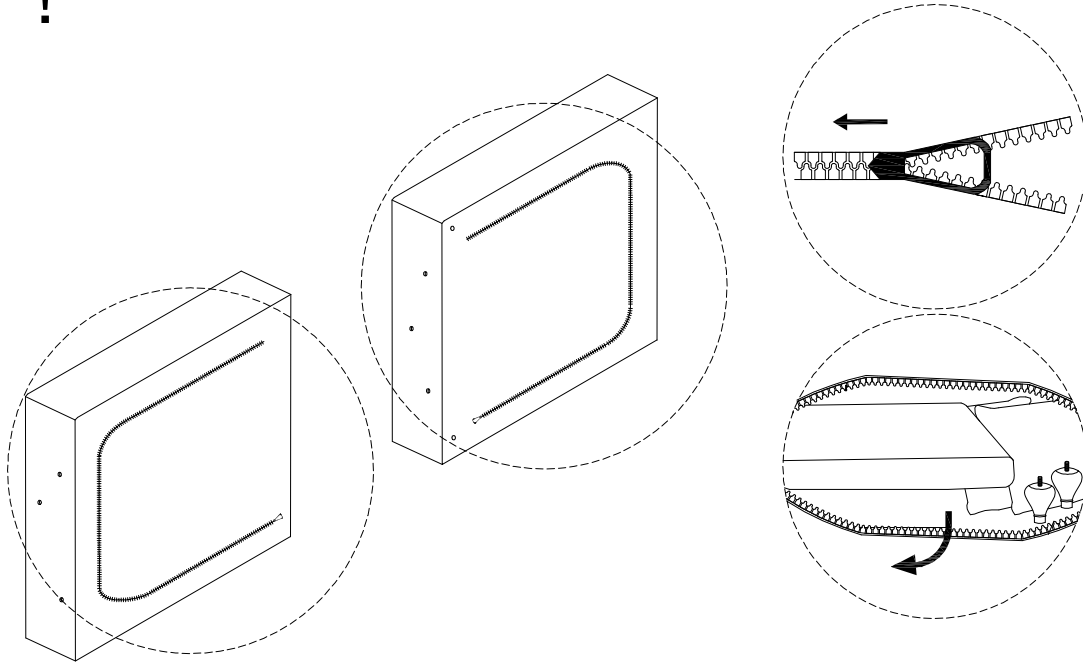
30'



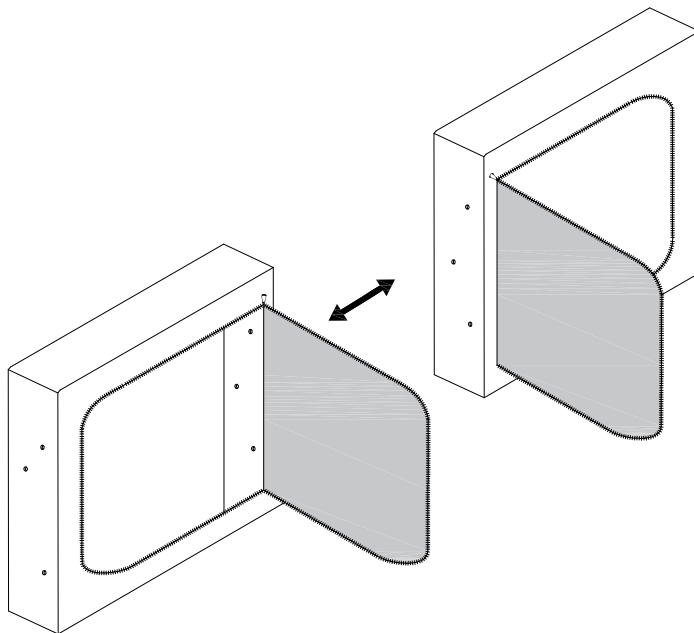
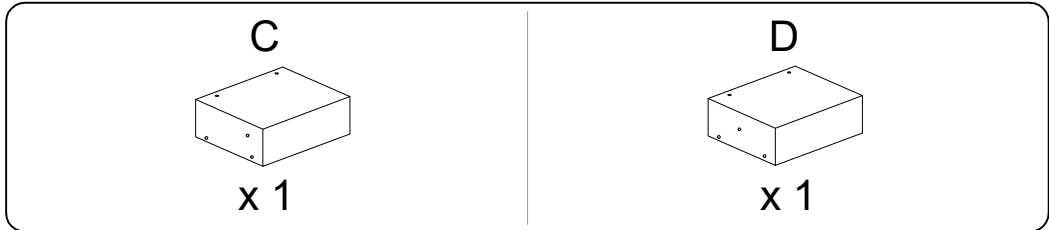
2



!

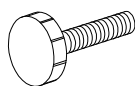


1

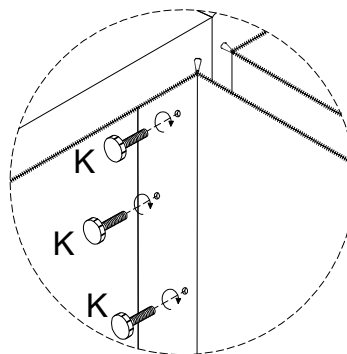
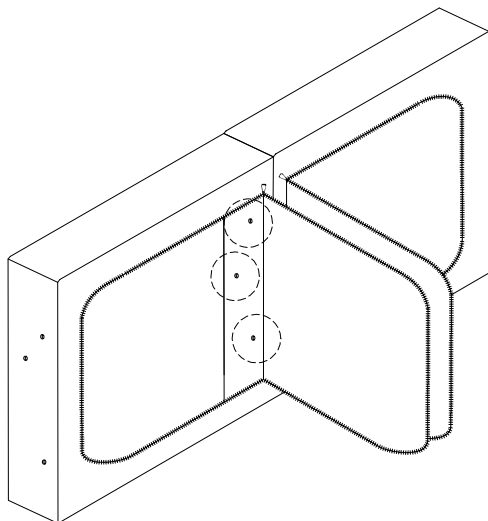


2

K

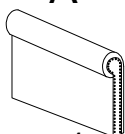


x 3



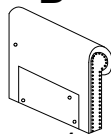
3

A



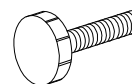
x 1

B

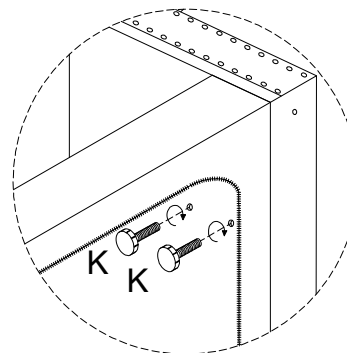
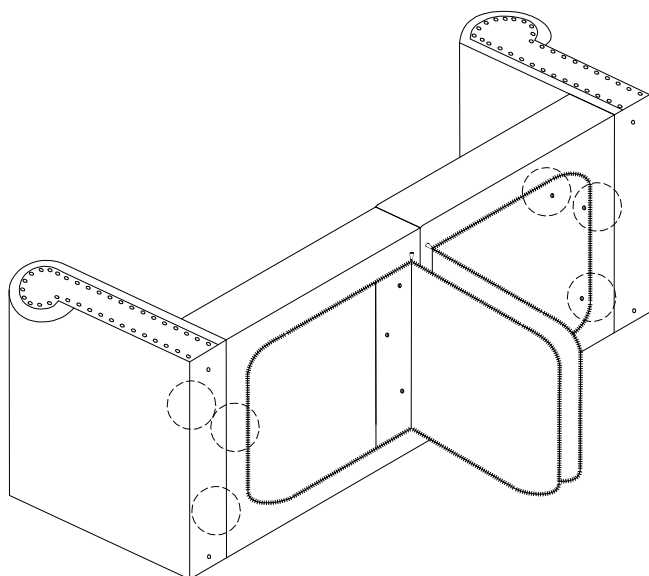


x 1

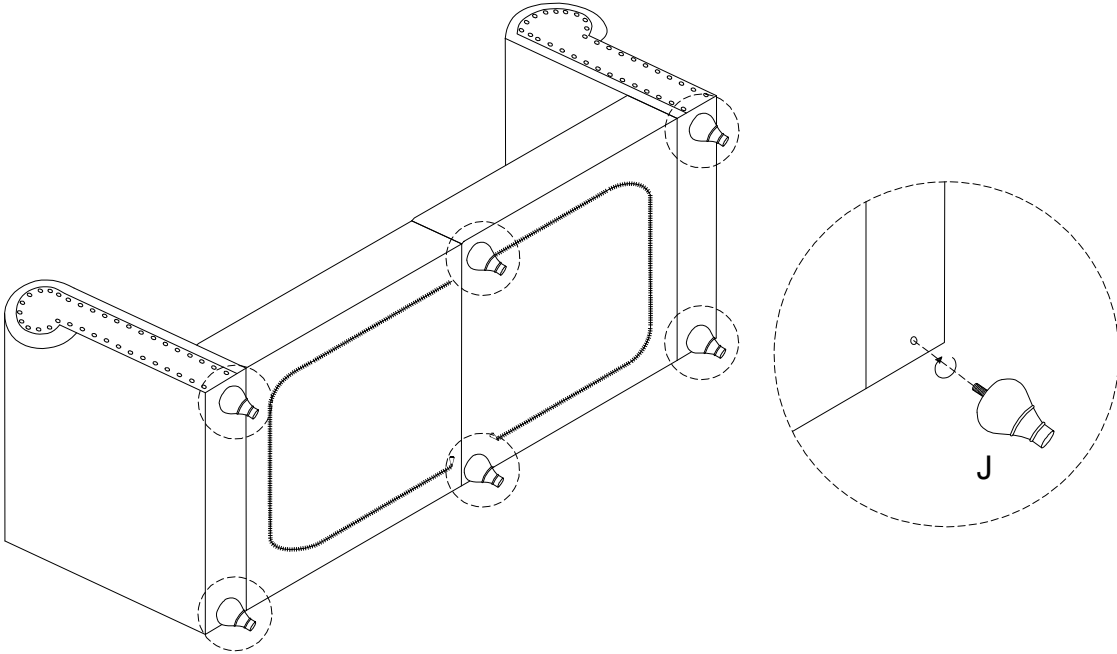
K



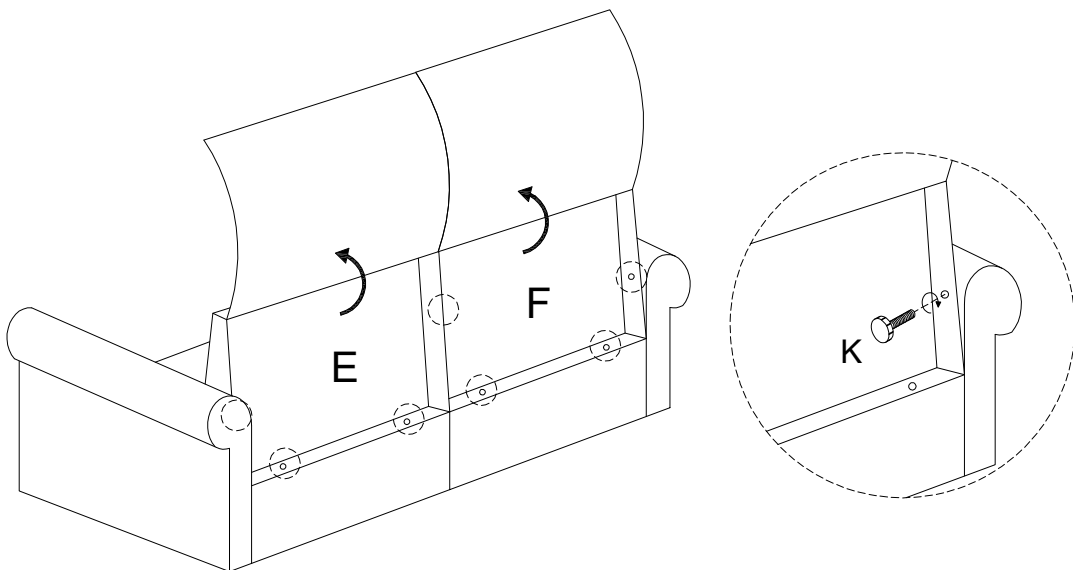
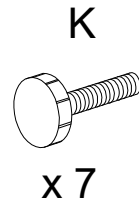
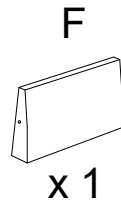
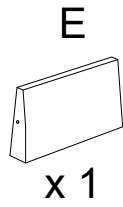
x 6



4

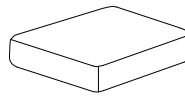


5

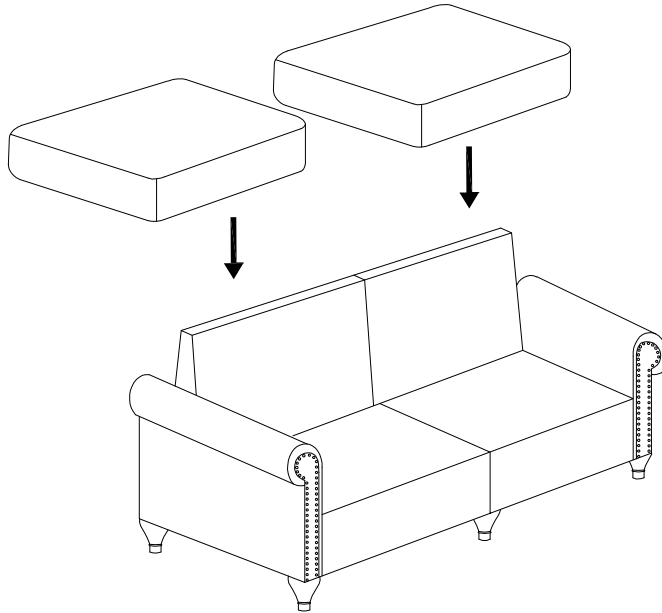


6

H

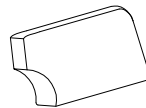


x 2

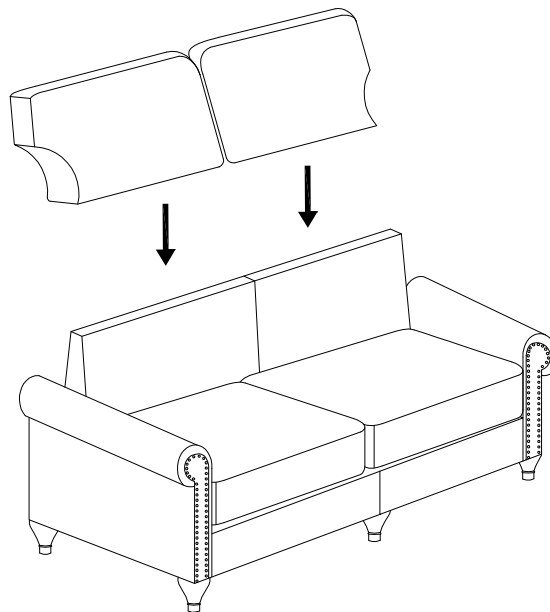


7

G



x 2



8

