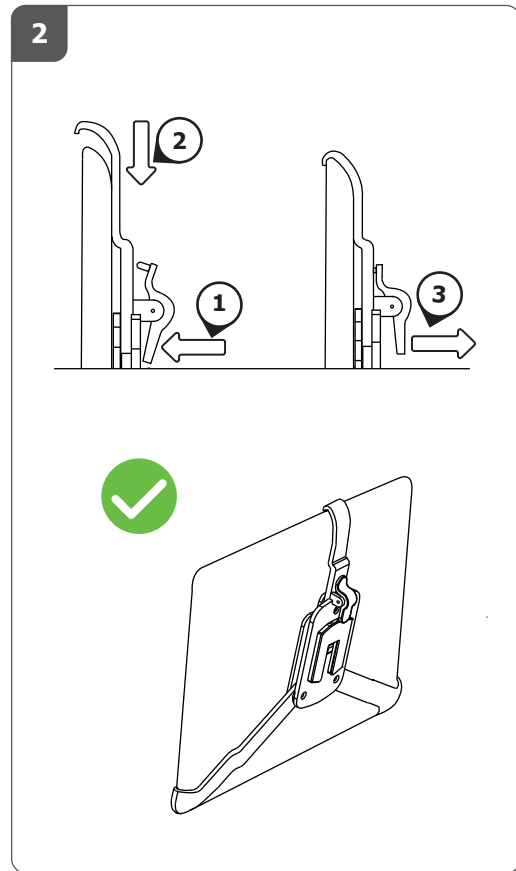
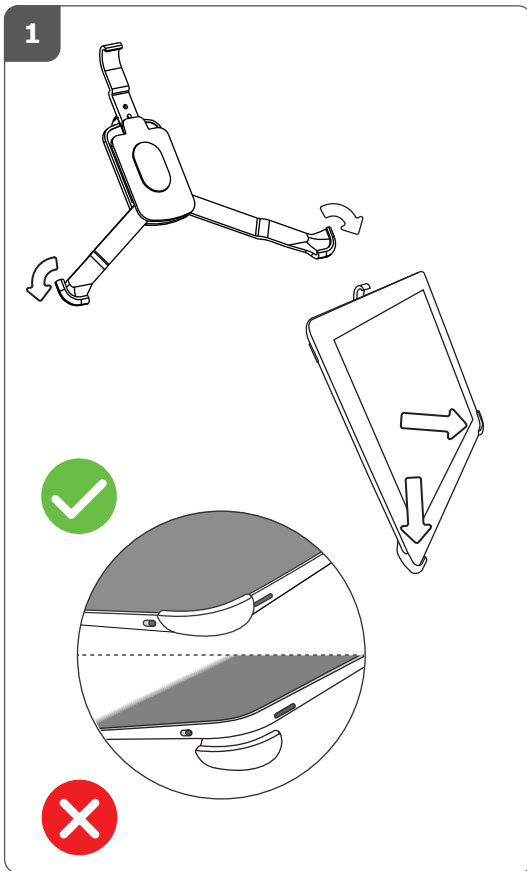


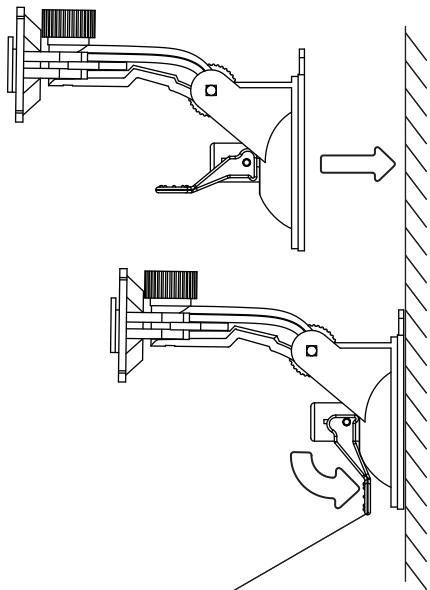


Quick Installation Guide

Car Holder for iPad mini

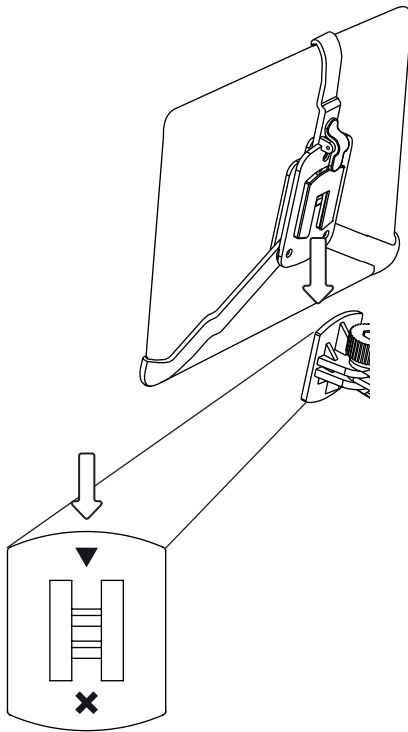


3



! BOTTOM FRONT !

4



Frequently asked questions

www.trust.com/19151/faq