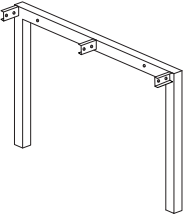
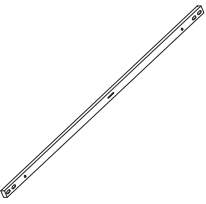
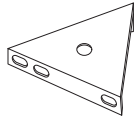
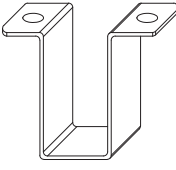
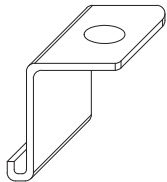
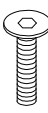
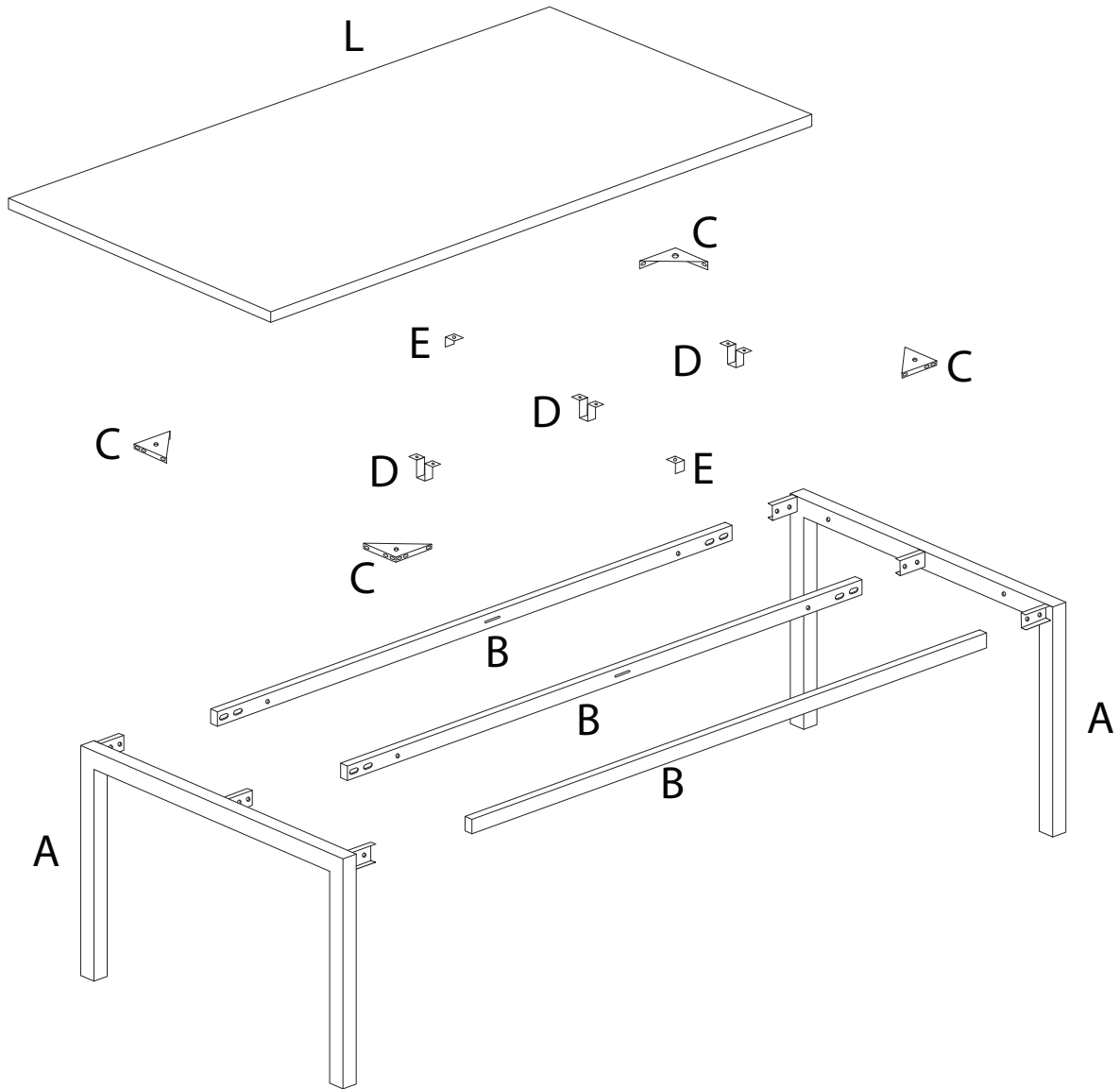



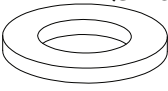
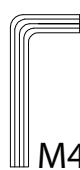
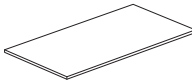


Diagram illustrating assembly instructions and safety warnings:

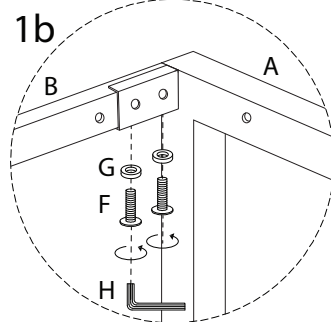
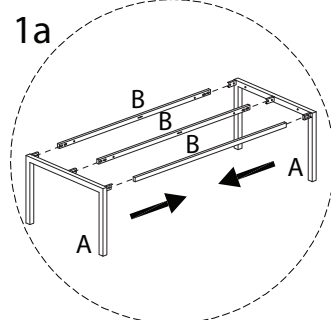
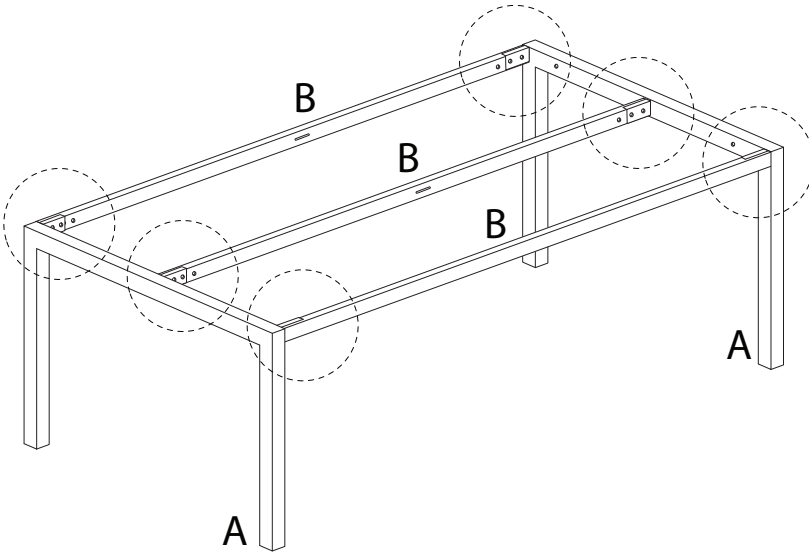
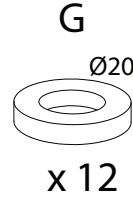
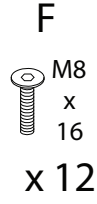
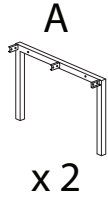
- Warning 1:** A warning triangle with an exclamation mark is positioned above a box containing an L-shaped metal bracket and a crossed-out power drill icon, indicating that a power drill should not be used for this step.
- Warning 2:** A second warning triangle with an exclamation mark is positioned above a box containing a rectangular block being placed on a surface and a crossed-out icon of a block being lifted, indicating a lifting or placement warning.
- Time:** A clock icon is shown next to the text "20'", indicating a 20-minute assembly time.
- Personnel:** An icon of a person is shown next to the number "2", indicating that two people are required for assembly.

<b>A</b>	<b>B</b>	<b>C</b>	<b>D</b>	<b>E</b>	<b>F</b>
					
<b>x 2</b>	<b>x 3</b>	<b>x 4</b>	<b>x 3</b>	<b>x 2</b>	<b>M8 x 16  x 28</b>

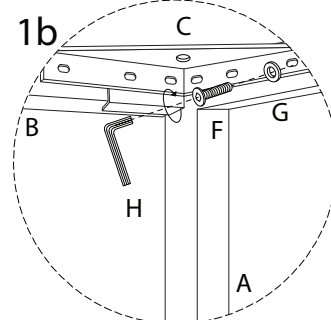
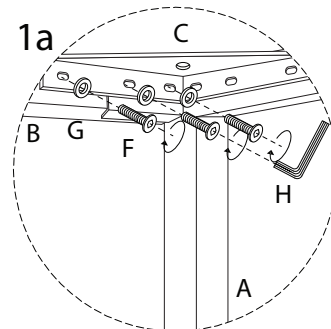
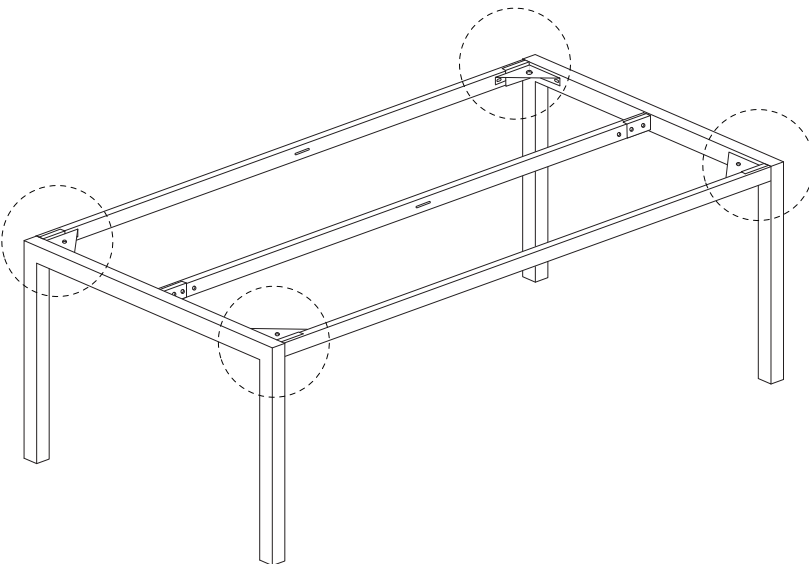
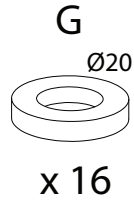
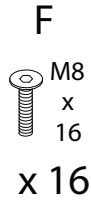
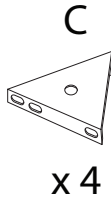


<b>G</b>	<b>H</b>	<b>I</b>	<b>J</b>	<b>K</b>	<b>L</b>
					
<b>Ø20  x 28</b>	<b>M6  x 1</b>	<b>M6 x 8  x 12</b>	<b>Ø20  x 12</b>	<b>M4  x 1</b>	<b>x 1</b>

1



2



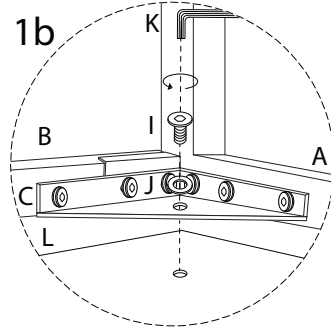
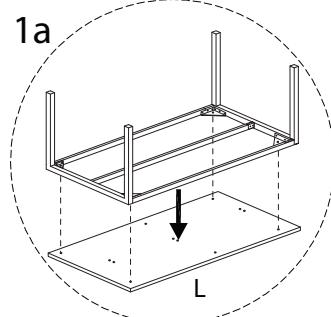
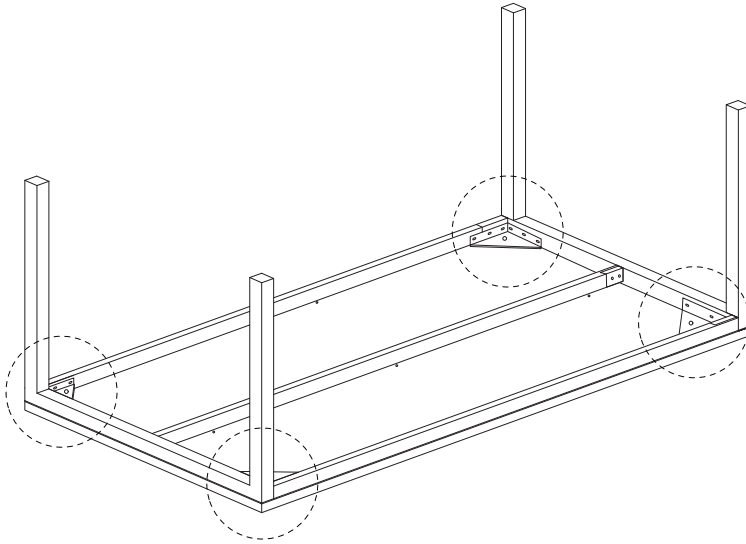
3

I  
M6  
x 8  
x 4

J  
Ø20  
x 4

K  
M4  
x 1

L  
x 1



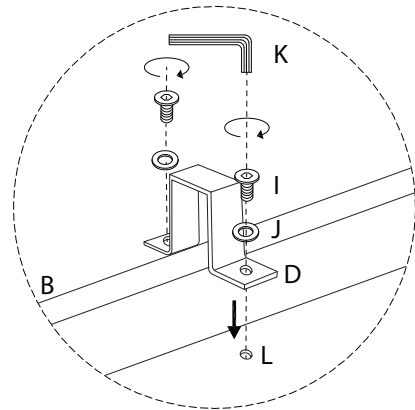
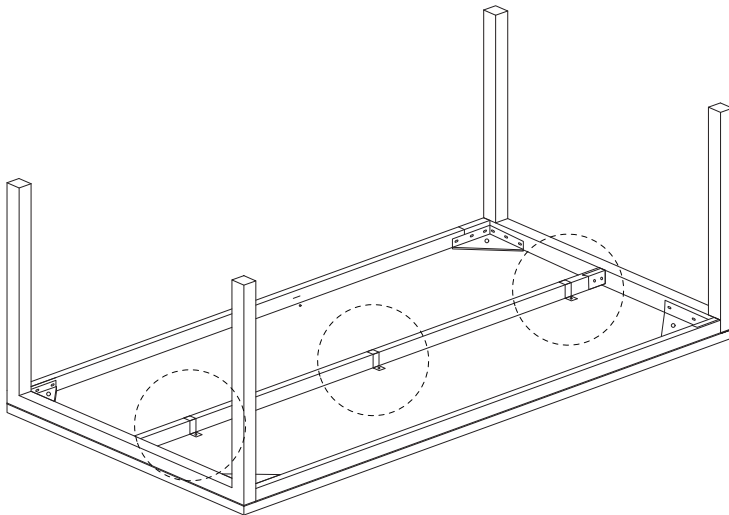
4

D  
x 3

I  
M6  
x 8  
x 6

J  
Ø20  
x 6

K  
M4  
x 1



5

