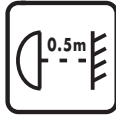
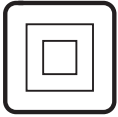
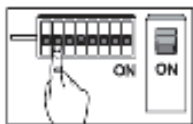
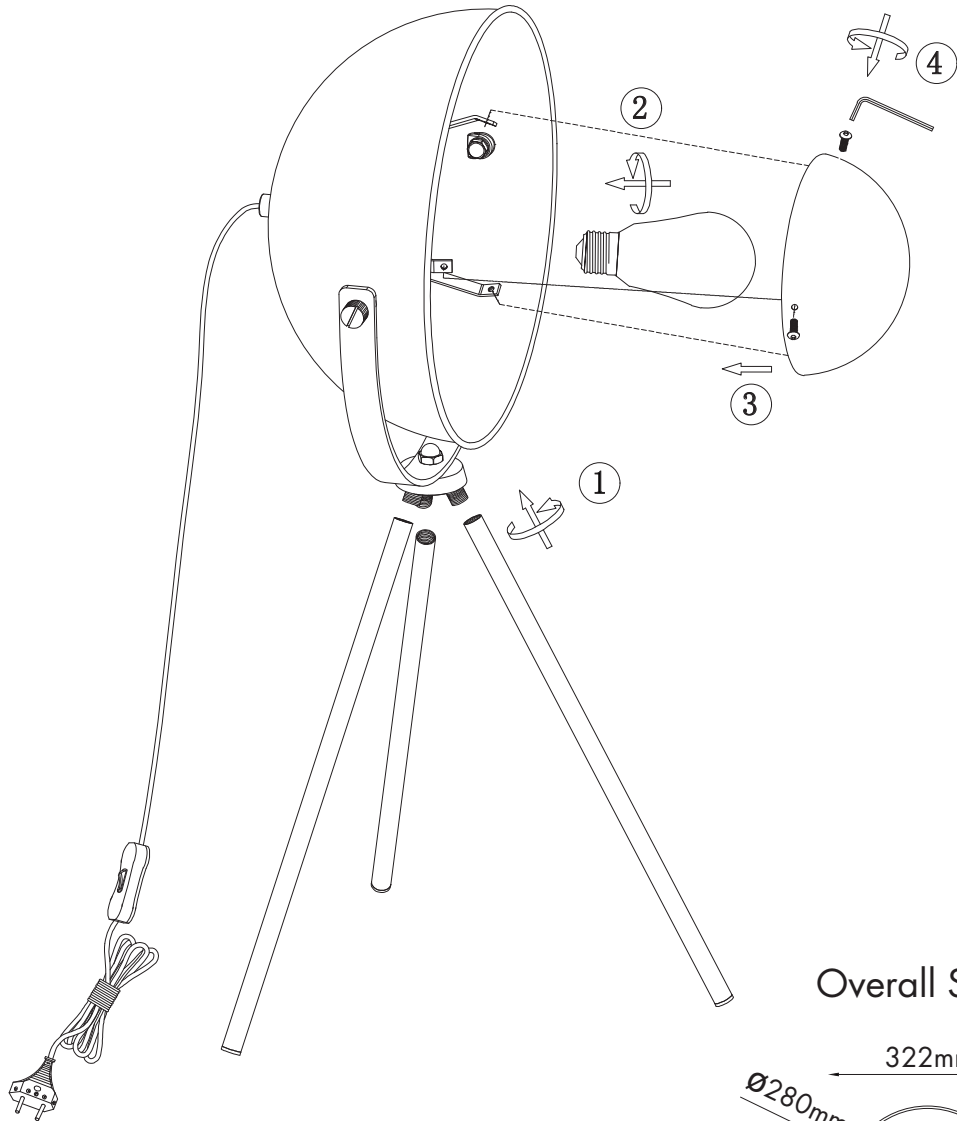


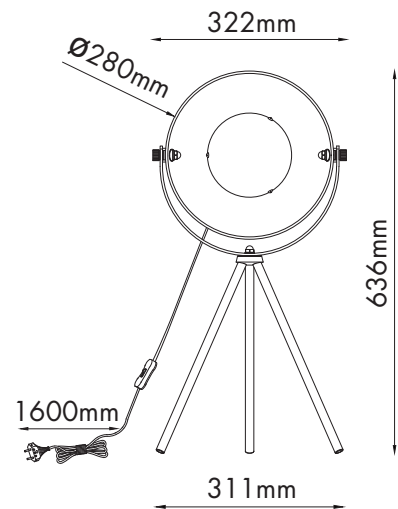
# INSTRUCTION MANUAL



## Magnax TL28 Black and Gold Adjustable 102511



Overall Sizes:



QAZQA

**FittinQ B.V.**

Smaragdweg 52, 5527 LB Hapert, The Netherlands  
www.qazqa.nl