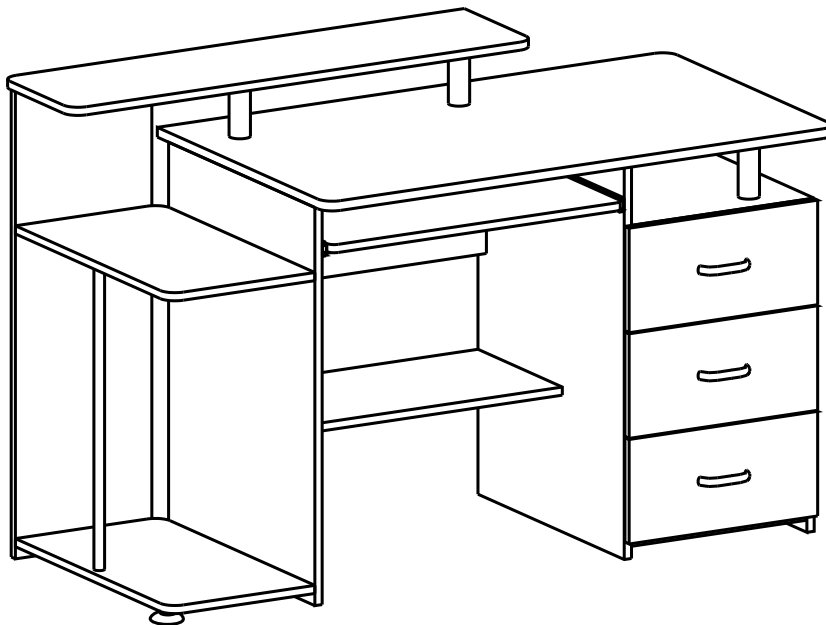


English

COMPUTER TABLE

ASSEMBLY INSTRUCTION

Thanks for purchasing one of our products, please read carefully the assembly instructions before the installation (Attention: Do not tighten the screws before all screws are in place).



MODEL 673951

General Care:

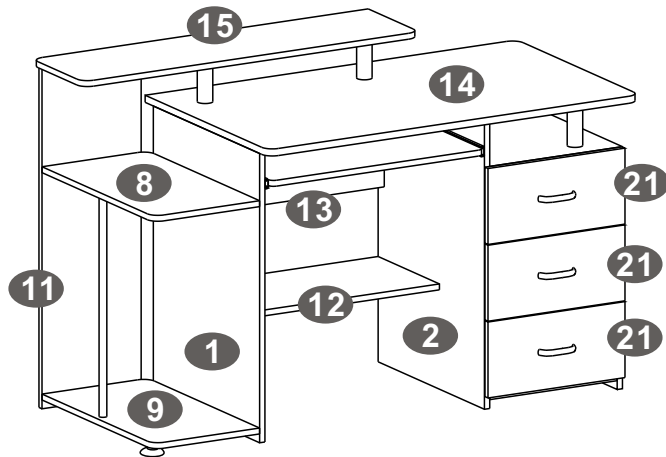
-Keep your furniture out direct sunlight-Use desk pads and coasters to protect the surface from dents,scratches,and moisture from hot or cold liquids.



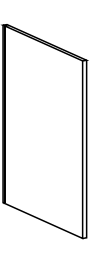










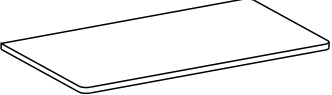

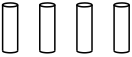
Cleaning:

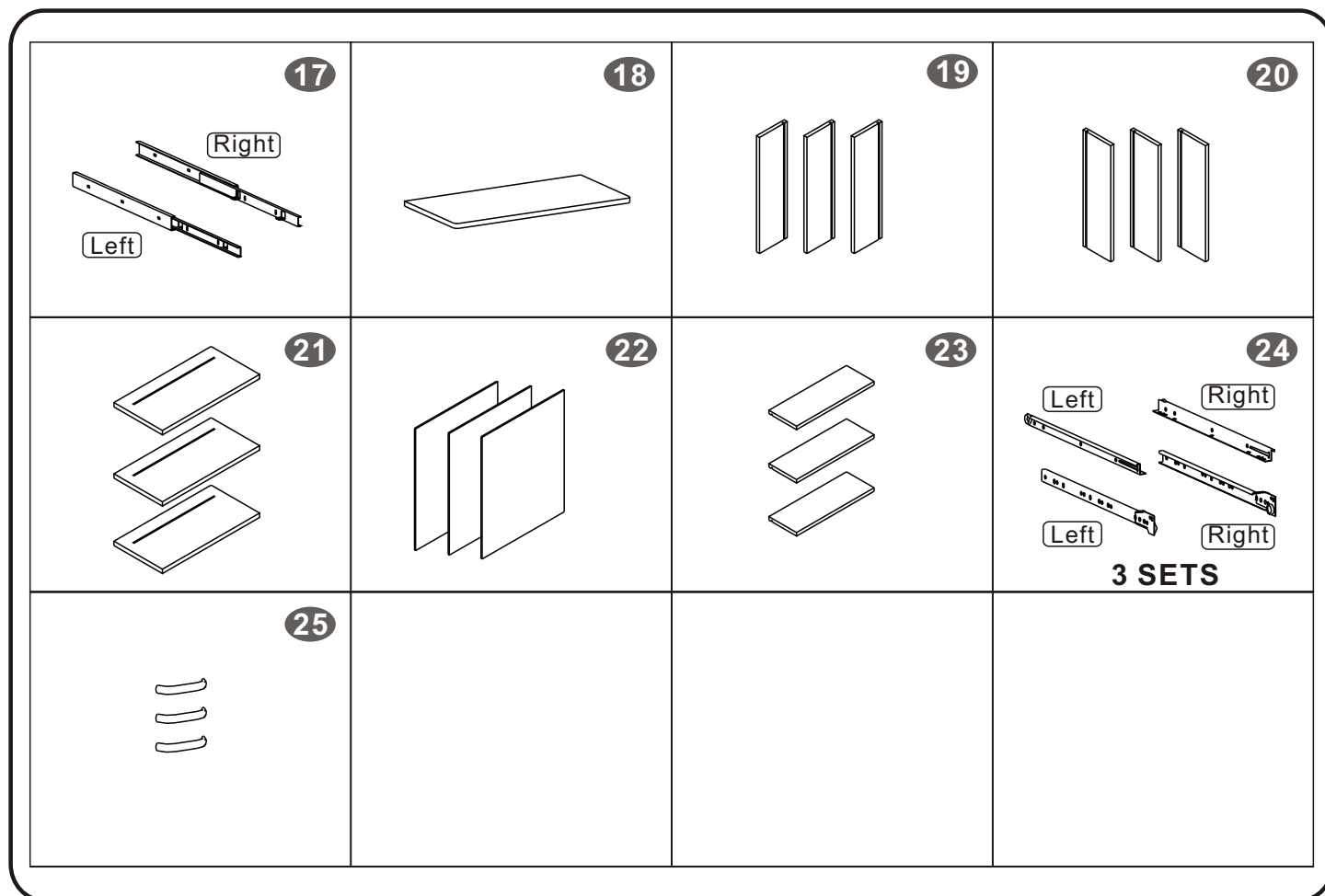
-For cleaning, wipe the surface with a damp (not wet) cloth or wipe dry with a clean lint free cotton cloth.
-Window cleaning liquid or a similar cleaning liquid can be used to clean glass surface.



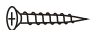
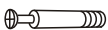

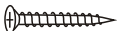





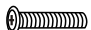
▪PARTS LIST



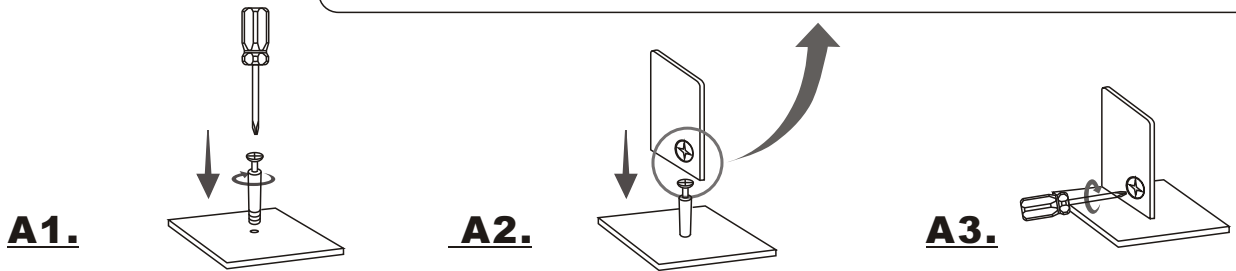
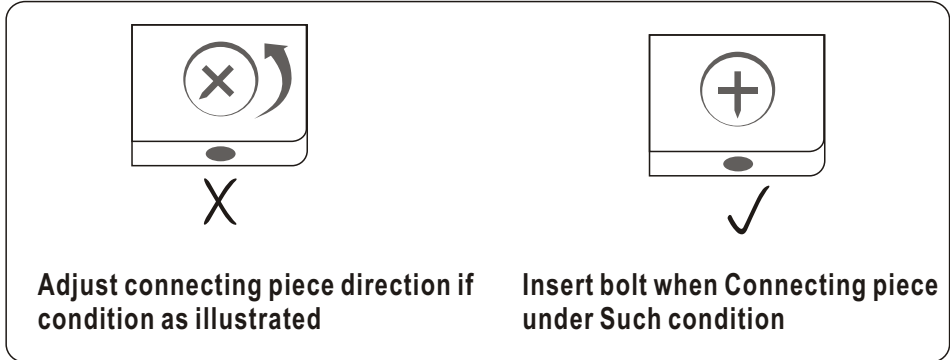
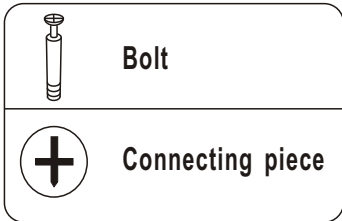
 1	 2	 3	 4
 5	 6	 7	 8
 9	 10	 11	 12
 13	 14	 15	 16



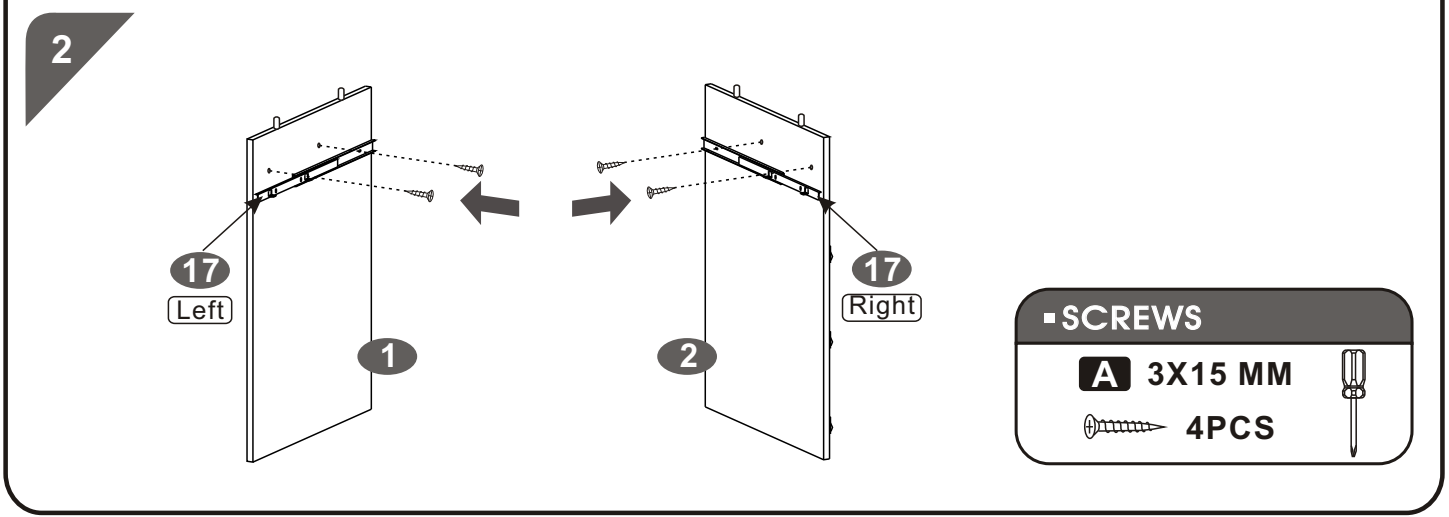
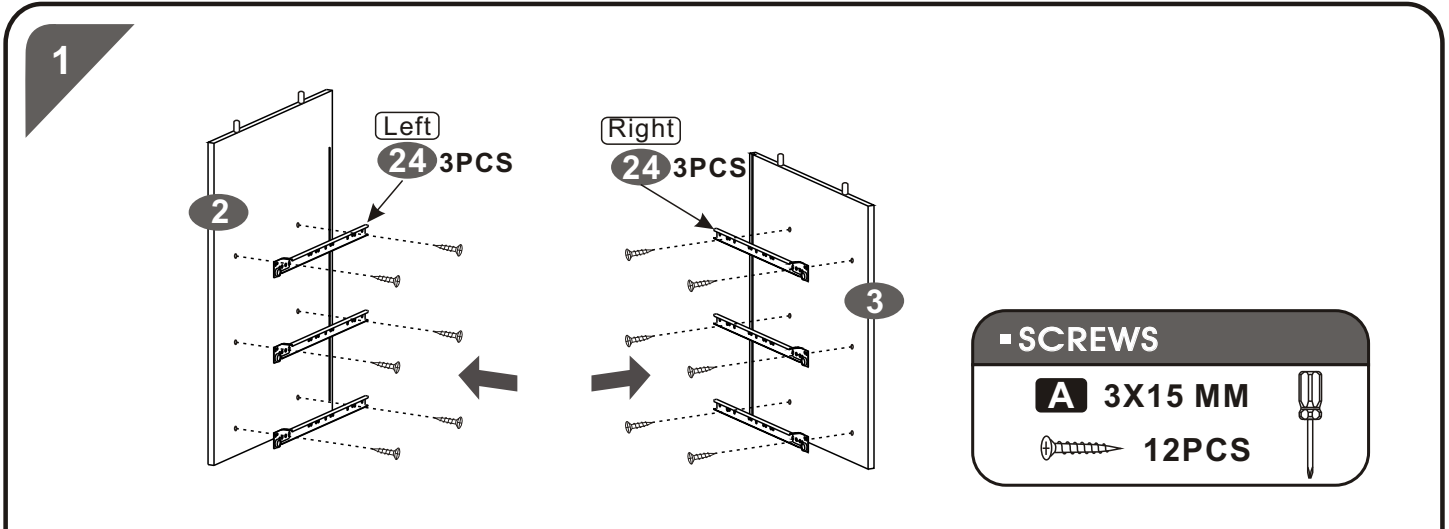
▪ SCREWS LIST

PART	QTY.	ITEM		PART	QTY.	ITEM	
A	28	3X15 MM		G	12	6X25 MM	
B	30	6X40 MM		H	12	4X30 MM	
C	6	4X14 MM		I	4		
D	5	6X35 MM			1		
E	4	6X40 MM					
F	6	4X20 MM					

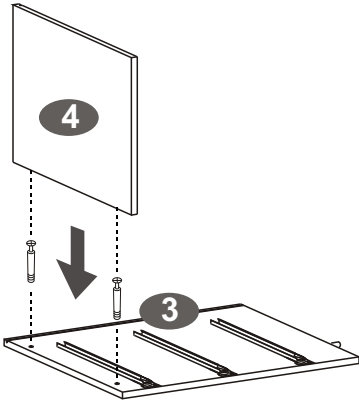
6X40MM BOLT INSTALLATION AS BELOW:



ASSEMBLY STEPS:



3



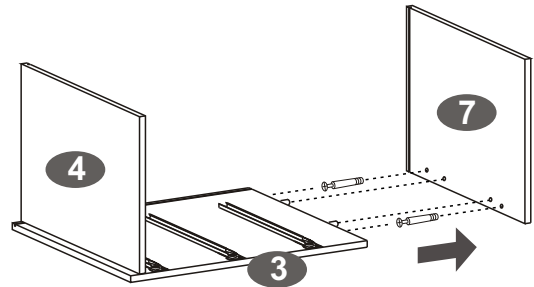
■ SCREWS

B 6X40 MM

2PCS



4



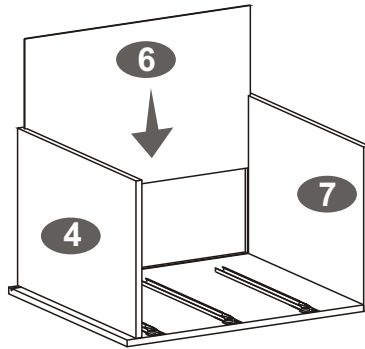
■ SCREWS

B 6X40 MM

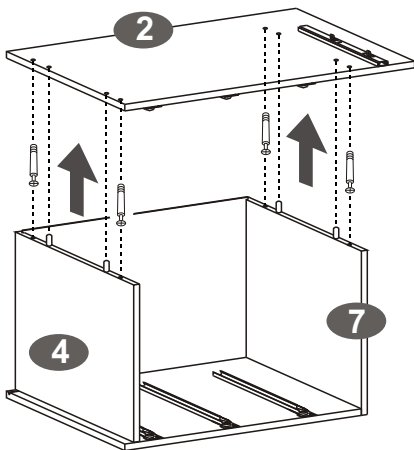
2PCS



5



6



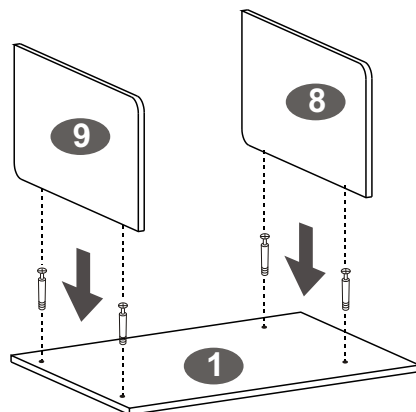
■ SCREWS

B 6X40 MM

4PCS



7



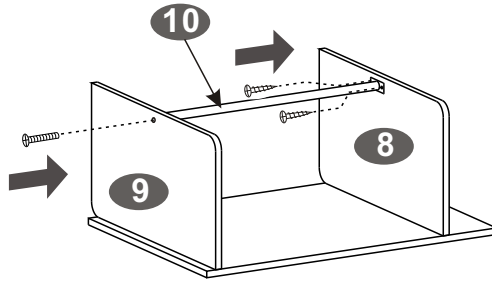
■ SCREWS

B 6X40 MM

4PCS



8



■ SCREWS

C 4X14 MM

2PCS

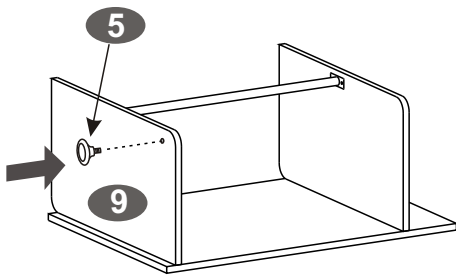


D 6X35 MM

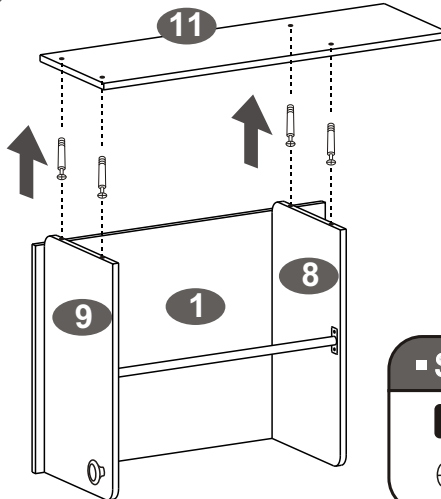
1PC



9



10



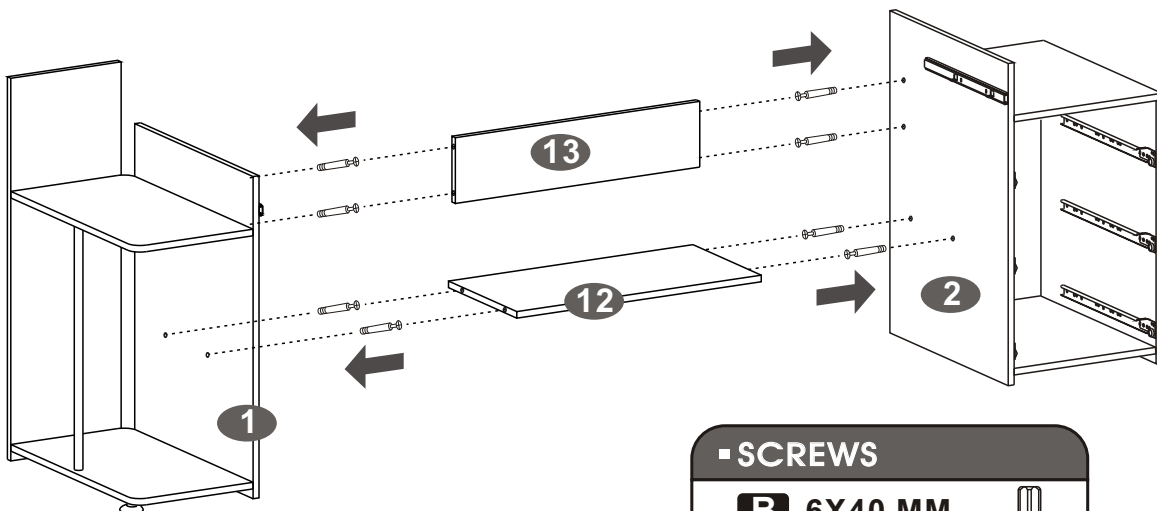
■ SCREWS

B 6X40 MM

4PCS



11



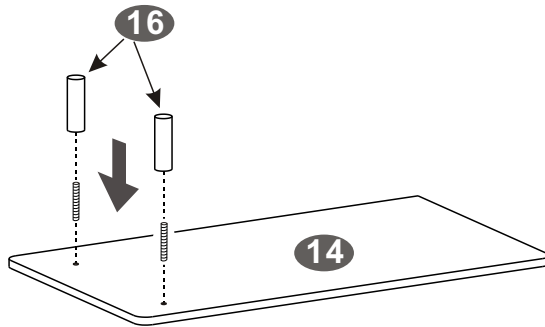
■ SCREWS

B 6X40 MM

8PCS

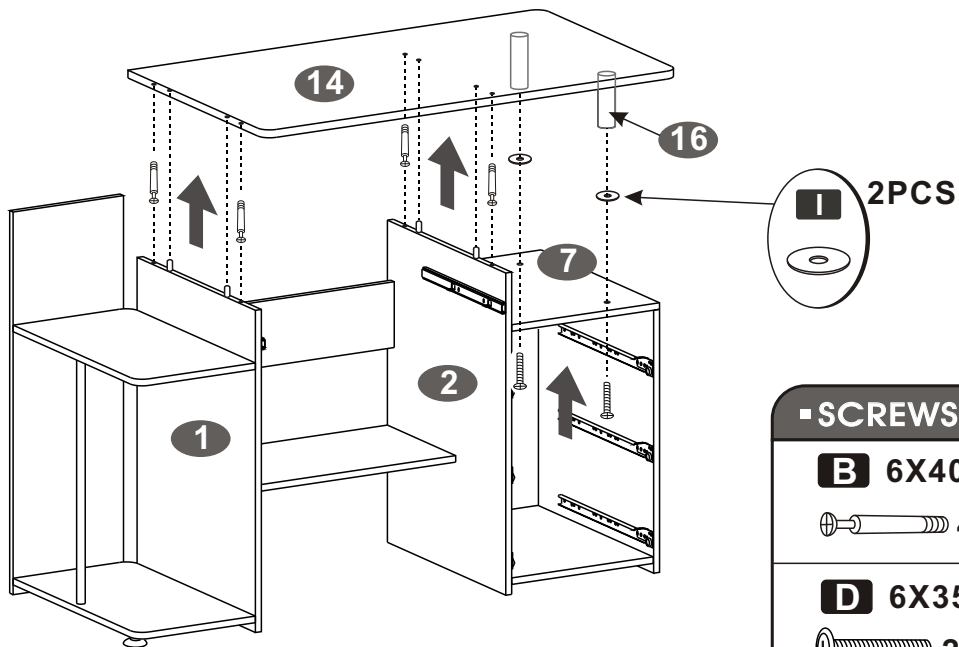


12


■ SCREWS
E 6X40 MM


 2PCS

13

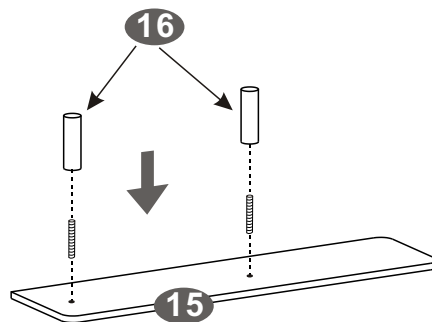

■ SCREWS
B 6X40 MM

 4PCS

D 6X35 MM

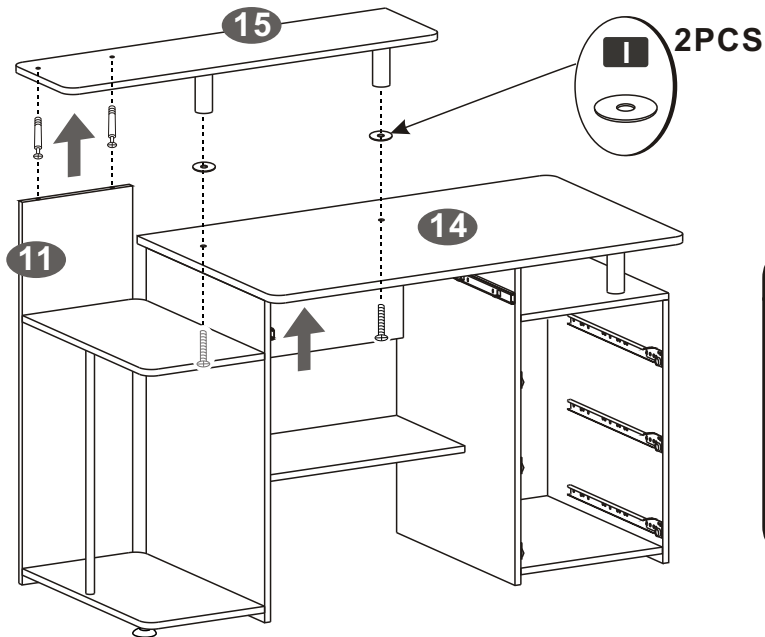
 2PCS

14


■ SCREWS
E 6X40 MM

 2PCS

15



- SCREWS

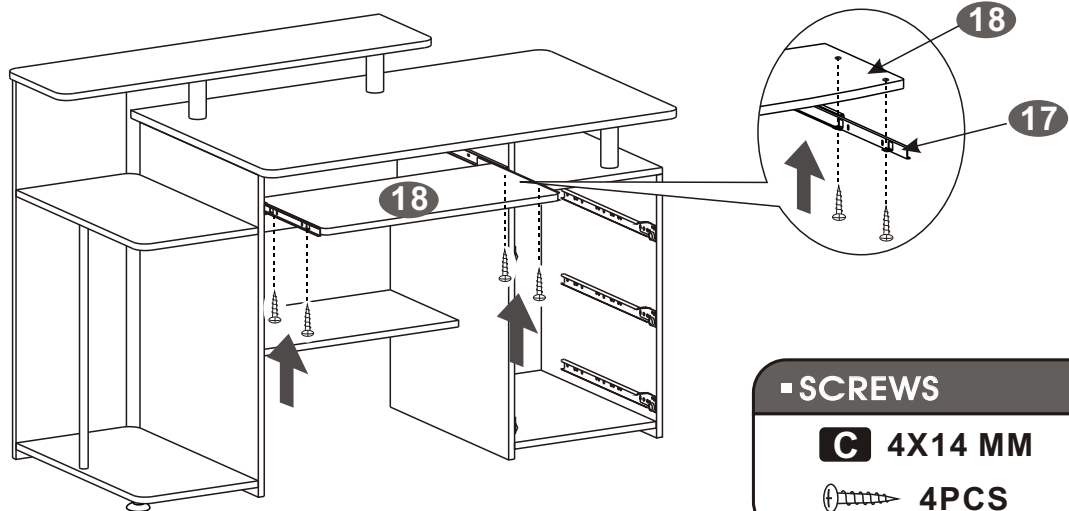
B 6X40 MM

2PCS

D 6X35 MM

2PCS

16

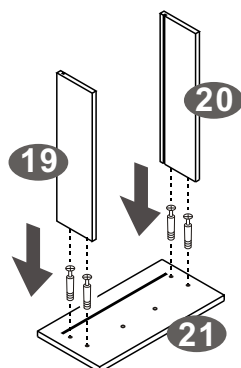


- SCREWS

C 4X14 MM

4PCS

17

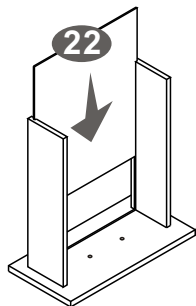


- SCREWS

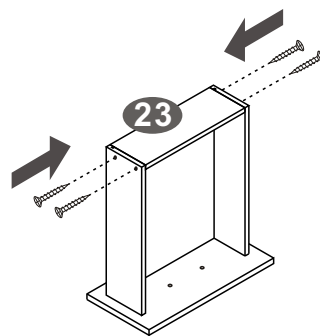
G 6X25 MM

4PCS

18



19



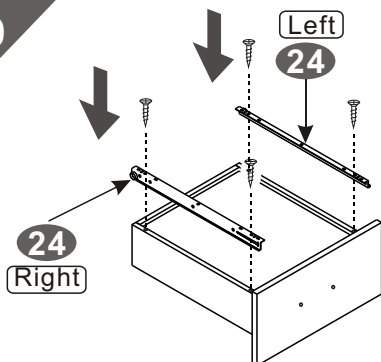
■ SCREWS

H 4X30 MM

4PCS



20



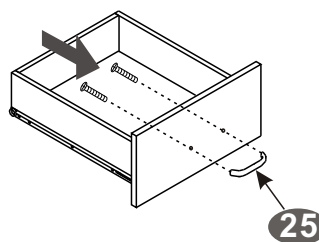
■ SCREWS

A 3X15 MM

4PCS



21



■ SCREWS

F 4X20 MM

2PCS



Repeat step 18 to step 21 to install other drawers

22

