
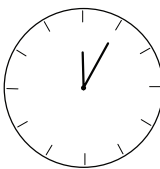

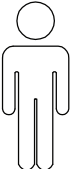
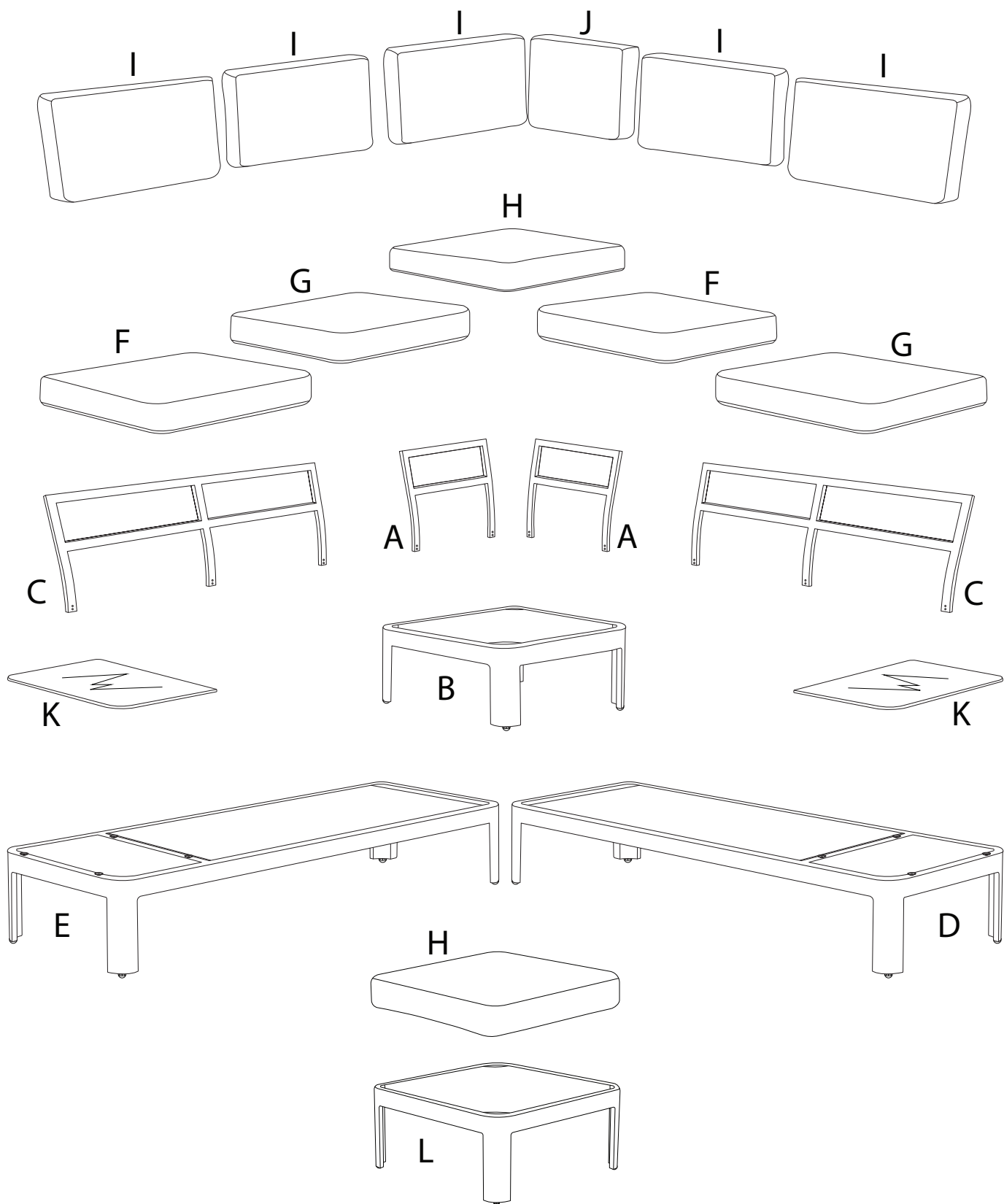
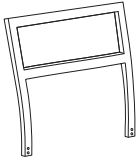
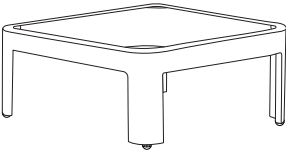
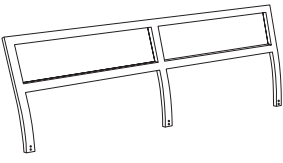
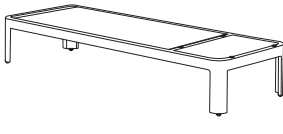
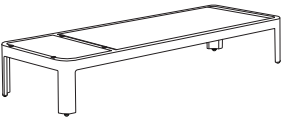



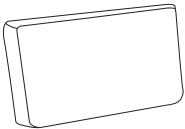
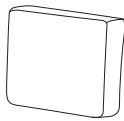

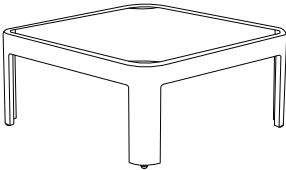

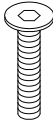
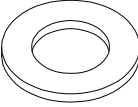



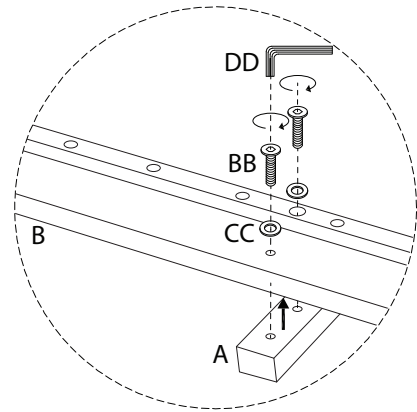
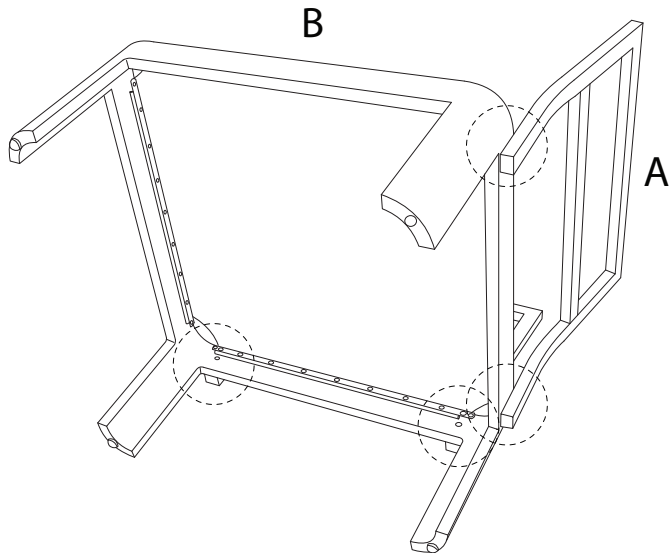
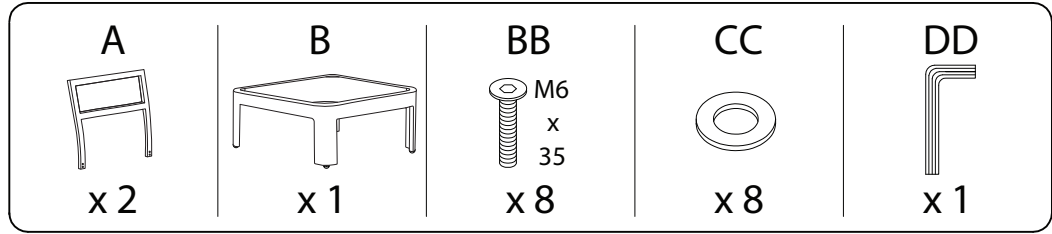
Assembly instructions for step 1/8:

- Warning 1:** Do not use a power drill on the corner bracket. 
- Time:** 5' 
- Warning 2:** Do not use a power drill on the foam cushion. 
- Personnel:** 1 

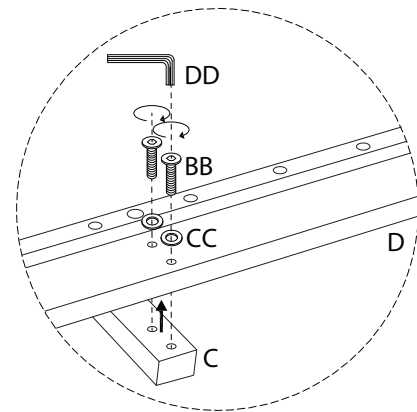
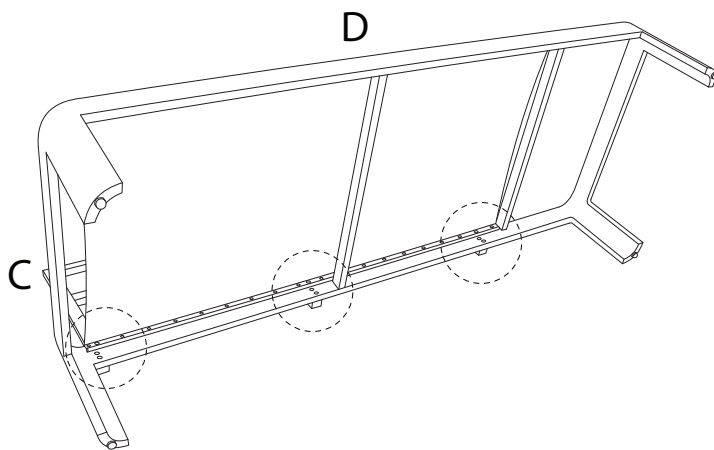
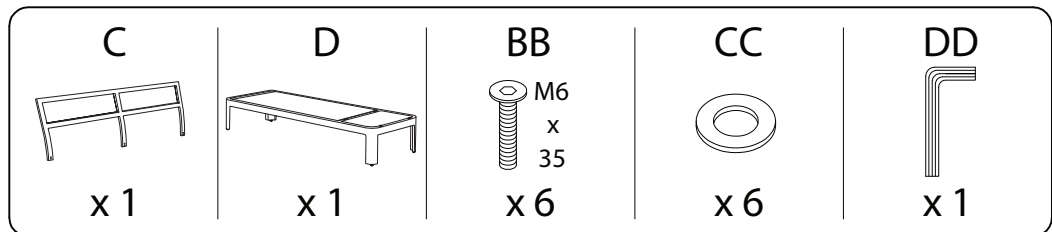


<p>A</p>  <p>x 2</p>	<p>B</p>  <p>x 1</p>	<p>C</p>  <p>x 2</p>	<p>D</p>  <p>x 1</p>
<p>E</p>  <p>x 1</p>	<p>F</p>  <p>x 2</p>	<p>G</p>  <p>x 2</p>	<p>H</p>  <p>x 2</p>
<p>I</p>  <p>x 5</p>	<p>J</p>  <p>x 1</p>	<p>K</p>  <p>x 2</p>	<p>L</p>  <p>x 1</p>
<p>AA</p>  <p>x 20</p>	<p>BB</p>  <p>M6 x 35</p> <p>x 20</p>	<p>CC</p>  <p>x 20</p>	<p>DD</p>  <p>x 1</p>

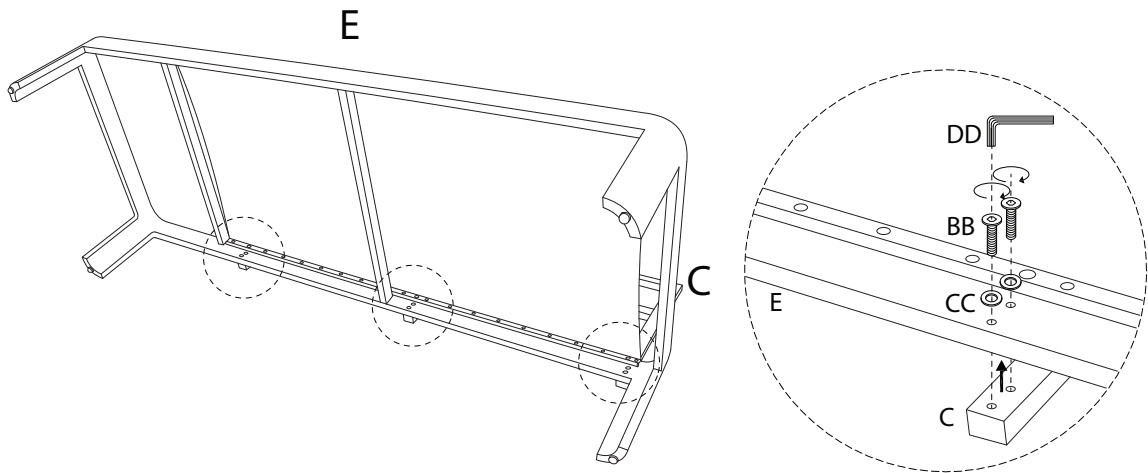
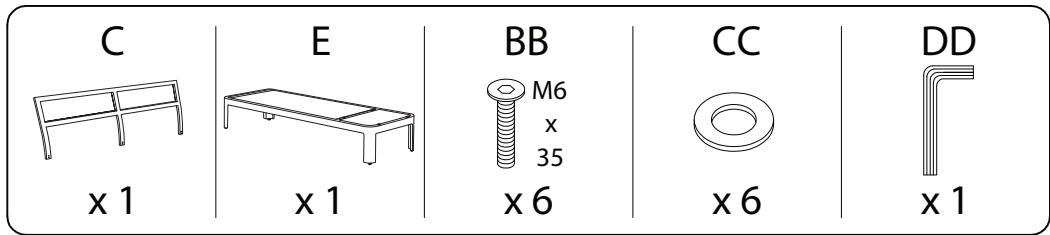
1



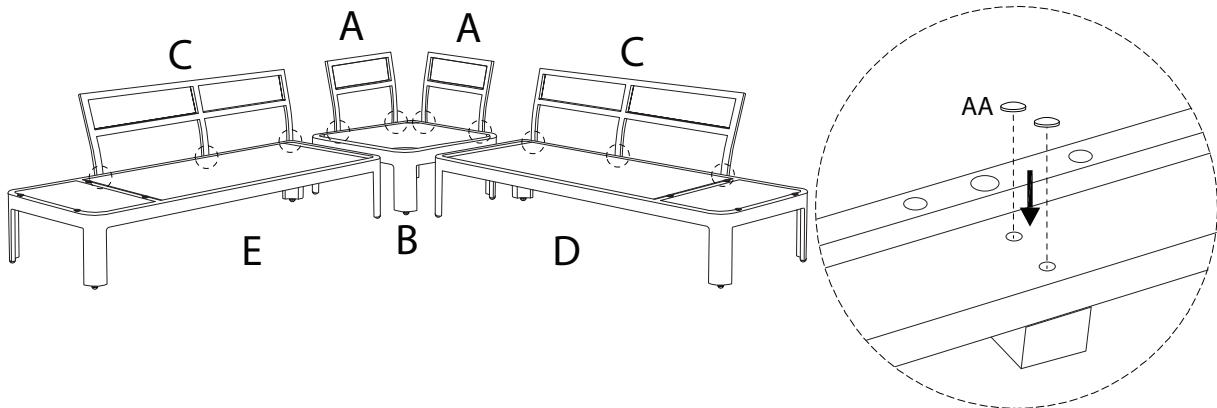
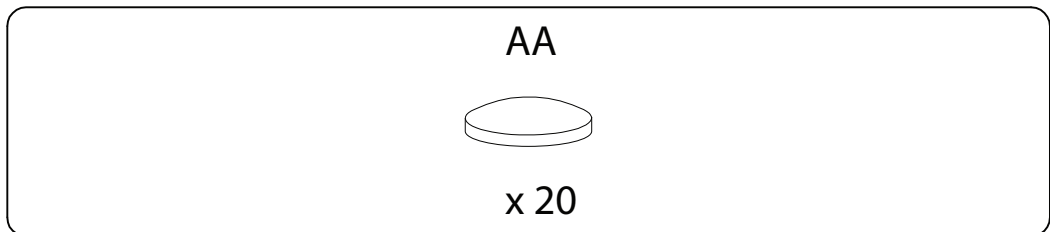
2



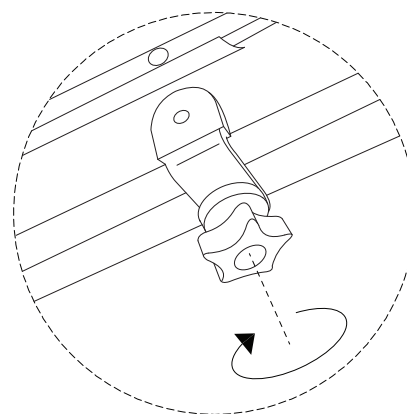
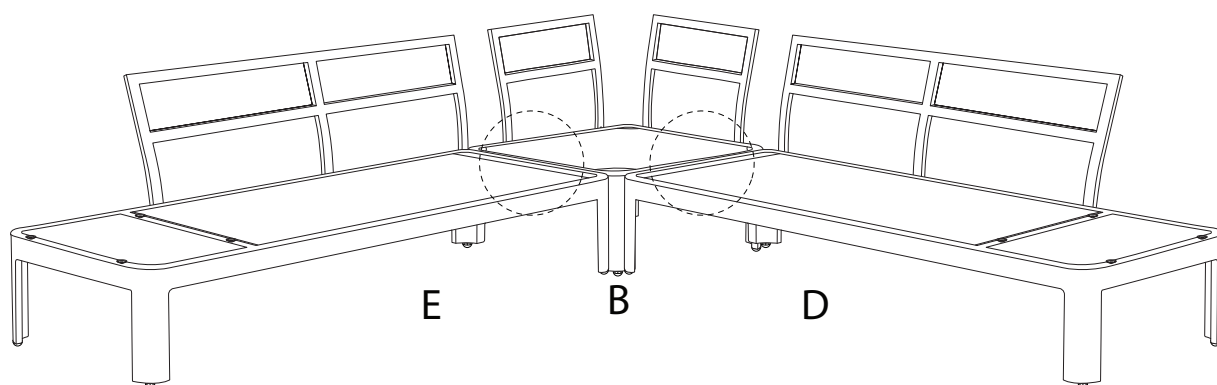
3



4



5

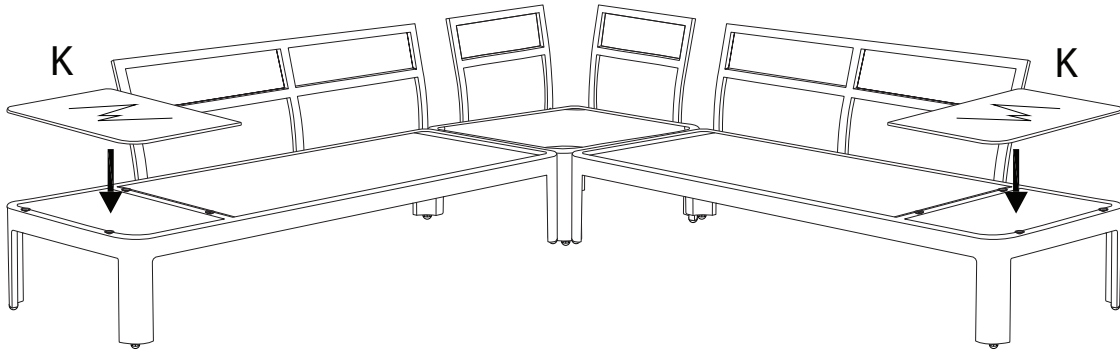


6

K

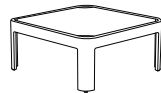


x 2

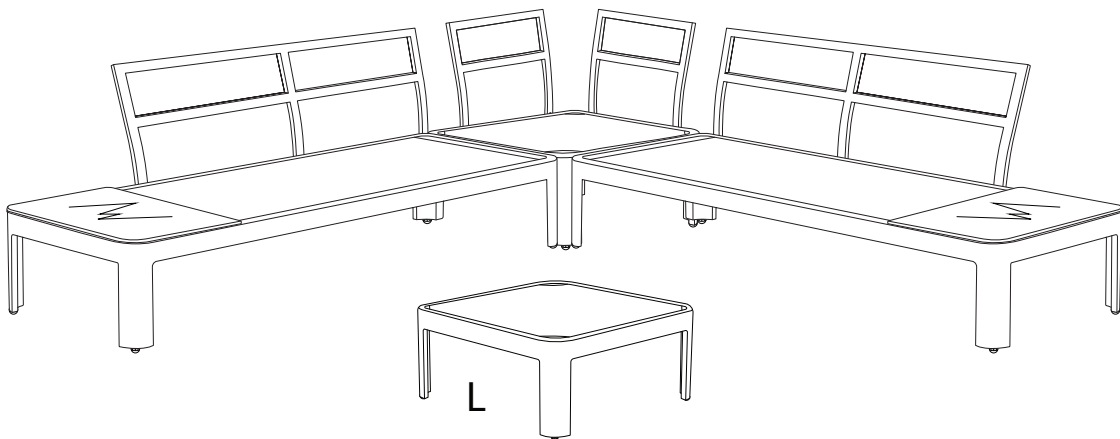


7

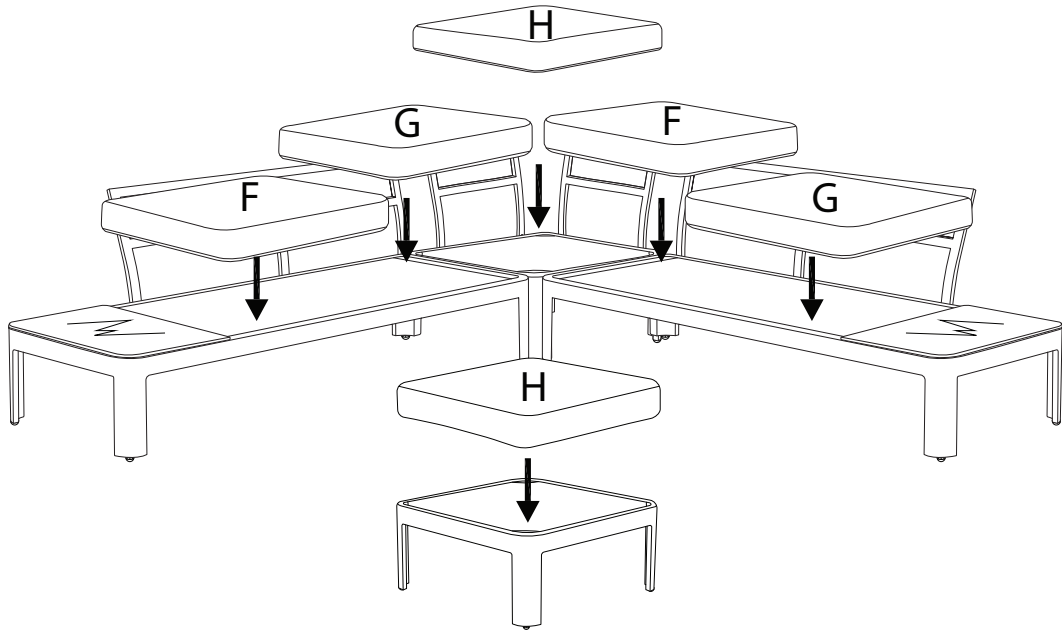
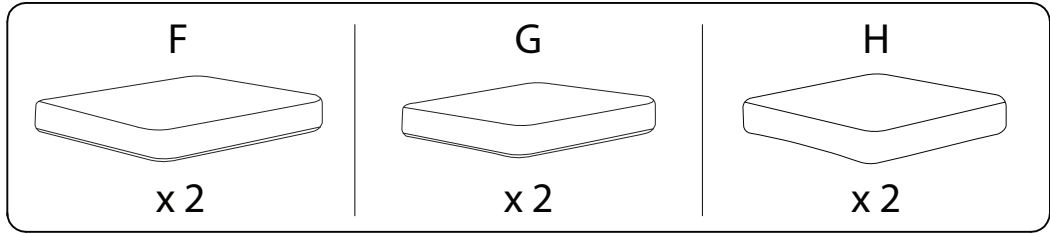
L



x 1



8



9

