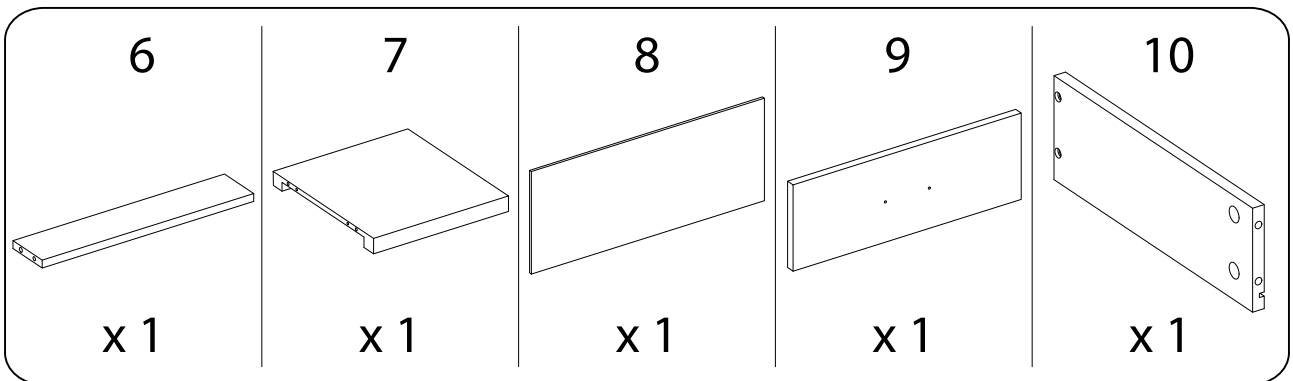
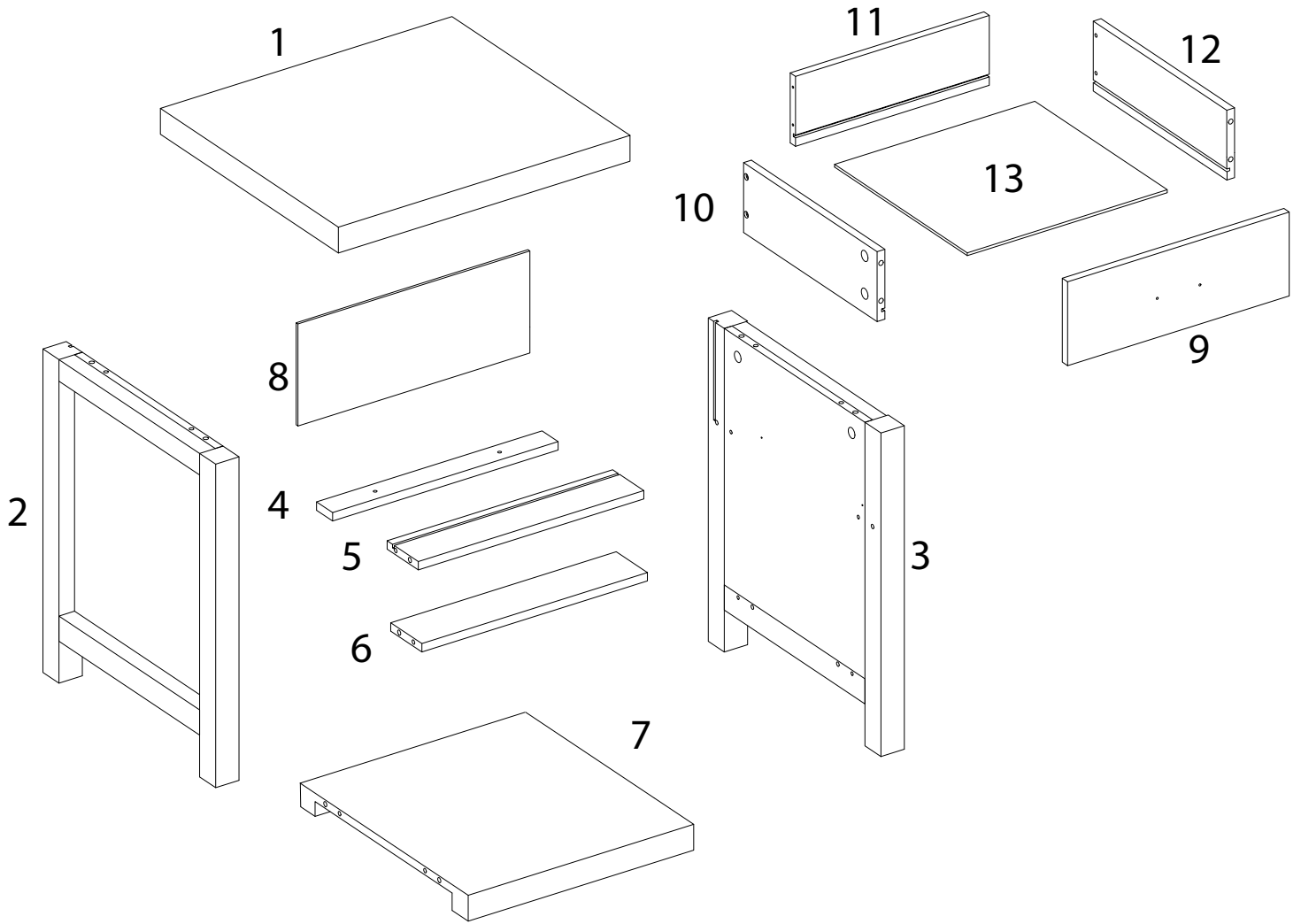
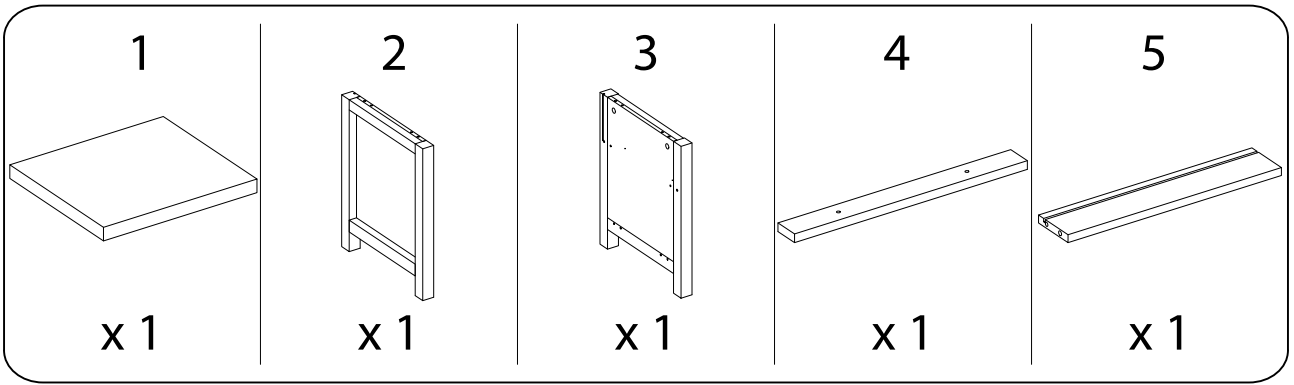
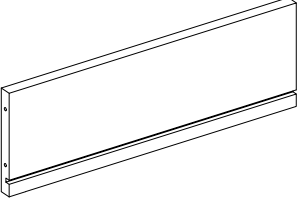
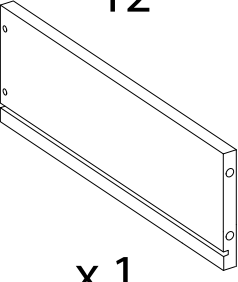
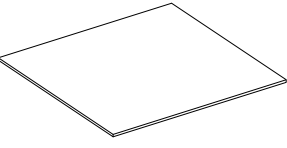
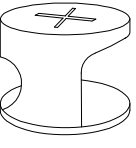
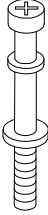
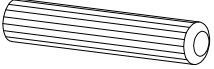
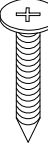
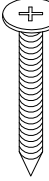
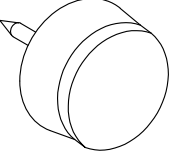
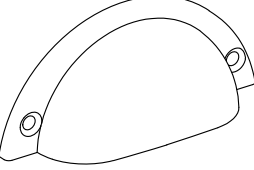
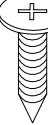
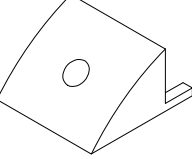
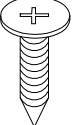
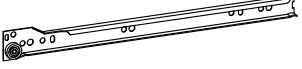
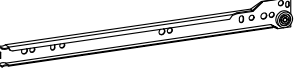

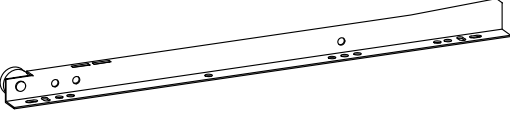


Assembly instructions for step 1/12:

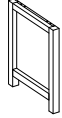
- Tools:** A screwdriver is shown as the required tool. A power drill is shown with a diagonal line through it, indicating it is not to be used.
- Warning:** A warning triangle with an exclamation mark is present.
- Time:** A clock icon indicates that this step takes 40 minutes.
- Personnel:** A person icon indicates that one person is required for this step.



<p>11</p>  <p>x 1</p>	<p>12</p>  <p>x 1</p>	<p>13</p>  <p>x 1</p>	<p>A</p>  <p>x 16</p>
<p>B</p>  <p>x 16</p>	<p>C</p>  <p>x 12</p>	<p>D</p>  <p>M4 x 25</p> <p>x 2</p>	<p>E</p>  <p>M4 x 35</p> <p>x 4</p>
<p>F</p>  <p>x 4</p>	<p>G</p>  <p>x 1</p>	<p>H</p>  <p>M3 x 10</p> <p>x 10</p>	<p>I</p>  <p>x 4</p>
<p>J</p>  <p>M3 x 14</p> <p>x 6</p>	<p>K</p>  <p>x 1</p>	<p>L</p>  <p>x 1</p>	<p>M</p>  <p>x 1</p>
<p>N</p>  <p>x 1</p>			

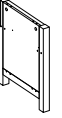
1

2



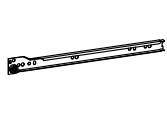
x 1

3



x 1

K



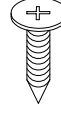
x 1

L



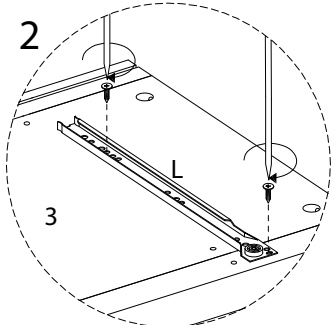
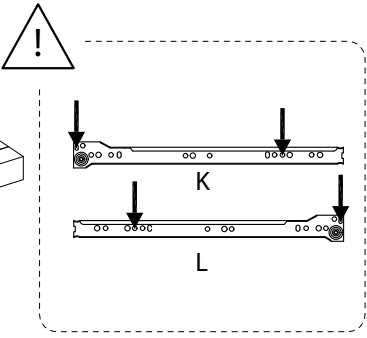
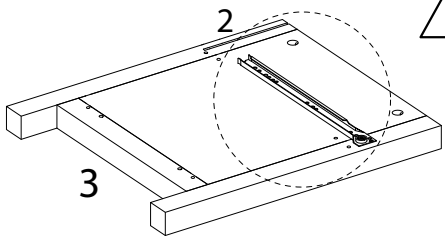
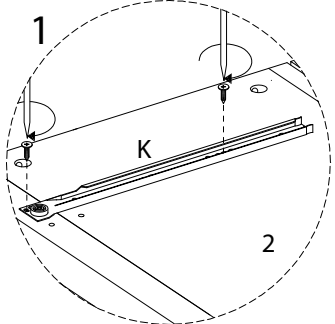
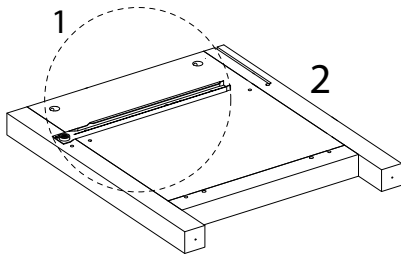
x 1

H



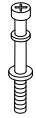
M3
x 10

x 4



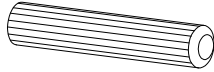
2

B

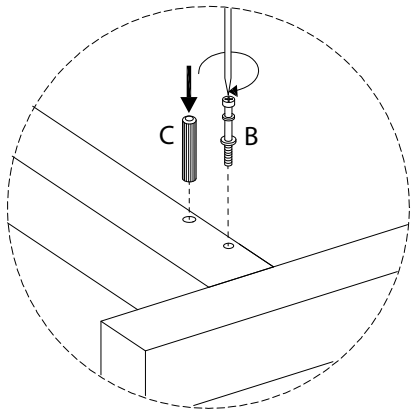
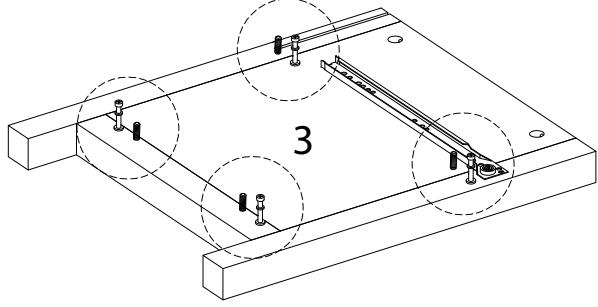
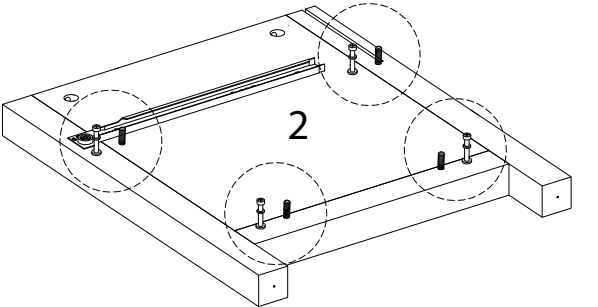


x 8

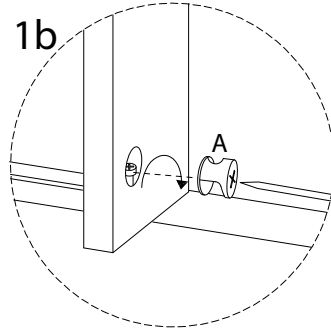
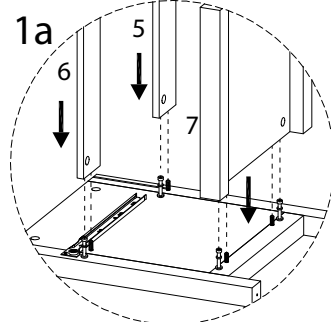
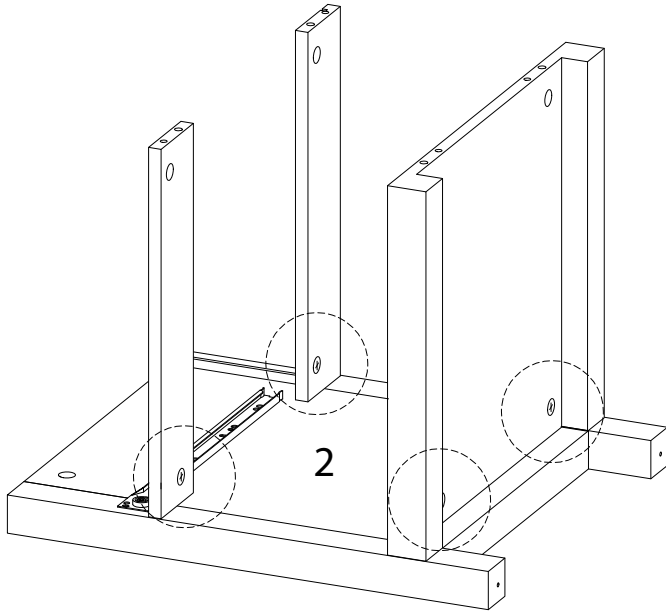
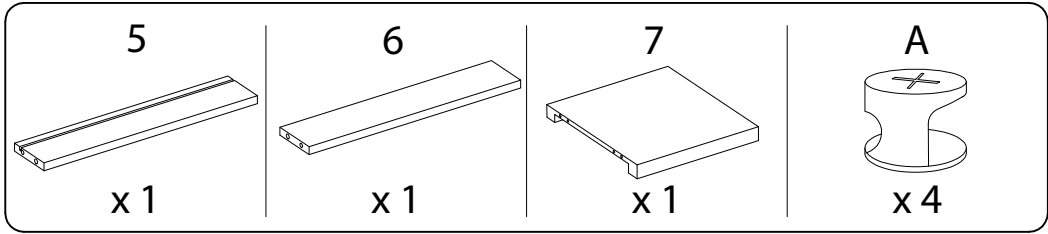
C



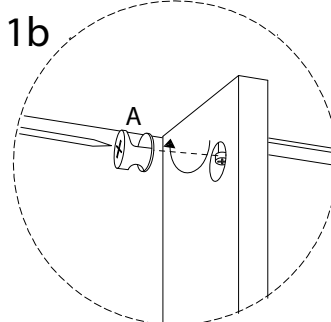
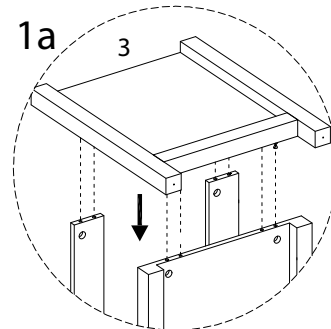
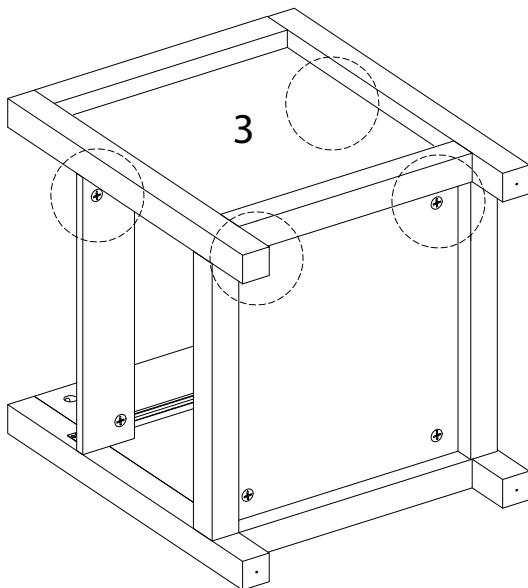
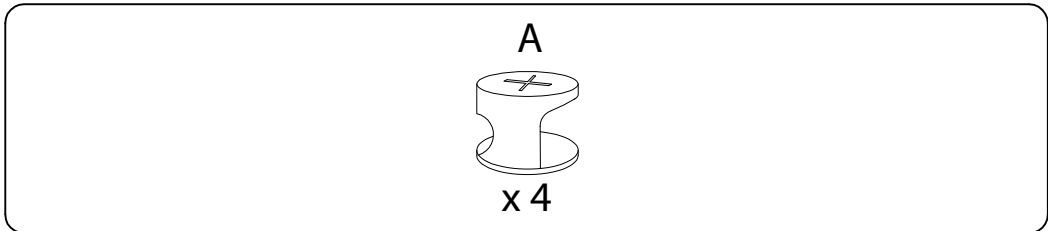
x 8



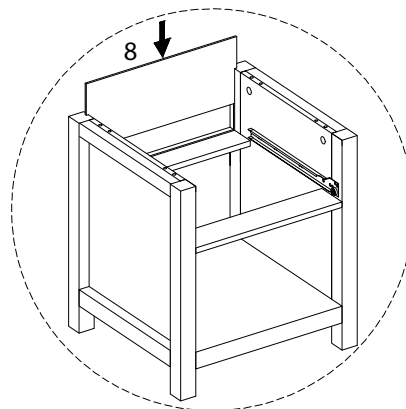
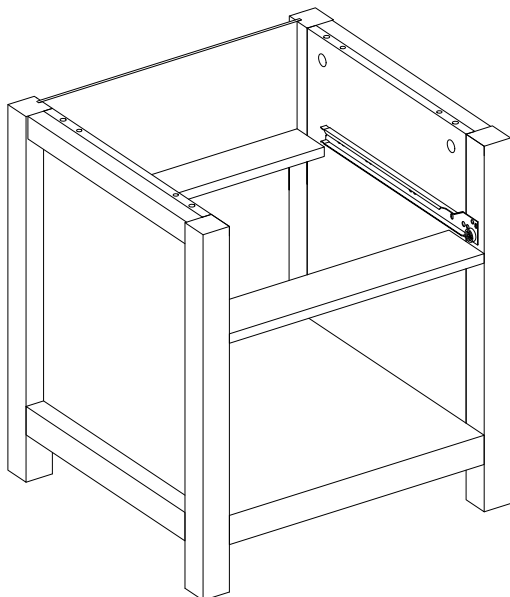
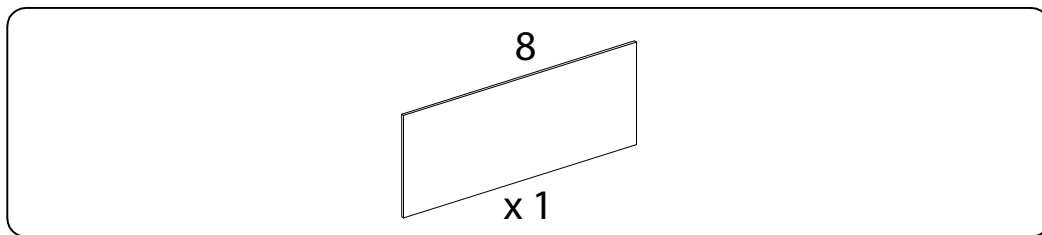
3



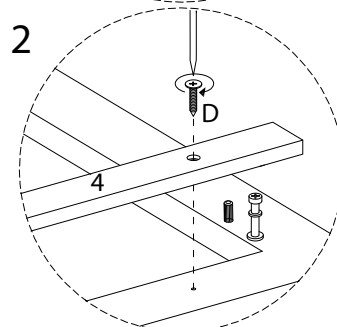
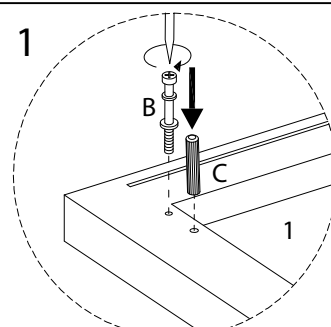
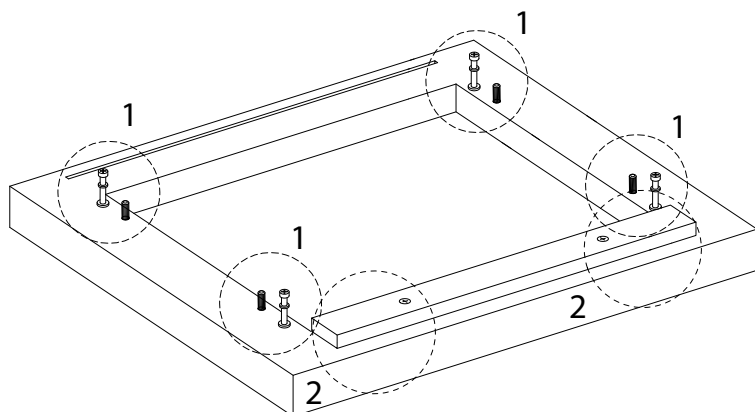
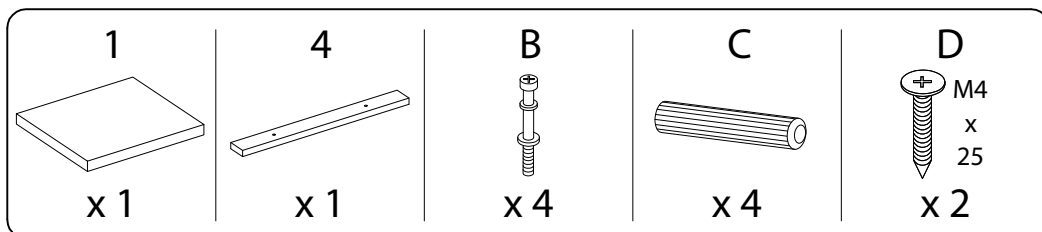
4



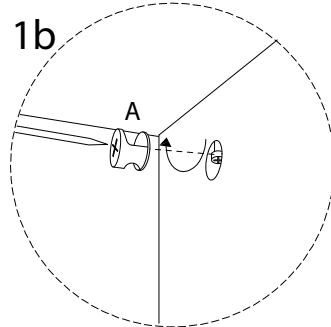
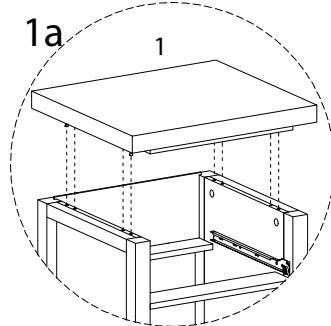
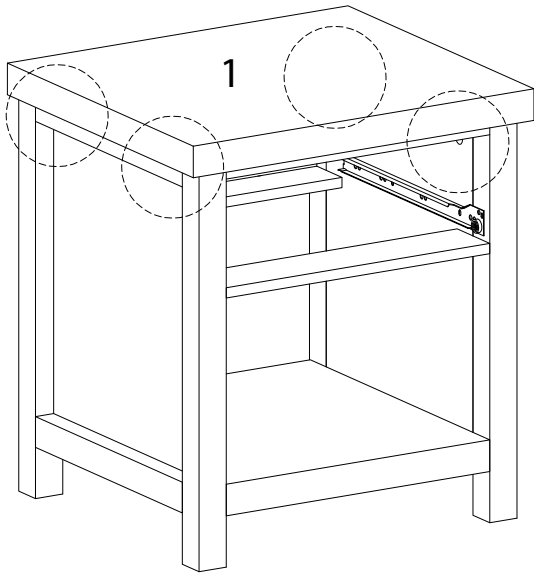
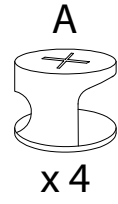
5



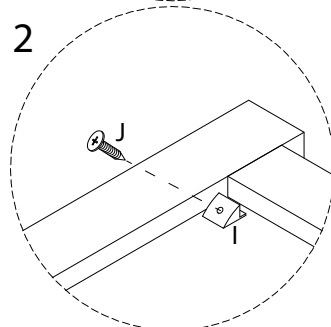
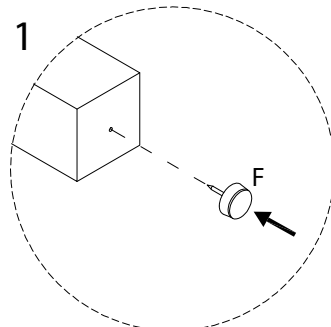
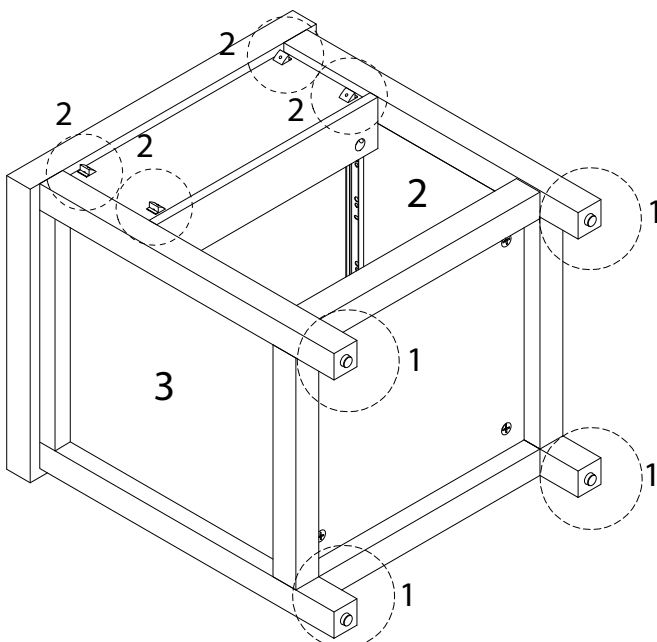
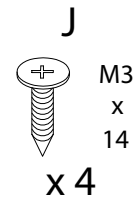
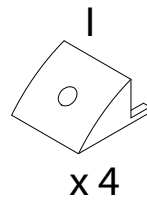
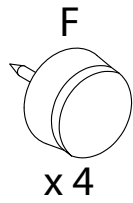
6



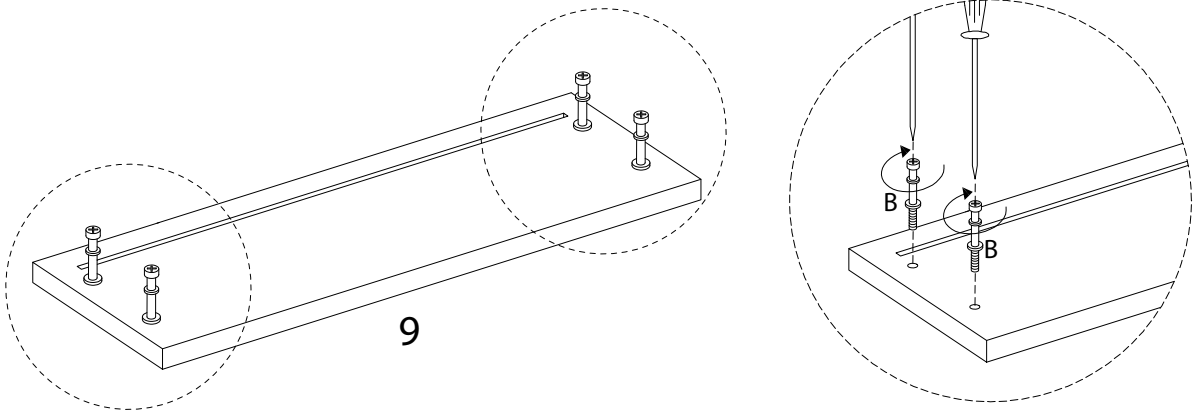
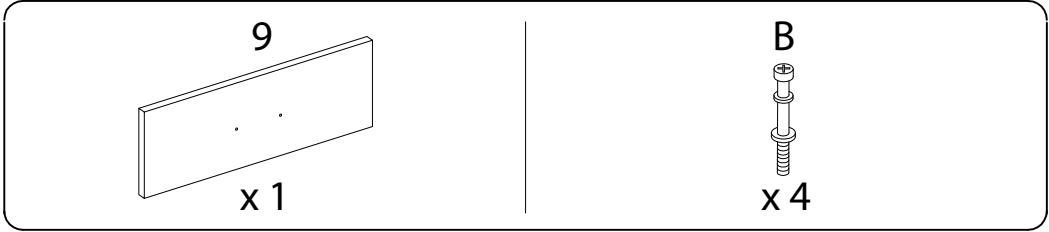
7



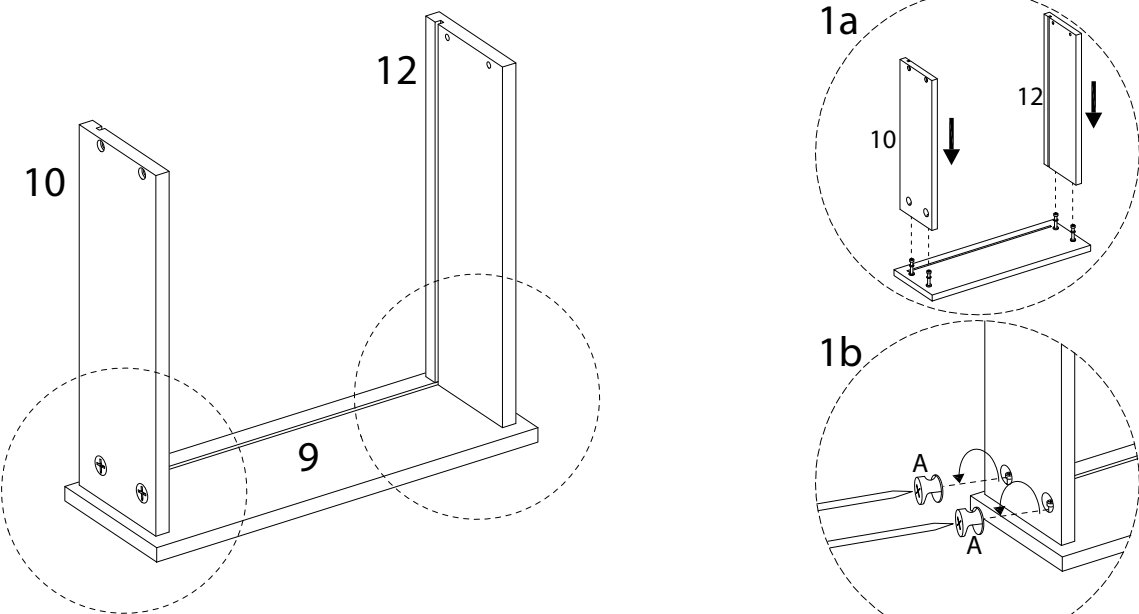
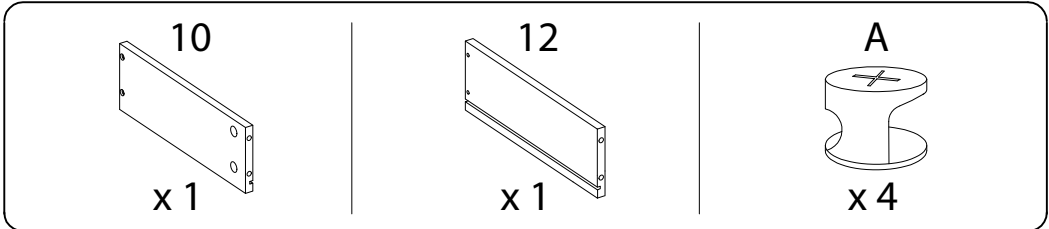
8



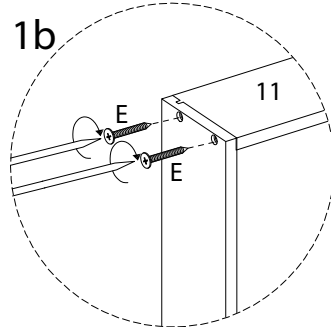
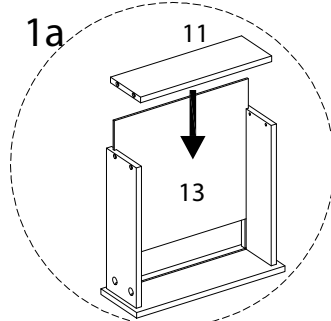
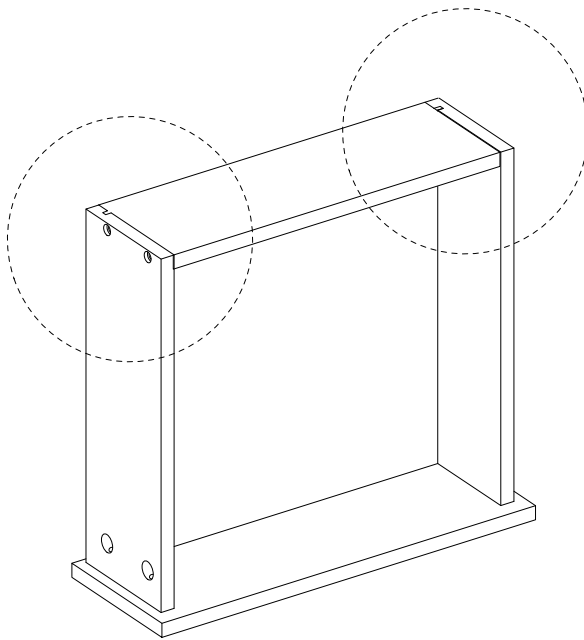
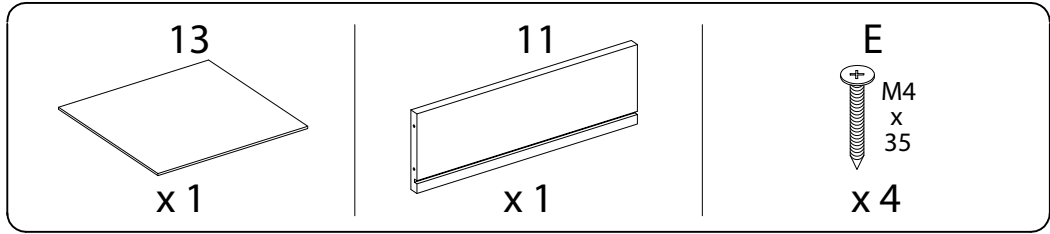
9



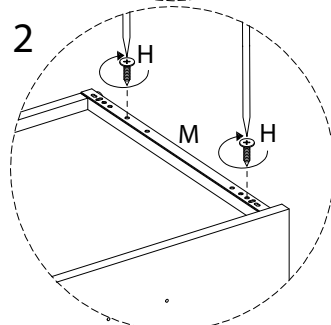
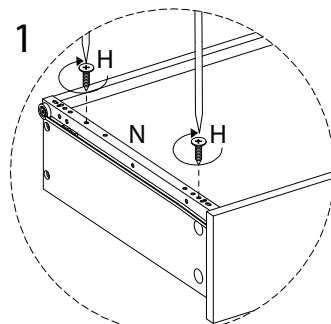
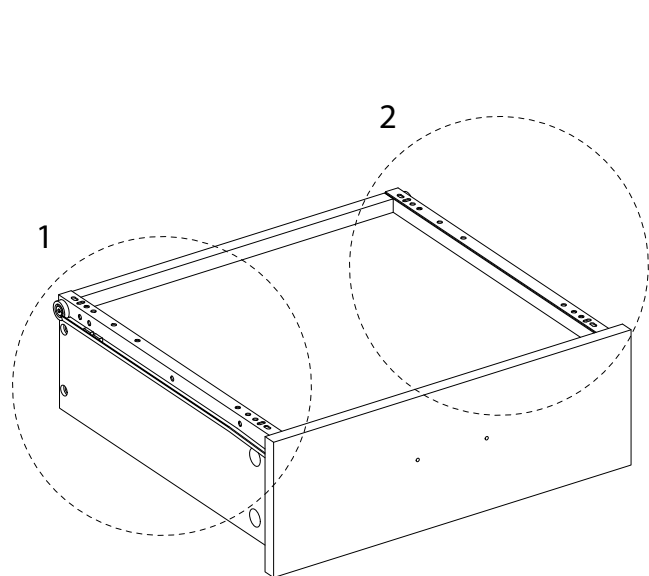
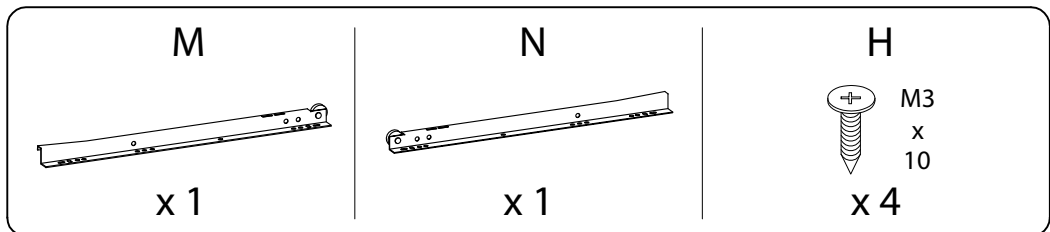
10



11

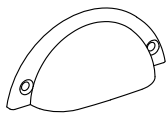


12



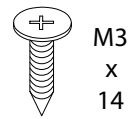
13

G



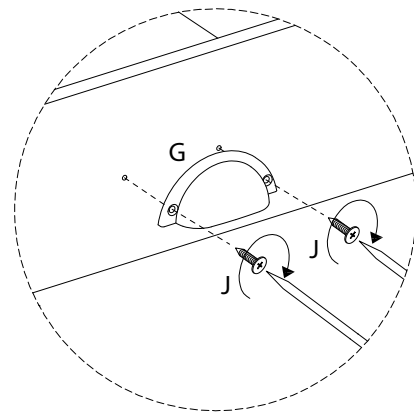
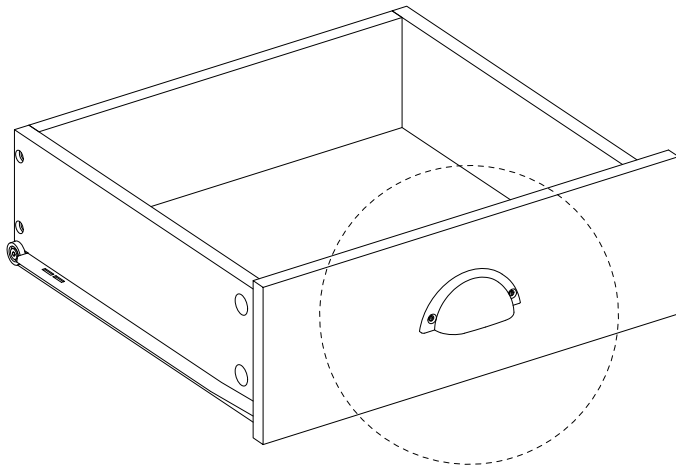
x 1

J

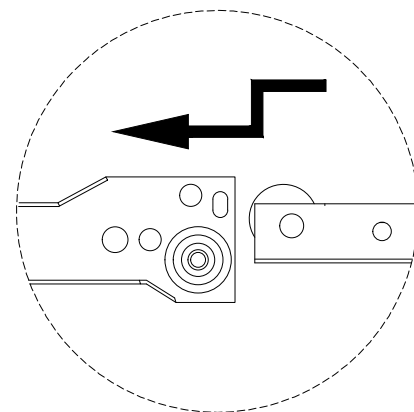
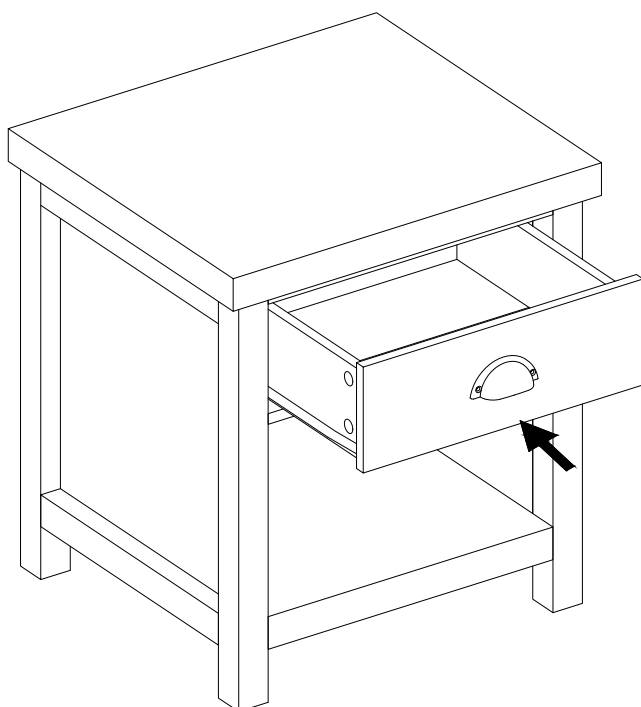


M3
x
14

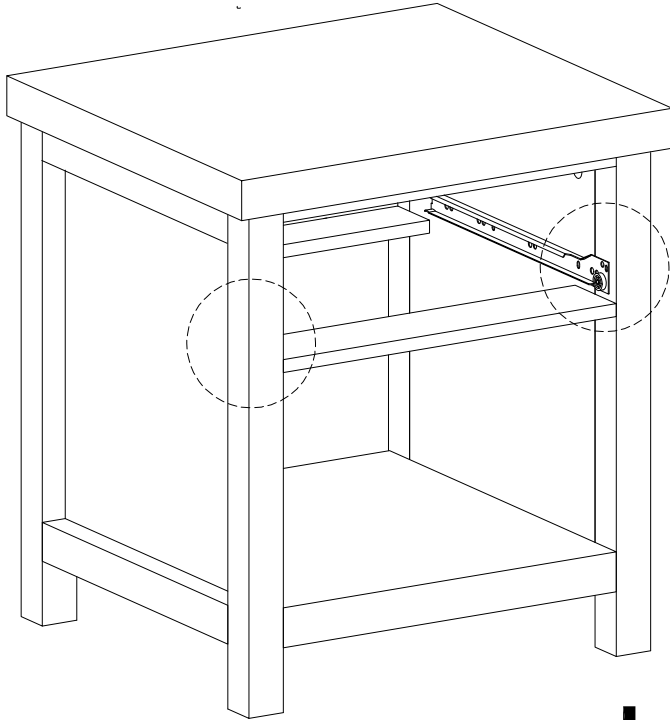
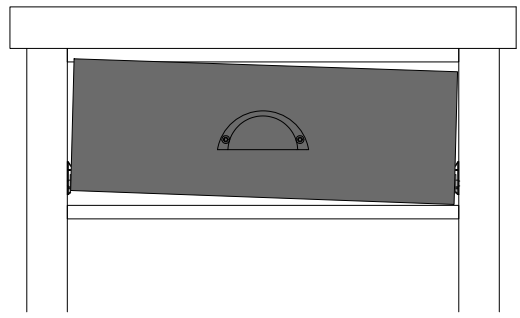
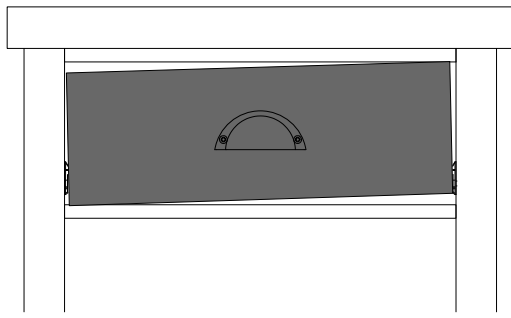
x 2



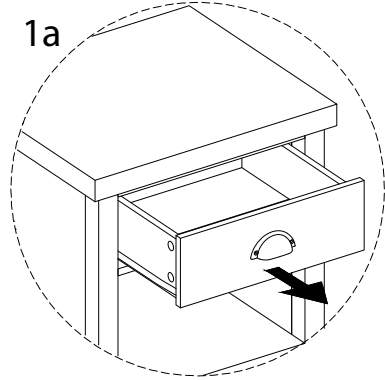
14



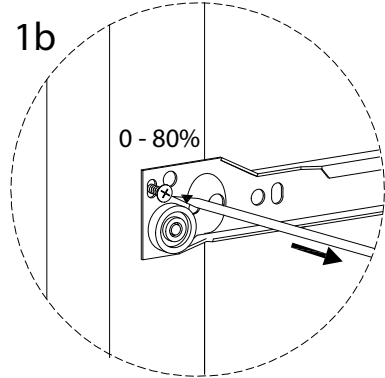
!



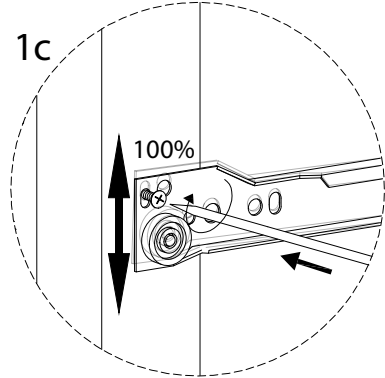
1a



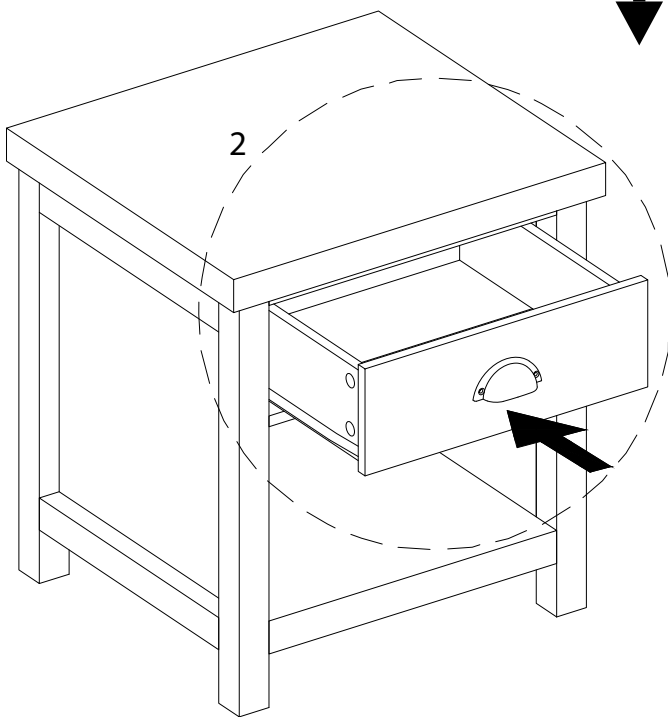
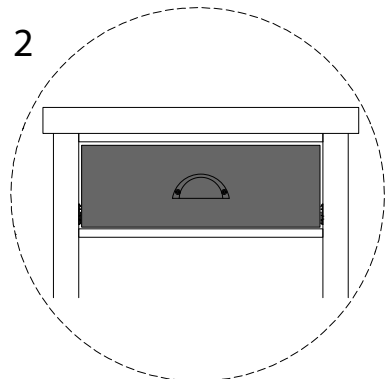
1b



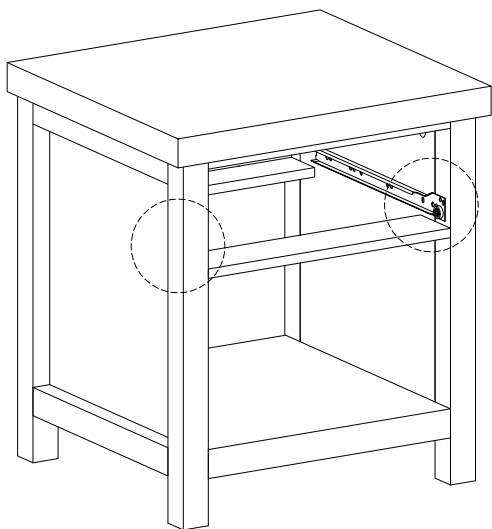
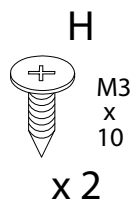
1c



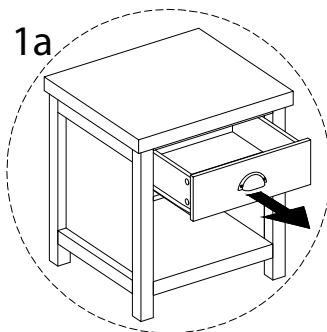
2



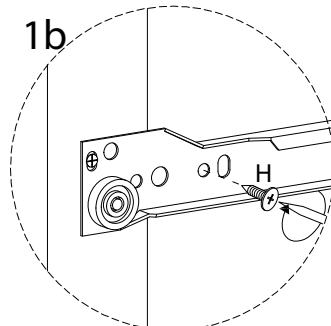
15



1a



1b



1c

