

**LEGO** mindstorms<sup>®</sup>  
EV3

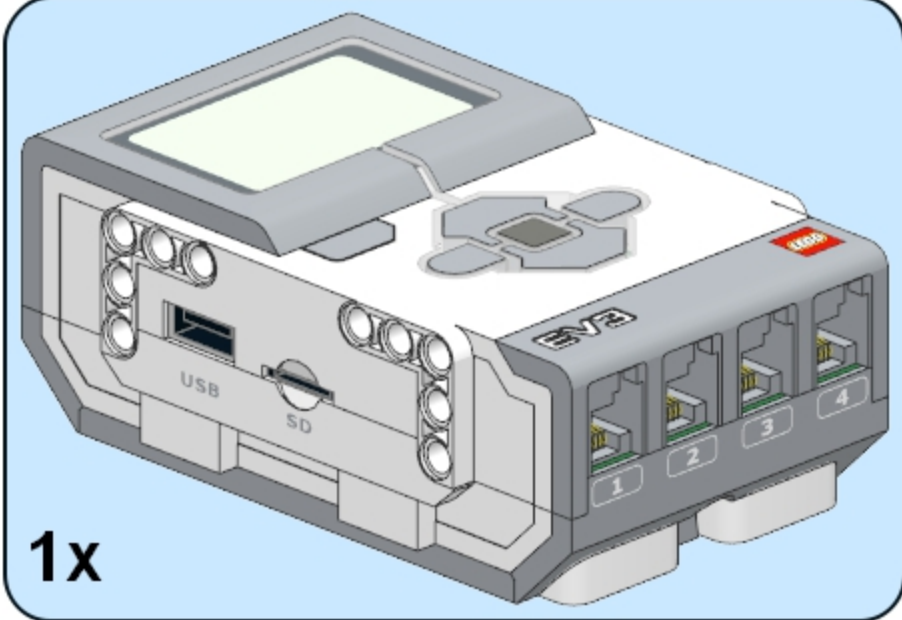
# ROBODOZ3R



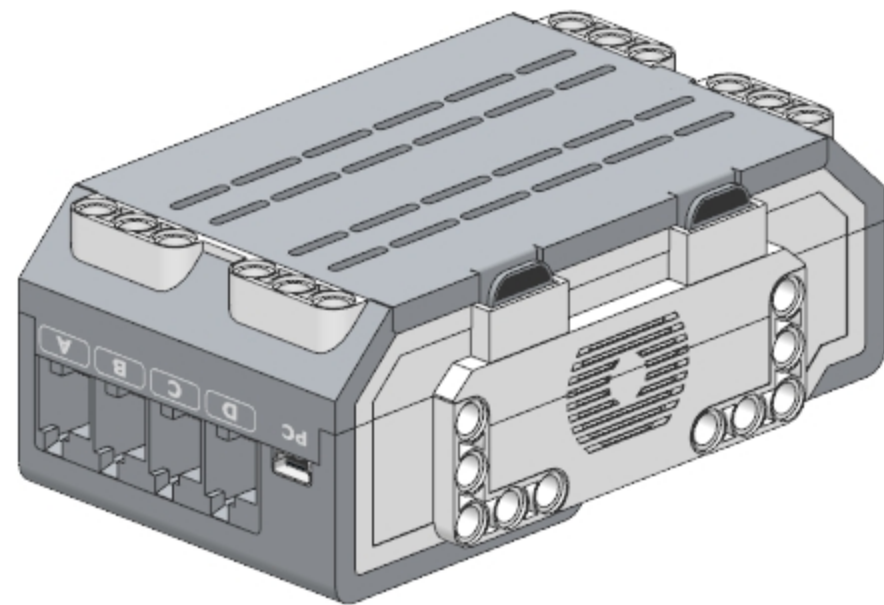
Model Design  
and Programming Instructions  
by: **Mark Crosbie**

Building Instructions  
by: **Mark Crosbie &  
Philippe "Philo" Hurbain**

1

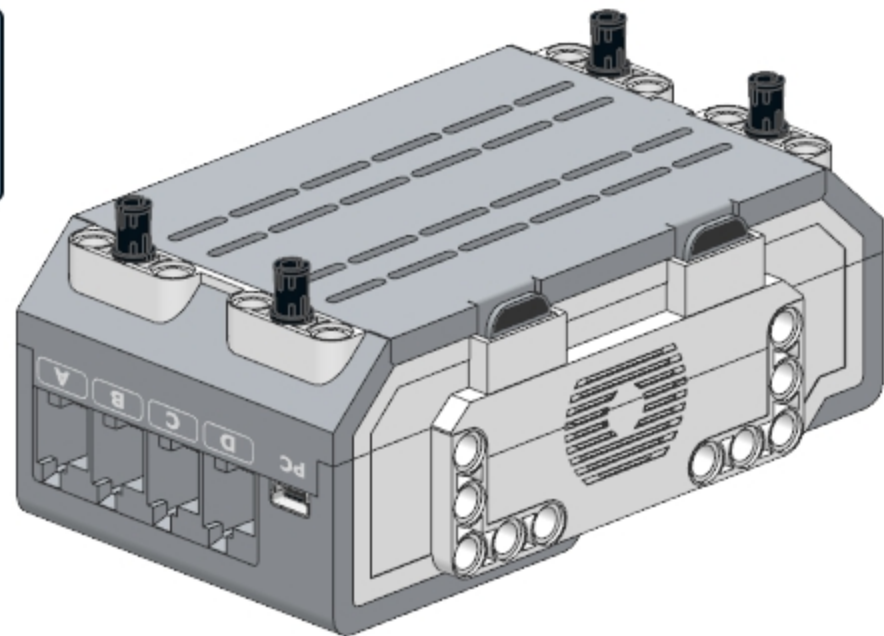
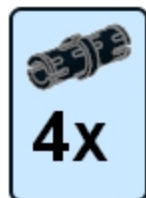


1x

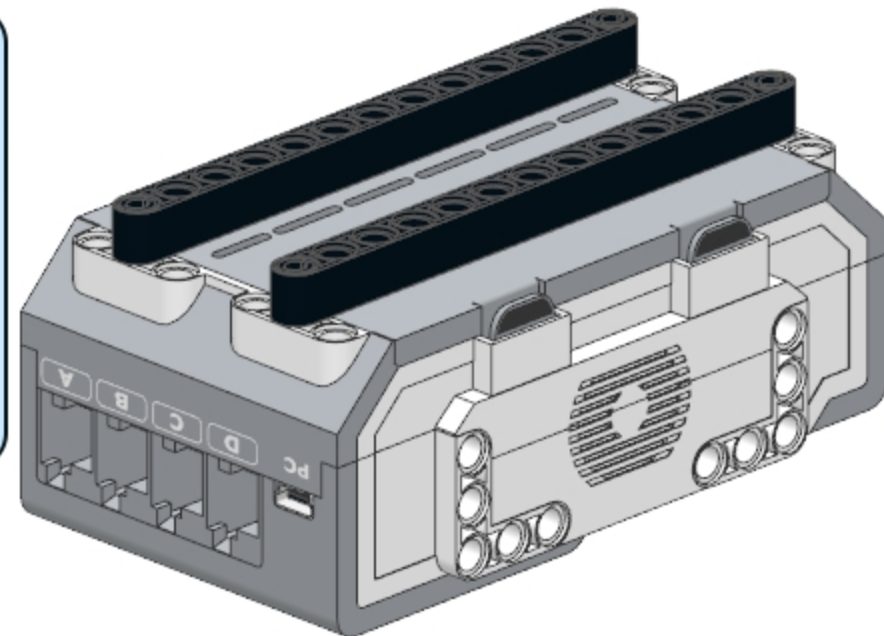
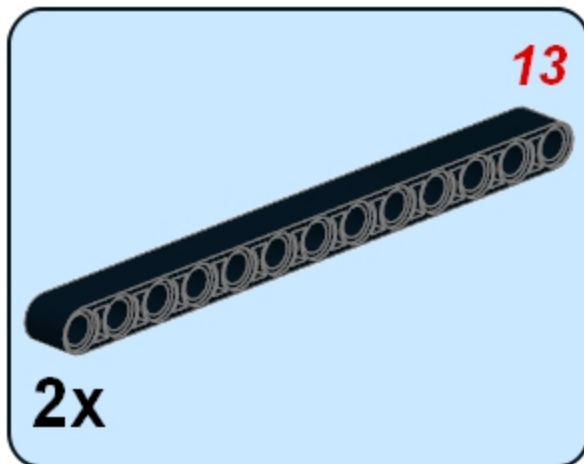


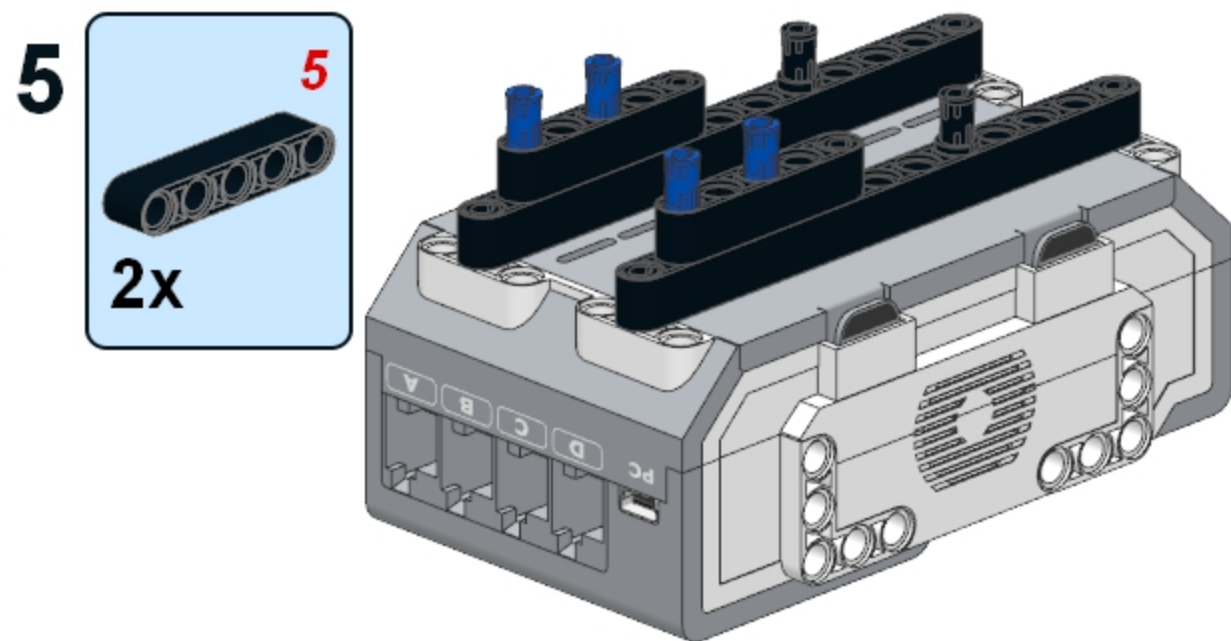
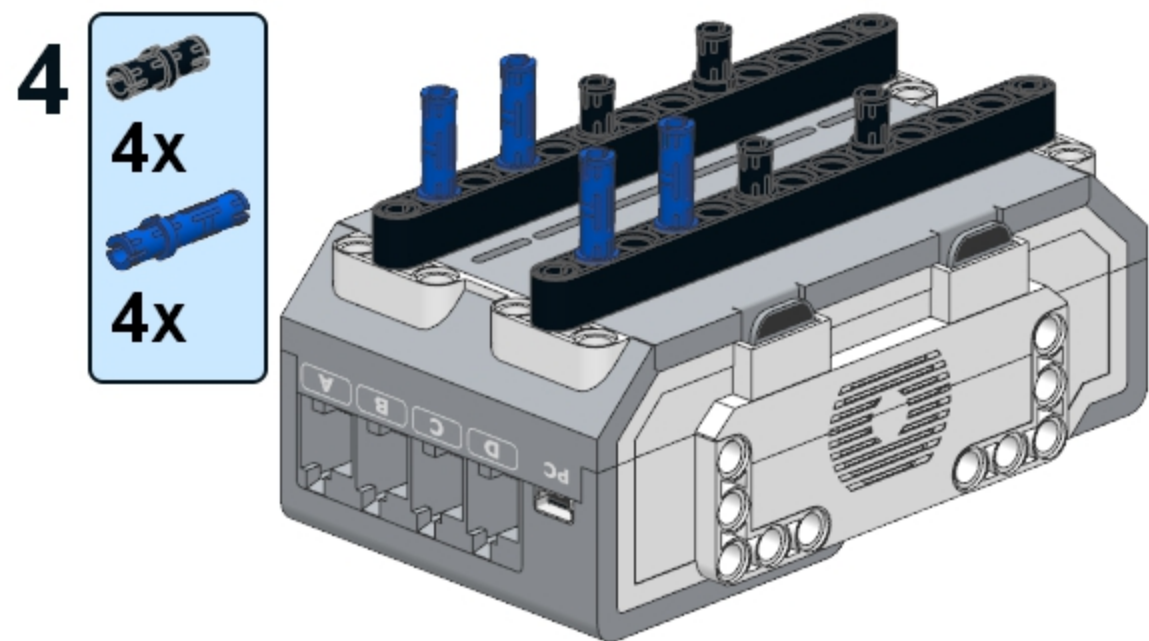
1

2

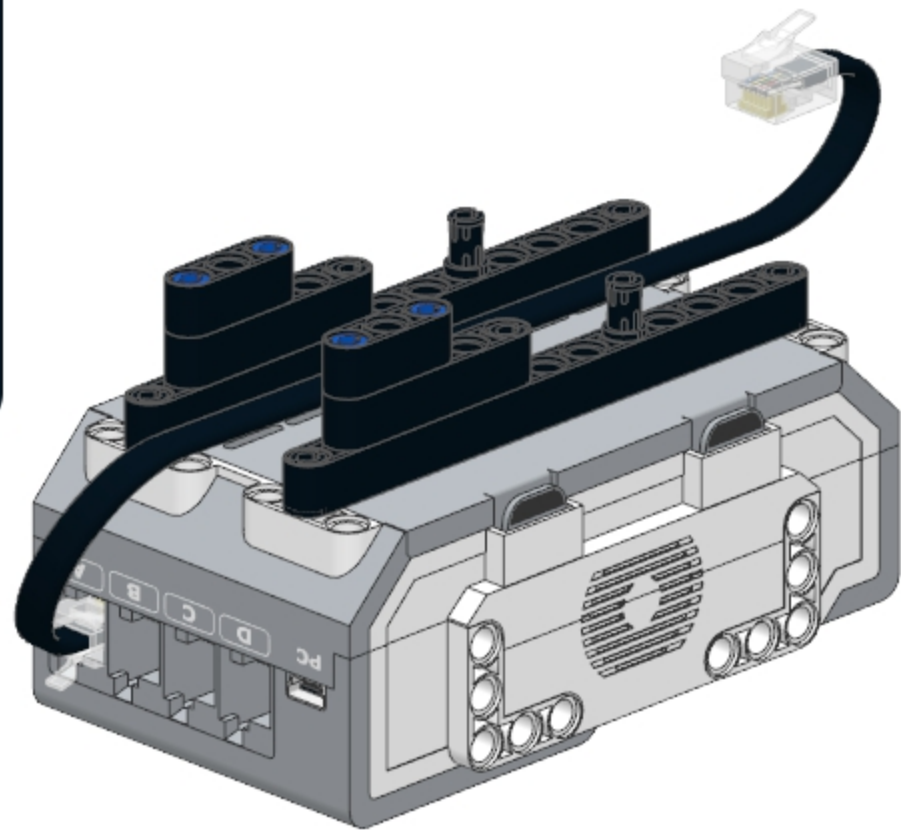
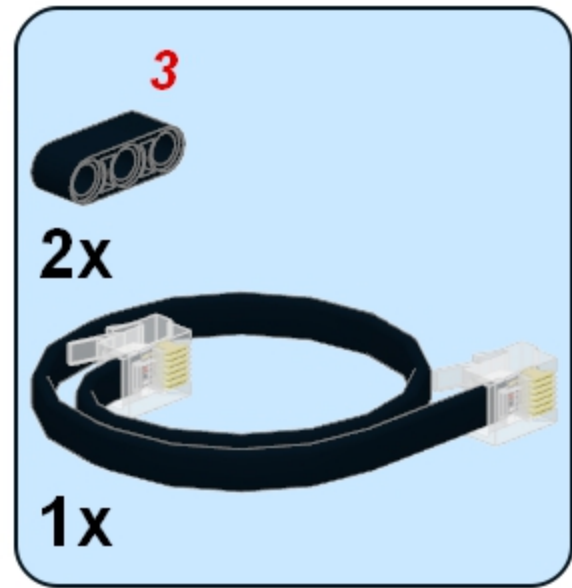


3

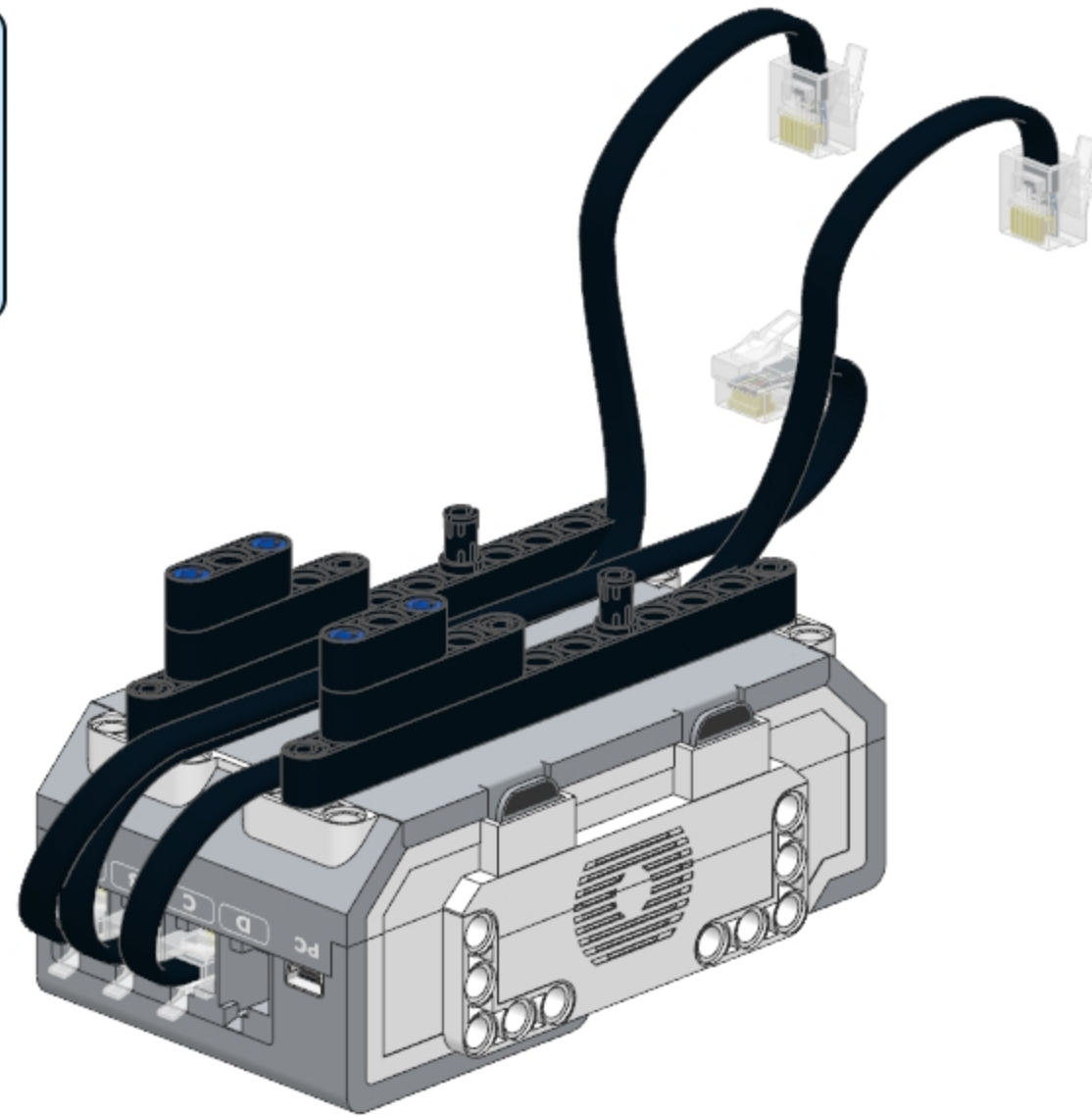
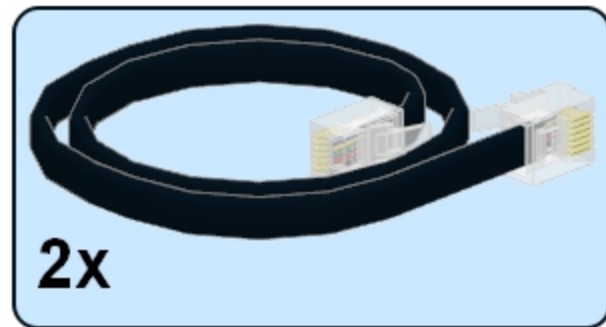


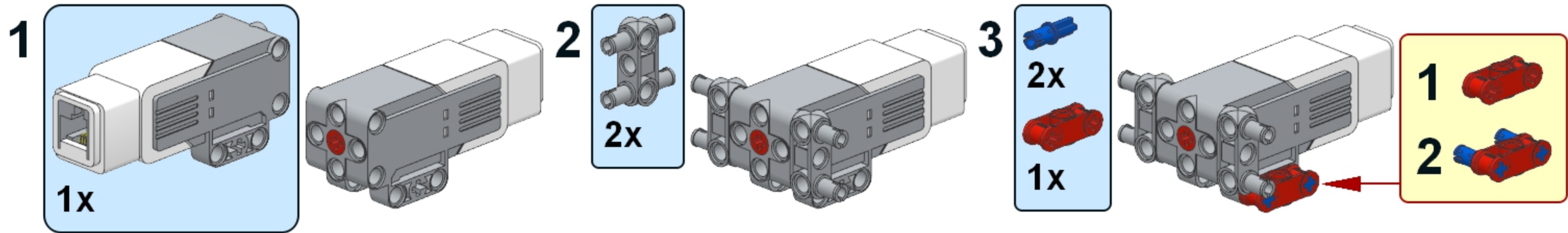


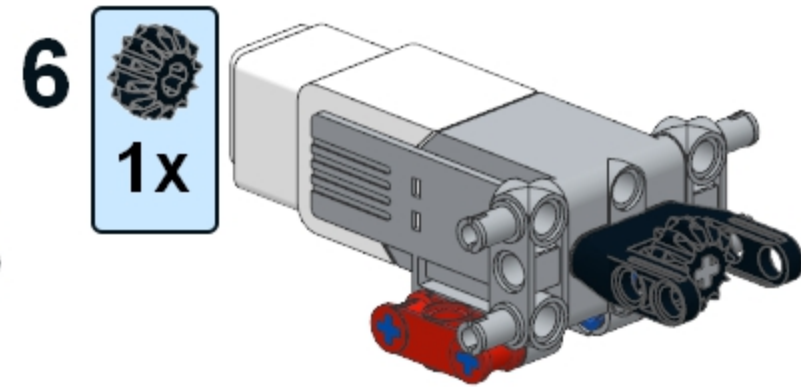
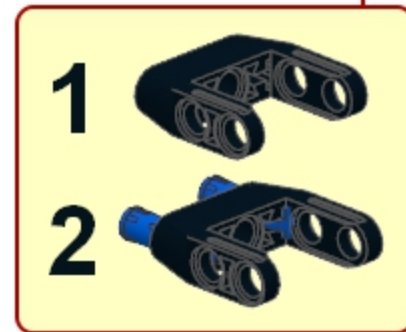
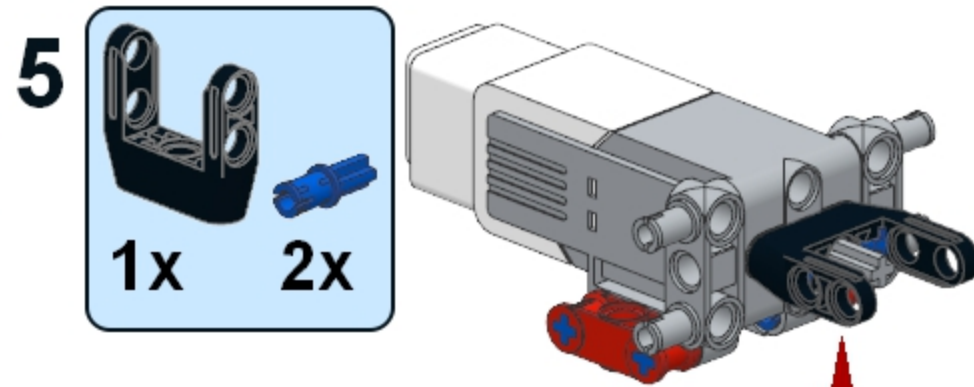
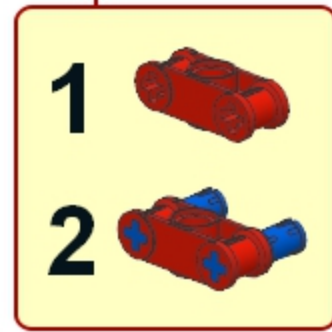
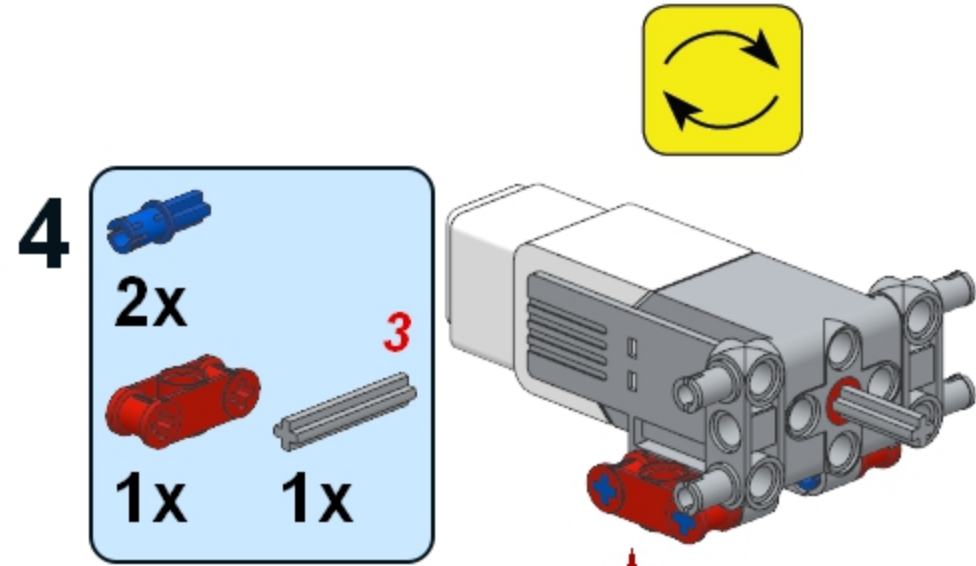
6

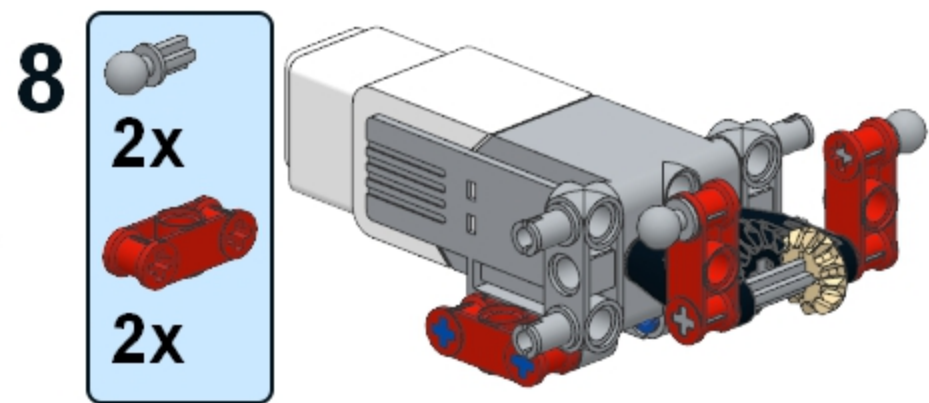
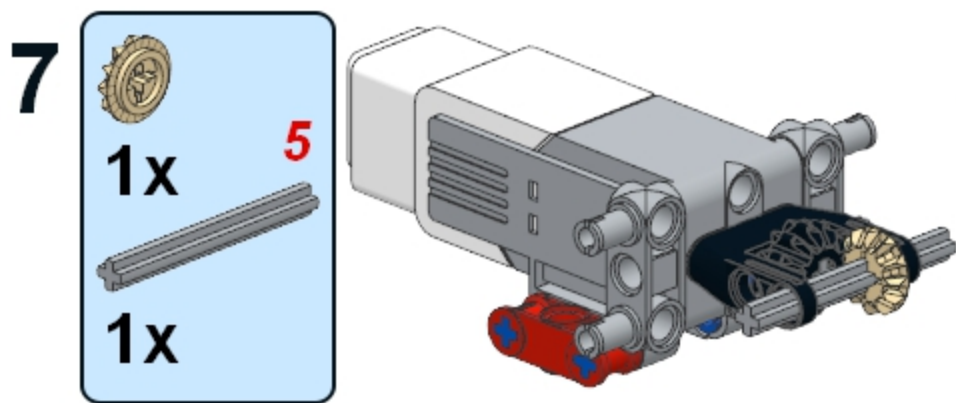


7

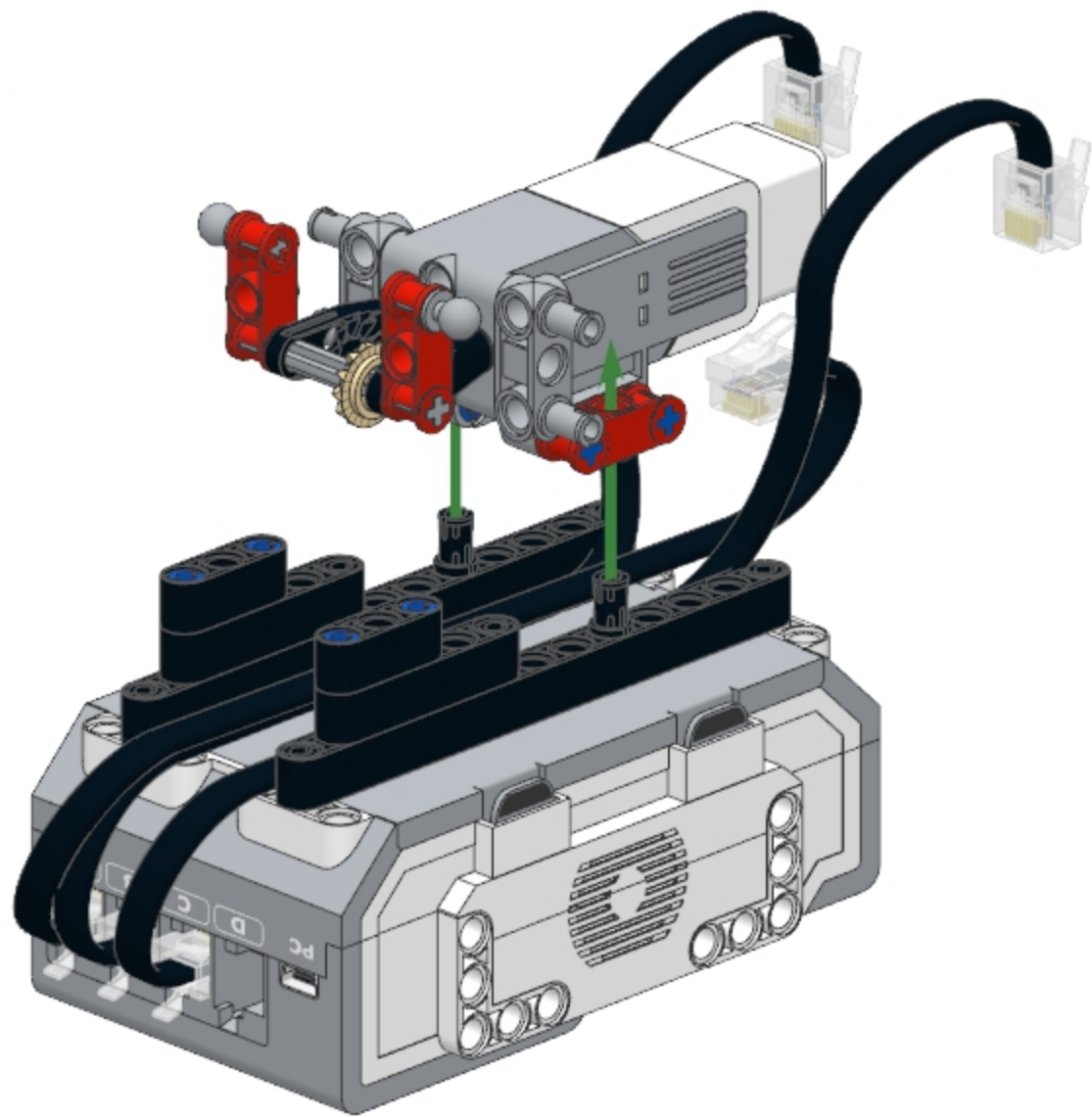




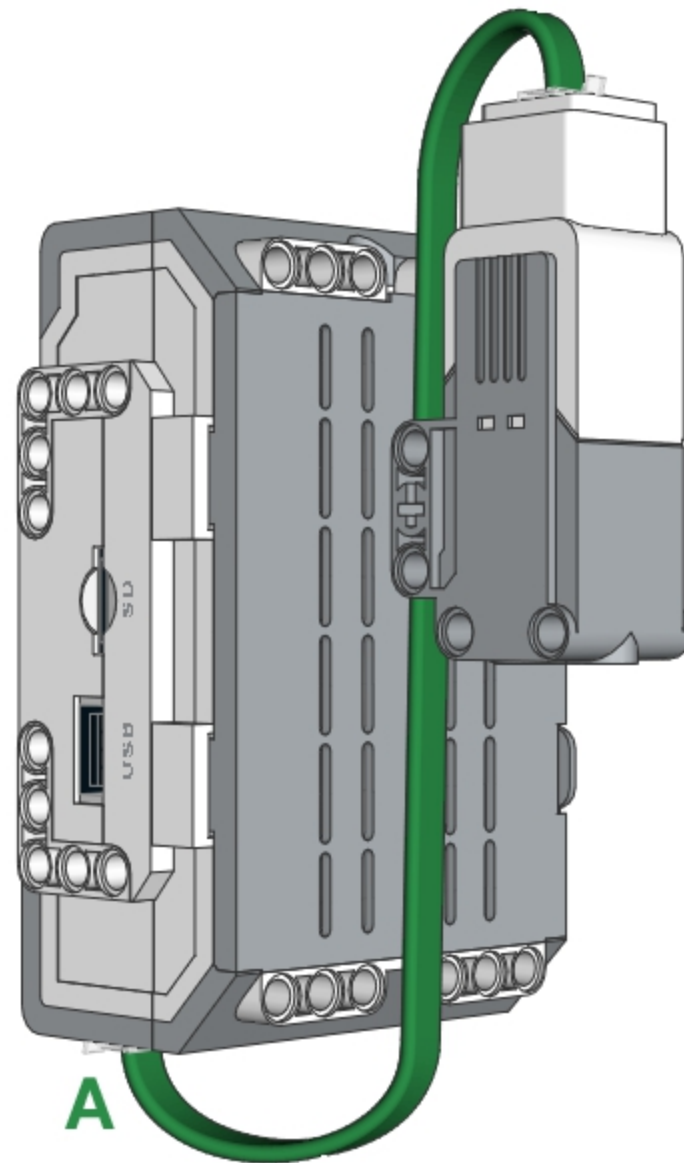
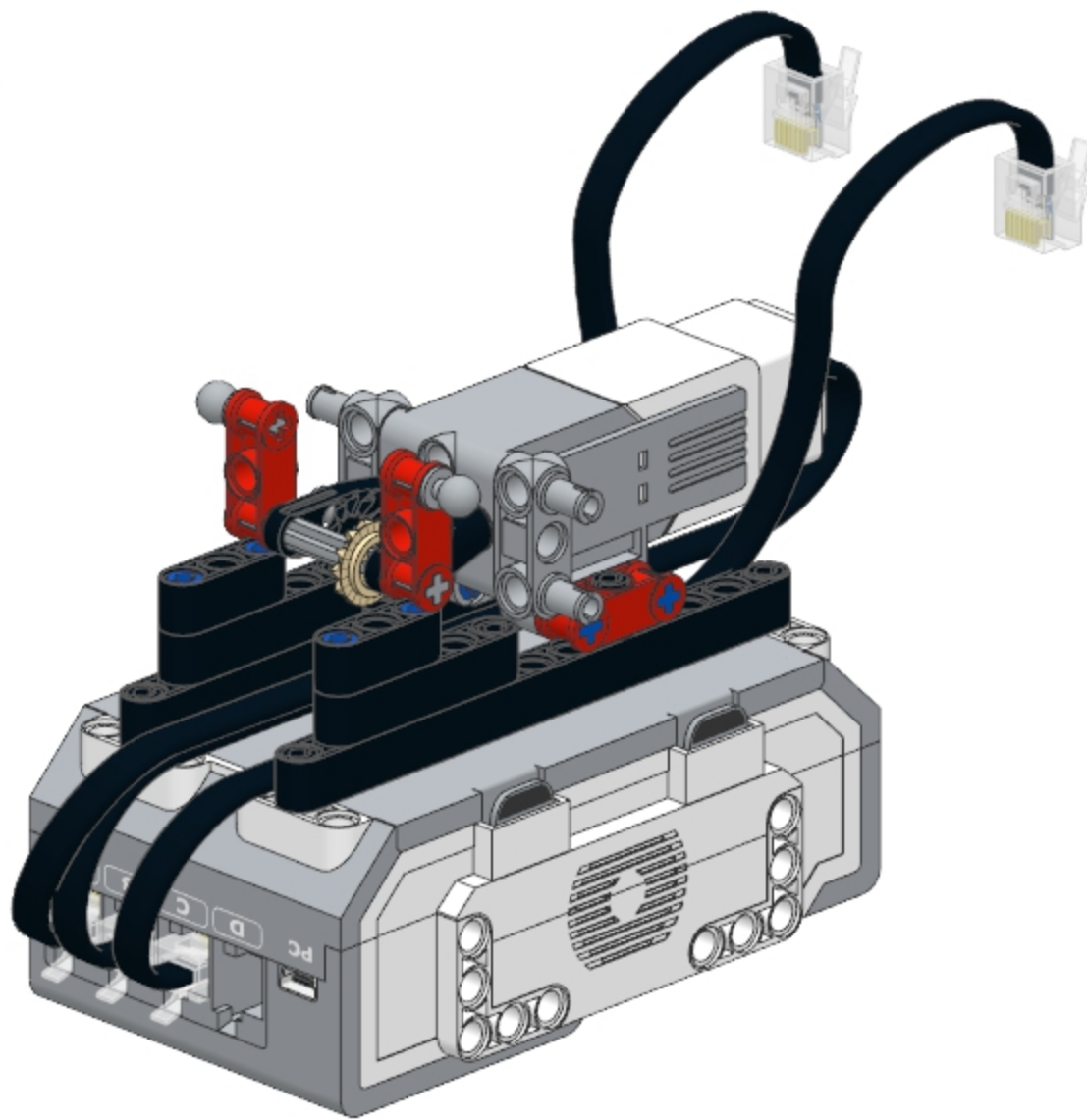




8

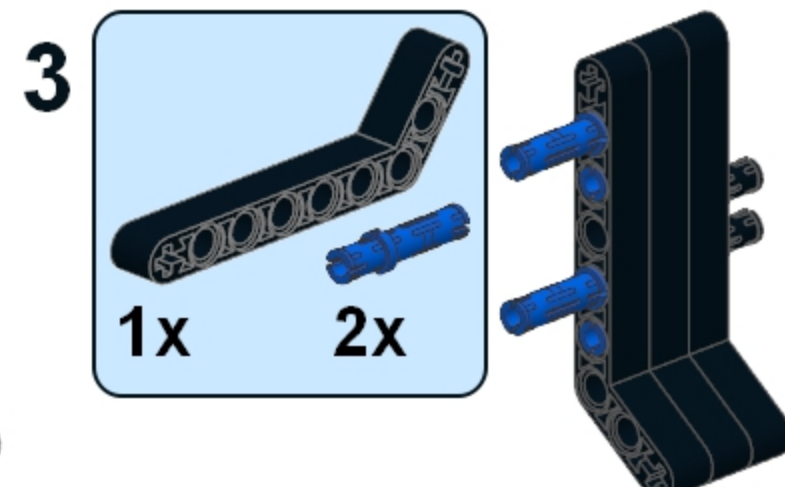
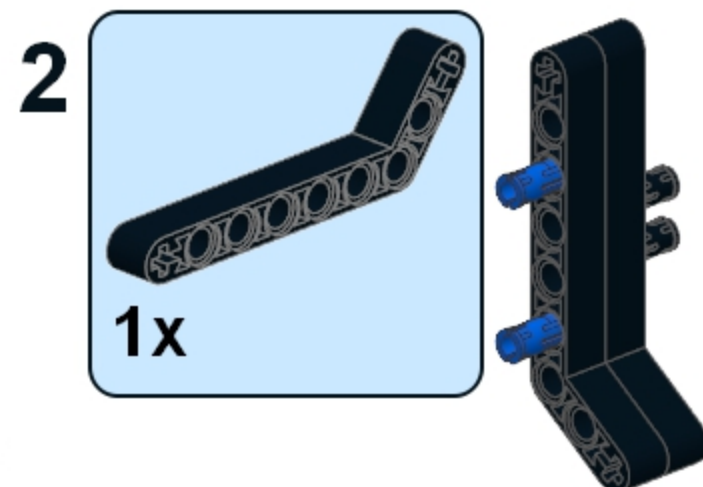
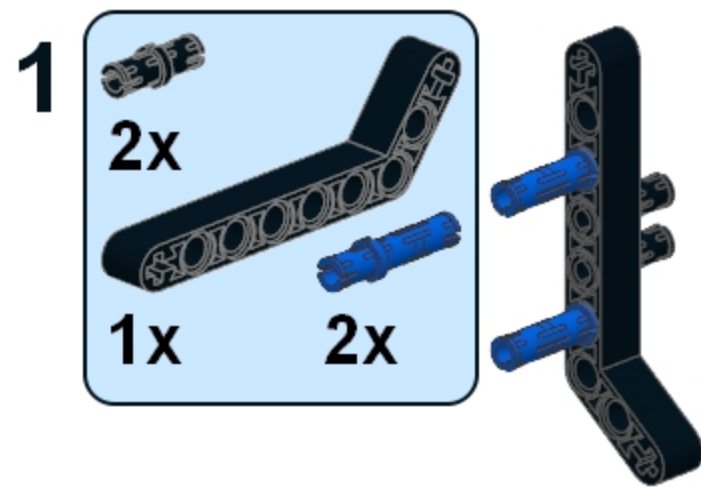


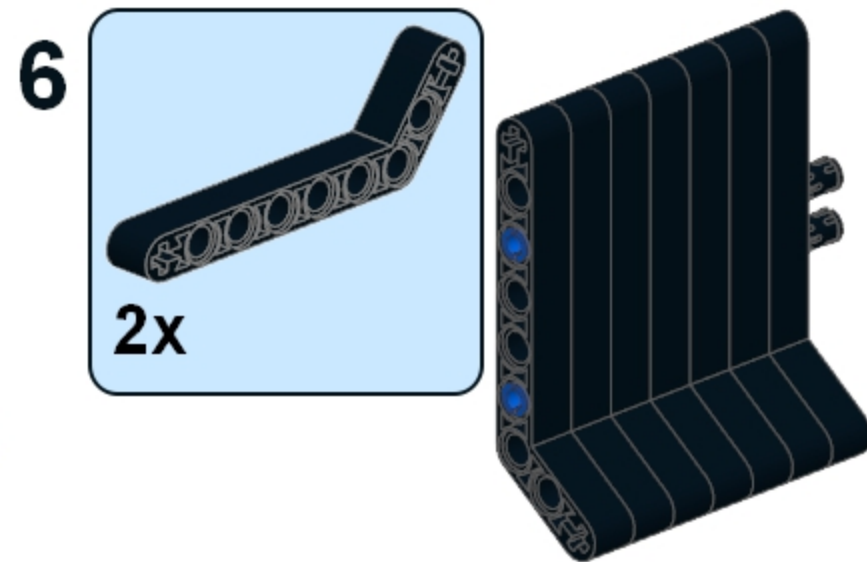
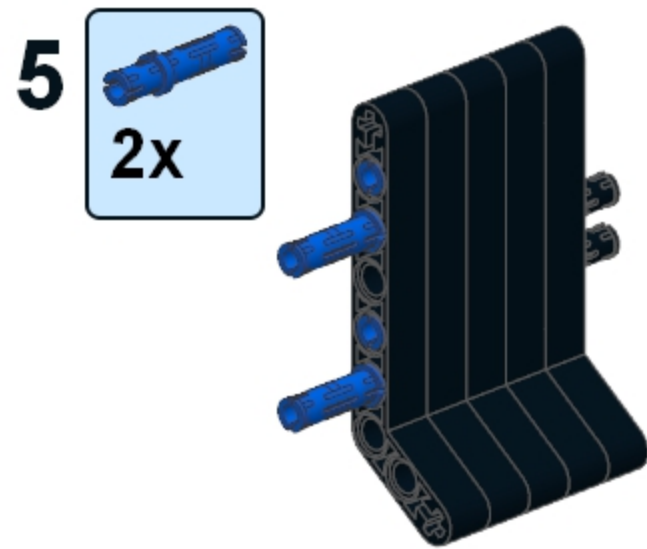
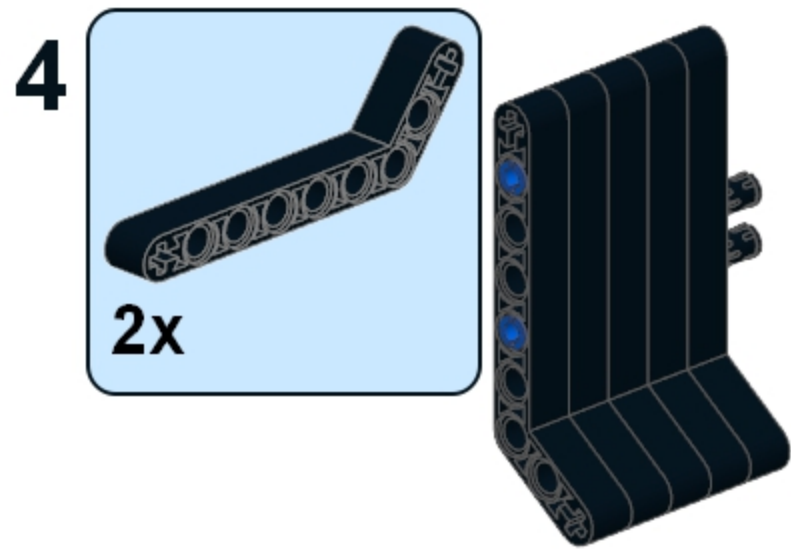
9

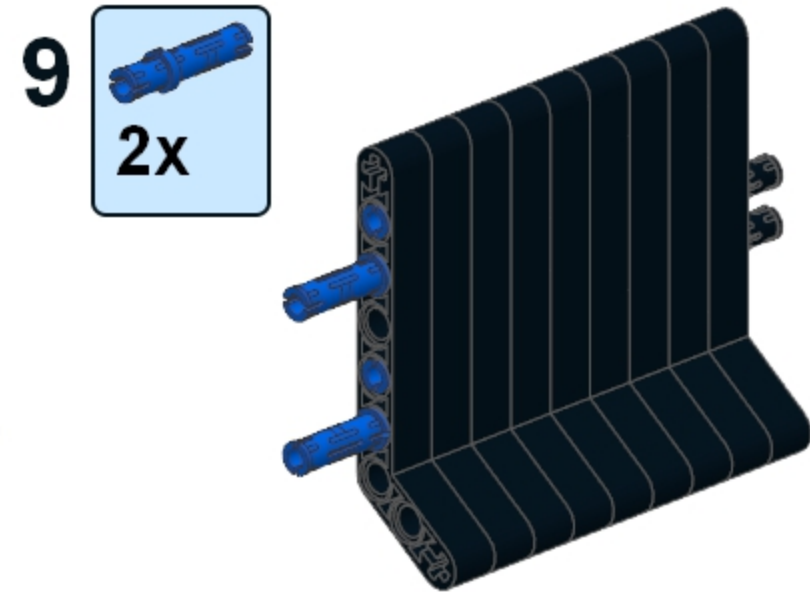
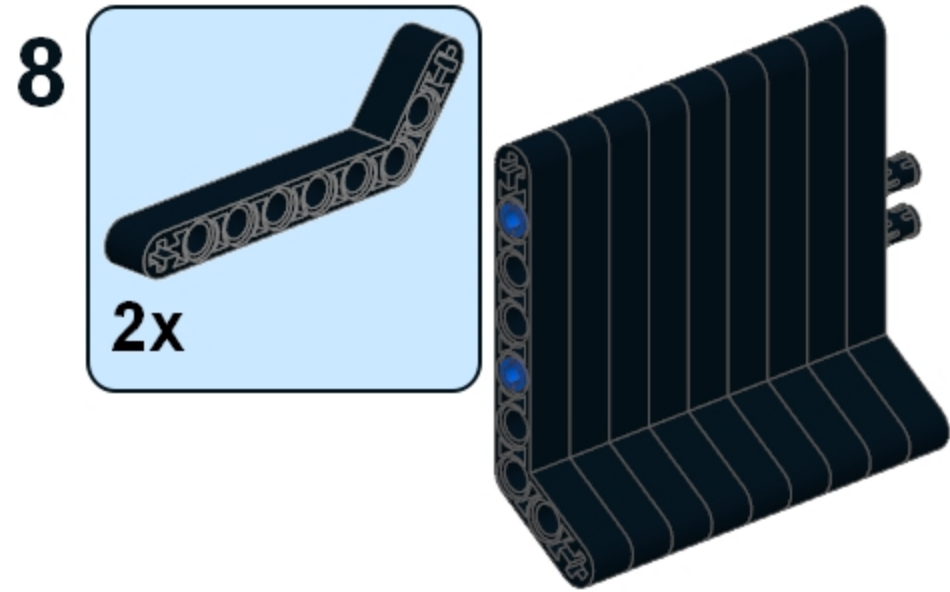
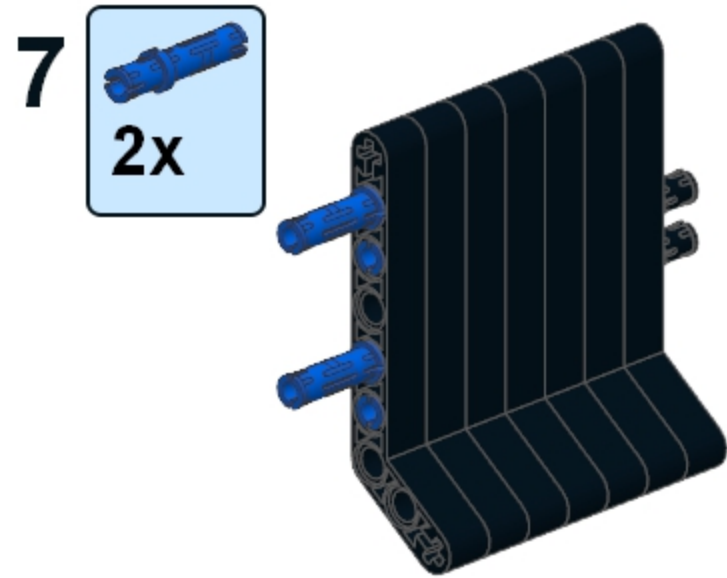


8

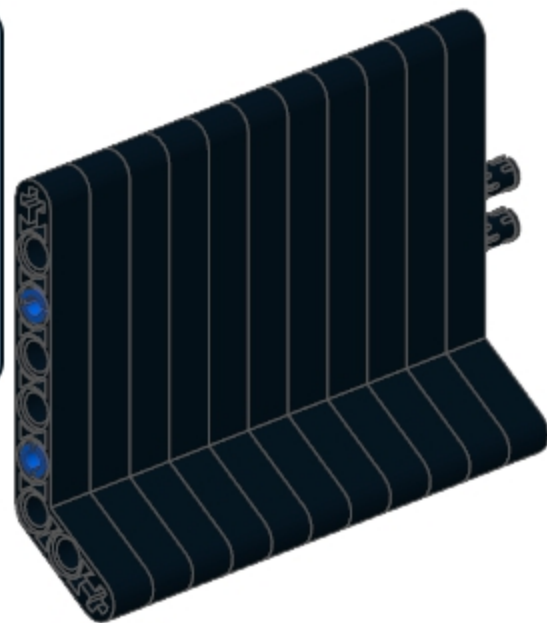
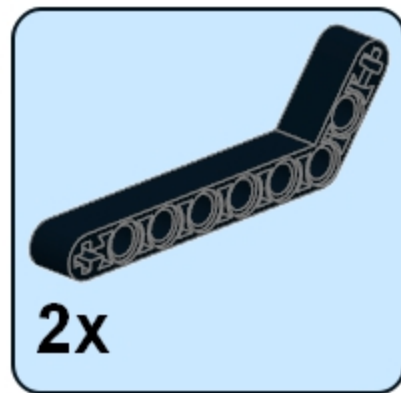








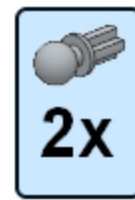
10



11



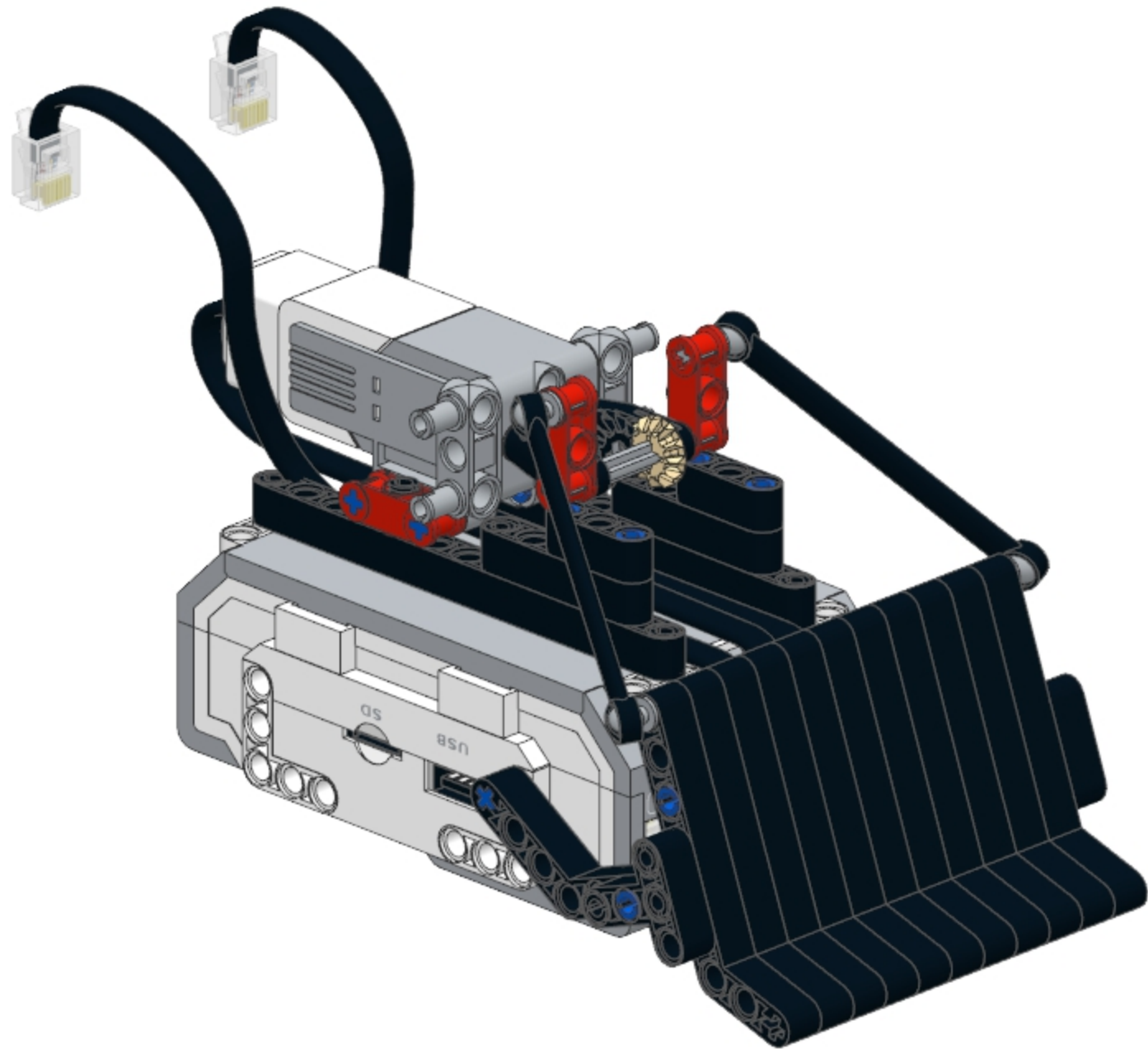
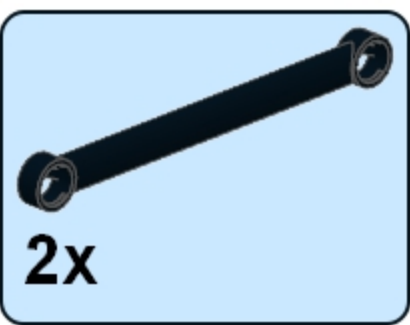
12





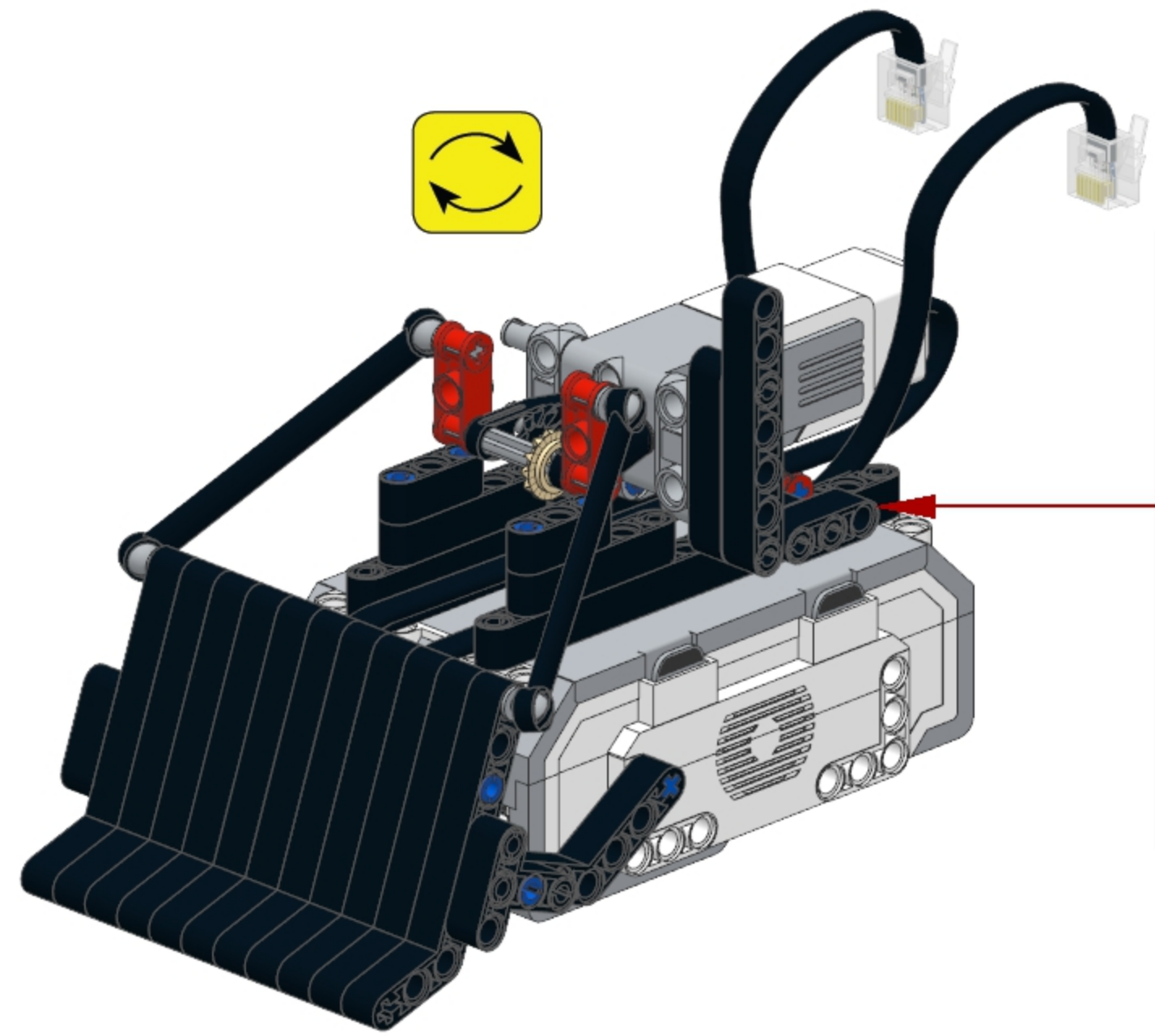


14

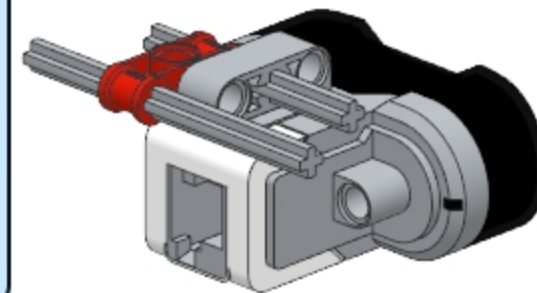
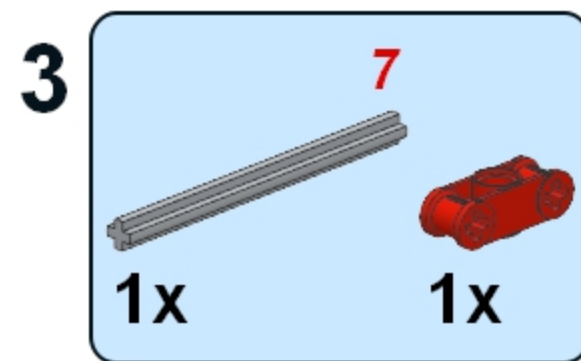
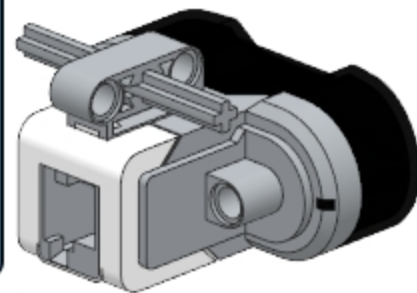
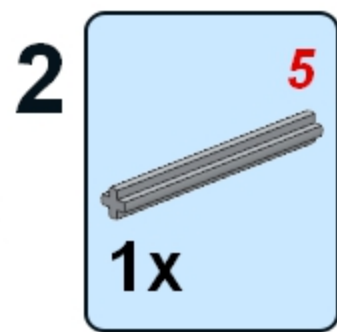
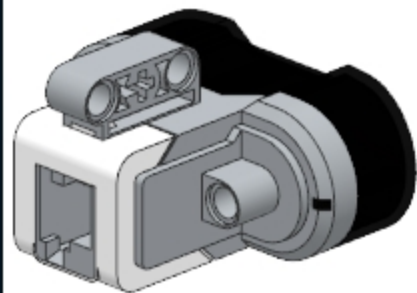
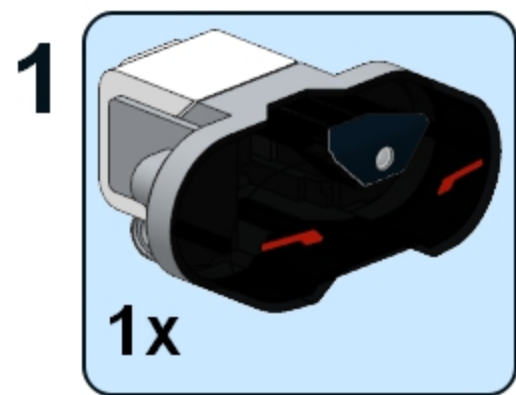


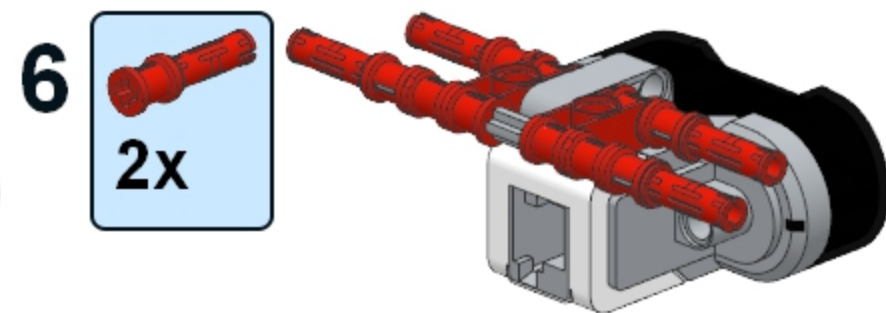
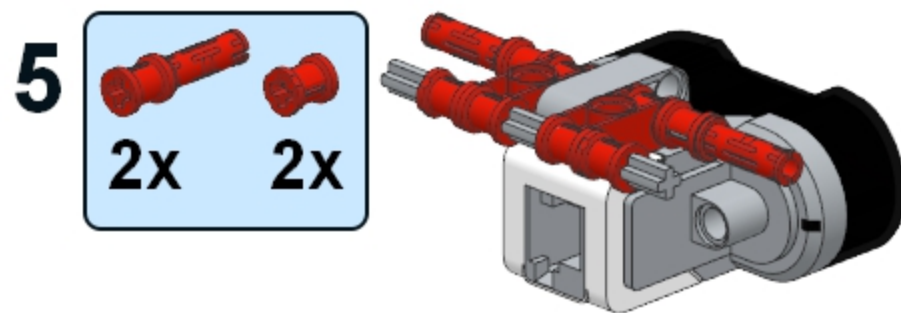
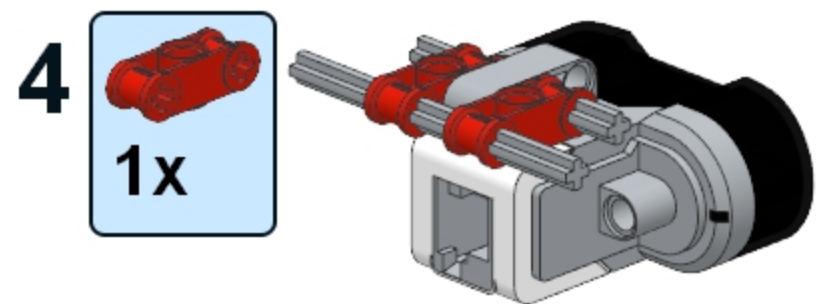
15

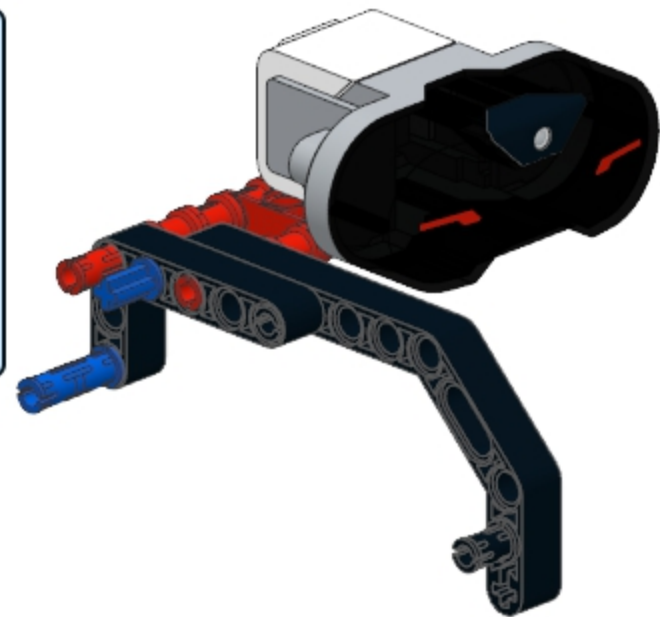
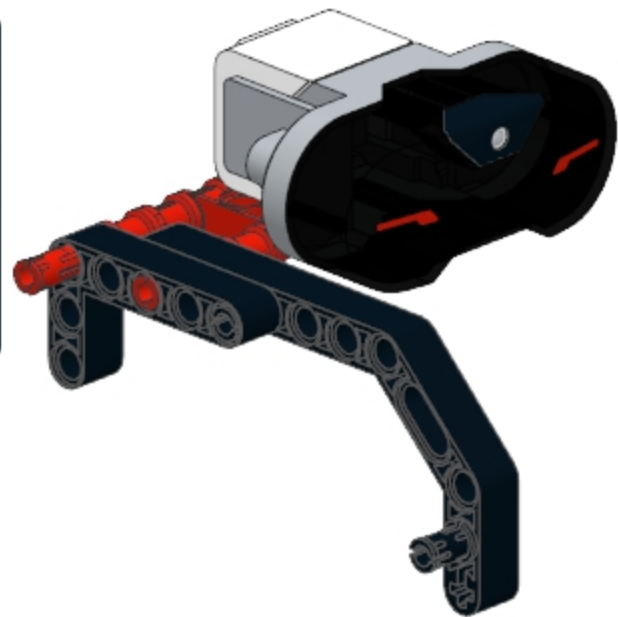
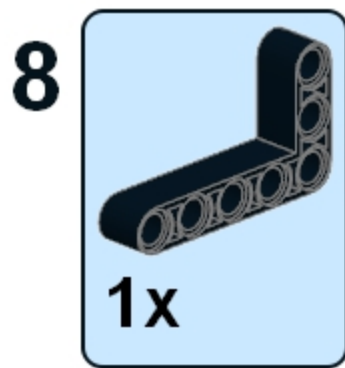
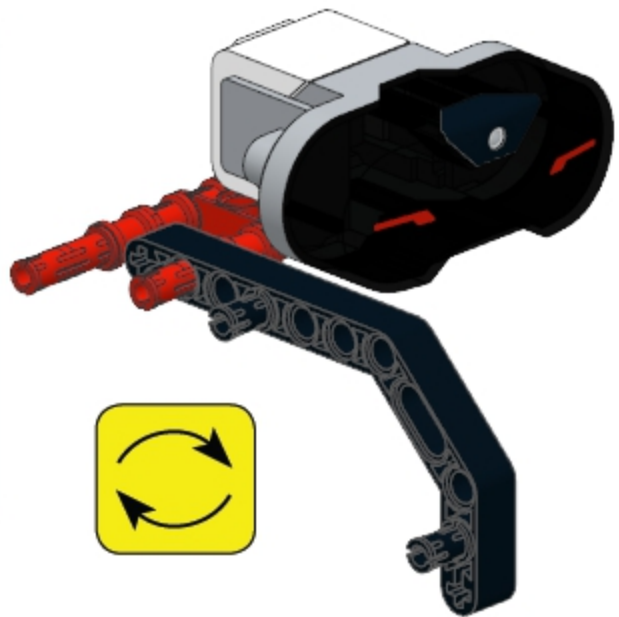
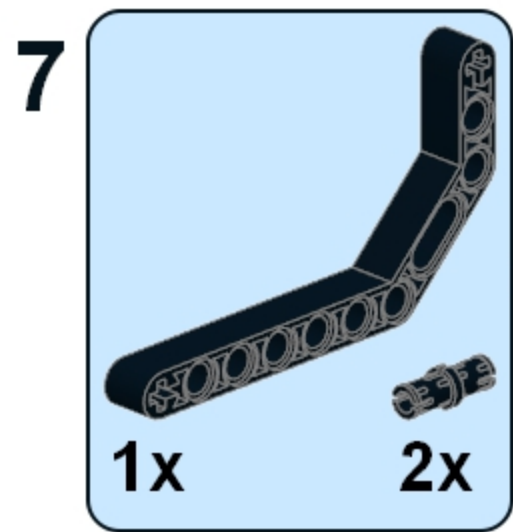
3  
1x  
1x  
7  
1x 4x



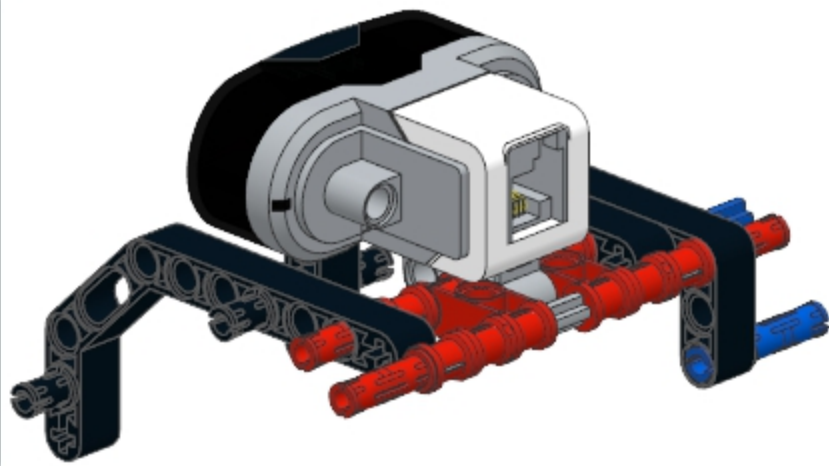
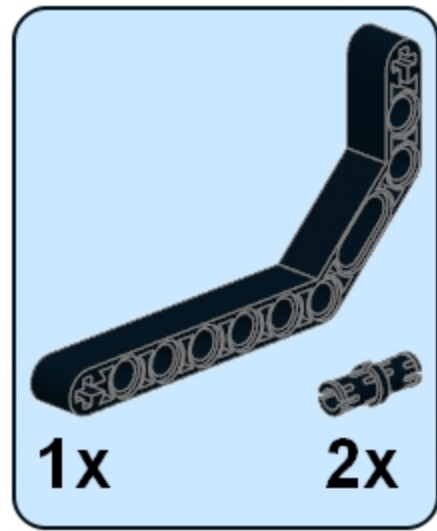
1 2 3 4



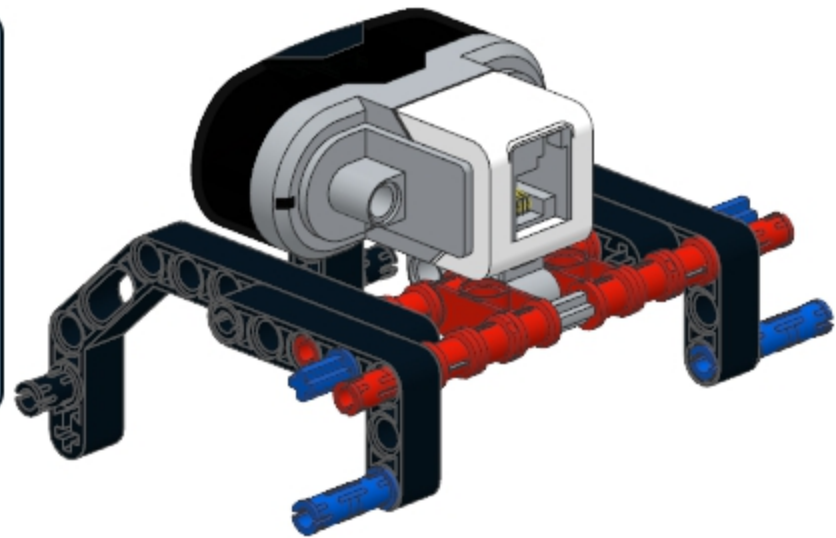
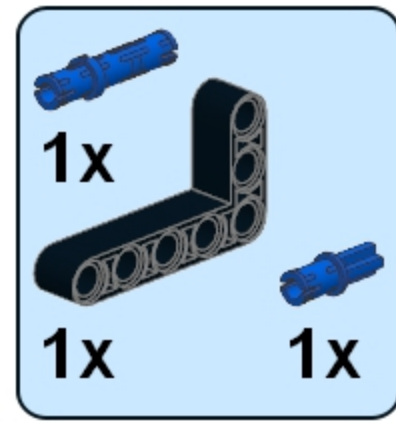


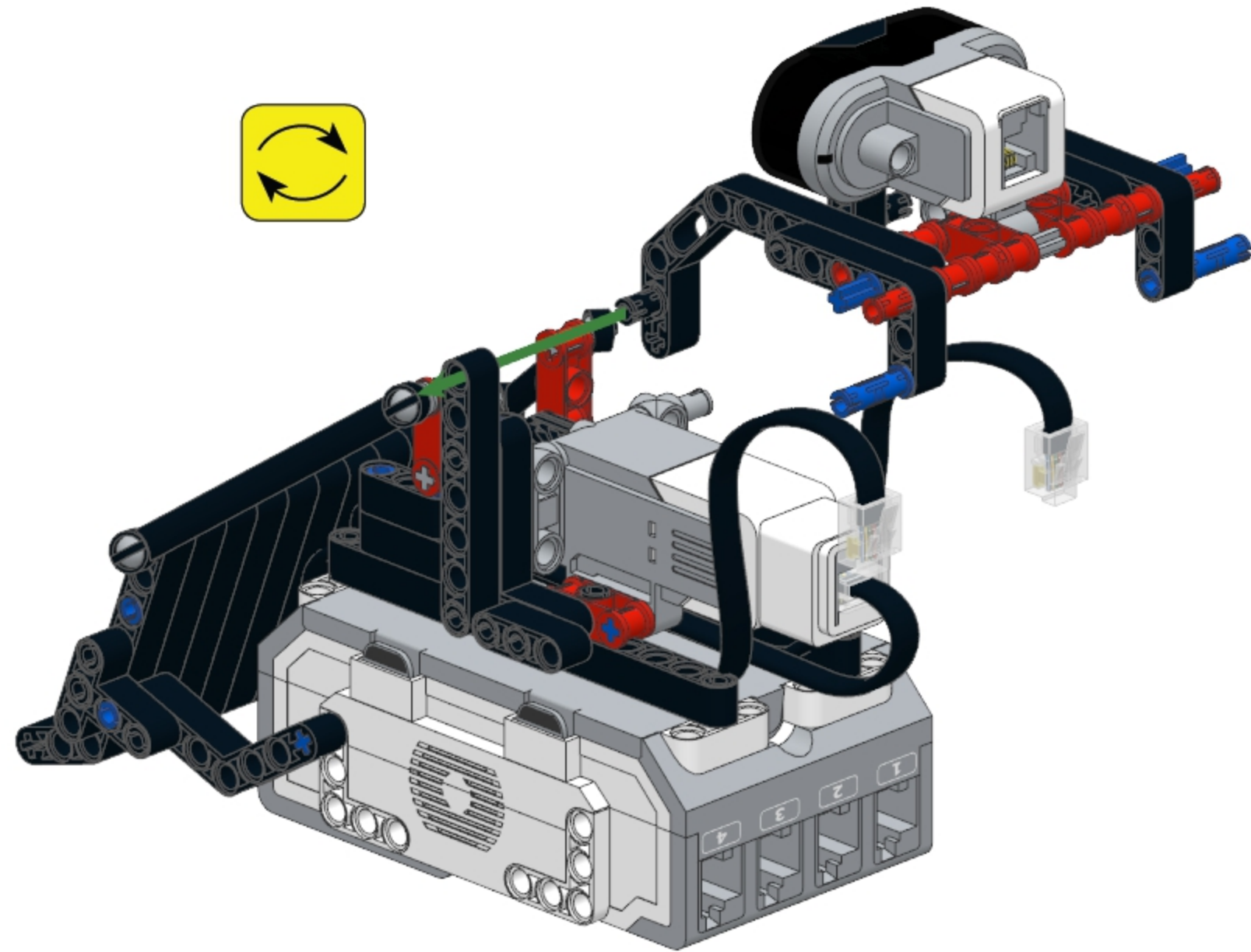


10

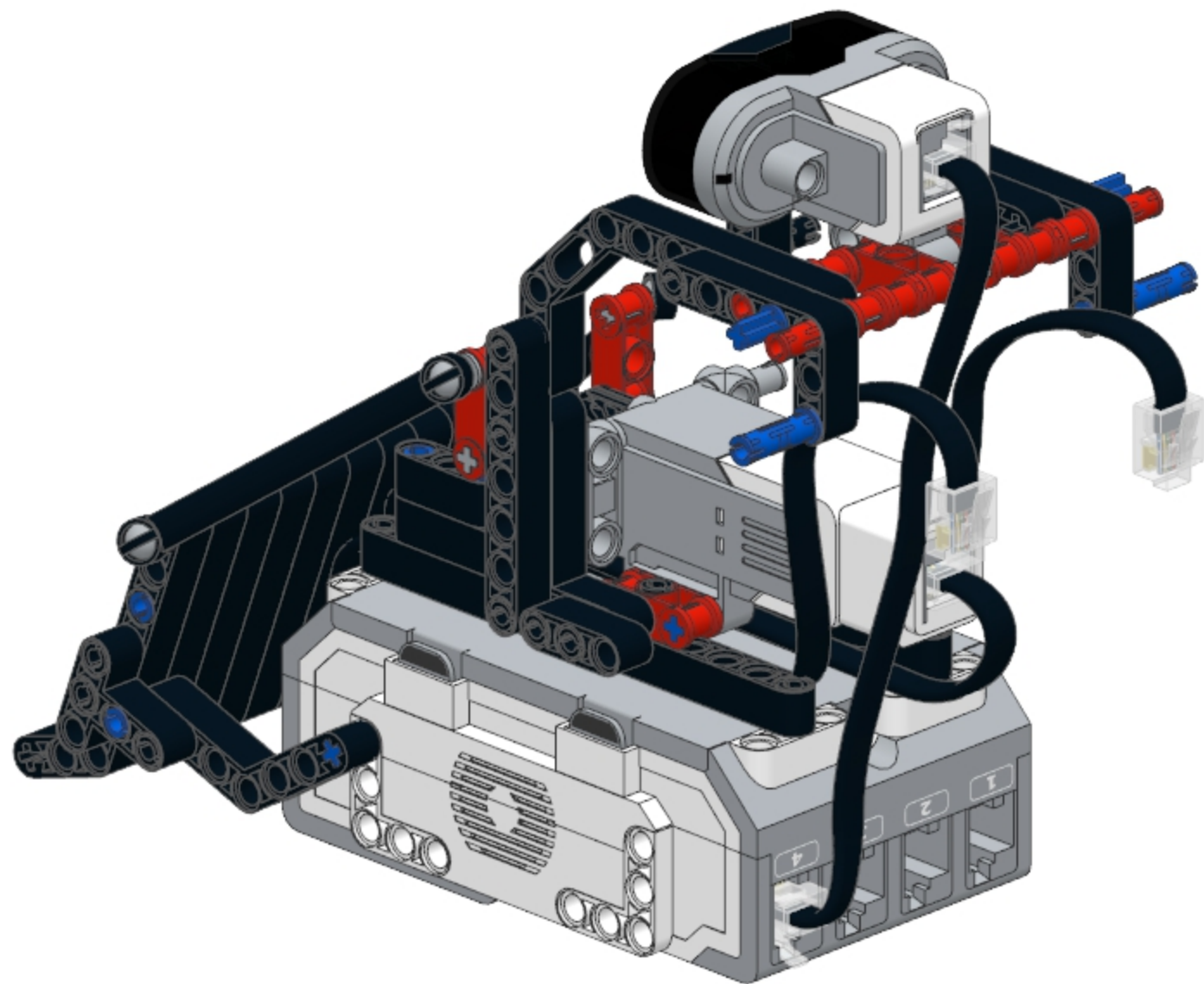
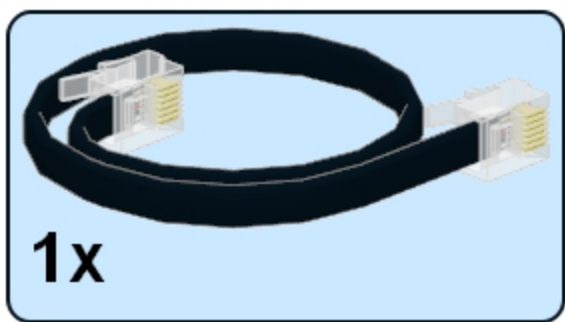


11

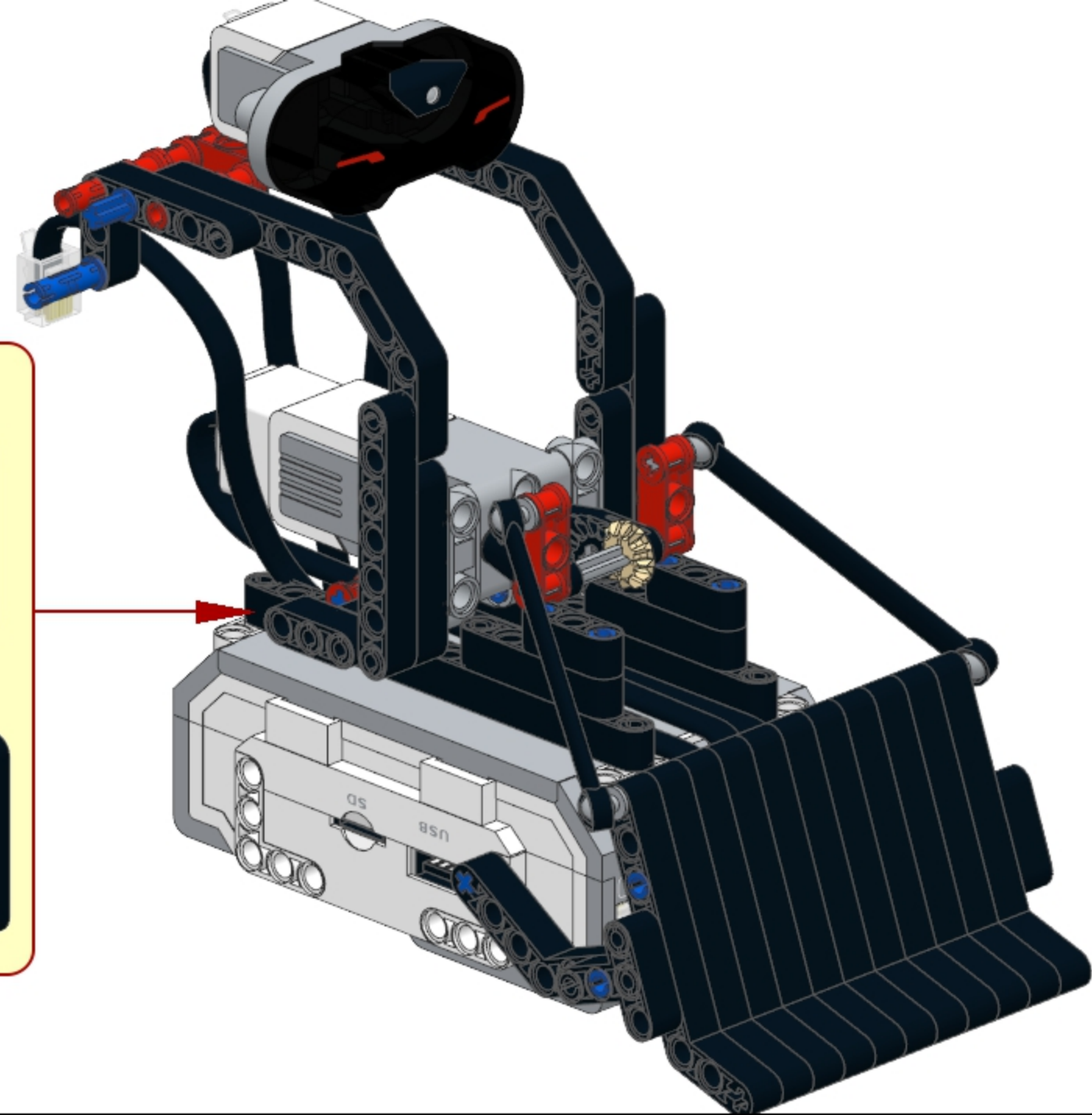
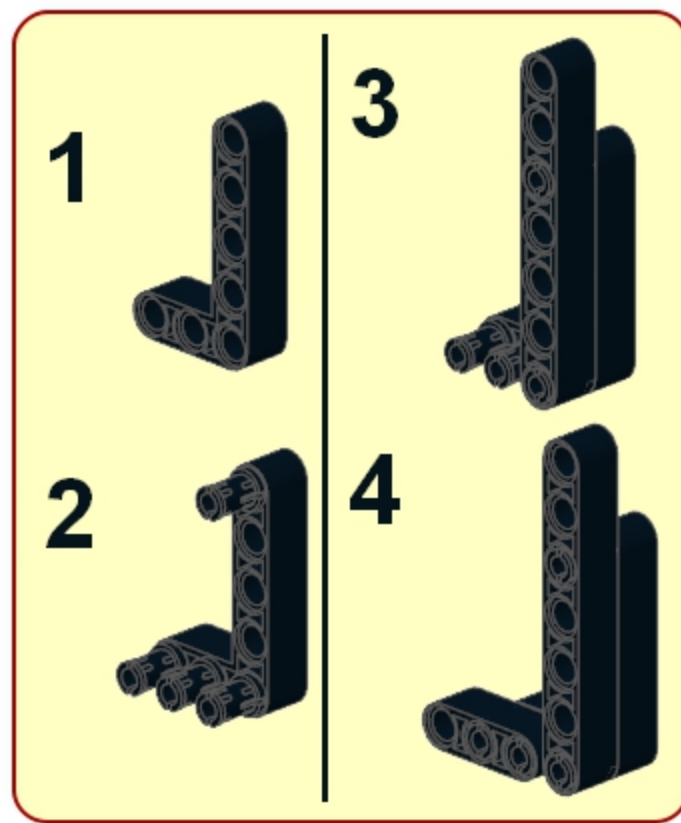
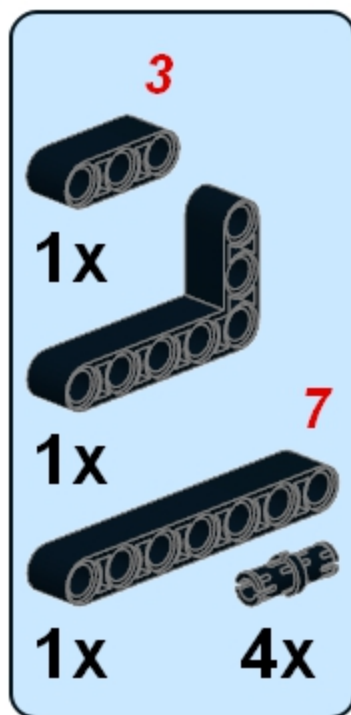


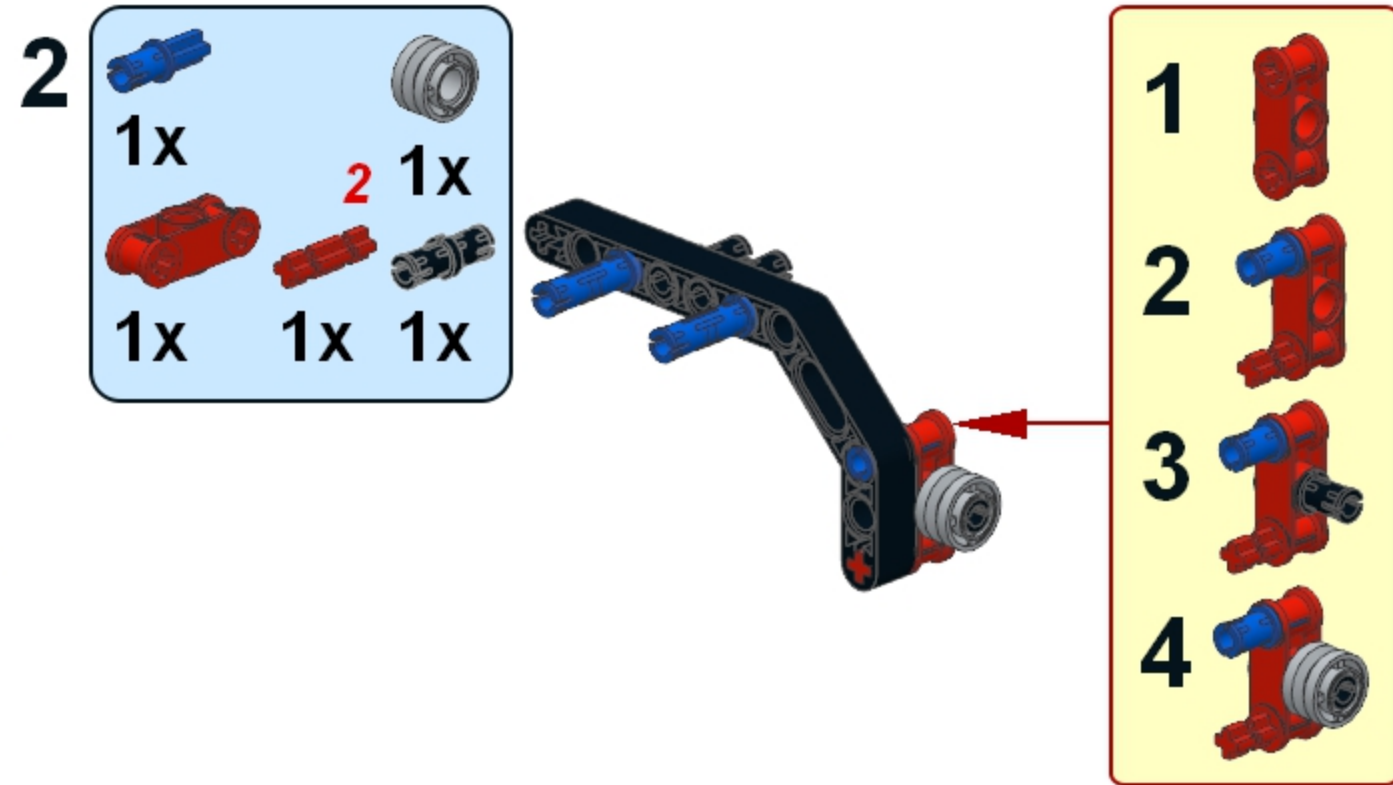
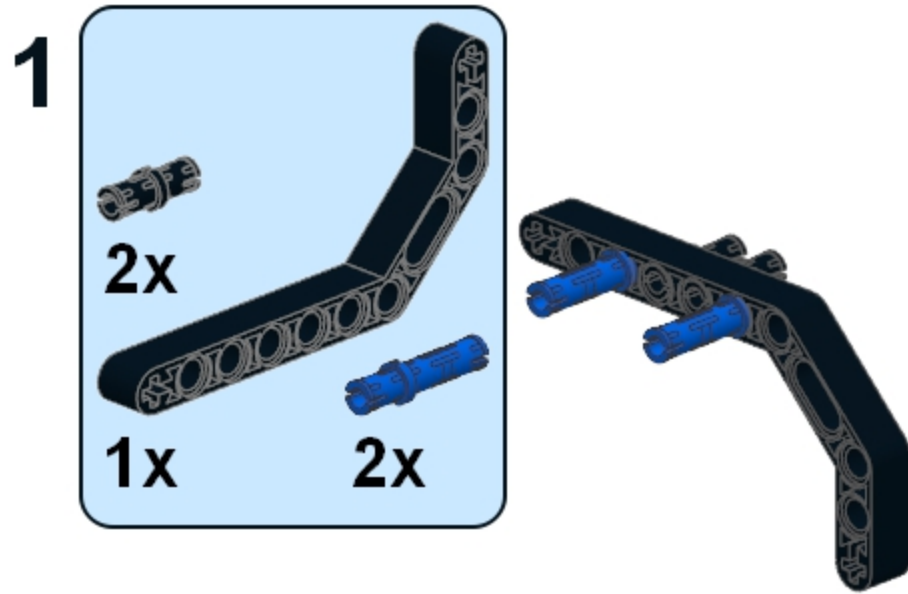


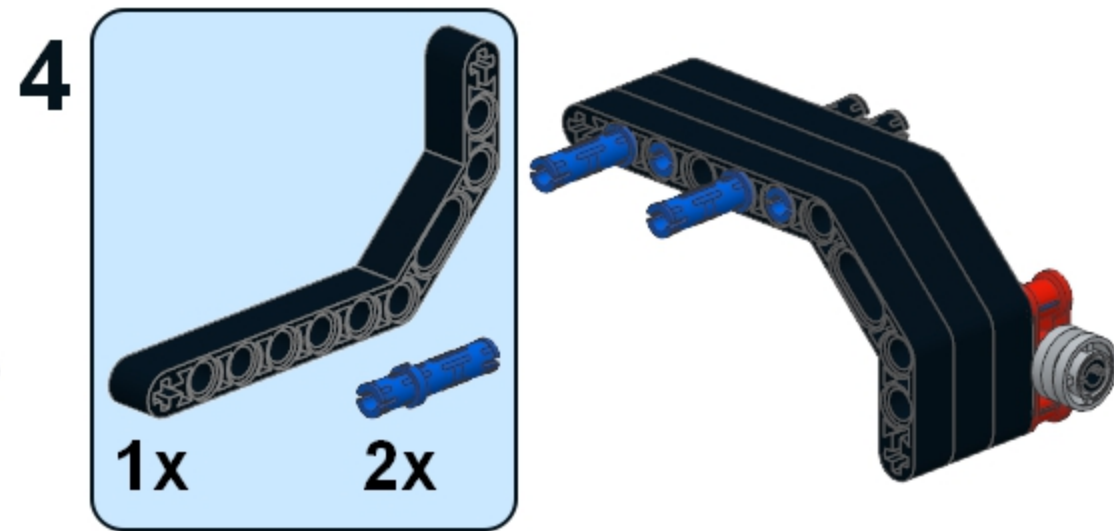
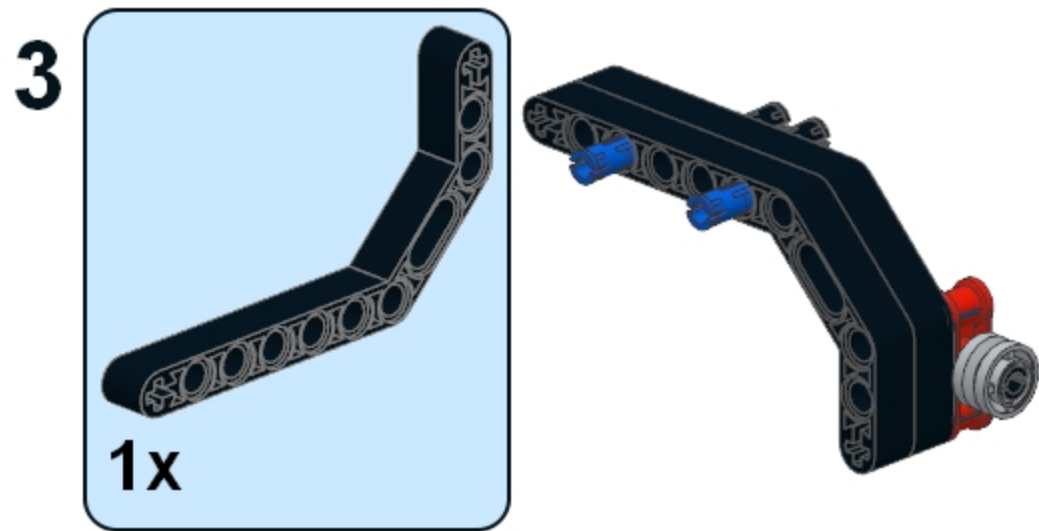
17



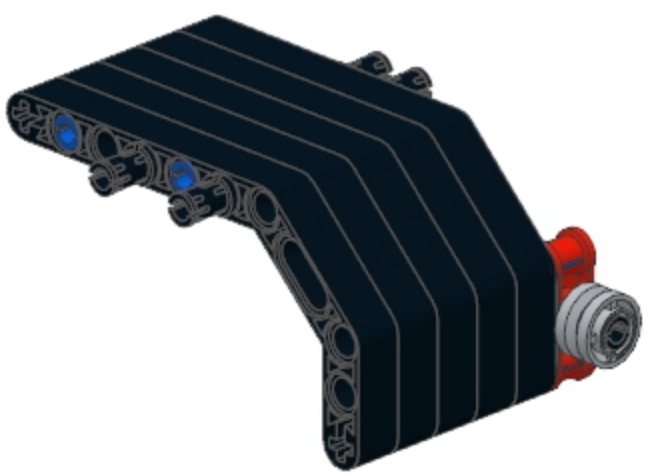
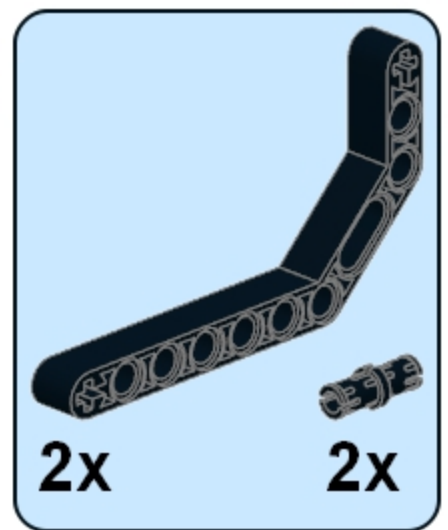
# 18



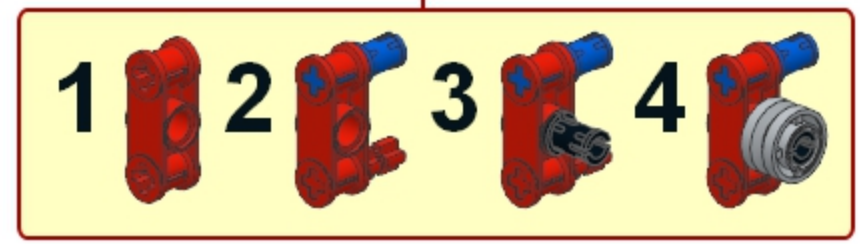
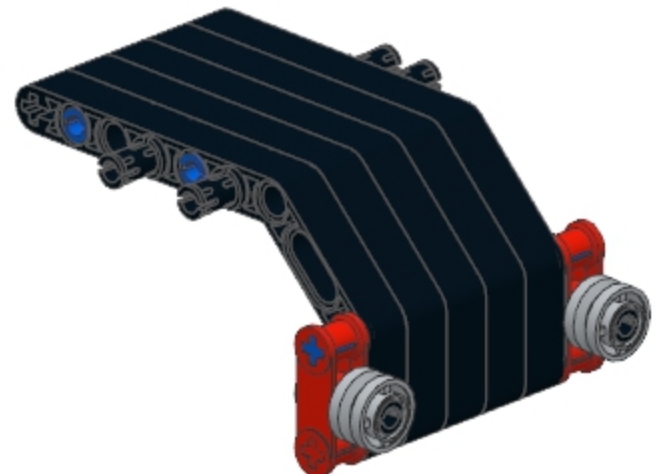




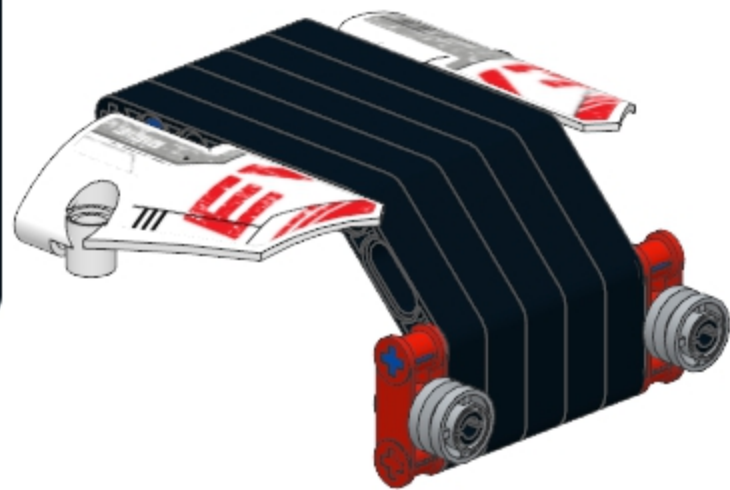
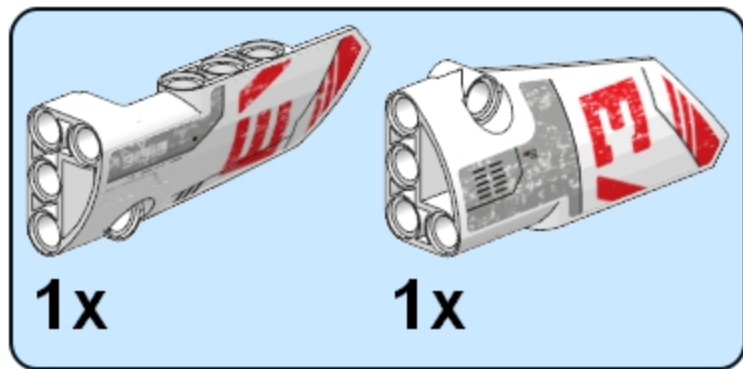
5



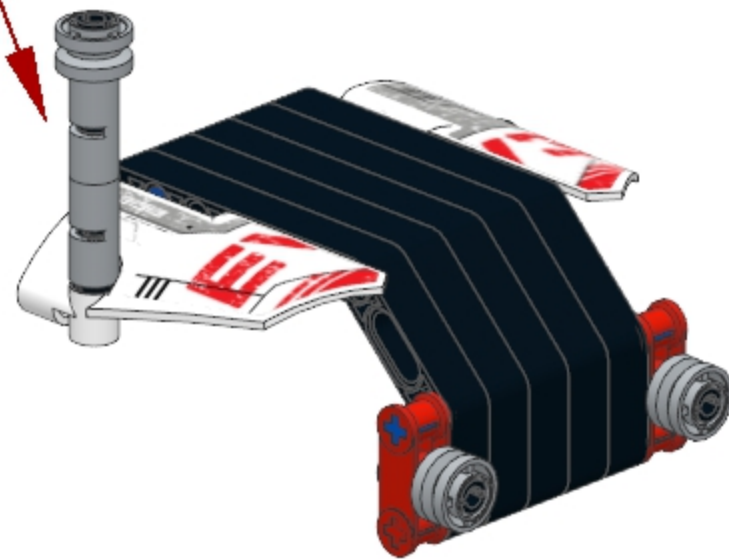
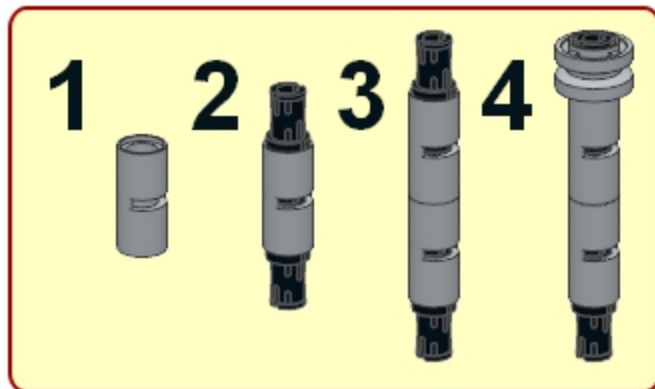
6



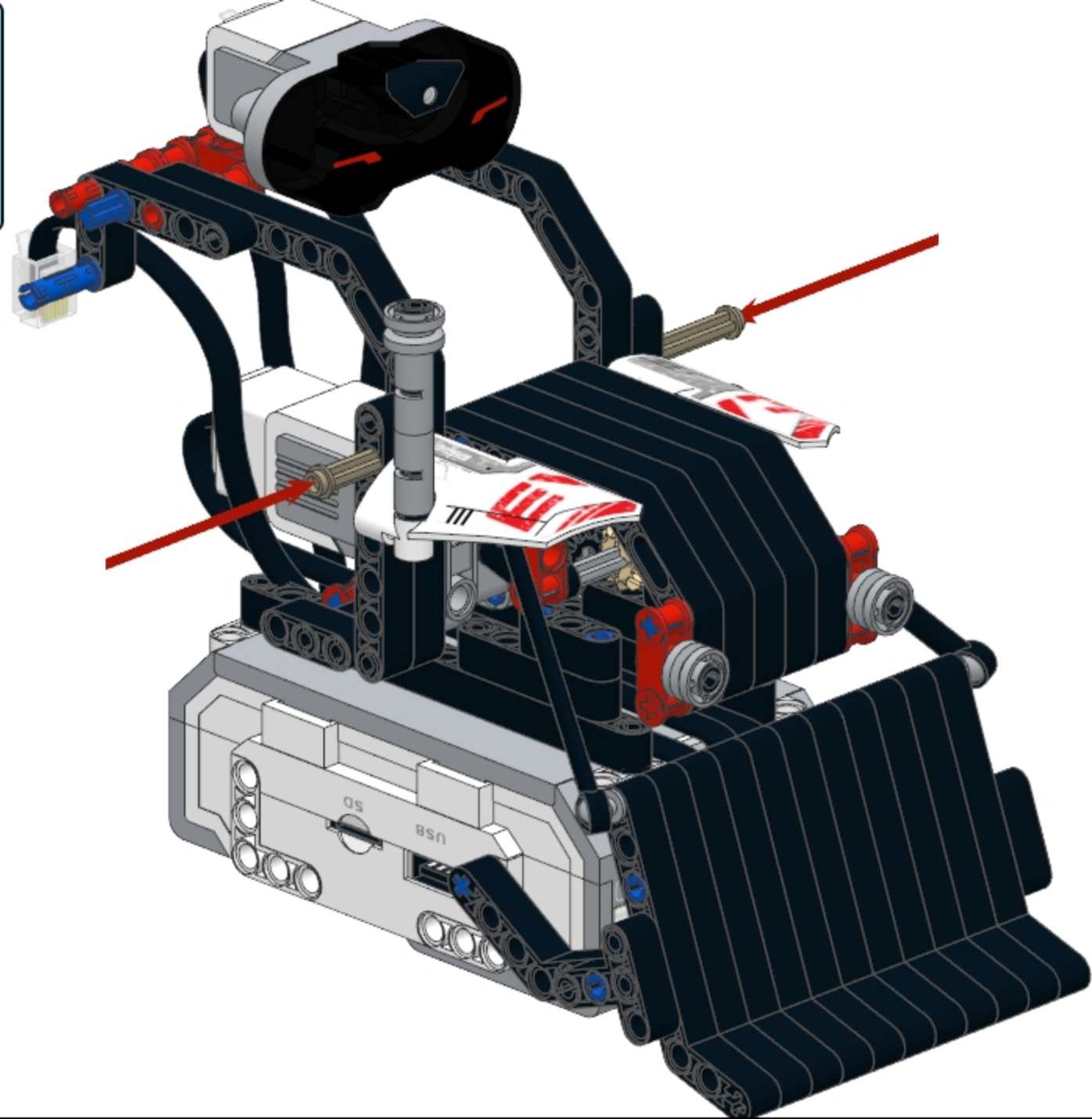
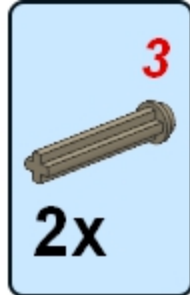
7



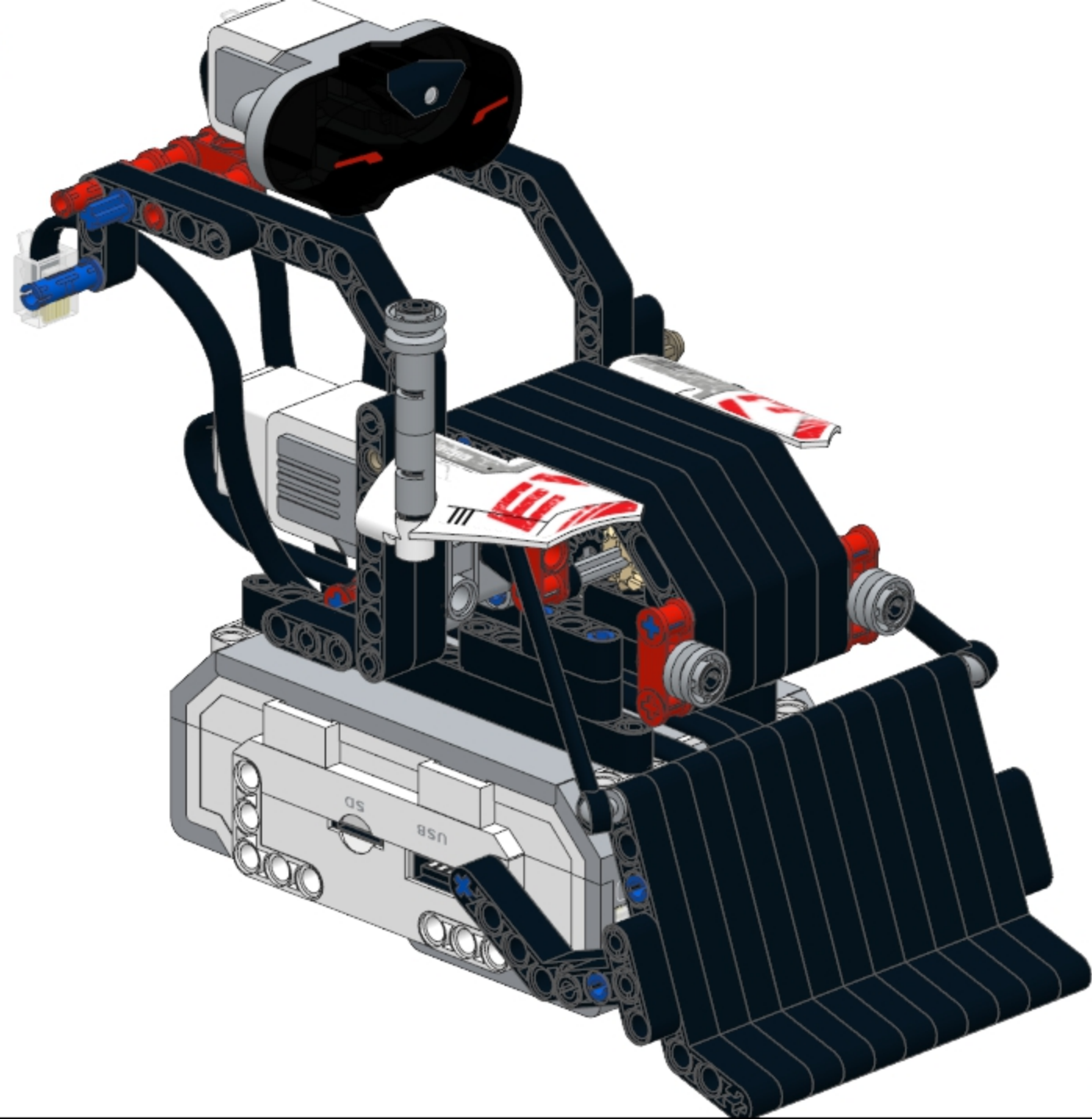
8

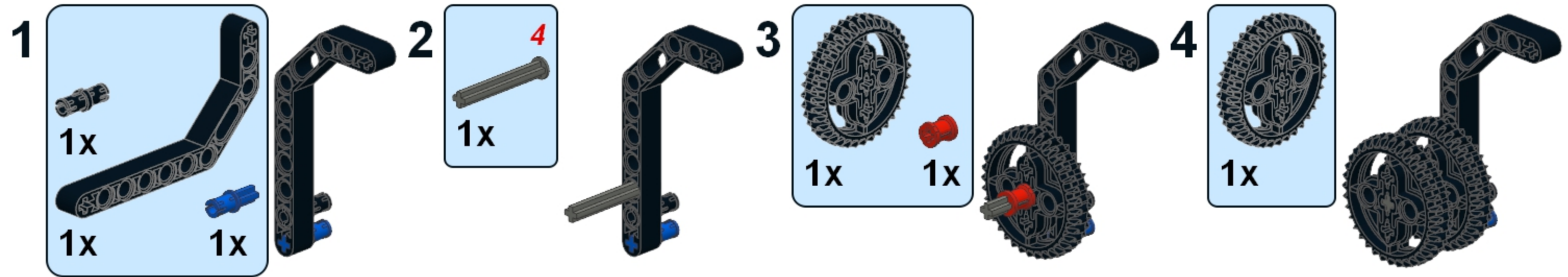


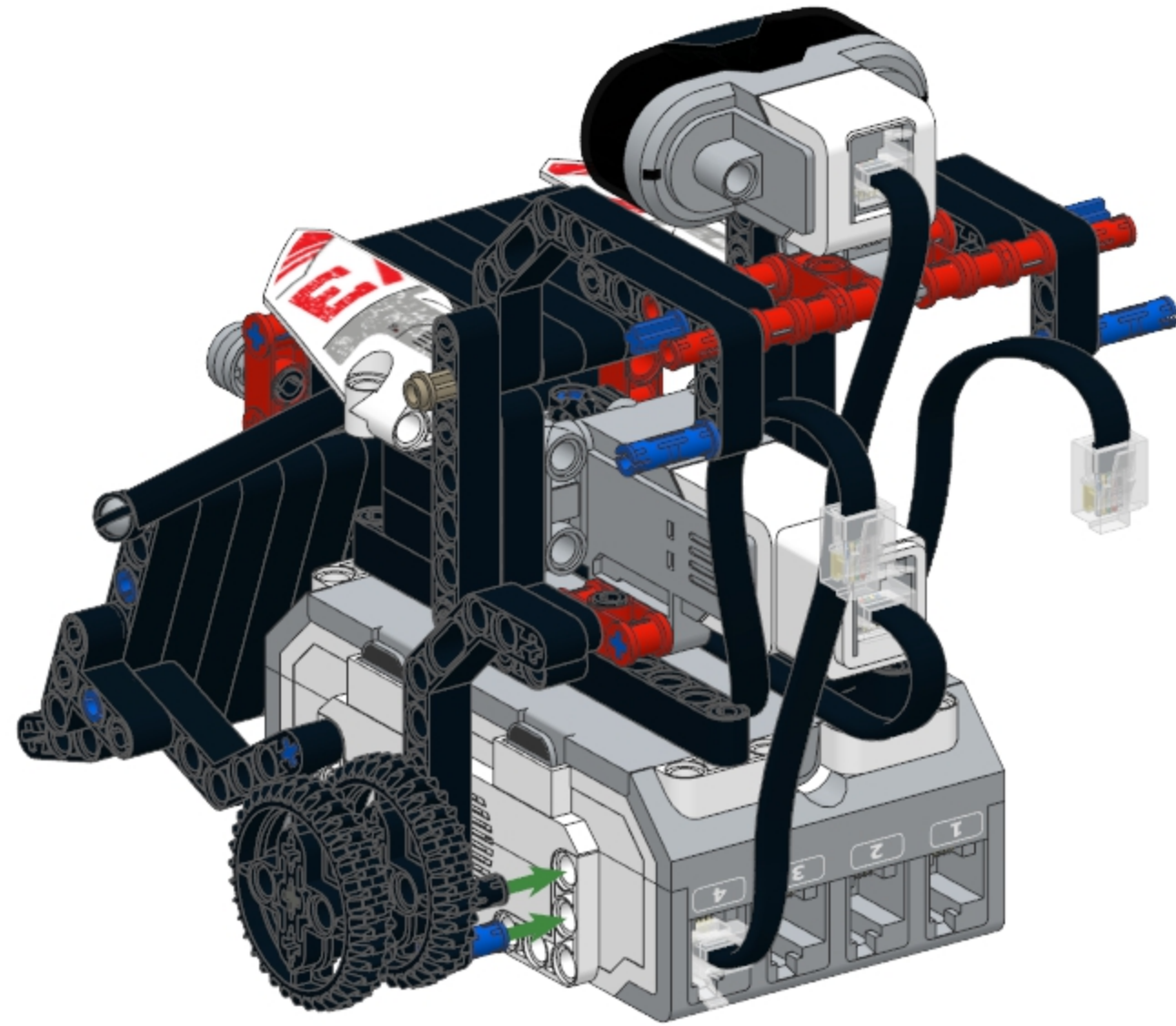
19



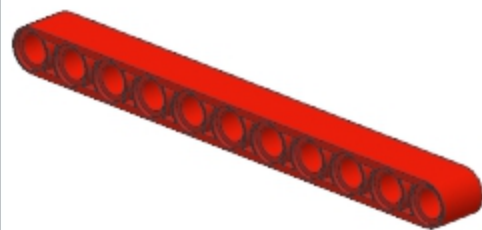
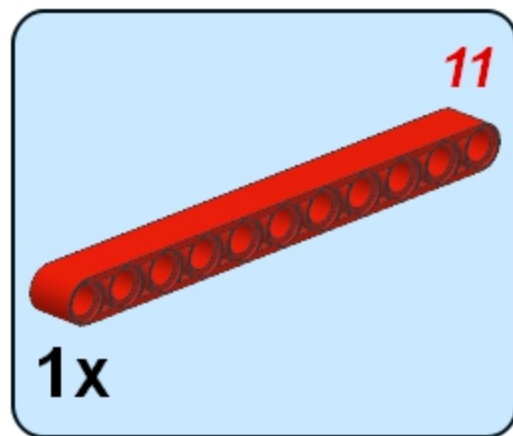
20



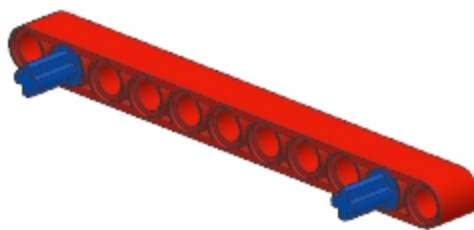




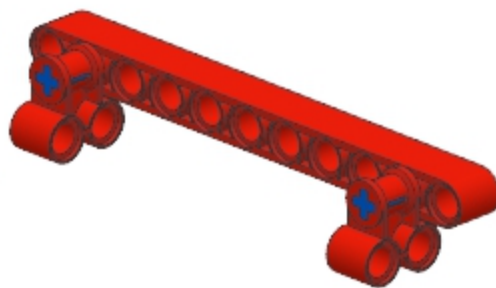
**1**



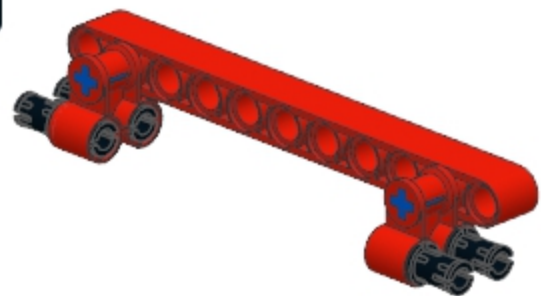
**2**



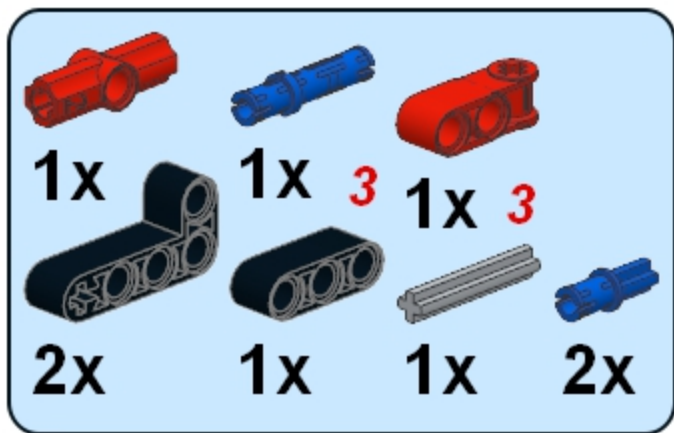
**3**



4



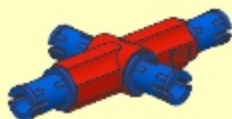
5



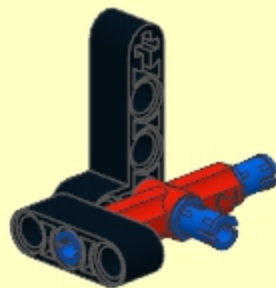
1



2



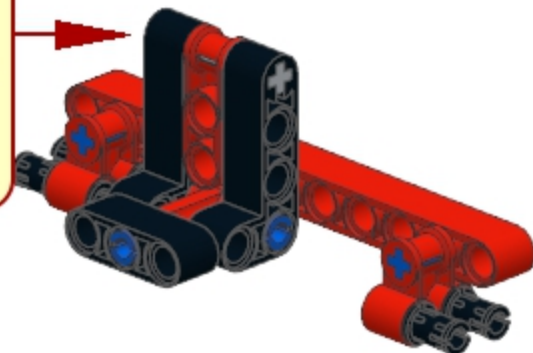
3



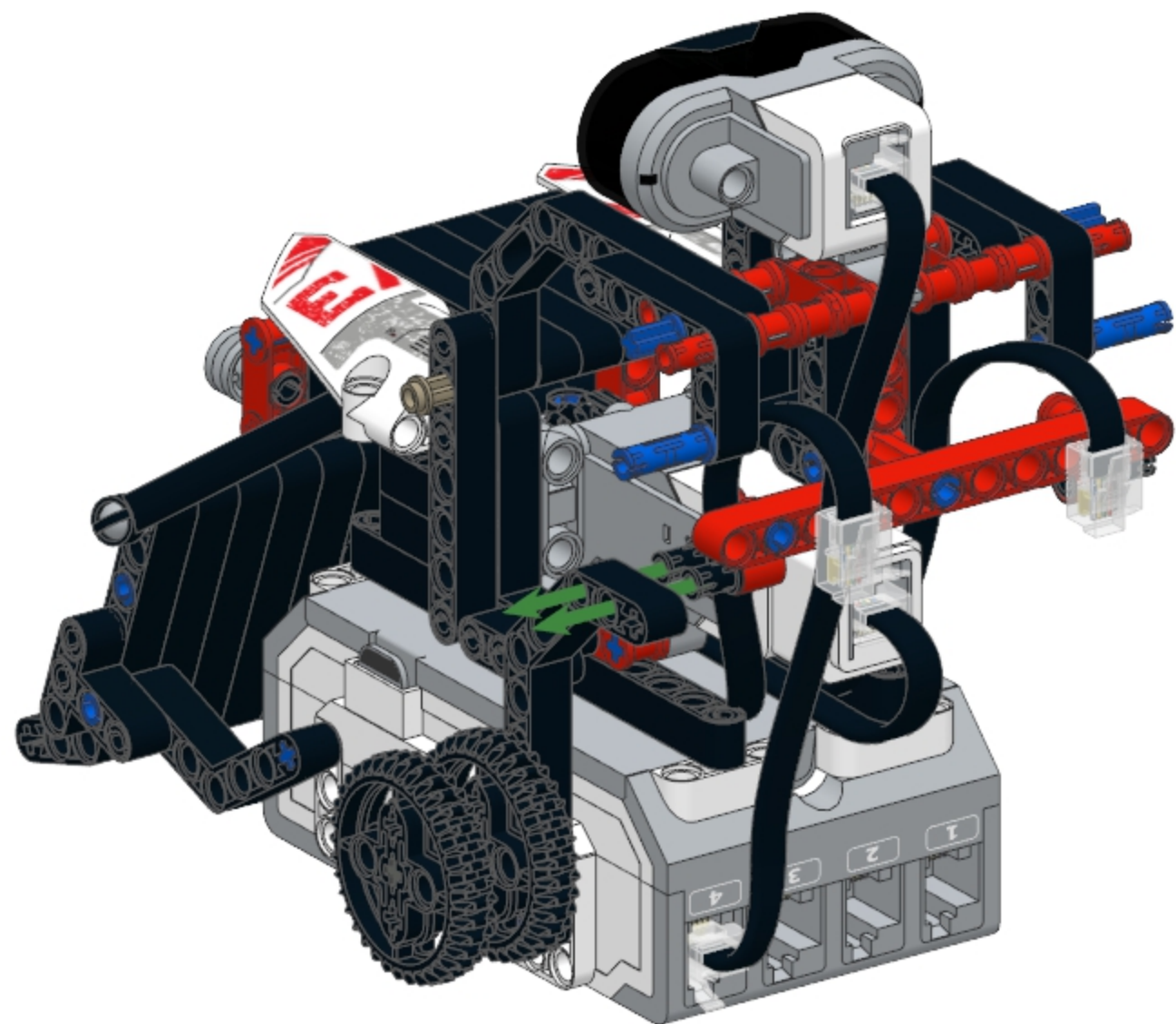
4



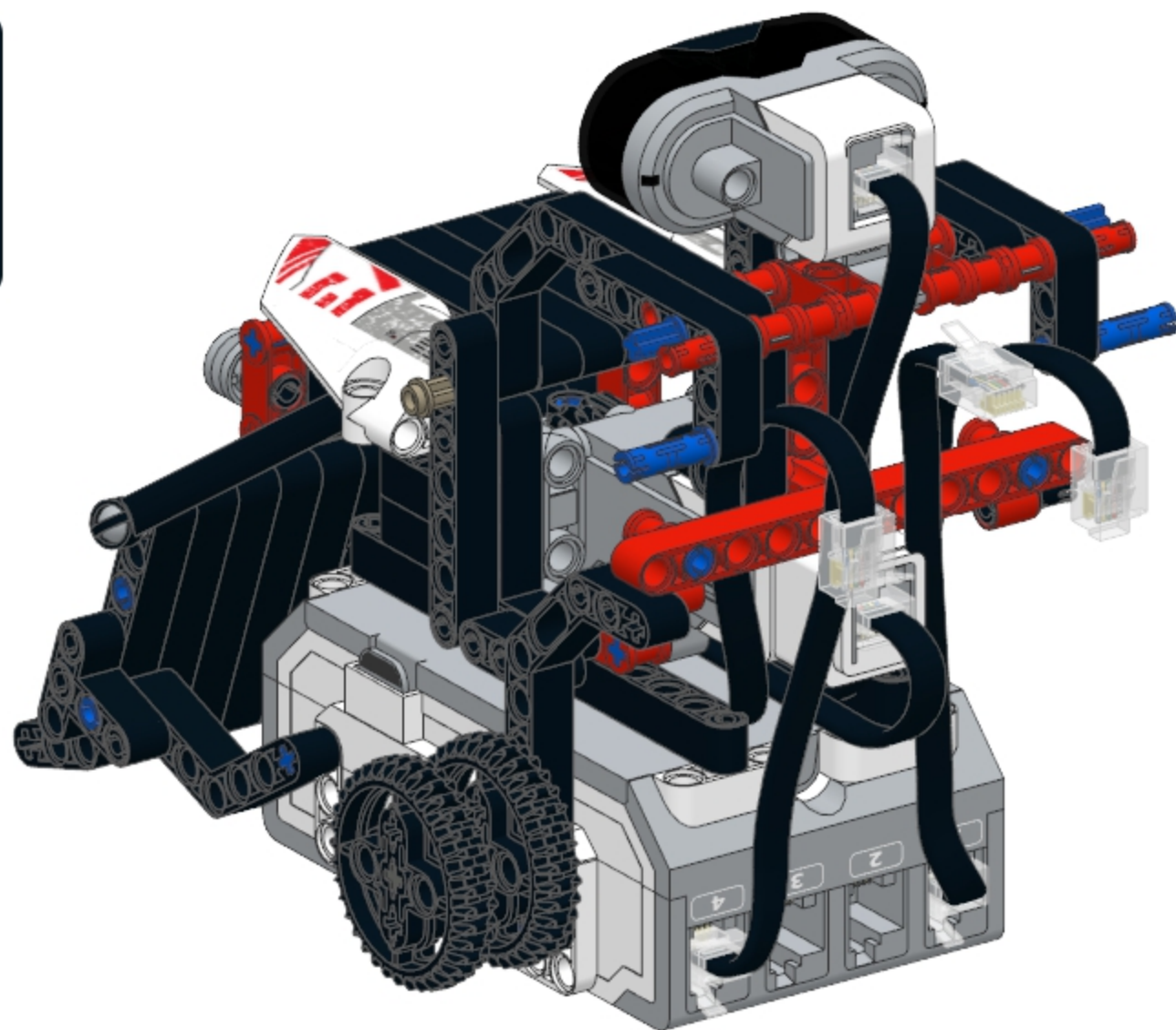
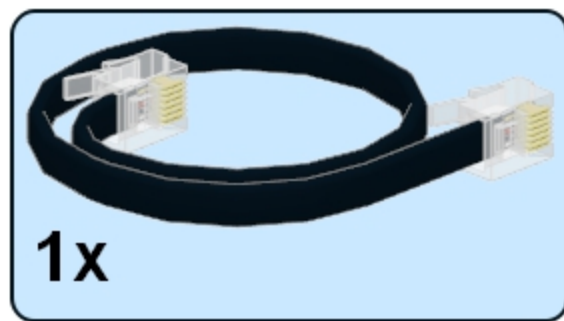
5



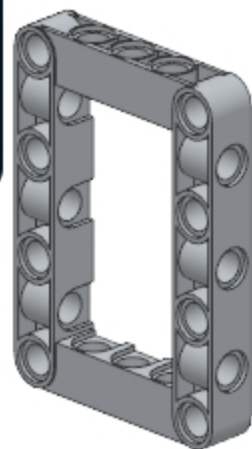
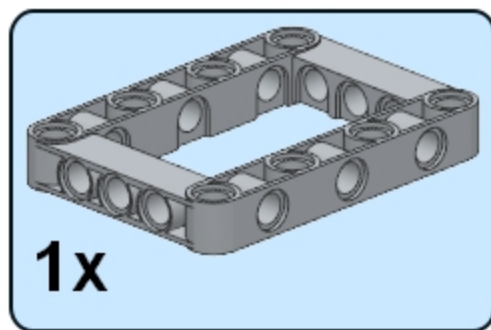
22



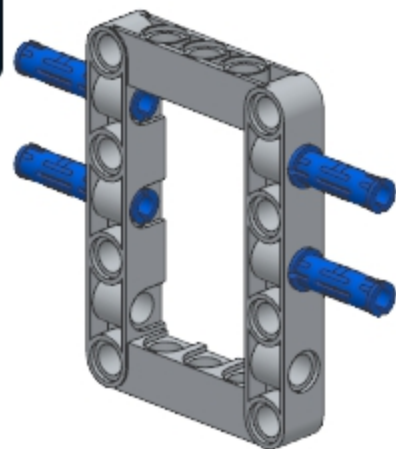
23



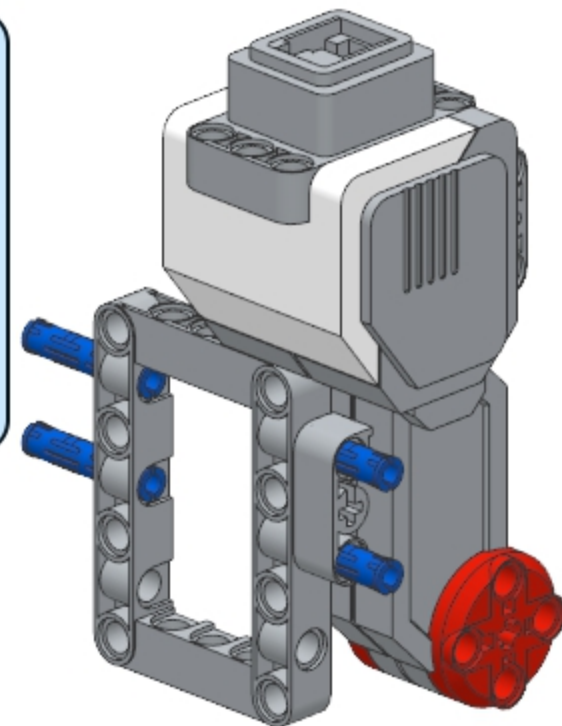
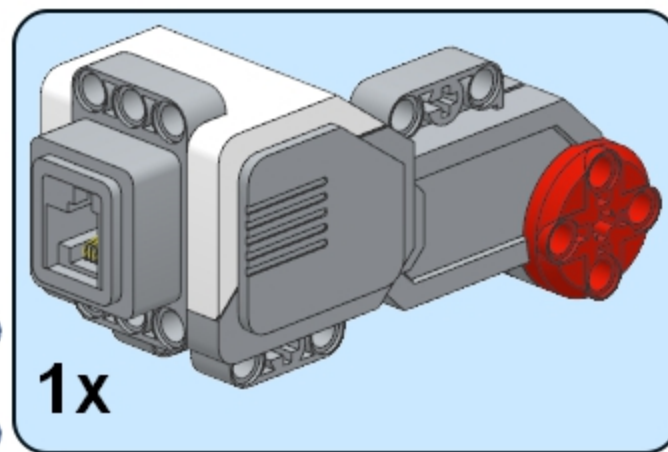
**1**



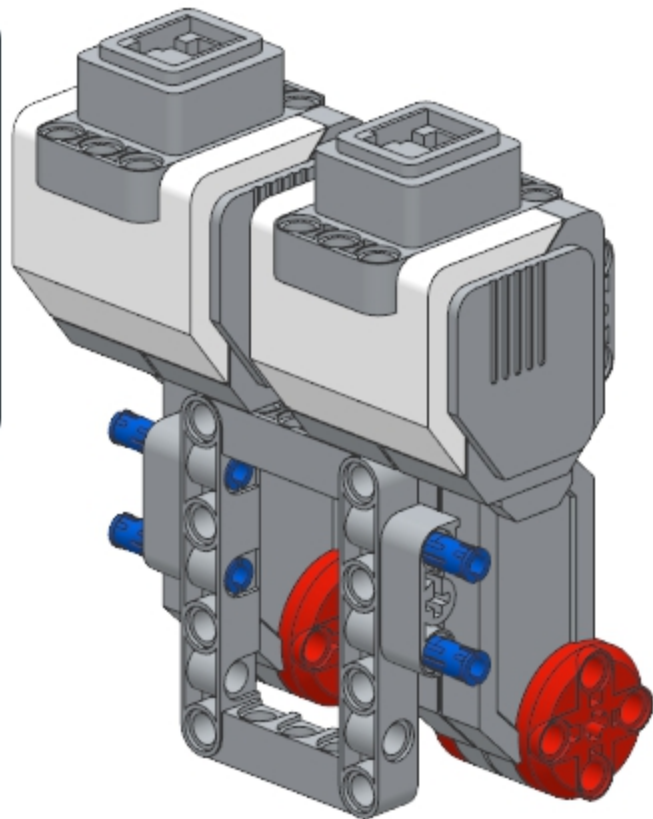
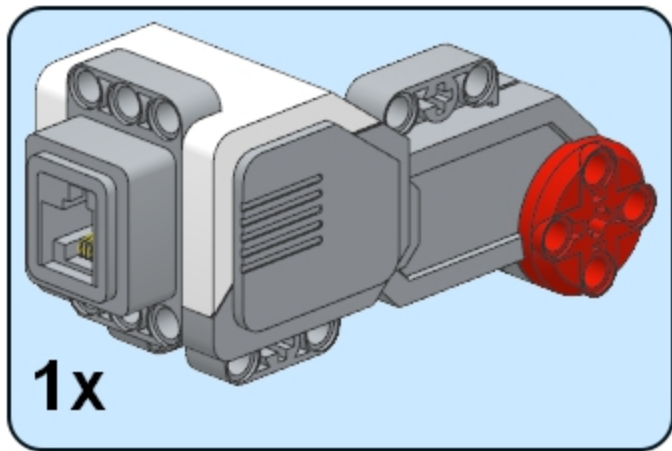
**2**



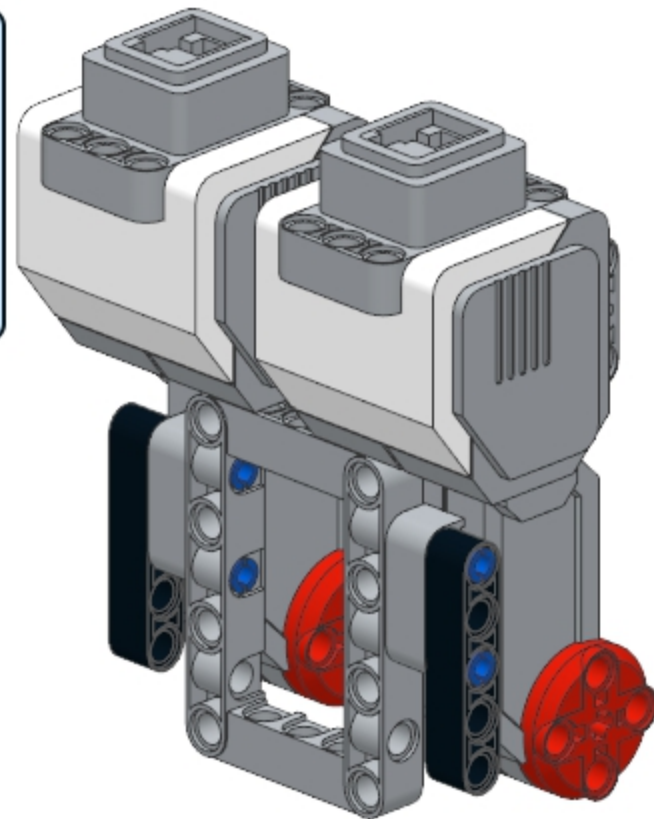
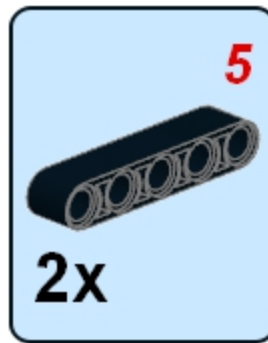
**3**



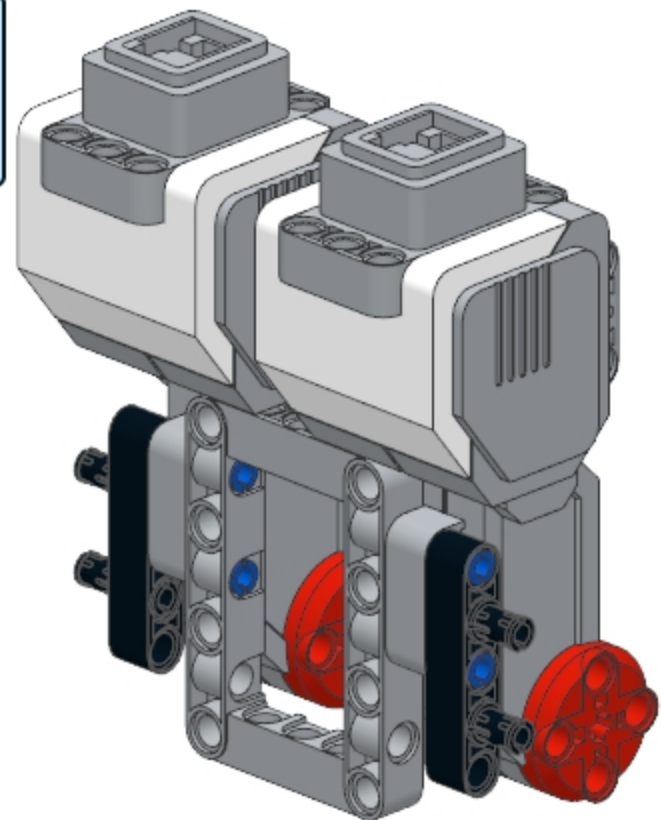
4



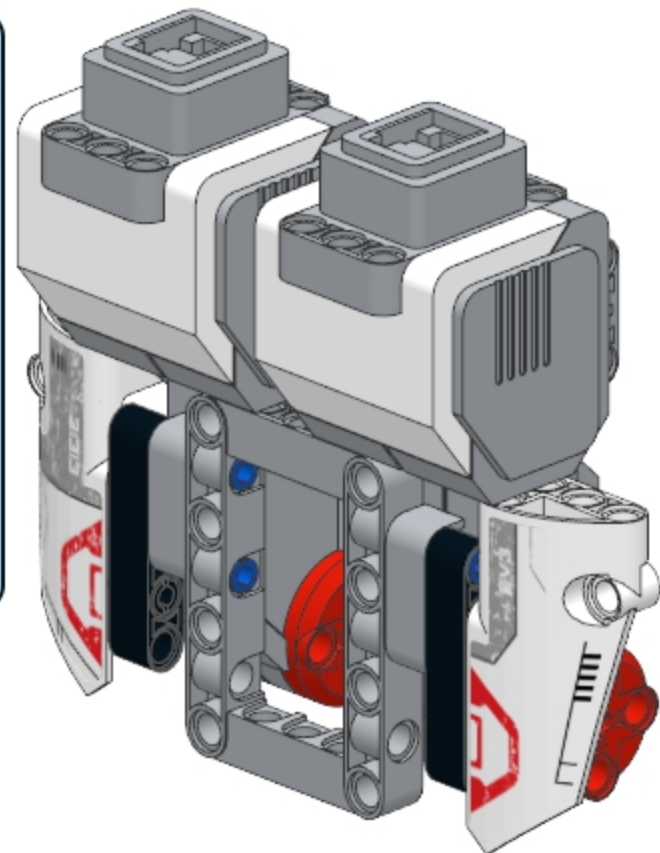
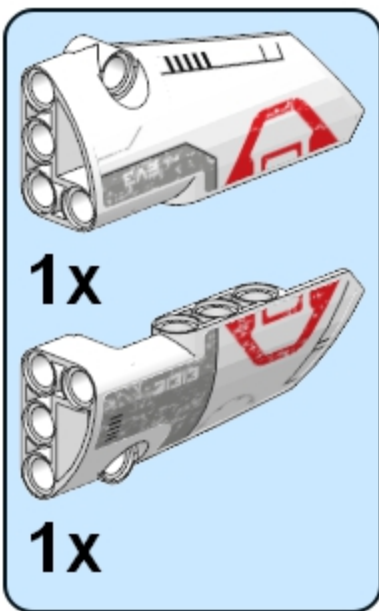
5



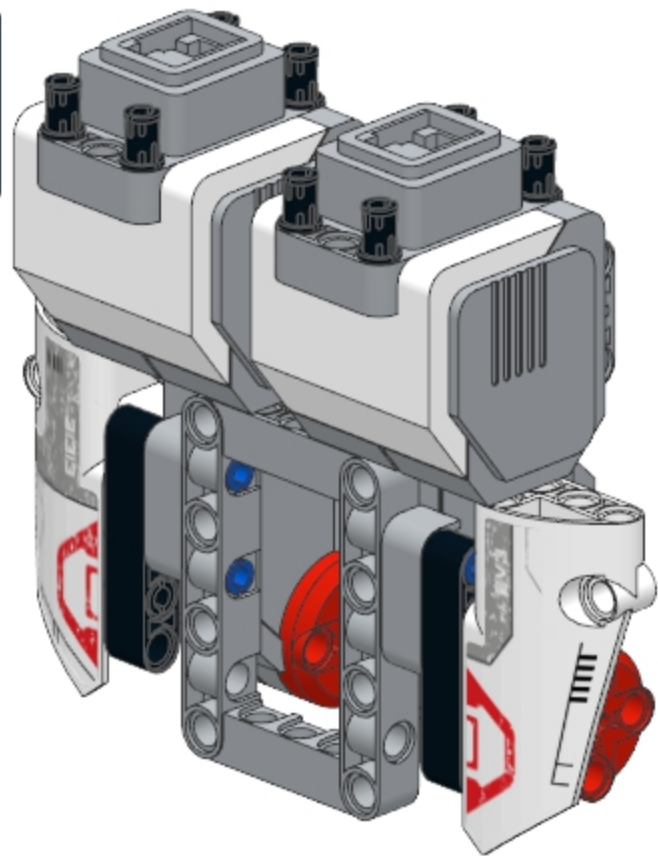
6



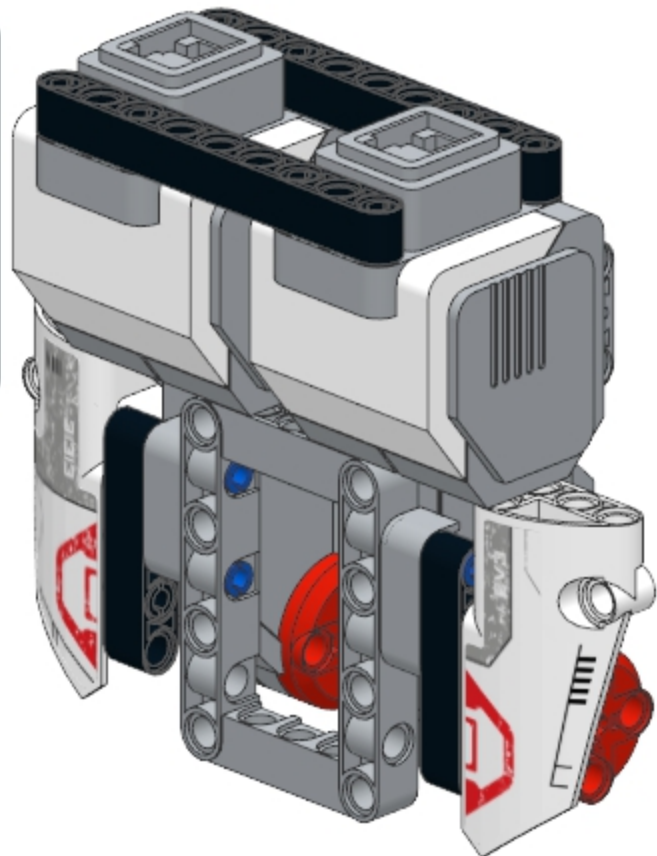
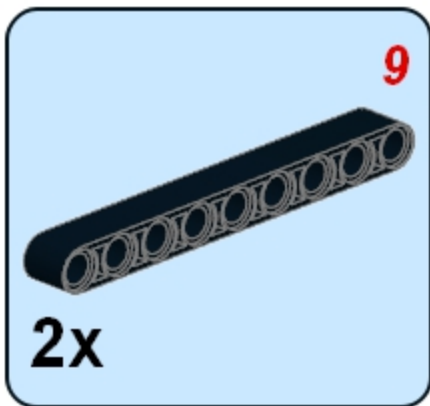
7



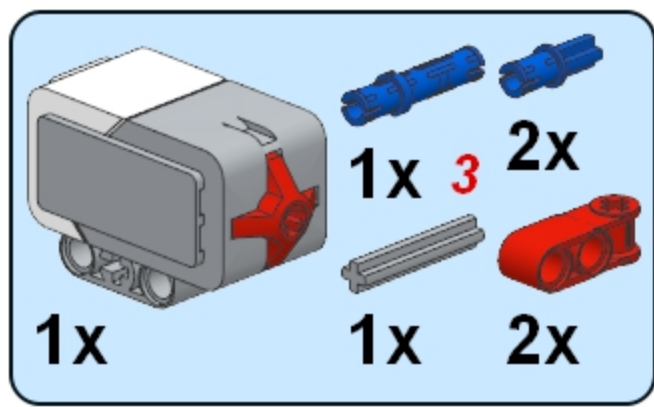
8

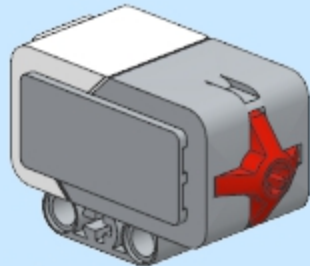


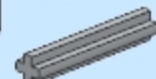



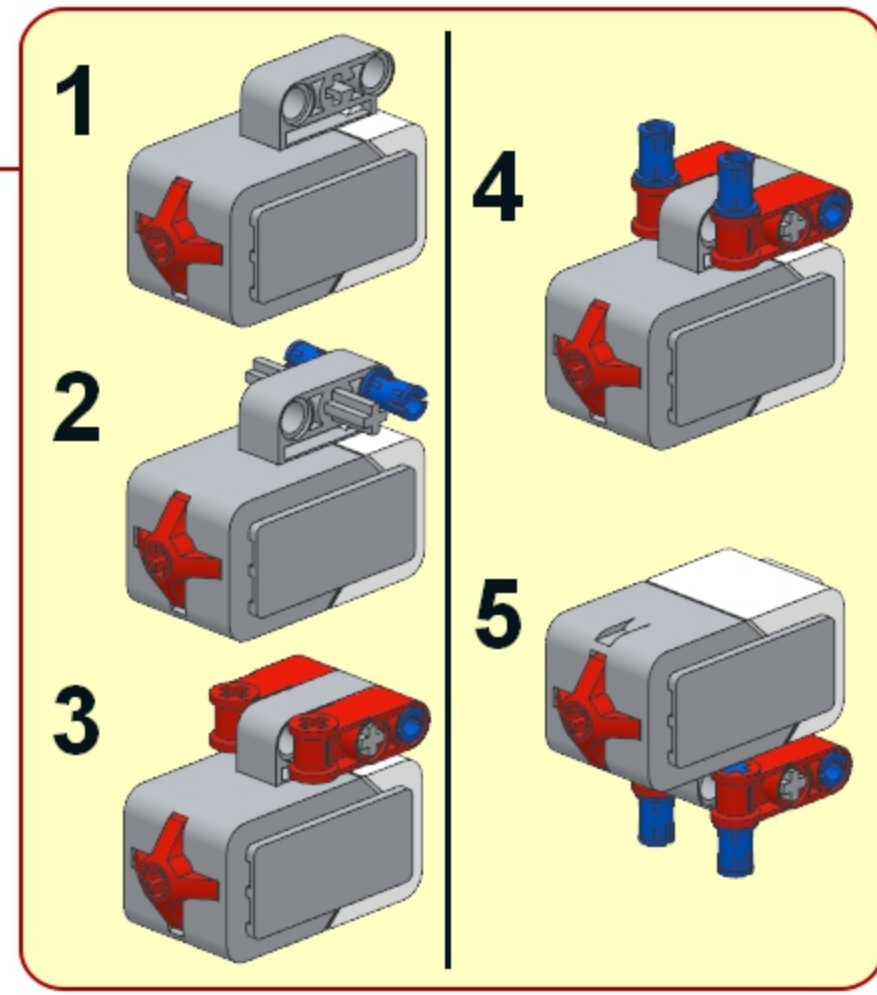
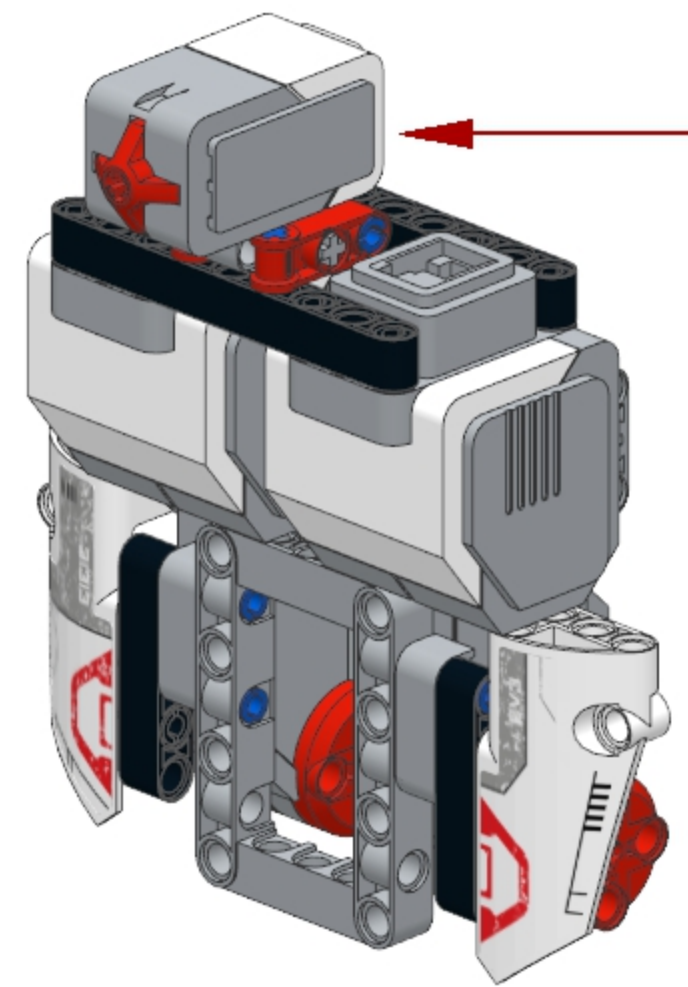
9

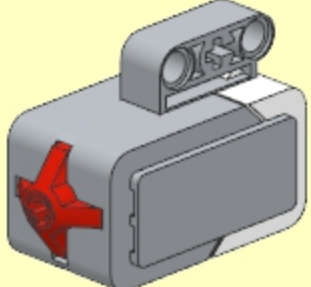
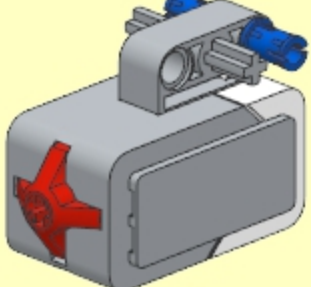
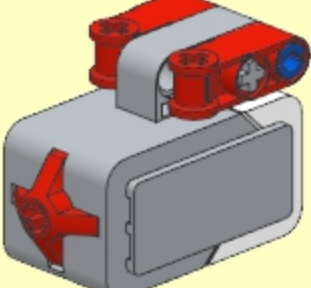
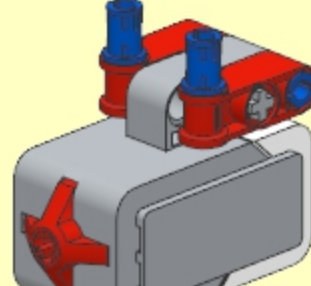
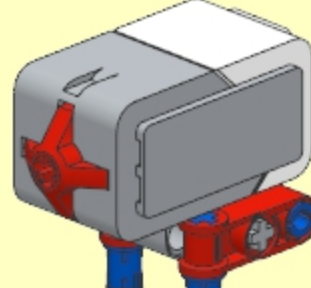


# 10

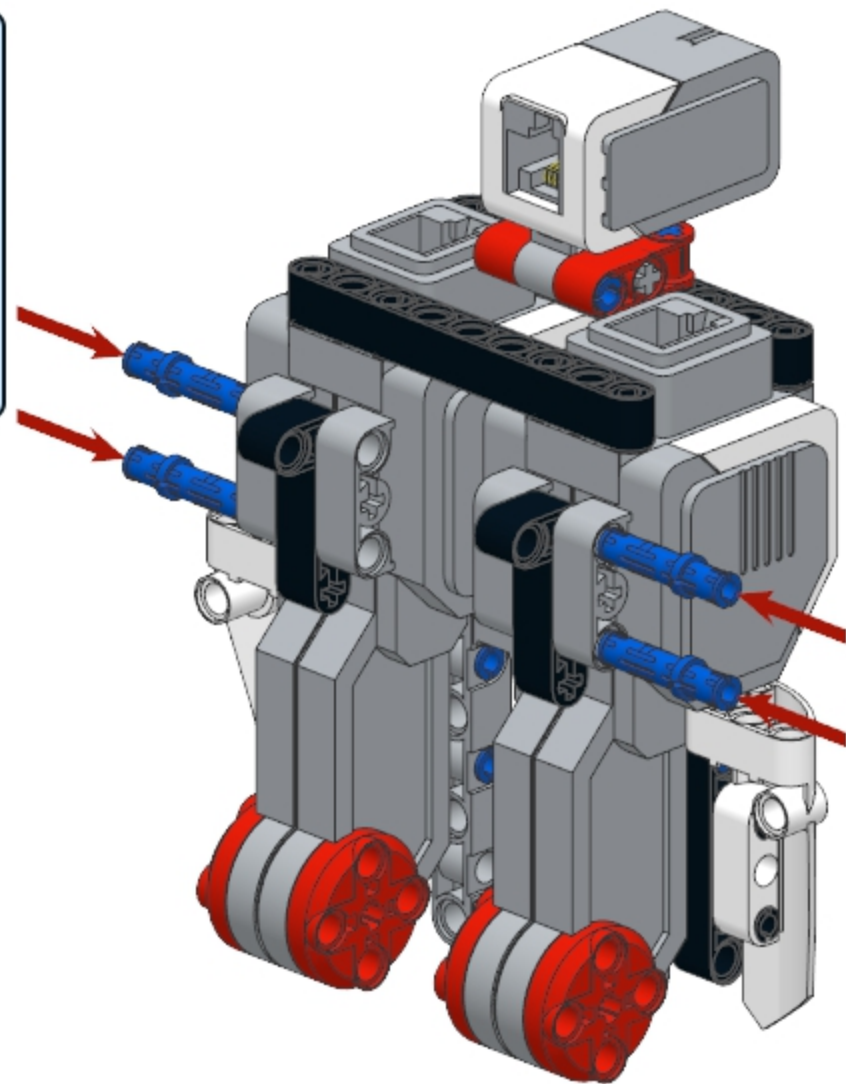


1x  1x  2x   
1x  2x 

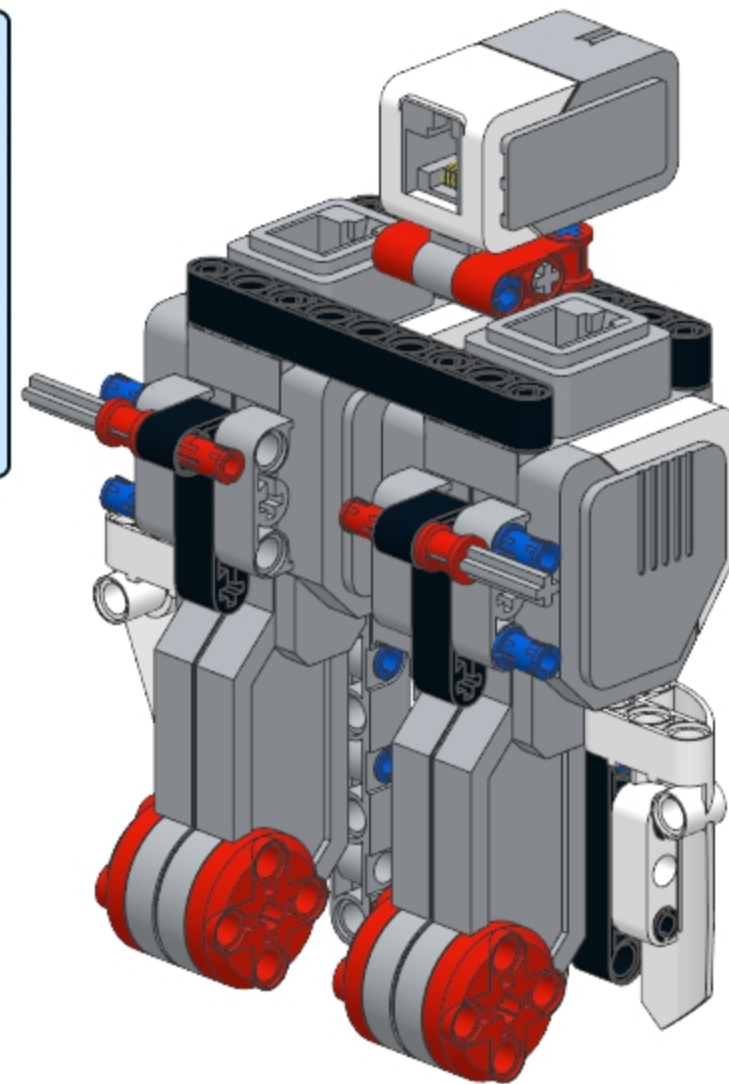
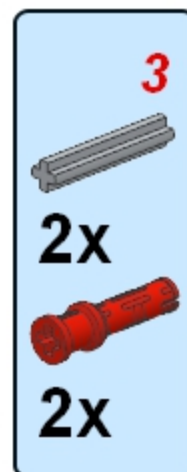


- 1 
- 2 
- 3 
- 4 
- 5 

11

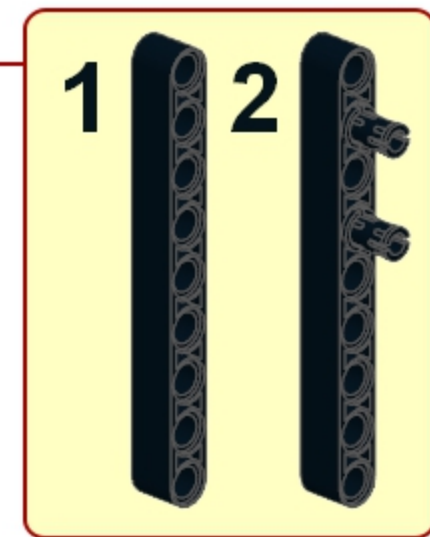
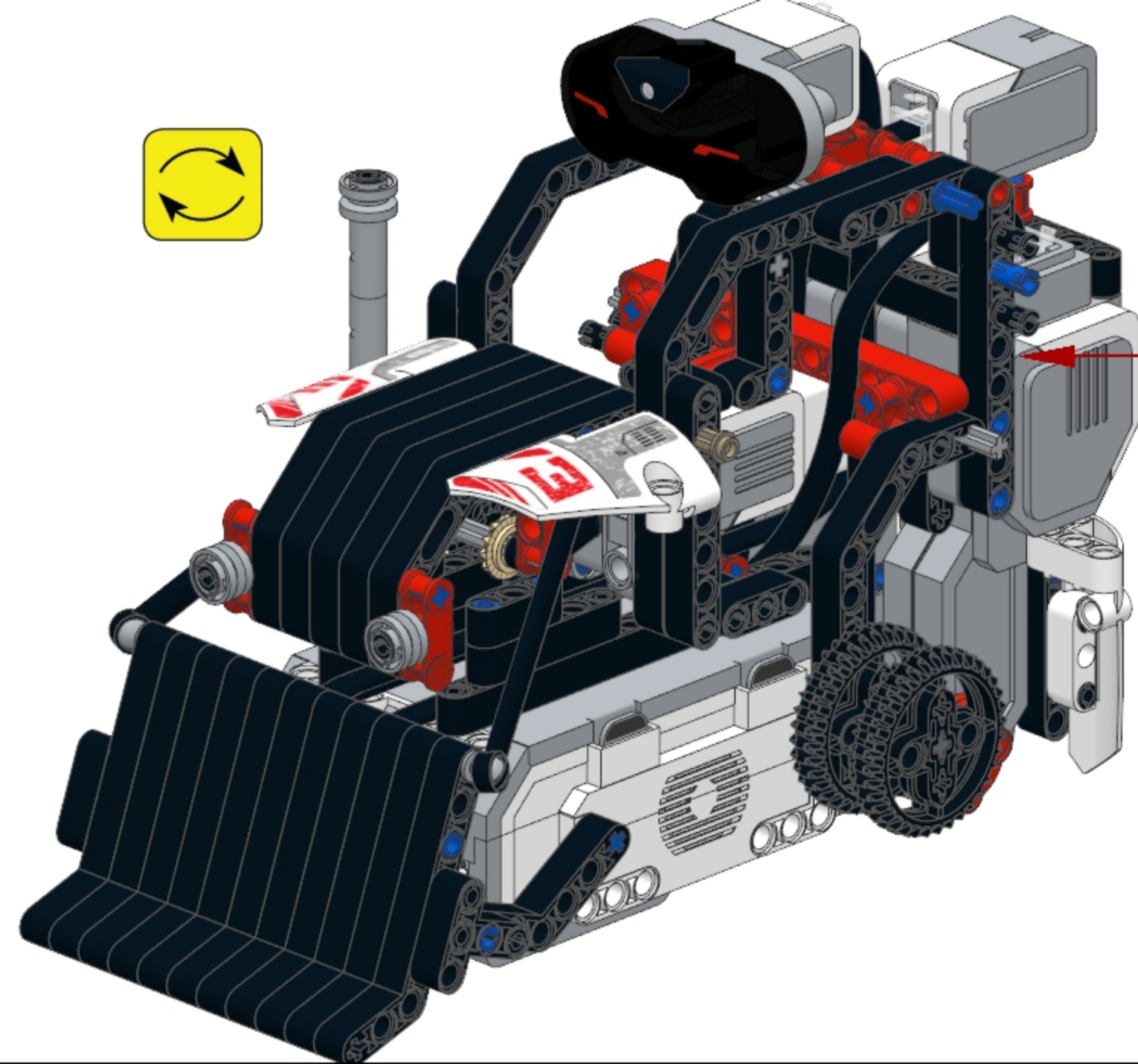
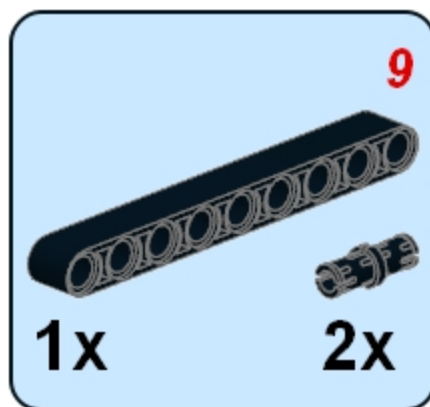


12

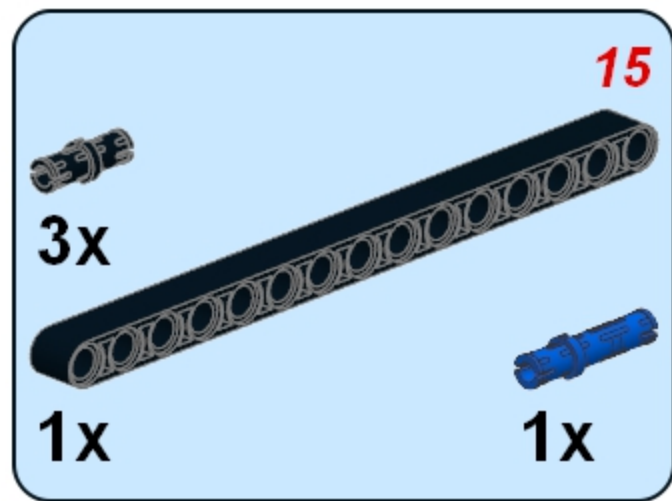




25



1



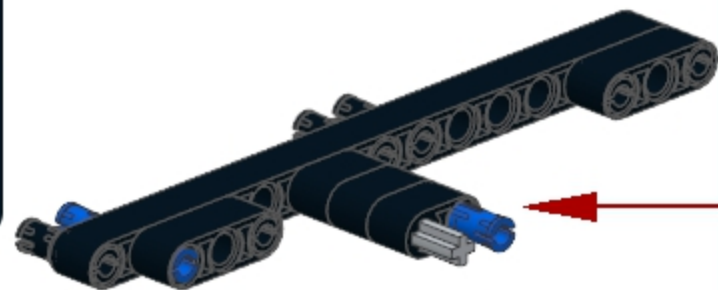
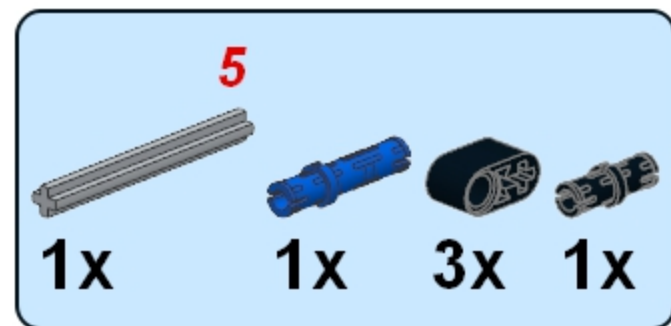
2



3



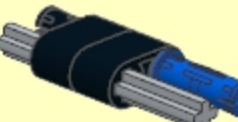
4



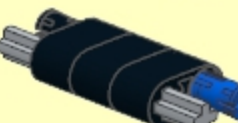
1



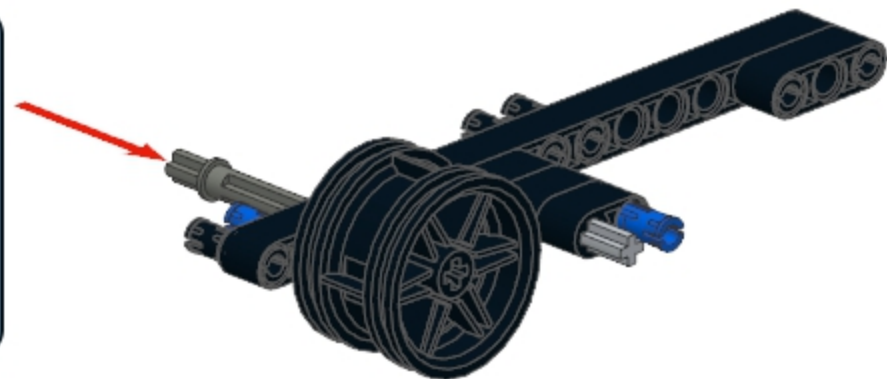
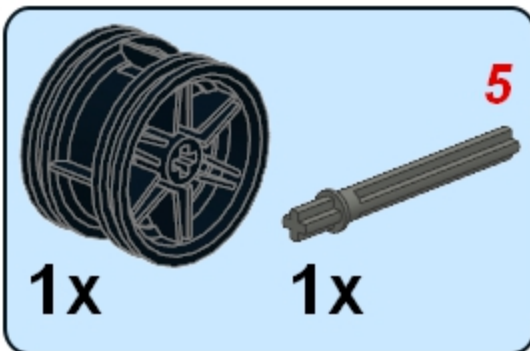
2



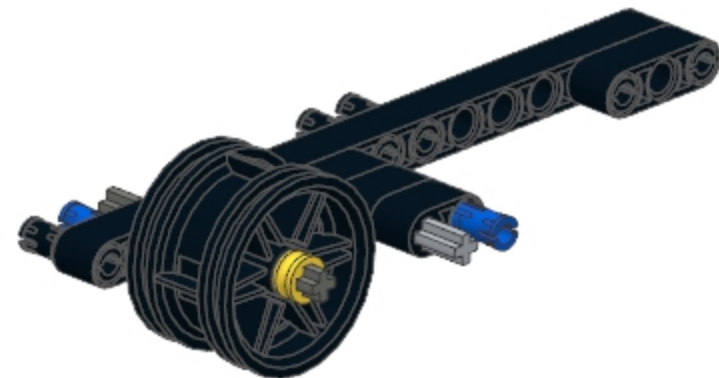
3



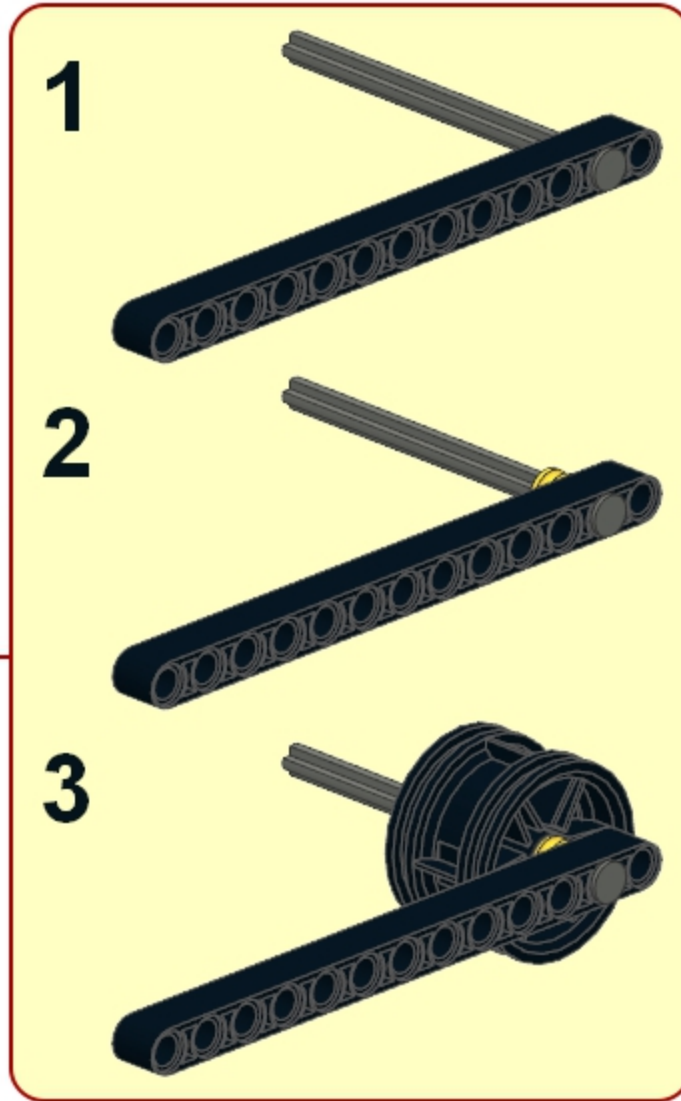
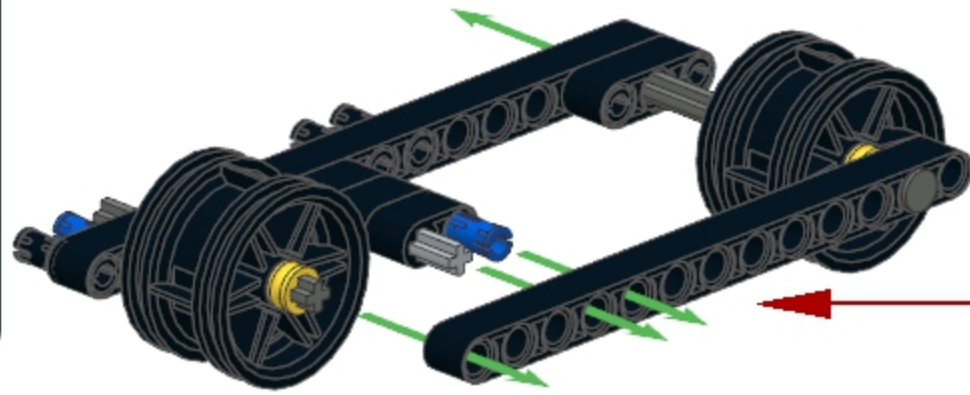
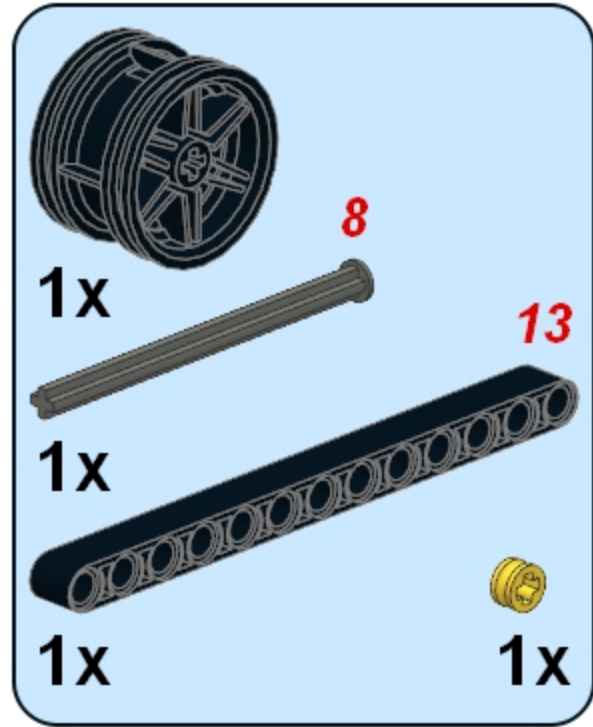
5



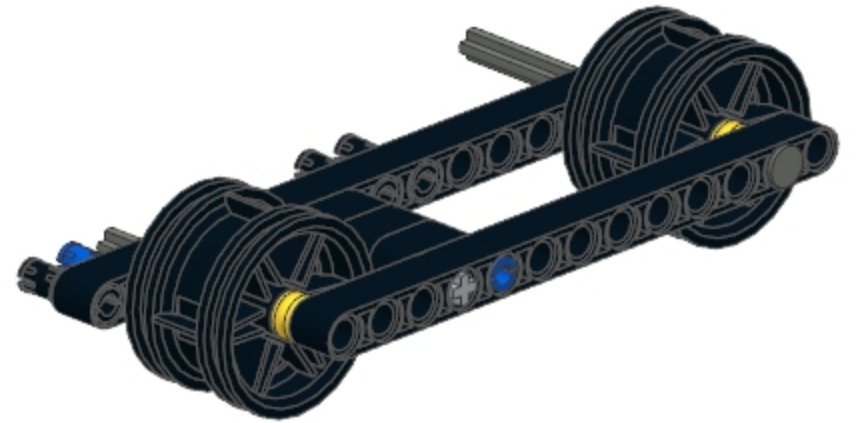
6

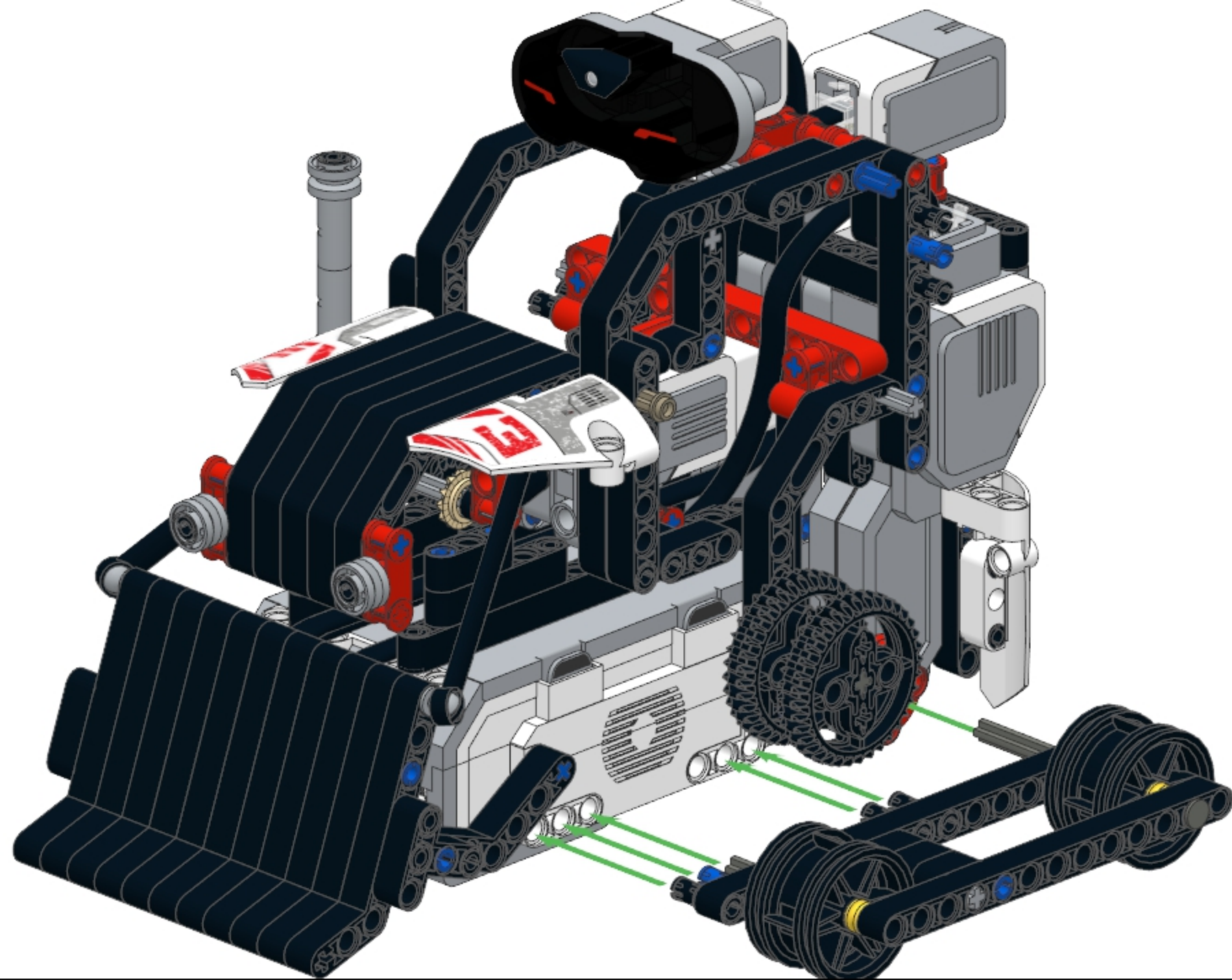


7

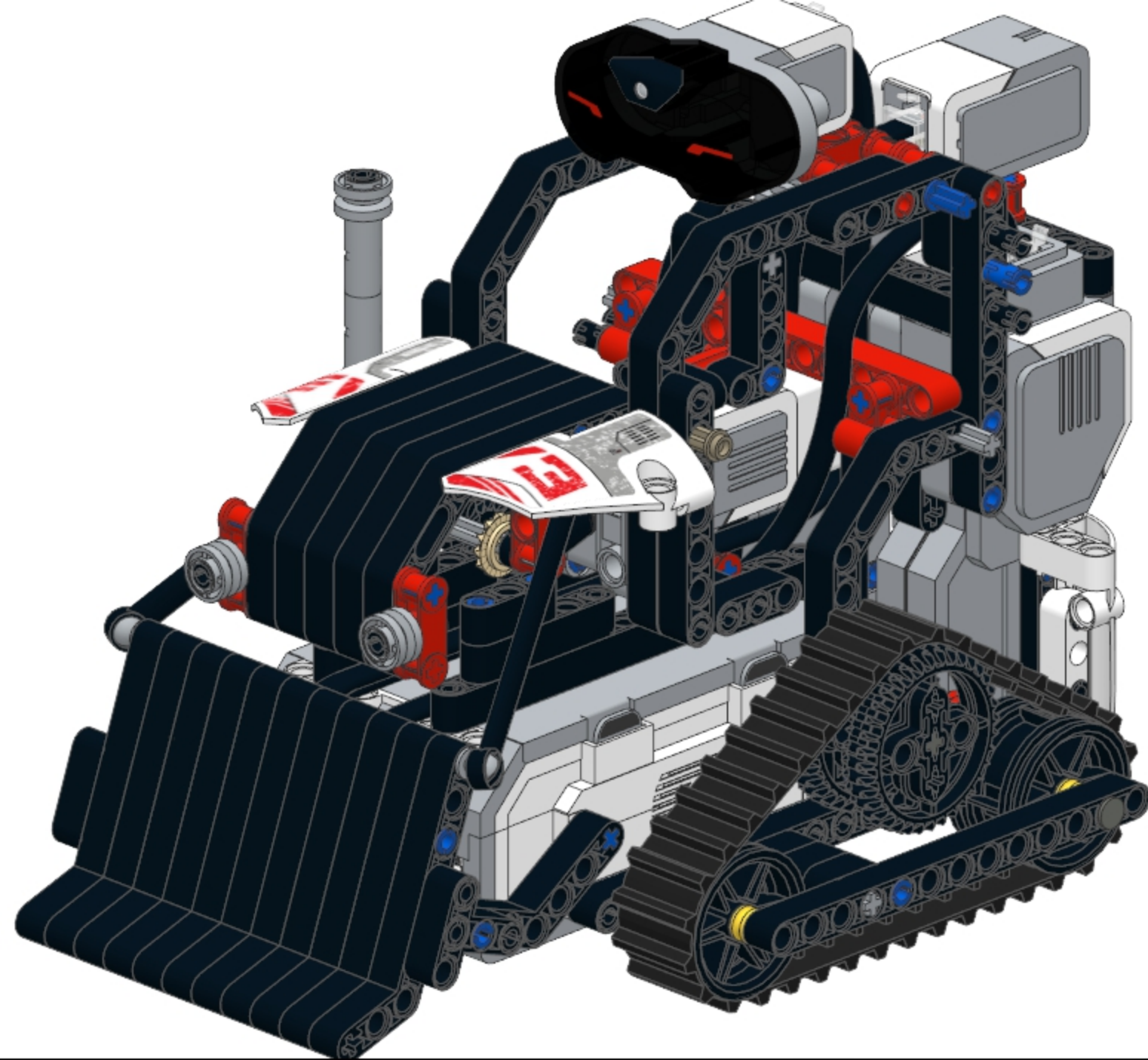
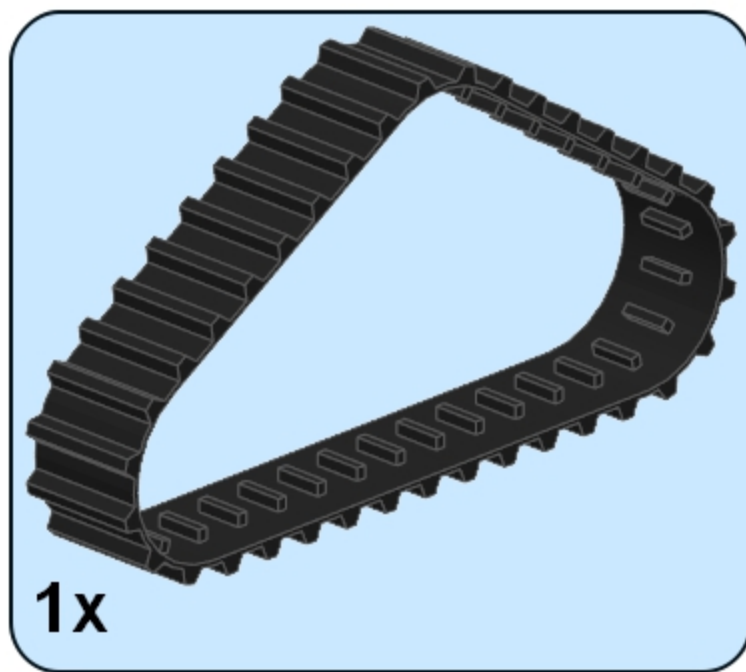


8

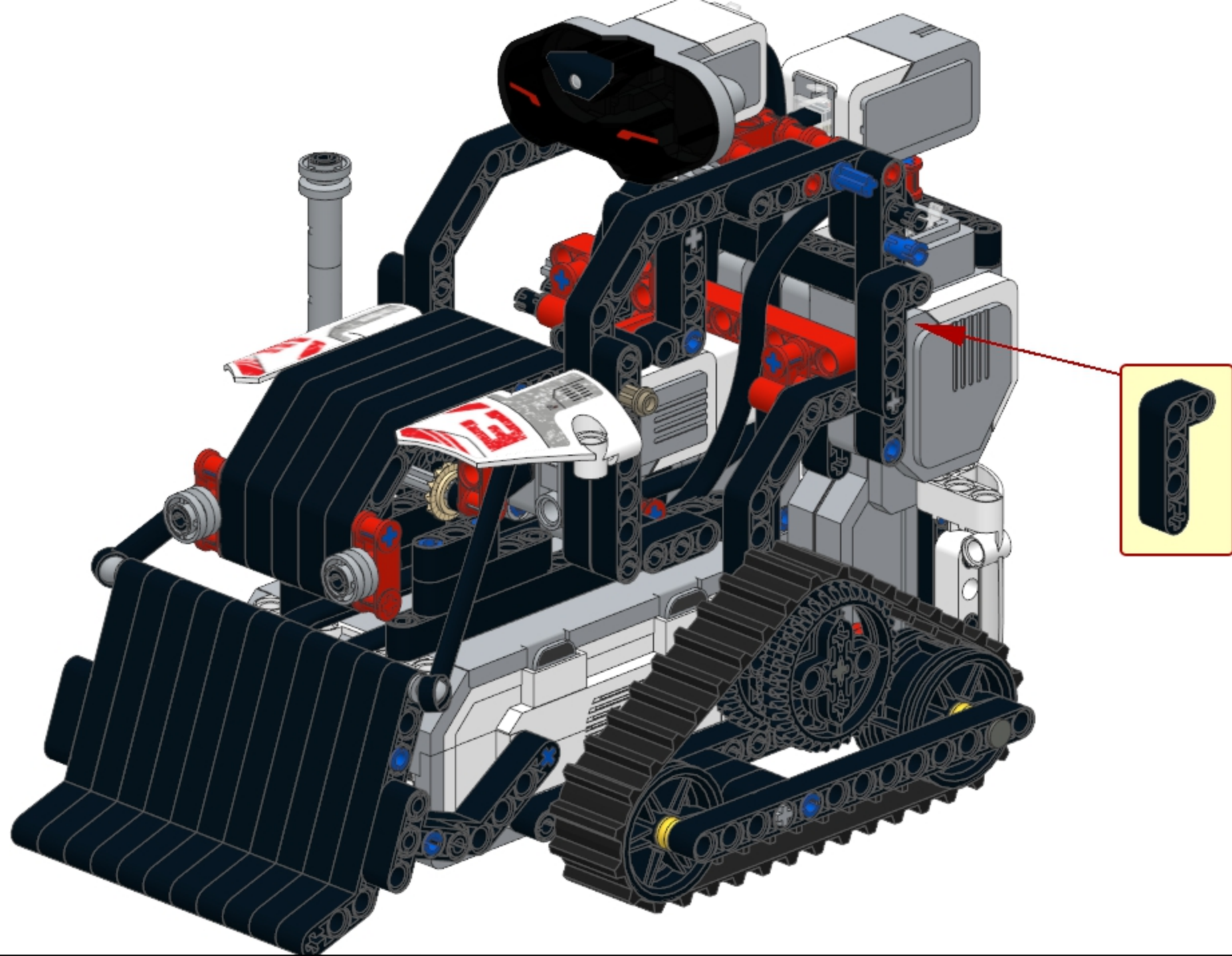
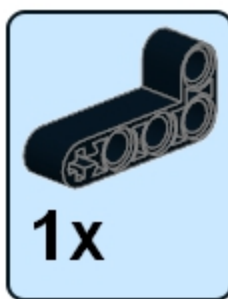




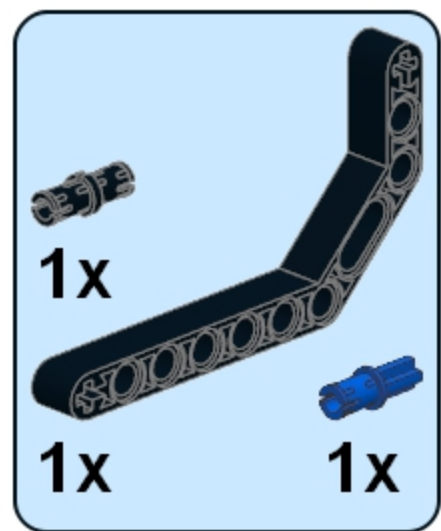
27



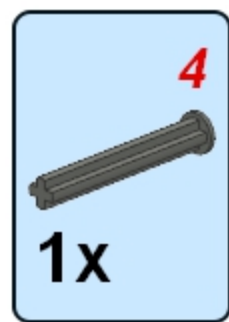
28



**1**



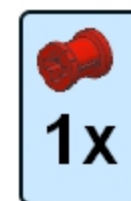
**2**



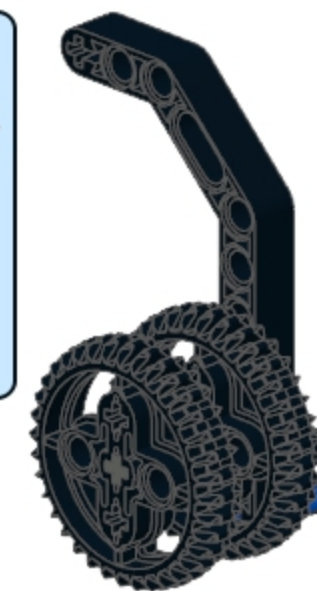
**3**

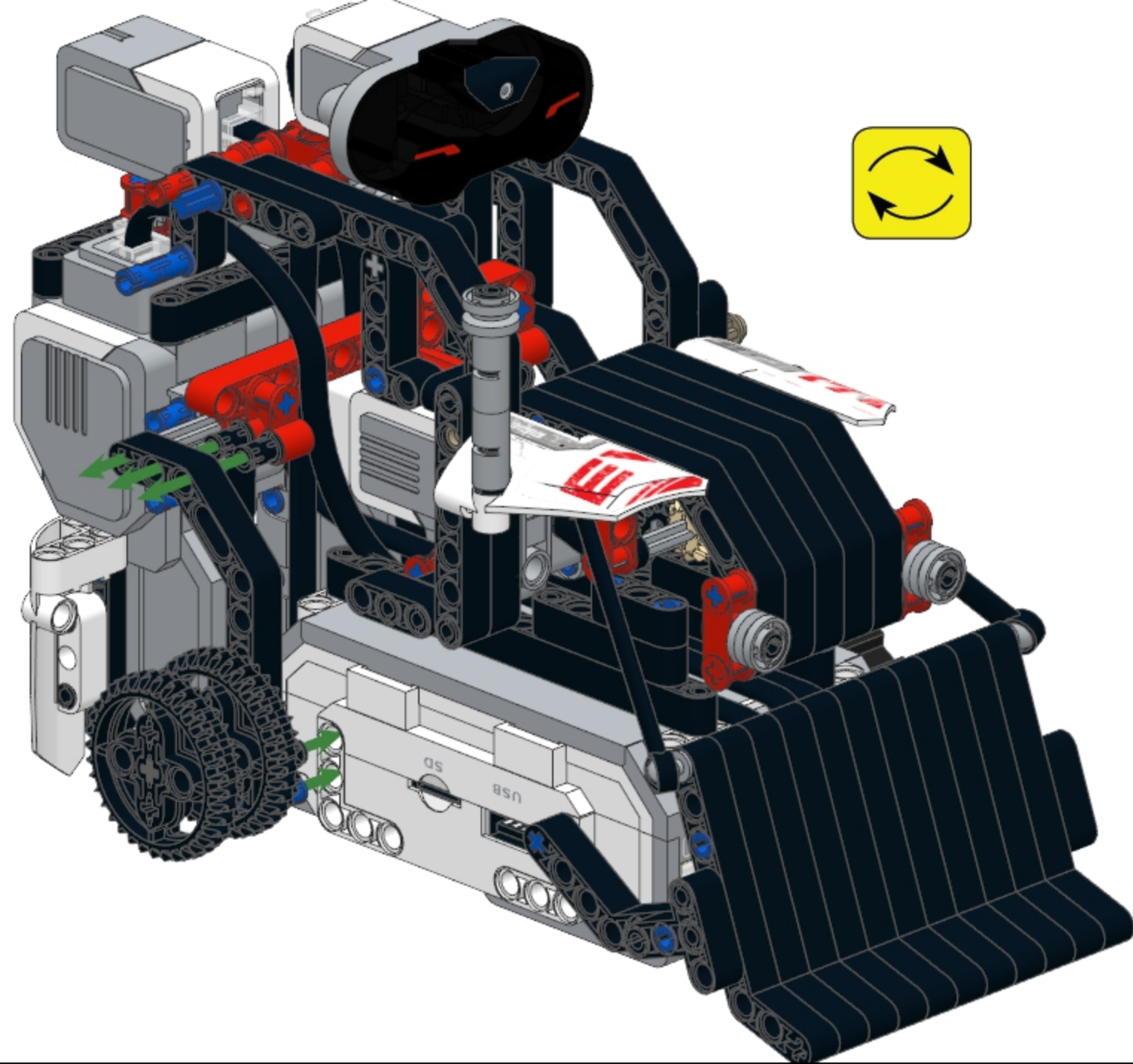


**4**

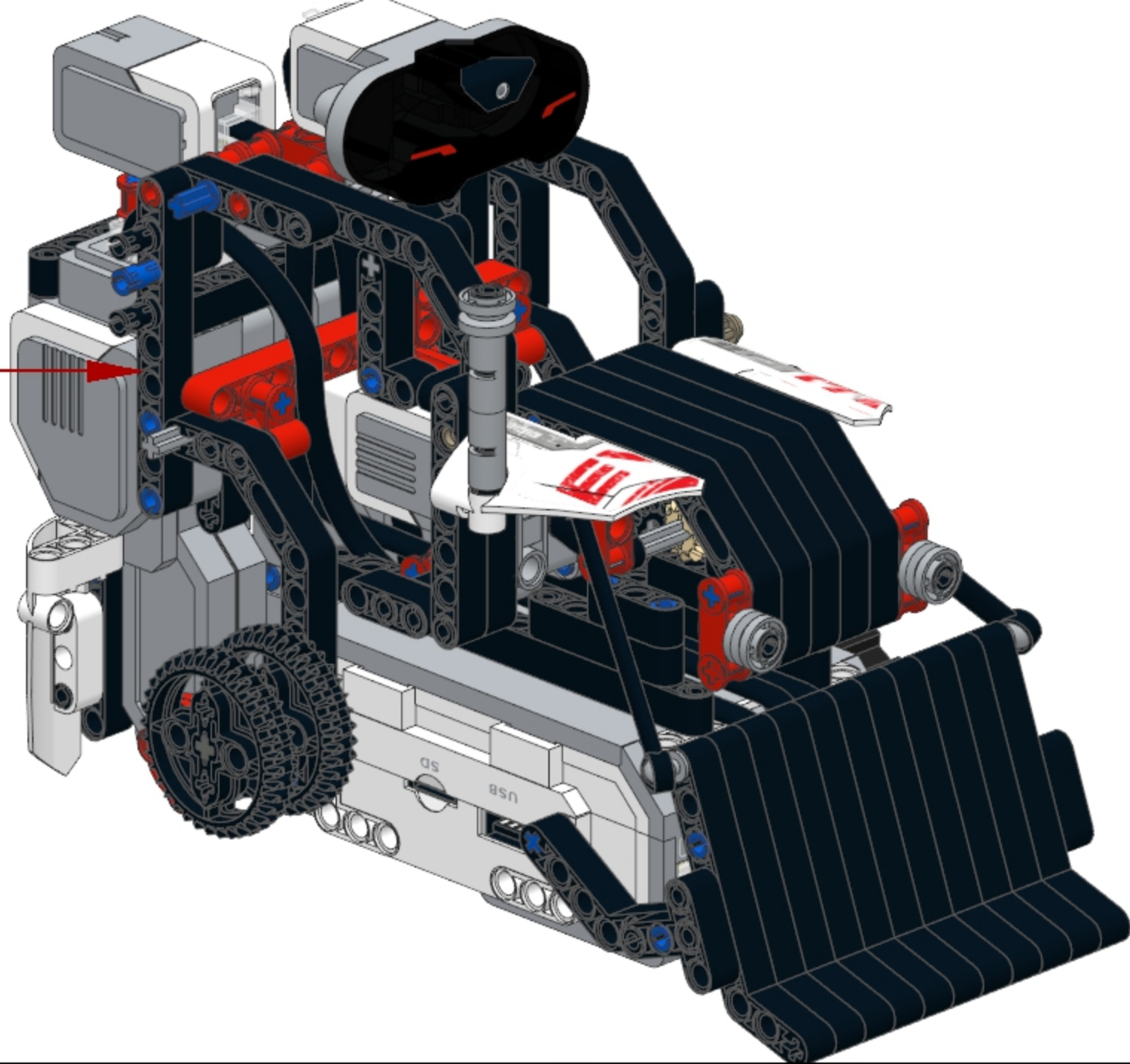
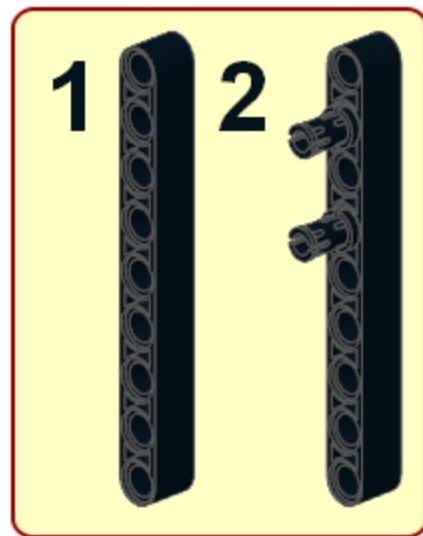
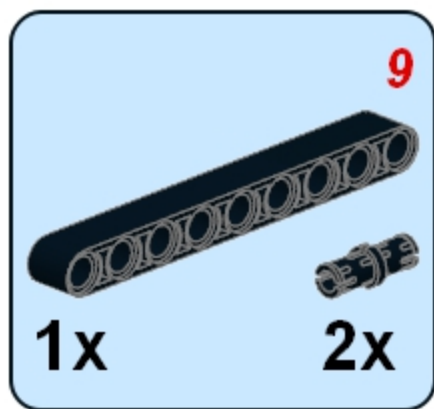


**5**

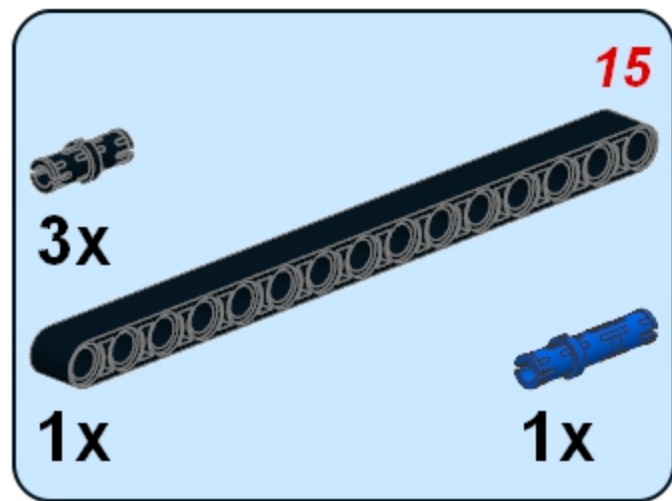




30



1



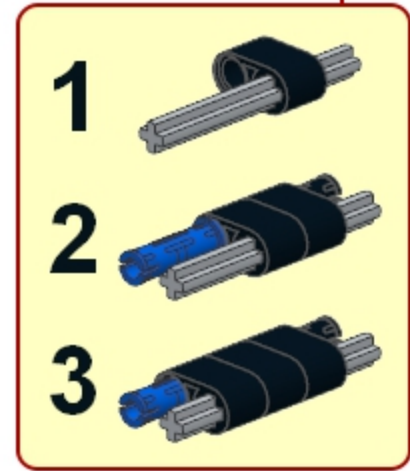
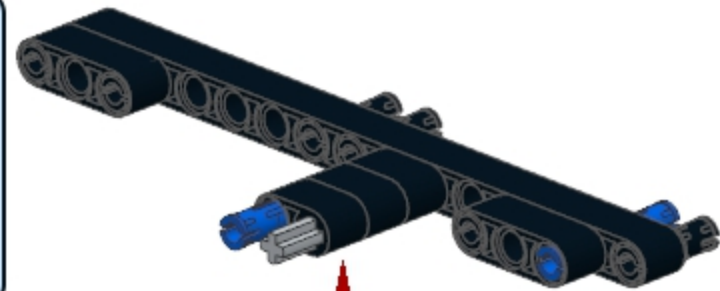
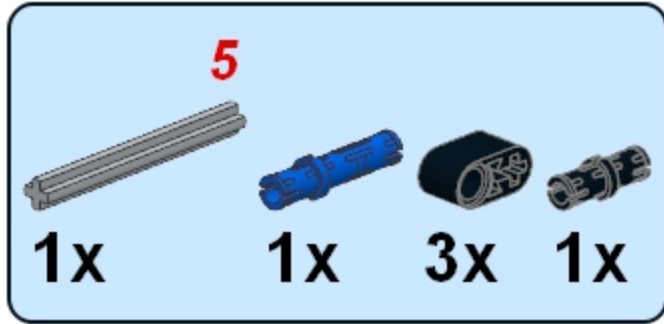
2



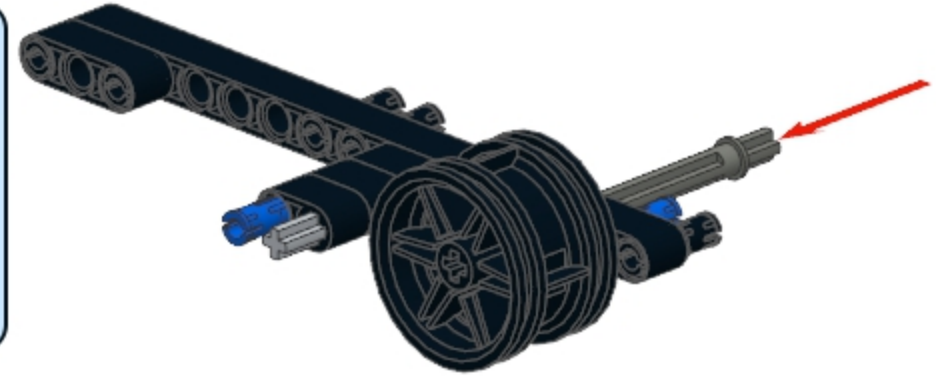
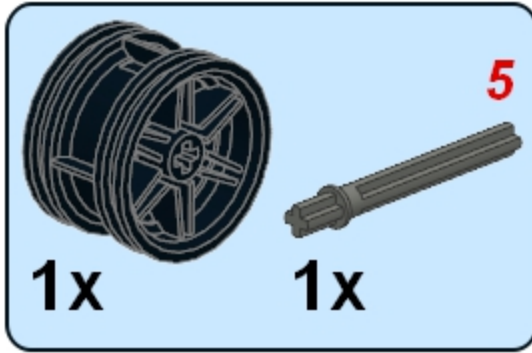
3



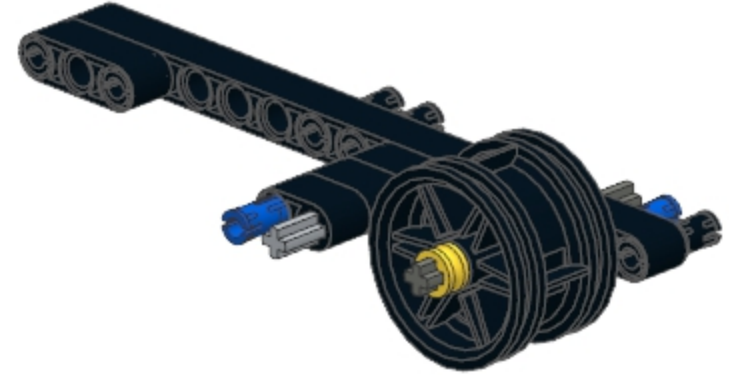
4



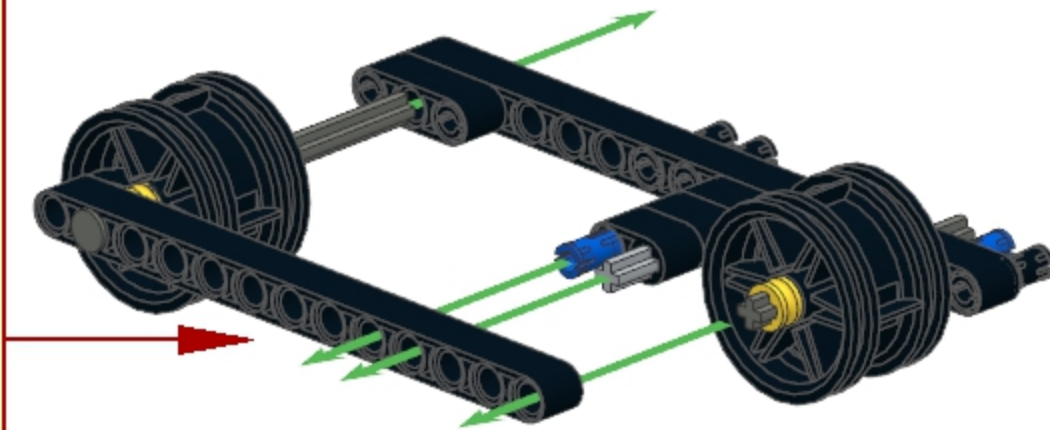
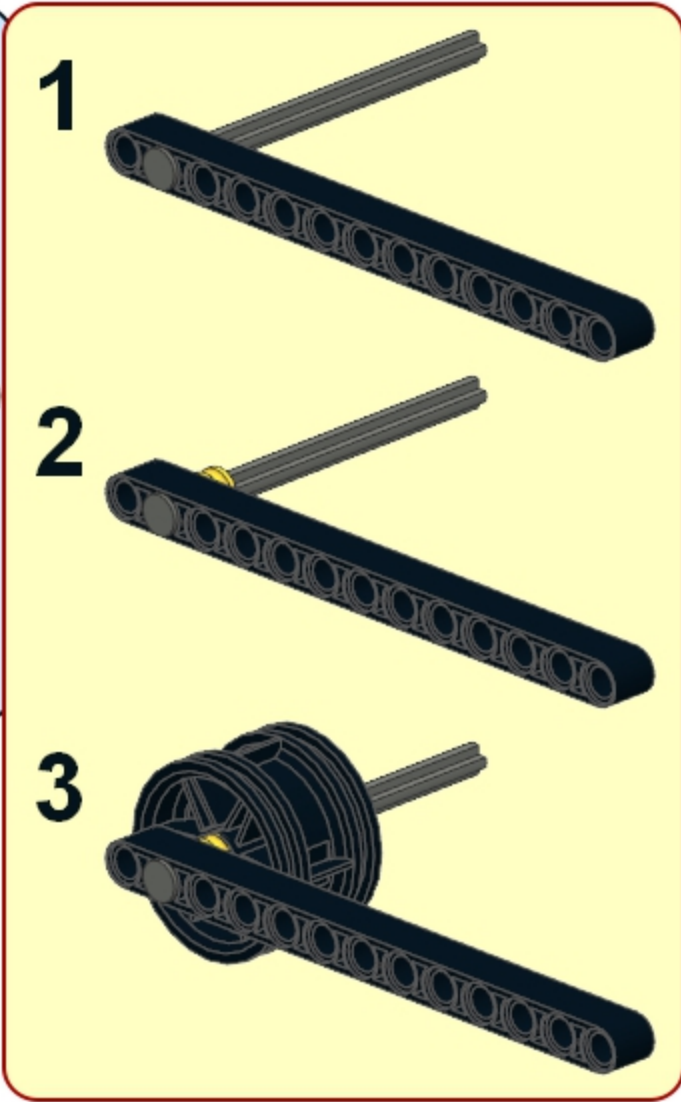
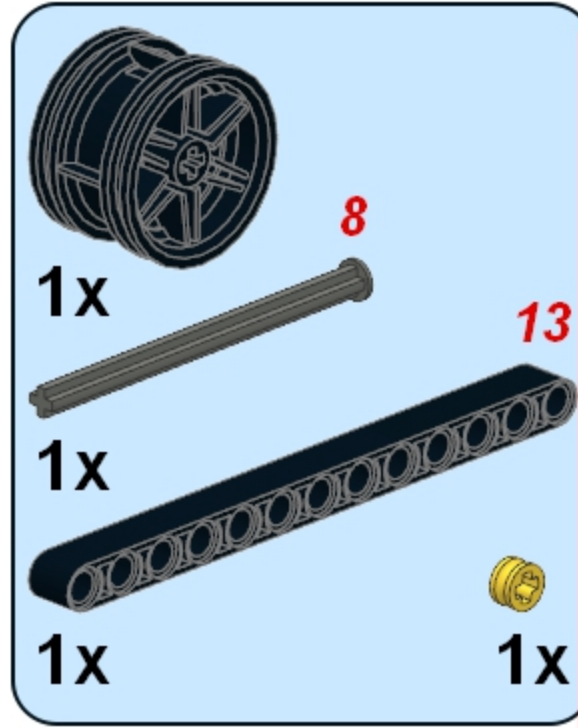
5



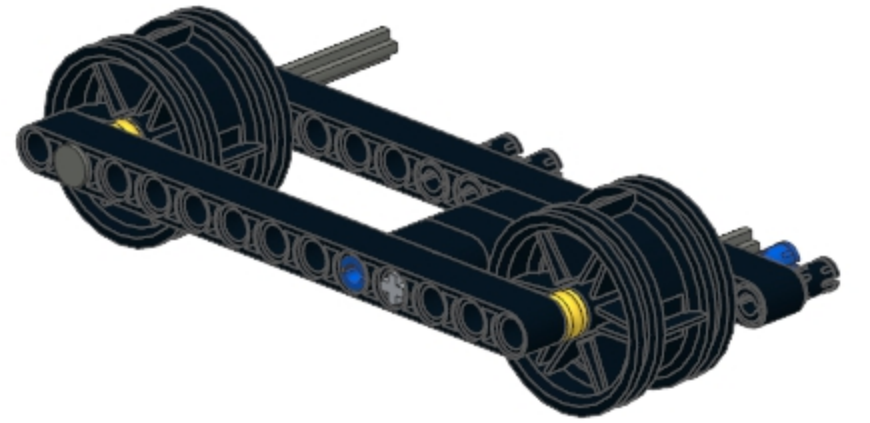
6

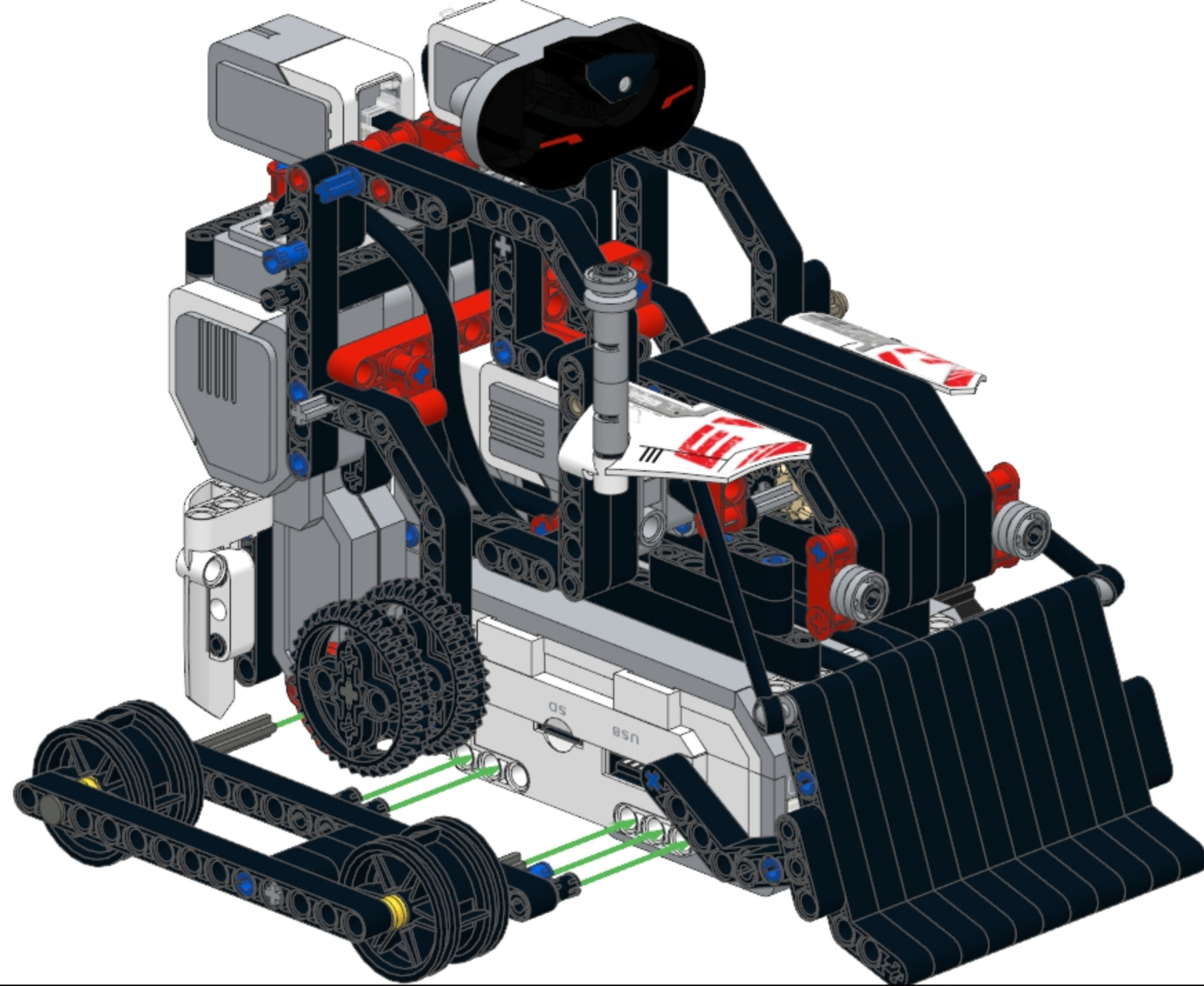


7

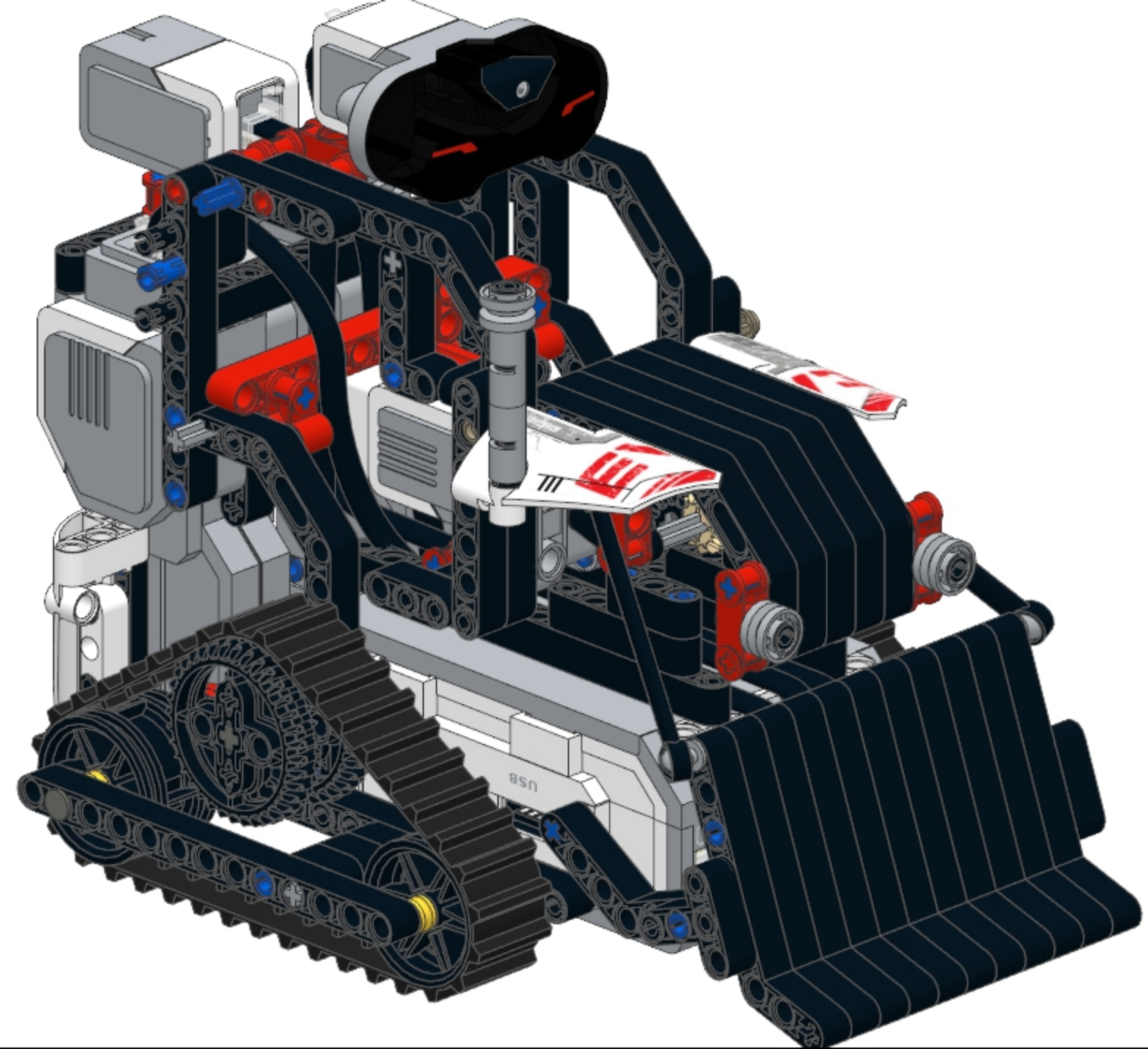
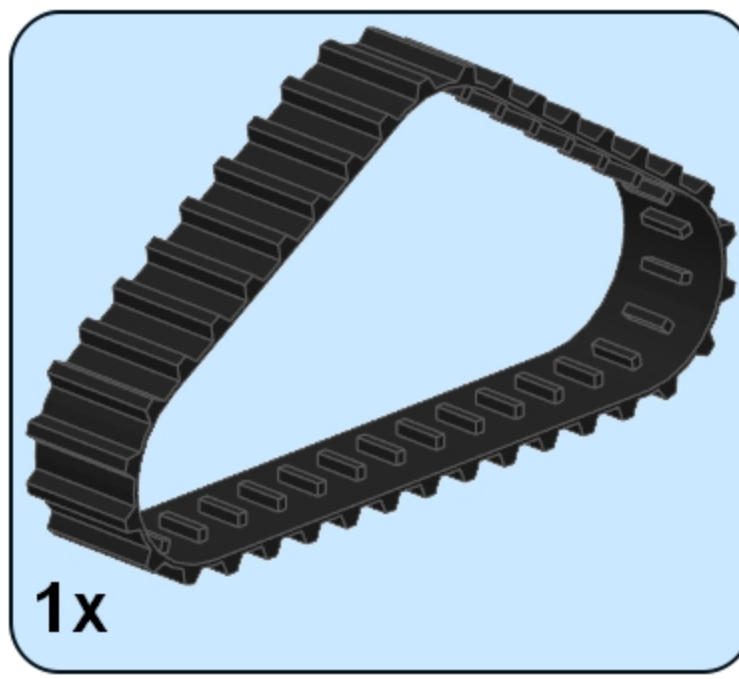


8

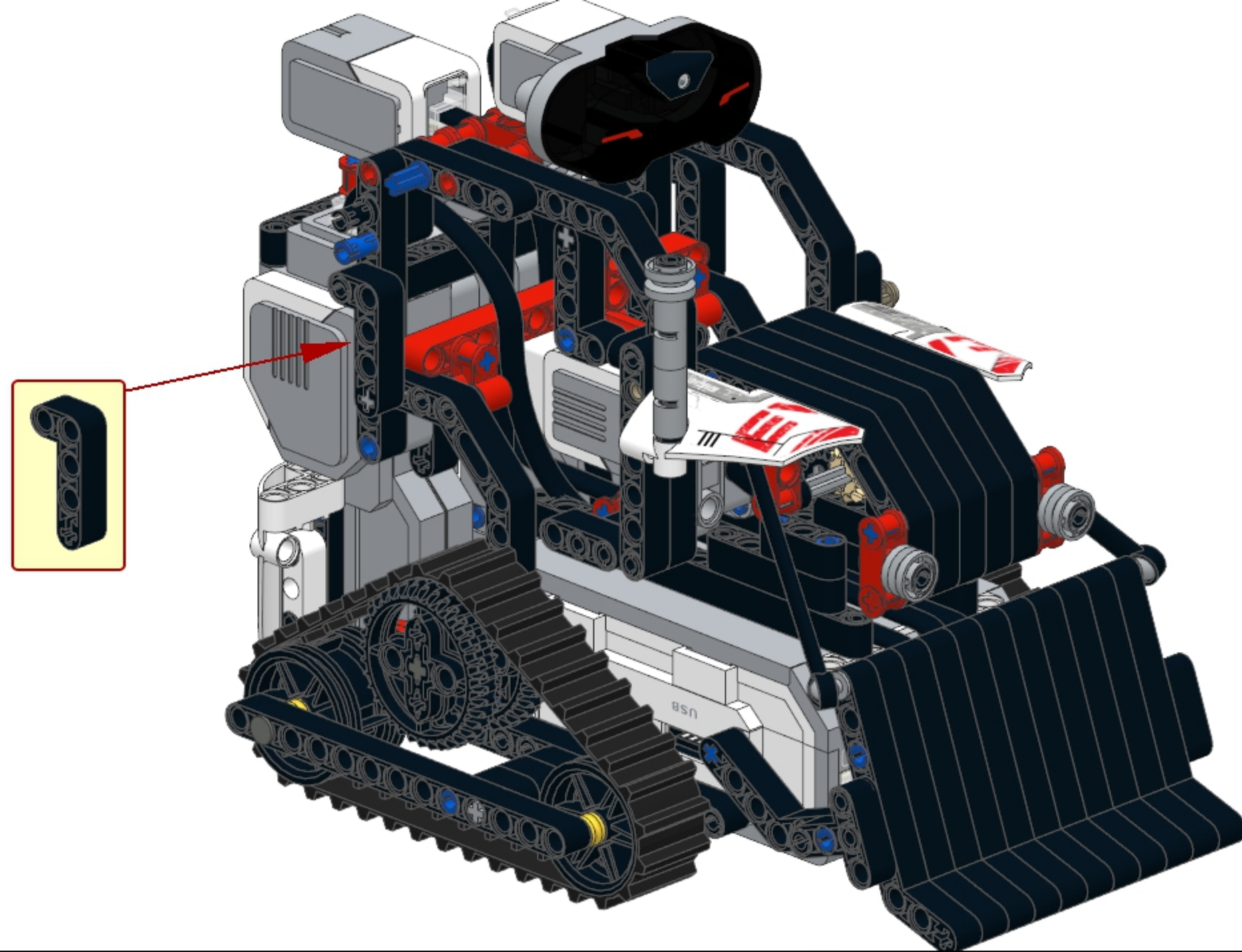
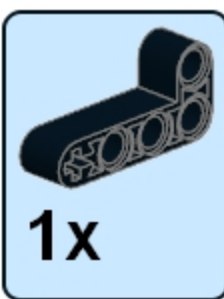




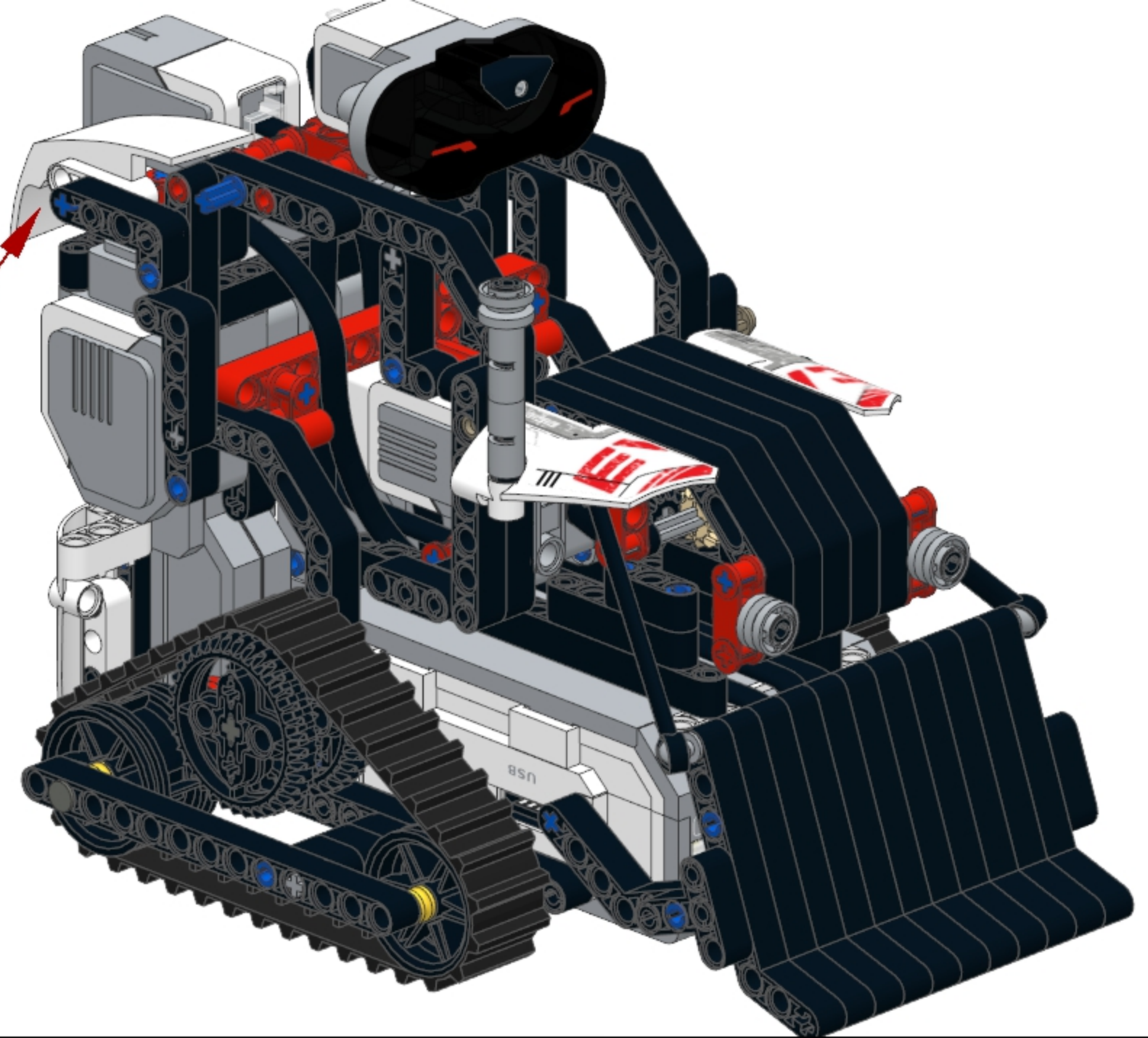
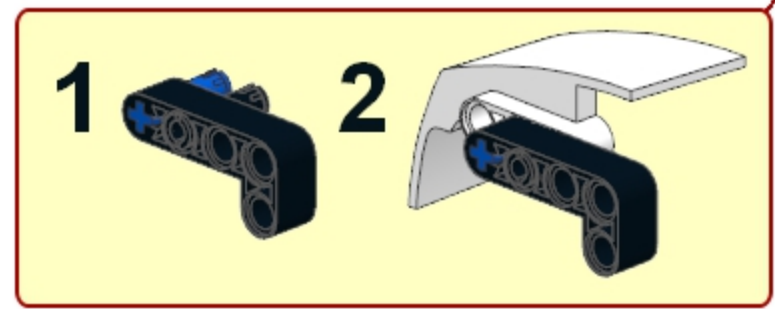
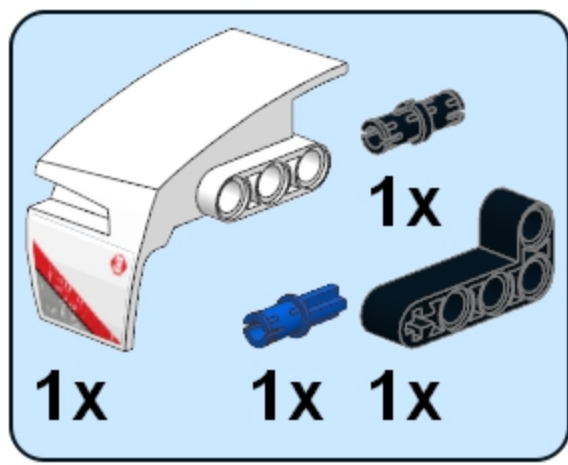
32



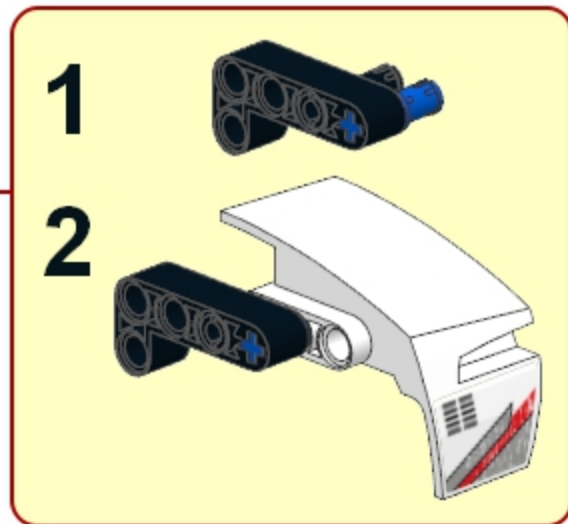
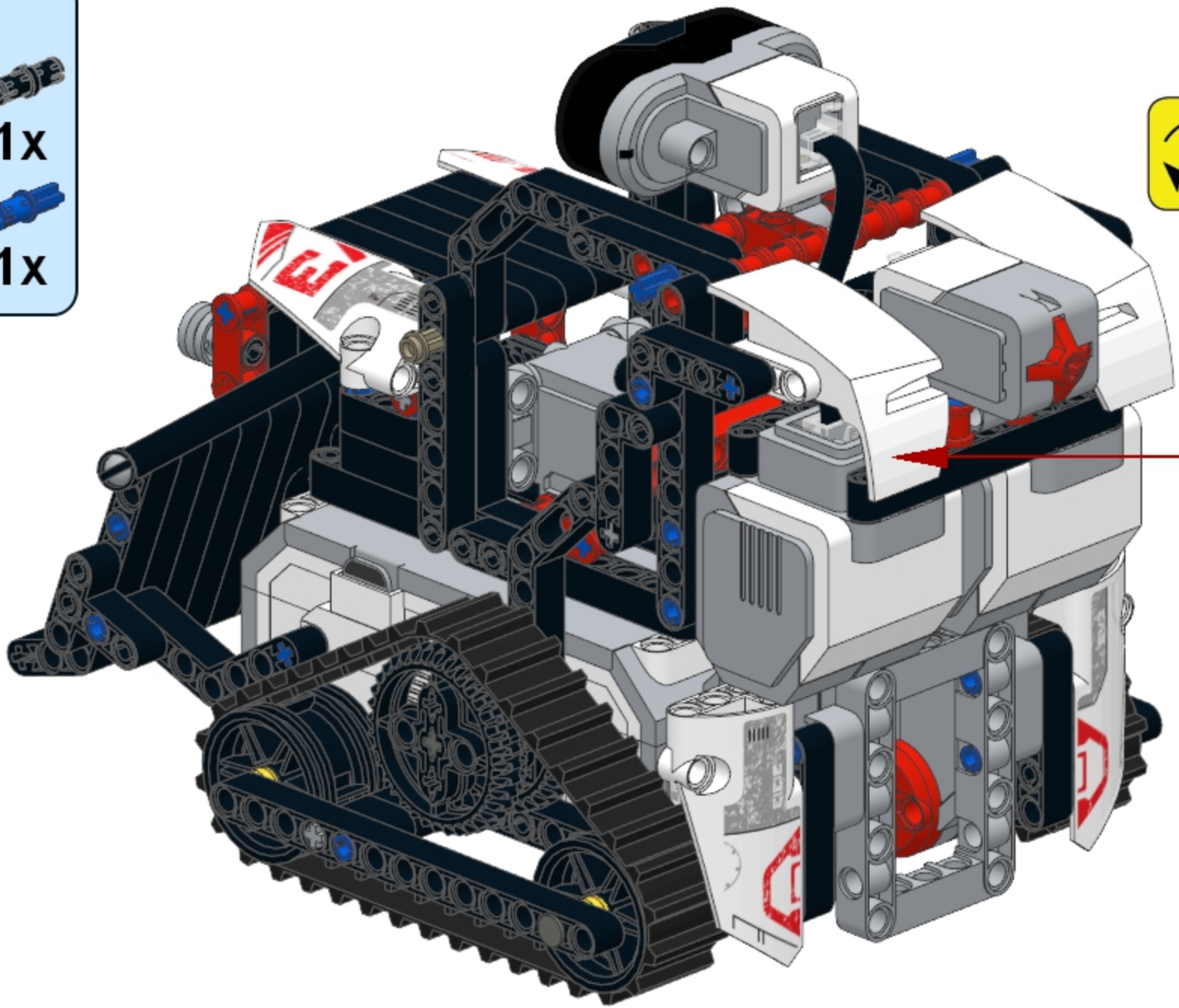
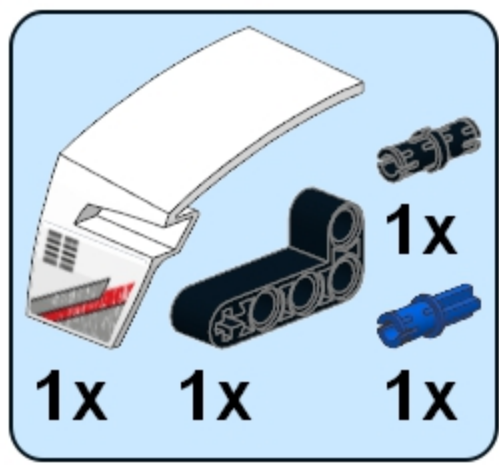
33



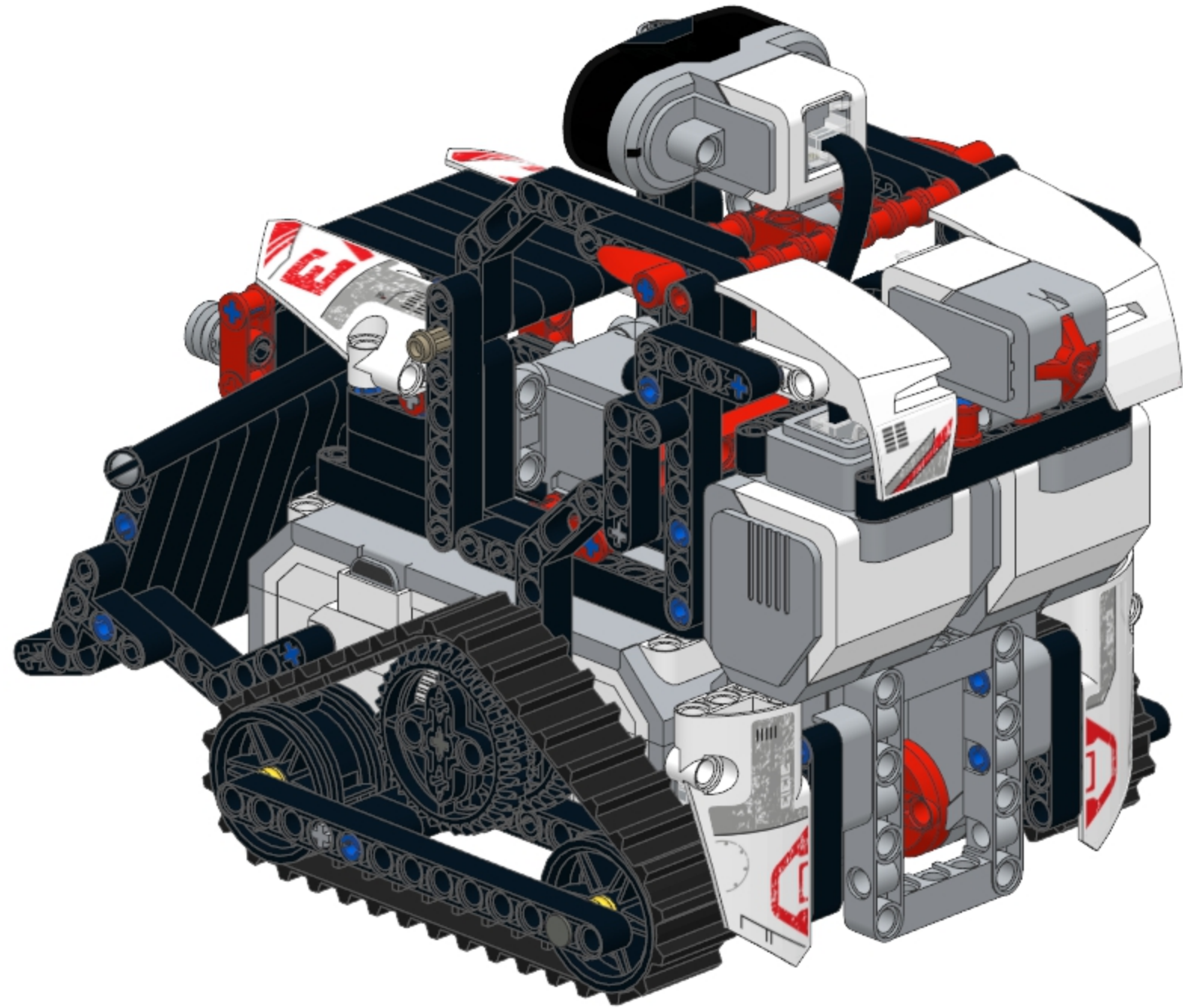
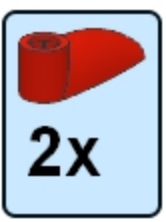
34



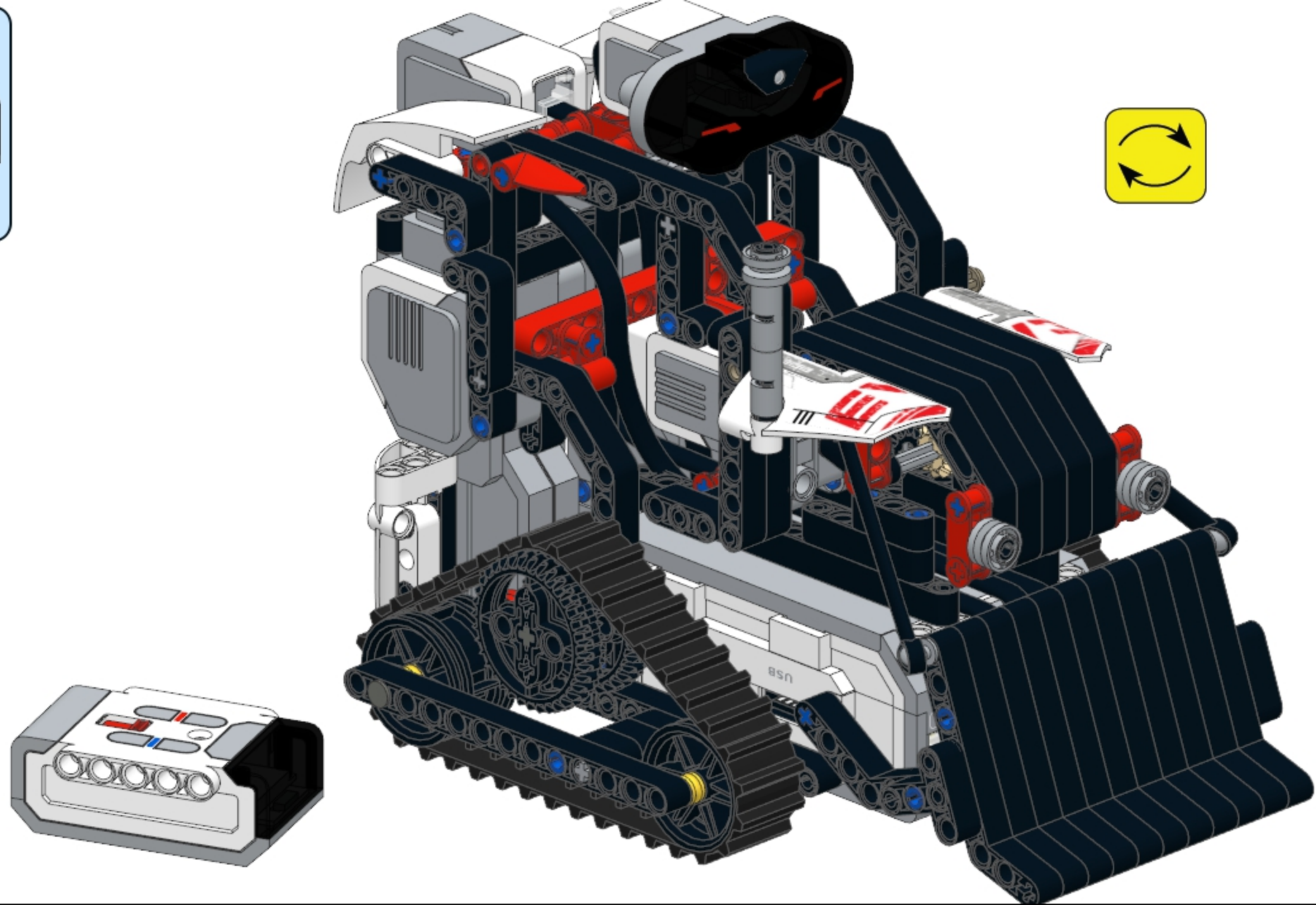
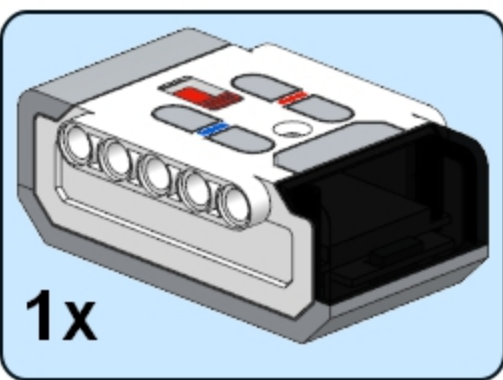
35



36

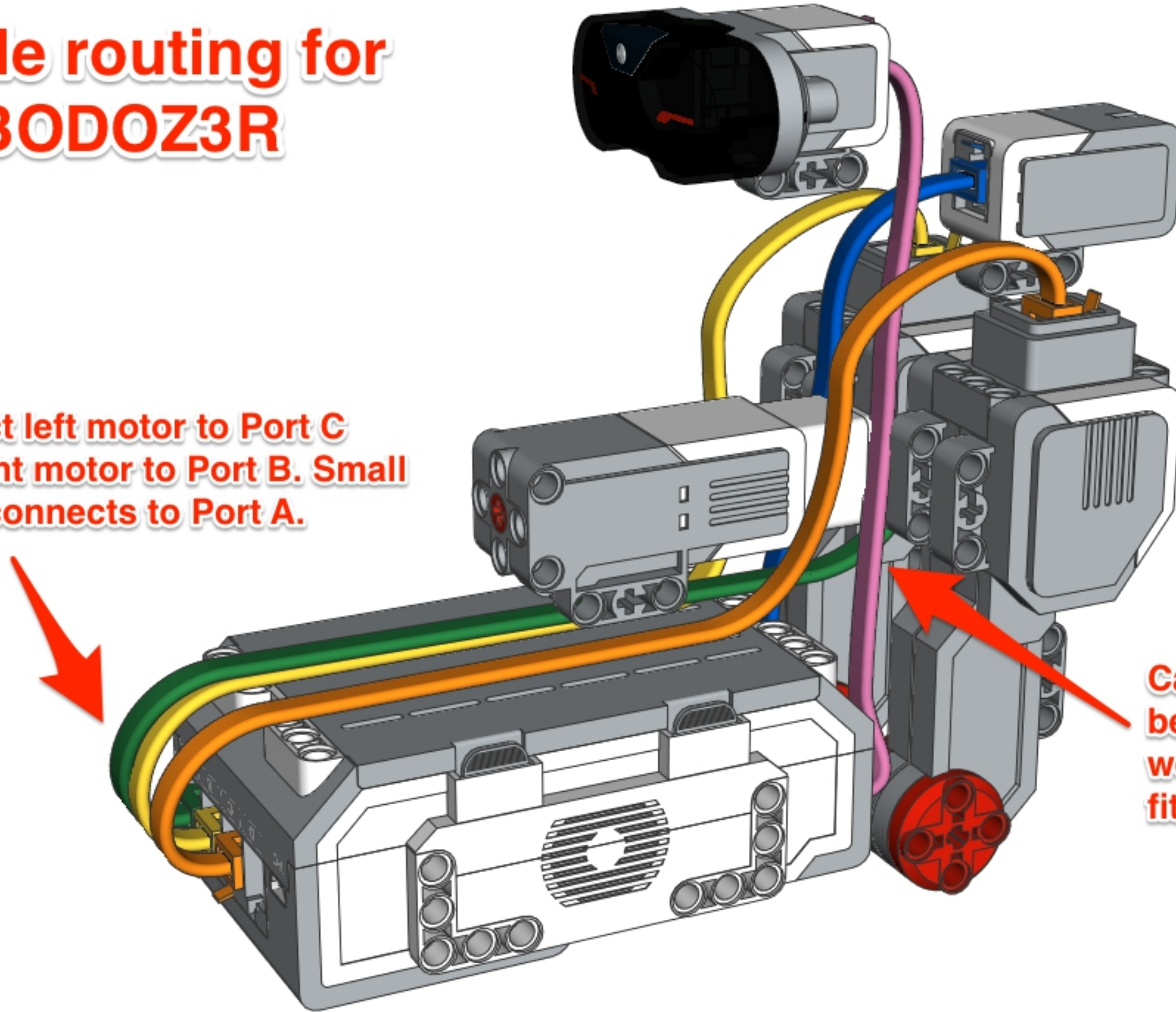


37



# Cable routing for ROBODOZ3R

Connect left motor to Port C  
and right motor to Port B. Small  
motor connects to Port A.



Cables are tricky to fit  
between Lego pieces. Don't  
worry if you cannot make them  
fit on your first go.