

## MANUALE D'USO

ACCESSORIO GRATTUGIA A CILINDRI

IT

## INSTRUCTION MANUAL

ROTARY SLICER AND SHREDDER ACCESSORY

EN

## MANUEL D'UTILISATION

ACCESSOIRE RÂPE À CYLINDRES

FR

## GEBRAUCHSANWEISUNG

ZUBEHÖR TROMMELREIBE

DE

## GEBRUIKSAANWIJZING

CILINDERRASP

NL

## MANUAL DE USO

ACCESORIO RALLADOR DE CILINDROS

ES

## MANUAL DE UTILIZAÇÃO

ACESSÓRIO RALADOR COM CILINDROS

PT

## BRUKSANVISNING

RIVTILLSATS MED CYLINDRAR

SV

## РУКОВОДСТВО ПО ЭКСПЛУАТАЦИИ

АКСЕССУАР ТЕРКА С ЦИЛИНДРИЧЕСКИМИ НАСАДКАМИ

RU

## BRUGERVEJLEDNING

TILBEHØR RIVEJERN MED CYLINDERE

DA

## INSTRUKCJA UŻYTKOWNIKA

TARKA BĘBNOWA

PL



Dear Customer,

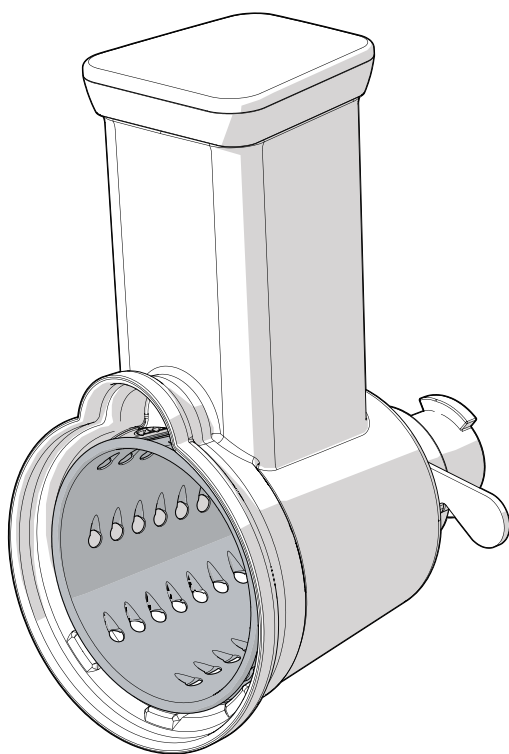
Thank you for choosing a Smeg product.

By choosing Smeg, you have selected an appliance which combines iconic style with innovative technical design and attention to detail.

This appliance coordinates perfectly with other Smeg products, or works equally well as a standalone statement piece in your kitchen.

We hope you enjoy using your new appliance!

For any further information please visit [www.smeg.com](http://www.smeg.com) or [www.smegusa.com](http://www.smegusa.com) (website valid only for the USA, Canada and South America).



**SMSG01**

**Rotary slicer and shredder accessory**

The manufacturer reserves the right to make any changes deemed useful for improvement of its products without prior notice. The illustrations and descriptions contained in this manual are therefore not binding and are merely indicative.

# Contents

|   |           |
|---|-----------|
| <b>1 Instructions</b>                                 | <b>21</b> |
| 1.1 Introduction                                      | 21        |
| 1.2 User manual                                       | 21        |
| 1.3 Intended use                                      | 21        |
| 1.4 Manufacturer liability                            | 22        |
| 1.5 Disposal  | 22        |
| <b>2 Description</b>                                  | <b>23</b> |
| 2.1 Product description                               | 23        |
| 2.2 Description of parts                              | 24        |
| <b>3 Use</b>  | <b>25</b> |
| 3.1 Before first use                                  | 25        |
| 3.2 Installing on the stand mixer attachment          | 26        |
| 3.3 Using the rotary slicer and shredder accessory    | 29        |
| <b>4 Cleaning and Care</b>                            | <b>30</b> |
| 4.1 Instructions                                      | 30        |
| 4.2 Maintenance                                       | 30        |
| 4.3 Cleaning the rotary slicer and shredder accessory | 30        |

EN

## Important Safeguards

**WARNING:** If the instructions contained in this manual are not followed precisely, fire or explosion may result causing property damage, personal injury or death.



**READ AND SAVE THESE INSTRUCTIONS** - Your safety and the safety of others are very important.

We have provided many important safety messages throughout this manual and on the appliance.

Read all the instructions before using the appliance and always obey all safety messages.



# Important Safeguards



## RECOGNIZE SAFETY INFORMATION

This is a safety alert symbol. This symbol alerts you to potential hazards that can result in severe personal injury or death.

## UNDERSTAND SIGNAL WORDS

A signal word - DANGER, WARNING or CAUTION - is used with the safety alert symbol. DANGER denotes the most serious hazards. It means you could be killed or seriously injured if you do not immediately follow the instructions. WARNING means you could be killed or seriously injured if the instructions are not followed. CAUTION indicates a potentially hazardous situation, which, if not avoided, could result in minor to moderate injury.

### WARNING



- This appliance is intended for use in the home only.
- Use this appliance only for its intended purpose. The manufacturer cannot be held liable for damage caused by improper use of this appliance.
- This appliance complies with current safety regulations. Improper use of this appliance can result in personal injury and material damage.
- Read all the instructions before installing or using the appliance for the first time.
- Keep these operating instructions in a safe place and pass them on to any future user.

The safety messages will inform you of potential hazards, on how to avoid the risk of injury and what can occur if the instructions are not followed.

**IMPORTANT: Observe all codes and ordinances in force.**

**WARNING: For your safety, the instructions contained in this manual must be followed to minimize the risk of fire or explosion and to prevent property damage, personal injury or death.**

Do not store or use gasoline or other flammable vapors, liquids or materials near this or any other appliance.



**NOTE:** This appliance is NOT designed for installation in manufactured (mobile) homes or in recreational vehicles (RVs).

**DO NOT install this appliance outdoors.**

# Important Safeguards



## WARNING



To reduce the risk of fire, electrical shock, personal injury, or damage when using the appliance, follow basic safety precautions, including the following:

The rotary slicer and shredder accessory is an accessory of the stand mixer.

Follow all safety instructions in order to use the appliance safely.

- Read this user manual and the manual supplied with the stand mixer carefully before using the appliance.
- To protect against electric shock, do not immerse the appliance, the power cord or the plug in water or any other liquid.
- Do not use the stand mixer when the power cord or the plug is damaged or after the appliance malfunctions, or when the appliance has fallen or is damaged in any manner. Return appliance to the nearest authorized service center for examination, repair or adjustment.
- If the power cord is damaged, it must be replaced by the manufacturer, its service agent or similarly qualified persons in order to avoid a hazard.
- The cable is short to prevent accidents. Do not use an extension cord.
- Do not let cord hang over edge of table or counter or touch hot surfaces.
- Do not pull on the cord to unplug it from the power socket.
- This appliance shall not be used by children.
- Keep the appliance and its cord out of reach of children.
- Do not place the appliance above or near lit gas or electric burners, inside an oven or near other heat sources.
- Switch off the appliance immediately after use.
- Always disconnect the appliance from the supply if it is left unattended and before assembling, disassembling or cleaning.
- This appliance can be used by children aged from 8 years and above if they have been given supervision or instruction concerning use of the appliance in a safe way and if they understand the hazards involved.
- Cleaning and user maintenance shall not be made by children unless they are aged from 8 years and above and supervised.
- Do not leave the appliance unattended while it is operating.
- In case of fault, repairs should only be carried out by a qualified technician.
- Never try to put out a fire or flames with water: turn off the appliance, remove the plug from the socket and smother the flames with a fire blanket or any other appropriate cover.
- Do not modify the appliance.



# Important Safeguards

## For the appliance and the rotary slicer and shredder accessory

- Unplug the appliance from the power socket after use and before cleaning it.
- Do not use the rotary slicer and shredder accessory if the stand mixer power cord or the plug is damaged, or if the stand mixer has been dropped or is damaged in any manner.
- Do not use the rotary slicer and shredder accessory if it is damaged.
- Do not leave the rotary slicer and shredder accessory unattended while it is operating.
- Do not modify the rotary slicer and shredder accessory.
- Do not try to repair the rotary slicer and shredder accessory yourself or without the assistance of a qualified technician.
- Do not install, remove or replace standard accessories with the safety lock disengaged (motor head lowered).
- Do not use your hands to push foods into the funnel. Use the specific pusher accessory.
- The blades of the rotary slicer and shredder's cylinders are sharp. Be very careful when handling them.
- Never use your fingers to remove food residue from the rotary slicer and shredder's cylinders while the appliance is plugged in or operational. Danger of cuts!
- Foods must not contain stones, pits or other hard objects.
- Let cooked food cool down before cutting it, as the thicker consistency will give better results.
- Do not touch moving parts while the appliance is operating. Keep hands, hair, clothing, spoons, spatulas and other objects at a safe distance from the rotary slicer and shredder accessory to avoid personal injury and/or damage to the stand mixer and rotary slicer and shredder accessory.
- Let the appliance cool down before cleaning.
- Only use original accessories provided and supplied by the manufacturer. The use of non-original components, utensils and accessories could lead to personal injury or damage to the stand mixer and rotary slicer and shredder accessory.
- Do not use harsh detergents or sharp objects to wash or remove residue from the bowl, utensils and rotary slicer and shredder accessory.
- Keep a close eye on children and ensure they do not play with the appliance.
- Turn off the stand mixer before fitting or removing the rotary slicer and shredder accessory.
- Do not remove the rotary slicer and shredder accessory while the stand mixer is operational. Check that the speed selector is in the 0 (OFF) position.
- Let the rotary slicer and shredder accessory cool down before cleaning.

## SAVE THESE INSTRUCTIONS

# Important Safeguards



## 1 Instructions

### 1.1 Introduction

Key information for the user:

#### Instructions



General information about this manual, safety and final disposal.

#### Description



Description of the rotary slicer and shredder accessory.

#### Use



Information on use of the rotary slicer and shredder accessory.

#### Cleaning and care



Information for proper cleaning and maintenance of the rotary slicer and shredder accessory.



Safety instructions



Information



Advice

### 1.2 User manual

This user manual is an integral part of the rotary slicer and shredder accessory and must therefore be kept in its entirety and in an accessible place for the whole working life of the appliance.

### 1.3 Intended use

- The rotary slicer and shredder accessory has been designed specifically for domestic use.
- Use the rotary slicer and shredder accessory only in combination with the same manufacturer's stand mixer.
- Use the rotary slicer and shredder accessory indoors.
- The rotary slicer and shredder accessory can be used for grating and slicing fruit, vegetables and nuts.
- Do not use the rotary slicer and shredder accessory for anything other than its intended use.
- The rotary slicer and shredder accessory may not be used by people of reduced physical and mental capacity, or without sufficient experience and knowledge (including children), unless they are supervised or instructed by adults who are responsible for their safety.



# Important Safeguards

## 1.4 Manufacturer liability

The manufacturer shall not be held responsible for personal injuries or property damage caused by:

- Use of the rotary slicer and shredder accessory for purposes other than those envisaged
- Not having read the user manual.
- Tampering with any part of the rotary slicer and shredder accessory
- The use of non-original spare parts.
- Not following the safety instructions.

## 1.5 Disposal

**Old appliances should not be disposed of together with household waste!**

To comply with applicable legislation, old appliances, on reaching the end of their useful lives, should be taken to a disposal facility where they can be sorted. In this way, any valuable material contained in the old appliances can be recycled, helping to protect the environment. The relevant local authorities or their waste disposal operators can provide further information.

The rotary slicer and shredder accessory is packed in non-polluting and recyclable materials.

- Dispose of the packaging materials at an appropriate disposal facility.



Plastic packaging

**Danger of suffocation**

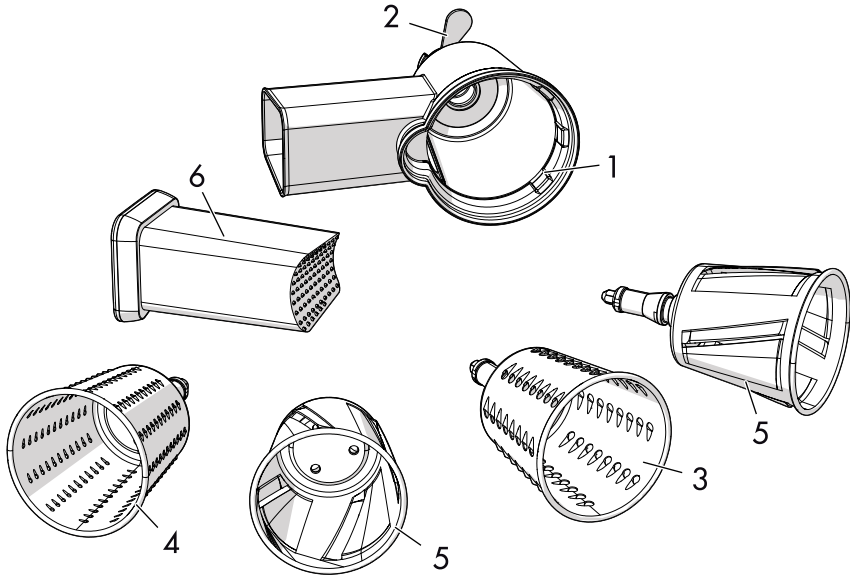
- Do not leave the packaging or any part of it unattended.
- Do not let children play with the plastic bags.





## 2 Description

### 2.1 Product description



**SMSG01 - Rotary slicer and shredder accessory**

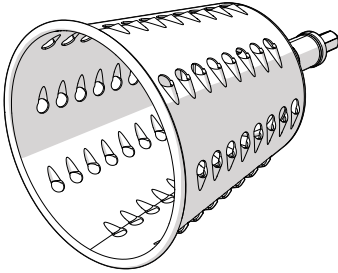
- 1 Grater body
- 2 Closure
- 3 Coarse grating cylinder
- 4 Medium grating cylinder
- 5 Thick slicing cylinder (ref. 1)  
Medium slicing cylinder (ref. 2)
- 6 Pusher



# Description

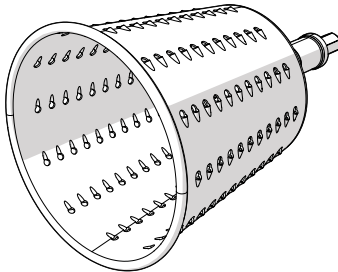
## 2.2 Description of parts

### Coarse grating cylinder



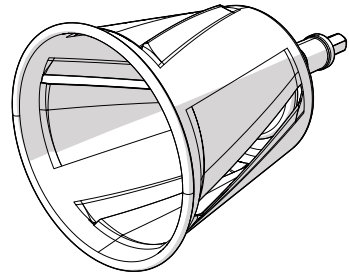
To be used to grate vegetables, fruit, nuts, chocolate, cheeses and cheese rinds.

### Medium grating cylinder



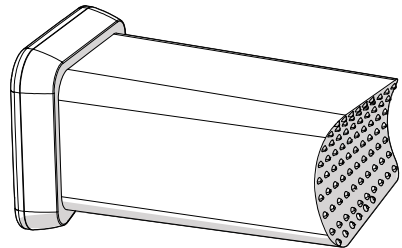
To be used to grate raw vegetables, fruit, nuts, and soft cheeses.

### Slicing cylinders (2 pieces)



To be used to slice potatoes, onions, other raw vegetables and fruits.

### Pusher



Facilitates introduction of food to be grated or sliced inside the body of the rotary slicer and shredder accessory.

**i** The accessories that may come into contact with food are made of materials that comply with the requirements of current legislation.



### 3 Use



#### Electrical Shock Hazard

- Plug into a grounded 3-prong outlet.
- Do not remove the ground prong.
- Do not use an adapter.
- Do not use an extension cord.
- Failure to follow these instructions can result in death, fire, or electrical shock.

#### Stand Mixer US version only

Volts: 120 Volts AC only.

Hertz: 60 Hz



Your stand mixer has a 3-prong grounded plug. To reduce the risk of electrical shock, this plug will fit into an outlet only one way. If the plug does not fit in the outlet, contact a qualified electrician. Do not modify the plug in any way.

- Do not use an extension cord. If the power supply cord is too short, have a qualified electrician or service technician install an outlet near the appliance.
- A short power supply cord (or detachable power supply cord) should be used to reduce the risk resulting from becoming entangled in or tripping over a longer cord.
- Longer detachable power supply cords or extension cords are available and may be used if care is taken when using them.

If a longer detachable power supply cord or extension cord is used:

- The marked electrical rating of the power supply cord or extension cord should be at least as great as the electrical rating of the appliance.
- The cord should be arranged so that it will not hang over the countertop or tabletop where it can be pulled on by children or tripped over unintentionally.
- If the appliance is of the grounded type, the extension cord should be a grounded, 3-prong cord.

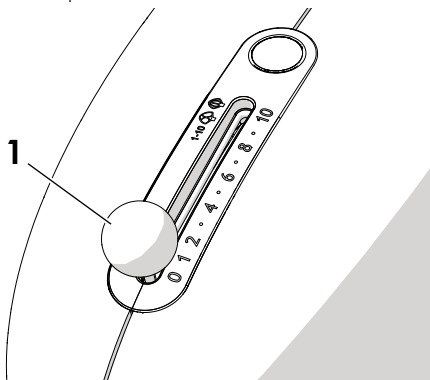
#### 3.1 Before first use

1. Remove any protective packaging from the outside or inside of the rotary slicer and shredder accessory.
2. Remove any labels from the rotary slicer and shredder accessory.
3. Clean the rotary slicer and shredder accessory (see "4 Cleaning and Care").

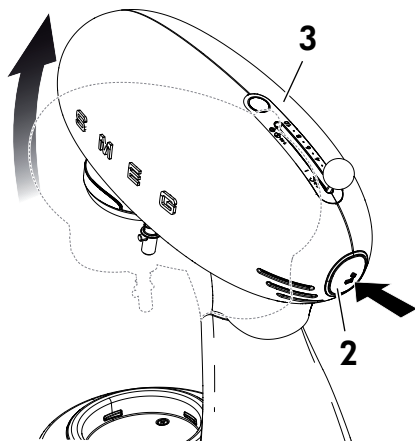


## 3.2 Installing on the stand mixer attachment

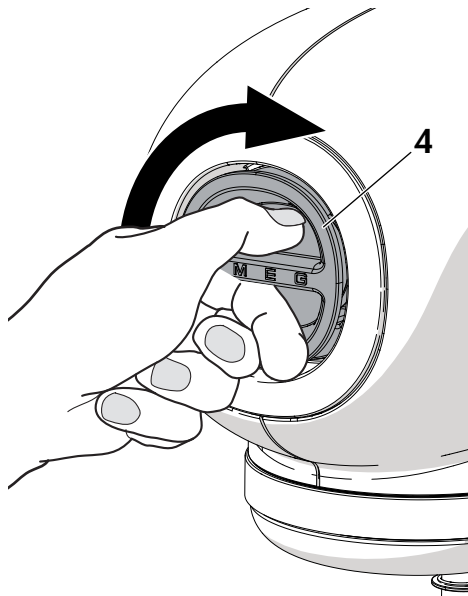
1. Turn off the stand mixer by moving the stand mixer speed selector (1) to the '0' (OFF) position.



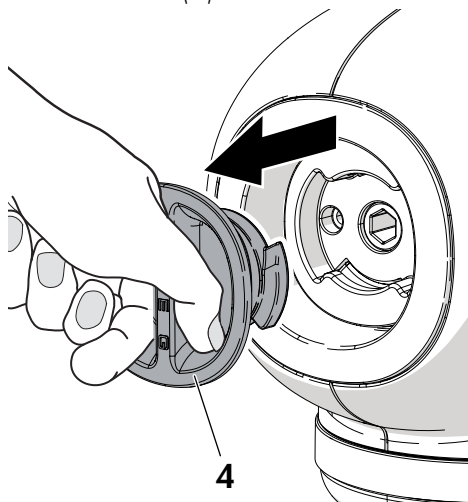
2. Remove the plug from the power socket.
3. Press the release button (2).
4. Hold down the button and raise the head (3), accompanying its movement with your hand.
5. Remove any standard accessories (dough hook, wire whisk, flat beater) which may be fitted.



6. Grasp the front attachment hub cover (4) at the centre and turn it clockwise.

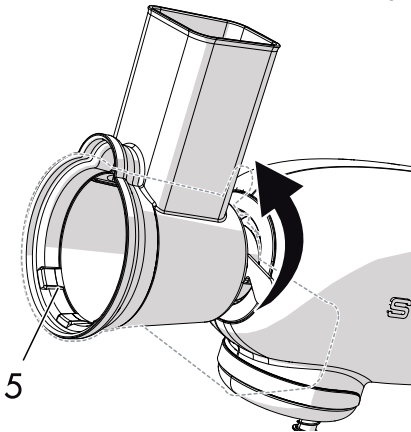
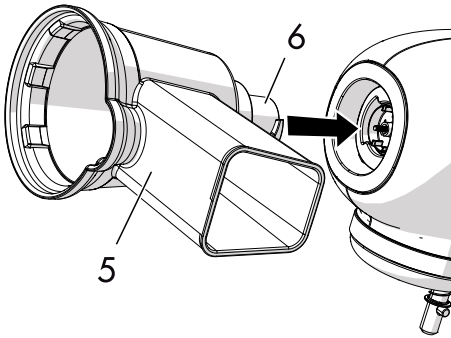


7. Pull the cover (4) to remove it.



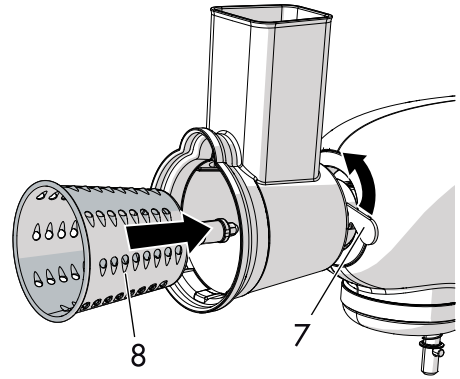


8. Insert the rotary slicer and shredder body (5) following the guide in the attachment hub (6), then turn it 60°.

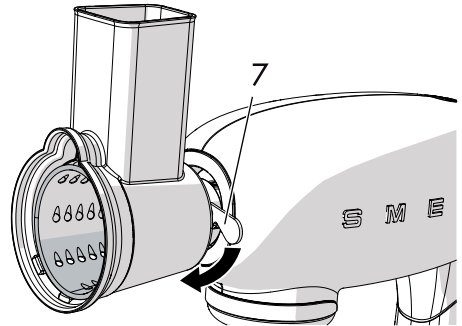


9. Press the release button and lower the stand mixer head, supporting it with your hand as you lower it.

10. Lift the closure (7) and insert the required cylinder (8) inside the body of the rotary slicer and shredder.



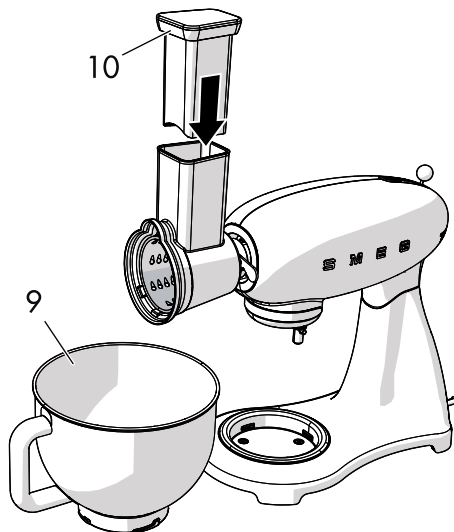
11. Lock the cylinder by lowering the closure (7).





## Use

12. Position the stand mixer bowl (9) underneath the grater to collect the grated food. Use the pusher (10) to help introduce food inside the grater body.



13. To remove the body of the rotary slicer and shredder from the stand mixer attachment, follow the instructions given in point 8 in reverse order.



### Moving parts

#### **Danger of personal injury and damage to the appliance**

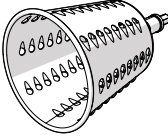
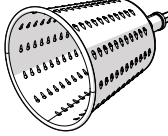
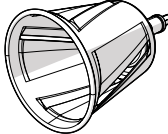
- Do not attach the cylinders directly to the stand mixer attachment. The cylinders must always be inserted inside the body of the rotary slicer and shredder.
- The cylinder blade is sharp. Be very careful when handling it.
- Keep fingers away from the openings.
- Do not touch the rotary slicer and shredder accessory during operation.
- Do not use the rotary slicer and shredder accessory for anything other than the uses specified.



### 3.3 Using the rotary slicer and shredder accessory

1. Cut the food to be grated or sliced into pieces small enough to fit through the top opening of the grater body.
2. Position the body of the rotary slicer and shredder in the stand mixer attachment. Insert the required cylinder inside the rotary slicer and shredder body.
3. Plug the stand mixer into a power socket and select speed **4**.
4. Use the pusher to help introduce food inside the grater body. Take care not to push too hard in order to avoid damage to the rotary slicer and shredder.
5. Move the stand mixer speed selector to the '0' (OFF) position to stop it.

#### Cylinder selection

| Cylinder  | Suitable for  |
|---|---|
| <p><b>Coarse grating</b></p>           | Fruit and vegetables, shelled nuts, chocolate, cheese and cheese rinds. |
| <p><b>Medium grating</b></p>           | Raw vegetables, fruit, shelled nuts, soft cheeses.                      |
| <p><b>Thick or medium slicing</b></p>  | Potatoes, onions, raw vegetables and fruit.                             |



# Cleaning and Care

## 4 Cleaning and Care

### 4.1 Instructions



**Improper use**  
**Danger of electrocution**

- Switch off and unplug the stand mixer before cleaning it and its standard and optional accessories.



**Improper use**  
**Risk of damage to surfaces**

- Do not use steam jets to clean the rotary slicer and shredder accessory.
- Do not use cleaning products that contain chlorine, ammonia or bleach.
- Do not use abrasive or corrosive detergents (e.g. powder products, stain removers and metallic sponges).
- Do not use rough or abrasive materials or sharp metal scrapers.

### 4.2 Maintenance

All service should be performed by an authorized service representative.

### 4.3 Cleaning the rotary slicer and shredder accessory

The body of the rotary slicer and shredder and the pusher can be washed in the dishwasher.

The cylinders must be washed by hand with warm water and neutral soap.

Ensure all parts of the rotary slicer and shredder accessory are thoroughly dry before putting them away or reassembling them.



