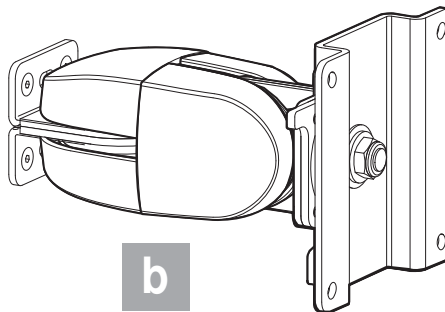
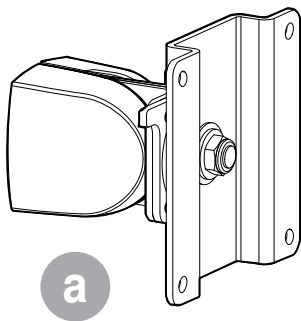
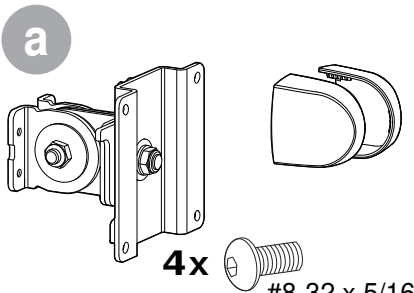
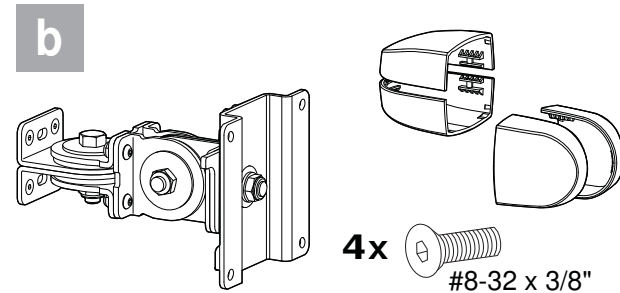
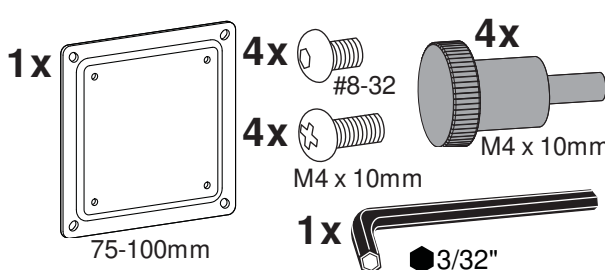
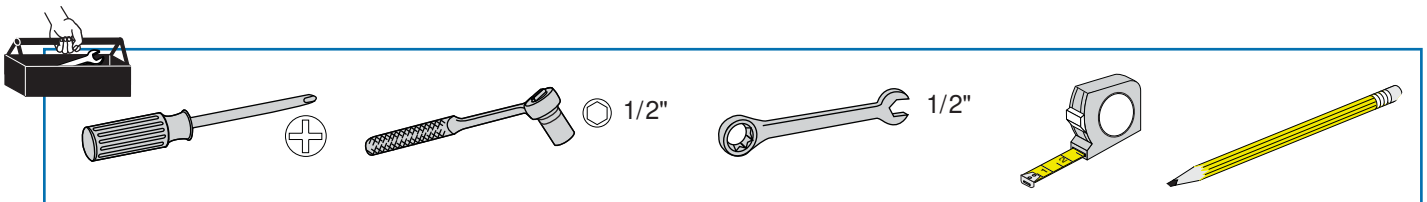


100 Series Flat Panel Monitor Pivots Vertical Surface, Direct Mount

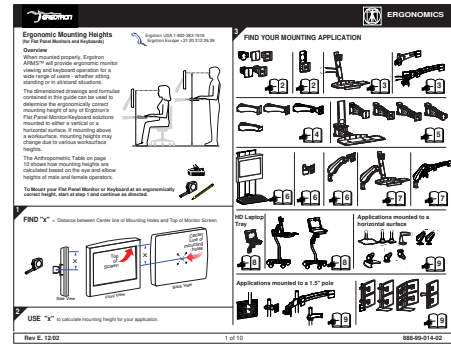
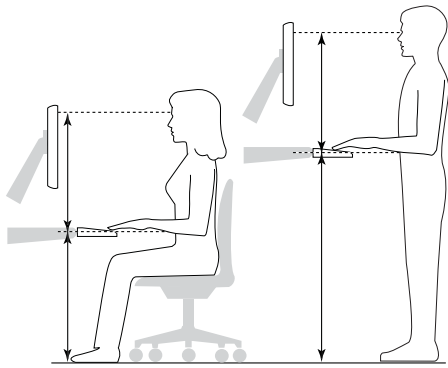
 www.ergotron.com
 USA 1-800-888-8458
 Europe +31 (0)33-45 45 600
 China 86-769-86018920



	A	B
1	 <p>4x #8-32 x 5/16"</p>	 <p>4x #8-32 x 3/8"</p>
2	 <p> 1x 75-100mm 4x #8-32 4x M4 x 10mm 4x M4 x 10mm 1x 3/32" </p>	



1 Determine Ergonomic Mounting Height



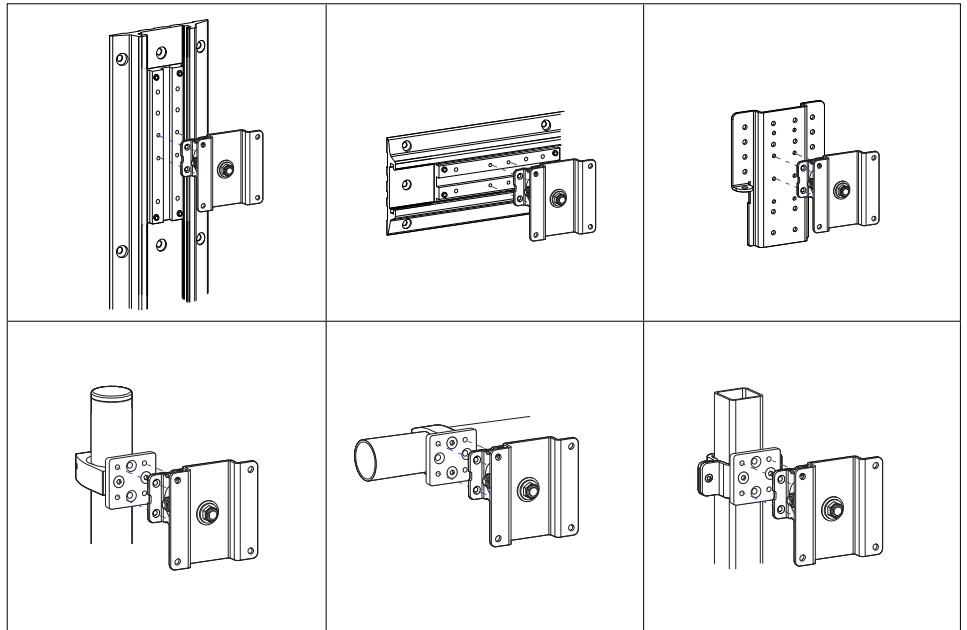
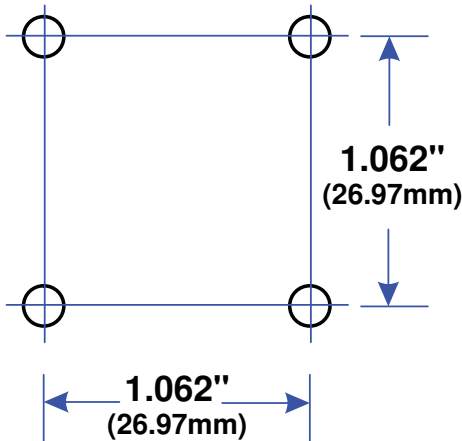
888-99-014

2 Determine Mounting Configuration



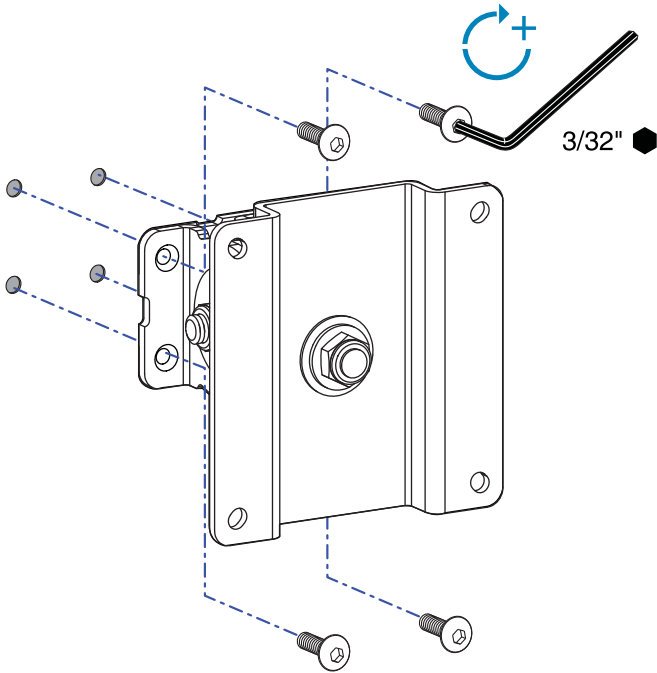
WARNING

Because surfaces vary widely and the ultimate mounting method is out of Ergotron's control, it is imperative that you consult with appropriate engineering, architectural or construction professional to ensure that your Ergotron mounting solution is mounted properly to handle applied loads.

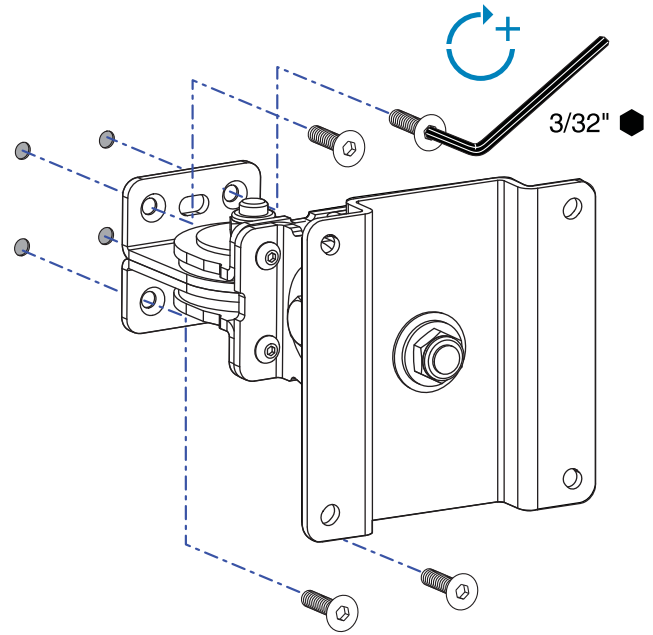


3 Mount Pivot

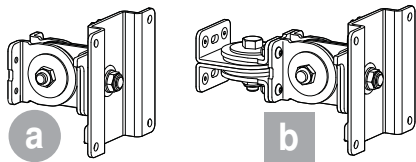
a 4x
#8-32 x 5/16"



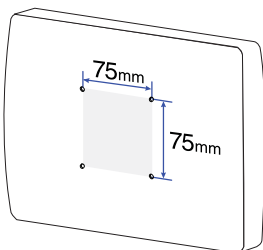
b 4x
#8-32 x 3/8"



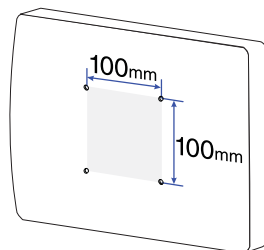
4 Attach Monitor



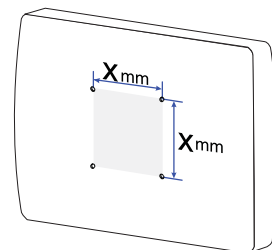
c
75 mm



d
100 mm



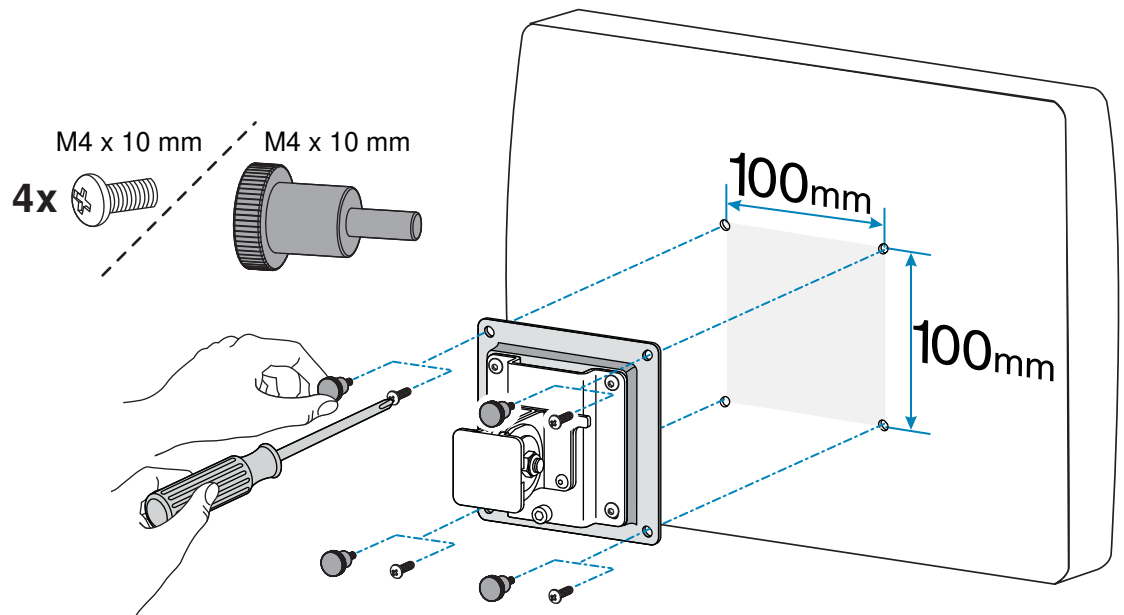
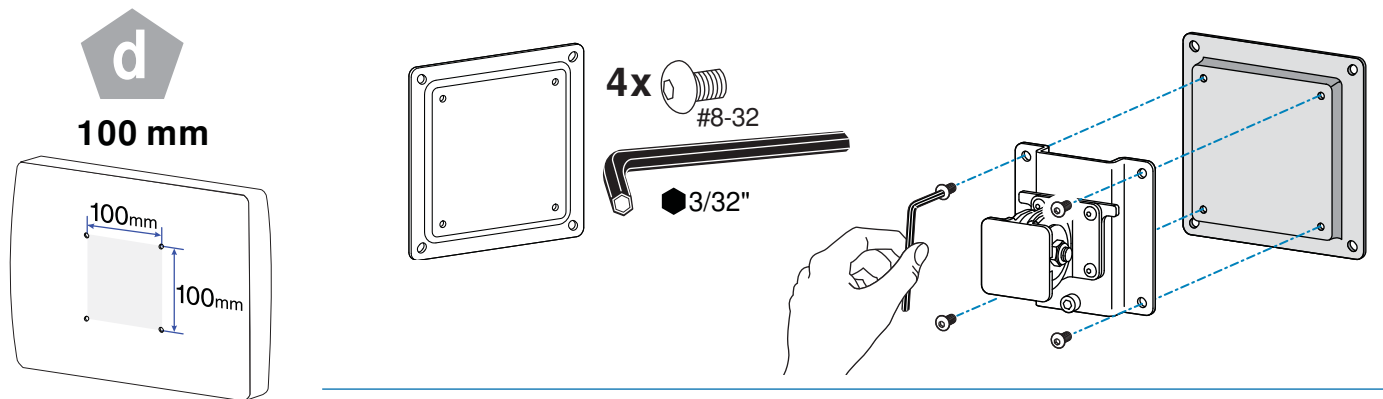
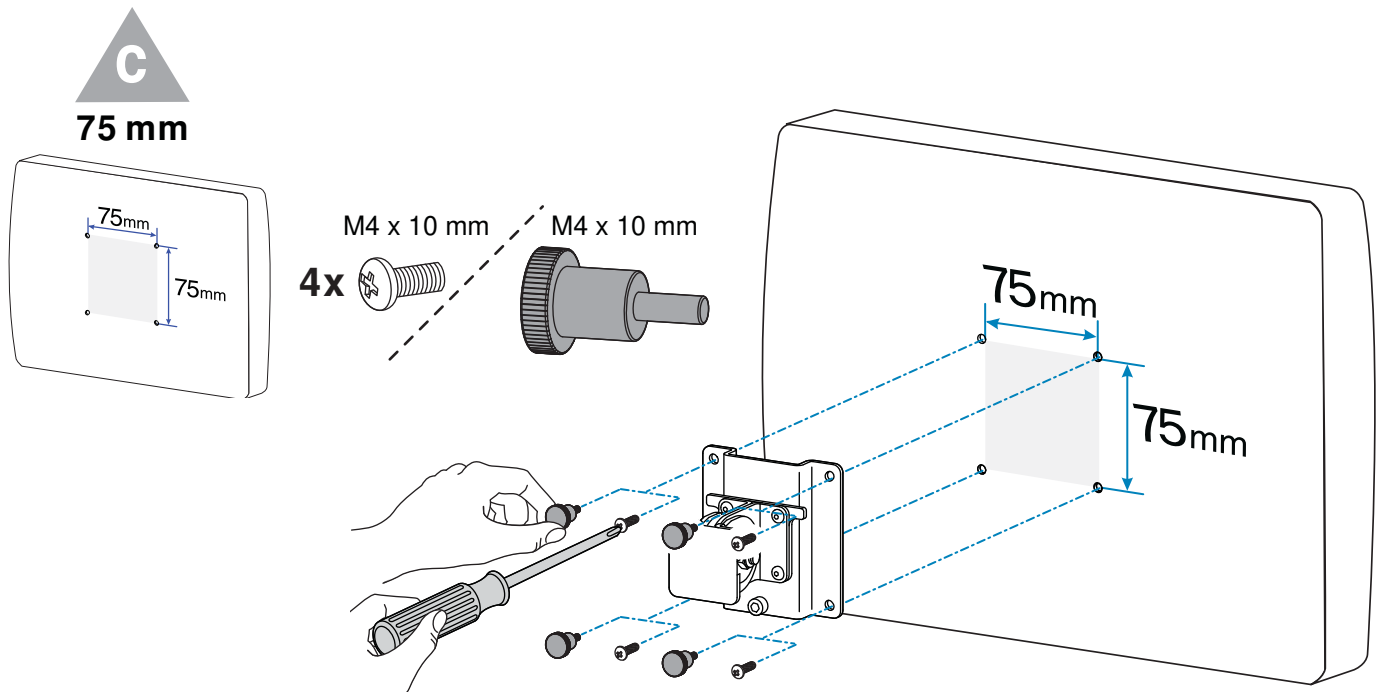
X mm



 www.ergotron.com
USA 1-800-888-8458
Europe +31 (0)33-45 45 600
 China 86-769-86018920

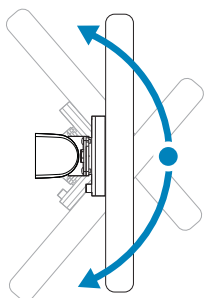


If your monitor uses a screw size other than M4 x 10mm, DO NOT use the M4 x 10mm screws or knob provided as they could result in damage to the monitor.



5 Tilt Motion

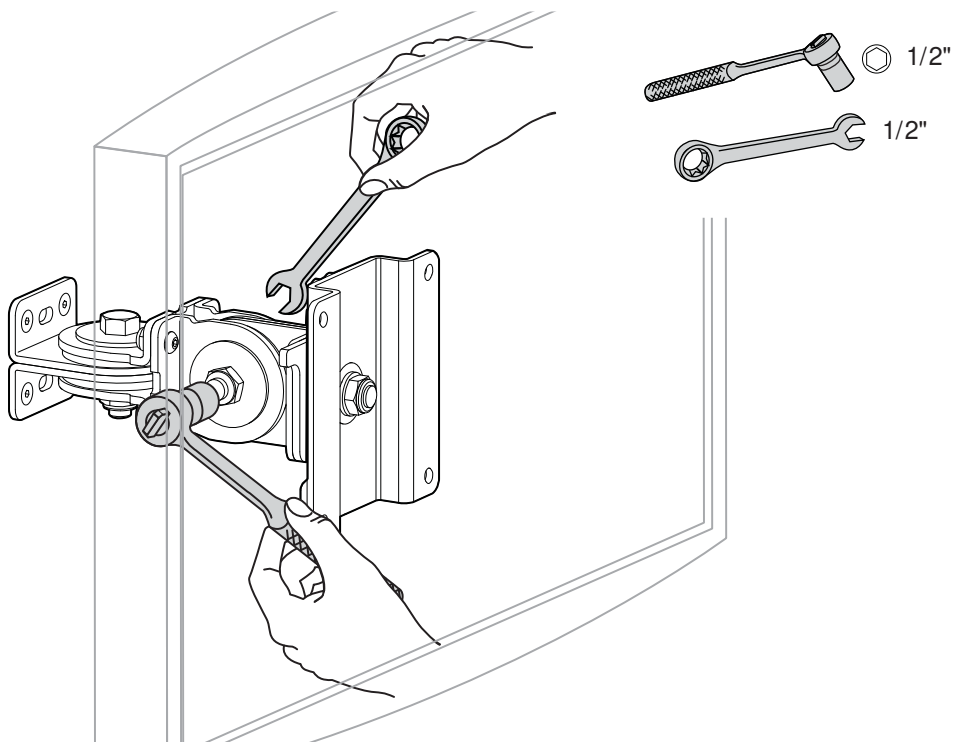
Tilt monitor up and down through entire pivot range of motion. If it does not stay in place or movement in one direction is stiff, pivot needs adjustment - see below. Adjust until monitor stays in place and tilting forces, up or down, are equal.



Adjust Tilt

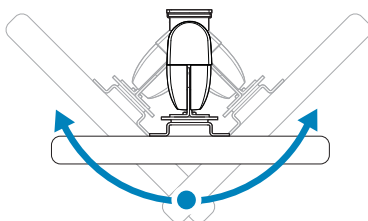
To Increase Tension: Turn screw clockwise.

To Decrease Tension: Turn screw counterclockwise.



6 Side-to-Side Motion

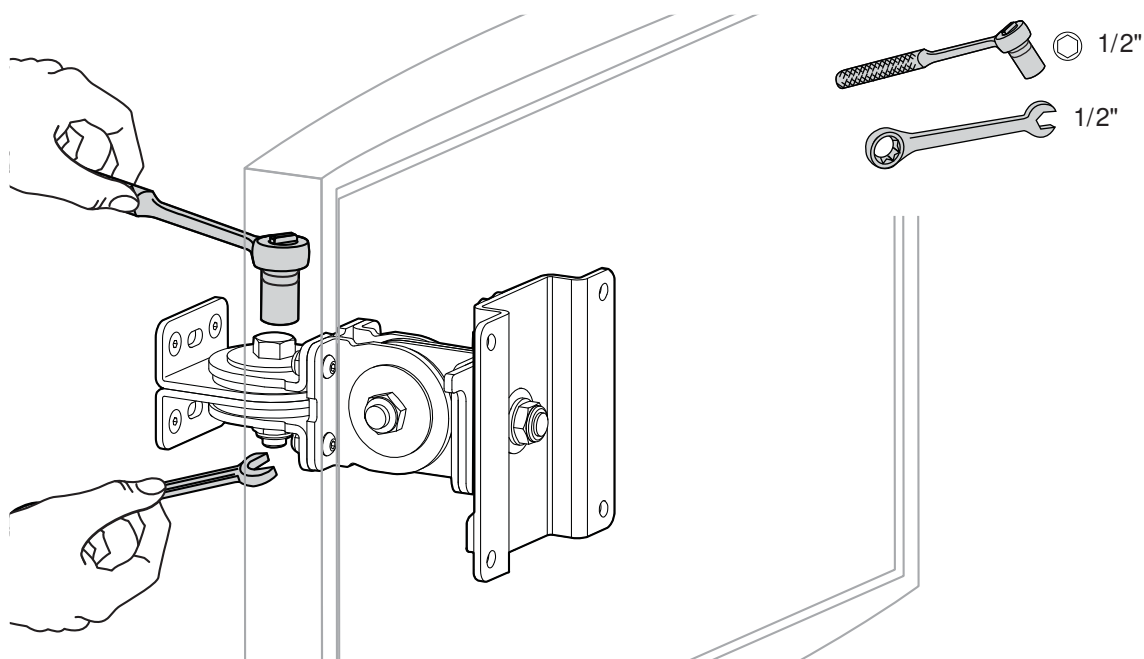
Move monitor side-to-side through entire range of motion. If it does not stay in place at any point it will need adjustment - see below. Adjust so side-to-side moving forces are equal.



Adjust Side-to-Side

To Increase Tension: Turn screw clockwise.

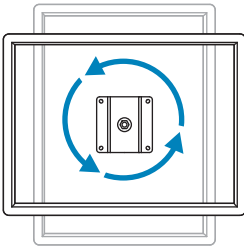
To Decrease Tension: Turn screw counterclockwise.



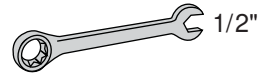
7

Portrait/Landscape

Rotate monitor from Portrait to Landscape through entire range of motion. If it does not stay in place or movement in one direction is stiff, tension needs adjustment - see below. Adjust until monitor stays in place and tension, portrait to landscape, is equal.

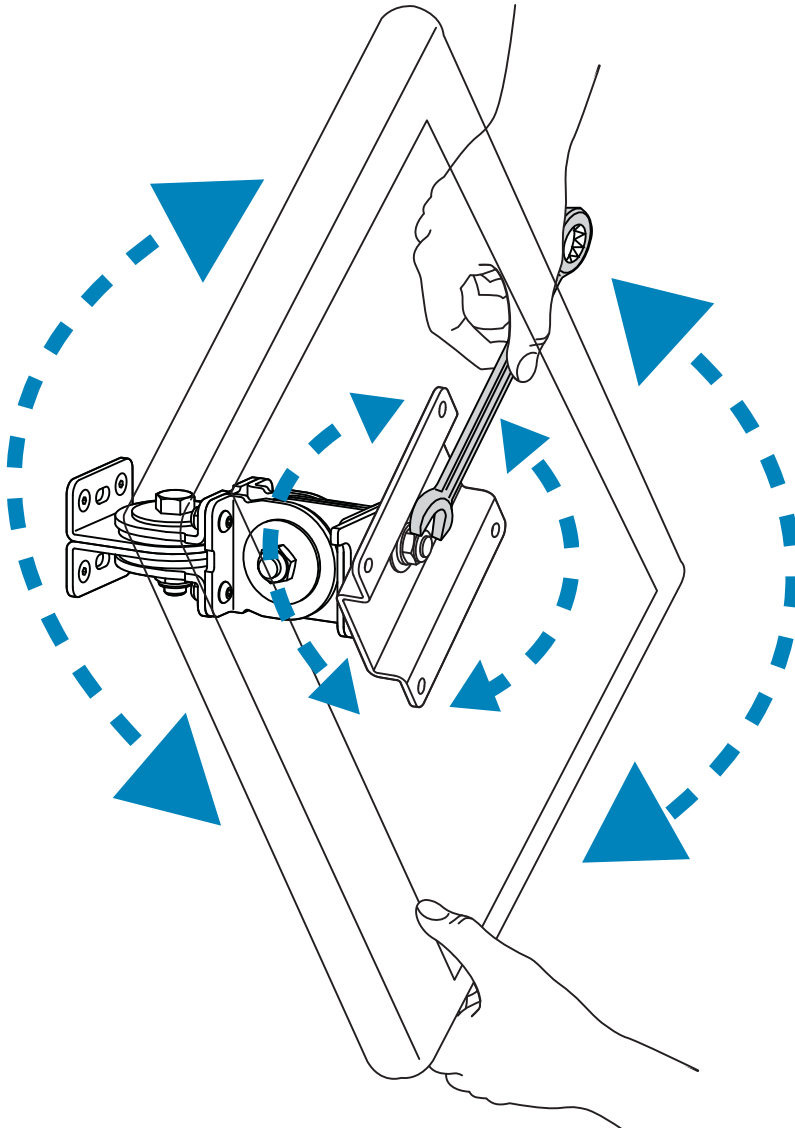


Adjust Portrait/Landscape

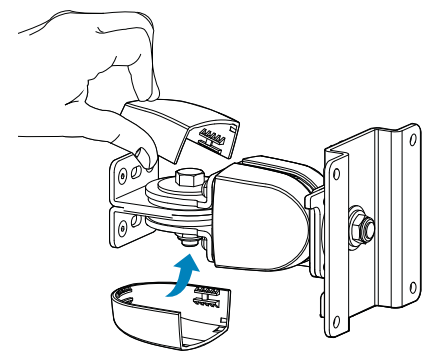
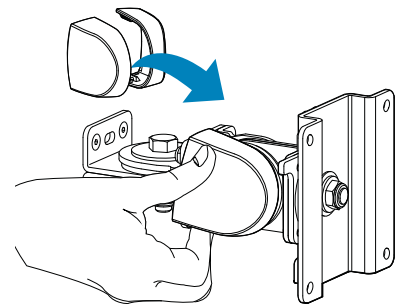
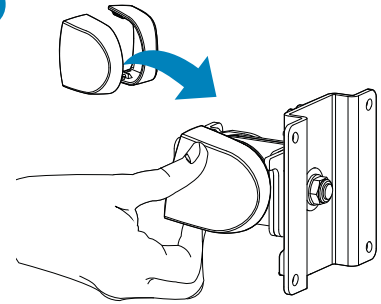


To Increase Tension: Turn screw clockwise.

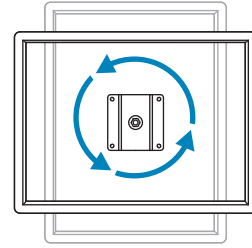
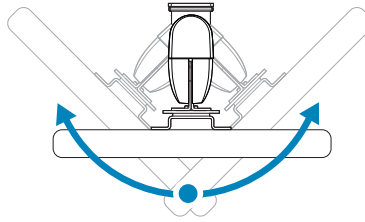
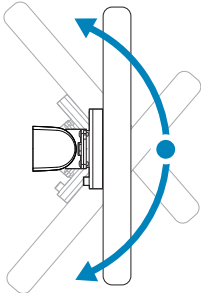
To Decrease Tension: Turn screw counterclockwise.








8



? Troubleshooting



Symptom	Probable Cause	Solution
Monitor tilts up and down too easily or with difficulty.	Pivot Tension needs adjustment.	8 Tilt Motion 
	Monitor exceeds weight capacity*.	 www.ergotron.com USA 1-800-888-8458 Europe +31 (0)33-45 45 600  China 86-769-86018920
Monitor moves side-to-side too easily or with difficulty.	Pivot Tension needs adjustment.	9 Side-to-Side Motion 
Monitor rotates from portrait to landscape too easily or with difficulty.	Pivot Tension needs adjustment.	10 Portrait/Landscape 

*** Weight Capacities:**

