

COMPUTER DESK

ASSEMBLY INSTRUCTIONS

Thank you for choosing to purchase from Piranha Furniture. We trust everything is as expected, however if there are **ANY** issues at all or you have further questions, please don't hesitate to email us and we will resolve the matter as quickly as possible:

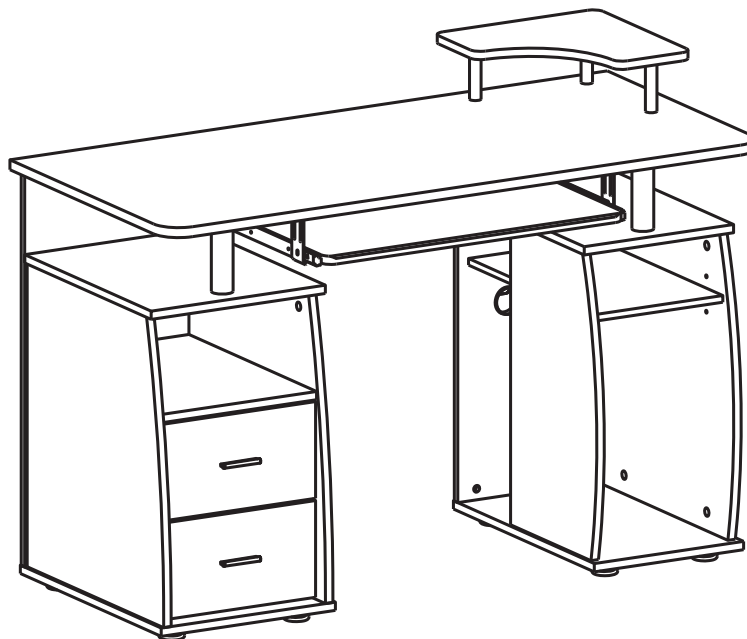
United Kingdom: sales@piranhafurniture.com

Rest of EU: info@piranhaeurope.com

You can contact us through our website www.piranhafurniture.com where you will also find our full range of products.

Please read the assembly instructions carefully before the installation

Retain all packaging as, if required, goods must be returned packed in the original cartons.



TWO PEOPLE REQUIRED

MODEL PC5

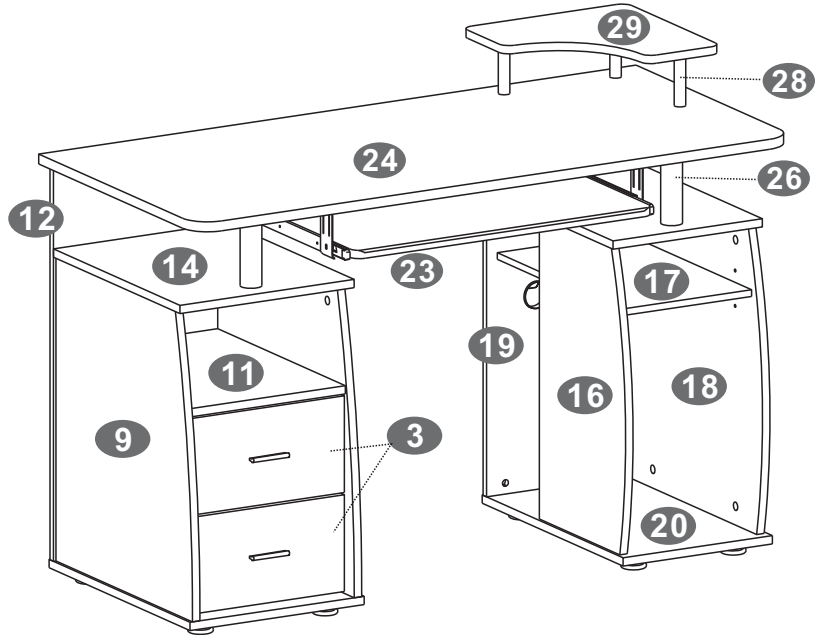
General Care:

Keep furniture out of direct sunlight. Use mats and coasters to protect surfaces.
Do not place hot or wet items directly onto unprotected surfaces.

Cleaning:

Wipe surfaces with a clean damp (not wet) cloth then dry with a clean lint free cotton cloth.
Glass surfaces may be polished with window or other glass cleaning liquids.

▪ PARTS LIST



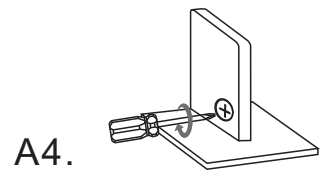
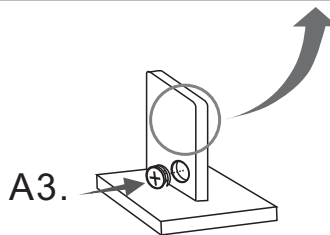
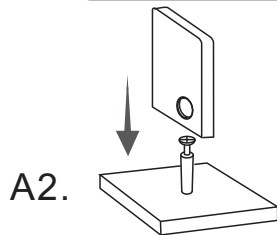
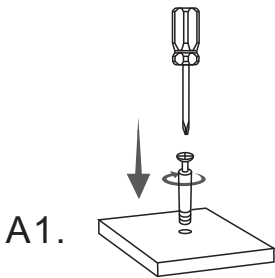
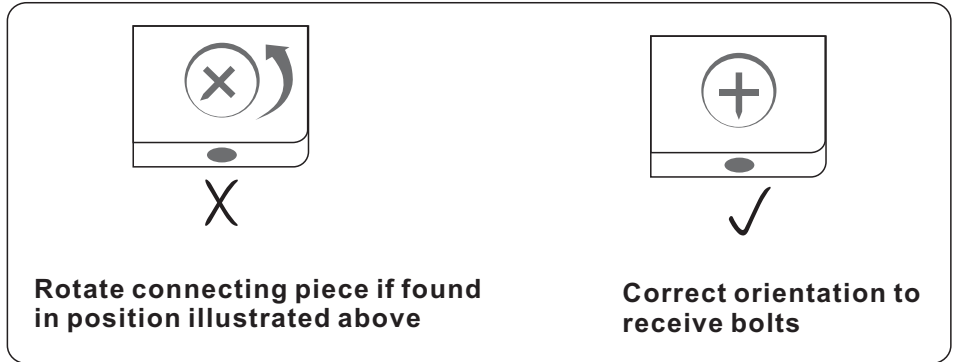
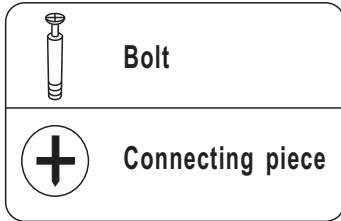
1/2 means this part is packed inside 1st carton

2/2 means this part is packed inside 2nd carton











1/2 X2	1 1	1/2 X2	2 1	1/2 X2	3 1	2/2 X4	4 1
1/2 X2	5 1	1/2 X2	6 1	2/2 X2	7 1	2/2 X2	8 1
2/2 X1	9 1	2/2 X1	10 1	2/2 X1	11 1	1/2 X1	12 1


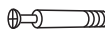


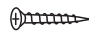


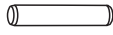
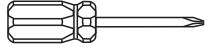
<p>2/2</p> <p>13</p> <p>X1</p>	<p>2/2</p> <p>14</p> <p>X1</p>	<p>2/2</p> <p>15</p> <p>X8</p>	<p>2/2</p> <p>16</p> <p>X1</p>
<p>2/2</p> <p>17</p> <p>X1</p>	<p>2/2</p> <p>18</p> <p>X1</p>	<p>1/2</p> <p>19</p> <p>X1</p>	<p>2/2</p> <p>20</p> <p>X1</p>
<p>2/2</p> <p>21</p> <p>X1</p>	<p>2/2</p> <p>22</p> <p>Right</p> <p>Left</p> <p>14" for keyboard tray</p> <p>X1</p>	<p>2/2</p> <p>23</p> <p>X1</p>	<p>1/2</p> <p>24</p> <p>X1</p>
<p>2/2</p> <p>25</p> <p>X4</p>	<p>2/2</p> <p>26</p> <p>X2</p>	<p>1/2</p> <p>27</p> <p>X1</p>	<p>2/2</p> <p>28</p> <p>X3</p>
			<p>1/2</p> <p>29</p> <p>X1</p>

6X40MM & 6X25MM BOLT INSTALLATION AS BELOW:



▪ SCREWS

PART	QTY.	ITEM	
A	20	6X40 MM	
B	16	3X15 MM	
C	8	4X35 MM	
D	4	4X20 MM	
E	12	4X14 MM	
F	8	6X12 MM	
G	4	4X4 MM	
H	5	6X35 MM	
I	2	Φ40 MM	
J	3	6X25 MM	

PART	QTY.	ITEM	
K	6	5X40 MM	
L	12	6X25 MM	
M	4	Φ5X17 MM	
N	2		
O	8	3X12 MM	
P	20	Φ 15 MM	
Q	12	Φ 12 MM	
R	12	8X30 MM	
	1		

1

▣ SCREWS
O 3X12 MM
 4PCS

2

▣ SCREWS
F 6X12 MM
 2PCS

3

▣ SCREWS
C 4X35 MM
 4PCS

4

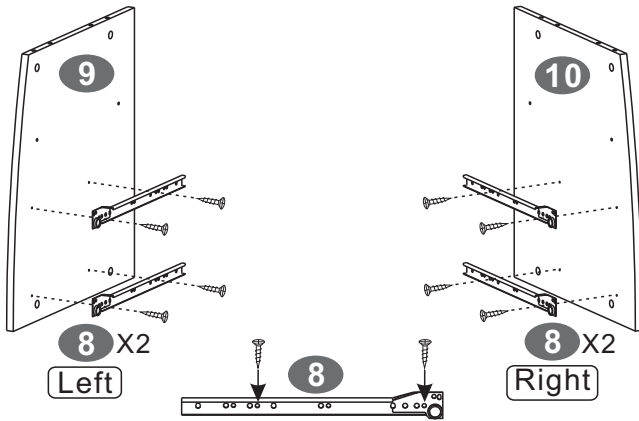
▣ SCREWS
D 4X20 MM
 2PCS

5

REPEAT FOR THE BOX DRAWER

▣ SCREWS
B 3X15 MM
 4PCS

6



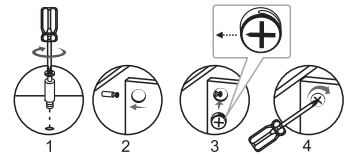
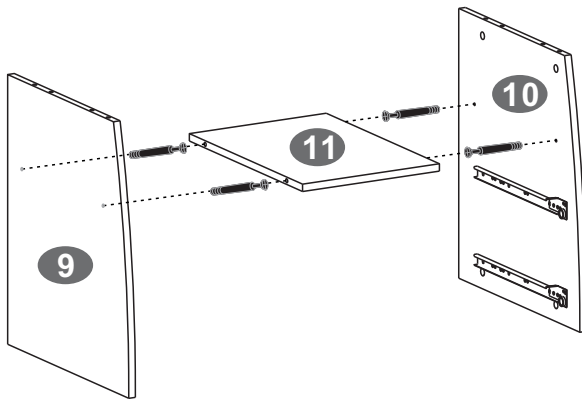
▪ SCREWS

B 3X15 MM

8PCS



7



▪ SCREWS

A 6X40 MM

4PCS

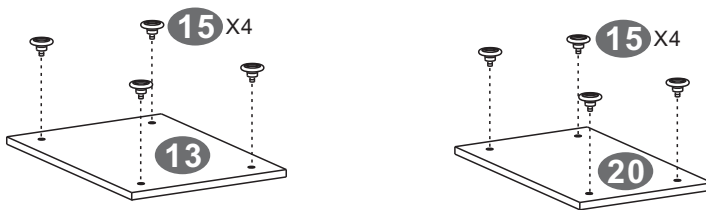


P Φ 15 MM

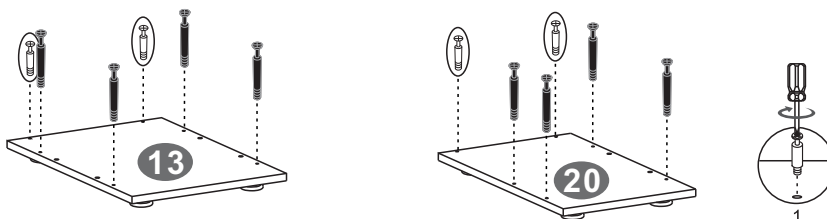
4PCS



8



9



▪ SCREWS

A 6X40 MM

8PCS

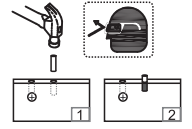
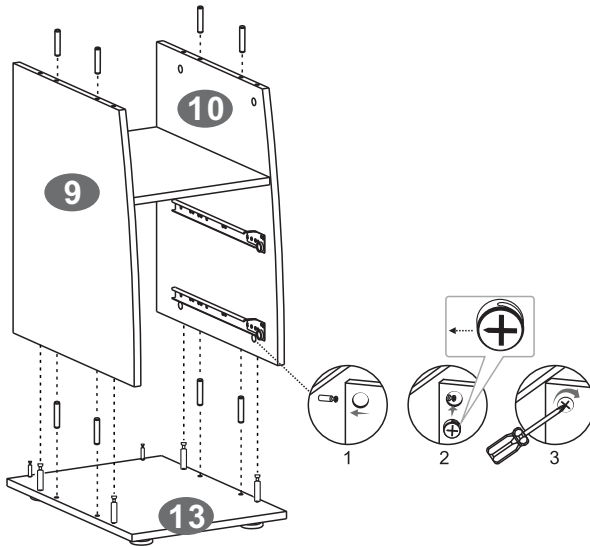


L 6X25 MM

4PCS



10



■ SCREWS

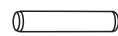
P Φ 15 MM



4PCS

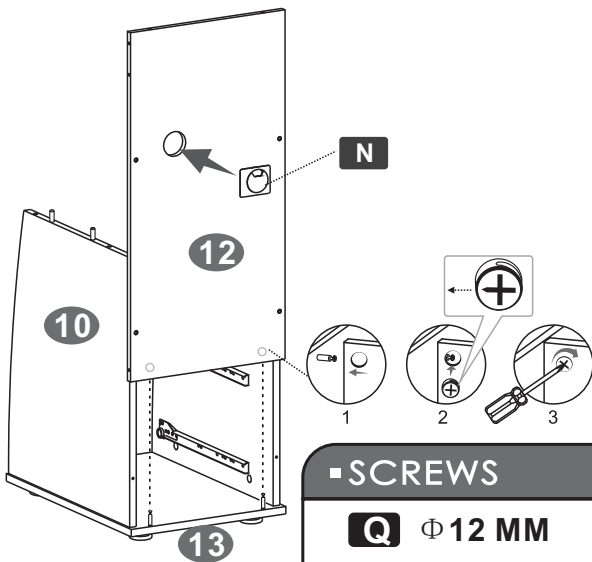


R 8X30 MM



8PCS

11



■ SCREWS

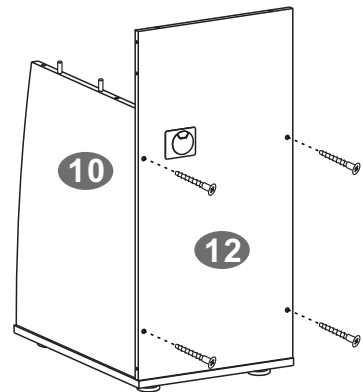
Q Φ 12 MM



2PCS



12



■ SCREWS

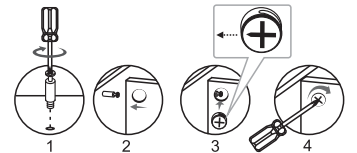
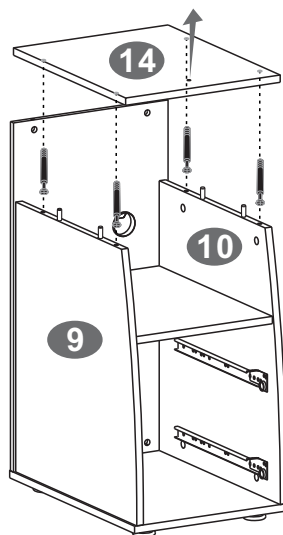
K 5X40 MM



4PCS



13



■ SCREWS

A 6X40 MM



4PCS



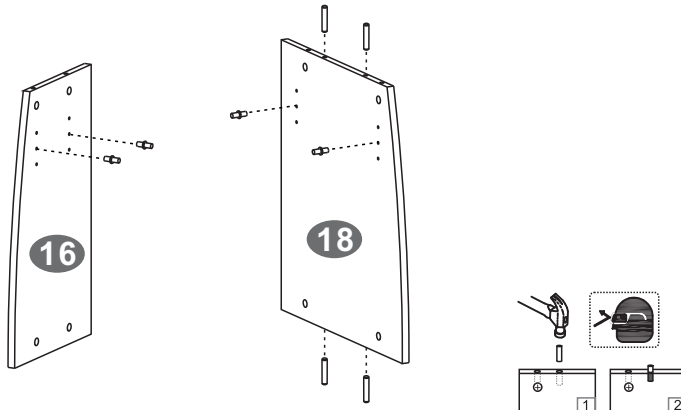
P Φ 15 MM



4PCS



14



SCREWS

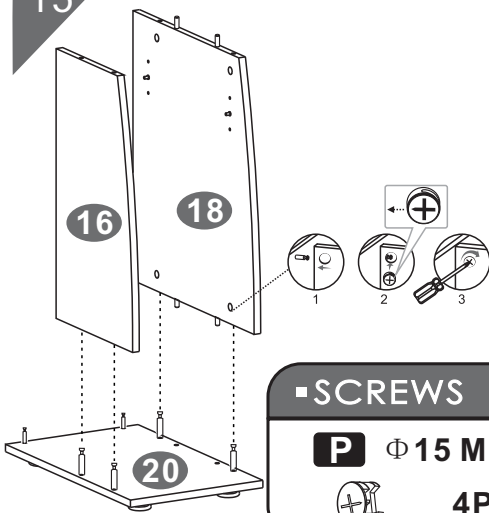
M Φ 5X17 MM

4PCS

R 8X30 MM

4PCS

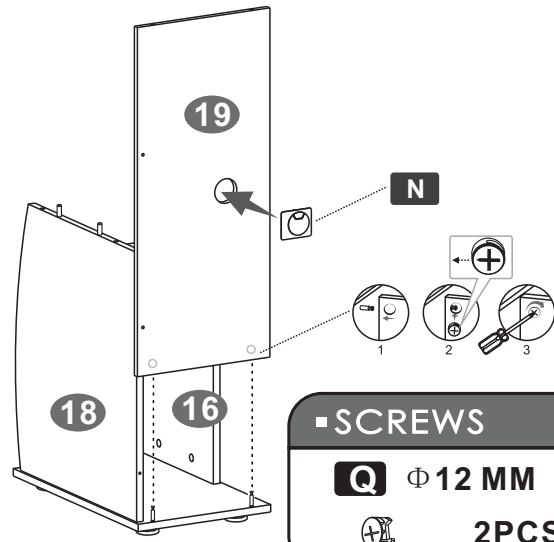
15



SCREWS

P Φ 15 MM

4PCS

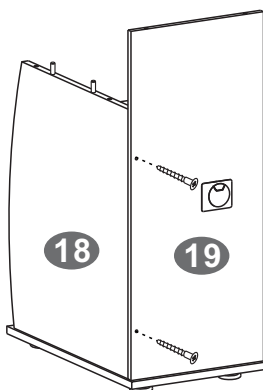


SCREWS

Q Φ 12 MM

2PCS

16

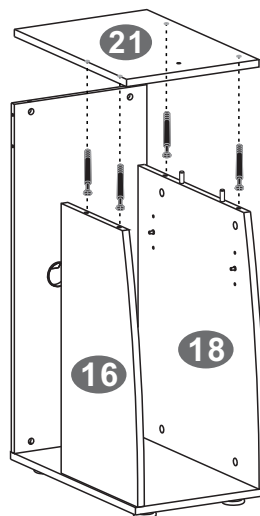


SCREWS

K 5X40 MM

2PCS

17



SCREWS

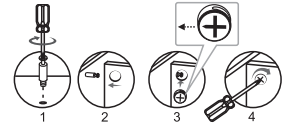
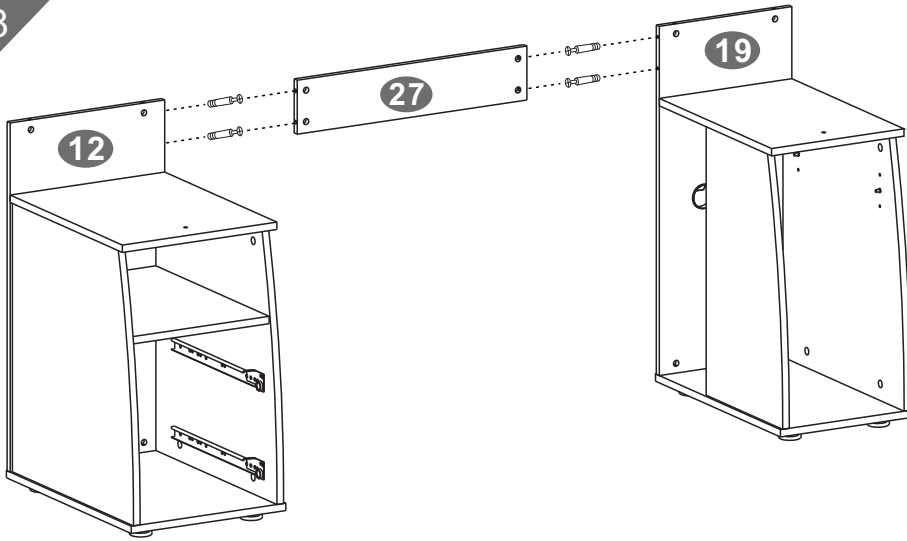
A 6X40 MM

4PCS

P Φ 15 MM

4PCS

18



■ SCREWS

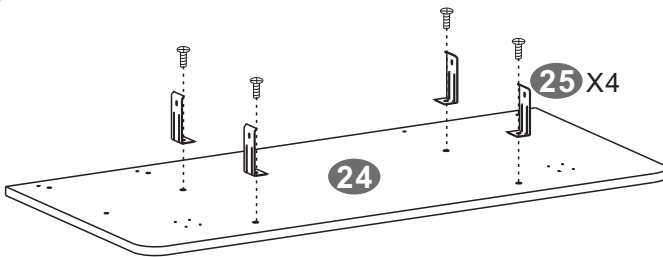
L 6X25 MM

4PCS

Q Φ 12 MM

4PCS

19

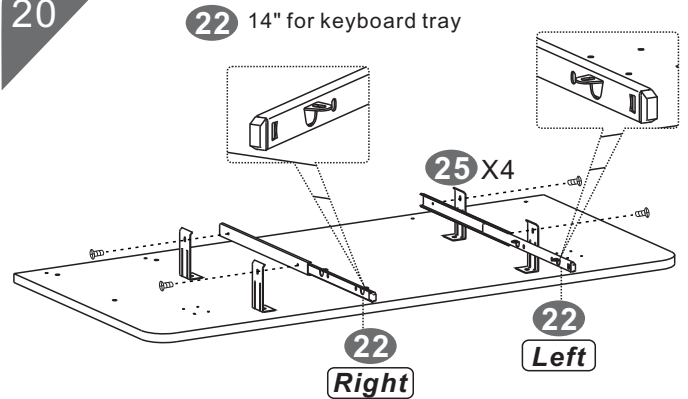


■ SCREWS

F 6X12 MM

4PCS

20

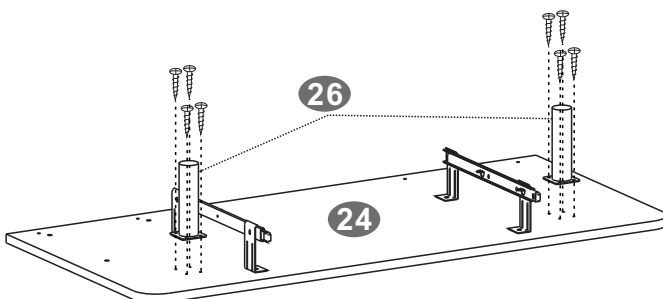


■ SCREWS

G 4X4 MM

4PCS

21

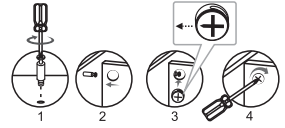
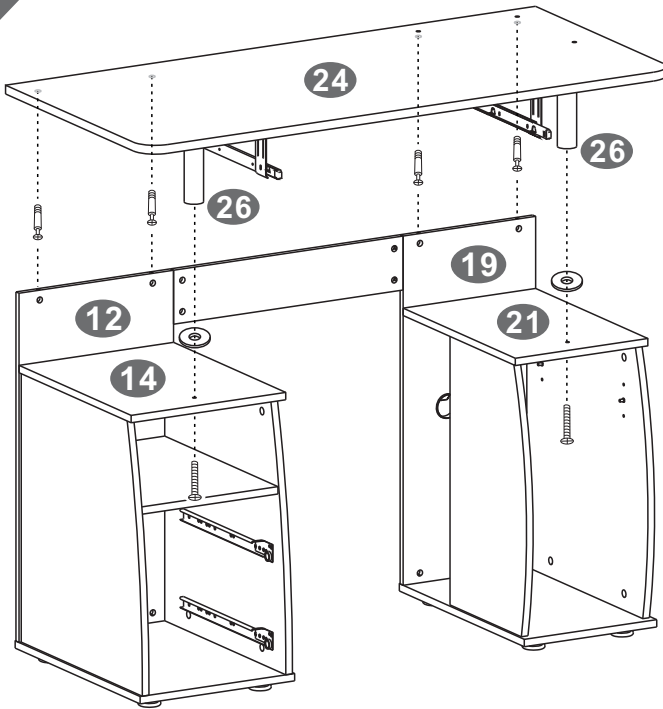


■ SCREWS

E 4X14 MM

8PCS

22



SCREWS

H 6X35 MM

2PCS

I Φ 40 MM

2PCS

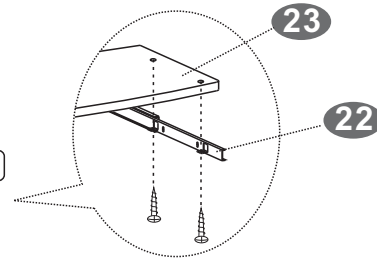
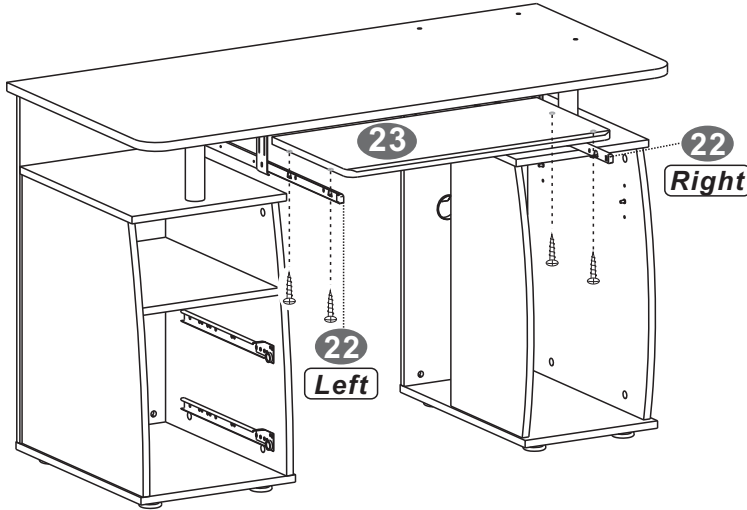
L 6X25 MM

4PCS

Q Φ 12 MM

4PCS

23

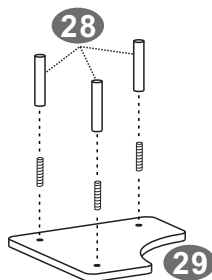


SCREWS

E 4X14 MM

4PCS

24

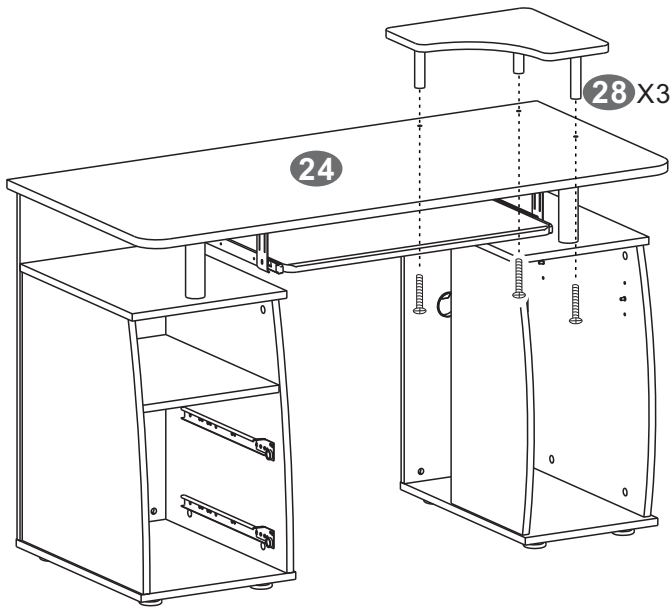


SCREWS

J 6X25 MM

3PCS

25



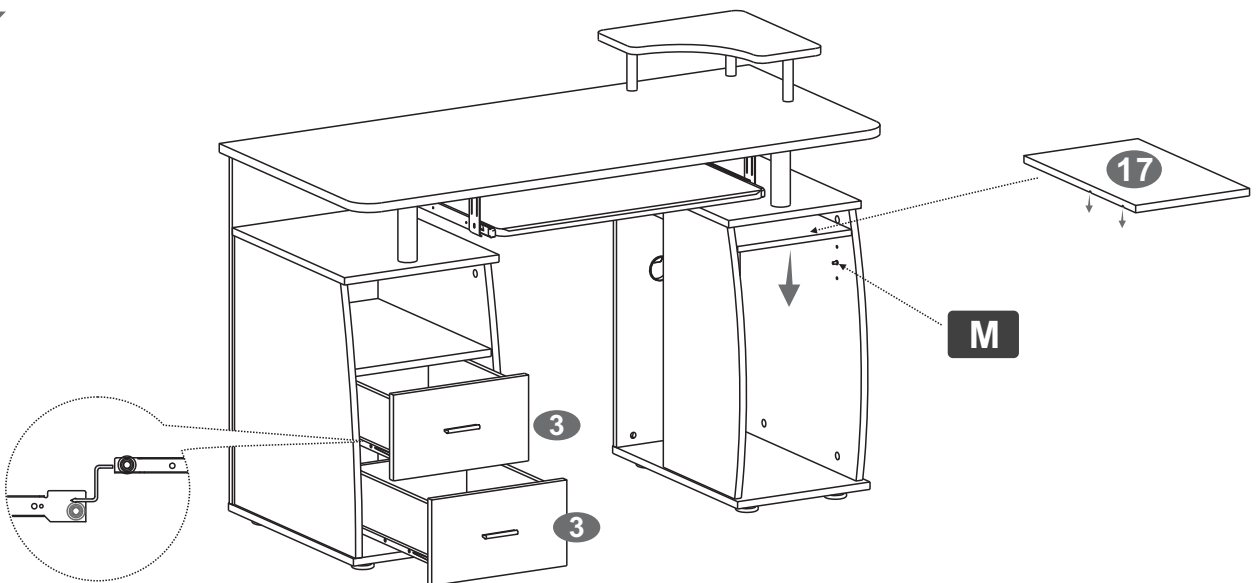
■ SCREWS

H 6X35 MM

3PCS



26



27

