



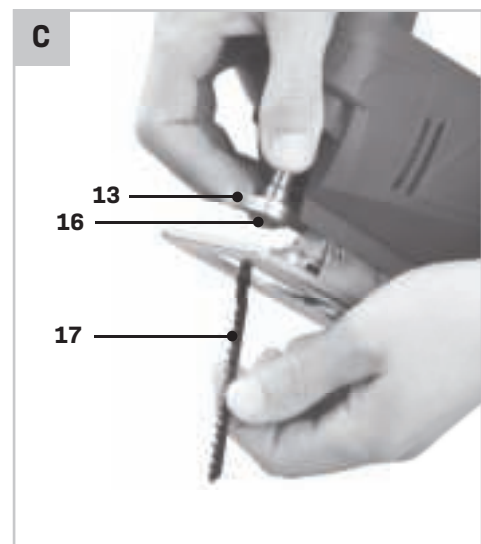
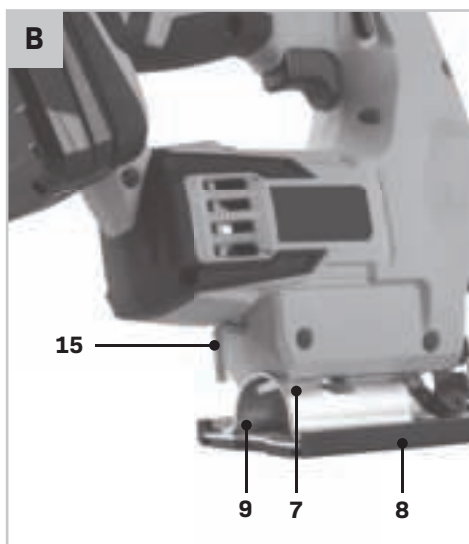
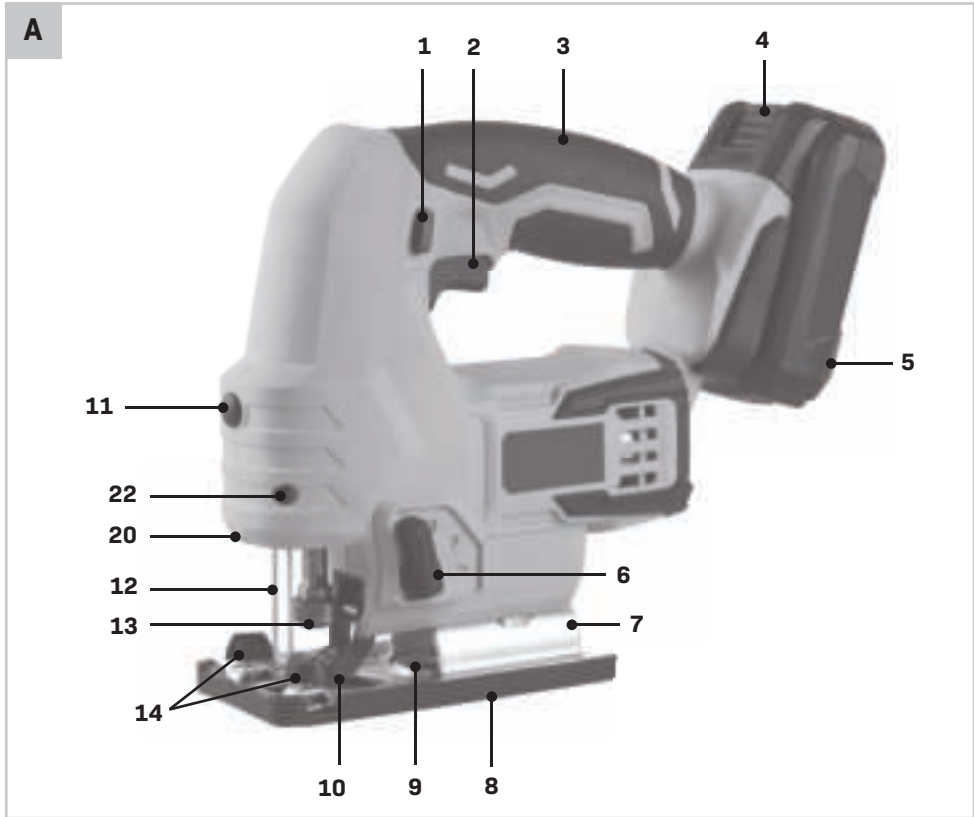
VONROC®

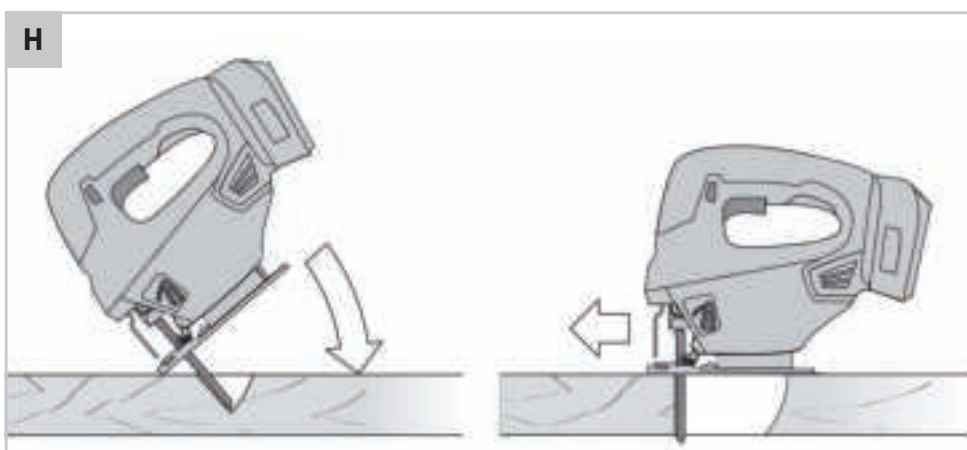
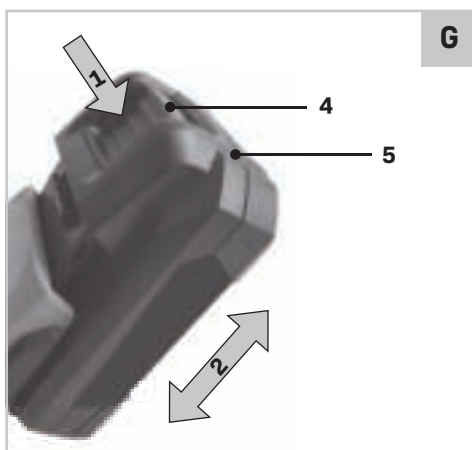
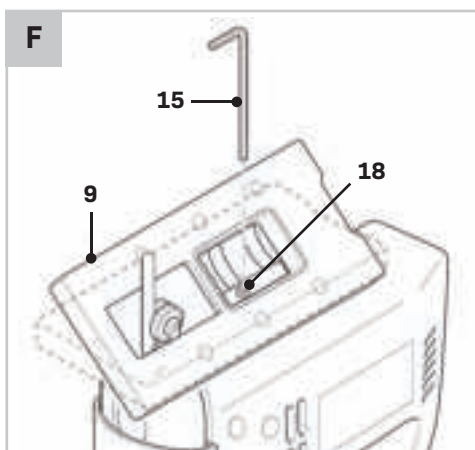
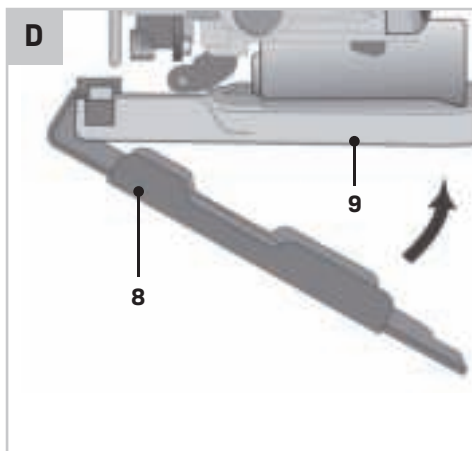
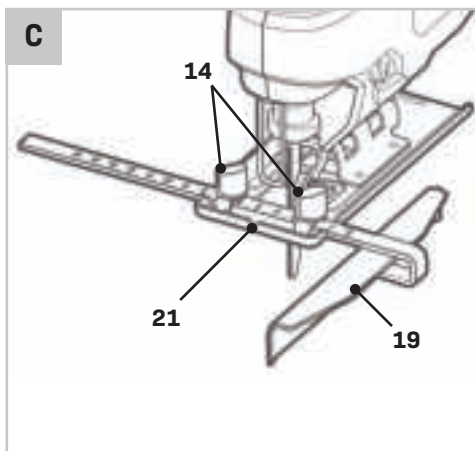
BUILD YOUR FUTURE

JIG SAW JS501DC



EN	Original Instructions	04
DE	Übersetzung Der Originalbetriebsanleitung	10
NL	Vertaling van de oorspronkelijke gebruiksaanwijzing	16
FR	Traduction de la notice originale	23
ES	Traducción del manual original	30
IT	Traduzione delle istruzioni originali	36
PL	Tłumaczenie instrukcji oryginalnej	43
TR	Orijinal talimatların çevirisi	50





1. SAFETY INSTRUCTIONS

Read the enclosed safety warnings, the additional safety warnings and the instructions. Failure to follow the safety warnings and the instructions may result in electric shock, fire and/or serious injury. Save the safety warnings and the instructions for future reference.

The following symbols are used in the user manual or on the product:



Read the user manual.



Denotes risk of personal injury, loss of life or damage to the tool in case of non-observance of the instructions in this manual.



Keep bystanders, especially children and pets, at a distance greater than 10m.



Wear eye protection.



Wear ear protection.



Wear a dust mask protection.



Danger Area! Keep hands far away (10cm) from the cutting area while the machine is running. Danger of injury when coming in contact with the saw blade.



Warning of laser radiation.



The product is in accordance with the applicable safety standards in the European directives.

GENERAL POWER TOOL SAFETY WARNINGS



WARNING! Read all safety warnings and all instructions. Failure to follow the warnings and instructions may result in electric shock, fire and/or serious injury.

Save all warnings and instructions for future reference.

The term “power tool” in the warnings refers to your mains-operated (corded) power tool or battery-operated (cordless) power tool.

1) Work area safety

- a) **Keep the work area clean and well lit.** Cluttered or dark areas invite accidents.
- b) **Do not operate power tools in explosive atmospheres, such as in the presence of flammable liquids, gases or dust.** Power tools create sparks which may ignite the dust or fumes.
- c) **Keep children and bystanders away while operating a power tool.** Distractions can cause you to lose control.

2) Electrical safety

- a) **Power tool plugs must match the outlet. Never modify the plug in any way. Do not use any adapter plugs with earthed (grounded) power tools.** Unmodified plugs and matching outlets will reduce risk of electric shock.
- b) **Avoid body contact with earthed or grounded surfaces, such as pipes, radiators, ranges and refrigerators.** There is an increased risk of electric shock if your body is earthed or grounded.
- c) **Do not expose power tools to rain or wet conditions.** Water entering a power tool will increase the risk of electric shock.
- d) **Do not abuse the cord. Never use the cord for carrying, pulling or unplugging the power tool. Keep cord away from heat, oil, sharp edges or moving parts.** Damaged or entangled cords increase the risk of electric shock.
- e) **When operating a power tool outdoors, use an extension cord suitable for outdoor use.** Use of a cord suitable for outdoor use reduces the risk of electric shock.
- f) **If operating a power tool in a damp location is unavoidable, use a residual current device (RCD) protected supply.** Use of an RCD reduces the risk of electric shock.

3) Personal safety

- a) **Stay alert, watch what you are doing and use common sense when operating a power tool. Do not use a power tool while you are tired or under the influence of drugs, alcohol or medication.** A moment of inattention while operating power tools may result in serious personal injury.
- b) **Use personal protective equipment. Always wear eye protection.** Protective equipment such as dust mask, non-skid safety shoes, hard hat, or hearing protection used for appropriate conditions will reduce personal injuries.
- c) **Prevent unintentional starting. Ensure the**

- switch is in the off-position before connecting to power source and/or battery pack, picking up or carrying the tool.** Carrying power tools with your finger on the switch or energising power tools that have the switch on invites accidents.
- d) **Remove any adjusting key or wrench before turning the power tool on.** A wrench or a key left attached to a rotating part of the power tool may result in personal injury.
 - e) **Do not overreach. Keep proper footing and balance at all times.** This enables better control of the power tool in unexpected situations.
 - f) **Dress properly. Do not wear loose clothing or jewellery. Keep your hair, clothing and gloves away from moving parts.** Loose clothes, jewellery or long hair can be caught in moving parts.
 - g) **If devices are provided for the connection of dust extraction and collection facilities, ensure these are connected and properly used.** Use of dust collection can reduce dust related hazards.
 - h) **Do not let familiarity gained from frequent use of tools allow you to become complacent and ignore tool safety principles.** A careless action can cause severe injury within a fraction of a second.
- 4) Power tool use and care**
- a) **Do not force the power tool. Use the correct power tool for your application.** The correct power tool will do the job better and safer at the rate for which it was designed.
 - b) **Do not use the power tool if the switch does not turn it on and off.** Any power tool that cannot be controlled with the switch is dangerous and must be repaired.
 - c) **Disconnect the plug from the power source and/or the battery pack from the power tool before making any adjustments, changing accessories, or storing power tools.** Such preventive safety measures reduce the risk of starting the power tool accidentally.
 - d) **Store idle power tools out of the reach of children and do not allow persons unfamiliar with the power tool or these instructions to operate the power tool.** Power tools are dangerous in the hands of untrained users.
 - e) **Maintain power tools. Check for misalignment or binding of moving parts, breakage of parts and any other condition that may affect the power tool's operation. If damaged, have the power tool repaired before use.** Many accidents are caused by poorly maintained power tools.
 - f) **Keep cutting tools sharp and clean.** Properly maintained cutting tools with sharp cutting edges are less likely to bind and are easier to control.
 - g) **Use the power tool, accessories and tool bits etc. in accordance with these instructions, taking into account the working conditions and the work to be performed.** Use of the power tool for operations different from those intended could result in a hazardous situation.
 - h) **Keep handles and grasping surfaces dry, clean and free from oil and grease.** Slippery handles and grasping surfaces do not allow for safe handling and control of the tool in unexpected situations.
- 5) Battery tool use and care**
- a) **Recharge only with the charger specified by the manufacturer.** A charger that is suitable for one type of battery pack may create a risk of fire when used with another battery pack.
 - b) **Use power tools only with specifically designed battery packs.** Use of any other battery packs may create a risk of injury and fire.
 - c) **When battery pack is not in use, keep it away from other metal objects, like paper clips, coins, keys, nails, screws or other small metal objects that can make a connection from one terminal to another.** Shorting the battery terminals together may cause burns or a fire.
 - d) **Under abusive conditions, liquid may be ejected from the battery; avoid contact. If contact accidentally occurs, flush with water. If liquid contacts eyes, additionally seek medical help.** Liquid ejected from the battery may cause irritation or burns.
 - e) **Do not use a battery pack or tool that is damaged or modified.** Damaged or modified batteries may exhibit unpredictable behaviour resulting in fire, explosion or risk of injury.
 - f) **Do not expose a battery pack or tool to fire or excessive temperature.** Exposure to fire or temperature above 130 °C may cause explosion. NOTE The temperature „130 °C“ can be replaced by the temperature „265 °F“.
 - g) **Follow all charging instructions and do not charge the battery pack or tool outside the temperature range specified in the instructions.** Charging improperly or at temperatures outside the specified range may damage the battery and increase the risk of fire.

6) Service

- a) **Have your power tool serviced by a qualified repair person using only identical replacement parts.** This will ensure that the safety of the power tool is maintained.
- b) **Never service damaged battery packs.** Service of battery packs should only be performed by the manufacturer or authorized service providers.

SAFETY WARNINGS FOR JIG SAWS

- **Warning of laser radiation.** Laser class 2, P max.: <1 mW, λ : 650 nm, EN 60825-1:2014. Do not look directly into the laser beam or the opening from which it emerges. Never point the laser beam at people, animals or reflective surfaces. Even brief eye contact can lead to eye damage. Examining the laser output aperture by use of optical instruments (e.g. magnifying glass, magnifiers and the like) entails the risk of eye damage. When working with a laser of class 2, observe the national regulations on wearing eye protection.
- **Hold power tool by insulated gripping surfaces, when performing an operation where the cutting accessory may contact hidden wiring.** Cutting accessory contacting a "live" wire may make exposed metal parts of the power tool "live" and could give the operator an electric shock.
- **Keep hands away from the sawing range.** Do not reach under the workpiece. Contact with the saw blade can lead to injuries.
- **Apply the machine to the workpiece only when switched on.** Otherwise there is danger of kickback when the cutting tool jams in the workpiece.
- **Pay attention that the base plate rests securely on the material while sawing.** A jammed saw blade can break or lead to kickback.
- **When the cut is completed, switch off the machine and then pull the saw blade out of the cut only after it has come to a standstill.** In this manner you can avoid kickback and can place down the machine securely.
- **Use only undamaged saw blades that are in perfect condition.** Bent or dull saw blades can break, negatively influence the cut, or lead to kickback.
- **Do not brake the saw blade to a stop by applying side pressure after switching off.** The saw blade can be damaged, break or cause kickback.
- **Use appropriate detectors to determine if utility lines are hidden in the work area or call the local utility company for assistance.** Contact with

electric lines can lead to fire and electric shock. Damaging a gas line can lead to explosion. Penetrating a water line causes property damage.

- **Secure the workpiece.** A workpiece clamped with clamping devices or in a vice is held more secure than by hand.
- **Always wait until the machine has come to a complete stop before placing it down.** The tool insert can jam and lead to loss of control over the power tool.
- **Use clamps or another practical way to secure and support the workpiece to a stable platform.** Holding the workpiece by hand or against your body leaves it unstable and may lead to loss of control.

2. MACHINE INFORMATION

Intended use

The machine is intended for sawing wood, metal, plastics, ceramics, rubber, etc. to any required size and in any required shape, while keeping the baseplate resting firmly on the workpiece. A suitable saw blade must always be used.

TECHNICAL SPECIFICATIONS

Model No.	JS501DC
Rated voltage	20V
No load speed	0-2500/min
Saw stroke	25mm
Max. saw capacity wood 0°	50mm
Max. saw capacity steel 0°	8mm
Weight	1.85 kg
Sound pressure level L_{PA}	82.0 dB(A), K=3dB(A)
Sound power level L_{WA}	93.0 dB(A), K=3dB(A)
Vibration 'sawing sheet metal'	5.459 m/s ² K=1.5 m/s ²
Vibration 'sawing plywood'	5.658 m/s ² K=1.5 m/s ²

Only use the following batteries of the VONROC VPO-WER 20V battery platform. Using any other batteries could cause serious injury or damage the tool.

CD801AA	20V, 2Ah Lithium-Ion
CD803AA	20V, 4Ah Lithium-Ion

The following charger of the can be used to charge these batteries.

CD802AA	Quick charger
---------	---------------

The batteries of the VONROC VPOWER 20V battery platform are interchangeable with all the VONROC VPOWER 20V battery platform tools.

Vibration level

The vibration emission level stated in this instruction manual has been measured in accordance with a standardized test given in EN 62841; it may be used to compare one tool with another and as a preliminary assessment of exposure to vibration when using the tool for the applications mentioned.

- Using the tool for different applications, or with different or poorly maintained accessories, may significantly increase the exposure level.
- The times when the tool is switched off or when it is running but not actually doing the job, may significantly reduce the exposure level.

Protect yourself against the effects of vibration by maintaining the tool and its accessories, keeping your hands warm, and organizing your work patterns.

DESCRIPTION

The numbers in the text refer to the diagrams on page 2-3.

1. Lock-off button
2. On/off switch
3. Handle
4. Battery (not included)
5. Battery unlock button
6. Pendulum action switch
7. Scale for bevel angle
8. Baseplate cover
9. Baseplate
10. Guide roller
11. Laser switch
12. Guard
13. Clamping lever
14. Wing bolts for parallel guide
15. Hex key
16. Chuck
17. Saw blade
18. Bolt for baseplate
19. Parallel guide
20. Laser
21. Cutting mark
22. Laser adjustment screw

3. ASSEMBLY



Before any work on the power tool, remove the battery.



The battery must be charged before first use.

Inserting the battery into the machine (Fig. A, G)



Ensure that the exterior of the battery is clean and dry before connecting to the charger or machine.

1. Insert the battery (4) into the base of the machine as shown in Fig. G.
2. Push the battery further forward until it clicks into place.

Removing the battery from the machine (Fig. A, G)

1. Push the battery unlock button (5)
2. Pull the battery out of the machine like shown in Fig. G.

Replacing the saw blade (Fig. A, C)



When mounting the saw blade, wear protective gloves. Danger of injury when touching the saw blade.



Only use saw blades that correspond with the characteristic data given in the operating instructions.

Mounting the saw blade



Make sure the blade holder is free of material debris (such as splinters of wood or metal).

1. Turn the clamping lever (13) as far to the left as possible and hold it in this position.
2. Insert the saw blade in the chuck (16). Check that the saw blade is securely fixed and that the teeth are pointing in the cutting direction.
3. Let go of the clamping lever. Check whether the back of the saw blade is positioned in the centre of the guide roller (10).

Make sure to use the right sawblade for the corresponding material. Included with the machine is a coarse sawblade for wood and a fine sawblade for metal and plastics.

Removing the saw blade

1. Turn the clamping lever (13) as far to the left as possible and hold it in this position.
2. Remove the saw blade from the chuck (16).
3. Let go of the clamping lever.

Attaching the parallel guide (Fig. D)

1. Loosen the wing bolts (14).
2. Mount the parallel guide (19) onto the baseplate (9).
3. Set the desired cutting width using the scale on the parallel guide (14) and the cutting mark on the baseplate (20). The cutting mark (20) indicates the position of the saw blade.
4. Tighten the wing bolt (14).

4. OPERATION**Switching the machine on/off (Fig. A)**

The on/off switch (2) is used for activating the machine and adjusting speed.

- To start the machine, press and hold the lock-off button (1) and press the on/off switch (2).
- The further the on/off switch (2) is being pushed, the faster the blade will move. The required speeds depends on the material and can be determined by practical testing.
- To stop the machine, release the on/off switch (2).

Switching the laser on/off (Fig. A)

- Press the laser switch (11) to switch the laser on or off. The laser switch (11) also turns on the LED worklight.

Fine-tuning the laser

Note: To test the laser function, the battery must be inserted into the power tool.



While adjusting the laser, never activate the on/off switch. Accidental starting of the power tool can lead to injuries.

If the laser (11) ceases to indicate the correct cutting line, you can readjust the laser. To do so, adjust the laser adjustment screw (22) and set the laser until it indicates a correct cutting line.

Adjusting the bevel angle (Fig. B, F)

1. Loosen the bolt (18), using the hex key (15).
2. Adjust the baseplate (9) to the desired position (0°- 45°). The sawing angle (bevel) can be read

on the scale (7).

3. Tighten the bolt (7), using the hex key (15). It is possible to store the hex key onto the machine, as shown on Fig. B.

Adjusting the pendulum action (Fig. A)

The pendulum action switch is used to set the way in which the teeth of the saw blade grip the material.

The pendulum action switch can be set to 4 positions:

- 0 - No pendulum action
- 1 - Small pendulum action
- 2 - Medium pendulum action
- 3 - Large pendulum action

The required pendulum action can be determined by practical testing, although the following instructions can be observed:

- Soft material (wood, plastics etc.): set the pendulum to level II or III. For a finer and cleaner saw cut, use pendulum level 0 or I.
- Thin material, use pendulum level 0.
- Hard material (steel etc.): set the pendulum to level 0.
- Curves: set pendulum to level 0.

Plunge cutting (Fig. H)

Plunge cutting may only be used on soft materials such as wood, aerated concrete, gypsum plaster boards, etc. However, this requires a certain practice and is only possible with short saw blades.

1. Place the saw onto the workpiece and switch it on.
2. Ensure that the bottom edge of the footplate rests on the workpiece surface as shown on Fig. H.
3. Slowly saw into the workpiece at an angle, moving the saw to a vertical position and continue to saw along the cutting line.
4. Switch the saw off and lift off the workpiece when the work is complete.

Optimum use

- Clamp the workpiece. Use a clamping device for small workpieces.
- Draw a line to define the direction in which to guide the saw blade.
- Firmly hold the machine by the grip.
- Set the sawing speed.
- Set the mitre angle.
- Switch on the machine.
- Wait until the machine has reached full speed.
- Place the saw shoe on the workpiece.
- Slowly move the machine along the pre-drawn

line, firmly pressing the saw shoe against the workpiece.

- Do not apply too much pressure on the machine. Let the machine do the work.
- Switch off the machine and wait for the machine to come to a complete standstill before putting the machine down.

5. MAINTENANCE



Before cleaning and maintenance, always switch off the machine and remove the battery pack from the machine.

Clean the machine casings regularly with a soft cloth, preferably after each use. Make sure that the ventilation openings are free of dust and dirt. Remove very persistent dirt using a soft cloth moistened with soapsuds. Do not use any solvents such as gasoline, alcohol, ammonia, etc. Chemicals such as these will damage the synthetic components.

ENVIRONMENT



Faulty and/or discarded electrical or electronic apparatus have to be collected at the appropriate recycling locations.

Only for EC countries

Do not dispose of power tools into domestic waste. According to the European Guideline 2012/19/EC for Waste Electrical and Electronic Equipment and its implementation into national right, power tools that are no longer usable must be collected separately and disposed of in an environmentally friendly way.

WARRANTY

VONROC products are developed to the highest quality standards and are guaranteed free of defects in both materials and workmanship for the period lawfully stipulated starting from the date of original purchase. Should the product develop any failure during this period due to defective material and/or workmanship then contact VONROC directly.

The following circumstances are excluded from this guarantee:

- Repairs and or alterations have been made or attempted to the machine by unauthorized service centers;

- Normal wear and tear;
- The tool has been abused, misused or improperly maintained;
- Non-original spare parts have been used.

This constitutes the sole warranty made by company either expressed or implied. There are no other warranties expressed or implied which extend beyond the face hereof, herein, including the implied warranties of merchantability and fitness for a particular purpose. In no event shall VONROC be liable for any incidental or consequential damages. The dealers remedies shall be limited to repair or replacement of nonconforming units or parts.

The product and the user manual are subject to change. Specifications can be changed without further notice.

1. SICHERHEITSANWEISUNGEN

Lesen Sie die beiliegenden Sicherheitsanweisungen, die zusätzlichen Sicherheitsanweisungen sowie diese Bedienungsanleitung sorgfältig durch. Bei Nichtbeachten der Sicherheitsanweisungen und der Bedienungsanleitung kann es zu einem Stromschlag, einem Brand und/oder schweren Verletzungen kommen. Bewahren Sie die Sicherheitsanweisungen und die Bedienungsanleitung zur künftigen Bezugnahme sicher auf.

Folgende Symbole werden im Benutzerhandbuch oder auf dem Produkt verwendet:



Benutzerhandbuch/Bedienungsanleitung lesen.



Lebens- und Verletzungsgefahr und Gefahr von Beschädigungen am Werkzeug/Gerät bei Nichteinhaltung der Anweisungen in dieser Bedienungsanleitung.



Halten Sie Zuschauer fern.



Augenschutz tragen.



Ohrenschützer tragen.



Tragen Sie eine Staubschutzmaske.



Gefahrenbereich! Halten Sie die Hände (10 cm) vom Schnittbereich entfernt während die Maschine in Betrieb ist. Verletzungsgefahr, wenn man in Kontakt mit dem Sägeblatt gerät.



Warnung vor Laserstrahlung.



Das Produkt entspricht den geltenden Sicherheitsnormen der europäischen Richtlinien.

ALLGEMEINE SICHERHEITSHINWEISE



ACHTUNG! Lesen Sie alle Sicherheitshinweise und Anweisungen. Fehler bei der Einhaltung der nachstehend aufgeführten Anweisungen können elektrischen Schlag, Brand und/oder schwere Verletzungen verursachen.

Bewahren Sie diese Anweisungen gut auf. Der nachfolgend verwendete Begriff „Elektrowerkzeug“ bezieht sich auf netzbetriebene Elektrowerkzeuge (mit Netzkabel) und auf akkubetriebene Elektrowerkzeuge (ohne Netzkabel).

1) Arbeitsplatz

- a) **Halten Sie Ihren Arbeitsbereich sauber und aufgeräumt.** Unordnung und unbeleuchtete Arbeitsbereiche können zu Unfällen führen.
- b) **Arbeiten Sie mit dem Gerät nicht in explosionsgefährdeter Umgebung, in der sich brennbare Flüssigkeiten, Gase oder Staub befinden.** Elektrowerkzeuge erzeugen Funken, die den Staub oder die Dämpfe entzünden können.
- c) **Halten Sie Kinder und andere Personen während der Benutzung des Elektrowerkzeugs fern.** Bei Ablenkung können Sie die Kontrolle über das Gerät verlieren.

2) Elektrische Sicherheit

- a) **Der Anschlussstecker des Gerätes muss in die Steckdose passen. Der Netzstecker darf in keiner Weise verändert werden. Verwenden Sie keine Adapterstecker gemeinsam mit schutzgeerdeten Geräten. Unveränderte Netzstecker und passende Steckdosen verringern das Risiko eines elektrischen Schlages.**
- b) **Vermeiden Sie Körperkontakt mit geerdeten Oberflächen, wie von Röhren, Heizungen, Herden und Kühlschränken.** Es besteht ein erhöhtes Risiko durch elektrischen Schlag, wenn Ihr Körper geerdet ist.
- c) **Halten Sie das Gerät von Regen oder Nässe fern.** Das Eindringen von Wasser in ein Elektrogerät erhöht das Risiko eines elektrischen Schlages.
- d) **Zweckentfremden Sie das Netzkabel nicht, um das Gerät zu tragen, aufzuhängen oder um den Netzstecker aus der Steckdose zu ziehen. Halten Sie das Netzkabel fern von Hitze, Öl, scharfen Kanten oder sich bewegenden Geräteteilen.** Beschädigte oder verwickelte Netzkabel erhöhen das Risiko eines elektrischen Schlages.
- e) **Wenn Sie mit einem Elektrowerkzeug im Freien arbeiten, verwenden Sie nur Verlängerungskabel, die auch für den Außenbereich zugelassen sind.** Die Anwendung eines für den Außenbereich geeigneten Verlängerungskabels verringert das Risiko eines elektrischen Schlages
- f) **Wenn sich Arbeiten mit einem Elektrowerkzeug**

in feuchten Umgebungen nicht vermeiden lassen, verwenden Sie eine Stromversorgung mit einer Fehlerstrom-Schutzeinrichtung (RCD).

Durch die Verwendung einer RCD wird die Gefahr eines elektrischen Schlags verringert.

3) Sicherheit von Personen

- a) **Seien Sie aufmerksam. Achten Sie darauf, was Sie tun, und gehen Sie mit Vernunft an die Arbeit mit einem Elektrowerkzeug. Benutzen Sie das Gerät nicht, wenn Sie müde sind oder unter dem Einfluss von Drogen, Alkohol oder Medikamenten stehen.** Ein Moment der Unachtsamkeit beim Gebrauch des Gerätes kann zu ernsthaften Verletzungen führen.
- b) **Tragen Sie persönliche Schutzausrüstung und immer eine Schutzbrille.** Das Tragen persönlicher Schutzausrüstung, wie Staubmaske, rutschfeste Sicherheitsschuhe, Schutzhelm oder Gehörschutz, je nach Art und Einsatz des Elektrowerkzeuges, verringert das Risiko von Verletzungen.
- c) **Vermeiden Sie eine unbeabsichtigte Inbetriebnahme. Vergewissern Sie sich, dass der Schalter in der Position „AUS(0)“ ist, bevor Sie den Netzstecker in die Steckdose stecken.** Wenn Sie beim Tragen des Gerätes den Finger am Schalter haben oder das Gerät eingeschaltet an die Stromversorgung anschließen, kann dies zu Unfällen führen.
- d) **Entfernen Sie Einstellwerkzeuge oder Schraubenschlüssel, bevor Sie das Gerät einschalten.** Ein Werkzeug oder Schlüssel, der sich in einem drehenden Geräteteil befindet, kann zu Verletzungen führen.
- e) **Überschätzen Sie sich nicht. Sorgen Sie für einen sicheren Stand und halten Sie jederzeit das Gleichgewicht.** Dadurch können Sie das Gerät in unerwarteten Situationen besser kontrollieren.
- f) **Tragen Sie geeignete Kleidung. Tragen Sie keine weite Kleidung oder Schmuck. Halten Sie Haare, Kleidung und Handschuhe fern von sich bewegenden Teilen.** Lockere Kleidung, Schmuck oder lange Haare können von sich bewegenden Teilen erfasst werden.
- g) **Wenn Staubabsaug- und -auffangeinrichtungen montiert werden können, vergewissern Sie sich, dass diese angeschlossen sind und richtig verwendet werden.** Das Verwenden dieser Einrichtungen verringert Gefährdungen durch Staub.
- h) **Achten Sie darauf, nicht durch häufigen**

Gebrauch von Werkzeugen nachlässig zu werden und die Prinzipien zum sicheren Umgang mit den Werkzeugen zu ignorieren.

Eine unachtsame Handlung kann innerhalb von Sekundenbruchteilen schwere Verletzungen verursachen.

4) Sorgfältiger Umgang und Gebrauch von Elektrowerkzeugen

- a) **Überlasten Sie das Gerät nicht. Verwenden Sie für Ihre Arbeit das dafür bestimmte Elektrowerkzeug.** Mit dem passenden Elektrowerkzeug arbeiten Sie besser und sicherer im angegebenen Leistungsbereich.
- b) **Benutzen Sie kein Elektrowerkzeug, dessen Schalter defekt ist.** Ein Elektrowerkzeug, das sich nicht mehr ein- oder ausschalten lässt, ist gefährlich und muss repariert werden.
- c) **Ziehen Sie den Netzstecker aus der Steckdose, bevor Sie Geräteeinstellungen vornehmen, Zubehörteile wechseln oder das Gerät weglegen.** Diese Vorsichtsmaßnahme verhindert den unbeabsichtigten Start des Geräts.
- d) **Bewahren Sie unbenutzte Elektrowerkzeuge außerhalb der Reichweite von Kindern auf. Lassen Sie Personen das Gerät nicht benutzen, die mit diesem nicht vertraut sind oder diese Anweisungen nicht gelesen haben.** Elektrowerkzeuge sind gefährlich, wenn Sie von unerfahrenen Personen benutzt werden.
- e) **Pflegen Sie das Gerät mit Sorgfalt. Kontrollieren Sie, ob bewegliche Geräteteile einwandfrei funktionieren und nicht klemmen, ob Teile gebrochen oder so beschädigt sind, dass die Funktion des Gerätes beeinträchtigt ist. Lassen Sie beschädigte Teile vor dem Einsatz des Gerätes reparieren.** Viele Unfälle haben ihre Ursache in schlecht gewarteten Elektrowerkzeugen.
- f) **Halten Sie Schneidwerkzeuge scharf und sauber.** Sorgfältig gepflegte Schneidwerkzeuge mit scharfen Schneidkanten verklemmen sich weniger und sind leichter zu führen.
- g) **Verwenden Sie Elektrowerkzeug, Zubehör, Einsatzwerkzeuge usw. entsprechend diesen Anweisungen und so, wie es für diesen speziellen Gerätetyp vorgeschrieben ist. Berücksichtigen Sie dabei die Arbeitsbedingungen und die auszuführende Tätigkeit.** Der Gebrauch von Elektrowerkzeugen für andere als die vorgesehenen Anwendungen

- kann zu gefährlichen Situationen führen.
- h) **Halten Sie Griffe und Greifflächen immer trocken, sauber und frei von Öl und Fett.** Rutschige Griffe und Greifflächen verhindern in unerwarteten Situationen den sicheren Umgang mit dem Werkzeug und die richtige Kontrolle darüber.
- 5) Umgang mit Akkuwerkzeugen**
- a) **Zum Laden ist ausschließlich das vom Hersteller angegebene Ladegerät zu verwenden.** Ein Ladegerät, das für eine Art von Akkus geeignet ist, kann bei Verwendung mit einer anderen Art von Akku Brandgefahr verursachen.
- b) **Elektrowerkzeuge dürfen nur mit speziell dazu bestimmten Akkus verwendet werden,** da bei der Verwendung anderer Akkus Verletzungs- und Brandgefahr entstehen kann.
- c) **Wenn der Akku nicht in Gebrauch ist, ist er von Büroklammern, Münzen, Schlüssel, Nägel, Schrauben und anderen kleinen Metallobjekten fernzuhalten, die eine Verbindung zwischen den Polen bilden können.** Kurzschließen der Pole kann Brand oder Verbrennungen verursachen.
- d) **Bei falschem Umgang mit dem Akku kann Flüssigkeit aus dem Akku austreten. Die Berührung dieser Flüssigkeit ist zu vermeiden. Bei Berührung den betroffenen Körperteil mit Wasser abspülen. Bei Berührung der Flüssigkeit mit den Augen muss zusätzlich ärztliche Hilfe gerufen werden.** Die Akkuflüssigkeit kann Reizungen oder Verbrennungen verursachen.
- e) **Verwenden Sie keinesfalls Akkus und Werkzeuge, die beschädigt oder verändert wurden.** Beschädigte oder veränderte Akkus können ein unvorhersehbares Verhalten zeigen, das zu Feuer, Explosionen oder Verletzungsgefahren führt.
- f) **Setzen Sie Akkus oder Werkzeuge keinem Feuer oder übermäßigen Temperaturen aus.** Feuer oder Temperaturen über 130 °C können zu Explosionen führen. HINWEIS: Die Temperaturangabe „130 °C“ kann durch die Temperaturangabe „265 °F“ ersetzt werden.
- g) **Beachten Sie alle Hinweise zum Aufladen und laden Sie Akkus oder Werkzeuge nicht außerhalb der in der Anleitung angegebenen Temperaturbereiche auf.** Unsachgemäßes Aufladen oder Aufladen bei Temperaturen außerhalb des angegebenen Bereichs kann den Akku schädigen und die Brandgefahr erhöhen.

6) Service

- a) **Lassen Sie Ihre Werkzeuge durch einen qualifizierten Reparaturtechniker ausschließlich mit identischen Ersatzteilen warten.** So lässt sich eine gleich bleibende Sicherheit des Elektrowerkzeugs gewährleisten.
- b) **Beschädigte Akkus dürfen keinesfalls gewartet werden.** Die Wartung von Akkus darf nur vom Hersteller oder von Vertragswerkstätten durchgeführt werden.

SICHERHEITSHINWEISE FÜR STICHSÄGEN

- **Warnung vor Laserstrahlung.** Laserklasse 2, Pmax: <1 mW, λ: 650 nm, EN 60825-1: 2014. Richten Sie den Laserstrahl nicht auf Personen oder Tiere und starren Sie nicht in den Laserstrahl, auch nicht aus der Distanz. Dieses Elektrowerkzeug erzeugt einen Laser mit einer Laserstrahlung der Klasse 2 gemäß EN 60825-1. Diese kann dazu führen, dass Personen erblinden.
- **Halten Sie das Gerät an den isolierten Griffflächen, wenn Sie Arbeiten ausführen, bei denen das Einsatzwerkzeug verborgene Stromleitungen treffen kann.** Der Kontakt mit einer spannungsführenden Leitung kann auch metallene Geräteteile unter Spannung setzen und zu einem elektrischen Schlag führen.
- **Halten Sie die Hände vom Sägebereich fern.** Greifen Sie nicht unter das Werkstück. Bei Kontakt mit dem Sägeblatt besteht Verletzungsgefahr.
- **Führen Sie das Elektrowerkzeug nur eingeschaltet gegen das Werkstück.** Es besteht sonst die Gefahr eines Rückschlages, wenn sich das Einsatzwerkzeug im Werkstück verhakt.
- **Achten Sie darauf, dass die Fußplatte beim Sägen sicher aufliegt.** Ein verkantetes Sägeblatt kann brechen oder zum Rückschlag führen.
- **Schalten Sie nach Beendigung des Arbeitsvorgangs das Elektrowerkzeug aus und ziehen Sie das Sägeblatt erst dann aus dem Schnitt, wenn dieses zum Stillstand gekommen ist.** So vermeiden Sie einen Rückschlag und können das Elektrowerkzeug sicher ablegen.
- **Verwenden Sie nur unbeschädigte, einwandfreie Sägeblätter.** Verbogene oder unscharfe Sägeblätter können brechen, den Schnitt negativ beeinflussen oder einen Rückschlag verursachen.
- **Bremsen Sie das Sägeblatt nach dem Ausschalten nicht durch seitliches Gegendrücken ab.** Das Sägeblatt kann beschädigt werden, brechen oder einen Rückschlag verursachen.

- **Verwenden Sie geeignete Suchgeräte, um verborgene Versorgungsleitungen aufzuspüren, oder ziehen Sie die örtliche Versorgungsgesellschaft hinzu.** Kontakt mit Elektroleitungen kann zu Feuer und elektrischem Schlag führen. Beschädigung einer Gasleitung kann zur Explosion führen. Eindringen in eine Wasserleitung verursacht Sachbeschädigung.
- **Sichern Sie das Werkstück.** Ein mit Spannvorrichtungen oder Schraubstock festgehaltenes Werkstück ist sicherer gehalten als mit Ihrer Hand.
- **Warten Sie, bis das Elektrowerkzeug zum Stillstand gekommen ist, bevor Sie es ablegen.** Das Einsatzwerkzeug kann sich verhaken und zum Verlust der Kontrolle über das Elektrowerkzeug führen.
- **Verwenden Sie Halteklammern oder eine andere praktikable Methode, um das Werkstück auf einer stabilen Plattform zu sichern.** Das Halten oder Stützen des Werkstücks mit der Hand oder dem Körper führt zu Instabilität und kann einen Kontrollverlust verursachen.

2. ANGABEN ZUM WERKZEUG

Verwendungszweck

Dieses Gerät ist zum Sägen von Holz, Metall, Kunststoff, Keramik, Gummi usw. in jede gewünschte Größe und Form bestimmt, wobei die Basisplatte fest auf dem Werkstück aufliegt. Es ist immer ein geeignetes Sägeblatt zu verwenden.

TECHNISCHE DATEN

Modellnummer	JS501DC
Netzspannung	20V
Leerlaufdrehzahl	0-2500/min
Sägehub	25mm
Max. Sägeleistung Holz 0°	50mm
Max. Sägeleistung Stahl 0°	8mm
Gewicht	1,85 kg
Schalldruckpegel L_{PA}	82,0 dB(A), K=3dB(A)
Schallleistungspegel L_{WA}	93,0 dB(A), K=3dB(A)
Schwingung 'sägen blech'	5,459 m/s ² K=1.5 m/s ²
Schwingung 'sägen sperrholz'	5,658 m/s ² K=1.5 m/s ²

Verwenden Sie nur folgende Akkus der VONROC VPOWER 20V-Akku-Plattform. Die Verwendung anderer Akkus kann zu schweren Verletzungen oder

einer Beschädigung des Werkzeugs führen.
 CD801AA 20V, 2Ah Lithium-Ion
 CD803AA 20V, 4Ah Lithium-Ion

Folgendes Ladegerät ist zum Aufladen dieser Akkus vorgesehen.

CD802AA Schnellladegerät

Die Akkus der VONROC VPOWER 20V-Akku-Plattform sind unter allen Werkzeugen der VONROC VPOWER 20V-Akku-Plattform austauschbar.

Vibrationsintensität

Die in dieser Bedienungsanleitung angegebene Vibrationsintensität wurde mit einem standardisierten Test gemäß EN 62841 gemessen. Anhand dieser Größe können Werkzeuge miteinander verglichen werden. Außerdem eignet sich diese Größe für eine erste Beurteilung der Vibrationsbelastung bei Verwendung des Werkzeugs für die angegebenen Anwendungszwecke.

- Bei Verwendung des Werkzeugs für andere Anwendungen oder mit anderem oder unzureichend gewartetem Zubehör kann sich die Vibrationsbelastung erheblich erhöhen.
- Wenn das Werkzeug ausgeschaltet ist, oder wenn es eingeschaltet ist, jedoch nicht genutzt wird, kann sich die Vibrationsbelastung erheblich verringern.

Schützen Sie sich vor den Auswirkungen der Vibration durch Wartung des Werkzeugs und des Zubehörs, halten Sie Ihre Hände warm, und organisieren Sie Ihren Arbeitsablauf.

BESCHREIBUNG

Die Buchstaben und Ziffern im folgenden Text verweisen auf die Abbildungen auf den Seiten 2 bis 3.

1. Lock-Off-Taste
2. Ein-/Ausschalter
3. Griff
4. Akku
5. Taste zum Entsperrern des Akkus
6. Orbitalhubschalter
7. Skala für Gehrungswinkel
8. Basisplattenabdeckung
9. Basisplatte
10. Führungsrolle
11. Laser-Schalter
12. Schutzvorrichtung
13. Klemmhebel
14. Flügelschrauben für Parallelführung

15. Sechskantschlüssel
16. Spannfutter
17. Sägeblatt
18. Schraube für Basisplatte
19. Parallelführung
20. Laser
21. Schnittmarke
22. Schraube zur Lasereinstellung

3. MONTAGE



Nehmen Sie vor allen Arbeiten am Elektrowerkzeug den Akku heraus.



Vor der ersten Verwendung muss der Akku aufgeladen werden.

Einsetzen des Akkus in das Werkzeug (Abb. A, G)



Überprüfen Sie, ob die Außenflächen des Akkus sauber und trocken sind, bevor Sie den Akku an das Ladegerät anschließen oder in das Werkzeug einsetzen.

1. Setzen Sie den Akku (4) in das Gerät ein.
2. Drücken Sie den Akku soweit nach vorn, bis der Akku hörbar einrastet.

Entnehmen des Akkus aus dem Werkzeug (Abb. A, G)

1. Drücken Sie die Akku-Freigabetast (5)
2. Ziehen Sie den Akku aus dem Werkzeug, wie in Abb. G dargestellt.

Wechseln des Sägeblatts (Abb. A, C)



Tragen Sie beim Anbringen des Sägeblatts Schutzhandschuhe. Verletzungsgefahr beim Berühren des Sägeblattes.



Verwenden Sie nur Sägeblätter, die den Kenndaten in der Betriebsanleitung entsprechen.

Anbringen des Sägeblatts



Achten Sie darauf, dass der Sägeblatthalter frei von Materialrückständen ist (zum Beispiel Holz- oder Metallsplitter).

1. Drehen Sie den Klemmhebel (13) so weit wie möglich nach links und halten Sie ihn in dieser Position fest.
2. Setzen Sie das Sägeblatt in das Spannfutter (16) ein. Überprüfen Sie, dass das Sägeblatt

sicher befestigt ist und die Zähne in die Schnitttrichtung zeigen.

3. Lassen Sie den Klemmhebel los. Überprüfen Sie, ob sich die Rückseite des Sägeblatts in der Mitte der Führungsrolle (10) befindet.

Stellen Sie sicher, immer das richtige Sägeblatt für das jeweilige Material zu verwenden. Zum Lieferumfang des Geräts gehört ein grobzahnes Sägeblatt für Holz und ein feinzahnes Sägeblatt für Metall und Kunststoff.

Abnehmen des Sägeblatts

1. Drehen Sie den Klemmhebel (13) so weit wie möglich nach links und halten Sie ihn in dieser Position fest.
2. Nehmen Sie das Sägeblatt aus dem Spannfutter (16).
3. Lassen Sie den Klemmhebel los.

Anbringen der Parallelführung (Abb. D)

1. Lösen Sie die Flügelschrauben (14).
2. Montieren Sie die Parallelführung (19) an der Basisplatte (9).
3. Stellen Sie mit der Skala auf der Parallelführung (14) und der Schnittmarke auf der Basisplatte (20) die gewünschte Schnittbreite ein. Die Schnittmarke (20) zeigt die Position des Sägeblatts an.
4. Ziehen Sie die Flügelschraube (14) fest.

4. BETRIEB

Ein-/Ausschalten der Maschine (Abb. A)

- Um die Maschine zu starten, halten Sie die Lock-Off-Taste (1) gedrückt und drücken den Ein-/Ausschalter (2).
- Je weiter der Ein-/Ausschalter (2) gedrückt wird, desto schneller bewegt sich das Sägeblatt. Die erforderliche Geschwindigkeit hängt vom Material ab und kann durch praktische Tests ermittelt werden.
- Um die Maschine anzuhalten, lassen Sie den Ein-/Ausschalter (2) los.

Ein- und Ausschalten des Lasers (Abb. A)

- Drücken Sie den Laser-Schalter (11), um den Laser ein- oder auszuschalten. Der Laser-Schalter (11) schaltet auch die LED-Arbeitsleuchte ein.

Feinabstimmung des Lasers

Hinweis: Um die Laserfunktion zu testen, muss der Akku in das Elektrowerkzeug eingelegt werden.



Betätigen Sie beim Justieren des Lasers niemals den Ein- / Ausschalter. Ein versehentliches Starten des Elektrowerkzeugs kann zu Verletzungen führen.

Wenn der Laser (11) nicht mehr die richtige Schnittlinie anzeigt, können Sie den Laser neu justieren. Stellen Sie dazu die Schraube zur Lasereinstellung (22) ein und stellen Sie den Laser so ein, dass eine korrekte Schnittlinie angezeigt wird.

Einstellen des Gehrungswinkels (Abb. B, F)

1. Lösen Sie die Schraube (18) mit dem Sechskantschlüssel (15).
2. Stellen Sie die Basisplatte (9) auf die gewünschte Position ein (0°- 45°). Der Sägewinkel (Gehrung) kann an der Skala (7) abgelesen werden.
3. Ziehen Sie die Schraube (7) mit dem Sechskantschlüssel (15) fest. Der Sechskantschlüssel kann wie in Abb. B gezeigt an der Maschine aufbewahrt werden.

Einstellen des Orbitalhubs (Abb. A)

Mit dem Pendelhubschalter wird eingestellt, wie die Zähne des Sägeblatts das Material greifen. Für den Pendelschalter gibt es 4 Positionen:

- 0 - Kein Orbitalhub
- 1 - Geringer Orbitalhub
- 2 - Mittlerer Orbitalhub
- 3 - Starker Orbitalhub

Der erforderliche Orbitalhub kann durch Ausprobieren festgestellt werden, wobei folgende Empfehlungen gelten:

- Weiches Material (Holz, Plastik usw.): Pendel auf Stufe II oder III stellen. Verwenden Sie für einen feineren und saubereren Sägeschnitt die Pendelstufe 0 oder I.
- Für dünnes Material Pendelstufe 0 verwenden.
- Für hartes Material (Stahl usw.) das Pendel auf Stufe 0 stellen.
- Für Kurven das Pendel auf Stufe 0 stellen.

Tauchschnitte (Abb. H)

Tauchschnitte dürfen nur in weiche Materialien wie Holz, Porenbeton, Gipskarton usw. gemacht werden. Dies erfordert jedoch eine gewisse Übung

und ist nur mit kurzen Sägeblättern möglich.

1. Setzen Sie die Säge auf das Werkstück und schalten Sie sie ein.
2. Achten Sie darauf, dass die Unterkante der Basisplatte wie in Abb. H gezeigt auf der Werkstückoberfläche aufliegt.
3. Sägen Sie langsam in einem Winkel in das Werkstück hinein, bringen Sie die Säge dann in eine vertikale Position und sägen Sie weiter entlang der Schnittlinie.
4. Schalten Sie die Säge aus und heben Sie sie nach Abschluss der Arbeit vom Werkstück ab.

Optimale Nutzung

- Spannen Sie das Werkstück ein. Verwenden Sie für kleine Werkstücke eine Spannvorrichtung.
- Zeichnen Sie eine Linie, um die Richtung vorzugeben, in der das Sägeblatt geführt wird.
- Halten Sie die Maschine sicher am Griff fest.
- Stellen Sie die Sägegeschwindigkeit ein.
- Stellen Sie den Gehrungswinkel ein.
- Stellen Sie die Pendelhubposition ein.
- Schalten Sie die Maschine ein.
- Warten Sie, bis die Maschine ihre volle Geschwindigkeit erreicht hat.
- Setzen Sie den Sägeschuh auf das Werkstück.
- Bewegen Sie die Maschine langsam die vorgezeichnete Linie entlang, wobei Sie den Sägeschuh fest gegen das Werkstück drücken.
- Üben Sie nicht zu viel Druck auf die Maschine aus. Lassen Sie die Maschine die Arbeit verrichten.
- Schalten Sie die Maschine aus und warten Sie, bis sie vollkommen zum Stillstand gekommen ist, bevor Sie sie ablegen.

5. WARTUNG



Schalten Sie das Werkzeug immer aus, und entnehmen Sie den Akku aus dem Gerät, bevor Sie Reinigungs- oder Wartungsarbeiten am Werkzeug vornehmen.

Reinigen Sie das Werkzeuggehäuse regelmäßig mit einem weichen Lappen, vorzugsweise nach jeder Verwendung. Stellen Sie sicher, dass die Lüftungsöffnungen frei von Staub und Schmutz sind. Entfernen Sie anhaftenden Schmutz mit einem weichen Lappen, der leicht mit Seifenwasser befeuchtet wurde. Verwenden Sie keine Lösungsmittel wie Benzin, Alkohol, Ammoniak usw., da Chemikalien dieser Art die Kunststoffteile beschädigen.

UMWELTSCHUTZ



Schadhafte und/oder zu entsorgende elektrische oder elektronische Werkzeuge und Geräte müssen an den dafür vorgesehenen Recycling-Stellen abgegeben werden.

Nur für EG-Länder

Entsorgen Sie Elektrowerkzeuge nicht über den Hausmüll. Entsprechend der EU-Richtlinie 2012/19/EG über Elektro- und Elektronik-Altgeräte sowie der Umsetzung in nationales Recht müssen Elektrowerkzeuge, die nicht mehr im Gebrauch sind, getrennt gesammelt und umweltschonend entsorgt werden.

GARANTIE

VONROC-Produkte werden nach den höchsten Qualitätsstandards entwickelt und sind für den gesetzlich festgelegten Zeitraum, ausgehend von dem ursprünglichen Kaufdatum, garantiert frei von Fehlern in Material und Ausführung. Sollte das Produkt in diesem Zeitraum aufgrund von Material- und/oder Verarbeitungsmängeln Fehler aufweisen, wenden Sie sich bitte direkt an VONROC Kundendienst.

Folgende Umstände sind von der Garantie ausgeschlossen:

- Reparaturen und oder Änderungen an der Maschine, die durch nicht-autorisierte Servicetechniken vorgenommen oder versucht wurden.
- Normale Abnutzung und Verschleiß.
- Das Werkzeug wurde übermäßig beansprucht, missbräuchlich verwendet oder falsch gewartet.
- Es wurden keine Original-Ersatzteile verwendet.

Dies stellt die einzige Gewährleistung des Unternehmens dar, sowohl ausdrücklich als auch implizit. Es gibt keine anderen ausdrücklichen oder stillschweigenden Garantien, die über das hier Genannte hinausgehen, einschließlich der stillschweigenden Garantien der Marktgängigkeit oder Eignung für einen bestimmten Zweck. In keinem Fall ist VONROC haftbar für Neben- oder Folgeschäden. Die Rechtsmittel des Händlers beschränken sich auf Reparatur oder Ersatz fehlerhafter Einheiten oder Teile.

Am Produkt und am Benutzerhandbuch können Änderungen vorgenommen werden. Die technischen Daten können sich ohne Vorankündigung ändern.

1. VEILIGHEIDSVOORSCHRIFTEN

Lees de bijgesloten veiligheidswaarschuwingen, de aanvullende veiligheidswaarschuwingen en de instructies. Het niet opvolgen van de veiligheidswaarschuwingen kan elektrische schokken, brand en/of ernstig letsel tot gevolg hebben. Bewaar de veiligheidswaarschuwingen en instructies als naslagwerk voor later.

De volgende symbolen worden gebruikt in de gebruikershandleiding of op het product:



Lees de gebruikershandleiding.



Gevaar voor lichamelijk letsel, overlijden of schade aan de machine wanneer de instructies in deze handleiding niet worden opgevolgd.



Houd omstanders op afstand.



Draag oogbescherming.



Draag gehoorbescherming.



Draag een stofmasker.



Gevaarlijk gebied! Houd uw handen (10cm) van het zaaggebied verwijderd.



Waarschuwing voor laserstraling.



Het product is in overeenstemming met de van toepassing zijnde veiligheidsnormen in de Europese richtlijnen.

ALGEMENE VEILIGHEIDSVOORSCHRIFTEN



**WAARSCHUWING! Lees alle veiligheids-
waarschuwingen en alle instructies. Het
niet opvolgen van onderstaande instructies
kan leiden tot een elektrische schok, brand
en/of ernstig persoonlijk letsel.**

Bewaar deze instructies.

De term "elektrisch gereedschap" in onderstaande waarschuwingen heeft betrekking op zowel apparatuur met een vaste elektriciteitskabel als op apparatuur met een accu (draadloze apparatuur).

1) Werkgebied

- a) **Zorg voor een opgeruimde en goed verlichte werkomgeving.** Rommelige en donkere werkomgevingen leiden tot ongelukken
- b) **Gebruik elektrisch gereedschap nooit in een omgeving waar explosiegevaar bestaat, zoals in de nabijheid van ontvlambare vloeistoffen, gassen, dampen of andere stoffen.** Elektrische gereedschappen kunnen vonken veroorzaken, die deze stoffen tot ontbranding kunnen brengen.
- c) **Wanneer u elektrisch gereedschap gebruikt, houd dan kinderen en omstanders op afstand.** Wanneer u wordt afgeleid, kunt u de controle over het gereedschap verliezen.

2) Elektrische veiligheid

- a) **Stekkers van elektrische gereedschappen moeten probleemloos passen op het stopcontact. Breng nooit wijzigingen aan in of aan de stekker. Gebruik geen adapters voor geaarde elektrische gereedschappen.** Standaardstekkers en passende stopcontacten verkleinen de kans op een elektrische schok.
- b) **Voorkom lichamelijk contact met geaarde oppervlakken van bijvoorbeeld pijpen, leidingen, radiatoren, fornuizen en koelkasten.** Wanneer uw lichaam geaard is, wordt de kans op een elektrische schok groter.
- c) **Stel elektrische gereedschappen nooit bloot aan regen of vocht.** Wanneer er water binnendringt in een elektrisch gereedschap, wordt de kans op een elektrische schok groter.
- d) **Gebruik het snoer niet om het elektrisch gereedschap te dragen, te verplaatsen of de stekker uit het stopcontact te trekken. Bescherm het snoer tegen olie, warmte, scherpe randen en bewegende delen.** Beschadigde of vastzittende snoeren vergroten de kans op een elektrische schok.
- e) **Wanneer u elektrische gereedschappen buiten gebruikt, gebruik dan een verlengkabel die geschikt is voor buitengebruik.** Door een kabel te gebruiken die geschikt is voor buitengebruik, wordt de kans op een elektrische schok kleiner.
- f) **Gebruik een aardlekbeveiliging (RCD) als niet te voorkomen is dat een powertool moet worden gebruikt in een vochtige omgeving.** Gebruik van een RCD vermindert het risico van elektrische schokken.

3) Persoonlijke veiligheid

- a) **Blijf altijd alert, kijk goed wat u doet en gebruik uw gezonde verstand wanneer u een elektrisch gereedschap gebruikt. Gebruik geen elektrische gereedschappen wanneer u moe bent, of drugs, alcohol of medicijnen hebt gebruikt.** Eén moment van onachtzaamheid bij het gebruik van elektrische gereedschappen kan ernstige verwondingen tot gevolg hebben.
- b) **Gebruik persoonlijke beschermingsmiddelen. Draag altijd een veiligheidsbril.** Een gepast gebruik van veiligheidsvoorzieningen, zoals een stof masker, speciale werkschoenen met antislipzolen, een veiligheidshelm en gehoorbescherming verkleinen de kans op persoonlijk letsel.
- c) **Voorkom dat het gereedschap per ongeluk wordt gestart. Zorg dat de schakelaar op de UITpositie staat, voordat u de stekker in het stopcontact steekt.** Draag elektrisch gereedschap nooit met uw vinger op de schakelaar en steek ook nooit de stekker van ingeschakelde elektrische gereedschappen in het stopcontact: dit leidt tot ongelukken.
- d) **Verwijder alle instel en andere sleutels uit het elektrisch gereedschap voordat u hem inschakelt.** Instel en andere sleutels aan een ronddraaiend onderdeel van het elektrisch gereedschap kunnen tot verwondingen leiden.
- e) **Zorg dat u nooit uw evenwicht kunt verliezen; houd altijd twee voeten stevig op de vloer.** Hierdoor kunt u het elektrisch gereedschap in onverwachte situaties beter onder controle houden.
- f) **Zorg dat u geschikte kleding draagt. Draag geen loshangende kleding of sieraden. Houd uw haar, kleding en handschoenen uit de buurt van bewegende delen.** Loshangende kleding, sieraden en lang haar kunnen vast komen te zitten in bewegende delen.
- g) **Wanneer er voorzieningen zijn voor de aansluiting van stofafzuiginstallaties, zorg dan dat ze op de juiste wijze worden aangesloten en gebruikt.** Gebruik van deze voorzieningen vermindert de gevaren die door stof worden veroorzaakt.
- h) **Denk niet dat doordat u gereedschap vaak gebruikt, u wel weet hoe het allemaal werkt en dat u de veiligheidsbeginselen voor het gebruik van het gereedschap wel kunt negeren.** Een onbezonnen actie kan in een fractie van een seconde ernstig letsel tot gevolg hebben.

- 4) Gebruik en onderhoud van elektrisch gereedschap**
- a) **Oefen geen overmatige kracht uit op elektrisch gereedschap. Gebruik het juiste gereedschap voor uw specifieke toepassing.** Met het juiste elektrische gereedschap voert u de taak beter en veiliger uit wanneer dit op de snelheid gebeurt waarvoor het apparaat is ontworpen.
 - b) **Gebruik nooit elektrisch gereedschap waarvan de AAN/UITschakelaar niet werkt.** Ieder elektrisch gereedschap dat niet kan worden in en uitgeschakeld met de schakelaar is gevaarlijk en moet worden gerepareerd.
 - c) **Trek de stekker uit het stopcontact voordat u wijzigingen aanbrengt aan elektrische gereedschappen, accessoires verwisselt of het elektrisch gereedschap opbergt.** Wanneer u zich aan deze preventieve veiligheidsmaatregelen houdt, beperkt u het risico dat het gereedschap per ongeluk wordt gestart.
 - d) **Berg elektrisch gereedschap dat niet in gebruik is op buiten bereik van kinderen en laat personen die niet bekend zijn met het gereedschap of deze instructies het apparaat niet gebruiken.** Elektrisch gereedschap is gevaarlijk in de handen van ongeofende gebruikers.
 - e) **Zorg voor een goed onderhoud van elektrisch gereedschap. Controleer of bewegende delen op de juiste wijze zijn vastgezet. Controleer ook of er geen onderdelen defect zijn of dat er andere omstandigheden zijn die van invloed kunnen zijn op de werking van het gereedschap. Laat het gereedschap bij beschadigingen repareren vóór gebruik.** Veel ongelukken worden veroorzaakt door slecht onderhoud van het gereedschap.
 - f) **Zorg dat snij en zaagwerktuigen scherp en schoon blijven.** Goed onderhouden snij en zaagwerktuigen met scherpe randen zullen minder snel vastlopen en zijn eenvoudiger onder controle te houden.
 - g) **Gebruik alle elektrische gereedschappen, accessoires, bitjes etc., zoals aangegeven in deze instructies en op de wijze waarvoor het gereedschap is ontworpen. Houd daarbij rekening met de werkomstandigheden en de uit te voeren taak.** Gebruik van elektrisch gereedschap voor handelingen die afwijken van de taken waarvoor het apparaat is ontworpen kunnen leiden tot gevaarlijke situaties.
 - h) **Houd handgrepen en greepoppervlakken droog, schoon en vrij van olie en vet.** Gladde handgrepen en greepoppervlakken maken veilig werken en controle over het gereedschap in onverwachte situaties onmogelijk.
- 5) Gebruik en onderhoud accugereedschap**
- a) **Laad alleen op met de lader die door de fabrikant is gespecificeerd.** Een lader die voor een bepaalde accu geschikt is, kan brand veroorzaken wanneer deze met een andere accu wordt gebruikt.
 - b) **Gebruik elektrisch gereedschap alleen met de speciaal hiervoor bedoelde accu's.** Gebruik van andere accu's kan kans op letsel en brand geven.
 - c) **Wanneer de accu niet in gebruik is, houd deze dan uit de buurt van andere metalen voorwerpen zoals paperclips, munten, sleutels, spijkers, schroeven of andere kleine metalen voorwerpen die een verbinding tussen twee polen kunnen maken.** Kortsluiting tussen de accupolen kan brandwonden of brand veroorzaken.
 - d) **Wanneer de accu niet juist wordt gebruikt, kan er vloeistof uit lopen; raak dit niet aan. Wanneer dit per ongeluk wel gebeurt, spoel dan met water. Wanneer de vloeistof in de ogen komt, moet u een arts raadplegen.** De vloeistof uit de accu kan irritaties of brandwonden veroorzaken.
 - e) **Gebruiken niet een accu of gereedschap dat beschadigd is of gemodificeerd.** Beschadigde of gemodificeerde accu's kunnen onvoorspelbaar gedrag vertonen, wat brand, explosie of een risico van letsel met zich meebrengt.
 - f) **Stel een accu over het gereedschap niet bloot aan open vuur of een uitzonderlijk hoge temperatuur.** Blootstelling aan vuur of een temperatuur hoger dan 130 °C, kan een explosie veroorzaken. NB De temperatuur van "130 °C" kan worden vervangen door de temperatuur van "265 °F".
 - g) **Houd u aan alle instructies voor het laden en laad de accu of het gereedschap niet op buiten het temperatuurbereik dat in de instructies wordt aangeduid.** Op een onjuiste wijze laden of laden bij temperaturen buiten het aangeduide bereik kan de accu beschadigen en het risico van brand doen toenemen.
- 6) Service**
- a) **Laat uw gereedschap onderhouden door een gekwalificeerde onderhoudstechnicus die alleen gebruikmaakt van identieke vervangingsonderdelen.** Dit zorgt ervoor dat de

veiligheid van de power tool intact blijft.

- b) **Voer nooit servicewerkzaamheden uit aan beschadigde accu's.** Alleen de fabrikant of geautoriseerde service-providers mogen servicewerkzaamheden aan accu's uitvoeren.

VEILIGHEIDSVORSCHRIFTEN VOOR DECOU-PEERZAGEN

- **Waarschuwing voor laserstraling.** Laserklasse 2, P max.: <1 mW, λ : 650 nm, EN 60825-1: 2014. Richt de laserstraal niet op personen of dieren en kijk zelf ook niet in de laser, zelfs niet van een afstand. Dit elektrisch gereedschap gebruikt een klasse 2 straling in overeenstemming met de NEN-EN 60825-1. Deze straling kan personen verblinden.
- **Houd het gereedschap aan de geïsoleerde greepvlakken vast als u werkzaamheden uitvoert waarbij het inzetgereedschap verborgen stroomleidingen kan raken.** Contact met een onder spanning staande leiding kan ook metalen delen van het gereedschap onder spanning zetten en tot een elektrische schok leiden.
- **Houd uw handen uit de buurt van de plaats waar wordt gezaagd.** Grijp niet onder het werkstuk. Bij aanraking van het zaagblad bestaat verwondingsgevaar.
- **Beweeg het elektrische gereedschap alleen in geschakeld naar het werkstuk.** Anders bestaat er gevaar voor een terugslag als het inzetgereedschap in het werkstuk vasthaakt.
- **Let erop dat de voetplaat bij het zagen stabiel ligt.** Een schuin zaagblad kan breken of tot een terugslag leiden.
- **Schakel het elektrische gereedschap na beëindiging van de werkzaamheden uit en trek het zaagblad pas uit de zaagsnede nadat het gereedschap tot stilstand is gekomen.** Zo voorkomt u een terugslag en kunt u het elektrische gereedschap veilig neerleggen.
- **Gebruik alleen onbeschadigde zaagbladen die helemaal in orde zijn.** Verbogen of niet-scherpe zaagbladen kunnen breken, het zagen negatief beïnvloeden of een terugslag veroorzaken.
- **Rem het zaagblad na het uitschakelen niet af door er aan de zijkant tegen te drukken.** Anders kan het zaagblad beschadigd worden, breken of een terugslag veroorzaken.
- **Gebruik een geschikt detectieapparaat om verborgen stroom-, gas- of waterleidingen op te sporen of raadpleeg het plaatselijke energie- of waterleidingbedrijf.** Contact met elektrische

leidingen kan tot brand of een elektrische schok leiden. Beschadiging van een gasleiding kan tot een explosie leiden. Breuk van een waterleiding veroorzaakt materiële schade.

- **Zet het werkstuk vast.** Een met spanvoorzieningen of een bankschroef vastgehouden werkstuk wordt beter vastgehouden dan u met uw hand kunt doen.
- **Wacht tot het elektrische gereedschap tot stilstand is gekomen voordat u het neerlegt.** Het inzetgereedschap kan vasthaken en dit kan tot het verlies van de controle over het elektrische gereedschap leiden.
- **Gebruik klemmen of een andere praktische manier om het werkstuk op een stabiele ondergrond te ondersteunen en vast te zetten.** Wanneer u het werkstuk in uw handen vasthoudt of tegen uw lichaam klemt kunt u de controle over het werkstuk verliezen.

2. TECHNISCHE INFORMATIE

Bedoeld gebruik

De machine is bedoeld voor het zagen van hout, metaal, kunststoffen, keramiek, rubber, enz. in ieder gewenst formaat en iedere gewenste vorm, terwijl de grondplaat stevig op het werkstuk blijft rusten. Er moet altijd een geschikt zaagblad worden gebruikt.

TECHNISCHE SPECIFICATIES

Model Nr.	JS501DC
Spanning	20V
Onbelast toerental	0-2500/min
Zaagbeweging	25mm
Max. zaagcapaciteit hout 0°	50mm
Max. zaagcapaciteit staal 0°	8mm
Gewicht	1,85 kg
Geluidsdruk L_{PA}	82,0 dB(A), K=3dB(A)
Geluidsniveau L_{WA}	93,0 dB(A), K=3dB(A)
Trillingen 'zagen metalen plaat'	5,459 m/s ² K=1.5 m/s ²
Trillingen 'zagen multiplex'	5,658 m/s ² K=1.5 m/s ²

Gebruik uitsluitend de volgende accu's van het VONROC VPOWER 20V accu-platform. Gebruik van andere accu's kan leiden tot ernstig letsel of tot beschadiging van het gereedschap.

CD801AA	20V, 2Ah Lithium-Ion
CD803AA	20V, 4Ah Lithium-Ion

De volgende lader kan worden gebruikt voor het opladen van deze accu's.

CD802AA Snellader

De accu's van het VONROC VPOWER 20V accu-platform kunnen worden gewisseld tussen alle gereedschappen van het VONROC VPOWER 20V accu-platform.

Trillingsniveau

Het trillingsemissieniveau, dat in deze gebruiksaanwijzing wordt vermeld, is gemeten in overeenstemming met een gestandaardiseerde test volgens EN 62841; deze mag worden gebruikt om twee machines met elkaar te vergelijken en als voorlopige beoordeling van de blootstelling aan trilling bij gebruik van de machine voor de vermelde toepassingen.

- Het gebruik van de machine voor andere toepassingen, of met andere of slecht onderhouden accessoires, kan het blootstellingsniveau aanzienlijk verhogen.
- Wanneer de machine is uitgeschakeld of wanneer deze loopt maar geen werk verricht, kan dit het blootstellingsniveau aanzienlijk reduceren.

Bescherm uzelf tegen de gevolgen van trilling door de machine en de accessoires te onderhouden, uw handen warm te houden en uw werkwijze te organiseren.

BESCHRIJVING

De nummers in de tekst verwijzen naar de diagrammen op pagina 2-3.

1. Knop voor vergrendeling in de Uit-stand
2. Aan/Uit-schakelaar
3. Handgreep
4. Accu
5. Ontgrendelingsknop accu
6. Schakelaar voor rondgaande werking
7. Schaalverdeling voor verstekhoek
8. Grondplaatafdekking
9. Grondplaat
10. Geleideroller
11. Laser-schakelaar
12. Beschermkap
13. Klemhendel
14. Vleugelbouten voor parallelle geleiding
15. Inbussleutel
16. Zaaghouder
17. Zaagblad
18. Bout voor grondplaat

19. Parallelle geleider
20. Laser
21. Zaagmerkteken
22. Schroef voor laserafstelling

3. ASSEMBLAGE



Neem altijd voor werkzaamheden aan het elektrische gereedschap de accu uit het gereedschap.



De accu moet zijn opgeladen voordat deze voor het eerst wordt gebruikt.

De accu in de machine plaatsen (Afb. A, G)



Zorg ervoor dat het oppervlak van de accu schoon en droog is voordat u deze op de acculader of de machine aansluit.

1. Plaats de accu (4) in de onderkant van de machine, zoals is weergegeven in Fig. G.
2. Duw de accu verder naar voren tot deze vastklikt.

De accu van de machine verwijderen (Afb. A, G)

1. Duw op de ontgrendelingsknop van de accu (5)
2. Trek de accu uit de machine zoals afgebeeld in Fig. G.

Het zaagblad vervangen (Afb. A, C)



Draag beschermende handschoenen wanneer u het zaagblad monteert. Gevaar voor persoonlijk letsel wanneer u het zaagblad aanraakt.



Gebruik alleen zaagbladen waarvan de typische gegevens overeenkomen met die in de bedieningsinstructies.

Het zaagblad monteren



Let erop dat de zaagbladhouder vrij is van resten van materiaal (zoals splinters van hout of metaal).

1. Draai de klemhendel (13) zover mogelijk naar links en houd de hendel in die positie.
2. Steek het zaagblad in de zaaghouder (16). Controleer dat het zaagblad stevig bevestigd is en dat de tanden in de zaagrichting wijzen.
3. Laat de klemhendel los. Controleer dat de achterzijde van het zaagblad in het midden van de geleideroller (10) is bevestigd.

Gebruik vooral het juiste zaagblad voor het te zagen metaal. Bij de machine wordt een grof zaagblad voor hout en een fijn zaagblad voor metaal en kunststoffen geleverd.

Het zaagblad verwijderen

1. Draai de klemhendel (13) zover mogelijk naar links en houd de hendel in die positie.
2. Haal het zaagblad uit de zaaghouder (16).
3. Laat de klemhendel los.

De parallelle geleiding bevestigen (Afb. D)

1. Draai de vleugelbouten (14) los.
2. Monteer de parallelle geleiding (19) op de grondplaat (9).
3. Stel de gewenste zaagbreedte in met de schaalverdeling op de parallelle geleiding (14) en met het zaagmerkteken op de grondplaat (20). Het zaagmerkteken (20) geeft de positie van het zaagblad aan.
4. Zet de vleugelbouten (14) vast.

4. BEDIENING

De machine in-/uitschakelen (Afb. A)

- U kunt de machine starten door op de knop (1) voor vergrendeling de Uit-stand te drukken en ingedrukt te houden en op de Aan/Uit-schakelaar (2) te drukken.
- Hoe verder u de Aan/Uit-schakelaar (2) duwt, des te sneller zal het zaagblad bewegen. Welke snelheid nodig is, is afhankelijk van het materiaal en kan door middel van een zaagtest worden vastgesteld.
- U kunt de machine uitschakelen door de Aan/Uit-schakelaar (2) los te laten.

De laser in-/uitschakelen (Afb. A)

- Schakel de laser in of uit door op de laser-schakelaar (11) te drukken. De laser-schakelaar (11) schakelt ook het LED-werklicht in.

Fijnafstemming van de laser

Opmerking: om de laserfunctie te testen, moet de batterij in het elektrisch gereedschap worden geplaatst.



Pas tijdens het instellen van de laser nooit de aan / uit-schakelaar aan. Het per ongeluk starten van het elektrische gereedschap kan tot letsel leiden.

Als de laser (11) niet meer de juiste zaaglijn aangeeft, kunt u de laser opnieuw afstellen. Dat doet u door de Schroef voor laserafstelling (22) af te stellen, totdat de laser in een correcte zaaglijn aangeeft.

De verstekhoek aanpassen (Afb. B, F)

1. Draai de bout (18) los met de inbussleutel (15).
2. Stel de grondplaat (9) af in de gewenste positie (0°- 45°). De zaaghoek (verstek) kan worden afgelezen van de schaalverdeling (7).
3. Draai de bout (7) vast met de inbussleutel (15). U kunt de inbussleutel op de machine opbergen, zoals wordt getoond in Afb. B.

De functie voor rondgaande werking (Afb. A)

Met de schakelaar voor de slingerwerking stelt u in hoe de tanden van het zaagblad in het materiaal grijpen. De schakelaar voor de slingerwerking kan in 4 standen worden gezet:

0 - Niet rondgaande werking

1 - Weinig rondgaande werking

2 - Middelste stand rondgaande werking

3 - Veel rondgaande werking

Hoeveel de functie voor de rondgaande werking moet worden toegepast kan worden bepaald door praktijktests, maar u kunt de volgende instructies in acht nemen:

- Zacht materiaal (hout, kunststoffen, enz.): stel de slinger in op niveau II of III. Met de slingerwerking ingesteld op niveau 0 of I bereikt u een fijnere en schonere zaagsnede.
- Dun materiaal, slingerwerking op niveau 0.
- Hard materiaal (staal etc.): stel de slingerwerking in op niveau 0.
- Krommingen: stel de slingerwerking in op niveau 0.

Insteekzagen (Afb. H)

U kunt de functie insteekzagen alleen gebruiken in zachte materialen, zoals hout, gasbeton, gipsplaten, enz. Dit vraagt echter enige oefening en is alleen mogelijk met korte zaagbladen.

1. Plaats de zaag op het werkstuk en schakel de zaag in.
2. Let erop dat de onderste rand van de voetplaat op het oppervlak van het werkstuk rust, zoals wordt getoond in Afb. H.
3. Zaag langzaam onder een hoek in het werkstuk, terwijl u de zaag naar een verticale stand langs de zaaglijn beweegt.

- Schakel de zaag uit en haal de zaag van het werkstuk wanneer het werk is voltooid.

Optimaal gebruik

- Klem het werkstuk vast. Gebruik klemgereedschap voor kleine werkstukken.
- Teken een lijn om de richting te bepalen waarin het zaagblad moet worden geleid.
- Houd de machine stevig vast bij de handgreep.
- Stel de zaagsnelheid in.
- Stel de verstekhoek in.
- Stel de pendelpositie in.
- Schakel de machine in.
- Wacht totdat de machine volledig op snelheid is.
- Plaats de zaagschoen op het werkstuk.
- Beweeg de machine langs de vooraf getekende lijn, waarbij de zaagschoen stevig tegen het werkstuk wordt gedrukt.
- Oefen niet te veel druk uit op de machine. Laat de machine het werk doen.
- Schakel de machine uit en wacht totdat de machine volledig tot stilstand is gekomen voordat u de machine wegzet.

5. ONDERHOUD



Schakel, voordat u met de reiniging en het onderhoud begint, altijd de machine uit en haal het accupack uit de machine.

Reinig de machinebehuizing regelmatig met een zachte doek, bij voorkeur iedere keer na gebruik. Zorg dat de ventilatiesleuven vrij van stof en vuil zijn. Gebruik bij hardnekkig vuil een zachte doek bevochtigd met zeepwater. Gebruik geen oplosmiddelen als benzine, alcohol, ammonia, etc. Dergelijke stoffen beschadigen de kunststof onderdelen.

MILIEU



Defecte en/of afgedankte elektrische of elektronische gereedschappen dienen ter verwerking te worden aangeboden aan een daarvoor verantwoordelijke instantie.

Uitsluitend voor EG-landen

Werp elektrisch gereedschap niet weg bij het huisvuil. Conform de Europese Richtlijn 2012/19/EG voor Afgedankte Elektrische en Elektronische Apparatuur en de implementatie ervan in nationaal recht moet niet langer te gebruiken elektrisch

gereedschap gescheiden worden verzameld en op een milieuvriendelijke wijze worden verwerkt.

GARANTIE

VONROC producten zijn ontworpen volgens de hoogste kwaliteitsstandaarden en gegarandeerd vrij van defecten, zowel materieel als fabrieksfouten, tijdens de wettelijk vastgestelde garantieperiode vanaf de eerste aankoopdatum. Mocht het product tijdens deze periode gebreken vertonen veroorzaakt door defecte materialen en/of fabrieksfouten, neem dan rechtstreeks contact op met VONROC.

De volgende situaties vallen niet onder de garantie:

- Er zijn reparaties of aanpassingen aan de machine uitgevoerd, of er is een poging daartoe ondernomen, door een nietgeautoriseerd servicecentrum.
- Normale slijtage.
- De machine is misbruikt, verkeerd gebruikt of slecht onderhouden.
- Er zijn niet-originele reserveonderdelen gebruikt.

Dit vormt de enige garantie opgesteld door het bedrijf zowel expliciet als impliciet. Er bestaan geen andere garanties expliciet of impliciet welke verder gaan dan deze garantie, inclusief impliciete garanties van verkoopbaarheid en geschiktheid voor bepaalde doeleinden. In geen enkel geval kan VONROC aansprakelijk worden gesteld voor incidentele schade of gevolgschade. Reparaties van dealers zijn gelimiteerd tot de reparatie of vervanging van defecte producten of onderdelen.

Het product en de gebruikershandleiding zijn onderhevig aan wijzigingen. Specificaties kunnen zonder opgaaf van redenen worden gewijzigd.

1. CONSIGNES DE SÉCURITÉ

En plus des avertissements de sécurité suivants, veuillez également lire les avertissements de sécurité additionnels ainsi que les instructions. Le non-respect des avertissements de sécurité et des instructions peut entraîner une décharge électrique, un incendie et/ou des blessures graves. Veuillez conserver les avertissements de sécurité et les instructions pour consultation ultérieure.

Les symboles suivants sont utilisés dans le manuel d'utilisation ou apposés sur le produit:



Lisez le manuel d'utilisation.



Signale un risque de blessures, un danger mortel ou un risque d'endommagement de l'outil en cas de non-respect des instructions de ce manuel.



Tenir les autres personnes à distance.



Porter une protection oculaire.



Porter une protection auditive.



Porter un masque antipoussière.



Zone de danger ! Tenir les mains éloignées (10 cm) de la zone de coupe lorsque la machine est en marche. Risque de blessure en cas de contact avec la lame de scie.



Avertissement de rayonnement laser.



Le produit est conforme aux normes de sécurité en vigueur spécifiées dans les directives européennes.

CONSIGNES GÉNÉRALES DE SÉCURITÉ



AVERTISSEMENT! Veuillez lire l'intégralité des avertissements de sécurité et des instructions. Le non-respect de toutes les instructions indiquées cidessous peut entraîner un risque de choc électrique, d'incendie et/ou de blessures graves.

Conservez ces instructions.

Le terme "appareil électrique" mentionné dans tous les avertissements cidessous se rapporte à un appareil électrique qui se branche au réseau électrique (grâce à un câble d'alimentation) ou à un appareil électrique (sans fil) fonctionnant grâce à une batterie.

1) espace de travail

- a) **Veillez toujours à garder votre espace de travail propre et bien éclairé.** Les espaces mal rangés et sombres peuvent être la cause d'accidents.
- b) **N'utilisez pas les appareils électriques dans des environnements susceptibles d'explosion, par exemple en présence de liquides inflammables, de gaz ou de particules.** Les appareils électriques provoquent des étincelles qui peuvent enflammer les particules des émanations.
- c) **Veillez à garder éloignés les enfants et les personnes se trouvant dans votre voisinage, lors de l'utilisation d'un appareil électrique.** Les distractions peuvent vous faire perdre le contrôle de l'appareil.

2) mesures de sécurité électriques

- a) **Les prises des appareils électriques doivent être raccordées à la prise murale correspondante. Ne modifiez jamais la prise de l'appareil, de quelque façon que ce soit. N'utilisez pas d'adaptateurs qui mettent les appareils électriques à la terre (mise à la masse).** Des prises non modifiées et branchées à la prise murale correspondante réduiront les risques de choc électrique.
- b) **Évitez le contact direct avec les surfaces mises à la terre ou mises à la masse comme les canalisations, les radiateurs, les cuisinières et les réfrigérateurs.** En effet, le risque de choc électrique s'accroît si votre corps est mis à la terre ou à la masse.
- c) **N'utilisez pas d'outils électriques dans des environnements pluvieux ou humides.** Si de l'eau s'introduit dans un appareil électrique, le risque de choc électrique augmentera.
- d) **N'utilisez pas le câble de manière abusive. N'utilisez jamais le câble pour transporter, tirer ou débrancher l'appareil électrique. Veillez à garder le câble éloigné des sources de chaleur, des huiles, des rebords coupants ou des pièces actionnées.** Les câbles endommagés ou entremêlés augmentent le risque de choc électrique.

- e) **Lorsque un appareil est utilisé à l'extérieur, utilisez uniquement un câble prolongateur prévu à cet effet.** L'utilisation d'un câble à usage extérieur réduit le risque de choc électrique.
- f) **Si vous êtes contraint d'utiliser un outil électrique dans un environnement humide, utilisez une alimentation protégée par un dispositif à courant résiduel (RCD).** L'utilisation d'un RCD réduit le risque de décharge électrique.
- 3) Sécurité personnelle**
- a) **Restez vigilant, gardez un œil sur ce que vous faites et utilisez votre sens commun lors de l'utilisation d'un appareil électrique. N'utilisez pas un appareil électrique si vous êtes fatigué ou si vous êtes sous l'influence de drogues, d'alcool ou si vous prenez des médicaments.** Un moment d'inattention lors de l'utilisation des appareils électriques peut entraîner des blessures graves.
- b) **Utilisez un équipement de protection personnelle. Protégez-vous toujours les yeux.** Les équipements de protection, tels qu'un masque à poussière, des chaussures antidérapantes, des protections auditives ou un casque de sécurité, utilisés dans de bonnes conditions, réduiront le risque de blessures.
- c) **Prévenez tout démarrage involontaire. Assurez-vous que l'interrupteur est sur la position "arrêt avant de brancher l'appareil.** En effet, le transport des appareils électriques en gardant vos doigts sur l'interrupteur, ou le branchement de ces appareils en ayant l'interrupteur sur "marche accidents.
- d) **Retirez les clés de réglage ou les clés de vis de réglage avant d'allumer l'appareil électrique.** Une clé de vis de réglage ou une clé, laissée sur une pièce en mouvement de l'appareil électrique, peut entraîner des lésions corporelles.
- e) **Ne pas se précipiter. Gardez toujours vos pieds à plat et gardez votre équilibre.** Ceci permet de mieux contrôler l'appareil électrique dans des situations imprévues.
- f) **Habillez-vous convenablement. Ne portez pas de vêtements lâches ou de bijoux. Gardez vos cheveux, vêtements et gants éloignés des pièces actionnées.** En effet, ces derniers peuvent être pris dans les pièces en action.
- g) **Si les appareils sont fournis pour la connexion des équipements d'évacuation et de récupération de la poussière, assurez-vous que ces derniers soient correctement connectés et utilisés.** L'utilisation de ces appareils peut réduire les risques liés à la poussière.
- h) **Ne pensez pas être familiarisé avec l'outil après l'avoir utilisé à de nombreuses reprises, au point de ne plus rester vigilant et d'en oublier les consignes de sécurité.** Toute action imprudente peut engendrer de graves blessures en une fraction de seconde.
- 4) Utilisation et entretien d'un appareil électrique**
- a) **Ne forcez pas l'appareil électrique. Utilisez l'appareil électrique adéquat pour votre application.** Un appareil électrique correctement choisi assurera un meilleur travail et un travail sans danger, au rythme auquel il a été conçu.
- b) **N'utilisez pas l'appareil électrique si l'interrupteur marche/arrêt ne fonctionne pas.** Un appareil électrique qui ne peut pas être commandé par l'interrupteur de contrôle est dangereux et doit être réparé.
- c) **Débranchez la prise du bloc d'alimentation avant d'effectuer des réglages, de changer des accessoires, ou de ranger les appareils électriques.** Ces mesures de sécurité préventives réduiront le risque de démarrage involontaire de l'appareil électrique.
- d) **Rangez les appareils électriques arrêtés hors de la portée des enfants et ne laissez aucune personne, non familiarisée avec l'outil ou ces instructions, utiliser l'appareil électrique.** Les appareils électriques sont dangereux entre les mains d'utilisateurs non formés.
- e) **Entretenez les appareils électriques. Vérifiez tout défaut d'alignement et l'enchaînement des pièces actionnées, la rupture de ces dernières, et les autres conditions qui peuvent affecter le fonctionnement des appareils électriques. En cas de dommages, faites réparer l'appareil électrique avant de le réutiliser.** Nombreux sont les accidents provoqués par des appareils électriques mal entretenus.
- f) **Veillez à garder les outils coupants aiguisés et propres.** Des outils coupants correctement entretenus avec des lames aiguisées sont moins susceptibles de se bloquer et sont plus faciles à contrôler.
- g) **Utilisez l'appareil électrique, les accessoires et les embouts, etc., conformément à ces instructions et de la manière prévue pour le type spécifique de l'appareil électrique, en prenant en compte les conditions de travail et**

le travail à effectuer. L'utilisation de l'appareil électrique dans des applications différentes de celles prévues peut entraîner des situations dangereuses.

h) **Gardez les poignées et les surfaces de préhension sèches, propres et exemptes d'huile et de graisse.** Des poignées et des surfaces de préhension glissantes ne permettent pas de manipuler et de contrôler l'outil correctement en cas de situations inattendues.

h) **Gardez les poignées et les surfaces de préhension sèches, propres et exemptes d'huile et de graisse.** Des poignées et des surfaces de préhension glissantes ne permettent pas de manipuler et de contrôler l'outil correctement en cas de situations inattendues.

5) Utiliser et soigner les outils à batterie

a) **Rechargez la batterie uniquement avec le chargeur spécifié par le fabricant.** Un chargeur adapté à une certaine batterie peut être cause de danger d'incendie quand on l'utilise avec une batterie différente.

b) **Utilisez chaque outil uniquement avec la batterie conçue pour lui.** L'utilisation de toute autre batterie peut être cause de danger de blessure ou d'incendie.

c) **Lorsque une batterie n'est pas en usage, gardez-la hors d'atteinte d'objets métalliques tels que les trombones, pièces de monnaie, clés, clous, vis et autres petits objets métalliques pouvant faire le contact entre une borne et l'autre.** Un court-circuit entre les bornes de la batterie peut être cause de brûlures ou d'incendie.

d) **Dans des circonstances extrêmes, du liquide peut gicler hors de la batterie ; évitez tout contact. En cas de contact accidentel, rincez à l'eau. En cas de contact du liquide avec les yeux, consultez un médecin.** Le liquide qui giclé d'une batterie peut causer irritations ou brûlures.

e) **N'utilisez pas un bloc-batterie ou un outil endommagé ou modifié.** Une batterie endommagée ou altérée peut avoir un comportement imprévisible qui peut conduire à un incendie, une explosion ou un risque de blessure.

f) **N'exposez pas le bloc-batterie ou l'outil au feu ou à des températures excessives.** L'exposition au feu ou à des températures dépassant 130 °C peut provoquer une explosion. REMARQUE La température de "130°C" peut être remplacé par la température de "265°F".

g) **Respectez les instructions pour la charge et ne rechargez pas le bloc-batterie ou l'outil à une plage de températures hors de celle spécifiée dans les instructions.** Une charge mal effectuée ou à des températures hors de la plage spécifiée peut endommager la batterie et augmente le risque d'incendie.

6) Maintenance

a) **L'entretien de votre outil électrique doit être confié à un réparateur qualifié qui utilise uniquement des pièces de rechange identiques aux pièces d'origine.** Cela permet d'assurer la sécurité de l'outil électrique.

b) **Ne réparez jamais des blocs-batteries endommagés.** Les réparations sur les blocs-batteries ne doivent être effectuées que par le fabricant ou l'un de ses prestataires de services agréés.

INSTRUCTIONS DE SÉCURITÉ POUR SCIES SAUTEUSES

- **Avertissement de rayonnement laser.** Classe de laser 2, P max. : <1 mW, λ: 650 nm, EN 60825-1: 2014 Ne pas diriger le faisceau laser vers les personnes ou les animaux et ne pas regarder directement le faisceau laser, même de loin. Cet outil électrique génère une radiation laser de classe 2 selon EN 60825-1. Il est capable de provoquer la cécité.

- **Tenir l'outil par les surfaces de préhension isolées, lors de la réalisation d'une opération au cours de laquelle l'organe de coupe peut entrer en contact avec un câblage non apparent.**

Le contact avec un fil « sous tension » peut également mettre « sous tension » les parties métalliques exposées de l'outil électrique et provoquer un choc électrique sur l'opérateur.

- **Garder les mains à distance de la zone de sciage.** Ne pas passer les mains sous la pièce à travailler. Lors d'un contact avec la lame de scie, il y a risque de blessures.

- **N'approchez l'outil électroportatif de la pièce à travailler que quand l'appareil est en marche.** Sinon, il y a risque d'un contrecoup, au cas où l'outil se coincerait dans la pièce.

- **Veiller à ce que la plaque de base repose bien sur le matériau lors du sciage.** Une lame de scie coincée peut casser ou entraîner un contrecoup.

- **Une fois l'opération terminée, arrêter l'outil électroportatif et ne retirer la lame de scie**

de sa ligne de coupe que lorsque celle-ci est complètement à l'arrêt. Ainsi, un contrecoup est évité et l'outil électroportatif peut être retiré en toute sécurité.

- **N'utiliser que des lames de scie en parfait état.** Les lames de scie déformées ou émoussées peuvent se casser, avoir des effets négatifs sur la qualité de la coupe ou causer un contrecoup.
- **Une fois l'appareil arrêté, ne pas stopper la lame de scie en exerçant une pression latérale sur celle-ci.** La lame de scie peut être endommagée, se casser ou causer un contrecoup.
- **Utiliser des détecteurs appropriés afin de déceler des conduites cachées ou consulter les entreprises d'approvisionnement locales.** Un contact avec des conduites d'électricité peut provoquer un incendie ou un choc électrique. Un endommagement d'une conduite de gaz peut provoquer une explosion. La perforation d'une conduite d'eau provoque des dégâts matériels.
- **Bloquer la pièce à travailler.** Une pièce à travailler serrée par des dispositifs de serrage appropriés ou dans un étau est fixée de manière plus sûre que tenue dans les mains.
- **Avant de déposer l'outil électroportatif, attendre que celui-ci soit complètement à l'arrêt.** L'outil risque de se coincer, ce qui entraînerait une perte de contrôle de l'outil électroportatif.
- **Utilisez des pinces ou tout autre moyen pratique pour fixer et soutenir l'ouvrage sur une plateforme stable.** Tenir l'ouvrage à la main ou contre votre corps le rend instable et peut conduire à une perte de contrôle.

2. INFORMATIONS RELATIVES À LA MACHINE

Utilisation prévue

La machine est conçue pour scier le bois, le métal, le plastique, la céramique, le caoutchouc, etc, quelles que soient la taille et la forme requises, en maintenant la semelle reposer fermement sur l'ouvrage. Une lame de scie adaptée doit toujours être utilisée.

SPÉCIFICATIONS TECHNIQUES

N° de modèle	JS501DC
Tension du réseau	20V
Vitesse à vide	0-2500/min
Course de la scie	25mm

Capacité maximale, bois 0°	50mm
Capacité maximale, acier 0°	8mm
Poids	1,85 kg
Pression sonore L_{PA}	82,0 dB(A), K=3dB(A)
Puissance sonore L_{WA}	93,0 dB(A), K=3dB(A)
Vibration 'sciage tôle'	5,459 m/s ² K=1.5 m/s ²
Vibration 'sciage contre-plaqué'	5,658 m/s ² K=1.5 m/s ²

N'utilisez que les batteries suivantes de la plateforme Batterie VONROC VPOWER 20V. L'utilisation de toute autre batterie pourrait provoquer de graves blessures ou endommager l'outil.

CD801AA	20V, 2Ah Lithium-Ion
CD803AA	20V, 4Ah Lithium-Ion

Le chargeur suivant peut être utilisé pour recharger ces batteries.

CD802AA	Chargeur rapide
---------	-----------------

Les batteries de la plateforme Batterie VONROC VPOWER 20V sont interchangeables pour tous les outils de la plateforme Batterie VONROC VPOWER 20V.

Niveau de vibrations

Le niveau des vibrations émises, indiqué dans ce manuel, a été mesuré conformément à la procédure décrite par la norme EN 62841. Il peut être utilisé pour comparer deux outils ou pour réaliser une estimation préalable de l'exposition aux vibrations lors de l'utilisation de l'outil pour les applications mentionnées.

- L'utilisation de l'outil dans d'autres applications ou avec des accessoires différents ou mal entretenus peut considérablement augmenter le niveau d'exposition.
- La mise hors tension de l'outil et sa non-utilisation pendant qu'il est allumé peuvent considérablement réduire le niveau d'exposition.

Protégez-vous contre les effets des vibrations par un entretien correct de l'outil et de ses accessoires, en vous échauffant les mains et en organisant vos rythmes de travail.

DESCRIPTION

Les numéros dans le texte se rapportent aux schémas des pages 2-3.

1. Bouton de verrouillage
2. Interrupteur Marche/Arrêt
3. Poignée

4. Batterie
5. Bouton de libération Batterie
6. Interrupteur Mouvement orbital
7. Échelle de graduation de l'angle du biseau
8. Cache-semelle
9. Semelle
10. Rouleau de guidage
11. Interrupteur du laser
12. Carter de lame
13. Levier de serrage
14. Boulons à ailette pour le guide parallèle
15. Clé à six pans
16. Mandrin
17. Lame de scie
18. Boulon de la semelle
19. Guide parallèle
20. Laser
21. Repère de coupe
22. Vis de réglage du laser

3. MONTAGE



Avant tous travaux sur l'outil électroportatif, sortez l'accu.



Vous devez charger la batterie avant la première utilisation.

Insertion de la batterie dans la machine (Fig. A, G)



Vérifiez que la surface extérieure de la batterie est propre et sèche avant de brancher le chargeur ou la machine.

1. Insérez la batterie (4) dans la base de la machine, comme illustré à la Fig. G.
2. Poussez la batterie vers l'avant jusqu'à ce qu'elle s'enclenche.

Retrait de la batterie de la machine (Fig. A, G)

1. Poussez les bouton de déverrouillage de la batterie (5).
2. Retirez la batterie de la machine, comme illustré à la Fig. G.

Remplacer la lame de scie (Fig. A, C)



Portez des gants de protection pour installer la lame de scie. Risque de blessure en cas de contact avec la lame.



N'utilisez que des lames de scie correspondant aux caractéristiques mentionnées dans les instructions d'utilisation.

Installer la lame de scie



Assurez-vous que le porte-lame est exempt de tout débris de matériau (éclats de bois ou de métal par exemple).

1. Tournez le levier de serrage (13) aussi loin que possible vers la gauche et maintenez-le en position.
2. Insérez la lame de scie dans le mandrin (16). Contrôlez que la lame de scie est bien sécurisée et que les dents pointent dans le sens de coupe.
3. Relâchez le levier de serrage. Contrôlez que l'arrière de la lame de scie est positionnée au centre du rouleau de guidage (10).

Assurez-vous d'utiliser la bonne lame de scie en fonction de la matière à scier. Une lame de scie à grosses dents pour le bois et une lame de scie à dents fines pour le métal et le plastique sont fournies avec la machine.

Retirer la lame de scie

1. Tournez le levier de serrage (13) aussi loin que possible vers la gauche et maintenez-le en position.
2. Retirez la lame de scie du mandrin (16).
3. Relâchez le levier de serrage.

Installer le guide parallèle (Fig. D)

1. Desserrez le boulon à ailette (14).
2. Installez le guide parallèle (19) sur la semelle (9).
3. Réglez la largeur de coupe voulue à l'aide de l'échelle de graduation du guide parallèle (14) et du repère de coupe sur la semelle (20). Le repère de coupe (20) indique la position de la lame de scie.

4. FONCTIONNEMENT

Allumer et éteindre la machine (Fig. A)

- Pour démarrer la machine, maintenez le bouton de verrouillage (1) enfoncé et appuyez sur l'interrupteur Marche/Arrêt (2).
- Plus l'interrupteur Marche/Arrêt (2) est enfoncé, plus la lame se déplace rapidement. La vitesse requise dépend de la matière de la pièce et elle peut être définie après des tests pratiques.
- Pour éteindre la machine, relâchez l'interrupteur Marche/Arrêt (2).

Allumer et éteindre le laser (Fig. A)

- Appuyez sur l'interrupteur du laser (11) pour allumer et éteindre le laser. L'interrupteur du laser (11) allume également l'éclairage de travail LED.

Réglage fin du laser

Remarque: pour tester la fonction laser, la batterie doit être insérée dans l'outil électrique.



Lors du réglage du laser, n'activez jamais le commutateur marche / arrêt. Un démarrage accidentel de l'outil électrique peut entraîner des blessures.

Si le laser (11) cesse d'indiquer la ligne de coupe correcte, vous pouvez réajuster le laser. Pour ce faire, réglez la vis de réglage du laser (22) et réglez le laser jusqu'à ce qu'il indique une ligne de coupe correcte.

Régler l'angle de biseau (Fig. B, F)

- Desserrez le boulon (18), à l'aide de la clé à six pans (15).
- Réglez la semelle (9) à la position voulue (entre 0° et 45°). L'angle de coupe (biseau) peut être lu sur l'échelle de graduation (7).
- Resserrez le boulon (7), à l'aide de la clé à six pans (15). Il est possible de ranger la clé à six pans dans la machine, comme illustré par la Fig. B.

Régler le mouvement orbital (Fig. A)

L'interrupteur du mouvement pendulaire sert à régler la façon dont les dents de la lame de scie accrochent la matière. L'interrupteur du mouvement pendulaire permet 4 positions de réglage :

- 0 - Aucun mouvement orbital
- 1 - Faible mouvement orbital
- 2 - Mouvement orbital moyen
- 3 - Grand mouvement orbital

Le mouvement orbital requis peut être défini par des tests en respectant les instructions suivantes :

- Matière tendre (bois, plastique, etc.): réglez le mouvement pendulaire au niveau II ou III. Pour une coupe plus fine et plus propre, utilisez le niveau 0 ou I.
- Matière fine, utilisez le niveau de mouvement pendulaire 0.
- Matière dure (acier, etc.) : réglez le mouvement pendulaire au niveau 0.

- Courbes : réglez le mouvement pendulaire au niveau 0.

Coupes plongeantes (Fig. H)

Les coupes plongeantes ne peuvent être réalisées que dans des matières tendres comme le bois, le béton cellulaire, le plâtre, etc. Elles requièrent cependant une certaine pratique et nécessitent des lames de scie courtes.

- Posez la scie sur l'ouvrage et allumez-la.
- Assurez-vous que le bord inférieur de la semelle repose sur l'ouvrage comme illustré par la figure H.
- Sciez lentement la matière à un certain angle en déplaçant la scie à la verticale et continuez à scier le long de la ligne de coupe.
- Éteignez la scie et retirez l'ouvrage lorsque la tâche est terminée.

Utilisation optimale

- Serrez la pièce à ouvrir. Utilisez un appareil de serrage pour les petites pièces.
- Tirez une ligne définissant la direction de guidage de la lame de scie.
- Tenez fermement la machine par la poignée.
- Réglez la vitesse de coupe.
- Réglez l'angle d'onglet.
- Réglez la position pendulaire.
- Mettez la machine en marche.
- Attendez que la machine atteigne son régime maximum.
- Placez le patin de scie sur la pièce à ouvrir.
- Déplacez lentement la machine le long de la ligne tracée en appuyant le patin de scie fermement contre le mur.
- N'exercez pas de pression excessive sur la machine. Laissez la machine faire le travail.
- Éteignez la machine et attendez son immobilisation totale avant de la reposer.

5. ENTRETIEN

Avant le nettoyage et l'entretien, mettez toujours la machine hors tension et retirez la batterie de la machine.

Nettoyez le corps de la machine régulièrement au moyen d'un chiffon doux, de préférence après chaque utilisation. Vérifiez que les ouvertures d'aération ne sont pas obstruées ni sales. Utilisez un chiffon doux légèrement humidifié avec de la mousse de savon pour nettoyer les taches persistantes.

N'utilisez pas de produits de nettoyage tels que l'essence, l'alcool, l'ammoniac, etc.; ces produits peuvent endommager les parties synthétiques.

Le produit et le manuel d'utilisation sont sujets à modifications. Les spécifications peuvent changer sans préavis.

ENVIRONNEMENT



Les équipements électroniques ou électriques défectueux ou destinés à être mis au rebut doivent être déposés aux points de recyclage appropriés.

Uniquement pour les pays de l'UE

Ne jetez pas les outils électriques avec les déchets domestiques. Selon la Directive européenne 2012/19/CE relative aux déchets d'équipements électriques et électroniques et sa mise en œuvre dans le droit national, les outils électriques hors d'usage doivent être collectés séparément et mis au rebut de manière écologique.

GARANTIE

Les produits VONROC sont développés aux plus hauts standards de qualité et ils sont garantis contre les défauts de pièces et de main d'oeuvre pendant la durée légale stipulée à partir de la date d'achat d'origine du produit. En cas d'une quelconque panne du produit pendant cette durée qui serait due à un défaut matériel et/ou de main d'oeuvre, contactez directement VONROC.

Les circonstances suivantes ne sont pas prises en charge par la garantie:

- Des réparations ou altérations ont été effectuées ou tentées sur la machine par un centre de réparation non agréé.
- L'usure normale.
- L'outil a été maltraité, mal utilisé ou mal entretenu.
- Des pièces détachées non d'origine ont été utilisées.

Ceci constitue l'unique garantie accordée par la société explicitement ou implicitement. Il n'existe aucune autre garantie, explicite ou implicite, qui peut s'étendre au delà du contenu ici présent, y compris les garanties marchandes ou d'adaptation à des fins particulières. En aucun cas VONROC ne sera tenu responsable de dommages accidentels ou consécutifs. Les solutions proposées par les revendeurs devront se limiter à la réparation ou le remplacement des éléments ou pièces non conformes.

1. INSTRUCCIONES DE SEGURIDAD

Lea las advertencias de seguridad, las advertencias de seguridad adicionales y las instrucciones adjuntas. De no respetarse las advertencias de seguridad y las instrucciones, podrían producirse descargas eléctricas, incendios y/o lesiones graves. Conserve las advertencias de seguridad y las instrucciones para su posterior consulta.

Los siguientes símbolos se utilizan en el manual de usuario o en el producto:



Lea el manual de usuario.



Riesgo de lesiones personales.



Mantenga a terceros, especialmente niños y mascotas, a una distancia superior a 10 m.



Use protección ocular.



Use protectores auditivos.



Use mascarilla contra el polvo.



¡Área de peligro! Mantenga las manos alejadas (10 cm) del área de corte cuando la máquina está en funcionamiento. Peligro de lesiones al entrar en contacto con la hoja de la sierra.



Avvertenza di radiazione laser.



El producto es conforme con las normas de seguridad vigentes en las Directivas Europeas.

INSTRUCCIONES GENERALES DE SEGURIDAD



PRECAUCIÓN! *Lea todas las advertencias de seguridad y todas las instrucciones. Si no lo hace, el uso indebido puede acarrear cortocircuitos, fuego o lesiones graves.*

Conserve estas instrucciones.

El término "herramienta eléctrica", en todas las advertencias enumeradas a continuación se refiere a su herramienta eléctrica (i inalámbrica) que funciona con una batería o a través de la red eléctrica.

- 1) **Área de trabajo**
 - a) **Trabaje en un lugar limpio y bien iluminado.** Lugares no iluminados o sucios propician accidentes.
 - b) **No use herramientas eléctricas donde haya riesgo de fuego o explosión, p.ej: cerca de líquidos o gases inflamables, polvo etc.** Las herramientas eléctricas producen chispas que pueden producir la ignición de partículas de humo.
 - c) **Mantenga a los niños y otras personas alejados mientras utiliza la herramienta eléctrica.** Las distracciones pueden hacer que pierda el control de la herramienta.

2) Seguridad eléctrica

- a) **Cerciórese de que las clavijas de la herramienta eléctrica están correctamente enchufadas. Nunca modifique la clavija. No utilice ningún adaptador para la clavija de una herramienta eléctrica con conexión a tierra.** Las clavijas que no se hayan cambiado y los enchufes adecuados reducen el riesgo de cortocircuitos.
- b) **Evite el contacto humano con superficies con conexiones a tierra como tubos metálicos, conductos, tubos de la calefacción, radiadores y refrigeradores.** El riesgo de cortocircuitos es mayor cuando el cuerpo está en contacto con el suelo.
- c) **No use herramientas eléctricas bajo la lluvia o en entornos húmedos.** Si entra agua en una herramienta eléctrica aumenta el riesgo de cortocircuito.
- d) **No utilice el cable para todo. Nunca utilice el cable para mover la máquina, empujarla o sacar la clavija del enchufe. Mantenga el cable alejado del calor, aceite, zonas cortantes o piezas en movimiento.** Los cables dañados o enredados aumentan el riesgo de cortocircuito.
- e) **Use un cable alargador impermeable adecuado para exteriores cuando trabaje con la herramienta eléctrica al aire libre.**
El riesgo de cortocircuito es menor si utiliza un cable alargador adecuado para exteriores.
- f) **Si no se puede evitar el uso de la herramienta eléctrica en un lugar húmedo, use suministro protegido mediante dispositivo diferencial residual (DDR).** El uso de un DDR reduce el riesgo de choque eléctrico.
- h) **No permita que la familiaridad adquirida con el uso frecuente de las herramientas le haga confiarse e ignorar los principios de seguridad de las herramientas.** Una acción descuidada puede causar lesiones graves en una fracción de segundo.

3) Seguridad personal

- a) **No se descuide, preste atención a lo que está haciendo y utilice el sentido común mientras trabaje con esta herramienta. No use herramientas eléctricas cuando esté cansado o esté bajo los efectos del alcohol, las drogas o los medicamentos.** Un momento de distracción, mientras utilice la herramienta eléctrica, puede provocar lesiones personales graves.
 - b) **Use equipo de protección individual. Use siempre gafas protectoras.** El uso en condiciones apropiadas del equipo de seguridad como por ejemplo: mascarilla antipolvo, zapatos antideslizantes de seguridad, casco o protección para los oídos, disminuye el riesgo de sufrir lesiones personales.
 - c) **Evite arranques involuntarios. Asegúrese de que el interruptor está en la posición de apagado antes de conectarlo a la fuente de electricidad.** Transportar herramientas eléctricas con el dedo puesto sobre el interruptor o enchufarlas con el interruptor encendido puede causar accidentes.
 - d) **Quite cualquier llave de ajuste antes de encender la herramienta eléctrica.** Una llave olvidada junto a una pieza móvil de la herramienta eléctrica puede provocar lesiones personales graves.
 - e) **No se estire demasiado. Mantenga siempre el equilibrio y tenga los pies en el suelo.** Esto permite un mayor control de la herramienta eléctrica en situaciones inesperadas.
 - f) **Vístase apropiadamente. No lleve prendas holgadas o joyas. Mantenga su pelo, ropa y guantes alejados de las piezas móviles.** Las prendas holgadas, las joyas y el pelo largo pueden quedar atrapados en las piezas móviles.
 - g) **Si se han suministrado dispositivos para la extracción y recogida de polvo asegúrese de que estos estén conectados y se utilicen correctamente.** El uso de estos dispositivos puede reducir los riesgos relacionados con el polvo.
 - h) **Mantenga las asas y las superficies de agarre secas, limpias y libres de aceite y grasa.** Las asas y las superficies de agarre resbaladizas no permiten un manejo y control seguros de la herramienta en situaciones inesperadas.
- 4) Utilización y cuidados de la herramienta eléctrica**
- a) **No fuerce la herramienta eléctrica. Utilice la herramienta eléctrica adecuada para el trabajo que vaya a realizar.** Una herramienta eléctrica apropiada realizará un trabajo mejor y más

seguro si se utiliza para el objetivo con el que ha sido diseñada.

- b) **No use herramientas que no pueden encenderse o apagarse con el interruptor.** Las herramientas que ya no se puedan encender y apagar son peligrosas y deben repararse.
 - c) **Desenchufe la clavija de la toma de electricidad antes de realizar modificaciones, cambiar accesorios o guardar las herramientas eléctricas.** Tales medidas de seguridad preventivas reducen el riesgo de la puesta en marcha accidental.
 - d) **Mantenga a los niños alejados de una herramienta eléctrica sin utilizar y no permita a personas que no estén familiarizadas con la máquina o estas instrucciones utilizar la herramienta.** La herramienta eléctrica puede ser peligrosa cuando la utilicen personas sin experiencia.
 - e) **Conserve sus herramientas cuidadosamente. Verifique cualquier desalineación o agarrotamiento de piezas móviles, piezas dañadas y cualquier otra causa, que pudiera repercutir en el buen funcionamiento de la herramienta eléctrica. Si la herramienta está estropeada, repárela antes de utilizarla.** Muchos de los accidentes están causados por un mantenimiento insuficiente del equipo eléctrico.
 - f) **Mantenga las herramientas de corte limpias y afiladas.** Sierras con esquinas cortantes con un buen mantenimiento se bloquean menos y son más fáciles de controlar.
 - g) **Utilice la herramienta eléctrica, accesorios y brocas etc. Siguiendo las instrucciones atendiendo al tipo de herramienta eléctrica y tenga en cuenta las condiciones de trabajo y el tipo de trabajo que se va a realizar.** Puede ser peligroso realizar trabajos con la herramienta diferentes de aquellos para los que está diseñada.
- 5) Uso y cuidado de las herramientas alimentadas por batería**
- a) **Recargue las baterías únicamente con el cargador recomendado por el fabricante.** Un cargador que es apto para un tipo de baterías determinado puede provocar riesgo de incendio si se usa para cargar otra clase de baterías.
 - b) **Use las herramientas eléctricas sólo con las baterías indicadas específicamente.** El uso de otra clase de baterías diferente puede ocasionar el riesgo de derivar en lesiones o un incendio.
 - c) **Cuando el paquete de baterías no esté en uso, consérvolo retirado de objetos metálicos como**

sujetapapeles, monedas, llaves, clavos, tornillos o cualquier otro objeto metálico pequeño que pueda hacer puente entre las terminales.

El contacto entre las terminales de la batería puede causar quemaduras o incendio.

- d) **Bajo condiciones extremas de abuso la batería podría expulsar un líquido; evite todo contacto. Si se produjese contacto accidentalmente, lávese bien con agua. Si el líquido hace contacto con los ojos, consulte también al médico.**

El líquido emanado de la batería puede causar irritaciones o quemaduras.

- e) **No utilice una batería o una herramienta que esté dañada o modificada.** Las baterías dañadas o modificadas pueden presentar un comportamiento impredecible y provocar un incendio, una explosión o riesgo de lesiones.
- f) **No exponga una batería o una herramienta al fuego o a temperatura excesiva.** La exposición al fuego o a temperaturas superiores a 130 °C puede provocar una explosión.
NOTA La temperatura "130 °C" puede sustituirse por la temperatura "265 °F".
- g) **Siga todas las instrucciones de carga y no cargue la batería o la herramienta fuera del rango de temperatura especificado en las instrucciones.** La carga incorrecta o a temperaturas fuera del rango especificado puede causar daños a la batería y aumentar el riesgo de incendio.

6) Servicio

- a) **Haga reparar su herramienta eléctrica por una persona cualificada, usando solo piezas de repuesto idénticas.** Esto garantiza que se mantenga la seguridad de la herramienta eléctrica.
- b) **Nunca repare las baterías dañadas.** El mantenimiento de las baterías debe ser realizado solo por el fabricante o los proveedores de servicio autorizados.

ADVERTENCIAS DE SEGURIDAD PARA SIERRAS DE VAIVÉN

- **Advertencia de radiación láser.** Láser de clase 2, P máx.: <1 mW, λ: 650 nm, EN 60825-1:2014. No mire directamente al haz del láser ni a la abertura de la que sale. Nunca dirija el haz del láser hacia personas, animales o superficies reflectantes. Incluso un contacto visual breve puede causar daños en la vista. Examinar la abertura de salida del láser usando instrumentos ópticos (por ejemplo, lupas, vidrios de

aumento y otros dispositivos similares) conlleva el riesgo de daño ocular. Al trabajar con un láser de clase 2, observe las normas nacionales sobre el uso de protección ocular.

- **Aferre la herramienta eléctrica por las superficies de agarre aisladas cuando realice alguna operación en la que el accesorio de corte pueda entrar en contacto con cables ocultos.** Si el accesorio de corte entra en contacto con un cable bajo tensión, puede exponer las partes metálicas de la herramienta a tensión y ocasionar una descarga eléctrica al operador.
- **Mantenga las manos alejadas de la zona de corte.** No ponga las manos debajo de la pieza de trabajo. El contacto con la hoja de la sierra puede causar lesiones.
- **Coloque la máquina sobre la pieza de trabajo solo cuando la máquina está encendida.** De lo contrario, existe el riesgo de contragolpes si la herramienta de corte se atasca en la pieza de trabajo.
- **Preste atención a que la placa de base esté bien apoyada sobre el material cuando corte.** Si la hoja de la sierra se atasca puede romperse o causar contragolpes.
- **Después de terminar el corte, desconecte la máquina y extraiga la hoja de la sierra del corte solo después de que se haya detenido.** De esta manera puede evitar el contragolpe y puede apoyar la máquina de forma segura.
- **Use solo hojas de sierra en perfecto estado y que no estén dañadas.** Las hojas de sierra dobladas o desafiladas pueden romperse, arruinar el corte o causar un contragolpe.
- **No frene la hoja de sierra para pararla aplicando una presión lateral después de desconectarla.** La hoja de la sierra puede dañarse, romperse o causar un contragolpe.
- **Use detectores apropiados para determinar si hay líneas de servicios ocultas en el área de trabajo o llame a la compañía de servicios local para obtener información.** Cualquier contacto con las líneas eléctricas puede provocar incendios y descargas eléctricas. Si se daña un tubo de gas, se puede provocar una explosión. Si se penetra en una línea de agua, se pueden causar daños a la propiedad.
- **Inmovilice la pieza de trabajo.** Una pieza de trabajo fijada con dispositivos de fijación o en un tornillo de banco se sujeta de forma más segura que con la mano.
- **Espere siempre a que la máquina se detenga**

completamente antes de apoyarla. La pieza insertada puede atascarse y provocar la pérdida de control de la herramienta eléctrica.

- **Utilice prensas o cualquier otro medio práctico de asegurar y sostener la pieza de trabajo en una plataforma segura.** Si sujeta la pieza de trabajo con las manos o contra su cuerpo, la pieza perderá estabilidad y podría perder el control de la misma.

2. INFORMACIÓN DE LA MÁQUINA

Uso previsto

La máquina ha sido diseñada para cortar madera, metales, plásticos, cerámica, caucho, etc. de cualquier tamaño y forma que sea necesario, manteniendo la placa de base bien apoyada contra la pieza de trabajo. Siempre se debe usar una hoja de sierra adecuada.

ESPECIFICACIONES TÉCNICAS

Modelo n.º	JS501DC
Voltaje principal	20V
Velocidad sin carga	0-2500/min
Carrera de la sierra	25mm
Cap. máx. de la sierra, madera 0°	50mm
Cap. máx. de la sierra, acero 0°	8mm
Peso	1,85 kg
L _{PA} (Nivel de presión sonora)	82,0 dB(A), K=3dB(A)
L _{WA} (Nivel de potencia sonora)	93,0 dB(A), K=3dB(A)
Vibración "Corte de chapa"	5,459 m/s ² K=1,5 m/s ²
Vibración "Cortar madera contrachapada"	5,658 m/s ² K=1,5 m/s ²

Use solo las siguientes baterías de la plataforma de baterías VONROC POWER 20V. El uso de cualquier otra batería puede causar lesiones graves o dañar la herramienta.

CD801AA	20V, 2 Ah de iones de litio
CD803AA	20V, 4 Ah de iones de litio

Para cargar estas baterías se puede utilizar el siguiente cargador de batería.

Cargador rápido CD802AA

Las baterías de la plataforma de baterías VONROC POWER 20V son intercambiables con todas las

herramientas de la plataforma de baterías VONROC POWER 20V.

Nivel de vibración

El nivel de emisión de vibraciones indicado en este manual de instrucciones ha sido medido según una prueba estándar proporcionada en EN 62841; puede utilizarse para comparar una herramienta con otra y como valoración preliminar de la exposición a las vibraciones al utilizar la herramienta con las aplicaciones mencionadas

- al utilizarla para distintas aplicaciones o con accesorios diferentes o con un mantenimiento deficiente, podría aumentar de forma notable el nivel de exposición
- en las ocasiones en que se apaga la herramienta o cuando está funcionando pero no está realizando ningún trabajo, se podría reducir el nivel de exposición de forma importante

Protéjase contra los efectos de la vibración realizando el mantenimiento de la herramienta y sus accesorios, manteniendo sus manos calientes y organizando sus patrones de trabajo

DESCRIPCIÓN

Los números del texto se refieren a los diagramas de las páginas 2-3.

1. Botón de bloqueo
2. Interruptor de encendido/apagado
3. Empuñadura
4. Batería (no suministrada)
5. Botón de desbloqueo de la batería
6. Interruptor pendular
7. Escala para ángulo de bisel
8. Cubierta de la placa de base
9. Placa de base
10. Rodillo de guía
11. Interruptor del láser
12. Protector
13. Palanca de sujeción
14. Tornillos de mariposa de la guía paralela
15. Llave hexagonal
16. Portaherramienta
17. Hoja de la sierra
18. Tornillo para la placa de base
19. Guía paralela
20. Láser
21. Marca de corte
22. Tornillo de ajuste del láser

3. MONTAJE



Antes de realizar cualquier trabajo en la herramienta eléctrica, extraiga la batería.



Debe cargarse la batería antes de usar por primera vez la herramienta.

Insertar la batería en la máquina (Fig. A, G)



Compruebe que la parte exterior de la batería esté limpia y seca antes de colocarla en el cargador o en la máquina.

1. Inserte la batería (4) en la base de la máquina como se muestra en la Fig. F.
2. Pulse la batería más hacia delante hasta que haga clic en su sitio.

Extraer la batería de la máquina (Fig. A, G)

1. Apriete los botones de desbloqueo de la batería (5).
2. Saque batería de la máquina como se muestra en la Fig. G.

Sustitución de la hoja de la sierra (Fig. A, C)



Cuando monte la hoja de la sierra, use guantes protectores. Peligro de lesiones al tocar la hoja de la sierra.



Utilice únicamente hojas de sierra que correspondan con los datos de las características indicados en las instrucciones de funcionamiento.

Montar la hoja de la sierra



Compruebe que el portahoja no tenga restos de material (como astillas de madera o metal).

1. Gire la palanca de sujeción (13) lo más a la izquierda posible y mantenerla en esa posición.
2. Insertar la hoja de la sierra en el mandril (16). Compruebe que la hoja de la sierra está bien sujeta y que los dientes apuntan hacia abajo.
3. Suelte la palanca de sujeción. Compruebe si la hoja de la sierra está bloqueada en su sitio.

Asegúrese de usar la hoja de sierra adecuada para el material que corresponda. La máquina se suministra con una hoja de sierra para madera y una hoja de sierra fina para metal y plástico.

Desmontar la hoja de la sierra

1. Gire la palanca de sujeción (13) lo más a la izquierda posible y mantenerla en esa posición.
2. Extraer la hoja de sierra del mandril (16).
3. Suelte la palanca de sujeción.

Colocación de la guía paralela (Fig. D)

1. Afloje los tornillos de mariposa (14).
2. Monte la guía paralela (19) en la placa de base (9).
3. Ajuste el ancho de corte deseado utilizando la escala de la guía paralela (14) y la marca de corte de la placa de base (20). La marca de corte (20) indica la posición de la hoja de la sierra.
4. Apriete los tornillos de mariposa (14).

4. FUNCIONAMIENTO

Encendido y apagado de la máquina (Fig. A)

El interruptor de encendido / apagado (2) se utiliza para activar la máquina y ajustar la velocidad.

- Para encender la máquina, mantenga pulsado el botón de desbloqueo (1) y después pulse el interruptor de Encendido/Apagado (2).
- Cuanto más se pulse el interruptor de encendido/apagado (2), más rápido se moverá la hoja. La velocidad requerida depende del material y puede establecerse mediante pruebas prácticas.
- Para parar la máquina, suelte el interruptor de encendido/apagado (2).

Encendido y apagado del láser (Fig. A)

- Pulse el interruptor del láser (11) para encender o apagar el láser. El interruptor láser (11) también enciende la luz de trabajo de LED.

Realice el ajuste fino del láser

Nota: Para probar el funcionamiento del láser, la batería debe estar colocada en la herramienta eléctrica.



Mientras ajusta el láser, nunca toque el interruptor de encendido/apagado. El arranque accidental de la herramienta eléctrica puede causar lesiones.

Si el láser (11) deja de indicar la línea de corte correcta, tiene que reajustar el láser. Para ello, ajuste el tornillo de ajuste láser (22) y el láser hasta que este indique una línea de corte correcta.

Ajuste del ángulo de bisel (Fig. B, F)

1. Afloje los tornillos de la placa de base (18) utilizando la llave hexagonal (15).
2. Ajuste la placa de base (9) en la posición deseada (0° - 45°). El ángulo de aserrado (bisel) se puede leer en la escala (7).
3. Apriete el tornillo (7) con la llave hexagonal (15). La llave hexagonal puede guardarse en la máquina como se muestra en la Fig. B.

Ajuste del interruptor pendular (Fig. A)

El interruptor pendular se utiliza para ajustar el modo en que los dientes de la hoja de la sierra agarran el material.

El interruptor pendular se puede ajustar en 4 posiciones:

- 0 - Sin péndulo
- 1 - Péndulo pequeño
- 2 - Péndulo medio
- 3 - Péndulo grande.

La acción pendular requerida puede determinarse mediante pruebas prácticas, pero se pueden seguir las siguientes instrucciones:

- Material blando (madera, plástico, etc.): ajuste el péndulo en el nivel II o III. Para un corte de sierra más fino y neto, utilice un péndulo de nivel 0 o I.
- Material delgado, use el péndulo de nivel 0.
- Material duro (acero, etc.): ajuste el péndulo en el nivel 0.
- Curvas: ajuste el péndulo en el nivel 0.

Corte de desplome (Fig. H)

El corte de desplome tan sólo puede utilizarse con materiales suaves como la madera, el hormigón aireado, los paneles de yeso, etc. Sin embargo, exige una determinada práctica y tan sólo es posible con hojas de sierra cortas.

1. Coloque la sierra en la pieza de trabajo y enciéndala.
2. Asegúrese de que el borde inferior de la placa base permanece en la pieza de trabajo tal y como se indica.
3. Corte lentamente la pieza de trabajo en ángulo, moviendo la sierra en posición vertical a lo largo de la línea de corte.
4. Apague la sierra y retírela de la pieza cuando haya acabado el trabajo.

Consejos para un uso óptimo

- Fije la pieza de trabajo. Utilice un dispositivo de fijación para piezas de trabajo pequeñas.
- Trace una línea para definir la dirección en la que guiar la hoja de sierra.
- Sujete la máquina firmemente por la empuñadura.
- Ajuste la velocidad de serrado.
- Ajuste el ángulo de inglete.
- Ajuste la posición pendular.
- Encienda la máquina.
- Espere hasta que la máquina alcance la máxima velocidad.
- Coloque la base de la sierra sobre la pieza de trabajo.
- Mueva lentamente la máquina por la línea pretrazada, presionando firmemente la base de la sierra contra la pieza de trabajo.
- No aplique demasiada presión sobre la máquina. Deje que la máquina haga el trabajo.
- Apague la máquina y espere que ésta se detenga completamente antes de dejarla.

5. MANTENIMIENTO

Antes de realizar la limpieza y el mantenimiento, apague siempre la máquina y extraiga el paquete de baterías de la máquina.

Limpie regularmente la carcasa de la máquina con un paño suave, preferentemente después de cada uso. Compruebe que los orificios de ventilación estén libres de polvo y suciedad. Elimine el polvo persistente utilizando un paño suave humedecido con agua y jabón. No use disolventes tales como gasolina, alcohol, amoníaco, etc. Tales productos químicos pueden dañar los componentes sintéticos.

MEDIO AMBIENTE

Los aparatos eléctricos o electrónicos defectuosos y/o desechados deben recogerse en lugares de reciclado apropiado.

Sólo para países CE

No deseche las herramientas eléctricas con los residuos domésticos. De conformidad con la Directiva Europea 2012/19/EU sobre residuos de aparatos eléctricos y electrónicos y su implementación en el derecho nacional, las herramientas eléctricas que dejen de funcionar deben recogerse

por separado y desecharse de forma respetuosa con el medio ambiente.

CONDICIONES DE GARANTÍA

Los productos VONROC han sido desarrollados con los más altos estándares de calidad y VONROC garantiza que están exentos de defectos relacionados con los materiales y la fabricación durante el periodo legalmente estipulado, a contar desde la fecha de compra original. En caso de que el producto presente defectos relacionados con los materiales y/o la fabricación durante este periodo, póngase directamente en contacto VONROC.

La presente garantía se excluye en los siguientes casos:

- Si centros de servicios no autorizados han realizado o han intentado realizar reparaciones y/o alteraciones a la máquina.
- Si se ha producido un desgaste normal.
- Si la herramienta ha sido mal tratada o usada en modo impropio, o se ha realizado incorrectamente su mantenimiento.
- Si se han utilizado piezas de repuesto no originales.

La presente constituye la única garantía implícita y explícita que ofrece la compañía. No existen otras garantías explícitas o implícitas que excedan las citadas aquí, incluidas las garantías implícitas de comerciabilidad e idoneidad para una finalidad en especial. VONROC no será considerada responsable en ningún caso por daños incidentales o consecuentes. Los recursos a disposición de los distribuidores se limitan a la reparación o a la sustitución de las unidades o piezas no conformes.

El producto y el manual de usuario están sujetos a variaciones. Las especificaciones pueden variarse sin previo aviso.

1. ISTRUZIONI DI SICUREZZA

Leggere accuratamente gli avvisi di sicurezza, gli avvisi di sicurezza aggiuntivi e le istruzioni. La mancata osservanza degli avvisi di sicurezza e delle istruzioni potrebbe causare scosse elettriche, incendio e/o gravi lesioni. Mantenere gli avvisi di sicurezza e le istruzioni a portata di mano per future consultazioni.

I seguenti simboli sono utilizzati nel presente manuale utente o sul prodotto:



Leggere il manuale utente.



Pericolo di lesioni personali.



Tenere i presenti (in particolare bambini e animali domestici) a più di 10 metri di distanza.



Indossare dispositivi di protezione per gli occhi.



Indossare dispositivi di protezione per l'udito.



Indossare una maschera antipolvere.



Area di pericolo! Tenere le mani a debita distanza (10 cm) dall'area di taglio mentre l'elettrotensile è in funzione. Pericolo di lesioni personali in caso di contatto con la lama.



Avvertenza di radiazione laser.



Il prodotto è conforme agli standard pertinenti in materia di sicurezza previsti dalla legislazione Europea.

REGOLE GENERALI DI SICUREZZA



ATTENZIONE! Leggere tutte le avvertenze di sicurezza e tutte le istruzioni. Se non si seguono tutte le istruzioni sotto elencate, si può incorrere in uno shock elettrico, in un incendio e/o in lesioni serie.

Conservare queste istruzioni.

Il termine "arnese elettrico" in tutti gli avvertimenti sotto elencati si riferisce al vostro arnese elettrico

che funziona a corrente (con filo) o ad un arnese che funziona a pile (senza filo).

1) Area di lavoro

a) **Mantenere l'area di lavoro pulita e ben illuminata.**

Aree buie e disordinate favoriscono gli incidenti.

b) **Non usare arnesi elettrici in atmosfere esplosive, come vicino ai liquidi infiammabili, gas o polveri.** Gli arnesi elettrici creano scintille che possono incendiare la polvere dei vapori.

c) **Tenere lontani bambini e altre persone mentre si accende l'arnese elettrico.** Le distrazioni possono farvi perdere il controllo.

2) Sicurezza elettrica

a) **Le spine dell'arnese elettrico devono andare bene per la presa di corrente. Non modificare mai la spina in alcun modo. Non usare alcun adattatore con arnesi elettrici a terra (messo a terra).** Spine non modificate che vanno bene per le prese di corrente ridurranno il rischio di shock elettrico.

b) **Evitare il contatto corporeo con superfici a terra come tubature, radiatori, fornelli e refrigeratori.** C'è un rischio maggiore di shock elettrico se il vostro corpo è a terra.

c) **Non esporre arnesi elettrici alla pioggia o a condizioni di umidità.** Se dell'acqua penetra nell'arnese elettrico aumenterà il rischio di shock elettrico.

d) **Non abusare del filo. Non usare mai il filo per trasportare, spingere o staccare dalla presa l'arnese elettrico. Tenere il filo lontano da calore, olio, bordi taglienti o parti mobili.** Fili danneggiati o aggrovigliati aumentano il rischio di shock elettrico.

e) **Quando si accende un arnese elettrico all'aperto, usare una prolunga adatta a tale uso.** Usare un filo adatto all'uso all'aperto ridurrà il rischio di shock elettrico.

f) **Se non è possibile evitare l'uso di un elettroutensile in ambiente umido, usare una rete di alimentazione protetta da un interruttore differenziale (salvavita).** L'uso di un salvavita riduce il rischio di scosse elettriche.

g) **Se vengono forniti dispositivi per la connessione dell'estrazione della polvere e attrezzature di raccolta, assicurarsi che questi siano collegati e usati correttamente.** L'uso di questi dispositivi può ridurre i rischi correlati alla polvere.

h) **Non lasciare che la confidenza acquisita dall'uso frequente induca l'utilizzatore ad assumere comportamenti imprudenti e a ignorare i principi di sicurezza per l'utensile.** Una semplice distrazione può provocare gravi lesioni personali in una frazione di secondo.

3) Sicurezza personale

a) **Stare vigili e attento quando si accende un arnese elettrico. Non usare un arnese elettrico mentre si è stanco o sotto l'effetto di droghe, alcool o medicinali.** Un momento di disattenzione mentre si accendono arnesi

elettrici può causare delle gravi lesioni personali.

b) **Usare dispositivi di protezione individuale.**

Indossare sempre una protezione per gli occhi.

Dispositivi di sicurezza come mascherina per la polvere, scarpe di sicurezza antiscivolo, casco, o protezioni per le orecchie usate nelle appropriate condizioni, ridurranno le lesioni personali.

c) **Prevenire l'avvio accidentale. Assicurarsi che l'interruttore sia spento prima di collegarsi.**

Trasportare elettroutensili tenendo il dito sull'interruttore di accensione o dare corrente ad elettroutensili con l'interruttore acceso può dare luogo a incidenti.

d) **Rimuovere ogni chiave regolatrice o chiave per dadi prima di accendere l'arnese elettrico.** Una chiave per dadi o una chiave lasciata attaccata ad una parte rotante dell'arnese elettrico può provocare lesioni personali.

e) **Cercare di mantenere l'equilibrio. Mantenere sempre un punto d'appoggio appropriato.**

Questo consente un controllo migliore dell'arnese elettrico in situazioni inaspettate.

f) **Vestirsi adeguatamente. Non indossare vestiti larghi o gioielli. Tenere lontano capelli, vestiti e guanti dalle parti mobili.** Vestiti larghi, gioielli o capelli lunghi possono essere presi nelle parti mobili.

g) **Se vengono forniti dispositivi per la connessione dell'estrazione della polvere e attrezzature di raccolta, assicurarsi che questi siano collegati e usati correttamente.** L'uso di questi dispositivi può ridurre i rischi correlati alla polvere.

h) **Non lasciare che la confidenza acquisita dall'uso frequente induca l'utilizzatore ad assumere comportamenti imprudenti e a ignorare i principi di sicurezza per l'utensile.** Una semplice distrazione può provocare gravi lesioni personali in una frazione di secondo.

4) Uso e manutenzione dell'arnese elettrico

a) **Non forzare l'arnese elettrico. Usare l'arnese elettrico corretto per il vostro impiego.** L'arnese elettrico corretto farà il lavoro meglio e in maniera più sicura alla velocità per la quale è stato progettato.

b) **Non usare l'arnese elettrico se l'interruttore non si accende o non si spegne.** Ogni arnese elettrico che non può essere controllato con l'interruttore è pericoloso e deve essere riparato.

c) **Scollegare la spina dalla sorgente di elettricità prima di fare qualsiasi regolazione, cambiare gli**

- accessori, o conservare arnesi elettrici.** Tali misure di sicurezza preventive riducono il rischio di accendere l'arnese elettrico accidentalmente.
- d) **Conservare gli arnesi elettrici inattivi fuori dalla portata dei bambini e non permettere a persone che non hanno confidenza con l'arnese elettrico o con queste istruzioni di usare l'arnese elettrico.** Gli arnesi elettrici sono pericolosi per utenti inesperti.
- e) **Mantenere gli arnesi elettrici. Controllare il non allineamento o l'attacco di parti mobili, la rottura di parti ed ogni altra condizione che può influire sul funzionamento degli arnesi elettrici. Se è danneggiato, far riparare l'arnese elettrico prima dell'uso.** Molti incidenti sono causati da arnesi elettrici mantenuti male.
- f) **Mantenere gli arnesi da taglio affilati e puliti.** È meno probabile che si attacchino degli arnesi da taglio mantenuti correttamente con tagli affilate e questi sono anche più facili da controllare.
- g) **Usare l'arnese elettrico, gli accessori e le parti dell'arnese ecc, secondo queste istruzioni e nel modo pensato per il particolare tipo di arnese elettrico, tenendo conto delle condizioni di lavoro e del lavoro da svolgere.** L'uso dell'arnese elettrico per operazioni diverse da quelle pensate potrebbe causare situazioni pericolose.
- h) **Mantenere le impugnature e le superfici di presa asciutte, pulite e libere da olio e grasso.** Impugnature e superfici di presa scivolose non consentono di maneggiare e controllare in sicurezza l'utensile in situazioni impreviste.
- 5) **Uso e manutenzione dell'utensile a batteria**
- a) **Ricaricare l'apparecchio esclusivamente con il caricabatterie specificato dal fabbricante.** Se si utilizza un caricabatterie di diverso tipo potrebbero verificarsi incendi.
- b) **Utilizzare gli utensili elettrici solo con i pacchi batterie appositamente prescritti.** L'uso di pacchi batterie di diverso tipo aumenta il rischio di infortunio o incendio.
- c) **Quando il pacco batterie non è in uso, tenerlo lontano da oggetti metallici quali fermagli, monete, chiavi, chiodi, viti o altri piccoli oggetti metallici che potrebbero mettere in collegamento i due poli.** Se i poli vengono messi in corto circuito, la batteria potrebbe emettere scintille o fiammate.
- d) **In condizioni di uso scorretto, la batteria potrebbe emettere liquido: evitare pertanto di entrarvi in contatto. In caso di contatto accidentale, risciacquare con acqua. Se il liquido entra a contatto con gli occhi, consultare immediatamente un medico.** Il liquido emesso dalla batteria può causare irritazioni o ustioni.
- e) **Non utilizzare un pacco batterie o l'utensile se danneggiati o manomessi.** Pacchi batterie danneggiati o manomessi potrebbero avere comportamenti imprevisti con il rischio di incendiarsi, esplodere o provocare lesioni a persone.
- f) **Non esporre un pacco batterie o l'utensile alle fiamme o a temperature eccessivamente elevate.** L'esposizione alle fiamme o a temperature superiori a 130 °C potrebbe provocare un'esplosione. NOTA: la temperatura di "130 °C" corrisponde a "265 °F".
- g) **Seguire tutte le istruzioni per la ricarica e non caricare il pacco batterie o l'utensile a temperature che non rientrino nell'intervallo specificato nelle istruzioni.** Se si effettua la ricarica in modo improprio o a temperature non comprese nell'intervallo specificato, il pacco batterie potrebbe subire danni e potrebbe aumentare il rischio di incendi.
- 6) **Riparazione**
- a) **L'assistenza per l'elettro utensile deve essere prestata da un tecnico qualificato che utilizzi soltanto ricambi originali.** In questo modo viene garantita la sicurezza dell'elettro utensile.
- b) **Non tentare di riparare pacchi batterie danneggiati.** La riparazione dei pacchi batteria deve essere effettuata esclusivamente dal produttore o presso centri di assistenza autorizzati.

AVVERTENZE DI SICUREZZA PER I SEGHETTI ALTERNATIVI

- **Avvertenza di radiazione laser.** Laser di classe 2, P max.: <1 mW, λ: 650 nm, EN 60825-1:2014. Non fissare direttamente il raggio laser o il rispettivo foro di uscita. Non dirigere il raggio laser verso persone, animali o superfici riflettenti. Anche un breve contatto con gli occhi può provocare danni alla vista. Esaminare il foro di uscita del laser con l'uso di strumenti ottici (come lenti di ingrandimento, ingranditori o simili) comporta rischi di lesioni agli occhi. Quando si lavora con laser di classe 2, rispettare le normative nazionali che prevedono di indossare delle protezioni oculari.
- **Quando si eseguono operazioni in cui l'accessorio da taglio potrebbe entrare in contatto con fili elettrici nascosti, tenerlo esclusivamente**

dalle superfici di presa isolate. Gli accessori da taglio che vengono a contatto con un cavo sotto tensione trasmettono la corrente elettrica anche alle parti metalliche esposte dell'elettrotensile, con il pericolo di provocare la folgorazione dell'operatore.

- **Tenere le mani lontane dalla zona di taglio.** Non sporgersi sotto il pezzo in lavorazione. Il contatto con la lama del seghetto può provocare lesioni personali.
- **Appoggiare la lama sul pezzo in lavorazione solo una volta acceso l'elettrotensile.** In caso contrario sussiste il pericolo di contraccolpo, se l'utensile da taglio si dovesse inceppare nel pezzo in lavorazione.
- **Prestare attenzione a che la piastra di base poggi saldamente sul materiale durante l'esecuzione del taglio.** Se la lama si inceppa può rompersi o provocare un contraccolpo.
- **Una volta terminata l'esecuzione del taglio, spegnere l'elettrotensile e, prima di estrarre la lama dal taglio eseguito, attendere che si sia arrestata completamente.** In questo modo è possibile evitare contraccolpi e appoggiare la macchina in sicurezza.
- **Usare esclusivamente lame integre, in perfette condizioni.** Lame deformate o non affilate possono rompersi, influenzare negativamente il taglio oppure causare un contraccolpo.
- **Dopo aver spento l'elettrotensile, non cercare di arrestare la lama esercitando una pressione laterale.** La lama può danneggiarsi, rompersi o provocare un contraccolpo.
- **Utilizzare rilevatori appropriati per stabilire se nell'area di lavoro sono presenti fili elettrici o tubature nascosti oppure telefonare all'azienda di erogazione locale per richiedere assistenza.** Un contatto accidentale con un filo elettrico può provocare un incendio e una scossa elettrica. Una tubatura del gas danneggiata può causare un'esplosione. La perforazione di una tubatura dell'acqua provoca danni materiali.
- **Fissare il pezzo in lavorazione.** Un pezzo bloccato con dispositivi di bloccaggio o in una morsa viene tenuto fermo più saldamente che con le mani.
- **Attendere sempre che l'elettrotensile si sia arrestato completamente prima di appoggiarlo.** L'utensile accessorio può incepparsi e portare alla perdita di controllo dell'elettrotensile.
- **Usare i morsetti o un altro mezzo pratico per fissare e puntellare il pezzo in lavorazione su**

una piattaforma stabile. Reggendo il pezzo in lavorazione in mano o premendolo contro il proprio corpo, esso rimane instabile e potrebbe verificarsi una perdita di controllo.

2. INFORMAZIONI RELATIVE ALL'ELETTROTENSILE

Uso previsto

Questo elettrotensile è destinato all'esecuzione di tagli di qualsiasi dimensione e forma in legno, materie plastiche, ceramica, gomma, ecc., mantenendo la piastra di base saldamente appoggiata sul pezzo in lavorazione. Usare sempre una lama idonea.

DATI TECNICI

Numero modello	JS501DC
Tensione di corrente	20V
Velocità in assenza di carico	0-2500/min
Corsa della sega	25mm
Max. capacità di segatura legno 0°	50mm
Max. capacità di segatura acciaio 0°	8mm
Peso	1,85 kg
L _{pa} (Livello pressione sonora)	82,0 dB(A), K=3dB(A)
L _{wa} (Livello di potenza sonora)	93,0 dB(A), K=3dB(A)
Vibrazioni "Segatura di lamiera"	5,459 m/s ² K=1,5 m/s ²
Vibrazioni "Segare compensato"	5,658 m/s ² K=1,5 m/s ²

Utilizzare esclusivamente le batterie seguenti della piattaforma di batterie da 20 V VONROC POWER. L'uso di batterie diverse potrebbe causare gravi lesioni personali o danni all'elettrotensile. Batteria agli ioni di litio da 20 V 2 Ah, CD801AA
Batteria agli ioni di litio da 20 V 4 Ah, CD803AA

Il caricabatterie seguente può essere usato per caricare queste batterie.
Caricabatterie rapido CD802AA

Le batterie della piattaforma di batterie da 20 V VONROC POWER sono intercambiabili con tutti gli elettrotensili con batterie della piattaforma da 20 V VONROC POWER.

Livello delle vibrazioni

Il livello di emissione delle vibrazioni indicato sul retro di questo manuale di istruzioni è stato misurato in conformità a un test standardizzato stabilito dalla norma EN 62841; questo valore può essere utilizzato per mettere a confronto un l'utensile con un altro o come valutazione preliminare di esposizione alla vibrazione quando si impiega l'utensile per le applicazioni menzionate

- se si utilizza l'utensile per applicazioni diverse, oppure con accessori differenti o in scarse condizioni, il livello di esposizione potrebbe aumentare notevolmente
- i momenti in cui l'utensile è spento oppure è in funzione ma non viene effettivamente utilizzato per il lavoro, possono contribuire a ridurre il livello di esposizione

Protegersi dagli effetti della vibrazione effettuando la manutenzione dell'utensile e dei relativi accessori, mantenendo le mani calde e organizzando i metodi di lavoro.

DESCRIZIONE

I numeri che compaiono nel testo si riferiscono agli schemi riportati alle pagine 2-3.

1. Pulsante di sicurezza
2. Interruttore di accensione/spengimento
3. Impugnatura
4. Batteria (non fornita)
5. Pulsante di sblocco batteria
6. Selettore del movimento pendolare
7. Scala per angolo di taglio inclinato
8. Coperchio della piastra di base
9. Piastra di base
10. Rullo guida
11. Interruttore laser
12. Carter di protezione
13. Leva di bloccaggio
14. Bulloni ad alette per guida parallela
15. Chiave a brugola
16. Mandrino
17. Lama del seghetto
18. Bullone piastra di base
19. Guida parallela
20. Laser
21. Marcatura di taglio
22. Vite di regolazione raggio laser

3. MONTAGGIO



Prima di compiere qualsiasi intervento sull'elettroutensile rimuovere la batteria.



Prima del primo utilizzo la batteria deve essere caricata.

Inserimento della batteria nell'elettroutensile (Fig. A, G)



Assicurarsi che la batteria sia pulita esternamente prima di collegarla al caricabatterie o all'elettroutensile.

1. Inserire la batteria (4) nella base dell'elettroutensile, come illustrato nella Figura F.
2. Spingere in avanti la batteria finché scatta in posizione con un clic.

Rimozione della batteria dall'elettroutensile (Fig. A, G)

1. Premere i pulsanti di sblocco della batteria (5)
2. Estrarre la batteria dall'elettroutensile, come illustrato nella Fig. G.

Sostituzione della lama (Fig. A e C)



Per installare la lama indossare guanti di protezione. Pericolo di lesioni personali in caso di contatto con la lama della sega.



Utilizzare esclusivamente lame che corrispondano alle caratteristiche riportate nelle istruzioni per l'uso.

Installazione della lama



Assicurarsi che il portalama sia libero da residui di materiale (come schegge di legno o di metallo).

1. Ruotare la leva di bloccaggio lama (13) il più possibile verso sinistra e mantenerla in quella posizione.
2. Inserire la lama nel mandrino (16). Verificare che la lama sia fissata saldamente e che i denti siano rivolti verso il basso.
3. Lasciare la leva di bloccaggio lama. Controllare che la lama sia bloccata in posizione.

Assicurarsi di utilizzare la lama idonea per il materiale da tagliare. In dotazione con la sega viene fornita una lama da legno per tagli grossolani e una lama da metalli e materiali plastici per tagli fini.

Rimozione della lama

1. Ruotare la leva di bloccaggio lama (13) il più possibile verso sinistra e mantenerla in quella posizione.
2. Rimuovere la lama dal mandrino (16).
3. Lasciare la leva di bloccaggio lama.

Fissaggio della guida parallela (Fig. D)

1. Allentare i bulloni ad alette (14).
2. Fissare la guida parallela (19) sulla piastra di base (9).
3. Regolare la profondità di tagli desiderata utilizzando la scala sulla guida parallela (14) e la marcatura di taglio sulla piastra di base (20). La marcatura di taglio (20) indica la posizione della lama.
4. Serrare i bulloni ad alette (14).

4. FUNZIONAMENTO

Accensione e spegnimento dell'elettrotensile (Fig. A)

- Per accendere l'elettrotensile tenere premuto il pulsante di sicurezza (1), quindi premere l'interruttore di accensione/spegnimento (2).
- L'ulteriore pressione dell'interruttore di accensione/spegnimento (2) provocherà un'accelerazione del movimento della lama. La velocità richiesta dipende dal materiale e può essere stabilita con una prova pratica.
- Per arrestare l'elettrotensile rilasciare l'interruttore di accensione/spegnimento (2).

Accensione e spegnimento del laser (Fig. A)

- Premere l'interruttore del laser (11) per accendere/spegnere il raggio laser. L'interruttore del laser (11) accende anche la luce di lavoro a LED.

Regolazione fine del laser

Nota: per testare la funzione laser è necessario che la batteria sia inserita nell'elettrotensile.



Durante la regolazione del laser non azionare mai l'interruttore di accensione/spegnimento. L'avvio accidentale dell'elettrotensile può provocare lesioni personali.

Se il laser (11) cessa di indicare la linea di taglio corretta è possibile ripetere la regolazione. A tale scopo, registrare la vite di regolazione laser (22) e regolare il raggio laser finché indica una linea di taglio corretta.

Regolazione dell'angolo di taglio inclinato (Fig. B e F)

1. Allentare il bullone (18) con la chiave a brugola (15) in dotazione.
2. Regolare la piastra di base (9) nella posizione desiderata (0°- 45°). Il corrispondente angolo di taglio inclinato può essere letto sulla scala (7).
3. Serrare il bullone (18) con la chiave a brugola (15) in dotazione. La chiave a brugola può essere conservata sulla macchina, come illustrato nella Fig. B.

Regolazione del movimento pendolare (Fig. A)

L'interruttore del movimento pendolare viene usato per stabilire il modo in cui i denti della lama fanno presa sul materiale.

Il selettore del movimento pendolare può essere regolato in 4 posizioni:

- 0 - Nessun movimento pendolare
- 1 - Movimento pendolare ridotto
- 2 - Movimento pendolare medio
- 3 - Movimento pendolare elevato

Il movimento pendolare richiesto può essere stabilito con una prova pratica, tuttavia è possibile attenersi alle indicazioni seguenti:

- Materiale morbido (legno, materiale plastico, ecc.): utilizzare il movimento pendolare al livello II o III. Per ottenere un taglio più fine e più pulito utilizzare il movimento pendolare al livello 0 o I.
- Materiale di spessore ridotto: utilizzare il movimento pendolare al livello 0.
- Materiale duro (acciaio, ecc.): utilizzare il movimento pendolare al livello 0.
- Curve: utilizzare il movimento pendolare al livello 0.

Taglio a tuffo (Fig. H)

Il taglio a tuffo può essere utilizzato solo su materiali morbidi come legno, calcestruzzo aerato, cartoni in pietra da gesso, ecc.

Tuttavia, questo richiede un certo esercizio ed è possibile solamente con lame di sega corte.

1. Posizionare la sega sul pezzo da lavorare e accenderla.
2. Assicurarsi che l'estremità inferiore della piastra di base sia appoggiata sulla superficie del

pezzo da lavorare come indicato.

3. Segare lentamente il pezzo da lavorare ad un'angolazione, spostando la sega in posizione verticale e continuando a segare lungo la linea di taglio.
4. Spegnerla la sega e sollevare il pezzo da lavorare quando il lavoro è completato.

Suggerimenti per un uso ottimale

- Bloccare il pezzo in lavorazione. Utilizzare un dispositivo di bloccaggio per eseguire tagli su piccoli pezzi.
- Tracciare una linea per definire la direzione in cui muovere la lama.
- Tenere saldamente l'elettrotensile mediante l'impugnatura.
- Impostare la velocità di segatura.
- Impostare l'angolo di quartabuono.
- Impostare la posizione pendolare.
- Accendere l'elettrotensile.
- Attendere finché l'elettrotensile non ha raggiunto la massima velocità.
- Posizionare la scarpa della sega sul pezzo in lavorazione.
- Muovere lentamente l'elettrotensile lungo la linea tracciata precedentemente, premendo saldamente la scarpa della sega contro il pezzo in lavorazione.
- Non esercitare una pressione eccessiva sull'elettrotensile. Lasciare che l'elettrotensile effettui il lavoro di taglio.
- Prima di appoggiare l'elettrotensile, spegnerlo e attendere che si arresti completamente.

5. MANUTENZIONE



Prima di eseguire qualsiasi operazione di pulizia e intervento di manutenzione spegnere sempre l'elettrotensile e rimuovere la batteria dall'elettrotensile.

Pulire regolarmente il corpo dell'elettrotensile con un panno morbido, preferibilmente dopo ogni uso. Assicurarsi che le prese d'aria siano libere da polvere e sporczia. Rimuovere lo sporco particolarmente ostinato con un panno morbido inumidito con acqua e sapone. Non utilizzare solventi come benzina, alcol, ammoniaca, ecc. Le sostanze chimiche di questo tipo danneggiano i componenti sintetici.

AMBIENTE



Le apparecchiature elettriche o elettroniche difettose e/o scartate devono essere raccolte presso gli opportuni siti di riciclaggio.

Solo per i Paesi CE

Non smaltire gli elettrodomestici insieme ai rifiuti domestici. Secondo la Direttiva europea 2012/19/EC sui rifiuti delle apparecchiature elettriche ed elettroniche e relativa implementazione nelle normative locali, gli elettrodomestici ormai inutilizzabili devono essere raccolti separatamente e smaltiti in modo ecologico.

DEFINIZIONI DELLA GARANZIA

I prodotti VONROC sono sviluppati secondo i più elevati standard di qualità e viene garantita l'assenza di difetti nei materiali e nella manodopera per il periodo contrattuale a partire dalla data di acquisto originale. Qualora il prodotto dovesse subire un guasto qualsiasi durante questo periodo a causa di difetti nei materiali e/o nella manodopera, si prega di contattare direttamente il VONROC.

Le seguenti circostanze sono escluse da questa garanzia:

- Riparazioni e/o modifiche alla macchina sono state eseguite o tentate da centri di assistenza non autorizzati.
- Normale usura.
- L'utensile è stato abusato, utilizzato o manutenu- to in modo improprio.
- Sono state utilizzate parti di ricambio non originali

Ciò costituisce l'unica garanzia espressa o implicita fornita dall'azienda. Non esistono altre garanzie espresse o implicite che si estendono oltre il presente documento, ivi comprese le garanzie implicite di commerciabilità e idoneità per uno scopo particolare. In nessun caso VONROC sarà responsabile di eventuali danni incidentali o consequenziali. I rimedi dei rivenditori saranno limitati alla riparazione o sostituzione di unità o parti non conformi.

Il prodotto e il manuale per l'utente sono soggetti a modifiche. I dati tecnici possono essere modificati senza ulteriore notifica.

1. INSTRUKCJE DOTYCZĄCE

Przeczytać dołączone ostrzeżenia dotyczące bezpieczeństwa, dodatkowe ostrzeżenia dotyczące bezpieczeństwa oraz instrukcje. Nieprzestrzeganie ostrzeżeń dotyczących bezpieczeństwa oraz instrukcji może prowadzić do porażenia prądem, pożaru i/lub poważnych obrażeń ciała. Zachować ostrzeżenia dotyczące bezpieczeństwa oraz instrukcje na przyszłość.

Następujące symbole są umieszczone w instrukcji obsługi lub na produkcie:



Przeczytać instrukcję obsługi.



Oznacza ryzyko obrażeń ciała, śmierci lub uszkodzenia narzędzia w razie nieprzestrzegania poleceń z instrukcji.



Osoby postronne, zwłaszcza dzieci, oraz zwierzęta powinny się znajdować w odległości większej niż 10 metrów od maszyny.



Korzystać ze środków ochrony wzroku.



Korzystać ze środków ochrony słuchu.



Noś maskę przeciwpyłową



Obszar niebezpieczny! Trzymać dłonie z dala (10 cm) od obszaru cięcia podczas pracy maszyny. Ryzyko obrażeń ciała w wyniku zetknięcia się z brzeszczotem.



Ostrzeżenie przed promieniowaniem laserowym



Produkt spełnia wymogi odpowiednich norm bezpieczeństwa podanych w dyrektywach UE.

OGÓLNE ZALECENIA DOTYCZĄCE BEZPIECZEŃSTWA



UWAGA! Przeczytać wszystkie ostrzeżenia dotyczące bezpieczeństwa i wszystkie instrukcje. Nieprzestrzeganie wszystkich poniższych instrukcji może być przyczyną porażenia prądem, pożaru i/lub poważnych obrażeń.

Zachowaj poniższe instrukcje.

Termin „elektronarzędzia akumulatorowe” we wszystkich ostrzeżeniach zamieszczonych poniżej odnosi się do elektronarzędzi akumulatorowych zasilanych sieciowo (przewodowych) lub elektronarzędzi akumulatorowych działających na baterie (beprzewodowych).

1) Obszar roboczy

- Obszar roboczy należy utrzymywać w czystości.** Powinien on być dobrze oświetlony. Nieład i złe oświetlenie mogą z łatwością doprowadzić do wypadku.
- Nie korzystaj z elektronarzędzi akumulatorowych w warunkach, w których łatwo może dojść do wybuchu, np. w obecności łatwopalnych cieczy, gazów lub pyłu.** Podczas pracy elektronarzędzi akumulatorowych powstają iskry, które mogą doprowadzić do zapłonu pyłu lub oparów.
- Dzieci i inne osoby postronne powinny pozostać w bezpiecznej odległości od pracującego urządzenia.** Rozproszenie uwagi może spowodować utratę kontroli nad urządzeniem.

2) Bezpieczeństwo związane z elektrycznością

- Wtyczki elektronarzędzi akumulatorowych muszą być odpowiednie do danego gniazda. Pod żadnym pozorem nie należy modyfikować wtyczki w jakikolwiek sposób. Nie należy używać adapterów, które uziemiają elektronarzędzia akumulatorowe.** Stosowanie wtyczek nie poddanych modyfikacjom oraz odpowiednich gniazd zmniejsza ryzyko porażenia prądem.
- Należy unikać bezpośredniego kontaktu fizycznego z powierzchniami uziemionymi, takimi jak rury, grzejniki, kuchenki, lodówki.** Ryzyko porażenia prądem jest większe, jeśli ciało osoby obsługującej urządzenie jest uziemione.
- Nie należy wystawiać elektronarzędzi akumulatorowych na działanie deszczu lub wilgoci.** Dostanie się wody do wnętrza elektronarzędzia akumulatorowego zwiększy ryzyko porażenia prądem.
- Nie należy używać przewodu w niewłaściwy sposób. Pod żadnym pozorem nie należy wykorzystywać przewodu do przenoszenia lub ciągnięcia elektronarzędzia akumulatorowego, ani do jego odłączania od sieci. Przewodu nie należy wystawiać na działanie ciepła, smarów. Powinien on znajdować się w bezpiecznej odle-**

- głości od ostrych krawędzi i części ruchomych.** Przewody uszkodzone lub poplątane zwiększają ryzyko porażenia prądem.
- e) **Podczas korzystania z elektronarzędzia akumulatorowego na wolnym powietrzu, należy używać przewodu przedłużacza przystosowanego do użytku na zewnątrz.** Używanie przewodu nadającego się do użytku na wolnym powietrzu zmniejsza ryzyko porażenia prądem.
- f) **Jeśli obsługa elektronarzędzia w wilgotnym miejscu jest nieunikniona, użyć zasilania wyposażonego w wyłącznik różnicowo-prądowy.** Użycie wyłącznika różnicowo-prądowego zmniejsza ryzyko porażenia prądem.
- 3) Bezpieczeństwo osoby obsługującej urządzenie**
- a) **Przez cały czas należy mieć się na baczności, uważać na to, co się robi, a w czasie obsługi elektronarzędzia akumulatorowego postępować mając na uwadze zdrowy rozsądek.** Urządzenie nie powinny obsługiwać osoby zmęczone lub będące pod wpływem narkotyków, alkoholu lub leków. Chwila nieuwagi w czasie obsługi elektronarzędzi akumulatorowych może być przyczyną powstania poważnych obrażeń ciała.
- b) **Należy korzystać ze sprzętu ochronnego oraz zawsze nosić okulary ochronne.** Sprzęt ochronny, jak na przykład maska przeciwpyłowa, antypoślizgowe obuwie ochronne, kask lub słuchawki ochronne używany we właściwych sytuacjach pozwoli na zmniejszenie ryzyka obrażeń ciała.
- c) **Unikać niezamierzonego uruchomienia. Przed podłączeniem urządzenia do sieci, zawsze sprawdzić, czy przełącznik znajduje się w pozycji „wyłączony”.** Przenoszenie elektronarzędzi z palcem na przełączniku lub włączonych elektronarzędzi z przełącznikiem w położeniu włączenia jest bardzo niebezpieczne i może powodować wypadki.
- d) **Przed włączeniem elektronarzędzia akumulatorowego należy usunąć z niego wszystkie klucze nastawcze lub maszynowe.** Pozostawienie klucza zamocowanego na jednej z części obrotowych urządzenia może spowodować powstanie obrażeń ciała.
- e) **Nie należy sięgać ponad urządzeniem. Przez cały czas należy zachować odpowiednią równowagę i zapewnić odpowiednie oparcie dla stóp.** Pozwoli to na lepsze kontrolowanie urządzenia w nieoczekiwanych sytuacjach.
- f) **Należy nosić odpowiednie ubranie. Do pracy z urządzeniem nie wkładać luźnych ubrań ani biżuterii. Włosy, ubranie i rękawiczki trzymać z dala od części ruchomych.** Luźne części ubrania, biżuteria lub długie włosy mogą zostać wciągnięte przez części ruchome.
- g) **Jeśli w urządzeniu przewidziano elementy służące do odprowadzania i zbierania pyłu, należy sprawdzić, czy są podłączone, i czy działają we właściwy sposób.** Korzystanie z tego typu elementów pozwala ograniczyć ryzyko związane z wydzielaniem pyłu podczas pracy urządzenia.
- h) **Nie zezwalać na to, aby rutyna związana z częstym korzystaniem z narzędzi powodowała nadmierną pewność siebie i ignorowanie zasad bezpiecznego korzystania z narzędzi.** Nieodpowiedzialne działanie może spowodować poważne obrażenia ciała w ułamku sekundy.
- 4) Obsługa i konserwacja elektronarzędzi akumulatorowych**
- a) **Urządzenia nie należy przeciążać. Należy korzystać z narzędzia odpowiedniego do danego typu pracy.** Odpowiednio dobrane urządzenie pozwoli na lepsze i bezpieczniejsze wykonanie pracy, we właściwym dla urządzenia tempie.
- b) **Z elektronarzędzia akumulatorowego nie należy korzystać, jeśli nie można go włączyć i wyłączyć przy pomocy przełącznika.** Urządzenie, którego nie można kontrolować używając przełącznika jest niebezpieczne i powinno być oddane do naprawy.
- c) **Przed przystąpieniem do regulowania elektronarzędzi akumulatorowych, wymiany akcesoriów lub przygotowywania urządzeń do okresu przechowywania, należy odłączyć wtyczkę od źródła zasilania.** Tego typu środki ostrożności zmniejszają ryzyko przypadkowego uruchomienia urządzenia.
- d) **Nieczynne elektronarzędzia akumulatorowe należy przechowywać poza zasięgiem dzieci. Nie należy pozwolić, aby osoby nie znające urządzenia lub niniejszych instrukcji obsługiwały urządzenie.** Elektronarzędzia akumulatorowe w rękach niekompetentnych użytkowników stanowią zagrożenie.
- e) **Elektronarzędzia akumulatorowe należy utrzymywać w dobrym stanie technicznym. Należy sprawdzać, czy części ruchome są właściwie założone, i czy się nie zacinają. Należy również sprawdzać, czy jakieś części nie są uszkodzone**

- oraz sprawdzać wszelkie inne elementy, które mogą wpłynąć na pracę urządzeń. Jeśli urządzenie jest uszkodzone, przed wystąpieniem do jego użytkowania, należy je naprawić. Częstoą przyczyną wypadków jest zły stan techniczny urządzeń.
- f) **Narzędzia służące do cięcia powinny być naostrzone i utrzymywane w czystości.** Jeśli narzędzia służące do cięcia, które posiadają ostre krawędzie tnące, są właściwie konserwowane, istnieje mniejsze prawdopodobieństwo ich zacinania się. Ponadto, łatwiej je kontrolować.
- g) **Elektronarzędzia akumulatorowego, akcesoriów, nakładek, itp. należy używać zgodnie z niniejszymi instrukcjami oraz w sposób właściwy dla danego rodzaju urządzenia, z uwzględnieniem warunków pracy oraz jej rodzaju.** Używanie urządzenia niezgodnie z przeznaczeniem może prowadzić do powstania sytuacji niebezpiecznych.
- h) **Uchwyty należy utrzymywać w stanie suchym, czystym i niezabrudzonym olejem lub smarem.** Śliskie uchwyty i powierzchnie do chwytania nie pozwalają na bezpieczne obchodzenie się z narzędziem i panowanie nad nim w nieoczekiwanych sytuacjach.
- 5) **Użytkowanie i konserwacja urządzenia zasilanego akumulatorami**
- a) **Ładować tylko przy użyciu ładowarki określonej przez producenta.** Ładowarka przewidziana dla jednego rodzaju akumulatorów stwarza ryzyko pożaru w przypadku użycia jej z innym zestawem akumulatorów.
- b) **Należy używać jedynie akumulatorów przeznaczonych dla danego urządzenia.** Użycie innych akumulatorów stwarza ryzyko wystąpienia obrażeń ciała lub pożaru.
- c) **Kiedy akumulatorki nie są używane, należy przechowywać je z dala od przedmiotów metalowych, takich jak spinacze do papieru, monety, klucze, gwoździe, śruby lub inne niewielkie przedmioty metalowe, które mogłyby spowodować zwarcie pomiędzy stykami.** Zwarcie styków akumulatorka może spowodować pożar.
- d) **W przypadku przeciążenia z akumulatorka może wycieknąć płyn; nie należy go dotykać. W razie przypadkowego kontaktu przemyć skórę wodą. W przypadku dostania się płynu do oczu należy skontaktować się z lekarzem.** Płyn z akumulatorka może powodować podrażnienia lub oparzenia.
- e) **Nie używać uszkodzonego ani zmodyfikowanego akumulatora lub narzędzia.** Uszkodzone lub zmodyfikowane akumulatory mogą działać w sposób nieoczekiwany, co może powodować pożar, wybuch lub ryzyko obrażeń ciała.
- f) **Nie wystawiać akumulatora ani narzędzia na działanie płomienia lub zbyt wysokiej temperatury.** Narażenie na działanie płomienia lub temperatury powyżej 130°C może spowodować wybuch.
UWAGA Temperaturę „130 °C“ można zastąpić temperaturą „265 °F“.
- g) **Przestrzegać wszystkich instrukcji ładowania i nie ładować akumulatora ani narzędzia poza zakresem temperatury podanym w instrukcji.** Nieprawidłowe ładowanie lub ładowanie w temperaturze poza podanym zakresem może spowodować uszkodzenie akumulatora i zwiększyć ryzyko pożaru.
- 6) **Serwis**
- a) **Zlecać serwisowanie elektronarzędzie wykwalifikowanemu technikowi stosującymi jedynie części zamienne identyczne z oryginalnymi.** Zapewni to zachowanie bezpieczeństwa elektronarzędzia.
- b) **Nigdy nie serwisować uszkodzonych akumulatorów.** Serwisowanie akumulatorów może przeprowadzać wyłącznie producent lub autoryzowany serwis.

OSTRZEŻENIA DOTYCZĄCE BEZPIECZEŃSTWA DLA WYRZYNAREK WAHADŁOWYCH

- **Ostrzeżenie przed promieniowaniem laserowym.** Laser klasy 2, P maks.: <1 mW, λ: 650 nm, EN 60825-1:2014. Nie patrzeć bezpośrednio w wiązkę lasera ani w otwór, przez który jest emitowana. Nigdy nie kierować lasera na ludzi, zwierzęta lub powierzchnie odbijające światło. Nawet krótka styczność z okiem może powodować uszkodzenie wzroku. Badanie otworu, przez który emitowana jest wiązka z użyciem przyrządów optycznych (np. szkła powiększającego itp.) niesie ryzyko uszkodzenia wzroku. Podczas pracy laserem klasy 2 przestrzegać przepisów krajowych dotyczących korzystania z ochrony wzroku.
- **Trzymać elektronarzędzie tylko za izolowane powierzchnie do chwytania podczas wykonywania prac, podczas których akcesorium tnące może zetknąć się z ukrytym okablowaniem.** Zetknięcie się osprzętu tnącego z przewodem

pod napięciem może sprawić, że odsłonięte metalowe części narzędzia również będą pod napięciem i spowodować porażenie operatora prądem.

- **Trzymać dłonie z dala od zakresu pracy brzeszczota.** Nie sięgać pod obrabiany element. Kontakt z brzeszczotem może prowadzić do obrażeń ciała.
- **Przykładać maszynę do obrabianego elementu tylko wtedy, gdy jest włączona.** W przeciwnym razie istnieje ryzyko odrzucenia maszyny po utknięciu brzeszczota w obrabianym elemencie.
- **Uważać, aby płyta podstawy spoczywała pewnie na materiale podczas piłowania.** Zablockowany brzeszczot może pęknąć lub spowodować odskoczenie narzędzia.
- **Po zakończeniu piłowania wyłączyć maszynę, a następnie wyjąć brzeszczot z cięcia, dopiero gdy się zatrzyma.** W ten sposób można uniknąć odrzutu i bezpiecznie odłożyć maszynę.
- **Używać wyłącznie nieuszkodzonych brzeszczotów w idealnym stanie.** Zgięte lub stępione brzeszczoty mogą pękać, negatywnie wpływać na jakość cięcia lub prowadzić do odrzutu.
- **Nie hamować brzeszczota do zatrzymania poprzez naciskanie na brzeszczot z boku po wyłączeniu.** Brzeszczot może ulec uszkodzeniu, pęknąć lub spowodować odrzut.
- **Użyć odpowiednich detektorów do sprawdzenia, czy w miejscu pracy nie znajdują się ukryte kable elektryczne/rury wodne/gazowe lub skontaktować się z lokalnym dostawcą energii/wody/gazu w celu uzyskania pomocy.** Kontakt z kablem elektrycznym może prowadzić do pożaru i porażenia prądem. Uszkodzenie rury z gazem może prowadzić do wybuchu. Przebicie rury z wodą spowoduje uszkodzenie mienia.
- **Zamocować obrabiany element.** Obrabiany element zaciśnięty zaciskami lub w imadle jest zamocowany mocniej niż trzymany ręką.
- **Przed odłożeniem maszyny zawsze poczekać na jej całkowite zatrzymanie.** Końcówka narzędziowa może utknąć i doprowadzić do utraty panowania nad elektronarzędziem.
- **Użyć zacisków lub innego praktycznego sposobu do przymocowania obrabianego elementu do stabilnego podłoża i jego podparcia.** Trzymanie obrabianego elementu ręką lub opieranie go o ciało powoduje jego niestabilność, co może prowadzić do utraty panowania nad narzędziem.

2. INFORMACJE O MASZYNIE

Przeznaczenie

Maszyna jest przeznaczona do wycinania drewna, metalu, tworzyw sztucznych, ceramiki, gumy itp. w dowolny wybrany kształt i w dowolnym rozmiarze. Podczas wycinania płyta podstawy musi spoczywać na obrabianym elemencie. Należy zawsze używać właściwego brzeszczota.

DANE TECHNICZNE

Nr modelu	JS501DC
Napięcie znamionowe	20V
Obroty bez obciążenia	0-2500/min
Skok piły	25 mm
Maks. głębokość piłowania drewna	50 mm
Maks. głębokość piłowania stali	8 mm
Ciężar	1.85 kg
LpA (Ciśnienie akustyczne)	82.0 dB(A), K=3dB(A)
LwA (Moc akustyczna)	93.0 dB(A), K=3dB(A)
Drgania „piłowanie blachy”	5.459 m/s ² K=1.5 m/s ²
Drgania „piłowanie sklejek”	5.658 m/s ² K=1.5 m/s ²

Akumulatory należące do platformy VONROC POWER 20 V można stosować we wszystkich narzędziach z platformy VONROC POWER 20 V.
 CD801AA 20V, 2Ah Litowo-jonowy
 CD803AA 20V, 4Ah Litowo-jonowy

Następującej ładowarki można używać do ładowania tych akumulatorów.
 CD802AA Szybka ładowarka

Akumulatory należące do platformy VONROC POWER 20 V można stosować we wszystkich narzędziach z platformy VONROC POWER 20 V.

Poziom drgań

Poziom emisji drgań podany w tej instrukcji obsługi został zmierzony zgodnie ze standaryzowanym testem podanym w normie EN 62841; może on służyć do porównywania narzędzi ze sobą oraz do wstępnego oszacowania ekspozycji na drgania podczas użytkowania narzędzia do podanych zastosowań.

- używanie narzędzia do innych zastosowań lub z innymi lub źle konserwowanymi akcesoriami może znacząco zwiększać poziom ekspozycji
- okresy, gdy narzędzie jest wyłączone lub okresy, gdy jest włączone, ale nie pracuje, mogą znacząco zmniejszać poziom ekspozycji

Chronić się przed wpływem drgań, konserwując odpowiednio narzędzie i akcesoria, utrzymując ciepłotę dłoni oraz odpowiednio organizując pracę.

OPIS

Liczby w tekście odnoszą się do rysunków na Stronach 2-3

1. Przycisk wyłączenia blokady
2. Włącznik
3. Uchwyt
4. Akumulator (nie dołączony)
5. Przycisk odblokowania akumulatora
6. Przełącznik trybu wahadłowego
7. Podziałka kąta cięcia ukośnego wzdłużnego
8. Pokrywa płyty podstawy
9. Płyta podstawy
10. Rolka prowadząca
11. Włącznik lasera
12. Osłona
13. Dźwignia zaciskająca
14. Śruba motylkowa prowadnicy równoległej
15. Klucz imbusowy
16. Uchwyt
17. Tarcza
18. Śruba płyty podstawy
19. Prowadnica równoległa
20. Laser
21. Oznaczenie cięcia
22. Śruba regulacji lasera

3. MONTAŻ



Przed rozpoczęciem jakichkolwiek prac dotyczących elektronarzędzia, wyjąć akumulator.



Zawsze wyjmować akumulator przed zamocowaniem akcesorium

Wkładanie akumulatora do narzędzia (Rys. A, G)



Dopilnować, aby zewnętrzna powierzchnia akumulatora była czysta i sucha przed podłączeniem do ładowarki lub narzędzia.

1. Włożyć akumulator (4) w podstawę narzędzia, zgodnie z Rys. G.
2. Wcisnąć akumulator dalej, aż zatrzaśnie się w poprawnym położeniu.

Wymowanie akumulatora z narzędzia (Rys. A, G)

1. Wcisnąć przyciski odblokowania akumulatora (5).
2. Wyjąć akumulator z narzędzia zgodnie z Rys. G

Wymiana tarczy (rys. A, C)



Podczas montażu tarczy nosić rękawice ochronne. Ryzyko obrażeń ciała w wyniku dotknięcia tarczy pilarki.



Używać wyłącznie tarcz zgodnych z danymi technicznymi podanymi w instrukcji.

Montaż brzeszczota



Dopilnować, aby uchwyt brzeszczota był wolny od resztek materiału (np. drewnianych lub metalowych wiórów)

1. Obrócić dźwignię zaciskającą (13) do oporu w lewo i zatrzymać ją w tym położeniu.
2. Włożyć brzeszczot w uchwyt (16). Sprawdzić, czy brzeszczot jest mocno zamocowany i jego zęby są skierowane w kierunku cięcia.
3. Puścić dźwignię zaciskającą. Sprawdzić, czy tył brzeszczota jest umieszczony pośrodku rolki prowadzącej (10).

Dopilnować stosowania brzeszczota dopasowanego do obrabianego materiału. Do maszyny dołączony jest brzeszczot do drewna z dużymi zębami i brzeszczot do metalu i tworzyw sztucznych z małymi zębami.

Zdejmowanie brzeszczota

1. Obrócić dźwignię zaciskającą (13) do oporu w lewo i zatrzymać ją w tym położeniu.
2. Wyjąć brzeszczot z uchwytu (16).
3. Puść pierścieni zaciskający

Montaż prowadnicy równoległej (rys. D)

1. Poluzować śruby motylkowe (14).
2. Zamontować prowadnicę równoległą (19) na płycie podstawy (9).
3. Ustawić żądaną szerokość cięcia z użyciem podziałki na prowadnicy równoległej (14) i oznaczenia cięcia na płycie podstawy (20).

Oznaczenie cięcia (20) oznacza położenie brzeszczota.

4. Dokręcić śrubę motylkową (14).

4. OBSLUGA

Włączanie i wyłączenie narzędzia (rys. A)

Włącznik (2) służy do włączania narzędzia i regulacji prędkości.

- Aby włączyć maszynę, wcisnąć i przytrzymać przycisk wyłączenia blokady (1) i wcisnąć włącznik (2).
- Im dalej włącznik (2) jest wciśnięty, tym szybciej porusza się brzeszczot. Wymagana prędkość zależy od materiału i można ją stwierdzić, wykonując testy praktyczne.
- Aby zatrzymać maszynę, zwolnić włącznik (2).

Włączanie i wyłączenie lasera (rys. A)

- Wcisnąć włącznik lasera (11), aby włączyć lub wyłączyć laser. Włącznik lasera (11) włącza również światło robocze LED.

Precyzyjna regulacja lasera

Uwaga: Przetestowanie funkcji lasera wymaga włożenia baterii do elektronarzędzia.



Podczas regulacji lasera nigdy nie używać włącznika. Przypadkowe uruchomienie elektronarzędzia może prowadzić do obrażeń ciała.

Jeśli laser (11) przestanie pokazywać prawidłową linię cięcia, można go wyregulować. W tym celu obracać śrubę regulacji lasera (22) i ustawiać laser, aż będzie wskazywać prawidłową linię cięcia.

Regulacja kąta cięcia skośnego (rys. B, F)

1. Poluzować śrubę (18) kluczem imbusowym (15).
2. Przetawić płytę podstawy (9) w żądane położenie (0°- 45°). Kąt piłowania (cięcia skośnego) można odczytać na podziałce (7).
3. Dokręcić śrubę (7) kluczem imbusowym (15). Klucz imbusowy można przechowywać na maszynie zgodnie z rys. B.

Regulacja ruchu wahadłowego (rys. A)

Włącznik ruchu wahadłowego służy do regulacji sposobu, w jaki zęby brzeszczota wgrzają się w materiał.

Przełącznik ruchu wahadłowego można ustawić na jedno z 4 położzeń:

- 0 - Brak ruchu wahadłowego
- 1 - Niewielki ruch wahadłowy
- 2 - Średni ruch wahadłowy
- 3 - Duży ruch wahadłowy

Wymagane ustawienie ruchu wahadłowego można stwierdzić w praktyce, ale zalecamy przestrzeganie poniższych zaleceń:

- Miękki materiał (drewno, tworzywo sztuczne itp.): ustawić ruch wahadłowy na II lub III. Aby uzyskać bardziej precyzyjne i czyste cięcie, użyć ustawienia ruchu wahadłowego 0 lub I.
- Do cienkich materiałów użyć ustawienia ruchu wahadłowego 0.
- Twarde materiały (stal itp.): ustawić ruch wahadłowy na 0.
- Krzywe: ustawić ruch wahadłowy na 0.

Piłowanie wglębne (rys. H)

Piłowanie wglębne można stosować wyłącznie do materiałów miękkich, jak drewno, gazobeton, płyta gipsowo-kartonowa itp. Wymaga to jednak pewnej wprawy i jest możliwe wyłącznie w połączeniu z krótkimi brzeszczotami.

1. Umieścić piłę na obrabianym przedmiocie i włączyć ją.
2. Dopilnować, aby dolna krawędź płyty podstawy spoczywała na powierzchni obrabianego elementu zgodnie z rysunkiem H.
3. Powoli wcinać się piłą w obrabiany element pod kątem, przesuwając piłę do położenia pionowego, a następnie piłować dalej wzdłuż linii cięcia.
4. Wyłączyć piłę i unieść ją z obrabianego elementu po zakończeniu pracy.

Optymalne stosowanie

- Zaciśnąć obrabiany element. Używać urządzenia ściskającego (np. imadła) do małych obrabianych przedmiotów.
- Narysować linię, aby określić kierunek prowadzenia brzeszczota.
- Mocno trzymać maszynę za uchwyt.
- Ustawić prędkość piłowania.
- Ustawić kąt cięcia skośnego.
- Włączyć maszynę.
- Poczekać, aż maszyna osiągnie maksymalne obroty.
- Przyłożyć stopę narzędzia do obrabianego elementu.

- Powoli przesuwaj maszynę wzdłuż narysowanej wcześniej linii, mocno dociskając stopę narzędzia do obrabianego elementu.
- Nie naciskać maszyny za mocno. Pozwolić jej wykonać swoją pracę.
- Wyłączyć maszynę i poczekać, aż całkowicie się zatrzyma przed jej odłożeniem.

5. KONSERWACJA



Przed rozpoczęciem czyszczenia i konserwacji zawsze wylaczaj maszynę i wyjmowaj z niej akumulator.

Czyścić obudowę maszyny regularnie miękką ściereczką, najlepiej po każdym użyciu. Dopilnować, aby otwory wentylacyjne były wolne od pyłu, kurzu i zabrudzeń. Usuwać odporne zabrudzenia miękką ściereczką zwilżoną mydlinami. Nie używać żadnych rozpuszczalników, takich jak benzyna, alkohol, amoniak itp. Takie substancje chemiczne spowodują uszkodzenie części z tworzywa sztucznego.

SRODOWISKO



Uszkodzone i/lub niepotrzebne urządzenia elektryczne lub elektroniczne podlegają zbiórce w odpowiednich punktach recyklingu.

Tylko kraje WE

Nie wyrzucać elektronarzędzi wraz z odpadami z gospodarstw domowych. Zgodnie z dyrektywą 2012/19/WE dotyczącą zużytych urządzeń elektrycznych i elektronicznych oraz jej wdrożeniem do prawodawstwa krajowego, elektronarzędzia, które już nie nadają się do użytku, podlegają oddzielnej zbiórce oraz utylizacji w sposób przyjazny dla środowiska.

GWARANCJA

Produkty VONROC są wytwarzane zgodnie z najwyższymi standardami jakości i producent udziela gwarancji na wady materiałowe i wady wykonania na okres wymagany prawem, licząc od dnia zakupu. Jeśli wystąpi usterka produktu w tym okresie spowodowana wadą materiałową i/lub wadą wykonania, proszę bezpośrednio skontaktować się ze sprzedawcą VONROC.

Następujące okoliczności powodują unieważnienie gwarancji:

- Przeprowadzono naprawy lub modyfikacje narzędzia w serwisie innym lub autoryzowany lub podjęto ich próbę;
- Normalne zużycie nie jest objęte gwarancją;
- Narzędzie było używane niezgodnie z przeznaczeniem, zle z nim się obchodzono lub było nieprawidłowo konserwowane;
- Użyto części zamiennych innych niż oryginalne.

Niniejsza gwarancja to wyłączna gwarancja producenta i nie obowiązują żadne inne wyrażone ani dorozumiane gwarancje. Nie obowiązują żadne inne wyrażone ani dorozumiane gwarancje o zakresie przekraczającym niniejszą gwarancję, co obejmuje dorozumiane gwarancje przydatności do sprzedaży i przydatności do określonego celu. W żadnym przypadku firma VONROC nie ponosi odpowiedzialności za straty przypadkowe lub wynikowe. Zadośćuczynienie sprzedawcy jest ograniczone do naprawy lub wymiany niezgodnych urządzeń lub części.

Produkt i instrukcja obsługi podlegają zmianom. Dane techniczne podlegają zmianom bez uprzedzenia.

1. GÜVENLİK TALİMATLARI

Ekteki güvenlik uyarılarını, ilave güvenlik uyarılarını ve talimatları okuyun. Güvenlik uyarılarını ve talimatları izlememek elektrik çarpması, yangın ve/veya ciddi yaralanma ile sonuçlanabilir. Güvenlik uyarılarını ve talimatları ilerde bakmak üzere muhafaza edin.

Aşağıdaki semboller kullanıcı kılavuzunda veya ürün üzerinde kullanılmaktadır:



Kullanıcı kılavuzunu okuyun.



Bedensel yaralanma riski.



Başta çocuklar ve evcil hayvanlar olmak üzere etrafta bulunanları yaklaşık 10 m'den daha uzak mesafede tutun.



Güvenlik eldivenleri giyin.



Duyuma koruması takın.



Bir toz maskesi takın.



Tehlike Bölgesi! Makine çalışırken elinizi kesme alanından uzak tutun (10 cm). Testere bıçağına temas ettiğinizde yaralanma tehlikesi mevcuttur.



Lazer radyasyonu uyarısı.



Ürün, Avrupa yönergelerindeki geçerli güvenlik standartlarına uygundur.

GENEL ELEKTRİK ALET GÜVENLİK UYARILARI



UYARI Tüm güvenlik uyarılarını ve tüm talimatları okuyun. Uyarılara uyulmadı ve talimatlar elektrik çarpmasına, yangına ve/veya ciddi yaralanmalara neden olabilir.

Tüm uyarıları ve talimatları gelecekte başvurmak üzere saklayın.

Uyarılardaki "elektrikli alet" terimi, şebeke elektriği ile çalışan (kablolu) elektrikli alet veya pil ile çalışan (kablesiz) elektrikli alet anlamına gelir.

1) İş aşanı güvenliği

- a) **İş alanını temiz ve aydınlık tutun.** Dağınık veya karanlık bölgeler, kazalara davetiye çıkarır.

- b) **Elektrikli aletleri, yanıcı sıvıların, gazların veya tozun var olduğu patlayıcı atmosferlerde kullanmayın.** Elektrikli aletler, tozu veya dumanları ateşleyebilecek kıvılcımlar oluşturur.
- c) **Bir elektrikli aleti kullanırken, çocukları ve çevredekileri uzak tutun.** Dikkatiniz dağılırsa kontrolü kaybedebilirsiniz.

2) Elektrik güvenliği

- a) **Elektrikli alet fişleri, prize uygun olmalıdır. Fişi, hiçbir şekilde modifiye etmeyin. Topraklı elektrikli aletlerle, herhangi bir fiş adaptörü kullanmayın.** Modifiye edilmemiş fişler ve buna uygun prizler, elektrik çarpması riskini azaltır.
- b) **Borular, radyatörler, ocaklar ve buzdolapları gibi topraklı yüzeylerle temastan kaçınınız.** Eğer vücudunuz topraklanmışsa, elektrik çarpması riski daha fazla olur.
- c) **Elektrikli aletleri yağmura veya ıslaklığa maruz bırakmayın.** Bir elektrikli alete su girmesi durumunda, elektrik çarpması riski artacaktır.
- d) **Kabloya kötü davranmayın. Kabloyu taşıma amacıyla, elektrikli aleti ya da elektrikli aletin fişini çekmek için kullanmayın. Kabloyu ısıdan, yağdan, keskin kenarlardan ya da hareketli parçalardan uzak tutun.** Hasar görmüş ya da do-laşmış kablolar, elektrik çarpması riskini artırır.
- e) **Bir elektrikli aleti dış mekanlarda kullanırken, dış mekan kullanımına uygun bir uzatma kablosu kullanın.** Dış mekan kullanımına uygun bir kablo kullanıldığında, elektrik çarpması riski azalır.
- f) **Elektrikli aleti nemli bir konumda çalıştırmak kaçınılmazsa, kaçak akım cihazı (RCD) korumalı bir kaynak kullanın.** RCD kullanımı elektrik çarpması riskini azaltır.

3) Kişisel güvenlik

- a) **Elektrikli aleti kullanırken tetikte kalın, ne yaptığınıza dikkat edin ve sağduyulu davranın. Bir elektrikli aleti yorgun olduğunuzda ya da uyuşturucu, alkol veya ilaç etkisindeyken kullanmayın.** Elektrikli aleti kullanırken bir anlık dikkatsizlik ciddi kişisel yaralanmalara neden olabilir.
- b) **Kişisel koruyucu donanım kullanın. Her zaman göz koruması takın.** Uygun durumlar için kullanılan toz maskesi, kaymaz güvenlik ayakkabıları, baret veya kulak tıkacı gibi koruyucu donanımlar, kişisel yaralanma riskini azaltacaktır.
- c) **Kasıtsız çalışmayı önleyin. Bir elektrik kaynağını ve/veya pil takımını bağlamadan, aleti kaldırmadan ya da taşımadan önce elektrikli aletin anah-**

tarının kapalı durumda olduğundan emin olun. Elektrikli aletleri parmağınız anahtar üzerindeyken taşımak veya anahtarları açık elektrikli aletleri hareketle geçirmek kazalara davetiye çıkarır.

- d) **Elektrikli aleti açık duruma getirmeden önce her türlü ayar anahtarını çıkarın.** Elektrikli aletin dönen bir parçasında kalan bir anahtar, kişisel yaralanmalara neden olabilir.
 - e) **Fazla uzanmayın. Ayaklarınızı sağlam basın ve her zaman dengeli olun.** Böylece beklenmeyen durumlarda elektrikli aleti daha iyi kontrol edebilirsiniz.
 - f) **Uygun kıyafetler giyin. Bol kıyafetler giymeyin, takılar takmayın. Saçınızı, kıyafetlerinizi ve eldivenlerinizi, hareketli parçalardan uzak tutun.** Bol kıyafetler, takılar veya uzun saç, hareketli parçalara takılabilir.
 - g) **Eğer cihazlar toz giderme ve toplama tesislerinin bağlantısı için sağlanmışsa, bunların bağlantısından ve düzgün bir şekilde kullandığından emin olun.** Toz toplama ile tozla ilgili tehlikeleri azaltılabilir.
 - h) **Aletlerin sık kullanılmasından edindiğiniz bilgi birikiminin sizi aşırı rehavete sürüklemesine izin vermeyin ve araç güvenliği ilkelerini göz ardı etmeyin.** Dikkatsiz bir hareket, bir saniyeden bile kısa sürede ciddi yaralanmalara neden olabilir.
- 4) Elektrikli alet kullanımı ve bakımı**
- a) **Elektrikli aleti zorlamayın. Uygulamanız için doğru elektrikli aleti kullanın.** Doğru elektrikli alet, tasarımı amacına uygun olarak işi daha iyi yapacaktır.
 - b) **Eğer anahtarlar açılıp kapatılmıyorsa, elektrikli aleti kullanmayın.** Anahtarla kumanda edilemeyen elektrikli aletler tehlikelidir ve tamir edilmelidir.
 - c) **Herhangi bir ayar, aksesuar değişimi ya da depolama işleminden önce elektrikli aletin fişini elektrik kaynağından çıkarın ve/veya pil takımını elektrikli aletten çıkarın.** Bu tür önleyici güvenlik önlemleri, elektrikli aletin kazara çalışma riskini azaltır.
 - d) **Boş durumdaki elektrikli aletleri çocukların erişmeyeceği bir yerde muhafaza edin ve elektrikli aletin nasıl çalıştığını ya da bu talimatları bilmeyen kişilerin elektrikli aleti kullanmasına izin vermeyin.** Elektrikli aletler, eğitimsiz kullanıcıların elinde tehlikeli olur.
 - e) **Elektrikli aletlerin bakımını yapın. Hatalı ayarlar veya hareketli parçaların bağlanması, parça**

kırılmaları ve elektrikli aletin çalışmasını etkileyecek diğer durumlar için kontrol gerçekleştirin. Eğer herhangi bir hasar varsa, elektrikli alet kullanılmadan önce tamir edilmelidir. Çoğu kazaya bakımı iyi yapılmayan elektrikli aletler neden olur.

- f) **Kesme aletlerini keskin ve temiz tutun.** Bakımı iyi yapılan ve keskin kenarlara sahip kesme aletlerinde donmalar daha az yaşanır ve kontrol edilmeleri daha kolay olur.
- g) **Elektrikli aleti, aksesuarlarını ve torna kalemlemini bu talimatlara uygun olarak kullanın, çalışma koşullarını ve gerçekleştirilecek olan işi dikkate alın.** Elektrikli aletin kullanım amacı dışında kullanılması, tehlikeli durumlara sonuçlanabilir.
- h) **Tutamakları ve tutma yerlerini kuru, temiz ve yağdan arındırılmış şekilde muhafaza edin.** Kaygan tutamaklar ve tutma yerleri, beklenmedik durumlarda aletin güvenli şekilde taşınmasına ve kontrol edilmesine izin vermez.

5) Pili alet kullanımı ve bakımı

- a) **Yalnızca üretici tarafından belirtilen şarj aletiyle şarj edin.** Bir türde pil takımı için uygun bir şarj cihazı, başka bir pil takımı ile kullanıldığında yangın riski oluşturabilir.
- b) **Elektrikli aletleri yalnızca özel olarak belirlenmiş pil takımlarıyla kullanın.** Başka pil takımlarının kullanımı yaralanma ve yangın riski oluşturabilir.
- c) **Pil takımı kullanılmadığı zamanda, ataşlar, bozuk paralar, anahtarlar, çiviler, vidalar veya diğer küçük metal nesnelere gibi bir uçtan diğerine bir bağlantı yapabilecek diğer metal nesnelere uzak tutun.** Pil uçlarını birbirine kısa devre yaptırmak yanıklara veya yangına neden olabilir.
- d) **Bozulma durumlarında pilden sıvı çıkabilir; temastan kaçının. Kazara temas gerçekleşirse, suyla yıkayın. Sıvı gözlerle temas ederse ayrıca tıbbi yardım isteyin.** Pilden çıkan sıvı tahriş veya yanıklara neden olabilir.
- e) **Hasarlı veya üzerinde değişiklik yapılmış bir batarya veya aleti kullanmayın.** Hasarlı veya üzerinde değişiklik yapılmış bataryalar, yangın, patlama ya da yaralanma riskiyle sonuçlanan beklenmedik davranışlar sergileyebilir.
- f) **Batarya veya aleti ateşe veya aşırı sıcaklığa maruz bırakmayın.** Ateşe veya 130 °C üzeri sıcaklıklara maruz kalması patlamaya yol açabilir. NOT Sıcaklık birimi olarak kullanılan „130 °C“

yerine „265 °F“ kullanılabilir.

- g) **Tüm şarj talimatlarına uyun ve batarya veya aleti talimatlarda belirtilen sıcaklık aralığının dışındaki ortamlarda şarj etmeyin.** Yanlış şekilde veya belirtilen aralığın dışındaki sıcaklıklarda şarj etmek bataryaya zarar verebilir ve yangın riskini artırabilir.

6) Servis

- a) **Elektrikli aletinizin servis işlemlerini, yalnızca aynı yedek parçaları kullanan vasıflı bir tamircinin yapmasını sağlayın.** Bu, elektrikli aletin güvenliğinin korunmasını sağlayacaktır.
- b) **Hasarlı bataryalara asla kendiniz bakım yapmaya çalışmayın.** Bataryadaki bakım işlemleri sadece üretici veya yetkili servisler tarafından yapılmalıdır.

DEKUPAJ TESTERELER İÇİN GÜVENLİK UYARILARI

- **Lazer radyasyonu uyarısı.** Lazer sınıfı 2, P maks.: <1 mW, λ: 650 nm, EN 60825-1:2014. Doğrudan lazer ışınına veya ortaya çıktığı çıkış yerine bakmayın. Lazer ışınına asla insanlara, hayvanlara veya yansıtıcı yüzeylere doğrultmayın. Kısa süreli göz teması bile göz hasarına neden olabilir. Lazer çıkış açıklığının optik aletlerin (örneğin büyüteç, büyüteçler ve benzeri) kullanılmasıyla incelenmesi, göze zarar gelmesi riskini doğurur. Sınıf 2 bir lazerle çalışırken, göz koruması kullanımına dönük ulusal düzenlemelere uyun.
- **Bir işlem sırasında kesme aleti gizli kablolarla temas edebileceği için kesim aksesuarını yalıtımlı tutma yüzeylerinden tutun.** Kesici aletin, “elektrik akımı” bulunan kablolarla temas halinde “akım”, elektrikli aletin iletken metal parçaları üzerinden operatöre iletilerek elektrik çarpmasına yol açabilir.
- **Ellerinizi kesim alanından uzak tutun.** Üzerinde çalıştığınız parçaya altından ulaşmayı denemeyin. Testere bıçağı ile temas yaralanmalara neden olabilir.
- **Makineyi ancak çalıştırıldıktan sonra iş parçasına doğru ilerletin.** Aksi halde, kesici alet iş parçasında sıkıştığında geri tepme tehlikesi vardır.
- **Kesim yapılırken taban plakasının malzemeye sağlam bir şekilde oturmasına dikkat edin.** Sıkışmış bir testere bıçağı kırılabilir veya geri tepmeye neden olabilir.

- **Kesim tamamlandığında, makineyi kapatın ve ardından testere bıçağını kesilen yerden ancak durduktan sonra çekin.** Bu şekilde geri tepmeyi önleyebilir ve makineyi güvenli bir şekilde yerleştirebilirsiniz.
- **Sadece hasar görmemiş, mükemmel durumda olan testere bıçaklarını kullanın.** Kıvrılmış veya körelmiş testere bıçakları kırılabilir, kesimi olumsuz etkileyebilir veya geri tepmeye neden olabilir.
- **Kapattıktan sonra yandan baskı uygulayarak testere bıçağını durdurmayın.** Testere bıçağı zarar görebilir, kırılabilir veya geri tepmeye neden olabilir.
- **Çalışma alanında gizli tesisat hattı olup olmadığını belirlemek için uygun detektörler kullanın veya yardım için yerel kamu hizmet şirketini arayın.** Elektrik hatları ile temas yangına ve elektrik çarpmasına neden olabilir. Bir doğalgaz hattının hasar görmesi patlamaya neden olabilir. Su hattını delmek maddi hasara neden olur.
- **İş parçasını sabitleyin.** Kelepçeleme aletleriyle veya bir mengene ile sıkıştırılmış bir iş parçası, elle olduğundan daha güvenli tutulur.
- **Makineyi yere koymadan önce tamamen durmasını bekleyin.** Alet ek parçası sıkışabilir ve elektrikli alet üzerinde kontrol kaybına yol açabilir.
- **İş parçasını sabit bir platforma sıkıca tutturmak ve desteklemek için kelepçeler veya başka bir pratik yöntem kullanın.** İş parçasını elle tutmak veya vücudunuza dayamak dengesiz durmasını neden olur ve bu da kontrol kaybına yol açabilir.

2. MAKİNE BİLGİSİ

Kullanım amacı

Makine, taban plakasını iş parçası üzerinde sıkıca tutarken istenen herhangi bir büyüklükte ve şekilde ahşap, metal, lastik, seramik, kauçuk vb. kesmek için tasarlanmıştır. Her zaman uygun bir testere bıçağı kullanılmalıdır.

TEKNİK SPESİFİKASYONLAR

Model No.	JS501DC
Şebeke voltajı	20V
Yüksüz devir	0-2500/min
Testere vuruşu	25mm

Maks. testere kapasitesi ahşap 0°	50mm
Maks. testere kapasitesi çelik 0°	8mm
Ağırlık	1,85 kg
L _{PA} (ses basıncı seviyesi)	82,0 dB(A), K=3dB(A)
L _{WA} (ses şiddeti seviyesi)	93,0 dB(A), K=3dB(A)
Vibrasyon 'Sac levhanın testere'	5,459 m/s ² K=1,5 m/s ²
Vibrasyon 'Kontrplak gördüm'	5,658 m/s ² K=1,5 m/s ²

Sadece aşağıdaki VONROC POWER 20V batarya platformuna ait bataryaları kullanın. Başka batarya kullanmak, ciddi yaralanmalara neden olabilir veya alete zarar verebilir.

CD801AA	20V, 2Ah Lityum-iyon
CD803AA	20V, 4Ah Lityum-iyon

Bu bataryaları şarj etmek için aşağıdaki şarj aleti kullanılabilir.

CD802AA	Hızlı şarj aleti
---------	------------------

VONROC POWER 20V batarya platformuna ait bataryalar, tüm VONROC POWER 20V batarya platformu aletleriyle karşılıklı değiştirilebilir.

Vibrasyon seviyesi

Bu talimat kılavuzunda belirtilen vibrasyon emisyon seviyesi EN 62841 içinde verilen bir standart teste uygun olarak ölçülmüştür; bir aleti başka bir aletle karşılaştırmak için ve aleti adı geçen uygulamalar için kullanırken bir ilk maruz kalma değerlendirmesi olarak kullanılabilir

- aleti farklı uygulamalar için veya farklı ya da kötü bakılan aksesuarlarla kullanmak maruz kalma seviyesini büyük ölçüde artırabilir
- aletin kapalı olduğu veya çalışıp da gerçekten işi yapmadığı zamanlar maruz kalma seviyesini büyük ölçüde azaltabilir

Aletin ve aksesuarların bakımını yaparak, ellerinizi sıcak tutarak ve çalışma düzenlerinizi organize ederek vibrasyonun etkilerine karşı kendinizi koruyun

AÇIKLAMA

Metindeki numaralar sayfa 2-3'deki çizimleri işaret etmektedir.

1. Kilitleme düğmesi
2. Açma / kapama düğmesi

3. Tutamak
4. Pil (ürüne dahil değildir)
5. Pil kilidini açma düğmesi
6. Sarkaç hareketi düğmesi
7. Eğim açısı için ölçek
8. Taban plakası kapağı
9. Taban plakası
10. Kılavuz silindir
11. Lazer düğmesi
12. Siper
13. Kelepçeleme kolu
14. Paralel korkuluk kelebek civatası
15. Alyan anahtarı
16. Matkap kovası
17. Testere bıçağı
18. Taban plakası civatası
19. Paralel korkuluk
20. Lazer
21. Kesme işareti
22. Lazer ataşman vidası

3. MONTAJ



Elektrikli alet üzerinde herhangi bir çalışma yapmadan önce, pili çıkarın.



İlk kullanımdan önce pil şarj edilmelidir.

Pilin makineye takılması (Şekil A, G)



Şarj aletine veya makineye bağlamadan önce pilin dış kısmının temiz ve kuru olmasını sağlayın.

1. Pili (4) Şekil G'de gösterildiği gibi makinenin alt kısmına takın.
2. Yerine oturana kadar pili daha ileriye itin.

Pilin makineden çıkartılması (Şekil A, G)

1. Pil kilit açma düğmesine (5) basın.
2. Pili Şekil G'de gösterildiği gibi makineden çıkarın.

Testere bıçağının değiştirilmesi (Şekil A, C)



Testere bıçağını monte ederken koruyucu eldiven kullanın. Testere bıçağına dokunulduğunda yaralanma tehlikesi.



Sadece kullanım talimatlarında verilen karakteristik verilere karşılık gelen testere bıçaklarını kullanın.

Testere bıçağının takılması

Bıçak tutucusunda malzeme artıkları (tahta kıymıkları veya metal gibi) bulunmadığından emin olun.

1. Kelepçeleme kolunu (13) mümkün olduğunca sola çevirin ve bu konumda tutun.
2. Testere bıçağını kovana (16) yerleştirin. Testere bıçağının sağlam bir şekilde sabitlendiğinden ve dişlerin aşağıya dönük olduğundan emin olun.
3. Kelepçeleme kolunu bırakın. Testere bıçağının yerine kilitleyip kilitlemediğini kontrol edin.

İlgili malzeme için doğru testere bıçağını kullandığınızdan emin olun. Makine ile birlikte ahşap için kalın dişli bir testere bıçağı ve metal ve plastik için ince dişli bir testere bıçağı verilir.

Testere bıçağının çıkartılması

1. Kelepçeleme kolunu (13) mümkün olduğunca sola çevirin ve bu konumda tutun.
2. Testere bıçağını kovandan (16) çıkartın.
3. Kelepçeleme kolunu bırakın.

Paralel kılavuzun takılması (Şekil D)

1. Kelebek civatalarını (14) gevşetin.
2. Paralel korkuluğu (19) taban plakasına (9) yerleştirin.
3. Paralel kılavuzdaki ölçęi (14) ve taban plakasındaki (20) kesme işaretini kullanarak istenen kesme genişliğini ayarlayın. Kesme işareti (20) testere bıçağının konumunu gösterir.
4. Kelebek civatalarını (14) sıkın.

4. ÇALIŞTIRMA**Makinenin açılması/kapatılması (Şekil A)**

Açma/kapama düğmesi (2) makineyi çalıştırmak ve hızı ayarlamak için kullanılır.

- Makineyi çalıştırmak için, kilitleme düğmesine (1) basılı tutun ve açma/kapama düğmesine (2) basın.
- Açma/kapama düğmesine (2) ne kadar çok basılırsa, bıçak o kadar hızlı hareket eder. Gerekli hız, malzemeye bağlıdır ve pratik testlerle belirlenebilir.
- Makineyi durdurmak için açma/kapama düğmesini (2) bırakın.

Lazerin açılması/kapatılması (Şekil A)

- Lazeri açmak veya kapatmak için lazer düğmesine (11) basın. Lazer düğmesi (11) aynı zamanda LED çalışma ışığını da açar.

Lazerin inde ayarı

Not: Lazer işlevini test etmek için, pilin alete takılması gerekir.



Lazeri ayarlarken, hiçbir zaman açma/kapama düğmesini etkinleştirmeyin. Elektrikli el aletinin yanlışlıkla çalıştırılması yaralanmalara neden olabilir.

Lazer (11) doğru kesim çizgisini göstermeyi bırakırsa, lazeri yeniden ayarlayabilirsiniz. Bunu yapmak için, lazer ayar vidasını (22) kullanın ve doğru kesim çizgisini gösterene kadar lazeri ayarlayın.

Eğim açısının ayarlanması (Şekil B, F)

1. Allen anahtarını (15) kullanarak civatayı (18) gevşetin.
2. Taban plakasını (9) istenen pozisyona (0°- 45°) ayarlayın. Kesme açısı (eğim) açısı göstergesinde (7) okunabilir.
3. Allen anahtarını (15) kullanarak civatayı (7) sıkın. Allen anahtarını, Şekil B'de gösterildiği gibi makinede saklamak mümkündür.

Sarkaç hareketinin ayarlanması (Şekil A)

Sarkaç hareketi düğmesi testere bıçağı dişlerinin malzemeyi kavrama şeklini ayarlamak için kullanılır. Sarkaç hareketi düğmesi 4 farklı konuma ayarlanabilir:

- 0 - Sarkaç hareketi yok
- 1 - Küçük sarkaç hareketi
- 2 - Orta sarkaç hareketi
- 3 - Büyük sarkaç hareketi

Gerekli sarkaç eylemi, aşağıdaki talimatlara uyulmasına rağmen, pratik testlerle belirlenebilir:

- Yumuşak malzeme (ahşap, plastik vb.): Sarkaç seviyesini II veya III konumuna getirin. Testere ile daha pürüzsüz ve temiz bir kesimi için, sarkaç seviye 0 veya I kullanın.
- İnce malzemede, sarkaç seviye 0 kullanın.
- Sert malzeme (çelik vb.): sarkacı seviye 0 konumuna ayarlayın.
- Kıvrımlar: sarkacı seviye 0 konumuna ayarlayın.

Daldırma kesimi (Şekil H)

Daldırma kesimi sadece ahşap, gözenekli beton, alçı levha ürünleri gibi yumuşak materyallerle kullanılabilir. Bununla birlikte bu kesim için belirli bir pratik gerekir ve sadece kısa testere bıçaklarıyla mümkündür.

1. Testere tabanını iş parçası üzerine koyun ve aleti çalıştırın.
2. Ayaklığın alt kenarının şekilde gösterildiği gibi iş parçasına yaslandığından emin olun.
3. Testereyi dikey bir konuma hareket ettirerek iş parçasını yavaşça kesin ve kesim çizgisi boyunca kesme işlemine devam edin.
4. İş tamamlandığında testereyi kapatın ve iş parçasını kaldırın.

İdeal kullanım için ipuçları

- İş parçasını kelepçe ile sabitleyin. Küçük iş parçaları için bir sıkma aleti kullanın.
- Testere bıçağının ilerleyeceği yönü tanımlamak için bir çizgi çizin.
- Makineyi sapından sıkıca tutun.
- Kesim hızını ayarlayın.
- Gönye açısını ayarlayın.
- Sarkaç konumunu ayarlayın.
- Makineyi açın.
- Makine tam hıza ulaşana dek bekleyin.
- Testere pabucunu iş parçasının üzerine getirin.
- Makineyi, testere pabucunu iş parçasına sıkıca bastırarak önceden çizilmiş çizgi boyunca yavaşça hareket ettirin .
- Makine üzerinde çok fazla basınç uygulamayın. İş makinesinin yapmasına izin verin.
- Makineyi kapatın ve makineyi bir kenara koymadan önce makinesinin tamamen durmasını bekleyin.

4. BAKIM



Temizlik ve bakımdan önce her zaman makineyi kapatın ve pil takımını makineden çıkarın.

Makine kaplamalarını yumuşak bir bezle, tercihen her kullanımdan sonra düzenli olarak temizleyin. Havalandırma deliklerinin toz ve kirden arınmış olduğundan emin olun. Çok inatçı kirleri sabun köpüğüyle ıslatılmış yumuşak bir bezle çıkarın. Benzin, alkol, amonyak vs. gibi çözücü maddeleri kullanmayın. Bunlar gibi kimyasallar sentetik bileşenlere zarar verecektir.

ÇEVRE



Arızalı ve/veya atılmış elektrikli veya elektronik ekipmanların uygun geri dönüşüm konumlarında toplanması gerekir.

Yalnızca AT ülkeleri için

Elektrikli aletleri evsel atık olarak atmayın. Atık Elektrikli ve Elektronik Donanım için Avrupa İlkeleri 2012/19/EU'ya ve bunun yerel hukuk çerçevesinde uygulamasına göre, artık kullanılamaz olan elektrikli aletler ayrı olarak toplanmalı ve çevre dostu bir yolla imha edilmelidir.

GARANTİ

VONROC ürünleri yüksek kalite standartları doğrultusunda geliştirilmiştir ve ilk satın alımdan itibaren kanunen belirlenen süre boyunca materyal ve işçilik açısından kusursuz olacağı garanti edilmektedir. Bu süre zarfında, kusurlu materyal ve/veya işçilikten dolayı üründe herhangi bir arıza meydana gelmesi durumunda, doğrudan VONROC iletişim kurun.

Takip eden durumlar bu garanti kapsamı dışındadır:

- Yetkisiz servis merkezleri tarafından yapılan veya yapılmaya teşebbüs edilen onarım ve/veya değişiklikler.
- Normal aşınma ve eskime.
- Cihazın kötü ve yanlış kullanılması veya cihaza yanlış bakım yapılması.
- Orijinal olmayan yedek parçaların kullanılması

Bu, şirket tarafından açık ya da zımni verilmiş tek garantiyi oluşturur. Belirli bir amaç için ticarete elverişlilik ve uygunluğun zımni garantileri dahil dış görüşünün ötesine uzanan açık veya zımni başka hiçbir garanti yoktur. VONROC herhangi bir arızı veya dolaylı zarardan hiçbir halükarda sorumlu olmayacaktır. Bayilerin getireceği çözümler uygunsuz birimlerin veya parçaların onarımı veya değiştirilmesiyle sınırlı olacaktır.

Ürün ve kullanıcı kılavuzu değişikliğe tabidir.

Spesifikasyonlar başka bir uyarı olmaksızın değiştirilebilir.



DECLARATION OF CONFORMITY JS501DC - JIG SAW

- (EN) We declare under our sole responsibility that this product is in conformity with directive 2011/65/EU of the European parliament and of the council of 8 June on the restriction of the use of certain hazardous substances in electrical and electronic equipment is in conformity and accordance with the following standards and regulations:
- (DE) Der Hersteller erklärt eigenverantwortlich, dass dieses Produkt der Direktive 2011/65/ EU des Europäischen Parlaments und des Rats vom 8. Juni 2011 über die Einschränkung der Anwendung von bestimmten gefährlichen Stoffen in elektrischen und elektronischen Geräten entspricht, den folgenden Standards und Vorschriften entspricht:
- (NL) Wij verklaren onder onze volledige verantwoordelijkheid dat dit product voldoet aan de conform Richtlijn 2011/65/EU van het Europees Parlement en de Raad van 8 juni 2011 betreffende beperking van het gebruik van bepaalde gevaarlijke stoffen in elektrische en elektronische apparatuur en in overeenstemming is met de volgende standaarden en reguleringen:
- (FR) Nous déclarons sous notre seule responsabilité que ce produit est conforme aux standards et directives suivants: est conforme à la Directive 2011/65/EU du Parlement Européen et du Conseil du 8 juin 2011 concernant la limitation d'usage de certaines substances dangereuses dans l'équipement électrique et électronique.
- (ES) Declaramos bajo nuestra exclusiva responsabilidad que este producto cumple con las siguientes normas y estándares de funcionamiento: se encuentra conforme con la Directiva 2011/65/UE del Parlamento Europeo y del Consejo de 8 de junio de 2011 sobre la restricción del uso de determinadas sustancias peligrosas en los equipos eléctricos y electrónicos.
- (IT) Dichiariamo, sotto la nostra responsabilità, che questo prodotto è conforme alle normative e ai regolamenti seguenti: è conforme alla Direttiva 2011/65/UE del Parlamento Europeo e del Consiglio dell'8 giugno 2011 sulla limitazione dell'uso di determinate sostanze pericolose nelle apparecchiature elettriche ed elettroniche.
- (PL) Deklarujemy na własną odpowiedzialność, że ten produkt spełnia wymogi zawarte w następujących normach i przepisach: jest zgodny z Dyrektywą 2011/65/UE Parlamentu Europejskiego i Rady z dnia 8 czerwca 2011 r. w sprawie ograniczenia stosowania niektórych niebezpiecznych substancji w sprzęcie elektrycznym i elektronicznym.
- (TR) Tek sorumlusu biz olmak üzere bu ürünün Avrupa Parlamentosunun 2011/65/EU ve 8 Haziran 2011 tarihli konseyin elektrikli ve elektronik ekipmanlarda belirlenmiş tehlikeli malzeme kullanımının kısıtlanması hakkındaki talimatları ile birlikte aşağıda belirtilen standart ve yönergelere uygun ve uyumlu olduğunu beyan ederiz:

EN 55014-1, EN 55014-2, EN 62841-1, EN 62841-2-11, EN 60825-1, 2006/42/EC, 2014/30/EU, 2012/19/EU, 2011/65/EU

Zwolle, 01-05-2020

H.G.F Rosberg
CEO

VONROC • Lingenstraat 6 • 8028 PM Zwolle • The Netherlands



VONROC®
BUILD YOUR FUTURE

©2020 VONROC
WWW.VONROC.COM

2005-04