



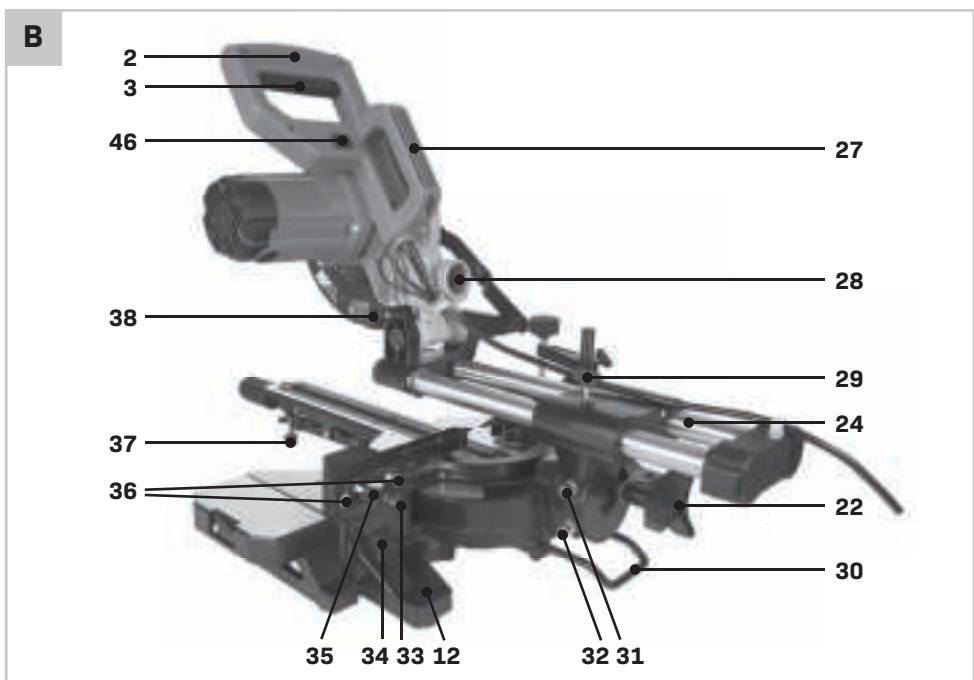
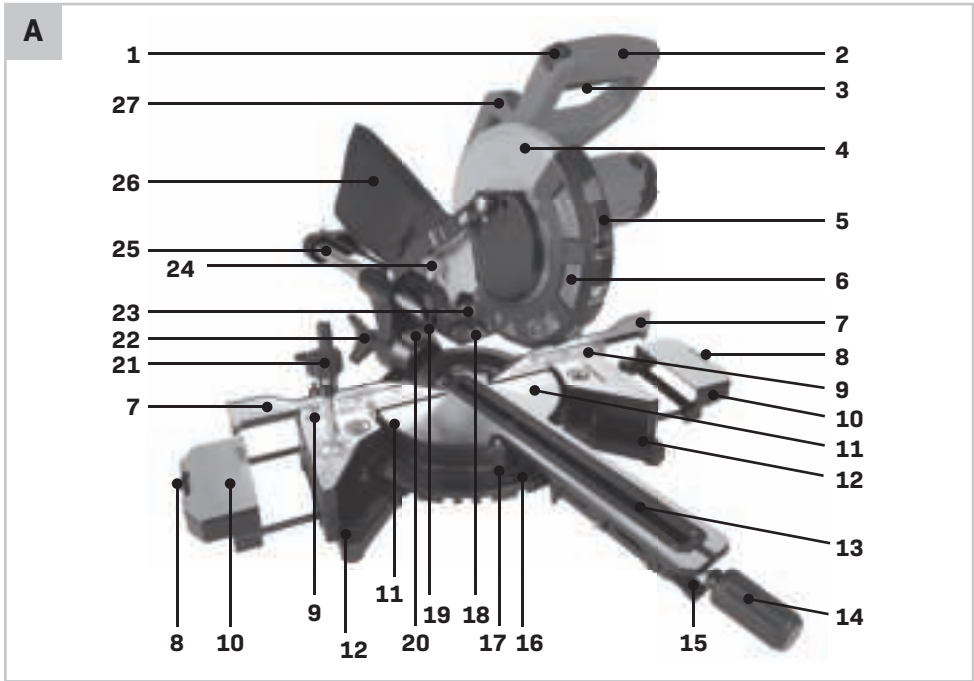
**VONROC®**

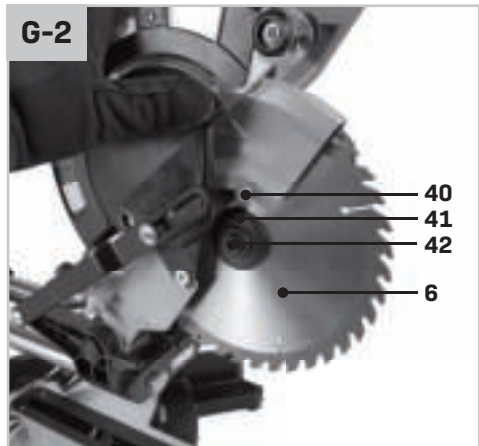
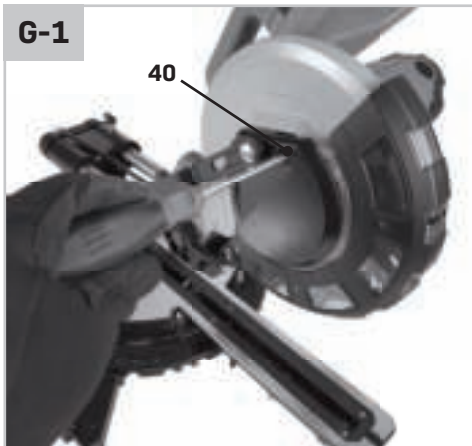
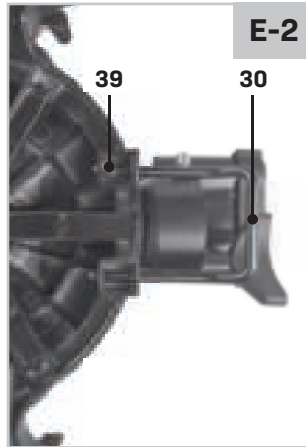
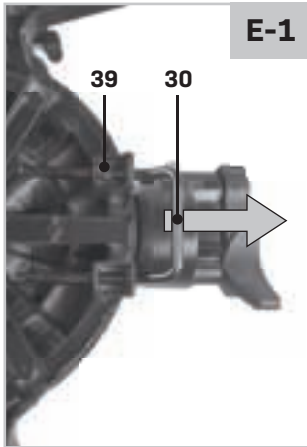
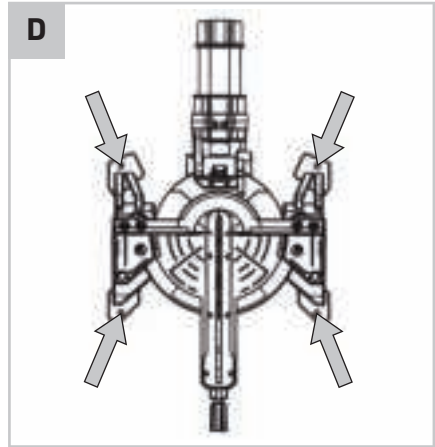
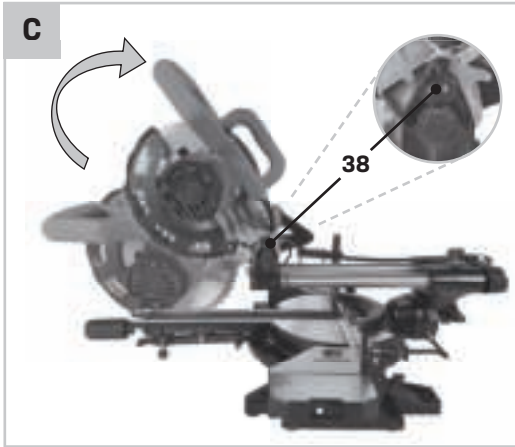
BUILD YOUR FUTURE

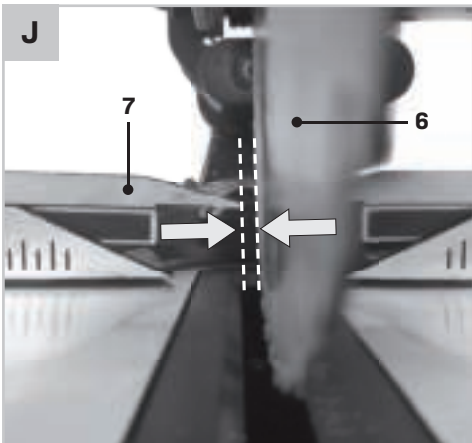
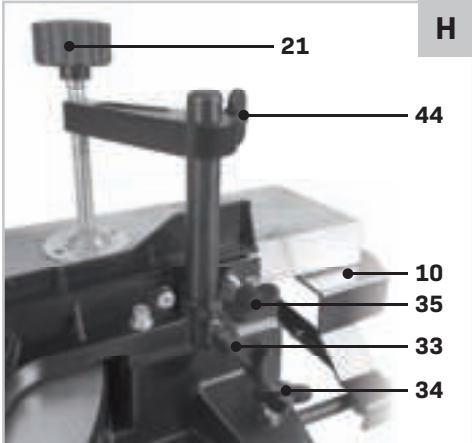
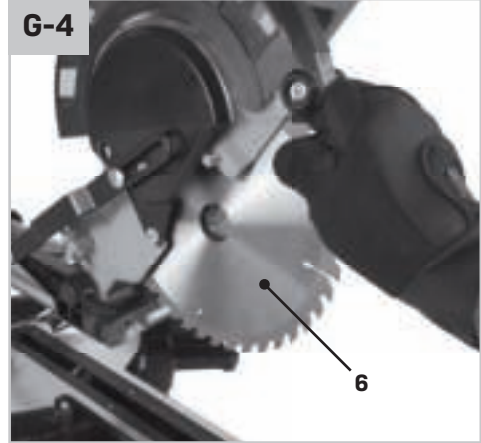
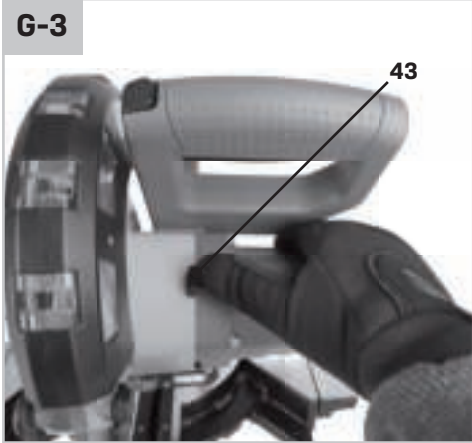
## SLIDING MITRE SAW MS502AC

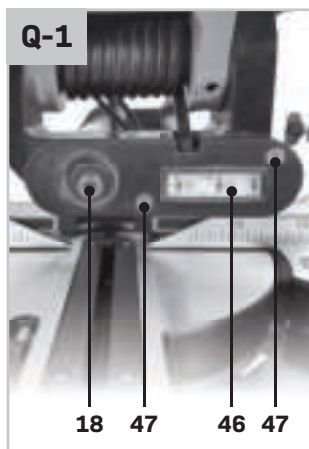
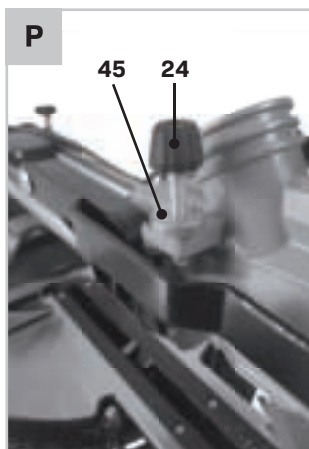
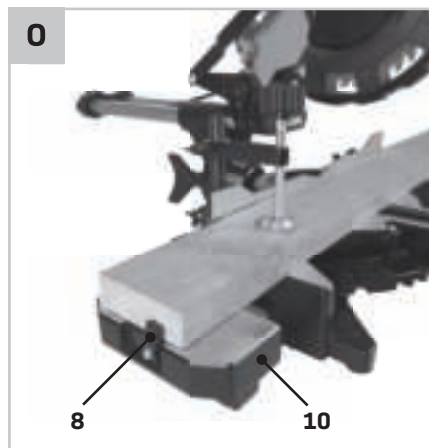
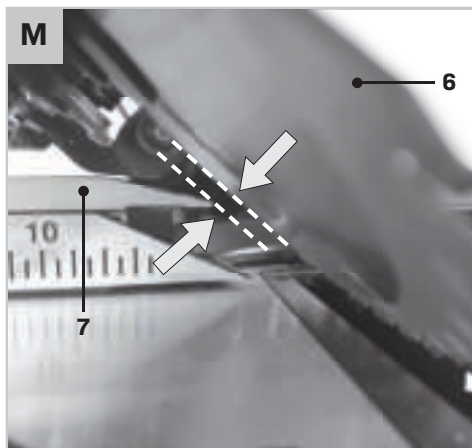


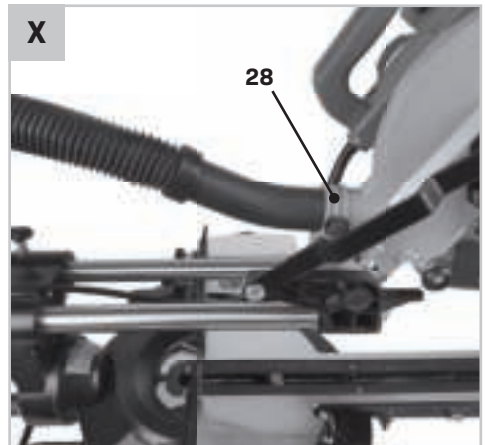
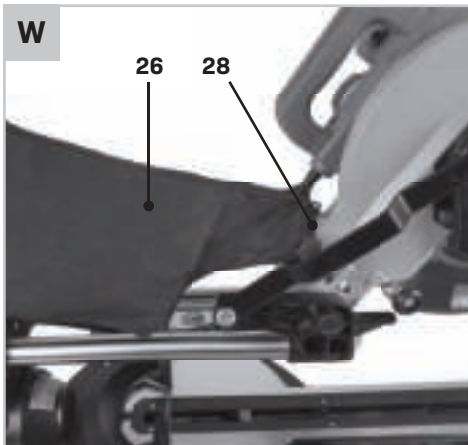
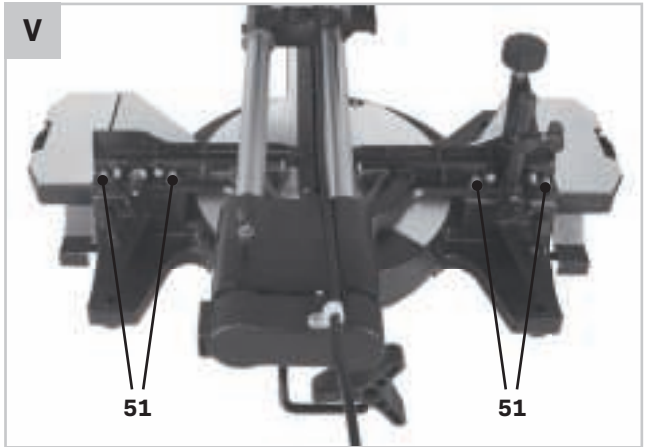
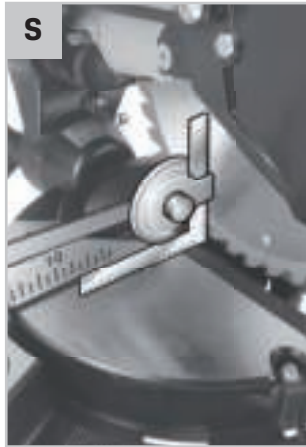
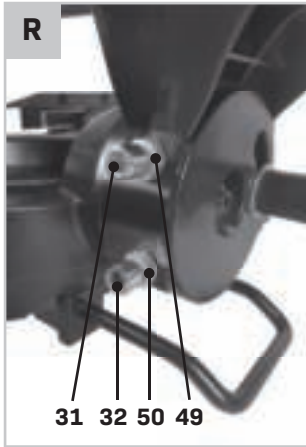
<b>EN</b>	Original Instructions	07
<b>DE</b>	Übersetzung Der Originalbetriebsanleitung	19
<b>NL</b>	Vertaling van de oorspronkelijke gebruiksaanwijzing	33
<b>FR</b>	Traduction de la notice originale	46
<b>ES</b>	Traducción del manual original	60
<b>IT</b>	Traduzione delle istruzioni originali	73
<b>PL</b>	Tłumaczenie instrukcji oryginalnej	87
<b>TR</b>	Orijinal talimatların çevirisi	101











## 1. SAFETY INSTRUCTIONS

Read the enclosed safety warnings, the additional safety warnings and the instructions. Failure to follow the safety warnings and the instructions may result in electric shock, fire and/or serious injury. Save the safety warnings and the instructions for future reference.

The following symbols are used in the user manual or on the product:



Read the user manual.



Denotes risk of personal injury, loss of life or damage to the tool in case of non-observance of the instructions in this manual.



Risk of electric shock.



Keep bystanders away.



Wear a dust protection.



Wear ear and eye protection.



Attention: Laser radiation. Do not stare into the beam Class 2 laser.



Keep hands away from the cutting area while the power tool is running. Contact with the saw blade can lead to injuries.



Danger area! Keep hands, fingers or arms away from this area.



Transport the machine only when the machine is in inward transport position.



Class II machine - Double insulation - You don't need any earthed plug.



The product is in accordance with the applicable safety standards in the European directives.



The adjustable fence must be pulled outward when sawing mitre/bevel angles.



Take note of the dimensions of the saw blade. The hole diameter must fit the tool spindle without play. If it is necessary to use reducers, ensure that the dimensions of the reducer are suitable for the base blade thickness and the saw blade hole diameter, as well as the tool spindle diameter. Wherever possible, use the reducers provided with the saw blade. The saw blade diameter must match the information specified on the symbol.

### GENERAL POWER TOOL SAFETY WARNINGS



**WARNING! Read all safety warnings and all instructions.** Failure to follow the warnings and instructions may result in electric shock, fire and/or serious injury.

#### Save all warnings and instructions for future reference.

The term "power tool" in the warnings refers to your mains-operated (corded) power tool or battery-operated (cordless) power tool.

#### 1) Work area safety

- a) **Keep work area clean and well lit.** Cluttered or dark areas invite accidents.
- b) **Do not operate power tools in explosive atmospheres, such as in the presence of flammable liquids, gases or dust.** Power tools create sparks which may ignite the dust or fumes.
- c) **Keep children and bystanders away while operating a power tool.** Distractions can cause you to lose control.

#### 2) Electrical safety

- a) **Power tool plugs must match the outlet. Never modify the plug in any way. Do not use any adapter plugs with earthed (grounded) power tools.** Unmodified plugs and matching outlets will reduce risk of electric shock.
- b) **Avoid body contact with earthed or grounded surfaces, such as pipes, radiators, ranges and refrigerators.** There is an increased risk of electric shock if your body is earthed or grounded.
- c) **Do not expose power tools to rain or wet conditions.** Water entering a power tool will increase the risk of electric shock.

- d) **Do not abuse the cord. Never use the cord for carrying, pulling or unplugging the power tool. Keep cord away from heat, oil, sharp edges or moving parts.** Damaged or entangled cords increase the risk of electric shock.
  - e) **When operating a power tool outdoors, use an extension cord suitable for outdoor use.** Use of a cord suitable for outdoor use reduces the risk of electric shock.
  - f) **If operating a power tool in a damp location is unavoidable, use a residual current device (RCD) protected supply.** Use of an RCD reduces the risk of electric shock.
- 3) Personal safety**
- a) **Stay alert, watch what you are doing and use common sense when operating a power tool. Do not use a power tool while you are tired or under the influence of drugs, alcohol or medication.** A moment of inattention while operating power tools may result in serious personal injury.
  - b) **Use personal protective equipment. Always wear eye protection.** Protective equipment such as dust mask, non-skid safety shoes, hard hat, or hearing protection used for appropriate conditions will reduce personal injuries.
  - c) **Prevent unintentional starting. Ensure the switch is in the off-position before connecting to power source and/or battery pack, picking up or carrying the tool.** Carrying power tools with your finger on the switch or energising power tools that have the switch on invites accidents.
  - d) **Remove any adjusting key or wrench before turning the power tool on.** A wrench or a key left attached to a rotating part of the power tool may result in personal injury.
  - e) **Do not overreach. Keep proper footing and balance at all times.** This enables better control of the power tool in unexpected situations.
  - f) **Dress properly. Do not wear loose clothing or jewellery. Keep your hair, clothing and gloves away from moving parts.** Loose clothes, jewellery or long hair can be caught in moving parts.
  - g) **If devices are provided for the connection of dust extraction and collection facilities, ensure these are connected and properly used.** Use of dust collection can reduce dust related hazards.
  - h) **Do not let familiarity gained from frequent use of tools allow you to become complacent and ignore tool safety principles.** *A careless action can cause severe injury within a fraction of a second.*
- 4) Power tool use and care**
- a) **Do not force the power tool. Use the correct power tool for your application.** The correct power tool will do the job better and safer at the rate for which it was designed.
  - b) **Do not use the power tool if the switch does not turn it on and off.** Any power tool that cannot be controlled with the switch is dangerous and must be repaired.
  - c) **Disconnect the plug from the power source and/or the battery pack from the power tool before making any adjustments, changing accessories, or storing power tools.** Such preventive safety measures reduce the risk of starting the power tool accidentally.
  - d) **Store idle power tools out of the reach of children and do not allow persons unfamiliar with the power tool or these instructions to operate the power tool.** Power tools are dangerous in the hands of untrained users.
  - e) **Maintain power tools. Check for misalignment or binding of moving parts, breakage of parts and any other condition that may affect the power tool's operation. If damaged, have the power tool repaired before use.** Many accidents are caused by poorly maintained power tools.
  - f) **Keep cutting tools sharp and clean.** Properly maintained cutting tools with sharp cutting edges are less likely to bind and are easier to control.
  - g) **Use the power tool, accessories and tool bits etc. in accordance with these instructions, taking into account the working conditions and the work to be performed.** Use of the power tool for operations different from those intended could result in a hazardous situation.
  - h) **Keep handles and grasping surfaces dry, clean and free from oil and grease.** Slippery handles and grasping surfaces do not allow for safe handling and control of the tool in unexpected situations.
- 5) Battery tool use and care**
- a) **Recharge only with the charger specified by the manufacturer.** A charger that is suitable for one type of battery pack may create a risk of fire when used with another battery pack.
  - b) **Use power tools only with specifically designated battery packs.** Use of any other battery packs may create a risk of injury and fire.
  - c) **When battery pack is not in use, keep it away from other metal objects, like paper clips, coins, keys, nails, screws or other small metal**



**objects that can make a connection from one terminal to another.** Shorting the battery terminals together may cause burns or a fire.

- d) **Under abusive conditions, liquid may be ejected from the battery; avoid contact. If contact accidentally occurs, flush with water. If liquid contacts eyes, additionally seek medical help.** Liquid ejected from the battery may cause irritation or burns.
  - e) **Do not use a battery pack or tool that is damaged or modified.** Damaged or modified batteries may exhibit unpredictable behaviour resulting in fire, explosion or risk of injury.
  - f) **Do not expose a battery pack or tool to fire or excessive temperature.** Exposure to fire or temperature above 130 °C may cause explosion. NOTE The temperature „130 °C“ can be replaced by the temperature „265 °F“.
  - g) **Follow all charging instructions and do not charge the battery pack or tool outside the temperature range specified in the instructions.** Charging improperly or at temperatures outside the specified range may damage the battery and increase the risk of fire.
- 6) Service**
- a) **Have your power tool serviced by a qualified repair person using only identical replacement parts.** This will ensure that the safety of the power tool is maintained.
  - b) **Never service damaged battery packs.** Service of battery packs should only be performed by the manufacturer or authorized service providers.

## SPECIFIC SAFETY INSTRUCTIONS

- **Mitre saws are intended to cut wood or wood-like products, they cannot be used with abrasive cut-off wheels for cutting ferrous material such as bars, rods, studs, etc.** Abrasive dust causes moving parts such as the lower guard to jam. Sparks from abrasive cutting will burn the lower guard, the kerf insert and other plastic parts.
- **Use clamps to support the workpiece whenever possible. If supporting the workpiece by hand, you must always keep your hand at least 100 mm from either side of the saw blade. Do not use this saw to cut pieces that are too small to be securely clamped or held by hand.** If your hand is placed too close to the saw blade, there is an increased risk of injury from blade contact.
- **The workpiece must be stationary and clamped or held against both the fence and the table. Do not feed the workpiece into the blade or cut “freehand” in any way.** Unrestrained or moving workpieces could be thrown at high speeds, causing injury.
- **Push the saw through the workpiece. Do not pull the saw through the workpiece. To make a cut, raise the saw head and pull it out over the workpiece without cutting, start the motor, press the saw head down and push the saw through the workpiece.** Cutting on the pull stroke is likely to cause the saw blade to climb on top of the workpiece and violently throw the blade assembly towards the operator.
- **Never cross your hand over the intended line of cutting either in front or behind the saw blade.** Supporting the workpiece “cross handed” i.e. holding the workpiece to the right of the saw blade with your left hand or vice versa is very dangerous.
- **Do not reach behind the fence with either hand closer than 100 mm from either side of the saw blade, to remove wood scraps, or for any other reason while the blade is spinning.** The proximity of the spinning saw blade to your hand may not be obvious and you may be seriously injured.
- **Inspect your workpiece before cutting. If the workpiece is bowed or warped, clamp it with the outside bowed face toward the fence. Always make certain that there is no gap between the workpiece, fence and table along the line of the cut.** Bent or warped workpieces can twist or shift and may cause binding on the spinning saw blade while cutting. There should be no nails or foreign objects in the workpiece.
- **Do not use the saw until the table is clear of all tools, wood scraps, etc., except for the workpiece.** Small debris or loose pieces of wood or other objects that contact the revolving blade can be thrown with high speed.
- **Cut only one workpiece at a time.** Stacked multiple workpieces cannot be adequately clamped or braced and may bind on the blade or shift during cutting.
- **Ensure the mitre saw is mounted or placed on a level, firm work surface before use.** A level and firm work surface reduces the risk of the mitre saw becoming unstable.
- **Plan your work. Every time you change the bevel or mitre angle setting, make sure the adjustable fence is set correctly to support the workpiece and will not interfere with the blade or the guarding system.** Without turning the tool “ON” and with no workpiece on the table, move the

saw blade through a complete simulated cut to assure there will be no interference or danger of cutting the fence.

- **Provide adequate support such as table extensions, saw horses, etc. for a workpiece that is wider or longer than the table top.** Workpieces longer or wider than the mitre saw table can tip if not securely supported. If the cut-off piece or workpiece tips, it can lift the lower guard or be thrown by the spinning blade.
- **Do not use another person as a substitute for a table extension or as additional support.** Unstable support for the workpiece can cause the blade to bind or the workpiece to shift during the cutting operation pulling you and the helper into the spinning blade.
- **The cut-off piece must not be jammed or pressed by any means against the spinning saw blade.** If confined, i.e. using length stops, the cut-off piece could get wedged against the blade and thrown violently.
- **Always use a clamp or a fixture designed to properly support round material such as rods or tubing.** Rods have a tendency to roll while being cut, causing the blade to “bite” and pull the work with your hand into the blade.
- **Let the blade reach full speed before contacting the workpiece.** This will reduce the risk of the workpiece being thrown.
- **If the workpiece or blade becomes jammed, turn the mitre saw off. Wait for all moving parts to stop and disconnect the plug from the power source and/or remove the battery pack. Then work to free the jammed material.** Continued sawing with a jammed workpiece could cause loss of control or damage to the mitre saw.
- **After finishing the cut, release the switch, hold the saw head down and wait for the blade to stop before removing the cut-off piece.** Reaching with your hand near the coasting blade is dangerous.
- **Hold the handle firmly when making an incomplete cut or when releasing the switch before the saw head is completely in the down position.** The braking action of the saw may cause the saw head to be suddenly pulled downward, causing a risk of injury.
- **Keep your work area clean.** Material mixtures are particularly hazardous. Light metal dust may catch fire or explode.
- **Do not use dull, cracked, bent or damaged saw blades. Unsharpened or improperly set saw blades produce narrow kerf causing excessive friction, blade binding and kickback.**
- **Do not use saw blades made from high speed steel (HSS).** Such saw blades can easily break.
- **Always use saw blades with correct size and shape (diamond versus round) of arbour holes.** Saw blades that do not match the mounting hardware of the saw will run off-centre, causing loss of control.
- **Do not replace the integrated laser with a laser of another type.** A laser that is not compatible with this power tool could pose a risk to persons.
- **Never remove cuttings, wood chips, etc. from the cutting area while the power tool is running.** Always guide the tool arm back to the neutral position first and then switch the power tool off.
- **Do not touch the saw blade after working before it has cooled.** The saw blade becomes very hot while working.
- **Never make warning signs on the machine unrecognisable.**
- **If laser radiation hits your eye, you must close your eyes and immediately turn your head away from the beam.**
- **Do not use any optical instruments such as binoculars to view the radiation source.** Doing so can damage your eye.
- **Do not direct the laser beam at persons who are looking through binoculars or similar instruments.** Doing so can damage their eye.
- **Do not make any modifications to the laser equipment.** The setting options described in these operating instructions can be used safely.
- **Do not stand in line with the saw blade in front of the power tool.** Always stand to the side of the saw blade. This protects your body against possible kickback.
- **Keep hands, fingers and arms away from the rotating saw blade.**
- **Do not reach one hand across the other when in front of the tool arm.**
- **Avoid overheating of the saw teeth. When the saw blade overheats, stop the machine.** Allow the saw blade to cool down before using the machine again.
- **Replace damaged or worn saw blades immediately.**
- **Only use saw blades that match the specifications given in this operating manual and that have been tested and marked in accordance with EN 847-1.**

- When sawing curved or round workpieces, these must be especially secured against slipping. At the cutting line, there should be no gap between the workpiece, fence and saw table. If necessary, you will need to manufacture special fixtures.

**Electrical safety**



Always check that the voltage of the power supply corresponds to the voltage on the rating plate.

- Do not use the machine if the mains cable or the mains plug is damaged.
- Only use extension cables that are suitable for the power rating of the machine with a minimum thickness of 1.5 mm<sup>2</sup>. If you use an extension cable reel, always fully unroll the cable.

**2. MACHINE INFORMATION**

**Intended use**

This tool is intended as a stationary machine for making straight lengthways and crossways cuts in wood with and against the grain. It is possible to cut mitre angles of -45° to +45° and bevel angles of -0° to +45°. The power tool with the fitted sawblade is designed with sufficient capacity for sawing hardwood and softwood as well as chipboard and fibreboard. The sawblade is not designed for cutting firewood. Do not use the saw to cut materials other than those specified described in manual.

**TECHNICAL SPECIFICATIONS**

<b>Model No.</b>	<b>MS502AC</b>
Voltage	220-240V~
Frequency	50 Hz
Power input	2000W
No load speed	4500/min
Mitre angles	-45° <> +45°
Bevel angles	-45° <> 0° to the left, single bevel
Sawblade specifications:	
Diameter	Ø 254 mm
Base blade thickness	1.6 mm
Width of cut	2.8 mm
Bore diameter	Ø 30 mm
Number of teeth	60T

Saw capacity (height x width):	
Mitre 0° - Bevel 0°	90 x 340 mm
Mitre 0° - Bevel 45°	45 x 340 mm
Mitre 45° - Bevel 0°	90 x 240 mm
Mitre 45° - Bevel 45	45 x 240 mm
Minimum workpiece dimensions	3 x 10 mm
Laser specifications:	
Class	2
Wavelength	650 nm
Output	< 1 mW
Weight	14.3 kg
Lpa (sound pressure level)	97.2 +3 dB(A)
Lwa (sound power level)	110.2 +3 dB(A)
Vibration value	<2.5 m/s <sup>2</sup>

**Vibration level**

The vibration emission level stated in this instruction manual has been measured in accordance with a standardised test given in EN 60745; it may be used to compare one tool with another and as a preliminary assessment of exposure to vibration when using the tool for the applications mentioned

- using the tool for different applications, or with different or poorly maintained accessories, may significantly increase the exposure level.
- the times when the tool is switched off or when it is running but not actually doing the job, may significantly reduce the exposure level.

Protect yourself against the effects of vibration by maintaining the tool and its accessories, keeping your hands warm, and organizing your work patterns

**DESCRIPTION**

The numbers in the text refer to the diagrams on page 2-6.

1. Lock-off button
2. Handle
3. On/off switch
4. Protective guard
5. Retracting protective guard
6. Saw blade
7. Adjustable fence
8. Length stop
9. Fence
10. Table extension
11. Table
12. Mounting holes

13. Kerf plate
14. Knob for mitre adjustment
15. Lever for mitre adjustment
16. Scale for mitre angle
17. Indicator for mitre angle
18. Laser
19. Indicator for bevel angle
20. Scale for bevel angle
21. Workpiece clamp
22. Knob for bevel adjustment
23. Roller
24. Depth adjustment bolt
25. Slide rails
26. Dust bag
27. Carrying handle
28. Dust outlet
29. Locking bolt for slide rails
30. Rear tilt protector
31. Stop bolt for 45° bevel angle
32. Stop bolt for 0° bevel angle
33. Locking bolt for workpiece clamp
34. Locking bolt for table extension
35. Locking bolt for adjustable fence
36. Adjustment bolt for fence
37. Front tilt protector
38. Position lock knob
39. Grub screw
40. Retaining bolt
41. Clamping flange
42. Clamping bolt
43. Spindle lock
44. Knob for workpiece clamp
45. Knurled nut for depth adjustment
46. LED Worklight
47. Laser cover screws
48. Screws for laser adjustment
49. Lock nut for 45° bevel angle
50. Lock nut for 0° bevel angle
51. Fence bolts

### 3. ASSEMBLY



*Before carrying out any work on the machine, disconnect the mains plug from the power supply.*

#### Transport position (Fig. B, C)

The position lock knob (38) makes it easier to move the power tool when transporting it to various working locations.

#### Unlocking the transport position (work position)

1. Press the handle (2) downwards slightly;
2. Pull the position lock knob (38) fully outwards and lock it in place by turning it;
3. Slowly move the handle (2) upwards.

#### Locking the transport position (transport position)

Before locking in transport position, make sure that the depth adjustment bolt (24) is adjusted to unlimited depth. This way, the handle (2) can be moved fully downwards without touching the depth stop. Also, remove all accessories that cannot be securely fitted to the machine.

1. Loosen the locking bolt for slide rails (29) if tightened;
2. Pull the handle (2) forwards towards yourself and tighten the locking bolt for slide rails (29);
3. Press the handle (2) fully downwards;
4. Lock the position lock knob (38) by first pulling and then turning it;
5. Wind up the mains cable and tie it together with the supplied cable strap.

After locking the transport position, use the carrying handle (27) to safely carry and transport the machine.



*Only use the carrying handle to transport the machine and never the protective guards.*

#### **Install of a stationary machine (Fig. A, B, D)**

To ensure safe handling, the power tool must be mounted on a flat, stable work surface (e.g. work bench) before use. You can install the machine in three ways:

##### 1. On a workbench

In this case the machine must be secured to the workbench using suitable screw fasteners. Use the four holes (12) to do this. As shown on fig. D.

##### 2. On a subframe



*Read all the warnings and instructions included with the saw stand. Failure to observe the warnings and follow instructions may result in electric shock, fire and/or serious injury.*



*Assemble the saw stand properly before mounting the power tool. Correct assembly is important to prevent the risk of collapsing.*

In this case the machine must be secured to the sub frame with bolts. Use the four holes (12) to do this. The sub frame must be anchored with 4 bolts to the floor plate with dimensions of at least 1 square meter. Mount the power tool on the saw stand in the transport position.

### 3. Flexible installation



*This type of installation is not recommended by the manufacturer.*

If, in exceptional circumstances, it is not possible to mount the power tool on a flat and stable work surface, you can improvise by setting it up with the tilt protectors.



*Without the tilt protector, the power tool will not be stable and can tip over especially when sawing maximum mitre and/or bevel angles.*

- Loosen the grub screw (39) using a hex key. Slide the rear tilt protector (30) fully outwards as shown on figure E1 and E2. Now, tighten the grub screw (39) again.
- Rotate the front tilt protector (37) inwards or outwards as shown on figure F until the power tool is positioned level on the work surface.

#### Checking the protective guard (fig. A)

The Retracting protective guard (5) protects against accidental contact with the saw blade and from saw chips flying around. Before use, it must be checked if the saw blade guard is functioning correctly. To do so, pull the handle (2) downwards and check the following:

- The Retracting protective guard (5) must provide access to the saw blade (6) without getting in contact with other parts.
- When folding the saw upwards into the starting position, the Retracting protective guard (5) must cover the entire saw blade (6) automatically.

#### Replacing the saw blade (fig. G)



*Before carrying out any work on the machine, disconnect the mains plug from the power supply.*



*When mounting the saw blade, wear protective gloves. Danger of injury when touching the saw blade.*



*Only use saw blades that correspond with the characteristic data given in the operating instructions. Use only saw blades that are marked with a speed equal or higher than the speed marked on the machine.*



*Do not under any circumstances use grinding discs as the cutting tool.*

Before replacing the saw blade, it is strongly advised to set the mitre angle and bevel angle to 0°. Otherwise, access could be limited.

#### Removing the saw blade

1. Lock the saw in upwards position by using the position lock knob (38);
2. Loosen the retaining bolt (40) using a philips headed screwdriver as shown on figure G1; **WARNING!** Do not fully remove the retaining bolt (40), only loosen it.
3. Fold the retracting protective guard (5) upwards until the clamping bolt (42) can be accessed freely, as shown on figure G2;
4. Insert the hex key into the clamping bolt (42). The retracting protective guard (5) can be released, it will fold onto the hex key.
5. Turn the clamping bolt (42) with the hex key (34) and at the same time press the spindle lock (43) until it engages.
6. Firmly hold the spindle lock (43) and loosen the clamping bolt (42) by turning it clockwise (left-hand thread).
7. Remove the clamping bolt (42) and clamping flange (41). Afterwards, the saw blade (6) can be removed.

#### Mounting the saw blade



*When fitting the saw blade, make sure that the cutting direction of the teeth (arrow direction on the saw blade) matches the direction of the arrow on the guard (4).*



*When fitting the saw blade (6), check to see that it turns freely in the kerf plate (13) in both 0° and 45° angle settings.*

1. Clean the saw blade and all clamping parts to be assembled.
2. Loosen the retaining bolt (40) using a philips headed screwdriver as shown on figure G1; **WARNING!** Do not fully remove the retaining bolt (40), only loosen it.

3. Fold the retracting protective guard (5) upwards until the clamping bolt (42) can be accessed freely, as shown on figure G2;
4. Insert the hex key into the clamping bolt (42). The retracting protective guard (5) can be released, it will fold onto the hex key.
5. Mount the clamping flange (41). Ensure the flat sides of the clamping flange correspond with the flat sides of the blade shaft. Also make sure the convex side of the clamping flange is mounted to the outside.
6. Mount the clamping bolt (42) and turn it using the hex key whilst at the same time pressing the spindle lock (43), until it engages.
7. Firmly hold the spindle lock (43) and fasten the clamping bolt (42) by turning it anti-clockwise.

#### Dust extraction (fig. A, B, W, X)



*Provide good ventilation at the workplace.*



*Wear dust protection.*

The dust from materials such as lead paint and some types of wood can be harmful to your health. Breathing in this dust can cause allergic reactions and/or cause respiratory illnesses for the user or people in the near vicinity. Certain dusts, such as oak or beech dust, are classified as carcinogenic, especially in conjunction with wood treatment additives (chromate, wood preservative). We strongly advise to use a dust extraction system that is suitable for the material wherever possible.



*Avoid dust accumulation at the workplace. Dust can easily ignite.*

The dust extraction system can be blocked by dust, chips or fragments of the workpiece. Thus, it must be cleaned regularly. To do so:

1. Disconnect the mains plug from the power supply.
2. Wait until the saw blade has come to a complete stop.
3. Remove any blockage if necessary

#### Mounting the dust bag (Fig. W)

Press in the clamp of the dust bag (26) and slide it onto the dust outlet (28) on the back of the machine. The dust bag stays in place when releasing the clamp.



#### Connecting a vacuum cleaner (Fig. X)

*The dust extractor must be suitable for the material being worked.*



*When vacuuming dry dust that is especially detrimental to health or carcinogenic, use a special dust extractor.*

A vacuum cleaner hose can be connected to the dust outlet (28). To do so, simply connect the vacuum hose to the dust extraction spout.

## 4. OPERATION



*Before you turn on the machine, always check that the saw blade is fitted correctly. The blade must turn smoothly.*



*Always check the protective guards before use.*



*For all cuts, it must first be ensured that the saw blade at no time can come in contact with the fence, workpiece clamp or other machine parts. Remove any mounted auxiliary stops or adjust them accordingly.*

#### Supporting the workpiece (fig. H)

Workpieces must always be properly supported. The table extensions (10) can be extended left and right to support a workpiece. To do so:

1. Loosen the locking bolt for table extension (34);
2. Move the table extension (10) to the desired position;
3. Tighten the locking bolt for table extension (34).

When sawing extra-long workpieces, the free end of long workpieces must have something additionally placed underneath it or be supported.

#### Clamping the workpiece (fig. H)

Workpieces must always be firmly clamped. The workpiece clamp (21) can be placed left and right of the workpiece. To do so:

1. Ensure the workpiece is firmly pressed against the fence (9);
2. Insert the supplied workpiece clamp (21) into one of the holes intended for this purpose, as can be seen on figure H;
3. Adjust the threaded rod of the workpiece clamp (21) to the workpiece height;

4. Firmly tighten the threaded rod of the workpiece clamp (21) to fix the workpiece in place. To loosen, simply untighten the threaded rod of the workpiece clamp (21).

The knob for workpiece clamp (44) can be used to more quickly adjust the height of the workpiece clamp (21). After adjusting the height, always firmly tighten the threaded rod of the workpiece clamp (21) to fix the workpiece in place.

#### Adjusting the fence (fig. H)



*Always adjust the fence to the specific type of cut.*

When sawing mitre and/or bevel angles, you have to move the adjustable fence (7) depending on the cutting direction. This way, the workpiece is always properly supported by the fence under each condition. To do so:

1. Loosen the locking bolt for adjustable fence (35);
2. Adjust the fence according to the desired cut. For mitre or straight cuts the fence has to be moved inwards towards the blade (max 8 mm) without touching it. For bevel cuts, the fence has to be moved outwards away from the blade (max 8 mm) without touching it;
3. Tighten the locking bolt for adjustable fence (35);
4. To ensure the blade won't get in touch with the adjustable fence (35), it is advised to make a test run of the movement of the blade, without turning the machine on.

#### Adjusting the mitre angle (fig. A)

The mitre angle can be adjusted between 45° left side and 45° right side. For quick and precise setting of commonly used mitre angles, presets are provided on the saw table on 0°, 15°, 22.5°, 30° and 45° angles.

##### Adjusting the mitre angle to a preset:

1. Loosen the knob for mitre adjustment (14);
2. Pull the lever for mitre adjustment (15) and rotate the table (11) left or right to the desired preset. The angle can be read on the scale for mitre angle (16) using the indicator for mitre angle (17).
3. Release the lever. The lever must be felt to engage in the detent of the preset.
4. Tighten the knob for mitre adjustment (14).

##### Adjusting the mitre angle to any required angle:

1. Loosen the knob for mitre adjustment (14);
2. Pull the lever for mitre adjustment (15) and rotate the table (11) left or right to the desired position. The angle can be read on the scale for mitre angle (16) using the indicator for mitre angle (17).
3. Release the lever and tighten the knob for mitre adjustment (14).

#### Adjusting the bevel angle (fig. A, B)

The bevel angle can be set between 0° and +45° to the left side. To do so:

1. Loosen the adjusting knob for bevel adjustment (22);
2. Tilt the saw by using the handle (2) until the indicator (19) reads the desired position on the scale for bevel angle (20);
3. Tighten the adjusting knob for bevel adjustment (22).

#### Switching the machine on/off (Fig. A)

- To start the machine, press and hold the lock-off button (1) and press the on/off switch (3).
- To stop the machine, release the on/off switch (3).

#### Making a cross cut (fig. I, J)

Follow these steps to cut perpendicular to the grain of the wood:

1. Adjust the mitre angle to and the bevel angle to 0°;
2. Move the adjustable fence to the inner position, towards the blade. The maximum distance between the adjustable fence (35) and the saw blade (6) is 8mm, as shown on figure J. Make sure the fence does not touch the blade.
3. Firmly clamp the workpiece;
4. Turn on the machine. Make sure that the saw blade has reached full speed;
5. Now bring the handle slowly downwards so that the saw blade cuts through the piece of work and passes through the slot in the table. Do not put undue pressure on the saw, let the machine do the work;
6. Bring the handle gently up again and switch it off by letting go of the switch.

#### Making a mitre cut (fig. J, K)

Follow these steps to make an angled cut to the face of the wood:

1. Adjust the mitre angle to the desired position and the bevel angle to 0°;
2. Move the adjustable fence to the inner position, towards the blade. The maximum distance

between the adjustable fence (35) and the saw blade (6) is 8mm, as shown on figure J. Make sure the fence does not touch the blade.

3. Firmly clamp the workpiece;
4. Turn on the machine. Make sure that the saw blade has reached full speed;
5. Now bring the handle slowly downwards so that the saw blade cuts through the piece of work and passes through the slot in the table. Do not put undue pressure on the saw, let the machine do the work;
6. Bring the handle gently up again and switch it off by letting go of the switch.

#### **Making a bevel cut (fig. L, M)**

Follow these steps to make an angled cut to the edge of the wood:

1. Adjust the mitre angle to 0° and the bevel angle to the desired position ;
2. Move the adjustable fence to the outer position, away from the blade. The maximum distance between the adjustable fence (35) and the saw blade (6) is 8mm, as shown on figure M. Make sure the fence does not touch the blade.
3. Firmly clamp the workpiece. Ensure the workpiece clamp is placed on the right side;
4. Turn on the machine. Make sure that the saw blade has reached full speed;
5. Now bring the handle slowly downwards so that the saw blade cuts through the piece of work and passes through the slot in the table. Do not put undue pressure on the saw, let the machine do the work;
6. Bring the handle gently up again and switch it off by letting go of the switch.

#### **Making a compound cut (fig. M, N)**

Follow these steps to make a combination of mitre and bevel cut:

1. Adjust the mitre angle and the bevel angle to the desired position ;
2. Move the adjustable fence to the outer position, away from the blade. The maximum distance between the adjustable fence (35) and the saw blade (6) is 8mm, as shown on figure M. Make sure the fence does not touch the blade.
3. Firmly clamp the workpiece. Ensure the workpiece clamp is placed on the right side;
4. Turn on the machine. Make sure that the saw blade has reached full speed;
5. Now bring the handle slowly downwards so that the saw blade cuts through the piece of work

and passes through the slot in the table. Do not put undue pressure on the saw, let the machine do the work;

6. Bring the handle gently up again and switch it off by letting go of the switch.

#### **Using the slide function**

For extra wide workpieces, the machine is equipped with a sliding function. When using the slide function, make sure to loosen the locking bolt for slide rails (29). Pull the handle (2) away from the fence (9) until the saw blade is in front of the workpiece. Slowly guide the tool arm downwards using the handle and afterwards push the handle (2) towards the fence (9) and saw through the workpiece with uniform feed.

For small workpieces, it is possible to fix the sliding function in the rear position of the saw with the locking bolt for slide rails (29). If more cutting width is desired, then it is necessary to loosen the locking bolt for slide rails (29).

#### **Using the length stop (Fig. O)**

The length stop (8) on both the left and right table extensions (10) can be used for easily sawing workpieces to the same length.

1. Move the length stop (8) upwards;
2. Loosen the locking bolt for table extension (34);
3. Adjust the table extension (10) to the required length.
4. Tighten the locking bolt for table extension (34).

#### **Adjusting the depth stop (Fig. P)**

The depth stop can be adjusted, to limit the cutting depth. This can be used to easily saw a groove. To do so:

1. Loosen the knurled nut for depth adjustment (45);
2. Adjust the knob for depth adjustment (24) to the desired depth;
3. Tighten the knurled nut for depth adjustment (45).

#### **Switching the laser on/off (Fig. B)**

Press the laser switch (46) to switch the laser on or off. The laser switch (46) also turns on the LED worklight.

#### **Fine-tuning**



*Prior to any adjustment work disconnect the mains power plug.*



To ensure precise cuts, the basic settings of the saw must be checked and adjusted before first use, as well as necessary after intensive use. Suitable special tools are required for this. Vonroc after-sales will help handling this work quickly and reliably.

#### Fine-tuning the laser (Fig. Q)

Note: To test the laser function, the power tool must be connected to the power supply.



*While adjusting the laser (e.g. when moving the tool arm), never activate the on/off switch. Accidental starting of the power tool can lead to injuries.*

If the laser (18) ceases to indicate the correct cutting line, you can readjust the laser. To do so:

1. Open the cover screws (47) to remove the front cover;
2. Loosen the laser adjustment screws (48) and set the laser by moving it until the laser beam strikes the teeth of the saw blade (6);
3. Mount the front cover by tightening both cover screws (47).

#### Fine-tuning the 0° bevel angle (Fig. R, S)

1. Adjust the mitre and bevel angle to 0°;
2. Lower the handle (2) and secure it using the position lock knob (38);
3. Lock the slide movement using the locking bolt for slide rails (29);
4. Set an angle gauge to 90° and place it on the table (11), as shown on figure S. The leg of the angle gauge must be flush with the saw blade (6) along its entire length;
5. Loosen the lock nut for 0° bevel angle (50);
6. Adjust the stop bolt for 0° bevel angle (32) until the leg of the angle gauge is flush with the saw blade along its entire length;
7. Re-tighten the lock nut for 0° bevel angle (50).

Subsequently check the position of the angle indicator (19). If necessary loosen the pointer using a Philips screwdriver, set to position 0° on the scale for bevel angle (20) and re-tighten the retaining screw.

#### Fine-tuning the 45° bevel angle (Fig. R, T)

1. Adjust the mitre and bevel angle to 45°;
2. Lower the handle (2) and secure it using the position lock knob (38);
3. Lock the slide movement using the locking bolt

- for slide rails (29);
4. Set an angle gauge to 90° and place it on the table (11), as shown on figure T. The leg of the angle gauge must be flush with the saw blade (6) along its entire length;
5. Loosen the lock nut for 45° bevel angle (49);
6. Adjust the stop bolt for 45° bevel angle (31) until the leg of the angle gauge is flush with the saw blade along its entire length;
7. Re-tighten the lock nut for 45° bevel angle (49).

Subsequently check the position of the angle indicator (19). If necessary loosen the pointer using a Philips screwdriver, set to position 45° on the scale for bevel angle (20) and re-tighten the retaining screw.

#### Fine-tuning the 0° mitre angle (Fig. U, V)

1. Set an angle gauge to 0° on the table (11) and position it between the fence (9) and the saw blade (6);
2. The leg of the angle gauge must be flush with the saw blade (6) along its entire length;
3. Loosen all four fence bolts (51) and adjust the fence (9) until the leg of the angle gauge is flush with the saw blade along its entire length;
4. Retighten all four fence bolts (51) again. Subsequently check the position of the angle indicator (17). If necessary loosen the pointer using a Philips screwdriver, set to position 0° on the scale for mitre angle (16) and re-tighten the retaining screw.

## 5. MAINTENANCE



*Always make sure that the machine is not connected to the mains electricity when you carry out any maintenance of the mechanism.*

Clean the machine casings regularly with a soft cloth, preferably after each use. Make sure that the ventilation openings are free of dust and dirt. Remove very persistent dirt using a soft cloth moistened with soapsuds. Do not use any solvents such as gasoline, alcohol, ammonia, etc. Chemicals such as these will damage the synthetic components.

#### **Cleaning the protective guards**

Always check the protective guard (4) and retractable protective guard (5) for debris before using the machine. Remove old sawdust and splinters using a brush or similar tool.

### Replacing the table insert



*Immediately replace damaged table inserts.*

With a damaged table insert (13) there is a risk of small parts getting stuck between table insert and saw blade, blocking the saw blade. To replace the table insert:

1. Remove screws of table insert using a Philips screw driver. If required, adjust mitre and bevel angle to obtain access these screws;
2. Remove table insert;
3. Install new table insert;
4. Tighten the screws using a Philips screw driver.

### Slide rails

Dirt can damage the slide rails (25) and thereupon the operating of the machine.

- Clean the slide rails regularly with a soft cloth;
- Drip some lubricating oil on the slide rails;
- Move the mitre saw forwards and backwards so the oil spreads over the complete rails.

## ENVIRONMENT



*Faulty and/or discarded electrical or electronic apparatus have to be collected at the appropriate recycling locations.*

### Only for EC countries

Do not dispose of power tools into domestic waste. According to the European Guideline 2012/19/EU for Waste Electrical and Electronic Equipment and its implementation into national right, power tools that are no longer usable must be collected separately and disposed of in an environmentally friendly way.

## WARRANTY

VONROC products are developed to the highest quality standards and are guaranteed free of defects in both materials and workmanship for the period lawfully stipulated starting from the date of original purchase. Should the product develop any failure during this period due to defective material and/or workmanship then contact your VONROC directly. The following circumstances are excluded from this guarantee:

- Repairs and or alterations have been made or attempted to the machine by unauthorized service centers;
- Normal wear and tear;

- The tool has been abused, misused or improperly maintained;
- Non-original spare parts have been used.

This constitutes the sole warranty made by company either expressed or implied. There are no other warranties expressed or implied which extend beyond the face hereof, herein, including the implied warranties of merchantability and fitness for a particular purpose. In no event shall VONROC be liable for any incidental or consequential damages. The dealers remedies shall be limited to repair or replacement of nonconforming units or parts.

**The product and the user manual are subject to change. Specifications can be changed without further notice.**

# 1. SICHERHEITSANWEISUNGEN

Lesen Sie die beiliegenden Sicherheitsanweisungen, die zusätzlichen Sicherheitsanweisungen sowie diese Bedienungsanleitung sorgfältig durch. Bei Nichtbeachten der Sicherheitsanweisungen und der Bedienungsanleitung kann es zu einem Stromschlag, einem Brand und/oder schweren Verletzungen kommen. Bewahren Sie die Sicherheitsanweisungen und die Bedienungsanleitung zur künftigen Bezugnahme sicher auf.

Folgende Symbole werden im Benutzerhandbuch oder auf dem Produkt verwendet:



Benutzerhandbuch/Bedienungsanleitung lesen.



Lebens- und Verletzungsgefahr und Gefahr von Beschädigungen am Werkzeug/Gerät bei Nichteinhaltung der Anweisungen in dieser Bedienungsanleitung.



Gefahr eines Stromschlags.



Umstehende fernhalten.



Tragen Sie eine Staubschutzmaske.



Schutzbrille und Gehörschutz tragen.



Achtung: Laserstrahlung Schauen. Sie nicht in den Strahl Laser der Klasse 2.



Kommen Sie mit Ihren Händen nicht in den Sägebereich, während das Elektrowerkzeug läuft. Beim Kontakt mit dem Sägeblatt besteht Verletzungsgefahr.



Gefahrenbereich! Halten Sie möglichst Hände, Finger oder Arme von diesem Bereich fern.



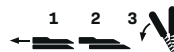
Transportieren Sie die Maschine nur, wenn sie in der Eingangstransportposition ist



Gerät der Schutzklasse II – schutzisoliert – kein Schutzkontakt erforderlich.



Das Produkt entspricht den geltenden Sicherheitsnormen der europäischen Richtlinien.



Beim Sägen von Gehrungswinkeln muss die verstellbare Anschlagschiene nach außen gezogen werden.



Beachten Sie die Abmessungen des Sägeblatts. Der Lochdurchmesser muss ohne Spiel zur Werkzeugspindel passen. Falls eine Verwendung von Reduzierstücken notwendig ist, achten Sie darauf, dass die Abmessungen des Reduzierstücks zur Stammblattstärke und zum Lochdurchmesser des Sägeblatts sowie zum Durchmesser der Werkzeugspindel passen. Verwenden Sie möglichst die mit dem Sägeblatt mitgelieferten Reduzierstücke. Der Sägeblattdurchmesser muss der Angabe auf dem Symbol entsprechen.

## ALLGEMEINE SICHERHEITSHINWEISE



**ACHTUNG! Lesen Sie alle Sicherheitshinweise und Anweisungen.** Fehler bei der Einhaltung der nachstehend aufgeführten Anweisungen können elektrischen Schlag, Brand und/oder schwere Verletzungen verursachen.

### Bewahren Sie diese Anweisungen gut auf.

Der nachfolgend verwendete Begriff „Elektrowerkzeug“ bezieht sich auf netzbetriebene Elektrowerkzeuge (mit Netzkabel) und auf akkubetriebene Elektrowerkzeuge (ohne Netzkabel).

#### 1) Arbeitsplatz

- a) Halten Sie Ihren Arbeitsbereich sauber und aufgeräumt. Unordnung und unbeleuchtete Arbeitsbereiche können zu Unfällen führen.
- b) Arbeiten Sie mit dem Gerät nicht in explosionsgefährdeter Umgebung, in der sich brennbare Flüssigkeiten, Gase oder Staub befinden. Elektrowerkzeuge erzeugen Funken, die den Staub oder die Dämpfe entzünden können.

- c) **Halten Sie Kinder und andere Personen während der Benutzung des Elektrowerkzeugs fern.** Bei Ablenkung können Sie die Kontrolle über das Gerät verlieren.
- 2) **Elektrische Sicherheit**
- a) **Der Anschlussstecker des Gerätes muss in die Steckdose passen. Der Netzstecker darf in keiner Weise verändert werden. Verwenden Sie keine Adapterstecker gemeinsam mit geschützten Geräten.** Unveränderte Netzstecker und passende Steckdosen verringern das Risiko eines elektrischen Schlages.
- b) **Vermeiden Sie Körperkontakt mit geerdeten Oberflächen, wie von Rohren, Heizungen, Herden und Kühlschränken.** Es besteht ein erhöhtes Risiko durch elektrischen Schlag, wenn Ihr Körper geerdet ist.
- c) **Halten Sie das Gerät von Regen oder Nässe fern.** Das Eindringen von Wasser in ein Elektrogerät erhöht das Risiko eines elektrischen Schlages.
- d) **Zweckentfremden Sie das Netzkabel nicht, um das Gerät zu tragen, aufzuhängen oder um den Netzstecker aus der Steckdose zu ziehen. Halten Sie das Netzkabel fern von Hitze, Öl, scharfen Kanten oder sich bewegenden Geräteteilen.** Beschädigte oder verwickelte Netzkabel erhöhen das Risiko eines elektrischen Schlages.
- e) **Wenn Sie mit einem Elektrowerkzeug im Freien arbeiten, verwenden Sie nur Verlängerungskabel, die auch für den Außenbereich zugelassen sind.** Die Anwendung eines für den Außenbereich geeigneten Verlängerungskabels verringert das Risiko eines elektrischen Schlages
- f) **Wenn sich Arbeiten mit einem Elektrowerkzeug in feuchten Umgebungen nicht vermeiden lassen, verwenden Sie eine Stromversorgung mit einer Fehlerstrom-Schutzeinrichtung (RCD).** Durch die Verwendung einer RCD wird die Gefahr eines elektrischen Schlages verringert.
- 3) **Sicherheit von Personen**
- a) **Seien Sie aufmerksam. Achten Sie darauf, was Sie tun, und gehen Sie mit Vernunft an die Arbeit mit einem Elektrowerkzeug. Benutzen Sie das Gerät nicht, wenn Sie müde sind oder unter dem Einfluss von Drogen, Alkohol oder Medikamenten stehen.** Ein Moment der Unachtsamkeit beim Gebrauch des Gerätes kann zu ernsthaften Verletzungen führen.
- b) **Tragen Sie persönliche Schutzausrüstung und immer eine Schutzbrille.** Das Tragen persönlicher Schutzausrüstung, wie Staubmaske, rutschfeste Sicherheitsschuhe, Schutzhelm oder Gehörschutz, je nach Art und Einsatz des Elektrowerkzeuges, verringert das Risiko von Verletzungen.
- c) **Vermeiden Sie eine unbeabsichtigte Inbetriebnahme. Vergewissern Sie sich, dass der Schalter in der Position „AUS(0)“ ist, bevor Sie den Netzstecker in die Steckdose stecken.** Wenn Sie beim Tragen des Geräts den Finger am Schalter haben oder das Gerät eingeschaltet an die Stromversorgung anschließen, kann dies zu Unfällen führen,
- d) **Entfernen Sie Einstellwerkzeuge oder Schraubenschlüssel, bevor Sie das Gerät einschalten.** Ein Werkzeug oder Schlüssel, der sich in einem drehenden Geräteteil befindet, kann zu Verletzungen führen.
- e) **Überschätzen Sie sich nicht. Sorgen Sie für einen sicheren Stand und halten Sie jederzeit das Gleichgewicht.** Dadurch können Sie das Gerät in unerwarteten Situationen besser kontrollieren.
- f) **Tragen Sie geeignete Kleidung. Tragen Sie keine weite Kleidung oder Schmuck. Halten Sie Haare, Kleidung und Handschuhe fern von sich bewegenden Teilen.** Lockere Kleidung, Schmuck oder lange Haare können von sich bewegenden Teilen erfasst werden.
- g) **Wenn Staubabsaug- und -auffangeinrichtungen montiert werden können, vergewissern Sie sich, dass diese angeschlossen sind und richtig verwendet werden.** Das Verwenden dieser Einrichtungen verringert Gefährdungen durch Staub.
- h) **Achten Sie darauf, nicht durch häufigen Gebrauch von Werkzeugen nachlässig zu werden und die Prinzipien zum sicheren Umgang mit den Werkzeugen zu ignorieren.** Eine unachtsame Handlung kann innerhalb von Sekundenbruchteilen schwere Verletzungen verursachen.
- 4) **Sorgfältiger Umgang und Gebrauch von Elektrowerkzeugen**
- a) **Überlasten Sie das Gerät nicht. Verwenden Sie für Ihre Arbeit das dafür bestimmte Elektrowerkzeug.** Mit dem passenden Elektrowerkzeug arbeiten Sie besser und sicherer im angegebenen Leistungsbereich.
- b) **Benutzen Sie kein Elektrowerkzeug, dessen Schalter defekt ist.** Ein Elektrowerkzeug, das sich nicht mehr ein- oder ausschalten lässt, ist gefährlich und muss repariert werden.
- c) **Ziehen Sie den Netzstecker aus der Steckdose, bevor Sie Geräteeinstellungen vornehmen,**

- Zubehörteile wechseln oder das Gerät weglegen.** Diese Vorsichtsmaßnahme verhindert den unbeabsichtigten Start des Geräts.
- d) **Bewahren Sie unbenutzte Elektrowerkzeuge außerhalb der Reichweite von Kindern auf. Lassen Sie Personen das Gerät nicht benutzen, die mit diesem nicht vertraut sind oder diese Anweisungen nicht gelesen haben.** Elektrowerkzeuge sind gefährlich, wenn Sie von unerfahrenen Personen benutzt werden.
- e) **Pflegen Sie das Gerät mit Sorgfalt. Kontrollieren Sie, ob bewegliche Geräteteile einwandfrei funktionieren und nicht klemmen, ob Teile gebrochen oder so beschädigt sind, dass die Funktion des Gerätes beeinträchtigt ist. Lassen Sie beschädigte Teile vor dem Einsatz des Gerätes reparieren.** Viele Unfälle haben ihre Ursache in schlecht gewarteten Elektrowerkzeugen.
- f) **Halten Sie Schneidwerkzeuge scharf und sauber.** Sorgfältig gepflegte Schneidwerkzeuge mit scharfen Schneidkanten verklemmen sich weniger und sind leichter zu führen.
- g) **Verwenden Sie Elektrowerkzeug, Zubehör, Einsatzwerkzeuge usw. entsprechend diesen Anweisungen und so, wie es für diesen speziellen Gerätetyp vorgeschrieben ist. Berücksichtigen Sie dabei die Arbeitsbedingungen und die ausführende Tätigkeit.** Der Gebrauch von Elektrowerkzeugen für andere als die vorgesehenen Anwendungen kann zu gefährlichen Situationen führen.
- h) **Halten Sie Griffe und Greifflächen immer trocken, sauber und frei von Öl und Fett.** Rutschige Griffe und Greifflächen verhindern in unerwarteten Situationen den sicheren Umgang mit dem Werkzeug und die richtige Kontrolle darüber.
- 5) Umgang mit Akkuwerkzeugen**
- a) **Zum Laden ist ausschließlich das vom Hersteller angegebene Ladegerät zu verwenden.** Ein Ladegerät, das für eine Art von Akkus geeignet ist, kann bei Verwendung mit einer anderen Art von Akku Brandgefahr verursachen.
- b) **Elektrowerkzeuge dürfen nur mit speziell dazu bestimmten Akkus verwendet werden,** da bei der Verwendung anderer Akkus Verletzungs- und Brandgefahr entstehen kann.
- c) **Wenn der Akku nicht in Gebrauch ist, ist er von Büroklammern, Münzen, Schlüssel, Nägel, Schrauben und anderen kleinen Metallobjekten fernzuhalten, die eine Verbindung zwischen den Polen bilden können.** Kurzschließen der Pole kann Brand oder Verbrennungen verursachen.
- d) **Bei falschem Umgang mit dem Akku kann Flüssigkeit aus dem Akku austreten. Die Berührung dieser Flüssigkeit ist zu vermeiden. Bei Berührung den betroffenen Körperteil mit Wasser abspülen. Bei Berührung der Flüssigkeit mit den Augen muss zusätzlich ärztliche Hilfe gerufen werden.** Die Akkuflüssigkeit kann Reizungen oder Verbrennungen verursachen.
- e) **Verwenden Sie keinesfalls Akkus und Werkzeuge, die beschädigt oder verändert wurden.** Beschädigte oder veränderte Akkus können ein unvorhersehbares Verhalten zeigen, das zu Feuer, Explosionen oder Verletzungsgefahren führt.
- f) **Setzen Sie Akkus oder Werkzeuge keinem Feuer oder übermäßigen Temperaturen aus.** Feuer oder Temperaturen über 130 °C können zu Explosionen führen. HINWEIS: Die Temperaturangabe „130 °C“ kann durch die Temperaturangabe „265 °F“ ersetzt werden.
- g) **Beachten Sie alle Hinweise zum Aufladen und laden Sie Akkus oder Werkzeuge nicht außerhalb der in der Anleitung angegebenen Temperaturbereiche auf.** Unsachgemäßes Aufladen oder Aufladen bei Temperaturen außerhalb des angegebenen Bereichs kann den Akku schädigen und die Brandgefahr erhöhen.
- 6) Service**
- a) **Lassen Sie Ihre Werkzeuge durch einen qualifizierten Reparaturtechniker ausschließlich mit identischen Ersatzteilen warten.** So lässt sich eine gleich bleibende Sicherheit des Elektrowerkzeugs gewährleisten.
- b) **Beschädigte Akkus dürfen keinesfalls gewartet werden.** Die Wartung von Akkus darf nur vom Hersteller oder von Vertragswerkstätten durchgeführt werden
- ZUSÄTZLICHE SICHERHEITSHINWEISE**
- **Gehrungskappsägen sind zum Schneiden von Holz oder holzartigen Produkten vorgesehen, sie können nicht zum Schneiden von Eisenwerkstoffen wie Stäben, Stangen, Schrauben usw. verwendet werden.** Abrasiver Staub führt zum Blockieren von beweglichen Teilen wie der unteren Schutzhaube. Schneidfunken verbrennen die untere Schutzhaube, die Einlegeplatte und andere Kunststoffteile.
  - **Fixieren Sie das Werkstück nach Möglichkeit mit Zwingen. Wenn Sie das Werkstück mit der Hand festhalten, müssen Sie Ihre Hand immer mindestens 100 mm von jeder Seite des Sä-**

geblatts entfernt halten. **Verwenden Sie diese Säge nicht zum Schneiden von Stücken, die zu klein sind, um sie einzuspannen oder mit der Hand zu halten.** Wenn Ihre Hand zu nahe am Sägeblatt ist, besteht ein erhöhtes Verletzungsrisiko durch Kontakt mit dem Sägeblatt.

- **Das Werkstück muss unbeweglich sein und entweder festgespannt oder gegen den Anschlag und den Tisch gedrückt werden. Schieben Sie das Werkstück nicht in das Sägeblatt, und schneiden Sie nie „freihändig“.** Lose oder sich bewegende Werkstücke könnten mit hoher Geschwindigkeit herausgeschleudert werden und zu Verletzungen führen.
- **Schieben Sie die Säge durch das Werkstück. Vermeiden Sie es, die Säge durch das Werkstück zu ziehen. Für einen Schnitt heben Sie den Sägekopf und ziehen ihn über das Werkstück, ohne zu schneiden. Dann schalten Sie den Motor ein, schwenken den Sägekopf nach unten und drücken die Säge durch das Werkstück.** Bei ziehendem Schnitt besteht die Gefahr, dass das Sägeblatt am Werkstück aufsteigt und die Sägeblatteinheit dem Bediener gewaltsam entgegen geschleudert wird.
- **Kreuzen Sie nie die Hand über die vorgesehene Schnittlinie, weder vor noch hinter dem Sägeblatt.** Abstützen des Werkstücks „mit gekreuzten Händen“, d.h. Halten des Werkstücks rechts neben dem Sägeblatt mit der linken Hand oder umgekehrt, ist sehr gefährlich.
- **Greifen Sie bei rotierendem Sägeblatt nicht hinter den Anschlag. Unterschreiten Sie nie einen Sicherheitsabstand von 100mm zwischen Hand und rotierendem Sägeblatt (gilt auf beiden Seiten des Sägeblatts, z.B. beim Entfernen von Holzabfällen).** Die Nähe des rotierenden Sägeblatts zu Ihrer Hand ist möglicherweise nicht erkennbar, und Sie können schwer verletzt werden.
- **Prüfen Sie das Werkstück vor dem Schneiden. Wenn das Werkstück gebogen oder verzogen ist, spannen Sie es mit der nach außen gekrümmten Seite zum Anschlag. Stellen Sie immer sicher, dass entlang der Schnittlinie kein Spalt zwischen Werkstück, Anschlag und Tisch ist.** Gebogene oder verzogene Werkstücke können sich verdrehen oder verlagern und ein Klemmen des rotierenden Sägeblatts beim Schneiden verursachen. Es dürfen keine Nägel oder Fremdkörper im Werkstück sein.
- **Verwenden Sie die Säge erst, wenn der Tisch frei von Werkzeugen, Holzabfällen usw. ist; nur das Werkstück darf sich auf dem Tisch**

**befinden.** Kleine Abfälle, lose Holzstücke oder andere Gegenstände, die mit dem rotierenden Blatt in Berührung kommen, können mit hoher Geschwindigkeit weggeschleudert werden.

- **Schneiden Sie jeweils nur ein Werkstück.** Mehrfach gestapelte Werkstücke lassen sich nicht angemessen spannen oder festhalten und können beim Sägen ein Klemmen des Blatts verursachen oder verrutschen.
- **Sorgen Sie dafür, dass die Gehrungskappsäge vor Gebrauch auf einer ebenen, festen Arbeitsfläche steht.** Eine ebene und feste Arbeitsfläche verringert die Gefahr, dass die Gehrungskappsäge instabil wird.
- **Planen Sie Ihre Arbeit. Achten Sie bei jedem Verstellen der Sägeblattneigung oder des Gehrungswinkels darauf, dass der verstellbare Anschlag richtig justiert ist und das Werkstück abstützt, ohne mit dem Blatt oder der Schutzhaube in Berührung zu kommen.** Ohne die Maschine einzuschalten und ohne Werkstück auf dem Tisch ist eine vollständige Schnittbewegung des Sägeblatts zu simulieren, um sicherzustellen, dass es nicht zu Behinderungen oder der Gefahr des Schneidens in den Anschlag kommt.
- **Sorgen Sie bei Werkstücken, die breiter oder länger als die Tischoberseite sind, für eine angemessene Abstützung, z.B. durch Tischverlängerungen oder Sägeböcke.** Werkstücke, die länger oder breiter als der Tisch der Gehrungskappsäge sind, können kippen, wenn sie nicht fest abgestützt sind. Wenn ein abgeschnittenes Stück Holz oder das Werkstück kippt, kann es die untere Schutzhaube anheben oder unkontrolliert vom rotierenden Blatt weggeschleudert werden.
- **Ziehen Sie keine anderen Personen als Ersatz für eine Tischverlängerung oder zur zusätzlichen Abstützung heran.** Eine instabile Abstützung des Werkstücks kann zum Klemmen des Blatts führen. Auch kann sich das Werkstück während des Schnitts verschieben und Sie und den Helfer in das rotierende Blatt ziehen.
- **Das abgeschnittene Stück darf nicht gegen das rotierende Sägeblatt gedrückt werden.** Wenn wenig Platz ist, z.B. bei Verwendung von Längsanschlägen, kann sich das abgeschnittene Stück mit dem Blatt verkeilen und gewaltsam weggeschleudert werden.
- **Verwenden Sie immer eine Zwinde oder eine geeignete Vorrichtung, um Rundmaterial wie Stangen oder Rohre ordnungsgemäß abzustützen.** Stangen neigen beim Schneiden zum

Wegrollen, wodurch sich das Blatt „festbeißen“ und das Werkstück mit Ihrer Hand in das Blatt gezogen werden kann.

- **Lassen Sie das Blatt die volle Drehzahl erreichen, bevor Sie in das Werkstück schneiden.** Dies verringert das Risiko, dass das Werkstück fortgeschleudert wird.
- **Wenn das Werkstück eingeklemmt wird oder das Blatt blockiert, schalten Sie die Gehrungskappsäge aus. Warten Sie, bis alle beweglichen Teile zum Stillstand gekommen sind, ziehen Sie den Netzstecker und/oder nehmen Sie den Akku heraus. Entfernen Sie anschließend das eingeklemmte Material.** Wenn Sie bei einer solchen Blockierung weitersägen, kann es zum Verlust der Kontrolle oder zu Beschädigungen der Gehrungskappsäge kommen.
- **Lassen Sie nach beendetem Schnitt den Schalter los, halten Sie den Sägekopf unten und warten Sie den Stillstand des Blatts ab, bevor Sie das abgeschnittene Stück entfernen.** Es ist sehr gefährlich, mit der Hand in die Nähe des auslaufenden Blatts zu reichen.
- **Halten Sie den Handgriff gut fest, wenn Sie einen unvollständigen Sägeschnitt ausführen oder wenn Sie den Schalter loslassen, bevor der Sägekopf seine untere Lage erreicht hat.** Durch die Bremswirkung der Säge kann der Sägekopf ruckartig nach unten gezogen werden und dadurch zu einem Verletzungsrisiko führen.
- **Halten Sie Ihren Arbeitsplatz sauber.** Materialmischungen sind besonders gefährlich. Leichtmetallstaub kann brennen oder explodieren.
- **Verwenden Sie keine stumpfen, rissigen, verbogenen oder beschädigten Sägeblätter. Sägeblätter mit stumpfen oder falsch ausgerichteten Zähnen verursachen durch einen zu engen Sägespalt eine erhöhte Reibung, Klemmen des Sägeblattes und Rückschlag.**
- **Verwenden Sie keine Sägeblätter aus hochlegiertem Schnellarbeitsstahl (HSS-Stahl).** Solche Sägeblätter können leicht brechen.
- **Verwenden Sie immer Sägeblätter in der richtigen Größe und mit passender Aufnahmebohrung (z.B. rautenförmig oder rund).** Sägeblätter, die nicht zu den Montageteilen der Säge passen, laufen unrund und führen zum Verlust der Kontrolle.
- **Tauschen Sie den eingebauten Laser nicht gegen einen Laser anderen Typs aus.** Von einem nicht zu diesem Elektrowerkzeug passenden Laser können Gefahren für Personen ausgehen.
- **Entfernen Sie niemals Schnittreste, Holzspäne**

**o.ä. aus dem Schnittbereich, während das Elektrowerkzeug läuft.** Führen Sie den Werkzeugarm immer zuerst in die Ruheposition und schalten Sie das Elektrowerkzeug aus.

- **Fassen Sie das Sägeblatt nach dem Arbeiten nicht an, bevor es abgekühlt ist.** Das Sägeblatt wird beim Arbeiten sehr heiß.
- **Machen Sie Warnschilder am Elektrowerkzeug niemals unkenntlich.**
- **Falls Laserstrahlung ins Auge trifft, sind die Augen bewusst zu schließen und der Kopf sofort aus dem Strahl zu bewegen.**
- **Verwenden Sie keine optisch sammelnden Instrumenten wie Fernglas usw. zur Betrachtung der Strahlungsquelle.** Sie können damit ihr Auge schädigen.
- **Richten Sie den Laserstrahl nicht auf Personen, die durch ein Fernglas oder ähnliches blicken.** Sie können damit deren Auge schädigen.
- **Nehmen Sie keine Änderungen an der Lasereinrichtung vor.** Die in dieser Betriebsanleitung beschriebenen Einstellmöglichkeiten können Sie gefahrlos nutzen.
- **Stehen Sie nicht in direkter Linie mit dem Sägeblatt vor dem Elektrowerkzeug.** Stellen Sie sich immer neben das Sägeblatt. So schützen Sie Ihren Körper vor einem möglichen Rückschlag.
- **Halten Sie Hände, Finger und Arme von dem rotierenden Sägeblatt fern.**
- **Greifen Sie nicht mit einer Hand über die andere, wenn Sie sich vor dem Werkzeugarm befinden.**
- **Vermeiden Sie eine Überhitzung der Sägezähne. Stoppen Sie die Maschine, wenn das Sägeblatt überhitzt.** Lassen Sie das Sägeblatt abkühlen, bevor Sie die Maschine erneut verwenden.
- **Ersetzen Sie beschädigte oder abgenutzte Sägeblätter sofort.**
- **Verwenden Sie nur Sägeblätter, die den Angaben in dieser Betriebsanleitung entsprechen und nach EN 847-1 geprüft und gekennzeichnet wurden.**
- **Beim Sägen von gekrümmten oder runden Werkstücken müssen diese besonders gegen Verrutschen gesichert werden. An der Schnittlinie darf sich zwischen Werkstück, Anschlag und Säge Tisch kein Spalt befinden.** Falls erforderlich, sind spezielle Befestigungsvorrichtungen herzustellen.

#### Elektrische Sicherheit



*Achten Sie stets darauf, dass die Spannung der Stromversorgung mit der Spannung auf dem Typenschild übereinstimmt.*

- Verwenden Sie die Maschine nicht, wenn das Netzkabel oder der Netzstecker beschädigt ist.
- Verwenden Sie nur Verlängerungskabel, die für die Leistungsaufnahme der Maschine geeignet sind und eine Mindestaderstärke von 1,5 mm<sup>2</sup> haben. Falls Sie eine Kabeltrommel verwenden, rollen Sie das Kabel immer vollständig ab.

## 2. ANGABEN ZUM WERKZEUG

### Verwendungszweck

Dieses Werkzeug ist als stationäre Maschine vorgesehen, um gerade Holzschnitte mit und gegen die Faser in Längs- und Querrichtung zu schneiden. Es können Gehrungswinkel von -45° bis +45° und Schrägwinkel von -0° bis +45° geschnitten werden. Das Elektrowerkzeug mit dem montierten Sägeblatt verfügt über ausreichende Kapazität zum Sägen von Hart- und Nadelholz sowie von Span- und Faserplatten. Das Sägeblatt ist nicht zum Sägen von Brennholz ausgelegt. Verwenden Sie die Säge nicht, um andere als die in dieser Anleitung genannten Materialien zu schneiden.

### TECHNISCHE DATEN

<b>Modellnummer</b>	<b>MS502AC</b>
Netzspannung	220-240V~
Frequenz	50 Hz
Leistung	2000W
Leerlaufdrehzahl	4500/min
Winkel für Gehrungsschnitt	-45° <> +45°
Winkel für Schrägschnitt	-45° <> 0° nur links
Sägeblatt-Spezifikationen:	
Durchmesser	Ø 254 mm
Stammblattdicke	1,6 mm
Schnittbreite	2,8 mm
Bohrungsdurchmesser	Ø 30 mm
Zähnezahl	60T
Max. Sägekapazität (Höhe x Breite):	
Gehrungsschnitt 0° -	90 x 340 mm
Schrägschnitt 0°	
Gehrungsschnitt 45° -	45 x 340 mm
Schrägschnitt 45°	
Gehrungsschnitt 45° -	90 x 240 mm
Schrägschnitt 0°	
Gehrungsschnitt 45° -	45 x 240 mm
Schrägschnitt 45°	
Minimale Werkstückabmessungen	3 x 10 mm

Laser-Spezifikationen:	
Klasse	2
Wellenlänge	650 nm
Leistung	< 1 mW
Gewicht	14,3 kg
Lpa (Schalldruck)	97,2 +3 dB(A)
Lwa (Schalleistung)	110,2 +3 dB(A)
Schwingung	<2,5 m/s <sup>2</sup>

### Vibrationsintensität

Die in dieser Bedienungsanleitung angegebene Vibrationsintensität wurde mit einem standardisierten Test gemäß EN60745 gemessen. Anhand dieser Größe können Werkzeuge miteinander verglichen werden. Außerdem eignet sich diese Größe für eine erste Beurteilung der Vibrationsbelastung bei Verwendung des Werkzeugs für die angegebenen Anwendungszwecke.

- Bei Verwendung des Werkzeugs für andere Anwendungen oder mit anderem oder unzureichend gewartetem Zubehör kann sich die Vibrationsbelastung erheblich erhöhen.
- Wenn das Werkzeug ausgeschaltet ist, oder wenn es eingeschaltet ist, jedoch nicht genutzt wird, kann sich die Vibrationsbelastung erheblich verringern.

Schützen Sie sich vor den Auswirkungen der Vibration durch Wartung des Werkzeugs und des Zubehörs, halten Sie Ihre Hände warm, und organisieren Sie Ihren Arbeitsablauf.

### BESCHREIBUNG

Die Buchstaben und Ziffern im folgenden Text weisen auf die Abbildungen auf den Seiten 2 bis 6.

1. Ausschalter
2. Griff
3. Ein-/Ausschalter
4. Schutzabdeckung
5. Zurückziehbare Schutzabdeckung
6. Sägeblatt
7. Verstellbarer Anschlag
8. Längenanschlag
9. Anschlag
10. Tischverlängerung
11. Tisch
12. Montagelöcher
13. Schlitzplatte
14. Knopf für die Gehrungseinstellung
15. Hebel für die Gehrungseinstellung



16. Skala für den Gehrungswinkel
17. Indikator für den Gehrungswinkel
18. Laser
19. Indikator für den Schrägwinkel
20. Skala für den Schrägwinkel
21. Werkstückklemme
22. Knopf für die Schrägeinstellung
23. Rolle
24. Tiefeneinstellschraube
25. Gleitschienen
26. Staubbeutel
27. Tragegriff
28. Staubauslass
29. Sicherungsschraube für die Gleitschienen
30. Hinterer Kippschutz
31. Anschlagsschraube für den 45°-Schrägwinkel
32. Anschlagsschraube für den 0°-Schrägwinkel
33. Sicherungsschraube für die Werkstückklemme
34. Sicherungsschraube für die Tischverlängerung
35. Sicherungsschraube für den verstellbaren Anschlag
36. Einstellschraube für den Anschlag
37. Vorderer Kippschutz
38. Positionsverriegelungsknopf
39. Madenschraube
40. Halteschraube
41. Klemmflansch
42. Klemmschraube
43. Spindelverriegelung
44. Knopf für die Werkstückklemme
45. Rändelmutter zur Tiefeneinstellung
46. LED-Arbeitsleuchte
47. Laserabdeckungsschrauben
48. Schrauben zur Lasereinstellung
49. Sicherungsmutter für den 45°-Schrägwinkel
50. Sicherungsmutter für den 0°-Schrägwinkel
51. Anschlagsschrauben

### 3. MONTAGE



*Schalten Sie die Maschine vor der Montage aus und ziehen Sie den Netzstecker aus der Steckdose.*

#### Transportposition (Abb. B, C)

Der Positionsverriegelungsknopf (38) erleichtert das Bewegen des Elektrowerkzeugs beim Transport zu verschiedenen Arbeitsorten.

#### Entriegeln der Transportposition (Arbeitsposition)

1. Drücken Sie den Griff (2) etwas nach unten;

2. Ziehen Sie den Positionsverriegelungsknopf (38) ganz nach außen und arretieren Sie ihn durch Drehen;
3. Bewegen Sie den Griff (2) langsam nach oben.

#### Verriegeln der Transportposition (Transportposition)

Vergewissern Sie sich vor dem Verriegeln in der Transportposition, dass die Tiefeneinstellschraube (24) auf unbegrenzte Tiefe eingestellt ist. Auf diese Weise kann der Griff (2) vollständig nach unten bewegt werden, ohne den Tiefenanschlag zu berühren. Nehmen Sie außerdem alle Zubehörteile ab, die nicht sicher an der Maschine befestigt werden können.

1. Lösen Sie die Sicherungsschraube für die Gleitschienen (29), wenn sie festgezogen ist;
2. Ziehen Sie den Griff (2) nach vorne und drehen Sie die Sicherungsschraube für die Gleitschienen (29) fest;
3. Drücken Sie den Griff (2) ganz nach unten;
4. Verriegeln Sie den Positionsverriegelungsknopf (38), indem Sie ihn zuerst ziehen und dann drehen;
5. Wickeln Sie das Netzkabel auf und binden Sie es mit dem mitgelieferten Kabelbinder zusammen.

Verwenden Sie nach dem Verriegeln der Transportposition den Tragegriff (27), um die Maschine sicher zu tragen und zu transportieren.



*Verwenden Sie zum Transportieren der Maschine nur den Tragegriff und niemals die Schutzabdeckungen.*

#### Aufbau einer stationären Maschine (Abb. A, B, D)

Zur Gewährleistung einer sicheren Handhabung muss das Elektrowerkzeug auf einer flachen, stabilen Arbeitsfläche montiert werden (z. B. auf einer Werkbank). Sie können die Maschine auf drei Arten aufbauen:

##### 1. Auf einer Werkbank

In diesem Fall muss die Maschine mit geeigneten Schraubverbindungen an der Werkbank befestigt werden. Verwenden Sie dazu die vier Löcher (12). Wie in Abb. D

## 2. Auf einem Untergestell



Lesen Sie alle Warnhinweise und Anweisungen, die dem Sägegestell beiliegen. Die Nichtbeachtung der Warnungen und Anweisungen kann in einem Stromschlag, Brand und/oder in schweren Verletzungen resultieren.



Montieren Sie das Sägegestell ordnungsgemäß, bevor Sie das Elektrowerkzeug daran befestigen. Eine korrekte Montage ist wichtig, um das Risiko eines Zusammenbruchs zu vermeiden.

In diesem Fall muss die Maschine mit Schrauben am Untergestell befestigt werden. Verwenden Sie dazu die vier Löcher (12). Das Untergestell muss mit 4 Schrauben an einer Bodenplatte mit einer Größe von mindestens 1 Quadratmeter befestigt werden. Montieren Sie das Elektrowerkzeug in der Transportposition auf dem Sägegestell.

## 3. Flexible Installation



Diese Art der Installation wird vom Hersteller nicht empfohlen.

Wenn es in Ausnahmefällen nicht möglich ist, das Elektrowerkzeug auf einer ebenen und stabilen Arbeitsfläche zu montieren, können Sie improvisieren und es zusammen mit den Kippschutzvorrichtungen aufbauen.



Ohne den Kippschutz ist das Elektrowerkzeug nicht stabil und kann insbesondere beim Sägen maximaler Gehrungs- bzw. Schrägwinkel umkippen.

- Lösen Sie die Madenschraube (39) mit Hilfe eines Sechskantschlüssels. Schieben Sie den hinteren Kippschutz (30) vollständig nach außen, wie in Abbildung E1 und E2 gezeigt. Ziehen Sie jetzt die Madenschraube (39) wieder fest.
- Drehen Sie den vorderen Kippschutz (37) wie in Abbildung F gezeigt nach innen oder außen, bis das Elektrowerkzeug waagrecht auf der Arbeitsfläche steht.

## Überprüfen der Schutzabdeckung (Abb. A)

Die zurückziehbare Schutzabdeckung (5) schützt vor versehentlichem Kontakt mit dem Sägeblatt und vor herumfliegenden Sägespänen. Vor der Verwendung muss geprüft werden, ob der Sägeblattschutz ordnungsgemäß funktioniert. Ziehen Sie dazu den Griff (2) nach unten und prüfen Sie Folgendes:

- Die zurückziehbare Schutzabdeckung (5) muss Zugang zum Sägeblatt (6) bieten, ohne mit anderen Teilen in Berührung zu kommen.
- Beim Hochklappen der Säge in die Startposition muss die zurückziehbare Schutzabdeckung (5) das gesamte Sägeblatt (6) automatisch abdecken.

## Wechseln des Sägeblatts (Abb. G)



Ziehen Sie vor allen Arbeiten an der Maschine den Netzstecker aus der Steckdose.



Tragen Sie beim Anbringen des Sägeblatts Schutzhandschuhe. Verletzungsgefahr beim Berühren des Sägeblattes.



Verwenden Sie nur Sägeblätter, die den Kenndaten in der Betriebsanleitung entsprechen. Verwenden Sie nur Sägeblätter, deren Geschwindigkeit größer oder gleich der auf der Maschine angegebenen Geschwindigkeit ist.



Verwenden Sie auf keinen Fall Schleifscheiben als Schneidwerkzeug.

Es wird dringend empfohlen, vor dem Wechseln des Sägeblatts den Gehrungswinkel und den Schrägwinkel auf 0° einzustellen. Anderenfalls könnte der Zugriff eingeschränkt sein.

## Abnehmen des Sägeblatts

1. Verriegeln Sie die Säge so, dass der Positionsverriegelungsknopf (38) nach oben zeigt;
2. Lösen Sie die Halteschraube (40) mit einem Kreuzschlitzschraubendreher wie in Abbildung G1 gezeigt. ACHTUNG! Entfernen Sie die Halteschraube (40) nicht vollständig, sondern lockern Sie sie nur.
3. Klappen Sie die zurückziehbare Schutzabdeckung (5) nach oben, bis die Klemmschraube (42) frei zugänglich ist, siehe Abbildung G2;
4. Stecken Sie den Inbusschlüssel in die Klemmschraube (42). Die zurückziehbare Schutz-

zabdeckung (5) kann losgelassen werden, sie klappt dann auf den Inbusschlüssel um.

5. Drehen Sie die Klemmschraube (42) mit dem Inbusschlüssel (34) und drücken Sie gleichzeitig die Spindelverriegelung (43), bis sie einrastet.
6. Halten Sie die Spindelverriegelung (43) fest und lösen Sie die Klemmschraube (42), indem Sie sie im Uhrzeigersinn drehen (Linksgewinde).
7. Entfernen Sie die Klemmschraube (42) und Klemmflansch (41). Danach kann das Sägeblatt (6) entfernt werden.

Anbringen des Sägeblatts



*Achten Sie bei der Montage des Sägeblatts darauf, dass die Schnittrichtung der Zähne (Pfeilrichtung auf dem Sägeblatt) mit der Pfeilrichtung auf der Schutzabdeckung (4) übereinstimmt.*



*Prüfen Sie beim Einsetzen des Sägeblatts (6), ob es sich in der Schnittfugenplatte (13) frei zu den Winkeleinstellungen von 0° und 45° drehen kann.*

1. Säubern Sie das Sägeblatt und alle zu montierenden Teile.
2. Lösen Sie die Halteschraube (40) mit einem Kreuzschlitzschraubendreher wie in Abbildung G1 gezeigt. ACHTUNG! Entfernen Sie die Halteschraube (40) nicht vollständig, sondern lockern Sie sie nur.
3. Klappen Sie die zurückziehbare Schutzabdeckung (5) nach oben, bis die Klemmschraube (42) frei zugänglich ist, siehe Abbildung G2;
4. Stecken Sie den Inbusschlüssel in die Klemmschraube (42). Die zurückziehbare Schutzabdeckung (5) kann losgelassen werden, sie klappt dann auf den Inbusschlüssel um.
5. Montieren Sie den Klemmflansch (41). Stellen Sie sicher, dass die flachen Seiten des Klemmflansches mit den flachen Seiten der Sägeblattwelle übereinstimmen. Stellen Sie außerdem sicher, dass der Klemmflansch mit der konvexen Seite nach außen montiert ist.
6. Montieren Sie die Klemmschraube (42) und drehen Sie sie mit dem Inbusschlüssel, während Sie gleichzeitig die Spindelverriegelung (43) drücken, bis sie einrastet.
7. Halten Sie die Spindelverriegelung (43) fest und ziehen Sie die Klemmschraube (42) durch Drehen gegen den Uhrzeigersinn fest.

**Staubabsaugung (Abb. A, B, W, X)**



*Für eine gute Belüftung des Arbeitsplatzes sorgen.*



*Stets Atemschutz tragen.*

Der Staub von Materialien wie Bleifarbe und einigen Holzarten kann gesundheitsschädlich sein. Das Einatmen dieses Staubes kann allergische Reaktionen hervorrufen und/oder beim Benutzer oder bei Umstehenden Atemwegserkrankungen verursachen. Bestimmte Stäube wie Eichen- oder Buchenstaub sind als krebserregend eingestuft, insbesondere in Verbindung mit Holzbehandlungszusätzen (Chromat, Holzschutzmittel). Es wird dringend empfohlen, nach Möglichkeit stets ein für das Material geeignetes Staubabsaugsystem zu verwenden.



*Staubansammlung am Arbeitsplatz vermeiden. Staub kann sich leicht entzünden.*

Die Staubabsaugvorrichtung kann durch Staub, Späne oder Bruchstücke des Werkstücks blockiert werden. Daher muss sie regelmäßig gereinigt werden. Gehen Sie dazu wie folgt vor:

1. Trennen Sie den Netzstecker des Geräts von der Stromversorgung.
2. Warten Sie, bis das Sägeblatt vollständig zum Stillstand gekommen ist.
3. Beseitigen Sie eventuell vorhandene Blockierungen.

**Anbringen des Staubbeutel (Fig. W)**

Drücken Sie die Klemme des Staubbeutels (26) hinein und schieben Sie sie in den Staubauslass (28) an der Rückseite der Maschine. Der Staubbeutel bleibt beim Lösen der Klemme in seiner Position.

**Anschließen eines Staubsaugers (Fig. X)**



*Der Staubsauger muss für das zu bearbeitende Material geeignet sein.*



*Verwenden Sie beim Staubsaugen von besonders gesundheits- oder krebserregendem trockenem Staub einen speziellen Staubabscheider.*

Ein Staubsaugerschlauch kann an den Staubauslass (28) angeschlossen werden. Verbinden Sie dazu einfach den Staubsaugerschlauch mit dem Staubabsaugstutzen.

## 4. BETRIEB



*Vor dem Einschalten der Maschine immer überprüfen, ob das Sägeblatt korrekt montiert ist. Das Sägeblatt muss sich leicht drehen lassen.*



*Vor dem Gebrauch immer die Schutzabdeckungen überprüfen.*



*Bei allen Schnitten muss zunächst sichergestellt werden, dass das Sägeblatt zu keinem Zeitpunkt mit dem Anschlag, der Werkstückklemme oder anderen Maschinenteilen in Kontakt kommen kann. Eventuell montierte Zusatzanschlätze müssen entfernt oder entsprechend eingestellt werden.*

### Abstützung des Werkstücks (Abb. H)

Werkstücke müssen immer richtig abgestützt werden. Die Tischverlängerungen (10) können nach links und rechts ausgefahren werden, um ein Werkstück abzustützen. Gehen Sie dazu wie folgt vor:

1. Lösen Sie die Sicherungsschraube für die Tischverlängerung (34);
2. Bringen Sie die Tischverlängerung (10) in die gewünschte Position;
3. Ziehen Sie die Sicherungsschraube für die Tischverlängerung (34) fest.

Beim Sägen von überlangen Werkstücken muss das freie Ende langer Werkstücke zusätzlich mit Hilfsmitteln unterlegt oder abgestützt werden.

### Einspannen des Werkstücks (Abb. H)

Werkstücke müssen immer fest eingespannt werden. Dazu kann die Werkstückklemme (21) links und rechts vom Werkstück platziert werden. Gehen Sie dazu wie folgt vor:

1. Achten Sie darauf, dass das Werkstück fest gegen den Anschlag (9) gedrückt wird;
2. Setzen Sie die mitgelieferte Werkstückklemme (21) in eine der dafür vorgesehenen Bohrungen ein, siehe Abbildung H;
3. Stellen Sie die Gewindestange der Werkstückklemme (21) auf die Werkstückhöhe ein;
4. Ziehen Sie die Gewindestange der Werkstückklemme (21) fest an, um das Werkstück zu fixieren. Zum Lösen lockern Sie einfach die Gewindestange der Werkstückklemme (21).

Mit dem Knopf für die Werkstückklemme (44) lässt sich die Höhe der Werkstückklemme (21) schneller einstellen. Ziehen Sie nach dem Einstellen der Höhe die Gewindestange der Werkstückklemme (21) immer fest an, um das Werkstück zu fixieren.

### Einstellen des Anschlags (Abb. H)



*Stellen Sie den Anschlag immer auf die jeweilige Schnittart ein.*

Beim Sägen von Gehrungs- bzw. Schrägwinkeln müssen Sie den verstellbaren Anschlag (7) je nach Schnittrichtung verschieben. So wird das Werkstück unter jeder Bedingung immer ordnungsgemäß vom Anschlag gehalten. Gehen Sie dazu wie folgt vor:

1. Lösen Sie die Sicherungsschraube für den verstellbaren Anschlag (35);
2. Stellen Sie den Anschlag entsprechend dem gewünschten Schnitt ein. Bei Gehrungs- oder Geradschnitten muss der Anschlag ohne Berührung mit dem Sägeblatt (max. 8 mm) nach innen bewegt werden. Für Schrägschnitte muss der Anschlag vom Sägeblatt weg bewegt werden (max. 8 mm), ohne dieses zu berühren;
3. Ziehen Sie die Sicherungsschraube für den verstellbaren Anschlag (35) fest;
4. Zur Sicherstellung, dass das Sägeblatt nicht mit dem verstellbaren Anschlag (35) in Kontakt kommt, wird empfohlen, die Bewegung des Sägeblatts zu testen, ohne dabei die Maschine einzuschalten.

### Einstellen des Gehrungswinkels (Abb. A)

Der Gehrungswinkel kann zwischen 45° links und 45° rechts eingestellt werden. Für die schnelle und genaue Einstellung häufig verwendeter Gehrungswinkel stehen auf dem Sägertisch Voreinstellungen bei den Winkeln 0°, 15°, 22,5°, 30° und 45° zur Verfügung.

#### Einstellen des Gehrungswinkels an eine Voreinstellung:

1. Lösen Sie den Knopf für die Gehrungseinstellung (14);
2. Ziehen Sie an dem Hebel für die Gehrungseinstellung (15) und drehen Sie den Tisch (11) nach links oder rechts, um die gewünschte Voreinstellung zu erreichen. Der Winkel kann auf der Skala für den Gehrungswinkel (16) mit dem Indikator für den Gehrungswinkel (17) abgelesen werden.
3. Lassen Sie den Hebel los. Sie müssen dabei spüren, wie der Hebel in die Arretierung der

Voreinstellung eingreift.

- Ziehen Sie den Knopf für die Gehrungseinstellung (14) fest.

#### Einstellen der Gehrung auf einen beliebigen Winkel:

- Lösen Sie den Knopf für die Gehrungseinstellung (14);
- Ziehen Sie an dem Hebel für die Gehrungseinstellung (15) und drehen Sie den Tisch (11) nach links oder rechts, um die gewünschte Position zu erreichen. Der Winkel kann auf der Skala für den Gehrungswinkel (16) mit dem Indikator für den Gehrungswinkel (17) abgelesen werden.
- Lassen Sie den Hebel los und ziehen Sie den Knopf für die Gehrungseinstellung fest (14).

#### **Einstellen des Schrägwinkels (Abb. A, B)**

Der Schrägwinkel kann zwischen 0° und +45° zur linken Seite eingestellt werden. Gehen Sie dazu wie folgt vor:

- Lösen Sie den Einstellknopf für die Schrägeinstellung (22);
- Kippen Sie die Säge mit Hilfe des Griffs (2), bis der Indikator (19) auf der Skala für den Schrägwinkel (20) die gewünschte Position anzeigt;
- Ziehen Sie den Einstellknopf für die Schrägeinstellung (22) fest.

#### **Ein-/Ausschalten der Maschine (Abb. A)**

- Um die Maschine zu starten, halten Sie die Lock-Off-Taste (1) gedrückt und drücken den Ein-/Ausschalter (3).
- Um die Maschine anzuhalten, lassen Sie den Ein-/Ausschalter (3) los.

#### **Durchführung von Kreuzschnitten (Abb. I, J)**

Befolgen Sie diese Schritte, um senkrecht zur Holzmaserung zu schneiden:

- Stellen Sie Gehrungswinkel und Schrägwinkel auf 0° ein;
- Bringen Sie den verstellbaren Anschlag in die innere Position in Richtung des Sägeblatts. Der maximale Abstand zwischen dem einstellbaren Anschlag (35) und dem Sägeblatt (6) beträgt 8 mm, siehe Abbildung J. Achten Sie darauf, dass der Anschlag das Sägeblatt nicht berührt.
- Spannen Sie das Werkstück gut fest;
- Schalten Sie die Maschine ein. Warten Sie, bis das Sägeblatt die volle Drehzahl erreicht hat;
- Bewegen Sie nun den Griff langsam nach unten,

so dass das Sägeblatt das Werkstück durchschneidet und durch den Schlitz im Tisch läuft.

Üben Sie dabei keinen übermäßigen Druck auf die Säge aus, sondern lassen Sie die Maschine die Arbeit verrichten;

- Heben Sie den Griff vorsichtig wieder hoch und schalten Sie die Maschine aus, indem Sie den Schalter loslassen.

#### **Durchführung von Gehrungsschnitten (Abb. J, K)**

Befolgen Sie diese Schritte, um einen abgewinkelten Schnitt an der Holzoberfläche vorzunehmen:

- Stellen Sie den Gehrungswinkel auf die gewünschte Position und den Schrägwinkel auf 0° ein;
- Bringen Sie den verstellbaren Anschlag in die innere Position in Richtung des Sägeblatts. Der maximale Abstand zwischen dem einstellbaren Anschlag (35) und dem Sägeblatt (6) beträgt 8 mm, siehe Abbildung J. Achten Sie darauf, dass der Anschlag das Sägeblatt nicht berührt.
- Spannen Sie das Werkstück gut fest;
- Schalten Sie die Maschine ein. Warten Sie, bis das Sägeblatt die volle Drehzahl erreicht hat;
- Bewegen Sie nun den Griff langsam nach unten, so dass das Sägeblatt das Werkstück durchschneidet und durch den Schlitz im Tisch läuft. Üben Sie dabei keinen übermäßigen Druck auf die Säge aus, sondern lassen Sie die Maschine die Arbeit verrichten;
- Heben Sie den Griff vorsichtig wieder hoch und schalten Sie die Maschine aus, indem Sie den Schalter loslassen.

#### **Durchführung von Schrägschnitten (Abb. L, M)**

Befolgen Sie diese Schritte, um einen abgewinkelten Schnitt an der Kante des Holzes vorzunehmen:

- Stellen Sie den Gehrungswinkel auf 0° und den Schrägwinkel auf die gewünschte Position ein;
- Bringen Sie den verstellbaren Anschlag in die äußere Position, weg vom Sägeblatt. Der maximale Abstand zwischen dem einstellbaren Anschlag (35) und dem Sägeblatt (6) beträgt 8 mm, siehe Abbildung M. Achten Sie darauf, dass der Anschlag das Sägeblatt nicht berührt.
- Spannen Sie das Werkstück gut fest. Achten Sie darauf, dass sich die Werkstückklemme auf der rechten Seite befindet;
- Schalten Sie die Maschine ein. Warten Sie, bis das Sägeblatt die volle Drehzahl erreicht hat;
- Bewegen Sie nun den Griff langsam nach unten, so dass das Sägeblatt das Werkstück durchsch-

neidet und durch den Schlitz im Tisch läuft.

Üben Sie dabei keinen übermäßigen Druck auf die Säge aus, sondern lassen Sie die Maschine die Arbeit verrichten;

6. Heben Sie den Griff vorsichtig wieder hoch und schalten Sie die Maschine aus, indem Sie den Schalter loslassen.

#### Durchführung von Verbindungsschnitten (Abb. M, N)

Befolgen Sie diese Schritte, um eine Kombination aus Gehrungs- und Schrägschnitt zu erstellen:

1. Stellen Sie Gehrungswinkel und Schrägwinkel auf die gewünschte Position ein;
2. Bringen Sie den verstellbaren Anschlag in die äußere Position, weg vom Sägeblatt. Der maximale Abstand zwischen dem einstellbaren Anschlag (35) und dem Sägeblatt (6) beträgt 8 mm, siehe Abbildung M. Achten Sie darauf, dass der Anschlag das Sägeblatt nicht berührt.
3. Spannen Sie das Werkstück gut fest. Achten Sie darauf, dass sich die Werkstückklemme auf der rechten Seite befindet;
4. Schalten Sie die Maschine ein. Warten Sie, bis das Sägeblatt die volle Drehzahl erreicht hat;
5. Bewegen Sie nun den Griff langsam nach unten, so dass das Sägeblatt das Werkstück durchschneidet und durch den Schlitz im Tisch läuft. Üben Sie dabei keinen übermäßigen Druck auf die Säge aus, sondern lassen Sie die Maschine die Arbeit verrichten;
6. Heben Sie den Griff vorsichtig wieder hoch und schalten Sie die Maschine aus, indem Sie den Schalter loslassen.

#### Verwenden der Schiebefunktion

Für besonders breite Werkstücke ist diese Maschine mit einer Schiebefunktion ausgestattet. Lösen Sie zur Verwendung der Schiebefunktion die Sicherungsschraube für die Gleitschienen (29). Ziehen Sie den Griff (2) vom Anschlag (9) weg, bis sich das Sägeblatt vor dem Werkstück befindet. Führen Sie den Werkzeugarm langsam mit dem Griff nach unten, drücken Sie anschließend den Griff (2) in Richtung Anschlag (9) und sägen Sie das Werkstück mit gleichmäßigem Vorschub durch.

Bei kleinen Werkstücken ist es möglich, die Schiebefunktion in der hinteren Position der Säge mit der Sicherungsschraube für die Gleitschienen (29) zu fixieren. Wenn mehr Schnittbreite gewünscht wird, muss die Sicherungsschraube für die Gleitschienen (29) gelöst werden.

#### Verwenden des Längenschlags (Abb. O)

Wenn der Längenschlag (8) sowohl an der linken als auch an der rechten Tischverlängerung (10) anliegt, können Werkstücke einfach auf die gleiche Länge gesägt werden.

1. Bewegen Sie dazu den Längenschlag (8) nach oben;
2. Lösen Sie die Sicherungsschraube für die Tischverlängerung (34);
3. Stellen Sie die Tischverlängerung (10) auf die gewünschte Länge ein.
4. Ziehen Sie die Sicherungsschraube für die Tischverlängerung (34) fest.

#### Einstellen des Tiefenschlags (Abb. P)

Sie können den Tiefenschlag einstellen, um so die Schnitttiefe zu begrenzen. Das vereinfacht das Sägen einer Nut. Gehen Sie dazu wie folgt vor:

1. Lösen Sie die Rändelmutter für die Tiefeneinstellung (45);
2. Stellen Sie den Knopf für die Tiefeneinstellung (24) auf die gewünschte Tiefe ein;
3. Ziehen Sie die Rändelmutter für die Tiefeneinstellung fest (45).

#### Ein- und Ausschalten des Lasers (Abb. B)

Drücken Sie den Laser-Schalter (46), um den Laser ein- oder auszuschalten. Der Laser-Schalter (46) schaltet auch die LED-Arbeitsleuchte ein.

#### Feineinstellung



*Ziehen Sie vor allen Einstellarbeiten den Netzstecker.*

Zur Gewährleistung exakter Schnitte müssen die Grundeinstellungen der Säge vor der ersten Verwendung sowie nach intensivem Gebrauch überprüft und angepasst werden. Hierzu sind geeignete Spezialwerkzeuge erforderlich. Der Vonroc-Kundendienst hilft Ihnen, diese Arbeiten schnell und zuverlässig zu erledigen.

#### Feineinstellung des Lasers (Abb. Q)

Hinweis: Um die Laserfunktion zu testen, muss das Elektrowerkzeug an die Stromversorgung angeschlossen sein.



*Während des Justierens des Lasers (z. B. beim Bewegen des Werkzeugarms) niemals den Ein-/Ausschalter betätigen. Ungewolltes Starten des Elektrowerkzeugs kann zu Verletzungen führen.*

Wenn der Laser (18) nicht mehr die richtige Schnittlinie anzeigt, können Sie den Laser neu justieren. Gehen Sie dazu wie folgt vor:

1. Öffnen Sie die Abdeckungsschrauben (47), um die vordere Abdeckung zu entfernen;
2. Lösen Sie die Schrauben zur Lasereinstellung (48) und stellen Sie den Laser so ein, dass der Laserstrahl auf die Zähne des Sägeblatts (6) trifft;
3. Montieren Sie die Frontabdeckung, indem Sie beide Abdeckungsschrauben (47) festziehen.

#### Feineinstellung des 0°-Schrägwinkels (Abb. R, S)

1. Stellen Sie den Gehrungs- und den Schrägwinkel auf 0° ein;
2. Senken Sie den Griff (2) ab und sichern Sie ihn mit dem Positionsverriegelungsknopf (38);
3. Blockieren Sie die Schlittenbewegung mit der Sicherungsschraube für die Gleitschienen (29);
4. Stellen Sie einen Winkelmesser auf 90° ein und legen Sie ihn auf den Tisch (11), wie in Abbildung S gezeigt. Der Schenkel des Winkelmessers muss über seine gesamte Länge mit dem Sägeblatt (6) bündig sein;
5. Lösen Sie die Sicherungsmutter für den 0°-Schrägwinkel (50);
6. Stellen Sie die Anschlagsschraube für den 0°-Schrägwinkel (32) ein, bis der Schenkel des Winkelmessers auf seiner gesamten Länge mit dem Sägeblatt bündig ist;
7. Ziehen Sie die Sicherungsmutter für den 0°-Schrägwinkel (50) wieder fest.

Überprüfen Sie anschließend die Position des Winkelindikators (19). Lösen Sie den Indikator falls nötig mit einem Kreuzschlitzschraubendreher, stellen Sie die Skala für den Schrägwinkel (20) auf 0° und ziehen Sie die Halteschraube wieder fest.

#### Feineinstellung des 45°-Schrägwinkels (Abb. R, T)

1. Stellen Sie den Gehrungs- und den Schrägwinkel auf 45° ein;
2. Senken Sie den Griff (2) ab und sichern Sie ihn mit dem Positionsverriegelungsknopf (38);
3. Blockieren Sie die Schlittenbewegung mit der Sicherungsschraube für die Gleitschienen (29);
4. Stellen Sie einen Winkelmesser auf 90° ein und legen Sie ihn auf den Tisch (11), wie in Abbildung T gezeigt. Der Schenkel des Winkelmessers muss über seine gesamte Länge mit dem Sägeblatt (6) bündig sein;
5. Lösen Sie die Sicherungsmutter für den

- 45°-Schrägwinkel (49);
6. Stellen Sie die Anschlagsschraube für den 45°-Schrägwinkel (31) ein, bis der Schenkel des Winkelmessers auf seiner gesamten Länge mit dem Sägeblatt bündig ist;
7. Ziehen Sie die Sicherungsmutter für den 45°-Schrägwinkel (49) wieder fest.

Überprüfen Sie anschließend die Position des Winkelindikators (19). Lösen Sie den Indikator falls nötig mit einem Kreuzschlitzschraubendreher, stellen Sie die Skala für den Schrägwinkel (20) auf 45° und ziehen Sie die Halteschraube wieder fest.

#### Feineinstellung des 0°-Gehrungswinkels (Abb. U, V)

1. Legen Sie einen Winkelmesser mit 0°-Einstellung auf den Tisch (11) und positionieren Sie ihn zwischen Anschlag (9) und Sägeblatt (6);
2. Der Schenkel des Winkelmessers muss über seine gesamte Länge mit dem Sägeblatt (6) bündig sein;
3. Lösen Sie alle vier Anschlagsschrauben (51) und stellen Sie den Anschlag (9) so ein, dass der Schenkel des Winkelmessers über seine gesamte Länge mit dem Sägeblatt bündig ist;
4. Ziehen Sie alle vier Anschlagsschrauben (51) wieder fest. Überprüfen Sie anschließend die Position des Winkelindikators (17). Lösen Sie den Indikator falls nötig mit einem Kreuzschlitzschraubendreher, stellen Sie die Skala für den Gehrungswinkel (16) auf 0° und ziehen Sie die Halteschraube wieder fest.

## 5. WARTUNG



*Schalten Sie die Maschine vor der Reinigung und Wartung immer aus und ziehen Sie den Netzstecker aus der Steckdose.*

Reinigen Sie das Werkzeuggehäuse regelmäßig mit einem weichen Lappen, vorzugsweise nach jeder Verwendung. Stellen Sie sicher, dass die Lüftungsöffnungen frei von Staub und Schmutz sind. Entfernen Sie anhaftenden Schmutz mit einem weichen Lappen, der leicht mit Seifenwasser befeuchtet wurde. Verwenden Sie keine Lösungsmittel wie Benzin, Alkohol, Ammoniak usw., da Chemikalien dieser Art die Kunststoffteile beschädigen.

### Reinigung der Schutzabdeckungen

Überprüfen Sie immer die Schutzabdeckung (4) sowie die einziehbare Schutzabdeckung (5) auf Verunreinigungen, bevor Sie das Gerät verwenden. Entfernen Sie altes Sägemehl und Splitter mit einem Pinsel oder einem ähnlichen Werkzeug.

### Austauschen des Tischeinsatzes



*Tauschen Sie beschädigte Tischeinsätze sofort aus.*

Bei einem beschädigten Tischeinsatz (13) besteht die Gefahr, dass sich kleine Teile zwischen Tischeinsatz und Sägeblatt verklemmen und das Sägeblatt blockieren. So tauschen Sie den Tischeinsatz aus:

1. Entfernen Sie die Schrauben des Tischeinsatzes mit einem Kreuzschlitzschraubendreher. Falls erforderlich, passen Sie den Gehrungs- und den Schrägwinkel an, um an diese Schrauben zu gelangen;
2. Nehmen Sie den Tischeinsatz heraus;
3. Setzen Sie den neuen Tischeinsatz ein;
4. Ziehen Sie die Schrauben mit einem Kreuzschlitzschraubendreher fest.

### Gleitschienen

Schmutz kann die Gleitschienen (25) und somit die Funktion der Säge beschädigen.

- Reinigen Sie die Gleitschienen regelmäßig mit einem weichen Tuch.
- Geben Sie etwas Schmieröl auf die Gleitschienen.
- Bewegen Sie die Gehrungssäge vorwärts und rückwärts, sodass sich das Öl komplett über die Schienen verteilen kann.

## UMWELTSCHUTZ



*Schadhafte und/oder zu entsorgende elektrische oder elektronische Werkzeuge und Geräte müssen an den dafür vorgesehenen Recycling-Stellen abgegeben werden.*

### Nur für EG-Länder

Entsorgen Sie Elektrowerkzeuge nicht über den Hausmüll. Entsprechend der EU-Richtlinie 2012/19/EG über Elektro- und Elektronik-Altgeräte sowie der Umsetzung in nationales Recht müssen Elektrowerkzeuge, die nicht mehr im Gebrauch sind, getrennt gesammelt und umweltschonend entsorgt werden.

## GARANTIE

VONROC-Produkte werden nach den höchsten Qualitätsstandards entwickelt und sind für den gesetzlich festgelegten Zeitraum, ausgehend von dem ursprünglichen Kaufdatum, garantiert frei von Fehlern in Material und Ausführung. Sollte das Produkt in diesem Zeitraum aufgrund von Material- und/oder Verarbeitungsmängeln Fehler aufweisen, wenden Sie sich bitte direkt an VONROC Kundendienst.

Folgende Umstände sind von der Garantie ausgeschlossen:

- Reparaturen und oder Änderungen an der Maschine, die durch nicht-autorisierte Servicetechniken vorgenommen oder versucht wurden.
- Normale Abnutzung und Verschleiß.
- Das Werkzeug wurde übermäßig beansprucht, missbräuchlich verwendet oder falsch gewartet.
- Es wurden keine Original-Ersatzteile verwendet.

Dies stellt die einzige Gewährleistung des Unternehmens dar, sowohl ausdrücklich als auch implizit.

Es gibt keine anderen ausdrücklichen oder stillschweigenden Garantien, die über das hier Genannte hinausgehen, einschließlich der stillschweigenden Garantien der Marktgängigkeit oder Eignung für einen bestimmten Zweck. In keinem Fall ist VONROC haftbar für Neben- oder Folgeschäden. Die Rechtsmittel des Händlers beschränken sich auf Reparatur oder Ersatz fehlerhafter Einheiten oder Teile.

**Am Produkt und am Benutzerhandbuch können Änderungen vorgenommen werden. Die technischen Daten können sich ohne Vorankündigung ändern**



## 1. VEILIGHEIDSVOORSCHRIFTEN

Lees de bijgesloten veiligheidswaarschuwingen, de aanvullende veiligheidswaarschuwingen en de instructies. Het niet opvolgen van de veiligheidswaarschuwingen kan elektrische schokken, brand en/of ernstig letsel tot gevolg hebben. Bewaar de veiligheidswaarschuwingen en instructies als naslagwerk voor later.

De volgende symbolen worden gebruikt in de gebruikershandleiding of op het product:



Lees de gebruikershandleiding.



*Gevaar voor lichamelijk letsel, overlijden of schade aan de machine wanneer de instructies in deze handleiding niet worden opgevolgd.*



*Gevaar voor elektrische schokken.*



*Houd omstanders op afstand.*



*Draag een stofmasker.*



*Draag oog- en gehoorbescherming.*



*Let op: laserstraling Kijk niet in de straal Klasse 2 laser.*



*Houd uw handen uit de buurt van de plaats waar gezaagd wordt, terwijl het elektrische gereedschap aan staat. Bij aanraking van het zaagblad bestaat verwondingsgevaar.*



*Gevarenzone! Houd handen, vingers of armen zo veel mogelijk hier uit de buurt.*



*Transporteer de machine alleen als deze in de inwaartse transport positie staat.*



*Klasse II apparaat - Dubbel geïsoleerd - Een geaarde stekker is niet noodzakelijk.*



*Het product is in overeenstemming met de van toepassing zijnde veiligheidsnormen in de Europese richtlijnen.*



*Bij het zagen van verstekhoeken moet de verstelbare aanslagrail naar buiten getrokken worden.*



*Let op de afmetingen van het zaagblad. De gatdiameter moet zonder speling op de uitgaande as passen. Indien het gebruik van reduceerstukken nodig is, dient u erop te letten dat de afmetingen van het reduceerstuk passen bij de zaagbladdikte en bij de gatdiameter van het zaagblad evenals bij de diameter van de uitgaande as. Gebruik indien mogelijk de met het zaagblad meegeleverde reduceerstukken. De zaagbladdiameter moet overeenkomen met de informatie op het symbool.*

### ALGEMENE VEILIGHEIDSVOORSCHRIFTEN



**WAARSCHUWING! Lees alle veiligheids-  
waarschuwingen en alle instructies.**

*Het niet opvolgen van onderstaande instructies kan leiden tot een elektrische schok, brand en/of ernstig persoonlijk letsel.*

#### Bewaar deze instructies goed.

De term "elektrisch gereedschap" in onderstaande waarschuwingen heeft betrekking op zowel apparatuur met een vaste elektriciteitskabel als op apparatuur met een accu (draadloze apparatuur).

#### 1) Werkgebied

- Zorg voor een opgeruimde en goed verlichte werkomgeving.** Rommelige en donkere werkomgevingen leiden tot ongelukken.
- Gebruik elektrisch gereedschap nooit in een omgeving waar explosiegevaar bestaat, zoals in de nabijheid van ontvlambare vloeistoffen, gassen, dampen of andere stoffen.** Elektrische gereedschappen kunnen vonken veroorzaken, die deze stoffen tot ontbranding kunnen brengen.
- Wanneer u elektrisch gereedschap gebruikt, houd dan kinderen en omstanders op afstand.** Wanneer u wordt afgeleid, kunt u de controle over het gereedschap verliezen.

## 2) Elektrische veiligheid

- a) **Stekkers van elektrische gereedschappen moeten probleemloos passen op het stopcontact. Breng nooit wijzigingen aan in of aan de stekker. Gebruik geen adapters voor gearde elektrische gereedschappen.** Standaardstekkers en passende stopcontacten verkleinen de kans op een elektrische schok.
- b) **Voorkom lichamelijk contact met gearde oppervlakken van bijvoorbeeld pijpen, leidingen, radiatoren, fornuizen en koelkasten.** Wanneer uw lichaam geard is, wordt de kans op een elektrische schok groter.
- c) **Stel elektrische gereedschappen nooit bloot aan regen of vocht.** Wanneer er water binnendringt in een elektrisch gereedschap, wordt de kans op een elektrische schok groter.
- d) **Gebruik het snoer niet om het elektrisch gereedschap te dragen, te verplaatsen of de stekker uit het stopcontact te trekken. Bescherm het snoer tegen olie, warmte, scherpe randen en bewegende delen.** Beschadigde of vastzittende snoeren vergroten de kans op een elektrische schok.
- e) **Wanneer u elektrische gereedschappen buiten gebruikt, gebruik dan een verlengkabel die geschikt is voor buitengebruik.** Door een kabel te gebruiken die geschikt is voor buitengebruik, wordt de kans op een elektrische schok kleiner.
- f) **Gebruik een aardlekbeveiliging (RCD) als niet te voorkomen is dat een powertool moet worden gebruikt in een vochtige omgeving.** Gebruik van een RCD vermindert het risico van elektrische schokken.

## 3) Persoonlijke veiligheid

- a) **Blijf altijd alert, kijk goed wat u doet en gebruik uw gezonde verstand wanneer u een elektrisch gereedschap gebruikt. Gebruik geen elektrische gereedschappen wanneer u moe bent, of drugs, alcohol of medicijnen hebt gebruikt.** Eén moment van onachtzaamheid bij het gebruik van elektrische gereedschappen kan ernstige verwondingen tot gevolg hebben.
- b) **Gebruik persoonlijke beschermingsmiddelen. Draag altijd een veiligheidsbril.** Een gepast gebruik van veiligheidsvoorzieningen, zoals een stofmasker, speciale werkschoenen met antislipzolen, een veiligheidshelm en gehoorbescherming verkleinen de kans op persoonlijk letsel.
- c) **Voorkom dat het gereedschap per ongeluk wordt gestart. Zorg dat de schakelaar op de**

## UIT positie staat, voordat u de stekker in het stopcontact steekt.

- Draag elektrisch gereedschap nooit met uw vinger op de schakelaar en steek ook nooit de stekker van ingeschakelde elektrische gereedschappen in het stopcontact: dit leidt tot ongelukken.
- d) **Verwijder alle instel en andere sleutels uit het elektrisch gereedschap voordat u hem inschakelt.** Instel en andere sleutels aan een ronddraaiend onderdeel van het elektrisch gereedschap kunnen tot verwondingen leiden.
  - e) **Zorg dat u nooit uw evenwicht kunt verliezen; houd altijd twee voeten stevig op de vloer.** Hierdoor kunt u het elektrisch gereedschap in onverwachte situaties beter onder controle houden.
  - f) **Zorg dat u geschikte kleding draagt. Draag geen loshangende kleding of sieraden. Houd uw haar, kleding en handschoenen uit de buurt van bewegende delen.** Loshangende kleding, sieraden en lang haar kunnen vast komen te zitten in bewegende delen.
  - g) **Wanneer er voorzieningen zijn voor de aansluiting van stofafzuiginstallaties, zorg dan dat ze op de juiste wijze worden aangesloten en gebruikt.** Gebruik van deze voorzieningen vermindert de gevaren die door stof worden veroorzaakt.
  - h) **Denk niet dat doordat u gereedschap vaak gebruikt, u wel weet hoe het allemaal werkt en dat u de veiligheidsbeginselen voor het gebruik van het gereedschap wel kunt negeren.** Een onbezonnen actie kan in een fractie van een seconde ernstig letsel tot gevolg hebben.
- ## 4) Gebruik en onderhoud van elektrisch gereedschap
- a) **Oefen geen overmatige kracht uit op elektrisch gereedschap. Gebruik het juiste gereedschap voor uw specifieke toepassing.** Met het juiste elektrische gereedschap voert u de taak beter en veiliger uit wanneer dit op de snelheid gebeurt waarvoor het apparaat is ontworpen.
  - b) **Gebruik nooit elektrisch gereedschap waarvan de AAN/UITschakelaar niet werkt.** Ieder elektrisch gereedschap dat niet kan worden in en uitgeschakeld met de schakelaar is gevaarlijk en moet worden gerepareerd.
  - c) **Trek de stekker uit het stopcontact voordat u wijzigingen aanbrengt aan elektrische gereedschappen, accessoires verwisselt of het elektrisch gereedschap opbergt.** Wanneer u zich aan deze preventieve veiligheidsmaatregelen houdt, beperkt u het risico dat het gereedschap per ongeluk wordt gestart.

- d) **Berg elektrisch gereedschap dat niet in gebruik is op buiten bereik van kinderen en laat personen die niet bekend zijn met het gereedschap of deze instructies het apparaat niet gebruiken.** Elektrisch gereedschap is gevaarlijk in de handen van ongeofende gebruikers.
- e) **Zorg voor een goed onderhoud van elektrisch gereedschap. Controleer of bewegende delen op de juiste wijze zijn vastgezet. Controleer ook of er geen onderdelen defect zijn of dat er andere omstandigheden zijn die van invloed kunnen zijn op de werking van het gereedschap. Laat het gereedschap bij beschadigingen repareren vóór gebruik.** Veel ongelukken worden veroorzaakt door slecht onderhoud van het gereedschap.
- f) **Zorg dat snij en zaagwerktuigen scherp en schoon blijven.** Goed onderhouden snij en zaagwerktuigen met scherpe randen zullen minder snel vastlopen en zijn eenvoudiger onder controle te houden.
- g) **Gebruik alle elektrische gereedschappen, accessoires, bitjes etc., zoals aangegeven in deze instructies en op de wijze waarvoor het gereedschap is ontworpen. Houd daarbij rekening met de werkomstandigheden en de uit te voeren taak.** Gebruik van elektrisch gereedschap voor handelingen die afwijken van de taken waarvoor het apparaat is ontworpen kunnen leiden tot gevaarlijke situaties.
- h) **Houd handgrepen en greepoppervlakken droog, schoon en vrij van olie en vet.** Gladde handgrepen en greepoppervlakken maken veilig werken en controle over het gereedschap in onverwachte situaties onmogelijk.
- 5) **Gebruik en onderhoud accugereedschap**
- a) **Laad alleen op met de lader die door de fabrikant is gespecificeerd.** Een lader die voor een bepaalde accu geschikt is, kan brand veroorzaken wanneer deze met een andere accu wordt gebruikt.
- b) **Gebruik elektrisch gereedschap alleen met de speciaal hiervoor bedoelde accu's.** Gebruik van andere accu's kan kans op letsel en brand geven.
- c) **Wanneer de accu niet in gebruik is, houd deze dan uit de buurt van andere metalen voorwerpen zoals paperclips, munten, sleutels, spijkers, schroeven of andere kleine metalen voorwerpen die een verbinding tussen twee polen kunnen maken.** Kortsluiting tussen de accupolen kan brandwonden of brand veroorzaken.
- d) **Wanneer de accu niet juist wordt gebruikt, kan er vloeistof uit lopen; raak dit niet aan. Wanneer dit per ongeluk wel gebeurt, spoel dan met water. Wanneer de vloeistof in de ogen komt, moet u een arts raadplegen.** De vloeistof uit de accu kan irritaties of brandwonden veroorzaken.
- e) **Gebruiken niet een accu of gereedschap dat beschadigd is of gemodificeerd.** Beschadigde of gemodificeerde accu's kunnen onvoorspelbaar gedrag vertonen, wat brand, explosie of een risico van letsel met zich meebrengt.
- f) **Stel een accu over het gereedschap niet bloot aan open vuur of een uitzonderlijk hoge temperatuur.** Blootstelling aan vuur of een temperatuur hoger dan 130 °C, kan een explosie veroorzaken. NB De temperatuur van "130 °C" kan worden vervangen door de temperatuur van "265 °F".
- g) **Houd u aan alle instructies voor het laden en laad de accu of het gereedschap niet op buiten het temperatuurbereik dat in de instructies wordt aangeduid.** Op een onjuiste wijze laden of laden bij temperaturen buiten het aangeduide bereik kan de accu beschadigen en het risico van brand doen toenemen.
- 6) **Service**
- a) **Laat uw gereedschap onderhouden door een gekwalificeerde onderhoudstechnicus die alleen gebruikmaakt van identieke vervangingsonderdelen.** Dit zorgt ervoor dat de veiligheid van de powertool intact blijft.
- b) **Voer nooit servicewerkzaamheden uit aan beschadigde accu's.** Alleen de fabrikant of geautoriseerde service-providers mogen servicewerkzaamheden aan accu's uitvoeren.

#### AANVULLENDE VEILIGHEIDSVOORSCHRIFTEN

- **Verstekzagen zijn bestemd voor het zagen van hout of houtachtige materialen, ze kunnen niet worden gebruikt met doorslijpschijven voor het doorslijpen van ferrometalen zoals stangen, staven, spijkers enz.** Slijpstof kan ervoor zorgen dat bewegende delen zoals de onderste beschermkap blokkeren. Vonken die bij doorslijpen ontstaan, leiden tot brandplekken bij de onderste beschermkap, de verstekzaagbak en andere kunststof onderdelen.
- **Gebruik indien mogelijk lijkklemmen om het werkstuk te ondersteunen. Als u het werkstuk met de hand ondersteunt, moet u uw hand aan beide kanten altijd op een afstand van ten minste 100 mm van het zaagblad houden. Gebruik deze zaag niet om stukken te zagen die te klein zijn om veilig vastgeklemd of met de hand**

**vastgehouden te worden.** Als uw hand te dicht bij het zaagblad wordt geplaatst, bestaat er een verhoogd risico op letsel door contact met het zaagblad.

- **Het werkstuk moet stationair en vastgeklemd zijn of tegen zowel de geleider als de tafel worden gehouden. Voer het werkstuk niet in het zaagblad of zaag op geen enkele manier uit de vrije hand.** Niet vastgeklemd of bewegende werkstukken zouden met hoge snelheden weggeslingerd kunnen worden en zo letsel kunnen veroorzaken.
- **Duw de zaag door het werkstuk. Trek de zaag niet door het werkstuk. Zo gaat het zagen in zijn werk: u tilt de zaagkop omhoog en trekt deze zonder te zagen over het werkstuk heen, u start de motor, duwt de zaagkop omlaag en u duwt de zaag door het werkstuk.** Zagen met een trekkende beweging kan het zaagblad naar de bovenkant van het werkstuk laten klimmen en daardoor kan het zaagblad met geweld in de richting van de bediener worden geslingerd.
- **Beweeg nooit met uw hand over de geplande zaaglijn voor of achter het zaagblad. Het met gekruiste handen ondersteunen van het werkstuk, d.w.z. het werkstuk met rechts vasthouden en het zaagblad met links of omgekeerd, is heel gevaarlijk.**
- **Kom achter de geleider niet met uw handen binnen een afstand van 100 mm van het draaiende zaagblad, om houtafval te verwijderen of om enige andere reden.** Het is misschien niet meteen duidelijk dat het draaiende zaagblad zo dicht bij uw hand is en u zou ernstig gewond kunnen raken.
- **Controleer uw werkstuk vóór het zagen. Als het werkstuk gebogen of krom is, klem dit dan met de naar buiten gebogen kant naar de geleider toe. Zorg er altijd voor dat er langs de zaaglijn geen opening is tussen het werkstuk, de geleider en de tafel.** Gebogen of kromme werkstukken kunnen draaien of verschuiven en ertoe leiden dat het draaiende zaagblad tijdens het zagen klem komt te zitten. Er mogen geen spijkers of vreemde voorwerpen in het werkstuk zitten.
- **Gebruik de zaag pas, als de tafel vrij is van alle gereedschappen, houtafval enz. en er alleen het werkstuk op ligt.** Kleine stukjes afval of losse stukken hout of andere voorwerpen die met het draaiende zaagblad in aanraking komen, kunnen met een hoge snelheid worden weggeslingerd.
- **Zaag maar één werkstuk tegelijkertijd.** Meerdere op elkaar gestapelde werkstukken kunnen niet goed worden vastgeklemd of vastgezet en kunnen ervoor zorgen dat het zaagblad tijdens het zagen klem komt te zitten of verschuift.
- **Zorg ervoor dat de verstekzaag vóór gebruik op een vlakke, stevige ondergrond wordt gemonteerd of geplaatst.** Een vlakke en stevige ondergrond vermindert het risico dat de verstekzaag onstabiel wordt.
- **Plan uw werk. Telkens als u de instelling voor de schuifte of verstekhoek wijzigt, moet u ervoor zorgen dat de verstelbare geleider correct is ingesteld voor ondersteuning van het werkstuk en het zaagblad of de beschermkap niet hindert.** Maak zonder de machine in te schakelen en zonder werkstuk op de tafel met het zaagblad een volledige gesimuleerde zaagbeweging om er zeker van te zijn dat er geen obstakels zijn of dat er geen gevaar is voor het doorzagen van de geleider.
- **Zorg voor voldoende ondersteuning, zoals tafelerlengingen, zaagbokken, enz., voor een werkstuk dat breder of langer is dan de bovenkant van de tafel.** Werkstukken die langer of breder zijn dan de verstekzaag, kunnen zonder een veilige ondersteuning kantelen. Als het afgezaagde stuk of het werkstuk kantelt, kan het de onderste beschermkap optillen of door het draaiende zaagblad worden weggeslingerd.
- **Gebruik geen andere persoon als vervanging voor een tafelerlenging of als extra ondersteuning.** Onstabiele ondersteuning voor het werkstuk kan ervoor zorgen dat het zaagblad klem komt te zitten of dat het werkstuk tijdens het zagen verschuift, waardoor u en uw helper in het draaiende zaagblad worden getrokken.
- **Het afgezaagde stuk mag absoluut niet tegen het draaiende zaagblad worden geklemd of gedrukt.** Als het afgezaagde stuk ingesloten zit, d.w.z. bij het gebruik van lengteaanslagen, dan zou het tegen het zaagblad vast kunnen komen zitten en met geweld weggeslingerd kunnen worden.
- **Gebruik altijd een lijkkleem of een spaninrichting die speciaal voor het ondersteunen van rond materiaal als stokken e.d. is ontworpen.** Stokken hebben de neiging om tijdens het zagen te gaan rollen, waardoor het zaagblad gaat "bijten" en het werkstuk met uw hand in het zaagblad trekt.
- **Laat het zaagblad zijn volle snelheid bereiken, voordat u dit met het werkstuk in aanraking brengt.** Dit vermindert het risico dat het werkstuk weggeslingerd wordt.
- **Als het werkstuk of het zaagblad klem komt**

te zitten, schakelt u de verstekzaag uit. Wacht tot alle bewegende delen tot stilstand zijn gekomen en trek de stekker uit het stopcontact of verwijder de accu. Maak het klemzittende materiaal dan vrij. Als u met een klemzittend werkstuk doorgaat met zagen, dan verliest u de controle of wordt de verstekzaag beschadigd.

- **Nadat het zagen voltooid is, laat u de schakelaar los, houdt u de zaagkop omlaag en wacht u tot het zaagblad tot stilstand is gekomen, voordat u het afgezaagde stuk verwijderd.** Het is gevaarlijk om met uw hand in de buurt van het uitlopende zaagblad te komen.
- **Houd de handgreep stevig vast, wanneer u een onvolledige zaagsnede maakt of wanneer u de schakelaar loslaat, voordat de zaagkop zich helemaal in de onderste positie bevindt.** Het afremmen van de zaag kan ervoor zorgen dat de zaagkop plotseling omlaag wordt getrokken, waardoor het risico van letsel ontstaat.
- **Houd uw werkplek schoon.** Materiaalmengsels zijn erg gevaarlijk. Lichtmetaalstof kan branden of ontploffen.
- **Gebruik geen stompe, gescheurde, verbogen of beschadigde zaagbladen. Zaagbladen met stompe of verkeerd gerichte tanden veroorzaken door een te nauwe zaagopening een verhoogde wrijving, vastklemmen van het zaagblad of terugslag.**
- **Gebruik geen zaagbladen van hooggelegeerd sneldraaistaal (HSS-staal).** Dergelijke zaagbladen kunnen gemakkelijk breken.
- **Gebruik altijd zaagbladen waarvan de asgaten de juiste afmeting en vorm (ruitvormig versus rond) hebben.** Zaagbladen die niet overeenkomen met de bevestigingsmiddelen van de zaag kunnen uit balans raken en ervoor zorgen dat u de controle over het gereedschap verliest.
- **Vervang de ingebouwde laser niet door een laser van een ander type.** Van een laser die niet bij dit elektrische gereedschap past, kunnen gevaren voor personen uitgaan.
- **Verwijder nooit slijpresten, houtspanen e.d. uit de buurt van de plaats waar wordt geslepen, terwijl het elektrische gereedschap loopt.** Breng de gereedschaparm altijd eerst in de ruststand en schakel het elektrische gereedschap uit.
- **Pak het zaagblad na de werkzaamheden niet vast, voordat het afgekoeld is.** Het zaagblad wordt tijdens de werkzaamheden zeer heet.
- **Maak waarschuwingstickers op elektrisch gereedschap nooit onleesbaar.**

- **Als laserstraling het oog raakt, dan moeten de ogen bewust gesloten worden en moet het hoofd onmiddellijk uit de straal bewogen worden.**
- **Gebruik geen optisch concentrerende instrumenten, zoals verrekijker enz. voor het bekijken van de stralingsbron.** U kunt hiermee uw ogen beschadigen.
- **Richt de laserstraal niet op personen die door een verrekijker of iets dergelijks kijken.** U kunt hiermee hun ogen beschadigen.
- **Breng geen wijzigingen aan de laserinrichting aan.** De in deze gebruiksaanwijzing beschreven instelmogelijkheden kunt u zonder gevaar gebruiken.
- **Ga niet op één lijn met het zaagblad voor het elektrisch gereedschap staan.** Ga altijd opzij van het zaagblad staan. Dit voorkomt een mogelijke terugslag tegen uw lichaam.
- **Houd handen, vingers en armen weg bij het roterende zaagblad.**
- **Reik niet met één hand over de andere voor de arm van het gereedschap.**
- **Laat de tanden van het zaagblad niet te heet worden. Zet de machine stil wanneer de tanden van het zaagblad te heet worden.** Gebruik de machine pas weer wanneer het zaagblad is afgekoeld.
- **Vervang beschadigde of versleten zaagbladen onmiddellijk.**
- **Gebruik uitsluitend zaagbladen waarvan de specificaties overeenkomen met die in deze bedieningshandleiding en zaagbladen die zijn getest en gemarkeerd in overeenstemming met EN 847-1.**
- **Wanneer u gebogen of ronde werkstukken zaagt, is het belangrijk dat deze goed worden vastgezet zodat ze niet kunnen wegglijden. Bij de zaaglijn mag er geen ruimte zijn tussen het werkstuk, de langsgleiding en de zaagtafel.** Zo nodig, moet u speciale voorzieningen maken.

#### Elektrische veiligheid



*Controleer altijd of de spanning van de stroomtoevoer overeenkomt met de spanning op het typeplaatje.*

- Gebruik de machine niet indien het netsnoer of de netstekker zijn beschadigd.
- Gebruik uitsluitend verlengkabels die geschikt zijn voor het vermogen van de machine met een minimale dikte van 1,5 mm<sup>2</sup>. Indien u een verlengkabelhaspel gebruikt, rol dan altijd de kabel volledig uit.

## 2. TECHNISCHE INFORMATIE

### Bedoeld gebruik

Dit gereedschap is bedoeld als stationaire machine voor het uitvoeren van rechte lengte- en dwarsneden in hout in de richting van de nerf en dwars op de nerf. U kunt verstekzaagsneden maken van  $-45^\circ$  tot  $+45^\circ$  en schuine zaagsneden van  $-0^\circ$  tot  $+45^\circ$ . Het elektrisch gereedschap met het gemonteerde zaagblad is ontworpen voor het met voldoende capaciteit zagen van hardhout en zacht hout, en ook van spaanplaat en vezelplaat. Het zaagblad is niet ontworpen voor het zagen van brandhout. Gebruik de zaag niet voor het zagen van andere dan die in de handleiding worden beschreven materialen.

### TECHNISCHE SPECIFICATIES

Model nr	MS502AC
Spanning	220-240V~
Frequentie	50 Hz
Vermogen	2000W
Onbelaste snelheid	4500/min
Hoek voor verstekzagen	$-45^\circ <> +45^\circ$
Hoek voor afschuinen	$-45^\circ <> 0^\circ$ alleen links
Zaagblad specificaties:	
Diameter	Ø 254 mm
Bladdikte	1,6 mm
Zaagbreedte	2,8 mm
Asgatdiameter	Ø 30 mm
Aantal tanden	60T
Max. Zaagcapaciteit (hoogte x breedte):	
Verstek $0^\circ$ - Schuin $0^\circ$	90 x 340 mm
Verstek $0^\circ$ - Schuin $45^\circ$	45 x 340 mm
Verstek $45^\circ$ - Schuin $0^\circ$	90 x 240 mm
Verstek $45^\circ$ - Schuin $45^\circ$	45 x 240 mm
Minimale werkstukafmetingen	3 x 10 mm
Laser specificaties:	
Klasse	2
Golflengte	650 nm
Vermogen	< 1 mW
Gewicht	14,3 kg
Lpa (Geluidsdruk)	97,2 +3 dB(A)
Lwa (Geluidsvermogen)	110,2 +3 dB(A)
Trillingsniveau	<2,5 m/s <sup>2</sup>

### Trillingsniveau

Het trillingsemissieniveau, dat in deze gebruiksaanwijzing wordt vermeld, is gemeten in overeenstemming met een gestandaardiseerde test volgens EN 60745; deze mag worden gebruikt om twee machines met elkaar te vergelijken en als voorlopige beoordeling van de blootstelling aan trilling bij gebruik van de machine voor de vermelde toepassingen.

- Het gebruik van de machine voor andere toepassingen, of met andere of slecht onderhouden accessoires, kan het blootstellingsniveau aanzienlijk verhogen.
- Wanneer de machine is uitgeschakeld of wanneer deze loopt maar geen werk verricht, kan dit het blootstellingsniveau aanzienlijk reduceren.

Bescherm uzelf tegen de gevolgen van trilling door de machine en de accessoires te onderhouden, uw handen warm te houden en uw werkwijze te organiseren.

### BESCHRIJVING

De nummers in de tekst verwijzen naar de diagrammen op pagina 2-6.

1. Knop voor vergrendeling in de Uit-stand
2. Handgreep
3. Aan/Uit-schakelaar
4. Beschermkap
5. Intrekbare beschermkap
6. Zaagblad
7. Verstelbare langseleiding
8. Lengtestop
9. Langseleiding
10. Tafelverlengstuk
11. Tafel
12. Montagegaten
13. Zaagplaat
14. Knop voor afstelling van verstek
15. Hendel voor afstelling van verstek
16. Schaalverdeling voor verstekhoek
17. Indicator voor verstekhoek
18. Laser
19. Indicator voor schuine hoek
20. Schaalverdeling voor schuine hoek
21. Werkstukkleem
22. Knop voor afstelling van schuine hoek
23. Rolwiel
24. Bout voor diepteafstelling
25. Schuifrails
26. Stofzak

27. Draaghandgreep
28. Stofuitgang
29. Vergrendelbout voor schuifrails
30. Achterste kantelbescherming
31. Stopbout voor schuine hoek 45°
32. Stopbout voor schuine hoek 0°
33. Vergrendelbout voor werkstukkleem
34. Vergrendelbout voor tafolverlengstuk
35. Vergrendelbout voor verstelbare langsgleiding
36. Stelbout voor langsgleiding
37. Voorste kantelbescherming
38. Knop voor positievergrendeling
39. Stelschroef
40. Borgbout
41. Klemflens
42. Klembout
43. Asvergrendeling
44. Knop voor werkstukkleem
45. Kartelmoer voor diepteafstelling
46. LED-werklicht
47. Laser-afdekschroeven
48. Schroeven voor laserafstelling
49. Vergrendelbout voor schuine hoek 45°
50. Vergrendelbout voor schuine hoek 0°
51. Bouten langsgleiding

### 3. ASSEMBLAGE



*Schakel voor assemblage altijd de machine uit en verwijder de netstekker uit het stopcontact.*

#### Transportstand (Afb. B, C)

De knop voor positievergrendeling (38) maakt het gemakkelijker het elektrisch gereedschap van de ene werklocatie naar de andere te vervoeren.

#### De transportstand ontgrendelen (werkstand)

1. Druk de handgreep (2) wat naar beneden;
2. Trek de knop voor positievergrendeling (38) geheel naar buiten en vergrendel de knop door deze te draaien;
3. Verplaats de handgreep (2) langzaam omhoog.

#### De transportstand vergrendelen (transportstand)

Controleer, voor u het gereedschap in de transportstand vergrendelt, dat de diepteafstellingsbout (24) is afgesteld op oneindige diepte. Zo kan de handgreep (2) geheel naar beneden worden verplaatst zonder dat de diepteaanslag wordt geraakt. Verwijder ook alle accessoires die niet stevig op de machine kunnen worden vastgezet.

1. Draai de vergrendelbout voor schuifrails (29) los, als deze is vastgezet;
2. Trek de handgreep (2) naar voren naar u toe en zet de vergrendelbout voor schuifrails (29) vast;
3. Druk de handgreep (2) geheel naar beneden;
4. Vergrendel de knop voor positievergrendeling (38) door deze eerst uit te trekken en vervolgens te draaien;
5. Wind de voedingskabel op en bind deze bij elkaar met de bijgeleverde kabelbinder.

Wanneer u de machine hebt vergrendeld in de transportstand, kunt u het apparaat veilig dragen en vervoeren aan de draaghandgreep (27).



*Draag de machine uitsluitend aan de draaghandgreep en nooit aan de beschermkappen.*

#### Een stationaire machine installeren (Afb. A, B, D)

Voor gegarandeerd veilig werken met het elektrisch gereedschap moet het voor gebruik worden gemonteerd op een vlak, stabiel werkoppervlak (bijv. een werkbank). U kunt de machine op drie manieren installeren:

##### 1. Op een werkbank

In dit geval moet de machine met geschikte bouten op de werkbank worden gemonteerd. Doe dit met behulp van de vier gaten (12). Zoals getoond op fig. D

##### 2. Op een onderframe



*Lees alle waarschuwingen en instructies die bij de zaagstandaard worden geleverd. Geeft u geen gevolg aan de veiligheids-waarschuwingen en de instructies dan kan dat leiden tot een elektrische schok, brand en/of ernstig letsel.*



*Zet de zaagstandaard goed in elkaar voor u het elektrisch gereedschap erop monteert. Dit is van belang omdat dan het risico dat de standaard in elkaar valt wordt voorkomen.*

In dit geval moet de machine met bouten op het onderframe worden gemonteerd. Doe dit met behulp van de vier gaten (12). Het onderframe moet met 4 bouten worden verankerd op de vloerplaat die ten minste 1 vierkante meter groot is. Monteer het elektrisch gereedschap in de transportstand op de zaagstandaard.

### 3. Flexibele installatie



*Dit type installatie wordt niet aanbevolen door de fabrikant.*

Als, in uitzonderlijke omstandigheden, het niet mogelijk is het elektrisch gereedschap op een vlak en stabiel werkoppervlak te monteren, kunt improviseren door bij de installatie gebruik te maken van de kantelbeveiliging.



*Zonder de kantelbeveiliging is het elektrisch gereedschap niet stabiel en kan omvallen, vooral bij zagen in de maximale verstekhoek en/of in schuine hoeken.*

- Draai de stelschroef (39) los met de inbusleutel. Schuif de achterste kantelbeveiliging (30) geheel naar buiten zoals wordt getoond in afbeelding E1 en E2. Draai nu de stelschroef (39) weer vast.
- Draai de voorste kantelbeveiliging (37) naar binnen of naar buiten, zoals wordt getoond in afbeelding F tot het elektrisch gereedschap waterpas op het werkoppervlak staat.

#### De beschermkap controleren (Afb. A)

De intrekbare beschermkap (5) biedt bescherming tegen onbedoeld contact met het zaagblad en tegen rondvliegende spaanders. Vóór gebruik moet worden gecontroleerd dat de zaagbladbeschermkap goed functioneert. U kunt dit doen door de handgreep (2) omlaag te trekken en het volgende te controleren:

- De intrekbare beschermkap (5) moet toegang krijgen tot het zaagblad (6) zonder dat de kap andere onderdelen raakt.
- Wanneer u de zaag omhoog vouwt in de startpositie, moet de intrekbare beschermkap (5) automatisch het gehele zaagblad (6) bedekken.

#### Het zaagblad vervangen (Afb. G)



*Voor u werk aan de machine uitvoert, moet u eerst de stekker uit het stopcontact trekken.*



*Draag beschermende handschoenen wanneer u het zaagblad monteert. Gevaar voor persoonlijk letsel wanneer u het zaagblad aanraakt.*



*Gebruik alleen zaagbladen waarvan de typische gegevens overeenkomen met die in de bedieningsinstructies. Gebruik alleen zaagbladen die een snelheidsmarkering hebben die gelijk is aan of hoger is dan de snelheid die is gemarkeerd op de machine.*



*Gebruik de machine onder geen enkele omstandigheid met slijpschijven als zaaggereedschap.*

U wordt tijdens eerste geadviseerd voor u het zaagblad vervangt, de verstekhoek en de hoek voor schuine zaagsneden op 0° te zetten. Anders zal de toegang tot het zaagblad beperkt zijn.

#### Het zaagblad verwijderen

1. Vergrendel de zaag in de bovenste stand door middel van de knop (38) voor positievergrendeling;
2. Draai de borgbout (40) los met een kruiskop-schroevendraaier, zoals wordt getoond in afbeelding G1; WAARSCHUWING! Verwijder de borgbout (40) niet geheel, draai de bout alleen los.
3. Vouw de intrekbare beschermkap (5) omhoog tot u vrij toegang hebt tot de klembout (42), zoals wordt getoond in afbeelding G2;
4. Steek de inbusleutel in de klembout (42). De intrekbare beschermkap (5) kan worden losgemaakt, de kap vouwt op de inbusleutel.
5. Draai de klembout (42) met de inbusleutel (34) en druk tegelijkertijd op de asvergrendeling (43) tot deze ingrijpt.
6. Houd de asvergrendeling (43) stevig vast en draai de klembout (42) door deze naar rechts te draaien (linkse draad).
7. Verwijder de klembout (42) en de klemflens (41). Daarna kan het zaagblad (6) worden verwijderd.

#### Het zaagblad monteren



*Controleer, wanneer u het zaagblad monteert, dat de zaagrichting van de tanden (richting van de pijl over de zaagblad) overeenkomt met de richting van de pijl op de beschermkap (4).*



*Controleer, wanneer u het zaagblad (6) monteert, dat het vrij kan draaien in de zaagplaat (13) in de instellingen op 0° en 45°.*

1. Reinig het zaagblad en alle te monteren klemonderdelen.



2. Draai de borgbout (40) los met een kruiskop-schroevendraaier, zoals wordt getoond in afbeelding G1; WAARSCHUWING! Verwijder de borgbout (40) niet geheel, draai de bout alleen los.
3. Vouw de intrekbare beschermkap (5) omhoog tot u vrij toegang hebt tot de klembout (42), zoals wordt getoond in afbeelding G2;
4. Steek de inbussleutel in de klembout (42). De intrekbare beschermkap (5) kan worden losgemaakt, de kap vouwt op de inbussleutel.
5. Monteer de klemflens (41). Let erop dat de vlakke zijden van de klemflens overeen moeten komen met de vlakke zijden van de schacht van het zaagblad. Controleer ook dat de bolle zijde van de klemflens naar buiten is gemonteerd.
6. Plaats de klembout (42) en draai de bout met de inbussleutel en druk tegelijkertijd op de asvergrendeling (43) tot deze ingrijpt.
7. Houd de asvergrendeling (43) stevig vast en draai de klembout (42) door deze naar links te draaien.

#### Stofafzuiging (Afb. A, B, W, X)



*Zorg voor een goede ventilatie op de werkplek.*



*Draag bescherming tegen stof.*

Het stof van materialen zoals loodverf en bepaalde soorten hout kan schadelijk zijn voor de gezondheid. Het inademen van deze stof kan allergische reacties en/of aandoeningen van de luchtwegen veroorzaken bij de gebruiker of bij mensen in de nabijheid. Bepaald stof, zoals dat van eikenhout of beukenhout worden geclassificeerd als kankerverwekkend, vooral in combinatie met toevoegingen voor houtbehandeling (chromaat, houtconserveermiddelen). Wij adviseren een systeem voor stofafzuiging te gebruiken, dat geschikt is voor het materiaal, wanneer dat maar mogelijk is.



*Vermijd de opeenhoping van stof op de werkplek. Stof kan gemakkelijk tot ontbranding komen.*

Het systeem voor stofafzuiging kan verstopt raken door stof, spaanders of snippers van het werkstuk. Daarom moet het systeem regelmatig worden schoongemaakt. Dat doet u als volgt:

1. Trek de stekker uit het stopcontact.
2. Wacht tot het zaagblad geheel tot stilstand is gekomen.

3. Verwijder eventuele blokkades

#### De stofzak bevestigen (Afb. W)

Druk de klem van de stofzak (26) in en schuif de zak op de opening (28) aan de achterkant van de machine. De stofzak blijft op z'n plaats zitten wanneer u de klem loslaat.

#### Een stofzuiger aansluiten (Afb. X)



*De stofzuiger moet geschikt zijn voor het materiaal waarmee u werkt.*



*Wanneer u droog stof opzuigt dat zeer schadelijk is voor de gezondheid of stof dat kankerverwekkend is, gebruik dan een speciaal systeem voor stofafzuiging.*

U kunt de slang van de stofzuiger aansluiten op de stofuitgang (28). U kunt dat doen door gewoon de slang van de stofzuiger te bevestigen op de stofopening.

## 4. BEDIENING



*Controleer, voor u de machine inschakelt, altijd dat het zaagblad goed is gemonteerd. Het zaagblad moet gelijkmatig kunnen draaien.*



*Controleer voor gebruik de beschermkappen.*



*Voor alle zaagsneden moet eerst worden gecontroleerd dat het zaagblad op geen enkel moment in contact kan komen met de langsgleiding, de werkstuklem of andere onderdelen van de machine. Verwijder eventueel gemonteerde hulpstoppen of stel ze opnieuw af.*

#### Het werkstuk ondersteunen (Afb. H)

Werkstukken moeten altijd goed worden ondersteund. De taferverlengstukken (10) kunnen ter ondersteuning van een werkstuk naar links en naar rechts worden uitgeschoven. Dat doet u als volgt:

1. Draai de vergrendelbout voor het taferverlengstuk (34) los;
2. Verplaats het taferverlengstuk (10) naar de gewenste stand;
3. Draai de vergrendelbout voor het taferverlengstuk (34) vast.

Wanneer u zeer lange werkstukken zaagt, moet u onder het vrije uiteinde een extra steun zetten zodat het werkstuk goed is ondersteund.

#### Het werkstuk vastklemmen (Afb. H)

Werkstukken moeten altijd goed worden vastgemaakt. De werkstukken (21) kan ter ondersteuning aan de linker- en aan de rechterkant worden geplaatst. Dat doet u als volgt:

1. Zorg ervoor dat het werkstuk stevig tegen de langsgleiding (9) wordt geklemd;
2. Steek de meegeleverde werkstukken (21) in één van de gaten die hiervoor zijn bedoeld, zoals u kunt zien in afbeelding H;
3. Stel de stang met schroefdraad van de werkstukken (21) af op de hoogte van het werkstuk;
4. Zet de stang met schroefdraad van de werkstukken (21) stevig vast zodat het werkstuk op z'n plaats zit.

U kunt het werkstuk losmaken door gewoon de stang met schroefdraad van de werkstukken (21) los te maken.

U kunt met de knop voor de werkstukken (44) sneller de hoogte van de werkstukken (21) aanpassen. Zet, na het afstellen van de hoogte altijd de stang met schroefdraad van de werkstukken (21) stevig vast zodat het werkstuk op z'n plaats bevestigd is.

#### Het werkstuk afstellen (Afb. H)



*Stel altijd de langsgleiding af op een bepaald type zaagsnede.*

Wanneer u in verstek en/of onder een schuine hoek zaagt, moet u de verstelbare langsgleiding (7) verplaatsen afhankelijk van de zaagrichting. Op deze wijze wordt onder alle omstandigheden het werkstuk altijd goed ondersteund door de langsgleiding. Dat doet u als volgt:

1. Draai de vergrendelbout voor de verstelbare langsgleiding (35) los;
2. Stel de langsgleiding af op de gewenste langsgleiding. Voor zaagsneden in verstek of rechte zaagsneden moet de langsgleiding naar binnen worden verplaatst naar het zaagblad (max. 8 mm), maar de langsgleiding mag het zaagblad niet raken. Voor schuine zaagsneden moet de langsgleiding naar buiten worden verplaatst van het zaagblad (max. 8 mm), maar de langsgleiding mag het zaagblad niet raken;

3. Draai de vergrendelbout voor de verstelbare langsgleiding (35) vast;
4. Zorg ervoor dat het zaagblad niet in aanraking komt met de verstelbare langsgleiding (35), u kunt het beste het zaagblad laten draaien zonder de machine in te schakelen.

#### De verstekhoek afstellen (Afb. A)

De verstekhoek kan worden ingesteld tussen 45° links en 45° rechts. U kunt met vooraf-ingestelde verstekhoeken op de zaagtafel op 0°, 15°, 22,5°, 30° en 45° snel en nauwkeurig veelgebruikte verstekhoeken instellen.

#### De verstekhoek afstellen op de vooraf-ingestelde hoek:

1. Maak de knop voor afstelling van verstek (14) los;
2. Trek de hendel voor afstelling van verstek (15) op en draai de tafel (11) naar links of naar rechts naar de gewenste vooraf-ingestelde hoek. De hoek kan met behulp van de indicator voor de verstekhoek (17) worden afgelezen op de schaalverdeling voor de verstekhoek (16).
3. Laat de hendel los. U moet voelen dat de hendel ingrijpt in de inkeping van de vooraf-ingestelde hoek.
4. Maak de knop voor afstelling van verstek (14) vast.

#### De verstekhoek afstellen op en de gewenste hoek:

1. Maak de knop voor afstelling van verstek (14) los;
2. Trek de hendel voor afstelling van verstek (15) op en draai de tafel (11) naar links of naar rechts naar de gewenste positie. De hoek kan met behulp van de indicator voor de verstekhoek (17) worden afgelezen op de schaalverdeling voor de verstekhoek (16).
3. Laat de hendel los en zet de knop voor afstelling van verstek (14) vast.

#### De schuine hoek afstellen (Afb. A, B)

De schuine hoek kan worden ingesteld tussen 0° en +45° naar links. Dat doet u als volgt:

1. Maak de knop voor afstelling van de schuine hoek (22) los;
2. Kantel de zaag met de handgreep (2) tot de indicator (19) de gewenste positie aangeeft op de schaalverdeling voor schuine hoek (20);
3. Zet de knop voor afstelling van de schuine hoek (22) vast.

**De machine in-/uitschakelen (Afb. A)**

- U kunt de machine starten door op de knop (1) voor vergrendeling de Uit-stand te drukken en ingedrukt te houden en op de Aan/Uit-schakelaar (3) te drukken.
- U kunt de machine uitschakelen door de Aan/Uit-schakelaar (3) los te laten.

**Een afkortzaagsnede maken (Afb. I, J)**

Volg deze stappen voor het maken van een zaagsnede haaks op de nerf van het hout:

1. Stel de verstekhoek en de instelling van de schuine hoek in op 0°;
2. Verplaats de verstelbare langsgleiding naar de binnenste positie, naar het zaagblad toe. De maximale afstand tussen de verstelbare langsgleiding (35) en het zaagblad (6) is 8mm, zoals wordt getoond in afbeelding J. Let er vooral op dat de langsgleiding het zaagblad niet raakt.
3. Zet het werkstuk stevig vast met een klem;
4. Schakel de machine in. Denk eraan dat het zaagblad op volle snelheid moet komen;
5. Breng nu de handgreep langzaam omlaag, zo dat het zaagblad door het werkstuk zaagt en de sleuf in de tafel passeert. Oefen niet al te veel druk op de zaag uit, laat de machine het werk doen;
6. Breng de handgreep weer voorzichtig omhoog en schakel de machine uit door de schakelaar los te laten.

**Een verstekzaagsnede maken (Afb. J, K)**

Volg deze stappen voor het maken van een schuine zaagsnede haaks op het hout:

1. Stel de verstekhoek in op de gewenste positie en de schuine hoek in op 0°;
2. Verplaats de verstelbare langsgleiding naar de binnenste positie, naar het zaagblad toe. De maximale afstand tussen de verstelbare langsgleiding (35) en het zaagblad (6) is 8mm, zoals wordt getoond in afbeelding J. Let er vooral op dat de langsgleiding het zaagblad niet raakt.
3. Zet het werkstuk stevig vast met een klem;
4. Schakel de machine in. Denk eraan dat het zaagblad op volle snelheid moet komen;
5. Breng nu de handgreep langzaam omlaag, zo dat het zaagblad door het werkstuk zaagt en de sleuf in de tafel passeert. Oefen niet al te veel druk op de zaag uit, laat de machine het werk doen;
6. Breng de handgreep weer voorzichtig omhoog en schakel de machine uit door de schakelaar los te laten.

**Een schuine zaagsnede maken (Afb. L, M)**

Volg deze stappen voor het maken van een schuine zaagsnede naar de rand van het hout:

1. Stel de verstekhoek in op 0° en de schuine hoek in op de gewenste positie;
2. Verplaats de verstelbare langsgleiding naar de buitenste positie, van het zaagblad af. De maximale afstand tussen de verstelbare langsgleiding (35) en het zaagblad (6) is 8mm, zoals wordt getoond in afbeelding M. Let er vooral op dat de langsgleiding het zaagblad niet raakt.
3. Zet het werkstuk stevig vast met een klem. Let erop dat de werkstukklem op de rechterzijde moet worden gezet;
4. Schakel de machine in. Denk eraan dat het zaagblad op volle snelheid moet komen;
5. Breng nu de handgreep langzaam omlaag, zo dat het zaagblad door het werkstuk zaagt en de sleuf in de tafel passeert. Oefen niet al te veel druk op de zaag uit, laat de machine het werk doen;
6. Breng de handgreep weer voorzichtig omhoog en schakel de machine uit door de schakelaar los te laten.

**Een dubbelverstek zaagsnede maken (Afb. M, N)**

Volg deze stappen voor het maken van een combinatie tussen een zaagsnede in verstek en een schuine zaagsnede:

1. Stel de verstekhoek en de schuine hoek in op de gewenste positie;
2. Verplaats de verstelbare langsgleiding naar de buitenste positie, van het zaagblad af. De maximale afstand tussen de verstelbare langsgleiding (35) en het zaagblad (6) is 8mm, zoals wordt getoond in afbeelding M. Let er vooral op dat de langsgleiding het zaagblad niet raakt.
3. Zet het werkstuk stevig vast met een klem. Let erop dat de werkstukklem op de rechterzijde moet worden gezet;
4. Schakel de machine in. Denk eraan dat het zaagblad op volle snelheid moet komen;
5. Breng nu de handgreep langzaam omlaag, zo dat het zaagblad door het werkstuk zaagt en de sleuf in de tafel passeert. Oefen niet al te veel druk op de zaag uit, laat de machine het werk doen;
6. Breng de handgreep weer voorzichtig omhoog en schakel de machine uit door de schakelaar los te laten.

### De schuif functie gebruiken

Voor extra brede werkstukken is de machine uitgerust met een schuif functie. Wanneer u de schuif functie gebruikt, moet u er aan denken de vergrendelbout voor de schuif rails (29) los te zetten. Trek de handgreep (2) weg van de langsgeleiding (9) tot het zaagblad voor het werkstuk staat. Leid de arm van het gereedschap langzaam omlaag met de handgreep en een duw daarna de handgreep (2) naar de langsgeleiding (9) en zaag met gelijkmatige snelheid door het werkstuk.

Voor kleine werkstukken is het mogelijk de schuif functie met de vergrendelbout voor de schuif rails (29) vast te zetten in de achterste positie van de zaag. Als meer zaagbreedte gewenst is, is het nodig de vergrendelbout voor schuif rails (29) los te zetten.

### De lengtestop gebruiken (Afb. O)

Met de lengtestop (8) aan de beide verlengstukken (10) van de tafel links en rechts kunt u gemakkelijk werkstukken op dezelfde lengte afzagen.

1. Verplaats de lengtestop (8) omhoog;
2. Draai de vergrendelbout voor het tafelverlengstuk (34) los;
3. Stel het tafelverlengstuk (10) af op de gewenste stand.
4. Draai de vergrendelbout voor het tafelverlengstuk (34) vast.

### De dieptestop afstellen (Afb. P)

U kunt de dieptestop afstellen zodat u de zaagdiepte kunt beperken. Zo kunt u gemakkelijk een groef zagen. Dat doet u als volgt:

1. Maak de gewartelde moer voor diepteafstelling (45) los;
2. Stel de knop (24) voor diepteafstelling af op de gewenste diepte;
3. Maak de gewartelde moer voor diepteafstelling (45) vast.

### De laser in-/uitschakelen (Afb. B)

Schakel de laser in of uit door op de laser-schakelaar (46) te drukken. De laser-schakelaar (46) schakelt ook het LED-werklicht in.

### Nauwkeurig afstellen



Trek de stekker uit het stopcontact voordat u werkt aan de afstelling van de machine.

U kunt ervoor zorgen dat de machine nauwkeurig zaagt door voor het eerste gebruik en na intensief gebruik het apparaat te controleren en af te stellen. Er is hiervoor speciaal gereedschap nodig. De Vonroc after-sales helpt u deze werkzaamheden snel en betrouwbaar uit te voeren.

### De laser nauwkeurig afstellen (Afb. Q)

NB: U kunt de laserfunctie alleen testen als het elektrisch gereedschap op de stroomvoorziening is aangesloten.



*Tijdens het afstellen van de laser (bijv. wanneer u de arm van het gereedschap verplaatst), mag u nooit de aan/uit-schakelaar bedienen. Het onbedoeld inschakelen van het elektrisch gereedschap kan letsel tot gevolg hebben.*

Als de laser (18) niet meer de juiste zaaglijn aangeeft, kunt u de laser opnieuw afstellen. Dat doet u als volgt:

1. Draai de schroeven (47) van de kap los zodat u de voorste kap kunt verwijderen;
2. Draai de schroeven (48) van de afstelling van de laser los en stel de laser in door deze te verplaatsen tot de laserstraal de tanden van het zaagblad (6) raakt;
3. Monteer de voorste kap door de beide schroeven (47) vast te zetten.

### De schuine hoek nauwkeurig afstellen op 0° (Afb. R, S)

1. Stel de verstekhoek en de schuine hoek in op 0°;
1. Breng de handgreep (2) omlaag en zet deze vast met de knop (38) voor positievergrendeling;
2. Vergrendel de schuivende beweging met de vergrendelbout voor de schuif rails (29);
3. Stel een winkelhaak in op 90° en plaats deze op de tafel (11), zoals wordt getoond in afbeelding S. Het been van de haak moet over z'n gehele lengte gelijk met het zaagblad (6) zijn;
4. Draai de vergrendelbout voor de schuine hoek (50) op 0° los;
5. Stel de stopbout voor schuine hoek 0° (32) af tot het been van de winkelhaak over z'n gehele lengte gelijk is met het zaagblad;
6. Draai de vergrendelbout voor de schuine hoek (50) op 0° weer vast.

Controleer vervolgens de positie van de indicator (19) van de hoek. Zet, zo nodig, de aanwijzer los met een kruiskopschroevendraaier, zet de aanwijzer op 0° op de schaalverdeling voor de schuine hoek (20) en zet de borgschroef weer vast.

#### De schuine hoek nauwkeurig afstellen op 45° (Afb. R, T)

1. Stel de verstekhoek en de schuine hoek in op 45°;
2. Breng de handgreep (2) omlaag en zet deze vast met de knop (38) voor positievergrendeling;
3. Vergrendel de schuivende beweging met de vergrendelbout voor de schuifrails (29);
4. Stel een winkelhaak in op 90° en plaats deze op de tafel (11), zoals wordt getoond in afbeelding T. Het been van de haak moet over z'n gehele lengte gelijk met het zaagblad (6) zijn;
5. Draai de vergrendelbout voor de schuine hoek (49) op 45° los;
6. Stel de stopbout voor schuine hoek 45° (31) af tot het been van de winkelhaak over z'n gehele lengte gelijk is met het zaagblad;
7. Draai de vergrendelbout voor de schuine hoek (49) op 45° weer vast.

Controleer vervolgens de positie van de indicator (19) van de hoek. Zet, zo nodig, de aanwijzer los met een kruiskopschroevendraaier, zet de aanwijzer op 45° op de schaalverdeling voor de schuine hoek (20) en zet de borgschroef weer vast.

#### De verstekhoek nauwkeurig afstellen op 0° (Afb. U, V)

1. Stel een winkelhaak in op 0° en plaats deze op de tafel (11), tussen de langsgeleiding (9) en het zaagblad (6);
2. Het been van de haak moet over z'n gehele lengte gelijk met het zaagblad (6) zijn;
3. Draai alle vier bouten (51) van de langsgeleiding los en stel de langsgeleiding (9) af tot het been van de winkelhaak over z'n gehele lengte gelijk is met het zaagblad;
4. Zet alle vier bouten (51) van de langsgeleiding weer vast. Controleer vervolgens de positie van de indicator (17) van de hoek. Zet, zo nodig, de aanwijzer los met een kruiskopschroevendraaier, zet de aanwijzer op 0° op de schaalverdeling voor de verstekhoek (16) en zet de borgschroef weer vast.

## 5. ONDERHOUD



*Schakel voor reiniging en onderhoud altijd de machine uit en verwijder de netstekker uit het stopcontact.*

Reinig de machinebehuizing regelmatig met een zachte doek, bij voorkeur iedere keer na gebruik. Zorg dat de ventilatiesleuven vrij van stof en vuil zijn. Gebruik bij hardnekkig vuil een zachte doek bevochtigd met zeepwater. Gebruik geen oplosmiddelen als benzine, alcohol, ammonia, etc. Dergelijke stoffen beschadigen de kunststof onderdelen. De beschermkappen reinigen. Controleer altijd de beschermkap (4) en de intrekbare beschermkap (5) op de aanwezigheid van vuil, voordat u de machine gebruikt. Verwijder zaagselresten en splinters met een borstel of iets dergelijks.

#### De tafelinzet vervangen



*Vervang beschadigde tafelinzetten onmiddellijk.*

Met een beschadigde tafelinzet (13) is er een risico dat kleine delen klem komen te zitten tussen de tafelinzet en het zaagblad, waardoor het zaagblad wordt geblokkeerd. De tafelinzet vervangen:

1. Verwijder de schroeven van de tafelinzet met een kruiskopschroevendraaier. Pas, zo nodig, de verstekhoek en de schuine hoek aan zodat u deze schroeven kunt bereiken;
2. Verwijder de tafelinzet;
3. Installeren een nieuwe tafelinzet;
4. Zet de schroeven vast met een kruiskopschroevendraaier.

#### Geleiderails

Vuil kan de geleiderails (25) en derhalve ook de werking van de machine aantasten.

- Maak de geleiderails regelmatig schoon met een zachte doek.
- Druppel wat smeerolie op de geleiderails.
- Beweeg de afkortzaag naar voren en naar achteren om de olie over de hele rails te verspreiden.

## MILIEU



*Defecte en/of afgedankte elektrische of elektronische gereedschappen dienen ter verwerking te worden aangeboden aan een daarvoor verantwoordelijke instantie.*

### Uitsluitend voor EG-landen

Werp elektrisch gereedschap niet weg bij het huisvuil. Conform de Europese Richtlijn 2012/19/EG voor Afdankte Elektrische en Elektronische Apparatuur en de implementatie ervan in nationaal recht moet niet langer te gebruiken elektrisch gereedschap gescheiden worden verzameld en op een milieuvriendelijke wijze worden verwerkt.

## GARANTIE

VONROC producten zijn ontworpen volgens de hoogste kwaliteitsstandaarden en gegarandeerd vrij van defecten, zowel materieel als fabrieksfouten, tijdens de wettelijk vastgestelde garantieperiode vanaf de eerste aankoopdatum. Mocht het product tijdens deze periode gebreken vertonen veroorzaakt door defecte materialen en/of fabrieksfouten, neem dan rechtstreeks contact op met VONROC.

De volgende situaties vallen niet onder de garantie:

- Er zijn reparaties of aanpassingen aan de machine uitgevoerd, of er is een poging daartoe ondernomen, door een nietgeautoriseerd servicecentrum.
- Normale slijtage.
- De machine is misbruikt, verkeerd gebruikt of slecht onderhouden.
- Er zijn niet-originele reserveonderdelen gebruikt.

Dit vormt de enige garantie opgesteld door het bedrijf zowel expliciet als impliciet. Er bestaan geen andere garanties expliciet of impliciet welke verder gaan dan deze garantie, inclusief impliciete garanties van verkoopbaarheid en geschiktheid voor bepaalde doeleinden. In geen enkel geval kan VONROC aansprakelijk worden gesteld voor incidentele schade of gevolgschade. Reparaties van dealers zijn gelimiteerd tot de reparatie of vervanging van defecte producten of onderdelen.

**Het product en de gebruikershandleiding zijn onderhevig aan wijzigingen. Specificaties kunnen zonder opgave van redenen worden gewijzigd.**

## 1. CONSIGNES DE SÉCURITÉ

En plus des avertissements de sécurité suivants, veuillez également lire les avertissements de sécurité additionnels ainsi que les instructions. Le non-respect des avertissements de sécurité et des instructions peut entraîner une décharge électrique, un incendie et/ou des blessures graves. Veuillez conserver les avertissements de sécurité et les instructions pour consultation ultérieure.

Les symboles suivants sont utilisés dans le manuel d'utilisation ou apposés sur le produit:



*Lisez le manuel d'utilisation.*



*Signale un risque de blessures, un danger mortel ou un risque d'endommagement de l'outil en cas de non-respect des instructions de ce manuel.*



*Risque de décharge électrique.*



*Ne laissez aucune personne s'approcher de la zone de travail.*



*Porter un masque antipoussière.*



*Protégez-vous les yeux et les oreilles.*



*Note: rayonnement laser. Ne regarde pas dans le rayon Laser de classe 2.*



*N'approchez en aucun cas les mains de la zone de sciage pendant le fonctionnement de l'outil électroportatif. Il y a risque de blessure grave en cas de contact avec la lame de scie.*



*Zone dangereuse ! Gardez les mains, doigts ou bras éloignés de cette zone.*



*Transporter la machine uniquement lorsqu'elle se trouve en position de transport interne.*

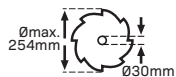


*Machine de classe II - Double isolation - Vous n'avez pas besoin de prise avec mise à la terre.*

**CE** Le produit est conforme aux normes de sécurité en vigueur spécifiées dans les directives européennes.



Pour le sciage de coupes biaisées dans le plan vertical, la butée réglable doit être déplacée vers l'extérieur.



Faites attention aux dimensions de la lame de scie. Le diamètre de l'alésage central doit correspondre exactement à celui de la broche (pas de jeu). Lorsqu'il est nécessaire d'utiliser des bagues de réduction, veillez à ce que les dimensions de la bague de réduction soient adaptées à l'épaisseur du corps de lame, au diamètre de l'alésage de la lame et au diamètre de la broche de l'outil. Utilisez dans la mesure du possible les bagues de réduction fournies avec la lame. Le diamètre de lame doit correspondre à l'indication du pictogramme.

## CONSIGNES GÉNÉRALES DE SÉCURITÉ



**AVERTISSEMENT! Veuillez lire l'intégralité des avertissements de sécurité et des instructions.** Le nonrespect de toutes les instructions indiquées cidessous peut entraîner un risque de choc électrique, d'incendie et/ou de blessures graves.

### Conservez ces instructions.

Le terme "appareil électrique" mentionné dans tous les avertissements cidessous se rapporte à un appareil électrique qui se branche au réseau électrique (grâce à un câble d'alimentation) ou à un appareil électrique (sans fil) fonctionnant grâce à une batterie.

#### 1) Espace de travail

- a) **Veillez toujours à garder votre espace de travail propre et bien éclairé.** Les espaces mal rangés et sombres peuvent être la cause d'accidents.
- b) **N'utilisez pas les appareils électriques dans des environnements susceptibles d'explosion, par exemple en présence de liquides inflammables,**

**de gaz ou de particules.** Les appareils électriques provoquent des étincelles qui peuvent enflammer les particules des émanations.

- c) **Veillez à garder éloignés les enfants et les personnes se trouvant dans votre voisinage, lors de l'utilisation d'un appareil électrique.** Les distractions peuvent vous faire perdre le contrôle de l'appareil.

#### 2) Mesures de sécurité électriques

- a) **Les prises des appareils électriques doivent être raccordées à la prise murale correspondante. Ne modifiez jamais la prise de l'appareil, de quelque façon que ce soit. N'utilisez pas d'adaptateurs qui mettent les appareils électriques à la terre (mise à la masse).** Des prises non modifiées et branchées à la prise murale correspondante réduiront les risques de choc électrique.
- b) **Évitez le contact direct avec les surfaces mises à la terre ou mises à la masse comme les canalisations, les radiateurs, les cuisinières et les réfrigérateurs.** En effet, le risque de choc électrique s'accrut si votre corps est mis à la terre ou à la masse.
- c) **N'utilisez pas d'outils électriques dans des environnements pluvieux ou humides.** Si de l'eau s'introduit dans un appareil électrique, le risque de choc électrique augmentera.
- d) **N'utilisez pas le câble de manière abusive. N'utilisez jamais le câble pour transporter, tirer ou débrancher l'appareil électrique. Veillez à garder le câble éloigné des sources de chaleur, des huiles, des rebords coupants ou des pièces actionnées.** Les câbles endommagés ou entremêlés augmentent le risque de choc électrique.
- e) **Lorsque un appareil est utilisé à l'extérieur, utilisez uniquement un câble prolongateur prévu à cet effet.** L'utilisation d'un câble à usage extérieur réduit le risque de choc électrique.
- f) **Si vous êtes contraint d'utiliser un outil électrique dans un environnement humide, utilisez une alimentation protégée par un dispositif à courant résiduel (RCD).** L'utilisation d'un RCD réduit le risque de décharge électrique.

#### 3) Sécurité personnelle

- a) **Restez vigilant, gardez un œil sur ce que vous faites et utilisez votre sens commun lors de l'utilisation d'un appareil électrique. N'utilisez pas un appareil électrique si vous êtes fatigué ou si vous êtes sous l'influence de drogues, d'alcool**

- ou si vous prenez des médicaments.** Un moment d'inattention lors de l'utilisation des appareils électriques peut entraîner des blessures graves.
- b) **Utilisez un équipement de protection personnelle. Protégez-vous toujours les yeux.** Les équipements de protection, tels qu'un masque à poussière, des chaussures antidérapantes, des protections auditives ou un casque de sécurité, utilisés dans de bonnes conditions, réduiront le risque de blessures.
- c) **Prévenez tout démarrage involontaire. Assurez-vous que l'interrupteur est sur la position "arrêt avant de brancher l'appareil.** En effet, le transport des appareils électriques en gardant vos doigts sur l'interrupteur, ou le branchement de ces appareils en ayant l'interrupteur sur "marche accidents.
- d) **Retirez les clés de réglage ou les clés de vis de réglage avant d'allumer l'appareil électrique.** Une clé de vis de réglage ou une clé, laissée sur une pièce en mouvement de l'appareil électrique, peut entraîner des lésions corporelles.
- e) **Ne pas se précipiter. Gardez toujours vos pieds à plat et gardez votre équilibre.** Ceci permet de mieux contrôler l'appareil électrique dans des situations imprévues.
- f) **Habilitez-vous convenablement. Ne portez pas de vêtements lâches ou de bijoux. Gardez vos cheveux, vêtements et gants éloignés des pièces actionnées.** En effet, ces derniers peuvent être pris dans les pièces en action.
- g) **Si les appareils sont fournis pour la connexion des équipements d'évacuation et de récupération de la poussière, assurez-vous que ces derniers soient correctement connectés et utilisés.** L'utilisation de ces appareils peut réduire les risques liés à la poussière.
- h) **Ne pensez pas être familiarisé avec l'outil après l'avoir utilisé à de nombreuses reprises, au point de ne plus rester vigilant et d'en oublier les consignes de sécurité.** Toute action imprudente peut engendrer de graves blessures en une fraction de seconde
- 4) **Utilisation et entretien d'un appareil électrique**
- a) **Ne forcez pas l'appareil électrique. Utilisez l'appareil électrique adéquat pour votre application.** Un appareil électrique correctement choisi assurera un meilleur travail et un travail sans danger, au rythme auquel il a été conçu.
- b) **N'utilisez pas l'appareil électrique si l'interrupteur marche/arrêt ne fonctionne pas.** Un appareil électrique qui ne peut pas être commandé par l'interrupteur de contrôle est dangereux et doit être réparé.
- c) **Débranchez la prise du bloc d'alimentation avant d'effectuer des réglages, de changer des accessoires, ou de ranger les appareils électriques.** Ces mesures de sécurité préventives réduiront le risque de démarrage involontaire de l'appareil électrique.
- d) **Rangez les appareils électriques arrêtés hors de la portée des enfants et ne laissez aucune personne, non familiarisée avec l'outil ou ces instructions, utiliser l'appareil électrique.** Les appareils électriques sont dangereux entre les mains d'utilisateurs non formés.
- e) **Entretenez les appareils électriques. Vérifiez tout défaut d'alignement et l'enchaînement des pièces actionnées, la rupture de ces dernières, et les autres conditions qui peuvent affecter le fonctionnement des appareils électriques. En cas de dommages, faites réparer l'appareil électrique avant de le réutiliser.** Nombreux sont les accidents provoqués par des appareils électriques mal entretenus.
- f) **Veillez à garder les outils coupants aiguisés et propres.** Des outils coupants correctement entretenus avec des lames aiguisées sont moins susceptibles de se bloquer et sont plus faciles à contrôler.
- g) **Utilisez l'appareil électrique, les accessoires et les embouts, etc., conformément à ces instructions et de la manière prévue pour le type spécifique de l'appareil électrique, en prenant en compte les conditions de travail et le travail à effectuer.** L'utilisation de l'appareil électrique dans des applications différentes de celles prévues peut entraîner des situations dangereuses.
- h) **Gardez les poignées et les surfaces de préhension sèches, propres et exemptes d'huile et de graisse.** Des poignées et des surfaces de préhension glissantes ne permettent pas de manipuler et de contrôler l'outil correctement en cas de situations inattendues.
- 5) **Utiliser et soigner les outils à batterie**
- a) **Rechargez la batterie uniquement avec le chargeur spécifié par le fabricant.** Un chargeur adapté à une certaine batterie peut être cause de danger d'incendie quand on l'utilise avec une batterie différente.
- b) **Utilisez chaque outil uniquement avec la batterie conçue pour lui.** L'utilisation de toute autre batterie peut être cause de danger de blessure ou d'incendie.



- c) **Lorsque une batterie n'est pas en usage, gardez-la hors d'atteinte d'objets métalliques tels que les trombones, pièces de monnaie, clés, clous, vis et autres petits objets métalliques pouvant faire le contact entre une borne et l'autre.** Un court-circuit entre les bornes de la batterie peut être cause de brûlures ou d'incendie.
- d) **Dans des circonstances extrêmes, du liquide peut gicler hors de la batterie ; évitez tout contact. En cas de contact accidentel, rincez à l'eau. En cas de contact du liquide avec les yeux, consultez un médecin.** Le liquide qui giclé d'une batterie peut causer irritations ou brûlures.
- e) **N'utilisez pas un bloc-batterie ou un outil endommagé ou modifié.** Une batterie endommagée ou altérée peut avoir un comportement imprévisible qui peut conduire à un incendie, une explosion ou un risque de blessure.
- f) **N'exposez pas le bloc-batterie ou l'outil au feu ou à des températures excessives.** L'exposition au feu ou à des températures dépassant 130 °C peut provoquer une explosion. REMARQUE La température de "130°C" peut être remplacé par la température de "265°F".
- g) **Respectez les instructions pour la charge et ne rechargez pas le bloc-batterie ou l'outil à une plage de températures hors de celle spécifiée dans les instructions.** Une charge mal effectuée ou à des températures hors de la plage spécifiée peut endommager la batterie et augmente le risque d'incendie.
- 6) Maintenance**
- a) **L'entretien de votre outil électrique doit être confié à un réparateur qualifié qui utilise uniquement des pièces de rechange identiques aux pièces d'origine.** Cela permet d'assurer la sécurité de l'outil électrique
- b) **Ne réparez jamais des blocs-batteries endommagés.** Les réparations sur les blocs-batteries ne doivent être effectuées que par le fabricant ou l'un de ses prestataires de services agréés.

## AVERTISSEMENTS DE SÉCURITÉ SUPPLÉMENTAIRES

- **Les scies à onglets sont destinées à couper le bois ou des produits assimilés, et ne peuvent pas être utilisées avec une meule tronçonneuse pour la coupe de matériaux ferreux tels que des barres, tiges, goujons, etc. La poussière d'abrasif provoque le coincement des pièces mobiles telles que le protecteur inférieur.** Les étincelles

généérées par une coupe abrasive provoquent l'inflammation du protecteur inférieur, de l'insert de saignée et des autres pièces en plastique.

- **Utiliser dans toute la mesure du possible des presseurs pour soutenir la pièce. En cas de soutien de la pièce à la main, il faut toujours maintenir la main à une distance d'au moins 100mm de chaque côté de la lame de scie. Ne pas utiliser cette scie pour couper des pièces qui sont trop petites pour pouvoir être serrées en toute sécurité ou tenues à la main.** Une main placée trop près de la lame de scie augmente le risque de blessure par contact avec la lame.
- **La pièce doit être fixe et serrée ou maintenue contre le guide et la table. Ne jamais avancer la pièce dans la lame ou ne jamais couper "à main levée".** Des pièces non maintenues ou mobiles peuvent être éjectées à des vitesses élevées et provoquer de ce fait des blessures.
- **Scier la pièce en exerçant une poussée sur la scie. Ne pas scier la pièce en exerçant une traction sur la scie. Pour effectuer une coupe, lever la tête d'abattage et la placer au-dessus de la pièce sans la couper, lancer le moteur, appuyer sur la tête d'abattage et scier la pièce en exerçant une poussée sur la scie.** Une opération de coupe tirante est susceptible de provoquer le déplacement de la lame de scie vers le sommet de la pièce et de propulser violemment ainsi l'assemblage de la lame vers l'opérateur.
- **Ne jamais croiser la main avec la ligne de coupe prévue que ce soit devant ou derrière la lame de scie.** Soutenir la pièce "main croisée", c'est-à-dire en maintenant la pièce du côté droit de la lame de scie avec la main gauche ou inversement est très dangereux.
- **Ne pas approcher les mains de la partie arrière du guide à une distance de moins de 100 mm par rapport à chaque côté de la lame de scie, afin de retirer des copeaux de bois, ou pour toute autre raison, et ce, alors que la lame tourne.** La proximité de la lame de scie en rotation et de la main peut ne pas être évidente et peut risquer de provoquer de graves blessures.
- **Examiner la pièce avant de la couper. Si la pièce est courbée ou gauchie, la serrer avec la face courbée extérieure dirigée vers le guide. Toujours s'assurer de l'absence d'espace entre la pièce, le guide et la table le long de la ligne de coupe.** Les pièces pliées ou gauchies peuvent se tordre ou se décaler et peuvent entraîner un blocage de la lame de scie en rota-

tion lors de la coupe. Il convient que la pièce ne comporte aucun clou ni aucun corps étranger.

- **Ne pas utiliser la scie tant que la table n'est pas dégagée de tous les outils, copeaux de bois, etc., à l'exception de la pièce.** Les petits débris, les morceaux de bois détachés ou d'autres objets en contact avec la lame en rotation peuvent être éjectés avec une vitesse élevée.
  - **Ne couper qu'une seule pièce à la fois.** Plusieurs pièces empilées ne peuvent être serrées ou entourées de manière appropriée et peuvent bloquer la lame ou se décaler lors de la coupe.
  - **S'assurer que la scie à onglets est montée ou placée sur une surface de travail solide de niveau avant utilisation.** Une surface de travail solide de niveau réduit le risque d'instabilité de la scie à onglets.
  - **Planifier votre travail. À chaque changement de réglage de l'angle de biseau ou d'onglet, s'assurer que le guide réglable est réglé correctement afin de soutenir la pièce, et n'affecte pas la lame ou le système de protection.** Sans mettre l'outil en position "MARCHE" et sans aucune pièce placée sur la table, déplacer la lame de scie en simulant une coupe complète afin de s'assurer de l'absence de tout obstacle ou de tout risque de sectionnement du guide.
  - **Prévoir un support approprié tel que des rallonges de table, des chevalets de sciage, etc. pour une pièce plus large ou plus longue que le plateau de la table.** Des pièces plus longues ou plus larges que la table de la scie à onglets peuvent basculer si elles ne sont pas soutenues de manière sûre. Un basculement de la pièce coupée ou de la pièce à couper peut soulever le protecteur inférieur ou la pièce coupée ou à couper peut être éjectée par la lame en rotation.
  - **Ne pas demander à une tierce personne de servir de rallonge de table ou de support supplémentaire.** Un support instable de la pièce peut entraîner le blocage de la lame ou le décalage de la pièce lors de la coupe, vous entraînant, de même que l'assistant, dans la lame en rotation.
  - **La pièce coupée ne doit pas être coincée ou comprimée par quelque moyen que ce soit contre la lame de scie en rotation.** Si elle devait être enserrée, c'est-à-dire à l'aide de butées longitudinales, la pièce coupée pourrait être coincée contre la lame et être éjectée violemment.
  - **Toujours utiliser un presseur ou un appareil de serrage conçu pour soutenir correctement tout matériau rond tel que des tiges ou des tubes.**
- Les tiges ont tendance à rouler lors de leur coupe, ce qui provoque une "action de morsure" de la lame et entraîne la pièce et la main dans ladite lame.
- **Laisser la lame atteindre sa vitesse maximale avant qu'elle n'entre en contact avec la pièce.** Cela réduit le risque d'éjection de la pièce.
  - **Lorsque la pièce ou la lame est coincée, mettre la scie à onglets en position arrêt. Attendre l'arrêt complet de toutes les parties mobiles et débrancher la prise de la source d'alimentation et/ou retirer le bloc-piles. Libérer ensuite le matériau coincé.** Un sciage continu avec une pièce coincée peut entraîner une perte de contrôle ou endommager la scie à onglets.
  - **Une fois la coupe achevée, relâcher l'interrupteur de puissance, abaisser la tête d'abattage et attendre l'arrêt de la lame avant de retirer la pièce coupée.** Il est dangereux d'approcher la main de la lame qui continue de tourner.
  - **Maintenir la poignée fermement lors de la réalisation d'une coupe incomplète ou lors du relâchement de l'interrupteur de puissance avant que la tête d'abattage ne soit totalement à l'arrêt.** Le freinage de la scie peut provoquer une saccade descendante de la tête d'abattage, entraînant de ce fait un risque de blessure.
  - **Veillez à une bonne propreté du poste de travail.** Les mélanges de matériau sont particulièrement dangereux. La poussière de métal fine peut s'enflammer ou exploser.
  - **N'utilisez pas de lames émoussées, fissurées, déformées ou endommagées. Les lames aux dents émoussées ou mal alignées génèrent lors de la coupe une fente trop étroite. Il en résulte une friction anormalement élevée ainsi qu'un plus grand risque de coincement de la lame, de rebond ou de contrecoup.**
  - **N'utilisez pas de lames en acier HSS (acier rapide).** De telles lames se cassent facilement.
  - **Toujours utiliser des lames de scie de dimensions et de forme appropriées des alésages centraux (lame de scie au diamant contre lame de scie ronde).** Des lames qui ne sont pas conformes aux matériels de montage de la scie seront excentrées, provoquant une perte de contrôle.
  - **Ne remplacez en aucun cas le laser intégré contre un laser d'un autre type.** Un laser inadapté à cet outil électroportatif pourrait représenter un danger pour les personnes.
  - **N'essayez jamais d'enlever des résidus de coupe, copeaux de bois ou autre de la zone de**

**coupe pendant le fonctionnement de l'outil électroportatif.** Amenez le bras de l'outil en position de repos puis éteignez l'outil électroportatif.

- **Après avoir utilisé la scie, ne touchez pas la lame avant qu'elle ne soit refroidie.** La lame de scie s'échauffe fortement en cours d'utilisation.
- **Assurez-vous que les étiquettes d'avertissement qui se trouvent sur l'outil électroportatif soient toujours lisibles.**
- **Au cas où le faisceau laser frappe un oeil, fermez immédiatement les yeux et déplacez la tête pour l'éloigner du faisceau. N'apportez jamais de modifications au dispositif laser.**
- **N'utilisez pas d'instruments optiques collecteurs de lumière (jumelles, etc.) pour regarder la source de rayonnement.** Vous pourriez vous abîmer les yeux.
- **Ne dirigez pas le faisceau laser vers des personnes en train de regarder à travers des jumelles ou un autre instrument optique.** Vous pourriez leur causer des lésions oculaires.
- **N'apportez aucune modification au dispositif laser.** Vous pouvez faire usage sans danger des possibilités de réglage décrites sans cette notice.
- **Ne restez pas en ligne avec la lame de scie devant l'outil électrique.** Restez toujours sur le côté de la lame de scie. Cela permet de vous protéger contre un éventuel rebond.
- **Gardez toujours vos mains, vos doigts et vos bras loin de la lame de scie en rotation.**
- **Ne croisez pas les mains devant le bras de l'outil.**
- **Évitez toute surchauffe des dents de la scie. Si la lame de scie surchauffe, arrêtez la machine.** Laissez la lame de scie refroidir avant de réutiliser la machine.
- **Remplacez immédiatement les lames de scie endommagées et usées.**
- **N'utilisez que des lames de scie qui correspondent aux spécifications données dans ce manuel d'utilisation, qui ont été testées et qui sont marquées conformément à la norme EN 847-1.**
- **Si vous sciez des pièces incurvées ou rondes, elles doivent être tout spécialement fixées pour les empêcher de glisser. Au niveau de la ligne de coupe, il ne doit y avoir aucun espace entre l'ouvrage, la garde et le plateau de la scie.** Vous devez si nécessaire fabriquer des fixations spéciales.

- N'utilisez pas la machine si le câble secteur ou la fiche secteur est endommagé.
- Utilisez uniquement des rallonges adaptées à la puissance nominale de la machine et d'une section minimum de 1,5 mm<sup>2</sup>. Si vous utilisez une bobine de rallonge, déroulez toujours complètement le câble.

## 2. INFORMATIONS RELATIVES À LA MACHINE

### Utilisation prévue

L'outil est une machine fixe conçue pour réaliser des coupes droites longitudinales et transversales dans le sens du fil du bois et dans le sens inverse. Il est possible de scier des angles d'onglets de -45° à +45° et des angles biseautés de -0° à +45°. L'outil électrique avec la lame de scie en place a une capacité nominale prévue pour scier le bois dur et le bois tendre ainsi que les panneaux d'aggloméré et de fibre. La lame de scie n'est pas prévue pour scier le bois de chauffage. N'utilisez pas la scie pour scier d'autres matériaux que ceux spécifiés dans ce manuel.

### SPÉCIFICATIONS TECHNIQUES

N° de modèle	MS502AC
Tension	220-240V~
Fréquence	50 Hz
Puissance	2000W
Vitesse à vide	4500/min
Angle de coupe d'onglet	-45° <> +45°
Angle de biseautage	-45° < 0° Vers la gauche
Spécifications de la lame de scie:	
Diamètre	Ø 254 mm
Épaisseur de corps	1,6 mm
Largeur de coupe	2,8 mm
Diamètre de l'alésage	Ø 30 mm
Nombre de dents	60T
Capacité maximale de sciage (hauteur x largeur):	
Onglet 0° - Biseau 0°	90 x 340 mm
Onglet 0° - Biseau 45°	45 x 340 mm
Onglet 45° - Biseau 0°	90 x 240 mm
Onglet 45° - Biseau 45°	45 x 240 mm
Dimensions minimales de la pièce	3 x 10 mm

### Sécurité électrique



Vérifiez si la tension d'alimentation électrique correspond bien à celle de la plaque signalétique.

Spécifications laser:	
Classe	2
Longueur d'onde	650 nm
Puissance	< 1 mW
Poids	14,3 kg
Lpa (pression sonore)	97,2 +3 dB(A)
Lwa (capacité acoustique)	110,2 +3 dB(A)
Valeur vibratoire	<2,5 m/s <sup>2</sup>

### Niveau de vibrations

Le niveau des vibrations émises, indiqué dans ce manuel, a été mesuré conformément à la procédure décrite par la norme EN60745. Il peut être utilisé pour comparer deux outils ou pour réaliser une estimation préalable de l'exposition aux vibrations lors de l'utilisation de l'outil pour les applications mentionnées.

- L'utilisation de l'outil dans d'autres applications ou avec des accessoires différents ou mal entretenus peut considérablement augmenter le niveau d'exposition.
- La mise hors tension de l'outil et sa non-utilisation pendant qu'il est allumé peuvent considérablement réduire le niveau d'exposition. Protégez-vous contre les effets des vibrations par un entretien correct de l'outil et de ses accessoires, en vous échauffant les mains et en organisant vos rythmes de travail.

## DESCRIPTION

Les numéros dans le texte se rapportent aux schémas des pages 2-6.

1. Bouton de déverrouillage
2. Poignée
3. Interrupteur Marche/Arrêt
4. Carter de protection
5. Carter de protection rétractable
6. Lame de scie
7. Garde réglable
8. Butée en longueur
9. Garde
10. Rallonge de plateau
11. Plateau
12. Trous de fixation
13. Plaque de saignée
14. Bouton de réglage d'onglet
15. Levier de réglage d'onglet
16. Échelle de graduation de l'angle d'onglet
17. Repère de l'angle d'onglet

18. Laser
19. Repère de l'angle de biseau
20. Échelle de graduation de l'angle du biseau
21. Fixation pour l'ouvrage
22. Bouton de réglage du biseau
23. Rouleau
24. Boulon de réglage de profondeur
25. Rails coulissants
26. Sac à poussière
27. Poignée de transport
28. Sortie d'échappement de la poussière
29. Boulon de verrouillage des rails coulissants
30. Protection contre le basculement vers l'arrière
31. Boulon d'arrêt de l'angle de biseau à 45°
32. Boulon d'arrêt de l'angle de biseau à 0°
33. Boulon de verrouillage pour la fixation de l'ouvrage
34. Boulon de verrouillage pour la rallonge du plateau
35. Boulon de verrouillage pour la garde réglable
36. Boulon de réglage pour la garde
37. Protection contre le basculement vers l'avant
38. Bouton de verrouillage de position
39. Vis sans tête
40. Boulon de retenue
41. Bride de fixation
42. Boulon de fixation
43. Verrouillage de l'axe
44. Bouton pour la fixation de l'ouvrage
45. Écrou moleté pour le réglage de la profondeur
46. Lampe de travail LED
47. Vis du cache du laser
48. Vis de réglage du laser
49. Écrou de verrouillage de l'angle du biseau à 45°
50. Écrou de verrouillage de l'angle du biseau à 0°
51. Boulons de la garde

## 3. MONTAGE



*Si vous voulez procéder à des travaux d'entretien sur le mécanisme, mettez la machine hors secteur.*

### Position pour le transport (Fig. B, C)

Le boulon de verrouillage de position (38) facilite le déplacement de l'outil électrique d'un lieu à un autre.

#### Déverrouiller la position de transport (position de travail)

1. Abaissez légèrement la poignée (2) ;
2. Tirez complètement le bouton de verrouillage

de position (38) vers l'extérieur et verrouillez-le en place en le tournant ;

3. Relevez doucement la poignée (2).

### Verrouiller la position de transport (position de transport)

Avant de verrouiller la position de transport, assurez-vous que le boulon de réglage de la profondeur (24) est réglé pour ne pas limiter la profondeur. De cette façon, il est possible de déplacer complètement la poignée (2) vers le bas sans toucher la butée de profondeur. Retirez également tous les accessoires qui ne peuvent pas être correctement fixés sur la machine.

1. Desserrez le boulon de verrouillage des rails coulissants (29) s'ils sont serrés ;
2. Tirez la poignée (2) vers vous (vers l'avant) et serrez le boulon de verrouillage des rails coulissants (29) ;
3. Abaissez complètement la poignée (2) ;
4. Verrouillez le bouton de verrouillage de position (38) en le tirant avant de le tourner ;
5. Enroulez le câble électrique et fixez-le à l'aide de l'attache de câble.

Après avoir verrouillé la position de transport, utilisez la poignée de transport (27) pour porter et transporter la machine en toute sécurité.



*N'utilisez que la poignée de transport pour déplacer la machine et jamais les carters de protection.*

### **Installer la machine fixe (Fig. A, B, D)**

Pour garantir la sécurité pendant la manipulation, l'outil électrique doit être installé sur une surface de travail plate et stable (un établi par exemple) avant son utilisation. Vous pouvez installer la machine de trois façons :

#### 1. Sur un établi

Dans ce cas la machine doit être fixée sur l'établi à l'aide de fixations vissées adaptées. Utilisez les quatre trous (12) pour le faire. Comme indiqué sur la fig. D

#### 2. Sur un sous-cadre



*Lisez tous les avertissements et toutes les instructions fournis avec le support de scie. Le non-respect des avertissements et des instructions peut entraîner un choc électrique, un incendie et/ou de graves blessures.*



*Assemblez le support de scie correctement avant d'y fixer l'outil électrique. Un bon assemblage est essentiel pour éviter les risques d'effondrement.*

Dans ce cas la machine doit être fixée sur le sous-cadre à l'aide de boulons. Utilisez les quatre trous (12) pour le faire. Le sous-cadre doit être ancré avec 4 boulons à une plaque de sol d'au moins 1m<sup>2</sup>. Installez l'outil électrique sur le support de scie en position de transport.

### 3. Installation polyvalente



*Ce type d'installation n'est pas recommandée par le fabricant.*

Si, dans certaines circonstances, il n'est pas possible d'installer l'outil électrique sur une surface de travail plate et stable, vous pouvez trouver un compromis en l'installant avec des dispositifs de protection contre le basculement.



*Sans dispositif de protection contre le basculement, l'outil électrique n'est pas stable et il peut basculer, notamment pendant les découpes aux angles d'onglet et/ou de biseau maximum.*

- Desserrez la vis sans tête (39) à l'aide d'une clé à six pans. Glissez complètement le dispositif anti-basculement arrière (30) vers l'extérieur, comme illustré par les figures E1 et E2. Resserrez ensuite la vis sans tête (39).
- Pivotez le dispositif anti-basculement avant (37) vers l'intérieur ou l'extérieur comme illustré par la figure F, jusqu'à ce que l'outil électrique soit de niveau par rapport à la surface de travail.

### **Contrôler le carter de protection (Fig. A)**

Le carter de protection rétractable (5) protège contre le contact accidentel avec la lame de scie et contre les copeaux qui peuvent être projetés. Avant d'utiliser la machine, le bon fonctionnement du carter de la lame de scie doit être contrôlé. Pour ce faire, abaissez la poignée (2) et vérifiez ce qui suit :

- Le carter de protection rétractable (5) doit pouvoir donner accès à la lame de scie (6) sans entrer en contact avec les autres pièces.
- Lorsque la scie est mise en position de démarrage, le carter de protection rétractable (5) doit

complètement et automatiquement recouvrir toute la lame de scie (6).

### Remplacer la lame de scie (Fig. G)



*Avant de procéder à une opération quelle qu'elle soit sur la machine, débranchez la prise électrique de la source d'alimentation.*



*Portez des gants de protection pour installer la lame de scie. Risque de blessure en cas de contact avec la lame.*



*N'utilisez que des lames de scie correspondant aux caractéristiques mentionnées dans les instructions d'utilisation. N'utilisez que des lames de scie marquées pour une vitesse égale ou supérieure à la vitesse marquée sur la machine.*



*N'utilisez en aucun cas des disques de meulage comme outils de coupe.*

Avant de remplacer la lame de scie, il est fortement conseillé de régler les angles d'onglet et de biseau sur 0°. L'accès pourrait sinon être limité.

### Retirer la lame de scie

1. Verrouillez la scie en position haute en utilisant le bouton de verrouillage de position (38) ;
2. Desserrez le boulon de retenue (40) à l'aide d'un tournevis cruciforme comme illustré par la figure G1 ; **AVERTISSEMENT !** Ne retirez pas complètement le boulon de retenue (40), contentez-vous de le desserrer.
3. Relevez le carter de protection rétractable (5) jusqu'à ce que le boulon de fixation (42) soit facilement accessible, comme illustré par la figure G2 ;
4. Insérez la clé à six pans dans le boulon de fixation (42). Le carter de protection rétractable (5) peut être libéré, il se rabat sur la clé à six pans.
5. Tournez le boulon de fixation (42) à l'aide de la clé à six pans (34) et appuyez simultanément sur le système de verrouillage de l'axe (43) jusqu'à ce qu'il s'enclenche.
6. Tenez fermement le système de verrouillage de l'axe (43) et desserrez le boulon de fixation (42) en le tournant dans le sens des aiguilles d'une montre (filetage gauche).
7. Retirez le boulon de fixation (42) et la bride de

fixation (41). La lame de scie (6) peut ensuite être retirée.

### Installer la lame de scie



*En installant la lame de scie, assurez-vous que le sens de coupe des dents (sens de la flèche sur la lame de scie) correspond au sens de la flèche sur le carter (4).*



*En installant la lame de scie (6), contrôlez qu'elle tourne librement dans la plaque de saignée (13) à 0° comme à 45°.*

1. Nettoyez la lame de scie et toutes les pièces de fixation devant être assemblées.
2. Desserrez le boulon de retenue (40) à l'aide d'un tournevis cruciforme comme illustré par la figure G1 ; **AVERTISSEMENT !** Ne retirez pas complètement le boulon de retenue (40), contentez-vous de le desserrer.
3. Relevez le carter de protection rétractable (5) jusqu'à ce que le boulon de fixation (42) soit facilement accessible, comme illustré par la figure G2 ;
4. Insérez la clé à six pans dans le boulon de fixation (42). Le carter de protection rétractable (5) peut être libéré, il se rabat sur la clé à six pans.
5. Installez la bride de fixation (41). Assurez-vous que les côtés plats de la bride de fixation coïncident avec les côtés plats de l'axe de la lame. Assurez-vous également que le côté convexe de la bride de fixation soit installé vers l'extérieur.
6. Installez le boulon de fixation (42) et tournez-le à l'aide de la clé à six pans tout en appuyant simultanément sur le système de verrouillage de l'axe (43) jusqu'à ce qu'il s'enclenche.
7. Tenez fermement le système de verrouillage de l'axe (43) et desserrez le boulon de fixation (42) en le tournant dans le sens inverse des aiguilles d'une montre.

### Extraire les poussières (Fig. A, B, W, X)



*Assurez-vous de la bonne aération du lieu de travail.*



*Portez des protections auditives.*

La poussière issue des matériaux comme les peintures au plomb et certains types de bois peuvent

être dangereuses pour la santé. Respirer cette poussière peut engendrer des réactions allergiques et/ou des maladies respiratoires aux utilisateurs et aux personnes à proximité. Certaines poussières comme celles de chêne ou du hêtre sont cancérogènes, notamment si elles contiennent des additifs pour le traitement du bois (chromate, produit de protection du bois). Nous vous recommandons fortement d'utiliser, dans la mesure du possible, un système d'extraction des poussières adapté à la matière sciée.



*Évitez l'accumulation de poussière sur le lieu de travail. La poussière est très inflammable.*

Le système d'extraction des poussières peut être obstrué par de la poussière, des copeaux ou des fragments de l'ouvrage. Il doit donc être nettoyé régulièrement. Pour ce faire :

1. Débranchez la prise de l'alimentation électrique.
2. Attendez que la lame de scie se soit complètement arrêtée.
3. Supprimez le cas échéant tout ce qui fait blocage

#### Installer le sac à poussière (Fig. W)

Enfoncez l'attache du sac à poussière (26) et glissez-la sur le raccord de sortie de la poussière (28) à l'arrière de la machine. Le sac à poussière reste en place quand l'attache est relâchée.

#### Raccorder un aspirateur (Fig. X)



*L'extracteur de poussière doit être adapté à la matière aspirée.*



*Utilisez un extracteur spécial pour aspirer la poussière sèche qui est particulièrement nocive pour la santé ou cancérogène.*

Il est possible de raccorder un tuyau d'aspirateur sur le raccord de sortie de la poussière (28). Pour ce faire, il suffit simplement de raccorder le tuyau d'aspiration sur l'embout d'extraction des poussières.

## 4. FONCTIONNEMENT



*Avant d'allumer la machine, contrôlez toujours que la lame de scie est correctement installée. La lame doit tourner de façon sans entrave.*



*Contrôlez toujours les carters de protection avant d'utiliser la machine.*



*Pour toutes les coupes, assurez-vous que la lame de scie ne peut en aucun cas et à aucun moment entrer en contact avec la garde, la fixation pour l'ouvrage ou les pièces de la machine. Retirez toutes les butées auxiliaires installées ou réglez-les en conséquence.*

#### Soutenir l'ouvrage (Fig. H)

Les ouvrages doivent toujours être correctement soutenus. Les rallonges de plateau (10) peuvent être étendues à gauche et à droite pour soutenir l'ouvrage. Pour ce faire :

1. Desserrez le boulon de verrouillage de la rallonge du plateau (34) ;
2. Déplacez la rallonge du plateau (10) jusqu'à la position voulue ;
3. Serrez le boulon de verrouillage de la rallonge du plateau (34).

Pour scier des pièces très longues, les extrémités libres doivent être soutenues par le dessous avec un élément supplémentaire.

#### Fixer l'ouvrage (Fig. H)

Les pièces à scier doivent toujours être correctement fixées. La fixation pour l'ouvrage (21) peut être placée à gauche et à droite de l'ouvrage. Pour ce faire :

1. Assurez-vous que l'ouvrage est fermement appuyé contre la garde (9) ;
2. Insérez la fixation pour l'ouvrage fournie (21) dans l'un des trous prévus à cet effet, comme illustré par la figure H ;
3. Réglez la tige filetée de la fixation pour l'ouvrage (21) en fonction de la hauteur de l'ouvrage ;
4. Serrez fermement la tige filetée de la fixation pour l'ouvrage (21) pour fixer l'ouvrage en place. Pour libérer l'ouvrage, il suffit de desserrer la tige filetée de la fixation pour l'ouvrage (21).

Le bouton de la fixation pour l'ouvrage (44) peut être utilisé pour régler la hauteur de la fixation (21) plus rapidement. Après avoir réglé la hauteur, serrez toujours fermement la tige filetée de la fixation pour l'ouvrage (21) pour fixer l'ouvrage en place.

**Régler la garde (Fig. H)**

Réglez toujours la garde en fonction de la coupe spécifique à effectuer.

Pour les coupes d'onglet et/ou en biseau, vous devez déplacer la garde réglable (7) en fonction du sens de la coupe. De cette façon, l'ouvrage est toujours correctement soutenu par la garde quelque que soit les circonstances. Pour ce faire :

1. Desserrez le boulon de verrouillage de la garde réglable (35) ;
2. Réglez la garde en fonction de la coupe voulue. Pour les coupes d'onglet et les coupes droites, la garde doit être déplacée vers l'intérieur, vers la lame (maxi 8 mm), sans la toucher. Pour les coupes en biseau, la garde doit toujours être déplacée vers l'extérieur, loin de la lame (maxi 8 mm), sans la toucher ;
3. Serrez le boulon de verrouillage de la garde réglable (35) ;
4. Afin de garantir que la lame n'entre pas en contact avec la garde réglable (35), il est conseillé de faire un test du déplacement de la lame, sans allumer la machine.

**Régler l'angle d'onglet (Fig. A)**

L'angle d'onglet peut être réglé entre 45° du côté gauche et 45° du côté droit. Pour un réglage rapide et précis des angles d'onglet les plus couramment utilisés, des pré-réglages sont indiqués sur le plateau de la scie à 0°, 15°, 22,5°, 30° et 45°.

Régler l'angle d'onglet à un angle prédéfini :

1. Desserrez le bouton de réglage de l'angle d'onglet (14) ;
2. Tirez le levier de réglage de l'angle d'onglet (15) et pivotez le plateau (11) à gauche ou à droite jusqu'au pré-réglage voulu. L'angle peut être lu sur l'échelle de graduation de l'angle d'onglet (16) grâce au repère (17).
3. Relâchez le levier. Vous devez sentir que le levier s'engage dans le cran du pré-réglage.
4. Serrez le bouton de réglage de l'angle d'onglet (14).

Régler un angle d'onglet quelconque :

1. Desserrez le bouton de réglage de l'angle d'onglet (14) ;
2. Tirez le levier de réglage de l'angle d'onglet (15) et pivotez le plateau (11) à gauche ou à droite

jusqu'à la position voulue. L'angle peut être lu sur l'échelle de graduation de l'angle d'onglet (16) grâce au repère (17).

3. Relâchez le levier et serrez le bouton de réglage de l'angle d'onglet (14).

**Régler l'angle de biseau (Fig. A, B)**

L'angle de biseau peut être réglé entre 0° et +45° du côté gauche. Pour ce faire :

1. Desserrez le bouton de réglage du biseau (22) ;
2. Inclinez la scie à l'aide de la poignée (2) jusqu'à ce que le repère (19) indique la position voulue sur l'échelle de graduation du biseau (20) ;
3. Serrez le bouton de réglage du biseau (22).

**Allumer et éteindre la machine (Fig. A)**

- Pour démarrer la machine, maintenez le bouton de déverrouillage (1) enfoncé et appuyez sur l'interrupteur Marche/Arrêt (3).
- Pour éteindre la machine, relâchez l'interrupteur Marche/Arrêt (3).

**Effectuer une coupe transversale (Fig. I, J)**

Respectez ces étapes pour scier perpendiculairement par rapport au fil du bois :

1. Réglez l'angle d'onglet et l'angle de biseau sur 0° ;
2. Déplacez la garde réglable vers l'intérieur, vers la lame. La distance maximum entre la garde réglable (35) et la lame de scie (6) est de 8mm, comme illustré par la figure J. Assurez-vous que la garde ne touche pas la lame.
3. Fixez fermement l'ouvrage ;
4. Allumez la machine. Assurez-vous que la lame de scie tourne à pleine vitesse ;
5. Abaissez alors doucement la poignée de sorte que la lame de scie coupe à travers l'ouvrage et qu'elle passe par la fente dans le plateau. Ne forcez pas trop sur la scie, laissez la machine fonctionner à son rythme ;
6. Relevez doucement la poignée et éteignez la machine en relâchant l'interrupteur.

**Effectuer une coupe d'onglet (Fig. J, K)**

Respectez ces étapes pour scier en biais sur la face avant du bois :

1. Réglez l'angle d'onglet à la position voulue et l'angle de biseau sur 0° ;
2. Déplacez la garde réglable vers l'intérieur, vers la lame. La distance maximum entre la garde réglable (35) et la lame de scie (6) est de 8mm,



comme illustré par la figure J. Assurez-vous que la garde ne touche pas la lame.

3. Fixez fermement l'ouvrage ;
4. Allumez la machine. Assurez-vous que la lame de scie tourne à pleine vitesse ;
5. Abaissez alors doucement la poignée de sorte que la lame de scie coupe à travers l'ouvrage et qu'elle passe par la fente dans le plateau. Ne forcez pas trop sur la scie, laissez la machine fonctionner à son rythme ;
6. Relevez doucement la poignée et éteignez la machine en relâchant l'interrupteur.

#### Effectuer une coupe en biseau (Fig. L, M)

Respectez ces étapes pour scier le bord du bois en biseau :

1. Réglez l'angle d'onglet à 0° et l'angle de biseau à la position voulue ;
2. Déplacez la garde réglable vers l'extérieur, loin de la lame. La distance maximum entre la garde réglable (35) et la lame de scie (6) est de 8mm, comme illustré par la figure M. Assurez-vous que la garde ne touche pas la lame.
3. Fixez fermement l'ouvrage. Assurez-vous d'avoir placé la fixation pour l'ouvrage du côté droit ;
4. Allumez la machine. Assurez-vous que la lame de scie tourne à pleine vitesse ;
5. Abaissez alors doucement la poignée de sorte que la lame de scie coupe à travers l'ouvrage et qu'elle passe par la fente dans le plateau. Ne forcez pas trop sur la scie, laissez la machine fonctionner à son rythme ;
6. Relevez doucement la poignée et éteignez la machine en relâchant l'interrupteur.

#### Effectuer une coupe combinée (Fig. M, N)

Respectez ces étapes pour effectuer une coupe combinée, onglet et biseau :

1. Réglez l'angle d'onglet et l'angle de biseau à la position voulue ;
2. Déplacez la garde réglable vers l'extérieur, loin de la lame. La distance maximum entre la garde réglable (35) et la lame de scie (6) est de 8mm, comme illustré par la figure M. Assurez-vous que la garde ne touche pas la lame.
3. Fixez fermement l'ouvrage. Assurez-vous d'avoir placé la fixation pour l'ouvrage du côté droit ;
4. Allumez la machine. Assurez-vous que la lame de scie tourne à pleine vitesse ;
5. Abaissez alors doucement la poignée de sorte que la lame de scie coupe à travers l'ouvrage

et qu'elle passe par la fente dans le plateau. Ne forcez pas trop sur la scie, laissez la machine fonctionner à son rythme ;

6. Relevez doucement la poignée et éteignez la machine en relâchant l'interrupteur.

#### Utiliser la fonction coulissante

Pour les très grandes pièces, la machine est équipée d'une fonction coulissante. Pour utiliser la fonction coulissante, assurez-vous de desserrer le boulon de verrouillage des rails coulissants (29). Tirez la poignée (2) loin de la garde (9) jusqu'à ce que la lame de scie se trouve devant l'ouvrage. Guidez lentement le bras de l'outil vers le bas à l'aide de la poignée et poussez ensuite la poignée (2) vers la garde (9) et la scie à travers l'ouvrage d'un geste fluide.

Pour les petites pièces, il est possible de fixer la fonction coulissante en position arrière à l'aide du boulon de verrouillage des rails coulissants (29). Si des coupes à plusieurs largeurs différentes sont nécessaires, il faut alors desserrer le boulon de verrouillage des rails coulissants (29).

#### Utiliser la butée en longueur (Fig. O)

La butée en longueur (8) sur les rallonges de plateau, gauche et droite (10), peut être utilisée pour faciliter la découpe de pièces à la même longueur.

1. Déplacez la butée en longueur (8) vers le haut ;
2. Desserrez le boulon de verrouillage de la rallonge du plateau (34) ;
3. Réglez la rallonge du plateau (10) à la longueur voulue.
4. Serrez le boulon de verrouillage de la rallonge du plateau (34).

#### Régler la butée de profondeur (Fig. P)

La butée de profondeur peut être réglée pour limiter la profondeur de coupe. Elle sert à faciliter les opérations de rainurage. Pour ce faire :

1. Desserrez l'écrou moleté du système de réglage de la profondeur (45) ;
2. Réglez le bouton de réglage de profondeur (24) à la profondeur voulue ;
3. Serrez l'écrou moleté du système de réglage de la profondeur (45).

#### Allumer et éteindre le laser (Fig. B)

Appuyez sur l'interrupteur du laser (46) pour allumer et éteindre le laser. L'interrupteur du laser (46) allume également l'éclairage de travail LED.

## Réglage de précision



*Avant de procéder à un quelconque réglage, débranchez la prise électrique.*

Afin de garantir des coupes précises, les réglages de base de la scie doivent être contrôlés et ajustés avant la première utilisation et chaque fois que nécessaire après un usage intensif. Des outils spécifiques sont nécessaires. Le service après-vente Vonroc peut vous aider à le faire de façon rapide et fiable.

### Réglage précis du laser (Fig. Q)

Remarque : L'outil électrique doit être branché pour pouvoir tester le fonctionnement du laser.



*N'actionnez jamais l'interrupteur Marche/ Arrêt pendant le réglage du laser (en déplaçant le bras de l'outil par l'exemple). Tout démarrage intempestif de l'outil électrique peut engendrer des blessures.*

Si le laser (18) n'indique plus correctement la ligne de coupe, vous pouvez le régler. Pour ce faire :

1. Ouvrez les vis du cache (47) pour retirer le cache ;
2. Desserrez les vis de réglage du laser (48) et réglez le laser en le déplaçant jusqu'à ce que le faisceau rencontre la lame de scie (6) ;
3. Réinstallez le cache en resserrant ses deux vis (47).

### Réglage de précision du 0° de l'angle de biseau (Fig. R, S)

1. Réglez les angles d'onglet et du biseau sur 0° ;
2. Abaissez la poignée (2) et fixez-la à l'aide du bouton de verrouillage de position (38) ;
3. Verrouillez le déplacement du rail à l'aide du boulon de verrouillage des rails coulissants (29) ;
4. Réglez un rapporteur d'angle à 90° et placez-le sur le plateau (11), comme illustré par la figure S. La jambe du rapporteur d'angle doit affleurer la lame de scie (6) sur toute sa longueur ;
5. Desserrez l'écrou de verrouillage pour le 0° de l'angle de biseau (50) ;
6. Réglez le boulon d'arrêt pour le 0° de l'angle de biseau (32) jusqu'à ce que la jambe du rapporteur d'angle affleure la lame de scie sur toute sa longueur ;
7. Resserrez l'écrou de verrouillage du 0° de l'angle de biseau (50).

Contrôlez ensuite la position du repère de l'angle (19). Si nécessaire, desserrez le pointeur à l'aide d'un tournevis cruciforme, réglez la position 0° sur l'échelle de graduation de l'angle du biseau (20) et resserrez la vis de retenue.

### Réglage de précision du 45° de l'angle de biseau (Fig. R, T)

1. Réglez les angles d'onglet et du biseau sur 45° ;
2. Abaissez la poignée (2) et fixez-la à l'aide du bouton de verrouillage de position (38) ;
3. Verrouillez le déplacement du rail à l'aide du boulon de verrouillage des rails coulissants (29) ;
4. Réglez un rapporteur d'angle à 90° et placez-le sur le plateau (11), comme illustré par la figure T. La jambe du rapporteur d'angle doit affleurer la lame de scie (6) sur toute sa longueur ;
5. Desserrez l'écrou de verrouillage pour le 45° de l'angle de biseau (49) ;
6. Réglez le boulon d'arrêt pour le 45° de l'angle de biseau (31) jusqu'à ce que la jambe du rapporteur d'angle affleure la lame de scie sur toute sa longueur ;
7. Resserrez l'écrou de verrouillage du 45° de l'angle de biseau (49).

Contrôlez ensuite la position du repère de l'angle (19). Si nécessaire, desserrez le pointeur à l'aide d'un tournevis cruciforme, réglez la position 45° sur l'échelle de graduation de l'angle du biseau (20) et resserrez la vis de retenue.

### Réglage de précision du 0° de l'angle d'onglet (Fig. U, V)

1. Réglez un rapporteur d'angle à 0° sur le plateau (11) et placez-le entre la garde (9) et la lame de scie (6) ;
2. La jambe du rapporteur d'angle doit affleurer la lame de scie (6) sur toute sa longueur ;
3. Desserrez les quatre boulons de la garde (51) et réglez la garde (9) jusqu'à ce que la jambe du rapporteur d'angle affleure la lame de scie sur toute sa longueur ;
4. Resserrez les quatre boulons de la garde (51). Contrôlez ensuite la position du repère de l'angle (17). Si nécessaire, desserrez le pointeur à l'aide d'un tournevis cruciforme, réglez la position 0° sur l'échelle de graduation de l'angle d'onglet (16) et resserrez la vis de retenue.

## 5. ENTRETIEN



Avant le nettoyage et la maintenance, mettez toujours la machine hors tension et débranchez la fiche de la prise secteur.

Nettoyez le corps de la machine régulièrement au moyen d'un chiffon doux, de préférence après chaque utilisation. Vérifiez que les ouvertures d'aération ne sont pas obstruées ni sales. Utilisez un chiffon doux légèrement humidifié avec de la mousse de savon pour nettoyer les taches persistantes. N'utilisez pas de produits de nettoyage tels que l'essence, l'alcool, l'ammoniac, etc.; ces produits peuvent endommager les parties synthétiques.

### Nettoyez les carters de protection

Contrôlez toujours l'absence de débris sur le carter de protection (4) et le carter de protection rétractable (5) avant d'utiliser la machine. Retirez la poussière de sciage et les éclats à l'aide d'une brosse ou d'un élément similaire.

### Remplacer l'insert du plateau



Remplacez immédiatement les inserts de plateau endommagés.

Si un insert de plateau (13) est endommagé, il existe alors un risque que de petites pièces restent coincées entre l'insert du plateau et la lame de scie et bloquent la lame de scie. Pour remplacer l'insert du plateau :

1. Retirez les vis de l'insert du plateau à l'aide d'un tournevis cruciforme. Réglez, si nécessaire, les angles d'onglet et de biseau pour pouvoir accéder à ces vis ;
2. Retirez l'insert du plateau ;
3. Installez un insert de plateau neuf ;
4. Resserrez les vis à l'aide d'un tournevis cruciforme.

### Glissières

L'encrassement peut endommager les glissières (25) et donc aussi le bon fonctionnement de la machine.

- Nettoyez régulièrement les glissières à l'aide d'un chiffon mou.
- Enduisez les glissières de quelques gouttes de lubrifiant.
- Bougez la scie d'onglet en avant et en arrière de sorte que l'huile se répande sur toute la glissière.

## ENVIRONNEMENT



Les équipements électroniques ou électriques defectueux ou destinés à être mis au rebut doivent être déposés aux points de recyclage appropriés.

### Uniquement pour les pays de l'UE

Ne jetez pas les outils électriques avec les déchets domestiques. Selon la Directive européenne 2012/19/CE relative aux déchets d'équipements électriques et électroniques et sa mise en œuvre dans le droit national, les outils électriques hors d'usage doivent être collectés séparément et mis au rebut de manière écologique.

## GARANTIE

Les produits VONROC sont développés aux plus hauts standards de qualité et ils sont garantis contre les défauts de pièces et de main d'oeuvre pendant la durée légale stipulée à partir de la date d'achat d'origine du produit. En cas d'une quelconque panne du produit pendant cette durée qui serait due à un défaut matériel et/ou de main d'oeuvre, contactez directement VONROC.

Les circonstances suivantes ne sont pas prises en charge par la garantie :

- Des réparations ou altérations ont été effectuées ou tentées sur la machine par un centre de réparation non agréé.
- L'usure normale.
- L'outil a été maltraité, mal utilisé ou mal entretenu.
- Des pièces détachées non d'origine ont été utilisées.

Ceci constitue l'unique garantie accordée par la société explicitement ou implicitement. Il n'existe aucune autre garantie, explicite ou implicite, qui peut s'étendre au delà du contenu ici présent, y compris les garanties marchandes ou d'adaptation à des fins particulières. En aucun cas VONROC ne sera tenu responsable de dommages accidentels ou consécutifs. Les solutions proposées par les revendeurs devront se limiter à la réparation ou le remplacement des éléments ou pièces non conformes.

**Le produit et le manuel d'utilisation sont sujets à modifications. Les spécifications peuvent changer sans préavis.**

## 1. INSTRUCCIONES DE SEGURIDAD

Lea las advertencias de seguridad, las advertencias de seguridad adicionales y las instrucciones adjuntas. Si no respeta las advertencias de seguridad y las instrucciones, pueden ocasionarse descargas eléctricas, incendios y/o lesiones graves. Guarde las advertencias de seguridad y las instrucciones para su futura consulta.

En el manual de usuario y en el producto se emplean los siguientes símbolos:



Lea el manual de usuario.



Denota riesgo de lesiones personales, pérdida de la vida o daños a la herramienta en caso de incumplimiento de las instrucciones del presente manual.



Riesgo de descarga eléctrica.



Mantenga alejadas a terceras personas.



Use una protección contra el polvo.



Use protección para los oídos y los ojos.



Atención: Radiación láser. No fije la vista en el haz del láser de clase 2.



Mantenga las manos alejadas del área de corte cuando la máquina esté en funcionamiento. El contacto con la hoja de la sierra puede causar lesiones.



¡Área de peligro! Mantenga las manos, los dedos y los brazos alejados de esta área.



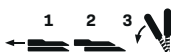
Transporte la máquina solo cuando esta esté hacia el interior, en posición de transporte.



Máquina de clase II - Doble aislamiento - No requiere enchufe con puesta a tierra.



El producto es conforme a las normas de seguridad aplicables según las directivas europeas.



La guía ajustable debe tirarse hacia afuera para aserrar ángulos de inglete o de bisel.



Tenga en cuenta las dimensiones de la hoja de la sierra. El diámetro del orificio debe calzar en el husillo de la herramienta sin hacer juego. Si es necesario utilizar reductores, compruebe que las dimensiones del reductor sean adecuadas para el espesor de la hoja de la base, para el diámetro del orificio de la hoja de la sierra y para el diámetro del husillo de la herramienta. Siempre que sea posible, utilice los reductores suministrados con la hoja de la sierra. El diámetro de la hoja de la sierra debe coincidir con la información especificada en el símbolo.

### INSTRUCCIONES GENERALES DE SEGURIDAD



**PRECAUCIÓN!** Lea todas las advertencias de seguridad y todas las instrucciones. Si no lo hace, el uso indebido puede acarrear cortocircuitos, fuego o lesiones graves.

#### Conserve estas instrucciones.

El término "herramienta eléctrica", en todas las advertencias enumeradas a continuación se refiere a su herramienta eléctrica (i nalámbrica) que funciona con una batería o a través de la red eléctrica.

#### 1) Área de trabajo

- Trabaje en un lugar limpio y bien iluminado.** Lugares no iluminados o sucios propician accidentes.
- No use herramientas eléctricas donde haya riesgo de fuego o explosión, p.ej: cerca de líquidos o gases inflamables, polvo etc.** Las herramientas eléctricas producen chispas que pueden producir la ignición de partículas de humo.
- Mantenga a los niños y otras personas alejados mientras utiliza la herramienta eléctrica.** Las distracciones pueden hacer que pierda el control de la herramienta.

## 2) Seguridad eléctrica

- a) **Cerciórese de que las clavijas de la herramienta eléctrica están correctamente enchufadas. Nunca modifique la clavija. No utilice ningún adaptador para la clavija de una herramienta eléctrica con conexión a tierra.** Las clavijas que no se hayan cambiado y los enchufes adecuados reducen el riesgo de cortocircuitos.
- b) **Evite el contacto humano con superficies con conexiones a tierra como tubos metálicos, conductos, tubos de la calefacción, radiadores y refrigeradores.** El riesgo de cortocircuitos es mayor cuando el cuerpo está en contacto con el suelo.
- c) **No use herramientas eléctricas bajo la lluvia o en entornos húmedos.** Si entra agua en una herramienta eléctrica aumenta el riesgo de cortocircuito.
- d) **No utilice el cable para todo. Nunca utilice el cable para mover la máquina, empujarla o sacar la clavija del enchufe. Mantenga el cable alejado del calor, aceite, zonas cortantes o piezas en movimiento.** Los cables dañados o enredados aumentan el riesgo de cortocircuito.
- e) **Use un cable alargador impermeable adecuado para exteriores cuando trabaje con la herramienta eléctrica al aire libre.**  
El riesgo de cortocircuito es menor si utiliza un cable alargador adecuado para exteriores.
- f) **Si no se puede evitar el uso de la herramienta eléctrica en un lugar húmedo, use suministro protegido mediante dispositivo diferencial residual (DDR).** El uso de un DDR reduce el riesgo de choque eléctrico.
- h) **No permita que la familiaridad adquirida con el uso frecuente de las herramientas le haga confiarse e ignorar los principios de seguridad de las herramientas.** Una acción descuidada puede causar lesiones graves en una fracción de segundo.

## 3) Seguridad personal

- a) **No se descuide, preste atención a lo que está haciendo y utilice el sentido común mientras trabaje con esta herramienta. No use herramientas eléctricas cuando esté cansado o esté bajo los efectos del alcohol, las drogas o los medicamentos.** Un momento de distracción, mientras utilice la herramienta eléctrica, puede provocar lesiones personales graves.
- b) **Use equipo de protección individual. Use siempre gafas protectoras.** El uso en condiciones apropiadas del equipo de seguridad como por ejemplo:

mascarilla antipolvo, zapatos antideslizantes de seguridad, casco o protección para los oídos, disminuye el riesgo de sufrir lesiones personales.

- c) **Evite arranques involuntarios. Asegúrese de que el interruptor está en la posición de apagado antes de conectarlo a la fuente de electricidad.** Transportar herramientas eléctricas con el dedo puesto sobre el interruptor o enchufarlas con el interruptor encendido puede causar accidentes.
  - d) **Quite cualquier llave de ajuste antes de encender la herramienta eléctrica.** Una llave olvidada junto a una pieza móvil de la herramienta eléctrica puede provocar lesiones personales graves.
  - e) **No se estire demasiado. Mantenga siempre el equilibrio y tenga los pies en el suelo.** Esto permite un mayor control de la herramienta eléctrica en situaciones inesperadas.
  - f) **Vístase apropiadamente. No lleve prendas holgadas o joyas. Mantenga su pelo, ropa y guantes alejados de las piezas móviles.** Las prendas holgadas, las joyas y el pelo largo pueden quedar atrapados en las piezas móviles.
  - g) **Si se han suministrado dispositivos para la extracción y recogida de polvo asegúrese de que estos estén conectados y se utilicen correctamente.** El uso de estos dispositivos puede reducir los riesgos relacionados con el polvo.
  - h) **Mantenga las asas y las superficies de agarre secas, limpias y libres de aceite y grasa.** Las asas y las superficies de agarre resbaladizas no permiten un manejo y control seguros de la herramienta en situaciones inesperadas.
- ## 4) Utilización y cuidados de la herramienta eléctrica
- a) **No fuerce la herramienta eléctrica. Utilice la herramienta eléctrica adecuada para el trabajo que vaya a realizar.** Una herramienta eléctrica apropiada realizará un trabajo mejor y más seguro si se utiliza para el objetivo con el que ha sido diseñada.
  - b) **No use herramientas que no pueden encenderse o apagarse con el interruptor.** Las herramientas que ya no se puedan encender y apagar son peligrosas y deben repararse.
  - c) **Desenchufe la clavija de la toma de electricidad antes de realizar modificaciones, cambiar accesorios o guardar las herramientas eléctricas.** Tales medidas de seguridad preventivas reducen el riesgo de la puesta en marcha accidental.
  - d) **Mantenga a los niños alejados de una herramienta eléctrica sin utilizar y no permita a per-**

sonas que no estén familiarizadas con la máquina o estas instrucciones utilizar la herramienta. La herramienta eléctrica puede ser peligrosa cuando la utilicen personas sin experiencia.

- e) **Conserve sus herramientas cuidadosamente. Verifique cualquier desalineación o agarrotamiento de piezas móviles, piezas dañadas y cualquier otra causa, que pudiera repercutir en el buen funcionamiento de la herramienta eléctrica. Si la herramienta está estropeada, repárela antes de utilizarla.** Muchos de los accidentes están causados por un mantenimiento insuficiente del equipo eléctrico.
- f) **Mantenga las herramientas de corte limpias y afiladas.** Sierras con esquinas cortantes con un buen mantenimiento se bloquean menos y son más fáciles de controlar.
- g) **Utilice la herramienta eléctrica, accesorios y brocas etc. Siguiendo las instrucciones atendiendo al tipo de herramienta eléctrica y tenga en cuenta las condiciones de trabajo y el tipo de trabajo que se va a realizar.** Puede ser peligroso realizar trabajos con la herramienta diferentes de aquellos para los que está diseñada.

#### 5) Uso y cuidado de las herramientas alimentadas por batería

- a) **Recargue las baterías únicamente con el cargador recomendado por el fabricante.** Un cargador que es apto para un tipo de baterías determinado puede provocar riesgo de incendio si se usa para cargar otra clase de baterías.
- b) **Use las herramientas eléctricas sólo con las baterías indicadas específicamente.** El uso de otra clase de baterías diferente puede ocasionar el riesgo de derivar en lesiones o un incendio.
- c) **Cuando el paquete de baterías no esté en uso, consérvelo retirado de objetos metálicos como sujetapapeles, monedas, llaves, clavos, tornillos o cualquier otro objeto metálico pequeño que pueda hacer puente entre las terminales.** El contacto entre las terminales de la batería puede causar quemaduras o incendio.
- d) **Bajo condiciones extremas de abuso la batería podría expulsar un líquido; evite todo contacto. Si se produjese contacto accidentalmente, lávese bien con agua. Si el líquido hace contacto con los ojos, consulte también al médico.** El líquido emanado de la batería puede causar irritaciones o quemaduras.
- e) **No utilice una batería o una herramienta**

**que esté dañada o modificada.** Las baterías dañadas o modificadas pueden presentar un comportamiento impredecible y provocar un incendio, una explosión o riesgo de lesiones.

- f) **No exponga una batería o una herramienta al fuego o a temperatura excesiva.** La exposición al fuego o a temperaturas superiores a 130 °C puede provocar una explosión. NOTA La temperatura "130 °C" puede sustituirse por la temperatura "265 °F".
  - g) **Siga todas las instrucciones de carga y no cargue la batería o la herramienta fuera del rango de temperatura especificado en las instrucciones.** La carga incorrecta o a temperaturas fuera del rango especificado puede causar daños a la batería y aumentar el riesgo de incendio.
- #### 6) Servicio
- a) **Haga reparar su herramienta eléctrica por una persona cualificada, usando solo piezas de repuesto idénticas.** Esto garantiza que se mantenga la seguridad de la herramienta eléctrica.
  - b) **Nunca repare las baterías dañadas.** El mantenimiento de las baterías debe ser realizado solo por el fabricante o los proveedores de servicio autorizados.

#### INSTRUCCIONES DE SEGURIDAD ESPECÍFICAS

- **Las sierras ingletadoras han sido diseñadas para cortar madera o productos semejantes, pero no pueden utilizarse con discos de corte abrasivos para cortar materiales ferrosos tales como barras, varillas, pernos, etc.** El polvo abrasivo hace que las piezas móviles como el protector inferior se atasquen. Las chispas que produce el corte abrasivo pueden encender el protector inferior, la placa de corte y otras piezas plásticas.
- **Use mordazas para fijar la pieza de trabajo siempre que sea posible. Si sujeta la pieza de trabajo con la mano, siempre debe mantener la mano a una distancia mínima de 100 mm a cada lado de la hoja de la sierra. No use esta sierra para cortar piezas que sean demasiado pequeñas para fijarlas o sujetarlas con la mano en modo seguro.** Si coloca la mano demasiado cerca de la hoja de la sierra, aumenta el riesgo de lesiones por el contacto con la hoja de la sierra.
- **La pieza de trabajo debe estar fija y sujeta o sostenida contra la guía y la mesa. No introduzca la pieza de trabajo en la hoja ni corte "a mano al-**

**zada” en ningún caso.** Las piezas de trabajo que no estén sujetas o que se muevan pueden ser lanzadas a altas velocidades y causar lesiones.

- **Empuje la sierra por la pieza de trabajo. No tire de la sierra a través de la pieza de trabajo. Para hacer un corte, levante la cabeza de la sierra y tire de ella hacia fuera de la pieza de trabajo sin cortar, arranque el motor, presione la cabeza de la sierra hacia abajo y empuje la sierra por la pieza de trabajo.** El corte en la carrera de tracción puede hacer que la hoja de la sierra se suba encima de la pieza de trabajo y arroje violentamente el conjunto de la hoja hacia el operador.
- **Nunca cruce la mano sobre la línea de corte prevista, ni por delante ni por detrás de la hoja de la sierra.** Sujetar la pieza de trabajo con las “manos cruzadas”, es decir, sosteniendo la pieza de trabajo a la derecha de la hoja de la sierra con la mano izquierda o viceversa, es muy peligroso.
- **No acerque las manos a más de 100 mm de la hoja de la sierra por detrás de la guía, ni para retirar restos de madera ni por ningún otro motivo, mientras la hoja esté girando.** La proximidad de la hoja de la sierra giratoria a las manos puede no ser obvia y usted puede resultar gravemente lesionado.
- **Inspeccione la pieza de trabajo antes de cortar. Si la pieza de trabajo está arqueada o deformada, sujétela con la cara exterior arqueada mirando hacia la guía. Compruebe siempre que no quede ningún espacio entre la pieza de trabajo, la guía y la mesa, a lo largo de la línea de corte.** Las piezas de trabajo dobladas o deformadas pueden torcerse o desplazarse y pueden causar atascos al girar la hoja de la sierra durante el corte. La pieza de trabajo no debe contener clavos ni otros objetos extraños.
- **No use la sierra hasta haber despejado la mesa de todo tipo de herramientas, restos de madera, etc.;** debe quedar solo la pieza de trabajo. Si algún resto pequeño o trozo suelto de madera u otro objeto entra en contacto con la hoja giratoria, puede ser lanzado a gran velocidad.
- **Corte solo una pieza de trabajo a la vez.** Si se apilan varias piezas de trabajo, estas no pueden sujetarse ni asegurarse adecuadamente y pueden atascarse en la hoja o desplazarse durante el corte.
- **Antes de usar la sierra ingletadora, compruebe que esté montada o colocada sobre una superficie de trabajo nivelada y firme.** Una superficie

de trabajo plana y firme reduce el riesgo de que la sierra ingletadora se vuelva inestable.

- **Planifique su trabajo. Cada vez que cambie el ajuste de bisel o el ángulo de inglete, compruebe que la guía ajustable esté ajustada correctamente para sostener la pieza de trabajo y que no interfiera con la hoja ni con el sistema de protección.** Sin encender la sierra y sin ninguna pieza de trabajo en la mesa, mueva la hoja de la sierra haciendo un corte simulado completo para comprobar que no haya interferencias ni riesgo de cortar la guía.
- **En caso de que la pieza de trabajo sea más ancha o más larga que el tablero de la mesa, dótese de un soporte adecuado, como extensiones de mesa, caballete de aserrar, etc.** Las piezas de trabajo más largas o más anchas que la mesa de la sierra ingletadora pueden ladearse si no están bien apoyadas. Si la pieza cortada o la pieza de trabajo se ladea, puede levantar el protector inferior o ser lanzada por la hoja giratoria.
- **No utilice a otra persona en lugar de una extensión de mesa o como soporte adicional.** Un soporte inestable de la pieza de trabajo puede hacer que la hoja se atasque o que la pieza de trabajo se desplace durante la operación de corte, arrastrándole a usted y a su ayudante hacia la hoja giratoria.
- **La pieza de corte no debe estar atascada ni presionada de ningún modo contra la hoja giratoria de la sierra.** Si está restringida, por ejemplo, si se utilizan topes de longitud, la pieza de corte puede quedar atrapada contra la hoja y ser lanzada violentamente.
- **Siempre use unas mordazas o un accesorio diseñado para sujetar adecuadamente materiales redondos como varillas o tubos.** Las varillas tienden a girar durante el corte, lo que hace que la hoja “muerda” y arrastre la pieza de trabajo y la mano hacia la hoja.
- **Deje que la hoja alcance la velocidad máxima antes de que entre en contacto con la pieza de trabajo.** Esto reduce el riesgo de que la pieza de trabajo sea lanzada.
- **En caso de atasco de la pieza de trabajo o de la hoja, apague la sierra ingletadora. Espere a que todas las piezas móviles se detengan y desconecte el enchufe de la fuente de alimentación y/o retire la batería. Después libere el material atascado.** Si sigue aserrando con la pieza de

trabajo atascada puede producirse una pérdida de control o daños a la sierra ingletadora.

- **Después de terminar el corte, suelte el interruptor, mantenga baja la cabeza de la sierra y espere a que la hoja se detenga antes de retirar la pieza de corte.** Acercar la mano a la hoja de corte cuando aún se mueve es peligroso.
- **Sujete firmemente la empuñadura cuando haga un corte incompleto o cuando suelte el interruptor antes de que la cabeza de la sierra quede totalmente en posición baja.** El frenado de la sierra puede hacer que la cabeza de la sierra caiga repentinamente hacia abajo, con riesgo de lesiones.
- **Mantenga limpia el área de trabajo. Las mezclas de materiales son particularmente peligrosas.** El polvo metálico ligero puede incendiarse o explotar.
- **No utilice hojas de sierra desafiladas, rajadas, dobladas o dañadas. Las hojas desafiladas o mal colocadas producen una entalladura estrecha que causa fricción excesiva, atascamiento de la hoja y contragolpes.**
- **No utilice hojas de sierra de acero rápido (HSS).** Este tipo de hojas de sierra se rompen fácilmente.
- **Use siempre hojas con orificios del eje de tamaño y forma correcta (diamantados vs. redondos).** Las hojas de sierra que no coinciden con el orificio de montaje de la sierra se ejecutarán de forma descentrada, causando la pérdida de control.
- **No sustituya el láser integrado con un láser de otro tipo.** Un láser que no sea compatible con esta herramienta eléctrica puede representar un riesgo para las personas.
- **Nunca retire recortes, astillas de madera, etc. del área de corte mientras la herramienta eléctrica esté funcionando.** Primero guíe siempre el brazo de la herramienta hacia la posición neutral y después apague la herramienta.
- **No toque la hoja de la sierra inmediatamente después de terminar el trabajo, antes déjela enfriar.** La hoja de la sierra se calienta mucho durante el trabajo.
- **Nunca altere las señales de advertencia en la máquina de modo que sean irreconocibles.**
- **Si la radiación láser le “golpea” un ojo, debe cerrar los ojos y girar inmediatamente la cabeza para alejarla del haz.**
- **No utilice ningún instrumento óptico, como prismáticos, para ver la fuente de radiación.** Si lo hace, puede dañarse la vista.

- **No dirija el rayo láser hacia personas que estén mirando con binoculares o instrumentos similares.** Si lo hace, puede dañarles la vista.
- **No aporte ninguna modificación al equipo láser.** Las opciones de ajuste descritas en este manual de instrucciones pueden utilizarse de forma segura.
- **No se ponga en línea con la hoja de la sierra por delante de la herramienta eléctrica. Manténgase siempre al costado de la hoja de la sierra.** Así protegerá su cuerpo contra posibles contragolpes.
- **Mantenga las manos, los dedos y los brazos alejados de la hoja giratoria de la sierra.**
- **No extienda una mano sobre la otra cuando se encuentre delante del brazo de la herramienta.**
- **Evite el sobrecalentamiento de los dientes de la sierra. Cuando la hoja de la sierra se sobrecaliente, detenga la máquina.** Deje que la hoja de la sierra se enfríe antes de volver a utilizar la máquina.
- **Cambie inmediatamente las hojas de la sierra si están dañadas o desgastadas.**
- **Utilice solo hojas de sierra que se ajusten a las especificaciones de este manual de instrucciones y que hayan sido probadas y marcadas de acuerdo con la norma EN 847-1.**
- **Si corta piezas curvas o redondas, estas deben estar bien sujetas para evitar que se deslicen. En la línea de corte no debe quedar ningún espacio entre la pieza de trabajo, la guía y la mesa de la sierra.** En su caso, deberá fabricar accesorios especiales.

### Seguridad eléctrica



*Compruebe siempre que la tensión del suministro eléctrico corresponda con la tensión de la placa de características.*

- No utilice la máquina si el cable o el enchufe eléctrico han sufrido daños.
- Utilice únicamente cables alargadores que sean adecuados para la potencia nominal de la máquina con un grosor mínimo de 1,5 mm<sup>2</sup>. Si utiliza un cable alargador en rollo, desenrolle totalmente el cable.

## 2. INFORMACIÓN DE LA MÁQUINA

### Uso previsto

Esta herramienta ha sido concebida como máquina fija para realizar cortes rectos longitudinales y



transversales en madera, al hilo y a contrahilo. Se pueden cortar ángulos de inglete de -45° a +45° y ángulos de bisel de -0° a +45°. La herramienta eléctrica con la hoja de la sierra montada ha sido diseñada con capacidad suficiente para el aserrado de madera dura y blanda, aglomerado y tableros de fibra. La hoja de la sierra no ha sido diseñada para cortar leña. No utilice la sierra para cortar materias que no sean los especificados en el manual.

### ESPECIFICACIONES TÉCNICAS

<b>Modelo n.º</b>	<b>MS502AC</b>
Tensión	220-240V~
Frecuencia	50 Hz
Potencia de entrada	2000W
Velocidad en vacío	4500/min
Ángulos de inglete	-45° <> +45°
Ángulos de bisel	-45° <> 0° a la izquierda, bisel simple
Especificaciones de la hoja de la sierra:	
Diámetro	Ø 254 mm
Espesor de la hoja básica	1,6 mm
Ancho de corte	2,8 mm
Diámetro del calibre	Ø 30 mm
Número de dientes	60T
Capacidad de la sierra (alto x ancho):	
Inglete 0° - Bisel 0°	90 x 340 mm
Inglete 0° - Bisel 45°	45 x 340 mm
Inglete 45° - Bisel 0°	90 x 240 mm
Inglete 45° - Bisel 45°	45 x 240 mm
Dimensiones mínimas de la pieza	3 x 10 mm
Especificaciones del láser:	
Clase	2
Longitud de onda	650 nm
Salida	< 1 mW
Peso	14,3 kg
Lpa (nivel de presión acústica)	97,2 +3 dB(A)
Lwa (nivel de potencia acústica)	110,2 +3 dB(A)
Valor de vibraciones	<2,5 m/s <sup>2</sup>

### Nivel de vibración

El nivel de emisión de vibraciones indicado en este manual de instrucciones ha sido medido según una

prueba estándar proporcionada en EN 60745; puede utilizarse para comparar una herramienta con otra y como valoración preliminar de la exposición a las vibraciones al utilizar la herramienta con las aplicaciones mencionadas.

- al utilizarla para distintas aplicaciones o con accesorios diferentes o con un mantenimiento deficiente, podría aumentar de forma notable el nivel de exposición.
- en las ocasiones en que se apaga la herramienta o cuando está funcionando pero no está realizando ningún trabajo, se podría reducir el nivel de exposición de forma importante.

Protéjase contra los efectos de la vibración realizando el mantenimiento de la herramienta y sus accesorios, manteniendo sus manos calientes y organizando sus patrones de trabajo.

### DESCRIPCIÓN

Los números del texto se refieren a los diagramas de las páginas 2-6.

1. Botón de bloqueo
2. Asa
3. Interruptor de encendido/apagado
4. Protector de seguridad
5. Protector de seguridad retráctil
6. Hoja de la sierra
7. Guía ajustable
8. Tope de longitud
9. Guía
10. Extensión de la mesa
11. Mesa
12. Orificios de montaje
13. Placa de corte
14. Perilla de ajuste de inglete
15. Palanca de ajuste de inglete
16. Escala de ángulo de inglete
17. Indicador de ángulo de inglete
18. Láser
19. Indicador de ángulo de bisel
20. Escala para ángulo de bisel
21. Abrazadera de la pieza de trabajo
22. Perilla de ajuste de bisel
23. Rodillo
24. Perno de ajuste de profundidad
25. Barras deslizantes
26. Bolsa colector de polvo
27. Asa de transporte
28. Salida de polvo

29. Perno de bloqueo para barras deslizantes
30. Protector de inclinación trasero
31. Perno de tope de ángulo de bisel a 45°
32. Perno de tope de ángulo de bisel a 0°
33. Perno de bloqueo de mordaza de pieza de trabajo
34. Perno de bloqueo de extensión de la mesa
35. Perno de bloqueo de guía ajustable
36. Perno de ajuste de la guía
37. Protector de inclinación delantero
38. Perilla de bloqueo de posición
39. Tornillo prisionero
40. Perno de retención
41. Brida de sujeción
42. Perno de sujeción
43. Bloqueo del husillo
44. Perilla de la abrazadera de la pieza de trabajo
45. Tuerca moleteada para ajuste de profundidad
46. Luz de trabajo de LED
47. Tornillo de la tapa del láser
48. Tornillos para el ajuste del láser
49. Tuerca de bloqueo del ángulo de bisel a 45°
50. Tuerca de bloqueo del ángulo de bisel a 0°
51. Pernos de la guía

### 3. MONTAJE



Antes de realizar cualquier trabajo en la máquina, desenchufe el cable de alimentación de la red eléctrica.

#### Posición de transporte (Fig. B, C)

La perilla de bloqueo de posición (38) facilita el desplazamiento de la herramienta eléctrica cuando se la transporta a diferentes lugares de trabajo.

#### Desbloqueo de la posición de transporte (posición de trabajo)

1. Presione ligeramente el asa (2) hacia abajo.
2. Tire de la perilla de bloqueo de posición (38) totalmente hacia fuera y bloquéela en su lugar girándola.
3. Mueva lentamente la empuñadura (2) hacia arriba.

#### Bloqueo de la posición de transporte (posición de transporte)

Antes de bloquear la herramienta en la posición de transporte, compruebe que el perno de ajuste de profundidad (24) esté ajustado a una profundidad ilimitada. De este modo, el asa (2) puede moverse

totalmente hacia abajo sin tocar el tope de profundidad. Además, retire todos los accesorios que no puedan montarse de forma segura en la máquina.

1. Afloje el perno de bloqueo de las barras deslizantes (29), si está apretado.
2. Tire del asa (2) hacia usted y apriete el perno de bloqueo de las barras deslizantes (29).
3. Presione el asa (2) hacia abajo.
4. Bloquee la perilla de bloqueo de posición (38) tirando primero y girándola después.
5. Enrolle el cable de red y átelo con el sujetacable suministrado.

Después de bloquear la máquina en posición de transporte, con el asa de transporte (27) podrá transportarla en modo seguro.



Utilice únicamente el asa de transporte para transportar la máquina, nunca use los protectores.

#### Instalación de una máquina fija (Fig. A, B, D)

Para garantizar una manipulación segura, la herramienta eléctrica debe montarse sobre una superficie de trabajo plana y estable (p. ej., un banco de trabajo), antes de usarla. La máquina puede instalarse de tres maneras:

##### 1. En un banco de trabajo

En este caso, la máquina debe fijarse al banco de trabajo con tornillos de fijación adecuados. Para hacerlo deberá utilizar los cuatro orificios (12). Como se muestra en la Fig. D.

##### 2. En un bastidor auxiliar



Lea todas las advertencias e instrucciones suministradas con el soporte de la sierra. Si no respeta las advertencias de seguridad y no sigue las instrucciones, pueden ocasionarse descargas eléctricas, incendios y/o lesiones graves.



Monte correctamente el soporte de la sierra antes de montar la herramienta eléctrica. Un montaje correcto es importante para evitar el riesgo de derrumbe.

En este caso, la máquina debe fijarse al bastidor auxiliar con pernos. Para hacerlo deberá utilizar los cuatro orificios (12). El bastidor auxiliar debe estar

anclado con 4 pernos a una placa en el suelo que tenga una dimensión de por lo menos 1 metro cuadrado. Monte la herramienta eléctrica en el soporte de la sierra en la posición de transporte.

### 3. Instalación flexible



*El fabricante recomienda no efectuar este tipo de instalación.*

En circunstancias excepcionales y si no es posible montar la herramienta eléctrica sobre una superficie de trabajo plana y estable, puede improvisar colocándola con los protectores de inclinación.



*Sin el protector de inclinación, la herramienta eléctrica no será estable y puede volcarse, especialmente cuando se cortan ángulos máximos de inglete y/o bisel.*

- Afloje el tornillo prisionero (39) con una llave hexagonal. Deslice el protector de inclinación trasero (30) totalmente hacia fuera como se muestra en las figuras E1 y E2. Vuelva a apretar el tornillo prisionero (39).
- Gire el protector de inclinación delantero (37) hacia dentro o hacia fuera, como se muestra en la figura F, hasta que la herramienta quede nivelada en la superficie de trabajo.

#### Comprobación del protector de seguridad (Fig. A)

El protector de seguridad retráctil (5) protege contra el contacto accidental con la hoja de la sierra y contra las virutas de aserrado que vuelan alrededor. Antes del uso, debe comprobar si el protector de la hoja de la sierra funciona correctamente. Para hacerlo, tire del asa (2) hacia abajo y compruebe lo siguiente:

- El protector de seguridad retráctil (5) debe permitir el acceso a la hoja de la sierra (6) sin entrar en contacto con otras piezas.
- Al doblar la sierra hacia arriba a la posición inicial, el protector de seguridad retráctil (5) debe cubrir automáticamente toda la hoja de la sierra (6).

#### Sustitución de la hoja de la sierra (Fig. G)



*Antes de realizar cualquier trabajo en la máquina, desenchufe el cable de alimentación de la red eléctrica.*



*Cuando monte la hoja de la sierra, use guantes protectores. Peligro de lesiones al tocar la hoja de la sierra.*



*Utilice únicamente hojas de sierra que correspondan con los datos de las características indicados en las instrucciones de funcionamiento. Use solo hojas de sierra que tengan indicada una velocidad igual o superior a la velocidad indicada en la máquina.*



*No utilice en ningún caso discos abrasivos como herramienta de corte.*

Antes de sustituir la hoja de la sierra, se recomienda vivamente ajustar el ángulo de inglete y el ángulo de bisel en 0°. De lo contrario, el acceso puede ser limitado.

#### Desmontar la hoja de la sierra

1. Bloquee la sierra en posición superior utilizando la perilla de bloqueo de posición (38).
2. Afloje el perno de retención (40) con un destornillador con cabeza philips, como se muestra en la figura G1. ADVERTENCIA. No retire completamente el perno de retención (40), solo aflójelo.
3. Doble hacia arriba el protector de seguridad retráctil (5) hasta que pueda acceder libremente al perno de apriete (42), como se muestra en la figura G2.
4. Introduzca la llave hexagonal en el perno de apriete (42). Puede soltar el protector de seguridad retráctil (5), se plegará sobre la llave hexagonal.
5. Gire el perno de apriete (42) con la llave hexagonal (34) y, al mismo tiempo, presione el bloqueo del husillo (43) hasta que encaje.
6. Sujete firmemente el bloqueo del husillo (43) y afloje el tornillo de apriete (42) girándolo en sentido horario (rosca a la izquierda).
7. Quite el tornillo de sujeción (42) y la brida de sujeción (41). Ahora puede sacar la hoja de la sierra (6).

#### Montar la hoja de la sierra



*Cuando monte la hoja de la sierra, compruebe que la dirección de corte de los dientes (dirección de la flecha de la hoja de la sierra) coincida con la dirección de la flecha del protector (4).*



*Cuando coloque la hoja de la sierra (6), compruebe que gire libremente en la placa de corte (13) con el ajuste de ángulo en 0° y 45°.*

1. Limpie la hoja de la sierra y todas las piezas de sujeción que vaya a montar.
2. Afloje el perno de retención (40) con un destornillador con cabeza philips, como se muestra en la figura G1. ADVERTENCIA. No retire completamente el perno de retención (40), solo aflójeló.
3. Doble hacia arriba el protector de seguridad retráctil (5) hasta que pueda acceder libremente al perno de apriete (42), como se muestra en la figura G2.
4. Introduzca la llave hexagonal en el perno de apriete (42). Puede soltar el protector de seguridad retráctil (5), se plegará sobre la llave hexagonal.
5. Montar la brida de sujeción (41). Compruebe que los lados planos de la brida de sujeción coincidan con los lados planos del eje de la hoja. Compruebe también que el lado convexo de la brida de sujeción esté montado hacia el exterior.
6. Monte el perno de apriete (42) y gírelo con la llave hexagonal y, al mismo tiempo, presione el bloqueo del husillo (43) hasta que encaje.
7. Sujete firmemente el bloqueo del husillo (43) y apriete el tornillo de apriete (42) girándolo en sentido antihorario.

#### Extracción de polvo (Fig. A, B, W, X)



*El lugar de trabajo debe tener una buena ventilación.*



*Use protección contra el polvo.*

El polvo de materiales, como la pintura con plomo y algunos tipos de madera, puede ser perjudicial para la salud. La inhalación de este polvo puede provocar reacciones alérgicas y/o enfermedades respiratorias para el usuario o las personas que se encuentren cerca. Algunos tipos de polvo, como los de roble o haya, han sido clasificados como carcinógenos, especialmente cuando están combinados con aditivos de tratamiento de la madera (cromato, conservador de la madera). Recomendamos vivamente utilizar un sistema de extracción de polvo adecuado para el material siempre que sea posible.



*Evite la acumulación de polvo en el lugar de trabajo. El polvo puede inflamarse fácilmente.*

El sistema de extracción de polvo puede bloquearse con el polvo, las virutas o los fragmentos de la pieza de trabajo. Por lo tanto, hay que limpiarlo periódicamente. Para hacerlo, deberá:

1. Desconectar el enchufe de la fuente de alimentación.
2. Esperar a que la hoja de la sierra se detenga por completo.
3. Eliminar cualquier obstrucción, si es necesario.

#### Montaje de la bolsa de polvo (Fig. W)

Presione la abrazadera de la bolsa de polvo (26) y deslícela por la salida de polvo (28) situada en la parte posterior de la máquina. La bolsa de polvo se mantiene en su lugar al soltar la abrazadera.

#### Conexión de una aspiradora (Fig. X)



*El extractor de polvo debe ser adecuado para el material con el cual se trabaja.*



*Si aspira polvo seco especialmente perjudicial para la salud o cancerígeno, debe usar un extractor de polvo especial.*

Puede conectar una manguera de aspiración a la salida de polvo (28). Para hacerlo, solo deberá conectar la manguera de aspiración a la salida de aspiración.

## 4. FUNCIONAMIENTO



*Antes de encender la máquina, compruebe siempre que la hoja de la sierra esté bien colocada. La hoja debe girar suavemente.*



*Compruebe siempre los protectores de seguridad antes de usar la sierra.*



*Para todos los cortes, primero debe comprobar que la hoja de la sierra no toque en ningún momento la guía, la abrazadera de la pieza de trabajo ni otras piezas de la máquina. Retire los topes auxiliares montados, si los hubiera, o ajústelos correctamente.*

#### Apoyo de la pieza de trabajo (Fig. H)

Las piezas de trabajo deben estar siempre correctamente apoyadas. Las extensiones de la mesa (10) pueden extenderse a la izquierda y a la derecha para apoyar la pieza de trabajo. Para hacerlo, deberá:

1. Aflojar el perno de bloqueo de la mesa de extensión (34).
2. Mover la mesa de extensión (10) hacia la posición deseada.
3. Apretar el perno de bloqueo de la mesa de extensión (34).

Cuando corte piezas de trabajo extremadamente largas, el extremo libre de tales piezas debe tener un sostén adicional debajo o estar apoyado.

### Sujeción de la pieza de trabajo (Fig. H)

Las piezas de trabajo deben estar siempre bien sujetas. La abrazadera de la pieza de trabajo (21) puede colocarse a la izquierda y a la derecha de la pieza de trabajo. Para hacerlo, deberá:

1. Comprobar que la pieza de trabajo esté firmemente presionada contra la guía (9).
2. Insertar la abrazadera de la pieza de trabajo (21) suministrada en uno de los orificios previstos, como se muestra en la figura H.
3. Ajustar la varilla roscada de la abrazadera de la pieza de trabajo (21) a la altura de la pieza de trabajo.
4. Ajustar bien la varilla roscada de la abrazadera de la pieza de trabajo (21) para fijar la pieza de trabajo en su posición. Para aflojarla, solo tiene que aflojar la varilla roscada de la abrazadera de la pieza de trabajo (21).

Con la perilla de sujeción de la pieza de trabajo (44) se puede ajustar más rápidamente la altura de la abrazadera de la pieza de trabajo (21). Tras ajustar la altura, apriete siempre bien la varilla roscada de la abrazadera de la pieza de trabajo (21) para fijar la pieza de trabajo en su posición.

### Ajuste de la guía (Fig. H)



*Ajuste siempre la guía de acuerdo con el tipo de corte específico.*

Para aserrar ángulos de inglete y/o de bisel, debe desplazar la guía ajustable (7) en función de la dirección de corte. De este modo, la pieza de trabajo siempre está sostenida correctamente por la guía en todas las condiciones. Para hacerlo, deberá:

1. Aflojar el perno de bloqueo de la guía ajustable (35).
2. Ajustar la guía de acuerdo con el corte que desee efectuar. Para cortes de inglete o rectos,

la guía debe desplazarse hacia dentro, hacia la hoja de la sierra (máx. 8 mm), y no debe tocar la hoja. Para cortes de bisel, la guía debe desplazarse hacia afuera de la hoja (máx. 8 mm), y no debe tocar la hoja.

3. Afloje el perno de bloqueo de la guía ajustable (35).
4. Para que la hoja no entre en contacto con la guía ajustable (35), se aconseja realizar una prueba del movimiento de la hoja, sin encender la máquina.

### Ajuste del ángulo de inglete (Fig. A)

El ángulo de inglete puede ajustarse entre 45° a la izquierda y 45° a la derecha. Para un ajuste rápido y preciso de los ángulos de inglete de uso corriente, la mesa de la sierra tiene ángulos predeterminados en 0°, 15°, 22,5°, 30° y 45°.

#### Ajuste del ángulo de inglete a los valores predeterminados:

1. Afloje la perilla de ajuste de inglete (14).
2. Tire de la palanca de ajuste de ingletes (15) y gire la mesa (11) a la izquierda o a la derecha hasta el ajuste predeterminado que prefiera. El ángulo se puede leer en la escala de ángulo de inglete (16) usando el indicador de ángulo de inglete (17).
3. Suelte la palanca. Debe oír que la palanca encaja en la muesca del ajuste predeterminado.
4. Apriete la perilla de ajuste de inglete (14).

#### Ajuste del ángulo de inglete en cualquier ángulo que se desee:

1. Afloje la perilla de ajuste de inglete (14).
2. Tire de la palanca de ajuste de inglete (15) y gire la mesa (11) a la izquierda o a la derecha hasta la posición que desee. El ángulo se puede leer en la escala de ángulo de inglete (16) usando el indicador de ángulo de inglete (17).
3. Suelte la palanca y apriete la perilla de ajuste de inglete (14).

### Ajuste del ángulo de bisel (Fig. A, B)

El ángulo de bisel puede ajustarse entre 0° y +45° a la izquierda. Para hacerlo, deberá:

1. Aflojar la perilla de ajuste de bisel (22).
2. Inclinar la sierra con el asa (2) hasta que el indicador (19) lea la posición deseada en la escala de ángulo de bisel (20).
3. Aflojar la perilla de ajuste de bisel (22).

**Encendido y apagado de la máquina (Fig. A)**

- Para encender la máquina, mantenga pulsado el botón de desbloqueo (1) y pulse el interruptor de encendido/apagado (3).
- Para parar la máquina, suelte el interruptor de encendido/apagado (3).

**Realización de un corte transversal (Fig. I, J)**

Siga los siguientes pasos para cortar perpendicularmente a la veta de la madera:

1. Ajuste el ángulo de inglete y el ángulo de bisel en 0°.
2. Desplace la guía ajustable a la posición interior, hacia la hoja. La distancia máxima entre la guía ajustable (35) y la hoja de la sierra (6) es de 8 mm, como se muestra en la figura J. Compruebe que la guía no toque la hoja.
3. Sujete firmemente la pieza de trabajo.
4. Encienda la máquina. Compruebe que la hoja de la sierra haya alcanzado la velocidad máxima.
5. Ahora baje lentamente el asa para que la hoja de la sierra corte la pieza de trabajo y pase a través de la ranura de la mesa. No ejercite demasiada fuerza sobre la sierra, déjela hacer el trabajo.
6. Vuelva a levantar suavemente el asa y apague la máquina soltando el interruptor.

**Realización de un corte de inglete (Fig. J, K)**

Siga los siguientes pasos para realizar un corte angular a la superficie de la madera:

1. Ajuste el ángulo de inglete en la posición que desee, y el ángulo de bisel en 0°.
2. Desplace la guía ajustable a la posición interior, hacia la hoja. La distancia máxima entre la guía ajustable (35) y la hoja de la sierra (6) es de 8 mm, como se muestra en la figura J. Compruebe que la guía no toque la hoja.
3. Sujete firmemente la pieza de trabajo.
4. Encienda la máquina. Compruebe que la hoja de la sierra haya alcanzado la velocidad máxima.
5. Ahora baje lentamente el asa para que la hoja de la sierra corte la pieza de trabajo y pase a través de la ranura de la mesa. No ejercite demasiada fuerza sobre la sierra, déjela hacer el trabajo.
6. Vuelva a levantar suavemente el asa y apague la máquina soltando el interruptor.

**Realización de un corte de bisel (Fig. L, M)**

Siga los siguientes pasos para realizar un corte angular en el borde de la madera:

1. Ajuste el ángulo de inglete en 0° y el ángulo de

bisel en la posición que desee.

2. Desplace la guía ajustable a la posición exterior, alejándola de la hoja. La distancia máxima entre la guía ajustable (35) y la hoja de la sierra (6) es de 8 mm, como se muestra en la figura M. Compruebe que la guía no toque la hoja.
3. Sujete firmemente la pieza de trabajo. Compruebe que la abrazadera de la pieza de trabajo esté a la derecha.
4. Encienda la máquina. Compruebe que la hoja de la sierra haya alcanzado la velocidad máxima.
5. Ahora baje lentamente el asa para que la hoja de la sierra corte la pieza de trabajo y pase a través de la ranura de la mesa. No ejercite demasiada fuerza sobre la sierra, déjela hacer el trabajo.
6. Vuelva a levantar suavemente el asa y apague la máquina soltando el interruptor.

**Realización de un corte compuesto (Fig. M, N)**

Siga los siguientes pasos para hacer un corte combinado de inglete y de bisel:

1. Ajuste el ángulo de inglete y el ángulo de bisel en la posición que desee.
2. Desplace la guía ajustable a la posición exterior, alejándola de la hoja. La distancia máxima entre la guía ajustable (35) y la hoja de la sierra (6) es de 8 mm, como se muestra en la figura M. Compruebe que la guía no toque la hoja.
3. Sujete firmemente la pieza de trabajo. Compruebe que la abrazadera de la pieza de trabajo esté a la derecha.
4. Encienda la máquina. Compruebe que la hoja de la sierra haya alcanzado la velocidad máxima.
5. Ahora baje lentamente el asa para que la hoja de la sierra corte la pieza de trabajo y pase a través de la ranura de la mesa. No ejercite demasiada fuerza sobre la sierra, déjela hacer el trabajo.
6. Vuelva a levantar suavemente el asa y apague la máquina soltando el interruptor.

**Uso de la función de deslizamiento**

Para piezas de trabajo extremadamente anchas, la máquina está equipada con una función de deslizamiento. Cuando vaya a usar la función de deslizamiento, afloje el perno de bloqueo de las barras deslizantes (29). Tire del asa (2) hacia fuera de la guía (9) hasta que la hoja de la sierra quede delante de la pieza de trabajo. Guíe lentamente el brazo de la herramienta hacia abajo usando el asa y después empuje el asa (2) hacia la guía (9) y corte la pieza de trabajo avanzando en modo uniforme.

En caso de piezas de trabajo pequeñas, se puede ajustar la función de deslizamiento en la posición trasera de la sierra con el perno de bloqueo de las barras deslizantes (29). Si desea un mayor ancho de corte, debe aflojar el perno de bloqueo de las barras deslizantes (29).

### Uso del tope de longitud (Fig. O)

El tope de longitud (8) de las extensiones de la mesa izquierda y derecha (10) puede utilizarse para cortar con facilidad piezas de trabajo de la misma longitud.

1. Desplace el tope de longitud (8) hacia arriba.
2. Afloje el perno de bloqueo de la mesa de extensión (34).
3. Ajuste la mesa de extensión (10) en la longitud que desee.
4. Apriete el perno de bloqueo de la mesa de extensión (34).

### Ajuste del tope de profundidad (Fig. P)

El tope de profundidad puede ajustarse para limitar la profundidad de corte. Este tope puede utilizarse para hacer fácilmente una ranura. Para hacerlo, deberá:

1. Aflojar la tuerca moleteada de ajuste de profundidad (45).
2. Ajustar la perilla de ajuste de profundidad (24) a la profundidad que desee.
3. Apretar la tuerca moleteada de ajuste de profundidad (45).

### Encender y apagar el láser (Fig. B)

Pulse el interruptor del láser (46) para encender o apagar el láser. El interruptor del láser (46) también enciende la luz de trabajo de LED.

### Ajuste fino



*Antes de realizar cualquier ajuste, desconecte el enchufe de la red eléctrica.*

Para asegurar cortes precisos, debe comprobar y ajustar los ajustes básicos de la sierra antes del primer uso y también después de un uso intensivo. Para ello se requieren herramientas especiales adecuadas. El servicio de postventa de Vonroc le ayudará a realizar este trabajo en modo rápido y fiable.

### Ajuste fino del láser (Fig. Q)

Nota: Para comprobar el funcionamiento del láser, la batería debe estar colocada en la herramienta eléctrica.



*Cuando ajuste el láser (p. ej., cuando mueva el brazo de la herramienta), nunca active el interruptor de encendido/apagado. El arranque accidental de la herramienta eléctrica puede causar lesiones.*

Si el láser (18) deja de indicar la línea de corte correcta, tiene que reajustar el láser. Para hacerlo, deberá:

1. Desenroscar los tornillos de la tapa (47) para retirar la tapa frontal.
2. Aflojar los tornillos de ajuste del láser (48) y ajustar el láser moviéndolo hasta que el haz del láser "toque" los dientes de la hoja de la sierra (6).
3. Colocar la tapa frontal y apriete los dos tornillos de la tapa (47).

### Ajuste fino del ángulo de bisel de 0° (Fig. R, S)

1. Ajuste el ángulo de inglete y el ángulo de bisel en 0°.
2. Baje el asa (2) y fíjela con la perilla de bloqueo de posición (38).
3. Bloquee el movimiento de deslizamiento con el perno de bloqueo de las barras deslizantes (29).
4. Ajuste un goniómetro a 90° y colóquelo sobre la mesa (11), como se muestra en la figura S. La pata del goniómetro debe estar a nivel con la hoja de la sierra (6) a lo largo de toda su longitud.
5. Afloje la tuerca de bloqueo del ángulo de bisel en 0° (50).
6. Ajuste el perno de tope de ángulo de bisel a 0°(32) hasta que la pata del goniómetro esté a nivel con la hoja de la sierra a lo largo de toda su longitud.
7. Vuelva a apretar la tuerca de bloqueo de ángulo de bisel en 0° (50).

Después compruebe la posición del indicador de ángulo (19). Si es necesario, afloje el puntero con un destornillador Philips, colóquelo en la posición 0° de la escala de ángulo de bisel (20) y vuelva a apretar el tornillo de sujeción.

### Ajuste fino del ángulo de bisel en 45° (Fig. R, T)

1. Ajuste el ángulo de inglete y el ángulo de bisel en 45°.
2. Baje el asa (2) y fíjela con la perilla de bloqueo de posición (38).
3. Bloquee el movimiento de deslizamiento con el perno de bloqueo de las barras deslizantes (29).
4. Ajuste un goniómetro a 90° y colóquelo sobre la

- mesa (11), como se muestra en la figura T. La pata del goniómetro debe estar a nivel con la hoja de la sierra (6) a lo largo de toda su longitud.
- Afloje la tuerca de bloqueo del ángulo de bisel en 45° (49).
  - Ajuste el perno de tope de ángulo de bisel a 45°(31) hasta que la pata del goniómetro esté a nivel con la hoja de la sierra a lo largo de toda su longitud.
  - Vuelva a apretar la tuerca de bloqueo de ángulo de bisel en 45° (49).

Después compruebe la posición del indicador de ángulo. (19). Si es necesario, afloje el puntero con un destornillador Philips, colóquelo en la posición de 45° de la escala de ángulo de bisel (20) y vuelva a apretar el tornillo de sujeción.

#### Ajuste fino del ángulo de inglete a 0° (Fig. U, V)

- Coloque un goniómetro a 0° en la mesa (11), entre la guía (9) y la hoja de la sierra (6).
- La pata del goniómetro debe estar a nivel con la hoja de la sierra (6) en toda su longitud.
- Afloje los cuatro pernos de la guía (51) y ajuste la guía (9) hasta que la pata del goniómetro esté a nivel con la hoja de la sierra a lo largo de toda su longitud.
- Vuelva a apretar los cuatro pernos de la guía (51). Después compruebe la posición del indicador de ángulo (17). Si es necesario, afloje el puntero con un destornillador Philips, colóquelo en la posición 0° de la escala de ángulo de inglete (16) y vuelva a apretar el tornillo de sujeción.

## 5. MANTENIMIENTO



*Antes de realizar la limpieza y el mantenimiento, apague siempre la máquina y extraiga el paquete de baterías de la máquina.*

Limpie regularmente la carcasa de la máquina con un paño suave, preferentemente después de cada uso. Compruebe que los orificios de ventilación estén libres de polvo y suciedad. Elimine el polvo persistente utilizando un paño suave humedecido con agua y jabón. No use disolventes tales como gasolina, alcohol, amoníaco, etc. Tales productos químicos pueden dañar los componentes sintéticos.

### **Limpieza de los protectores de seguridad**

Antes de utilizar la máquina, compruebe siempre que no haya residuos en el protector de seguridad (4) ni en el protector de seguridad retráctil (5). Elimine el aserrín y las astillas viejas con un cepillo o una herramienta similar.

### **Sustitución del inserto de la mesa**



*Sustituya inmediatamente los insertos de la mesa cuando estén dañados.*

Si el inserto de la mesa (13) está dañado, existe el riesgo de que las piezas pequeñas se metan entre el inserto de la mesa y la hoja de la sierra, bloqueando la hoja de la sierra. Para sustituir el inserto de la mesa:

- Extraiga los tornillos del inserto de la mesa con un destornillador de tornillos Philips. Si es necesario, ajuste el ángulo de inglete y de bisel para poder acceder a estos tornillos.
- Extraiga el inserto de la mesa.
- Instale un nuevo inserto de mesa.
- Apriete los tornillos con un destornillador de tornillos Philips.

### **Barras deslizantes**

La suciedad puede dañar las barras deslizantes (25) y con ello el funcionamiento de la máquina.

- Limpie periódicamente las barras deslizantes con un paño suave.
- Eche unas gotas de aceite lubricante sobre las barras deslizantes.
- Mueva la sierra de inglete hacia delante y hacia atrás para que el aceite se extienda por todas las barras.

## MEDIOAMBIENTE



*Los aparatos eléctricos o electrónicos defectuosos y/o desechados deben recogerse en lugares de reciclado apropiado.*

### **Solo para países de la Comunidad Europea**

No elimine las herramientas eléctricas como residuos domésticos. De acuerdo con la Directiva europea 2012/19/CE sobre residuos de aparatos eléctricos y electrónicos, y su transposición a las legislaciones nacionales, las herramientas eléctricas que ya no se utilizan deben recogerse por separado y eliminarse en modo ecológico.



## CONDICIONES DE GARANTÍA

Los productos VONROC han sido desarrollados con los más altos estándares de calidad y VONROC garantiza que están exentos de defectos relacionados con los materiales y la fabricación durante el periodo legalmente estipulado, a contar desde la fecha de compra original. En caso de que el producto presente defectos relacionados con los materiales y/o la fabricación durante este periodo, póngase directamente en contacto VONROC.

La presente garantía se excluye en los siguientes casos:

- Si centros de servicios no autorizados han realizado o han intentado realizar reparaciones y/o alteraciones a la máquina.
- Si se ha producido un desgaste normal.
- Si la herramienta ha sido mal tratada o usada en modo impropio, o se ha realizado incorrectamente su mantenimiento.
- Si se han utilizado piezas de repuesto no originales.

La presente constituye la única garantía implícita y explícita que ofrece la compañía. No existen otras garantías explícitas o implícitas que excedan las citadas aquí, incluidas las garantías implícitas de comerciabilidad e idoneidad para una finalidad en especial. VONROC no será considerada responsable en ningún caso por daños incidentales o consecuentes. Los recursos a disposición de los distribuidores se limitan a la reparación o a la sustitución de las unidades o piezas no conformes.

**El producto y el manual de usuario están sujetos a variaciones. Las especificaciones pueden variarse sin previo aviso.**

## 1. ISTRUZIONI DI SICUREZZA

Leggere le avvertenze di sicurezza contenute nel presente manuale, le avvertenze di sicurezza aggiuntive e le istruzioni. La mancata osservanza delle avvertenze e istruzioni di sicurezza può dar luogo a scossa elettrica, incendio e/o lesioni gravi. Conservare le avvertenze di sicurezza e le istruzioni per riferimenti futuri.

I simboli riportati di seguito vengono utilizzati all'interno del manuale per l'utente oppure sono indicati sul prodotto:



*Leggere il manuale per l'utente.*



*Denota il rischio di lesioni personali, morte o danni all'utensile in caso di mancata osservanza delle istruzioni contenute nel presente manuale.*



*Rischio di scossa elettrica.*



*Tenere i presenti a debita distanza.*



*Indossare una maschera antipolvere.*



*Indossare dispositivi di protezioni per l'udito e gli occhi.*



*Attenzione: Radiazione laser. Non fissare il raggio laser di Classe 2.*



*Tenere le mani a debita distanza dall'area di taglio mentre l'elettrotensile è in funzione. Il contatto con la lama della troncatrice può provocare lesioni personali.*



*Area di pericolo! Tenere le mani, le dita o le braccia lontano da quest'area.*

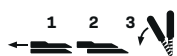


*Trasportare l'elettrotensile solo quando si trova in posizione di trasporto con la lama rivolta verso l'interno.*



*Apparecchio di Classe II - Doppio isolamento - Non è necessario il collegamento a terra.*

**CE** Il prodotto è conforme alle norme di sicurezza vigenti ai sensi delle direttive europee.



Il guidapezzo regolabile deve essere tirato verso l'esterno quando si eseguono tagli obliqui o inclinati.



Tenere in considerazione le dimensioni della lama. Il diametro del foro deve corrispondere al mandrino dell'utensile senza gioco. In caso di necessità di riduttori fare in modo che le dimensioni del riduttore siano adatte per lo spessore del mandrino di base e il diametro della lama nonché per il diametro del mandrino dell'utensile. Utilizzare se possibile i riduttori in dotazione con la lama. Il diametro della lama deve corrispondere alle informazioni riportate sul simbolo.

## REGOLE GENERALI DI SICUREZZA



**ATTENZIONE! Leggere tutte le avvertenze di sicurezza e tutte le istruzioni.** Se non si seguono tutte le istruzioni sotto elencate, si può incorrere in uno shock elettrico, in un incendio e/o in lesioni serie.

### Conservare queste istruzioni.

Il termine "arnese elettrico" in tutti gli avvertimenti sotto elencati si riferisce al vostro arnese elettrico che funziona a corrente (con filo) o ad un arnese che funziona a pile (senza filo).

#### 1) Area di lavoro

- Mantenere l'area di lavoro pulita e ben illuminata.** Aree buie e disordinate favoriscono gli incidenti.
- Non usare arnesi elettrici in atmosfere esplosive, come vicino ai liquidi infiammabili, gas o polveri.** Gli arnesi elettrici creano scintille che possono incendiare la polvere dei vapori.
- Tenere lontani bambini e altre persone mentre si accende l'arnese elettrico.** Le distrazioni possono farvi perdere il controllo.

#### 2) Sicurezza elettrica

- Le spine dell'arnese elettrico devono andare bene per la presa di corrente. Non modificare mai la spina in alcun modo. Non usare alcun adattatore con arnesi elettrici a terra (messo a terra).** Spine non modificate che vanno bene per le prese di corrente ridurranno il rischio di shock elettrico.
- Evitare il contatto corporeo con superfici a terra come tubature, radiatori, fornelli e refrigeratori.** C'è un rischio maggiore di shock elettrico se il vostro corpo è a terra.
- Non esporre arnesi elettrici alla pioggia o a condizioni di umidità.** Se dell'acqua penetra nell'arnese elettrico aumenterà il rischio di shock elettrico.
- Non abusare del filo. Non usare mai il filo per trasportare, spingere o staccare dalla presa l'arnese elettrico. Tenere il filo lontano da calore, olio, bordi taglienti o parti mobili.** Fili danneggiati o aggrovigliati aumentano il rischio di shock elettrico.
- Quando si accende un arnese elettrico all'aperto, usare una prolunga adatta a tale uso.** Usare un filo adatto all'uso all'aperto ridurrà il rischio di shock elettrico.
- Se non è possibile evitare l'uso di un elettrotensile in ambiente umido, usare una rete di alimentazione protetta da un interruttore differenziale (salvavita).** L'uso di un salvavita riduce il rischio di scosse elettriche.

#### 3) Sicurezza personale

- Stare vigili e attento quando si accende un arnese elettrico. Non usare un arnese elettrico mentre si è stanco o sotto l'effetto di droghe, alcool o medicinali.** Un momento di disattenzione mentre si accendono arnesi elettrici può causare delle gravi lesioni personali.
- Usare dispositivi di protezione individuale. Indossare sempre una protezione per gli occhi.** Dispositivi di sicurezza come mascherina per la polvere, scarpe di sicurezza antiscivolo, casco, o protezioni per le orecchie usate nelle appropriate condizioni, ridurranno le lesioni personali.
- Prevenire l'avvio accidentale. Assicurarsi che l'interruttore sia spento prima di collegarsi.** Trasportare elettrotensili tenendo il dito sull'interruttore di accensione o dare corrente ad elettrotensili con l'interruttore acceso può dare luogo a incidenti.

- d) **Rimuovere ogni chiave regolatrice o chiave per dadi prima di accendere l'arnese elettrico.** Una chiave per dadi o una chiave lasciata attaccata ad una parte rotante dell'arnese elettrico può provocare lesioni personali.
- e) **Cercare di mantenere l'equilibrio. Mantenere sempre un punto d'appoggio appropriato.** Questo consente un controllo migliore dell'arnese elettrico in situazioni inaspettate.
- f) **Vestirsi adeguatamente. Non indossare vestiti larghi o gioielli. Tenere lontano capelli, vestiti e guanti dalle parti mobili.** Vestiti larghi, gioielli o capelli lunghi possono essere presi nelle parti mobili.
- g) **Se vengono forniti dispositivi per la connessione dell'estrazione della polvere e attrezzature di raccolta, assicurarsi che questi siano collegati e usati correttamente.** L'uso di questi dispositivi può ridurre i rischi correlati alla polvere.
- h) **Non lasciare che la confidenza acquisita dall'uso frequente induca l'utilizzatore ad assumere comportamenti imprudenti e a ignorare i principi di sicurezza per l'utensile.** Una semplice distrazione può provocare gravi lesioni personali in una frazione di secondo.
- 4) Uso e manutenzione dell'arnese elettrico**
- a) **Non forzare l'arnese elettrico. Usare l'arnese elettrico corretto per il vostro impiego.** L'arnese elettrico corretto farà il lavoro meglio e in maniera più sicura alla velocità per la quale è stato progettato.
- b) **Non usare l'arnese elettrico se l'interruttore non si accende o non si spegne.** Ogni arnese elettrico che non può essere controllato con l'interruttore è pericoloso e deve essere riparato.
- c) **Scollegare la spina dalla sorgente di elettricità prima di fare qualsiasi regolazione, cambiare gli accessori, o conservare arnesi elettrici.** Tali misure di sicurezza preventive riducono il rischio di accendere l'arnese elettrico accidentalmente.
- d) **Conservare gli arnesi elettrici inattivi fuori dalla portata dei bambini e non permettere a persone che non hanno confidenza con l'arnese elettrico o con queste istruzioni di usare l'arnese elettrico.** Gli arnesi elettrici sono pericolosi per utenti inesperti.
- e) **Mantenere gli arnesi elettrici. Controllare il non allineamento o l'attacco di parti mobili, la rottura di parti ed ogni altra condizione che può influire sul funzionamento degli arnesi elettrici.**
- Se è danneggiato, far riparare l'arnese elettrico prima dell'uso.** Molti incidenti sono causati da arnesi elettrici mantenuti male.
- f) **Mantenere gli arnesi da taglio affilati e puliti.** È meno probabile che si attacchino degli arnesi da taglio mantenuti correttamente con tagli affilate e questi sono anche più facili da controllare.
- g) **Usare l'arnese elettrico, gli accessori e le parti dell'arnese ecc, secondo queste istruzioni e nel modo pensato per il particolare tipo di arnese elettrico, tenendo conto delle condizioni di lavoro e del lavoro da svolgere.** L'uso dell'arnese elettrico per operazioni diverse da quelle pensate potrebbe causare situazioni pericolose.
- h) **Mantenere le impugnature e le superfici di presa asciutte, pulite e libere da olio e grasso.** Impugnature e superfici di presa scivolose non consentono di maneggiare e controllare in sicurezza l'utensile in situazioni impreviste.
- 5) Uso e manutenzione dell'utensile a batteria**
- a) **Ricaricare l'apparecchio esclusivamente con il caricabatterie specificato dal fabbricante.** Se si utilizza un caricabatterie di diverso tipo potrebbero verificarsi incendi.
- b) **Utilizzare gli utensili elettrici solo con i pacchi batterie appositamente prescritti.** L'uso di pacchi batterie di diverso tipo aumenta il rischio di infortunio o incendio.
- c) **Quando il pacco batterie non è in uso, tenerlo lontano da oggetti metallici quali fermagli, monete, chiavi, chiodi, viti o altri piccoli oggetti metallici che potrebbero mettere in collegamento i due poli.** Se i poli vengono messi in corto circuito, la batteria potrebbe emettere scintille o fiammate.
- d) **In condizioni di uso scorretto, la batteria potrebbe emettere liquido: evitare pertanto di entrarvi in contatto. In caso di contatto accidentale, risciacquare con acqua. Se il liquido entra a contatto con gli occhi, consultare immediatamente un medico.** Il liquido emesso dalla batteria può causare irritazioni o ustioni.
- e) **Non utilizzare un pacco batterie o l'utensile se danneggiati o manomessi.** Pacchi batterie danneggiati o manomessi potrebbero avere comportamenti imprevedibili con il rischio di incendiarsi, esplodere o provocare lesioni a persone.
- f) **Non esporre un pacco batterie o l'utensile alle fiamme o a temperature eccessivamente elevate.** L'esposizione alle fiamme o a tempe-

rature superiori a 130 °C potrebbe provocare un'esplosione. NOTA: la temperatura di "130 °C" corrisponde a "265 °F".

- g) **Seguire tutte le istruzioni per la ricarica e non caricare il pacco batterie o l'utensile a temperature che non rientrino nell'intervallo specificato nelle istruzioni.** Se si effettua la ricarica in modo improprio o a temperature non comprese nell'intervallo specificato, il pacco batterie potrebbe subire danni e potrebbe aumentare il rischio di incendi.
- 6) **Riparazione**
- a) **L'assistenza per l'elettrotensile deve essere prestata da un tecnico qualificato che utilizzi soltanto ricambi originali.** In questo modo viene garantita la sicurezza dell'elettrotensile.
- b) **Non tentare di riparare pacchi batterie danneggiati.** La riparazione dei pacchi batteria deve essere effettuata esclusivamente dal produttore o presso centri di assistenza autorizzati.

#### ISTRUZIONI DI SICUREZZA SPECIFICHE

- **Le troncatrici sono destinate al taglio del legno o di prodotti simili e non possono essere usate con dischi da taglio abrasivi per tagliare materiale ferroso, come barre, aste, perni, ecc.** La polvere abrasiva provoca l'inzeppamento delle parti in movimento, come la protezione inferiore. Le scintille prodotte dal taglio abrasivo bruciano la protezione inferiore, l'insero della lama e le altre parti in plastica.
- **Se possibile, utilizzare dei morsetti per sostenere il pezzo da lavorare. Se il pezzo viene sostenuto con la mano, mantenerla sempre a una distanza di almeno a 100 mm da entrambi i lati della lama. Non utilizzare questa sega per tagliare pezzi troppo piccoli da fissare con il morsetto o da sostenere con le mani.** Se la mano è posizionata troppo vicino alla lama, il rischio di ferirsi è maggiore a causa del contatto con la stessa.
- **Il pezzo da lavorare deve essere fermo e fissato con il morsetto o mantenuto contro il guidapezzo e il banco. Non inserire il pezzo direttamente sotto la lama né eseguire tagli "a mano libera" in alcun modo.** I pezzi da lavorare incontrollati e mobili potrebbero essere lanciati ad alta velocità, causando possibili lesioni.
- **Spingere la troncatrice attraverso il pezzo da lavorare. Non tirare la troncatrice attraverso il pezzo da lavorare. Per eseguire un taglio, sollevare la testa della troncatrice e posizionarla sopra al pezzo in lavorazione senza tagliarlo, avviare il motore, abbassare la testa della troncatrice e spingere la troncatrice attraverso il pezzo in lavorazione.** Se il taglio viene eseguito tirando la troncatrice, la lama potrebbe saltare sulla parte superiore del pezzo da lavorare, scagliando violentemente il gruppo della lama verso l'operatore.
- **Non incrociare mai le mani sulla linea di taglio prevista, né davanti né dietro la lama.** Sostenere il pezzo da lavorare a mani incrociate, ovvero tenere il pezzo sulla destra della lama con la mano sinistra (e viceversa), è estremamente pericoloso.
- **Non mettere le mani dietro il guidapezzo avvicinandosi a più di 100 mm da uno dei due lati della lama, per rimuovere resti di legno o per qualsiasi altro motivo, mentre la lama sta girando.** La vicinanza della lama in rotazione alla mano potrebbe non essere evidente e potrebbero verificarsi lesioni gravi.
- **Ispezionare il pezzo da lavorare prima di tagliarlo. Nel caso in cui il pezzo da lavorare sia piegato o deformato, fissarlo con i morsetti con la parte esterna del lato piegato rivolta verso il guidapezzo. Accertarsi sempre che non vi siano spazi vuoti tra il pezzo da lavorare, il guidapezzo e il banco lungo la linea di taglio.** I pezzi da lavorare piegati o deformati possono distorcersi o spostarsi, provocando un inceppamento della lama in rotazione durante il taglio. Nel pezzo da lavorare non devono essere presenti chiodi o corpi estranei.
- **Non utilizzare la troncatrice fino a quando il banco non è sgombrato da utensili, resti di legno, ecc., eccetto che il pezzo da lavorare.** Nel caso in cui piccoli detriti, pezzi di legno sciolti o altri oggetti entrino in contatto con la lama in movimento potrebbero essere lanciati ad alta velocità.
- **Tagliare solo un pezzo alla volta.** Più pezzi impilati non possono essere adeguatamente fissati con un morsetto né sostenuti, con il rischio di rimanendo incastrati alla lama o di spostarsi durante il taglio.
- **Prima dell'uso, assicurarsi che la troncatrice sia installata o posizionata su una superficie di lavoro piana e solida.** Una superficie di lavoro piana e solida riduce il rischio che la troncatrice diventi instabile.
- **Pianificare il lavoro da eseguire. Ogni volta che si modifica l'impostazione dell'angolo di taglio**

**inclinato o di taglio obliquo, assicurarsi che il guidapezzo regolabile sia regolato correttamente per sostenere il pezzo da lavorare, senza interferire con il movimento della lama o con il sistema di protezione.** Senza avviare l'utensile e senza nessun pezzo da lavorare sul banco, fare compiere alla lama della troncatrice un giro completo, simulando il taglio, per accertarsi che non vi sia alcuna interferenza e che non sussista il pericolo di tagliare il guidapezzo.

- **Nel caso in cui il pezzo da lavorare sia più lungo o più largo della superficie del banco della troncatrice, predisporre una superficie di appoggio adeguata, come una prolunga del banco, un cavalletto, ecc.** I pezzi da lavorare più lunghi o più larghi della superficie del banco della troncatrice, non sostenuti in modo sicuro, possono rovesciarsi. Se un pezzo tagliato o il pezzo da lavorare si rovescia, potrebbe sollevare la protezione inferiore oppure essere scagliato via dalla lama in rotazione.
- **Non utilizzare un'altra persona al posto di una prolunga del banco o come sostegno aggiuntivo.** Un sostegno instabile per il pezzo da lavorare può provocare l'inceppamento della lama sul pezzo oppure il pezzo potrebbe spostarsi durante l'operazione di taglio, trascinando l'operatore o l'assistente contro la lama in rotazione.
- **Non bloccare né premere in alcun modo il pezzo tagliato contro la lama in rotazione.** Se confinato, per esempio tramite l'uso dei fincorsa di lunghezza, il pezzo tagliato potrebbe incunearsi contro la lama ed essere scagliato via violentemente.
- **Utilizzare sempre un morsetto o un altro dispositivo di fissaggio per offrire un supporto stabile a parti cilindriche come barre e tubi come barre o tubi.** Poiché le barre tendono a rotolare durante il taglio, la lama potrebbe "addentarle" trascinandole verso di sé, insieme alla mano dell'operatore.
- **Lasciare che la lama raggiunga la piena velocità prima di appoggiarla sul pezzo da lavorare.** In questo modo si ridurrà il rischio che il pezzo sia scagliato via.
- **In caso di inceppamento del pezzo da lavorare o della lama, spegnere la troncatrice. Attendere l'arresto di tutte le parti in movimento e scollegare la spina dalla presa di corrente e/o rimuovere il pacco batteria. A questo punto liberare il materiale inceppato.** Proseguire con il taglio con un pezzo inceppato potrebbe causare

la perdita di controllo o il danneggiamento della troncatrice.

- **Dopo il completamento dell'operazione di taglio, rilasciare l'interruttore, mantenere abbassata la testa della troncatrice e attendere che la lama si arresti prima di rimuovere il pezzo tagliato.** Avvicinarsi con la mano alla lama in movimento è pericoloso.
- **Tenere saldamente l'impugnatura quando si esegue un taglio incompleto oppure quando si rilascia l'interruttore prima che la testa della troncatrice sia completamente abbassata.** L'azione frenante della troncatrice potrebbe provocare l'abbassamento improvviso della sua testa, causando il rischio di lesioni.
- **Tenere pulita l'area di lavoro.** Le miscele di materiale sono particolarmente pericolose. La polvere di metallo leggero può prendere fuoco o esplodere.
- **Non utilizzare lame spuntate, crepate, piegate o danneggiate. Le lame non affilate o non correttamente fissate producono un taglio più stretto, provocando un attrito eccessivo, l'inceppamento della lama e un contraccolpo.**
- **Non utilizzare lame in acciaio (HSS).** Queste lame possono rompersi facilmente.
- **Utilizzare sempre lame con dimensione e forma corrette (diamante rispetto a cerchio) dei fori dell'albero.** Le lame non adatte ai rispettivi pezzi di montaggio avranno una rotazione eccentrica causando la perdita di controllo dell'elettrotensile.
- **Non sostituire il laser integrato con un laser di altro tipo.** Un laser non compatibile con questo elettrotensile potrebbe rappresentare un rischio per le persone.
- **Non rimuovere mai detriti, trucioli di legno, ecc. dall'area di taglio mentre l'elettrotensile è in funzione.** Guidare sempre prima il braccio della macchina in posizione neutra, quindi spegnere l'elettrotensile.
- **Dopo l'uso della troncatrice attendere che la lama si raffreddi prima di toccarla.** La lama della troncatrice si riscalda molto durante il lavoro.
- **Non rendere mai irricognoscibili i segnali di avviso sulla macchina.**
- **Se la radiazione laser colpisce un occhio, chiudere gli occhi e allontanare immediatamente la testa dal raggio.**
- **Non utilizzare strumenti ottici, come un binocolo, per guardare la sorgente di radiazione.**

L'occhio potrebbe subire danni.

- **Non dirigere il raggio laser verso persone che guardano attraverso un binocolo o strumenti simili.** I loro occhi potrebbero subire danni.
- **Non apportare modifiche all'apparecchiatura laser.** Le opzioni di impostazione descritte in queste istruzioni operative ne assicurano l'utilizzo in sicurezza.
- **Non stare in linea con la lama della troncatrice davanti all'utensile elettrico.** Tenersi sempre a lato della lama. In questo modo il proprio corpo è protetto da eventuali contraccolpi.
- **Tenere le mani, le dita e le braccia lontane dalla lama mentre gira.**
- **Non avvicinare una mano all'altra quando ci si trova davanti al braccio dell'utensile.**
- **Evitare che i denti della lama si surriscaldino. Se la lama della troncatrice si surriscalda, arrestare l'elettrotensile.** Lasciare raffreddare la lama della troncatrice prima di utilizzare nuovamente la macchina.
- **Sostituire immediatamente le lame danneggiate o usurate.**
- **Usare solo lame, le cui caratteristiche coincidano con quelle riportate nel manuale d'uso e che sono state testate e contrassegnate conformemente alla norma EN 847-1.**
- **Quando si devono segare pezzi curvi o tondi, questi devono essere fissati in modo specifico contro lo slittamento. Nella linea di taglio, non ci dovrebbe essere spazio tra il pezzo in lavorazione, il guida pezzo e il banco della sega.** Se necessario, si dovranno fabbricare dispositivi speciali.

#### Sicurezza elettrica



*Controllare sempre che la tensione di alimentazione corrisponda alla tensione indicata sulla targhetta delle caratteristiche.*

- Non utilizzare l'elettrotensile quando il cavo o la spina di alimentazione sono danneggiati.
- Utilizzare esclusivamente cavi di prolunga idonei per la potenza nominale dell'elettrotensile, con conduttori di sezione minima di 1,5 mm<sup>2</sup>. Quando si utilizza un cavo di prolunga con avvolgicavo, svolgere sempre completamente il cavo.

## 2. INFORMAZIONI RELATIVE ALL'ELETTROTENSILE

#### Uso previsto

Questo elettrotensile è concepito come macchina fissa per l'esecuzione di tagli longitudinali e trasversali nel legno, lungovena o in senso opposto. È possibile eseguire tagli obliqui con angoli di taglio da -45° a +45° e tagli inclinati con angoli da -0° a + 45°. L'elettrotensile con la lama montata è stato progettato con una capacità sufficiente per segare legno duro e tenero, oltre che truciolato e pannelli in fibra di legno. La lama non è progettata per tagliare legna da ardere. Non utilizzare la troncatrice per tagliare materiali diversi da quelli specificati, descritti nel manuale.

#### DATI TECNICI

N° modello	MS502AC
Tensione	220-240V~
Frequenza	50 Hz
Potenza assorbita	2000W
Velocità a vuoto	4500 giri/min
Angoli di taglio obliquo	-45° <> +45°
Angoli di taglio inclinato	-45° <> 0° a sinistra, taglio inclinato singolo
Specifiche della lama:	
Diametro	Ø 254 mm
Spessore della lama di base	1,6 mm
Larghezza del taglio	2,8 mm
Diametro di alesaggio	Ø 30 mm
Numero di denti	60T
Capacità lama (altezza x larghezza):	
Taglio obliquo 0° - Taglio inclinato 0°	90 x 340 mm
Taglio obliquo 0° - Taglio inclinato 45°	45 x 340 mm
Taglio obliquo 45° - Taglio inclinato 0°	90 x 240 mm
Taglio obliquo 45° - Taglio inclinato 45°	45 x 240 mm
Dimensioni minime del pezzo	3 x 10 mm
Specifiche del laser:	
Classe	2
Lunghezza d'onda	650 nm
Uscita	< 1 mW

Weight	14,3 kg
Lpa (Livello di pressione sonora)	97,2 +3 dB(A)
Lwa (Livello di potenza sonora)	110,2 +3 dB(A)
Vibrazione	<2,5 m/s <sup>2</sup>

### Livello delle vibrazioni

Il livello di emissione delle vibrazioni indicato sul retro di questo manuale di istruzioni è stato misurato in conformità a un test standardizzato stabilito dalla norma EN 60745; questo valore può essere utilizzato per mettere a confronto un l'utensile con un altro o come valutazione preliminare di esposizione alla vibrazione quando si impiega l'utensile per le applicazioni menzionate.

- se si utilizza l'utensile per applicazioni diverse, oppure con accessori differenti o in scarse condizioni, il livello di esposizione potrebbe aumentare notevolmente.
- i momenti in cui l'utensile è spento oppure è in funzione ma non viene effettivamente utilizzato per il lavoro, possono contribuire a ridurre il livello di esposizione.

Proteggersi dagli effetti della vibrazione effettuando la manutenzione dell'utensile e dei relativi accessori, mantenendo le mani calde e organizzando i metodi di lavoro.

### DESCRIZIONE

I numeri che compaiono nel testo si riferiscono agli schemi riportati alle pagine 2-6.

1. Pulsante di sicurezza
2. Impugnatura
3. Interruttore di accensione/spostamento
4. Protezione
5. Protezione retraibile
6. Lama
7. Guidapezzo regolabile
8. Finecorsa di lunghezza
9. Guidapezzo
10. Prolunga del banco
11. Banco
12. Fori di fissaggio
13. Tavola di taglio
14. Manopola per regolazione angolo di taglio obliquo
15. Leva per regolazione angolo di taglio obliquo
16. Scala graduata per angolo di taglio obliquo
17. Indicatore per angolo di taglio obliquo
18. Laser
19. Indicatore per angolo di taglio inclinato
20. Scala graduata per angolo di taglio inclinato
21. Morsa di bloccaggio del pezzo in lavorazione
22. Manopola per regolazione angolo di taglio inclinato
23. Rullo
24. Vite di regolazione profondità
25. Guide di scorrimento
26. Sacchetto raccogli-polvere
27. Maniglia di trasporto
28. Presa di aspirazione polveri
29. Bullone di fissaggio guide di scorrimento
30. Protezione anti-ribaltamento posteriore
31. Vite di arresto per angolo di taglio inclinato a 45°
32. Vite di arresto per angolo di taglio inclinato a 0°
33. Bullone di bloccaggio morsetto del pezzo
34. Bullone di bloccaggio prolunga del banco
35. Bullone di bloccaggio guidapezzo regolabile
36. Vite di regolazione guidapezzo
37. Protezione anti-ribaltamento anteriore
38. Manopola di bloccaggio della posizione
39. Vite senza testa
40. Bullone di fissaggio
41. Flangia di bloccaggio
42. Vite di bloccaggio
43. Blocco fuso
44. Manopola del morsetto del pezzo
45. Dado zigrinato per regolazione profondità
46. Luce di lavoro a LED
47. Vite del carter raggio laser
48. Viti di regolazione laser
49. Controdado per angolo di taglio inclinato a 45°
50. Controdado per angolo di taglio inclinato a 0°
51. Bulloni del guidapezzo

### 3. MONTAGGIO



*Prima di eseguire qualsiasi lavoro sulla macchina, scollegare la spina dalla presa di corrente.*

#### Posizione di trasporto (Figg. B e C)

La manopola di blocco della posizione (38) facilita lo spostamento dell'elettrotensile quando lo si trasporta nei vari luoghi di lavoro.

### Sbloccaggio della posizione di trasporto (posizione di lavoro)

1. Premere leggermente l'impugnatura (2) verso il basso.
2. Tirare la manopola di bloccaggio (38) completamente verso l'esterno e bloccarla in posizione ruotandola.
3. Spostare lentamente l'impugnatura (2) verso l'alto.

### Bloccaggio nella posizione di trasporto (posizione di trasporto)

Prima di bloccare la macchina in posizione di trasporto, accertarsi che la vite di regolazione della profondità (24) sia regolato su una profondità illimitata. In questo modo, l'impugnatura (2) può essere abbassata completamente senza toccare l'arresto di profondità. Inoltre, rimuovere tutti gli accessori che non possono essere fissati in modo sicuro sulla macchina.

1. Allentare il bullone di bloccaggio delle guide di scorrimento (29), se è serrato.
2. Tirare l'impugnatura (2) in avanti verso di sé e stringere il bullone di bloccaggio delle guide di scorrimento (29);
3. Spingere giù completamente l'impugnatura (2).
4. Bloccare la manopola di bloccaggio della posizione (38) tirandola e successivamente ruotandola.
5. Avvolgere il cavo di alimentazione e legarlo insieme con la fascetta in dotazione.

Dopo aver bloccato la posizione di trasporto, utilizzare la maniglia di trasporto (27) per sollevare e trasportare in sicurezza la macchina.



*Per trasportare l'elettrotensile utilizzare solo la maniglia di trasporto e non tenerlo mai dalle protezioni.*

### **Installazione di una macchina stazionaria (Figg. A, B e D)**

Per garantire una manipolazione sicura, l'elettrotensile deve essere fissato su una superficie di lavoro piana e stabile (ad esempio, un banco di lavoro) prima dell'uso. È possibile installare la macchina in due modi:

#### 1. Su un banco di lavoro

In questo caso deve essere fissata al banco di lavoro con delle viti di fissaggio idonee. Per fare

questo utilizzare i quattro fori (12), come illustrato nella Fig. D.

#### 2. Su un telaio di supporto



*Leggere tutte le avvertenze e le istruzioni incluse con il cavalletto per troncatrice. L'inosservanza delle avvertenze e delle istruzioni seguenti può causare scossa elettrica, incendi e/o gravi lesioni personali.*



*Assemblare correttamente il cavalletto prima di montare l'elettrotensile. Il corretto assemblaggio è importante per prevenire il rischio di collasso.*

In questo caso la macchina deve essere fissata al telaio di supporto con dei bulloni. Per fare questo utilizzare i quattro fori (12), Il telaio di supporto deve essere ancorato con 4 bulloni alla piastra a pavimento con dimensioni di almeno 1 metro quadrato. Montare l'utensile elettrico sul cavalletto di supporto in posizione di trasporto.

#### 3. Installazione flessibile



*Questo tipo di installazione non è raccomandato dal produttore.*

Se, in circostanze eccezionali, non fosse possibile fissare l'elettrotensile su una superficie di lavoro piana e stabile, è possibile improvvisare installandolo con le protezioni anti-ribaltamento.



*Senza la protezione anti-ribaltamento, l'utensile non sarà stabile e può ribaltarsi soprattutto quando si eseguono tagli obliqui o inclinati con l'angolo massimo di inclinazione e / o angolo di inclinazione.*

- Allentare le viti senza testa (39) usando una chiave esagonale. Far scorrere completamente la protezione anti-ribaltamento (30) verso l'esterno, come illustrato nelle Figure E1 ed E2. A questo punto, stringere nuovamente la vite senza testa (39).
- Ruotare la protezione anti-ribaltamento in avanti (37) verso l'interno o l'esterno, come illustrato nella Figura F, finché l'elettrotensile non sarà posizionato in piano sulla superficie di lavoro.



**Controllo della protezione (Fig. A)**

La protezione retraibile (5) protegge da contatti accidentali con la lama e da schegge di legno che volano in giro. Prima dell'uso, verificare se la protezione della lama funziona correttamente. Per farlo tirare la maniglia (2) verso il basso e verificare quanto segue:

- La protezione retraibile (5) deve consentire l'accesso alla lama della sega (6) senza entrare in contatto con altre parti.
- Quando la testa di taglio viene ribaltata verso l'alto nella posizione di partenza, la protezione retraibile (5) deve coprire l'intera lama (6) automaticamente.

**Sostituzione della lama (Fig G)**

*Prima di eseguire qualsiasi lavoro sulla macchina, scollegare la spina dalla presa di corrente.*



*Per installare la lama indossare guanti di protezione. Pericolo di lesioni personali in caso di contatto con la lama.*



*Utilizzare esclusivamente lame che corrispondano alle caratteristiche riportate nelle istruzioni per l'uso. Utilizzare esclusivamente lame sulle quali è marcata una velocità uguale o maggiore alla velocità marcata sulla troncatrice.*



*Non usare in nessun caso dei dischi abrasivi come dispositivo di taglio.*

Prima di sostituire la lama, si consiglia vivamente di impostare l'angolo di taglio obliquo e l'angolo di taglio inclinato su 0°. In caso contrario, l'accesso potrebbe essere limitato.

**Rimozione della lama**

1. Bloccare la testa della troncatrice in posizione alzata con la manopola di bloccaggio della posizione (38).
2. Allentare il bullone di fissaggio (40) usando un cacciavite croce, come illustrato nella Figura G1. AVVERTENZA! Non rimuovere completamente il bullone di fissaggio (40), ma allentarlo solamente.
3. Piegarlo verso l'alto la protezione retraibile (5) fino a quando il bullone di bloccaggio (42) sarà accessibile liberamente, come illustrato nella figura G2.

4. Inserire la chiave esagonale nel bullone di bloccaggio (42). La protezione retraibile (5) può essere rilasciata. Si piegherà sulla chiave esagonale.
5. Ruotare il bullone di bloccaggio (42) con la chiave esagonale (34) e contemporaneamente premere il blocco del mandrino (43) finché non si innesta.
6. Afferrare saldamente il blocco del mandrino (43) e allentare il bullone di bloccaggio (42) ruotandolo in senso orario (filettatura sinistra).
7. Rimuovere la vite di bloccaggio (42) e la flangia di bloccaggio (41). Successivamente, la lama (6) potrà essere rimossa.

**Installazione della lama**

*Durante il montaggio della lama, assicurarsi che la direzione di taglio dei denti (direzione della freccia sulla lama) corrisponda alla direzione della freccia riportata sulla protezione (4).*



*Durante il montaggio della lama (6), verificare che essa ruoti liberamente nella tavola di taglio (13) in entrambe le impostazioni dell'angolo, a 0° e 45°.*

1. Pulire la lama e tutte le parti di bloccaggio da assemblare.
2. Allentare il bullone di fissaggio (40) usando un cacciavite croce, come illustrato nella Figura G1. AVVERTENZA! Non rimuovere completamente il bullone di fissaggio (40), ma allentarlo solamente.
3. Piegarlo verso l'alto la protezione retraibile (5) fino a quando il bullone di bloccaggio (42) sarà accessibile liberamente, come illustrato nella figura G2.
4. Inserire la chiave esagonale nel bullone di bloccaggio (42). La protezione retraibile (5) può essere rilasciata. Si piegherà sulla chiave esagonale.
5. Montare la flangia di bloccaggio (41). Assicurarsi che i lati piatti della flangia di bloccaggio corrispondano ai lati piatti dell'albero della lama. Assicurarsi inoltre che il lato convesso della flangia di bloccaggio sia montato all'esterno.
6. Inserire il bullone di bloccaggio (42) e ruotarlo con la chiave esagonale premendo contemporaneamente il blocco del mandrino (43), finché non si innesta.

7. Tenere saldamente il blocco del mandrino (43) e serrare il bullone di bloccaggio (42) ruotandolo in senso antiorario.

#### Aspirazione delle polveri (Figg. A, B, W e X)



*Fornire una buona ventilazione sul posto di lavoro.*



*Indossare dispositivi di protezione per l'udito.*

La polvere di materiali come la vernice al piombo e alcuni tipi di legno può essere dannosa per la salute. L'inalazione di questa polvere può causare reazioni allergiche e/o causare malattie respiratorie per l'utilizzatore o le persone che si trovano nelle immediate vicinanze. Alcuni tipi di polveri, come quella proveniente dal legno di quercia o di faggio, sono classificati come cancerogeni, in special modo se combinati con additivi chimici per il trattamento del legno (prodotti per la preservazione del legno a base di cromo). Si consiglia vivamente di utilizzare un sistema di aspirazione delle polveri adatto al materiale, laddove possibile.



*Evitare che si accumuli polvere nel luogo di lavoro. La polvere può facilmente incendiarsi.*

Il sistema di aspirazione delle polveri può essere ostruito da polvere, schegge o frammenti di pezzi in lavorazione. Pertanto, deve essere pulito regolarmente. Procedere come descritto di seguito:

1. Staccare la spina dalla presa di corrente.
2. Attendere fino al completo arresto della lama.
3. Rimuovere le eventuali ostruzioni, se necessario

#### Montaggio del sacchetto raccogli-polvere (Fig. W)

Premere il morsetto del sacchetto raccogli-polvere (26) e farlo scorrere sulla presa di aspirazione polveri (28) sul retro della macchina. Il sacchetto raccogli-polvere rimane in posizione quando si rilascia il morsetto.

#### Collegamento di un dispositivo di aspirazione delle polveri (Fig. X)



*Il dispositivo di aspirazione delle polveri deve essere adatto al materiale del pezzo in lavorazione.*



*Durante l'aspirazione di polvere secca particolarmente dannosa per la salute o cancerogena, utilizzare un dispositivo di aspirazione delle polveri specifico.*

Il tubo di tubo di un dispositivo di aspirazione può essere collegato alla presa di aspirazione (28). Per farlo, collegare semplicemente il tubo di aspirazione al connettore del dispositivo di aspirazione della polvere.

## 4. FUNZIONAMENTO



*Prima di accendere la macchina, controllare sempre che la lama sia montata correttamente. La lama deve girare in modo uniforme.*



*Controllare sempre le protezioni prima dell'uso.*



*Per tutti i tagli, assicurarsi prima che la lama non venga mai a contatto con il guidapezzo, il morsetto di bloccaggio del pezzo o altre parti della macchina. Rimuovere eventuali dispositivi di arresto ausiliari montati o regolarli di conseguenza.*

#### Sostegno dei pezzi in lavorazione (Fig. H)

I pezzi da tagliare devono essere sempre sostenuti correttamente. Le prolunghie del banco (10) possono essere allungate a destra e a sinistra per sostenere un pezzo. Procedere come descritto di seguito:

1. Allentare il bullone di fissaggio della prolunga del banco (34).
2. Spostare la prolunga del banco (10) nella posizione desiderata.
3. Stringere il bullone di fissaggio della prolunga del banco (34).

Quando si tagliano pezzi extra lunghi, sotto l'estremità libera di tali pezzi deve essere posto un appoggio aggiuntivo oppure essere sostenuta.

#### Bloccaggio del pezzo in lavorazione (Fig. H)

I pezzi in lavorazione devono essere sempre ben serrati. Il morsetto di bloccaggio del pezzo in lavorazione (21) può essere posizionato sia a destra che a sinistra per sostenere il pezzo. Procedere come descritto di seguito:

1. Assicurarsi che il pezzo sia premuto saldamente contro il guidapezzo (9).
2. Inserire il morsetto di bloccaggio del pezzo in

lavorazione (21) in dotazione in uno dei fori previsti per questo scopo, come illustrato nella Figura H.

3. Regolare l'asta filettata del morsetto di bloccaggio (21) all'altezza del pezzo da tagliare.
4. Stringere saldamente l'asta filettata del morsetto di bloccaggio (21) per fissare il pezzo in posizione. Per allentarla, svitare semplicemente l'asta filettata del morsetto di bloccaggio (21).

La manopola del morsetto di bloccaggio (44) può essere utilizzata per regolare più rapidamente l'altezza del morsetto stesso (21). Dopo aver regolato l'altezza, stringere sempre saldamente l'asta filettata del morsetto di bloccaggio (21) per fissare in posizione il pezzo in lavorazione.

### Regolazione del guidapezzo (Fig. H)



*Regolare sempre il guidapezzo in base al tipo di taglio specifico.*

Quando vengono eseguiti angoli obliqui e / o inclinati è necessario spostare il guidapezzo regolabile (7) in base alla direzione del taglio. In questo modo, il pezzo in lavorazione è sempre adeguatamente sostenuto dal guidapezzo in ogni condizione. Procedere come descritto di seguito:

1. Allentare il bullone di fissaggio del guidapezzo regolabile (35).
2. Regolare il guidapezzo in base al taglio desiderato. Per tagli obliqui o dritti il guidapezzo deve essere spostato verso la lama (max 8 mm) senza toccarla. Per tagli inclinati il guidapezzo deve essere spostato verso l'esterno, nella direzione opposta alla lama (max 8 mm) senza toccarla.
3. Stringere il bullone di fissaggio del guidapezzo regolabile (35).
4. Per garantire che la lama non entri in contatto con il guidapezzo regolabile (35), si consiglia di eseguire una prova del movimento della lama, senza accendere la macchina.

### Regolazione dell'angolo di taglio obliquo (Fig. A)

L'angolo di taglio obliquo può essere regolato tra 45° a sinistra e 45° a destra. Per una regolazione rapida e precisa degli angoli di taglio usati comunemente sul piano del banco sega sono disponibili degli indicatori prestabiliti in corrispondenza degli angoli 0°, 15°, 22,5°, 30° e 45°.

### Regolazione dell'angolo di taglio obliquo a un valore prestabilito

1. Allentare la manopola di regolazione dell'angolo di taglio obliquo (14);
2. Tirare la leva di regolazione dell'angolo di taglio obliquo (15) e ruotare il piano del banco sega (11) verso sinistra o destra fino al valore preimpostato desiderato. L'angolo può essere letto sulla scala per angolo di taglio obliquo (16) mediante l'indicatore dell'angolo di taglio obliquo (17).
3. Rilasciare la leva. La leva deve essere percepita per innestarsi nel fermo del valore preimpostato.
4. Stringere la manopola di regolazione dell'angolo di taglio obliquo (14).

### Regolazione dell'angolo di taglio obliquo su qualsiasi angolo richiesto

1. Allentare la manopola di regolazione dell'angolo di taglio obliquo (14);
2. Tirare la leva di regolazione dell'angolo di taglio obliquo (15) e ruotare il piano del banco sega (11) verso sinistra o destra fino alla posizione desiderata. L'angolo può essere letto sulla scala per angolo di taglio obliquo (16) mediante l'indicatore dell'angolo di taglio obliquo (17).
3. Rilasciare la leva e stringere la manopola di regolazione dell'angolo di taglio obliquo (14).

### Regolazione dell'angolo di taglio inclinato (Figg. A e B)

L'angolo di taglio inclinato può essere impostato tra 0° e + 45° a sinistra. Procedere come descritto di seguito:

1. Allentare la manopola di regolazione dell'angolo di taglio inclinato (22);
2. Inclinare la testa della troncatrice usando l'impugnatura (2) finché l'indicatore (19) legge la posizione desiderata sulla scala per l'angolo di taglio inclinato (20).
3. Serrare la manopola di regolazione dell'angolo di taglio inclinato (22);

### Accensione e spegnimento della macchina (Fig. A)

- Per accendere la macchina tenere premuto il pulsante di sicurezza (1), quindi premere l'interruttore di accensione/spegnimento (3).
- Per arrestare la macchina rilasciare l'interruttore di accensione/spegnimento (3).

**Esecuzione di un taglio trasversale (Figg. I e J)**

Seguire questi passaggi per eseguire un taglio perpendicolare alla vena del legno.

1. Regolare l'angolo di taglio obliquo e l'angolo di taglio inclinato su 0°.
2. Spostare il guidapezzo regolabile nella posizione interna, verso la lama. La distanza massima tra il guidapezzo regolabile (35) e la lama (6) è di 8 mm, come mostrato nella Figura J. Assicurarsi che il guidapezzo non tocchi la lama.
3. Bloccare saldamente il pezzo in lavorazione.
4. Accendere la macchina. Assicurarsi che la lama abbia raggiunto la massima velocità.
5. A questo punto spingere lentamente l'impugnatura verso il basso in modo che la lama tagli attraverso il pezzo in lavorazione e passi attraverso la scanalatura nel piano del banco sega. Non esercitare molta pressione sulla testa di taglio. Lasciare che l'elettrotensile svolga il lavoro.
6. Sollevare delicatamente l'impugnatura e spegnere la macchina, rilasciando l'interruttore.

**Esecuzione di un taglio obliquo (Figg. J e K)**

Seguire i passaggi elencati sotto per eseguire un taglio in angolo rispetto alla superficie del legno.

1. Regolare l'angolo di taglio obliquo nella posizione desiderato e l'angolo di taglio inclinato su 0°.
2. Spostare il guidapezzo regolabile nella posizione interna, verso la lama. La distanza massima tra il guidapezzo regolabile (35) e la lama (6) è di 8 mm, come mostrato nella Figura J. Assicurarsi che il guidapezzo non tocchi la lama.
3. Bloccare saldamente il pezzo in lavorazione.
4. Accendere la macchina. Assicurarsi che la lama abbia raggiunto la massima velocità.
5. A questo punto spingere lentamente l'impugnatura verso il basso in modo che la lama tagli attraverso il pezzo in lavorazione e passi attraverso la scanalatura nel piano del banco sega. Non esercitare molta pressione sulla testa di taglio. Lasciare che l'elettrotensile svolga il lavoro.
6. Sollevare delicatamente l'impugnatura e spegnere la macchina, rilasciando l'interruttore.

**Esecuzione di un taglio inclinato (Figg. L e M)**

Seguire i passaggi elencati sotto per eseguire un taglio in angolo rispetto al bordo del legno.

1. Regolare l'angolo di taglio obliquo su 0° e l'angolo di taglio inclinato sulla posizione desiderata.
2. Spostare il guidapezzo regolabile in posizione esterna, lontano dalla lama. La distanza mas-

sima tra il guidapezzo regolabile (35) e la lama (6) è di 8 mm, come mostrato nella Figura M.

3. Bloccare saldamente il pezzo in lavorazione. Assicurarsi che il morsetto di bloccaggio del pezzo in lavorazione sia posizionato sul lato destro.
4. Accendere la macchina. Assicurarsi che la lama abbia raggiunto la massima velocità.
5. A questo punto spingere lentamente l'impugnatura verso il basso in modo che la lama tagli attraverso il pezzo in lavorazione e passi attraverso la scanalatura nel piano del banco sega. Non esercitare molta pressione sulla testa di taglio. Lasciare che l'elettrotensile svolga il lavoro.
6. Sollevare delicatamente l'impugnatura e spegnere la macchina, rilasciando l'interruttore.

**Esecuzione di un taglio composto (Figg. M e N)**

Seguire i passaggi elencati sotto per creare un taglio composto da un taglio obliquo e da un taglio inclinato.

1. Regolare l'angolo di taglio obliquo e l'angolo di taglio inclinato sulla posizione desiderata.
2. Spostare il guidapezzo regolabile in posizione esterna, lontano dalla lama. La distanza massima tra il guidapezzo regolabile (35) e la lama (6) è di 8 mm, come mostrato nella Figura M. Assicurarsi che il guidapezzo non tocchi la lama.
3. Bloccare saldamente il pezzo in lavorazione. Assicurarsi che il morsetto di bloccaggio del pezzo in lavorazione sia posizionato sul lato destro.
4. Accendere la macchina. Assicurarsi che la lama abbia raggiunto la massima velocità.
5. A questo punto spingere lentamente l'impugnatura verso il basso in modo che la lama tagli attraverso il pezzo in lavorazione e passi attraverso la scanalatura nel piano del banco sega. Non esercitare molta pressione sulla testa di taglio. Lasciare che l'elettrotensile svolga il lavoro.
6. Sollevare delicatamente l'impugnatura e spegnere la macchina, rilasciando l'interruttore.

**Uso della funzione di scorrimento**

Per pezzi extra larghi, la macchina è dotata di una funzione di scorrimento. Quando si utilizza la funzione di scorrimento, assicurarsi di allentare il bullone di bloccaggio delle guide di scorrimento (29). Allontanare l'impugnatura (2) lontano dal guidapezzo (9), finché la lama si trova davanti al pezzo in lavorazione. Guidare lentamente il braccio dell'utensile verso il

basso con l'impugnatura, quindi spingere l'impugnatura (2) verso il guidapezzo (9) ed effettuare il taglio attraverso il pezzo con avanzamento uniforme.

Per pezzi di piccole dimensioni, è possibile bloccare lo scorrimento nella posizione posteriore della lama con il bullone di bloccaggio delle guide di scorrimento (29). Se si desidera una maggiore larghezza di taglio, è necessario allentare il bullone di bloccaggio delle guide di scorrimento (29).

#### Utilizzo del fincorsa di lunghezza (Fig. O)

Il fincorsa di lunghezza (8) su entrambe le prolunghie del banco a sinistra e destra (10) può essere utilizzato per tagliare facilmente i pezzi alla stessa lunghezza.

1. Spostare il fincorsa di lunghezza (8) verso l'alto.
2. Allentare il bullone di fissaggio della prolunga del banco (34).
3. Regolare la prolunga del banco (10) alla lunghezza desiderata.
4. Stringere il bullone di fissaggio della prolunga del banco (34).

#### Regolazione dell'arresto di profondità (Fig. P)

L'arresto di profondità può essere regolato, per limitare la profondità di taglio. Questo dispositivo può essere usato per tagliare facilmente una scanalatura. Procedere come descritto di seguito:

1. Allentare il dado zigrinato per la regolazione della profondità (45);
2. Regolare la manopola di regolazione della profondità (24) alla profondità desiderata;
3. Stringere il dado zigrinato per la regolazione della profondità (45).

#### Accensione e spegnimento del laser (Fig. B)

Premere l'interruttore del laser (46) per accendere/spegnere il laser. L'interruttore del laser (46) accende anche la luce di lavoro a LED.

#### Regolazione fine



*Prima di qualsiasi intervento di regolazione, scollegare la spina dalla presa di corrente.*

Per garantire tagli precisi, le impostazioni di base della troncatrice devono essere controllate e regolate prima del primo utilizzo e dopo un uso intensivo. A tale scopo sono necessari strumenti speciali adatti. Il servizio post-vendita Vonroc aiuterà a gestire questo lavoro in modo rapido e affidabile.

#### Regolazione fine del laser (Fig. Q)

Nota: per testare la funzione laser è necessario che l'elettrotensile sia collegato alla presa di corrente.

Durante la regolazione del laser (ad esempio, quando viene spostato il braccio dell'utensile), non attivare mai l'interruttore di accensione/spegnimento. L'avvio accidentale dell'elettrotensile può provocare lesioni personali.

Se il laser (18) cessa di indicare la linea di taglio corretta è possibile ripetere la regolazione. Procedere come descritto di seguito:

1. Allentare le viti del carter (47) per rimuovere il carter anteriore.
2. Allentare le viti di regolazione del laser (48) e posizionare il laser spostandolo finché il laser non colpisce i denti della lama (6);
3. Montare il carter anteriore serrando entrambe le viti del carter (47).

#### Messa a punto dell'angolo di taglio a 0° (Figg. R e S)

1. Regolare l'angolo di taglio obliquo e l'angolo di taglio inclinato su 0°.
2. Abbassare l'impugnatura (2) e fissarla con la manopola di bloccaggio della posizione (38).
3. Bloccare il movimento di scorrimento utilizzando il bullone di bloccaggio di guide di scorrimento (29).
4. Impostare il calibro per angoli su 90° e posizionarlo banco (11), come mostrato nella figura S. La gamba del calibro per angoli deve essere a filo con la lama (6) per tutta la sua lunghezza.
5. Allentare il controdado per l'angolo di taglio inclinato a 0° (50).
6. Regolare la vite di arresto per l'angolo di taglio inclinato a 0° (32) finché la gamba del calibro per angoli non sarà a filo con la lama per tutta la sua lunghezza;
7. Stringere nuovamente il controdado per l'angolo di taglio inclinato a 0° (50).

Successivamente controllare la posizione dell'indicatore dell'angolo (19). Se necessario, allentare il puntatore con un cacciavite a stella, spostarlo sulla posizione 0° sulla scala graduata per l'angolo di taglio inclinato (20) e serrare nuovamente la vite di fissaggio.

#### Regolazione fine dell'angolo di taglio inclinato di 45° (Figg. R e T)

1. Regolare l'angolo di taglio obliquo e l'angolo di taglio inclinato su 45°.

2. Abbassare l'impugnatura (2) e fissarla con la manopola di bloccaggio della posizione (38).
3. Bloccare il movimento di scorrimento utilizzando il bullone di bloccaggio di guide di scorrimento (29).
4. Impostare un calibro per angoli su 90° e posizionarlo sul banco (11), come illustrato nella figura T. La gamba del calibro per angoli deve essere a filo con la lama (6) per tutta la sua lunghezza.
5. Allentare il controdado per l'angolo di taglio inclinato a 45° (49).
6. Regolare la vite di arresto per l'angolo di taglio inclinato a 45° (31) finché la gamba del calibro per angoli non sarà a filo con la lama per tutta la sua lunghezza;
7. Stringere nuovamente il controdado per l'angolo di taglio inclinato a 45° (49).

Successivamente controllare la posizione dell'indicatore dell'angolo (19). Se necessario, allentare il puntatore con un cacciavite a stella, spostarlo sulla posizione 45° sulla scala graduata per l'angolo di taglio inclinato (20) e serrare nuovamente la vite di fissaggio.

#### Regolazione fine dell'angolo di taglio obliquo a 0° (Figg. U e V)

1. Regolare un calibro per angoli su 0° sul banco (11) e posizionarlo tra il guidapezzo (9) e la lama (6).
2. La gamba del calibro per angoli deve essere a filo con la lama (6) per tutta la sua lunghezza.
3. Allentare tutti e quattro i bulloni di fissaggio del guidapezzo (51) e regolare il guidapezzo (9) finché la gamba del calibro per angoli sarà a filo con la lama per tutta la sua lunghezza.
4. Stringere di nuovo tutti e quattro i bulloni di fissaggio del guidapezzo (51). Successivamente controllare la posizione dell'indicatore dell'angolo (17). Se necessario, allentare il puntatore con un cacciavite a stella,, posizionarlo su 0° sulla scala graduata per angolo di taglio obliquo (16) e serrare nuovamente la vite di fissaggio.

## 5. MANUTENZIONE



*Prima di eseguire qualsiasi operazione di pulizia e intervento di manutenzione spegnere sempre l'elettrotensile e rimuovere la batteria dall'elettrotensile.*

Pulire regolarmente il corpo dell'elettrotensile con un panno morbido, preferibilmente dopo ogni uso. Assicurarsi che le prese d'aria siano libere da polvere e sporcizia. Rimuovere lo sporco particolarmente ostinato con un panno morbido inumidito con acqua e sapone. Non utilizzare solventi come benzina, alcol, ammoniaca, ecc. Le sostanze chimiche di questo tipo danneggiano i componenti sintetici.

#### **Pulizia delle protezioni**

Prima di utilizzare la macchina, controllare sempre che non vi siano detriti sulla protezione (4) e sulla protezione retraibile (5). Rimuovere la vecchia segatura e le schegge con un pennello o uno strumento simile.

#### **Sostituzione dell'inserito del banco**



*Sostituire immediatamente gli inserti del banco danneggiati.*

Con un inserto del banco danneggiato (13) vi è il rischio che piccole parti si incastrino tra l'inserto del banco e la lama, bloccando quest'ultima. Per sostituire l'inserto del banco:

1. Rimuovere le viti dell'inserto del banco con un cacciavite a stella. Se necessario, regolare l'angolo di taglio obliquo e l'angolo di taglio inclinato per accedere a queste viti.
2. Rimuovere l'inserto del banco.
3. Installare un inserto del banco nuovo.
4. Stringere le viti con un cacciavite a stella.

#### **Guide di scorrimento**

La sporcizia può danneggiare le guide di scorrimento (25) e di conseguenza il funzionamento della macchina.

- Pulire regolarmente le guide di scorrimento con un panno morbido.
- Fare cadere qualche goccia di olio lubrificante sulle guide di scorrimento.
- Spostare la troncatrice avanti e indietro in modo che l'olio si distribuisca sulle guide per tutta la lunghezza.

## RISPETTO AMBIENTALE



*Se si prevede che la macchina non verrà usata per molto tempo si consiglia di conservare le batterie cariche.*

**Solo per i Paesi CE**

Non smaltire gli elettrodomestici insieme ai rifiuti domestici. Secondo la Direttiva europea 2012/19/EC sui rifiuti delle apparecchiature elettriche ed elettroniche e relativa implementazione nelle normative locali, gli elettrodomestici ormai inutilizzabili devono essere raccolti separatamente e smaltiti in modo ecologico.

**DEFINIZIONI DELLA GARANZIA**

I prodotti VONROC sono sviluppati secondo i più elevati standard di qualità e viene garantita l'assenza di difetti nei materiali e nella manodopera per il periodo contrattuale a partire dalla data di acquisto originale. Qualora il prodotto dovesse subire un guasto qualsiasi durante questo periodo a causa di difetti nei materiali e/o nella manodopera, si prega di contattare direttamente il VONROC.

Le seguenti circostanze sono escluse da questa garanzia:

- Riparazioni e/o modifiche alla macchina sono state eseguite o tentate da centri di assistenza non autorizzati.
- Normale usura.
- L'utensile è stato abusato, utilizzato o manutenu- to in modo improprio.
- Sono state utilizzate parti di ricambio non origi- nali.

Ciò costituisce l'unica garanzia espressa o implicita fornita dall'azienda. Non esistono altre garanzie es- presse o implicite che si estendono oltre il presente documento, ivi comprese le garanzie im plicite di commerciabilità e idoneità per uno scopo particola- re. In nessun caso VONROC sarà responsabile di eventuali danni incidentali o consequenziali. I rime- di dei rivenditori saranno limitati alla riparazione o sostituzione di unità o parti non conformi.

**Il prodotto e il manuale per l'utente sono soggetti a modifiche. I dati tecnici possono essere modificati senza ulteriore notifica.**

**1. ISTRUKCIJE BEZPIECZEŃSTWA**

Należy zapoznać się z ostrzeżeniami dotyczący- mi bezpieczeństwa, dodatkowymi ostrzeżeniami i instrukcjami. Niestosowanie się do ostrzeżeń dotyczących bezpieczeństwa może zakończyć się porażeniem przez prąd, pożarem i/lub poważnymi obrażeniami ciała. Ostrzeżenia dotyczące bezpie- czeństwa oraz instrukcję należy przechowywać w dostępnym miejscu.

W podręczniku użytkownika urządzenia lub na urzą- dzeniu umieszczono następujące symbole:



*Przeczytać instrukcję obsługi.*



*W razie nie przestrzegania danej instrukcji obsługi może powstać ryzyko zranienia oraz zginiecia personelu lub uszkodzenia narzędzia.*



*Ryzyko porażenia prądem.*



*Nie dopuszczać innych osób.*



*Nosić ochronę przeciwpyłową.*



*Nosić okulary ochronne oraz ochraniać uszy.*



*Nie zbliżaj ręk do obszaru cięcia uruchomio- nego elektronarzędzia. Dotknięcie tarczy może prowadzić do obrażeń ciała.*



*Obszar niebezpieczny! Nie zbliżaj ręk, palców ani ramion do tego obszaru*



*Transportować narzędzie wyłącznie złożone do środka do pozycji transportowej.*



*Maszyna klasy II - Podwójna izolacja - Nie trzeba stosować wtyczek z uziemieniem.*



*Urządzenie jest zgodne z odpowiednimi normami bezpieczeństwa zawartymi w dyrektywach europejskich.*



Regulowana przegroda musi być wysunięta na zewnątrz podczas cięcia ukosowego/skośniego.



Uwzględnij wymiary ostrza tnącego. Średnica otworu musi pasować do wrzeciona narzędzia bez luzu. Jeśli konieczne jest użycie wkładek redukujących, dopilnować, aby wymiary wkładki były odpowiednie dla grubości tarczy i średnicy otworu pilarki oraz średnicy wrzeciona narzędzia. Kiedy to możliwe, używać wkładek redukujących dołączonych do pilarki. Średnica tarczy pilarki musi być zgodna z informacjami podanymi na symbolu.

## OGÓLNE ZALECENIA DOTYCZĄCE BEZPIECZEŃSTWA



**UWAGA! Przeczytać wszystkie ostrzeżenia dotyczące bezpieczeństwa i wszystkie instrukcje.** Nieprzestrzeganie wszystkich poniższych instrukcji może być przyczyną porażenia prądem, pożaru i/lub poważnych obrażeń.

### Zachowaj poniższe instrukcje.

Termin „elektronarzędzia akumulatorowe” we wszystkich ostrzeżeniach zamieszczonych poniżej odnosi się do elektronarzędzi akumulatorowych zasilanych sieciowo (przewodowych) lub elektronarzędzi akumulatorowych działających na baterie (beprzewodowych).

#### 1) Obszar roboczy

- Obszar roboczy należy utrzymywać w czystości.** Powinien on być dobrze oświetlony. Nieład i złe oświetlenie mogą z łatwością doprowadzić do wypadku.
- Nie korzystaj z elektronarzędzi akumulatorowych w warunkach, w których łatwo może dojść do wybuchu, np. w obecności łatwopalnych cieczy, gazów lub pyłu.** Podczas pracy elektronarzędzi akumulatorowych powstają iskry, które mogą doprowadzić do zapłonu pyłu lub oparów.

- Dzieci i inne osoby postronne powinny pozostać w bezpiecznej odległości od pracującego urządzenia.** Rozproszenie uwagi może spowodować utratę kontroli nad urządzeniem.

#### 2) Bezpieczeństwo związane z elektrycznością

- Wtyczki elektronarzędzi akumulatorowych muszą być odpowiednie do danego gniazda. Pod żadnym pozorem nie należy modyfikować wtyczki w jakikolwiek sposób. Nie należy używać adapterów, które uziemiają elektronarzędzia akumulatorowe.** Stosowanie wtyczek nie poddanych modyfikacjom oraz odpowiednich gniazd zmniejsza ryzyko porażenia prądem.
- Należy unikać bezpośredniego kontaktu fizycznego z powierzchniami uziemionymi, takimi jak rury, grzejniki, kuchenki, lodówki.** Ryzyko porażenia prądem jest większe, jeśli ciało osoby obsługującej urządzenie jest uziemione.
- Nie należy wystawiać elektronarzędzi akumulatorowych na działanie deszczu lub wilgoci.** Dostanie się wody do wnętrza elektronarzędzia akumulatorowego zwiększy ryzyko porażenia prądem.
- Nie należy używać przewodu w niewłaściwy sposób. Pod żadnym pozorem nie należy wykorzystywać przewodu do przenoszenia lub ciągnięcia elektronarzędzia akumulatorowego, ani do jego odłączania od sieci. Przewodu nie należy wystawiać na działanie ciepła, smarów. Powinien on znajdować się w bezpiecznej odległości od ostrych krawędzi i części ruchomych. Przewody uszkodzone lub poplątane zwiększają ryzyko porażenia prądem.**
- Podczas korzystania z elektronarzędzia akumulatorowego na wolnym powietrzu, należy używać przewodu przedłużacza przystosowanego do użytku na zewnątrz.** Używanie przewodu nadającego się do użytku na wolnym powietrzu zmniejsza ryzyko porażenia prądem.
- Jeśli obsługa elektronarzędzia w wilgotnym miejscu jest nieunikniona, użyć zasilania wyposażonego w wyłącznik różnicowo-prądowy.** Użycie wyłącznika różnicowo-prądowego zmniejsza ryzyko porażenia prądem.

#### 3) Bezpieczeństwo osoby obsługującej urządzenie

- Przez cały czas należy mieć się na baczności, uważać na to, co się robi, a w czasie obsługi elektronarzędzia akumulatorowego postępować mając na uwadze zdrowy rozsądek.**



- Urządzenia nie powinny obsługiwać osoby zmęczone lub będące pod wpływem narkotyków, alkoholu lub leków.** Chwila nieuwagi w czasie obsługi elektronarzędzi akumulatorowych może być przyczyną powstania poważnych obrażeń ciała.
- b) **Należy korzystać ze sprzętu ochronnego oraz zawsze nosić okulary ochronne.** Sprzęt ochronny, jak na przykład maska przeciwpyłowa, antypoślizgowe obuwie ochronne, kask lub słuchawki ochronne używany we właściwych sytuacjach pozwoli na zmniejszenie ryzyka obrażeń ciała.
  - c) **Unikać niezamierzonego uruchomienia. Przed podłączeniem urządzenia do sieci, zawsze sprawdzić, czy przełącznik znajduje się w pozycji „wyłączony”.** Przenoszenie elektronarzędzi z palcem na przełączniku lub włączonych elektronarzędzi z przełącznikiem w położeniu włączenia jest bardzo niebezpieczne i może powodować wypadki.
  - d) **Przed włączeniem elektronarzędzia akumulatorowego należy usunąć z niego wszystkie klucze nastawcze lub maszynowe.** Pozostawienie klucza zamocowanego na jednej z części obrotowych urządzenia może spowodować powstanie obrażeń ciała.
  - e) **Nie należy sięgać ponad urządzeniem. Przez cały czas należy zachować odpowiednią równowagę i zapewnić odpowiednie oparcie dla stóp.** Pozwoli to na lepsze kontrolowanie urządzenia w nieoczekiwanych sytuacjach.
  - f) **Należy nosić odpowiednie ubranie. Do pracy z urządzeniem nie wkładać luźnych ubrań ani biżuterii. Włosy, ubranie i rękawiczki trzymać z dala od części ruchomych.** Luźne części ubrania, biżuteria lub długie włosy mogą zostać wciągnięte przez części ruchome.
  - g) **Jeśli w urządzeniu przewidziano elementy służące do odprowadzania i zbierania pyłu, należy sprawdzić, czy są podłączone, i czy działają we właściwy sposób.** Korzystanie z tego typu elementów pozwala ograniczyć ryzyko związane z wydzielaniem pyłu podczas pracy urządzenia.
  - h) **Nie zezwalać na to, aby rutyna związana z częstym korzystaniem z narzędzi powodowała nadmierną pewność siebie i ignorowanie zasad bezpiecznego korzystania z narzędzi.** Nieodpowiedzialne działanie może spowodować poważne obrażenia ciała w ułamku sekundy.
- 4) **Obsługa i konserwacja elektronarzędzi akumulatorowych**
    - a) **Urządzenia nie należy przeciążać. Należy korzystać z narzędzia odpowiedniego do danego typu pracy.** Odpowiednio dobrane urządzenie pozwoli na lepsze i bezpieczniejsze wykonanie pracy, we właściwym dla urządzenia tempie.
    - b) **Z elektronarzędzia akumulatorowego nie należy korzystać, jeśli nie można go włączyć i wyłączyć przy pomocy przełącznika.** Urządzenie, którego nie można kontrolować używając przełącznika jest niebezpieczne i powinno być oddane do naprawy.
    - c) **Przed przystąpieniem do regulowania elektronarzędzi akumulatorowych, wymiany akcesoriów lub przygotowywania urządzeń do okresu przechowywania, należy odłączyć wtyczkę od źródła zasilania.** Tego typu środki ostrożności zmniejszają ryzyko przypadkowego uruchomienia urządzenia.
    - d) **Nieczynne elektronarzędzia akumulatorowe należy przechowywać poza zasięgiem dzieci. Nie należy pozwolić, aby osoby nie znające urządzenia lub niniejszych instrukcji obsługiwały urządzenie.** Elektronarzędzia akumulatorowe w rękach niekompetentnych użytkowników stanowią zagrożenie.
    - e) **Elektronarzędzia akumulatorowe należy utrzymywać w dobrym stanie technicznym. Należy sprawdzać, czy części ruchome są właściwie założone, i czy się nie zacinają. Należy również sprawdzać, czy jakieś części nie są uszkodzone oraz sprawdzać wszelkie inne elementy, które mogą wpłynąć na pracę urządzeń. Jeśli urządzenie jest uszkodzone, przed przystąpieniem do jego użytkowania, należy je naprawić.** Częstą przyczyną wypadków jest zły stan techniczny urządzeń.
    - f) **Narzędzia służące do cięcia powinny być naostrzone i utrzymywane w czystości.** Jeśli narzędzia służące do cięcia, które posiadają ostre krawędzie tnące, są właściwie konserwowane, istnieje mniejsze prawdopodobieństwo ich zacinania się. Ponadto, łatwiej je kontrolować.
    - g) **Elektronarzędzia akumulatorowego, akcesoriów, nakładek, itp. należy używać zgodnie z niniejszymi instrukcjami oraz w sposób właściwy dla danego rodzaju urządzenia, z uwzględnieniem warunków pracy oraz jej rodzaju.** Używanie urządzenia niezgodnie z przeznaczeniem może prowadzić do powstania sytuacji niebezpiecznych.

- h) **Uchwyty należy utrzymywać w stanie suchym, czystym i niezabrudzonym olejem lub smarem.** Śliskie uchwyty i powierzchniowo do chwytania nie pozwalają na bezpieczne obchodzenie się z narzędziem i panowanie nad nim w nieoczekiwanych sytuacjach.
- 5) **Użytkowanie i konserwacja urządzenia zasilanego akumulatorkami**
- a) **Ładować tylko przy użyciu ładowarki określonej przez producenta.** Ładowarka przewidziana dla jednego rodzaju akumulatorków stwarza ryzyko pożaru w przypadku użycia jej z innym zestawem akumulatorków.
- b) **Należy używać jedynie akumulatorków przeznaczonych dla danego urządzenia.** Użycie innych akumulatorków stwarza ryzyko wystąpienia obrażeń ciała lub pożaru.
- c) **Kiedy akumulatorki nie są używane, należy przechowywać je z dala od przedmiotów metalowych, takich jak spinacze do papieru, monety, klucze, gwoździe, śruby lub inne niewielkie przedmioty metalowe, które mogłyby spowodować zwarcie pomiędzy stykami.** Zwarcie styków akumulatorka może spowodować pożar.
- d) **W przypadku przecięcia z akumulatorka może wycieknąć płyn; nie należy go dotykać. W razie przypadkowego kontaktu przemyć skórę wodą. W przypadku dostania się płynu do oczu należy skontaktować się z lekarzem.** Płyn z akumulatorka może powodować podrażnienia lub oparzenia.
- e) **Nie używać uszkodzonego ani zmodyfikowanego akumulatorka lub narzędzia.** Uszkodzone lub zmodyfikowane akumulatorki mogą działać w sposób nieoczekiwany, co może powodować pożar, wybuch lub ryzyko obrażeń ciała.
- f) **Nie wystawiać akumulatorka ani narzędzia na działanie płomienia lub zbyt wysokiej temperatury.** Narażenie na działanie płomienia lub temperatury powyżej 130°C może spowodować wybuch.  
UWAGA Temperaturę „130 °C“ można zastąpić temperaturą „265 °F“.
- g) **Przestrzegać wszystkich instrukcji ładowania i nie ładować akumulatorka ani narzędzia poza zakresem temperatury podanym w instrukcji.** Nieprawidłowe ładowanie lub ładowanie w temperaturze poza podanym zakresem może spowodować uszkodzenie akumulatorka i zwiększyć ryzyko pożaru.

- 6) **Serwis**
- a) **Zlecać serwisowanie elektronarzędzie wykwalifikowanemu technikowi stosującymi jedynie części zamienne identyczne z oryginalnymi.** Zapewni to zachowanie bezpieczeństwa elektronarzędzia.
- b) **Nigdy nie serwisować uszkodzonych akumulatorów.** Serwisowanie akumulatorów może przeprowadzać wyłącznie producent lub autoryzowany serwis.

## SZCZEGÓŁOWE INSTRUKCJE BEZPIECZEŃSTWA

- **Pilarki ukosowe są przeznaczone do przecinania drewna lub produktów drewnopodobnych i nie można ich używać ze ściernymi tarczami do odcinania do cięcia materiałów żelaznych, jak metalowe pręty, bolce, listwy, teowniki itp.** Ścierny pył powoduje zacinanie się części ruchomych, takich jak osłona dolna. Iskry z cięcia ściernego spowodują przypalenie dolnej osłony, wkładki rzazu i innych części z tworzyw sztucznych.
- **Używać zacisków do mocowania obrabianego elementu, kiedykolwiek to możliwe. W przypadku podpierania obrabianego elementu ręką, trzymać dłoń zawsze w odległości co najmniej 100 mm od boku tarczy pilarki. Nie używać tej pilarki do przecinania elementów zbyt małych do bezpiecznego zaciśnięcia lub przytrzymywania ręką.** Jeśli dłoń znajdzie się za blisko tarczy pilarki, istnieje zwiększone ryzyko obrażeń ciała w wyniku styczności z tarczą.
- **Obrabiany element musi być unieruchomiony i zaciśnięty lub przytrzymany do przegrody i blatu. Nie wprowadzać obrabianego elementu w tarczę ani nie ciąć w żaden sposób „w powietrzu”.** Niezamocowany lub niezamocowany obrabiany element może zostać wyrzucony w powietrze z wysoką prędkością i spowodować obrażenia ciała.
- **Przepychać pilarkę przez obrabiany element. Nie ciągnąć pilarki przez obrabiany element. Aby wykonać cięcie, unieść głowicę pilarki i przełożyć ją nad obrabiany elementem bez cięcia, uruchomić silnik, nacisnąć głowicę pilarki w dół i przepchnąć pilarkę przez obrabiany element.** Cięcie podczas ciągnięcia może spowodować wspięcie się tarczy pilarki na powierzchnię obrabianego elementu i gwałtowne odrzucenie zespołu tarczy w stronę operatora.

- **Nigdy nie krzyżować dłoni nad przewidywaną linią cięcia przed lub za tarczą pilarki.** Podpieranie obrabianego elementu „na krzyż”, tzn. trzymanie obrabianego elementu po prawej stronie tarczy lewą ręką i vice versa jest bardzo niebezpieczne.
- **Nie sięgać poza przegrodę żadną ręką na odległość mniejszą niż 100 mm od boku tarczy w celu usunięcia wiórów lub z innego powodu, gdy tarcza się obraca.** Fakt, że wirująca tarcza znajduje się blisko dłoni, może nie być oczywisty, co może prowadzić do poważnych obrażeń ciała.
- **Sprawdzić obrabiany element przed rozpoczęciem cięcia. Jeśli obrabiany element jest wygięty w łuk lub wykrzywiony, zacisnąć go stroną wygiętą (grzbietem łuku) w stronę przegrody. Zawsze dopilnować, aby między obrabianym elementem, przegrodą i blatem wzdłuż linii cięcia nie występowały żadne szczeliny.** Zgięte lub wypaczone obrabiane elementy mogą się skręcać lub przesuwać, co może powodować utykanie wirującej tarczy podczas cięcia. W obrabianym elemencie nie mogą znajdować się żadne gwoździe ani inne ciała obce.
- **Nie używać pilarki do czasu oczyszczenia blatu z wszystkich narzędzi, wiórów itp. Na blacie może znajdować się wyłącznik obrabiany przedmiot.** Drobne resztki lub luźne kawałki drewna albo inne przedmioty stykające się z wirującą tarczą mogą zostać odrzucone z wysoką prędkością.
- **Ciąć tylko jeden obrabiany element naraz.** Obrabianych elementów ustawionych jeden na drugim nie można prawidłowo zacisnąć ani podeprzeć i mogą one blokować tarczę lub przesuwać się podczas pracy.
- **Przed użyciem dopilnować, aby pilarka została zamontowana lub ustawiona na poziomej i wytrzymałej powierzchni roboczej.** Pozioma i solidna powierzchnia robocza ogranicza ryzyko utraty stabilności pilarki ukosowej.
- **Zaplanować pracę. Po każdej zmianie ustawienia kąta cięcia ukosowego lub skośnego sprawdzić, czy regulowana przegroda jest ustawiona prawidłowo, tak aby podparła obrabiany element i nie kolidowała z tarczą lub układem osłon.** Nie włączając jeszcze narzędzia i nie umieszczając obrabianego elementu na blacie, wykonać pełen symulowany przebieg pilarką, aby upewnić się, że żadne elementy ze sobą nie kolidują i nie ma ryzyka przecięcia przegrody.
- **Zapewnić odpowiednie podparcie, jak przedłużenia blatu, koźły itp. w przypadku obrabianych elementów szerszych lub dłuższych od blatu.** Obrabiane elementy dłuższe lub szersze od blatu pilarki mogą się przechylić, jeśli nie będą prawidłowo podparte. Jeśli odcinany element lub obrabiany element się przechyli, może to spowodować podniesienie osłony dolnej lub wyrzucenie tego elementu przez wirującą tarczę.
- **Nie korzystać z pomocy innej osoby zamiast przedłużenia blatu lub dodatkowego podparcia.** Niestabilne podparcie obrabianego elementu może spowodować utykanie tarczy lub przesuwanie się obrabianego elementu podczas cięcia, wciągając operatora i pomocnika w wirującą tarczę.
- **Odcinany element nie może zostać zablokowany ani dociśnięty w żaden sposób do wirującej tarczy.** Zablokowanie, np. blokadami przedłużenia, odcinanego elementu może spowodować jego utknięcie i oparcie o tarczę oraz jego gwałtowne odrzucenie.
- **Zawsze używać zacisku lub mocowania przeznaczonego do prawidłowego podpierania materiałów okrągłych, jak pręty lub rury.** Pręty zwykle toczą się podczas przecinania, przez co tarcza się na nie „wspina”, wciągając obrabiany element wraz z ręką operatora w tarczę.
- **Pozwolić tarczy osiągnąć maksymalną prędkość przed przyłożeniem do obrabianego elementu.** Ograniczy to ryzyko odrzucenia obrabianego elementu.
- **Jeśli dojdzie do utknięcia obrabianego elementu lub tarczy, wyłączyć pilarkę ukosową. Poczekać na zatrzymanie się wszystkich ruchomych części i odłączyć wtyczkę z gniazdka zasilania i/lub wyjąć akumulator. Następnie uwolnić zablokowany materiał.** Dalsze cięcie z zablokowanym obrabianym elementem może spowodować utratę panowania nad narzędziem lub jego uszkodzenie.
- **Po zakończeniu cięcia zwolnić włącznik, trzymać głowicę pilarki w dolnym położeniu i poczekać na zatrzymanie się tarczy przed wyjęciem odciętego elementu.** Sięganie dłonią w pobliże poruszającej się z rozpędu tarczy jest niebezpieczne.
- **Trzymać mocno uchwyt podczas wykonywania cięcia częściowego lub w przypadku zwalniania włącznika przed przestawieniem głowicy pilarki całkowicie w położenie dolne.** Hamowanie pilarki może spowodować nagłe pociągnięcie głowicy pilarki w dół, powodując ryzyko obrażeń ciała.

- **Utrzymywać miejsce pracy w czystości.** Kombinacje materiałów są szczególnie niebezpieczne. Lekki pył z obróbki metalu może się zapalić lub wybuchnąć.
- **Nie używać tępych, pękniętych, zgiętych lub uszkodzonych tarcz pilarki. Niенаostrzone lub źle ustawione tarcze wytwarzają wąski rżaz i generują nadmierne tarcie, utykanie tarczy i odrzut.**
- **Nie używać tarcz pilarki wykonanych ze stali szybko tnącej (HSS).** Takie tarcze łatwo pękają.
- **Zawsze używać tarcz pilarki o właściwych wymiarach i o właściwych kształcie (trapezowym, a nie okrągłym) otworów w tarczy.** Tarcze niezgodne z osprzętem mocującym pilarki będą poruszać się mimośrodowo, powodując utratę panowania nad narzędziem.
- **Nie zastępować wbudowanego lasera laserem innego typu.** Laser niezgodny z tym elektronarzędziem może powodować zagrożenie dla osób.
- **Nigdy nie usuwać wiórów, odciętych elementów itp. z obszaru cięcia, gdy elektronarzędzie pracuje.** Zawsze najpierw przestawić ramię narzędzia z powrotem w położenie neutralne i wyłączyć elektronarzędzie.
- **Nie dotykać tarczy pilarki po pracy, zanim tarcza nie ostygnie.** Tarcza bardzo silnie się nagrzewa podczas pracy.
- **Nigdy nie ograniczać czytelności oznaczeń ostrzegawczych na narzędziu.**
- **Jeśli wiązka lasera trafi w oko, zamknąć oczy i niezwłocznie odwrócić twarz od wiązki.**
- **Nie patrzeć na źródło promieniowania przez jakiegokolwiek przyrządy optyczne, jak lornetka.** Może to spowodować uszkodzenie wzroku.
- **Nie kierować wiązki lasera na osoby patrzące przez lornetkę lub podobny przyrząd.** Może to spowodować uszkodzenie ich wzroku.
- **Nie modyfikować osprzętu laserowego w żaden sposób.** Opcji ustawień opisanych w tej instrukcji można bezpiecznie używać.
- **Nie stawać w jednej linii z tarczą przed elektronarzędziem.** Zawsze stawać z boku tarczy pilarki. Pozwoli to chronić ciało przed rezultata-ami ewentualnego odrzutu.
- **Trzymać dłoń, palec i ramiona z dala od obracającej się tarczy.**
- **Nie krzyżować rąk przed ramieniem narzędzia.**
- **Unikać przegrzewania zębów pilarki. Kiedy zęby pilarki się przegrzeją, zatrzymać narzędzie.** Pozwolić tarczy pilarki ostygnąć przed ponownym użyciem narzędzia.
- **Niezwłocznie wymieniać uszkodzone lub zużyte tarcze.**
- **Używać wyłącznie tarcz zgodnych z parametrami podanymi w tej instrukcji obsługi i przetestowanych oraz oznaczonych zgodnie z EN 847-1.**
- **Podczas cięcia zakrzywionych lub okrągłych elementów należy je specjalnie zamocować i zabezpieczyć przed ślizganiem się. W linii cięcia nie mogą być żadne odstępki między obrabianym elementem a przegrodą i białem pilarki.** W razie potrzeby należy wykonać specjalne mocowania.

### Bezpieczeństwo elektryczne



*Zawsze sprawdzać, czy napięcie zasilania jest zgodne z napięciem podanym na tabliczce znamionowej.*

- Nie używać urządzenia, jeśli jego kabel zasilający jest uszkodzony lub wtyczka kabla zasilającego jest uszkodzona.
- Używać wyłącznie przedłużaczy przystosowanych do pracy z parametrami zasilania urządzenia o minimalnej grubości 1,5 mm<sup>2</sup>. W przypadku korzystania z przedłużacza w zwoju, zawsze całkowicie rozwinąć zwój.

## 2. INFORMACJE O MASZYNI

### Przeznaczenie

To elektronarzędzie jest przeznaczone do pracy jako maszyna nieruchoma wykonująca proste wzdłużne i poprzeczne cięcia w drewnie w kierunku zgodnym z jego włóknami i przeciwnym do jego włókien. Można wykonywać cięcia ukosowe pod kątem od -45° do +45° i cięcia skośne pod kątem od -0° do +45°. Elektronarzędzie z zamocowaną tarczą ma wystarczającą moc do cięcia drewna twardego i miękkiego oraz płyt wiórowych i pilśniowych. Tarcza nie jest przeznaczona do cięcia drewna opałowego. Nie używać pilarki do cięcia materiałów innych niż podane w instrukcji.

**DANE TECHNICZNE**

Nr modelu	MS502AC
Napięcie w sieci	230-240V ~
Częstotliwość w sieci	50 Hz
Pobór mocy	2000W
Prędkość bez obciążenia	4500/min
Kąt nachylenia	-45° <> +45°
Kąty skosu	-45° <> 0° ° w lewo, jeden kąt cięcia ukosowego
Dane techniczne tarczy:	
Średnica	Ø 254 mm
Grubość tarczy	1.6 mm
Szerokość cięcia	2.8 mm
Średnica otworu	Ø 30 mm
Liczba zębów	60T
Wymiary cięcia (wysokość x szerokość):	
Cięcie ukosowe 0° - Cięcie skośne 0°	90 x 340 mm
Cięcie ukosowe 0° - Cięcie skośne 45°	45 x 340 mm
Cięcie ukosowe 45° - Cięcie skośne 0°	90 x 240 mm
Cięcie ukosowe 45° - Cięcie skośne 45	45 x 240 mm
Minimalne wymiary obrabianego elementu	3 x 10 mm
Dane techniczne lasera:	
Klasa	2
Długość fali	650 nm
Moc	< 1 mW
Masa	14.3 kg
Lpa (Ciśnienie dźwięku)	97.2 +3 dB(A)
Lwa (Moc akustyczna)	110.2 +3 dB(A)
Wibracje	<2.5 m/s <sup>2</sup>

**Poziom drgań**

Poziom emisji drgań podany w tej instrukcji obsługi został zmierzony zgodnie ze standaryzowanym testem podanym w normie EN 60745; może on służyć do porównywania narzędzi ze sobą oraz do wstępnego oszacowania ekspozycji na drgania podczas użytkowania narzędzia do podanych zastosowań

- używanie narzędzia do innych zastosowań lub z innymi lub źle konserwowanymi akcesoriami może znacząco zwiększać poziom ekspozycji

- okresy, gdy narzędzie jest wyłączone lub okresy, gdy jest włączone, ale nie pracuje, mogą znacząco zmniejszać poziom ekspozycji

Chronić się przed wpływem drgań, konserwując odpowiednio narzędzie i akcesoria, utrzymując ciepłotę dłoni oraz odpowiednio organizując pracę.

**OPIS**

Liczby w tekście odnoszą się do rysunków na stronach 2-6.

1. Przycisk uruchamiania blokady
2. Uchwyt
3. Przełącznik wł./wył.
4. Osłona ochronna
5. Chowana osłona ochronna
6. Tarcza
7. Regulowana przegroda
8. Ogranicznik długości
9. Przegroda
10. Przedłużenie blatu
11. Błat
12. Otwory montażowe
13. Płytki rzazu
14. Pokrętko regulacji cięcia ukosowego
15. Dźwignia regulacji cięcia ukosowego
16. Podziałka kąta cięcia ukosowego
17. Wskazówka kąta cięcia ukosowego
18. Laser
19. Wskazówka kąta cięcia skośnego
20. Podziałka kąta cięcia skośnego
21. Zacisk obrabianego przedmiotu
22. Pokrętko regulacji cięcia skośnego
23. Wałek
24. Śruba regulacji głębokości
25. Szyny do przesuwania
26. Torba na pył
27. Rączka do przenoszenia
28. Wylot pyłu
29. Śruba mocująca szyn do przesuwania
30. Ogranicznik przechyłania wstecz
31. Śruba ograniczająca kąt cięcia skośnego 45°
32. Śruba ograniczająca kąt cięcia skośnego 0°
33. Śruba zabezpieczająca zacisku obrabianego przedmiotu
34. Śruba zabezpieczająca przedłużenia blatu
35. Śruba zabezpieczająca regulowanej przegrody
36. Śruba regulacyjna przegrody
37. Ogranicznik przechyłania naprzód
38. Pokrętko blokady położenia

- 39. Śruba dociskowa
- 40. Śruba ustalająca
- 41. Kołnierz zaciskający
- 42. Śruba zaciskająca
- 43. Blokada wrzecziona
- 44. Pokrętko zacisku obrabianego przedmiotu
- 45. Nakrętka radełkowana do regulacji głębokości
- 46. Oświetlenie robocze LED
- 47. Śruby pokrywy lasera
- 48. Śruby do regulacji lasera
- 49. Nakrętka zabezpieczająca kąta cięcia skośnego 45°
- 50. Nakrętka zabezpieczająca kąta cięcia skośnego 0°
- 51. Śruby przegrody

### 3. MONTAŻ



Przed montażem należy zawsze wyłączyć urządzenie i odłączyć od sieci zasilającej.

#### Odblokowanie pozycji roboczej (pozycja robocza)

1. Wcisnąć uchwyt (2) lekko w dół;
2. Pociągnąć pokrętko blokady położenia (38) całkowicie na zewnątrz i zablokować je w miejscu, obracając nim;
3. Powoli przestawić uchwyt (2) do góry.

#### Zablokowanie w pozycji transportowej (pozycja transportowa)

Przed zablokowaniem w pozycji transportowej, dopilnować, aby śruba regulacji głębokości (24) została ustawiona na nieograniczoną głębokość. Dzięki temu uchwyt (2) można przestawić do końca w dół bez dotykania ogranicznika głębokości. Poza tym usunąć wszystkie akcesoria, których nie można pewnie przymocować do narzędzia.

1. Poluzować śrubę mocującą szyn do przesuwania (29), jeśli jest dokręcona;
2. Pociągnąć uchwyt (2) naprzód do siebie i dokręcić śrubę mocującą szyn do przesuwania (29);
3. Wcisnąć uchwyt (2) do końca w dół;
4. Zablokować pokrętko blokady położenia (38), najpierw je pociągając, a potem nim obracając;
5. Zwinąć kabel zasilający do góry i związać go dołączonym do zestawu paskiem kabla.

Po zablokowaniu w pozycji transportowej, użyć rączki do przenoszenia (27) do bezpiecznego przenoszenia i transportowania maszyny.



Do przenoszenia używać wyłącznie rączki do przenoszenia i w tym celu nigdy nie używać osłon ochronnych.

#### **Instalacja narzędzia jako narzędzia stacjonarnego (Rys. A, B, D)**

Aby zapewnić bezpieczną obsługę, elektronarzędzie musi być zamontowane na płaskiej i stabilnej powierzchni roboczej (np. stole warsztatowym) przed użyciem. Maszynę można zainstalować na trzy sposoby:

##### 1. Na blacie roboczym

W tym przypadku maszynę należy przymocować do blatu roboczego odpowiednimi wkrętami/śrubami. Użyć w tym celu czterech otworów (12). Zgodnie z Rys. D.

##### 2. Na ramie dolnej



Przeczytać wszystkie ostrzeżenia i instrukcje dołączone do stojaka pilarki. Nieprzestrzeganie ostrzeżeń oraz instrukcji może prowadzić do porażenia prądem, pożaru i/lub poważnych obrażeń ciała.



Prawidłowo zmontować stojak pilarki przed zamontowaniem na nim elektronarzędzia. Prawidłowy montaż jest ważny i pomaga ograniczać ryzyko przewrócenia się narzędzia.

W tym przypadku maszynę należy przymocować do ramy dolnej śrubami. Użyć w tym celu czterech otworów (12). Rama dolna musi zostać przymocowana 4 śrubami do płyty podłogowej o powierzchni co najmniej 1 metra kwadratowego. Zamocować elektronarzędzie na stojaku pilarki w pozycji transportowej.

##### 3. Elastyczna instalacja



Producent nie zaleca instalacji tego typu.

Jeśli, w wyjątkowych okolicznościach, zamontowanie elektronarzędzia na płaskiej i stabilnej powierzchni roboczej jest niemożliwe, można improwizować, wykorzystując ograniczniki przechylenia.



Bez ogranicznika przechylenia elektronarzędzie będzie niestabilne i może się przechylać, szczególnie podczas cięcia pod maksymalnym kątem cięcia ukosowego i/lub skośnego.

- Poluzować śrubę dociskową (39) kluczem imbusowym.  
Wysunąć ogranicznik przechylenia wstecz (30) całkowicie na zewnątrz zgodnie z rysunkami E1 i E2. Następnie dokręcić śrubę dociskową (39).
- Obracać ogranicznik przechylenia naprzód (37) do środka lub na zewnątrz zgodnie z rysunkiem F, aż elektronarzędzie będzie ustawione poziomo na powierzchni roboczej.

### Kontrola osłony ochronnej (Rys. A)

Chowana osłona ochronna (5) chroni przed przypadkową stycznością z tarczą pilarki i wyrzucanymi wiórami. Przed użyciem należy sprawdzić, czy osłona tarczy działa prawidłowo. W tym celu pociągnąć uchwyt (2) w dół i sprawdzić, co następuje:

- Chowana osłona ochronna (5) musi zapewniać dostęp do tarczy pilarki (6) bez dotykania innych części.
- Podczas rozkładania pilarki do góry w położenie początkowe, chowana osłona ochronna (5) musi automatycznie zasłaniać całą tarczę pilarki (6).

### Wymiana tarczy (Rys. G)



*Przed montażem należy zawsze wyłączyć urządzenie i odłączyć od sieci zasilającej.*



*Podczas montażu tarczy nosić rękawice ochronne. Ryzyko obrażeń ciała w wyniku dotknięcia brzościzota.*



*Używać wyłącznie tarcz zgodnych z danymi technicznymi podanymi w instrukcji. Stosuj wyłącznie tarcze z oznaczeniem prędkości równym lub wyższym niż oznaczenie prędkości podanej na maszynie.*



*Pod żadnym pozorem nie używać tarcz ściernych do cięcia.*

Przed wymianą tarczy zaleca się ustawienie kąta cięcia ukosowego i kąta cięcia skośnego na 0°. W przeciwnym razie dostęp może być ograniczony.

### Demontaż tarczy

1. Zablokować tarczę w górnym położeniu za pomocą pokręta blokady położenia (38);
2. Poluzować śrubę ustalającą (40) za pomocą wkrętaka z końcówką krzyżową zgodnie z rysunkiem G1; **OSTRZEŻENIE!** Nie wykręcać całkowicie śruby ustalającej (40), lecz tylko ją poluzować.

3. Złożyć chowaną osłonę ochronną (5) do góry, aż do uzyskania swobodnego do śruby zaciskającej (42) zgodnie z rysunkiem G2;
4. Włożyć klucz imbusowy w śrubę zaciskającą (42). Chowaną osłonę ochronną (5) można zwolnić i złożyć na klucz imbusowy.
5. Obrócić śrubę zaciskającą (42) kluczem imbusowym (34), jednocześnie wciskając blokadę wrzeczona (43), aż zadziała.
6. Mocno trzymać blokadę wrzeczona (43) i poluzować śrubę zaciskającą (42), obracając ją zgodnie ze wskazówkami zegara (gwint lewy).
7. Zdemontować śrubę zaciskającą (42) i kołnierz zaciskający (41). Następnie można zdjąć tarczę (6).

### Montaż tarczy



*Podczas mocowania tarczy pilarki dopilnować, aby kierunek cięcia zębów (strzałka na tarczy) był zgodny ze strzałką na osłonie (4).*



*Podczas mocowania tarczy (6) sprawdzić, czy obraca się ona swobodnie w płycie rzazu (13) przy ustawieniach 0° i 45°.*

1. Oczyszczyć tarczę i wszystkie części zaciskające do zamontowania.
2. Poluzować śrubę ustalającą (40) za pomocą wkrętaka z końcówką krzyżową zgodnie z rysunkiem G1; **OSTRZEŻENIE!** Nie wykręcać całkowicie śruby ustalającej (40), lecz tylko ją poluzować.
3. Złożyć chowaną osłonę ochronną (5) do góry, aż do uzyskania swobodnego dostępu do śruby zaciskającej (42) zgodnie z rysunkiem G2;
4. Włożyć klucz imbusowy w śrubę zaciskającą (42). Chowaną osłonę ochronną (5) można zwolnić i złożyć na klucz imbusowy.
5. Zamontować kołnierz zaciskający (41). Dopilnować, aby płaskie boki kołnierza zaciskającego pasowały do płaskich boków wału tarczy. Dopilnować również, aby wklęsła strona kołnierza zaciskającego była skierowana na zewnątrz.
6. Zamontować śrubę zaciskającą (42) i obracać ją kluczem imbusowym, jednocześnie dociskając blokadę wrzeczona (43), aż zadziała.
7. Mocno trzymać blokadę wrzeczona (43) i dokręcić śrubę zaciskającą (42), obracając ją przeciwnie do wskazówek zegara.

**Odsysanie pyłu (Rys. A, B, W, X)**

Zapewnić dobrą wentylację miejsca pracy.



Nosić ochronę przeciwpyłową.

Pył z materiałów, takich jak farba olejowa i pewne rodzaje drewna, może być szkodliwy dla zdrowia. Wdychanie tego pyłu może powodować reakcje alergiczne i/lub powodować schorzenia układu oddechowego operatora i innych osób w pobliżu. Pewne pyły, jak z drewna dębu lub buku, są uznawane za rakotwórcze, szczególnie w połączeniu ze środkami do obróbki drewna (chromianem stosowanym do konserwacji drewna).



*Bardzo zalecamy zastosowanie systemu odsysania pyłu o parametrach dostosowanych dla danego materiału.*

System odsysania pyłu może zatkać się pyłem, włóknami lub kawałkami obrabianego elementu. Dlatego należy go regularnie czyścić. W tym celu:

1. Odłączyć wtyczkę kabla zasilającego od gniazda sieciowego.
2. Poczekać, aż tarcza całkowicie się zatrzyma.
3. W razie potrzeby usunąć wszelkie zatryby

**Montaż torby na pył (Rys. V)**

Wcisnąć zacisk torby na pył (26) i wsunąć ją na otwór wylotowy pyłu (28) z tyłu narzędzia. Po zwolnieniu zacisku torba pozostanie zamontowana.

**Podłączanie odkurzacza (Rys. X)**

*Odsysacz pyłu musi być przeznaczony do pracy z obrabianym materiałem.*



*W przypadku wsysania pyłu szczególnie szkodliwego dla zdrowia lub rakotwórczego, używać specjalnego odsysacza do pyłu.*

Wąż odkurzacza można podłączyć do wylotu pyłu (28). W tym celu po prostu podłączyć wąż odkurzacza do wylotu pyłu.

**4. OBSŁUGA**

*Przed włączeniem narzędzia zawsze sprawdzać, czy tarcza jest zamontowana poprawnie. Tarcza musi obracać się płynnie.*



*Zawsze sprawdzać osłony ochronne przed użyciem.*



*W przypadku wszystkich typów cięcia należy najpierw dopilnować, aby tarcza nie mogła w żadnym momencie stykać się z przegradą, zaciskiem obrabianego przedmiotu ani innymi częściami narzędzia. Zdemontować wszelkie zamontowane pomocnicze ograniczniki lub prawidłowo je wyregulować*

**Podpieranie obrabianego elementu (Rys. H)**

Obrabiane elementy należy zawsze prawidłowo podpierać.

Przedłużenia blatu (10) można wysunąć w lewo lub w prawo, aby podeprzeć obrabiany element. W tym celu:

1. Poluzować śrubę mocującą przedłużenia blatu (34);
2. Przesunąć przedłużenie blatu (10) w żądane położenie;
3. Dokręcić śrubę mocującą przedłużenia blatu (34).

Podczas cięcia bardzo długich obrabianych elementów, wolny koniec długiego elementu musi być podparty lub oparty o jakiś dodatkowy element.

**Zaciskanie obrabianego elementu (Rys. H)**

Obrabiane elementy należy zawsze prawidłowo mocować zaciskami. Zacisk obrabianego przedmiotu (21) można umieścić po jego lewej lub prawej stronie. W tym celu:

1. Dopilnować, aby obrabiany przedmiot był mocno dociśnięty do przegrody (9);
2. Włożyć dołączony zacisk obrabianego przedmiotu (21) w jeden z otworów przeznaczonych do tego celu zgodnie z rysunkiem H;
3. Dostosować pręt gwintowany zacisku obrabianego przedmiotu (21) do wysokości obrabianego przedmiotu;
4. Mocno dokręcić pręt gwintowany zacisku obrabianego przedmiotu (21), aby unieruchomić obrabiany przedmiot. Aby poluzować, po prostu odkręcić pręt gwintowany zacisku obrabianego przedmiotu (21).

Pokrętko zacisku obrabianego przedmiotu (44) pozwala na szybszą regulację wysokości zacisku obrabianego przedmiotu (21). Po wyregulowaniu wysokości zawsze mocno dokręcić pręt gwintowy



wany zacisku obrabianego przedmiotu (21), aby unieruchomić obrabiany przedmiot.

### Regulacja przegrody (Rys. H)



*Zawsze dostosowywać przegrodę do określonego typu cięcia.*

W przypadku cięcia ukosowego i/lub skośnego należy przestawić regulowaną przegrodę (7) w zależności od kierunku cięcia. W ten sposób obrabiany przedmiot jest zawsze prawidłowo podpierany przez przegrodę w każdych okolicznościach. W tym celu:

1. Poluzować śrubę mocującą regulowanej przegrody (35);
2. Wyregulować przegrodę w zależności od planowanego cięcia. W przypadku cięcia ukosowego lub prostego przegrodę należy przesunąć do środka, w stronę tarczy (maks. 8 mm), ale tak, by jej nie dotykała. W przypadku cięcia skośnego przegrodę należy przesunąć na zewnątrz, od tarczy (maks. 8 mm), tak, by jej nie dotykała;
3. Dokręcić śrubę mocującą regulowanej przegrody (35);
4. Aby tarcza nie dotykała regulowanej przegrody (35), zaleca się wykonanie przebiegu próbnego bez włączania narzędzia, aby sprawdzić ruch tarczy.

### Regulacja kąta cięcia ukosowego (Rys. A)

Kąt cięcia ukosowego można regulować w zakresie od 45° po lewej stronie do 45° po prawej stronie. Do szybkiego i dokładnego ustawienia często stosowanych kątów cięcia ukosowego, gotowe pozycje regulacji są dostępne na blacie pilarki dla kątów 0°, 15°, 22,5°, 30° i 45°.

### Ustawienie kąta cięcia ukosowego zgodnie z gotową pozycją regulacji:

1. Poluzować pokrętko regulacji cięcia ukosowego (14);
2. Pociągnąć dźwignię regulacji cięcia ukosowego (15) i obrócić blat (11) w lewo lub w prawo na żądaną gotową pozycję regulacji. Kąt można odczytać z podziałki kąta cięcia ukosowego (16) za pomocą wskazówki kąta cięcia ukosowego (17).
3. Zwolnić dźwignię. Musi być odczuwalne zablokowanie dźwigni w gotowej pozycji regulacji.
4. Dokręcić pokrętko regulacji cięcia ukosowego (14).

### Ustawienie kąta cięcia ukosowego na dowolną wartość z zakresu:

1. Poluzować pokrętko regulacji cięcia ukosowego (14);
2. Pociągnąć dźwignię regulacji cięcia ukosowego (15) i obrócić blat (11) w lewo lub w prawo w żądaną pozycję. Kąt można odczytać z podziałki kąta cięcia ukosowego (16) za pomocą wskazówki kąta cięcia ukosowego (17).
3. Zwolnić dźwignię i dokręcić pokrętko regulacji cięcia ukosowego (14).

### Regulacja kąta cięcia skośnego (Rys. A, B)

Kąt cięcia skośnego można ustawić w zakresie od 0° do +45° po lewej stronie. W tym celu:

1. Poluzować pokrętko regulacji cięcia skośnego (22);
2. Pochylać pilarkę za pomocą uchwytu (2), aż wskazówka (19) wskaże żądane położenie na podziałce kąta cięcia skośnego (20);
3. Dokręcić pokrętko regulacji cięcia skośnego (22).

### Włączanie i wyłączanie narzędzia (Rys. A)

- Aby włączyć maszynę, wcisnąć i przytrzymać przycisk wyłączania blokady (1) i wcisnąć włącznik (3).
- Aby zatrzymać maszynę, zwolnić włącznik (3).

### Wykonywanie cięcia poprzecznego (Rys. I, J)

Postępować zgodnie z poniższą procedurą, aby ciąć w poprzek włókien drewna:

1. Ustawić kąty cięcia skośnego i ukosowego na 0°;
2. Przeszawić regulowaną przegrodę w położenie wewnętrzne, w stronę tarczy. Maksymalna odległość między regulowaną przegrodą (35) a tarczą pilarki (6) to 8 mm zgodnie z rysunkiem J. Dopilnować, aby przegroda nie dotykała tarczy.
3. Mocno zacisnąć obrabiany przedmiot;
4. Włączyć narzędzie. Poczekać, aż tarcza osiągnie pełną prędkość;
5. Teraz powoli opuszczać uchwyt, aby tarcza tnąca przecięła obrabiany przedmiot i przeszła przez szczelinę w blacie roboczym. Nie dociskać pilarki za mocno, tylko pozwolić jej wykonać swoją pracę;
6. Delikatnie podnieść uchwyt do góry i wyłączyć maszynę, zwalniając włącznik.

### Wykonywanie cięcia ukosowego (Rys. I, J)

Postępować zgodnie z poniższą procedurą, aby ciąć pod kątem w stosunku do powierzchni czołowej drewna:

1. Ustawić żądany kąt cięcia ukosowego i ustawić kąt 0° cięcia skośnego;
2. Przetawić regulowaną przegrodę w położenie wewnętrzne, w stronę tarczy. Maksymalna odległość między regulowaną przegrodą (35) a tarczą pilarki (6) to 8 mm zgodnie z rysunkiem J. Dopilnować, aby przegroda nie dotykała tarczy.
3. Mocno zacisnąć obrabiany przedmiot;
4. Włączyć narzędzie. Poczekać, aż tarcza osiągnie pełną prędkość;
5. Teraz powoli opuszczać uchwyt, aby tarcza tnąca przecięła obrabiany przedmiot i przeszła przez szczelinę w blacie roboczym. Nie dociskać pilarki za mocno, tylko pozwolić jej wykonać swoją pracę;
6. Delikatnie podnieść uchwyt do góry i wyłączyć maszynę, zwalniając włącznik.

#### Wykonywanie cięcia skośnego (Rys. L, M)

Postępować zgodnie z poniższą procedurą, aby ciąć pod kątem w stosunku do krawędzi drewna:

1. Ustawić kąt cięcia ukosowego 0° i żądany kąt cięcia skośnego;
2. Przetawić regulowaną przegrodę w położenie zewnętrzne, z dala od tarczy. Maksymalna odległość między regulowaną przegrodą (35) a tarczą pilarki (6) to 8 mm zgodnie z rysunkiem M. Dopilnować, aby przegroda nie dotykała tarczy.
3. Mocno zacisnąć obrabiany przedmiot. Dopilnować, aby zacisk obrabianego przedmiotu znajdował się po prawej stronie;
4. Włączyć narzędzie. Poczekać, aż tarcza osiągnie pełną prędkość;
5. Teraz powoli opuszczać uchwyt, aby tarcza tnąca przecięła obrabiany przedmiot i przeszła przez szczelinę w blacie roboczym. Nie dociskać pilarki za mocno, tylko pozwolić jej wykonać swoją pracę;
6. Delikatnie podnieść uchwyt do góry i wyłączyć maszynę, zwalniając włącznik.

#### Wykonywanie cięcia złożonego (Rys. M, N)

Postępować zgodnie z poniższą procedurą, aby wykonać cięcie stanowiące kombinację cięcia ukosowego i skośnego:

1. Ustawić żądany kąt cięcia ukosowego i żądany kąt cięcia skośnego;
2. Przetawić regulowaną przegrodę w położenie zewnętrzne, z dala od tarczy. Maksymalna

odległość między regulowaną przegrodą (35) a tarczą pilarki (6) to 8 mm zgodnie z rysunkiem M. Dopilnować, aby przegroda nie dotykała tarczy.

3. Mocno zacisnąć obrabiany przedmiot. Dopilnować, aby zacisk obrabianego przedmiotu znajdował się po prawej stronie;
4. Włączyć narzędzie. Poczekać, aż tarcza osiągnie pełną prędkość;
5. Teraz powoli opuszczać uchwyt, aby tarcza tnąca przecięła obrabiany przedmiot i przeszła przez szczelinę w blacie roboczym. Nie dociskać pilarki za mocno, tylko pozwolić jej wykonać swoją pracę;
6. Delikatnie podnieść uchwyt do góry i wyłączyć maszynę, zwalniając włącznik.

#### Korzystanie z funkcji przesuwania

W przypadku bardzo szerokich obrabianych przedmiotów można skorzystać z funkcji przesuwania narzędzia. W przypadku korzystania z funkcji przesuwania dopilnować, aby poluzować śrubę mocującą szyn do przesuwania (29). Ciągnąć za uchwyt (2), odsuwając go od przegrody (9), aż tarcza znajdzie się przed obrabianym przedmiotem. Powoli prowadzić ramię narzędzia w dół za pomocą uchwytu, po czym pchnąć uchwyt (2) w stronę przegrody (9) i przecinać obrabiany przedmiot z jednolitą prędkością posuwu.

W przypadku małych obrabianych przedmiotów, można zablokować funkcję przesuwania w pozycji z tyłu pilarki za pomocą śruby mocującej szyn do przesuwania (29). Jeśli wymagana jest większa szerokość cięcia, należy poluzować śrubę mocującą szyn do przesuwania (29).

#### Korzystanie z ogranicznika długości (Rys. O)

Ogranicznik długości (8) na lewym i prawym przedłużeniu blatu (10) pozwala na łatwe przecinanie przedmiotów na równą długość.

1. Przesunąć ogranicznik długości (8) do góry;
2. Poluzować śrubę mocującą przedłużenia blatu (34);
3. Dostosować długość przedłużenia blatu (10).
4. Dokręcić śrubę mocującą przedłużenia blatu (34).

#### Regulacja ogranicznika głębokości (Rys. P)

Ogranicznik głębokości można ustawić w celu ograniczenia głębokości cięcia. Może to się przydać podczas wycinania rowków. W tym celu:

1. Poluzować nakrętkę radełkowaną do regulacji głębokości (45);
2. Ustawić pokrętko regulacji głębokości (24) na żadaną głębokość;
3. Dokręcić nakrętkę radełkowaną do regulacji głębokości (45).

#### Włączanie i wyłączanie lasera (Rys. B)

- Wcisnąć włącznik lasera (46), aby włączyć lub wyłączyć laser. Włącznik lasera (46) włącza również światło robocze LED.

#### Precyzyjna regulacja



*Przed rozpoczęciem jakichkolwiek prac konserwacyjnych, odłączyć kabel zasilający od gniazdka.*

Aby zapewnić dokładne cięcie, podstawowe ustawienia pilarki należy sprawdzić i wyregulować przed pierwszym użyciem oraz po intensywnym okresie użytkowania. Wymaga to użycia specjalnych narzędzi. Serwis firmy Vonroc udzieli pomocy w szybkim i niezawodnym wykonaniu tego zadania.

#### Precyzyjna regulacja lasera (Rys. Q)

**Uwaga:** Przetestowanie funkcji lasera wymaga podłączenia elektronarzędzia do zasilania.



*Podczas regulacji lasera (np. przesuwania ramienia narzędzia) nigdy nie uruchamiać włącznika. Przypadkowe uruchomienie elektronarzędzia może prowadzić do obrażeń ciała.*

Jeśli laser (18) przestanie pokazywać prawidłową linię cięcia, można go wyregulować. W tym celu:

1. Wykręcić śruby pokrywy (47), aby zdjąć pokrywę przednią;
2. Poluzować śruby regulacji lasera (48) i ustawić laser, przesuając go, aż wiązka lasera pojawi się na zębach tarczy (6);
3. Zamontować pokrywę przednią, dokręcając obie śruby (47).

#### Precyzyjna regulacja kąta cięcia skośnego 0° (Rys. R, S)

1. Ustawić kąty cięcia skośnego i ukosowego na 0°;
2. Opuścić uchwyt (2) i unieruchomić go pokrętkiem blokady położenia (38);
3. Zablokować możliwość przesuwania za pomocą śruby mocującej szyn do przesuwania (29);

4. Ustawić kątownik na 90° i położyć go na blacie (11) zgodnie z rysunkiem S. Ramię kątownika musi być ustawione równo z tarczą (6) na całej długości;
5. Poluzować nakrętkę zabezpieczającą kąta cięcia skośnego 0° (50);
6. Regulować śrubę ograniczającą kąta cięcia skośnego 0° (32), aż ramię kątownika będzie ustawione równo z tarczą (6) na całej długości;
7. Dokręcić nakrętkę zabezpieczającą kąta cięcia skośnego 0° (50).

Następnie sprawdzić położenie wskazówki kąta (19). W razie potrzeby poluzować wskazówkę wkrętakiem z końcówką krzyżową, ustawić ją na położenie 0° na podziałce kąta cięcia skośnego (20) i ponownie dokręcić śrubę mocującą.

#### Precyzyjna regulacja kąta cięcia skośnego 45° (Rys. R, T)

1. Ustawić kąty cięcia skośnego i ukosowego na 45°;
2. Opuścić uchwyt (2) i unieruchomić go pokrętkiem blokady położenia (38);
3. Zablokować możliwość przesuwania za pomocą śruby mocującej szyn do przesuwania (29);
4. Ustawić kątownik na 90° i położyć go na blacie (11) zgodnie z rysunkiem T. Ramię kątownika musi być ustawione równo z tarczą (6) na całej długości;
5. Poluzować nakrętkę zabezpieczającą kąta cięcia skośnego 45° (49);
6. Regulować śrubę ograniczającą kąta cięcia skośnego 45° (31), aż ramię kątownika będzie ustawione równo z tarczą na całej długości;
7. Dokręcić nakrętkę zabezpieczającą kąta cięcia skośnego 45° (49).

Następnie sprawdzić położenie wskazówki kąta (19). W razie potrzeby poluzować wskazówkę wkrętakiem z końcówką krzyżową, ustawić ją na położenie 45° na podziałce kąta cięcia skośnego (20) i ponownie dokręcić śrubę mocującą.

#### Precyzyjna regulacja kąta cięcia ukosowego 0° (Rys. U, V)

1. Ustawić kątownik na 0° i położyć go na blacie (11) między przegrodą (9) a tarczą (6);
2. Ramię kątownika musi być ustawione równo z tarczą (6) na całej długości;
3. Poluzować wszystkie cztery śruby przegrody (51) i regulować przegrodę (9), aż ramię kątown-

nika będzie ustawione równo z tarczą na całej długości;

4. Ponownie dokręcić wszystkie cztery śruby przegrody (51). Następnie sprawdzić położenie wskazówki kąta (17). W razie potrzeby poluzować wskazówkę wkrętakiem z końcówką krzyżową, ustawić ją na położenie 0° na podziałce kąta cięcia ukosowego (16) i ponownie dokręcić śrubę mocującą.

## 5. KONSERWACJA



*W trakcie przeprowadzania czynności konserwacyjnych części mechanicznych maszyna musi być odłączona od zasilania.*

Czyścić obudowę narzędzia regularnie miękką ściereczką, najlepiej po każdym użyciu. Dopilnować, aby otwory wentylacyjne były wolne od pyłu i zanieczyszczeń. Usuwać uporczywe zanieczyszczenia miękką ściereczką, lekko nawilżoną wodą z mydłem. Nie używać żadnych rozpuszczalników, jak benzyna, alkohol, amoniak itp., gdyż tego typu chemikalia powodują uszkodzenia części z tworzyw sztucznych.

### Czyszczenie osłon ochronnych

Zawsze sprawdzać osłonę ochronną (4) i chowaną osłonę ochronną (5) pod kątem zanieczyszczenia resztkami przed użyciem narzędzia. Usuwać stare wióry i drzazgi szczotką itp.

### Wymiana wkładki blatu

**##Niezwłocznie wymieniać uszkodzone wkładki blatu.**

Uszkodzone wkładka blatu (13) powoduje ryzyko utknięcia małych części między wkładką blatu a tarczą, co spowoduje zablokowanie tarczy pilarki. Aby wymienić wkładkę blatu:

1. Wykręcić śruby wkładki blatu wkrętakiem z końcówką krzyżową. W razie potrzeby dostosować kąt cięcia ukosowego i skośnego, aby uzyskać dostęp do tych śrub;
2. Zdemonstować wkładkę blatu;
3. Zamontować nową wkładkę blatu;
4. Dokręcić śruby wkrętakiem z końcówką krzyżową.

### Szyny do przesuwania

Zanieczyszczenia mogą spowodować uszkodzenie szyn do przesuwania (25) i uniemożliwić pracę narzędzia.

- Regularnie czyścić szyny do przesuwania miękką ściereczką;
- Nasmarować szyny do przesuwania kilkoma kroplami oleju do smarowania;
- Przesunąć pilarkę naprzód i wstecz, aby rozprzecznić olej na całej długości szyn.

## SRODOWISKO



*Uszkodzone i/lub niepotrzebne urządzenia elektryczne lub elektroniczne podlegają zbiórce w odpowiednich punktach recyklingu.*

### Tylko kraje WE

Nie wyrzucać elektronarzędzi wraz z odpadami z gospodarstw domowych. Zgodnie z dyrektywą 2012/19/WE dotycząca zużytych urządzeń elektrycznych i elektronicznych oraz jej wdrożeniem do prawodawstwa krajowego, elektronarzędzia, które już nie nadają się do użytku, podlegają oddzielnej zbiórce oraz utylizacji w sposób przyjazny dla środowiska.

## GWARANCJA

Produkty VONROC są wytwarzane zgodnie z najwyższymi standardami jakości i producent udziela gwarancji na wady materiałowe i wady wykonania na okres wymagany prawem, licząc od dnia zakupu. Jeśli wystąpi usterka produktu w tym okresie spowodowana wadą materiałową i/lub wadą wykonania, proszę bezpośrednio skontaktować się ze sprzedawcą VONROC.

Następujące okoliczności powodują unieważnienie gwarancji:

- Przeprowadzono naprawy lub modyfikacje narzędzia w serwisie innym lub autoryzowany lub podjęto ich próbę;
- Normalne zużycie nie jest objęte gwarancją;
- Narzędzie było używane niezgodnie z przeznaczeniem, zle z nim się obchodzono lub było nieprawidłowo konserwowane;
- Użyto części zamiennych innych niż oryginalne.

Niniejsza gwarancja to wyłączna gwarancja producenta i nie obowiązują żadne inne wyrażone ani dorozumiane gwarancje. Nie obowiązują żadne inne wyrażone ani dorozumiane gwarancje o zakresie przekraczającym niniejszą gwarancję, co obejmuje dorozumiane gwarancje przydatności do sprzedaży i przydatności do określonego celu. W żadnym przypadku firma VONROC nie ponosi odpowiedzialności za straty przypadkowe lub wynikowe. Zadośćuczynienie sprzedawcy jest ograniczone do naprawy lub wymiany niezgodnych urządzeń lub części.

**Produkt i instrukcja obsługi podlegają zmianom. Dane techniczne podlegają zmianom bez uprzedzenia.**

## 1. GÜVENLİK TALİMATLARI

Ekteki güvenlik uyarılarını, ilave güvenlik uyarılarını ve talimatları okuyun. Güvenlik uyarılarını ve talimatları izlememek elektrik çarpması, yangın ve/veya ciddi yaralanma ile sonuçlanabilir. Güvenlik uyarılarını ve talimatları ilerde bakmak üzere muhafaza edin.

Aşağıdaki semboller kullanıcı kılavuzunda veya ürün üzerinde kullanılmaktadır:



*Kullanıcı kılavuzunu okuyun.*



*Bu kılavuzdaki talimatlara uymama durumunda bedensel yaralanma, can kaybı veya alete hasar riskini belirtir.*



*Elektrik çarpması riski.*



*İzleyicileri uzakta tutun*



*Bir toz koruyucu takın*



*Kulak ve göz koruyucusu takın*



*Dikkat: Lazer radyasyonu. Sınıf 2 lazer ışınına direk bakmayın.*



*Elektrikli el aleti çalışırken ellerinizi kesim alanından uzak tutun. Testere bıçağı ile temas yaralanmalara neden olabilir.*



*Tehlike Bölgesi! Ellerinizi, parmaklarınızı veya ellerinizi bu yerden uzak tutun.*



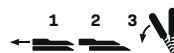
*Makineyi yalnızca makine nakliye pozisyonundayken taşıyın.*



*Sınıf II makine- Çift İzolasyon - Topraklanmış prize ihtiyacınız yok.*



*Ürün, Avrupa yönergelerindeki geçerli güvenlik standartlarına uygundur.*



*Gönye/eğim açısıyla kesim yaparken ayarlanabilir çit dışı doğru çekilmelidir.*



Testere bıçağının ebatlarına dikkat edin. Delik çapı, alet miline yerinde oynamayacak şekilde uymalıdır. Redüktörlerin kullanılması gerekiyorsa redüktörün boyutlarının, taban bıçağı kalınlığı ve testere bıçağı delik çapı ile alet milinin çapı için uygun olduğundan emin olun. Mümkünse testere bıçağıyla birlikte verilen redüktörleri kullanın. Testere bıçağı çapı, sembolde belirtilen bilgilere uymalıdır.

## GENEL ELEKTRİK ALET GÜVENLİK UYARILARI



**UYARI Tüm güvenlik uyarılarını ve tüm talimatları okuyun.** Uyarılara uyulmadı ve talimatlar elektrik çarpmasına, yangına ve/veya ciddi yaralanmalara neden olabilir.

### Tüm uyarıları ve talimatları gelecekte başvurmak üzere saklayın.

Uyarılardaki "elektrikli alet" terimi, şebeke elektrigi ile çalışan (kablolu) elektrikli alet veya pil ile çalışan (kablesiz) elektrikli alet anlamına gelir.

#### 1) İş aşanı güvenliği

- İş alanını temiz ve aydınlık tutun.** Dağınık veya karanlık bölgeler, kazalara davetiye çıkarır.
- Elektrikli aletleri, yanıcı sıvıların, gazların veya tozun var olduğu patlayıcı atmosferlerde kullanmayın.** Elektrikli aletler, tozu veya dumanları ateşleyebilecek kıvılcımlar oluşturur.
- Bir elektrikli aleti kullanırken, çocukları ve çevredekileri uzak tutun.** Dikkatiniz dağılırsa kontrolü kaybedebilirsiniz.

#### 2) Elektrik güvenliği

- Elektrikli alet fişleri, prize uygun olmalıdır.** Fişi, hiçbir şekilde modifiye etmeyin. Topraklı elektrikli aletlerle, herhangi bir fiş adaptörü kullanmayın. Modifiye edilmiş fişler ve buna uygun prizler, elektrik çarpması riskini azaltır.
- Borular, radyatörler, ocaklar ve buzdolapları gibi topraklı yüzeylerle temastan kaçının.** Eğer vücudunuz topraklanmışsa, elektrik çarpması riski daha fazla olur.
- Elektrikli aletleri yağmura veya ıslaklığa maruz bırakmayın.** Bir elektrikli alete su girmesi durumunda, elektrik çarpması riski artacaktır.

- Kabloya kötü davranmayın.** Kabloyu taşıma amacıyla, elektrikli aleti ya da elektrikli aletin fişini çekmek için kullanmayın. Kabloyu ısıdan, yağdan, keskin kenarlardan ya da hareketli parçalardan uzak tutun. Hasar görmüş ya da dolmuş kablolar, elektrik çarpması riskini artırır.
- Bir elektrikli aleti dış mekanlarda kullanırken, dış mekan kullanımına uygun bir uzatma kablosu kullanın.** Dış mekan kullanımına uygun ir kablo kullanıldığında, elektrik çarpması riski azalır.
- Elektrikli aleti nemli bir konumda çalıştırmak kaçınılmazsa, kaçak akım cihazı (RCD) korumalı bir kaynak kullanın.** RCD kullanımı elektrik çarpması riskini azaltır.

#### 3) Kişisel güvenlik

- Elektrikli aleti kullanırken tetikte kalın, ne yaptığınıza dikkat edin ve sağduyulu davranın.** Bir elektrikli aleti yorgun olduğunuzda ya da uyuşturucu, alkol veya ilaç etkisindeyken kullanmayın. Elektrikli aleti kullanırken bir anlık dikkatsizlik ciddi kişisel yaralanmalara neden olabilir.
- Kişisel koruyucu donanım kullanın. Her zaman göz koruması takın.** Uygun durumlar için kullanılan toz maskesi, kaymaz güvenlik ayakkabıları, baret veya kulak tıkacı gibi koruyucu donanımlar, kişisel yaralanma riskini azaltacaktır.
- Kasıtsız çalışmayı önleyin. Bir elektrik kaynağını ve/veya pil takımını bağlamadan, aleti kaldırmadan ya da taşımadan önce elektrikli aletin anahtarının kapalı durumda olduğundan emin olun.** Elektrikli aletleri parmağınız anahtar üzerindeyken taşımak veya anahtarı açık elektrikli aletleri harekete geçirmek kazalara davetiye çıkarır.
- Elektrikli aleti açık duruma getirirmeden önce her türlü ayar anahtarını çıkarın.** Elektrikli aletin dönen bir parçasında kalan bir anahtar, kişisel yaralanmalara neden olabilir.
- Fazla uzanmayın. Ayaklarınızı sağlam basın ve her zaman dengeli olun.** Böylece beklenmeyen durumlarda elektrikli aleti daha iyi kontrol edebilirsiniz.
- Uygun kıyafetler giyin. Bol kıyafetler giymeyin, takılar takmayın. Saçınızı, kıyafetlerinizi ve eldivenlerinizi, hareketli parçalardan uzak tutun.** Bol kıyafetler, takılar veya uzun saç, hareketli parçalara takılabilir.
- Eğer cihazlar toz giderme ve toplama tesislerinin bağlantısı için sağlanmışsa, bunların bağlandığından ve düzgün bir şekilde kullanıldığından emin olun.** Toz toplama ile tozla ilgili

tehlikeleri azaltılabilir.

- h) **Aletlerin sık kullanılmasından edindiğiniz bilgi birikiminin sizi aşırı rehavete sürüklemesine izin vermeyin ve araç güvenliği ilkelerini göz ardı etmeyin.** Dikkatsiz bir hareket, bir saniyeden bile kısa sürede ciddi yaralanmalara neden olabilir.

#### 4) Elektrikli alet kullanımı ve bakımı

- a) **Elektrikli aleti zorlamayın. Uygulamanız için doğru elektrikli aleti kullanın.** Doğru elektrikli alet, tasarım amacına uygun olarak işi daha iyi yapacaktır.
- b) **Eğer anahtarlar açılıp kapatılmıyorsa, elektrikli aleti kullanmayın.** Anahtarla kumanda edilemeyen elektrikli aletler tehlikelidir ve tamir edilmelidir.
- c) **Herhangi bir ayar, aksesuar değişimi ya da depolama işleminden önce elektrikli aletin fişini elektrik kaynağından çıkarın ve/veya pil takımını elektrikli aletten çıkarın.** Bu tür önleyici güvenlik önlemleri, elektrikli aletin kazara çalışma riskini azaltır.
- d) **Boş durumdaki elektrikli aletleri çocukların erişemeyeceği bir yerde muhafaza edin ve elektrikli aletin nasıl çalıştığını ya da bu talimatları bilmeyen kişilerin elektrikli aleti kullanmasına izin vermeyin.** Elektrikli aletler, eğitimsiz kullanıcıların elinde tehlikeli olur.
- e) **Elektrikli aletlerin bakımını yapın. Hatalı ayarlar veya hareketli parçaların bağlanması, parça kırılmaları ve elektrikli aletin çalışmasını etkileyecek diğer durumlar için kontrol gerçekleştirin.** Eğer herhangi bir hasar varsa, elektrikli alet kullanılmadan önce tamir edilmelidir. Çoğu kazaya bakımı iyi yapılmayan elektrikli aletler neden olur.
- f) **Kesme aletlerini keskin ve temiz tutun.** Bakımı iyi yapılan ve keskin kenarlara sahip kesme aletlerinde donmalar daha az yaşanır ve kontrol edilmeleri daha kolay olur.
- g) **Elektrikli aleti, aksesuarlarını ve torna kalemlerini bu talimatlara uygun olarak kullanın, çalışma koşullarını ve gerçekleştirecek olan işi dikkate alın.** Elektrikli aletin kullanım amacı dışında kullanılması, tehlikeli durumlarla sonuçlanabilir.
- h) **Tutamakları ve tutma yerlerini kuru, temiz ve yağdan arındırılmış şekilde muhafaza edin.** Kaygan tutamaklar ve tutma yerleri, beklenmedik durumlarda aletin güvenli şekilde taşınmasına ve kontrol edilmesine izin vermez.

#### 5) Pili alet kullanımı ve bakımı

- a) **Yalnızca üretici tarafından belirtilen şarj aletiyle şarj edin.** Bir türde pil takımı için uygun bir şarj cihazı, başka bir pil takımı ile kullanıldığında yangın riski oluşturabilir.
- b) **Elektrikli aletleri yalnızca özel olarak belirlenmiş pil takımlarıyla kullanın.** Başka pil takımlarının kullanımı yaralanma ve yangın riski oluşturabilir.
- c) **Pil takımı kullanılmadığı zamanda, ataşlar, bozuk paralar, anahtarlar, çiviler, vidalar veya diğer küçük metal nesnelere gibi bir uçtan diğerine bir bağlantı yapabilecek diğer metal nesnelere uzak tutun.** Pil uçlarını birbirine kısa devre yaptırmak yanıklara veya yangına neden olabilir.
- d) **Bozulma durumlarında pilden sıvı çıkabilir; temastan kaçının. Kazara temas gerçekleşirse, suyla yıkayın. Sıvı gözlerle temas ederse ayrıca tıbbi yardım isteyin.** Pilden çıkan sıvı tahrişe veya yanıklara neden olabilir.
- e) **Hasarlı veya üzerinde değişiklik yapılmış bir batarya veya aleti kullanmayın.** Hasarlı veya üzerinde değişiklik yapılmış bataryalar, yangın, patlama ya da yaralanma riskiyle sonuçlanan beklenmedik davranışlar sergileyebilir.
- f) **Batarya veya aleti ateşe veya aşırı sıcaklığa maruz bırakmayın.** Ateşe veya 130 °C üzeri sıcaklıklara maruz kalması patlamaya yol açabilir. NOT Sıcaklık birimi olarak kullanılan „130 °C“ yerine „265 °F“ kullanılabilir.
- g) **Tüm şarj talimatlarına uyun ve batarya veya aleti talimatlarda belirtilen sıcaklık aralığının dışındaki ortamlarda şarj etmeyin.** Yanlış şekilde veya belirtilen aralığın dışındaki sıcaklıklarda şarj etmek bataryaya zarar verebilir ve yangın riskini artırabilir.

#### 6) Servis

- a) **Elektrikli aletinizin servis işlemlerini, yalnızca aynı yedek parçaları kullanan vasıflı bir tamircinin yapmasını sağlayın.** Bu, elektrikli aletin güvenliğinin korunmasını sağlayacaktır.
- b) **Hasarlı bataryalara asla kendiniz bakım yapmaya çalışmayın.** Bataryadaki bakım işlemleri sadece üretici veya yetkili servisler tarafından yapılmalıdır.

## ÖZEL GÜVENLİK TALİMATLARI

- Gönye testereleleri ahşap veya benzeri ürünleri kesmek için tasarlanmıştır, demir çubuk, metal, saplama vb. gibi demir malzemelerin kesilmesi için aşındırıcı kesme diskleriyle kullanılamazlar. Aşındırıcı toz, alt siper gibi hareketli parçaların sıkışmasına neden olur. Aşındırıcı kesmeler sonucu oluşan kıvılcıklar alt siper, kesme ek parçası ve diğer plastik parçaların yanmasına neden olur.
- Mümkünse iş parçasını desteklemek için kelepçe kullanın. İş parçasını elinizle destekliyorsanız, elinizi daima testere bıçağının iki tarafından en az 100 mm mesafede tutmalısınız. Bu testereyi, güvenli bir şekilde kelepçeyle tutturulamayacak veya elle tutulamayacak kadar küçük parçaları kesmek için kullanmayın. Elleriniz testere bıçağına çok yakın koyulursa bıçakla temas sonucu yaralanma riski artabilir.
- Çalışılan parça hareketsiz olmalı ve kelepçeyle sabitlenmelidir veya hem çit hem de tezgaha tutturulmalıdır. İş parçasını bıçağa yönlendirme veya kesme işlemini kesinlikle “elle” yapmayın. İyi sabitlenmemiş veya hareket eden iş parçaları yüksek hızla fırlatarak yaralanmalara neden olabilir.
- Testereyi iş parçasına ittirin. Testereyi çalışılan parçaya doğru çekmeyin. Bir kesim yapmak için testere kafasını kaldırın ve kesme yapmadan önce çalışılan parçanın üzerine çekin, motoru çalıştırın ve testereyi çalışılan parçaya ittirin. Çekme stroku üzerinde kesim yapılması testere bıçağının çalışma parçasının üst kısmına tırmanmasına ve bıçak düzeneğinin operatöre doğru çok sert şekilde fırlamasına neden olabilir.
- Kesinlikler ellerinizi testere bıçağının ön veya arka tarafındaki kesim hattına doğru uzatmayın. Çalışma parçasını „çapraz elle” yani testere bıçağının sağ tarafındaki çalışma parçasını sol elle tutmak veya tersi şekilde tutmak çok tehlikelidir.
- Bıçak dönerken odun parçalarını temizlemek veya diğer herhangi bir nedenle herhangi elinizi çitin arkasında testere bıçağının 100 mm’den daha fazla yaklaştırmayın. Ellerinizin dönen testere bıçağına yakınlığı anlaşılabilir ve ciddi şekilde yaralanmanıza neden olabilir.
- Kesmeden önce çalışılan parçayı kontrol edin. Çalışılan parça eğilmiş veya bükülmüşse, parçayı dışa eğilmiş kısmı çite bakacak şekilde kelepçeleysin. Kesim hattı boyunca çalışılan parça, çit ve masa arasında herhangi bir boşluk bulunmadığından daima emin olun. Eğilmiş veya bükülmüş çalışma parçaları kıvrılabilir veya yönü değişebilir ve kesim sırasında döner testere bıçağının üstüne gelebilir. Çalışılan parça üzerinde herhangi bir çivi veya yabancı nesne bulunmamalıdır.
- Masa üzerinde, çalışılan parça haricindeki tüm aletler, ahşap parçaları kaldırılana kadar testereyi kullanmayın. Döner bıçağa temas eden, ufak kır birikintileri, gevşek ahşap parçaları veya diğer nesnelere yüksek hızla fırlatabilir.
- Tek seferde sadece bir iş parçası kesin. Birlikte birden fazla iş parçası yeterince iyi kelepçelenemez veya kavranamaz ve kesme sırasında bıçak üzerine denk gelebilir veya yerinden kayabilir.
- Gönye testerenin kullanılmadan önce düz ve sabit bir çalışma yüzeyine monte edildiğinden veya koyulduğundan emin olun. Düz ve sabit bir çalışma yüzeyi gönye testerenin dengesiz hale gelmesi riskini azaltır.
- İşinizi planlayın. Eğim veya gönye açısı ayarını değiştirmek istediğiniz her seferinde ayarlanabilir çitin çalışılan iş parçasını destekleyecek şekilde doğru ayarlandığından ve bıçak veya koruma sistemiyle temas etmediğinden emin olun. Aleti çalıştırmadan ve masada herhangi bir iş parçası bulunmadan önce çitle herhangi bir girişim veya çiti kesme tehlikesi bulunmadığından emin olmak için testere bıçağına tam olarak önceden belirlenmiş bir kesime doğru hareket ettirin.
- Tabla üstünden daha geniş veya uzun bir iş parçası için tezgah uzantıları, testere tezgahları vb. gibi yeterli desteği sağlayın. Gönye testere tablasından daha geniş veya uzun bir iş parçasını sağlam desteklenmezse devrilebilir. Eğer kesilen parça veya iş parçası devrilirse, alt siperi kaldırabilir veya döner bıçak tarafından fırlatılabilir.
- Başka bir insanı bir tabla uzantısı yerine veya ilave destek olarak kullanmayın. Çalışılan parça için dengesiz destek kesme işlemi sırasında bıçağın tutukluk yapmasına veya iş parçasının sizi veya yardım eden kişiyi döner bıçağa çekecek şekilde kaymasına neden olabilir.
- Kesilen parça hiç bir şekilde döner testere bıçağına sıkıştırılmamalı veya bastırılmamalıdır. Örneğin uzunluk sınırları kullanılan dar alanlarda kesilen parça bıçağa takılabilir ve şiddetli bir şekilde fırlatabilir.
- Daima demir çubuk veya boru gibi yuvarlak malzemeleri doğru şekilde desteklemek için tasarlanmış bir kelepçe veya sabitleyici kullanın. Demir çubuklar kesim sırasında yuvarlanma eğilimine sahiptir, bu da bıçağın „takılmasına” ve iş



parçasını elinizle birlikte bıçağa çekmesine neden olabilir.

- Bıçağın çalışılan iş parçasına temas etmeden önce tam hız ulaşmasını sağlayın. Bu durum iş parçasının fırlaması riskini azaltacaktır.
- İş parçası veya bıçak sıkışırsa gönye testereyi kapalı konuma getirin. Tüm hareketli parçaların durmasını bekleyin ve fişini güç kaynağından çekin ve/ veya bataryayı çıkartın. Ardından sıkışan malzemeyi serbest bırakmaya çalışın. Sıkışmış bir malzemeyle kesme işlemine devam edilmesi kontrolün kaybedilmesine veya gönye testerenin hasar görmesine neden olabilir.
- Kesme işlemi tamamlandıktan sonra, düğmeyi serbest bırakın, testere kafasını aşağı eğin ve kesilen parçayı çıkartmadan önce bıçağın durmasını bekleyin. Ellerinizin boşta dönen bıçağa yaklaştırılması tehlikelidir.
- Tamamlanmamış bir kesim yaparken veya testere kafası tam olarak aşağı konumda olmadan önce düğmeyi serbest bırakırken kolu sıkıca tutun. Testerenin frenleme eylemi testere kafasının aniden aşağıya düşmesine ve bir yaralanma riski oluşmasına neden olabilir.
- Çalışma alanınızı temiz tutun. Malzeme karışımları özellikle tehlikelidir. Hafif metal tozu alev alabilir veya patlayabilir.
- Körelmiş, kırılmış, eğilmiş veya hasar görmüş testere bıçaklarını kullanmayın. Bileylenmemiş veya doğru ayarlanmamış bıçaklar dar yarıklara neden olarak aşırı sürtünme, bıçak yapışması ve geri tepmeye neden yol açarlar.
- Yüksek hızlı çelikten (HSS) üretilmiş testere bıçaklarını kullanmayın. Bu tür testere bıçakları kolayca kırılabilir.
- Daima doğru boyut ve şekilde (yuvarlağa karşı baklava dilimli) deliklere sahip testere bıçaklarını kullanın. Testerenin montaj donanımına uygun olmayan bıçaklar dengesiz çalışır ve kontrol kaybına neden olur.
- Entegre lazeri başka tür bir lazerle değiştirmeyin. Bu elektrikli el aletiyle uyumlu olmayan bir lazer insanlar için risk oluşturabilir.
- Elektrikli el aleti çalışırken kesilen parçaları, talaş parçalarını vb. kesinlikle kesim alanından çıkarmayın. Önce alet kolunu daima nötr konuma getirin ve ardından elektrikli el aletini kapatın.
- İş bittikten sonra, iş parçası soğumadan testere bıçağına dokunmayın. Testere bıçağı çalışırken çok ısınır.
- Makine üzerinde uyarı işaretlerinin okunamaz

hale gelmesine asla izin verilmemelidir.

- Lazer radyasyonu gözünüze çarparsa, gözlerinizi kapatmalı ve hemen başınızı ışından uzaklaştırmalısınız.
- Radyasyon kaynağını görüntülemek için dürbün gibi optik aletler kullanmayın. Bunu yapmak gözlerinize zarar verebilir.
- Lazer ışığını dürbün veya benzeri aletlerle bakan kişilere yönlendirmeyin. Bunu yapmak onların gözüne zarar verebilir.
- Lazer ekipmanında herhangi bir değişiklik yapmayın. Bu kullanım talimatlarında açıklanan ayar seçenekleri güvenle kullanılabilir.
- Elektrikli el aletinin önündeki testere bıçağı ile aynı hizada durmayın. Daima testere bıçağının yan tarafında durun. Bu, vücudunuzu olası bir geri tepmeye karşı korur.
- Elleri, parmakları ve kolları dönen testere bıçağından uzak tutun.
- Alet kolunu önünderken bir elinizi diğer elinizin üzerinden uzatmayın.
- Testere dişlerinin aşırı ısınmasını önleyin. Testere bıçağı aşırı ısındığında, makineyi durdurun. Makineyi tekrar kullanmadan önce testere bıçağının soğumasını sağlayın.
- Hasarlı veya yıpranmış testere bıçaklarını hemen değiştirin.
- Sadece bu kullanım kılavuzunda belirtilen özelliklere uyan, EN 847-1 uyarınca test edilmiş ve işaretlenmiş testere bıçaklarını kullanın.
- Kavisli veya yuvarlak iş parçalarını keserken, bunlar özellikle kaymaya karşı sabitlenmelidir.
- Kesme hattında iş parçası, çit ve testere tezgahı arasında boşluk olmamalıdır. Gerekirse necessary, özel sabitleyiciler üretmeniz gerekebilir.

### Elektrik güvenliği



*Daima güç kaynağı geriliminin anma değerleri plakasındaki gerilime karşılık gelip gelmediğini kontrol edin.*

- Güç kaynağı kablolu veya şebeke fişi hasar görmüşse makineyi kullanmayın.
- Sadece makinenin güç değerleri açısından uygun, minimum 1,5 mm<sup>2</sup> kalınlığa sahip uzatma kabloları kullanın. Bir uzatma kablolu makarası kullanıyorsanız kabloyu daima tam olarak açın.

## 2. MAKİNE BİLGİSİ

### Kullanım amacı

Bu alet, ahşap üzerinde düz uzunlamasına ve çapraz kesikler açma amaçlı sabit bir makine olarak tasarlanmıştır. Aleti kullanarak -45° ile +45° arası gönye açılarında ve -0° ile +45° arası eğim açılarında kesim yapmak mümkündür. Üzerine takılı testere bıçağına sahip elektrikli alet, sert tahta ve yumuşak ahşabın yanı sıra sunta ve lif levhayı kesmek için yeterli kapasiteye sahip olarak tasarlanmıştır. Testere bıçağı yakacak odun kesmek için tasarlanmamıştır. Bu testereyi kılavuzda belirtilenler dışındaki malzemeleri kesmek için kullanmayın.

### TEKNİK SPESİFİKASYONLAR

<b>Model No.</b>	<b>MS502AC</b>
Voltaj	220-240V~
Frekans	50 Hz
Güç girişi	2000W
Yüksüz hız	4500/min
Yüksüz hız	-45° <> +45°
Yiv açıları	-45° <> 0° to the left, single bevel
Testere bıçağı özellikleri:	
Çap	0 254 mm
Taban bıçağı kalınlığı	1.6 mm
Kesim genişliği	2.8 mm
Delik çapı	0 30 mm
Dış sayısı	60T
Testere kapasitesi (yükseklik x genişlik):	
Gönye 0°, Yiv 0°	90 x 340 mm
Gönye 0°, Yiv 45°	45 x 340 mm
Gönye 45°, Yiv 0°	90 x 240 mm
Gönye 45°, Yiv 45°	45 x 240 mm
Minimum iş parçası boyutları	3 x 10 mm
Lazer teknik özellikleri	
Sınıf	2
Dalga uzunluğu	650 nm
Çıkış	< 1 mW
Agirlik	14.3 kg
Ses basıncı seviyesi LpA	97.2 +3 dB(A)
Ses gücü seviyesi LwA	110.2 +3 dB(A)
Titreşim	<2.5 m/s <sup>2</sup>

### Vibrasyon seviyesi

Bu talimat kılavuzunda belirtilen vibrasyon emisyon seviyesi EN 60745 içinde verilen bir standart teste uygun olarak ölçülmüştür; bir aleti başka bir aletle karşılaştırmak için ve aleti adı geçen uygulamalar için kullanırken bir ilk maruz kalma değerlendirmesi olarak kullanılabilir.

- aleti farklı uygulamalar için veya farklı ya da kötü bakılan aksesuarlarla kullanmak maruz kalma seviyesini büyük ölçüde artırabilir
- aletin kapalı olduğu veya çalışıp da gerçekten işi yapmadığı zamanlar maruz kalma seviyesini büyük ölçüde azaltabilir.

Aletin ve aksesuarların bakımını yaparak, ellerinizi sıcak tutarak ve çalışma düzenlerinizi organize ederek vibrasyonun etkilerine karşı kendinizi koruyun.

### AÇIKLAMA

Metindeki numaralar sayfa 2-6'teki semaları işaret etmektedir.

1. Kilitleme düğmesi
2. Tutamak
3. Açma / Kapama anahtarı
4. Koruma siperi
5. Geriye çekilebilir koruma siperi
6. Testere bıçağı
7. Ayarlanabilir çit
8. Tabla uzantısı için ayar topuzu
9. Çit
10. Tabla uzantısı
11. Tabla
12. Montaj delikleri
13. Kesim plakası
14. Gönye ayar topuzu
15. Gönye ayar kolu
16. Gönye açılı ölçeği
17. Gönye açılı göstergesi
18. Lazer
19. Eğim açısı göstergesi
20. Eğim açısı için ölçek
21. İş parçası kelepçesi
22. Eğim ayar topuzu
23. Silindir
24. Derinlik ayar civatası
25. Sürgülü raylar
26. Toz torbası
27. Taşıma kolu
28. Toz çıkışı
29. Sürgülü raylar için kilit civatası

30. Arka eğim koruyucu
31. 45° eğim açısı için durdurma civatası
32. 0° eğim açısı için durdurma civatası
33. İş parçası kelepçesi için kilitleme civatası
34. Tabla uzantısı için kilit civatası
35. Ayarlanabilir çit için kilit civatası
36. Çit için ayar civatası
37. Ön eğim koruyucu
38. Konum kilitleme topuzu
39. Saplama vidası
40. Tespit civatası
41. Sıkma flanşı
42. Sıkma civatası
43. Milli kilit
44. İş parçası kelepçe topuzu
45. Ayarı için kullanılan tırtıllı somunu
46. LED Çalışma ışığı
47. Lazer kapak vidaları
48. Lazer ayar vidaları
49. 45° eğim açısı için kilitleme somunu
50. 0° eğim açısı için kilitleme somunu
51. Çit civataları

### 3. MONTAJ



*Makine üzerinde herhangi bir çalışma yapmadan önce, elektrik fişini prizden çekin.*

#### **Taşıma konumu (Şekil B, C)**

Konum kilitleme topuzu (38) elektrikli el aletini çeşitli çalışma alanlarına taşırken hareket ettirmeyi kolaylaştırır.

#### **Taşıma konumunun kilidinin açılması (Çalışma konumu)**

1. Tutamağı (2) aşağıya doğru hafifçe bastırın;
2. Konum kilitleme topuzunu (38) tamamen dışarı doğru çekin ve çevirerek yerine kilitleyin;
3. Tutamağı (2) yavaşça yukarı doğru hareket ettirin.

#### **Taşıma konumunun kilitlemesi (taşıma konumu)**

Taşıma konumuna kilitlemeden önce derinlik ayar civatasının (24) sınırsız derinliğe ayarlandığından emin olun. Bu şekilde, tutamak (2) derinlik durdurucuya dokunmadan tamamen aşağı doğru hareket ettirilebilir. Ayrıca, makineye sıkıca bağlanamayan tüm aksesuarları çıkarın.

1. Sıklırsa sürgülü rayların (29) kilitleme civatasını gevşetin;

2. Tutamağı (2) kendinize doğru çekin ve sürgülü raylar (29) için kilitleme civatasını sıkın;
3. Tutamağı (2) tam olarak aşağıya doğru bastırın;
4. Konum kilitleme topuzunu (38) önce çekip sonra çevirerek kilitleyin;
5. Elektrik kablosunu sarın ve ürünle birlikte verilen kablo kayışı ile bağlayın.

Taşıma konumunu kilitledikten sonra, makineyi güvenli bir şekilde taşımak ve nakletmek için taşıma kolunu (27) kullanın.



*Makineyi taşımak için sadece taşıma kolunu kullanın ve kesinlikle koruma siperlerini kullanmayın.*

#### **Sabit konumdaki bir makinenin kurulması (Şekil A, B, D)**

Güvenli kullanım için, alet kullanmadan önce düz ve dengeli bir çalışma yüzeyine (örneğin çalışma tezgahı) monte edilmelidir. Makineyi üç şekilde kurabilirsiniz:

##### **1. Bir çalışma tezgahı üzerine**

Bu durumda, makinenin uygun vidalı bağlantı elemanları kullanılarak tezgaha sabitlenmesi gerekir. Bunu yapmak için dört deliği (12) kullanın. Bu, Şekil D'de gösterilmektedir.

##### **2. Bir alt çerçeve üzerinde**



*Testere tezgahıyla birlikte verilen tüm uyarı ve talimatları okuyun. Bu uyarı ve talimatlara uyulmaması elektrik çarpması, yangın ve/veya ciddi yaralanma ile sonuçlanabilir*



*Elektrikli aleti monte etmeden önce testere tezgahını uygun şekilde monte edin. Devrilme riskini önlemek için doğru montaj önemlidir*

Bu durumda makine civatalarla alt çerçeveye sabitlenmelidir. Bunu yapmak için dört deliği (12) kullanın. Alt çerçeve, en az 1 metre kare boyutundaki taban plakasına 4 civata kullanılarak sabitlenmelidir. Elektrikli aleti testere tezgahına taşıma konumunda monte edin.

##### **3. Esnek kurulum**



*Bu tür bir kurulum üretici tarafından önerilmez.*

Bazı istisnai durumlarda, elektrikli el aletini düz ve sabit bir çalışma yüzeyine monte etmek mümkün değilse, eğim koruyucularıyla ayarlayarak geçici kurulum yapabilirsiniz.



*Eğim koruyucu olmadan, elektrikli el aleti sabit olmaz ve özellikle maksimum gönye ve/veya eğim açılarında kesim yapıldığında devrilebilir.*

- Altıgen anahtar kullanarak başsız vidayı (39) gevşetin. Arka eğim koruyucuyu (30) şekil E1 ve E2'de gösterildiği gibi tamamen dışarı doğru kaydırın. Şimdi, başsız vidayı (39) tekrar sıkın.
- Elektrikli el aleti, Şekil F'de gösterildiği gibi, ön çalışma yüzeyi üzerinde düz durana kadar eğim koruyucusunu (37) içeri veya dışarı doğru döndürün.

#### **Koruma siperinin kontrolü (Şekil A)**

Geri çekilebilir koruma siperi (5); testere bıçağı ile yanlışlıkla temasa ve etrafta uçuşan talaşlara karşı koruma sağlar. Kullanmadan önce, testere bıçağı koruma siperinin düzgün çalışıp çalışmadığı kontrol edilmelidir. Bunu yapmak için, tutamak kolunu (2) aşağı doğru çekin ve aşağıdakileri kontrol edin:

- Geriye çekilebilir koruma siperi (5), diğer parçalarla temas etmeden testere bıçağına (6) erişim sağlamalıdır.
- Testereyi başlangıç konumunda yukarı doğru katlarken, Geri Çekilebilir koruma siperinin (5) tüm testere bıçağına (6) otomatik olarak kaplaması gerekir.

#### **Testere bıçağının değiştirilmesi (Şekil G)**



*Makine üzerinde herhangi bir çalışma yapmadan önce, elektrik fişini prizden çekin.*



*Testere bıçağını monte ederken koruyucu eldiven kullanın. Testere bıçağına dokunulduğunda yaralanma tehlikesi.*



*Sadece kullanım talimatlarında verilen karakteristik verilere karşılık gelen testere bıçaklarını kullanın. Yalnızca, makinede işaretli hıza eşit veya daha yüksek bir hıza sahip olarak işaretli bıçakları kullanın.*



*Hiçbir koşulda kesici alet olarak taşlama disklerini kullanmayın.*

Testere bıçağını değiştirmeden önce, gönye açısı ve eğim açısını 0° konumuna ayarlamaz kesinlikle tavsiye edilir. Aksi takdirde, erişim sınırlı olabilir.

#### **Testere bıçağının çıkartılması**

1. Konum kilitleme düğmesini (38) kullanarak testereyi yukarı konumda kilitleyin;
2. Tespit civatasını (40), şekil G1'de gösterildiği gibi bir yıldız tornavida kullanarak gevşetin; UY-ARI! Tespit civatasını (40) tamamen çıkarmayın, sadece gevşetin.
3. Sıkma civatasına (42) şekil G2'de gösterildiği gibi serbestçe erişilene kadar, geri çekme koruyucu siperini (5) yukarı katlayın;
4. Altıgen anahtar sıkma civatasına (42) takın. Geri çekme koruyucu siperi (5) serbest bırakılabilir, siper altıgen anahtarın üzerine katlanır.
5. Sıkma civatasını (42) altıgen anahtarla (34) çevirin ve aynı zamanda mil kilidini (43) yerine oturana kadar bastırın.
6. Mil kilidini (43) sıkıca tutun ve sıkma civatasını (42) saat yönünde (soldan dışı) çevirerek gevşetin.
7. Sıkma civatasını (42) ve sıkma flanşını (41) sökün. Ardından testere bıçağı (6) çıkartılabilir.

#### **Testere bıçağının takılması**



*Testere bıçağını takarken, dişlerin kesme yönünün (testere bıçağındaki ok yönü) siperdeki (4) okun yönü ile aynı olduğundan emin olun.*



*Testere bıçağını (6) takarken, hem 0° hem de 45° açı ayarlarında çentik plakasında (13) serbestçe döndüğünü kontrol edin.*

1. Testere bıçağını ve monte edilecek tüm sıkıştırma parçalarını temizleyin.
2. Tespit civatasını (40), şekil G1'de gösterildiği gibi bir yıldız tornavida kullanarak gevşetin; UY-ARI! Tespit civatasını (40) tamamen çıkarmayın, sadece gevşetin.
3. Sıkma civatasına (42) şekil G2'de gösterildiği gibi serbestçe erişilene kadar, geri çekme koruyucu siperini (5) yukarı katlayın;
4. Altıgen anahtar sıkma civatasına (42) takın. Geri çekme koruyucu siperi (5) serbest bırakılabilir, siper altıgen anahtarın üzerine katlanır.
5. Sıkma flanşını (41) monte edin. Sıkma flanşının düz kenarlarının, bıçak milinin düz kenarlarına uygun olduğundan emin olun. Ayrıca sıkma

flanşının dışbükey tarafının dışarıya monte edildiğinden emin olun.

6. Sıkma civatasını (42) takın ve altıgen anahtarı kullanarak mil kilidini (43) yerine oturana kadar bastırarak çevirin.
7. Mil kilidini (43) sıkıca tutun ve sıkma civatasını (42) saatin tersi yöne çevirerek sıkın.

#### Toz emme (Şekil A, B, W, X)



*Çalışma alanında iyi havalandırma sağlayın.*



*Bir toz maskesi takın.*

Kurşun boya ve bazı ahşap türleri gibi malzemelerin tozları sağlığınıza zarar verebilir. Bu tozların solunması alerjik reaksiyonlara ve/veya kullanıcı veya yakın çevredeki insanlar açısından solunum sorunlarına neden olabilir. Meşe veya kayın ağacı tozu gibi bazı tozlar, özellikle ahşap işleme katkı maddeleri (kromat, ahşap koruyucu) ile birlikte, kanserojen maddeler olarak sınıflandırılır. Mümkün olan her yerde malzemeye uygun bir toz emme sistemi kullanılmasını şiddetle tavsiye ederiz.



*Çalışma alanında toz birikmesini önleyin. Toz kolayca tutuşabilir.*

Toz emme sistemi, toz, talaş veya ahşap parçalarıyla tıkanabilir. Bu nedenle, düzenli olarak temizlenmesi gerekir. Bunun için:

1. Şebeke fişini güç kaynağından çekin.
2. Testere bıçağı tamamen durana kadar bekleyin.
3. Gerekirse her türlü tıkanıklığı temizleyin

#### Toz torbasının monte edilmesi (Şekil W)

Toz torbasının (26) kelepçesine bastırın ve makinenin arkasındaki toz çıkışına (28) kaydırın. Kelepçe bırakıldığında toz torbası yerine oturur.

#### Bir elektrikli süpürgeyi bağlanması (Şekil X)



*Toz emici cihaz, çalışılacak malzeme açısından uygun olmalıdır.*



*Özellikle sağlığa zararlı veya kanserojen özelliğe sahip kuru tozları vakumla çekerken özel bir toz emici kullanın.*

Toz çıkışına (28) bir elektrikli süpürge hortumu bağlanabilir. Bunu yapmak için, elektrikli süpürge hortumunu toz emme ağzına takmanız yeterlidir.

## 4. ÇALIŞTIRMA



*Makineyi çalıştırmadan önce, testere bıçağının doğru şekilde takıldığından emin olun.*



*Bıçak sorunsuz dönüyor olmalıdır.*



*Kullanmadan önce koruma siperlerini daima kontrol edin.*



*Tüm kesimler için, öncelikle testere bıçağının çit, iş parçası kelepçesi veya diğer makine parçalarıyla temas etmemesi sağlanmalıdır. Monte edilmiş yardımcı durdurucuları çıkarın veya bunları uygun şekilde ayarlayın.*

#### İş parçasının desteklenmesi (Şekil H)

İş parçaları her zaman uygun şekilde desteklenmelidir. Tabla uzantıları (10), bir iş parçasını desteklemek için sola ve sağa uzatılabilir. Bunun için:

1. Tezgah uzantısı (34) kilitleme civatasını gevşetin;
2. Tezgah uzantısını (10) istediğiniz konuma getirin;
3. Tezgah uzantısı (34) kilitleme civatasını sıkın.

Ekstra uzun iş parçalarını keserken, uzun iş parçalarının serbest ucunun altında ayrıca yerleştirilmiş veya desteklenmiş bir şey bulunmalıdır.

#### İş parçasının kelepçelenmesi (Şekil H)

İş parçaları daima sağlam şekilde kelepçelenmelidir. İş parçası kelepçesi (21), bir iş parçasının soluna ve sağına koyulabilir. Bunun için:

1. İş parçasının çite (9) sıkıca bastırıldığından emin olun;
2. Verilen iş parçası kelepçesini (21), Şekil H'de görülebileceği gibi, bu amaçla mevcut olan deliklerden birine takın;
3. İş parçası kelepçesinin (21) dişli çubuğunu iş parçasının yüksekliğine ayarlayın;
4. İş parçasını yerine sabitlemek için iş parçası kelepçesinin (21) dişli çubuğunu iyice sıkın. Gevşetmek için, sadece iş parçası kelepçesinin (21) dişli çubuğunu gevşetmeniz yeterlidir.

İş parçası kelepçesinin (21) yüksekliğini daha hızlı ayarlamak için, iş parçası kelepçesi topuzu (44) kullanılabilir. Yüksekliği ayarladıktan sonra iş parçasını yerine sabitlemek için daima iş parçası kelepçesinin (21) dişli çubuğunu iyice sıkın.

### Çitin ayarlanması (Şekil H)



Çiti daima belirli bir kesim tipine ayarlayın.

Gönye ve/veya eğimli açılarla keserken, ayarlanabilir çiti (7) kesme yönüne bağlı olarak hareket ettirmelisiniz. Bu şekilde, iş parçası her koşul altında çit tarafından daima uygun şekilde desteklenir. Bunun için:

1. Ayarlanabilir çitin (35) kilitleme civatasını gevşetin;
2. Çiti istediğiniz kesime göre ayarlayın. Gönye veya düz kesimler için, çit içe, bıçağa doğru (mks 8 mm) bıçağa temas etmeksizin hareket ettirilmelidir. Eğimli kesimler için, çit içe, bıçaktan uzağa doğru (mks 8 mm) bıçağa temas etmeksizin hareket ettirilmelidir;
3. Ayarlanabilir çitin (35) kilitleme civatasını sıkın;
4. Bıçağın ayarlanabilir çite (35) temas etmediğinden emin olmak için bıçağın hareketinin, makineyi çalıştırmaksızın, test edilmesi önerilir.

### Gönye açısının ayarlanması (Şekil A)

Gönye açısı, 45° sol taraf ve 45° sağ taraf arasında ayarlanabilir. Yaygın olarak kullanılan gönye açılarının hızlı ve hassas bir şekilde ayarlanması için, testere tezgahında 0°, 15°, 22,5°, 30° ve 45° açılarda ön ayar sağlanır.

#### Gönye açısının bir ön ayara ayarlanması:

1. Gönye ayar topuzunu (14) gevşetin;
2. Gönye ayar kolunu (15) itin ve tezgahı (11) sola veya sağa istediğiniz ön ayara döndürün. Açı, gönye açısı (17) için gösterge kullanılmak üzere gönye açısı (16) ölçeğinde okunabilir.
3. Kolu bırakın. Ön ayar çentiğine oturması kolda hissedilmelidir.
4. Gönye ayar topuzunu (14) sıkın.

#### Gönye açısının istenen herhangi bir açığa ayarlanması:

1. Gönye ayar topuzunu (14) gevşetin;
2. Gönye ayar kolunu (15) çekin ve tezgahı (11) sol veya sağda istediğiniz konuma döndürün. Açı, gönye açısı (17) için gösterge kullanılmak üzere gönye açısı (16) ölçeğinde okunabilir.
3. Kolu bırakın ve gönye ayar topuzunu (14) sıkın.

### Eğim açısının ayarlanması (Şekil A, B)

Eğim açısı sola doğru 0° ve +45° arasında ayarlanabilir. Bunun için:

1. Eğim ayar topuzunu (22) gevşetin;
2. Gösterge (19) eğim açısı ölçeğinde (20) istenen değeri gösterene kadar tutamağı (2) kullanarak testereyi eğin;
3. Eğim ayar topuzunu sıkın (22).

### Makinenin açılması/kapatılması (Şekil A)

- Makineyi çalıştırmak için, kilitleme düğmesine (1) basılı tutun ve açma/kapama düğmesine (3) basın.
- Makineyi durdurmak için açma/kapama düğmesini (3) bırakın.

### Bir boydan boya kesim yapma (Şekil I, J)

Ahşabın damarına dik kesim yapmak için aşağıdaki adımları takip edin:

1. Gönye açısını istenen konuma ve eğim açısını 0°'ye ayarlayın;
2. Ayarlanabilir çiti iç konuma, bıçağa doğru getirin. Ayarlanabilir çit (35) ve testere bıçağı (6) arasındaki maksimum mesafe, şekil I'de gösterildiği gibi 8 mm'dir. Çitin bıçağa temas etmediğinden emin olun.
3. İş parçasını kelepçe ile sıkıca sabitleyin;
4. Makineyi çalıştırın. Testere bıçağının tam hıza ulaştığından emin olun;
5. Şimdi tutamağı testere bıçağı iş parçasını kesecek ve tezgahdaki yuvadan geçecek şekilde yavaşça aşağı doğru çekin. Testere üzerine fazla baskı uygulamayın, bırakın işi alet yapсын;
6. Kolu hafifçe yukarı kaldırın ve düğmeye basmayı bırakarak aleti kapatın.

### Bir gönye kesim yapma (Şekil J, K)

Ahşabın yüzeyine doğru, açılı bir kesim yapmak için aşağıdaki adımları takip edin:

1. Gönye açısını istenen konuma, eğim açısını 0°'ye ayarlayın;
2. Ayarlanabilir çiti iç konuma, bıçağa doğru getirin. Ayarlanabilir çit (35) ve testere bıçağı (6) arasındaki maksimum mesafe, şekil I'de gösterildiği gibi 8 mm'dir. Çitin bıçağa temas etmediğinden emin olun.
3. İş parçasını kelepçe ile sıkıca sabitleyin;
4. Makineyi çalıştırın. Testere bıçağının tam hıza ulaştığından emin olun;
5. Şimdi tutamağı testere bıçağı iş parçasını kesecek ve tezgahdaki yuvadan geçecek şekilde

yavaşça aşağı doğru çekin. Testere üzerine fazla baskı uygulamayın, bırakın işi alet yapsın;

6. Kolu hafifçe yukarı kaldırın ve düğmeye basmayı bırakarak aleti kapatın.

#### **Bir açılı kesim yapma (Şekil L, M)**

Ahşabın kenarına doğru, açılı bir kesim yapmak için aşağıdaki adımları takip edin:

1. Gönye açısını 0°'ye ve eğim açısını istenen konuma ayarlayın;
2. Ayarlanabilir çiti dış konuma, bıçaktan uzağa doğru alın. Ayarlanabilir çit (35) ve testere bıçağı (6) arasındaki maksimum mesafe, şekil L'de gösterildiği gibi 8 mm'dir. Çitin bıçağa temas etmediğinden emin olun.
3. İş parçasını kelepçe ile sıkıca sabitleyin. İş parçası kelepçesinin sağ tarafa yerleştirildiğinden emin olun;
4. Makineyi çalıştırın. Testere bıçağının tam hıza ulaştığından emin olun;
5. Şimdi tutamağı testere bıçağı iş parçasını kesecek ve tezgahdaki yuvadan geçecek şekilde yavaşça aşağı doğru çekin. Testere üzerine fazla baskı uygulamayın, bırakın işi alet yapsın;
6. Kolu hafifçe yukarı kaldırın ve düğmeye basmayı bırakarak aleti kapatın.

#### **Bir bileşik kesim yapma (Şekil M, N)**

Gönye ve açılı kesimin bir kombinasyonunu oluşturmak için aşağıdaki adımları izleyin:

1. Gönye açısını belirleyin ve eğim açısını istenen konuma ayarlayın;
2. Ayarlanabilir çiti dış konuma, bıçaktan uzağa doğru alın. Ayarlanabilir çit (35) ve testere bıçağı (6) arasındaki maksimum mesafe, şekil L'de gösterildiği gibi 8 mm'dir. Çitin bıçağa temas etmediğinden emin olun.
3. İş parçasını kelepçe ile sıkıca sabitleyin. İş parçası kelepçesinin sağ tarafa yerleştirildiğinden emin olun;
4. Makineyi çalıştırın. Testere bıçağının tam hıza ulaştığından emin olun;
5. Şimdi tutamağı testere bıçağı iş parçasını kesecek ve tezgahdaki yuvadan geçecek şekilde yavaşça aşağı doğru çekin. Testere üzerine fazla baskı uygulamayın, bırakın işi alet yapsın;
6. Kolu hafifçe yukarı kaldırın ve düğmeye basmayı bırakarak aleti kapatın.

#### **Kaydırma fonksiyonunun kullanılması**

Ekstra geniş iş parçaları için, makinede bir kaydırma fonksiyonu mevcuttur. Kaydırma fonksiyonunu kullanırken, sürgülü rayların (29) kilitleme civatasını gevşettiğinizden emin olun. Testere bıçağı iş parçasının önüne gelene kadar tutamağı (2) çitten (9) uzağa çekin. Tutamağı kullanarak alet kolunu yavaşça aşağı doğru yönlendirin ve daha sonra tutamağı (2) çite (9) doğru itin ve iş parçasında düzgün besleme ile kesme işlemini yapın.

Küçük iş parçaları için, sürgülü rayların (29) kilitleme civatası ile kaydırma fonksiyonunu testerenin arka konumunda sabitlemek mümkündür. Daha büyük bir kesme genişliği isteniyorsa, sürgülü rayların (29) kilitleme civatasını gevşetmek gerekir.

#### **Uzunluk durdurucu kullanma (Şekil O)**

Hem sol hem de sağ tezgah uzantılarındaki (10) uzunluk durdurucu (8), iş parçalarını aynı uzunlukta kolayca kesmek için kullanılabilir.

1. Uzunluk durdurucuyu (8) yukarı hareket ettirin;
2. Tezgah uzantısı (34) kilitleme civatasını gevşetin;
3. Tezgah uzantısını (10) istediğiniz uzunluğa ayarlayın.
4. Tezgah uzantısı (34) kilitleme civatasını sıkın.

#### **Derinlik durdurucunun ayarlanması (Şekil P)**

Kesme derinliğini sınırlamak amacıyla derinlik durdurucu ayarlanabilir. Bu, testere ile kolayca bir oluk açmak için kullanılabilir. Bunun için:

1. Derinlik ayarı için kullanılan tırtıllı somunu (45) gevşetin;
2. Derinlik ayar topuzuyla (24) istenen derinliği ayarlayın;
3. Derinlik ayarı için kullanılan tırtıllı somunu (45) sıkın.

#### **Lazerin açılması/kapatılması (Şekil B)**

Lazeri açmak veya kapatmak için lazer düğmesine (46) basın. Lazer düğmesi (46) aynı zamanda LED çalışma ışığını da açar.

#### **İnce ayar**



*Herhangi bir ayar yapmadan önce şebeke elektrik fişini ayırın.*

Hassas bir kesim yapabilmek için, ilk kullanımdan önce ve ayrıca yoğun kullanımdan sonra testerenin temel ayarları kontrol edilmeli ve yeniden düzenlenmelidir. Bunun için uygun özel aletler gereklidir.

Ferm satış sonrası ekibi bu çalışmanın hızlı ve güvenilir bir şekilde yapılmasına yardımcı olacaktır.

#### Lazerin ince ayarı (Şekil Q)

Not: Lazer işlevini test etmek için elektrikli aletin güç kaynağına bağlı olması gerekir.



*Lazeri ayarlarken (örn. alet kolunu hareket ettirirken), kesinlikle açma/kapama düğmesine basmayın. Elektrikli el aletinin yanlışlıkla çalıştırılması yaralanmalara neden olabilir.*

Lazer (18) doğru kesim çizgisini göstermeyi bırakır- sa, lazeri yeniden ayarlayabilirsiniz. Bunun için:

1. Ön kapağı çıkarmak için kapak vidalarını (47) açın;
2. Lazer ayar vidalarını (48) gevşetin ve lazeri, lazer ışını testere bıçağının (6) dişlerine yansıyana kadar hareket ettirerek ayarlayın;
3. Her iki kapak vidasını da (47) sıkarak ön kapağı takın.

#### 0° eğim açısının ince ayarı (Şekil R,S)

1. Gönye ve eğim açısını 0°'ye ayarlayın;
2. Tutamağı (2) indirin ve konum kilitleme topuzunu (38) kullanarak sabitleyin;
3. Sürgülü raylar (29) için kilitleme civatasını kullanarak kaydırma hareketini kilitleyin;
4. Bir açı göstergesini 90°'ye ayarlayın ve Şekil Q'da gösterildiği gibi tezgahın (11) üzerine yerleştirin. Açı göstergesinin ayağı, tüm uzunluğu boyunca testere bıçağı (6) ile aynı hizada olmalıdır;
5. 0° eğim açısı kilitleme somununu ( 50) gevşetin;
6. 0° eğim açısı (32) durdurma civatasını açı göstergesinin ayağı testere bıçağı ile tüm uzunluğu boyunca aynı hizada oluncaya kadar ayarlayın;
7. 0° eğim açısı kilitleme somununu ( 50) geri sıkın.

Ardından açı göstergesinin (19) konumunu kontrol edin. Gerekirse bir yıldız tornavida kullanarak işaretçiyi gevşetin, eğim açısı (20) ölçeğinde 0° konumuna getirin ve tespit vidasını tekrar sıkın.

#### 45° eğim açısının ince ayarı (Şekil R,T)

1. Gönye ve eğim açısını 45°'ye ayarlayın;
2. Tutamağı (2) indirin ve konum kilitleme topuzunu (38) kullanarak sabitleyin;
3. Sürgülü raylar (29) için kilitleme civatasını kul-

- lanarak kaydırma hareketini kilitleyin;
4. Bir açı göstergesini 90°'ye ayarlayın ve Şekil R'de gösterildiği gibi tezgahın (11) üzerine yerleştirin. Açı göstergesinin ayağı, tüm uzunluğu boyunca testere bıçağı (6) ile aynı hizada olmalıdır;
5. 45° eğim açısı kilitleme somununu (49) gevşetin;
6. 45° eğim açısı (31) durdurma civatasını açı göstergesinin ayağı testere bıçağı ile tüm uzunluğu boyunca aynı hizada oluncaya kadar ayarlayın;
7. 45° eğim açısı kilitleme somununu (49) geri sıkın.

Ardından açı göstergesinin (19) konumunu kontrol edin. Gerekirse bir yıldız tornavida kullanarak işaretçiyi gevşetin, eğim açısı (20) ölçeğinde 45° konumuna getirin ve tespit vidasını tekrar sıkın.

#### 0° gönye açısının ince ayarı (Şekil U, V)

1. Bir açı göstergesini tezgahın üzerinde (11) 0°'ye ayarlayın ve çit (9) ile testere bıçağı (6) arasında yerleştirin;
2. Açı göstergesinin ayağı, tüm uzunluğu boyunca testere bıçağı (6) ile aynı hizada olmalıdır;
3. Dört çit civatasının (51) tümünü gevşetin ve çiti (9), açı göstergesinin ayağı testere bıçağı ile tüm uzunluğu boyunca aynı hizada oluncaya kadar ayarlayın;
4. Dört çit civatasının (51) tümünü tekrar sıkın. Ardından açı göstergesinin konumunu kontrol edin (17). Gerekirse bir yıldız tornavida kullanarak işaretçiyi gevşetin, gönye açısı (16) ölçeğinde 0° konumuna getirin ve tespit vidasını tekrar sıkın.

## 5. BAKIM



*Mekanizmada bakım yaparken makine fişinin prize bağlı olmadığından daima emin olun.*

Makine kaplamalarını yumuşak bir bezle, tercihen her kullanımdan sonra düzenli olarak temizleyin. Havalandırma deliklerinin toz ve kirden arınmış olduğundan emin olun. Çok inatçı kirleri sabun köpüğüyle ıslatılmış yumuşak bir bezle çıkarın. Benzin, alkol, amonyak vs. gibi çözücü maddeleri kullanmayın. Bunlar gibi kimyasallar sentetik bileşenlere zarar verecektir.



### Koruma siperlerinin temizlenmesi

Makineyi kullanmadan önce koruma siperini (4) ve geri çekilebilir koruma siperini (5) kir birikmesi açısından daima kontrol edin. Bir fırça veya benzeri bir alet kullanarak eski talaş ve ahşap parçalarını temizleyin.

### Tezgah ek parçasının değiştirilmesi



*Hasar görmüş tezgah ek parçalarını hemen değiştirin.*

Hasar görmüş bir tezgah ek parçasında (13), küçük parçaların tezgah ek parçası ile testere bıçağı arasında sıkışması ve testere bıçağının çalışmasının engellenmesi ihtimali mevcuttur. Tezgah ek parçasını değiştirmek için:

1. Tezgah ek parçasının vidalarını bir yıldız tornavida kullanarak çıkartın. Gerekirse, gönye ve eğim açısını bu vidalara erişecek şekilde ayarlayın;
2. Tezgah ek parçasını çıkartın;
3. Yeni bir tezgah ek parçası takın;
4. Bir yıldız tornavida kullanarak vidaları skin.

### Sürgülü raylar

Kir, sürgülü raylara (25) ve dolayısıyla makinenin çalışmasına zarar verebilir.

- Sürgülü rayları yumuşak bir bezle düzenli olarak temizleyin;
- Sürgülü rayların üzerine biraz yağ dökün;
- Yağın tüm rayların üzerine yayılması için gönye testereyi ileri ve geri hareket ettirin.

## ÇEVRE



*Arızalı ve/veya atılmış elektrikli veya elektronik ekipmanların uygun geri dönüşüm konularında toplanması gerekir.*

### Yalnızca AT ülkeleri için

Elektrikli aletleri evsel atık olarak atmayın. Atık Elektrikli ve Elektronik Donanım için Avrupa İlkeleri 2012/19/EU'ya ve bunun yerel hukuk çerçevesinde uygulamasına göre, artık kullanılamaz olan elektrikli aletler ayrı olarak toplanmalı ve çevre dostu bir yolla imha edilmelidir.

## GARANTİ

VONROC ürünleri yüksek kalite standartları doğrultusunda geliştirilmiştir ve ilk satın alımdan itibaren kanunen belirlenen süre boyunca materyal ve işçilik

açısından kusursuz olacağı garanti edilmektedir. Bu süre zarfında, kusurlu materyal ve/veya işçilikten dolayı üründe herhangi bir arıza meydana gelmesi durumunda, doğrudan VONROC iletişim kurun.

Takip eden durumlar bu garanti kapsamı dışındadır:

- Yetkisiz servis merkezleri tarafından yapılan veya yapılmaya teşebbüs edilen onarım ve/veya değişiklikler.
- Normal aşınma ve eskime.
- Cihazın kötü ve yanlış kullanılması veya cihaza yanlış bakım yapılması.
- Orijinal olmayan yedek parçaların kullanılması

Bu, şirket tarafından açık ya da zımni verilmiş tek garantiyi oluşturur. Belirli bir amaç için ticarete elverişlilik ve uygunluğun zımni garantileri dahil dış görünüşünün ötesine uzanan açık veya zımni başka hiçbir garanti yoktur. VONROC herhangi bir arıza veya dolaylı zarardan hiçbir halükarda sorumlu olmayacaktır. Bayilerin getireceği çözümler uygunsuz birimlerin veya parçaların onarımı veya değiştirilmesiyle sınırlı olacaktır.

### Ürün ve kullanıcı kılavuzu değişikliğe tabidir.

**Spesifikasyonlar başka bir uyarı olmaksızın değiştirilebilir.**





## DECLARATION OF CONFORMITY MS502AC - SLIDING MITRE SAW

- (EN) We declare under our sole responsibility that this product is in conformity with directive 2011/65/EU of the European parliament and of the council of 8 June on the restriction of the use of certain hazardous substances in electrical and electronic equipment is in conformity and accordance with the following standards and regulations:
- (DE) Der Hersteller erklärt eigenverantwortlich, dass dieses Produkt der Direktive 2011/65/ EU des Europäischen Parlaments und des Rats vom 8. Juni 2011 über die Einschränkung der Anwendung von bestimmten gefährlichen Stoffen in elektrischen und elektronischen Geräten entspricht. den folgenden Standards und Vorschriften entspricht:
- (NL) Wij verklaren onder onze volledige verantwoordelijkheid dat dit product voldoet aan de conform Richtlijn 2011/65/EU van het Europees Parlement en de Raad van 8 juni 2011 betreffende beperking van het gebruik van bepaalde gevaarlijke stoffen in elektrische en elektronische apparatuur en in overeenstemming is met de volgende standaarden en reguleringen:
- (FR) Nous déclarons sous notre seule responsabilité que ce produit est conforme aux standards et directives suivants: est conforme à la Directive 2011/65/EU du Parlement Européen et du Conseil du 8 juin 2011 concernant la limitation d'usage de certaines substances dangereuses dans l'équipement électrique et électronique.
- (ES) Declaramos bajo nuestra exclusiva responsabilidad que este producto cumple con las siguientes normas y estándares de funcionamiento: se encuentra conforme con la Directiva 2011/65/UE del Parlamento Europeo y del Consejo de 8 de junio de 2011 sobre la restricción del uso de determinadas sustancias peligrosas en los equipos eléctricos y electrónicos.
- (IT) Dichiariamo, sotto la nostra responsabilità, che questo prodotto è conforme alle normative e ai regolamenti seguenti: è conforme alla Direttiva 2011/65/UE del Parlamento Europeo e del Consiglio dell'8 giugno 2011 sulla limitazione dell'uso di determinate sostanze pericolose nelle apparecchiature elettriche ed elettroniche.
- (PL) Deklarujemy na własną odpowiedzialność, że ten produkt spełnia wymogi zawarte w następujących normach i przepisach: jest zgodny z Dyrektywą 2011/65/UE Parlamentu Europejskiego i Rady z dnia 8 czerwca 2011 r. w sprawie ograniczenia stosowania niektórych niebezpiecznych substancji w sprzęcie elektrycznym i elektronicznym.
- (TR) Tek sorumlusu biz olmak üzere bu ürünün Avrupa Parlamentosunun 2011/65/EU ve 8 Haziran 2011 tarihli konseyin elektrikli ve elektronik ekipmanlarda belirlenmiş tehlikeli malzeme kullanımının kısıtlanması hakkındaki talimatları ile birlikte aşağıda belirtilen standart ve yönergelere uygun ve uyumlu olduğunu beyan ederiz:

**EN62841-1, EN62841-3-9, EN55014-1, EN55014-2, EN61000-3-2, EN61000-3-11, EN60825-1, 2006/42/EC, 2014/30/EU, 2011/65/EU, 2012/19/EU, EN ISO 12100**

Zwolle, 01-05-2020

H.G.F Rosberg  
CEO

**VONROC • Lingenstraat 6 • 8028 PM Zwolle • The Netherlands**



**VONROC®**  
BUILD YOUR FUTURE

©2020 VONROC  
[WWW.VONROC.COM](http://WWW.VONROC.COM)

2005-04