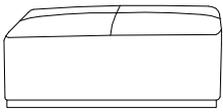
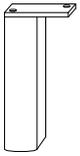
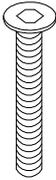
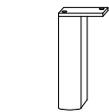
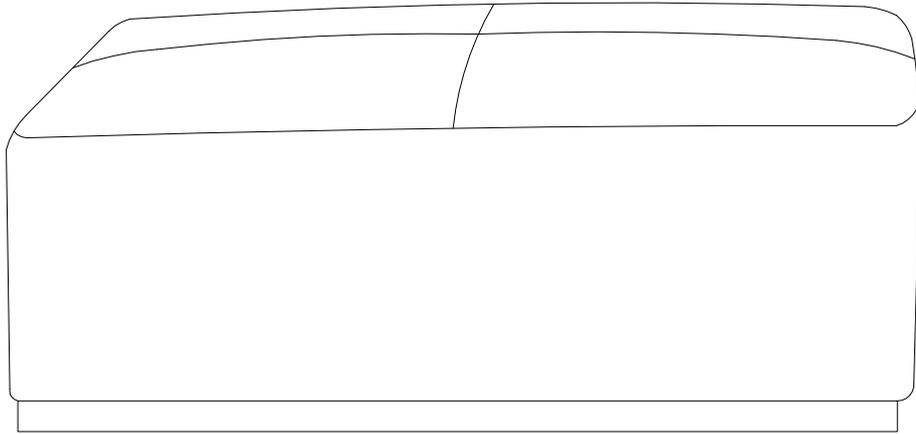


Diagram illustrating assembly instructions and safety warnings:

- Warning 1:** A triangle with an exclamation mark points to a box containing:
  - An L-shaped metal bracket.
  - A power drill with a slash through it, indicating that a power drill should not be used.
- Warning 2:** A triangle with an exclamation mark points to a box containing:
  - A rectangular block being placed on a surface.
  - A diagram showing a block being cut or drilled with a slash through it, indicating that cutting or drilling is not allowed.
- Time:** A clock icon is shown next to the text "10'".
- Personnel:** A person icon is shown next to the text "2".

<b>A</b>	<b>B</b>	<b>C</b>	<b>D</b>
			
<b>x 1</b>	<b>x 4</b>	<b>x 8</b>	<b>x 1</b>

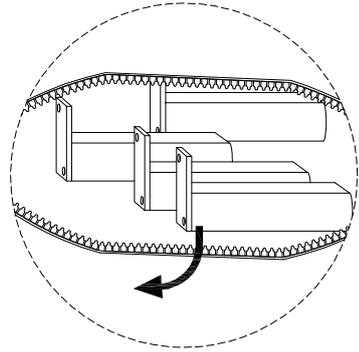
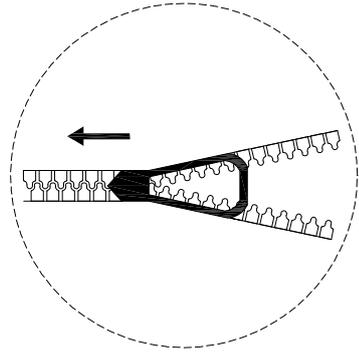
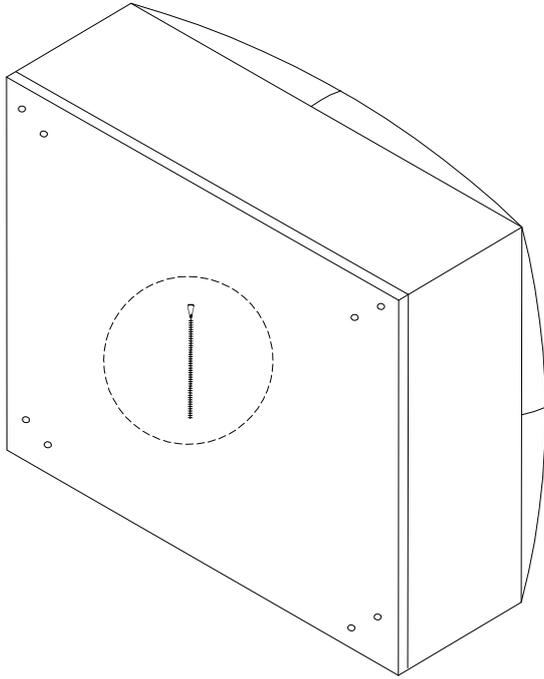
**A**



**B x 4**



!



1

