

CREATE

WINDLIGHT CUP DC

✓ LED



✗ LED



CEILING FAN SUMMER-WINTER FUNCTION
VENTILADOR DE TECHO FUNCIÓN VERANO-INVIerno

USER MANUAL

INDEX

ENGLISH

Parts list	6
Safety instructions	7
Installation instructions	7
Installation preparation	7
Downrod installation	8
Fixing the mounting bracket	8
Assembling and hanging the fan	9
Remote control connection	10
Canopy assembly	11
Blades assembly	11
Connections panel assembly	12
Ceiling fan with LED light	12
LED panel and shade assembly	12
Ceiling fan without LED light	13
Decorative cover assembly	13
Check the installation	13

PORTUGUÊS

Lista de peças	22
Instruções de segurança	23
Instruções de instalação	23
Preparação da instalação	24
Instalar a barra de suspensão	24
Fixação do suporte de montagem	25
Montagem e pendura do ventilador	25
Ligação do comando à distância	26
Montagem do canopi	27
Montagem dos pás	27
Montagem do painel	28
Ventilador de teto com luz led	28
Montagem do painel LED e da tampa decorativa	28
Ventilador de teto sem luz led	29
Montagem da tampa decorativa	29
Verifique a instalação	29

ESPAÑOL

Lista de piezas	14
Instrucciones de seguridad	15
Instrucciones de instalación	15
Preparación de la instalación	16
Preparación de la ubicación del ventilador	16
Instalación del soporte de montaje	16
Montaje y colgado del ventilador	17
Conexión de mando a distancia	18
Montaje de Forón	19
Montaje de las aspas	19
Montaje de panel de conexiones	20
Ventilador de techo con luz led	20
Montaje del panel LED y de la pantalla decorativa	20
Ventilador de techo sin luz led	21
Montaje de la tapa decorativa	21
Comprobar la instalación	21

FRANÇAIS

Liste des pièces	30
Consignes de sécurité	31
Consignes d'installation	31
Préparation de l'installation	32
Installation de la barre de suspension	32
Installation du support	33
Connexion de la barre de suspension au boîtier du moteur	33
Connexion de la télécommande	34
Montage du canopy	35
Montage des pales	35
Montage du panneau de brassage	36
Ventilateur de plafond avec lumière LED	36
Montage du panneau LED et de l'écran décoratif	36
Ventilateur de plafond sans lumière LED	37
Assemblage du couvercle décoratif	37
Vérifiez l'installation	37

ITALIANO

Lista de peças	38
Istruzioni di installazione	39
Istruzioni di sicurezza	39
Préparation de l'installation	40
Installazione della barra di sospensione	40
Installazione del supporto di montaggio	41
Collegamento della barra di sospensione all'alloggiamento del motore	41
Connessione al telecomando	42
Montaggio della calotta	43
Montaggio delle pule	43
Montaggio del pannello patch	44
Ventilatore da soffitto con luce led	44
Montaggio del pannello LED e dello schermo decorativo	44
Ventilatore da soffitto senza luce led	45
Assemblaggio della copertura decorativa	45
Controllo l'installazione	45

NEDERLANDS

Onderdelen lijst	54
Veiligheidsinstructies	55
Installatie instructies	55
Instalatie voorbereiding	56
De locatie van de ventilator voorbereiden	56
Montagebeugel installatie	57
Opvangstangverbinding met motorbehuizing	57
Afstandsbediening verbinding	58
Montage van de rozet	59
De Blad in elkaar zetten	60
Montage van het patchpaneel	60
Plafondventilator met led-licht	60
Montage van het LED paneel en het decoratieve scherm	60
Plafondventilator zonder led-licht	61
De decoratieve hoek monteren	61
Controleren de installatie	61

DEUTSCH

Teilleiste	46
Sicherheitsanweisungen	47
Installationsanweisungen	47
Vorbereitung der Installation	48
Aufhängungstange einbauen	48
Anbringen der Montagehalterung	49
Anschließen der Aufhängungstange an das Motorgehäuse	49
Verbindung über Fernbedienung	50
Anbringen der Rosette	51
Anbringen der Flügel	51
Montage des Patchpanels	52
Deckerventilator mit LED-Licht	52
Montage des LED-Panels und des dekorativen Blendschirms	52
Deckerventilator ohne LED-Licht	53
Zusammenbau der dekorativen Abdeckung	53
Überprüfen Sie die Installation	53

POLSKI

Lista części	62
Instrukcje bezpieczeństwa	63
Instrukcje instalacji	63
Przygotowanie do instalacji	64
Przygotowanie lokalizacji wentylatora	64
Montaż wspornika montażowego	65
Montaż i zawieszenie wentylatora	65
Podłączenie zasilającego sterownika	66
Montaż rozety	67
Montaż łopatek	67
Montaż panelu kropkowego	68
Wentylator sufitowy z oświetleniem LED	68
Montaż panelu LED i ekranu dekoracyjnego	68
Wentylator sufitowy bez światła LED	69
Montaż ozdobnej osłony	69
Sprawdź instalację	69

ENGLISH

Thank you for choosing our ceiling fan. Before using the appliance, and to ensure the best use, carefully read these instructions.

The safety precautions enclosed herein reduce the risk of death, injury and electrical shock when correctly adhered to. Keep the manual in a safe place for future reference, along with the completed warranty card, purchase receipt and package. If applicable, pass these instructions on to the next owner of the appliance. Always follow basic safety precautions and accident-prevention measures when using an electrical appliance. We assume no liability for customer failing to comply with these requirements.

PARTS LIST

Carefully open the packaging and remove all the items included. Place them on a carpet or a big piece of plastic to avoid any damage.

Check that all the items listed below have been included.



Ceiling Canopy



Downrod & hanger ball



Downrod



Expansion screws



Mounting Bracket



Remote control



Motor



Decorative element



Blades



Connections pane.

Option with light:



Decorative shade

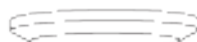


LED panel

Option without light:



Fixing screws



Decorative cover

SAFETY INSTRUCTIONS

When using any electrical appliance, basic safety precautions should always be observed.

- Read this entire manual carefully before beginning installation. Save this instructions.
- Use only original replacement parts.
- To reduce the risk of personal injury, attach the fan directly to the support structure of the building according to these instructions, and use only the hardware supplied.
- To avoid possible electrical shock, before installing your fan, disconnect the power by turning off the circuit breakers to the outlet box and associated wall switch location. If you cannot lock the circuit breakers in the off position, securely fasten a prominent warning device, such as a tag, to the service panel.
- All wiring must be in accordance with national and local electrical codes and ANSI/NFPA 70. If you are unfamiliar with wiring, use a qualified electrician.
- To reduce the risk of personal injury, do not bend the blade attachment system when installing, balancing, or cleaning the fan.
- Never insert foreign objects between rotating fan blades.
- To reduce the risk of fire, electrical shock, or motor damage, do not use a solid-state speed control with this fan. Use only original speed controls.
- This appliance can be used by children aged from 8 years old and above and persons with reduced physical, sensory or mental capabilities or lack of experience and knowledge if they have been given supervision or instruction concerning use of the appliance in a safe way and understand the hazards involved. Children shall not play with the appliance. Cleaning and user maintenance shall not be made by children unless they are older than 8 and supervised. Close supervision is necessary when any appliance is used by or near children.

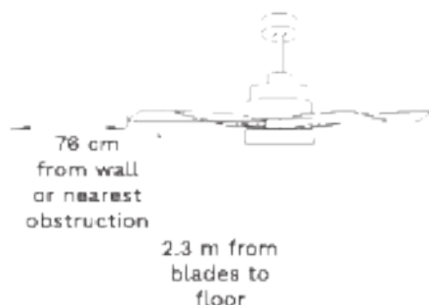
NOTE: The important safety precautions and instructions appearing in the manual are not meant to cover all possible conditions and situations that may occur. It must be understood that common sense and caution are necessary factors in the installation and operation of this fan.

INSTALLATION INSTRUCTIONS

- Mark the correct position of the holes and fix the ceiling bracket using the screws with metal anchor or screws and washers suitable for the type of ceiling chosen.
- Check the correct installation of the bracket before hanging the fan. This plate must support the full weight of the fan.

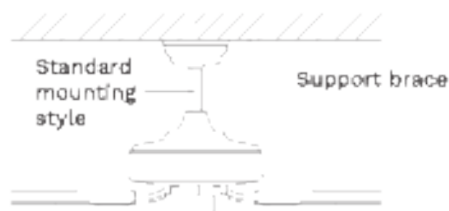
INSTALLATION PREPARATION

- To prevent personal injury and damage, ensure that the hanging location allows the blades a clearance of 2.3 m from the floor and 76 cm from any wall or obstruction.
- Be sure the outlet box is securely attached to the building structure and can support the full weight of the fan.

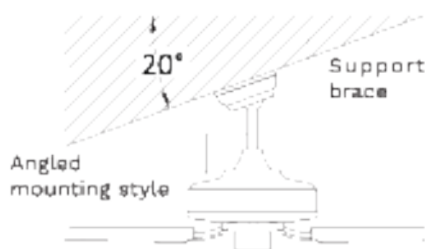


DOWNROD INSTALLATION

- Choose the suspension bar that best suits your situation.
- Remove the bar bolt, removing the pin, and pass the canopy (roof trim) and the engine canopy through the suspension bar. Next, route the fan motor cables through the inside of the suspension bar. Tighten the suspension bar to the engine and insert the bolt and pin.



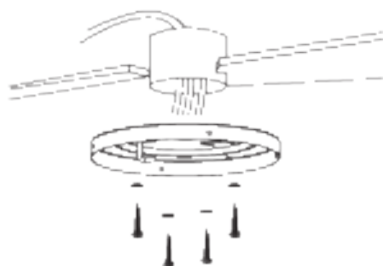
Standard Mounting hangs from the ceiling by a downrod.



Angled mounting recommended for a vaulted or angled ceiling.

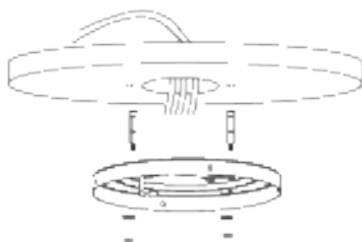
FIXING THE MOUNTING BRACKET

- The outlet box and joist must be securely mounted and capable of reliably supporting at least the weight of the fan.



Wooden ceiling

Securely attach the mounting bracket with wood screws and washers to the ceiling joists.

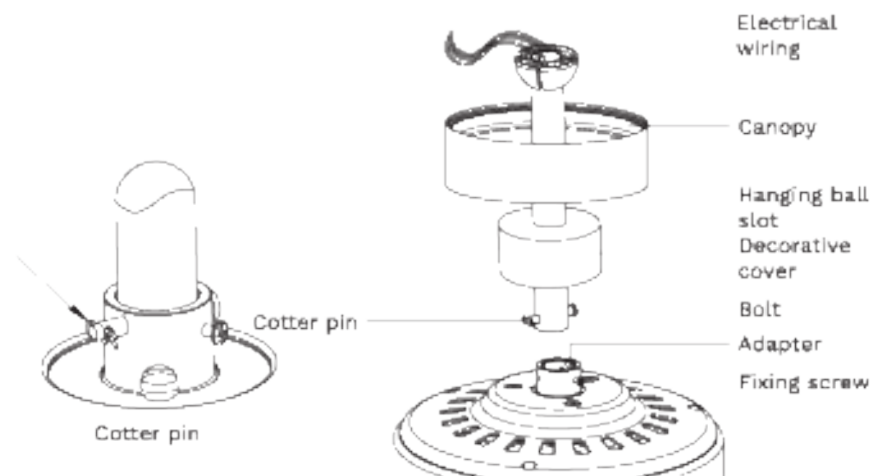


Concrete ceiling

Bore holes with an 8mm drill, according to the length of the expansion screws. After that, fix the mounting bracket to the ceiling with the expansion screws.

Don't fix the mounting bracket directly on ceilings thinner than 10mm to avoid the risk of the screw coming loose.

ASSEMBLING AND HANGING THE FAN



- If you wish to extend the hanging length of your fan, you must remove the hanging ball from the downrod provided to use with an extended downrod (included).

(If you wish to use the downrod, please proceed to instructions below.)

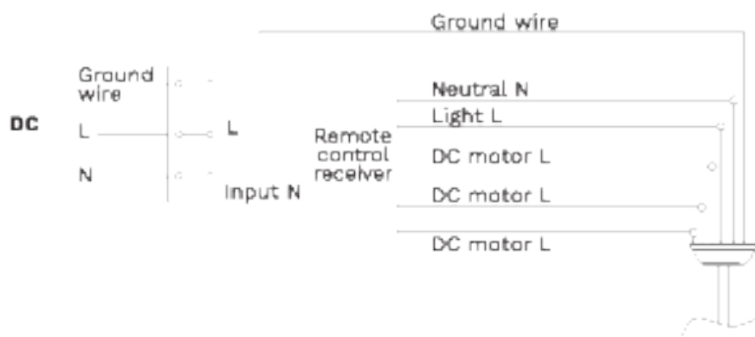
- To remove the hanging ball, loose the set screw on the hanging ball and remove the pin and bolt. Lower hanging ball and remove stop pin. Slide hanging ball off the original downrod, and slide it down the longer downrod (the top of the downrod should be noted as having a fixing screw hole; use this hole when setting the fixing screw).
- Insert stop pin into top of extended downrod and raise hanging ball.
- Be sure that the stop pin aligns with the slots on the inside of the hanging ball, tighten the fixing screw securely.

Tip: To prepare for threading electrical wires through the downrod, apply a small piece of electrical tape to the ends of the electrical wires. This will keep the wires together when threading them through the downrod.

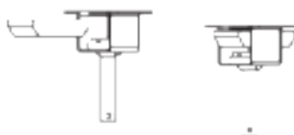
- Loosen the fixing screws and nut at the top of the motor housing. Remove the pin and bolt from the downrod (if you have not already done so). Slide the downrod through the canopy.
- Tread electrical wires through the downrod and pull extra wire slack from the upper end of the downrod.
- Place the downrod into the motor housing yoke and reinsert the pin and bolt that were previously removed. Tighten the fixing screws and nut securely.
- Lower the canopy to the motor housing.

REMOTE CONTROL CONNECTION

- Make the connection between the receiver cables and the fan motor cables following the color indications. Make sure the connection is tight.

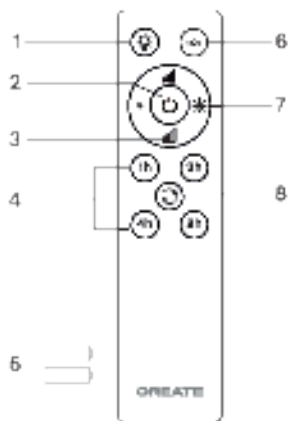


Receiver position:

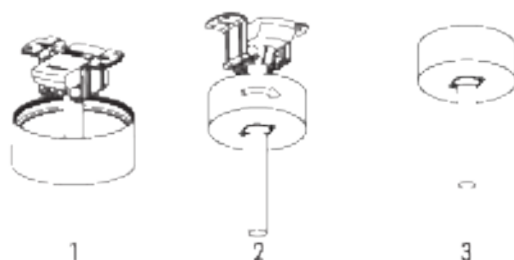


1. **Light
2. ON / OFF button
3. Fan intensity control
4. Timer
5. Batteries (2 x AAA)
6. **Colour temperature control
7. **Light intensity control
8. Reverse function

**** Function only available when having the LED plate installed.**



CANOPY ASSEMBLY



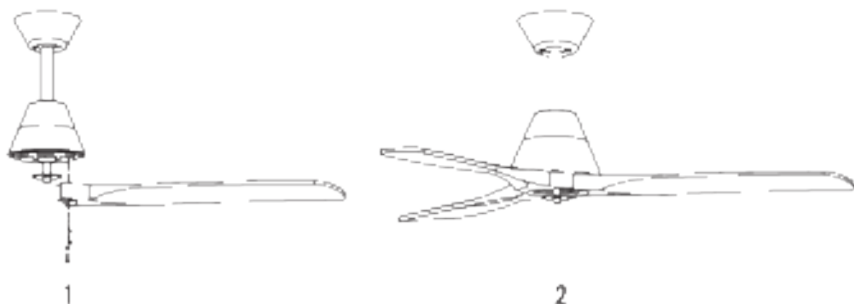
- Raise the canopy to hanging bracket, aligning loosened screws in hanging bracket with slotted holes in the canopy.
- Twist the canopy to lock. Re-insert the screws and secure all the screws with a screwdriver.
- With hanging bracket secured to the outlet box and able to support the fan, you are now ready to hang your fan.
- Grab the fan firmly with two hands. Slide downrod through the opening in the hanging bracket and let the hanging ball rest on the hanging bracket.
- Turn the hanging ball slot until it lines up with the hanging bracket tab.

Tip: Seek the help of another person to hold the stepladder in place and to lift the fan up to you once you are set on the ladder.

BLADES ASSEMBLY

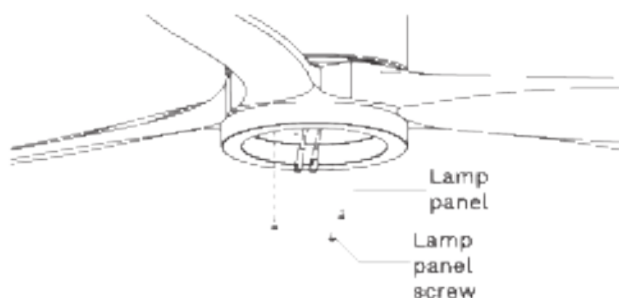
Align the holes on the blade holder with the holes on the blades and the motor body and screw them in place, but don't tighten them until they are all placed and screwed in.

Tip: To save time, you can fit the washers on each screw prior to installing the blades.



CONNECTIONS PANEL ASSEMBLY

- Attach the connections plate up to the bottom of the fan by inserting the set screw heads into the key hole slots. Rotate them to place and tighten them to secure the plate.



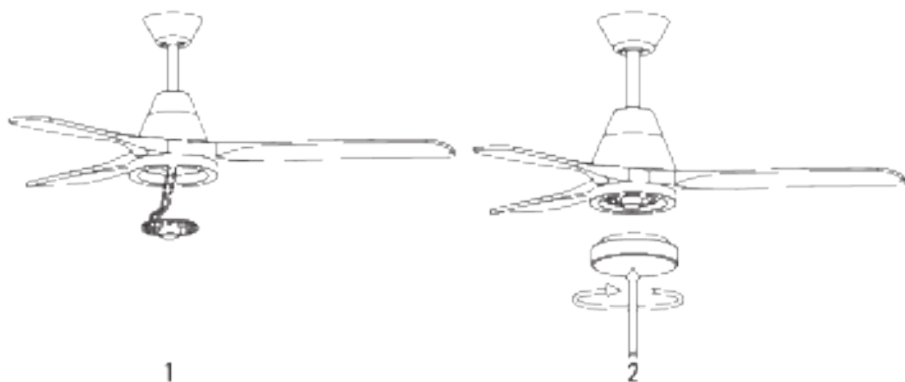
CEILING FAN WITH LED LIGHT

LED PAN AND SHADE ASSEMBLY

- Connect the single-pin plugs of the connections plate with the ones on the LED panel. The LED panel is magnetized so it will be attached to the connections panel just by placing them together.

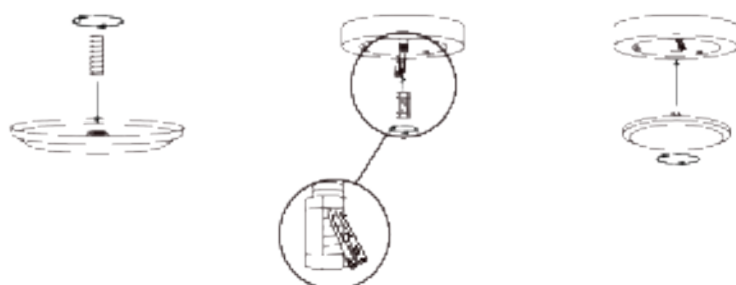
Note: While installing or removing the LED plate, please keep the insulation pads intact carefully. Turning the set screws over-tightly or fast will damage the insulation pads.

- Screw the lamp shade back to the connections plate.



CEILING FAN WITHOUT LED LIGHT

DECORATIVE COVER ASSEMBLY



- Once the connections plate has been assembled and secured, screw the decorative cover back to the connections plate using the central screw.

CHECK THE INSTALLATION

- Check the correct operation of the ceiling fan, checking that no strange movement or misalignment is observed in any part of the fan.
- In the event that some kind of hum / vibration can be seen, you can proceed to adjust the blades with the shooting kit.
- This kit has self-adhesive weights and "u" shaped clips.
- Turn off the ceiling fan.
- You can put the clip in the center of any blade and check if the vibration decreases.
- Turn on the fan and check. If no change is seen, turn off the fan and add another clip to a different blade or use the adhesive weights.



In compliance with Directives 2012/19/EU and 2015/863/EU on the restriction of the use of dangerous substances in electric and electronic equipment as well as their waste disposal. The symbol with the crossed double arrow shown on the package indicates that the product at the end of its service life should be collected as separate waste. Therefore, any products that have reached the end of their useful life must be given to waste disposal centres specialising in separate collection of waste electrical and electronic equipment, or given back to the retailer at the time of purchasing new similar equipment, on a one-for-one basis. The adequate separate collection for the subsequent start-up of the equipment aims to be recycled, treated and disposed of in an environmentally compatible way contributes to preventing possible negative effects on the environment and health and optimises the recycling and reuse of components making up the apparatus. Waste disposal of the product by the user involves application of the administrative sanctions according to the laws.

ESPAÑOL

Gracias por elegir nuestro ventilador de techo. Antes de utilizar este electrodoméstico y para asegurar su mejor uso, por favor, lea detenidamente las instrucciones.

Las medidas de seguridad aquí indicadas reducen el riesgo de incendio, descarga eléctrica y lesiones cuando se siguen correctamente. Guarde el manual en un lugar seguro para futuras referencias, así como la garantía, el recibo de compra y la caja. Si procede, entregue estas instrucciones al futuro propietario del electrodoméstico. Siempre siga las instrucciones básicas de seguridad y las medidas de prevención de riesgos cuando utilice un electrodoméstico eléctrico. El fabricante no se responsabilizará de ningún daño derivado del incumplimiento de estas instrucciones por parte del usuario.

LISTA DE PIEZAS

Abra con cuidado el embalaje y retire las piezas que se incluyen en su interior. Colóquelas en el suelo sobre una alfombra o un trozo de plástico lo suficientemente grande para evitar cualquier daño.

Compruebe que los objetos que se detallan a continuación se encuentran en el interior del embalaje.



Florón



Barra



Barra de extensión



Tornillos de expansión



Soporte de montaje



Mando a distancia



Motor



Embellecedor



Aspas



Panel de conexiones

Opción con luz:



Pantalla decorativa



Panel LED

Opción sin luz:



Tornillos de fijación



Cubierta decorativa

INSTRUCCIONES DE SEGURIDAD

Al utilizar cualquier aparato eléctrico, deben observarse siempre las siguientes precauciones básicas de seguridad.

- Lea este manual con detenimiento antes de empezar la instalación. Guarde estas instrucciones.
- Para reducir el riesgo de sufrir cualquier daño personal, acople el ventilador directamente a la estructura de soporte del edificio siguiendo estas instrucciones y utilice únicamente el material proporcionado.
- Para evitar posibles descargas eléctricas, antes de instalar su ventilador, desconecte la corriente apagando los interruptores de potencia del cuadro eléctrico y los interruptores de pared asociados. Si no es posible apagar los interruptores de potencia, utilice un dispositivo de advertencia como una etiqueta en el cuadro eléctrico.
- Todos los cables deben cumplir las especificaciones establecidas según los códigos eléctricos locales y nacionales y ANSI/NFPA 70. Si no está familiarizado con las instalaciones eléctricas, acuda a un electricista cualificado.
- No doble el sistema de acoplamiento de las aspas mientras las instala, las inclina o las limpia.
- No inserte otros objetos entre las aspas del ventilador.
- Para reducir el riesgo de incendio, descarga eléctrica o daño en el motor, no utilice un regulador de velocidad de estado sólido con este ventilador. Utilice únicamente los reguladores de velocidad originales.
- Este electrodoméstico puede ser utilizado por niños de 8 años en adelante y personas con capacidades físicas, sensoriales o mentales reducidas, o con falta de experiencia o conocimientos limitados, siempre que estén supervisados por una persona responsable de su seguridad o que haya sido formada para usar el aparato de forma segura. Los niños no deben jugar con este aparato. Tampoco deben realizar tareas de limpieza y mantenimiento del aparato a menos que sean mayores de 8 años y estén supervisados. Es necesario supervisar a los niños de cerca cuando utilicen cualquier electrodoméstico.

NOTA: Las instrucciones y precauciones de seguridad que aparecen en este manual pueden no abarcar todos los problemas y situaciones posibles. Debe entender que tanto el sentido común como la precaución son esenciales para la instalación y el uso del ventilador.

INSTRUCCIONES DE INSTALACIÓN

- Marque la posición correcta de los agujeros y fije el soporte de techo utilizando los tornillos con anclaje metálico o tornillos y arandelas adecuados al tipo de techo elegido.
- Verifique la correcta instalación del soporte antes de colgar el ventilador. Esta placa debe de soportar todo el peso del ventilador.

PREPARACIÓN DE LA INSTALACIÓN

- Para evitar daños personales y heridas, asegúrese de que el lugar donde va a colgar el ventilador permite que las aspas estén a una distancia igual o superior a 2,3 m del suelo y 76 cm de la pared u obstáculo más cercano.
- Asegúrese de que la caja de conexiones está sujeta de manera adecuada a la estructura del edificio y que puede aguantar todo el peso del ventilador.

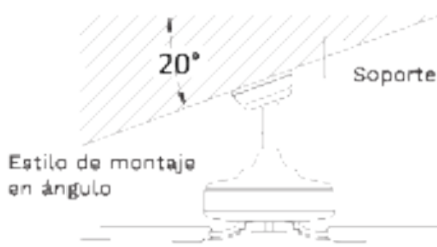


PREPARACIÓN DE LA UBICACIÓN DEL VENTILADOR

- Elija la barra de suspensión que más se adapte a su situación.
- Retire el perno de la barra, quitando el pasador y pase el florón (embellecedor del techo) y el florón del motor a través de la barra de suspensión. A continuación, pase los cables del motor del ventilador por el interior de la barra de suspensión. Ajuste la barra de suspensión al motor e introduzca el perno y el pasador.



El montaje tradicional cuelga del techo con una barra.



El montaje en ángulo se recomienda en techos inclinados o abovedados.

INSTALACIÓN DEL SOPORTE DE MONTAJE

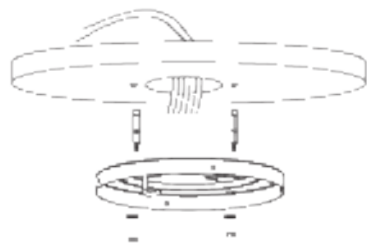
- La caja de distribución y la viga deben estar bien montadas y ser capaces de soportar con seguridad como mínimo el peso del ventilador.



Techo de madera

Fije el soporte de montaje con los tornillos y las arandelas para madera en las uniones del techo.

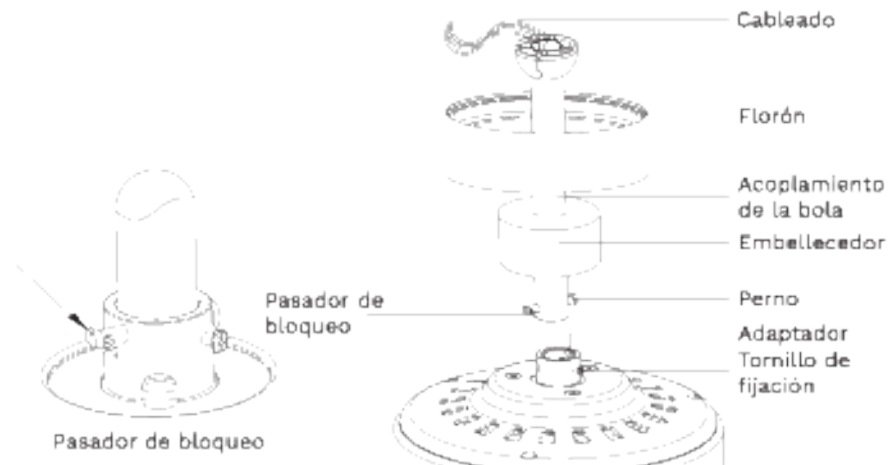
No fije el soporte de montaje directamente en techos de menos de 10 mm para evitar el riesgo de que el tornillo se afloje y se salga.



Techo de hormigón

Practique orificios con una broca de 8 mm, de acuerdo con la longitud de los tornillos de expansión. Seguidamente, fije el soporte de montaje al techo con los tornillos de expansión.

MONTAJE Y COLGADO DEL VENTILADOR



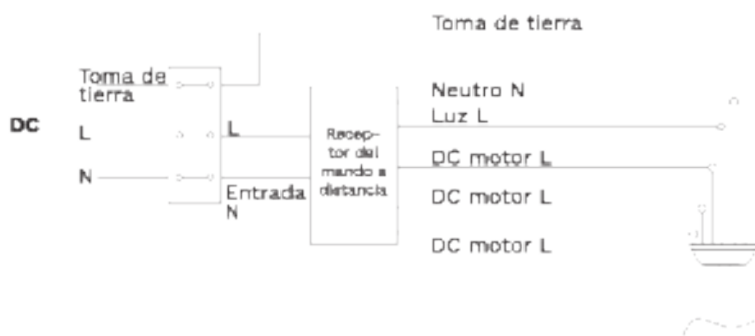
- Si quiere extender la longitud de cuelgue de su ventilador, retire la bola de la barra de suspensión y utilice la barra adicional de extensión (Incluida). (Si quiere utilizar la barra de suspensión, siga las siguientes instrucciones.)
- Para retirar la bola de la barra de suspensión, afloje el tornillo de fijación y retire los pasadores. Baje la bola y retire el pasador de bloqueo. Saque la bola de la barra de suspensión e introdúzcala en la barra de suspensión más larga (la parte superior de la barra tiene un agujero para el tornillo de fijación; utilícelo para fijar la barra).
- Inserte el pasador de bloqueo en el extremo de la barra de suspensión y eleve la bola.
- Asegúrese de que el pasador de bloqueo está alineado con las ranuras del interior de la bola y fije el tornillo de fijación.

Consejo: Para facilitar la introducción de los cables en la barra, coloque un poco de cinta aislante alrededor de los cables. Esto le ayudará a mantenerlos juntos mientras los inserta en la barra.

- Afloje los tornillos de fijación y la arandela de la parte superior de la carcasa del motor. Retire los pasadores de la barra (si no lo ha hecho aún). Introduzca el florón por la barra.
- Pase los cables por la barra y tire del sobrante de los cables desde la parte superior de la barra para ajustarlos.
- Coloque la barra dentro de la carcasa del motor e inserte los pasadores que retiró anteriormente. Ajuste los tornillos de fijación y las arandelas.
- Baje el florón hacia la carcasa del motor.

CONEXIÓN DEL MANDO A DISTANCIA

Realice la conexión entre los cables del receptor y los cables del motor del ventilador siguiendo las indicaciones de color. Asegúrese de que la conexión esté bien ajustada.

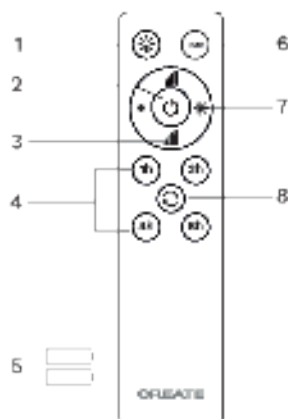


Colocación del receptor:

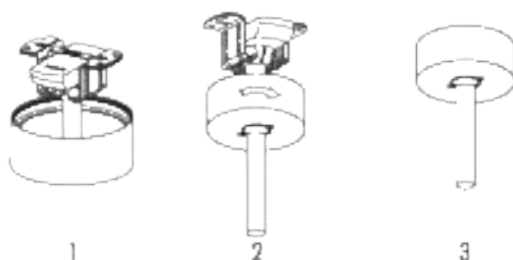


1. **Luz
2. Botón ON / OFF
3. Control de intensidad del ventilador
4. Temporizador
5. Pilas (2 x AAA)
6. **Control de la temperatura de color
7. **Control de intensidad de la luz
8. Función reverse

**** Función solo disponible con la placa LED instalada.**



MONTAJE DEL FLORÓN



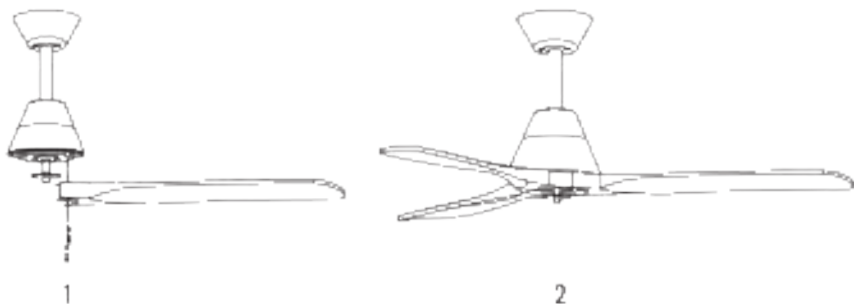
- Levante el florón hasta el soporte de montaje y alinee los tornillos aflojados en el soporte de montaje con los orificios del florón.
- Gire el florón para ajustarlo. Reinserte los tornillos y fíjelos con un destornillador.
- Una vez tenga el soporte de montaje asegurado a la caja de conexiones puede proceder a colgar el ventilador.
- Agarre el ventilador con firmeza con ambas manos. Pase la barra por la apertura del soporte de montaje y deje que la bola se apoye en el soporte de montaje.
- Gire el acoplamiento de la bola hasta que se alinee con la pestaña del soporte de montaje.

Consejo: Otra persona debería ayudarte para sostener la escalera de mano y alcanzarle el ventilador una vez se haya subido a la escalera.

MONTAJE DE LAS ASPAS

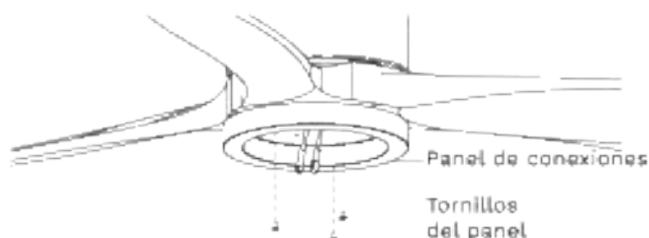
Alinee los orificios del soporte de las aspas con los orificios de las aspas y del cuerpo del motor y atorníllelas en su sitio, pero no apriete los tornillos hasta que estén todas colocadas y atornilladas.

Consejo: Para ahorrar tiempo, puede colocar las arandelas en cada tornillo antes de instalar las aspas.



MONTAJE DEL PANEL DE CONEXIONES

- Enganche la placa a la parte inferior del ventilador insertando las cabezas de los tornillos en los orificios destinados a ello. Enrosque los tornillos y después asegúrelos.



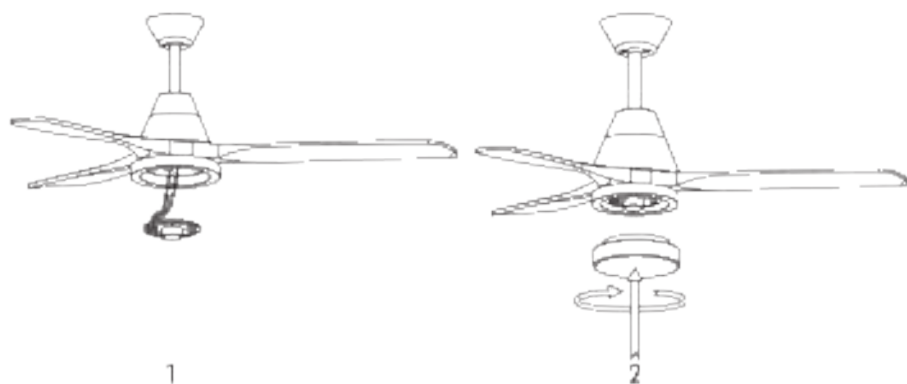
VENTILADOR DE TECHO CON LUZ LED

MONTAJE DEL PANEL LED Y DE LA PANTALLA DECORATIVA

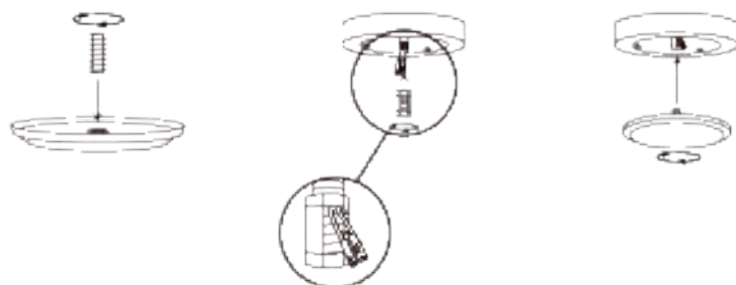
- Conecta los enchufes de clavija única de la placa de conexiones con los del panel LED. El panel LED está magnetizado así que se acopla a la placa de conexiones simplemente juntando ambas piezas.

Nota: Mientras esté instalando o retirando la placa LED, procure no tocar las pestañas aislantes. No apriete los tornillos en exceso ni los enrosque con rapidez ya que podría causar daños en las pestañas aislantes.

- Coloque la pantalla decorativa sobre la placa LED.



MONTAJE DE LA TAPA DECORATIVA



- Una vez se ha montado y asegurado la placa de conexiones, vuelva a atornillar la tapa decorativa a la placa de conexiones con el tornillo central.

COMPROBAR LA INSTALACIÓN

- Compruebe el correcto funcionamiento del ventilador de techo, revisando que no se observe algún movimiento extraño o desajuste en alguna pieza del ventilador.
- En el caso de que se pueda apreciar algún tipo de zumbido/vibración, puede proceder a ajustar las aspas con el kit de balaceo.
- En este kit dispone de contrapesos autoadhesivos y clips en forma de "u".
- Apague el ventilador de techo.
- Puede poner el clip en el centro de cualquier aspa y revisar si la vibración disminuye.
- Encienda el ventilador y compruebe. Si no se aprecia cambio, apague el ventilador y añada otro clip en otra aspa o use los contrapesos adhesivos.



En cumplimiento de las directivas 2012/19 / UE y 2015/863 / UE sobre la restricción del uso de sustancias peligrosas en equipos eléctricos y electrónicos, así como su eliminación de residuos. El símbolo con el cubo de basura cruzado que se muestra en el paquete indica que el producto al final de su vida útil se recogerá como residuo separado. Por lo tanto, cualquier producto que haya llegado al final de su vida útil debe entregarse al centro de eliminación de residuos especializado en la recogida selectiva de equipos eléctricos y electrónicos de rechazo, o devolverse al minorista al momento de comprar equipos nuevos similares, en su caso. La recolección separada adecuada para la posterior puesta en marcha de los equipos en el caso de ser reciclados, tratados y eliminados de una manera compatible con el medio ambiente contribuye a prevenir posibles efectos negativos sobre el medio ambiente y la salud y optimiza el reciclaje y la reutilización de los componentes que componen el aparato. La eliminación abusiva del producto por parte del usuario implica la aplicación de las sanciones administrativas de acuerdo con las leyes.

PORTUGUÊS

Obrigado por escolher o nosso ventilador de teto. Antes de utilizar o dispositivo e para assegurar uma boa utilização do mesmo, leia cuidadosamente estas instruções.

Seguir estas precauções de segurança corretamente reduz o risco de morte, ferimentos ou choque elétrico. Guarde este manual num local seguro para referência futura, juntamente com o cartão de garantia preenchido, o recibo da compra e a embalagem. Se aplicável, passe estas instruções para o próximo proprietário do dispositivo. Siga sempre as precauções de segurança e as medidas de prevenção de acidentes aquando da utilização de um eletrodoméstico. Não assumimos qualquer responsabilidade por qualquer incumprimento destes requisitos.

LISTA DE PEÇAS

Abra a embalagem com cuidado e retire as peças incluídas no seu interior. Coloque-as no solo sobre um tapete ou um pedaço de plástico suficientemente grande para evitar qualquer dano.

Verifique se os objetos detalhados em seguida se encontram no interior da embalagem.



Canopla



Barra



Barra de extensão



Parafusos de expansão



Suporte da montagem



Controlo remoto



Motor



Elemento decorativo



Pis



Painel de remendo

Opção com luz:



Ecrã decorativa



Painel de
LED

Opção sem luz:



Parafusos de fixação



Tampa decorativa

INSTRUÇÕES DE SEGURANÇA

Ao utilizar qualquer aparelho elétrico, dever-se-ão ter sempre em conta as seguintes precauções básicas de segurança.

- Leia este manual com atenção antes de começar a instalação. Guarde estas instruções.
- Para reduzir o risco de sofrer qualquer dano pessoal, acople o ventilador diretamente à estrutura de suporte do edifício seguindo estas instruções e utilize apenas o material proporcionado.
- Para evitar possíveis descargas elétricas, antes de instalar o ventilador desligue a corrente desligando os interruptores de potência do quadro elétrico e os interruptores de parede associados. Se não for possível desligar os interruptores de potência, utilize um dispositivo de advertência, como uma etiqueta, no quadro elétrico.
- Todos os cabos devem cumprir as especificações estabelecidas segundo os códigos elétricos locais e nacionais e a norma ANSI/NFPA 70. Se não estiver familiarizado com as instalações elétricas, consulte um eletricitista qualificado.
- Não dobre o sistema de acoplamento das pás enquanto as instala, inclina ou limpa.
- Não insira outros objetos entre as pás do ventilador.
- Para reduzir o risco de incêndio, descarga elétrica ou dano no motor, não utilize um regulador de velocidade de estado sólido com este ventilador. Utilize apenas os reguladores de velocidade originais.
- Este eletrodoméstico pode ser utilizado por crianças com idade igual ou superior a 8 anos e por pessoas com capacidades físicas, sensoriais ou mentais reduzidas ou com falta de experiência ou conhecimentos limitados, sempre que sejam supervisionadas por uma pessoa responsável pela sua segurança ou que tenha sido formada para usar o aparelho de forma segura. As crianças não devem brincar com este aparelho. Também não devem realizar tarefas de limpeza e manutenção do aparelho, a menos que tenham idade superior a 8 anos e estejam supervisionadas. É necessário supervisionar as crianças de perto quando utilizarem qualquer eletrodoméstico.

NOTA: as instruções e precauções de segurança constantes neste manual podem não abranger todos os possíveis problemas e situações. Deve entender que tanto o senso comum como a precaução são essenciais para a instalação e utilização do ventilador.

INSTRUÇÕES DE INSTALAÇÃO

- Marque a posição correta dos orifícios e fixe o suporte de teto usando os parafusos com âncora de metal ou parafusos e arruelas adequados ao tipo de teto escolhido.
- Verifique a instalação correta do suporte antes de pendurar o ventilador. Esta placa deve suportar todo o peso do ventilador.

PREPARAÇÃO DA INSTALAÇÃO

- Para evitar danos pessoais e ferimentos, assegure-se de que o lugar onde vai pendurar o ventilador permite que as pás estejam a uma distância igual ou superior a 2,3 m do solo e a 50 cm da parede ou obstáculo mais próximo.
- Assegure-se de que a caixa de ligações seja fixada de maneira adequada à estrutura do edifício e que pode aguentar todo o peso do ventilador.

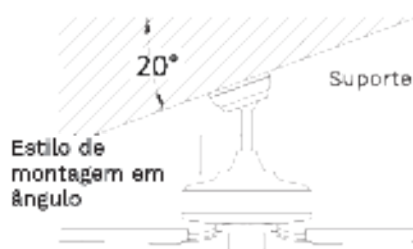


INSTALANDO A BARRA DE SUSPENSÃO

- Escolha a barra de suspensão que melhor se adapta à sua situação.
- Remova o parafuso da barra, remova o pino e passe a cobertura (cobertura do teto) e a cobertura do motor pela barra de suspensão. Em seguida, direcione os cabos do motor do ventilador pela parte interna da barra de suspensão. Aperte a barra de suspensão no motor e insira o parafuso e o pino.



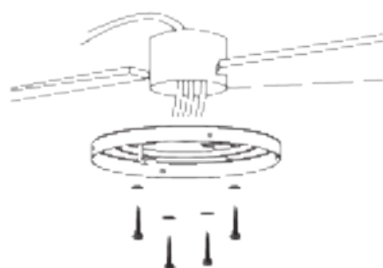
A montagem tradicional é pendurada a partir do teto com uma barra.



A montagem em ângulo é recomendada em tetos inclinados ou abobadados.

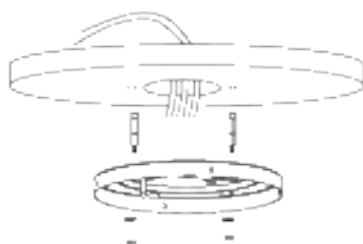
FIXAÇÃO DO SUPORTE DE MONTAGEM

- A caixa de tomada e a viga devem estar bem montadas e ser capazes de suportar de forma fiável, pelo menos, o peso do ventilador.



Teto de madeira

Fixe de forma segura o suporte de montagem com parafusos e arruelas de madeira nas vigas do teto.

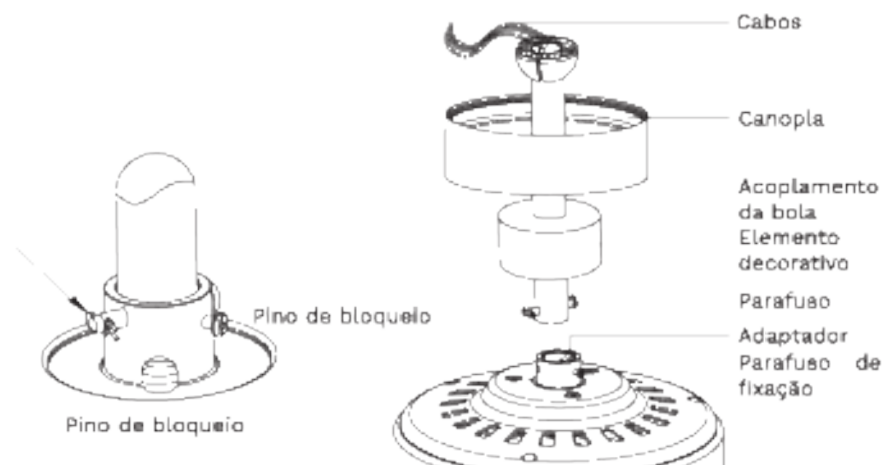


Teto de betão

Faça orifícios com uma broca de 8 mm, de acordo com o comprimento dos parafusos de expansão. Depois disso, fixe o suporte de montagem ao teto com parafusos de expansão.

Não fixe o suporte de montagem diretamente em tetos com menos de 10 mm de espessura, para evitar o risco de o parafuso se soltar.

MONTAGEM E PENDURA DO VENTILADOR

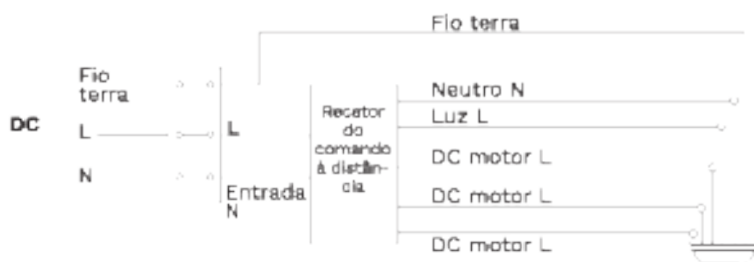


- Se quiser alargar a longitude de sujeição do seu ventilador, retire a bola da barra de suspensão e utilize a barra adicional de extensão (incluída). (Se quiser utilizar a barra de suspensão, siga as seguintes instruções.)
- Para retirar a bola da barra de suspensão, solte o parafuso de fixação e retire os passadores. Baixe a bola e retire o pino de bloqueio. Tire a bola da barra de suspensão e introduza-a na barra de suspensão mais longa (a parte superior da barra tem um buraco para o parafuso de fixação; utilize-o para fixar a barra).
- Insira o pino de bloqueio na extremidade da barra de suspensão e eleve a bola.

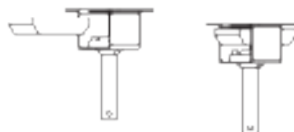
- Assegure-se de que o pino de bloqueio está alinhado com as ranhuras do interior da bola e fixe o parafuso de fixação.
- Conselho: Para facilitar a introdução dos cabos na barra, coloque um pouco de fita isolante à volta dos cabos. Isto ajudará a mantê-los juntos enquanto os insere na barra.
- Solte os parafusos de fixação e a arruela da parte superior do invólucro do motor. Retire os passadores da barra (se ainda não o fez). Introduza o florão na barra.
- Passe os cabos pela barra e puxe o que restar dos cabos a partir da parte superior da barra para os ajustar.
- Coloque a barra dentro do invólucro do motor e insira os passadores que retirou anteriormente. Ajuste os parafusos de fixação e as arruelas.
- Baixe a canopla para o invólucro do motor.

LIGAÇÃO DO COMANDO À DISTÂNCIA

Faça a conexão entre os cabos do receptor e os cabos do motor do ventilador seguindo as indicações de cores. Verifique se a conexão está firme.

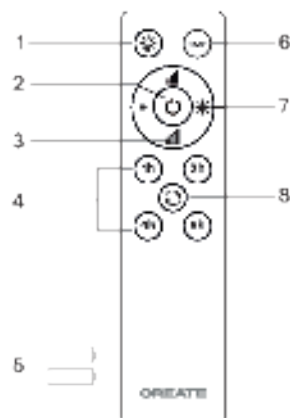


Local do receptor:



1. **Luz
2. ON / OFF
3. Controle de intensidade do ventilador
4. Temporizador
5. Pilas (2 x AAA)
6. **Controle de temperatura de cor
7. **Controle de intensidade de luz
8. Função reverse

**** Função disponível apenas com a placa LED instalada.**



MONTAGEM DO CANOPLA



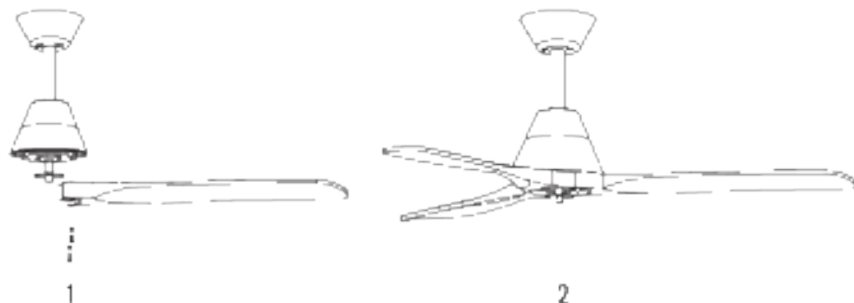
- Levante a canopla até ao suporte de montagem e alinhe os parafusos soltos no suporte de montagem com os orifícios do florão.
- Vire a canopla para ajustar. Reinsira os parafusos e fixe-os com uma chave de fendas.
- Assim que tiver o suporte de montagem fixo à caixa de ligações, pode proceder ao pendurar do ventilador.
- Agarre o ventilador com firmeza com ambas as mãos. Passe a barra pela abertura do suporte de montagem e deixe a bola apoiar-se no suporte de montagem.
- Vire o acoplamento da bola até que se alinhe com a aba do suporte de montagem.

Conselho: outra pessoa deve ajudá-lo ao segurar a escada de mão e passar-lhe o ventilador assim que subir a escada.

MONTAGEM DAS PÁS

Alinhe os orifícios no suporte da lâmina com os orifícios nas lâminas e no corpo do motor e aperte-os no lugar, mas não aperte os parafusos até que estejam todos dentro e aparafusados.

Conselhos: Para economizar tempo, você pode colocar as arruelas em cada parafuso antes de instalar as pás.



MONTAGEM DO PATCH PANEL

- Prenda a placa na parte inferior do ventilador inserindo as cabeças dos parafusos nos orifícios designados. Aperte os parafusos e prenda-os.



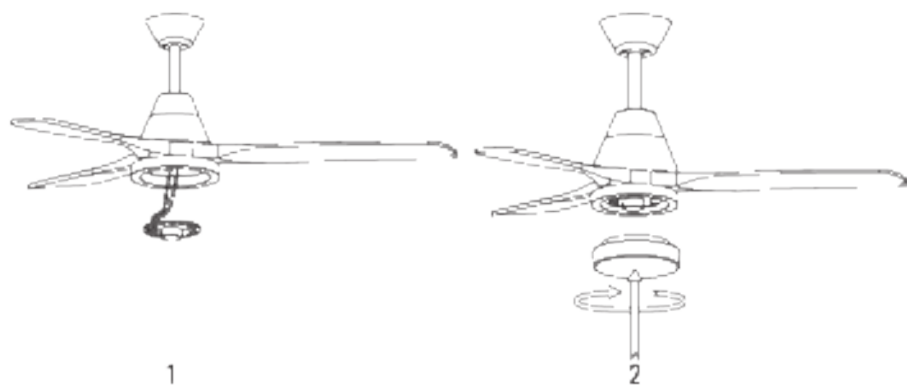
VENTILADOR DE TETO COM LUZ LED

MONTAGEM DO PAINEL LED E TELA DECORATIVA

- Conecte os plugues de pino único no painel traseiro com aqueles no painel de LED. O painel de LED é magnetizado para que seja preso ao painel traseiro simplesmente colocando as duas peças juntas.

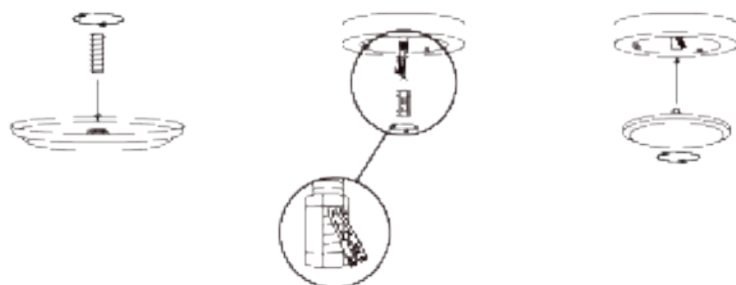
Nota: Ao instalar ou remover a placa de LED, tome cuidado para não tocar nas guias de isolamento. Não aperte demais os parafusos nem os aparafuse rapidamente, pois isso pode causar danos às abas de isolamento.

- Coloque a tela decorativa na placa de LED.



VENTILADOR DE TETO SEM LUZ LED

MONTAGEM DA TAMPA DECORATIVA



- Após a montagem e fixação da placa de conexão, aparafuse a tampa decorativa de volta na placa de conexão com o parafuso central.

VERIFIQUE A INSTALAÇÃO

- Verifique o funcionamento correto do ventilador de teto, verificando se nenhum movimento estranho ou desalinhamento é observado em qualquer parte do ventilador.
- Caso seja observado algum tipo de zumbido / vibração, você pode prosseguir com o ajuste das lâminas com o kit de disparo.
- Este kit possui pesos autoadesivos e cliques em forma de "u".
- Desligue o ventilador do teto.
- Você pode colocar o clipe no centro de qualquer lâmina e verificar se a vibração diminui.
- Ligue o ventilador e verifique. Se nenhuma alteração for vista, desligue o ventilador e adicione outro clipe em uma lâmina diferente ou use os pesos adesivos.



Em conformidade com as diretivas 2012/19 / UE e 2015/863 / UE sobre a restrição do uso de substâncias perigosas em equipamentos elétricos e eletrônicos, bem como a eliminação de resíduos. O símbolo com o cruzado riscado mostrado na embalagem indica que o produto ao final de sua vida útil será coletado como lixo separado. Portanto, qualquer produto que tenha adquirido o fim de sua vida útil deve ser entregue a centros especializados de eliminação de resíduos para coleta seletiva de equipamentos elétricos e eletrônicos, ou devolvido ao varejista em qualquer equipamento novo semelhante, em um para uma base. A coleta seletiva apropriada para o comissionamento subsequente do equipamento enviado para reciclagem, tratamento e descarte de maneira ecológica ajuda a evitar possíveis efeitos negativos no meio ambiente e na saúde e admissão e reciclagem e reutilização de os componentes que compõem o dispositivo. . A eliminação abusiva do produto pelo usuário implica a aplicação de sanções administrativas de acordo com a lei.

FRANÇAIS

Nous vous remercions d'avoir choisi notre ventilateur de plafond. Avant d'utiliser cet appareil électroménager et pour garantir une utilisation optimale, lire attentivement les instructions.

Les mesures de sécurité visées ici réduisent le risque d'incendie, d'électrocution et de blessures lorsqu'elles sont correctement suivies. Conserver le manuel dans un endroit sûr pour de futures références, tout comme la garantie, le ticket d'achat et l'emballage. Le cas échéant, remettre ces instructions au futur propriétaire de l'appareil électroménager. Toujours respecter les instructions de sécurité de base et les mesures de prévention des risques lors de l'utilisation d'un appareil électrique. Le fabricant ne sera responsable d'aucun dommage découlant du non-respect de ces instructions de la part de l'utilisateur.

LISTE DES PIÈCES

Ouvrez l'emballage avec précaution et retirez les pièces placées à l'intérieur. Posez celles-ci sur le sol, sur un tapis ou sur un morceau de plastique suffisamment grand pour éviter tout dommage.

Assurez-vous de bien avoir toutes les pièces listées ci-dessous.



Canopée



Barre



Barre d'extension



Vis d'expansion



Support



Télécommande



Motor



Élément décoratif



Pales



Panneau de raccordement

Option avec lumière:



Écran décoratif



Panneau
LED

Option sans lumière:



Vis de fixation



Couverture décorative

CONSIGNES DE SÉCURITÉ

Lors de l'utilisation de tout appareil électrique, il convient toujours de suivre les précautions suivantes en matière de sécurité.

- Lisez attentivement ce manuel avant de commencer l'installation. Conservez ce manuel.
- Afin d'éviter tout risque de blessure, montez directement le ventilateur sur le support situé au plafond en suivant ces instructions et utilisez uniquement le matériel fourni.
- Afin d'éviter tout risque d'électrocution, avant d'installer le ventilateur, coupez le courant au disjoncteur correspondant à la pièce de l'installation et éteignez les interrupteurs. S'il n'est pas possible de couper le courant au disjoncteur, prenez des précautions en utilisant par exemple une étiquette bien visible que vous placerez sur le tableau électrique.
- Tous les câbles doivent respecter les caractéristiques établies selon les codes électriques locaux, nationaux et ANSI/NFPA 70. Si vous n'avez pas l'habitude de réaliser des installations électriques, faites appel à un électricien qualifié.
- Pendant leur installation, lorsque vous les nettoyez ou les inclinez, ne pliez pas le système de fixation des pales.
- N'introduisez aucun objet entre les pales du ventilateur.
- Afin de réduire tout risque d'incendie, d'électrocution ou afin de ne pas endommager le moteur, n'utilisez pas de régulateur de vitesse avec ce ventilateur. Utilisez uniquement les régulateurs de vitesse originaux.
- Cet électroménager peut être utilisé par des enfants à partir de 8 ans et par des personnes ayant des capacités physiques, sensorielles ou mentales limitées, ou ayant peu d'expérience ou des connaissances limitées, à condition qu'elles soient surveillées par une personne responsable de leur sécurité ou qu'elles aient été formées pour utiliser l'appareil en toute sécurité. Les enfants ne doivent pas jouer avec cet appareil, ils ne doivent pas non plus réaliser de tâches de nettoyage ou de maintenance de l'appareil, à moins qu'ils aient plus de 8 ans et qu'ils soient surveillés. Les enfants doivent être sous surveillance quand ils utilisent un électroménager, quel qu'il soit.

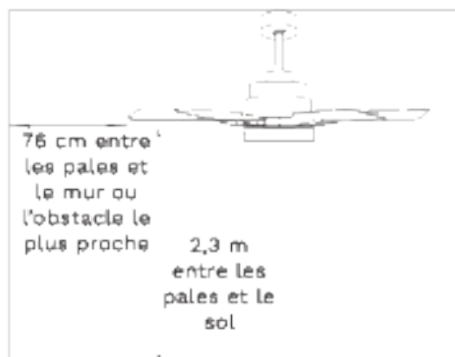
REMARQUE : les instructions et les précautions liées à la sécurité figurant dans ce manuel ne sont pas exhaustives. Pour installer et utiliser ce ventilateur, il est nécessaire de faire preuve de bon sens et de prendre des précautions.

CONSIGNES D'INSTALLATION

- Marquez la position correcte des trous et fixez le support de plafond à l'aide des vis avec ancrage métallique ou des vis et rondelles adaptées au type de plafond choisi.
- Vérifiez la bonne installation du support avant de suspendre le ventilateur. Cette plaque doit supporter tout le poids du ventilateur.

PRÉPARATION DE L'INSTALLATION

- Afin d'éviter tout risque de blessures, assurez-vous que le lieu dans lequel vous allez installer le ventilateur a les dimensions suffisantes pour permettre une distance égale ou supérieure à 2,3 m entre le sol et les pales et de 76 cm entre les pales et le mur ou l'obstacle le plus proche.
- Assurez-vous que la boîte de jonction est correctement fixée au plafond et qu'elle peut supporter le poids du ventilateur.

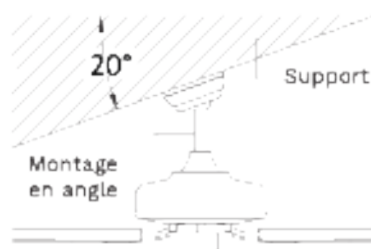


INSTALLATION DE LA BARRE DE SUSPENSION

- Choisissez la barre de suspension qui convient le mieux à votre situation.
- Retirez le boulon de la barre, retirez la goupille et passez la verrière (garniture de toit) et la verrière du moteur à travers la barre de suspension. Ensuite, faites passer les câbles du moteur du ventilateur à l'intérieur de la barre de suspension. Serrez la barre de suspension au moteur et insérez le boulon et la goupille.



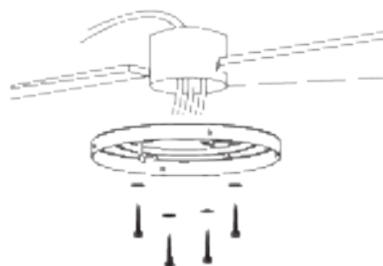
Le montage traditionnel permet de suspendre le ventilateur avec une tige.



Le montage en angle est recommandé pour les plafonds inclinés ou voûtés.

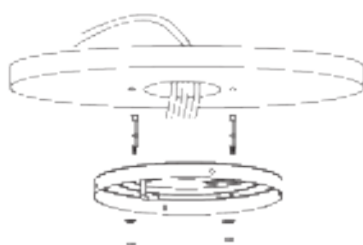
INSTALLATION DU SUPPORT

- La boîte de sortie et la poutre doivent être solidement installées et doivent pouvoir supporter de manière fiable au moins le poids du ventilateur.



Plafonds en bois

Fixez solidement le support de montage avec des vis à bois et des rondelles aux solives.

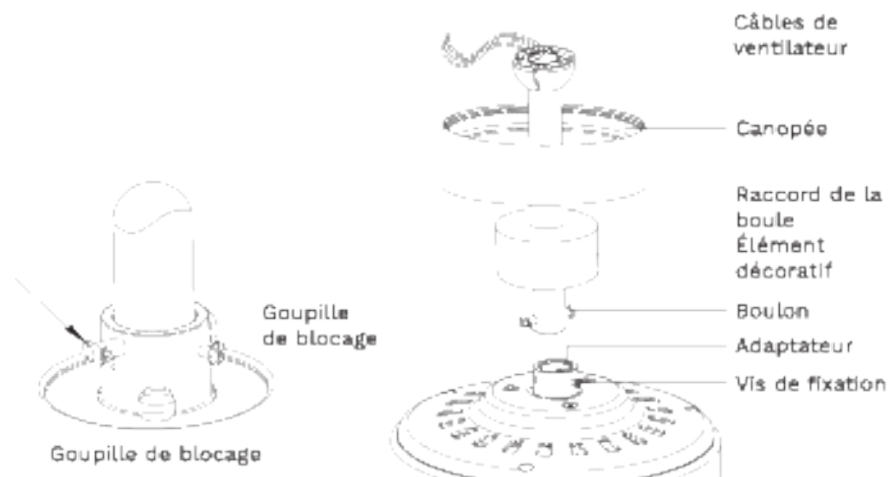


Plafonds en béton / plâtre

Percez des trous avec un foret de 8 mm, en fonction de la longueur des vis d'expansion. Fixez ensuite le support de montage avec les vis d'expansion.

N'installez pas le support de montage directement sur des plafonds d'une épaisseur inférieure à 10 mm pour éviter le risque de desserrage de la vis.

CONNEXION DE LA BARRE DE SUSPENSION AU BOÎTIER DU MOTEUR



- Si vous souhaitez augmenter la longueur de suspension du ventilateur, retirez la boule de la tige de suspension et utilisez la tige d'extension (incluse). (Si vous souhaitez utiliser la tige de suspension, suivez les instructions suivantes).
- Pour retirer la boule de la tige de suspension, desserrez la vis de fixation et retirez les goupilles. Faites descendre la boule et retirez la goupille butoir. Retirez la boule et introduisez-la sur la tige de suspension plus longue (la partie supérieure de la tige possède un orifice pour la vis de fixation ; utilisez-le pour fixer la tige).

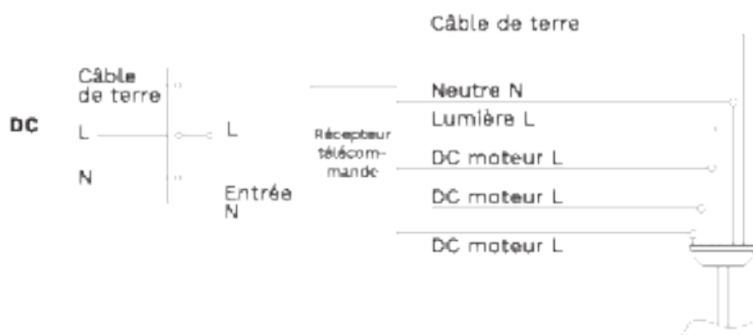
- Placez la goupille butoir à l'extrémité de la tige et faites monter la boule.
- Assurez-vous que la goupille butoir est correctement alignée sur les rainures de l'intérieur de la boule et serrez la vis de fixation.

Conseil : pour faciliter l'introduction des câbles dans la tige, placez un peu de ruban isolant autour des câbles. Cela vous aidera à les maintenir ensemble lorsque vous les introduirez dans la tige.

- Desserrez les vis de fixation et la rondelle de la partie supérieure du boîtier du moteur. Retirez les goupilles de la tige (si vous ne l'avez pas encore fait). Introduisez le fleuron sur la tige.
- Faites passer les câbles dans la tige et tirez les câbles restant visibles depuis la partie supérieure de la tige pour les placer correctement.
- Placez la tige à l'intérieur du boîtier du moteur et introduisez les goupilles que vous avez auparavant retirées. Serrez les vis de fixation et les rondelles.
- Baissez le fleuron vers le boîtier du moteur.

CONNEXION DE LA TÉLÉCOMMANDE

- Effectuez la connexion entre les câbles du récepteur et les câbles du moteur du ventilateur en suivant les indications de couleur. Assurez-vous que la connexion est bien serrée.

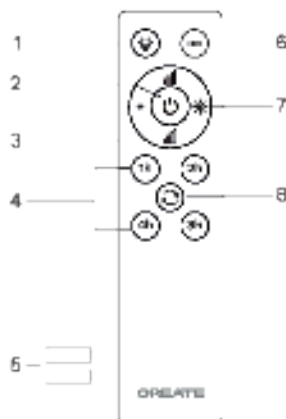


Placement du récepteur:

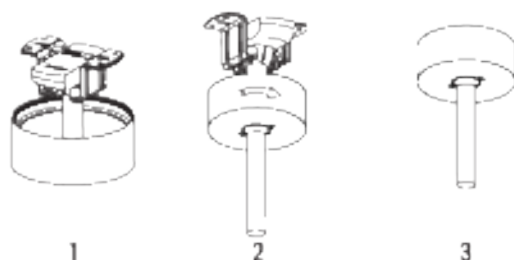


1. **Lumière
2. Bouton ON / OFF
3. Contrôle de l'intensité du ventilateur
4. Minuteur
5. Piles (2 x AAA)
6. ** Contrôle de la température de couleur
7. ** Contrôle de l'intensité lumineuse
8. Fonction Inverse

**** Fonction disponible uniquement avec la plaque LED installée.**



MONTAGE DU CANOPÉE



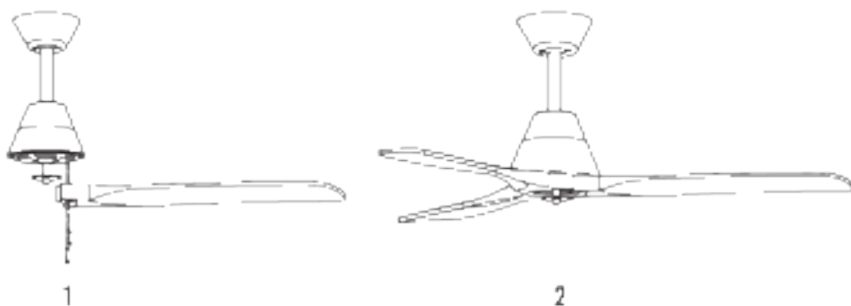
- Soulevez le canopée jusqu'au support et faites correspondre l'endroit des vis du support avec les orifices du canopée.
- Faites tourner le fleuron pour le placer correctement. Remettez les vis et vissez avec un tournevis.
- Après avoir monté le support sur la boîte de jonction, vous pouvez suspendre le ventilateur.
- Prenez le ventilateur avec les deux mains. Faites passer la tige dans l'ouverture du support et faites en sorte que la boule repose sur le support.
- Faites tourner le raccord de la boule jusqu'à ce qu'il soit en face de la languette située sur le support.

Conseil : faites-vous aider d'une autre personne qui soutiendra l'échelle et vous passera le ventilateur.

MONTAGE DES PALES

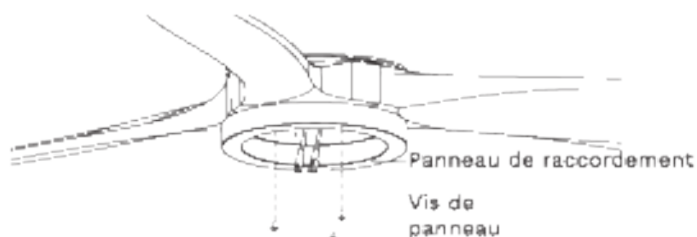
Alignez les trous du porte-pale avec les trous des lames et du corps du moteur et vissez-les en place, mais ne serrez pas les vis tant qu'elles ne sont pas toutes en place et vissées.

Conseil : Pour gagner du temps, vous pouvez mettre les rondelles sur chaque vis avant d'installer les pales.



MONTAGE DU PANNEAU DE BRASSAGE

- Accrochez la plaque au bas du ventilateur en insérant les têtes de vis dans les trous désignés. Visser les vis, puis les fixer.



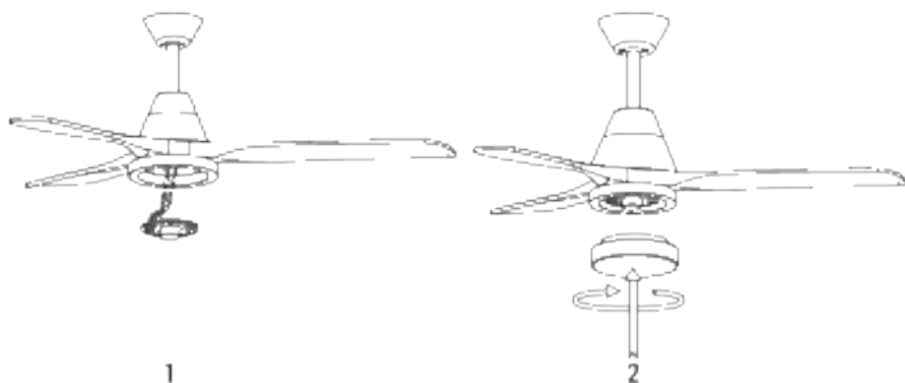
VENTILATEUR DE PLAFOND AVEC LUMIÈRE LED

MONTAGE DU PANNEAU LED ET DE L'ÉCRAN DÉCORATIF

- Connectez les fiches à une seule broche du fond de panier à celles du panneau LED. Le panneau LED est magnétisé, il est donc fixé au fond de panier simplement en assemblant les deux pièces.

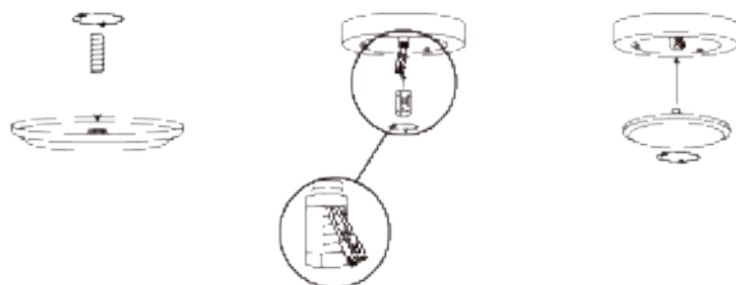
Remarque: Lors de l'installation ou du retrait de la carte LED, veillez à ne pas toucher les languettes isolantes. Ne serrez pas excessivement les vis et ne les vissez pas rapidement car cela pourrait endommager les languettes isolantes.

- Placez l'écran décoratif sur le panneau LED.



VENTILATEUR DE PLAFOND SANS LUMIÈRE LED

ASSEMBLAGE DU COUVERCLE DÉCORATIF



- Une fois la plaque de connexion montée et fixée, revissez le couvercle décoratif sur la plaque de connexion avec la vis centrale.

VÉRIFIEZ L'INSTALLATION

- Vérifiez le bon fonctionnement du ventilateur de plafond, en vérifiant qu'aucun mouvement étrange ou désalignement n'est observé dans aucune partie du ventilateur.
- Dans le cas où une sorte de bourdonnement / vibration peut être observée, vous pouvez procéder au réglage des lames avec le kit de tir.
- Ce kit a des poids auto-adhésifs et des clips en "U".
- Éteignez le ventilateur de plafond.
- Vous pouvez placer le clip au centre de n'importe quelle lame et vérifier si les vibrations diminuent.
- Allumez le ventilateur et vérifiez. Si aucun changement n'est constaté, éteignez le ventilateur et ajoutez un autre clip sur une autre lame ou utilisez les poids adhésifs.

Conformément aux directives 2012/19 / UE et 2015/2463 / UE sur la limitation de l'utilisation de substances dangereuses dans les équipements électriques et électroniques, ainsi que leur élimination des déchets. Le symbole avec la poubelle croisée indiqué sur l'emballage indique que le produit à la fin de sa durée de vie sera collecté en tant que déchet séparé. Par conséquent, tout produit ayant atteint la fin de sa durée de vie doit être livré dans des centres d'élimination des déchets spécialisés pour la collecte sélective des déchets d'équipements électriques et électroniques, ou remis au détailant lors de l'achat de nouveaux équipements similaires, en un seul pour une base. Une collecte séparée appropriée pour la mise en service d'utilisateurs des équipements capables pour être recyclés, traités et éliminés d'une manière respectueuse de l'environnement afin de prévenir les effets négatifs potentiels sur l'environnement et la santé et optimiser le recyclage et la réutilisation des les composants qui composent l'appareil. L'élimination abusive du produit par l'utilisateur implique l'application de sanctions administratives conformément aux lois.



ITALIANO

Grazie per aver scelto il nostro ventilatore da soffitto. Prima di utilizzare questo elettrodomestico e al fine di garantirne il miglior uso, leggere attentamente le istruzioni.

Se seguite in modo corretto, le misure di sicurezza qui indicate riducono il rischio di incendio, scarica elettrica e lesioni. Conservare il manuale in un luogo sicuro per future consultazioni, come anche la garanzia, la ricevuta d'acquisto e la scatola. Se necessario, consegnare queste istruzioni al futuro proprietario dell'elettrodomestico. Seguire sempre le istruzioni fondamentali di sicurezza e le misure di prevenzione dei rischi quando si utilizza un elettrodomestico elettrico. Il fabbricante non sarà responsabile di alcun danno derivante dall'inosservanza di queste istruzioni da parte dell'utente.

LISTA DE PEÇAS

Aprire con cura l'imballaggio ed estrarre i pezzi in esso contenuti. Appoggiarli sul pavimento, su un tappeto o su un pezzo di plastica abbastanza grande da evitare qualunque danno.

Verificare che gli oggetti di seguito elencati si trovino all'interno dell'imballaggio.



Capotta



Asta



Asta di estensione



Viti di espansione



Staffa di fissaggio



Telecomando



Motor



Finitura



Pale



Pannello patch

Opzione con luce:



Coprilampada



Scheda I FD

Opzione senza luce:



Viti di fissaggio



Copertura decorativa

ISTRUZIONI DI SICUREZZA

Quando si utilizza qualunque apparecchio elettrico è necessario osservare sempre le seguenti precauzioni fondamentali di sicurezza.

- Leggere attentamente questo manuale prima di cominciare l'installazione. Conservare queste istruzioni.
- Per ridurre il rischio di danni personali, attaccare il ventilatore direttamente alla struttura di supporto dell'edificio seguendo queste istruzioni e usare esclusivamente il materiale in dotazione.
- Per evitare eventuali scariche elettriche, prima di installare il ventilatore staccare la corrente spegnendo gli interruttori di potenza del quadro elettrico e gli interruttori di parete associati. Se non è possibile spegnere gli interruttori di potenza, usare un dispositivo di avvertenza come un'etichetta sul quadro elettrico.
- Tutti i cavi devono rispettare le specifiche stabilite secondo i codici elettrici locali e nazionali e ANSI/NFPA 70. Se non si è pratici con gli impianti elettrici, rivolgersi a un elettricista qualificato.
- Non piegare il sistema di fissaggio delle pale mentre si installano, si inclinano o si puliscono.
- Non inserire altri oggetti tra le pale del ventilatore.
- Per ridurre il rischio di incendio, scarica elettrica o danno al motore, non usare un regolatore di velocità a stato solido con questo ventilatore. Usare semplicemente i regolatori di velocità originali.
- Questo elettrodomestico può essere utilizzato da bambini dagli 8 anni in su e da persone con capacità fisiche, sensoriali o mentali ridotte o prive di esperienza o con conoscenze limitate purché siano opportunamente sorvegliati da una persona responsabile o che abbiano ricevuto una formazione adeguata per utilizzare l'apparecchio in modo sicuro. Non lasciare che i bambini giochino con l'apparecchio. I bambini non devono occuparsi della pulizia e manutenzione dell'apparecchio a meno che non abbiano più di 8 anni e siano controllati. È necessario controllare i bambini da vicino quando utilizzano un qualsiasi tipo di elettrodomestico.

NOTA: non è detto che le istruzioni e precauzioni di sicurezza presenti in questo manuale indichino tutti i problemi e le situazioni che si possono verificare. Bisogna intendere che sia il senso comune sia la precauzione sono essenziali per l'installazione e l'uso del ventilatore.

ISTRUZIONI DI INSTALLAZIONE

- Contrassegnare la posizione corretta dei fori e fissare la staffa del soffitto utilizzando le viti con tassello metallico o viti e rondelle adatte al tipo di soffitto scelto.
- Controllare la corretta installazione della staffa prima di appendere la ventola. Questa piastra deve supportare l'intero peso del ventilatore.

PRÉPARATION DE L'INSTALLATION

- Per evitare danni personali e ferite, assicurarsi che il luogo in cui si appenderà il ventilatore consenta alle pale di essere a una distanza uguale o superiore a 2,3 m da terra e 76 cm dalla parete o dall'ostacolo più vicino.
- Assicurarsi che la scatola di derivazione sia fissata correttamente alla struttura dell'edificio e che possa sopportare tutto il peso del ventilatore.

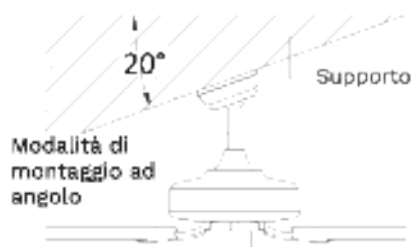


INSTALLAZIONE DELLA BARRA DI SOSPENSIONE

- Scegli la barra di sospensione più adatta alla tua situazione.
- Rimuovere il bullone dalla barra, rimuovendo il perno e passare il tettuccio (rivestimento del tetto) e il tettuccio del motore attraverso la barra di sospensione. Quindi, instradare i cavi del motore della ventola all'interno della barra di sospensione. Stringere la barra di sospensione sul motore e inserire il bullone e il perno.



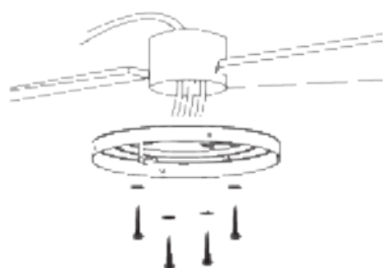
Con il montaggio tradizionale l'apparecchio pende dal soffitto con un'asta.



Il montaggio ad angolo si raccomanda su soffitti inclinati o a cupola.

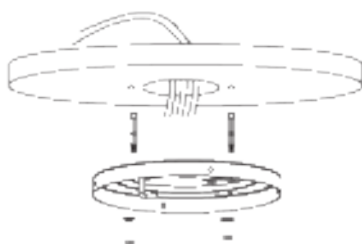
INSTALLAZIONE DEL SUPPORTO DI MONTAGGIO

- Il supporto metallico e la trave devono essere installati in modo sicuro e in grado di sopportare il peso del ventilatore.



Soffitti in legno

Fissare saldamente la staffa di montaggio con viti e bulloni adatti al fissaggio alle travi di legno.

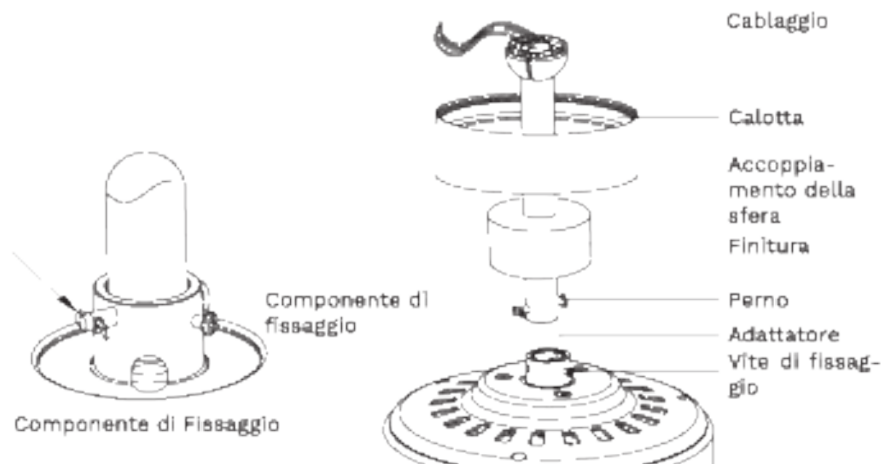


Soffitti in cemento/intonaco

Realizzare i fori con una punta da 8 mm, a seconda della lunghezza delle viti. Successivamente, fissare la staffa o supporto di montaggio con le viti presenti nella confezione.

Non installare la staffa di montaggio direttamente su soffitti di spessore inferiore a 10 mm per evitare il rischio di allentamento delle viti.

COLLEGAMENTO DELLA BARRA DI SOSPENSIONE ALL'ALLOGGIAMENTO DEL MOTORE



- Se si vuole aumentare la lunghezza di attaccatura del ventilatore, estrarre la sfera dall'asta di sospensione e usare l'asta addizionale di estensione (in dotazione). (Se si preferisce usare l'asta di sospensione, seguire le seguenti istruzioni).
- Per estrarre la sfera dall'asta di sospensione, allentare la vite di fissaggio ed estrarre i perni. Far scendere la sfera ed estrarre il perno di fermo. Estrarre la sfera dall'asta di sospensione e introdurla nell'asta di sospensione più lunga (la parte superiore dell'asta ha un foro per la vite di fissaggio; usarlo per fissare l'asta).

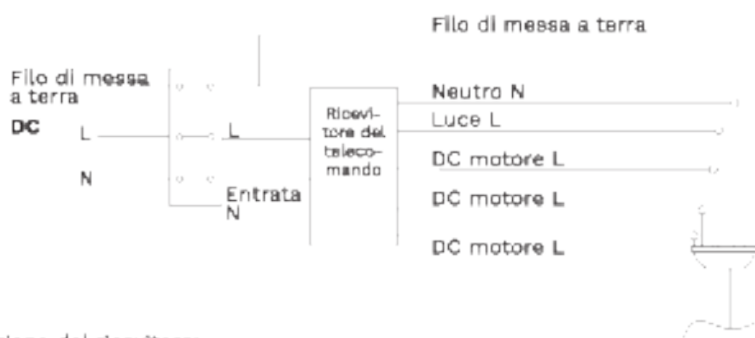
- Inserire il componente di fissaggio nell'estremità dell'asta di sospensione ed elevare la sfera.
- Assicurarsi che il componente di fissaggio sia allineato con le fessure all'interno della sfera e stringere la vite di fissaggio.

Suggerimento: per facilitare l'introduzione dei cavi nell'asta, applicare del nastro isolante intorno ai cavi. Ciò li manterrà uniti mentre vengono inseriti nell'asta.

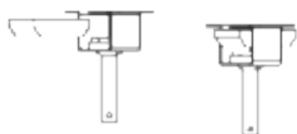
- Allentare le viti di fissaggio e la rondella della parte superiore dell'alloggiamento del motore. Estrarre i perni dall'asta (se non è ancora stato fatto). Introdurre la coppa superiore nell'asta.
- Passare i cavi attraverso l'asta e tirare l'eccesso di cavi dalla parte superiore dell'asta per regolarli.
- Posizionare l'asta all'interno dell'alloggiamento del motore e inserire i perni precedentemente estratti. Regolare le viti di fissaggio e le rondelle.
- Abbassare la coppa superiore verso l'alloggiamento del motore.

CONNESSIONE AL TELECOMANDO

- Effettuare il collegamento tra i cavi del ricevitore e i cavi del motore della ventola seguendo le indicazioni di colore. Assicurarsi che la connessione sia stretta.

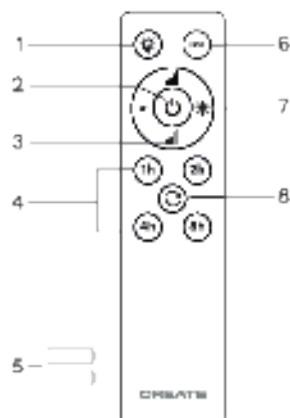


Postazione del ricevitore:

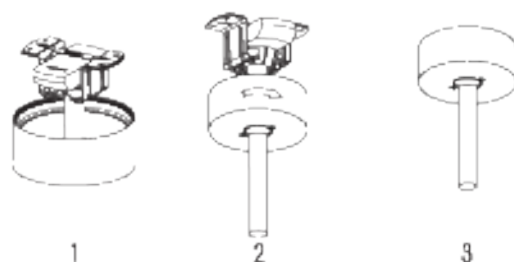


1. **Luce
2. Pulsante ON / OFF
3. Controllo dell'intensità della ventola
4. Timer
5. Batterie (2 x AAA)
6. **Controllo della temperatura del colore
7. **Controllo dell'intensità della luce
8. Funzione inversa

**** Funzione disponibile solo con scheda LED installata.**



MONTAGGIO DELLA CALOTTA



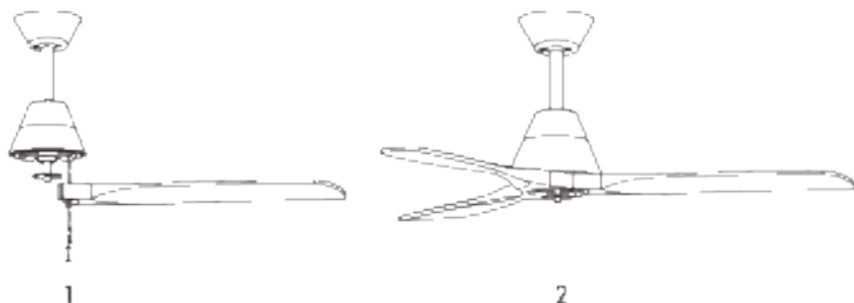
- Sollevare la coppa superiore fino al supporto di montaggio e allineare le viti allentate nel supporto di montaggio con i fori della coppa superiore.
- Ruotare la coppa superiore per regolarla. Reinserrire le viti e fissarle con il cacciavite.
- Appena il supporto di montaggio è stato fissato alla scatola di derivazione si può procedere ad appendere il ventilatore.
- Afferrare saldamente il ventilatore con entrambe le mani. Passare l'asta attraverso l'apertura del supporto di montaggio e lasciare che la sfera si appoggi nel supporto di montaggio.
- Ruotare l'accoppiamento della sfera fino a quando non si allinea con la linguetta del supporto di montaggio.

Suggerimento: sarebbe meglio che un'altra persona aiutasse a sorreggere la scala e che passasse il ventilatore alla persona che è salita sulla scala.

MONTAGGIO DELLE PALE

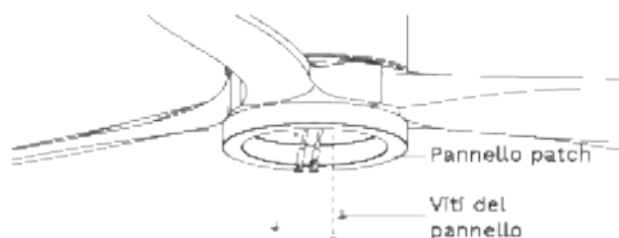
Allineare i fori nel portalama con i fori nella lama e nel corpo del motore e avvitarli in posizione, ma non serrare le viti finché non sono tutte inserite e avvitate.

Consiglio: Per risparmiare tempo, è possibile posizionare le rondelle su ciascuna vite prima di installare le lame.



MONTAGGIO DEL PANNELLO PATCH

- Agganciare la piastra alla parte inferiore della ventola inserendo la teste delle viti nei fori designati. Avvitare le viti, quindi fissarle.



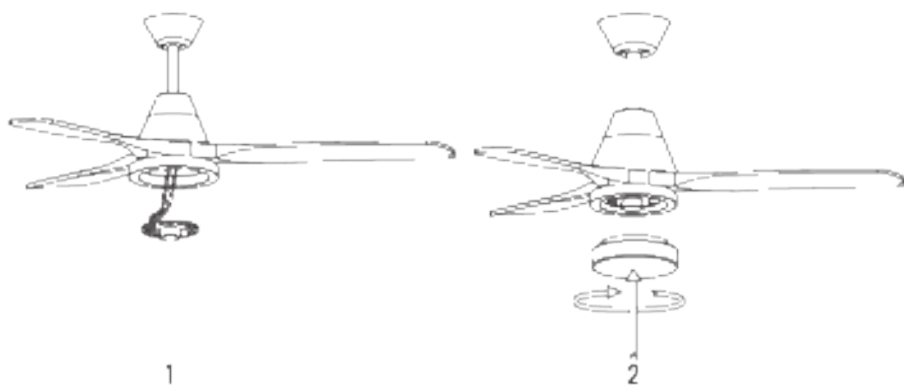
VENTILATORE DA SOFFITTO CON LUCE LED

MONTAGGIO DEL PANNELLO LED E DELLO SCHERMO DECORATIVO

- Collegare le spine a pin singolo sul backplane con quelle sul pannello LED. Il pannello LED è magnetizzato in modo da essere fissato al backplane semplicemente mettendo insieme i due pezzi.

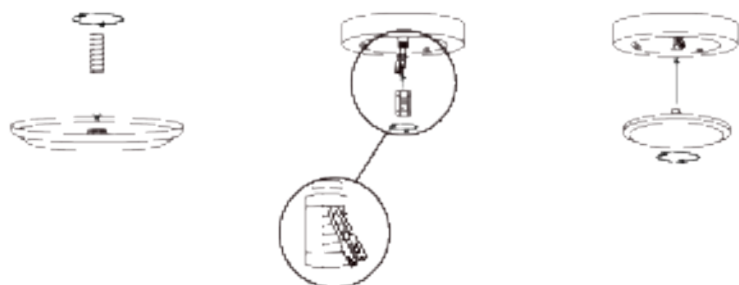
Nota: Durante l'installazione o la rimozione della scheda LED, fare attenzione a non toccare le linguette isolanti. Non serrare eccessivamente le viti o avvitarle rapidamente poiché ciò potrebbe danneggiare le linguette isolanti.

- Posizionare lo schermo decorativo sulla scheda LED.



VENTILATORE DA SOFFITTO SENZA LUCE LED

ASSEMBLAGGIO DELLA COPERTURA DECORATIVA



- Dopo che la piastra di collegamento è stata montata e fissata, riavvitare il coperchio decorativo sulla piastra di collegamento con la vite centrale.

CONTROLLA L'INSTALLAZIONE

- Controllare il corretto funzionamento del ventilatore da soffitto, verificando che non si osservino strani movimenti o disallineamenti in qualsiasi parte del ventilatore.
- Nel caso in cui sia visibile qualche tipo di ronzio / vibrazione, è possibile procedere alla regolazione delle lame con il kit di tiro.
- Questo kit ha pesi autoadesivi e clip a "U".
- Spegni il ventilatore a soffitto.
- È possibile posizionare la clip al centro di qualsiasi lama e verificare se la vibrazione diminuisce.
- Accendi il ventilatore e controlla. Se non si vede alcun cambiamento, spegnere la ventola e aggiungere un'altra clip su una lama diversa o utilizzare i pesi adesivi.



In conformità con le direttive 2012/19 / UE e 2015/863 / UE sulla restrizione dell'uso di sostanze pericolose nelle apparecchiature elettriche ed elettroniche, nonché sull'obbligo di smaltimento dei rifiuti, il simbolo con la pattiniera incrociata menzionato sulla confezione indica che il prodotto al termine della sua vita utile verrà raccolto come rifiuto speciale. Pertanto, qualsiasi prodotto che ha raggiunto la fine della sua vita utile deve essere consegnato a centri specializzati di smaltimento dei rifiuti per le apparecchiature di rifiuti di apparecchiature elettriche ed elettroniche o restituito al rivenditore al momento dell'acquisto di nuove apparecchiature simili, in alternativa per una base. Una cartella raccolta separate per le successive messe in servizio di apparecchiature spente per essere riciclate, trattate e smaltite in modo ecologico aiuta a prevenire potenziali effetti negativi sul ambiente e sulla salute e ottimizza il riciclaggio e il riutilizzo di i componenti che compongono il dispositivo. Utilizzazione abituale del prodotto da parte del cliente espone l'applicazione di sanzioni amministrative in conformità con le leggi.

DEUTSCH

Vielen Dank, dass Sie sich für unseren Deckenventilator entschieden haben. Bevor Sie dieses elektrische Haushaltsgerät verwenden und um die optimale Bedienung sicherzustellen, lesen Sie bitte diese Anleitung aufmerksam durch.

Die hier angegebenen Sicherheitsvorkehrungen verringern bei ordnungsgemäßer Einhaltung das Brandrisiko, das Risiko von elektrischen Entladungen und von Verletzungen. Bewahren Sie die Anleitung zur späteren Einsichtnahme wie auch die Garantie, den Einkaufsbeleg und die Verpackung an einem sicheren Ort auf. Händigen Sie gegebenenfalls die Anleitung an den nächsten Besitzer des elektrischen Haushaltsgeräts aus. Befolgen Sie stets die grundlegenden Sicherheitsanweisungen sowie die Maßnahmen zur Vorbeugung von Risiken, wenn Sie ein elektrisches Haushaltsgerät verwenden. Der Hersteller übernimmt keine Verantwortung für Schäden infolge Nichtbefolgung dieser Anweisungen durch den Benutzer.

TEILELISTE

Öffnen Sie vorsichtig die Verpackung und holen Sie die sich darin befindlichen Teile heraus. Legen Sie sie auf den Boden auf einen Teppich oder ein ausreichend großes Stück Kunststoffolie zum Schutz vor Beschädigungen.

Überprüfen Sie, dass die nachfolgend genannten Gegenstände in der Verpackung enthalten sind.



Rosette



Stange



Verlängerungsstange



Erweiterungsschrauber



Montagehalter



Fernbedienung



Motor



Dekorlement



Ventilatorflügel



Patchfeld

Option mit Licht:



Dekorativer Bildschirm

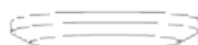


LCD-Platte

Option ohne Licht:



Befestigungsschrauben



Dekorative Abdeckung

SICHERHEITSANWEISUNGEN

Bei der Verwendung eines beliebigen Elektrogeräts sind stets die folgenden grundlegenden Sicherheitsvorkehrungen zu befolgen.

- Lesen Sie vor der Montage diese Anleitung aufmerksam durch. Bewahren Sie diese Anleitung auf.
- Befestigen Sie den Ventilator zur Senkung des Risikos von Personenschäden direkt an der tragenden Gebäudestruktur. Halten Sie sich dabei an diese Anleitung und verwenden Sie nur das mitgelieferte Material.
- Schalten Sie zum Schutz vor eventuellen Stromschlägen vor der Montage des Ventilators den Strom ab, indem Sie die Leistungsschalter am Sicherungskasten und die daran angeschlossenen Wandschalter ausschalten. Falls die Leistungsschalter nicht ausgeschaltet werden können, verwenden Sie eine Warnvorrichtung wie zum Beispiel einen Aufkleber am Sicherungskasten.
- Sämtliche Kabel müssen die in den örtlichen und nationalen Sicherheitsvorschriften für Elektroinstallationen sowie ANSI/NFPA 70 festgelegten Spezifizierungen erfüllen. Wenn Sie mit Elektroinstallationen nicht vertraut sind, wenden Sie sich an einen Fachelektriker.
- Verbiegen Sie das Befestigungssystem der Flügel nicht, wenn Sie diese anbringen, neigen oder reinigen.
- Stecken Sie nichts zwischen die Ventilatorflügel.
- Verwenden Sie bei diesem Ventilator zur Senkung der Brandgefahr sowie des Risikos von Stromschlägen oder Motorschäden keinen Halbleiter-Drehzahlregler. Verwenden Sie ausschließlich die Original-Drehzahlregler.
- Dieses elektrische Haushaltsgerät kann von Kindern ab 8 Jahren und von Personen mit eingeschränkten körperlichen, sensorischen oder geistigen Fähigkeiten oder mangelnder Erfahrung oder begrenzten Kenntnissen verwendet werden, sofern sie von einer für Ihre Sicherheit verantwortlichen Person beaufsichtigt werden oder im sicheren Gebrauch des Geräts unterwiesen wurden. Kinder dürfen nicht mit diesem Gerät spielen. Sie dürfen das Gerät nur reinigen und pflegen, wenn sie älter als 8 Jahre sind und beaufsichtigt werden. Kinder müssen beim Gebrauch jedes elektrischen Haushaltsgeräts genau beaufsichtigt werden.

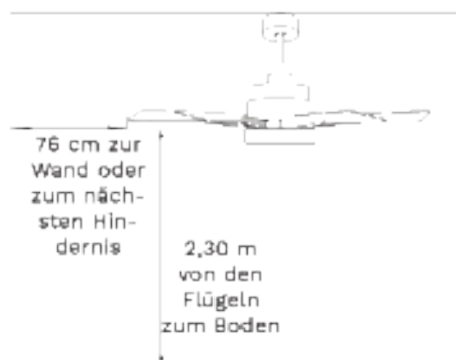
ANMERKUNG: Die in dieser Anleitung enthaltenen Anweisungen und Sicherheitsmaßnahmen können nicht auf alle möglichen Probleme und Situationen eingehen. Es wird sowohl gesunder Menschenverstand als auch Vorsicht bei der Montage und Verwendung des Ventilators vorausgesetzt.

INSTALLATIONSANWEISUNGEN

- Markieren Sie die richtige Position der Löcher und befestigen Sie die Deckenhalterung mit den Schrauben mit Metallanker oder Schrauben und Unterlegscheiben, die für den gewählten Deckentyp geeignet sind.
- Überprüfen Sie die korrekte Installation der Halterung, bevor Sie den Lüfter aufhängen. Diese Platte muss das volle Gewicht des Lüfters tragen.

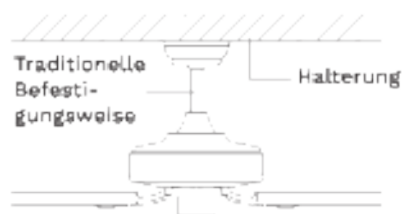
VORBEREITUNG DER INSTALLATION

- Vergewissern Sie sich zur Verhütung von Personenschäden und Verletzungen, dass die Flügel am Aufhängungsort mindestens 2,30 m vom Boden und 76 cm von der nächsten Wand oder dem nächsten Hindernis entfernt sind.
- Stellen Sie sicher, dass das Anschlussgehäuse sachdienlich an der Gebäudestruktur befestigt ist und das ganze Gewicht des Ventilators tragen kann.

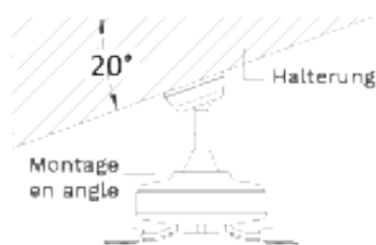


AUFHÄNGUNGSSTANGE EINBAUEN

- Wählen Sie die Aufhängungsstange, die am besten zu Ihrer Situation passt.
- Entfernen Sie die Schraube von der Stange, entfernen Sie den Stift und führen Sie das Verdeck (Dachverkleidung) und das Motorverdeck durch die Aufhängungsstange. Führen Sie anschließend die Kabel des Lüftermotors durch die Innenseite der Aufhängungsstange. Ziehen Sie die Aufhängungsstange am Motor fest und setzen Sie die Schraube und den Stift ein.



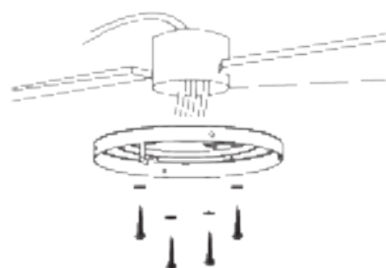
Bei der traditionellen Befestigungsweise hängt der Ventilator an einer Stange von der Decke.



Die abgewinkelte Befestigungsweise wird bei abgeschrägten oder gewölbten Decken empfohlen.

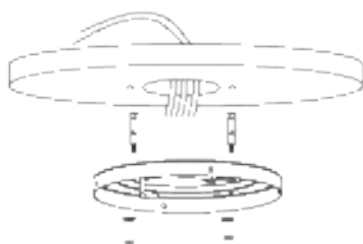
ANBRINGEN DER MONTAGEHALTERUNG

- Der Ausgangskasten und der Balken müssen sicher installiert sein und mindestens das Gewicht des Ventilators zuverlässig tragen können.



Holzdecken

Befestigen Sie die Montagehalterung sicher mit Holzschrauben und Unterlegscheiben an die Balken.

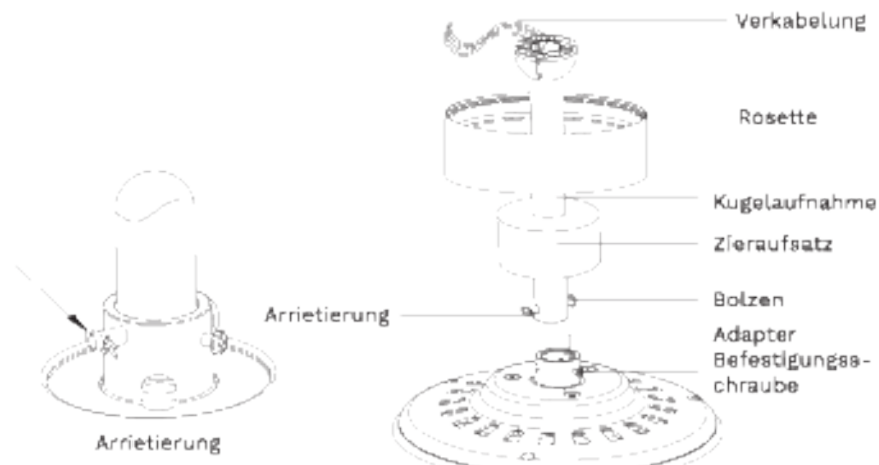


Beton-/Gipsdecken

Bohren Sie Löcher mit einem 8-mm-Bohrer entsprechend der Länge der Spreizschrauben. Befestigen Sie dann die Montagehalterung mit den Spreizschrauben.

Installieren Sie die Montagehalterung nicht direkt an Decken, die dünner als 10 mm sind, um das Risiko zu vermeiden, dass sich die Schraube löst.

ANSCHLIESSEN DER AUFHÄNGUNGSTANGE AN DAS MOTORGEHÄUSE



- Zur Verlängerung der Hängelänge des Ventilators entfernen Sie die Kugel mitgelieferten Aufhängungsstange und verwenden Sie die zusätzliche Verlängerungsstange (im Lieferumfang enthalten). (Wenn Sie Aufhängungsstange verwenden möchten, befolgen Sie die folgenden Anweisungen.)
- Lösen Sie zum Entfernen der Kugel von der Aufhängungsstange die Befestigungsschraube und ziehen Sie die Stifte heraus. Schieben Sie die Kugel nach unten und entfernen Sie den Anschlagstift. Schieben Sie die Kugel von der Aufhängungsstange herunter und stecken Sie sie auf die längere Aufhängungsstange (an der Stange befindet sich oben eine Bohröffnung für die Befestigungsschraube; befestigen Sie dort die Stange).

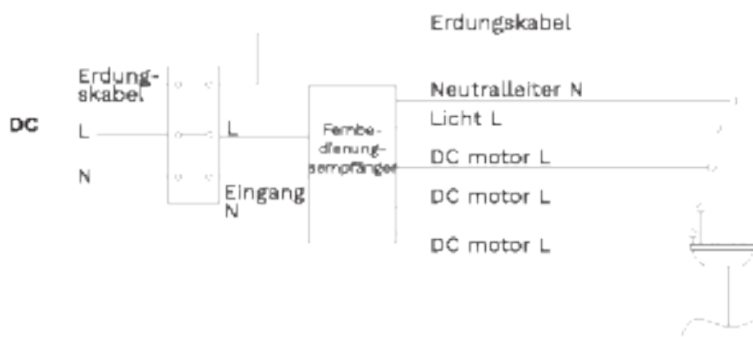
- Stecken Sie den Anschlagstift in das Ende der Aufhängungsstange und schieben Sie Kugel hinauf.
- Vergewissern Sie sich, dass der Anschlagstift an den Schlitzen in der Kugel ausgerichtet ist und ziehen Sie die Befestigungsschraube an.

Tipp: Wickeln Sie ein wenig Isolierband um die Kabel, damit sie sich leichter in die Stange einführen lassen. So werden sie dabei besser zusammengehalten.

- Lösen Sie die Befestigungsschrauben und die Unterlegscheibe oben am Motorgehäuse. Entfernen Sie die Stifte von der Stange (falls Sie dies nicht schon getan haben). Stecken Sie die Rosette auf die Stange.
- Ziehen Sie die Kabel durch die Stange und ziehen Sie zum Justieren an den oben aus der Stange heraushängenden Kabeln.
- Setzen Sie die Stange in das Motorgehäuse ein und bringen Sie die zuvor entfernten Stifte an. Ziehen Sie die Befestigungsschrauben und Unterlegscheiben an.
- Schieben Sie die Rosette hinunter zum Motorgehäuse.

VERBINDUNG ÜBER FERNBEDIENUNG

- Stellen Sie die Verbindung zwischen den Empfängerkabeln und den Lüftermotorkabeln gemäß den Farbangaben her. Stellen Sie sicher, dass die Verbindung fest ist.

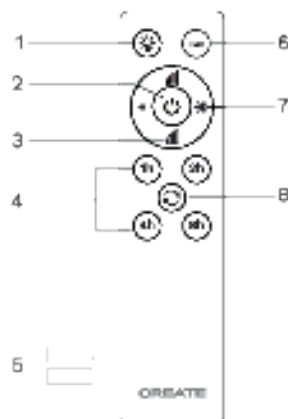


Einbauort des Empfängers:



1. **Licht
2. An / aus Schalter
3. Steuerung der Lüfterintensität
4. Timer
5. Batterien (2 x AAA)
6. **Farbtemperaturregelung
7. **Steuerung der Lichtintensität
8. Umkehrfunktion

**** Funktion nur bei installierter LED-Karte verfügbar.**



ANBRINGEN DER ROSETTE



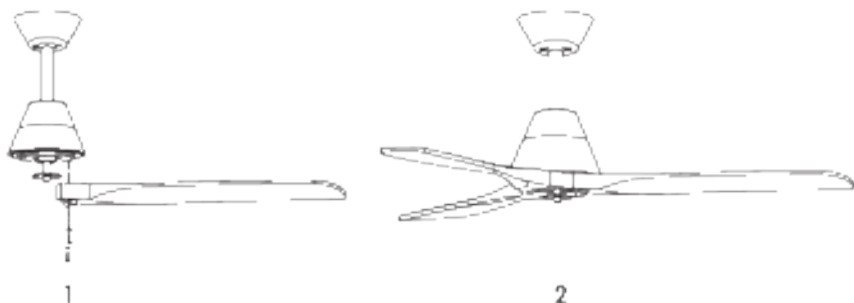
- Schieben Sie die Rosette bis zur Montagehalterung hinauf und richten Sie die gelösten Schrauben an der Montagehalterung an den Bohröffnungen der Rosette aus.
- Drehen Sie die Rosette zum Justieren. Setzen Sie die Schrauben wieder ein und ziehen Sie sie mit einem Schraubenzieher fest.
- Sobald die Montagehalterung am Anschlussgehäuse befestigt ist, können Sie den Ventilator aufhängen.
- Halten Sie den Ventilator fest in beiden Händen. Schieben Sie die Stange durch die Öffnung der Montagehalterung und lassen Sie die Kugel auf der Montagehalterung aufliegen.
- Drehen Sie die Kugelaufnahme, bis sie an der Lasche der Montagehalterung ausgerichtet ist.

Tipp: Wenn Sie auf der Leiter stehen, sollte eine zweite Person die Handleiter festhalten und Ihnen den Ventilator hochreichen.

ANBRINGEN DER FLÜGEL

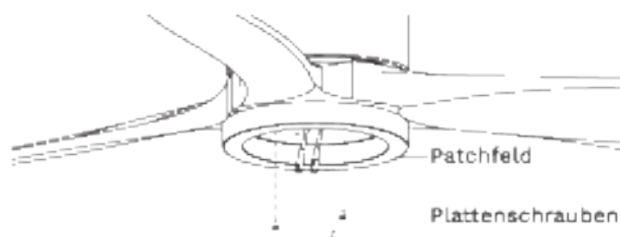
Richten Sie die Löcher im Klüngenhalter an den Löchern in den Klüngen und am Motorkörper aus und schrauben Sie sie fest. Ziehen Sie die Schrauben jedoch erst an, wenn sie alle eingesetzt und eingeschraubt sind.

Beratung: Um Zeit zu sparen, können Sie die Unterlegscheiben an jeder Schraube anbringen, bevor Sie die Klüngen installieren.



MONTAGE DES PATCHPANELS

- Haken Sie die Platte an der Unterseite des Lüfters ein, indem Sie die Schraubenköpfe in die dafür vorgesehenen Löcher einsetzen. Schrauben einschrauben und festziehen.



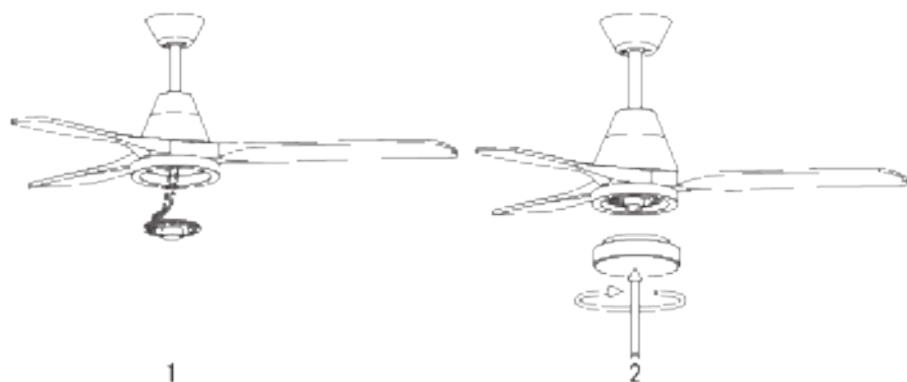
DECKENVENTILATOR MIT LED-LICHT

MONTAGE DES LED-PANELS UND DES DEKORATIVEN BILDSCHIRMS

- Verbinden Sie die einpoligen Stecker auf der Rückwandplatine mit denen auf dem LED-Panel. Das LED-Panel ist magnetisiert, sodass es einfach durch Zusammenfügen der beiden Teile an der Rückwandplatine befestigt werden kann.

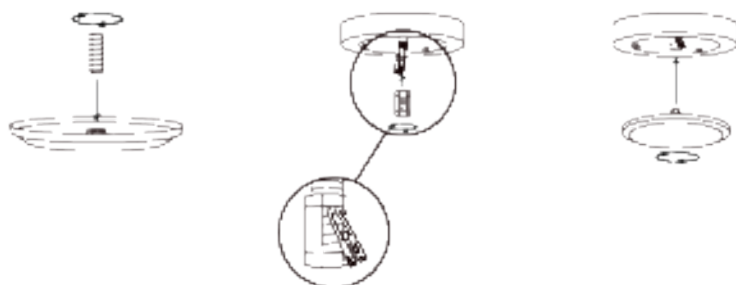
Hinweis: Achten Sie beim Installieren oder Entfernen der LED-Platine darauf, die Isolierlaschen nicht zu berühren. Ziehen Sie die Schrauben nicht zu fest an oder schrauben Sie sie nicht schnell ein, da dies die Isolierlaschen beschädigen kann.

- Platzieren Sie den dekorativen Bildschirm auf der LED-Platine.



DECKENVENTILATOR OHNE LED-LICHT

ZUSAMMENBAU DER DEKORATIVEN ABDECKUNG



- Nachdem die Verbindungsplatte montiert und gesichert wurde, schrauben Sie die dekorative Abdeckung mit der Mittelschraube wieder auf die Verbindungsplatte.

ÜBERPRÜFEN SIE DIE INSTALLATION

- Überprüfen Sie den korrekten Betrieb des Deckenventilators und stellen Sie sicher, dass in keinem Teil des Ventilators merkwürdige Bewegungen oder Fehlausrichtungen zu beobachten sind.
- Für den Fall, dass eine Art Brummen / Vibration zu sehen ist, können Sie die Klappen mit dem Schiebkit einstellen.
- Dieses Kit hat selbstklebende Gewichte und "u"-förmige Clips.
- Schalten Sie den Deckenventilator aus.
- Sie können den Clip in die Mitte einer Klinge legen und prüfen, ob die Vibration abnimmt.
- Schalten Sie den Lüfter ein und überprüfen Sie. Wenn keine Änderung erkennbar ist, schalten Sie den Lüfter aus und fügen Sie einen weiteren Clip an einer anderen Klinge hinzu oder verwenden Sie die Klebgewichte.

In Übereinstimmung mit den Richtlinien 2012/19 / EU und 2012/19 / EU über die Beschränkung der Verwendung gefährlicher Stoffe in elektrischen und elektronischen Geräten sowie deren Abfallentsorgung. Das Symbol mit der gekrümmten Mülltonne auf der Verpackung zeigt an, dass das Produkt am Ende seiner Nutzungsdauer als separater Abfall gesammelt wird. Daher muss jedes Produkt, das das Ende seiner Nutzungsdauer erreicht hat, an spezialisierte Abfallentsorgungsstellen zur selektiven Sammlung von elektrischen und elektronischen Abfallgeräten geliefert oder beim Kauf ähnlicher neuer Geräte an den Einzelhändler zurückgegeben werden (1): eine Basis. Die ordnungsgemäße getrennte Sammlung (2): die spätere Inbetriebnahme von Geräten, die zum umweltfreundlichen Recycling zur Behandlung und Entsorgung verwendet werden, trägt dazu bei, mögliche negative Auswirkungen auf Umwelt und Gesundheit zu vermeiden und das Recycling und die Wiederverwendung zu optimieren die Komponenten, aus denen das Gerät besteht... Die mühsamliche Beseitigung des Produkts durch den Benutzer impliziert die Anwendung von Verwaltungsmaßnahmen in Übereinstimmung mit den Gesetzen.



NEDERLANDS

Bedankt voor het kiezen van onze plafondventilator. Lees de instructies aandachtig door voordat u dit apparaat gebruikt en om er zeker van te zijn dat u het optimaal gebruikt. De hier vermelde veiligheidsmaatregelen verminderen het risico op brand, elektrische schokken en letsel als ze correct worden opgevolgd. Bewaar de handleiding op een veilige plaats voor toekomstig gebruik, evenals de garantie, aankoopbon en doos. Geef deze handleiding eventueel door aan de toekomstige eigenaar van het apparaat. Volg altijd de basisveiligheidsinstructies en risicopreventie-maatregelen bij het gebruik van een elektrisch apparaat. De fabrikant is niet aansprakelijk voor enige schade die het gevolg is van het niet naleven van deze instructies door de gebruiker.

ONDERDELEN LIJST

Open voorzichtig de verpakking en verwijder de onderdelen die erin zitten. Plaats ze op de grond op een tapijt of een stuk plastic dat groot genoeg is om schade te voorkomen.

Controleer of de onderstaande items in de verpakking zitten.



Overkapping



Stang



Jitbreidingsstang



Uitbreidings schroeven



Montagebeugel



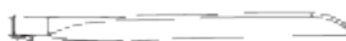
A-standsbediening



Motor



Decoratief element



Blader



Lampenpaneel

Optie met licht:



Decoratief scherm



LED-paneel

Optie zonder licht:



Bevestigingsschroeven



Decoratieve omslag

VEILIGHEIDSI NSTRUCTIES

Bij het gebruik van een elektrisch apparaat moeten de volgende fundamentele veiligheidsmaatregelen altijd in acht worden genomen.

- Lees deze handleiding zorgvuldig door voordat u met de installatie begint. Bewaar deze instructies.
- Om het risico van persoonlijk letsel te verminderen, bevestigt u de ventilator rechtstreeks op de ondersteunende structuur van het gebouw volgens deze instructies en gebruikt u alleen het meegeleverde materiaal.
- Om mogelijke elektrische schokken te voorkomen, moet u voordat u uw ventilator installeert de stroom uitschakelen door de stroomschakelaars in het elektrische paneel en de bijbehorende wandschakelaars uit te schakelen. Als het niet mogelijk is om de stroomschakelaars uit te schakelen, gebruik dan een waarschuwingsapparaat zoals een label op het elektrische paneel.
- Alle kabels moeten voldoen aan de specificaties die zijn vastgesteld door lokale en nationale elektrische voorschriften en ANSI / NFPA 70. Raadpleeg een gekwalificeerde elektricien als u niet bekend bent met elektrische installaties.
- Bulg het mesbevestigingssysteem niet tijdens het installeren, kantelen of reinigen van de messen.
- Steek geen andere voorwerpen tussen de ventilatorbladen.
- Gebruik geen solid-state snelheidsregelaar met deze ventilator om het risico op brand, elektrische schokken of motorschade te verminderen. Gebruik alleen originele snelheidsregelaars.
- Dit apparaat kan worden gebruikt door kinderen van 8 jaar en ouder en mensen met verminderde lichamelijke, zintuiglijke of geestelijke vermogens, of gebrek aan ervaring of beperkte kennis, op voorwaarde dat ze onder toezicht staan van een persoon die verantwoordelijk is voor hun veiligheid of die is opgeleid om het apparaat veilig. Kinderen mogen niet met dit apparaat spelen. Ze mogen ook het apparaat niet schoonmaken en onderhouden, tenzij ze ouder zijn dan 8 jaar en onder toezicht staan. Kinderen moeten nauwlettend worden gevolgd bij het gebruik van een apparaat.

NOTITIE: De instructies en veiligheidsmaatregelen in deze handleiding dekken mogelijk niet alle mogelijke problemen en situaties. U moet begrijpen dat zowel gezond verstand als voorzichtigheid essentieel zijn bij de installatie en het gebruik van de ventilator.

INSTALLATIE INSTRUCTIES

- Markeer de juiste positie van de gaten en bevestig de plafondbeugel met behulp van de metalen ankerbouten of schroeven en ringen die geschikt zijn voor het gekozen type plafond.
- Controleer de correcte montage van de beugel voordat u de ventilator ophangt. Deze plaat moet het volledige gewicht van de ventilator dragen.

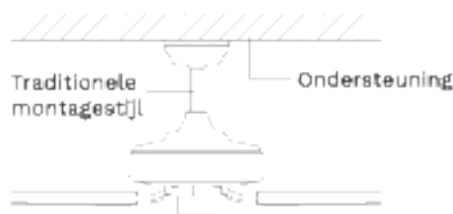
INSTALLATIE VOORBEREIDING

- Om persoonlijk letsel en letsel te voorkomen, moet u ervoor zorgen dat de plaats waar de ventilator moet worden opgehangen de bladen op een afstand van 2,3 m of meer van de grond en 76 cm van de dichtstbijzijnde muur of obstakel kan staan.
- Zorg ervoor dat de aansluitdoos goed is vastgemaakt aan de constructie van het gebouw en het volledige gewicht van de ventilator kan dragen.

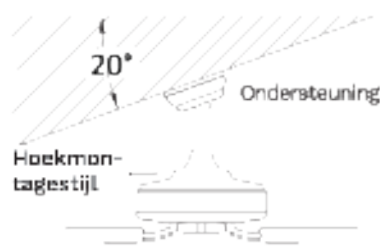


DE LOCATIE VAN DE VENTILATOR VOORBEREIDEN

- Kies de ophangstang die het beste bij uw situatie past.
- Verwijder de bout van de stang door de pen te verwijderen en steek de vin (dakrand) en motorroos door de ophangstang. Leid vervolgens de draden van de ventilatormotor in de ophangbeugel. Monteer de draagstang op de motor en steek de bout en pen erin.



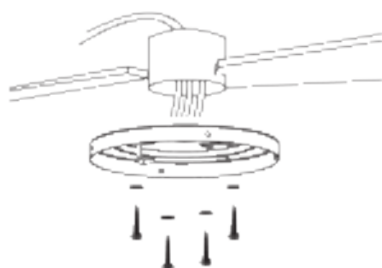
De traditionele beugel hangt met een paal aan het plafond.



Hoekmontage wordt aanbevolen bij schuine of gewelfde plafonds.

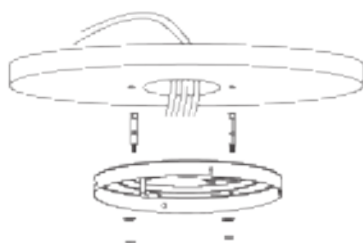
MONTAGEBEUGEL INSTALLATIE

- De afvoerkast en -balk moeten stevig zijn geïnstalleerd en in staat zijn om ten minste het gewicht van de ventilator betrouwbaar te dragen.



Houten daken

Bevestig de montagebeugel stevig met houtschroeven en ringen aan de balken.

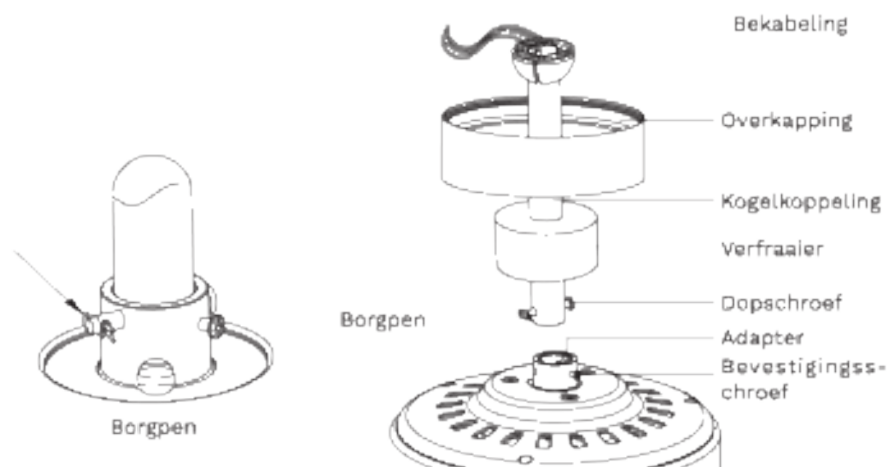


Betonnen / gipsplafonds

Boor gaten met een 8 mm boor, afhankelijk van de lengte van de expansieschroeven. Bevestig vervolgens de montagebeugel met de expansieschroeven.

Installeer de montagebeugel niet rechtstreeks op plafonds die dunner zijn dan 10 mm om het risico van losraken van de schroeven te voorkomen.

OPHANGSTANGVERBINDING MET MOTORBEHUUZING



- Als u de ophanglengte van uw ventilator wilt verlengen, verwijdert u de bal van de meegeleverde ophangbeugel u de extra verlengstang (meegeleverd). (Volg de onderstaande instructies ophangbeugel wilt gebruiken.)
- Om de bal van de ophangstang te verwijderen, draait u de stelschroef los en verwijdert u de pinnen. Laat de kogel zakken en verwijder de borgpen. Haal de bal uit de ophangstang en steek deze in de langere ophangstang (de bovenkant van de stang heeft een gat voor de stelschroef, gebruik deze om de stang vast te zetten).
- Steek de borgpen in het uiteinde van de ophangstang en breng de bal omhoog.

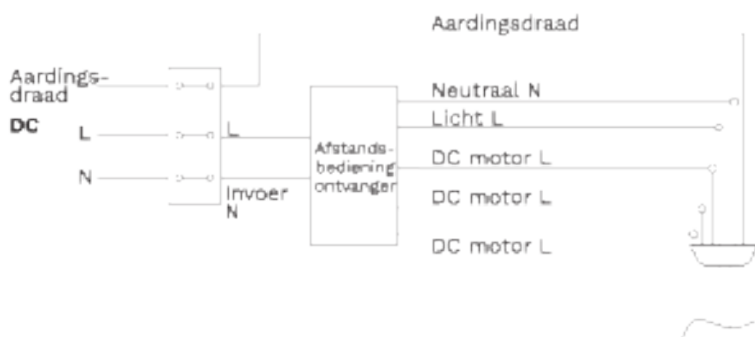
- Zorg ervoor dat de borgpen is uitgelijnd met de groeven in de kogel en draai de stelschroef vast.

Advies: Om het gemakkelijker te maken om de draden in de staaf te voeren, wikkel je wat elektrische tape om de draden. Dit zal je helpen ze bij elkaar te houden terwijl je ze in de stang steekt.

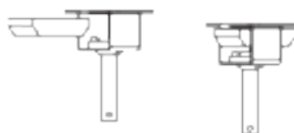
- Draai de stelschroeven en de ring aan de bovenkant van het motorhuis los. Verwijder de pinnen van de balk (als je dat nog niet hebt gedaan). Steek de rozet door de staaf.
- Leid de kabels door de stang en trek de overtollige kabels van de bovenkant van de stang om ze strak te trekken.
- Plaats de staaf in de motorbehuizing en steek de pinnen die u eerder hebt verwijderd. Draai de stelschroeven en ringen vast.
- Laat de rozet op het motorhuis zakken.

AFSTANDSBEDIENING VERBINDING

- Maak de verbinding tussen de ontvangerdraden en de ventilatormotordraden volgens de kleuraanduidingen. Zorg ervoor dat de verbinding stevig is.

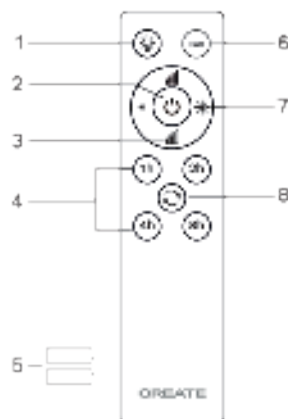


Plaatsing ontvanger:



1. **Licht
2. Aan / uit knop
3. Regeling van de intensiteit van de ventilator
4. Timer
5. Batterijen (2 x AAA)
6. **Kleurtemperatuurregeling
7. **Lichtintensiteitscontrole
8. Omgekeerde functie

**** Functie alleen beschikbaar met LED-kaart geïnstalleerd.**



MONTAGE VAN DE ROZET



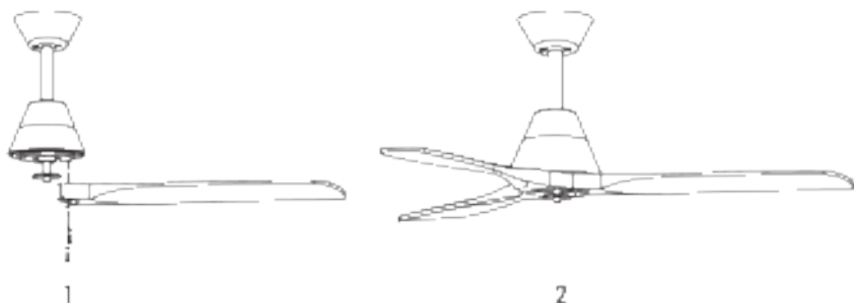
- Breng de rozet omhoog tot aan de montagebeugel en lijn de losgedraaide schroeven in de montagebeugel uit met de gaten in de rozet.
- Draai de vin om aan te passen. Plaats de schroeven terug en zet ze vast met een schroevendraaier.
- Nadat u de montagebeugel aan de aansluitdoos heeft bevestigd, kunt u doorgaan met het ophangen van de ventilator.
- Houd de ventilator stevig met beide handen vast. Steek de stang door de opening in de montagebeugel en laat de kogel op de montagebeugel rusten.
- Draai de kogelkoppeling totdat deze is uitgelijnd met het lipje op de montagebeugel.

Advies: Een andere persoon moet je helpen de ladder vast te houden en je de ventilator overhandigen zodra je de ladder hebt beklommen.

DE BLADEN IN ELKAAR ZETTEN

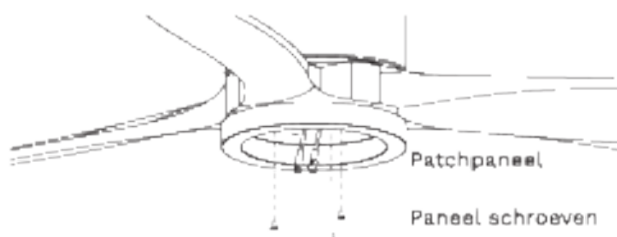
Lijn de gaten in de messteun uit met de gaten in de messen en het motorhuis en schroef ze op hun plaats, maar draai de schroeven pas vast als ze allemaal op hun plaats zitten en vastgeschroefd zijn.

Advies: Om tijd te besparen, kunt u de ringen op elke bout plaatsen voordat u de messen installeert.



MONTAGE VAN HET PATCHPANEEL

- Haak de plaat aan de onderkant van de ventilator door de schroefkoppen in de daarvoor bestemde gaten te staken. Draai de schroeven vast en zet ze vast.



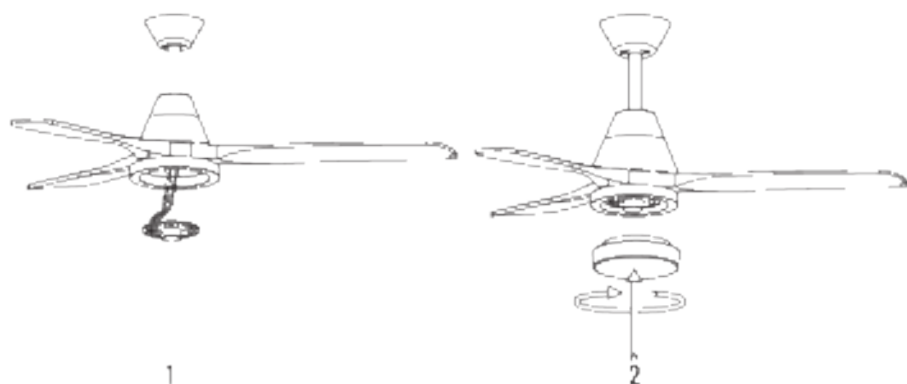
PLAFONDVENTILATOR MET LED-LICHT

MONTAGE VAN HET LED PANEEL EN HET DECORATIEVE SCHERM

- Verbind de enkele pinstekkers op de backplane met die op het LED-paneel. Het LED-paneel is gemagnetiseerd, zodat het eenvoudig aan de backplane wordt bevestigd door de twee delen samen te voegen.

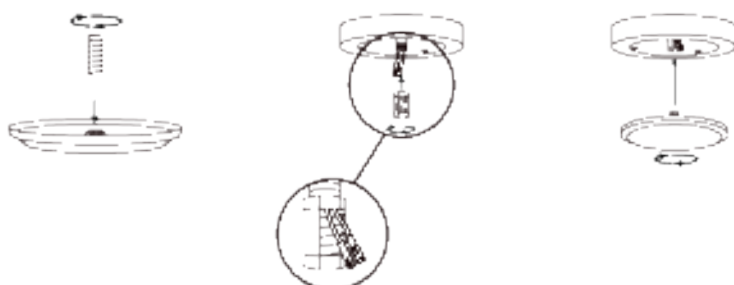
Notitie: Pas op dat u de isolatielipjes niet aanraakt tijdens het installeren of verwijderen van de LED-kaart. Draai de schroeven niet te strak aan en draai ze niet snel vast, aangezien dit de isolatielipjes kan beschadigen.

- Plaats het decoratieve scherm op het LED-bord.



PLAFONDVENTILATOR ZONDER LED-LICHT

DE DECORATIEVE HOES MONTEREN



- Nadat de aansluitplaat is gemonteerd en vastgezet, schroeft u de decoratieve afdekking met de middelste schroef weer op de aansluitplaat.

CONTROLEER DE INSTALLATIE

- Controleer de juiste werking van de plafondventilator en controleer of er geen vreemde beweging of verkeerde uitlijning wordt waargenomen in enig deel van de ventilator.
- In het geval dat enige vorm van brom / trilling te zien is, kunt u doorgaan met het afstellen van de messen met de balanceerkit.
- In deze kit heb je zelfklavende gewichten en U-vormige clips.
- Zet de plafondventilator uit.
- Je kunt de paperclip in het midden van elk mes plaatsen en controleren of de trilling afneemt.
- Zet de ventilator aan en controleer. Als er geen verandering is, zet dan de ventilator uit en voeg nog een clip toe aan een ander mes of gebruik de plakgewichten.



In overeenstemming met de richtlijn(en) 2012/19 / EU en 2013/562 / EU betreffende de beperking van het gebruik van gevaarlijke stoffen in elektrische en elektronische apparatuur, over de hun afvalverwerking. Het symbool met de gekruiste vuilnisbak op de verpakking geeft aan dat het product aan het einde van zijn levensduur als gescheiden afval wordt ingezameld. Daarom moet elk product dat het einde van zijn levensduur heeft bereikt, worden afgeleverd bij gespecialiseerde afvalverwijderingscentra voor de selectieve inzameling van algemene elektrische en elektronische apparatuur, of bij de aankoop van soortgelijk nieuwe apparatuur in één keer aan de dealer/verkooper worden gerecycled, waar dit is best. Een juiste gescheiden inzameling voor latere inbedrijfstelling van apparatuur die wordt gerecycled om te worden gerecycled, behalve als er op milieuvriendelijke wijze afgevoerd, helpt mogelijk negatieve effecten op het milieu en de gezondheid te voorkomen en optimaliseert recycling en hergebruik van de componenten waaruit het apparaat bestaat... De onrechtmatige eliminatie van het product door de gebruiker impliceert de toepassing van administratieve sancties in overeenstemming met de wetten.

Dziękujemy za wybranie naszego wentylatora sufitowego. Przed rozpoczęciem korzystania z tego urządzenia i aby zapewnić jego najlepsze wykorzystanie, należy uważnie przeczytać instrukcję.

Wymienione tutaj środki bezpieczeństwa zmniejszają ryzyko pożaru, porażenia prądem elektrycznym i obrażeń, jeśli są właściwie przestrzegane. Instrukcję należy przechowywać w bezpiecznym miejscu do wykorzystania w przyszłości, jak również gwarancję, dowód zakupu i opakowanie. Jeśli ma to zastosowanie, należy przekazać tę instrukcję przyszłemu właścicielowi urządzenia. Podczas korzystania z urządzenia elektrycznego należy zawsze przestrzegać podstawowych instrukcji bezpieczeństwa i środków zapobiegania ryzyku. Producent nie ponosi odpowiedzialności za szkody wynikające z nieprzestrzegania niniejszej instrukcji przez użytkownika.

LISTA CZĘŚCI

Ostrożnie otwórz opakowanie i wyjmij części, które są w środku. Umieść je na podłodze na dywanie lub kawałku plastiku wystarczająco dużym, aby uniknąć uszkodzeń.

Sprawdź, czy elementy wymienione poniżej znajdują się wewnątrz opakowania.



Rozeta



Drażek



Drażek przedłużający



Wkręty rozporowe



Uchwyt montażowy



Zdalne sterowanie



Motor



Element dekoracyjny



Łopatk



Panel lampy

Opcja ze światłem:



Dekoracyjny ekran

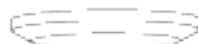


Panel LED

Opcja bez światła:



Śruby mocujące



Dekoracyjna okładka

INSTRUKCJE BEZPIECZEŃSTWA

Podczas korzystania z dowolnego urządzenia elektrycznego należy zawsze przestrzegać następujących podstawowych środków ostrożności.

- Prosimy o uważne przeczytanie niniejszej instrukcji przed rozpoczęciem instalacji. Zachowaj te instrukcje.
- Aby zmniejszyć ryzyko obrażeń ciała, należy przymocować wentylator bezpośrednio do konstrukcji nośnej budynku zgodnie z niniejszymi instrukcjami i używać wyłącznie dostarczonego materiału.
- Aby uniknąć możliwego porażenia prądem, przed zainstalowaniem wentylatora odłącz zasilanie, wyłączając przetworniki zasilania w panelu elektrycznym i powiązane przetworniki ścienne. Jeśli nie można wyłączyć przetworników zasilania, użyj urządzenia ostrzegawczego, takiego jak etykieta na panelu elektrycznym.
- Wszystkie kable muszą spełniać specyfikacje określone przez lokalne i krajowe przepisy elektryczne oraz ANSI / NFPA 70. Jeśli nie jesteś zaznajomiony z instalacjami elektrycznymi, skonsultuj się z wykwalifikowanym elektrykiem.
- Nie zginaj systemu mocowania ostrzy podczas montażu, przechyłania lub czyszczenia ostrzy.
- Nie wkładaj innych przedmiotów między łopatki wentylatora.
- Aby zmniejszyć ryzyko pożaru, porażenia prądem lub uszkodzenia silnika, nie używaj półprzewodnikowego regulatora prędkości z tym wentylatorem. Używaj tylko oryginalnych regulatorów prędkości.
- To urządzenie może być używane przez dzieci w wieku 8 lat i starsze oraz osoby o ograniczonych zdolnościach fizycznych, sensorycznych lub umysłowych, lub z brakiem doświadczenia lub ograniczoną wiedzą, pod warunkiem, że są one nadzorowane przez osobę odpowiedzialną za ich bezpieczeństwo lub która została przeszkolona w obsłudze urządzenia bezpiecznie. Dzieci nie mogą bawić się tym urządzeniem. Nie powinni też czyścić i konserwować urządzenia, chyba że mają ponad 8 lat i są pod nadzorem. Dzieci muszą znajdować się pod ścisłym nadzorem podczas korzystania z jakiegokolwiek urządzenia.

UWAGA: Instrukcje i środki ostrożności zawarte w tej instrukcji mogą nie obejmować wszystkich możliwych problemów i sytuacji. Musisz zrozumieć, że zarówno zdrowy rozsądek, jak i ostrożność są niezbędne podczas instalacji i użytkowania wentylatora.

INSTRUKCJE INSTALACJI

- Zaznacz prawidłowe położenie otworów i zamocuj wspornik sufitowy za pomocą metalowych śrub kotwiących lub śrub i podkładek odpowiednich dla wybranego typu sufitu.
- Przed zawieszeniem wentylatora należy sprawdzić poprawność montażu wspornika. Płyta ta musi wytrzymać cały ciężar wentylatora.

PRZYGOTOWANIE DO INSTALACJI

- Aby uniknąć obrażeń ciała i obrażeń cięta, upewnij się, że miejsce, w którym ma być zawieszony wentylator, pozwala na umieszczenie topatek w odległości równej lub większej niż 2,3 m od ziemi i 76 cm od najbliższej ściany lub przeszkody.
- Upewnij się, że skrzynka przyłączeniowa jest odpowiednio przymocowana do konstrukcji budynku i może wytrzymać cały ciężar wentylatora.

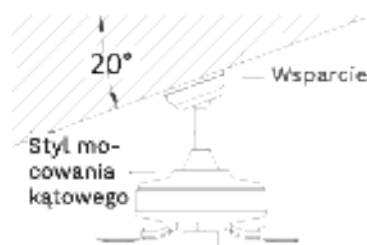


PRZYGOTOWANIE LOKALIZACJI WENTYLATORA

- Wybierz belkę do zawieszania, która najlepiej pasuje do Twojej sytuacji.
- Odkręć śrubę z prętą, wyjmując sworzeń i przeprowadź płetwę (wykończenie dachu) i silnik podniesiony przez pręt wieszaka. Następnie poprowadź przewody silnika wentylatora wewnątrz pręta wieszaka. Przymocuj wieszak do silnika i wtóż śrubę i kołek.



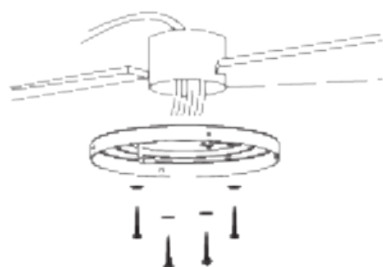
Tradycyjny uchwyt zwisa z sufitu za pomocą stupa.



Montaż pod kątem jest zalecany na stropach skośnych lub sklepionych.

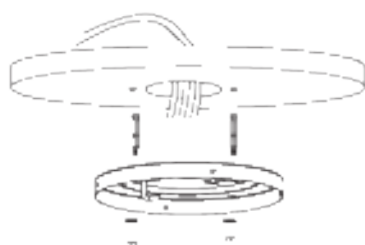
MONTAŻ WSPORNIKA MONTAŻOWEGO

- Skrzynka wylotowa i belka muszą być solidnie zainstalowane i zdolne do pewnego utrzymania co najmniej ciężaru wentylatora.



Drewniane dachy

Mocno przymocuj wspornik montażowy za pomocą wkrętów do drewna i podkładek do legarów.

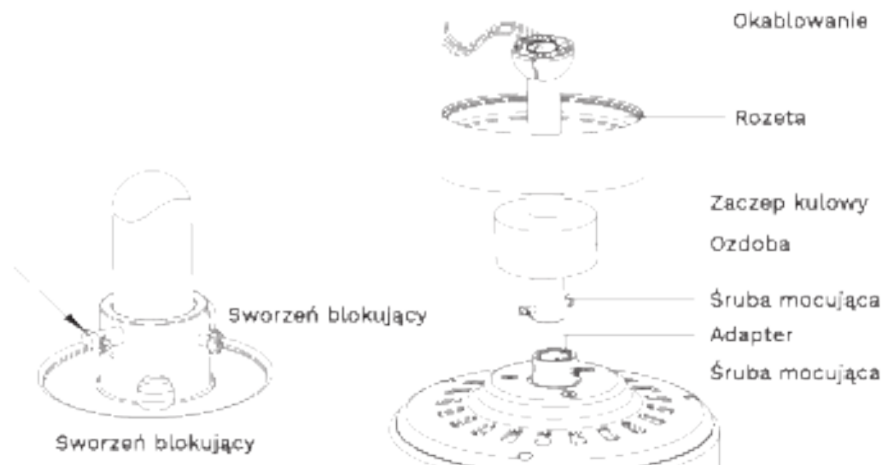


Stropy betonowe / gipsowe

Wywierć otwory wiertłem 8 mm zgodnie z długością wkrętów rozporowych. Następnie zamocuj wspornik montażowy za pomocą śrub rozporowych.

Nie instaluj wspornika montażowego bezpośrednio na sufitach, które są cieńsze niż 10 mm, aby uniknąć ryzyka poluzowania się śruby.

MONTAŻ I ZAWIESZANIE WENTYLATORA



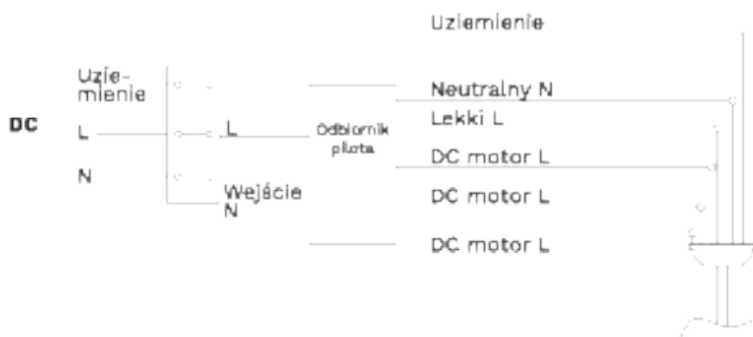
- Jeśli chcesz przedłużyć zawieszanie wentylatora, zdejmij kulę z dotychczasowego drążka do zawieszania i użyj dodatkowego drążka przedłużającego. (Jeśli chcesz użyć oryginalnego wieszaka, postępuj zgodnie z poniższymi instrukcjami).
- Aby zdjąć kulę z pręta wieszaka, poluzuj śrubę ustalającą i wyjmij kotki. Opuść kulę i wyjmij zawleczkę. Wyjmij kulę z pręta wieszaka i włóż ją do dłuższego drążka wieszaka (w górnej części drążka znajduje się otwór na śrubę ustalającą, użyj tego do zamocowania drążka).
- Włóż kotek blokujący do końca pręta wieszaka i podnieś kulę.
- Upewnij się, że kotek blokujący jest wyrównany z rowkami wewnątrz kuli i dokręć śrubę ustalającą.

Rada: Aby ułatwić wprowadzanie przewodów do pręta, owiń je taśmą izolacyjną. Pomocze ci to utrzymać je razem podczas wkładania ich do paska.

- Poluzuj wkręty ustalające i podkładkę na górze obudowy silnika. Usuń szpilki z paska (jeśli jeszcze tego nie zrobiłeś). Przetnij rozetę przez pręt.
- Przetnij kable przez pręt i pociągnij nadmiar kabli od góry pręta, aby je dokręcić.
- Umieść pręt wewnątrz obudowy silnika i włoż kołki, które wcześniej wyjąłeś. Dokręć śruby dociskowe i podkładki.
- Opuść rozetę na obudowę silnika.

POŁĄCZENIE ZDALNEGO STEROWANIA

- Wykonać połączenie między przewodami odbiornika i przewodami silnika wentylatora zgodnie ze wskazaniami kolorystycznymi. Upewnij się, że połączenie jest szczelne.

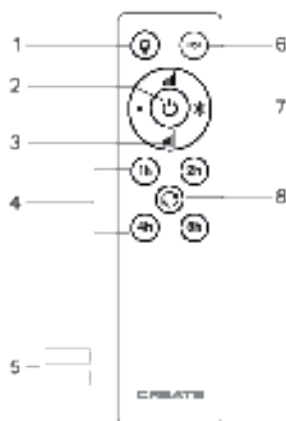


Umieszczenie odbiornika:

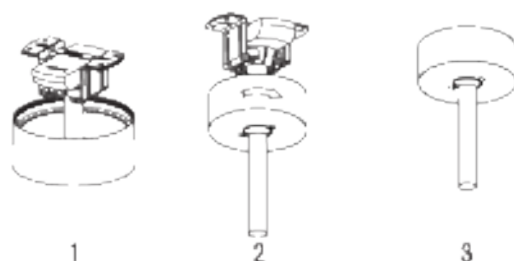


1. **Światło
2. Włącznik / wyłącznik
3. Kontrola intensywności wentylatora
4. Regulator czasowy
5. Baterie (2 x AAA)
6. **Regulacja temperatury barwowej
7. **Kontrola natężenia światła
8. Funkcja odwrotna

**** Funkcja dostępna tylko przy zainstalowanej płycie LED.**



MONTAŻ ROZETY



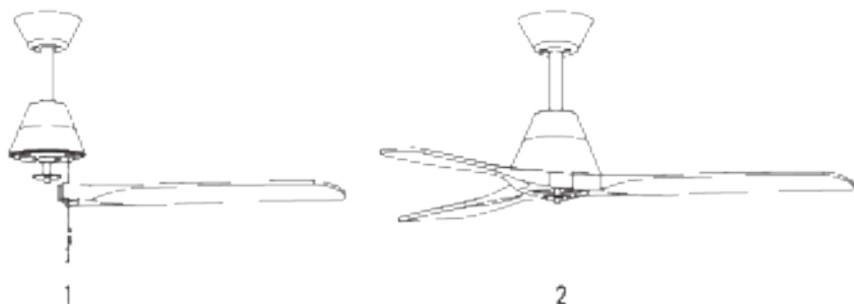
- Podnieś rozetę do wspornika montażowego i wyrównaj poluzowane śruby wspornika montażowego z otworami w rozecie.
- Obróć płetwę, aby wyregulować. Ponownie włóż śruby i zamocuj je śrubokrętem.
- Po przymocowaniu wspornika montażowego do skrzynki przyłączeniowej można przystąpić do zawieszenia wentylatora.
- Mocno trzymaj wentylator obiema rękami. Przetóż pręt przez otwór we wsporniku montażowym i pozwól kuli spocząć na wsporniku montażowym.
- Obróć zaczep kulowy, aż zrówna się z wypustką na wsporniku montażowym.

Rada: Druga osoba powinna pomóc ci trzymać drabinę i wręczyć ci wentylator po wejściu na drabinę.

MONTAŻ ŁOPATKI

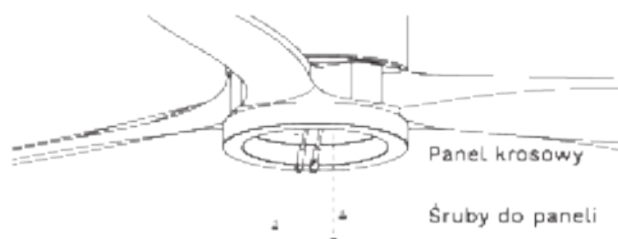
Dopasuj otwory we wsporniku ostrza do otworów w ostrzach i korpusie silnika i przykręć je na miejsce, ale nie dokręcaj śrub, dopóki wszystkie nie znajdą się na miejscu i nie zostaną wkręcone.

Rada: Aby zaoszczędzić czas, przed zamontowaniem ostrzy można nałożyć podkładki na każdą śrubę.



MONTAŻ PANELU KROSOWEGO

- Zawiesić płytę na spodzie wentylatora, wkładając tły śrub w wyznaczone otwory. Wkręć śruby, a następnie zabezpiecz je.



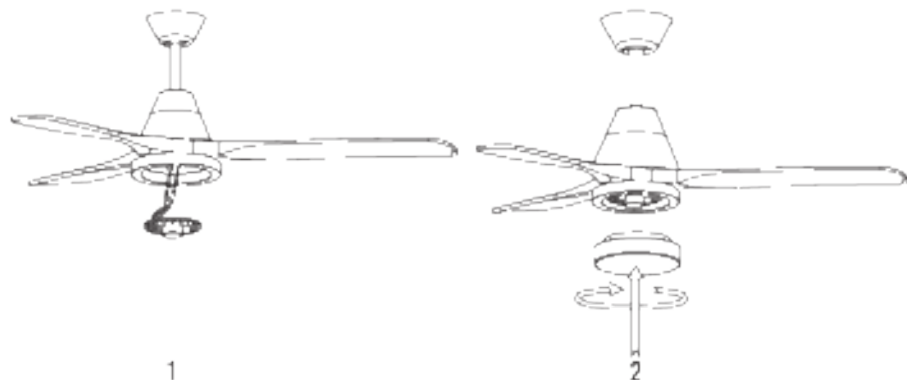
WENTYLATOR SUFITOWY Z OŚWIETLENIEM LED

MONTAŻ PANELU LED I EKRANU DEKORACYJNEGO

- Połącz pojedyncze wtyczki na płycie montażowej z wtyczkami na panelu LED. Panel LED jest namagnesowany, więc jest mocowany do płyty montażowej po prostu przez złożenie dwóch części razem.

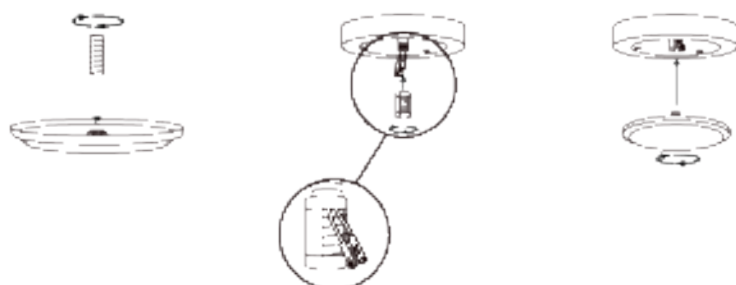
Uwaga: Podczas instalowania lub wyjmowania płyty wskaźników LED należy uważać, aby nie dotknąć zakładek izolacyjnych. Nie dokręcaj śrub zbyt mocno ani nie wkręcaj ich zbyt szybko, ponieważ może to spowodować uszkodzenie zakładek izolacyjnych.

- Umieść dekoracyjny ekran na płycie LED.



WENTYLATOR SUFITOWY BEZ ŚWIATŁA LED

MONTAŻ OZDOBNEJ OSŁONY



- Po zamontowaniu i zabezpieczeniu płytki przyłączeniowej przykręcić pokrywę dekoracyjną z powrotem do płytki łączącej za pomocą środkowej śruby.

SPRAWDŹ INSTALACJĘ

- Sprawdź poprawność działania wentylatora sufitowego, sprawdzając, czy nie zaobserwowano dziwnych ruchów lub niewspółosiowości w żadnej części wentylatora.
- W przypadku zauważenia jakiegokolwiek przydźwięku / wibracji, można przystąpić do regulacji ostrzy za pomocą zestawu wyważającego.
- W tym zestawie masz samoprzylepne ciężarki i klipsy w kształcie litery U.
- Wyłącz wentylator sufitowy.
- Możesz umieścić spinacz w środku dowolnego ostrza i sprawdzić, czy wibracje spadną.
- Włącz wentylator i sprawdź. Jeśli nie ma zmian, wyłącz wentylator i dodaj kolejny klips do innego ostrza lub użyj ciężarków samoprzylepnych.

Zgodnie z dyrektywami 2012/18 / UE i 2015/368 / UE w sprawie ograniczenia stosowania niebezpiecznych substancji w sprzęcie elektrycznym i elektronicznym, w celu ich usunięcia. Symbol z przekreślonym pojemnikiem na śmieci pokazuje na opakowaniu oznacza, że produkt pod koniec okresu użytkowania będzie zliczony jako osobny odpad. Dlatego każdy produkt, który osiągnął koniec okresu użytkowania, musi zostać dostarczony do wyspecjalizowanych centrów usuwania odpadów w celu selektywnej zbiórki ze względu na jego charakter elektryczny i elektroniczny lub oddany do spracowania przy zakupie podobnego nowego sprzętu, w jednym zle jedną bieżą. Właściciel selektywnie zbiórki w celu późniejszego uruchomienia sprzętu przeznaczanego do recyklingu, obróbki i utylizacji w sposób przyjazny dla środowiska pomoże zapobiec potencjalnym negatywnym skutkom dla środowiska i zdrowia oraz optymalizując recyklingi ponowne użycie elementów składających się na urządzenie. Nawet jeśli usuniesz produkt przez zwykłych mieszkańców, nie unikasz odpowiedzialności z punktu widzenia zgodności z prawem.



CREATE