

GYM
form®

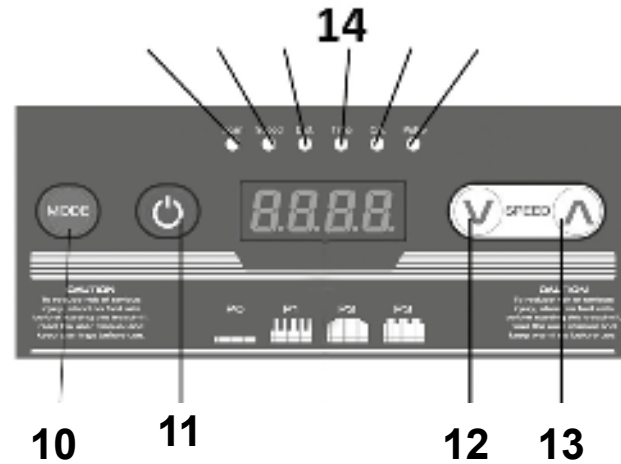
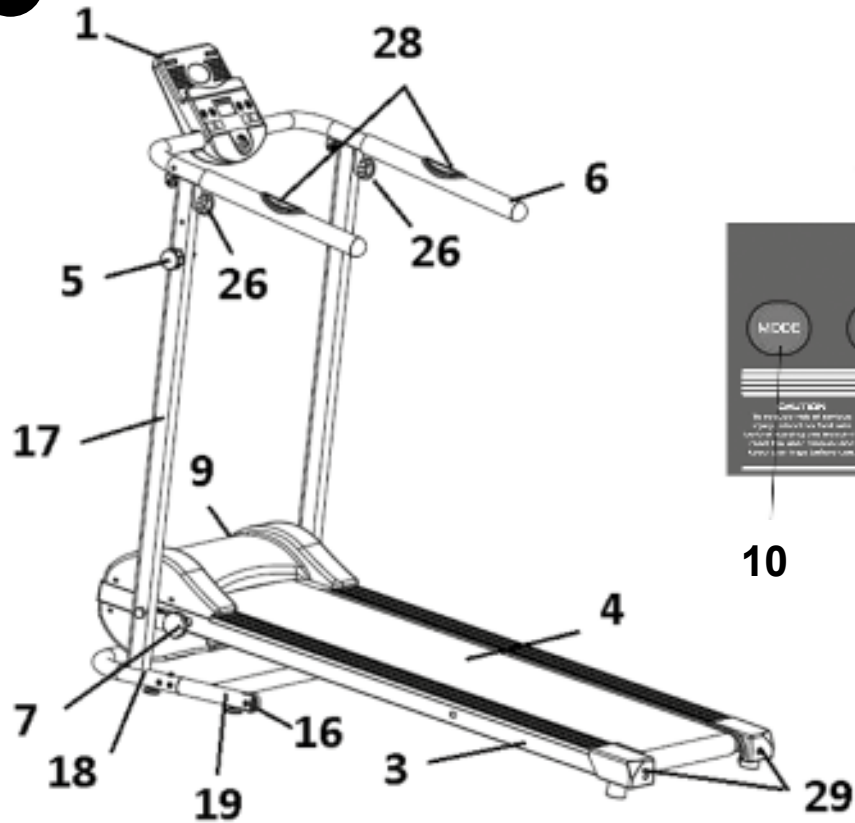
SLIM FOLD TREADMILL



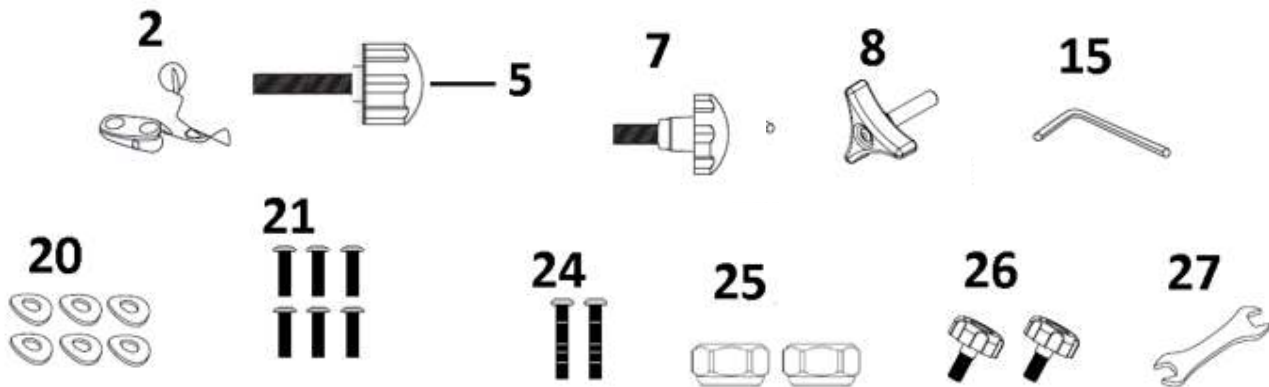
-  *Instruction Manual*
-  *Manual de instrucciones*
-  *Mode d'emploi*
-  *Bedienungsanleitung*
-  *Istruzioni per l'uso*
-  *Manual de instruções*
-  *Gebruiksaanwijzing*

International patents pending. All imitations will be prosecuted.
GYMFORM® SLIM FOLD TREADMILL is a registered EU/CTM trade mark.

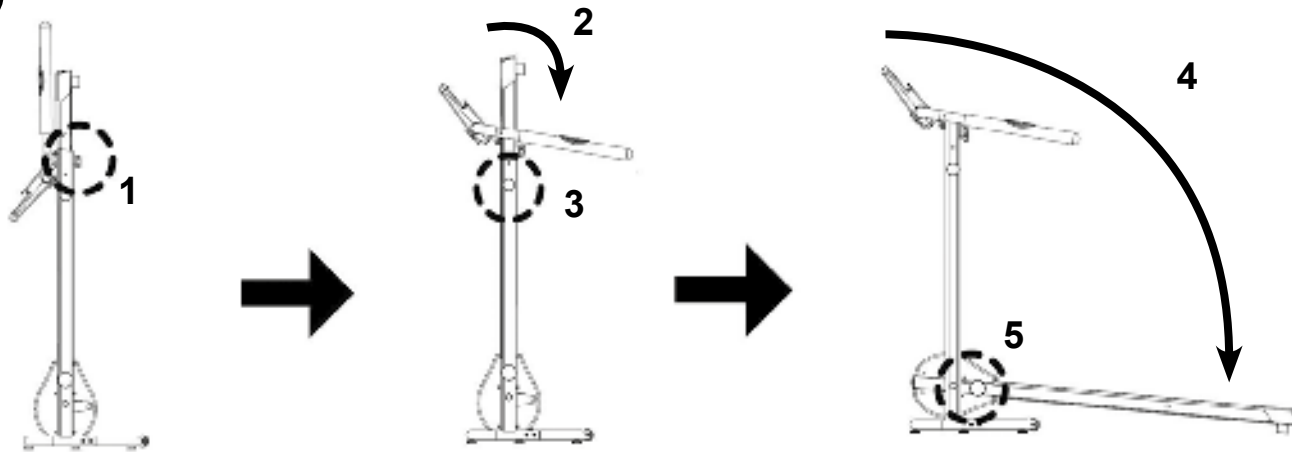
1

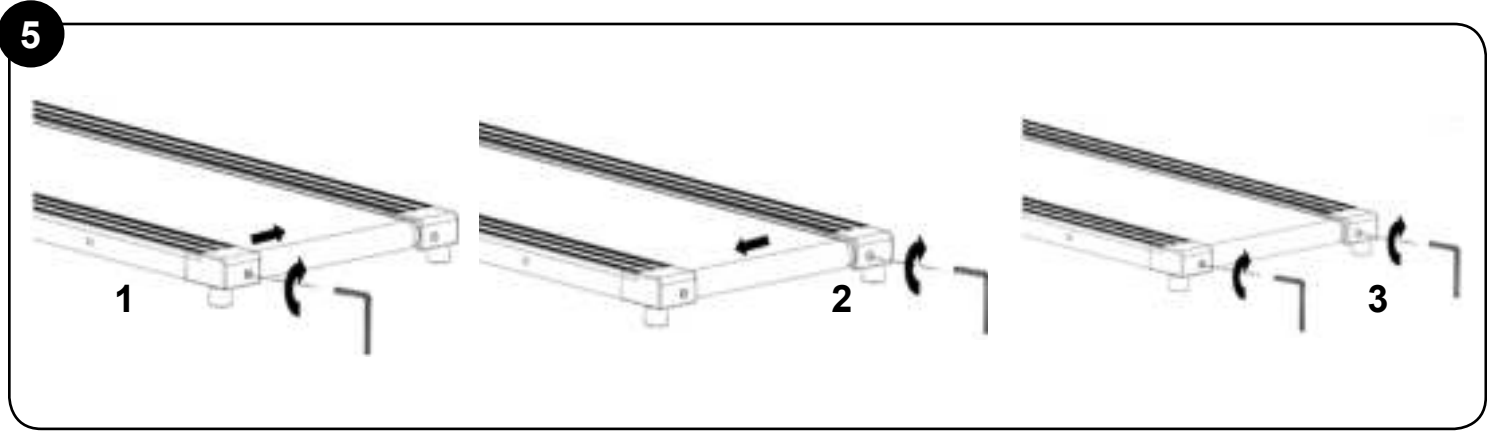
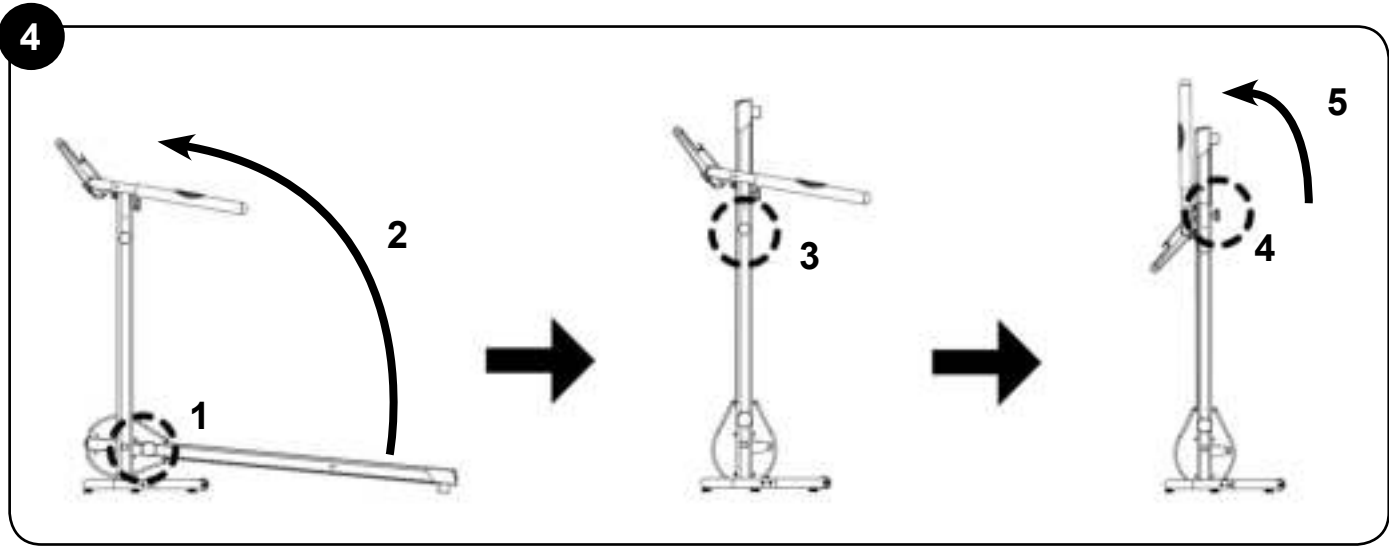


2

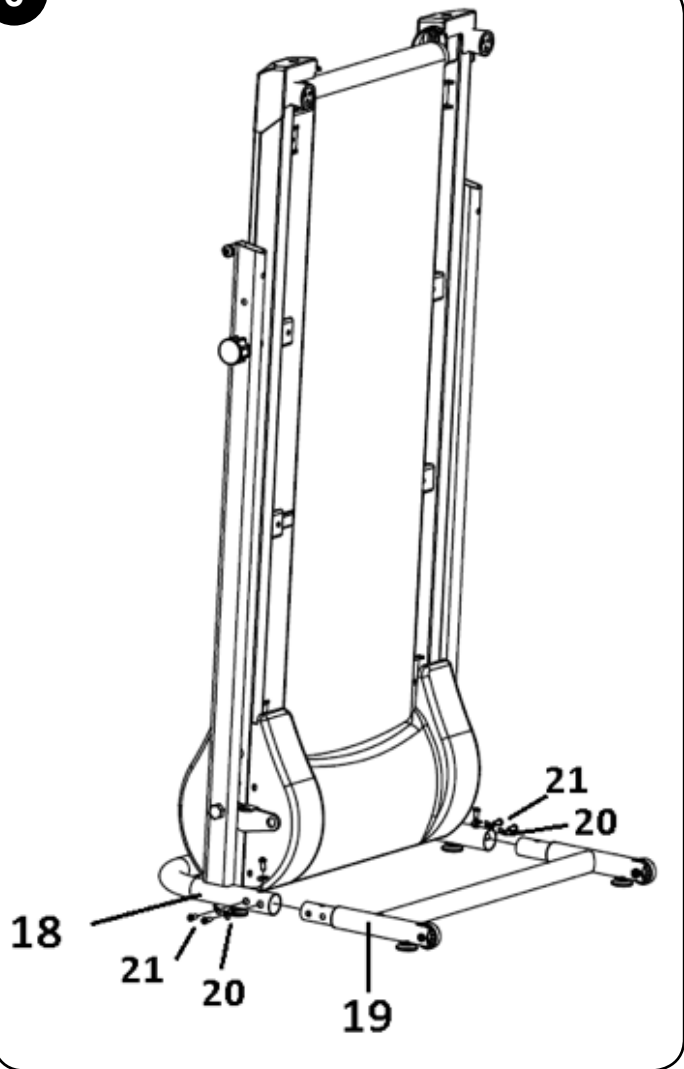


3

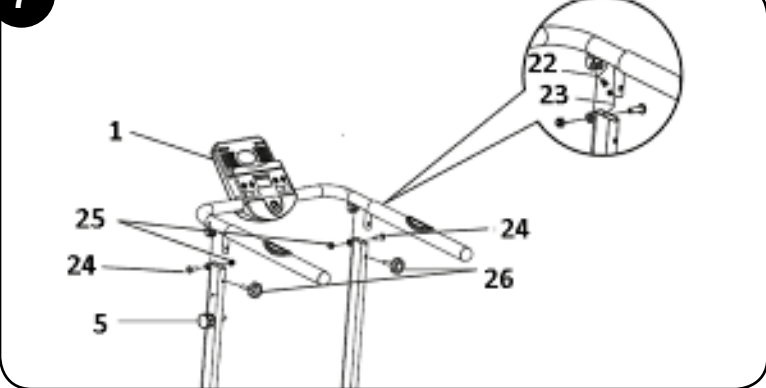




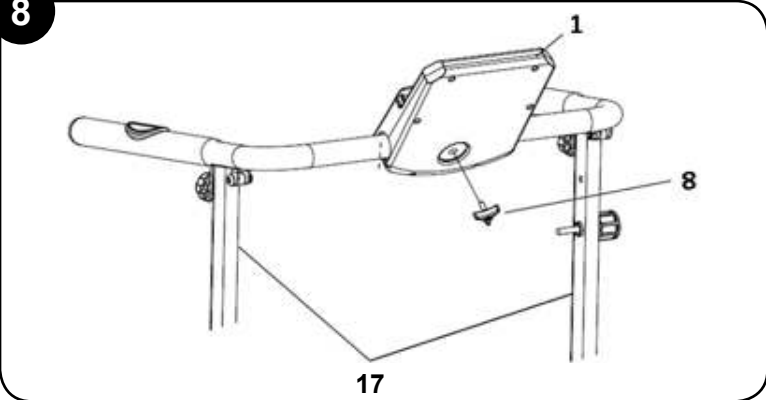
6



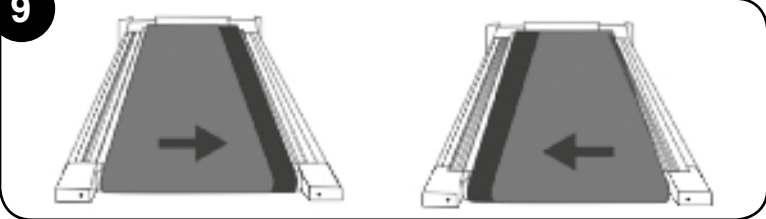
7



8



9



P1 program										
6.0 km/h										
5.0 km/h		■		■		■		■		■
4.0 km/h		■		■		■		■		■
3.0 km/h		■		■		■		■		■
2.0 km/h	■	■	■	■	■	■	■	■	■	■
1.0 km/h	■	■	■	■	■	■	■	■	■	■
0.0 km/h	■	■	■	■	■	■	■	■	■	■
Preset 10 mins	1	2	3	4	5	6	7	8	9	10
Preset 20 mins	2	4	6	8	10	12	14	16	18	20
Preset 30 mins	3	6	9	12	15	18	21	24	27	30

P2 program										
6.0 km/h			■	■	■	■	■	■	■	
5.0 km/h			■	■	■	■	■	■	■	
4.0 km/h			■	■	■	■	■	■	■	
3.0 km/h			■	■	■	■	■	■	■	
2.0 km/h	■	■	■	■	■	■	■	■	■	■
1.0 km/h	■	■	■	■	■	■	■	■	■	■
0.0 km/h	■	■	■	■	■	■	■	■	■	■
Preset 10 mins	1	2	3	4	5	6	7	8	9	10
Preset 20 mins	2	4	6	8	10	12	14	16	18	20
Preset 30 mins	3	6	9	12	15	18	21	24	27	30

P3 program										
6.0 km/h		■	■		■	■		■	■	
5.0 km/h		■	■		■	■		■	■	
4.0 km/h		■	■		■	■		■	■	
3.0 km/h	■	■	■	■	■	■	■	■	■	■
2.0 km/h	■	■	■	■	■	■	■	■	■	■
1.0 km/h	■	■	■	■	■	■	■	■	■	■
0.0 km/h	■	■	■	■	■	■	■	■	■	■
Preset 10 mins	1	2	3	4	5	6	7	8	9	10
Preset 20 mins	2	4	6	8	10	12	14	16	18	20
Preset 30 mins	3	6	9	12	15	18	21	24	27	30

Warnings

Important: Keep these instructions for future reference. Read all instructions in the documentation provided with your exercise device before installation, including all assembly guides, user guides, and owner's manuals.

- Always follow basic safety precautions when using this device to reduce the chance of injury, fire or damage.

This appliance can be used by children aged from 8 years and above and persons with reduced physical, sensory or mental capabilities or lack of experience and knowledge if they have been given supervision or instruction concerning use of the appliance in a safe way and understand the hazards involved. Children shall not play with the appliance. Cleaning and user maintenance shall not be made by children without supervision.

- Do not leave the device unattended when it is plugged in. Unplug the device from its power source when it is not in use.

- Make sure all users see a physician for a complete physical examination before they begin

any fitness program, especially in case of high blood pressure, high cholesterol levels, heart disease, a family history of any of the disorders mentioned, being over age 45, being a smoker, obesity, lack of regular training in the previous year, or when taking any kind of medication.

- Make sure the product components are in good condition before using the device the first time. If the components are damaged, the device cannot be used. Please return it to your store.

- The device is only for personal, indoor use. It is not designed for commercial use.

- The distributor is not liable for any loss or damage caused by misuse of the device.

- Never tug on the power cable.

- Do not jump on the device because it may damage the unit.

- If the supply cord is damaged, it must be replaced by the manufacturer, its service agent or similarly qualified persons in order to avoid a hazard.

- **WARNING!** Heart rate monitoring systems may be inaccurate. Over-exercising may result in serious injury or death. If you feel faint, stop exercising immediately.

- The device makes more noise when bearing a load than when load free.

- The treadmill should not be operated while it is folded.

- Ensure the running surface has stopped completely before folding the device.

- Never try to service the equipment yourself. Consult an expert about the problem.

- After the device is used, it should always be turned off and cleaned. Turn the device off and disconnect it from the power source before you start cleaning it.

- If you use the device on a rug, make sure the ventilation openings are not covered.

- Do some warm-up exercises before you start using the device. Start the exercises slowly and gradually increase the intensity.

- The device can be used by only one person per session. It should not be used by more than one person at the same time.

- Pregnant women **SHOULD NOT** use the device.

- Stop using the device immediately if you feel uncomfortable or dizzy. Consult a physician immediately if you do not feel well or have chest pain or

any other symptoms.

- If you have not done exercise for a long time or if you have a heart condition, a circulatory disorder or an orthopaedic problem, consult a physician before using the device.

- This device is not designed for use by children or persons with reduced mental or physical capabilities unless they are supervised or instructed by someone responsible for their safety.

- Children should be supervised at all times to ensure they do not play with the device.

- Do not use the device if you weigh more than 110 kg.

- This device is designed for individual use. Any breakdown caused by improper use is not covered by the warranty.

- Make sure the device is on a flat surface. Do not use dangling clothing on the treadmill and do not scuff the treadmill, as this will make it difficult to use. Wear sport shoes when using the treadmill.

Do not start the treadmill while standing on it. The best position when turning on the device is to stand with one foot on either side of the treadmill. If the initial speed of the treadmill is too fast, do not jump on the treadmill. Start using it at a lower speed and increase it gradually.

8 - Do not suddenly stop walking or

running on the treadmill. Press the ON/OFF button and the treadmill will gradually stop.

- Stop walking when the treadmill stops.

- Leave a safety area of 2 metres by 1 metre behind the treadmill.

1m = 3,28 feet



PRECAUTION: DO NOT remove the cover of the control panel, as this may cause an electric shock. The parts inside cannot be repaired by the user.

Product description

1. Control panel
2. Emergency key
3. Base

4. Treadmill
5. Vertical bar screw
6. Handlebars
7. Lock screw
8. Control panel screw
9. ON/OFF button
10. MODE button

11. button
12. ↓ button
13. ↑ button
14. Function indicators
15. ⏻ Small Allen key
16. ⚙️ Wheels
17. Vertical bars
18. Metal base
19. Base extension
20. Washers x 6
21. Screws x 6
22. Handlebar cable
23. Vertical bar cable
24. Screws x 2
25. Nuts x 2
26. Handlebar screws
27. Spanner
28. Pulse sensors
29. Belt screws

Assembly Instructions

1. Open the box, unpack all the parts and take out the treadmill.

INSTALLING THE METAL BASE (See Picture 6)

2. Place the treadmill in the upright position on a flat surface.

3. Make sure that the screw on the vertical bar (5) is in place and is attaching the base (3) to the vertical bar (17).

4. Attach the base extension (19) to the metal base (18) with six washers (20) and six screws (21) and the large Allen key (15).

INSTALLING THE HANDLEBARS (See Picture 7)

5. Remove the screw on the vertical bar (5) that is connecting the base (3) to the vertical bar (17).

6. Gradually lower the base (3) until it is resting on the floor.

7. Connect the handlebar cable (22) to the vertical bar cable (23). See Picture 7.

8. Place the handlebars (6) on top of the

vertical bars (17) and attach them with two screws (24) and nuts (25). Tighten them with the small Allen key (15) and spanner (27). Ensure that they are firmly attached.

9. Attach the handlebars with the two handlebar screws (26).

INSTALLING THE CONTROL PANEL
(See Picture 8)

10. Lift up the control panel (1) so it is in the right position and then fasten it with the panel screw (8).

IMPORTANT:

11. Before using the treadmill, always make sure that the base (3) is firmly attached to the vertical bar (17). To do so, tighten the lock pin (7). (See Picture 3)


Instructions for Use:


1. Connect the plug to the power supply.
2. Press the ON/OFF button (9) located on the bottom front of the device.

3. The emergency key (2) has a clip to attach it to clothing. Attach it to the clothing you are wearing.

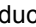
4. Attach one end of the emergency key (2) to the control panel (1). It is a magnetic attachment. Adjust the length of the cable from the clip to the control panel so that it disconnects as soon as you move too far away from the control panel. Whenever you use the treadmill, attach the emergency key to the clothing you are wearing.

When the emergency key (2) is attached to the control panel (1), the screen will display 0.0.

5. Press the  button (11) to start the treadmill belt. The device will not start working for three seconds, as displayed on the screen. The device will beep so you can get ready to use it. After three seconds, the belt will start moving, the device will go into manual mode and the speed will be displayed on the screen. The initial speed is 1 km/h.

6. Press the  button (13) to increase the speed by intervals of 0.1 km/h each time you press the button. The maximum

speed is 6 km/h.

7. Press the  button (12) to reduce the speed.

8. Press the MODE button (10) to view the other function options on the screen. Each time you press the button, a different function will be displayed: the SPEED, the TIME, the distance (DIST), the kilocalories burned (CAL) and heartbeat (PULSE). When the indicator displays the SCAN function, the information (speed, time, distance and calories) will be displayed on the screen every five seconds without the need to press any buttons.

9. To find out your heart rate, select the PULSE option on the control panel and place your hands on each of the pulse sensors (28) and press down until the heartbeat is displayed on the screen.

10. Each function indicator (14) will light up when the function is selected.

Note: Each time you use a programme, your data on distance, time and calories are saved. To set the panel to zero, press the MODE button (10) for two seconds once the belt has stopped.

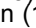
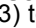
11. The treadmill has a manual mode (P0) and three automatic programmes:

P0 - Manual mode

P1 - Intervals

P2 - Resistance

P3 - Cardio Booster

To change programmes, first set the panel to zero. To set the panel to zero, press and hold down the MODE button (10) until you hear a beep. When you hear the beep, release the MODE button (10) and then press it until you reach the heartbeat function (PULSE). Then press the MODE button (10) again. The screen will flash on the programme you are working on (P0, P1, P2 or P3). Use the  button (12) and the  button (13) to choose the desired programme.

Even if you use the automatic programmes, the speed can be adjusted by increasing or reducing it to fit your needs. When the speed is automatically

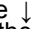
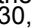
changed on a programme, it is increased or reduced proportionately.

In programme P1, the speed is set and changes automatically, but the user can manually increase or reduce the speed in increments of 1 km/h.


The speed set in programme P2 can be reduced in increments of 1 km/h, but cannot be increased.

The speed set in programme P3 can be reduced in increments of 1 km/h, but cannot be increased.

Each time the programme speed is changed, you will hear three warning beeps so you are ready.

12. When you have chosen the programme you want to use, you can select the workout time before you begin. Go to the TIME function, which will be set at the default time of 30 minutes. The time can be reduced by pressing the  button (12) or increased by pressing the  button (13). The times available are 30, 20 and 10 minutes.

13. When the treadmill is operating and the

 (11) is pressed, the treadmill will slow down and eventually stop. To restart the treadmill, press the button again and all the functions will be the same as in the previous workout.

14. Press the MODE button (10) for three seconds to erase all the previous functions and start a new workout.

15. If you want to stop the treadmill quickly, pull on the emergency key.

Unfolding the device (see Picture 3)

1. Remove the two handlebar screws (26).

2. Lower the handlebars (6) to the horizontal position.

3. Hold onto the base (3) with one hand and use the other to remove the screw on the vertical bar (5) and unlock the base.

4. Place the treadmill in the upright position on a flat surface.

5. Remove the protective plastic parts inserted into the metal base (18) before

attaching the base extension (19).

6. Slowly lower the base (3) until it is on the floor.

7. Firmly tighten the lock screw (7).

Device folding system (see Picture 4)

1. Loosen the lock screw (7).

2. Raise the base to the vertical position and hold it in place.

3. Attach the base (3) to the vertical bars (17) using the screw on the vertical bar (5).

4. Remove the two handlebar screws (26).

5. Raise the handlebars (6) to the vertical position. Replace the two handlebar screws (26) so they are not lost.

6. When the device is folded, it can be transported using the wheels (16).

Product Cleaning and Maintenance

• Before performing daily cleaning, make sure the device is off by pressing the ON/OFF button and pulling the plug from the power supply.

• Do not use abrasive products or solvents to clean the device.

• Remove any dirt from the device with a damp cloth.

• Use a dry cloth to clean the plug and control panel. Do not use a damp cloth.

• Do not use the device in very damp or dusty places that could cause the device to fail. Set up the device on a flat surface to prevent it from falling and breaking down.

• Do not use the device for more than an hour. Rest for an hour after each one-hour workout. The components should be kept clean. Both sides of the belt should be cleaned to reduce dirt build-up. Before using the device, make sure the treadmill surface is clean. Use soap and a damp cloth to clean the belt. Do not use solvents. Wipe off the sweat on the handlebars after each use.

• Anti-static lubricant was applied to the belt at the factory.

• Lubricant can be applied to the device after 100 hours of use. Apply a special

treadmill lubricant underneath the treadmill belt by lifting the belt away from the base slightly and applying the lubricant.

Centering the running belt:

IMPORTANT: After continuous use, the belt may shift to one side due to the constant pressure of the feet. It should be centred again by adjusting the belt screws (29) with the small Allen key provided (15). See Picture 5:

Check that the belt is centered. IF it is not, adjust the belt so that it runs freely (see below).

Check that the running belt is correctly centered between the end caps every time before using the treadmill. Adjust the belt if needed, normally only a small adjustment is required. Screw half a turn clockwise on the side that the belt is too near to, then test for at least 15 seconds at 4km/h (check and adjust a further quarter or half turn until the belt is centered)

NOTE: Please check the distance between the running belt and edge, if it show as the picture 9 please centered the belt in the correct way.

Tightening the belt:

1. If the treadmill belt (4) slides during use, it should be tightened. Switch OFF the treadmill and unplug it from the power source. Use the small Allen key (15) to give the left screws and then the right screws 1/4 of a turn in the anti-clockwise direction. Switch ON the main switch and start the treadmill running at 6 km/h. Walk on the treadmill. If it still slides, repeat the process until the belt no longer slides.

- If you do not plan to use the device for an extended period of time, please store it in a clean, dry place and prevent it from coming into contact with dust.

- Do not touch the ON/OFF button or the power cable with wet hands.

- Do not tug on the cable when unplugging the device. To prevent the cable from being damaged, do not place

heavy objects on top of it and do not wrap it around the device. Do not use the device if the cable or the plug do not make a good connection.

NOTE: the running surface belt should not be tightened too hard as this can cause noise and damage the machine

Technical Specifications:

Voltage: 220-240V

Frequency: 50/60 Hz

Power: 500 W

Comply with Normatives:

BS EN ISO 20957-1: 2013

BS EN 957-6:2010+A1:2014

Unfolded Measurements

1358 mm x 610 mm x 1175 mm (L x W x H)

Folded Measurements

535 mm x 610 mm x 1435 mm (L x W x H)

Packaging Measurements

1360mm x 280mm x 650mm (L x W x H)

Gross Weight 27.5 kg


Net Weight 24.5 kg

Class HC product for household use

Gymform Slim Fold Treadmill
(VDPGYCIND0124)

Disposal of materials



A symbol of a crossed-out wheeled bin means you should find out about  and follow local regulations about disposing of this kind of product.

Do not dispose of this product as you would other household waste. Dispose of this device in accordance with the corresponding local regulations. Electrical and electronic devices contain hazardous substances that can have harmful effects on the environment and/or human health and should be recycled properly.

Quality Warranty:

This product is covered by a warranty against manufacturing defects subject to the time periods stipulated by the legislation in force in each country.

This warranty does not cover damages resulting from inadequate use, negligent commercial use, abnormal wear and tear, accidents or improper handling.

Australia & New Zealand only

This product has the benefit of certain Consumer Guarantees. These are prescribed by the Australian Consumer Law & the New Zealand Consumer Guarantees Act 1993 both of which provide protection for consumers. There is no express warranty for this product in Australia or New Zealand. The above paragraph refers to other countries.

Made in China

Advertencias

Importante: Guarde estas instrucciones para que le sirvan como referencia en el futuro.

Lea todas las instrucciones en la documentación suministrada con el equipo de ejercicios, incluidas todas las guías de montaje, guías de usuario y manuales del fabricante, antes de instalar este dispositivo.

- Tome siempre las precauciones de seguridad básicas cuando utilice este equipo para reducir el riesgo de lesiones, incendio o daños.

- Este aparato puede ser utilizado por niños de 8 años o más y personas con capacidades físicas, sensoriales o mentales limitadas o con falta de experiencia y conocimientos al respecto si han sido supervisados o instruidos acerca del uso del aparato de forma segura y comprenden los peligros asociados. Los niños no deben jugar con el aparato. Los niños no deben realizar la limpieza ni el mantenimiento del aparato sin supervisión.

- No deje nunca el equipo desatendido cuando esté enchufado. Desenchúfelo de la fuente de alimentación cuando no

se utilice.

- Recomendamos que todos los usuarios acudan a un médico para que lleve a cabo un examen físico completo antes de iniciar cualquier programa de fitness, especialmente en caso de tensión arterial elevada, niveles altos de colesterol, enfermedades cardíacas, historial familiar con alguna de las enfermedades antes mencionadas, edad

- superior a los 45 años, ser fumadores, obesidad, falta de entrenamiento periódico en el último año, o consumo de alguna medicación.

- Compruebe si los componentes del producto están en buen estado antes de que usted lo use por primera vez. En el caso de estar dañados, la máquina no podrá ser usada. Por favor, devuélvala a su tienda.

- El dispositivo es sólo para el uso personal y de interior, la máquina no está preparada para uso comercial.

- El distribuidor no es responsable de ningún daño y perjuicio causados por el mal uso de la máquina.

- Nunca tire del cable.

- No salte sobre el dispositivo, puede dañar la máquina.

- Para evitar riesgos, si el cable de alimentación está dañado debe ser sustituido por el fabricante, el servicio técnico autorizado o personal cualificado.

- ¡ADVERTENCIA! El sistema de control del pulso cardíaco podría ser inexacto. Hacer ejercicio por encima de sus posibilidades podría provocarle lesiones graves e incluso la muerte. En caso de mareo, deje de utilizar la máquina inmediatamente.

- La máquina hace más ruido con carga que sin ella.

- No ponga en marcha la cinta de andar si está plegada.

- Es necesario que la cinta se haya detenido por completo antes de plegar la máquina.

- Nunca trate de reparar los daños usted mismo, debe consultar la información y reclamaciones con un experto.

- Después de cada empleo, la máquina debe ser apagada y limpiada. Apague la máquina y desconéctela de la fuente de energía antes de comenzar la limpieza.

- Si usted usa la máquina sobre una alfombra, por favor asegúrese

que los agujeros de ventilación no están cubiertos.

- Antes de comenzar a usar la máquina, tiene que hacer algunos ejercicios de calentamiento. Comience los ejercicios despacio y poco a poco aumente la intensidad gradualmente.

- La máquina sólo podrá ser usada por una persona en cada sesión, es decir nunca más de una al mismo tiempo.

- Las mujeres embarazadas no DEBEN usar esta máquina.

- Deje de usar la máquina inmediatamente si usted se siente incómodo o mareado. Consulte a su doctor inmediatamente si se siente mal, tiene dolor de pecho, o cualquier otro síntoma.

- Si usted no ha hecho deporte durante mucho tiempo o si tiene un problema de corazón, perturbaciones circulatorias o el problema ortopédico, usted antes de empezar a usar el

- dispositivo, debería consultar a su doctor.

- Este producto no está hecho para ser utilizado por niños o personas con capacidades mentales o físicas reducidas sin la supervisión o instrucción por parte de la persona encargada de su seguridad.

- Los niños deberán ser supervisados en todo momento para asegurar que no jueguen con

la máquina.

- No utilice el dispositivo si su peso excede 110 kg.

- El dispositivo ha sido diseñado para un uso individual, cualquier avería generada por un uso inadecuado estará exento de garantía.

- Asegúrese que el dispositivo está en una superficie plana. No utilice ropa muy larga para su uso y evitará roces en la cinta que dificultaran su uso. Utilice calzado deportivo para su uso. Cuando ponga en funcionamiento la cinta de andar procure no estar encima de la cinta, es preferible estar de pie a ambos lados de la cinta. Si la velocidad inicia de la cinta es muy alta no salte sobre ella, empiece su uso progresivamente.

- No pare bruscamente de andar, presione el botón de encendido y la cinta se detendrá progresivamente.

- Deje de andar cuando la cinta se haya detenido.


- Área de seguridad de 2.000 mm x 1.000 mm detrás del equipo

1m = 3,28 feet



PRECAUCIÓN: NO retire la cubierta; podría correr el riesgo de una descarga eléctrica. El interior no contiene piezas reparables por el usuario.

Descripción producto

- 1- Panel de control
- 2- Llave de emergencia
- 3- Base
- 4- Cinta de andar
- 5- Tuerca del tubo vertical
- 6- Manillar
- 7- Tuerca de bloqueo
- 8- Tuerca del panel de control
- 9- Interruptor de encendido
- 10- Botón MODE
- 11-  Botón

- 12- Botón ↓
- 13- Botón ↑
- 14- Indicadores de función
- 15- Llave Allen pequeña
- 16- Ruedas
- 17- Tubos verticales
- 18- Base metálica
- 19- Extensión base
- 20- Arandelas x 6
- 21- Tornillos x 6
- 22- Cable manillar
- 23- Cable tubo vertical
- 24- Tornillos x 2
- 25- Tuercas x 2
- 26- Tuercas manillar
- 27- Llave
- 28- Sensores de pulso.
- 29- Tornillos cinta

Instrucciones de montaje:

1. Abra la caja, desembale todas las partes y extraiga la cinta de andar.

COLOCACIÓN EXTENSIÓN BASE METÁLICA (Ver Fig.6)

2. Coloque la cinta en posición vertical en una superficie plana.

3. Asegúrese de que la tuerca del tubo vertical (5) está colocada y fijando la base (3) con los tubos verticales (17).

4. Fije con la llave allen grande (15) la extensión base (19) a la base metálica (18) mediante las 6 arandelas (20) y los 6 tornillos (21).

COLOCACIÓN MANILLAR (Ver Fig. 7)

5. Quite la tuerca del tubo vertical (5) que está sujetando la base (3) con los tubos verticales (17).

6. Baje la base (3) poco a poco y déjela apoyada en el suelo.

7. Conecte el cable manillar (22) con el cable tubo vertical (23). Ver fig. 7

8. Coloque el manillar (6) encima de los tubos verticales (17) y fíjelos mediante los 2 tornillos (24) y las tuercas (25), apriételes conjuntamente con la llave allen pequeña (15) y la llave (27). Asegúrese de una buena fijación.

9. Fije el manillar con las 2 tuercas manillar (26).

COLOCACIÓN CONSOLA (Ver. Fig. 8)

10. Levante el panel de control (1) para

colocarlo en la posición correcta y fíjelo mediante la tuerca del panel (8)

IMPORTANTE:

11. Siempre antes de usar la cinta, asegúrese de fijar bien la base (3) con los tubos verticales (17) Para hacerlo enrosque la tuerca de bloqueo (7). (Ver fig.3)

Modo de Uso:


1. Conecte el enchufe a la red eléctrica.

2. Presione el interruptor de encendido (9) situado en la parte inferior trasera de la máquina.

3. La llave de emergencia (2), tiene una pinza para fijarlo a la ropa. Fíjeselo a la ropa que lleve puesta.

4. Coloque el otro extremo de la llave de emergencia (2) en el panel de control (1). Va fijado mediante imán. Deje la longitud idónea del cable entre la pinza y el panel de control de manera que si usted se desplaza un poco hacia atrás se desconecte inmediatamente. Siempre que utilice la cinta fije la llave de Emergencia a la ropa que lleva puesta.

Una vez fijada la llave de emergencia (2) al panel de control (1) la pantalla mostrará 0.0.

5. Presione el botón  (11) para poner la cinta en marcha, la máquina no empezará a funcionar hasta pasados 3 segundos que se muestran en la pantalla y le avisará con señales acústicas para así poderse preparar para su uso, después de estos 3 segundos la cinta empieza a moverse y la máquina entra en modo manual y mostrará la velocidad en la pantalla. El valor inicial de velocidad es 1km/h.

6. Presionando el botón ↑ (13) se sube la velocidad de 0.1 en 01 hasta alcanzar los 6 km/h.

7. Presionando el botón ↓ (12) se baja la velocidad.

8. Presionando el botón MODE (10) podrá ver las otras opciones de función en pantalla. Cada vez que presione el botón cambiará para ver la velocidad (SPEED), el tiempo (TIME), la distancia (DIST), las calorías quemadas (CAL) y el pulso

(PULSE). Si el indicador muestra la función SCAN, la pantalla mostrará la información (velocidad, tiempo, distancia y calorías) cada 5 segundos sin tener que presionar ningún botón.

9. Para saber su pulso cardíaco escoja la opción PULSE en la consola y coloque y presione las manos encima de cada uno de los sensores de pulso (28) hasta que le salga su pulso en pantalla.

10. Cada indicador de función (14) se iluminará con la función escogida.

Nota: Cada vez que utilice un programa, se almacenarán los datos de distancia recorrida, tiempo y calorías. Para poner los marcadores a cero, cuando la cinta esté parada presione el botón Mode (10) durante 2 segundos.

11. La cinta tiene un modo manual (P0) y 3 programas automáticos:

P0- Modo manual

P1- Intervalos

P2- Resistencia

P3- Maximizador Cardiovascular

Para poder cambiar de un Programa a otro primero hay que poner los marcadores a cero. Para poner los marcadores a cero mantén apretado Una vez puestos a cero Presionando el botón MODE (10) hasta que oiga una señal acústica. después Una vez ha oído la señal acústica presione una vez el botón MODE (19) hasta encontrar de la función del pulso (PULSE), vuelva a apretar el botón MODE (10) la pantalla le indicará parpadeando en el programa que se encuentra (P0, P1, P2 o P3). Con el botón ↓ (12) y el botón ↑ (13) escoja el programa deseado.

Incluso utilizando los programas automáticos puede ajustar la velocidad a su gusto disminuyendo o aumentándola. Cuando el programa varíe la velocidad automáticamente, se aumentará y reducirá en proporción.

En el programa P1, aunque la velocidad varíe y se asigne automáticamente el usuario se puede subir o bajar la velocidad 1.0km/h


En el programa 2 se puede reducir la velocidad preestablecida en cada momento en un hasta 1.0 km/h pero no se puede aumentar

En el programa P3, se puede bajar la velocidad preestablecida en cada momento puede bajar la velocidad hasta en 1 km/h pero no se puede aumentar.

Cada vez que el programa cambie la velocidad le avisará con 3 señales acústicas para que esté preparado.

12. Una vez haya escogido el programa a utilizar y antes de empezar puede escoger el tiempo de entrenamiento. Vaya a la función tiempo (TIME), por defecto siempre serán 30 minutos, puede bajarlo presionando el botón ↓ (12) y volverlo a subir con el botón ↑ (13). Se puede escoger 30, 20 y 10 minutos.

13. Cuando la cinta está funcionando al presionar

el botón  (11) la cinta reducirá la velocidad hasta pararse. Para volver a ponerla en marcha presiónelo de nuevo, todas las funciones seguirán con la información del ejercicio anterior.

14. Presionando durante 3 segundos el botón MODE (10) se pondrán todas las funciones a cero para un nuevo entrenamiento.

15. Si quiere parar la cinta de manera rápida, estire la llave de emergencia.

Sistema para desplegar la máquina (Ver fig.3)

1- Quite las 2 tuercas del manillar (26).
2- Baje el manillar (6) para que quede en posición horizontal.

3- Sujete con la mano la base (3) y quite la tuerca de los tubos verticales (17) para desbloquear la base.

4. Coloque la cinta en posición vertical en una superficie plana.

5. Retirar las piezas de plástico de protección insertadas en la base metálica (18) antes de fijar la extensión base (19).

6- Baje la base (3) lentamente hasta dejarla en el suelo.

7- Enrosque la tuerca de bloqueo (7) hasta que quede bien fijada.

Sistema para plegar la máquina (Ver fig.4)

1- Desenrosque la tuerca de bloqueo (7).
2- Suba la base en posición vertical y sujétela.

3- Fije la base (3) y los tubos verticales (17) mediante la tuerca del tubo vertical (5).

4- Quite las 2 tuercas del manillar (26).

5- Suba el manillar (6) para que quede en posición vertical. Vuelva a colocar las 2 tuercas del manillar (26) para que no se pierdan.

6- Una vez plegada la máquina se puede transportar gracias a sus ruedas (16)

Mantenimiento y limpieza del producto

- Asegúrese de haber apagado el interruptor de encendido y desconectado el enchufe antes del mantenimiento diario.

- No utilice productos abrasivos o disolventes en el mantenimiento del dispositivo.

- Si hay suciedad en el dispositivo límpielo con un paño húmedo.

- Use un paño seco para limpiar el enchufe y el panel de control, no utilice paños húmedos.

- No utilice el dispositivo en lugares muy húmedos o polvorientos que puedan ocasionar fallos. Instale la máquina en superficies llanas para evitar cualquier caída del dispositivo que ocasione averías.

- No utilice el dispositivo durante más de 1 hora, haga un descanso entre hora y hora de uso. Los componentes se deben mantener limpios, ambos lados de la cinta deben limpiarse y reducir el acumulamiento de suciedad. Asegúrese que el calzado este limpio antes de su uso. Utilice jabón y un paño húmedo para limpiar la cinta, no utilice disolvente. Limpie el sudor de los brazos y la cinta después de su uso.

- La cinta ha sido lubricada en la fábrica con un lubricante antiestático.

- Puede lubricar el dispositivo después de 100 horas de uso. Aplique un lubricador especial para cintas por la parte de debajo de la cinta andadora, levante suavemente la cinta de la base y aplique el lubricante.

Centrado de la cinta:

IMPORTANTE: Debido a un uso continuo y a la presión ejercida inconscientemente con las piernas, la cinta se puede desviar hacia un lado. Se tiene que volver a centrar ajustando los tornillos de la cinta (29) con llave allen pequeña suministrada (15), Ver fig. 5:

Compruebe que la cinta esté centrada. En caso contrario, realice los ajustes necesarios para que lo esté (ver a continuación).

Cada vez que vaya a utilizar el aparato, asegúrese de que la cinta esté bien centrada entre los tornillos de la base. Céntrela si es necesario. En general, solo se requieren pequeños ajustes. Gire el tornillo del lado hacia el que se ha desviado la cinta (media vuelta en el sentido de las agujas del reloj) y luego deje la cinta en funcionamiento durante al menos 15 segundos a 4 km/h. Compruebe si se ha solucionado el desvío y, en caso necesario, realice un giro de 1/4 de vuelta o media vuelta más hasta que la cinta quede centrada.

NOTA: Compruebe la distancia entre la cinta y el borde del aparato. En caso de que la cinta esté como en la figura 9, céntrela.

Para tensar la cinta:

3. Si la cinta de andar (4) se resbala durante el uso, hay que tensar la cinta. Apague y desenchufe la cinta. Mediante la Llave Allen pequeña (15), gire los tornillos izquierdo y después el derecho 1/4 de vuelta en el sentido de las agujas del reloj. Vuelva a encender el interruptor principal y haga funcionar la cinta a una velocidad de 6km/h. Use la cinta andando sobre ella, si aún resbala repita el procedimiento hasta que la cinta ya no resbale.

- Si el dispositivo no se va a usar durante un periodo prolongado, por favor guárdelo en

un lugar seco y limpio, evite que tenga contacto con el polvo.

- No toque el botón de encendido o el cable de alimentación con las manos húmedas.

- Cuando desconecte la máquina, hágalo

sin tirar del cable. No coloque peso sobre el cable, no lo enrolle en el dispositivo para evitar su ruptura, no use el dispositivo si el cable o el enchufe hacen una buena conexión.

NOTA: La cinta no debe estar demasiado tensa, ya que al estar en marcha el aparato podría dañarlo y hacer ruido.

Especificaciones técnicas:

Voltaje: 220-240V

Frecuencia: 50/60Hz

Potencia: 500W

Cumple con Normativas:

BS EN ISO 20957-1: 2013

BS EN 957-6:2010+A1:2014

Medidas desplegada

1358mm X 610mm X 1175mm (L x W x H)

Medidas plegada

535 mm x 610 mm x 1435 mm (L x W x H)

Medidas embalaje

1360mm x 280mm x 650mm (L x Wx H)

Peso Bruto 27,5kg

Peso Neto 24,5kg

Producto de clase HC, para uso doméstico

Gymform Slim Fold Treadmill
(VDPGYCIND0124)



COMO DESHACERSE DE MATERIALES

El símbolo de un contenedor sobre ruedas tachado, indica que Vd.

debe informarse y seguir las normativas locales de desecho de este tipo de productos

No se deshaga de este producto de la misma forma que lo haría con los residuos generales de su hogar. Debe hacerlo según las normativas locales correspondientes.

Los productos eléctricos y electrónicos contienen sustancias peligrosas que tienen efectos

nefastos sobre el medioambiente o la salud humana y deben ser reciclados adecuadamente.

garantía contra defectos de fabricación sujeta a los plazos de tiempo estipulados por la legislación vigente en cada país.

Esta garantía no cubre los daños resultantes de un uso inadecuado, uso comercial negligente, desgaste anormal, accidentes o manipulación indebida.

Fabricado en China

Garantía de calidad:

Este producto queda cubierto por una

Avertissements

Important : conservez ces instructions pour pouvoir les consulter ultérieurement.

Avant d'installer cet appareil de fitness, lisez toutes les instructions figurant dans la documentation fournie, notamment dans toutes les notices de montage et d'utilisation, ainsi que dans celles du fabricant.

- Pour éviter tout risque de lésion, d'incendie ou de dommage, adoptez les mesures de sécurité de base lorsque vous utilisez cet appareil.

Cet appareil peut être utilisé par des enfants âgés d'au moins 8 ans et par des personnes ayant des capacités physiques, sensorielles ou mentales réduites ou dénuées d'expérience ou de connaissance, s'ils (si elles) sont correctement surveillé(e)s ou si des instructions relatives à l'utilisation de l'appareil en toute sécurité leur ont été données et si les risques encourus ont été appréhendés. Les enfants ne doivent pas jouer avec l'appareil. Le nettoyage et l'entretien par l'utilisateur ne doivent pas être effectués par des enfants sans surveillance.

- Ne laissez jamais l'appareil sans surveillance lorsqu'il est branché. Débranchez-le de la source d'alimentation lorsqu'il n'est pas utilisé.

- Nous recommandons à tous les utilisateurs de se rendre chez un médecin pour qu'il procède à un examen physique complet avant de débiter tout programme de fitness, en particulier s'ils présentent une tension artérielle ou un taux de cholestérol élevés, s'ils souffrent d'une maladie cardiaque ou ont des antécédents familiaux de l'une des maladies mentionnées, précédemment, s'ils sont âgés de plus de 45 ans, s'ils fument, en cas d'obésité, de manque d'entraînement régulier durant l'année précédente ou s'ils prennent des médicaments.

- Avant d'utiliser l'appareil pour la première fois, vérifiez que tous ses composants sont en bon état. Dans le cas contraire, n'utilisez pas l'appareil. Retournez-le au magasin.

- Cet appareil est uniquement destiné à un usage personnel, en intérieur. Il n'est pas conçu pour un usage commercial.

- Le distributeur décline toute responsabilité pour tout dommage ou préjudice éventuel causé par

une utilisation indue de l'appareil.

- Ne tirez jamais sur le câble.

- Ne sautez pas sur l'appareil ; vous risqueriez de l'endommager.

- Si le câble d'alimentation est endommagé, il doit être remplacé par le fabricant, son service après vente ou des personnes de qualification similaire afin d'éviter un danger.

- **MISE EN GARDE !** Le système de contrôle du rythme cardiaque peut être inexact. N'allez pas au-delà de vos capacités physiques ; cela pourrait avoir des conséquences graves, voire mortelles. En cas de vertige, cessez immédiatement d'utiliser l'appareil.

- L'appareil est plus bruyant lorsque quelqu'un l'utilise que lorsqu'il est hors charge.

- Ne mettez pas le tapis de marche en route lorsqu'il est plié.

- Attendez que le tapis soit à l'arrêt pour plier l'appareil.

- Ne tentez jamais de réparer vous-même les dommages. Adressez-vous à un expert.

- Éteignez et nettoyez l'appareil après chaque utilisation. Éteignez l'appareil et débranchez-le de la source d'alimentation avant de le nettoyer.

- Si vous posez l'appareil sur un tapis, assurez-vous que les

orifices de ventilation ne sont pas obstrués.

- Faites quelques exercices d'échauffement avant de commencer à utiliser l'appareil. Commencez les exercices doucement et augmentez progressivement l'intensité.

- L'appareil ne doit être utilisé que par une seule personne lors de chaque séance ; il ne doit pas être utilisé par plus d'une personne à la fois.

- Les femmes enceintes NE DOIVENT PAS utiliser cet appareil.

- Cessez immédiatement d'utiliser l'appareil si vous êtes mal à l'aise ou avez la tête qui tourne. Consultez immédiatement votre médecin si vous vous sentez mal, si vous ressentez une douleur à la poitrine ou tout autre symptôme.

- Si cela fait longtemps que vous n'avez pas fait de sport ou si vous souffrez de problèmes cardiaques, circulatoires ou orthopédiques, consultez un médecin avant de commencer à utiliser l'appareil.

- Cet appareil n'est pas conçu pour être utilisé par des enfants ou toute autre personne dont les capacités mentales ou physiques sont limitées en l'absence de surveillance ou d'instructions de la part de la personne chargée de leur sécurité.

- Les enfants doivent toujours être surveillés pour s'assurer qu'ils ne jouent pas avec l'appareil.

- N'utilisez pas l'appareil si vous pesez plus de 110 kg.

- Cet appareil est conçu pour un usage individuel. Toute panne due à une utilisation inadéquate ne pourra faire l'objet d'un recours en garantie.

- Assurez-vous que l'appareil se trouve sur une surface plane. Ne portez pas de vêtements longs lorsque vous l'utilisez ; ils risqueraient de frotter sur le tapis et entraveraient son utilisation. Portez des chaussures de sport. Evitez de vous tenir sur le tapis lorsque vous le mettez en marche. Placez-vous plutôt debout de part et d'autre de celui-ci. Si la vitesse initiale du tapis est élevée, réduisez-la avant de monter dessus, puis augmentez-la progressivement.

- N'arrêtez pas brutalement de marcher. Appuyez sur le bouton Marche/Arrêt : le tapis s'arrêtera progressivement.

- Cessez de marcher lorsque le tapis est à l'arrêt.

- Veillez à ce qu'il n'y ait aucun objet à l'arrière de l'appareil, dans une zone de 2 000 mm x 1 000 mm.



ATTENTION : NE RETIREZ PAS le capot, risque de décharge électrique. L'intérieur ne contient pas de pièces pouvant être réparées par l'utilisateur.

Description du produit

- 1- Panneau de commande
- 2- Clé de sécurité
- 3- Base
- 4- Tapis
- 5- Molette du tube vertical
- 6- Guidon
- 7- Molette de verrouillage
- 8- Molette du panneau de commande
- 9- Interrupteur Marche/Arrêt
- 10- Bouton MODE

- 11-  Bouton
- 12- Bouton ↓
- 13- Bouton ↑
- 14- Voyants de fonctions

- 15- Petite clé Allen
- 16- Roues
- 17- Tubes verticaux
- 18- Base métallique
- 19- Rallonge de la base
- 20- Rondelles (x6)
- 21- Vis (x6)
- 22- Câble du guidon
- 23- Câble du tube vertical
- 24- Vis (x2)
- 25- Ecrous (x2)
- 26- Ecrous du guidon
- 27- Clé plate
- 28- Capteurs de pouls
- 29- Vis du tapis

Assemblage :

1. Ouvrez le carton, déballez toutes les pièces et extrayez le tapis de marche.
- MISE EN PLACE DE LA RALLONGE DE LA BASE METALLIQUE (voir fig. 6)
2. Posez le tapis à la verticale sur une surface plane.
3. Assurez-vous que la molette du tube vertical (5) est en place et unit celui-ci (17) à la base (3).
4. Assemblez la rallonge de la base (19) et la base métallique (18) à l'aide des 6 rondelles (20) et des 6 vis (21). Utilisez pour cela la grande clé Allen (16).
- MISE EN PLACE DU GUIDON (voir fig. 7).
5. Retirez la molette du tube vertical (5), qui unit la base (3) à celui-ci.
6. Rabattez progressivement la base (3) jusqu'à ce qu'elle repose sur le sol.
7. Raccordez le câble du guidon (22) au câble du tube vertical (23) (voir fig. 7).
8. Posez le guidon (6) sur les tubes verticaux (17) et fixez-le à l'aide des 2 vis (24) et des écrous (25). Utilisez pour cela la petite clé Allen (15) et la clé plate (27).
- Assurez-vous que l'ensemble est bien fixé.
9. Fixez le guidon à l'aide des 2 écrous du guidon (26).
- MISE EN PLACE DU PANNEAU DE COMMANDE (voir fig. 8).
10. Redressez le panneau de commande (1) pour le placer dans la position qui convient et immobilisez-le à l'aide de la molette correspondante (8).

IMPORTANT :

11. Avant d'utiliser le tapis, assurez-vous

toujours que la base (3) est bien fixée aux tubes verticaux (17). Pour cela, utilisez la molette de verrouillage (7) (voir fig. 3).

Mode d'emploi :

1. Branchez la fiche sur le secteur.
2. Appuyez sur l'interrupteur Marche/Arrêt (9) situé à l'avant de l'appareil, dans le bas.
3. La clé de sécurité (2) est pourvue d'une pince permettant de l'attacher sur les vêtements. Attachez-la sur les vêtements que vous portez.
4. Fixez l'autre extrémité de la clé de sécurité (2) sur le panneau de commande (1) à l'aide de l'aimant. Réglez la longueur du cordon reliant la pince au panneau de commande de façon à ce que la clé se détache immédiatement de celui-ci dès que vous reculez. Attachez toujours la clé de sécurité à vos vêtements lorsque vous utilisez le tapis.
- Dès que vous fixez la clé de sécurité (2) sur le panneau de commande (1), l'indication 0.0. s'affiche à l'écran.



5. Appuyez sur le bouton (11) pour mettre le tapis en marche. Il ne commence à fonctionner qu'une fois écoulé un délai de 3 secondes, dont le décompte s'affiche à l'écran, et émet des signaux acoustiques pour que vous puissiez vous préparer à l'utiliser. Ces 3 secondes étant écoulées, le tapis commence à bouger. L'appareil passe en mode manuel et la vitesse s'affiche à l'écran.

La vitesse initiale est de 1 km/h.

6. Le bouton ↑ (13) permet d'augmenter la vitesse par paliers de 0,1 km/h jusqu'à un maximum de 6 km/h.
7. Le bouton ↓ (12) permet de réduire la vitesse.
8. Le bouton MODE (10) permet d'accéder à d'autres fonctions à l'écran. Une fonction différente s'affiche chaque fois que vous appuyez sur ce bouton : la vitesse (SPEED), la durée (TIME), la distance (DIST), les calories brûlées (CAL) et les battements du cœur (PULSE). Lorsque le voyant allumé est celui de la fonction SCAN, les différentes informations (vitesse, durée, distance et kilocalories) s'affichent alternativement à l'écran toutes les 5 secondes sans que vous ayez à

appuyer sur le bouton.

9. Pour déterminer votre rythme cardiaque, sélectionnez l'option PULSE sur le panneau de commande, posez une main sur chacun des deux capteurs de pouls (28) et appuyez jusqu'à ce que votre rythme cardiaque s'affiche à l'écran.
10. Le voyant (14) qui s'allume correspond à la fonction sélectionnée.

Remarque : les données concernant la distance parcourue, la durée et les calories brûlées sont enregistrées chaque fois que vous utilisez un programme. Pour remettre les compteurs à zéro, appuyez pendant 2 secondes sur le bouton MODE (10) une fois que le tapis est arrêté.

11. Le tapis possède un mode manuel (P0) et 3 programmes automatiques :

P0 - Mode manuel

P1 - Fractionné

P2 - Résistance

P3 - Optimisation cardiovasculaire

Pour pouvoir changer de programme, vous devez tout d'abord remettre les compteurs à zéro. Pour cela, appuyez sur le bouton MODE (10) et maintenez-le enfoncé jusqu'à ce que vous entendiez un signal acoustique. Une fois que le signal acoustique a retenti, relâchez le bouton MODE (10), puis réappuyez dessus jusqu'à ce que vous trouviez la fonction PULSE. Appuyez ensuite de nouveau sur le bouton MODE (10). Le programme dans lequel vous vous trouvez (P0, P1, P2 ou P3) s'affiche. Pour sélectionner le programme voulu, appuyez sur le bouton ↓ (12) ou sur le bouton ↑ (13).

Vous pouvez augmenter ou réduire la vitesse même si vous êtes dans l'un des programmes automatiques. L'augmentation ou la réduction de vitesse que vous avez choisie se répercute dans les variations inhérentes au programme.

Dans le programme P1, bien que la vitesse soit assignée et varie automatiquement, vous pouvez l'augmenter ou la réduire de 1 km/h.


Dans le programme P2, vous pouvez à tout moment réduire la vitesse de 1 km/h, mais ne pouvez pas l'augmenter.

Dans le programme P3, vous pouvez à tout moment réduire la vitesse prédéfinie de 1 km/h, mais ne pouvez pas l'augmenter.

Chaque fois que le programme est sur le point de changer de vitesse, l'appareil vous avertit en émettant 3 bips.

12. Après avoir sélectionné le programme voulu et avant de commencer, vous pouvez sélectionner la durée de l'entraînement. Pour ce faire, sélectionnez la fonction TIME (durée). Par défaut, la durée est de 30 minutes. Vous pouvez la réduire en appuyant sur le bouton ↓ (12) et l'augmenter à nouveau en appuyant sur le bouton ↑ (13). Vous avez le choix entre trois durées : 30, 20 ou 10 minutes.

13. Lorsque le tapis est en fonctionnement,

il vous suffit d'appuyer sur le bouton  (11) pour que sa vitesse diminue jusqu'à l'arrêt total. Pour le remettre en marche, appuyez à nouveau sur ce même bouton. Toutes les fonctions conservent les valeurs de l'exercice précédent.

14. Pour remettre toutes les fonctions à zéro en vue d'un nouvel entraînement, appuyez sur le bouton MODE (10) pendant 3 secondes.

15. Pour arrêter rapidement le tapis, tirez sur la clé de sécurité.

Dépliage de l'appareil (voir fig. 3)

1- Retirez les 2 écrous du guidon (26).

2- Abaissez le guidon (6) jusqu'à ce qu'il soit à l'horizontale.

3- Maintenez la base (3) d'une main et de l'autre, tirez sur la molette du tube vertical (5) pour déverrouiller la base.

4- Posez le tapis à la verticale sur une surface plane.

5. Retirez les protections en plastique insérées sur la base métallique (18) avant de fixer la rallonge de la base (19).

6- Abaissez lentement la base (3) jusqu'au sol.

7- Vissez la molette de verrouillage (7) de façon à ce qu'elle soit bien fixée.

Pliage de l'appareil (voir fig. 4)

1- Dévissez la molette de verrouillage (7).

2- Rabattez la base en position verticale.

3- Fixez la base (3) et les tubes verticaux (17) à l'aide de la molette du tube vertical (5).

4- Retirez les 2 écrous du guidon (26).

5- Remontez le guidon (6) jusqu'à ce qu'il soit à la verticale. Remettez les 2 écrous du guidon (26) en place pour éviter de les perdre.

6- Une fois plié, l'appareil est facile à déplacer grâce à ses roues (16).

Nettoyage et entretien du produit

• Avant de procéder à l'entretien quotidien, assurez-vous que l'interrupteur Marche/Arrêt est sur Arrêt et que la fiche de l'alimentation est débranchée.

• N'utilisez pas de produits abrasifs ou de solvants pour entretenir l'appareil.

• Si l'appareil est sale, nettoyez-le avec un chiffon humide.

• N'utilisez pas de chiffon humide pour nettoyer la fiche et le panneau de commande. Utilisez un chiffon sec.

• N'utilisez pas l'appareil dans des lieux très humides ou poussiéreux ; cela pourrait provoquer des dysfonctionnements. Pour éviter que l'appareil bascule et soit endommagé, installez-le sur une surface plane.

• N'utilisez pas l'appareil pendant plus de 1 heure. Laissez-le à l'arrêt pendant 1 heure entre les utilisations. Veillez à ce que les composants restent propres. Nettoyez les deux côtés du tapis et évitez que les impuretés s'accumulent. Assurez-vous que vos chaussures sont propres avant de l'utiliser. Nettoyez le tapis au savon avec un chiffon humide. N'utilisez pas de solvant. Éliminez la sueur des poignées et du tapis après utilisation.

• Le tapis a été lubrifié avec un lubrifiant antistatique en usine.

• Vous pouvez le relubrifier au bout de 100 heures d'utilisation en appliquant un lubrifiant spécifique sur la face interne du tapis de marche. Pour ce faire, soulevez délicatement le tapis de la base et appliquez le lubrifiant.

Centrage du tapis :

IMPORTANT : du fait de son utilisation continue et de la pression exercée

inconsciemment par les jambes, le tapis peut se décaler d'un côté. Le cas échéant, recentrez-le à l'aide des vis du tapis (29) en utilisant la petite clé Allen (15) fournie, comme indiqué sur la fig. 5 :

Assurez-vous que le tapis est centré. Dans le cas contraire, effectuez les réglages nécessaires pour le recentrer (voir ci-dessous).

Chaque fois que vous utilisez l'appareil, assurez-vous que le tapis est bien centré entre les vis de la base. Recentrez-le si nécessaire. En règle générale, vous n'aurez que de légers réglages à effectuer. Serrez la vis du côté vers lequel le tapis s'est décalé (un demi-tour dans le sens des aiguilles d'une montre), puis faites fonctionner le tapis pendant au moins 15 secondes à 4 km/h. Vérifiez si le tapis est recentré. Dans le cas contraire, resserrez d'un quart de tour, ou d'un demi-tour supplémentaire jusqu'à ce que le tapis soit centré.

REMARQUE : vérifiez la distance entre le tapis et le bord de l'appareil. Si le tapis se présente comme sur la figure 9, centrez-le.

Pour tendre le tapis :

1. Si le tapis (4) glisse en cours d'utilisation, vous devez le retendre. Pour cela, éteignez le tapis et débranchez-le. Faites pivoter la vis de gauche, puis celle de droite, de 1/4 de tour dans le sens des aiguilles d'une montre à l'aide de la petite clé Allen (15). Rallumez l'interrupteur principal et faites fonctionner le tapis à une vitesse de 6 km/h. Montez sur le tapis et essayez-le. S'il glisse encore, répétez les opérations ci-dessus. Faites-le jusqu'à ce qu'il ne glisse plus.

- Si vous prévoyez de ne pas utiliser l'appareil pendant une période prolongée, rangez-le dans un endroit sec et propre, et évitez qu'il soit en contact avec de la poussière.

- Ne touchez pas le bouton Marche/Arrêt ou le câble d'alimentation avec les mains humides.

- Ne tirez pas sur le câble pour débrancher l'appareil du secteur. Ne placez pas de

pois sur le câble et ne l'enroulez pas autour de l'appareil ; vous risqueriez de l'endommager. N'utilisez pas l'appareil si le courant ne passe pas convenablement dans le câble ou la fiche.

REMARQUE : le tapis ne doit pas être trop tendu. Il risquerait de faire du bruit lorsque vous mettez l'appareil en marche et de l'endommager.

Spécifications techniques :

Tension : 220-240V

Fréquence : 50/60 Hz

Puissance : 500 W

Garantie :

Ce produit est couvert par une garantie contre les défauts de fabrication, dont la durée dépend de la législation en vigueur dans chaque pays.

Cette garantie ne couvre pas les dommages résultant d'une utilisation inappropriée, d'une négligence de la part du commerçant, d'une usure anormale, d'accidents ou d'une mauvaise manipulation.

Fabriqué en Chine

Ce produit est conforme à la Directives

BS EN ISO 20957-1: 2013

BS EN 957-6:2010+A1:2014

Dimensions déplié

1358 mm x 610 mm x 1 175 mm (L x l x h)

Dimensions plié

535 mm x 610 mm x 1435 mm (L x l x h)

Dimensions emballage

1360mm x 280mm x 650mm (L x l x h)

Poids brut 27,5 kg

Poids net 24,5 kg

Produit de catégorie HC, conçu pour une utilisation domestique

Gymform Slim Fold Treadmill
(VDPGYCIND0124)



MISE AU REBUT DE L'APPAREIL

Le symbole de la poubelle à roues barrée d'une croix indique que vous devez respecter les réglementations locales concernant le recyclage de ce type de produit.

Ne le jetez pas avec les ordures ménagères. Il doit être recyclé séparément, conformément aux réglementations locales.

Les appareils électriques et électroniques contiennent des substances nocives pour l'environnement et la santé. Ils doivent être recyclés dans des conditions appropriées.

Warnhinweise

Wichtig: Bewahren Sie diese Gebrauchsanweisung zur späteren Verwendung auf.

Lesen Sie vor der Montage dieses Geräts alle in der mit dem Fitnessgerät mitgelieferten Dokumentation enthaltenen Anweisungen, einschließlich aller Montageanleitungen, Benutzerleitfäden und Herstellerhinweise.

- Ergreifen Sie während der Benutzung des Geräts immer die grundlegenden Sicherheitsmaßnahmen, um die Gefahr von Verletzungen, Brand oder Sachschäden zu verringern.

Dieses Gerät kann von Kindern über 8 Jahren und Personen mit physischen, sensorischen oder geistigen Behinderungen bzw. fehlender Kenntnis und Erfahrung benutzt werden, wenn sie eine entsprechende Aufsicht und Unterweisung bezüglich der sicheren Handhabung des Gerätes erhalten haben und dessen Gefahren verstehen. Kinder dürfen nicht mit diesem Gerät spielen. Kinder dürfen unbeaufsichtigt das Gerät weder reinigen noch warten.

- Lassen Sie das angeschlossene Gerät niemals unbeaufsichtigt. Trennen Sie das Gerät bei

Nichtbenutzung vom Netzteil.

- Wir empfehlen allen Benutzern, vor dem Start eines Fitnessprogramms beim Arzt eine vollständige körperliche Untersuchung durchführen zu lassen. Dies gilt insbesondere bei Bluthochdruck, hohen Cholesterinwerten, Herzerkrankungen, einer familiären Vorgeschichte derartiger Krankheiten, einem Alter über 45 Jahre, Rauchern, Übergewicht, fehlendem regelmäßigem Training im vergangenen Jahr oder der Einnahme von Medikamenten.

- Überprüfen Sie vor der erstmaligen Benutzung, dass sich alle Komponenten des Geräts in einem guten Zustand befinden. Sind diese beschädigt, darf das Gerät nicht benutzt werden. Geben Sie dieses an Ihren Händler zurück.

- Dieses Gerät ist ausschließlich für den persönlichen Gebrauch bestimmt und nicht auf eine kommerzielle Nutzung ausgelegt.

- Der Händler haftet nicht für Schaden durch eine unsachgemäße Nutzung des Geräts.

- Nicht am Kabel ziehen.

- Nicht auf das Gerät springen, die Maschine kann dadurch beschädigt werden.

- Ist das Netzkabel beschädigt, muss es vom Hersteller, dem autorisierten

technischen Kundendienst oder qualifizierten Fachkräften ersetzt werden, um jegliche Gefahr zu vermeiden.

- **WARNHINWEIS!** Das System für die Pulskontrolle kann ungenau sein. Trainieren über Ihre Möglichkeiten hinaus kann zu schwerwiegenden Verletzungen und sogar zum Tod führen. Bei Schwindel den Gebrauch des Geräts sofort einstellen.

- Das Gerät macht im belasteten Zustand mehr Lärm als unbelastet.

- Das Laufband nicht im zusammengeklappten Zustand einschalten.

- Das Band muss vor dem Zusammenklappen des Geräts vollständig gestoppt sein.

- Versuchen Sie nicht, Schäden selbst zu beheben. Schäden sind immer von einer Fachkraft zu reparieren.

- Das Gerät muss nach jeder Nutzung abgeschaltet und gereinigt werden. Schalten Sie das Gerät ab und trennen Sie es von der Stromversorgung, bevor Sie mit der Reinigung beginnen.

- Wird die Maschine auf einem Teppich genutzt, achten Sie darauf, dass die Lüftungsöffnungen nicht verdeckt werden.

- Führen Sie vor der Benutzung des Geräts Aufwärmübungen durch. Starten Sie das Training langsam und steigern Sie die Intensität schrittweise.

- Die Maschine darf pro Sitzung nur von einer Person benutzt werden, d. h. es darf nie mehr als eine Person gleichzeitig trainieren...

- werdende Mütter DÜRFEN dieses Gerät NICHT benutzen.

- Bei Unwohlsein oder Schwindel die Benutzung des Geräts sofort beenden. Holen Sie unverzüglich ärztlichen Rat ein, wenn Sie sich unwohl fühlen bzw. Schmerzen in der Brust oder sonstige Symptome verspüren.

- Falls Sie lange keinen Sport getrieben haben oder Herzprobleme, Durchblutungsstörungen oder orthopädische Beschwerden haben, sollten Sie vor der Benutzung des Geräts ärztlichen Rat einholen.

- Dieses Gerät ist nicht auf die Benutzung durch Kinder oder Personen mit eingeschränkten geistigen oder körperlichen Fähigkeiten ohne die Aufsicht und Anleitung durch die für ihre Sicherheit zuständigen Person ausgelegt.

- Kinder sollten jederzeit beaufsichtigt werden, um sicherzustellen, dass sie nicht mit dem Gerät spielen.

- Verwenden Sie das Gerät nicht, wenn Ihr Körpergewicht über 110

kg beträgt.

- Das Gerät wurde für die Einzelnutzung konzipiert. Schäden durch eine unangemessene Nutzung sind von der Garantie ausgeschlossen.

- Stellen Sie sicher, dass das Gerät auf einer ebenen Fläche steht. Tragen Sie bei der Benutzung keine zu lange Kleidung, die am Band streifen und damit die Benutzung erschweren könnte. Tragen Sie bei der Benutzung Sportschuhe. Bei der Inbetriebnahme des Laufbands sollten Sie nicht auf dem Band stehen. Stehen Sie dabei vorzugsweise auf beiden Seiten des Bandes. Ist die anfängliche Geschwindigkeit des Bandes sehr hoch, springen Sie nicht auf. Starten Sie die Nutzung schrittweise.

- Hören Sie nicht plötzlich zu laufen auf. Betätigen Sie den Einschaltknopf, damit das Band nach und nach zum Stillstand kommt.

- Hören Sie zu laufen auf, nachdem das Band angehalten hat.

- Hinter dem Gerät muss ein Sicherheitsbereich von 2 m x 1 m freigehalten werden



VORSICHT! Die Abdeckung NICHT entfernen, es besteht Stromschlaggefahr. Im Geräteinneren gibt es keine Teile, die vom Benutzer repariert werden können.

Produktbeschreibung

- 1- Bedienungsfeld
- 2- Notfallschlüssel
- 3- Sockel
- 4- Laufband
- 5- Sicherungsstift senkrecht Rohr
- 6- Handstange
- 7- Sperrmutter
- 8- Bedienungsfeldmutter
- 9- Einschalter
- 10- MODE-Knopf

- 11-  Knopf
- 12- Knopf ↓
- 13- Knopf ↑

- 14-Funktionsanzeigen
- 15-Kleiner Inbusschlüssel
- 16-Rollen
- 17-Senkrechte Rohre
- 18-Metallsockel
- 19-Sockelerweiterung
- 20-Unterlegscheiben x 6
- 21-Schrauben x 6
- 22-Kabel Handstange
- 23-Kabel senkrecht's Rohr
- 24-Schrauben x 2
- 25-Muttern x 2
- 26-Muttern Handstange
- 27-Innensechskantschlüssel
- 28-Pulssensoren
- 29-Schrauben Band

Montageanleitung:

1. Kiste öffnen, alle Teile entpacken und das Laufband entnehmen.

ANBRINGUNG DER SOCKELERWEITERUNG (siehe Abb. 6)

2. Das Band in senkrechter Position auf eine ebene Oberfläche stellen.

3. Sicherstellen, dass die Mutter des senkrechten Rohrs (5) angebracht ist und den Sockel (3) am senkrechten Rohr (17) befestigt.

4. Mit dem großen Inbusschlüssel (16) die Sockelerweiterung (19) am Metallsockel (18) mit Hilfe der 6 Unterlegscheiben (20) und der 6 Schrauben (21) anbringen.

ANBRINGUNG DER HANDSTANGE (siehe Abb. 7)

5. Die Mutter des senkrechten Rohrs (5), die den Sockel (3) am senkrechten Rohr (17) befestigt, lösen.

6. Den Sockel (3) nach und nach absenken und auf dem Boden ablegen.

7. Das Kabel der Handstange (22) mit dem Kabel des senkrechten Rohrs (23) verbinden. Siehe Abb. 7

8. Die Handstange (6) auf den senkrechten Rohren (17) platzieren und mit den 2 Schrauben (24) und den Muttern (25) befestigen, indem sie gleichzeitig mit dem kleinen Inbusschlüssel (15) und dem Innensechskantschlüssel (27) festgezogen werden. Auf festen Sitz prüfen.

9. Die Handstange mit den 2 Muttern Handstange (26) befestigen.

ANBRINGUNG DER KONSOLE (siehe Abb. 8)

10. Das Bedienfeld (1) anheben, um es in die korrekte Position zu bringen. Dann mit der Bedienfeldmutter (8) fixieren.

WICHTIG!

11. Vor jedem Gebrauch des Laufbands sicherstellen, dass der Sockel (3) korrekt an dem senkrechten Rohr (17) fixiert ist. Dazu die Sperrmutter (7) festziehen. (Siehe Abb. 3)

Benutzung:

1. Stecker an das Stromnetz anschließen.
2. Einschaltknopf (9) am vorderen Unterteil des Geräts betätigen.

3. Der Notfallschlüssel (2) ist mit einer Klammer ausgestattet, um ihn an der Kleidung befestigen zu können. Befestigen Sie ihn an der von Ihnen getragenen Kleidung.

4. Befestigen Sie das andere Ende des Notfallschlüssels (2) am Bedienfeld (1). Die Befestigung erfolgt mittels Magnet. Justieren Sie die ideale Kabellänge zwischen Klammer und Bedienfeld, damit eine sofortige Abschaltung erfolgt, falls Sie sich ein wenig nach hinten bewegen. Befestigen Sie bei jeder Laufbandnutzung den Notfallschlüssel an der von Ihnen getragenen Kleidung.

Nach Befestigen des Notfallschlüssels (2) am Bedienfeld (1) zeigt das Display 0,0 an.

5. Betätigen Sie den Knopf  (11), um das Laufband in Betrieb zu nehmen. Die Maschine startet erst nach drei Sekunden, die auf dem Display angezeigt werden, und es ertönen akustische Signale, damit Sie sich auf die Benutzung vorbereiten können. Nach Ablauf der drei Sekunden beginnt das Band zu laufen und das Gerät geht in den manuellen Modus über und zeigt die Geschwindigkeit auf dem Display an. Die Startgeschwindigkeit beträgt 1 km/h.

6. Durch Betätigen des Knopfs ↑ (13) wird die Geschwindigkeit in Schritten von 0,1 km/h bis auf 6 km/h erhöht.

7. Durch Betätigen des Knopfs ↓ (12) wird die Geschwindigkeit verringert.

8. Durch Betätigen des Knopfs MODE (10) werden die sonstigen Funktionsanzeigen

auf dem Display angezeigt. Bei jedem Betätigen des Knopfs wechselt die Anzeige und zeigt jeweils Geschwindigkeit (SPEED), Zeit (TIME), Entfernung (DIST), verbrannte Kilokalorien (CAL) und Pulsschläge (PULSE). Zeigt die Anzeige die Funktion SCAN an, werden auf dem Display die Informationen (Geschwindigkeit, Zeit, Entfernung und Kalorien) alle fünf Sekunden angezeigt, ohne dass dazu irgendein Knopf betätigt werden muss.

9. Um Ihren Herzschlag zu messen, auf der Konsole die Option PULSE auswählen und danach die Hände auf jeden der Pulssensoren (28) legen und andrücken, bis der Puls auf dem Display angezeigt wird.

10. Jede Funktionsanzeige (14) leuchtet mit der ausgewählten Funktion auf.

Hinweis: Bei jeder Nutzung eines Programms werden die Daten zu Entfernung, Zeit und Kalorien gespeichert. Um die Zähler auf Null zu setzen, bei gestopptem Band den Modus-Knopf (10) zwei Sekunden lang gedrückt halten.

11. Das Laufband verfügt über einen manuellen Modus (P0) und 3 automatische Programme:

P0 - Manuelle Betriebsart

P1 - Intervalle

P2 - Ausdauer

P3 - Herz-Kreislauf-Maximierung

Um von einem Programm auf ein anderes Programm zu wechseln, müssen zunächst die Zähler auf Null gesetzt werden. Um die Zähler auf Null zu setzen, halten Sie den Knopf MODE (10) gedrückt, bis ein akustisches Signal ertönt. Nach Erörten des akustischen Signals drücken Sie den Knopf MODE (10), bis die Pulsfunktion (PULSE) angezeigt wird. Dann erneut den Knopf MODE (10) drücken. Das Display zeigt blinkend das Programm an, in dem Sie sich gerade befinden (P0, P1, P2 oder P3). Mit dem Knopf ↓ (12) und ↑ (13) das gewünschte Programm auswählen.

Auch bei der Verwendung von automatischen Programmen können Sie die Geschwindigkeit nach Wunsch verringern

oder erhöhen. Verändert das Programm die Geschwindigkeit automatisch, erfolgt die Erhöhung bzw. Verringerung entsprechend. Im Programm P1 kann der Benutzer, auch wenn die Geschwindigkeit variiert und automatisch zugewiesen wird, die Geschwindigkeit um 1,0 km/h erhöhen oder senken.


Im Programm P2 kann die vorgegebene Geschwindigkeit jederzeit um 1,0 km/h abgesenkt, jedoch nicht erhöht werden.

Im Programm P3 kann die vorgegebene Geschwindigkeit jederzeit um 1 km/h abgesenkt, jedoch nicht erhöht werden.

Jedes Mal, wenn das Programm die Geschwindigkeit ändert, werden Sie mit drei Tonsignalen benachrichtigt, um vorbereitet zu sein.

12. Nach Auswahl des gewünschten Programms können Sie vor dem Start die Trainingszeit auswählen. Dazu die Zeitfunktion (TIME) auswählen. Standardmäßig sind 30 Minuten vorgegeben. Diese Zeitvorgabe kann durch Betätigen des Knopfs ↓ (12) verringert bzw. mit Knopf ↑ (13) erneut angehoben werden. Es besteht die Wahl zwischen 30, 20 und 10 Minuten.

13. Wird während des Laufbandbetriebs der

Knopf  (11) betätigt, verringert das Band die Geschwindigkeit bis zum Stillstand. Für eine erneute Inbetriebnahme den Knopf erneut betätigen. Alle Funktionen werden mit den Informationen aus dem vorhergehenden Training fortgesetzt.

14. Durch Betätigen des Knopfs MODE (10) während drei Sekunden werden alle Funktionen für ein neues Training auf Null gesetzt.

15. Soll das Band schnell angehalten werden, ziehen Sie am Notfallschlüssel.

Vorgehensweise zum Entfalten der Maschine (Abb. 3)

1-Die beiden Muttern der Handstange (26) entfernen.

2-Die Handstange (6) in die waagerechte Position absenken.

3-Den Sockel (3) mit der Hand festhalten und die Mutter des senkrechten Rohrs (5) entfernen, um den Sockel freizugeben.

4. Das Band in senkrechter Position auf eine ebene Fläche stellen.

5. Vor dem Befestigen der Sockelerweiterung (19) die in den Metallsockel (18) eingesteckten Schutzteile aus Kunststoff entfernen.

6-Sockel (3) langsam absenken, bis er auf dem Boden zu liegen kommt.

7-Die Sperrmutter (7) gut festziehen.

Vorgehensweise zum Zusammenfalten der Maschine (Abb. 4)

1-Die Sperrmutter (7) lösen und abnehmen.

2-Den Sockel in senkrechte Position bringen und festhalten.

3-Den Sockel (3) und das senkrechte Rohr (17) mit Hilfe der Mutter des senkrechten Rohrs (5) befestigen.

4-Die beiden Muttern von der Handstange (26) entfernen.

5-Die Handstange (6) anheben, bis sie in senkrechter Stellung ist. Die beiden Muttern der Handstange (26) wieder anbringen, damit sie nicht verlorengehen.

6-Nach dem Zusammenklappen kann das Gerät mit Hilfe seiner Rollen (16) transportiert werden.

Instandhaltung und Reinigung des Geräts

• Stellen Sie vor der täglichen Instandhaltung sicher, dass der Einschaltknopf ausgeschaltet ist und der Stecker vom Stromnetz getrennt wurde.

• Zur Instandhaltung des Geräts keine aggressiven Produkte oder Lösungsmittel verwenden.

• Vorhandenen Schmutz am Gerät mit einem feuchten Tuch entfernen.

• Zum Reinigen des Steckers und des Bedienfelds ein trockenes Tuch verwenden. An diesen Stellen kein feuchtes Tuch verwenden.

• Das Gerät darf nicht in sehr feuchter oder staubiger Umgebung verwendet werden, da dies zu Störungen führen kann. Installieren Sie das Gerät auf ebenen Flächen, um Abstürze des Geräts und damit verbundene Schäden zu verhindern.

• Das Gerät darf nicht länger als eine Stunde lang verwendet werden. Legen Sie nach einer Stunde eine einstündige Pause ein. Die Komponenten müssen sauber gehalten werden. Beide Seiten des Bands müssen gereinigt werden, um

Schmutzansammlungen zu verhindern. Achten Sie vor dem Start auf sauberes Schuhwerk. Zum Reinigen des Bandes Seife und ein feuchtes Tuch verwenden. Keine Lösungsmittel verwenden. Nach der Nutzung eventuelle Schweißreste von den Handstangen und dem Band entfernen.

• Das Band wurde ab Werk mit einem antistatischen Schmiermittel geschmiert.

• Das Gerät kann nach 100 Betriebsstunden geschmiert werden. Ein Spezialschmiermittel für Laufbänder auf der Unterseite des Laufbands auftragen. Dazu sanft das Band vom Sockel anheben und das Schmiermittel auftragen.

Zentrieren des Bandes:

WICHTIG! Durch eine dauerhafte Nutzung und den unbewusst mit den Beinen ausgeübten Druck kann das Band seitlich von der Spur abweichen. Es muss dann erneut zentriert werden, indem die Schrauben des Bandes (29) mit dem mitgelieferten kleinen Inbusschlüssel (15) eingestellt werden. (Siehe Abb. 5:

Überprüfen, ob das Band zentriert ist. Ist dies nicht der Fall, die notwendigen Einstellungen durchführen (siehe unten).

Vor jedem Gebrauch des Geräts ist sicherzustellen, dass das Band korrekt zwischen den Schrauben des Sockels zentriert ist. Bei Bedarf zentrieren. Im Allgemeinen sind nur kleine Anpassungen notwendig. Die Schraube auf der Seite, zu der hin das Band abweicht, drehen (eine halbe Umdrehung im Uhrzeigersinn) und danach das Band mindestens 15 Sekunden lang mit 4 km/h laufen lassen. Überprüfen, ob die Abweichung korrigiert wurde und im Bedarfsfall die Schraube eine Viertel- oder halbe Umdrehung weiter anziehen, bis das Band zentriert ist.

HINWEIS: Den Abstand zwischen Band und Geräterand überprüfen. Liegt das Band wie auf Abbildung 9 gezeigt, muss es zentriert werden.

Zum Spannen des Bandes:

3. Falls das Laufband (4) während des Gebrauchs rutscht, muss das Band gespannt werden. Das Laufband abschalten und ausstecken. Mit dem kleinen Inbusschlüssel

(15) zunächst die linke Schraube und dann die rechte Schraube um eine Vierteldrehung im Uhrzeigersinn anziehen. Den Hauptschalter erneut einschalten und das Band mit einer Geschwindigkeit von 6 km/h laufen lassen. Auf dem Band laufen. Falls es weiterhin rutscht, die Vorgehensweise wiederholen bis das Band nicht mehr rutscht.

- Soll das Gerät über einen längeren Zeitraum nicht genutzt werden, bewahren Sie es staubgeschützt an einem trockenen und sauberen Ort auf.

- Den Einschaltknopf bzw. das Stromkabel nicht mit feuchten Händen berühren.

- Beim Trennen des Geräts vom Stromnetz nicht am Kabel ziehen. Kein Gewicht auf das Kabel stellen und das Kabel nicht um das Gerät wickeln, um Schäden zu vermeiden. Das Gerät nicht benutzen, wenn das Kabel bzw. der Stecker keinen korrekten Anschluss ermöglichen.

HINWEIS: Das Band darf nicht zu stark gespannt sein, da es ansonsten im Betrieb beschädigt werden kann und Geräusche erzeugt.

Technische Daten:

Spannung: 220-240V

Frequenz: 50/60 Hz

Leistung: 500 W

Dieses Produkt ist konform mit den Direktive
BS EN ISO 20957-1: 2013
BS EN 957-6:2010+A1:2014

Maße aufgeklappt

1358 mm X 610 mm X 1175 mm (L x B x H)

Maße zusammengeklappt

535 mm x 610 mm x 1435 mm (L x B x H)

Verpackungsmaße

1360mm x 280mm x 650mm (L x B x H)

Bruttogewicht 27,5 kg

Nettogewicht: 24,5 kg

Produkt der Klasse HC, für den häuslichen Gebrauch

Gymform Slim Fold Treadmill
(VDPGYCIND0124)



ENTSORGUNG

Das Symbol eines auf Rollen stehenden Containers, der durchgestrichen ist, bedeutet, dass Sie sich über die geltenden Bestimmungen zur örtlichen Entsorgung dieser Art von Produkten informieren müssen. Entsorgen Sie dieses Produkt nicht wie normalen Hausmüll. Sie müssen das Produkt gemäß den örtlichen Vorschriften entsorgen. Elektrische und elektronische Produkte enthalten gefährliche Substanzen, die eine äußerst schädliche Wirkung auf die Umwelt oder die menschliche Gesundheit haben können und fachgerecht recycelt werden müssen.

Hergestellt in China

Avvertenze

Importante: Conservare queste istruzioni per future consultazioni. Prima di installare questo dispositivo, leggere tutte le istruzioni contenute nella documentazione fornita con l'apparecchio per l'allenamento, comprese tutte le guide di montaggio, le guide utente e i manuali del produttore.

- Durante l'uso di questo apparecchio adottare sempre le precauzioni di sicurezza di base per ridurre il rischio di lesioni, incendi o danni.

- Questo apparecchio può essere utilizzato da bambini di età non inferiore a 8 anni e da persone con ridotte capacità fisiche, sensoriali o mentali o con esperienza e conoscenze insufficienti, purché attentamente sorvegliati e istruiti riguardo l'uso in sicurezza dell'apparecchio e siano consapevoli dei rischi connessi. I bambini non devono giocare con l'apparecchio. I bambini non devono eseguire operazioni di pulizia e manutenzione dell'apparecchio senza la supervisione di un adulto.

- Non lasciare mai l'apparecchio incustodito mentre è collegato alla presa di corrente. Scollegare

dalla fonte di alimentazione quando non è in uso.

- Prima di iniziare qualsiasi programma di fitness, si consiglia a tutti gli utenti di consultare un medico per una visita medica completa, soprattutto in caso di pressione alta, livelli elevati di colesterolo, malattie cardiache, storico familiare di una delle malattie sopra indicate, età superiore ai 45 anni, obesità, mancanza di allenamento regolare nell'ultimo anno, consumo di qualsiasi farmaco o se si è fumatori.

- Controllare che i componenti del prodotto siano in buone condizioni prima di utilizzarlo per la prima volta. In caso di danni, non utilizzare l'apparecchio e riportarlo in negozio.

- Il dispositivo è solo per uso personale e per interni. Questo apparecchio non è destinato all'uso commerciale.

- Il distributore non è responsabile per eventuali danni causati dall'uso improprio dell'apparecchio.

- Non tirare mai il cavo.

- Non saltare sul dispositivo. Potrebbe danneggiarsi.

- Per garantire la sicurezza, se il cavo di alimentazione è

danneggiato questo dovrà essere sostituito dal produttore, da un centro di assistenza tecnica autorizzato o da personale qualificato.

- **AVVERTENZA!** Il sistema di controllo della frequenza cardiaca potrebbe essere impreciso. Fare esercizio fisico al di là delle proprie possibilità potrebbe causare lesioni gravi o persino la morte. In caso di vertigini, interrompere immediatamente l'uso dell'apparecchio.

- L'apparecchio fa più rumore con un carico che senza.

- Non avviare il tapis roulant se è piegato.

- Prima di piegare l'apparecchio, è necessario arrestare completamente il movimento del nastro.

- Non cercare mai di riparare eventuali danni autonomamente. Chiedere sempre il supporto di un esperto.

- Dopo ogni uso, spegnere e pulire l'apparecchio. Prima di procedere alla pulizia, spegnere l'apparecchio e scollegarlo dalla fonte di alimentazione.

- Se si utilizza l'apparecchio su un tappeto, assicurarsi che i fori di ventilazione non rimangano coperti.

- Prima di iniziare a usare l'apparecchio, è necessario fare alcuni esercizi di riscaldamento. Iniziare gli esercizi lentamente e aumentare gradualmente l'intensità.

- L'apparecchio può essere utilizzato da una sola persona per ogni sessione, cioè mai da più di una persona contemporaneamente.

- NON usare questo apparecchio in caso di gravidanza.

- In caso di disturbi o vertigini, interrompere immediatamente l'uso dell'apparecchio. In caso di malessere, dolori al petto o altro sintomo, rivolgersi immediatamente al proprio medico.

- Se non si pratica sport da molto tempo o se si hanno problemi cardiaci, disturbi circolatori o problemi ortopedici, consultare il proprio medico prima di iniziare a utilizzare il dispositivo.

- Questo prodotto non è destinato all'uso da parte di bambini o persone con ridotte capacità mentali o fisiche senza la supervisione di una persona responsabile della loro sicurezza o che non hanno ricevuto da questa istruzioni sull'uso dell'apparecchio.

- Supervisionare sempre i bambini per assicurarsi che non giochino con l'apparecchio.

- Non utilizzare il dispositivo se il proprio peso supera i 110 kg.

- Questo dispositivo è stato progettato per l'uso individuale. Qualsiasi malfunzionamento generato da un uso improprio sarà esente da garanzia.

- Assicurarsi che il dispositivo venga posizionato su una superficie piana. Non indossare abiti molto lunghi ed evitare che strofinino contro il tapis roulant. Ciò ne renderebbe difficile l'uso. Indossare calzature sportive. Evitare di stare in piedi sul tapis roulant quando lo si accende. E preferibile sostare ai due lati del tapis roulant. Se all'accensione, la velocità è troppo elevata, non salire sul tapis roulant. Iniziare a usarlo in modo progressivo.

- Non interrompere bruscamente la camminata. Premere il pulsante di accensione e il tapis roulant si arresterà progressivamente.

- Interrompere la camminata non appena il tapis roulant si sarà arrestato.

- Area di sicurezza di 2.000 mm x 1.000 mm dietro l'apparecchio.



PRECAUZIONE: NON rimuovere le protezioni dell'apparecchio. Rischio di scariche elettriche! L'interno non contiene parti riparabili dall'utente.

Descrizione del prodotto

- 1-Pannello di controllo
- 2-Chiave di emergenza
- 3-Base
- 4-Tapis roulant
- 5-Dado del tubo verticale
- 6-Manubrio
- 7-Dado di bloccaggio
- 8-Dado del pannello di controllo
- 9-Interruttore di accensione
- 10-Tasto MODE

- 11- Tasto
- 12- Tasto ↓
- 13- Tasto ↑
- 14-Indicatori di funzione

- 15-Chiave Allen piccola
- 16-Ruote
- 17-Tubi verticali
- 18-Base in metallo
- 19-Prolunga base
- 20-6 rondelle
- 21-6 viti
- 22-Cavo del manubrio
- 23-Cavo del tubo verticale
- 24-2 viti
- 25-2 dadi
- 26-Dadi manubrio
- 27-Chiave inglese
- 28-Sensori frequenza cardiaca
- 29-Viti del nastro


Istruzioni di montaggio:

1. Aprire la scatola, disimballare tutte le parti ed estrarre il tapis roulant.
- POSIZIONAMENTO DELLA PROLUNGA BASE IN METALLO (vedi fig. 6)
2. Posizionare il nastro in posizione verticale su una superficie piana.
3. Assicurarsi che il dado del tubo verticale (5) sia stato posizionato e stia a fissare la base (3) con il tubo verticale (17).
4. Fissare la prolunga base (19) con la chiave Allen grande (16) alla base in metallo (18) con le 6 rondelle (20) e le 6 viti (21).
- POSIZIONAMENTO DEL MANUBRIO (vedi fig. 7)
5. Rimuovere il dado del tubo verticale (5) che sostiene la base (3) al tubo verticale (17).
6. Abbassare la base (3) lentamente e lasciarla appoggiata al pavimento.
7. Collegare il cavo del manubrio (22) al cavo del tubo verticale (23). Vedi fig. 7
8. Posizionare il manubrio (6) sui tubi verticali (17) e fissarli con le 2 viti (24) e i dadi (25), quindi stringerli con la chiave Allen piccola (15) e la chiave inglese (27). Assicurarsi che il fissaggio sia solido.
9. Fissare il manubrio con i 2 dadi manubrio (26).
- POSIZIONAMENTO DEL PANNELLO DI CONTROLLO (Vedi fig. 8).
10. Portare il pannello di controllo (1) alla posizione corretta e fissarlo con il dado del pannello (8).

IMPORTANTE:

11. Prima di utilizzare il tapis roulant, assicurarsi che la base (3) sia ben fissata ai tubi verticali (17). A tal fine, stringere il dado di bloccaggio (7). (Vedi fig. 3)

Modo d'uso:

1. Collegare la spina alla rete elettrica.
2. Premere l'interruttore di accensione (9) posto sulla parte anteriore inferiore dell'apparecchio.
3. La chiave di emergenza (2) è dotata di una clip per attaccarla ai vestiti. Fissarla ai vestiti indossati.
4. Posizionare l'altra estremità della chiave di emergenza (2) sul pannello di controllo (1). Va fissata tramite un magnete. Mantenere una lunghezza corretta del cavo tra la clip e il pannello di controllo in modo che se ci si sposta un po' indietro si possa scollegare immediatamente. A ogni uso del tapis roulant, attaccare la chiave di emergenza ai vestiti indossati.
- Una volta collegata la chiave di emergenza (2) al pannello di controllo (1), il display mostrerà 0.0..
5. Premere il tasto  (11) per avviare il tapis roulant. L'apparecchio si avvia solo dopo i 3 secondi visualizzati sul display e avviserà l'utente con dei segnali acustici in modo che possa prepararsi all'uso. Dopo questi 3 secondi, il tapis roulant inizia a muoversi ed entra in modalità manuale, mostrando la velocità sul display.
- Il valore iniziale della velocità è di 1km/h.
6. Premendo il tasto ↑ (13) la velocità aumenta da 0,1 a 0,1 km/h fino a raggiungere 6 km/h.
7. Premendo il tasto ↓ (12) la velocità rallenta.
8. Premendo il tasto MODE (10) verranno visualizzate le altre opzioni di funzione sul display. Ogni volta che si preme il tasto, verranno visualizzati la velocità (SPEED), il tempo (TIME), la distanza (DIST), le calorie bruciate (CAL) e la frequenza cardiaca (PULSE). Se l'indicatore mostra la funzione SCAN, il display visualizzerà le informazioni (velocità, tempo, distanza e calorie) ogni 5 secondi senza dover

premere alcun tasto.

9. Per conoscere la propria frequenza cardiaca, scegliere l'opzione PULSE sul pannello di controllo, posizionare e premere con le mani su ciascuno dei sensori di frequenza cardiaca (28) fino a visualizzare la frequenza cardiaca sul display.

10. Ogni indicatore di funzione (14) si illuminerà con la funzione scelta.

Nota: Ogni volta che si usa un programma, verranno memorizzati i dati relativi alla distanza percorsa, il tempo e le calorie. Per azzerare gli indicatori di allenamento, una volta che il tapis roulant si sarà arrestato, premere il tasto MODE (10) per 2 secondi.

11. Il tapis roulant è dotato di una modalità manuale (P0) e 3 programmi automatici:

P0 - Modalità manuale

P1 - Intervalli

P2 - Resistenza

P3 - Massimizzatore cardiovascolare

Per poter passare da un programma all'altro è necessario prima impostare gli indicatori di allenamento su zero. Per impostare gli indicatori a zero, tenere premuto il tasto MODE (10) fino a udire un segnale acustico. Una volta udito il segnale acustico, premere il tasto MODE (10) fino a trovare la funzione di frequenza cardiaca (PULSE), quindi rilasciare e premere nuovamente il tasto MODE (10). Il display indicherà lampeggiando il programma in cui ci si trova (P0, P1, P2 o P3). Scegliere il programma desiderato con il tasto ↓ (12) e il tasto ↑ (13).


Anche per i programmi automatici è possibile regolare la velocità a proprio piacimento diminuendola o aumentandola. Quando il programma varia automaticamente la velocità, questa verrà aumentata e diminuita in proporzione.

Nel programma P1, sebbene la velocità vari e venga assegnata automaticamente, l'utente può aumentarla o diminuirla di 1,0 km/h.

Nel programma P2 è possibile sempre ridurre la velocità preimpostata di 1,0

km/h, ma non può essere aumentata. Nel programma P3 è possibile sempre ridurre la velocità preimpostata di 1 km/h, ma non può essere aumentata.

12. Una volta scelto il programma da utilizzare e prima di iniziare, è possibile scegliere il tempo di allenamento. Passare alla funzione tempo (TIME). Il tempo predefinito sarà sempre di 30 minuti. È possibile ridurlo premendo il tasto ↓ (12) e aumentarlo di nuovo con il tasto ↑ (13). È possibile scegliere tra 30, 20 e 10 minuti.

13. Quando il tapis roulant è in funzione, premendo il tasto  (11), il nastro rallenterà fino ad arrestarsi. Per riavviarlo, premere di nuovo il pulsante. Si riprenderanno tutte le funzioni con le informazioni dell'esercizio precedente.

14. Premendo il tasto MODE (10) per 3 secondi, si azzereranno tutte le funzioni per un nuovo allenamento.

15. Se si desidera arrestare il nastro, tirare la chiave d'emergenza.

Sistema per aprire l'apparecchio (vedi fig. 3)

- 1- Rimuovere i 2 dadi del manubrio (26).
- 2- Abbassare il manubrio (6) in modo che si trovi in posizione orizzontale.
- 3- Sorreggere la base (3) con la mano e rimuovere il dado del tubo verticale (17) per sbloccare la base.
4. Posizionare il nastro in posizione verticale su una superficie piana.
5. Rimuovere le parti protettive in plastica inserite nella base in metallo (18) prima di fissare la prolunga base (19).
6. Abbassare la base (3) lentamente fino a quando non arrivi al pavimento.
7. Serrare il dado di bloccaggio (7) fino a fissarlo completamente.

Sistema per piegare l'apparecchio (vedi fig. 4)

- 1- Svitare il dado di bloccaggio (7).
- 2- Sollevare la base in posizione verticale e sorreggerla.
- 3- Fissare la base (3) e i tubi verticali (17) con il dado del tubo verticale (5).

4- Rimuovere i 2 dadi del manubrio (26).

5- Sollevare il manubrio (6) in modo che si trovi in posizione verticale. Riposizionare i 2 dadi del manubrio (26) in modo che non vadano persi.

6- Una volta piegato, l'apparecchio può essere trasportato con le apposite ruote (16).

Manutenzione e pulizia del prodotto

- Prima della manutenzione giornaliera, assicurarsi di aver spento l'interruttore di accensione e staccato la spina.
- Per la manutenzione del dispositivo non utilizzare prodotti abrasivi o solventi.
- Se il dispositivo è sporco, pulirlo con un panno umido.
- Per pulire la spina e il pannello di controllo, usare un panno asciutto. Non usare panni bagnati.
- Non utilizzare il dispositivo in luoghi molto umidi o polverosi che potrebbero causare guasti. Installare l'apparecchio su superfici piane per evitarne la caduta. Potrebbe danneggiarsi.
- Non utilizzare il dispositivo per più di 1 ora, fare una pausa tra un'ora di utilizzo e l'altra. Mantenere puliti i componenti dell'apparecchio. Pulire entrambi i lati del nastro in modo da ridurre l'accumulo di sporco. Prima di utilizzare l'apparecchio, assicurarsi di indossare calzature pulite. Per pulire il nastro, usare sapone e un panno umido. Non usare solventi. Pulire il sudore dai manubri e dal nastro dopo l'uso.
- Il tapis roulant è lubrificato di fabbrica con un lubrificante antistatico.
- È possibile lubrificare il dispositivo dopo 100 ore di utilizzo. Applicare un lubrificante speciale per nastri sotto il tapis roulant. Sollevare delicatamente il nastro dalla base e applicare il lubrificante.

Centraggio del nastro:

IMPORTANTE: A causa dell'uso continuo e della pressione esercitata inconsciamente con le gambe, il nastro può deviare verso un lato. Per questo

motivo, sarà necessario tornare a centrarlo, stringendo le viti del nastro (29) con la chiave Allen piccola fornita in dotazione (15), vedi fig. 5:

Controllare che il nastro sia centrato. In caso contrario, effettuare le regolazioni necessarie per centrarlo (vedi sotto).

Ogni volta che si usa l'apparecchio, assicurarsi che il nastro sia ben centrato tra le viti della base. Centrarlo se necessario. In generale, sono necessari solo piccole regolazioni. Ruotare la vite sul lato in cui il nastro presenta una deviazione (mezzo giro in senso orario), quindi avviare il nastro e lasciarlo in funzione per almeno 15 secondi a 4 km/h. Controllare che la deviazione sia stata risolta, e, se necessario, effettuare un ulteriore 1/4 di giro o mezzo giro fino a centrare il nastro.

NOTA: Controllare la distanza tra il nastro e il bordo dell'apparecchio. Nel caso in cui il nastro si presenti come alla figura 9, centrarlo.

Per tendere il nastro:

1. Se il tapis roulant (4) scivola durante l'uso, sarà necessario regolare la tensione del nastro. Spegnerlo e scollegare il tapis roulant. Con la chiave Allen piccola (15), girare le viti di sinistra e poi quelle di destra di 1/4 di giro in senso orario. Riaccendere l'interruttore principale e far scorrere il nastro alla velocità di 6 km/h. Utilizzare il nastro camminandoci sopra. Se continua a scivolare, ripetere la procedura fino a quando il nastro non scivola più.

- In caso di inutilizzato prolungato del dispositivo, conservarlo in un luogo asciutto e pulito, evitando il contatto con la polvere.

- Non toccare il pulsante di accensione o il cavo di alimentazione con le mani bagnate.

- Quando si scollega l'apparecchio, farlo senza tirare il cavo. Non posizionare alcun peso sul cavo, non avvolgerlo intorno al dispositivo per evitare rotture. Non usare il dispositivo

se il cavo o la spina non si collegano correttamente.

NOTA: Il nastro non deve essere troppo teso, in quanto, essendo l'apparecchio in funzione, potrebbe danneggiarlo e fare rumore.

Specifiche tecniche:

Voltaggio: 220-240V

Frequenza: 50/60 Hz

Potenza: 500 W

Questo prodotto soddisfa la Direttiva
BS EN ISO 20957-1: 2013
BS EN 957-6:2010+A1:2014

Dimensioni apparecchio aperto

1358 mm X 610 mm X 1175 mm (L x P x A)

Dimensioni apparecchio piegato

535 mm x 610 mm x 1435 mm (L x P x A)

Dimensioni imballaggio

1360mm x 280mm x 650mm (L x P x A)

Peso lordo: 27,5 kg

Peso netto: 24,5 kg

Prodotto di classe HC per uso domestico.

Gymform Slim Fold Treadmill
(VDPGYCIND0124)



DISMISSIONE E ROTTAMAZIONE DELL'APPARECCHIO

Il simbolo di un cassonetto su ruote barrato indica che è necessario conoscere e rispettare le normative e le ordinanze municipali specifiche per l'eliminazione di questo tipo di prodotti. Non disfarsi di questo articolo come se si trattasse di un comune residuo domestico.

Seguire le normative e le ordinanze municipali pertinenti.

I prodotti elettrici ed elettronici contengono sostanze pericolose che hanno effetti nocivi sull'ambiente e/o sulla salute umana, per cui devono essere convenientemente riciclati.

Garantia de qualidade:

Este produto está coberto por uma garantia contra defeitos de fabrico sujeita aos prazos estipulados pela legislação em vigor em cada país.

Esta garantia não cobre os danos decorrentes de um uso inadequado, uso comercial negligente, desgaste anormal, acidentes ou manipulação indevida.

Fabricado na China

Advertências

Importante: Guarde estas instruções para consulta futura. Leia todas as instruções na documentação entregue com o equipamento de exercícios, incluindo todos os guias de montagem, os manuais do utilizador e os manuais do fabricante, antes de instalar este aparelho.

- Tome sempre as precauções de segurança básicas quando utilizar este equipamento para reduzir o risco de lesões, de incêndio ou de danos.

- Este aparelho pode ser utilizado por crianças com 8 ou mais anos e por pessoas com capacidades físicas, sensoriais ou mentais limitadas ou com falta de experiência e conhecimento se forem supervisionadas ou tiverem recebido instruções para a sua utilização segura e compreenderem os perigos associados. As crianças não devem brincar com o aparelho. As crianças não devem realizar a limpeza nem a manutenção do aparelho sem supervisão.

- Nunca deixe o equipamento sem supervisão quando estiver ligado. Desligue-o da fonte de alimentação quando não estiver

a ser utilizado.

- Recomendamos que todos os utilizadores consultem um médico para que faça um exame físico completo antes de iniciar qualquer programa de fitness, especialmente em caso de tensão arterial elevada, níveis elevados de colesterol, doenças cardíacas, historial familiar com alguma das doenças antes mencionadas, idade superior a 45 anos, tabagismo, obesidade, falta de exercício periódico no último ano ou toma de alguma medicação.

- Certifique-se de que os componentes do produto estão em bom estado antes de o utilizar pela primeira vez. Caso estejam danificados, a máquina não pode ser usada. Deve devolvê-la à loja.

- Este aparelho destina-se exclusivamente a uma utilização pessoal e de interior; a máquina não está preparada para uma utilização comercial.

- O distribuidor não é responsável por quaisquer perdas ou danos causados por uma utilização indevida da máquina.

- Nunca puxe o cabo elétrico.

- Não salte sobre o aparelho, pois pode danificá-lo.

- Para evitar riscos, se o cabo de

alimentação estiver danificado deverá ser substituído pelo fabricante, pelo serviço técnico autorizado ou por pessoal qualificado.

- **ADVERTÊNCIA!** O sistema de controlo do pulso cardíaco pode ser inexato. Fazer exercício para além das suas possibilidades pode provocar lesões graves e até a morte. Em caso de indisposição, suspenda imediatamente a utilização do aparelho.

- O aparelho faz mais ruído com carga.

- Não ligue o aparelho se estiver dobrado.

- É necessário que a passadeira pare completamente antes de dobrar o aparelho.

- Nunca tente reparar sozinho os danos, recorra sempre a um especialista.

- Depois de cada utilização, a máquina deve ser desligada e limpa. Desligue a máquina e desconecte-a da fonte de energia antes de iniciar a limpeza.

- Se utilizar a máquina sobre uma alcatifa, certifique-se de que os orifícios de ventilação não ficam obstruídos.

- Antes de começar a utilizar

a máquina, deve fazer alguns exercícios de aquecimento. Inicie os exercícios lentamente e aumente a intensidade gradualmente.

- A máquina apenas poderá ser utilizada por uma pessoa em cada sessão, ou seja, nunca mais de uma em simultâneo.

- As mulheres grávidas NÃO DEVEM utilizar esta máquina.

- Deixe de utilizar a máquina imediatamente se sentir indisposição ou estiver enjoado. Consulte o seu médico imediatamente se se sentir mal, tiver dor no tórax ou qualquer outro sintoma.

- Se não tiver praticado desporto durante muito tempo ou se sofrer de um problema cardíaco, perturbações circulatórias ou problemas ortopédicos, antes de começar a utilizar o aparelho, deve consultar o seu médico.

- Este produto não foi concebido para ser utilizado por crianças ou por pessoas com capacidades mentais ou físicas reduzidas sem a supervisão ou a instrução do responsável pela sua segurança.

- As crianças devem ser sempre supervisionadas para garantir que não brincam com a máquina.

- Não utilize este aparelho se o seu peso superar 110 kg.

- O aparelho foi projetado para uma utilização individual, pelo

que qualquer avaria ocasionada por uma utilização inadequada não estará coberta de garantia.

- Certifique-se de que o aparelho está numa superfície plana. Não utilize roupa muito larga durante a utilização para evitar fricções na passadeira que dificultam a sua utilização. Utilize calçado desportivo durante o exercício. Quando ligar a passadeira, procure não estar sobre a mesma. É preferível estar de pé num dos lados da passadeira. Se a velocidade inicial da passadeira for muito elevada, não salte sobre a mesma. Inicie com uma utilização gradual.

- Não pare bruscamente de caminhar, carregue no botão de ligar e a passadeira vai parar progressivamente.

- Deixe de andar quando a passadeira parar.


- Área de segurança de 2000 mm x 1000 mm na parte posterior do equipamento.



PRECAUÇÃO: NÃO retire a cobertura; existe um risco de uma descarga elétrica. O interior não contém peças reparáveis pelo utilizador.

Descrição do produto

- 1- Painel de controlo
- 2- Chave de emergência
- 3- Base
- 4- Passadeira
- 5- Porca do tubo vertical
- 6- Manípulo
- 7- Porca de bloqueio
- 8- Porca do painel de controlo
- 9- Interruptor de ligar
- 10- Botão MODE

- 11-  Botão
- 12- Botão ↓
- 13- Botão ↑

- 14- Indicadores de função
- 15- Chave Allen pequena
- 16- Rodas
- 17- Tubos verticais
- 18- Base metálica
- 19- Extensão base
- 20- Anilhas x 6
- 21- Parafusos x 6
- 22- Cabo do manípulo
- 23- Cabo do tubo vertical
- 24- Parafusos x 2
- 25- Porcas x 2
- 26- Porcas do manípulo
- 27- Chave inglesa
- 28- Sensores de pulso
- 29- Parafusos tapete

Instruções de montagem:

1. Abra a caixa, desembale todas as peças e extraia a passadeira.

COLOCAÇÃO EXTENSÃO BASE METÁLICA (ver fig. 6)

2. Coloque a passadeira na posição vertical sobre uma superfície plana.

3. Certifique-se de que a porca do tubo vertical (5) está colocada e a fixar a base (3) ao tubo vertical (17).

4. Fixe com a chave Allen grande (16) a extensão base (19) na base metálica (18) através das seis anilhas (20) e dos seis parafusos (21).

COLOCAÇÃO MANÍPULO (ver fig. 7)

5. Retire a porca do tubo vertical (5) que está a segurar a base (3) com o tubo vertical (17).

6. Baixe a base (3) lentamente e deixe-a apoiada no solo.

7. Conecte o cabo do manípulo (22) ao cabo do tubo vertical (23). Ver a fig. 7

8. Coloque o manípulo (6) sobre os tubos verticais (17) e fixe-os com os dois parafusos (24) e as porcas (25), apertando-os com a chave Allen pequena (15) e a chave inglesa (27). Certifique-se de uma boa fixação.

9. Fixe o manípulo com as duas porcas do manípulo (26).

COLOCAÇÃO DO PAINEL DE CONTROLO (ver. fig. 8)

10. Levante o painel de controlo (1) para o colocar na posição correta e fixe-o com a porca do painel (8).

IMPORTANTE:

11. Antes de usar a passadeira, certifique-se sempre de que fixa corretamente a base (3) aos tubos verticais (17). Para fazer isto, enrosque a porca de bloqueio (7). (Ver fig. 3)

Modo de utilização:


1. Ligue a ficha à rede elétrica.

2. Carregue no interruptor de ligar (9) situado na parte inferior da frente da máquina.

3. A chave de emergência (2) tem uma pinça para prender à roupa. Deve prender a pinça na roupa que estiver a usar.

4. Coloque a outra extremidade da chave de emergência (2) no painel de controlo (1). Será fixada com um íman. Deixe o comprimento ideal do cabo entre a pinça e o painel de controlo, de maneira que, se você se mover um pouco para trás, se desligue imediatamente. Sempre que utilizar a passadeira, prenda a chave de emergência à roupa que estiver a usar.

Depois de fixar a chave de emergência (2) no painel de controlo (1), o ecrã indicará 0.0.

5. Carregue no botão  (11) para pôr a passadeira em funcionamento. A máquina não começará a funcionar enquanto não passarem 3 s, que são mostrados no ecrã, e você será avisado com sinais acústicos, para assim se poder preparar para a utilização. Passados estes 3 s, a passadeira começa a mover-se e a máquina entra em modo manual e mostrará a velocidade no ecrã.

O valor inicial de velocidade é 1 km/h.

6. Ao carregar no botão ↑ (13) a velocidade aumenta de 0,1 km em 0,1 km até atingir os 6 km/h.

7. Ao carregar no botão ↓ (12) a velocidade diminui.

8. Ao carregar no botão MODE (10) poderá ver as outras opções de função no ecrã. De cada vez que pressionar o botão, mudará

para visualizar a velocidade (SPEED), o tempo (TIME), a distância (DIST), as calorias queimadas (CAL) e o pulso (PULSE). Se o indicador mostrar a função SCAN, o ecrã vai mostrar a informação (velocidade, tempo, distância e calorias) a cada 5 s sem ter de pressionar qualquer botão.

9. Para saber o seu pulso cardíaco, escolha a opção PULSE no painel de controlo e coloque e pressione as mãos sobre cada um dos sensores de pulso (28) até o visualizar no ecrã.

10. Cada indicador de função (14) irá iluminar-se com a função selecionada.

Nota: Sempre que utilizar um programa, serão armazenados os dados da distância percorrida, do tempo e das calorias. Para reiniciar os marcadores, quando a passadeira estiver parada, carregue no botão Mode (10) durante 2 s.

11. A passadeira tem um modo manual (P0) e três programas automáticos:

P0 - Modo manual

P1 - Intervalos

P2 - Resistência

P3 - Maximizador cardiovascular

Para mudar entre programas, primeiro tem de reiniciar os marcadores. Para reiniciar os marcadores, carregue no botão MODE (10) até ouvir um sinal acústico. Depois de ouvir o sinal acústico, carregue novamente no botão MODE (10) até encontrar a função de pulso (PULSE) e volte a carregar no botão MODE (10). O ecrã indicará intermitente o programa em que se encontra (P0, P1, P2 ou P3). Com o botão ↓ (12) e o botão ↑ (13) escolha o programa pretendido.

Também pode diminuir ou aumentar a velocidade conforme pretender através dos programas automáticos. Quando um programa variar a velocidade automaticamente, esta aumenta e diminui de forma proporcional.

No programa P1, embora a velocidade varie e seja atribuída automaticamente, o utilizador

pode aumentar ou diminuir a velocidade 1,0 km/h.


No programa P2 é possível diminuir a velocidade predefinida em cada momento em 1,0 km/h, mas não pode ser aumentada.

No programa P3 é possível diminuir a velocidade predefinida em cada momento em 1 km/h, mas não pode ser aumentada.

Sempre que o programa alterar a velocidade, será avisado com três sinais acústicos para que esteja preparado.

12. Depois de escolher o programa a utilizar e antes de começar, pode escolher o tempo de exercício. Aceda à função Tempo (TIME) que por defeito serão sempre 30 min. Pode diminuir ao carregar no botão ↓ (12) e voltar a aumentar com o botão ↑ (13). É possível escolher 30 min, 20 min e 10 min.

13. Quando a passadeira estiver a funcionar,

se carregar no botão  (11), a velocidade vai diminuir até que a passadeira se imobilize. Para voltar a ligá-la, carregue novamente neste botão e todas as funções prosseguirão com a informação do exercício anterior.

14. Se carregar durante 3 s no botão MODE (10), todas as funções serão reiniciadas para um novo exercício.

15. Se quiser parar a passadeira de maneira rápida, puxe a chave de emergência.

Sistema para abrir a máquina (ver fig. 3)

1- Retire as duas porcas do manípulo (26).

2- Desça o manípulo (6) para ficar na posição horizontal.

3- Segure com a mão a base (3) e retire a porca do tubo vertical (5) para desbloquear a base.

4- Coloque a passadeira na posição vertical sobre uma superfície plana.

5- Retire as peças de plástico de proteção inseridas na base metálica (18) antes de fixar a extensão da base (19).

6- Desça a base (3) lentamente até a deixar no solo.

7- Enrosque a porca de bloqueio (7) até ficar

bem fixada.

Sistema para dobrar a máquina (ver fig. 4)

1- Desenrosque a porca de bloqueio (7).

2- Suba a base na posição vertical e prenda-a.

3- Fixe a base (3) e os tubos verticais (17) com a porca do tubo vertical (5).

4- Retire as duas porcas do manípulo (26).

5- Suba o manípulo (6) para que fique na posição vertical. Volte a colocar as duas porcas do manípulo (26) para não se perderem.

6- A máquina dobrada assim pode ser transportada com as rodas (16).

Manutenção e limpeza do produto

- Certifique-se de que desligou o interruptor de ligar e que desconectou a ficha elétrica antes da manutenção diária.

- Não utilize produtos abrasivos nem solventes na manutenção do aparelho.

- Se houver sujidade no aparelho, pode limpá-lo com um pano húmido.

- Utilize um pano seco para limpar a ficha e o painel de controlo. Não utilize panos húmidos.

- Não utilize o aparelho em lugares muito húmidos ou com muito pó, que possam causar avarias. Instale a máquina em superfícies planas para evitar qualquer queda do aparelho causadora de avarias.

- Não utilize o aparelho durante mais de uma hora. Decorrido este tempo, faça uma pausa também de 1 h antes de uma nova utilização.

Os componentes devem ser mantidos limpos. Ambos os lados da passadeira devem ser limpos para reduzir a acumulação de sujidade.

Certifique-se de que o calçado está limpo antes da utilização. Utilize detergente e um pano húmido para limpar a passadeira, não utilize solventes. Limpe o suor dos braços e da passadeira depois da utilização.

- A passadeira foi lubrificada na fábrica com um lubrificante antiestático.

- Pode lubrificar o aparelho depois de 100 horas de utilização. Aplique um lubrificante especial para passadeiras pela parte sob a passadeira. Levante ligeiramente a passadeira da base e aplique o lubrificante.

Centrar a passadeira:

IMPORTANTE: Devido a uma utilização contínua e à pressão exercida com as pernas, a passadeira pode desviar-se para um dos lados. É necessário voltar a centrá-la ajustando os parafusos da passadeira (29) com a chave Allen pequena fornecida (15). Ver a fig. 5;

Comprove se a passadeira está centrada. Caso contrário, realize os ajustes necessários para a centrar (ver a seguir).

Sempre que utilizar o aparelho, certifique-se de que a passadeira está bem centrada entre os parafusos da base. Se for necessário, proceda ao seu centramento. De uma forma geral, são necessários apenas uns pequenos ajustes. Rode o parafuso do lado do desvio (meia volta para a direita) e depois deixe a passadeira a funcionar durante, pelo menos, 15 s a 4 km/h. Verifique se o desvio foi solucionado e, se for necessário, realize mais 1/4 de volta ou meia volta até que a passadeira fique centrada.

NOTA: Comprove a distância entre o tapete e a borda do aparelho. Se a passadeira estiver como na figura 9, então deve centrá-la.

Para tensionar a passadeira:

3. Se a passadeira (4) resvalar durante a utilização, tem de a tensionar. Desligue e desconecte a passadeira da tomada elétrica. Com a chave Allen pequena (15), rode o parafuso esquerdo e depois o direito 1/4 de volta no sentido dos ponteiros do relógio. Volte a ligar o interruptor principal e faça funcionar a passadeira a uma velocidade de 6 km/h. Utilize a passadeira caminhando sobre ela; se ainda resvalar, repita o procedimento até deixar de o fazer.

- Se o aparelho não for utilizado durante um período prolongado, deve guardá-lo num local seco e limpo, evitando o contacto com o pó.

- Não toque no botão de ligar ou no cabo de alimentação com as mãos húmidas.

- Quando desligar a máquina, deve fazê-lo sem puxar o cabo. Não coloque pesos sobre o cabo, nem o enrole no aparelho para evitar

a rutura. Não utilize o aparelho se o cabo ou a ficha elétrica não fizerem uma boa conexão.
NOTA: A passadeira não deve estar demasiado tensa, pois, se o aparelho estiver a funcionar, pode ficar danificado e fazer ruído.

Especificações técnicas:

Tensão: 220-240V
Frequência: 50/60 Hz
Potência: 500 W

Este producto cumpre as Directivas
BS EN ISO 20957-1: 2013
BS EN 957-6:2010+A1:2014

Medidas aberta

1358 mm x 610 mm x 1175 mm (C x L x A)

Medidas dobrada

535 mm x 610 mm x 1435 mm (C x L x A)

Medidas embalagem

1360mm x 280mm x 650mm (C x L x A)

Peso bruto: 27,5 kg

Peso líquido: 24,5 kg

Produto de classe HC para utilização doméstica

Gymform Slim Fold Treadmill
(VDPGYCIND0124)

COMO SE DESFAZER DOS MATERIAIS

O símbolo de um contentor sobre rodas riscado indica que Você se deve informar e seguir as normas locais relativas à eliminação deste tipo de produtos.

Não se desfaça deste produto da mesma forma que o faz habitualmente com os resíduos gerais da sua casa. A eliminação do produto deve ser realizada de acordo com as normas locais aplicáveis.

Os produtos elétricos e eletrónicos contêm substâncias perigosas que têm efeitos nefastos sobre o ambiente e a saúde humana e, portanto, devem ser reciclados adequadamente.

Garantia de qualidade:

Este produto está coberto por uma garantia contra defeitos de fabrico sujeita aos prazos estipulados pela legislação em vigor em cada país.

Esta garantia não cobre os danos decorrentes de um uso inadequado, uso comercial negligente, desgaste anormal, acidentes ou manipulação indevida.

Fabricado na China

Waarschuwingen

Belangrijk: bewaar deze instructies voor toekomstig gebruik.

Lees alle instructies in de documentatie die bij het trainingstoestel is geleverd, met inbegrip van de montage- en gebruikershandleidingen en de handleidingen van de fabrikant, voordat u dit toestel installeert.

- Dit apparaat mag worden gebruikt door kinderen van 8 jaar en ouder en personen met beperkte lichamelijke, zintuiglijke of mentale vermogens of met gebrek aan ervaring of kennis, mits zij dat doen onder toezicht of de juiste aanwijzingen hebben gekregen over een veilig gebruik van het apparaat en bekend zijn met de gevaren die dat met zich meebrengt. Kinderen mogen niet met het apparaat spelen. Reinigings- en onderhoudswerkzaamheden aan het apparaat mogen niet zonder toezicht door kinderen worden uitgevoerd.

- Laat kinderen of andere personen die niet vertrouwd zijn met de werking van dit toestel er niet op stappen of in de buurt ervan komen. Laat kinderen niet in de buurt van het toestel

komen zonder toezicht van een volwassene.

- Laat het toestel nooit onbeheerd achter als het op het stroomnet is aangesloten. Haal de stekker uit het stopcontact als u het toestel niet gebruikt.

- Wij raden alle gebruikers aan een volledig lichamelijk onderzoek door een arts te laten uitvoeren alvorens met een fitnessprogramma te beginnen; dit geldt met name voor personen met hoge bloeddruk, een hoog cholesterolgehalte of hartziekten, personen met familieleden die aan een van de bovengenoemde ziekten lijden, personen van 45 jaar of ouder, rokers, personen met overgewicht, personen die het afgelopen jaar niet regelmatig getraind hebben en personen die geneesmiddelen nemen.

- Controleer of de onderdelen van het product in goede staat verkeren voordat u het voor de eerste keer gebruikt. In geval van beschadigingen mag het toestel niet worden gebruikt. Breng het terug naar de winkel.

- Het toestel dient enkel voor persoonlijk gebruik binnenshuis en is niet bedoeld voor commercieel gebruik.

- De distributeur is niet

verantwoordelijk voor schade veroorzaakt door een verkeerd gebruik van het toestel.

- Trek nooit aan het netsnoer.

- Spring niet op het toestel aangezien het daardoor beschadigd kan raken.

- Om gevaar te voorkomen moet het netsnoer, als het beschadigd is, worden vervangen door de fabrikant, de bevoegde technische dienst of gekwalificeerd personeel.

- **WAARSCHUWING!** De hartslagmeter kan onnauwkeurig zijn. Trainen op een te zwaar niveau kan ernstig letsel en zelfs de dood tot gevolg hebben. Voelt u zich duizelig, stop dan onmiddellijk met het gebruik van de machine.

- De machine maakt meer lawaai met dan zonder belasting.

- Zet de loopband niet aan als hij ingeklapt is.

- De loopband moet helemaal stilstaan voordat de machine mag worden ingeklapt.

- Probeer de schade nooit zelf te repareren, maar doe een beroep op een deskundige.

- Na elk gebruik moet het toestel worden uitgeschakeld en gereinigd. Schakel het toestel uit en koppel het los van het

stroomnet voordat u met het schoonmaken begint.

- Als u het toestel op een vloerkleed gebruikt, zorg er dan voor dat de ventilatiegaten niet worden afgedekt.

- Doe eerst wat opwarmingsoefeningen voordat u het toestel gaat gebruiken. Begin de oefeningen langzaam en verhoog geleidelijk de intensiteit.

- Het toestel mag slechts door één persoon per sessie worden gebruikt, d.w.z. nooit door meer dan één persoon per keer.

- Zwangere vrouwen mogen dit toestel NIET gebruiken.

- Stop onmiddellijk met het gebruik van het toestel als u zich onwel of duizelig voelt worden. Ga onmiddellijk naar de dokter als u zich ziek voelt, pijn op de borst heeft of andere symptomen ervaart.

- Als u lange tijd niet hebt gesport of als u hartproblemen, bloedsomloopstoornissen of een orthopedisch probleem hebt, moet u uw arts raadplegen voordat u het toestel gebruikt.

- Dit product is niet bedoeld voor gebruik door kinderen of personen met beperkte mentale of lichamelijke vermogens zonder toezicht of begeleiding van de persoon die verantwoordelijk is voor hun veiligheid.

- Men dient toezicht te houden op

kinderen om er zeker van te zijn dat ze niet met het toestel spelen.

- Gebruik het toestel niet als u meer dan 110 kg weegt.

- Het toestel is ontworpen voor individueel gebruik. Storingen die worden veroorzaakt door een onjuist gebruik vallen niet onder de garantie.

- Zorg ervoor dat het toestel op een vlakke ondergrond staat. Draag geen al te lange kleding, want deze kan in contact komen met de loopband en het gebruik ervan bemoeilijken. Draag sportschoenen als u de band gebruikt. Let erop dat u bij het inschakelen van het toestel niet op de loopband staat. Het is beter om een voet aan elke zijde van de loopband te zetten. Als de beginsnelheid van de band te hoog is, spring er dan niet op, maar stel de snelheid lager in en voer deze geleidelijk op.

- Houd niet abrupt op met lopen maar druk op de aan/uit-schakelaar, waarna de band geleidelijk zal stoppen.

- Stop met lopen wanneer de band tot stilstand is gekomen.

- Veiligheidszone van 2.000 mm x 1.000 mm achter het toestel.



WAARSCHUWING: verwijder de afdekking NIET, want er bestaat risico op elektrische schokken. Het inwendige deel bevat geen onderdelen die door de gebruiker kunnen worden gerepareerd.

Beschrijving van het product

- 1- Bedieningspaneel
- 2- Veiligheidsleutel
- 3- Onderstel
- 4- Loopband
- 5- Draaiknop van de verticale buis
- 6- Stuurstang
- 7- Vergrendelknop
- 8- Draaiknop voor het bedieningspaneel
- 9- Aan/uit-schakelaar
- 10- Toets MODE
- 11-  Toets
- 12- Toets ↓

- 13- Toets ↑
- 14- Functie-indicatoren
- 15- Kleine inbussleutel
- 16- Wielen
- 17- Verticale buizen
- 18- Metalen onderstel
- 19- Extensie onderstel
- 20- Sluiteringen x 6
- 21- Schroeven x 6
- 22- Kabel stuurstang
- 23- Kabel verticale buis
- 24- Schroeven x 2
- 25- Draaiknoppen x 2
- 26- Draaiknoppen stuurstang
- 27- Sleutel
- 28- Hartslagsensoren
- 29- Schroeven band

Montage-instructies:

1. Open de doos, haal alle onderdelen uit de verpakking en neem de loopband eruit.
- PLAATSEN EXTENSIE METALEN ONDERSTEL (Zie Fig. 6)
2. Plaats de band in verticale stand op een vlakke ondergrond.
3. Zorg dat de draaiknop van de verticale buis (5) geplaatst is en het onderstel (3) op de verticale buis (17) bevestigd is.
4. Bevestig met de grote inbussleutel (16) de extensie van het onderstel (19) op het metalen onderstel (18) met de 6 sluitringen (2) en de 6 schroeven (21).
- PLAATSEN STUURSTANG (Zie Fig. 7)
5. Verwijder de draaiknop van de verticale buis (5) die het onderstel (3) aan de verticale buis (17) bevestigd.
6. Breng het onderstel (3) langzaam naar beneden en zet het op de vloer.
7. Sluit de kabel van de stuurstang (22) aan op de kabel van de verticale buis (23). Zie Afb. 7
8. Plaats de stuurstang (6) op de verticale buizen (17) en bevestig ze met de 2 schroeven (24) en de moeren (25), en draai ze vast met de kleine inbussleutel (15) en de sleutel (27). Controleer of hij goed bevestigd is.
9. Bevestig de stuurstang met de 2 draaiknoppen voor de stuurstang (26).
- PLAATSEN CONSOLE (Zie Fig. 8)
10. Til het bedieningspaneel (1) op om het

in de juiste stand te brengen en zet het vast met de draaiknop van het paneel (8).

BELANGRIJK:

11. Voordat u de loopband gebruikt, moet u erop letten dat het onderstel (3) goed is vastgezet met de verticale buizen (17) Draai hiertoe de vergrendelknop (7) aan. (Zie fig.3)

Gebruiksaanwijzing:

1. Steek de stekker in het stopcontact.
2. Druk op de aan/uit-schakelaar (9) aan de voorkant van het toestel.
3. De veiligheidssleutel (2) is voorzien van een clip om hem op de kleding te klemmen. Bevestig hem op de kleding die u aan heeft.
4. Breng het andere uiteinde van de veiligheidssleutel (2) op het bedieningspaneel (1) aan. Deze blijft dankzij de magneet vastzitten. De kabel tussen de clip en het bedieningspaneel moet zo lang zijn dat hij direct loskomt als u iets naar achteren loopt. Klem de veiligheidssleutel altijd op uw kleding wanneer u de loopband gebruikt.
- Nadat u de veiligheidssleutel (2) aan het bedieningspaneel (1) hebt bevestigd, verschijnt op het scherm 0.0.

5. Druk op de toets  (11) om de band te starten. Het toestel komt pas na 3 seconden in werking. Deze worden op het scherm aangegeven en waarschuwen u met akoestische signalen, zodat u zich kunt voorbereiden. Na deze 3 seconden komt de band in beweging, het toestel schakelt in de handmatige modus en de snelheid wordt op het scherm weergegeven.

- De snelheid bij aanvang is 1 km/u.
6. Druk op de toets ↑ (13) om de snelheid in stappen van 0,1 te verhogen tot 6 km/u.
 7. Druk op de toets ↓ (12) om de snelheid te verlagen.
 8. Als u op de toets MODE (10) drukt, worden de andere functie-opties op het scherm weergegeven. Bij het indrukken van de toets worden afwisselend de snelheid (SPEED), de tijd (TIJD), de afstand (DIST), de verbrande

calorieën (CAL) en de hartslag (PULSE) weergegeven. Als de indicator op de SCAN-functie staat, geeft het scherm om de 5 seconden achtereenvolgens de snelheid, tijd, afstand en calorieën weer, zonder dat u op een knop hoeft te drukken.

9. Kies, om te weten wat uw hartslag is, de optie PULSE op de console en plaats een hand op elk van de hartslagsensoren (28) tot uw hartslag op het scherm weergegeven wordt.

10. De functie-indicator (14) van de gekozen functie licht op.

Opmerking: Telkens wanneer u een programma gebruikt, worden de gegevens betreffende afgelegde afstand, tijd en calorieën opgeslagen. Druk, om de weergaven terug te zetten op nul, met stopgezette band op de knop Mode (20) gedurende 2 seconden.

11. De loopband heeft een handmatige modus (P0) en 3 automatische programma's:

- P0 - Handmatige modus
- P1 - Intervallen
- P2 - Weerstand
- P3 - Cardiotraining

Om van programma te wisselen moeten de weergaven eerst terug op nul gezet worden. Om de weergaven terug op nul te zetten houdt u de MODE-knop (10) ingedrukt tot u een geluidssignaal hoort. Zodra u het geluidssignaal hebt gehoord, laat u de MODE-toets los en drukt u kort op de MODE-toets (10) totdat u de hartslagfunctie (PULSE) hebt gevonden. Vervolgens drukt u nogmaals op de MODE-toets (10). Op de display knippert het programma waarin u zich bevindt (P0, P1, P2 of P3). Gebruik de toets ↓ (12) en de toets ↑ (13) om het gewenste programma te kiezen.

Zelfs in de automatische programma's kunt u de snelheid naar wens lager of hoger instellen. Wanneer het programma de snelheid automatisch varieert, wordt deze evenredig verhoogd en verlaagd. In het programma P1 varieert de snelheid

en wordt deze automatisch toegewezen, maar de gebruiker kan de snelheid met 1,0 km/u verhogen of verlagen.


In het programma P2 is het mogelijk om de ingestelde snelheid op ieder moment met 1,0 km/u te verlagen, maar niet om deze te verhogen.

In het programma P3 is het mogelijk om de ingestelde snelheid op ieder moment met 1 km/u te verlagen, maar niet om deze te verhogen.

Elke keer dat het programma de snelheid aanpast, hoort u 3 pieptonen zodat u zich kunt voorbereiden.

12. Wanneer u het programma hebt gekozen, kunt u voordat u begint de trainingstijd instellen. Ga naar de tijdfunctie (TIME). Deze is standaard ingesteld op 30 minuten. U kunt de duur verlagen met de toets ↓ (12) en verhogen met de toets ↑ (13). U kunt kiezen uit 30, 20 en 10 minuten.

13. Wanneer de band loopt, kunt u door

op de toets  (11) te drukken de bandsnelheid verminderen totdat deze tot stilstand komt. Om de band opnieuw te starten, drukt u de toets nogmaals in. Alle functies worden behouden zoals in de vorige oefening.

14. Als u de toets MODE (10) 3 seconden lang ingedrukt houdt, worden alle functies gereset voor een nieuwe training.

15. Trek aan de veiligheidssleutel als u de band snel wilt stoppen.

Systeem voor het uitvouwen van het toestel (zie fig. 3)

1- Verwijder de 2 draaiknoppen van de stuurstang (26).

2- Breng de stuurstang (6) omlaag tot hij in horizontale stand staat.

3- Houd het onderstel (3) met de hand vast en verwijder de draaiknop van de verticale buis (5) om het onderstel te ontgrendelen.

4- Plaats de band in verticale stand op een vlakke ondergrond.

5- Verwijder de beschermende plastic onderdelen in het metalen onderstel (18) voordat u de extensie van het onderstel (19) vastzet.

6- Laat het onderstel (3) langzaam zakken tot het op de grond ligt.

7- Draai de vergrendelknop (7) aan tot deze goed vastzit.

Systeem voor het invouwen van het toestel (zie fig. 4)

1- Draai de vergrendelknop (7) los.

2- Zet het onderstel rechtop en houd het vast.

3- Bevestig het onderstel (3) en de verticale buis (17) met de draaiknop van de verticale buis (5).

4- Verwijder de 2 draaiknoppen van de stuurstang (26).

5- Breng de stuurstang (6) omhoog totdat hij in verticale stand staat. Plaats de 2 moeren van de stuurstang (26) opnieuw, zodat u ze niet kwijt raakt.

6- Nadat de machine opgevouwen is, kunt u hem verplaatsen dankzij de wielen (16).

Productonderhoud en -reiniging

• Denk eraan eerst de aan/uit-schakelaar uit te zetten en de stekker los te koppelen alvorens het dagelijkse onderhoud te verrichten.

• Gebruik geen schuur- of oplosmiddelen voor het onderhoud van het toestel.

• Veeg het toestel af met een vochtige doek als er vuil op zit.

• Gebruik een droge doek om de stekker en het bedieningspaneel te reinigen, nooit een natte doek.

• Gebruik het toestel niet op zeer vochtige of stoffige plaatsen om storingen te vermijden. Plaats het toestel op een vlakke ondergrond om te voorkomen dat het omvalt en beschadigd raakt.

• Gebruik het toestel niet langer dan 1 uur aan een stuk, las om het uur een pauze van een uur in. De onderdelen moeten schoon worden gehouden, beide zijden van de band moeten worden gereinigd en eventuele opeenhopingen van vuil moeten worden verwijderd. Controleer vóór gebruik of uw schoenen schoon zijn. Gebruik zeep en een vochtige doek om de loopband te reinigen, gebruik geen oplosmiddelen. Veeg het zweet op armstangen en loopband na gebruik af.

• De loopband is in de fabriek gesmeerd met een antistatisch smeermiddel.

• U kunt het toestel na iedere 100 gebruiksuren smeren. Breng een speciaal smeermiddel voor banden op de onderkant van de loopband aan, licht hiertoe de band voorzichtig van het onderstel op en breng het smeermiddel aan.

Centering van de band:

BELANGRIJK: Bij een voortdurend gebruik en door de onbewust met de benen uitgeoefende druk kan de band naar een zijde buigen. Hij moet opnieuw worden bijgesteld door de schroeven van de band (29) af te stellen met de bijgeleverde inbussleutel (15), zie fig. 5: Controleer of de band gecentreerd is. Als dit niet het geval is, voer dan de nodige aanpassingen uit om de band te centreren (zie hieronder).

Elke keer dat u het apparaat gebruikt, moet u ervoor zorgen dat de band goed gecentreerd is tussen de schroeven op het onderstel. Centreer de band indien nodig. In het algemeen zijn slechts kleine aanpassingen nodig. Draai de schroef aan de kant waarnaar de band afwijkt (een halve slag rechtsom) en laat de band vervolgens ten minste 15 seconden draaien op 4 km/u. Controleer of de afwijking hersteld is en draai indien nodig nog een kwartslag of halve slag aan totdat de band gecentreerd is.

OPMERKING: Controleer de afstand tussen de band en de rand van het apparaat. In het geval de band zoals in figuur 9 zit, centreer hem dan.

Om de band te spannen:

1. Indien de loopband (4) tijdens het gebruik niet vlak loopt, dan moet de band worden gespannen. Schakel de band uit en trek de stekker uit het stopcontact. Draai met de kleine inbussleutel (15) eerst de linker- en daarna de rechterschroeven 1/4 slag rechtsom. Schakel de hoofdschakelaar opnieuw in en stel de band in werking op een snelheid van 6 km/u. Gebruik de band en wandel erop. Indien hij nog niet vlak loopt, herhaal dan het proces totdat hij goed loopt.

- Als het toestel voor langere tijd niet wordt gebruikt, bewaar het dan op een schone, droge plaats en vermijd blootstelling aan stof.

- Raak de aan/uit-schakelaar of het netsnoer niet aan met natte handen.

- Trek niet aan het netsnoer om de stekker van het toestel uit het stopcontact te halen. Zet geen zware voorwerpen op het snoer en wikkel het niet om het toestel heen, want anders kan het snoer breken. Gebruik het toestel niet als de kabel of de stekker niet goed aansluiten.

OPMERKING: De band mag niet te strak zijn aangespannen, omdat hij anders door het apparaat in werking kan worden beschadigd en lawaai kan gaan maken.

Technische gegevens:

Spanning: 220-240V

Frequentie: 50/60 Hz

Vermogen: 500 W

Dit product voldoet aan de Norma

BS EN ISO 20957-1: 2013

BS EN 957-6:2010+A1:2014

Afmetingen opgevouwen

1358 mm x 610 mm x 1175 mm (l x b x h)

Afmetingen opgevouwen 535 mm x 610

mm x 1435 mm (l x b x h)

Afmetingen verpakking

1360mm x 280mm x 650mm (l x b x h)

Brutogewicht 27,5 kg

Nettogewicht 24,5 kg

Product van klasse HC, voor huishoudelijk gebruik

Gymform Slim Fold Treadmill
(VDPGYCIND0124)



AFVOEREN

Het symbool van een container op wielen met een kruis erdoor geeft aan dat u zich dient te informeren over hoe dit soort producten volgens de plaatselijke voorschriften moet worden afgevoerd. Voer dit product niet met het gebruikelijke huisvuil af. U dient dit volgens de desbetreffende plaatselijke voorschriften te doen. Elektrische en elektronische producten

bevatten gevaarlijke stoffen die een zeer schadelijk effect op het milieu of de volksgezondheid hebben en dienen op een passende wijze gerecycleerd te worden.

Kwaliteitsgarantie

Voor het product geldt een garantie tegen fabrieksfouten gedurende een periode die in de wetgeving van het betreffende land is vastgelegd.

Onder de garantie valt niet de schade die het gevolg is van verkeerd of nalatig gebruik, abnormale slijtage, ongelukken of onjuiste behandeling.

Made in China

GYM
form®

SLIM FOLD TREADMILL



Industex, s.l.
Av. P. Catalanes 34, 8ª planta
08950 Espugues de Llobregat
Barcelona - Spain
e-mail: industex@industex.com
www.industex.com
(+34) 93 254 71 00



17 rue de la Garenne
CS 90021 St-OUEN L'AUMONE
95046 CERGY PONTOISE CEDEX
FRANCE
venteo@venteo.fr
www.venteo.fr
(+33) 1 34258551



ISL GmbH
Edewechter Landstrasse 55
D 26131 Oldenburg Germany
www.isl-de.com
+49 (0) 441 95 07 08-0



PO Box 202, Spit Junction NSW
2088, Australia

Best Direct (International) Benelux B.V.
Hogebrinkerweg 19B
3871 KM Hoewelaken
The Netherlands
www.bestdirect.nl

Best Direct International Ltd,
Asiakaspalvelu - Suomi:
029 193 0300 www.bestdirect.fi
Kundtjänst - Sverige:
077 033 0300 www.bestdirect.se



ISL ITALY S.r.l.
P.IVA: 06919170966
Via Donizetti 3
20122 Milano- Italia
www.isl-italy.com
industex@industex.com

Distributed in UK by Best Direct (International) Ltd
SUITES 17 & 18, RIVERSIDE HOUSE
LOWER SOUTHEND ROAD
WICKFORD, ESSEX
SS11 8BB UK