



VONROC®

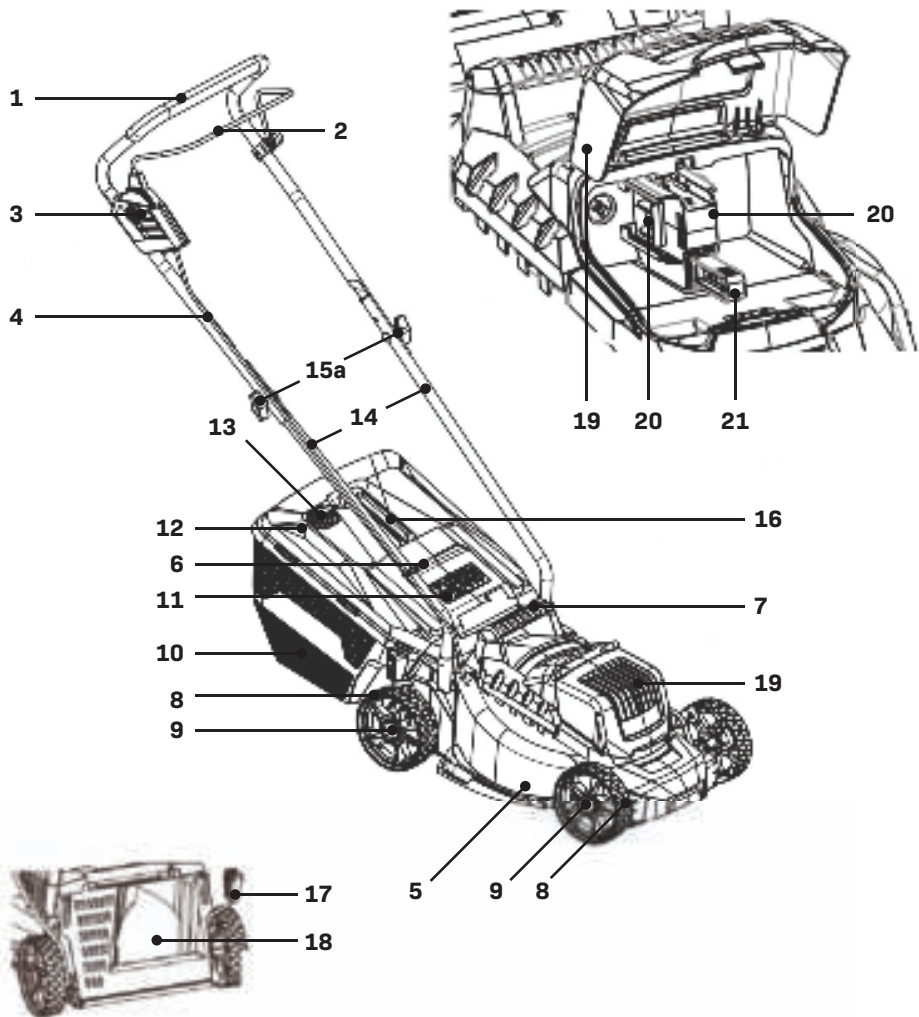
BUILD YOUR FUTURE

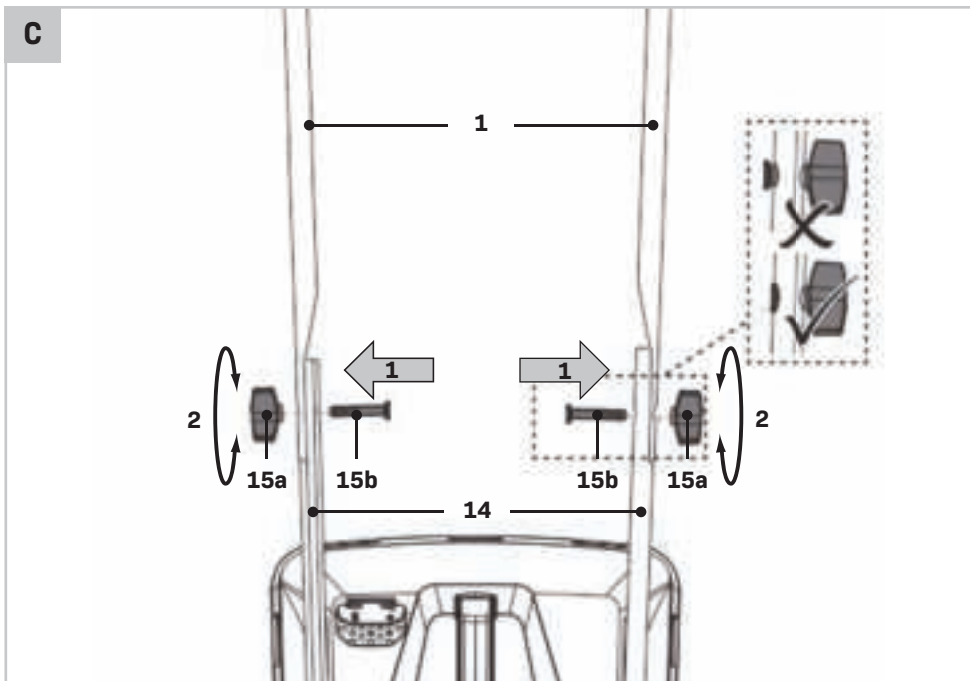
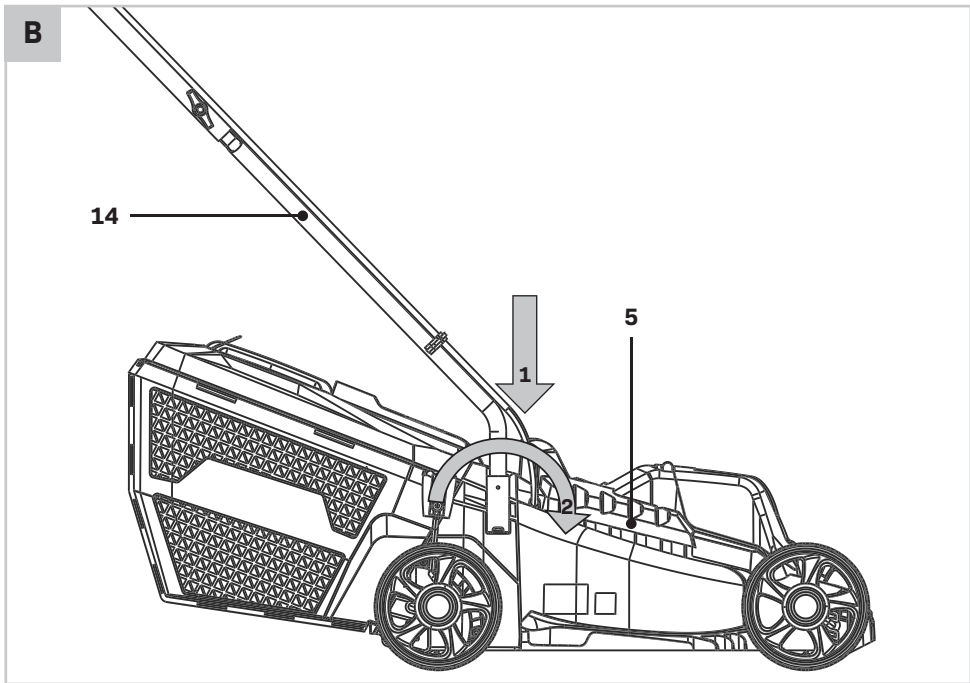
LAWNMOWER LM504DC / S2_LM504DC S4_LM504DC

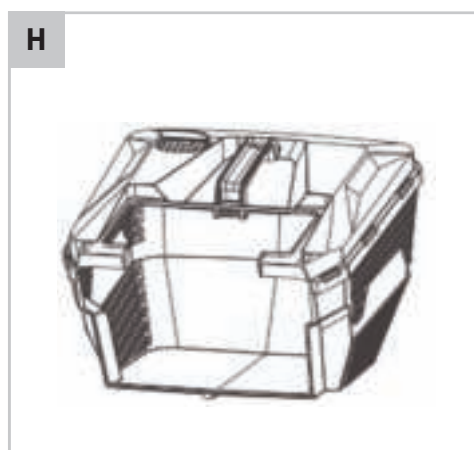
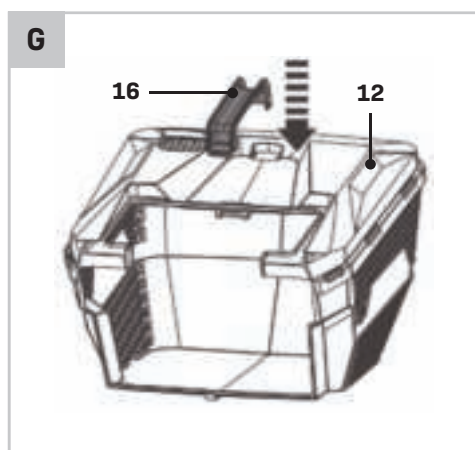
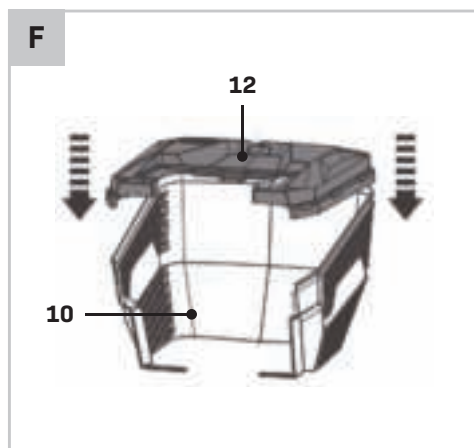
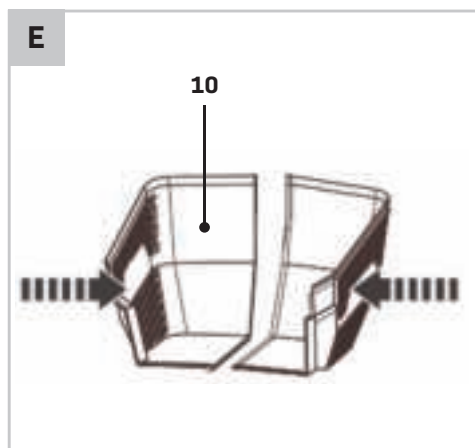
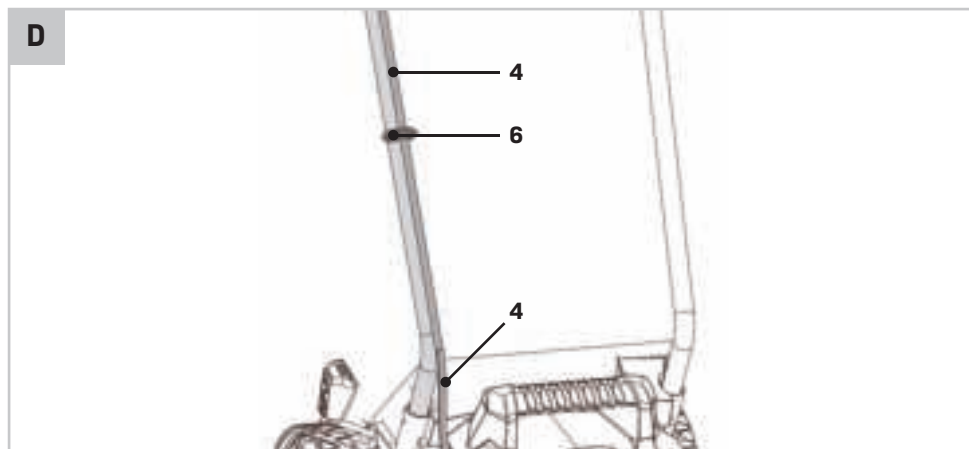


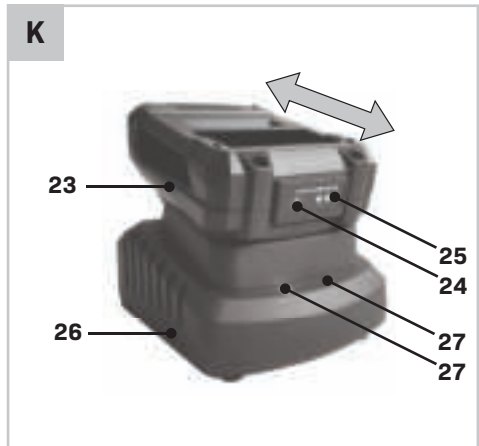
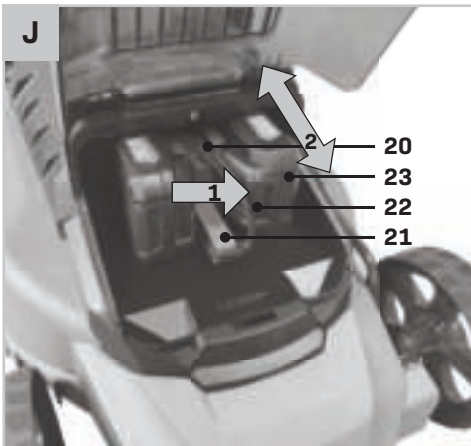
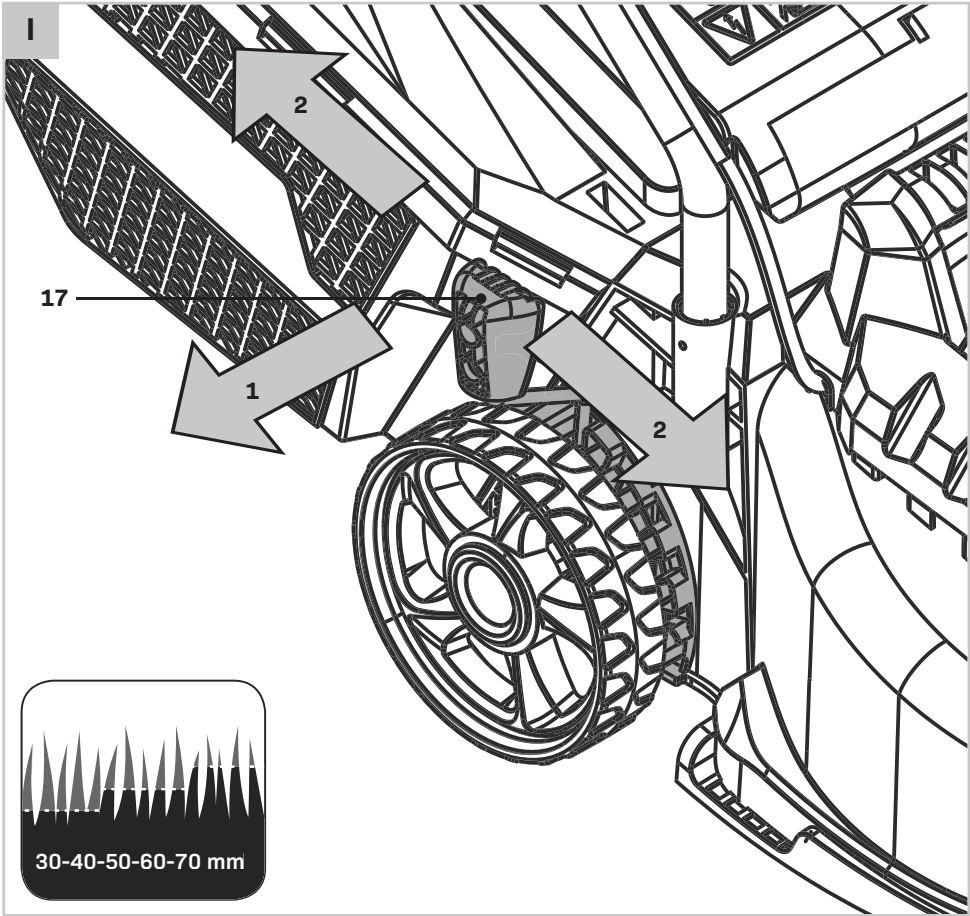
EN	Original Instructions	07
DE	Übersetzung Der Originalbetriebsanleitung	17
NL	Vertaling van de oorspronkelijke gebruiksaanwijzing	29
FR	Traduction de la notice originale	41
ES	Traducción del manual original	53
IT	Traduzione delle istruzioni originali	66
SV	Översättning av bruksanvisning i original	77
DA	Oversættelse af den originale brugsanvisning	88
PL	Tłumaczenie instrukcji oryginalnej	98
RO	Traducere a instrucțiunilor originale	110

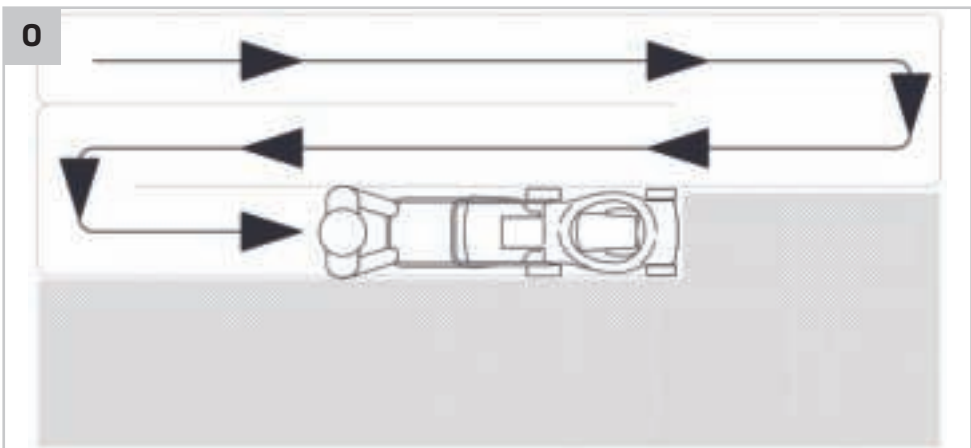
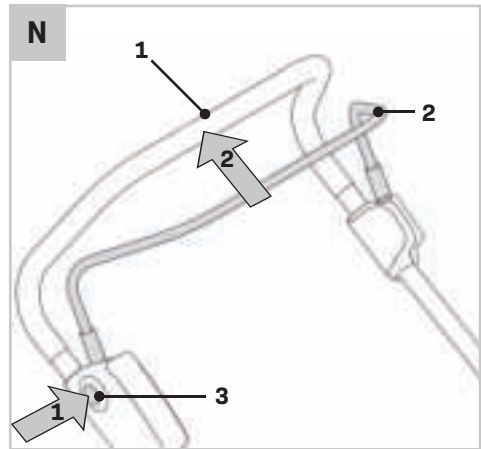
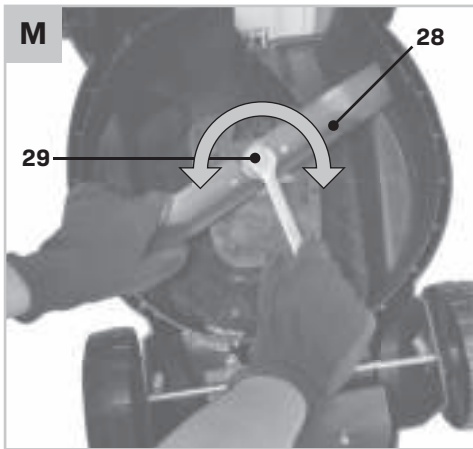
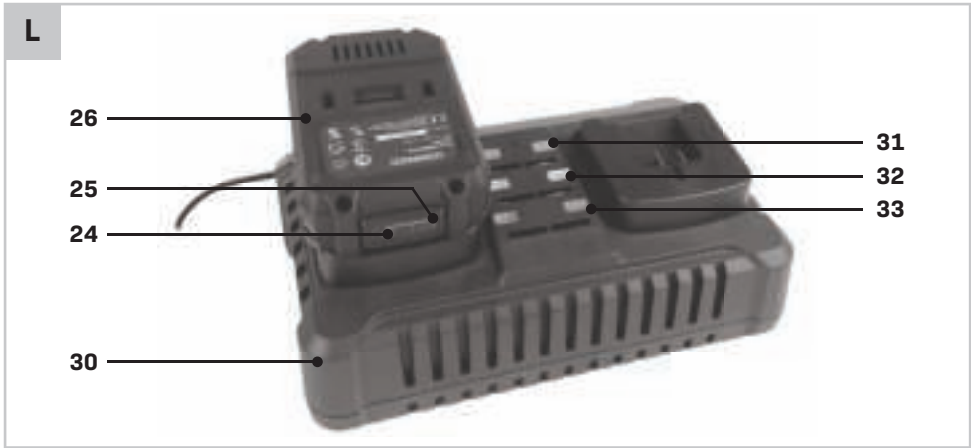
A
























1. SAFETY INSTRUCTIONS


 **Read the enclosed safety warnings, the additional safety warnings and the instructions.** Failure to follow the safety warnings and the instructions may result in electric shock, fire and/or serious injury. **Save the safety warnings and the instructions for future reference.**


The following symbols are used in the user manual or on the product:

-  Read the instructions!
-  Risk of personal injury.
-  Risk of electric shock.
-  Wear hearing protection.
-  Wear eye protection.
-  **Caution:** Do not touch rotating blades. Sharp blade(s). Beware of severing toes or fingers. Keep bystanders, especially children and pets, at a distance greater than 10m.
-  The lawn mower shall not be operated without either the entire grass catcher or the guard in place.
-  Do not use in the rain or leave the mower outdoors while it is raining.
-  Switch off and remove safety key (isolator switch) before adjusting, cleaning and before leaving the product unattended for any period of time.
-  Use only batteries which are charged to the same level. Never combine full and half-full batteries. Always charge the two batteries simultaneously. The equipment's operating time depends on the battery with the lower charge level. The two batteries must always be fully charged before use. Close the battery cover before use.


 Wait until all machine components have completely stopped before touching them. The blades continue to rotate after the machine is switched off, a rotating blade can cause injury.


 Make sure that bystanders are not injured by foreign objects being thrown away.


 **Warning:** Keep a safe distance to the product when operating.

 Carefully check the area where the tool is to be used for wildlife and pets. Wildlife and pets may be injured while the machine is in operation. Thoroughly check the working area and remove any stones, sticks, wires, bones and foreign objects. When using the machine, ensure that no wildlife, pets or small tree stumps are hidden in the dense grass.


 Only use the battery charger indoors.

 Conforms to all relevant European Directives.

 Do not dispose of the product in unsuitable containers.

 The guaranteed sound power level LWA = 96 dB(A)

GENERAL POWER TOOL SAFETY WARNINGS

 **WARNING! Read all safety warnings and all instructions.** Failure to follow the warnings and instructions may result in electric shock, fire and/or serious injury.

Save all warnings and instructions for future reference.

The term "power tool" in the warnings refers to your mains-operated (corded) power tool or battery-operated (cordless) power tool.

1) Work area safety

- a) **Keep the work area clean and well lit.** Cluttered or dark areas invite accidents.
- b) **Do not operate power tools in explosive atmospheres, such as in the presence of flammable liquids, gases or dust.** Power tools create

sparks which may ignite the dust or fumes.

- c) **Keep children and bystanders away while operating a power tool.** Distractions can cause you to lose control.

2) Electrical safety

- a) **Power tool plugs must match the outlet. Never modify the plug in any way. Do not use any adapter plugs with earthed (grounded) power tools.** Unmodified plugs and matching outlets will reduce risk of electric shock.
- b) **Avoid body contact with earthed or grounded surfaces, such as pipes, radiators, ranges and refrigerators.** There is an increased risk of electric shock if your body is earthed or grounded.
- c) **Do not expose power tools to rain or wet conditions.** Water entering a power tool will increase the risk of electric shock.
- d) **Do not abuse the cord. Never use the cord for carrying, pulling or unplugging the power tool. Keep cord away from heat, oil, sharp edges or moving parts.** Damaged or entangled cords increase the risk of electric shock.
- e) **When operating a power tool outdoors, use an extension cord suitable for outdoor use.** Use of a cord suitable for outdoor use reduces the risk of electric shock.
- f) **If operating a power tool in a damp location is unavoidable, use a residual current device (RCD) protected supply.** Use of an RCD reduces the risk of electric shock.

3) Personal safety

- a) **Stay alert, watch what you are doing and use common sense when operating a power tool. Do not use a power tool while you are tired or under the influence of drugs, alcohol or medication.** A moment of inattention while operating power tools may result in serious personal injury.
- b) **Use personal protective equipment. Always wear eye protection.** Protective equipment such as dust mask, non-skid safety shoes, hard hat, or hearing protection used for appropriate conditions will reduce personal injuries.
- c) **Prevent unintentional starting. Ensure the switch is in the off-position before connecting to power source and/or battery pack, picking up or carrying the tool.** Carrying power tools with your finger on the switch or energising power tools that have the switch on invites accidents.
- d) **Remove any adjusting key or wrench before**

turning the power tool on. A wrench or a key left attached to a rotating part of the power tool may result in personal injury.

- e) **Do not overreach. Keep proper footing and balance at all times.** This enables better control of the power tool in unexpected situations.
- f) **Dress properly. Do not wear loose clothing or jewellery. Keep your hair, clothing and gloves away from moving parts.** Loose clothes, jewellery or long hair can be caught in moving parts.
- g) **If devices are provided for the connection of dust extraction and collection facilities, ensure these are connected and properly used.** Use of dust collection can reduce dust related hazards.
- h) **Do not let familiarity gained from frequent use of tools allow you to become complacent and ignore tool safety principles.** A careless action can cause severe injury within a fraction of a second.

4) Power tool use and care

- a) **Do not force the power tool. Use the correct power tool for your application.** The correct power tool will do the job better and safer at the rate for which it was designed.
- b) **Do not use the power tool if the switch does not turn it on and off.** Any power tool that cannot be controlled with the switch is dangerous and must be repaired.
- c) **Disconnect the plug from the power source and/or the battery pack from the power tool before making any adjustments, changing accessories, or storing power tools.** Such preventive safety measures reduce the risk of starting the power tool accidentally.
- d) **Store idle power tools out of the reach of children and do not allow persons unfamiliar with the power tool or these instructions to operate the power tool.** Power tools are dangerous in the hands of untrained users.
- e) **Maintain power tools. Check for misalignment or binding of moving parts, breakage of parts and any other condition that may affect the power tool's operation. If damaged, have the power tool repaired before use.** Many accidents are caused by poorly maintained power tools.
- f) **Keep cutting tools sharp and clean.** Properly maintained cutting tools with sharp cutting edges are less likely to bind and are easier to control.
- g) **Use the power tool, accessories and tool bits etc. in accordance with these instructions, taking into account the working conditions and the**

work to be performed. Use of the power tool for operations different from those intended could result in a hazardous situation.

- h) **Keep handles and grasping surfaces dry, clean and free from oil and grease.** Slippery handles and grasping surfaces do not allow for safe handling and control of the tool in unexpected situations.
- 5) Battery tool use and care**
- a) **Recharge only with the charger specified by the manufacturer.** A charger that is suitable for one type of battery pack may create a risk of fire when used with another battery pack.
- b) **Use power tools only with specifically designated battery packs.** Use of any other battery packs may create a risk of injury and fire.
- c) **When battery pack is not in use, keep it away from other metal objects, like paper clips, coins, keys, nails, screws or other small metal objects that can make a connection from one terminal to another.** Shorting the battery terminals together may cause burns or a fire.
- d) **Under abusive conditions, liquid may be ejected from the battery; avoid contact. If contact accidentally occurs, flush with water. If liquid contacts eyes, additionally seek medical help.** Liquid ejected from the battery may cause irritation or burns.
- e) **Do not use a battery pack or tool that is damaged or modified.** Damaged or modified batteries may exhibit unpredictable behaviour resulting in fire, explosion or risk of injury.
- f) **Do not expose a battery pack or tool to fire or excessive temperature.** Exposure to fire or temperature above 130 °C may cause explosion. NOTE The temperature „130 °C“ can be replaced by the temperature „265 °F“.
- g) **Follow all charging instructions and do not charge the battery pack or tool outside the temperature range specified in the instructions.** Charging improperly or at temperatures outside the specified range may damage the battery and increase the risk of fire.
- 6) Service**
- a) **Have your power tool serviced by a qualified repair person using only identical replacement parts.** This will ensure that the safety of the power tool is maintained.
- b) **Never service damaged battery packs.** Service

of battery packs should only be performed by the manufacturer or authorized service providers.

ADDITIONAL SAFETY INSTRUCTION FOR BATTERY LAWN MOWERS

- Never allow children or people unfamiliar with these instructions to use the product. Local regulations may restrict the age of the operator. When not in use store the product out of reach of children.
- Never allow children, persons with physical, sensory or mental limitations or a lack of experience and/or knowledge and/or people unfamiliar with these instructions to use the product. Local regulations may re-strict the age of the operator.
- Children should be supervised to ensure that they do not play with the product.
- Never work while people, especially children, or pets are nearby.
- The user is responsible for accidents or hazards occurring to other people or their property.
- Do not wear open rubber shoes or sandals when using the product. Always wear sturdy shoes and long trousers. Do not use barefoot.
- Thoroughly inspect the area where the machine is to be used and re-move all stones, sticks, wires, bones and other foreign objects.
- Before using, always visually inspect to see that the blades, blade bolts and cutter assembly are not worn or damaged. Replace worn or damaged blades and bolts in sets to preserve balance.
- Mow only in daylight or in good artificial light.
- Avoid mowing in bad weather conditions especially when there is a risk of lightning.
- Avoid operating the machine in wet grass, where feasible.
- Walk, never run.
- Never operate the machine with defective guards or shields, or without safety devices, for example deflectors and/or grass catchers in place.
- We would advise you to wear ear protection for your own convenience.
- Never operate the product when you are tired, ill or under the influence of alcohol, drugs or medicine.
- Working on banks can be dangerous:
 - Do not mow on excessively steep slopes.
 - Always be sure of your footing on slopes or wet grass.
 - Mow across the face of slopes never up and down.

- Exercise extreme caution when changing direction on slopes.
- Use extreme caution when stepping back or pulling the machine towards you.
- Never mow by pulling the mower towards you.
- Wait until the blades stop if the machine has to be tilted for transportation when crossing surfaces other than grass and when transporting the machine to and from the area to be mowed.
- Do not tilt the machine when starting or switching on the motor.
- Switch on the motor according to the instructions with feet well away from rotating parts.
- Do not put hands or feet near or under rotating parts.
- Always stand clear of the discharge zone when operating the machine.
- Never pick up or carry the machine while the motor is running.
- When storing, make sure that all 4 wheels of the garden tool stand on the ground/floor.
- Only lift the garden tool with the carrying handle. Use the carrying handle with care.
- Do not modify the machine. Unauthorized modifications can impair the safety of your machine, lead to increased noise and vibrations, and poor performance.
- Remove the safety key (isolator switch):
 - Whenever you leave the machine.
 - Before clearing a blockage.
 - Before checking, cleaning or working on the machine.
 - After striking a foreign object. Inspect the machine for damage and change the blade as necessary.
 - If the machine starts to vibrate abnormally (check immediately).

SAFETY WARNINGS FOR BATTERY

- a) **Do not open the battery.** Danger of short-circuiting.
- b) **Protect the battery against heat, e. g., against continuous intense sunlight, fire, water, and moisture.** Danger of explosion.
- c) **In case of damage and improper use of the battery, vapours may be emitted. Ventilate the area and seek medical help in case of complaints.** The vapours can irritate the respiratory system.
- d) **Use the battery only in conjunction with your Vonroc product.** This measure alone protects the battery against dangerous overload.

- e) **The battery can be damaged by pointed objects such as nails or screwdrivers or by force applied externally.** An internal short circuit can occur and the battery can burn, smoke, explode or overheat.

SAFETY WARNINGS FOR CHARGER

Intended use

Charge only CD801AA and CD803AA type rechargeable Battery packs with the charger. Other types of batteries may burst causing personal injury and damage.

- a) **The appliance is not to be used by persons (including children) with reduced physical, sensory or mental capabilities, or lack of experience and knowledge, unless they have been given supervision or instruction.**
- b) **Children being supervised not to play with the appliance.**
- c) **Do not recharging non-rechargeable batteries!**
- d) **During charging, batteries must be placed in the well ventilated area!**



This appliance can be used by children aged from 8 years and above and persons with reduced physical, sensory or mental capabilities or lack of experience and knowledge if they have been given supervision or instruction concerning use of the appliance in a safe way and understand the hazards involved. Children shall not play with the appliance. Cleaning and user maintenance shall not be made by children without supervision.

Electrical safety



Always check that the voltage of the power supply corresponds to the voltage on the rating plate.

- Do not use the machine if the mains cable or the mains plug is damaged.
- Only use extension cables that are suitable for the power rating of the machine with a minimum thickness of 1.5 mm². If you use an extension cable reel, always fully unroll the cable.

2. MACHINE INFORMATION

Intended use

This product is designed for lawnmowing in domestic environments. The lawn mower is intended for private gardens at home. The lawn mower may not be used to trim bushes, hedges or shrubs, to cut scaling vegetation, planted roofs, or balcony-grown grass, to clean (vacuum) dirt and debris off walkways, or to chop up tree or hedge clippings. Moreover, the lawn mower may not be used as a power cultivator to level out high areas such as molehills. The equipment is to be used only for its prescribed purpose. Any other use is deemed to be a case of misuse.

TECHNICAL SPECIFICATIONS



This manual has been drawn up for different sets / article numbers. Check the corresponding article number in below specifications table for the correct composition and contents of your set.

Model No.	Batteries included	Chargers included
LM504DC	-	-
S2_LM504DC	2 x CD801AA	2 x CD802AA
S4_LM504DC	2 x CD803AA	2 x CD802AA or 1 x CD820AA

MACHINE	
Model No.	LM504DC
Voltage	40V (2 x 20V)
No load speed	3400/min
Cutting width	330 mm
Cutting height	30/40/50/60/70mm
Grass box capacity	30 L
Weight	8.5 kg
Protection level	IPX1
Sound pressure level (L _{pa})	71.4dB(A), K=2.35dB(A)
Sound power level (L _{wa})	91.4dB(A), K=2.35dB(A)
Vibration value	<2.5m/s ² , K=1.5m/s ²

BATTERY	
Model No.	CD801AA
Battery Type	Lithium-Ion
Voltage	20V
Capacity	2.0 Ah
Recommended charger	CD802AA, CD820AA
Weight	0.3 kg

Model No.	CD803AA
Battery Type	Lithium-Ion
Voltage	20V
Capacity	4.0 Ah
Recommended charger	CD802AA, CD820AA
Weight	0.65 kg

CHARGER	
Model No.	CD802AA
Charger input	220-240V, 50Hz 0.4A
Charger output	21V 2.5A
Charging time 2Ah battery	60 minutes
Charging time 4Ah battery	120 minutes
Recommended batteries	CD801AA, CD803AA
Weight	0.36 kg

Model No.	CD820AA
Charger input	220-240V, 50-60Hz, 200W
Charger output	21V 2.3A, <3.8A
Charging time 2Ah battery	45 minutes
Charging time 4Ah battery	85 minutes
Recommended batteries	CD801AA, CD803AA
Weight	0.81 kg

Only use the following batteries of the VONROC VPOWER 20V battery platform. Using any other batteries could cause serious injury or damage the tool.

CD801AA 20V, 2Ah Lithium-Ion
 CD803AA 20V, 4Ah Lithium-Ion

The following chargers can be used to charge these batteries.

CD802AA	Quick charger
CD820AA	Dual quick charger

The batteries of the VONROC VPOWER 20V battery platform are interchangeable with all the VONROC VPOWER 20V battery platform tools.

Vibration level

The vibration emission level stated in this instruction manual has been measured in accordance with a standardized test given in EN60335; it may be used to compare one tool with another and as a preliminary assessment of exposure to vibration when using the tool for the applications mentioned.

- Using the tool for different applications, or with different or poorly maintained accessories, may significantly increase the exposure level.
- The times when the tool is switched off or when it is running but not actually doing the job, may significantly reduce the exposure level.

Protect yourself against the effects of vibration by maintaining the tool and its accessories, keeping your hands warm, and organizing your work patterns.

DESCRIPTION

The numbers in the text refer to the diagrams on pages 2-6.

1. Upper handle
2. On/off switch
3. Safety button
4. Power cable
5. Machine
6. Cable holder
7. Carrying handle
8. Wheel
9. Wheel cover
10. Grass box basket
11. Grass box lid
12. Grass box cover
13. Grass level indicator
14. Lower handle
- 15A. Handle adjustment knob
- 15B. Bolt for knob
16. Grass box carrying handle
17. Height adjustment lever
18. Grass outlet
19. Battery compartment cover
20. Battery bay

21. Safety key (isolator switch)
22. Battery unlock button
23. Battery
24. Battery LED indicators button
25. Battery LED indicators
26. Charger
27. Charger LED indicators
28. Blade
29. Blade bolt
30. Charger
31. Green LED indicators
32. Amber LED indicators
33. Red LED indicators

3. ASSEMBLY



Before any work on the power tool, remove the battery.



The battery must be charged before first use.



Warning: Use only batteries which are charged to the same level. Never combine full and half-full batteries. Always charge the two batteries simultaneously. The equipment's operating time depends on the battery with the lower charge level. The two batteries must always be fully charged before use.

Inserting the battery into the machine (Fig. A, J)



Ensure that the exterior of the battery is clean and dry before connecting to the charger or machine. Close the battery cover before use.

1. Open the battery compartment cover (19).
2. Insert the battery (23) into the battery bay (20) as shown in Fig. J.
3. Push the battery further forward until it clicks into place.
4. Repeat for the other battery (23).
5. Close the battery compartment cover (19).

Removing the battery from the machine (Fig. A, J)

1. Open the battery compartment cover (19).
2. Pull the battery (23) out of the battery bay (20) as shown in Fig. J.
3. Repeat for the other battery (23).

Checking the battery charging status (Fig. K)

- To check the battery charge status, push the button (24) on battery shortly.
- The battery has 3 lights indicating the charge level, the more lights that burn, the more charge the battery has left.
- When the lights are not burning it means the battery is empty and must be charged immediately.

Charging the battery with the CD802AA charger (Fig. K)

1. Take the battery (23) from the machine.
2. Turn the battery (23) to upside down position and slide it onto the charger (26) as shown in Fig. K.
3. Push the battery until it is fully pushed into the slot.
4. Plug the charger plug into an electrical outlet and wait for a while. The LED indicators on the charger (27) will lighten up and show the charger status.

The charger has 2 LED indicators (27) which indicate the status of the charging process:

Red LED Status	Green LED status	Charger status
Off	Off	No power
Off	On	Standby mode: - No battery is inserted or, - Battery inserted but charging has finished
On	Off	Battery charging in progress

- Fully charging the 2Ah battery may take up to 60 minutes.
- Fully charging the 4Ah battery may take up to 120 minutes.

After the battery is fully charged remove the charger plug from the outlet and remove the battery from the charger.



When the machine is not being used over a longer period of time it is best to store the battery in charged condition.

Charging the battery with the CD820AA dual charger (Fig. L)

1. Take the battery (26) from the machine.
2. Turn the battery (26) to upside down position and slide it onto the charger (30) as shown in Fig. L.
3. Push the battery until it is fully pushed into the slot.
4. Plug the charger plug into an electrical outlet and wait for a while. The LED indicators on the charger (31, 32, 33) will lighten up and show the charger status.

The charger has 6 LED indicators (31, 32, 33) which indicate the status of the charging process:

Item	Conditions	LED colour		
		Red	Amber	Green
Stand by	Power on	On	On	On
Charging	Started charging (10-19V DC±0.5V DC)	Blink	Off	Off
	Halfway charging (19-20V DC±0.5V DC)	On	Blink	Off
	Finished charging (20-21V DC±0.5V DC)	On	On	Blink
Fully charged	Trickle charging ≤300±150mA	On	On	On
	Stop charging			
High temperature	High-temperature protection of the battery works	On	On	On

- Fully charging the 2Ah battery may take up to 45 minutes.
- Fully charging the 4Ah battery may take up to 85 minutes.

After the battery is fully charged remove the charger plug from the outlet and remove the battery from the charger.



When the machine is not being used over a longer period of time it is best to store the battery in charged condition.

Assembling the lower handle (Fig. A, B)

1. Insert the lower handle (14) into the intended hole of the lawn mower body, as shown on figure B. Ensure the hole in the lower handle (14) aligns with the hole in the lawn mower body.
2. Insert the screw in the hole and tighten by turning clockwise, as shown on figure B.
3. Repeat these steps for the other lower handle (14).

Assembling the upper handle (Fig. A, C, D)

1. Attach the upper handle (1) to the lower handle (14), using the supplied bolts (15B) and handle knobs (15A) as shown on figure C. Make sure the safety switch (3) assembly is on the right side when standing behind the lawn mower.
2. Fixate the cable to the handle by using the cable holder (6), as shown on figure D.

Note: When handle knobs (15A) are loosened, the upper handle (1) can be folded down for storing the lawn mower. Ensure that the power cable is not caught.

Assembling and mounting the grass box**(Fig. A, E, F, G, H)**

The lawn mower shall not be operated without either the entire grass catcher or the guard in place.

It is possible to use the lawn mower with or without grass box. Remember though that when cutting without the grass box, the grass box lid (11) must be lowered. Do not operate the mower with outlet lid lifted.

1. Join the two halves of the grass box basket (10), as shown on figure E.
2. Mount the grass box cover (12) onto the assembled grass box basket (10), as shown on figure F.
3. Mount the Grass box carrying handle (16) onto the grass box cover (12), as shown on figure G.
4. Figure H shows a correctly assembled grass box.
5. Lift the grass box lid (11) and attach the assembled grass box onto the lawn mower. Ensure the indents in the grass box align properly with the holders of the lawn mower body.

Note: the grass box is fitted with a grass level indicator (13), which shows the amount of mowed grass. As long as the grass box is not full, the indi-

cator will be opened. When the grass box is full, the indicator will close. In that case immediately stop mowing and empty the grass box. This indicator is only a rough guideline, of which the functionality depends on the condition inside the grass basket.

Replacing the cutting blade (Fig. A, M)

Before any work on the power tool, remove the battery.



When replacing the cutting blade, wear protective gloves. Danger of injury when touching the cutting blade.



Only use blades that are recommended by the manufacturer.

1. Remove the grass box.
2. Turn the mower onto its side.
3. Firmly hold cutting blade using protective gloves.
4. Turn the cutting blade fixing screw counter-clockwise to loosen it, as shown on figure M.
5. Replace or sharpen the cutting blade.
6. Install the cutting blade, use the above procedure in reversed order (holes in the cutting blade must be seated on the spindle pins).
7. It is best to entrust sharpening or replacement of cutting blade to a qualified person. Only original parts should be used. All defects should be repaired by service workshop authorized by the manufacturer.

4. OPERATION

Before using, always visually inspect to see that the blades, blade bolts and cutter assembly are not worn or damaged. Please remove the battery from the tool. Replace worn or damaged blades and bolts in sets to preserve balance.



If the machine starts to vibrate abnormally (check immediately):

- inspect for damage,
- replace or repair any damaged parts,
- check for and tighten any loose parts.



Immediately switch off the machine in the following cases:

- whenever you leave the machine,
- before clearing blockages or unclogging chute,
- before checking, cleaning or working on the machine,
- after striking a foreign object. Inspect the machine for damage and make repairs before restarting and operating the machine;



Be careful during adjustment of the machine to prevent entrapment of the fingers between moving blades and fixed parts of the machine.

Adjusting the cutting height (Fig. A, I)



Switch off the equipment, wait for the blade to stop and remove the battery. There is a risk of injury.

Depending on the preferred cutting height, you can adjust the height level in one of five positions. Adjust the cutting height according to the needs of your lawn. The cutting height depends on the kind of lawn and its actual height. When mowing high grass, start with the maximum cutting height and make a second cut with a lower cutting height. A higher cut height should always be selected for the first cut of the season.

1. Pull the height adjustment lever (17) outwards (away from the machine housing) as shown on figure I.
2. Whilst holding the height adjustment lever (17) in outwards position, push it forward or backward to the desired cutting height.
3. Release the lever (17) and ensure it engaged in the slot properly.

NOTE: There are 5 cutting height levels available: 30mm, 40mm, 50mm, 60mm, 70mm.

Switching the machine on/off (Fig. A, N)



Before starting, put the product on a flat surface free of high grass.



Clean the underside of the deck before turning on the machine.



Keep your feet well away from the cutting blade.



Do not tilt the product when starting the motor.

1. Ensure the safety key (21) is inserted in the designated spot underneath the battery cover (19).
2. To start the machine, press and hold the safety button (3) and press the on/off switch (2). Whilst holding the on/off switch (2), you can release pressure on the safety button (3).
3. To stop the machine, release the on/off switch (2) and wait until cutting blade stops rotating.

Operating the mower (fig. A, O)



Always ensure that a safe distance (provided by the length of the long handles) is maintained between the user and the mower housing.



Be especially careful when mowing and changing direction on slopes and inclines. Maintain a solid footing and wear sturdy, non-slip footwear and long trousers. Always mow along the incline (not up and down). For safety reasons, the lawn mower may not be used to mow inclines whose gradient exceeds 15 degrees.



Use special caution when backing up and pulling the lawn mower. Tripping hazard!

Before use

- Make sure that the lawn is clear of stones, sticks, wire or other objects that could damage the product or its product.
- Do not cut wet grass because it tends to stick to the underbody of the product, preventing the proper discharge of grass clippings, and it could also cause you to slip and fall.
- Never cut off more than one-third of the total length of the grass for a healthy lawn. In the autumn, lawns should only be cut as long as there is growth.
- Slowly push the product forward, do not force.
- Mow in slight overlapping rows. The most effective way all the lawn is cut without missing any spots, as shown on figure O.
- Circle around flower beds. When reaching a

flower bed in the middle of the lawn, cut a row or two around the circumference of the bed.

- Pay special attention when changing direction.
- Always mow along inclines (not up and down). You can prevent the lawn mower from slipping down by holding a position at an angle upwards.
- Select the cutting height according to the length of the grass. Make several passes to prevent that too much grass is cut at one time.
- Empty the grass box regularly.

Note: The operating time of the rechargeable batteries and therefore the area in square meters that can be covered with a single battery charge is largely dependent on the state of the grass (e.g. density, moisture, height, cutting height, etc.) and the mowing speed (walking speed). To adjust the area coverage to your individual requirements, it is recommended that you mow the lawn more often, with a higher cutting height and at an appropriate speed. Frequently turning the equipment on and off while mowing will also reduce the amount of area that you can cover. If the operating time of the rechargeable batteries (area coverage) is still unsatisfactory in spite of the above measures, you can remedy the problem by using rechargeable batteries with a larger capacity (Ah).

After use

1. After use, switch the product off, disconnect the safety key (21).
2. Remove the battery packs (23).
3. Check, clean and store the product as described in chapter 'maintenance'.

5. MAINTENANCE



Switch off the equipment, wait for the blade to stop and remove the battery. There is a risk of injury.

Cleaning

Your mower has been designed to operate over a long period of time with minimum of maintenance. Continuous satisfactory operation depends upon proper mower care and regular cleaning.

- Keep the mower clean and dry.
- Regularly use a blunt scraper to remove grass and dirt from the mower
- To clean the mower, use only mild soap and a

damp cloth. Never let any liquid get inside the tool and never immerse any part of the tool into liquid. Do not use any abrasive or solvent-based cleaner.

Stop the blade(s) if the machine has to be tilted for transportation when crossing surfaces other than grass, and when transporting the machine to and from the area to be used. Do not start the machine when standing in front of the discharge opening.

Storage

Always allow the machine to cool down before storing. Replace worn or damaged parts for safety. Use only genuine replacement parts and accessories.

1. Switch the product off, disconnect the safety key (21) and remove the battery pack (23) before storage.
2. Clean the product as described above.
3. Store the product and its accessories in a dark, dry, frost-free, well-ventilated place. The ideal storage temperature is between 10 °C and 30 °C.
4. Always store the product in a place that is inaccessible to children.
5. We recommend using the original package for storage or covering the product with a suitable cloth or enclosure to protect it against dust.

Transportation

1. Switch the product off, disconnect the safety key (21) and remove the battery pack (23) before transporting it anywhere.
2. Always transport the product by its transport handle (7).
3. Protect the product from any heavy impact or strong vibrations which may occur during transportation in vehicles.
4. Secure the product to prevent it from slipping or falling over, damage and injury.

ENVIRONMENT



Faulty and/or discarded electrical or electronic apparatus have to be collected at the appropriate recycling locations.

Only for EC countries

Do not dispose of power tools into domestic waste. According to the European Guideline 2012/19/EC for Waste Electrical and Electronic Equipment and its implementation into national right, power tools that are no longer usable must be collected separately and disposed of in an environmentally friendly way.

WARRANTY

VONROC products are developed to the highest quality standards and are guaranteed free of defects in both materials and workmanship for the period lawfully stipulated starting from the date of original purchase. Should the product develop any failure during this period due to defective material and/or workmanship then contact VONROC directly.

The following circumstances are excluded from this guarantee:

- Repairs and or alterations have been made or attempted to the machine by unauthorized service centers;
- Normal wear and tear;
- The tool has been abused, misused or improperly maintained;
- Non-original spare parts have been used.

This constitutes the sole warranty made by company either expressed or implied. There are no other warranties expressed or implied which extend beyond the face hereof, herein, including the implied warranties of merchantability and fitness for a particular purpose. In no event shall VONROC be liable for any incidental or consequential damages. The dealers remedies shall be limited to repair or replacement of nonconforming units or parts. The product and the user manual are subject to change. Specifications can be changed without further notice.

The product and the user manual are subject to change. Specifications can be changed without further notice.

1. SICHERHEITSANWEISUNGEN



Lesen Sie die beiliegenden Sicherheitsanweisungen, die zusätzlichen Sicherheitsanweisungen sowie diese Bedienungsanleitung sorgfältig durch.

Bei Nichtbeachten der Sicherheitsanweisungen und der Bedienungsanleitung kann es zu einem Stromschlag, einem Brand und/oder schweren Verletzungen kommen.

Bewahren Sie die Sicherheitsanweisungen und die Bedienungsanleitung zur künftigen Bezugnahme sicher auf.

Folgende Symbole werden im Benutzerhandbuch oder auf dem Produkt verwendet:



Bedienungsanleitung lesen!



Gefahr von Personenverletzungen.



Stromschlagrisiko.



Gehörschutz tragen.



Tragen Sie Augenschutz.



Vorsicht: Keine rotierenden Klingen berühren. Scharfe Klinge(n). Gefahr des Abtrennens von Zehen oder Fingern. Zuschauer, insbesondere Kinder und Haustiere in einem Abstand von mehr als 10 Metern halten.



Der Rasenmäher darf nicht ohne angebrachte Grasfangbox oder Schutzvorrichtung betrieben werden.



Nicht im Regen verwenden oder den Rasenmäher bei Regen draußen lassen.



Schalten Sie das Gerät aus und ziehen Sie den Sicherheitsschlüssel (Trennschalter) ab, bevor Sie es einstellen, reinigen oder für längere Zeit unbeaufsichtigt lassen.



Verwenden Sie nur Akkus, die auf den gleichen Stand aufgeladen sind. Niemals volle und halbvolle Akkus kombinieren. Laden Sie immer beide Akkus gleichzeitig auf. Die Betriebsdauer des Geräts hängt von dem Akku mit dem niedrigeren Ladestand ab. Beide Akkus müssen vor dem Gebrauch immer vollständig aufgeladen werden. Schließen Sie vor Gebrauch die Akkuabdeckung.



Warten Sie, bis alle Maschinenkomponenten vollständig zum Stillstand gekommen sind, bevor Sie sie berühren. Die Klingen drehen sich auch nach dem Ausschalten der Maschine weiter, eine rotierende Klinge kann Verletzungen verursachen.



Stellen Sie sicher, dass Unbeteiligte nicht durch umhergeschleuderte Fremdkörper verletzt werden.



Warnung: Halten Sie beim Betrieb einen Sicherheitsabstand zu dem Produkt ein.



Überprüfen Sie den Bereich, in dem das Gerät eingesetzt werden soll, sorgfältig auf Wildtiere und Haustiere. Wildtiere und Haustiere können durch den Betrieb des Geräts verletzt werden. Überprüfen Sie den Arbeitsbereich gründlich und entfernen Sie sämtliche Steine, Stöcke, Drähte, Knochen und anderen Fremdkörper. Achten Sie beim Einsatz des Geräts darauf, dass keine Wildtiere, Haustiere oder kleine Baumstümpfe im dichten Gras versteckt sind.



Verwenden Sie das Akkuladegerät nur in Innenräumen.



Erfüllt alle entsprechenden europäischen Richtlinien.



Entsorgen Sie das Produkt nicht in hierfür nicht vorgesehenen Abfallbehältern.



Garantierter Schallleistungspegel LWA = 96 dB(A)

ALLGEMEINE SICHERHEITSHINWEISE



WARNUNG! Lesen Sie alle Sicherheitshinweise, Anweisungen, Bildierungen und technischen Daten, mit denen dieses Elektrowerkzeug versehen ist. Versäumnisse bei der Einhaltung der nachfolgenden Anweisungen können elektrischen Schlag, Brand und/oder schwere Verletzungen verursachen.

Bewahren Sie alle Sicherheitshinweise und Anweisungen für die Zukunft auf.

Der in den Sicherheitshinweisen verwendete Begriff „Elektrowerkzeug“ bezieht sich auf netzbetriebene Elektrowerkzeuge (mit Netzleitung) oder auf akkubetriebene Elektrowerkzeuge (ohne Netzleitung).

1) Arbeitsplatzsicherheit

- a) **Halten Sie Ihren Arbeitsbereich sauber und gut beleuchtet.** Unordnung oder unbeleuchtete Arbeitsbereiche können zu Unfällen führen.
- b) **Arbeiten Sie mit dem Elektrowerkzeug nicht in explosionsgefährdeter Umgebung, in der sich brennbare Flüssigkeiten, Gase oder Stäube befinden.** Elektrowerkzeuge erzeugen Funken, die den Staub oder die Dämpfe entzünden können.
- c) **Halten Sie Kinder und andere Personen während der Benutzung des Elektrowerkzeugs fern.** Bei Ablenkung können Sie die Kontrolle über das Elektrowerkzeug verlieren.

2) Elektrische Sicherheit

- a) **Der Anschlussstecker des Elektrowerkzeugs muss in die Steckdose passen. Der Stecker darf in keiner Weise verändert werden. Verwenden Sie keine Adapterstecker gemeinsam mit schutzgeerdeten Elektrowerkzeugen.** Unveränderte Stecker und passende Steckdosen verringern das Risiko eines elektrischen Schlages.
- b) **Vermeiden Sie Körperkontakt mit geerdeten Oberflächen wie von Rohren, Heizungen, Herden und Kühlschränken.** Es besteht ein erhöhtes Risiko durch elektrischen Schlag, wenn Ihr Körper geerdet ist.
- c) **Halten Sie Elektrowerkzeuge von Regen oder Nässe fern.** Das Eindringen von Wasser in ein Elektrowerkzeug erhöht das Risiko eines elektrischen Schlages.
- d) **Zweckentfremden Sie die Anschlussleitung nicht, um das Elektrowerkzeug zu tragen, aufzuhängen oder um den Stecker aus der**

- Steckdose zu ziehen. Halten Sie die Anschlussleitung fern von Hitze, Öl, scharfen Kanten oder sich bewegenden Teilen.** Beschädigte oder verwickelte Anschlussleitungen erhöhen das Risiko eines elektrischen Schlages.
- e) **Wenn Sie mit einem Elektrowerkzeug im Freien arbeiten, verwenden Sie nur Verlängerungsleitungen, die auch für den Außenbereich geeignet sind.** Die Anwendung einer für den Außenbereich geeigneten Verlängerungsleitung verringert das Risiko eines elektrischen Schlages.
- f) **Wenn der Betrieb des Elektrowerkzeugs in feuchter Umgebung nicht vermeidbar ist, verwenden Sie einen Fehlerstromschutzschalter.** Der Einsatz eines Fehlerstromschutzschalters vermindert das Risiko eines elektrischen Schlages.
- 3) Sicherheit von Personen**
- a) **Seien Sie aufmerksam, achten Sie darauf, was Sie tun, und gehen Sie mit Vernunft an die Arbeit mit einem Elektrowerkzeug. Benutzen Sie kein Elektrowerkzeug, wenn Sie müde sind oder unter dem Einfluss von Drogen, Alkohol oder Medikamenten stehen.** Ein Moment der Unachtsamkeit beim Gebrauch des Elektrowerkzeugs kann zu ernsthaften Verletzungen führen.
- b) **Tragen Sie persönliche Schutzausrüstung und immer eine Schutzbrille.** Das Tragen persönlicher Schutzausrüstung, wie Staubmaske, rutschfeste Sicherheitsschuhe, Schutzhelm oder Gehörschutz, je nach Art und Einsatz des Elektrowerkzeugs, verringert das Risiko von Verletzungen.
- c) **Vermeiden Sie eine unbeabsichtigte Inbetriebnahme. Vergewissern Sie sich, dass das Elektrowerkzeug ausgeschaltet ist, bevor Sie es an die Stromversorgung und/oder den Akku anschließen, es aufnehmen oder tragen.** Wenn Sie beim Tragen des Elektrowerkzeugs den Finger am Schalter haben oder das Elektrowerkzeug eingeschaltet an die Stromversorgung anschließen, kann dies zu Unfällen führen.
- d) **Entfernen Sie Einstellwerkzeuge oder Schraubenschlüssel, bevor Sie das Elektrowerkzeug einschalten.** Ein Werkzeug oder Schlüssel, der sich in einem drehenden Teil des Elektrowerkzeugs befindet, kann zu Verletzungen führen.
- e) **Vermeiden Sie eine abnormale Körperhaltung. Sorgen Sie für einen sicheren Stand und halten Sie jederzeit das Gleichgewicht.** Dadurch können Sie das Elektrowerkzeug in unerwarteten Situationen besser kontrollieren.
- f) **Tragen Sie geeignete Kleidung. Tragen Sie keine weite Kleidung oder Schmuck. Halten Sie Haare und Kleidung fern von sich bewegenden Teilen.** Lockere Kleidung, Schmuck oder lange Haare können von sich bewegenden Teilen erfasst werden.
- g) **Wenn Staubabsaug- und -auffangeinrichtungen montiert werden können, sind diese anzuschließen und richtig zu verwenden.** Verwendung einer Staubabsaugung kann Gefährdungen durch Staub verringern.
- h) **Wiegen Sie sich nicht in falscher Sicherheit und setzen Sie sich nicht über die Sicherheitsregeln für Elektrowerkzeuge hinweg, auch wenn Sie nach vielfachem Gebrauch mit dem Elektrowerkzeug vertraut sind.** Achtloses Handeln kann binnen Sekundenbruchteilen zu schweren Verletzungen führen.
- 4) Verwendung und Behandlung des Elektrowerkzeugs**
- a) **Überlasten Sie das Elektrowerkzeug nicht. Verwenden Sie für Ihre Arbeit das dafür bestimmte Elektrowerkzeug.** Mit dem passenden Elektrowerkzeug arbeiten Sie besser und sicherer im angegebenen Leistungsbereich.
- b) **Benutzen Sie kein Elektrowerkzeug, dessen Schalter defekt ist.** Ein Elektrowerkzeug, das sich nicht mehr ein- oder ausschalten lässt, ist gefährlich und muss repariert werden.
- c) **Ziehen Sie den Stecker aus der Steckdose und/oder entfernen Sie einen abnehmbaren Akku, bevor Sie Geräteeinstellungen vornehmen, Einsatzwerkzeugteile wechseln oder das Elektrowerkzeug weglegen.** Diese Vorsichtsmaßnahme verhindert den unbeabsichtigten Start des Elektrowerkzeugs.
- d) **Bewahren Sie unbenutzte Elektrowerkzeuge außerhalb der Reichweite von Kindern auf. Lassen Sie keine Personen das Elektrowerkzeug benutzen, die mit diesem nicht vertraut sind oder diese Anweisungen nicht gelesen haben.** Elektrowerkzeuge sind gefährlich, wenn sie von unerfahrenen Personen benutzt werden.
- e) **Pflegen Sie Elektrowerkzeuge und Einsatzwerkzeug mit Sorgfalt. Kontrollieren Sie, ob bewegliche Teile einwandfrei funktionieren und nicht klemmen, ob Teile gebrochen oder so beschädigt sind, dass die Funktion des Elektrowerkzeugs beeinträchtigt ist. Lassen Sie beschädigte Teile vor dem Einsatz des Elektrowerkzeuges**

- reparieren.** Viele Unfälle haben ihre Ursache in schlecht gewarteten Elektrowerkzeugen.
- f) **Halten Sie Schneidwerkzeuge scharf und sauber.** Sorgfältig gepflegte Schneidwerkzeuge mit scharfen Schneidkanten verklemmen sich weniger und sind leichter zu führen.
- g) **Verwenden Sie Elektrowerkzeug, Zubehör, Einsatzwerkzeuge usw. entsprechend diesen Anweisungen. Berücksichtigen Sie dabei die Arbeitsbedingungen und die auszuführende Tätigkeit.** Der Gebrauch von Elektrowerkzeugen für andere als die vorgesehenen Anwendungen kann zu gefährlichen Situationen führen.
- h) **Halten Sie Griffe und Griffflächen trocken, sauber und frei von Öl und Fett.** Rutschige Griffe und Griffflächen erlauben keine sichere Bedienung und Kontrolle des Elektrowerkzeugs in unvorhergesehenen Situationen.
- 5) Verwendung und Behandlung des Akkuwerkzeugs**
- a) **Laden Sie die Akkus nur mit Ladegeräten auf, die vom Hersteller empfohlen werden.** Durch ein Ladegerät, das für eine bestimmte Art von Akkus geeignet ist, besteht Brandgefahr, wenn es mit anderen Akkus verwendet wird.
- b) **Verwenden Sie nur die dafür vorgesehenen Akkus in den Elektrowerkzeugen.** Der Gebrauch von anderen Akkus kann zu Verletzungen und Brandgefahr führen.
- c) **Halten Sie den nicht benutzten Akku fern von Büroklammern, Münzen, Schlüsseln, Nägeln, Schrauben oder anderen kleinen Metallgegenständen, die eine Überbrückung der Kontakte verursachen könnten.** Ein Kurzschluss zwischen den Akkukontakten kann Verbrennungen oder Feuer zur Folge haben.
- d) **Bei falscher Anwendung kann Flüssigkeit aus dem Akku austreten. Vermeiden Sie den Kontakt damit. Bei zufälligem Kontakt mit Wasser abspülen. Wenn die Flüssigkeit in die Augen kommt, nehmen Sie zusätzlich ärztliche Hilfe in Anspruch.** Austretende Akkuflüssigkeit kann zu Hautreizungen oder Verbrennungen führen.
- e) **Benutzen Sie keinen beschädigten oder veränderten Akku.** Beschädigte oder veränderte Akkus können sich unvorhersehbar verhalten und zu Feuer, Explosion oder Verletzungsgefahr führen.
- f) **Setzen Sie einen Akku keinem Feuer oder zu hohen Temperaturen aus.** Feuer oder Temperaturen über 130 °C können eine Explosion hervorrufen.
- g) **Befolgen Sie alle Anweisungen zum Laden und laden Sie den Akku oder das Akkuwerkzeug niemals außerhalb des in der Betriebsanleitung angegebenen Temperaturbereichs.** Falsches Laden oder Laden außerhalb des zugelassenen Temperaturbereichs kann den Akku zerstören und die Brandgefahr erhöhen.
- 6) Service**
- a) **Lassen Sie Ihr Elektrowerkzeug nur von qualifiziertem Fachpersonal und nur mit Original-Ersatzteilen reparieren.** Damit wird sichergestellt, dass die Sicherheit des Elektrowerkzeugs erhalten bleibt.
- b) **Warten Sie niemals beschädigte Akkus.** Sämtliche Wartung von Akkus sollte nur durch den Hersteller oder bevollmächtigte Kundendienststellen erfolgen.

ZUSÄTZLICHE SICHERHEITSANWEISUNGEN FÜR AKKU-RASENMÄHER

- Niemals Kindern oder Personen, die nicht mit diesen Anweisungen vertraut sind, den Umgang mit diesem Produkt erlauben. Örtliche Vorschriften können das Alter des Betreibers einschränken. Das Produkt außerhalb der Reichweite von Kindern lagern, wenn es nicht in Gebrauch ist.
- Erlauben Sie niemals Kindern, Personen mit körperlichen, sensorischen oder geistigen Einschränkungen oder einem Mangel an Erfahrung und/oder Wissen und/oder Personen, die mit dieser Anleitung nicht vertraut sind, das Produkt zu benutzen. Örtliche Vorschriften können das Alter des Betreibers einschränken.
- Kinder müssen beaufsichtigt werden, um sicherzustellen, dass sie nicht mit dem Produkt spielen.
- Das Produkt nie verwenden, wenn Menschen, insbesondere Kinder oder Haustiere, in der Nähe sind.
- Der Benutzer ist verantwortlich für Unfälle oder Gefahren, die für andere Menschen oder deren Eigentum auftreten.
- Bei der Verwendung des Produkts keine offenen Gummischuhe oder Sandalen tragen. Immer festes Schuhwerk und lange Hosen tragen. Nicht barfuß benutzen.
- Untersuchen Sie den Bereich, in dem die Maschine eingesetzt werden soll, gründlich und entfernen Sie alle Steine, Stöcke, Drähte, Knochen und andere Fremdkörper.

- Vor Gebrauch immer eine Sichtprüfung durchführen, um festzustellen, dass die Klingen, Messerschrauben und Schneidemes-ser nicht verschlissen oder beschädigt sind. Verschlissene oder beschädigte Klingen und Schrauben in Sets austauschen, um das Gleichgewicht zu halten.
- Mähen Sie nur bei Tageslicht oder bei guter künstlicher Beleuchtung.
- Vermeiden Sie das Mähen bei schlechten Wetterbedingungen, insbesondere wenn Gewittergefahr besteht.
- Vermeiden Sie nach Möglichkeit den Betrieb des Geräts in nassem Gras.
- Bei der Arbeit gehen, nicht rennen.
- Das Gerät niemals mit defekten Schutzvorrichtungen oder Abschirmungen oder ohne Sicherungseinrichtungen betätigen, z. B. Ablenkbleche und/oder Grasfangvorrichtungen.
- Wir empfehlen, zu Ihrem eigenen Schutz einen Gehörschutz zu tragen.
- Das Gerät niemals verwenden, wenn Sie müde oder krank sind oder unter Einfluss von Alkohol, Drogen oder Medikamenten stehen.
- Die Arbeit an Hängen kann gefährlich sein:
 - Nicht an übermäßig steilen Hängen mähen.
 - Achten Sie an Hängen oder auf nassem Gras immer auf festen Stand.
 - Mähen Sie quer zum Hang, nicht bergauf und bergab.
 - Bei Richtungsänderungen an Hängen gilt äußerste Vorsicht.
- Seien Sie äußerst vorsichtig, wenn Sie rückwärts gehen oder die Maschine in Ihre Richtung ziehen.
- Beim Mähen den Rasenmäher niemals in Körperichtung ziehen.
- Warten Sie, bis die Messer angehalten haben, wenn das Gerät für den Transport gekippt werden muss, wenn Sie andere Flächen als Gras überqueren, und wenn Sie das Gerät zum und vom Einsatzort bringen.
- Kippen Sie die Maschine beim Starten oder Einschalten des Motors nicht.
- Schalten Sie den Motor gemäß den Anweisungen ein und halten Sie dabei die Füße von den rotierenden Teilen fern.
- Bringen Sie Hände oder Füße nicht in die Nähe rotierender Teile oder darunter.
- Halten Sie sich beim Betrieb der Maschine immer entfernt vom Auswurfbereich auf.
- Heben oder tragen Sie die Maschine niemals bei laufendem Motor.
- Achten Sie bei der Lagerung darauf, dass alle 4 Räder des Gartengeräts auf dem Boden stehen.
- Heben Sie das Gartengerät nur mit dem Tragegriff hoch. Verwenden Sie den Tragegriff mit Vorsicht.
- Nehmen Sie keine Änderungen an der Maschine vor. Unerlaubte Änderungen können die Sicherheit Ihrer Maschine beeinträchtigen, zu erhöhter Lärmbelastung und Vibrationen sowie zu schlechter Leistung führen.
- Sicherheitsschlüssel (Trennschalter) entfernen:
 - Immer, wenn das Gerät verlassen wird.
 - Vor Beseitigung einer Blockierung.
 - Vor dem Prüfen, Reinigen oder Arbeiten an dem Gerät.
 - Nach dem Auftreffen auf einen Fremdkörper. Untersuchen Sie die Maschine auf Schäden und wechseln Sie die Klinge bei Bedarf aus.
 - Wenn das Gerät anfängt, ungewöhnlich zu vibrieren, sofort wie folgt vorgehen.

SICHERHEITSHINWEISE FÜR AKKU

- a) **Öffnen Sie den Akku nicht.** Es besteht die Gefahr eines Kurzschlusses.
- b) **Schützen Sie den Akku vor Hitze, z. B. auch vor dauernder Sonneneinstrahlung, Feuer, Wasser und Feuchtigkeit.** Es besteht Explosionsgefahr.
- c) **Bei Beschädigung und unsachgemäßem Gebrauch des Akkus können Dämpfe austreten. Führen Sie Frischluft zu und suchen Sie bei Beschwerden einen Arzt auf.** Die Dämpfe können die Atemwege reizen.
- d) **Verwenden Sie den Akku nur in Verbindung mit Ihrem Vonroc Produkt.** Nur so wird der Akku vor gefährlicher Überlastung geschützt.
- e) **Durch spitze Gegenstände wie z. B. Nagel oder Schrau benzieher oder durch äußere Krafteinwirkung kann der Akku beschädigt werden.** Es kann zu einem internen Kurzschluss kommen und der Akku brennen, rauchen, explodieren oder überhitzen.

SICHERHEITSHINWEISE FÜR DAS LADEGERÄT

Verwendungszweck

Nur für das Laden von wiederaufladbaren Li-Ionen-Akkus des Typs CD801AA und CD803AA geeignet. Andere Arten von Akkus können platzen und zu Verletzungen und Schäden führen.

- Das Gerät darf nicht von Personen (einschließlich Kindern) mit eingeschränkten körperlichen, sensorischen bzw. geistigen Fähigkeiten, mangelnder Erfahrung bzw. fehlendem Wissen verwendet werden, wenn diese nicht beaufsichtigt werden oder eine Einweisung erhalten haben.**
- Kinder sollten beaufsichtigt werden, um sicherzustellen, dass sie nicht mit dem Gerät spielen.**
- Nicht wiederaufladbare Batterien dürfen nicht aufgeladen werden!**
- Während des Ladens müssen sich die Akkus in einem gut belüfteten Raum befinden!**



Dieses Gerät kann von Kindern ab 8 Jahren und darüber sowie von Personen mit verringerten physischen, sensorischen oder mentalen Fähigkeiten oder Mangel an Erfahrung und Wissen benutzt werden, wenn sie beaufsichtigt oder bezüglich des sicheren Gebrauchs des Gerätes unterwiesen wurden und die daraus resultierenden Gefahren verstehen. Kinder dürfen nicht mit dem Gerät spielen. Reinigung und Benutzer-Wartung dürfen nicht von Kindern ohne Aufsichtigung durchgeführt werden.

Elektrische Sicherheit



Achten Sie stets darauf, dass die Spannung der Stromversorgung mit der Spannung auf dem Typenschild übereinstimmt.

- Verwenden Sie die Maschine nicht, wenn das Netzkabel oder der Netzstecker beschädigt ist.
- Verwenden Sie nur Verlängerungskabel, die für die Leistungsaufnahme der Maschine geeignet sind und eine Mindestaderstärke von 1.5 mm² haben. Falls Sie eine Kabeltrommel verwenden, rollen Sie das Kabel immer vollständig ab.

2. ANGABEN ZUM WERKZEUG

Verwendungszweck

Dieses Produkt ist zum Rasenmähen in häuslichen Umgebungen bestimmt. Der Rasenmäher ist zur Verwendung in privaten Gärten vorgesehen. Der Rasenmäher darf nicht zum Schneiden von Büschen, Hecken oder Sträuchern, zum Schneiden von Rankgewächsen, von bepflanzten Dächern oder von Rasen in Balkonkästen, zum Entfernen (Aufsaugen) von Schmutz von Gehwegen oder zum Zerkleinern von Baum oder Heckenschnitt verwendet werden. Darüber hinaus darf der Rasenmäher nicht als Motorgrubber zum Ausgleichen von hohen Stellen wie Maulwurfshügeln verwendet werden. Das Gerät darf nur für den vorgeschriebenen Zweck eingesetzt werden. Jede andere Verwendung gilt als Missbrauch.


TECHNISCHE DATEN





Dieses Handbuch wurde für unterschiedliche Sets / Artikelnummern erstellt. Achten Sie in der Spezifikationstabelle mit den korrekten Zusammenstellungen und Inhalten für Ihr Set auf Ihre jeweilige Artikelnummer.


Modellnummer	Batterien enthalten	Ladegerät enthalten
LM504DC	-	-
S2_LM504DC	2 x CD801AA	2 x CD802AA
S4_LM504DC	2 x CD803AA	2 x CD802AA or 1 x CD820AA

GERÄT	
Modellnummer	LM504DC
Spannung	40V (2 x 20V)
Leerlaufdrehzahl	3400/min
Schnittbreite	330 mm
Schnitthöhe	30/40/50/60/70mm
Kapazität des Graskastens	30 L
Gewicht	8.5 kg
Schutzstufe	IPX1
Schalldruck (L _{pa})	71.4dB(A), K=2.35dB(A)
Schallleistung (L _{wa})	91.4dB(A), K=2.35dB(A)
Vibrationswert	<2.5m/s ² , K=1.5m/s ²

AKKU	
Modellnummer	CD801AA
Akkutyp	Lithium-Ion
Spannung	20V 
Kapazität	2.0 Ah
Empfohlene Ladegeräte	CD802AA, CD820AA
Gewicht	0.3 kg

Modellnummer	CD803AA
Akkutyp	Lithium-Ion
Spannung	20V 
Kapazität	4.0 Ah
Empfohlene Ladegeräte	CD802AA, CD820AA
Gewicht	0.65 kg

LADEGERÄT	
Modellnummer	CD802AA
Ladegerät Eingang	220-240V, 50Hz 0.4A
Ladegerät Ausgang	21V  2.5A
Ladezeit 2Ah Akku	60 minuten
Ladezeit 4Ah Akku	120 minuten
Empfohlene Akkus	CD801AA, CD803AA
Gewicht	0.36 kg

Modellnummer	CD820AA
Ladegerät Eingang	220-240V, 50-60Hz, 200W
Ladegerät	21V  2.3A, <3.8A
Ladezeit 2Ah	45 minuten
Ladezeit 4Ah Akku	85 minuten
Empfohlene Akkus	CD801AA, CD803AA
Gewicht 0.81 kg	0.81 kg

Verwenden Sie nur folgende Akkus der VONROC VPOWER 20V-Akku-Plattform. Die Verwendung anderer Akkus kann zu schweren Verletzungen oder einer Beschädigung des Werkzeugs führen.

CD801AA 20V, 2Ah Lithium-Ion
 CD803AA 20V, 4Ah Lithium-Ion

Folgendes Ladegerät ist zum Aufladen dieser Akkus vorgesehen.

CD802AA Schnellladegerät
 CD820AA Duales Schnellladegerät

Die Akkus der VONROC VPOWER 20V-Akku-Plattform sind unter allen Werkzeugen der VONROC VPOWER 20V-Akku-Plattform austauschbar.

Vibrationsintensität

Die in dieser Bedienungsanleitung angegebene Vibrationsintensität wurde mit einem standardisierten Test gemäß EN60335 gemessen. Anhand dieser Größe können Werkzeuge miteinander verglichen werden. Außerdem eignet sich diese Größe für eine erste Beurteilung der Vibrationsbelastung bei Verwendung des Werkzeugs für die angegebenen Anwendungszwecke:

- Bei Verwendung des Werkzeugs für andere Anwendungen oder mit anderem oder unzureichend gewartetem Zubehör kann sich die Vibrationsbelastung erheblich erhöhen;
- Wenn das Werkzeug ausgeschaltet ist, oder wenn es eingeschaltet ist, jedoch nicht genutzt wird, kann sich die Vibrationsbelastung erheblich verringern.

Schützen Sie sich vor den Auswirkungen der Vibration durch Wartung des Werkzeugs und des Zubehörs, halten Sie Ihre Hände warm, und organisieren Sie Ihren Arbeitsablauf.

BESCHREIBUNG

Die Ziffern im nachstehenden Text verweisen auf die Abbildungen auf Seite 2-6.

1. Oberer Griff
2. EIN/AUS-Schalter
3. Sicherheitsknopf
4. Stromkabel
5. Werkzeug
6. Kabelhalter
7. Tragegriff
8. Rad
9. Radabdeckung
10. Grasfangkorb
11. Grasfangkorbdeckel
12. Grasfangkorbabdeckung
13. Grasfüllmengenanzeige
14. Unterer Griff
- 15A. Griffeinstellknopf
- 15B. Bolzen des Knopfes
16. Grasfangkorb-Tragegriff

- 17. Höheneinstellhebel
- 18. Grasauswurf
- 19. Akkufachabdeckung
- 20. Akkuschacht
- 21. Sicherheitsschlüssel (Trennschalter)
- 22. Taste zum Entsperren des Akkus
- 23. Akku
- 24. Akku LED-Anzeigen-Taste
- 25. LED-Anzeige Akku
- 26. Ladegerät
- 27. Charger LED indicators
- 28. Klinge
- 29. Trennscheibenschraube
- 30. Ladegerät
- 31. Grüne LED-Anzeige Ladegerät
- 32. Gelbe LED-Anzeige Ladegerät
- 33. Rote LED-Anzeige Ladegerät

3. MONTAGE



Nehmen Sie vor allen Arbeiten am Elektrowerkzeug den Akku heraus.



Vor der ersten Verwendung muss der Akku aufgeladen werden.



Warnung: Verwenden Sie nur Akkus, die auf den gleichen Stand aufgeladen sind. Niemals volle und halbvolle Akkus kombinieren. Laden Sie immer beide Akkus gleichzeitig auf. Die Betriebsdauer des Geräts hängt von dem Akku mit dem niedrigeren Ladestand ab. Beide Akkus müssen vor dem Gebrauch immer vollständig aufgeladen werden.

Einsetzen des Akkus in das Werkzeug (Abb. D)



Überprüfen Sie, ob die Außenflächen des Akkus sauber und trocken sind, bevor Sie den Akku an das Ladegerät anschließen oder in das Werkzeug einsetzen. Schließen Sie vor Gebrauch die Akkuabdeckung.

- 1. Öffnen Sie die Akkufachabdeckung (19).
- 2. Setzen Sie den Akku (23) in den Akkuschacht (20) ein, wie in Abb. J dargestellt.
- 3. Schieben Sie den Akku weiter nach vorne, bis er einrastet.
- 4. Wiederholen Sie den Vorgang für den anderen Akku (23).
- 5. Schließen Sie die Akkufachabdeckung (19).

Entnehmen des Akkus aus dem Werkzeug (Abb. A, J)

- 1. Öffnen Sie die Akkufachabdeckung (19).
- 2. Ziehen Sie den Akku (23) aus dem Akkuschacht (20) heraus, wie in Abb. J dargestellt.
- 3. Wiederholen Sie den Vorgang für den anderen Akku (23).

Überprüfen des Akkuladezustands (Abb. K)

- Drücken Sie zum Überprüfen des Ladezustands kurz die Taste (24) auf dem Akku.
- Der Akku ist mit 3 Leuchten zur Anzeige des Ladezustands ausgestattet. Je mehr davon leuchten, desto höher der Ladezustand.
- Wenn keine der Leuchten an ist, bedeutet das, dass der Akku leer ist und sofort aufgeladen werden muss.

Laden des Akkus über das Ladegerät CD802AA (Abb. K)

- 1. Entnehmen Sie den Akku (23) aus dem Werkzeug.
- 2. Drehen Sie den Akku (23) mit der Unterseite nach oben, und schieben Sie ihn in das Ladegerät (26), wie in Abb. K dargestellt.
- 3. Drücken Sie den Akku vollständig in die Aufnahme.
- 4. Stecken Sie den Netzstecker des Ladegeräts in eine Steckdose, und warten Sie einen Moment. Die LED-Anzeigen (27) am Ladegerät leuchten auf und zeigen den Ladezustand an.

Das Ladegerät verfügt über 2 LED-Anzeige (27), die den Ladevorgang anzeigt:

Rote LED	Grüne LED	Status Ladegerät
Aus	Aus	Keine Stromversorgung
Aus	An	Standby-Modus: - Kein Akku eingelegt oder - Akku eingelegt, aber Ladevorgang seit abgeschlossen
An	Aus	Akku wird geladen

- Das vollständige Laden des 2 Ah-Akkus kann bis zu 60 Minuten dauern.
- Das vollständige Laden des 4 Ah-Akkus kann bis zu 120 Minuten dauern.

Ziehen Sie nach dem vollständigen Laden des Akkus den Stecker des Ladegeräts aus der Netzsteckdose, und entnehmen Sie den Akku aus dem Ladegerät.



Wenn das Werkzeug für einen längeren Zeitraum nicht verwendet wird, sollte das Werkzeug möglichst mit einem voll aufgeladenen Akku aufbewahrt werden.

Aufladen des Akkus mit dem Doppelladegerät CD820AA (Abb. L)

1. Entnehmen Sie den Akku (26) aus dem Werkzeug.
2. Drehen Sie den Akku (26) mit der Unterseite nach oben, und schieben Sie ihn in das Ladegerät (30), wie in Abb. L dargestellt.
3. Drücken Sie den Akku vollständig in die Aufnahme.
4. Stecken Sie den Netzstecker des Ladegeräts in eine Steckdose, und warten Sie einen Moment. Die LED-Anzeigen am Ladegerät (31,32,33) leuchten zur Anzeige des Ladezustands auf.

Das Ladegerät verfügt über 6 LED-Anzeige (31,32,33), die den Ladevorgang anzeigt:

Artikel	Zustände	LED-Farbe		
		Rot	Gelb	Grün
Standby	Eingeschaltet	An	An	An
Ladevorgang	Ladevorgang begonnen (10-19V DC±0.5V DC)	Blinkend	Aus	Aus
	Ladevorgang halb abgeschlossen (19-20V DC±0.5V DC)	An	Blinkend	Aus
	Ladevorgang abgeschlossen (20-21V DC±0.5V DC)	An	An	Blinkend
Vollständig aufgeladen	Erhaltungsladung ≤300±150mA	An	An	An
	Ladevorgang beenden			
Hohe Temperatur	Schutz vor hoher Temperatur des Akkus funktioniert	An	An	An

- Das vollständige Laden des 2 Ah-Akkus kann bis zu 45 Minuten dauern.

- Das vollständige Laden des 4 Ah-Akkus kann bis zu 85 Minuten dauern.

Ziehen Sie nach dem vollständigen Laden des Akkus den Stecker des Ladegeräts aus der Netzsteckdose, und entnehmen Sie den Akku aus dem Ladegerät.



Wenn das Werkzeug für einen längeren Zeitraum nicht verwendet wird, sollte das Werkzeug möglichst mit einem voll aufgeladenen Akku aufbewahrt werden.

Anbringen des unteren Griffs (Abb. A, B)

1. Führen Sie den unteren Griff (14) in das dafür vorgesehene Loch am Rasenmähergehäuses ein, siehe Abbildung B. Stellen Sie sicher, dass das Loch im unteren Griff (14) an dem Loch im Rasenmähergehäuse ausgerichtet ist.
2. Setzen Sie die Schraube in das Loch ein und drehen Sie sie im Uhrzeigersinn fest, siehe Abb. B.
3. Wiederholen Sie diese Schritte für den anderen unteren Griff (14).

Montage des oberen Griffs (Abb. A, C, D)

1. Befestigen Sie den oberen Griff (1) mit den mitgelieferten Schrauben (15B) und Griffknöpfen (15A) am unteren Griff (14), siehe Abbildung C. Achten Sie darauf, dass sich der Sicherheitsschalter (3) auf der rechten Seite befindet, wenn Sie hinter dem Rasenmäher stehen.
2. Befestigen Sie das Kabel mit dem Kabelhalter (6) am Griff, siehe Abbildung D.

Hinweis: Wenn die Griffknöpfe (15A) gelöst wurden, kann der obere Griff (1) zur Aufbewahrung des Rasenmähers heruntergeklappt werden. Achten Sie dabei darauf, dass das Stromkabel nicht eingeklemmt wird.

Zusammenbau und Montage des Grasfangkorbs (Abb. A, E, F, G, H)



Der Rasenmäher darf nicht ohne den vollständigen Grasfänger oder die Schutzvorrichtung betrieben werden.

Der Rasenmäher kann mit oder ohne Grasfangkorb verwendet werden. Beachten Sie jedoch, dass beim Mähen ohne Grasfangkorb der Grasfangkorbdeckel (11) heruntergeklappt werden muss. Betreiben Sie den Mäher nicht mit hochgeklapptem Deckel.

1. Verbinden Sie die beiden Hälften des Grasfangkorbs (10) wie in Abbildung E gezeigt.
2. Befestigen Sie die Grasfangkorbabdeckung (12) an dem zusammengebauten Grasfangkorb (10), siehe Abbildung F.
3. Befestigen Sie die Grasfangkorb-Tragegriff (16) an der Grasfangkorbabdeckung (12), siehe Abbildung G.
4. Abbildung H zeigt einen korrekt montierten Grasfangkorb.
5. Heben Sie den Grasfangkorbdeckel (11) an und befestigen Sie den zusammengebauten Grasfangkorb am Rasenmäher. Achten Sie darauf, dass die Vertiefungen im Grasfangkorb richtig an den Haltern des Rasenmähergehäuses ausgerichtet sind.

Hinweis: Der Grasfangkorb ist mit einer Grasfüllmengenanzeige (13) ausgestattet, welche die Menge des gemähten Grasses anzeigt. Solange der Grasfangkorb noch nicht voll ist, bleibt diese Anzeige geöffnet. Wenn der Grasfangkorb voll ist, schließt sich die Anzeige. Hören Sie in diesem Fall sofort auf zu mähen und leeren Sie den Grasfangkorb. Diese Anzeige ist nur eine grobe Richtlinie, deren Funktionalität von den Bedingungen im Grasfangkorb abhängt.

Ersetzen des Schneidmessers (Abb. A, M)



Entfernen Sie vor allen Arbeiten an dem Elektrowerkzeug den Akku.



Tragen Sie beim Ersetzen des Schneidmessers Schutzhandschuhe. Verletzungsgefahr beim Berühren des Schneidmessers.



Verwenden Sie nur vom Hersteller empfohlene Schneidmesser.

1. Nehmen Sie den Grasfangkorb ab.
2. Drehen Sie den Rasenmäher auf die Seite.
3. Halten Sie das Schneidmesser mit Schutzhandschuhen fest.
4. Drehen Sie die Befestigungsschraube des Schneidmessers zum Lösen gegen den Uhrzeigersinn, siehe Abbildung P.
5. Ersetzen oder schärfen Sie das Schneidmesser.
6. Zum Anbringen des Schneidmessers gehen Sie in umgekehrter Reihenfolge vor (die Löcher im Schneidmesser müssen auf den Spindelstiften sitzen).

7. Das Schärfen oder Ersetzen des Schneidmessers sollte am besten von einer qualifizierten Person durchgeführt werden. Nur Originalteile verwenden. Alle Defekte sollten von einer vom Hersteller autorisierten Servicewerkstatt behoben werden.

4. BETRIEB



Vor Gebrauch immer eine Sichtprüfung zu machen, um festzustellen, dass die Klingen, Messerschrauben und Schneidmesser nicht verschlissen oder beschädigt sind. Nehmen Sie den Akku aus dem Gerät. Verschlissene oder beschädigte Klingen und Schrauben in Sets austauschen, um das Gleichgewicht zu halten. Verschlissene oder beschädigte Klingen und Schrauben in Sets austauschen, um das Gleichgewicht zu halten.



Wenn das Gerät anfängt, ungewöhnlich zu vibrieren, sofort wie folgt vorgehen:

- auf Beschädigungen untersuchen,
- beschädigte Teile ersetzen oder reparieren,
- auf lose Teile prüfen und diese befestigen.



In folgenden Fällen das Gerät sofort ausschalten:

- immer, wenn das Gerät verlassen wird,
- vor dem Beseitigen von Verstopfungen oder dem Lösen von Verstopfungen im Schacht zum Grasfangkorb,
- vor dem Prüfen, Reinigen oder Arbeiten an dem Gerät,
- nach dem Auftreffen auf einen Fremdkörper. Untersuchen Sie das Gerät auf Schäden und führen Sie Reparaturen durch, bevor Sie es wieder einschalten und verwenden.



Seien Sie beim Einstellen des Geräts vorsichtig, um ein Einklemmen der Finger zwischen beweglichen Messern und festen Teilen des Geräts zu verhindern.

Einstellung der Schneidhöhe (Abb. A, I)



Schalten Sie das Gerät aus, warten Sie, bis die Klinge zum Stillstand gekommen ist, und nehmen Sie den Akku heraus. Es besteht Verletzungsgefahr.

Je nach bevorzugter Schnitthöhe können Sie die Höhe auf eine von fünf Positionen einstellen. Stellen Sie die Schnitthöhe entsprechend den Bedürfnissen Ihres Rasens ein. Die Schnitthöhe hängt von der Art des Rasens und seiner derzeitigen Höhe ab. Beginnen Sie beim Mähen von hohem Gras mit der maximalen Schnitthöhe und führen Sie danach einen zweiten Schnitt mit einer niedrigeren Schnitthöhe durch. Für den ersten Schnitt der Saison sollte immer eine höhere Schnitthöhe gewählt werden.

1. Ziehen Sie den Höheneinstellhebel (17) nach außen (vom Maschinengehäuse weg), wie in Abbildung I dargestellt.
2. Lassen Sie den Höheneinstellhebel (17) nach außen gezogen und schieben Sie ihn bis zur gewünschten Schnitthöhe nach vorne oder hinten.
3. Lassen Sie den Hebel (17) los und achten Sie darauf, dass er richtig im Schlitz einrastet.

HINWEIS: Es sind 5 Schnitthöhenstufen verfügbar: 30mm, 40mm, 50mm, 60mm, 70mm.

Ein-/Ausschalten der Maschine (Abb. A, N)



Stellen Sie das Produkt vor dem Starten auf eine ebene Fläche, die frei von hohem Gras ist.



Reinigen Sie die Unterseite des Mähdecks, bevor Sie die Maschine einschalten.



Halten Sie die Füße von der Schneidklinge fern.



Kippen Sie das Gerät nicht, wenn Sie den Motor starten.

1. Vergewissern Sie sich, dass der Sicherheitsschlüssel (21) an der vorgesehenen Stelle unter der Akkuabdeckung (19) eingesteckt ist.
2. Um die Maschine zu starten, halten Sie die Sicherheitstaste (3) gedrückt und drücken den Ein-/Ausschalter (2). Zum Arbeiten halten Sie den Ein-/Ausschalter (2) gedrückt und lassen den Sicherheitsknopf (3) los.
3. Um die Maschine auszuschalten, lassen Sie den Ein-/Ausschalter (2) los und warten Sie, bis sich das Schneidmesser nicht mehr dreht.

Bedienung des Mähers (Abb. A, O)



Achten Sie immer darauf, dass zwischen dem Benutzer und dem Mähergehäuse ein sicherer Abstand (gewährleistet durch die langen Griffe) eingehalten wird.



Seien Sie beim Mähen und bei Richtungsänderungen an Hängen und Steigungen besonders vorsichtig. Achten Sie auf festen Stand und tragen Sie robustes, rutschfestes Schuhwerk sowie lange Hosen. Immer entlang der Steigung mähen (nicht auf und abwärts). Aus Sicherheitsgründen darf der Rasenmäher nicht zum Mähen von Steigungen mit mehr als 15 Grad Neigung verwendet werden.



Seien Sie beim Rückwärtsgehen und Ziehen des Rasenmähers besonders vorsichtig. Stolpergefahr!

Vor Gebrauch

- Vergewissern Sie sich, dass der Rasen frei von Steinen, Stöcken, Draht oder anderen Gegenständen ist, die das Gerät beschädigen könnten.
- Schneiden Sie kein nasses Gras, da es am Unterboden des Geräts haften bleibt und das ordnungsgemäße Auswerfen des Schnittguts verhindert. Zudem könnte es dazu führen, dass Sie ausrutschen und fallen.
- Um einen gesunden Rasen zu erhalten, sollte nie mehr als ein Drittel der Gesamtlänge des Grasses abgeschnitten werden. Im Herbst sollte der Rasen nur so lange gemäht werden, wie noch Wachstum herrscht.
- Schieben Sie das Gerät langsam vorwärts, wenn Sie dabei keine Kraft auf.
- Mähen Sie in Reihen, die sich leicht überlappen. Am effektivsten ist es, den gesamten Rasen zu mähen, ohne Stellen auszulassen, wie in Abbildung O dargestellt.
- Umkreisen Sie Blumenbeete. Mähen Sie beim Erreichen eines Blumenbeets in der Mitte eines Rasenstücks ein oder zwei Reihen rund um das Beet herum.
- Seien Sie besonders vorsichtig, wenn Sie die Richtung ändern.
- Immer entlang von Steigungen mähen (nicht auf- und abwärts). Sie können das Abrutschen des Rasenmähers verhindern, indem Sie ihn in einer schrägen Position nach oben führen.

- Wählen Sie die Schnitthöhe entsprechend der Graslänge. Machen Sie mehrere Durchgänge, damit nicht zu viel Gras auf einmal abgemäht wird.
- Leeren Sie die Grasfangbox regelmäßig.

Hinweis: Die Betriebsdauer der Akkus und damit die Fläche in Quadratmetern, die mit einer Akkuladung abgedeckt werden kann, hängt weitgehend vom Zustand des Grasses (z. B. Dichte, Feuchtigkeit, Höhe, Schnitthöhe usw.) und der Mähgeschwindigkeit (Gehgeschwindigkeit) ab. Um die Flächenleistung an Ihre individuellen Bedürfnisse anzupassen, empfiehlt es sich, den Rasen häufiger, mit einer höheren Schnitthöhe und einer angemessenen Geschwindigkeit zu mähen. Wenn Sie das Gerät beim Mähen häufig ein- und ausschalten, verringert sich auch die Fläche, die Sie bearbeiten können. Ist die Betriebsdauer der Akkus (Flächenleistung) trotz der oben genannten Maßnahmen immer noch nicht zufriedenstellend, können Sie als Abhilfe Akkus mit einer größeren Kapazität (Ah) verwenden.

Nach der Verwendung

1. Nach der Verwendung das Produkt ausschalten und den Sicherheitsschlüssel (21) abziehen.
2. Entfernen Sie die Akkus (23).
3. Überprüfen, reinigen und lagern Sie das Produkt wie im Kapitel „Wartung“ beschrieben.

5. WARTUNG



Schalten Sie das Gerät aus, warten Sie, bis die Klinge zum Stillstand gekommen ist, und nehmen Sie den Akku heraus. Es besteht Verletzungsgefahr.

Reinigung

langen Zeitraum mit einem Minimum an Wartung betrieben zu werden. Ein fortwährend zufriedenstellender Betrieb hängt von einer ordnungsgemäße Mäherpflege und regelmäßiger Reinigung ab.

- Den Rasenmäher sauber und trocken halten.
- Regelmäßig einen Flachscharer verwenden, um Gras und Schmutz vom Rasenmäher zu entfernen.
- Zum Reinigen des Rasenmähers nur milde Seife und ein feuchtes Tuch verwenden. Niemals Flüssigkeit in das Werkzeug gelangen lassen und keine Teile des Werkzeugs in Flüssigkeit tauchen. Kein scheuer oder lösemittelbasiertes Reinigungsmittel verwenden.

Stoppen Sie die Klinge(n), wenn die Maschine für Transport beim Überqueren von anderen Oberflächen als Gras und beim Transport der Maschine zum und vom die zu verwendende Fläche. Starten Sie die Maschine nicht, wenn Sie vor dem Auswurföffnung.

Aufbewahrung

Lassen Sie das Gerät vor der Aufbewahrung immer abkühlen. Verschlissene oder beschädigte Teile aus Sicherheitsgründen austauschen. Nur Original Ersatzteile und Zubehör verwenden.

1. Vor dem Lagern schalten Sie das Gerät aus, ziehen den Sicherheitsschlüssel (21) ab und nehmen den Akku (23) heraus.
2. Reinigen Sie das Produkt wie oben beschrieben.
3. Lagern Sie das Produkt und sein Zubehör an einem dunklen, trockenen, frostfreien und gut belüfteten Ort. Die ideale Lagertemperatur liegt zwischen 10 °C und 30 °C.
4. Lagern Sie das Produkt immer an einem für Kinder unzugänglichen Ort.
5. Wir empfehlen, das Produkt in der Originalverpackung aufzubewahren oder es mit einem geeigneten Tuch oder einer Hülle zu bedecken, um es vor Staub zu schützen.

Transport

1. Vor dem Transport schalten Sie das Gerät aus, ziehen den Sicherheitsschlüssel (21) ab und nehmen den Akku (23) heraus.
2. Transportieren Sie das Produkt immer an seinem Transportgriff (7).
3. Schützen Sie das Produkt vor schweren Stößen oder starken Vibrationen, die beim Transport in Fahrzeugen auftreten können.
4. Sichern Sie das Produkt, um es vor dem Verrutschen, Umfallen oder vor Beschädigungen zu schützen und um Verletzungen zu verhindern.

UMWELTSCHUTZ



Schadhafte und/oder zu entsorgende elektrische oder elektronische Werkzeuge und Geräte müssen an den dafür vorgesehenen Recycling-Stellen abgegeben werden.

Nur für EG-Länder

Entsorgen Sie Elektrowerkzeuge nicht über den Hausmüll. Entsprechend der EU-Richtlinie 2012/19/ EG über Elektro- und Elektronik-Altgeräte sowie der Umsetzung in nationales Recht müssen Elektrowerkzeuge, die nicht mehr im Gebrauch sind, getrennt gesammelt und umweltschonend entsorgt werden.

GARANTIE

VONROC-Produkte werden nach den höchsten Qualitätsstandards entwickelt und sind für den gesetzlich festgelegten Zeitraum, ausgehend von dem ursprünglichen Kaufdatum, garantiert frei von Fehlern in Material und Ausführung. Sollte das Produkt in diesem Zeitraum aufgrund von Material- und/oder Verarbeitungsmängeln Fehler aufweisen, wenden Sie sich bitte direkt an VONROC Kundendienst.

Folgende Umstände sind von der Garantie ausgeschlossen:

- Reparaturen und oder Änderungen an der Maschine, die durch nicht-autorisierte Servicetechniken vorgenommen oder versucht wurden.
- Normale Abnutzung und Verschleiß.
- Das Werkzeug wurde übermäßig beansprucht, missbrauchlich verwendet oder falsch gewartet.
- Es wurden keine Original-Ersatzteile verwendet.

Dies stellt die einzige Gewährleistung des Unternehmens dar, sowohl ausdrücklich als auch implizit. Es gibt keine anderen ausdrücklichen oder stillschweigenden Garantien, die über das hier Genannte hinausgehen, einschließlich der stillschweigenden Garantien der Marktgangigkeit oder Eignung für einen bestimmten Zweck. In keinem Fall ist VONROC haftbar für Neben- oder Folgeschäden. Die Rechtsmittel des Handlers beschränken sich auf Reparatur oder Ersatz fehlerhafter Einheiten oder Teile.

Am Produkt und am Benutzerhandbuch können Änderungen vorgenommen werden. Die technischen Daten können sich ohne Vorankündigung ändern.

1. VEILIGHEIDSVOORSCHRIFTEN

Lees de bijgesloten veiligheidswaarschuwingen, de aanvullende veiligheidsaanbevelingen en de instructies. Het niet

opvolgen van de veiligheidsaanbevelingen kan elektrische schokken, brand en/of ernstig letsel tot gevolg hebben. **Bewaar de veiligheidsaanbevelingen en instructies als naslagwerk voor later.**

De volgende symbolen worden gebruikt in de gebruikershandleiding of op het product:



Lees de gebruikershandleiding.



Gevaar voor persoonlijk letsel.



Gevaar voor elektrische schokken.



Draag gehoorbescherming.



Draag oogbescherming



Voorzichtig: Raak de roterende bladen niet aan. Scherp blad/Scherpe bladen. Wees u bewust van het feit dat deze bladen vingers of tenen kunnen afhakken. Houd omstanders, vooral kinderen en huisdieren, op een afstand van meer dan 10 m.



De gazonmaaier mag niet worden gebruikt wanneer niet de gehele grasopvangbak of de beschermkap is geplaatst.



Gebruik de gazonmaaier niet in de regen en laat de machine niet buiten staan wanneer het regent.



Schakel de veiligheidssleutel (AAN/UIT-schakelaar) uit voordat het product wordt ingesteld, gereinigd en voordat het product gedurende enige tijd onbeheerd wordt achtergelaten.



Gebruik uitsluitend accu's die op eenzelfde niveau zijn geladen. Nooit volledig geladen en half geladen accu's tezamen gebruiken. De twee accu's moeten altijd tegelijkertijd worden geladen. De gebruiksduur van het apparaat is afhankelijk van de accu met de laagste lading. De beide accu's moeten te

allen tijde voorafgaand aan het gebruik worden geladen. Sluit het accucompartiment voordat het apparaat gebruikt gaat worden.



Wacht tot alle componenten van de machine volledig tot stilstand zijn gekomen voordat u ze aanraakt. De bladen blijven nog even draaien nadat de machine is uitgeschakeld, een ronddraaiend blad kan letsel veroorzaken.



Zorg ervoor dat omstanders geen letsel oplopen als gevolg van vreemde objecten die worden weggeslingerd.



Waarschuwing: Houd een veilige afstand aan tot het product wanneer deze in werking is.



De omgeving waar de machine wordt gebruikt, zorgvuldig controleren op de aanwezigheid van wilde dieren en huisdieren. Wilde dieren en huisdieren kunnen letsel oplopen als de machine in werking is. Controleer het werkgebied nauwgezet op de aanwezigheid van stenen, takken, draden/kabels, botten en vreemde objecten. Als de machine wordt gebruikt, dient gecontroleerd te worden of geen wilde dieren, huisdieren of kleine boomstronken in het dichte gras zijn verborgen.



De acculader uitsluitend binnenshuis gebruiken.



Voldoet aan alle relevante Europese richtlijnen.



Werp het product niet weg in ongeschikte containers.



Het gegarandeerde geluidsvermogensniveau LWA = 96 dB(A)

ALGEMENE VEILIGHEIDSVOORSCHRIFTEN



WAARSCHUWING! Lees alle veiligheids-waarschuwingen en alle instructies. Het niet opvolgen van onderstaande instructies kan leiden tot een elektrische schok, brand en/of ernstig persoonlijk letsel.

Bewaar deze instructies.

De term “elektrisch gereedschap” in onderstaande waarschuwingen heeft betrekking op zowel apparatuur met een vaste elektriciteitskabel als op apparatuur met een accu (draadloze apparatuur).

1) Werkgebied

- Zorg voor een opgeruimde en goed verlichte werkomgeving.** Rommelige en donkere werkomgevingen leiden tot ongelukken
- Gebruik elektrisch gereedschap nooit in een omgeving waar explosiegevaar bestaat, zoals in de nabijheid van ontvlambare vloeistoffen, gassen, dampen of andere stoffen.** Elektrische gereedschappen kunnen vonken veroorzaken, die deze stoffen tot ontbranding kunnen brengen.
- Wanneer u elektrisch gereedschap gebruikt, houd dan kinderen en omstanders op afstand.** Wanneer u wordt afgeleid, kunt u de controle over het gereedschap verliezen.

2) Elektrische veiligheid

- Stekkers van elektrische gereedschappen moeten probleemloos passen op het stopcontact. Breng nooit wijzigingen aan in of aan de stekker. Gebruik geen adapters voor geaarde elektrische gereedschappen.** Standaardstekkers en passende stopcontacten verkleinen de kans op een elektrische schok.
- Voorkom lichamelijk contact met geaarde oppervlakken van bijvoorbeeld pijpen, leidingen, radiatoren, fornuizen en koelkasten.** Wanneer uw lichaam geaard is, wordt de kans op een elektrische schok groter.
- Stel elektrische gereedschappen nooit bloot aan regen of vocht.** Wanneer er water binnendringt in een elektrisch gereedschap, wordt de kans op een elektrische schok groter.
- Gebruik het snoer niet om het elektrisch gereedschap te dragen, te verplaatsen of de stekker uit het stopcontact te trekken. Bescherm het snoer tegen olie, warmte, scherpe randen en bewegende delen.** Beschadigde of vastzittende snoeren vergroten de kans op een elektrische schok.
- Wanneer u elektrische gereedschappen buiten gebruikt, gebruik dan een verlengkabel die geschikt is voor buitengebruik.** Door een kabel te gebruiken die geschikt is voor buitengebruik, wordt de kans op een elektrische schok kleiner.
- Gebruik een aardlekbeveiliging (RCD) als niet te**

voorkomen is dat een powertool moet worden gebruikt in een vochtige omgeving. Gebruik van een RCD vermindert het risico van elektrische schokken.

3) Persoonlijke veiligheid

- a) **Blijf altijd alert, kijk goed wat u doet en gebruik uw gezonde verstand wanneer u een elektrisch gereedschap gebruikt. Gebruik geen elektrische gereedschappen wanneer u moe bent, of drugs, alcohol of medicijnen hebt gebruikt.** Eén moment van onachtzaamheid bij het gebruik van elektrische gereedschappen kan ernstige verwondingen tot gevolg hebben.
- b) **Gebruik persoonlijke beschermingsmiddelen. Draag altijd een veiligheidsbril.** Een gepast gebruik van veiligheidsvoorzieningen, zoals een stof masker, speciale werkschoenen met antislipzolen, een veiligheidshelm en gehoorbescherming verkleinen de kans op persoonlijk letsel.
- c) **Voorkom dat het gereedschap per ongeluk wordt gestart. Zorg dat de schakelaar op de UITpositie staat, voordat u de stekker in het stopcontact steekt.** Draag elektrisch gereedschap nooit met uw vinger op de schakelaar en steek ook nooit de stekker van ingeschakelde elektrische gereedschappen in het stopcontact: dit leidt tot ongelukken.
- d) **Verwijder alle instel en andere sleutels uit het elektrisch gereedschap voordat u hem inschakelt.** Instel en andere sleutels aan een ronddraaiend onderdeel van het elektrisch gereedschap kunnen tot verwondingen leiden.
- e) **Zorg dat u nooit uw evenwicht kunt verliezen; houd altijd twee voeten stevig op de vloer.** Hierdoor kunt u het elektrisch gereedschap in onverwachte situaties beter onder controle houden.
- f) **Zorg dat u geschikte kleding draagt. Draag geen loshangende kleding of sieraden. Houd uw haar, kleding en handschoenen uit de buurt van bewegende delen.** Loshangende kleding, sieraden en lang haar kunnen vast komen te zitten in bewegende delen.
- g) **Wanneer er voorzieningen zijn voor de aansluiting van stofafzuiginstallaties, zorg dan dat ze op de juiste wijze worden aangesloten en gebruikt.** Gebruik van deze voorzieningen vermindert de gevaren die door stof worden veroorzaakt.
- h) **Denk niet dat doordat u gereedschap vaak gebruikt, u wel weet hoe het allemaal werkt en**

dat u de veiligheidsbeginselen voor het gebruik van het gereedschap wel kunt negeren. Een onbezonnen actie kan in een fractie van een seconde ernstig letsel tot gevolg hebben.

4) Gebruik en onderhoud van elektrisch gereedschap

- a) **Oefen geen overmatige kracht uit op elektrisch gereedschap. Gebruik het juiste gereedschap voor uw specifieke toepassing.** Met het juiste elektrische gereedschap voert u de taak beter en veiliger uit wanneer dit op de snelheid gebeurt waarvoor het apparaat is ontworpen.
- b) **Gebruik nooit elektrisch gereedschap waarvan de AAN/UITschakelaar niet werkt.** Ieder elektrisch gereedschap dat niet kan worden in een uitgeschakeld met de schakelaar is gevaarlijk en moet worden gerepareerd.
- c) **Trek de stekker uit het stopcontact voordat u wijzigingen aanbrengt aan elektrische gereedschappen, accessoires verwisselt of het elektrisch gereedschap opbergt.** Wanneer u zich aan deze preventieve veiligheidsmaatregelen houdt, beperkt u het risico dat het gereedschap per ongeluk wordt gestart.
- d) **Berg elektrisch gereedschap dat niet in gebruik is op buiten bereik van kinderen en laat personen die niet bekend zijn met het gereedschap of deze instructies het apparaat niet gebruiken.** Elektrisch gereedschap is gevaarlijk in de handen van ongeofende gebruikers.
- e) **Zorg voor een goed onderhoud van elektrisch gereedschap. Controleer of bewegende delen op de juiste wijze zijn vastgezet. Controleer ook of er geen onderdelen defect zijn of dat er andere omstandigheden zijn die van invloed kunnen zijn op de werking van het gereedschap. Laat het gereedschap bij beschadigingen repareren vóór gebruik.** Veel ongelukken worden veroorzaakt door slecht onderhoud van het gereedschap.
- f) **Zorg dat snij en zaagwerktuigen scherp en schoon blijven.** Goed onderhouden snij en zaagwerktuigen met scherpe randen zullen minder snel vastlopen en zijn eenvoudiger onder controle te houden.
- g) **Gebruik alle elektrische gereedschappen, accessoires, bitjes etc., zoals aangegeven in deze instructies en op de wijze waarvoor het gereedschap is ontworpen. Houd daarbij rekening met de werkomstandigheden en de uit te voeren taak.** Gebruik van elektrisch

- gereedschap voor handelingen die afwijken van de taken waarvoor het apparaat is ontworpen kunnen leiden tot gevaarlijke situaties.
- h) **Houd handgrepen en greepoppervlakken droog, schoon en vrij van olie en vet.** Gladde handgrepen en greepoppervlakken maken veilig werken en controle over het gereedschap in onverwachte situaties onmogelijk.
- 5) **Gebruik en onderhoud accugereedschap**
- a) **Laad alleen op met de lader die door de fabrikant is gespecificeerd.** Een lader die voor een bepaalde accu geschikt is, kan brand veroorzaken wanneer deze met een andere accu wordt gebruikt.
- b) **Gebruik elektrisch gereedschap alleen met de speciaal hiervoor bedoelde accu's.** Gebruik van andere accu's kan kans op letsel en brand geven.
- c) **Wanneer de accu niet in gebruik is, houd deze dan uit de buurt van andere metalen voorwerpen zoals paperclips, munten, sleutels, spijkers, schroeven of andere kleine metalen voorwerpen die een verbinding tussen twee polen kunnen maken.** Kortsluiting tussen de accupolen kan brandwonden of brand veroorzaken.
- d) **Wanneer de accu niet juist wordt gebruikt, kan er vloeistof uit lopen; raak dit niet aan. Wanneer dit per ongeluk wel gebeurt, spoel dan met water. Wanneer de vloeistof in de ogen komt, moet u een arts raadplegen.** De vloeistof uit de accu kan irritaties of brandwonden veroorzaken.
- e) **Gebruiken niet een accu of gereedschap dat beschadigd is of gemodificeerd.** Beschadigde of gemodificeerde accu's kunnen onvoorspelbaar gedrag vertonen, wat brand, explosie of een risico van letsel met zich meebrengt.
- f) **Stel een accu over het gereedschap niet bloot aan open vuur of een uitzonderlijk hoge temperatuur.** Blootstelling aan vuur of een temperatuur hoger dan 130 °C, kan een explosie veroorzaken. NB De temperatuur van "130 °C" kan worden vervangen door de temperatuur van "265 °F".
- g) **Houd u aan alle instructies voor het laden en laad de accu of het gereedschap niet op buiten het temperatuurbereik dat in de instructies wordt aangeduid.** Op een onjuiste wijze laden of laden bij temperaturen buiten het aangeduide bereik kan de accu beschadigen en het risico van brand doen toenemen.

6) Service

- a) **Laat uw gereedschap onderhouden door een gekwalificeerde onderhoudstechnicus die alleen gebruikmaakt van identieke vervangingsonderdelen.** Dit zorgt ervoor dat de veiligheid van de powertool intact blijft.
- b) **Voer nooit servicewerkzaamheden uit aan beschadigde accu's.** Alleen de fabrikant of geautoriseerde service-providers mogen servicewerkzaamheden aan accu's uitvoeren.

ADDITIONELE VELIGHEIDSLINSTRUCTIES VOOR GAZONMAAIERS MET ACCU

- Nooit kinderen of mensen die deze instructies niet kennen, dit product laten gebruiken. Ter plaatse geldende voorschriften kunnen een beperking van de leeftijd van de gebruiker inhouden. Als het product niet wordt gebruikt, dient het buiten bereik van kinderen opgeborgen te worden.
- Laat nooit kinderen of mensen met een fysieke, sensorische of mentale beperking of mensen met een gebrek aan ervaring en/of kennis en/of mensen die deze instructies niet kennen, dit product gebruiken. Ter plaatse geldende voorschriften kunnen een beperking van de leeftijd van de gebruiker inhouden.
- Kinderen moeten onder toezicht staan zodat zij beslist niet met het product kunnen spelen.
- Werk nooit met dit product als mensen, vooral kinderen of huisdieren, bij u in de buurt zijn.
- De gebruiker is aansprakelijk voor ongelukken en gevaarlijke situaties die van invloed zijn op andere mensen of hun bezittingen.
- Draag geen open rubberen schoenen of sandalen als dit product wordt gebruikt. Draag altijd stevige schoenen en een lange broek. Nooit met blote voeten met dit product werken.
- Het gebied waar de machine gebruikt gaat worden nauwkeurig controleren en verwijder alle stenen, takken, draden/kabels, botten en enige andere vreemde objecten.
- Voer altijd een visuele inspectie uit voordat u het product gebruikt, om te zien of de bladen, de bouten van de bladen en het snijmechanisme niet versleten of beschadigd zijn. Vervang versleten of beschadigde bladen en bouten in sets, zodat het gereedschap in balans blijft.
- Werk alleen bij daglicht of bij goed kunstlicht.
- Werk niet met het product onder slechte weersomstandigheden, vooral niet wanneer onweer dreigt.

- Indien mogelijk, de machine niet gebruiken als het gras nat is.
- U dient achter de machine te lopen, niet te rennen.
- Werk nooit met de machine wanneer beschermkappen niet goed functioneren, of zonder veiligheidsvoorzieningen, bijvoorbeeld zonder dat omleiders en/of de grasopvangbak op de juiste plaats zijn aangebracht.
- Voor uw eigen comfort adviseren wij u gehoorbescherming te gebruiken.
- Werk nooit met het product wanneer u moe bent of u zich niet lekker voelt of wanneer u onder invloed bent van alcohol of drugs, of van medicatie.
- Het gebruik van het product op oevers kan gevaarlijk zijn:
 - Werk niet op zeer steile hellingen.
 - Controleer te allen tijde of u een stevige stand hebt als u het product op hellingen of in nat gras gebruikt.
 - Werk altijd in de lengterichting van helling, nooit omhoog en omlaag.
 - Wees uiterst voorzichtig als u op hellingen van richting gaat veranderen.
- Pas uiterste alertheid toe als u naar achteren stapt of de machine naar u toetrekt.
- Nooit maaien terwijl u de machine naar u toetrekt.
- Wacht totdat de bladen stilstaan als de machine moet worden gekanteld voor een verplaatsing, wanneer u oppervlakken oversteeft die geen gras zijn en wanneer u de machine van en naar het terrein vervoert, waar u de machine gaat gebruiken.
- De machine niet kantelen als de motor wordt aangezet of ingeschakeld.
- De motor volgens de instructies aanzetten, waarbij uw voeten zo ver mogelijk uit de buurt van de roterende onderdelen moeten zijn.
- Uw handen en/of voeten niet in de buurt van of onder de roterende onderdelen plaatsen of houden.
- Houd altijd afstand tot het uitwerpgebied wanneer u met de machine werkt.
- De machine nooit oppakken of dragen als de motor draait.
- Als de machine wordt opgeborgen, moet u controleren of alle 4 de wielen van het tuingereedschap op de grond/vloer staan.
- Het tuingereedschap alleen via de draaghand-

greep dragen. De draaghandgreep zorgvuldig gebruiken.

- De machine niet aanpassen. Niet toegestane aanpassingen kunnen de veiligheid van uw machine in gevaar brengen, hetgeen tot meer geluid en trillingen kan leiden en een slechte prestatie.
- Verwijder de veiligheidssleutel (AAN/UIT-schakelaar):
 - Als u de machine onbeheerd achterlaat.
 - Voordat u begint met het verhelpen van een verstopping.
 - Voordat u de machine controleert, reinigt of er werkzaamheden aan verricht.
 - Nadat u een vreemd voorwerp hebt geraakt. Controleer de machine op beschadigingen en vervang de bladen als dit noodzakelijk is.
 - Als de machine abnormaal begint te trillen (onmiddellijk een inspectie uitvoeren).

VEILIGHEIDSVOORSCHRIFTEN VOOR DE ACCU

- a) **Open de accu niet.** Er bestaat gevaar voor kortsluiting.
- b) **Bescherm de accu tegen hitte, bijvoorbeeld ook tegen voortdurend zonlicht, vuur, water en vocht.** Er bestaat explosiegevaar.
- c) **Bij beschadiging en onjuist gebruik van de accu kunnen er dampen vrijkomen. Zorg voor frisse lucht en raadpleeg bij klachten een arts.** De dampen kunnen de lucht wegen irriteren.
- d) **Gebruik de accu alleen in combinatie met uw Vonroc product.** Alleen zo wordt de accu tegen gevaarlijke overbelasting beschermd.
- e) **Door scherpe voorwerpen, zoals bijv. spijkers of schroevendraaiers of door krachthinwerking van buitenaf kan de accu beschadigd worden.** Het kan tot een interne kortsluiting leiden en de accu doen branden, roken, exploderen of oververhitten.

VEILIGHEIDSVOORSCHRIFTEN VOOR DE LADER Bedoeld gebruik

Laad uitsluitend herlaadbare accupacks van het type CD801AA en CD803AA. Andere typen accu's kunnen exploderen, wat lichamelijk letsel en schade kan veroorzaken.

- a) **Het apparaat dient niet te worden gebruikt door personen (inclusief kinderen) met verminderde fysieke, zintuiglijke of mentale functies of personen zonder enige ervaring en kennis, tenzij zij onder toezicht staan of zijn geïnstrueerd.**

- b) Laat kinderen onder toezicht niet met het apparaat spelen.
- c) Laad niet-herlaadbare accu's niet opnieuw op!
- d) Plaats de accu's tijdens het opladen in een goed geventileerde ruimte!



Dit apparaat mag worden gebruikt door kinderen vanaf 8 jaar en door personen met verminderde lichamelijke, zintuiglijke of geestelijke vermogens, of met een gebrek aan ervaring en kennis, mits zij onder toezicht staan of geïnstrueerd zijn betreffende het veilig gebruik van het apparaat en zich bewust zijn van de ermee verbonden risico's. Kinderen mogen niet met het apparaat spelen. Reiniging en gebruikeronderhoud mogen niet door kinderen zonder toezicht worden uitgevoerd.

Elektrische veiligheid



Controleer altijd of de spanning van de stroomtoevoer overeenkomt met de spanning op het typeplaatje.

- Gebruik de machine niet indien het netsnoer of de netstekker zijn beschadigd.
- Gebruik uitsluitend verlengkabels die geschikt zijn voor het vermogen van de machine met een minimale dikte van 1.5 mm². Indien u een verlengkabelhaspel gebruikt, rol dan altijd de kabel volledig uit.

2. TECHNISCHE INFORMATIE

Bedoeld gebruik

Dit product is ontworpen voor het maaien van gazons in woonomgevingen. De gazonmaaier is bedoeld voor prive tuinen thuis. Met de gazonmaaier mogen geen struiken, heggen of heesters te knippen, het inkorten van vegetatie, begroeide daken of gras dat groeit op terrassen, voor het schoonmaken (stofzuigen) van vuil en afval van trottoirs, of voor het hakselen van snoeiafval van bomen of heggen. Bovendien mag de gazonmaaier niet worden gebruikt als motorisch aangedreven cultivator van het uitvlakken van hogere delen, zoals molshopen. De apparatuur mag alleen worden gebruikt voor het voorgeschreven doel. Alle andere toepassingen worden geacht te zijn verkeerd gebruik van de gazonmaaier.

TECHNISCHE SPECIFICATIES



Deze gebruikshandleiding is opgesteld voor verschillende sets / artikelnummers. Controleer het bijbehorende artikelnummer in de onderstaande specificaties voor de juiste samenstelling en inhoud van uw set.

Model Nr.	Batterijen meegeleverd	Acculader meegeleverd
LM504DC	-	-
S2_LM504DC	2 x CD801AA	2 x CD802AA
S4_LM504DC	2 x CD803AA	2 x CD802AA or 1 x CD820AA


MACHINE


Model Nr.	LM504DC
Spanning	40V (2 x 20V)
Onbelaste snelheid	3400/min
Kniplengte	330 mm
Kniphoopte	30/40/50/60/70mm
Capaciteit grasopvangbak	30 L
Gewicht	8.5 kg
Productieniveau	IPX1
Geluidsdruk (L _{pa})	71.4dB(A), K=2.35dB(A)
Geluidsdruk (L _{wa})	91.4dB(A), K=2.35dB(A)
Trillingswaarde	<2.5m/s ² , K=1.5m/s ²

ACCU

Model Nr.	CD801AA
Accu type	Lithium-Ion
Voltage	20V
Vermogen	2.0 Ah
Aanbevolen laadapparaat	CD802AA, CD820AA
Gewicht	0.3 kg

Model Nr.	CD803AA
Accu type	Lithium-Ion
Voltage	20V
Vermogen	4.0 Ah
Aanbevolen laadapparaat	CD802AA, CD820AA
Gewicht	0.65 kg

ACCULADER	
Model Nr.	CD802AA
Acculader ingang	220-240V, 50Hz 0.4A
Acculader uitgangsvermogen	21V  2.5A
Oplaadtijd 2Ah accu	60 minuten
Oplaadtijd 4Ah accu	120 minuten
Aanbevolen accu's	CD801AA, CD803AA
Gewicht	0.36 kg

Model Nr.	CD820AA
Acculader ingang	220-240V, 50-60Hz, 200W
Acculader uitgangsvermogen	21V  2.3A, <3.8A
Oplaadtijd 2Ah accu	45 minuten
Oplaadtijd 4Ah accu	85 minuten
Aanbevolen accu's	CD801AA, CD803AA
Gewicht	0.81 kg

Gebruik uitsluitend de volgende accu's van het VONROC VPOWER 20V accu-platform. Gebruik van andere accu's kan leiden tot ernstig letsel of tot beschadiging van het gereedschap.

CD801AA 20V, 2Ah Lithium-Ion
 CD803AA 20V, 4Ah Lithium-Ion

De volgende lader kan worden gebruikt voor het opladen van deze accu's.

CD802AA Snellader
 CD820AA Dubbele snellader 20V

De accu's van het VONROC VPOWER 20V accu-platform kunnen worden gewisseld tussen alle gereedschappen van het VONROC VPOWER 20V accu-platform.

Trillingsniveau

Het trillingsemissieniveau, dat in deze gebruiksaanwijzing wordt vermeld, is gemeten in overeenstemming met een gestandaardiseerde test volgens EN60335; deze mag worden gebruikt om twee machines met elkaar te vergelijken en als voorlopige beoordeling van de blootstelling aan trilling bij gebruik van de machine voor de vermelde toepassingen:

- gebruik van de machine voor andere toepassingen, of met andere of slecht onderhouden accessoires, kan het blootstellingsniveau aanzienlijk verhogen;
- wanneer de machine is uitgeschakeld of wanneer deze loopt maar geen werk verricht, kan dit het blootstellingsniveau aanzienlijk reduceren.

Bescherm uzelf tegen de gevolgen van trilling door de machine en de accessoires te onderhouden, uw handen warm te houden en uw werkwijze te organiseren.

BESCHRIJVING

De nummers in de tekst verwijzen naar de illustraties op pagina 2-6.

1. Bovenste handgreep
2. Schakelaar Aan / Uit
3. Veiligheidsknop
4. Netsnoer
5. Machine
6. Kabelhouder
7. Draaghandgreep
8. Wiel
9. Wielkap
10. Grasopvangmand
11. Deksel grasopvangbak
12. Kap grasopvangbak
13. Grasniveau-indicator
14. Onderste handgreep
- 15A. Instelknop handgreep
- 15B. Bout voor knop
16. Draaghandgreep grasopvangbak
17. Hendel voor hoogteinstelling
18. Uitlaat voor gras
19. Afdekking accucompartiment
20. Accucompartiment
21. Veiligheidssleutel (AAN/UIT-schakelaar)
22. Ontgrendelingsknop accu
23. Accu
24. Led-controlelampjes knop
25. Led-controlelampjes accu
26. Acculader
27. LED-indicatielampjes lader
28. Mes
29. Zaagbladbout
30. Acculader
31. Groen Led-controlelampje acculader
32. Amber Led-controlelampje acculader
33. Rood Led-controlelampje acculader

3. ASSEMBLAGE



Neem altijd voor werkzaamheden aan het elektrische gereedschap de accu uit het gereedschap.



De accu moet zijn opgeladen voordat deze voor het eerst wordt gebruikt.



Waarschuwing: Gebruik uitsluitend accu's die op eenzelfde niveau zijn geladen. Nooit volledig geladen en half geladen accu's tezamen gebruiken. De twee accu's moeten altijd tegelijkertijd worden geladen. De gebruiksduur van het apparaat is afhankelijk van de accu met de laagste lading. De beide accu's moeten te allen tijde voorafgaand aan het gebruik worden geladen.

De accu in de machine plaatsen (Afb. A, J)



Zorg ervoor dat het oppervlak van de accu schoon en droog is voordat u deze op de acculader of de machine aansluit. Sluit het accucompartiment voordat het apparaat gebruikt gaat worden.

1. Open de klep van het accucompartiment (19).
2. Plaats de accu (23) in het accucompartiment (20), zoals wordt getoond in Afb. J.
3. Duw de accu verder naar voren totdat deze op z'n plaats klikt.
4. Herhaal dit voor het uitnemen van de andere accu (23).
5. Sluit de klep (19) van het accucompartiment.

De accu van de machine verwijderen (Afb. A, J)

1. Open de klep van het accucompartiment (19).
2. Haal de accu (23) uit het accucompartiment (20), zoals wordt getoond in Afb. J.
3. Herhaal dit voor het uitnemen van de andere accu (23).

De laadstatus van de accu controleren (Afb. K)

- Druk kort op de knop (24) op de accu om de laadstatus van de accu te controleren.
- Op de accu bevinden zich 3 lampjes die het laadniveau aangeven. Hoe meer lampjes branden, des te meer is de accu opgeladen.
- Wanneer de lampjes niet branden, wil dit zeggen dat de accu leeg is en onmiddellijk moet worden opgeladen.

De accu laden met de acculader CD802AA (Afb. K)

1. Haal de accu (23) uit de machine.
2. Draai de accu (23) ondersteboven en schuif deze op de acculader (26), zoals is weergegeven in Afb. E.
3. Duw op de accu tot deze volledig in de sleuf zit.
4. Steek de stekker van de acculader in een stopcontact en wacht even. De Led-lampjes op de acculader (27) gaan branden en tonen de status van de lader.

De acculader heeft 2 led-controlelampjes (27) dat de status van het laadproces aangeeft:

Status rode LED	Status groene LED	Status van acculader
Uit	Uit	Geen stroom
Uit	Aan	Standby mode: - Geen accu geplaatst, of - Opladen van de accu is beëindigd, de accu is volledig opgeladen
Aan	Uit	Bezig met opladen van accu

- Het kan tot 60 minuten duren voordat de 2Ah accu volledig is opgeladen.
- Het kan tot 120 minuten duren voordat de 4Ah accu volledig is opgeladen.

Verwijder, als de accu volledig is opgeladen, de stekker van de acculader uit het stopcontact en haal de accu uit de acculader.



Wanneer deze machine gedurende een langere tijd niet wordt gebruikt, is het raadzaam de accu te bewaren in opgeladen toestand.

De accu opladen met de dubbele lader CD820AA (Afb. L)

1. Haal de accu (26) uit de machine.
2. Draai de accu (26) ondersteboven en schuif deze op de acculader (30), zoals is weergegeven in Afb. L.
3. Duw op de accu tot deze volledig in de sleuf zit.
4. Steek de stekker van de acculader in een stopcontact en wacht even. De Led-lampjes op de

acculader (31, 32, 33) gaan branden en tonen de status van de lader.

De acculader heeft 6 led-controlelampjes (31, 32, 33) dat de status van het laadproces aangeeft:

Onderwerp	Voorwaarden	Led-kleur		
		Rood	Amber	Groen
Stand-by	Stroomvoorziening ingeschakeld	Aan	Aan	Aan
Aan het laden	Het laden is begonnen (10-19V DC±0.5V DC)	Knip-peren	Uit	Uit
	Halverwege het laden (19-20V DC±0.5V DC)	Aan	Knip-peren	Uit
	Het laden is gereed (20-21V DC±0.5V DC)	Aan	Aan	Knip-peren
Volledig geladen	Druppellading ≤300±150mA	Aan	Aan	Aan
	Stoppen met het laden			
Hoge temperatuur	Bescherming van de accu tegen hoge temperaturen	Aan	Aan	Aan

- Het kan tot 45 minuten duren voordat de 2Ah accu volledig is opgeladen.
- Het kan tot 85 minuten duren voordat de 4Ah accu volledig is opgeladen.

Verwijder, als de accu volledig is opgeladen, de stekker van de acculader uit het stopcontact en haal de accu uit de acculader.



Wanneer deze machine gedurende een langere tijd niet wordt gebruikt, is het raadzaam de accu te bewaren in opgeladen toestand.

De onderste handgreep monteren (Afb. A, B)

1. Steek de onderste handgreep (14) in het daarvoor bestemde gat in de gazonmaaier, zoals wordt getoond in Afb. B. Let erop dat de onderste handgreep (14) uitkomt tegenover het gat in de behuizing van de gazonmaaier.
2. Steek de schroef in het gat en draai de schroef naar rechts vast, zoals wordt getoond in Afb. B.
3. Herhaal deze stappen voor de andere onderste handgreep (14).

De bovenste handgreep monteren (Afb. A, C, D)

1. Bevestig de bovenste handgreep (1) op de onderste handgreep (14), met de meegeleverde bouten (15B) en handgreepknoppen (15A), zoals wordt getoond in afbeelding C. Let erop dat de veiligheidsschakelaar (3) aan de rechterzijde moet zitten wanneer u achter de gazonmaaier staat.
2. Zet de kabel met de kabelhouders (6) vast op de handgreep, zoals wordt getoond in afbeelding D.

NB: Wanneer de handgreepknoppen (15A) zijn losgedraaid, kunt u de bovenste handgreep (1) omlaag klappen en de gazonmaaier opbergen. Let erop dat de elektriciteitskabel niet bekneld raakt.

Het monteren van de grasopvangbak (Afd. A, E, F, G, H)



De gazonmaaier mag niet worden gebruikt wanneer niet de gehele grasopvangbak of de beschermkap is geplaatst.

U kunt de gazonmaaier met en zonder de grasopvangbak gebruiken. Bedenk wel dat wanneer u maait zonder de grasopvangbak, de deksel (11) van de grasopvangbak omlaag moet staan. Werk niet met de maaimachine terwijl de deksel van de uitwerpopening omhoog staat.

1. Voeg de twee helften van de grasopvangmand (10) samen, zoals wordt getoond in afbeelding E.
2. Monteer de kap (12) van de grasopvangbak op de grasopvangmand (10), die in elkaar is gezet, zoals wordt getoond in afbeelding F.
3. Monteer de draaghandgreep (16) van de grasopvangbak op de grasopvangmand (12), zoals wordt getoond in afbeelding G.
4. Afbeelding H toont de op een juiste manier gemonteerde grasopvangbak.
5. Licht de deksel (11) van de grasopvangbak op en bevestig de grasopvangbak, die in elkaar is gezet, op de gazonmaaier. Controleer dat de inkepingen in de grasopvangbak goed tegenover de houders op de behuizing van de gazonmaaier uitkomen.

NB: de grasopvangbak is voorzien van een grasniveau-indicator (13), die laat zien hoeveel gemaaid gras er in de bak zit. Zolang de grasopvangbak niet vol is, blijft de indicator geopend. Wanneer de grasopvangbak vol is, sluit de indicator zich. U moet

dan onmiddellijk stoppen met grasmaaien en de grasopvangbak leegmaken. De indicator is slechts een ruwe indicatie en de functionaliteit ervan hangt af van de toestand in de grasopvangbak.

Het maaiblad vervangen (Afb. A, M)



Verwijder de accu voordat u werkzaamheden aan het elektrisch gereedschap gaat uitvoeren.



Draag beschermende handschoenen wanneer u het maaiblad vervangt. Gevaar voor persoonlijk letsel wanneer u het maaiblad aanraakt.



Gebruik alleen bladen die door de fabrikant worden aanbevolen.

1. De grasopvangbak verwijderen.
2. Draai de maaimachine op z'n kant.
3. Houd het maaiblad stevig vast, terwijl u de beschermende handschoenen draagt.
4. Draai vervolgens de bevestigingsschroef van het maaiblad naar links los, zoals wordt getoond in Afb. P.
5. Het maaiblad vervangen of slijpen.
6. Plaats het maaiblad en volg daarbij de hierboven beschreven procedure in omgekeerde volgorde (gaten in het maaiblad moeten op de pennen van de as worden gezet).
7. U kunt het slijpen en vervangen van het maaiblad het beste overlaten aan een gekwalificeerd iemand. Er kunnen het beste alleen originele onderdelen worden gebruikt. Alle defecten moeten worden gerepareerd door een door de fabrikant geautoriseerde servicewerkplaats.

4. BEDIENING



Voer altijd een visuele inspectie uit voordat u het gereedschap gebruikt, om te zien of de snijbladen, de bouten van de snijbladen en het zwaard niet versleten of beschadigd zijn. Neem de accu uit het tuingereedschap. Vervang versleten of beschadigde bladen en bouten in sets, zodat het gereedschap in balans blijft. Vervang versleten of beschadigde snijbladen en bouten in sets, zodat het gereedschap in balans blijft.



Als de machine abnormaal begint te trillen (voor onmiddellijk een inspectie uit):

- voor een inspectie uit op beschadigingen,
- vervang of repareer eventuele beschadigde onderdelen,
- voer een inspectie uit op losse onderdelen en zet ze vast.



Schakel de machine onmiddellijk uit in de volgende gevallen:

- wanneer u de machine onbeheerd achterlaat,
- voor uw blokkeringen verhelpt of de uitstort vrijmaakt,
- voordat u de machine controleert, schoonmaakt of er werkzaamheden aan verricht,
- nadat u een vreemd voorwerp hebt geraakt. Inspecteer de machine op beschadiging en voer reparaties uit voor u de machine weer start en bedient.



Ga voorzichtig te werk bij het afstellen van de machine zodat u voorkomt dat uw vingers bekneld raken tussen de bewegende maaibladen en de vaste onderdelen van de machine.

De maaihoogte instellen (Afb. A, I)



Schakel de machine uit, wacht tot de bladen volledig stilstaan en neem de accu uit. Risico persoonlijk letsel.

Afhankelijk van de maaihoogte die uw voorkeur heeft kunt u de hoogte van de wielen in een van de vijf standen instellen. Stel de maaihoogte in op basis van wat voor uw gazon noodzakelijk is. De maaihoogte is afhankelijk van het soort gazon en de daadwerkelijke hoogte van het gras. Als hoog gras wordt gemaaid, begin dan met de maximale maaihoogte en gebruik een lagere maaihoogte als u voor de tweede keer het gazon maait. Voor de eerste maaibeurt in het seizoen kunt u het beste een hogere maaihoogte selecteren.

1. Trek de hendel voor de hoogtestelling (17) uit (weg van de behuizing van de machine) zoals wordt getoond in afbeelding I.
2. Terwijl de hendel voor de hoogtestelling (17) in de uitgetrokken stand wordt gehouden, duwt u deze naar voren of naar achteren om de gewenste maaihoogte in te stellen.

3. Laat de hendel (17) los en controleer of deze op de juiste manier in de sleuf werd vergrendeld.

NB: Er zijn 5 maaihoogtes beschikbaar: 30 mm, 40 mm, 50 mm, 60 mm, 70 mm.

De machine in-/uitschakelen (Afb. A, N)



Voorafgaand aan het starten van de machine, moet de machine op een vlak oppervlak, zonder hoog gras, worden geplaatst.



Maak de onderkant van de machine schoon, voordat de machine wordt ingeschakeld.



Houd uw voeten uit de buurt van de bladen.



Het product niet kantelen als de motor wordt gestart.

1. Controleer of de veiligheidssleutel (21) in de daarvoor bestemde locatie, onder de klep van het accucompartiment (19) is ingestoken.
2. U kunt de machine starten door op de veiligheidsknop (3) te drukken en deze knop ingedrukt te houden en op de AAN/UIT-schakelaar (2) te drukken. U kunt, terwijl u de AAN/UIT schakelaar (2) vasthoudt, de veiligheidsknop (3) loslaten.
3. U kunt de machine stoppen door de AAN/UIT-schakelaar (2) los te laten, wacht vervolgens tot het maaiblad tot stilstand is gekomen.

De maaier bedienen (Afb. A, O)



Zorg er te allen tijde voor dat een veilige afstand (aangegeven door de lengte van de lange handgrepen) tussen de gebruiker en de behuizing van de gazonmaaier wordt aangehouden.



Zorg voor extra alertheid bij het maaien en het veranderen van de richting op hellingen en stijgende of dalende oppervlakken. Zorg dat een solide stand behouden blijft en draag stevige, slipvrije schoenen en een lange broek. Maai altijd langs de helling en niet omhoog en omlaag. Omwille van de veiligheid mag de gazonmaaier niet worden gebruikt voor het maaien van hellingen met een stijgingspercentage van meer dan 15°.



Wees extra alert bij het naar achteren lopen en het trekken van de gazonmaaier. Struikelgevaar!

Vóór gebruik

- Controleer of het gazon geen stenen, takken, draden/kabels of andere vreemde objecten bevat die het product of componenten daarvan kunnen beschadigen.
- Geen nat gazon maaien, omdat nat gras de neiging heeft om aan de onderkant van de behuizing van de gazonmaaier vast te blijven kleven, zodat het op de juiste manier afvoeren van gemaaid gras wordt voorkomen en omdat dan het risico bestaat dat u kunt uitglijden en vallen.
- Voor een gezond gazon, mag u nooit meer dan een derde van de totale hoogte van het gras maaien. In de herfst moeten gazons alleen worden gemaaid als het gras nog groeit.
- Duw het product geleidelijk voorwaarts, voer hierbij geen kracht uit.
- Maai het gazon in iets overlappende rijen. Het meest effectieve is een gemaaid gazon waar geen enkele plek is overgeslagen, zoals getoond in afbeelding O.
- Maak een cirkel rondom bloemperken. Als een bloemperk in het midden van het gazon aanwezig is, kunt u twee cirkels rondom het bloemperk maaien.
- Wees extra alert bij het veranderen van de richting.
- Maai altijd langs de helling (niet omhoog en omlaag). U kunt voorkomen dat de gazonmaaier omlaag gaat glijden, door een positie aan te houden die schuin omhoog gaat.
- Stel de maaihoogte in op basis van de hoogte van het gras. Maai een aantal keren, om te voorkomen dat in een enkele keer te veel gras wordt gemaaid.
- Maak de grasopvangbak regelmatig schoon.

NB: De gebruikstijd van de oplaadbare accu's en als gevolg daarvan het aantal vierkante meters dat met een enkele lading van de accu's kan worden gemaaid, is in hoge mate afhankelijk van de status van het gras (zoals dichtheid, vocht, hoogte, maaihoogte, enz.) en de maaisnelheid (loopsnelheid). Om het aantal te maaien vierkante meters aan uw behoeften aan te passen, wordt geadviseerd om vaker te maaien, met een hogere maaihoogte en op een daarvoor geschikte snelheid. Het regelmatig aan-

uitschakelen van de gazonmaaier tijdens het maaien zal ook het aantal vierkante meters beperken dat u kunt maaien. Als de gebruikstijd met de oplaadbare accu's (het aantal vierkante meter) ondanks bovenstaande maatregelen nog steeds niet afdoende is, kunt u het probleem oplossen door oplaadbare accu's met een grote vermogen (Ah) te gebruiken.

Na gebruik

1. Na gebruik, dient het product uitgeschakeld te worden en dient de veiligheidssleutel (21) ontkoppeld te worden.
2. Verwijder de accu's (23).
3. Controleer en reinig het product en berg het op zoals beschreven in het hoofdstuk 'Onderhoud'.

5. ONDERHOUD



Schakel de machine uit, wacht tot de bladen volledig stilstaan en neem de accu uit. Risico persoonlijk letsel.

Schoonmaken

De maaimachine is zo ontworpen dat zij met een minimum aan onderhoud lange tijd dienst kan doen. Voortdurend gebruik naar tevredenheid is afhankelijk van de juiste verzorging van de maaimachine en regelmatige reiniging.

- Houd de maaimachine schoon en droog.
- Verwijder regelmatig met een botte schraper gras en vuil van de maaimachine.
- Maak de maaimachine schoon met slechts een milde zeepoplossing en een vochtige doek. Laat nooit vloeistoffen in het gereedschap doordringen en dompel nooit een onderdeel van het gereedschap onder in vloeistof. Gebruik nooit een schoonmaakmiddel op basis van een oplosmiddel of een schuurmiddel.

Stop het mes(sen) als de machine gekanteld moet worden voor vervoer bij het oversteken van andere oppervlakken dan gras, en bij het transporteren van de machine van en naar het te gebruiken gebied. Start de machine niet terwijl u voor de afvoer opening.

Opslag

Berg de machine pas op wanneer deze is afgekoeld. Vervang voor uw veiligheid versleten of beschadigde onderdelen. Gebruik alleen oorspronkelijke vervangende onderdelen en accessoires.

1. Voorafgaand aan het opbergen, dient het product uitgeschakeld te worden, de veiligheidssleutel (21) ontkoppeld te worden en de accu's (23) uitgenomen te worden.
2. Reinig het product zoals bovenstaand beschreven.
3. Het product en de bijbehorende accessoires op een donkere, droge, vorstvrije, goed geventileerde plaats opbergen. De ideale opslagtemperatuur is tussen 10 °C en 30 °C.
4. Het product altijd op een voor kinderen ontoegankelijke locatie opbergen.
5. Wij adviseren het gebruik van de oorspronkelijke verpakking voor de opslag, of het afdekken van het product met een daarvoor geschikte doek of in een daarvoor geschikte kast om het tegen stof te beschermen.

Transport

1. Voorafgaand aan het transport, dient het product uitgeschakeld te worden, de veiligheidssleutel (21) ontkoppeld te worden en de accu's (23) uitgenomen te worden.
2. Vervoer het product te allen tijde via de draaghandgreep voor het transport (7).
3. Bescherm het product tegen krachtige schokken en intense trillingen, die tijdens het transport in voertuigen kunnen optreden.
4. Bevestig het product, zodat het niet kan wegglijden of omvallen en tegen schade en letsel.

MILIEU



Defecte en/of afgedankte elektrische of elektronische gereedschappen dienen ter verwerking te worden aangeboden aan een daarvoor verantwoordelijke instantie.

Uitsluitend voor EG-landen

Werp elektrisch gereedschap niet weg bij het huisvuil. Conform de Europese Richtlijn 2012/19/EG voor Afgedankte Elektrische en Elektronische Apparatuur en de implementatie ervan in nationaal recht moet niet langer te gebruiken elektrisch gereedschap gescheiden worden verzameld en op een milieuvriendelijke wijze worden verwerkt.

GARANTIE

VONROC producten zijn ontworpen volgens de hoogste kwaliteitsstandaarden en gegarandeerd vrij van defecten, zowel materieel als fabrieksfouten, tijdens de wettelijk vastgestelde garantieperiode vanaf de eerste aankoopdatum. Mocht het product tijdens deze periode gebreken vertonen veroorzaakt door defecte materialen en/of fabrieksfouten, neem dan rechtstreeks contact op met VONROC.

De volgende situaties vallen niet onder de garantie:

- Er zijn reparaties of aanpassingen aan de machine uitgevoerd, of er is een poging daartoe ondernomen, door een niet-geautoriseerd servicecentrum.
- Normale slijtage.
- De machine is misbruikt, verkeerd gebruikt of slecht onderhouden.
- Er zijn niet-originele reserveonderdelen gebruikt.

Dit vormt de enige garantie opgesteld door het bedrijf zowel expliciet als impliciet. Er bestaan geen andere garanties expliciet of impliciet welke verder gaan dan deze garantie, inclusief impliciete garanties van verkoopbaarheid en geschiktheid voor bepaalde doeleinden. In geen enkel geval kan VONROC aansprakelijk worden gesteld voor incidentele schade of gevolgschade. Reparaties van dealers zijn gelimiteerd tot de reparatie of vervanging van defecte producten of onderdelen.

Het product en de gebruikershandleiding zijn onderhevig aan wijzigingen. Specificaties kunnen zonder opgave van redenen worden gewijzigd.

1. CONSIGNES DE SECURITE



En plus des avertissements de sécurité suivants, veuillez également lire les avertissements de sécurité additionnels

ainsi que les instructions. Le non-respect des avertissements de sécurité et des instructions peut entraîner une décharge électrique, un incendie et/ou des blessures graves. **Veillez conserver les avertissements de sécurité et les instructions pour consultation ultérieure.**

Les symboles suivants sont utilisés dans le manuel d'utilisation ou apposés sur le produit:



Lisez le manuel d'utilisation.



Risque de blessures.



Risque de décharge électrique.



Portez des protections auditives.



Porter une protection oculaire



Attention : Ne touchez pas les lames rotatives. Lame(s) tranchante(s). Attention à ne pas vous couper les orteils ou les doigts. Veillez à maintenir les personnes à proximité et notamment les enfants et les animaux, à plus de 10 m de distance.



La tondeuse ne doit pas être utilisée sans le bac à herbe ou le carter de protection.



Ne pas utiliser sous la pluie ni laisser la tondeuse à l'extérieur en cas de pluie.



Éteignez la machine et retirez la clé de sécurité (interrupteur de coupure) avant d'entreprendre toute opération de réglage ou de nettoyage et avant de laisser le produit sans surveillance même brièvement.



N'utilisez que des batteries disposant du même niveau de charge. Ne mélangez jamais des batteries pleines avec des batteries à moitié déchargées. Veillez à toujours recharger les deux batteries en même temps. L'autonomie de l'équipement

dépend de la batterie la moins pleine. Les deux batteries doivent toujours être complètement rechargées avant l'utilisation. Veuillez à bien réinstaller le cache-batterie avant l'utilisation.



Attendez que tous les composants de la machine se soient complètement arrêtés avant de les toucher. Les lames continuent à tourner après l'extinction de la machine et elles peuvent occasionner des blessures.



Veillez à ce que les personnes à proximité ne puissent pas être blessées par la projection de corps étrangers.



Avertissement : Veuillez à conserver une certaine distance de sécurité quand vous utilisez le produit.



Contrôlez soigneusement l'absence d'animaux, domestiques ou non, dans la zone où sera utilisée la machine. Les animaux pourraient être blessés par la machine en marche. Contrôlez parfaitement la zone de travail et retirez en toutes les pierres, les bâtons, les fils métalliques, les os et les corps étrangers. En utilisant la machine, veillez à ce qu'il n'y ait aucun animal ou petite souche d'arbre cachés dans les herbes denses.



N'utilisez le chargeur de batterie qu'à l'intérieur.



Respecter toutes les directives européennes correspondantes.



Ne jetez pas le produit dans des conteneurs qui ne sont pas prévus à cet effet.



Le niveau de puissance sonore garanti LWA= 96 dB(A)

CONSIGNES GÉNÉRALES DE SÉCURITÉ



AVERTISSEMENT! Veuillez lire l'intégralité des avertissements de sécurité et des instructions. Le nonrespect de toutes les instructions indiquées cidessous peut entraîner un risque de choc électrique, d'incendie et/ou de blessures graves.

Conservez ces instructions.

Le terme "appareil électrique" mentionné dans tous les avertissements cidessous se rapporte à un appareil électrique qui se branche au réseau électrique (grâce à un câble d'alimentation) ou à un appareil électrique (sans fil) fonctionnant grâce à une batterie.

1) Espace de travail

- a) **Veillez toujours à garder votre espace de travail propre et bien éclairé.** Les espaces mal rangés et sombres peuvent être la cause d'accidents.
- b) **N'utilisez pas les appareils électriques dans des environnements susceptibles d'explosion, par exemple en présence de liquides inflammables, de gaz ou de particules.** Les appareils électriques provoquent des étincelles qui peuvent enflammer les particules des émanations.
- c) **Veillez à garder éloignés les enfants et les personnes se trouvant dans votre voisinage, lors de l'utilisation d'un appareil électrique.** Les distractions peuvent vous faire perdre le contrôle de l'appareil.

2) Mesures de sécurité électriques

- a) **Les prises des appareils électriques doivent être raccordées à la prise murale correspondante. Ne modifiez jamais la prise de l'appareil, de quelque façon que ce soit. N'utilisez pas d'adaptateurs qui mettent les appareils électriques à la terre (mise à la masse).** Des prises non modifiées et branchées à la prise murale correspondante réduiront les risques de choc électrique.
- b) **Évitez le contact direct avec les surfaces mises à la terre ou mises à la masse comme les canalisations, les radiateurs, les cuisinières et les réfrigérateurs.** En effet, le risque de choc électrique s'accrut si votre corps est mis à la terre ou à la masse.
- c) **N'utilisez pas d'outils électriques dans des environnements pluvieux ou humides.** Si de l'eau s'introduit dans un appareil électrique, le risque de choc électrique augmentera.
- d) **N'utilisez pas le câble de manière abusive. N'utilisez jamais le câble pour transporter, tirer ou débrancher l'appareil électrique. Veillez à garder le câble éloigné des sources de chaleur, des huiles, des rebords coupants ou des pièces actionnées.** Les câbles endommagés ou entremêlés augmentent le risque de choc électrique.

- e) **Lorsque un appareil est utilisé à l'extérieur, utilisez uniquement un câble prolongateur prévu à cet effet.** L'utilisation d'un câble à usage extérieur réduit le risque de choc électrique.
- f) **Si vous êtes contraint d'utiliser un outil électrique dans un environnement humide, utilisez une alimentation protégée par un dispositif à courant résiduel (RCD).** L'utilisation d'un RCD réduit le risque de décharge électrique.
- 3) Sécurité personnelle**
- a) **Restez vigilant, gardez un œil sur ce que vous faites et utilisez votre sens commun lors de l'utilisation d'un appareil électrique. N'utilisez pas un appareil électrique si vous êtes fatigué ou si vous êtes sous l'influence de drogues, d'alcool ou si vous prenez des médicaments.** Un moment d'inattention lors de l'utilisation des appareils électriques peut entraîner des blessures graves.
- b) **Utilisez un équipement de protection personnelle. Protégez-vous toujours les yeux.** Les équipements de protection, tels qu'un masque à poussière, des chaussures antidérapantes, des protections auditives ou un casque de sécurité, utilisés dans de bonnes conditions, réduiront le risque de blessures.
- c) **Prévenez tout démarrage involontaire. Assurez-vous que l'interrupteur est sur la position "arrêt avant de brancher l'appareil.** En effet, le transport des appareils électriques en gardant vos doigts sur l'interrupteur, ou le branchement de ces appareils en ayant l'interrupteur sur "marche accidents.
- d) **Retirez les clés de réglage ou les clés de vis de réglage avant d'allumer l'appareil électrique.** Une clé de vis de réglage ou une clé, laissée sur une pièce en mouvement de l'appareil électrique, peut entraîner des lésions corporelles.
- e) **Ne pas se précipiter. Gardez toujours vos pieds à plat et gardez votre équilibre.** Ceci permet de mieux contrôler l'appareil électrique dans des situations imprévues.
- f) **Habillez-vous convenablement. Ne portez pas de vêtements lâches ou de bijoux. Gardez vos cheveux, vêtements et gants éloignés des pièces actionnées.** En effet, ces derniers peuvent être pris dans les pièces en action.
- g) **Si les appareils sont fournis pour la connexion des équipements d'évacuation et de récupération de la poussière, assurez-vous que ces derniers soient correctement connectés et utilisés.** L'utilisation de ces appareils peut réduire les risques liés à la poussière.
- h) **Ne pensez pas être familiarisé avec l'outil après l'avoir utilisé à de nombreuses reprises, au point de ne plus rester vigilant et d'en oublier les consignes de sécurité.** Toute action imprudente peut engendrer de graves blessures en une fraction de seconde.
- 4) Utilisation et entretien d'un appareil électrique**
- a) **Ne forcez pas l'appareil électrique. Utilisez l'appareil électrique adéquat pour votre application.** Un appareil électrique correctement choisi assurera un meilleur travail et un travail sans danger, au rythme auquel il a été conçu.
- b) **N'utilisez pas l'appareil électrique si l'interrupteur marche/arrêt ne fonctionne pas.** Un appareil électrique qui ne peut pas être commandé par l'interrupteur de contrôle est dangereux et doit être réparé.
- c) **Débranchez la prise du bloc d'alimentation avant d'effectuer des réglages, de changer des accessoires, ou de ranger les appareils électriques.** Ces mesures de sécurité préventives réduiront le risque de démarrage involontaire de l'appareil électrique.
- d) **Rangez les appareils électriques arrêtés hors de la portée des enfants et ne laissez aucune personne, non familiarisée avec l'outil ou ces instructions, utiliser l'appareil électrique.** Les appareils électriques sont dangereux entre les mains d'utilisateurs non formés.
- e) **Entretenez les appareils électriques. Vérifiez tout défaut d'alignement et l'enchaînement des pièces actionnées, la rupture de ces dernières, et les autres conditions qui peuvent affecter le fonctionnement des appareils électriques. En cas de dommages, faites réparer l'appareil électrique avant de le réutiliser.** Nombreux sont les accidents provoqués par des appareils électriques mal entretenus.
- f) **Veillez à garder les outils coupants aiguisés et propres.** Des outils coupants correctement entretenus avec des lames aiguisées sont moins susceptibles de se bloquer et sont plus faciles à contrôler.
- g) **Utilisez l'appareil électrique, les accessoires et les embouts, etc., conformément à ces instructions et de la manière prévue pour le type spécifique de l'appareil électrique, en prenant en compte les conditions de travail et**

le travail à effectuer. L'utilisation de l'appareil électrique dans des applications différentes de celles prévues peut entraîner des situations dangereuses.

- h) **Gardez les poignées et les surfaces de préhension sèches, propres et exemptes d'huile et de graisse.** Des poignées et des surfaces de préhension glissantes ne permettent pas de manipuler et de contrôler l'outil correctement en cas de situations inattendues.
- h) **Gardez les poignées et les surfaces de préhension sèches, propres et exemptes d'huile et de graisse.** Des poignées et des surfaces de préhension glissantes ne permettent pas de manipuler et de contrôler l'outil correctement en cas de situations inattendues.
- 5) **Utiliser et soigner les outils à batterie**
- a) **Rechargez la batterie uniquement avec le chargeur spécifié par le fabricant.** Un chargeur adapté à une certaine batterie peut être cause de danger d'incendie quand on l'utilise avec une batterie différente.
- b) **Utilisez chaque outil uniquement avec la batterie conçue pour lui.** L'utilisation de toute autre batterie peut être cause de danger de blessure ou d'incendie.
- c) **Lorsque une batterie n'est pas en usage, gardez-la hors d'atteinte d'objets métalliques tels que les trombones, pièces de monnaie, clés, clous, vis et autres petits objets métalliques pouvant faire le contact entre une borne et l'autre.** Un court-circuit entre les bornes de la batterie peut être cause de brûlures ou d'incendie.
- d) **Dans des circonstances extrêmes, du liquide peut gicler hors de la batterie ; évitez tout contact. En cas de contact accidentel, rincez à l'eau. En cas de contact du liquide avec les yeux, consultez un médecin.** Le liquide qui giclé d'une batterie peut causer irritations ou brûlures.
- e) **N'utilisez pas un bloc-batterie ou un outil endommagé ou modifié.** Une batterie endommagée ou altérée peut avoir un comportement imprévisible qui peut conduire à un incendie, une explosion ou un risque de blessure.
- f) **N'exposez pas le bloc-batterie ou l'outil au feu ou à des températures excessives.** L'exposition au feu ou à des températures dépassant 130 °C peut provoquer une explosion. REMARQUE La température de "130°C" peut être remplacé par la température de "265°F".

- g) **Respectez les instructions pour la charge et ne rechargez pas le bloc-batterie ou l'outil à une plage de températures hors de celle spécifiée dans les instructions.** Une charge mal effectuée ou à des températures hors de la plage spécifiée peut endommager la batterie et augmente le risque d'incendie.
- 6) **Maintenance**
- a) **L'entretien de votre outil électrique doit être confié à un réparateur qualifié qui utilise uniquement des pièces de rechange identiques aux pièces d'origine.** Cela permet d'assurer la sécurité de l'outil électrique.
- b) **Ne réparez jamais des blocs-batteries endommagés.** Les réparations sur les blocs-batteries ne doivent être effectuées que par le fabricant ou l'un de ses prestataires de services agréés

CONSIGNES DE SÉCURITÉ SUPPLÉMENTAIRES PROPRES AUX TONDEUSES À GAZON SUR BATTERIE

- Ne laissez jamais les enfants et les personnes ne connaissant pas ces instructions utiliser le produit. Il est possible que la réglementation locale impose des restrictions quant à l'âge de l'utilisateur. Lorsqu'il n'est pas utilisé, rangez le produit hors de portée des enfants.
- Ne laissez jamais, les enfants ou les personnes ayant des capacités physiques, sensorielles ou intellectuelles réduites ou qui manquent d'expérience et de connaissances ou qui ne se sont pas familiarisées avec ces instructions, utiliser le produit. Il est possible que la réglementation locale impose des restrictions quant à l'âge de l'utilisateur.
- Les enfants doivent être surveillés afin de garantir qu'ils ne jouent pas avec le produit.
- Ne travaillez jamais si des personnes, et notamment des enfants ou des animaux, sont à proximité.
- L'utilisateur est responsable des accidents subis et des risques encourus par les autres personnes et leurs biens.
- Ne portez jamais de chaussures ouvertes en caoutchouc ou de sandales pour utiliser le produit. Veillez à toujours porter des chaussures solides et des pantalons à jambes longues. Ne portez pas de pieds-nus.
- Contrôlez parfaitement dans laquelle la machine sera utilisée et retirez-en toutes les pierres, les

bâtons, les fils métalliques, les os et les autres corps étrangers.

- Avant l'utilisation, procédez toujours à une inspection visuelle afin de contrôler que les lames, les boulons des lames et le bloc de coupe ne sont ni usés, ni endommagés. Veillez à toujours remplacer les lames et les boulons usés ou endommagés en même temps pour préserver l'équilibre.
- Ne tondez que de jour ou avec un excellent éclairage artificiel.
- Évitez de tondre si les conditions météorologiques sont mauvaises et tout particulièrement lorsqu'il y a un risque de foudre.
- Évitez si possible d'utiliser la machine dans de l'herbe mouillée.
- Veillez à toujours marcher et à ne pas courir.
- Ne faites jamais fonctionner la machine si les carters ou les boucliers sont défectueux et sans que tous les dispositifs de sécurité soient installés, déflecteurs et/ou bac de récupération, etc.
- Nous vous conseillons de porter des protections auditives pour améliorer votre confort.
- Ne faites jamais fonctionner le produit si vous êtes fatigué, malade ou sous l'influence d'alcool, de drogue ou de médicaments.
- Travaillez sur des talus peut être dangereux :
 - Ne tondez pas dans des zones très en pente.
 - Veillez à toujours conserver une bonne posture, un bon ancrage au sol, quand vous êtes en pente ou dans l'herbe mouillée.
 - Ne tondez jamais face à une pente, jamais de haut en bas.
 - Soyez extrêmement prudent aux changements de direction quand vous êtes en pente.
- Soyez extrêmement prudent en reculant ou en tirant la machine vers vous.
- Ne tondez jamais en tirant la machine vers vous.
- Attendez que les lames se soient complètement arrêté de tourner si la machine doit être penchée pour la transporter, pour traverser des surfaces autres que de l'herbe et pour transporter la machine d'une zone à tondre à une autre.
- Ne penchez pas la machine pour démarrer le moteur.
- Démarrez le moteur conformément aux instructions et en gardant vos pieds bien éloignés des pièces rotatives.
- Ne placez pas vos mains et vos pieds près ou sous les pièces rotatives.
- Tenez-vous toujours loin de la descente d'évacuation quand vous utilisez la machine.
- Ne soulevez et ne portez jamais la machine si le moteur est en marche.
- Pour ranger la machine, veillez à ce que les quatre roues reposent correctement sur le sol.
- Ne soulevez l'outil de jardinage que par sa poignée de transport. Utilisez la poignée de transport avec soin.
- Ne modifiez pas la machine. Toute modification non autorisée peut altérer la sûreté de votre machine, entraîner l'émission de bruit ou de vibrations et diminuer les performances.
- Retirez la clé de sécurité (interrupteur de coupure) :
 - Lorsque vous quittez la machine.
 - Avant de supprimer un bouchage.
 - Avant toute opération de vérification, de nettoyage et avant d'intervenir sur la machine.
 - Après avoir heurté un corps étranger. Contrôlez l'absence de dommages sur la machine et remplacez la lame si nécessaire.
 - Si la machine se met à vibrer de façon anormale (contrôlez-la immédiatement).

AVERTISSEMENTS DE SECURITE POUR L'ACCU

- a) **Ne pas ouvrir l'accu.** Risque de court-circuit.
- b) **Protéger l'accu de toute source de chaleur, comme p. ex. l'exposition directe au soleil, au feu, à l'eau et à l'humidité.** Il y a risque d'explosion.
- c) **En cas d'endommagement et d'utilisation non conforme de l'accu, des vapeurs peuvent s'échapper. Ventilier le lieu de travail et, en cas de malaises, consulter un médecin.** Les vapeurs peuvent entraîner des irritations des voies respiratoires.
- d) **N'utilisez l'accumulateur qu'avec votre produit Vonroc.** Ceci protège l'accumulateur contre une surcharge dangereuse.
- e) **Les objets pointus comme un clou ou un tournevis et le fait d'exercer une force extérieure sur le boîtier risque d'endommager l'accu.** Il peut en résulter un court-circuit interne et l'accu risque de s'enflammer, de dégager des fumées, d'exploser ou de surchauffer.

AVERTISSEMENTS DE SECURITE POUR LE CHARGEUR

Utilisation prévue

Chargez uniquement à l'aide de la batterie Li-ion rechargeable CD801AA un CD803AA. Tout autre type de batterie est susceptible d'éclater et de provoquer des blessures et des dommages matériels.

- a) **L'appareil n'est pas destiné à être utilisé par des personnes (notamment des enfants) souffrant de déficiences physiques, sensorielles ou mentales, ou par des personnes inexpérimentées ou non formées. Toute utilisation doit se faire sous la surveillance d'une personne responsable et avec les instructions appropriées.**
- b) **Même sous surveillance, les enfants ne doivent pas jouer avec l'appareil.**
- c) **Ne rechargez pas les batteries non rechargeables!**
- d) **Veuillez effectuer la recharge des batteries dans un endroit bien ventilé!**



Cet appareil peut être utilisé par des enfants âgés de 8 ans et plus et par des personnes aux capacités physiques, sensorielles ou mentales réduites, ou qui manquent d'expérience et de connaissance, à condition qu'ils soient supervisés ou qu'ils aient été formés sur la façon sûre d'utiliser l'appareil et qu'ils comprennent les risques encourus. Les enfants ne doivent pas jouer avec l'appareil. Le nettoyage et les opérations de maintenance à réaliser par l'utilisateur ne doivent pas être exécutés par des enfants sans surveillance.

Sécurité électrique



Vérifiez si la tension d'alimentation électrique correspond bien à celle de la plaque signalétique.

- N'utilisez pas la machine si le câble secteur ou la fiche secteur est endommagé.
- Utilisez uniquement des rallonges adaptées à la puissance nominale de la machine et d'une section minimum de 1.5 mm². Si vous utilisez une bobine de rallonge, déroulez toujours complètement le câble.

2. INFORMATIONS RELATIVES A LA MACHINE

Utilisation prévue

Ce produit a été conçu pour la tonte des environnements domestiques. La tondeuse à gazon n'est prévue que pour les jardins des habitations privées. La tondeuse à gazon ne doit pas être utilisée pour tailler les buissons, les haies ou les arbustes, pour couper pour couper la végétation dense, les toits végétaux ou l'herbe des balcons, pour nettoyer (aspirer) la saleté et les débris des allées ou pour hacher les arbres ou les débris de haie. De plus, la tondeuse à gazon ne doit pas être utilisée comme équipement pour tailler les zones hautes des topiaires. L'équipement ne doit être utilisé que pour l'usage auquel il a été destiné. Toute autre utilisation est considérée comme une utilisation incorrecte.


SPECIFICATIONS TECHNIQUES





Ce manuel a été élaboré pour plusieurs kits / numéros d'articles différents. Consultez le numéro d'article correspondant à votre produit dans le tableau des caractéristiques qui suit pour obtenir la composition et le contenu corrects de votre kit.


N° de modèle	Batteries incluses	Chargeur inclus
LM504DC	-	-
S2_LM504DC	2 x CD801AA	2 x CD802AA
S4_LM504DC	2 x CD803AA	2 x CD802AA or 1 x CD820AA

MACHINE	
N° de modèle	LM504DC
Tension	40V (2 x 20V)
Vitesse à vide	3400/min
Largeur de coupe	330 mm
Hauteur de coupe	30/40/50/60/70mm
Capacité du bac de ramassage	30 L
Poids	8.5 kg
Niveau de protection	IPX1
Pression sonore (L _{pa})	71.4dB(A), K=2.35dB(A)
Puissance sonore (L _{wa})	91.4dB(A), K=2.35dB(A)
Valeurs de vibrations	<2.5m/s ² , K=1.5m/s ²

BATTERIE	
N° de modèle	CD801AA
Type de batterie	Lithium-Ion
Tension	20V 
Capacité	2.0 Ah
Chargeurs recommandés	CD802AA, CD820AA
Poids	0.3 kg

N° de modèle	CD803AA
Type de batterie	Lithium-Ion
Tension	20V 
Capacité	4.0 Ah
Chargeurs recommandés	CD802AA, CD820AA
Poids	0.65 kg

CHARGEUR	
N° de modèle	CD802AA
Entrée chargeur	220-240V, 50Hz 0.4A
Sortie chargeur	21V  2.5A
Durée de charge 2Ah Batterie	60 minutes
Durée de charge 4Ah Batterie	120 minutes
Accus recommandés	CD801AA, CD803AA
Poids	0.36 kg

N° de modèle	CD820AA
Entrée chargeur	220-240V, 50-60Hz, 200W
Sortie chargeur	21V  2.3A, <3.8A
Durée de charge 2Ah Batterie	45 minutes
Durée de charge 4Ah Batterie	85 minutes
Accus recommandés	CD801AA, CD803AA
Poids	0.81 kg

N'utilisez que les batteries suivantes de la plateforme Batterie VONROC VPOWER 20V. L'utilisation de toute autre batterie pourrait provoquer de graves blessures ou endommager l'outil.

CD801AA 20V, 2Ah Lithium-Ion
 CD803AA 20V, 4Ah Lithium-Ion

Le chargeur suivant peut être utilisé pour recharger ces batteries.

CD802AA Chargeur rapide
 CD820AA Chargeur rapide double

Les batteries de la plateforme Batterie VONROC VPOWER 20V sont interchangeables pour tous les outils de la plateforme Batterie VONROC VPOWER 20V.

Niveau de vibrations

Le niveau des vibrations émises, indiqué dans ce manuel, a été mesuré conformément à la procédure décrite par la norme EN60335. Il peut être utilisé pour comparer deux outils ou pour réaliser une estimation préalable de l'exposition aux vibrations lors de l'utilisation de l'outil pour les applications mentionnées:

- L'utilisation de l'outil dans d'autres applications ou avec des accessoires différents ou mal entretenus peut considérablement augmenter le niveau d'exposition;
- La mise hors tension de l'outil et sa non-utilisation pendant qu'il est allumé peuvent considérablement réduire le niveau d'exposition.

Protégez-vous contre les effets des vibrations par un entretien correct de l'outil et de ses accessoires, en vous échauffant les mains et en organisant vos rythmes de travail.

DESCRIPTION

Les numéros dans le texte se rapportent aux schémas des pages 2-6.

- Poignée supérieure
- Interrupteur marche/arrêt
- Bouton de sécurité
- Câble d'alimentation
- Machine
- Porte-câble
- Poignée de transport
- Roue Enjoleur
- Panier du bac à herbe
- Couvercle du bac à herbe
- Cache du bac à herbe
- Indicateur de niveau d'herbe
- Poignée inférieure
- Bouton de réglage de la poignée
- Boulon pour le bouton
- Poignée de transport du bac à herbe
- Lévier de réglage de la hauteur
- Sortie de l'herbe

19. Cache du compartiment de la batterie
20. Bac de la batterie
21. Clé de sécurité (interrupteur de coupure)
22. Bouton de libération de la batterie
23. Batterie
24. Bouton indicateur de batterie
25. Indicateur de charge de la batterie
26. Chargeur
27. Témoins lumineux du chargeur
28. Lame
29. Boulon de lame
30. Chargeur
31. Indicateur à LED du chargeur vert
32. Indicateur à LED du chargeur ambre
33. Indicateur à LED du chargeur rouge

3. MONTAGE



Avant d'intervenir d'une quelconque façon sur l'outil électrique, retirez la batterie.



La machine doit être rechargée avant la première utilisation.



Avertissement : N'utilisez que des batteries disposant du même niveau de charge. Ne mélangez jamais des batteries pleines avec des batteries à moitié déchargées. Veillez à toujours recharger les deux batteries en même temps. L'autonomie de l'équipement dépend de la batterie la moins pleine. Les deux batteries doivent toujours être complètement rechargées avant l'utilisation.

Insertion de la batterie dans la machine (Fig. A, J)



Verifiez que la surface extérieure de la batterie est propre et sèche avant de brancher le chargeur ou la machine. Veillez à bien réinstaller le cache-batterie avant l'utilisation.

1. Ouvrez le cache du compartiment à batteries (19).
2. Insérez la batterie (23) dans le rack de la batterie (20) comme illustré par la Fig. J.
3. Enfoncez la batterie jusqu'à ce qu'elle s'enclenche en place.
4. Répétez cette opération avec l'autre batterie (23).
5. Refermez le cache du compartiment à batteries (19).

Retrait de la batterie de la machine (Fig. A, J)

1. Ouvrez le cache du compartiment à batteries (19).
2. Tirez la batterie (23) hors du rack de la batterie (20) comme illustré par la Fig. J.
3. Répétez cette opération avec l'autre batterie (23).

Contrôle de l'état de charge de la batterie (Fig. K)

- Pour vérifier l'état de charge de la batterie, appuyez brièvement sur le bouton (24) de la batterie.
- Trois voyants indiquent le niveau de charge de la batterie. Plus il y a de voyants allumés, plus la charge est importante.
- Lorsque les voyants sont éteints cela indique que la batterie est vide et qu'elle doit être rechargée immédiatement.

Recharge de la batterie avec le chargeur CD802AA (Fig. K)

1. Retirez la batterie (23) de la machine.
2. Retournez la batterie (23) et faites-la glisser dans le chargeur (26), comme illustre à la Fig. K.
3. Enfoncez la batterie tout au fond du logement.
4. Branchez la fiche du chargeur dans une prise électrique et patientez. Les indicateurs à LED sur le chargeur (27) s'allument et indiquent l'état du chargeur.

Le chargeur possède deux indicateurs à LED (27) qui indique l'état du processus de charge:

État de l'indicateur à LED rouge	État de l'indicateur à LED vert	État du chargeur
Éteint	Éteint	Aucune alimentation
Éteint	Allumé	Mode veille: - Aucune batterie n'est insérée ou - La batterie est insérée, mais la charge s'est achevée
Allumé	Éteint	Batterie en cours de charge

- Il faut compter jusqu'à 60 minutes pour recharger complètement la batterie 2Ah.
- Il faut compter jusqu'à 120 minutes pour recharger complètement la batterie 4Ah.

Lorsque la batterie est entièrement chargée, débranchez le chargeur de la prise secteur et retirez la batterie du chargeur.

Lorsque la batterie est entièrement chargée, débranchez le chargeur de la prise secteur et retirez la batterie du chargeur.



Quand la machine n'est pas utilisée pendant une période prolongée, il est préférable d'entreposer la batterie rechargée.



Quand la machine n'est pas utilisée pendant une période prolongée, il est préférable d'entreposer la batterie rechargée.

Recharger la batterie à l'aide du chargeur double CD820AA (Fig. L)

1. Retirez la batterie (26) de la machine.
2. Retournez la batterie (26) et faites-la glisser dans le chargeur (30), comme illustre a la Fig. L.
3. Enfoncez la batterie tout au fond du logement.
4. Branchez la fiche du chargeur dans une prise électrique et patientez. Les indicateurs à LED sur le chargeur (31, 32, 33) s'allument et indiquent l'état du chargeur.

Assembler la poignée inférieure (Fig. A, B)

1. Insérez la poignée inférieure (14) dans le trou prévu sur le corps de la tondeuse à gazon, comme illustré par la figure B. Veillez à ce que le trou dans la poignée inférieure (14) soit correctement aligné avec le trou dans le corps de la tondeuse.
2. Insérez la vis dans le trou et serrez en tournant dans le sens des aiguilles d'une montre, comme illustré par la figure B.
3. Répétez ces étapes pour l'autre poignée inférieure (14).

Le chargeur possède six indicateurs à LED (31, 32, 33) qui indique l'état du processus de charge:

Élément	État	Couleur du voyant		
		Rouge	Ambre	Vert
Veille	En marche	Allumé	Allumé	Allumé
En charge	Début de charge (10-19V DC±0.5V DC)	Clignotant	Éteint	Éteint
	Mi-Charge (19-20V DC±0.5V DC)	Allumé	Clignotant	Éteint
	Fin de charge (20-21V DC±0.5V DC)	Allumé	Allumé	Clignotant
Charge terminée	Charge de maintien ≤300±150mA	Allumé	Allumé	Allumé
	Arrêt de la charge			
Température trop élevée	Protection contre la surchauffe de la batterie fonctionne	Allumé	Allumé	Allumé

Installer la poignée supérieure (Fig. A, C, D)

1. Fixez la poignée supérieure (1) à la poignée inférieure (14) à l'aide des boulons (15B) et des boutons de poignée (15A) fournis, comme illustré par la figure C. Veillez à ce que l'ensemble Interrupteur de sécurité (3) se trouve du côté droit lorsque vous êtes derrière la tondeuse.
2. Fixez le câble sur la poignée à l'aide du support de câble (6), comme illustré par la figure D.

Remarque : Lorsque les boutons de poignée (15A) sont desserrés, la poignée supérieure (1) peut être repliée vers le bas pour ranger la tondeuse. Veillez à ne pas coincer le câble électrique.

Assembler et installer le bac à herbe (Fig. A, E, F, G, H)



La tondeuse à gazon ne doit pas être utilisée si le bac de récupération ou le carter ne sont pas en place.

- Il faut compter jusqu'à 45 minutes pour recharger complètement la batterie 2Ah.
- Il faut compter jusqu'à 85 minutes pour recharger complètement la batterie 4Ah.

La tondeuse peut être utilisée avec ou sans le bac à herbe. Rappelez-vous cependant que si vous tondez sans le bac à herbe, vous devez abaisser le couvercle du bac à herbe (11). Ne faites pas fonctionner la tondeuse si le couvercle de la descente d'évacuation est soulevé.

1. Assemblez les deux moitiés du panier du bac à herbe (10), comme illustré par la figure E.

2. Installez le cache du bac à herbe (12) sur le panier du bac à herbe assemblé (10), comme illustré par la figure F.
3. Installez la poignée de transport du bac à herbe (16) sur le cache du bac à herbe (12), comme illustré par la figure G.
4. La figure H montre le bac à herbe correctement installé.
5. Relevez le couvercle du bac à herbe (11) et fixez le bac à herbe assemblé sur la tondeuse. Veillez à ce que les encoches dans le bac à herbe soient correctement alignées avec les supports sur le corps de la tondeuse.

Remarque : Le bac à herbe est équipé d'un indicateur du niveau d'herbe (13), qui indique la quantité d'herbe tondue. Tant que le bac à herbe n'est pas plein, l'indicateur reste ouvert. Quand le bac à herbe est plein, l'indicateur se ferme. Dans ce cas, il est impératif d'arrêter immédiatement la tonte et de vider le bac à herbe. Cet indicateur est approximatif. Son fonctionnement dépend de l'état de l'herbe à l'intérieur du panier.

Remplacer la lame (Fig. A, M)



Avant d'intervenir d'une quelconque façon sur l'outil électrique, retirez la batterie.



Portez des gants de protection pour remplacer la lame. Risque de blessure en cas de contact avec la lame.



N'utilisez que des lames recommandées par le fabricant.

1. Retirez le bac à herbe.
2. Tournez la tondeuse sur le côté.
3. Tenez fermement la lame avec des gants de protection.
4. Tournez la vis qui fixe la lame dans le sens inverse des aiguilles d'une montre pour la desserrer, comme illustré par la Fig. P.
5. Remplacez ou affûtez la lame.
6. Installez la lame, utilisez la procédure décrite ci-dessus dans l'ordre inverse (les trous de la lame doivent être positionnés sur les goupilles de l'axe).
7. Il est préférable de confier l'affûtage ou le remplacement de la lame à une personne qualifiée. N'utilisez que des pièces d'origine.

Tous les défauts doivent être corrigés dans un atelier de réparation agréé par le fabricant.

4. FONCTIONNEMENT



Avant l'utilisation, toujours effectuer une inspection visuelle pour vérifier que les lames, les boulons de lame et l'assemblage de coupe ne sont pas usés ni endommagés. Veuillez retirer la batterie de l'outil. Veillez à toujours remplacer les lames et les boulons usés ou endommagés en même temps pour préserver l'équilibre. Remplacer les lames et boulons usés ou endommagés en bloc pour maintenir l'équilibre.



Si la machine se met à vibrer anormalement (contrôlez immédiatement) :

- Contrôlez l'absence de dommages,
- Faites remplacer ou réparer les pièces endommagées,
- Contrôlez le serrage de toutes les pièces.



Éteignez immédiatement la machine :

- Quand vous quittez la machine,
- Avant de supprimer un bourrage dans la chute,
- Avant toute opération de vérification, de nettoyage et avant d'intervenir d'une quelconque façon sur la machine,
- Après avoir heurté un corps étranger. Contrôlez l'absence de dommage sur la machine et faites effectuer les réparations avant de redémarrer et de réutiliser la machine .



Soyez vigilant pour régler la machine afin de ne pas vous coincer les doigts entre les lames et les pièces fixes de la machine.

Régler la hauteur de coupe (Fig. A, I)



Éteignez l'équipement, attendez que la lame se soit arrêtée et retirez la batterie. Il existe sinon un risque de blessure.

En fonction de la hauteur de coupe voulue, vous pouvez positionner le levier de réglage de la hauteur de coupe en fonction des besoins de votre pelouse. La hauteur de coupe dépend du type de pelouse et de sa hauteur. Pour tondre une

pelouse haute, commencez à la hauteur de coupe maximum et effectuez une seconde tonte à une hauteur de coupe plus basse. Vous devez toujours commencer par une hauteur de coupe plus haute pour la première tonte de la saison.

1. Tirez le levier de réglage de la hauteur (17) vers l'extérieur (en l'éloignant du corps de la machine), comme illustré par la figure I.
2. Tout en tenant le levier de réglage de la hauteur (17) en position extérieure, poussez-le vers l'avant ou vers l'arrière jusqu'à avoir atteint le réglage de hauteur voulu.
3. Relâchez le levier (17) et veillez à ce qu'il s'enclenche correctement dans la fente.

REMARQUE : Cinq niveaux de hauteur de coupe sont possibles : 30mm, 40mm, 50mm, 60mm, 70mm.

Mettre en marche et éteindre la machine (Fig. A, N)



Avant de commencer, placez le produit sur une surface plane, sans herbe haute.



Nettoyez le dessous du plateau de coupe avant de mettre la machine en marche.



Gardez vos pieds bien éloignés de la lame.



Ne penchez pas le produit pour démarrer le moteur.

1. Veillez à ce que la clé de sécurité (21) soit bien insérée dans son emplacement sous le cache-batterie (19)
2. Pour démarrer la machine, maintenez le bouton de sécurité (3) enfoncé et appuyez sur l'interrupteur Marche/Arrêt (2). En gardant l'interrupteur Marche/Arrêt (2) enfoncé, vous pouvez relâcher le bouton de sécurité (3).
3. Pour éteindre la machine, relâchez l'interrupteur Marche/Arrêt (2) et attendez que la lame s'arrête de tourner.

Utiliser la tondeuse (Fig. A, O)



Veillez toujours à conserver une distance de sécurité (de la longueur des poignées longues) entre vous et le corps de la machine.



Soyez particulièrement vigilant lorsque vous tondez et que vous changez de direction en montée et en descente. Gardez vos pieds bien ancrés en sol et portez des chaussures solides, antidérapantes et un pantalon à jambes longues. Veillez à toujours tondre le long des pentes (et pas de haut en bas). Pour des raisons de sécurité, la tondeuse ne doit pas servir à tondre sur des pentes de plus de 15 degrés.



Soyez particulièrement vigilant quand vous reculez et que vous tirez la tondeuse. Risque de déboucher !

Avant l'utilisation

- Veillez à ce que la pelouse ne contienne pas de pierres, de bâtons, de fils métalliques ou tout autre objet qui pourrait endommager le produit.
- Ne tondez pas d'herbe mouillée car elle a tendance à s'agglutiner sous le produit et à empêcher la bonne évacuation des déchets de tonte, en plus de risquer de vous faire glisser ou tomber.
- Pour la bonne santé de votre pelouse, veillez à ne jamais la tondre à plus d'un tiers de sa hauteur totale. En automne, les pelouses ne doivent être tondues que si elles poussent.
- Poussez lentement le produit vers l'avant, sans forcer.
- Tondez en chevauchant légèrement les passes. C'est le moyen le plus efficace pour que toute la pelouse soit tondue sans en oublier, comme illustré par la figure O.
- Cercle autour des massifs de fleurs. Si vous atteignez un massif de fleurs au milieu de la pelouse, tondez une rangée ou deux autour du massif.
- Soyez particulièrement vigilant en changeant de direction.
- Veillez à toujours tondre le long des pentes (et pas de haut en bas). Vous pouvez empêcher la tondeuse de glisser vers le bas en la gardant inclinée vers le haut.
- Choisissez la hauteur de coupe en fonction de la hauteur de la pelouse. Effectuez plusieurs passages afin de ne pas tondre trop d'herbe à la fois.
- Videz le bac à herbe régulièrement.

Remarque : L'autonomie des batteries rechargeables et donc la surface en mètres carrés pouvant être tondue à l'aide d'une charge de batteries dépendent beaucoup de l'état de la pelouse (ex : densité, humidité, hauteur, hauteur de coupe, etc.) et de la vitesse à laquelle vous tondez (votre vitesse en marchant). Afin d'adapter la surface couverte en fonction de vos propres besoins, il est conseillé de tondre plus souvent, plus haut et à une vitesse appropriée. Le fait de trop souvent mettre en marche et éteindre l'équipement en tondant réduit également l'autonomie et donc la surface couverte. Si l'autonomie des batteries rechargeables et la surface couverte ne vous satisfont toujours pas malgré les mesures ci-dessus, vous pouvez résoudre le problème en utilisant des batteries rechargeables de plus grande capacité (Ah).

Après l'utilisation

1. Après l'utilisation, éteignez le produit et retirez la clé de sécurité (21).
2. Retirez les blocs-batteries (23).
3. Inspectez, nettoyez et rangez le produit de la façon décrite dans le chapitre "Maintenance".

5. ENTRETIEN



Éteignez l'équipement, attendez que la lame se soit arrêtée et retirez la batterie. Il existe sinon un risque de blessure.

Nettoyage

Cette tondeuse a été conçue pour fonctionner longtemps avec un entretien minimal. Le fonctionnement satisfaisant continu dépend d'un entretien correct de la tondeuse et d'un nettoyage régulier.

- Tenir la tondeuse propre et sèche.
- Utiliser régulièrement un racloir pour éliminer l'herbe et la saleté de la tondeuse.
- Pour nettoyer la tondeuse, utiliser uniquement du savon neutre et un chiffon humide. Ne ja mais laisser aucun liquide pénétrer dans l'outil et ne jamais plonger aucune partie de l'outil dans un liquide. Ne pas utiliser de détergent abrasif ou à base de solvant.

Arrêtez la ou les lame(s) si la machine doit être inclinée pendant transport en traversant des surfaces autres que l'herbe, et lors du transport de la machine vers et depuis la zone à utiliser. Ne démarrez pas la machine en vous tenant devant le ouverture de décharge.

Rangement

Laissez toujours refroidir la machine avant de la ranger. Remplacez toutes les pièces usées ou endommagées. N'utilisez que des pièces détachées et des accessoires d'origine.

1. Éteignez le produit, retirez la clé de sécurité (21) et retirez le bloc-batterie (23) avant de ranger l'équipement.
2. Nettoyez le produit de la façon décrite plus haut.
3. Rangez le produit et ses accessoires dans un endroit sombre, sec, hors-gel et bien aéré. La température idéale du lieu de rangement est comprise entre 10 °C et 30 °C.
4. Veillez toujours à ranger le produit dans un endroit inaccessible pour les enfants.
5. Nous vous conseillons d'utiliser l'emballage d'origine pour ranger le produit ou de le couvrir avec un linge ou un cache pour le protéger de la poussière.

Transport

1. Éteignez le produit, retirez la clé de sécurité (21) et retirez le bloc-batterie (23) avant de transporter l'équipement où que ce soit.
2. Veillez à toujours transporter le produit par sa poignée de transport (7).
3. Protégez le produit des chocs violents et des fortes vibrations qui pourraient avoir lieu dans les véhicules pendant le transport.
4. Attachez le produit pour l'empêcher de glisser et de basculer et pour empêcher les dommages et les blessures.

ENVIRONNEMENT



Les équipements électroniques ou électriques défectueux ou destinés à être mis au rebut doivent être déposés aux points de recyclage appropriés.

Uniquement pour les pays de l'UE

Ne jetez pas les outils électriques avec les déchets domestiques. Selon la Directive européenne 2012/19/ CE relative aux déchets d'équipements électriques et électroniques et sa mise en oeuvre dans le droit national, les outils électriques hors d'usage doivent être collectés séparément et mis au rebut de manière écologique.

GARANTIE

Les produits VONROC sont développés aux plus hauts standards de qualité et ils sont garantis contre les défauts de pièces et de main d'oeuvre pendant la durée légale stipulée à partir de la date d'achat d'origine du produit. En cas d'une quelconque panne du produit pendant cette durée qui serait due à un défaut matériel et/ou de main d'oeuvre, contactez directement VONROC.

Les circonstances suivantes ne sont pas prises en charge par la garantie:

- Des réparations ou altérations ont été effectuées ou tentées sur la machine par un centre de réparation non agréé.
- L'usure normale.
- L'outil a été maltraité, mal utilisé ou mal entretenu.
- Des pièces détachées non d'origine ont été utilisées.

Ceci constitue l'unique garantie accordée par la société explicitement ou implicitement. Il n'existe aucune autre garantie, explicite ou implicite, qui peut s'étendre au delà du contenu ici présent, y compris les garanties marchandes ou d'adaptation à des fins particulières. En aucun cas VONROC ne sera tenu responsable de dommages accidentels ou consécutifs. Les solutions proposées par les revendeurs devront se limiter à la réparation ou le remplacement des éléments ou pièces non conformes.

Le produit et le manuel d'utilisation sont sujets à modifications. Les spécifications peuvent changer sans préavis.

1. INSTRUCCIONES DE SEGURIDAD



Lea las advertencias de seguridad, las advertencias de seguridad adicionales y las instrucciones adjuntas. De no respetarse las advertencias de seguridad y las instrucciones, podrían producirse descargas eléctricas, incendios y/o lesiones graves. **Conserve las advertencias de seguridad y las instrucciones para su posterior consulta.**

Los siguientes símbolos se utilizan en el manual de usuario o en el producto:



Lea el manual de usuario.



Riesgo de lesiones personales.



Riesgo de descarga eléctrica.



Use protectores auditivos.



Lleve protección visual



Cuidado: No toque las cuchillas giratorias. Cuchilla(s) afilada(s). Tenga cuidado de no cortarse los dedos de los pies o de las manos. Mantenga a terceros, especialmente a niños y mascotas, a una distancia superior a 10 m.



El cortacésped no debe utilizarse sin no tiene colocada la caja colector de césped o el protector.



No utilice el cortacésped bajo la lluvia ni lo deje al aire libre cuando llueva.



Desconecte y retire la llave de seguridad (seccionador) antes de ajustar o limpiar el producto y antes de dejarlo sin vigilancia durante cualquier periodo de tiempo.



Utilice solo baterías que estén cargadas al mismo nivel. Nunca combine baterías totalmente cargadas y a medio cargar. Cargue siempre las dos baterías simultáneamente. El tiempo de funcionamiento del equipo depende de la batería con el nivel de carga más bajo. Las dos baterías deben estar siempre totalmente cargadas antes

de usar el producto. Cierre la tapa del alojamiento de las baterías antes del uso.



Espera a que todos los componentes de la máquina se detengan por completo antes de tocarlos. Las cuchillas siguen girando después de apagar la máquina y pueden causar lesiones.



Asegúrese de que las personas que se encuentren cerca no resulten lesionadas por la proyección de objetos extraños.



Advertencia: Manténgase a una distancia segura del producto cuando lo use.



Controle con cuidado la zona en la que vaya a utilizar la herramienta para asegurarse de que no haya animales silvestres ni mascotas. Los animales silvestres y las mascotas pueden resultar lesionados durante el funcionamiento de la máquina. Controle minuciosamente la zona de trabajo y retire las piedras, palos, cables, huesos y objetos extraños que pudiese haber. Cuando utilice la máquina, compruebe que no haya animales silvestres, mascotas o pequeños tocones de árboles escondidos entre la hierba densa.



Utilice el cargador de baterías solo en interiores.



Cumple con todas las directivas europeas pertinentes.



No tire el producto en contenedores no apropiados.



Nivel de potencia sonora garantizado LWA = 96 dB(A)

INSTRUCCIONES GENERALES DE SEGURIDAD



PRECAUCIÓN! Lea todas las advertencias de seguridad y todas las instrucciones.

Si no lo hace, el uso indebido puede acarrear cortocircuitos, fuego o lesiones graves.

Conserve estas instrucciones.

El término "herramienta eléctrica", en todas las advertencias enumeradas a continuación se refiere a su herramienta eléctrica (í nalámbrica) que funciona con una batería o a través de la red eléctrica.

1) Área de trabajo

- Trabaje en un lugar limpio y bien iluminado.** Lugares no iluminados o sucios propician accidentes.
- No use herramientas eléctricas donde haya riesgo de fuego o explosión, p.ej: cerca de líquidos o gases inflamables, polvo etc.** Las herramientas eléctricas producen chispas que pueden producir la ignición de partículas de humo.
- Mantenga a los niños y otras personas alejados mientras utiliza la herramienta eléctrica.** Las distracciones pueden hacer que pierda el control de la herramienta.

2) Seguridad eléctrica

- Cerciórese de que las clavijas de la herramienta eléctrica están correctamente enchufadas. Nunca modifique la clavija. No utilice ningún adaptador para la clavija de una herramienta eléctrica con conexión a tierra.** Las clavijas que no se hayan cambiado y los enchufes adecuados reducen el riesgo de cortocircuitos.
- Evite el contacto humano con superficies con conexiones a tierra como tubos metálicos, conductos, tubos de la calefacción, radiadores y refrigeradores.** El riesgo de cortocircuitos es mayor cuando el cuerpo está en contacto con el suelo.
- No use herramientas eléctricas bajo la lluvia o en entornos húmedos.** Si entra agua en una herramienta eléctrica aumenta el riesgo de cortocircuito.
- No utilice el cable para todo. Nunca utilice el cable para mover la máquina, empujarla o sacar la clavija del enchufe. Mantenga el cable alejado del calor, aceite, zonas cortantes o piezas en movimiento.** Los cables dañados o enredados aumentan el riesgo de cortocircuito.
- Use un cable alargador impermeable adecuado para exteriores cuando trabaje con la herramienta eléctrica al aire libre.** El riesgo de cortocircuito es menor si utiliza un cable alargador adecuado para exteriores.
- Si no se puede evitar el uso de la herramienta eléctrica en un lugar húmedo, use suministro protegido mediante dispositivo diferencial re-**

sidual (DDR). El uso de un DDR reduce el riesgo de choque eléctrico.

- h) **No permita que la familiaridad adquirida con el uso frecuente de las herramientas le haga confiarse e ignorar los principios de seguridad de las herramientas.** Una acción descuidada puede causar lesiones graves en una fracción de segundo.
- 3) **Seguridad personal**
- a) **No se descuide, preste atención a lo que está haciendo y utilice el sentido común mientras trabaje con esta herramienta. No use herramientas eléctricas cuando esté cansado o esté bajo los efectos del alcohol, las drogas o los medicamentos.** Un momento de distracción, mientras utilice la herramienta eléctrica, puede provocar lesiones personales graves.
- b) **Use equipo de protección individual. Use siempre gafas protectoras.** El uso en condiciones apropiadas del equipo de seguridad como por ejemplo: mascarilla antipolvo, zapatos antideslizantes de seguridad, casco o protección para los oídos, disminuye el riesgo de sufrir lesiones personales.
- c) **Evite arranques involuntarios. Asegúrese de que el interruptor está en la posición de apagado antes de conectarlo a la fuente de electricidad.** Transportar herramientas eléctricas con el dedo puesto sobre el interruptor o enchufarlas con el interruptor encendido puede causar accidentes.
- d) **Quite cualquier llave de ajuste antes de encender la herramienta eléctrica.** Una llave olvidada junto a una pieza móvil de la herramienta eléctrica puede provocar lesiones personales graves.
- e) **No se estire demasiado. Mantenga siempre el equilibrio y tenga los pies en el suelo.** Esto permite un mayor control de la herramienta eléctrica en situaciones inesperadas.
- f) **Vístase apropiadamente. No lleve prendas holgadas o joyas. Mantenga su pelo, ropa y guantes alejados de las piezas móviles.** Las prendas holgadas, las joyas y el pelo largo pueden quedar atrapados en las piezas móviles.
- g) **Si se han suministrado dispositivos para la extracción y recogida de polvo asegúrese de que estos estén conectados y se utilicen correctamente.** El uso de estos dispositivos puede reducir los riesgos relacionados con el polvo.
- h) **Mantenga las asas y las superficies de agarre secas, limpias y libres de aceite y grasa.** Las asas y las superficies de agarre resbaladizas

no permiten un manejo y control seguros de la herramienta en situaciones inesperadas.

- 4) **Utilización y cuidados de la herramienta eléctrica**
- a) **No fuerce la herramienta eléctrica. Utilice la herramienta eléctrica adecuada para el trabajo que vaya a realizar.** Una herramienta eléctrica apropiada realizará un trabajo mejor y más seguro si se utiliza para el objetivo con el que ha sido diseñada.
- b) **No use herramientas que no pueden encenderse o apagarse con el interruptor.** Las herramientas que ya no se puedan encender y apagar son peligrosas y deben repararse.
- c) **Desenchufe la clavija de la toma de electricidad antes de realizar modificaciones, cambiar accesorios o guardar las herramientas eléctricas.** Tales medidas de seguridad preventivas reducen el riesgo de la puesta en marcha accidental.
- d) **Mantenga a los niños alejados de una herramienta eléctrica sin utilizar y no permita a personas que no estén familiarizadas con la máquina o estas instrucciones utilizar la herramienta.** La herramienta eléctrica puede ser peligrosa cuando la utilicen personas sin experiencia.
- e) **Conserve sus herramientas cuidadosamente. Verifique cualquier desalineación o agarramiento de piezas móviles, piezas dañadas y cualquier otra causa, que pudiera repercutir en el buen funcionamiento de la herramienta eléctrica. Si la herramienta está estropeada, repárela antes de utilizarla.** Muchos de los accidentes están causados por un mantenimiento insuficiente del equipo eléctrico.
- f) **Mantenga las herramientas de corte limpias y afiladas.** Sierras con esquinas cortantes con un buen mantenimiento se bloquean menos y son más fáciles de controlar.
- g) **Utilice la herramienta eléctrica, accesorios y brocas etc. Siguiendo las instrucciones atendiendo al tipo de herramienta eléctrica y tenga en cuenta las condiciones de trabajo y el tipo de trabajo que se va a realizar.** Puede ser peligroso realizar trabajos con la herramienta diferentes de aquellos para los que está diseñada.
- 5) **Uso y cuidado de las herramientas alimentadas por batería**
- a) **Recargue las baterías únicamente con el cargador recomendado por el fabricante.** Un cargador que es apto para un tipo de baterías

determinado puede provocar riesgo de incendio si se usa para cargar otra clase de baterías.

- b) **Use las herramientas eléctricas sólo con las baterías indicadas específicamente.** El uso de otra clase de baterías diferente puede ocasionar el riesgo de derivar en lesiones o un incendio.
 - c) **Cuando el paquete de baterías no esté en uso, consérvelo retirado de objetos metálicos como sujetapapeles, monedas, llaves, clavos, tornillos o cualquier otro objeto metálico pequeño que pueda hacer puente entre las terminales.** El contacto entre las terminales de la batería puede causar quemaduras o incendio.
 - d) **Bajo condiciones extremas de abuso la batería podría expulsar un líquido; evite todo contacto. Si se produjese contacto accidentalmente, lávese bien con agua. Si el líquido hace contacto con los ojos, consulte también al médico.** El líquido emanado de la batería puede causar irritaciones o quemaduras.
 - e) **No utilice una batería o una herramienta que esté dañada o modificada.** Las baterías dañadas o modificadas pueden presentar un comportamiento impredecible y provocar un incendio, una explosión o riesgo de lesiones.
 - f) **No exponga una batería o una herramienta al fuego o a temperatura excesiva.** La exposición al fuego o a temperaturas superiores a 130 °C puede provocar una explosión. **NOTA** La temperatura "130 °C" puede sustituirse por la temperatura "265 °F".
 - g) **Siga todas las instrucciones de carga y no cargue la batería o la herramienta fuera del rango de temperatura especificado en las instrucciones.** La carga incorrecta o a temperaturas fuera del rango especificado puede causar daños a la batería y aumentar el riesgo de incendio.
- 6) Servicio**
- a) **Haga reparar su herramienta eléctrica por una persona cualificada, usando solo piezas de repuesto idénticas.** Esto garantiza que se mantenga la seguridad de la herramienta eléctrica.
 - b) **Nunca repare las baterías dañadas.** El mantenimiento de las baterías debe ser realizado solo por el fabricante o los proveedores de servicio autorizados.

ADVERTENCIAS DE SEGURIDAD PARA LA BATERÍA

- a) **No abra la batería.** Existe peligro de cortocircuito.
- b) **Proteja la batería del calor, p. ej., de la luz solar intensa continua, los incendios, el agua y la humedad.** Peligro de explosión.
- c) **En caso de daño y uso incorrecto de la batería, esta puede emitir vapores. Ventile el área y consulte un médico si se siente mal.** Los vapores pueden irritar el sistema respiratorio.
- d) **Utilice la batería solo junto con su producto Vonroc.** Esta medida protege la batería de sobrecargas peligrosas.
- e) **La batería se puede dañar con objetos puntia-gudos como clavos o destornilladores o si se somete a alguna fuerza exterior.** Puede producirse un cortocircuito interno que dé lugar a que la batería se incendie, emita humo, explote o se sobrecaliente.

TRADVERTENCIAS DE SEGURIDAD PARA EL CARGADOR

Uso previsto

Cargue solo las baterías recargables CD801AA y CD803AA con el cargador. Otros tipos de baterías pueden estallar y causar lesiones y daños.

- a) **El aparato no debe ser usado por personas (incluidos niños) con capacidad física, sensorial o mental reducida, o que no tengan experiencia o conocimientos suficientes, salvo que hayan sido capacitadas o estén bajo supervisión.**
- b) **Controle que los niños no jueguen con el aparato.**
- c) **No recargue baterías no recargables.**
- d) **Durante la carga, las baterías deben colocarse en un lugar bien ventilado.**



Este aparato puede ser utilizado por niños a partir de 8 años de edad y por personas con capacidades físicas, sensoriales o mentales reducidas o que carezcan de experiencia y conocimientos, si están supervisadas o capacitadas sobre el uso del aparato de modo seguro y si comprenden los peligros que supone. Los niños no deben jugar con el aparato. La limpieza y el mantenimiento de usuario no deben ser efectuados por niños, sin supervisión.

Seguridad eléctrica



Compruebe siempre que la tensión del suministro eléctrico corresponda con la tensión de la placa de características.

- No utilice la máquina si el cable o el enchufe eléctrico han sufrido daños.
- Utilice únicamente cables alargadores que sean adecuados para la potencia nominal de la máquina con un grosor mínimo de 1.5 mm². Si utiliza un cable alargador en rollo, desenrolle totalmente el cable.

INSTRUCCIONES DE SEGURIDAD ADICIONALES PARA CORTACÉSPEDES DE BATERÍA

- Nunca permita que niños o personas que no estén familiarizadas con estas instrucciones usen el producto. Las normas locales pueden restringir la edad del operador. Cuando no use el producto guárdelo fuera del alcance de los niños.
- Nunca permita que niños, personas con limitaciones físicas, sensoriales o mentales o con falta de experiencia y/o conocimientos y/o personas que no estén familiarizadas con estas instrucciones utilicen el producto. Las normas locales pueden restringir la edad del operador.
- Los niños siempre deben estar vigilados para constatar que no jueguen con el producto.
- Nunca utilice el producto si hay personas, especialmente niños, o mascotas cerca.
- El usuario es responsable de los accidentes o peligros que puedan ocurrir a otras personas o a su propiedad.
- No use zapatos de goma abiertos o sandalias cuando use el producto. Lleve siempre calzado resistente y pantalones largos. No use el producto estando descalzo.
- Inspeccione minuciosamente la zona donde vaya a utilizar la máquina y retire todas las piedras, palos, alambres, huesos y otros objetos extraños.
- Antes del uso, inspeccione siempre visualmente para comprobar que las cuchillas, los pernos de las cuchillas y el bloque de corte no estén desgastados o dañados. Sustituya las cuchillas y los pernos desgastados o dañados en juegos, para preservar el equilibrio.
- Corte el césped solo a la luz del día o con una buena luz artificial.
- Evite cortar el césped si hay mal tiempo, especialmente en caso de riesgo de rayos.
- Evite utilizar la máquina sobre el césped húmedo, siempre que sea posible.
- Camine, nunca corra.
- Nunca utilice la máquina si tiene las protecciones o pantallas defectuosas, o si no tiene colocados los dispositivos de seguridad, p. ej., desviadores y/o colectores de hierba.
- Le aconsejamos llevar protección auditiva para su comodidad.
- Nunca utilice el producto si está cansado, enfermo o bajo los efectos de alcohol, medicamentos o drogas.
- Trabajar en pendientes puede ser peligroso:
 - No corte el césped en pendientes demasiado pronunciadas.
 - Asegúrese siempre de tener un buen apoyo en las pendientes o en la hierba húmeda.
 - Corte el césped transversalmente a la superficie de las laderas, nunca hacia arriba ni hacia abajo.
 - Tenga extremo cuidado cuando cambie de dirección en las pendientes.
- Tenga extremo cuidado cuando retroceda o tire de la máquina hacia usted.
- Nunca corte el césped tirando de la máquina hacia usted.
- Espere a que se detengan las cuchillas si debe inclinar la máquina para transportarla para atravesar superficies distintas al césped, y para transportarla desde y hacia la zona en que vaya a cortar el césped.
- No incline la máquina cuando arranque o al encender el motor.
- Encienda el motor de acuerdo con las instrucciones, teniendo los pies bien alejados de las partes giratorias.
- No ponga las manos ni los pies cerca ni debajo de las piezas giratorias.
- Manténgase siempre alejado de la zona de descarga cuando utilice la máquina.
- Nunca levante ni transporte la máquina si tiene el motor en marcha.
- Cuando guarde el aparato de jardinería, compruebe que las 4 ruedas estén apoyadas en el suelo/terreno.
- Levante el aparato de jardinería solo con el asa de transporte. Utilice el asa de transporte con cuidado.
- No modifique la máquina. Las modificaciones no autorizadas pueden perjudicar la seguridad

de la máquina, causar un aumento de ruido y de vibraciones y un rendimiento deficiente.

- Quite la llave de seguridad (seccionador):
 - Cada vez que deje la máquina.
 - Antes de eliminar un bloqueo.
 - Antes de comprobar, limpiar o trabajar en la máquina.
 - Después de golpear un objeto extraño.
- Inspeccione la máquina para ver si tiene algún daño y cambie la cuchilla si es necesario.
- Si la máquina empieza a vibrar de modo anormal (revisela inmediatamente).

ADVERTENCIAS DE SEGURIDAD PARA LA BATERÍA

- a) **No abra la batería.** Existe peligro de cortocircuito.
- b) **Proteja la batería del calor, p. ej., de la luz solar intensa continua, los incendios, el agua y la humedad.** Peligro de explosión.
- c) **En caso de daño y uso incorrecto de la batería, esta puede emitir vapores.** Ventile el área y consulte un médico si se siente mal. Los vapores pueden irritar el sistema respiratorio.
- d) **Utilice la batería solo junto con su producto Vonroc.** Esta medida protege la batería de sobrecargas peligrosas.
- e) **La batería se puede dañar con objetos puntiagudos como clavos o destornilladores o si se somete a alguna fuerza exterior.** Puede producirse un cortocircuito interno que dé lugar a que la batería se incendie, emita humo, explote o se sobrecaliente.

TRADVERTENCIAS DE SEGURIDAD PARA EL CARGADOR

Uso previsto

Cargue solo las baterías recargables CD801AA y CD803AA con el cargador. Otros tipos de baterías pueden estallar y causar lesiones y daños.

- a) **El aparato no debe ser usado por personas (incluidos niños) con capacidad física, sensorial o mental reducida, o que no tengan experiencia o conocimiento suficientes, salvo que hayan sido capacitadas o estén bajo supervisión.**
- b) **Controle que los niños no jueguen con el aparato.**
- c) **No recargue baterías no recargables.**
- d) **Durante la carga, las baterías deben colocarse en un lugar bien ventilado.**



Este aparato puede ser utilizado por niños a partir de 8 años de edad y por personas con capacidades físicas, sensoriales o mentales reducidas o que carezcan de experiencia y conocimientos, si están supervisadas o capacitadas sobre el uso del aparato de modo seguro y si comprenden los peligros que supone. Los niños no deben jugar con el aparato. La limpieza y el mantenimiento de usuario no deben ser efectuados por niños, sin supervisión.

Seguridad eléctrica



Compruebe siempre que la tensión del suministro eléctrico corresponda con la tensión de la placa de características.

- No utilice la máquina si el cable o el enchufe eléctrico han sufrido daños.
- Utilice únicamente cables alargadores que sean adecuados para la potencia nominal de la máquina con un grosor mínimo de 1.5 mm². Si utiliza un cable alargador en rollo, desenrolle totalmente el cable.

2. INFORMACION DE LA MAQUINA

Uso previsto

Este producto está diseñado para cortar el césped en entornos domésticos. El cortacésped está destinado a jardines privados domésticos. El cortacésped no se puede utilizar para podar arbustos, setos o matas, para cortar vegetación escalada, techos plantados o césped cultivado en balcones, para limpiar (aspirar) la suciedad y los escombros de caminos ni para cortar árboles o recortar setos. Además, el cortacésped no puede utilizarse como motocultor para nivelar zonas altas, como las toperas. El equipo debe utilizarse únicamente para la finalidad prevista. Cualquier otro uso será considerado uso indebido.

ESPECIFICACIONES TECNICAS



Este manual ha sido redactado para diferentes números de juegos/artículos. Compruebe el número de artículo correspondiente en la siguiente tabla de especificaciones para conseguir la composición y el contenido correctos de su juego.

Modelo n.º	Baterías incluidas	Cargador incluido
LM504DC	-	-
S2_LM504DC	2 x CD801AA	2 x CD802AA
S4_LM504DC	2 x CD803AA	2 x CD802AA or 1 x CD820AA

MÁQUINA	
Modelo n.º	LM504DC
Voltaje	40V (2 x 20V)
Velocidad sin carga	3400/min
Anchura de corte	330 mm
Altura de corte	30/40/50/60/70mm
Capacidad de la caja colectora de césped	30 L
Peso	8.5 kg
Nivel de protección	IPX1
Nivel de presión acústica (L _{pa})	71.4dB(A), K=2.35dB(A)
Nivel de potencia acústica (L _{wa})	91.4dB(A), K=2.35dB(A)
Valor de vibración	<2.5m/s ² , K=1.5m/s ²

BATERÍA	
Modelo n.º	CD801AA
Tipo de batería	Iones de litio
Voltaje	20V
Capacidad	2.0 Ah
Cargador recomendado	CD802AA, CD820AA
Peso	0.3 kg

Modelo n.º	CD803AA
Tipo de batería	Iones de litio
Voltaje	20V
Capacidad	4.0 Ah
Cargador recomendado	CD802AA, CD820AA
Peso	0.65 kg

CARGADOR	
Modelo n.º	CD802AA
Entrada del cargador	220-240V, 50Hz 0.4A
Salida del cargador	21V 2.5A
Tiempo de carga de la batería de 2Ah	60 minutos

Tiempo de carga de la batería de 4Ah	120 minutos
Baterías recomendadas	CD801AA, CD803AA
Peso	0.36 kg

Modelo n.º	CD820AA
Entrada del cargador	220-240V, 50-60Hz, 200W
Salida del cargador	21V 2.3A, <3.8A
Tiempo de carga de la batería de 2 Ah	45 minutos
Tiempo de carga de la batería de 4 Ah	85 minutos
Baterías recomendadas	CD801AA, CD803AA
Peso	0.81 kg

Use solo las siguientes baterías de la plataforma de baterías VONROC VPOWER 20V. El uso de cualquier otra batería puede causar lesiones graves o dañar la herramienta.

CD801AA 20V, 2Ah de iones de litio
 CD803AA 20V, 4Ah de iones de litio

Para cargar estas baterías se puede utilizar el siguiente cargador de batería.

CD802AA Cargador rápido
 CD820AA Cargador veloz doble

Las baterías de la plataforma de baterías VONROC VPOWER 20V son intercambiables con todas las herramientas de la plataforma de baterías VONROC VPOWER 20V.

Nivel de vibración

El nivel de emisión de vibraciones indicado en este manual de instrucciones ha sido medido según una prueba estándar proporcionada en EN 60335; puede utilizarse para comparar una herramienta con otra y como valoración preliminar de la exposición a las vibraciones al utilizar la herramienta con las aplicaciones mencionadas:

- al utilizarla para distintas aplicaciones o con accesorios diferentes o con un mantenimiento deficiente, podría aumentar de forma notable el nivel de exposición;

- en las ocasiones en que se apaga la herramienta o cuando está funcionando pero no está realizando ningún trabajo, se podría reducir el nivel de exposición de forma importante.

Protéjase contra los efectos de la vibración realizando el mantenimiento de la herramienta y sus accesorios, manteniendo sus manos calientes y organizando sus patrones de trabajo.

DESCRIPCIÓN

Los números del texto se refieren a los diagramas de las páginas 2-6.

- Manillar superior
- Interruptor de Encendido/Apagado
- Botón de seguridad
- Cable de alimentación
- Máquina
- Sujetacable
- Asa de transporte
- Rueda
- Tapa de la rueda
- Cesta de la caja colectora de césped
- Tapa de la caja colectora de césped
- Cubierta de la caja colectora de césped
- Manillar inferior
- 15A. Perilla de ajuste del manillar
- 15B. Perno de la perilla
- Asa de transporte de la caja colectora de césped
- Palanca de ajuste de altura
- Salida de césped
- Tapa del alojamiento de la batería
- Alojamiento de la batería
- Llave de seguridad (seccionador)
- Akku-Freigabetaste
- Batería
- Botón de indicadores LED de batería
- Indicadores LED de la batería
- Cargador
- Indicadores de LED del cargador
- Hoja
- Perno de la cuchilla
- Cargador
- Indicador rojo LED del cargador
- Indicador ámbar LED del cargador
- Indicador verde LED del cargador

3. MONTAJE



Antes de realizar cualquier trabajo en la herramienta eléctrica, extraiga la batería.



Hay que cargar la máquina antes de usarla por primera vez.



Advertencia: Utilice solo baterías que estén cargadas al mismo nivel. Nunca combine baterías totalmente cargadas y a medio cargar. Cargue siempre las dos baterías simultáneamente. El tiempo de funcionamiento del equipo depende de la batería con el nivel de carga más bajo. Las dos baterías deben estar siempre totalmente cargadas antes de usar el producto.

Insertar la batería en la máquina (Fig. A, J)



Compruebe que la parte exterior de la batería este limpia y seca antes de colocarla en el cargador o en la máquina.



Cierre la tapa del alojamiento de las baterías antes del uso.

- Abra la tapa del alojamiento de las baterías (19).
- Inserte la batería (23) en el alojamiento de las baterías (20), como se muestra en la Fig. J.
- Pulse la batería más hacia delante hasta que haga clic en su sitio.
- Repita la operación con la otra batería (23).
- Cierre la tapa del alojamiento de las baterías (19).

Extraer la batería en la máquina (Fig. A, J)

- Abra la tapa del alojamiento de las baterías (19).
- Inserte la batería (23) en el alojamiento de las baterías (20), como se muestra en la Fig. J.
- Repita la operación con la otra batería (23).

Comprobación del estado de carga de la batería (Fig. K)

- Para comprobar el estado de carga de la batería, apriete brevemente el botón (24) de la batería.
- La batería tiene 3 luces que indican el nivel de carga, cuantas más luces estén encendidas, más batería queda.
- Cuando las luces están apagadas significa que la batería está vacía y debe cargarse inmediatamente.

Carga de la batería con el cargador CD802AA (Fig. K)

1. Extraiga la batería (23) de la máquina.
2. Dé vuelta la batería (23) y deslícela en el cargador (26) como se muestra en la Fig K.
3. Empuje la batería hasta que quede totalmente colocada en la ranura.
4. Enchufe el enchufe del cargador en una toma de corriente eléctrica y espere un poco. Los indicadores de LED del cargador (27) se encenderán y mostrarán el estado del cargador.

El cargador tiene 2 indicadores de LED (27) que indican el estado del proceso de carga:

LED de estado ROJO	LED de estado verde	Estado de la carga
Desactivado	Desactivado	Sin alimentación
Desactivado	Activado	Modo espera: - No hay ninguna batería insertada - Se ha insertado la batería pero el proceso de carga ha finalizado
Activado	Desactivado	Carga de la batería en curso

- La carga completa de la batería de 2 Ah puede llevar hasta 60 minutos.
- La carga completa de la batería de 4 Ah puede llevar hasta 120 minutos.

Después de que la batería este totalmente cargada, desenchufe el enchufe del cargador de la toma de corriente y extraiga la batería del cargador.



Cuando la no vaya a utilizarse la máquina durante un periodo de tiempo prolongado, es conveniente guardar la batería cargada.

Carga de la batería con el doble cargador CD820AA (Fig. L)

1. Extraiga la batería (26) de la máquina.
2. Dé vuelta la batería (26) y deslícela en el cargador (26) como se muestra en la Fig L.
3. Empuje la batería hasta que quede totalmente colocada en la ranura.
4. Enchufe el enchufe del cargador en una toma de corriente eléctrica y espere un poco. Los indicadores de LED del cargador (31, 32, 33) se encenderán y mostrarán el estado del cargador.

El cargador tiene 6 indicadores de LED (31, 32, 33) que indican el estado del proceso de carga:

Artículo	Condiciones	Color de LED		
		Rojo	Ámbar	Verde
En espera	Encendido	Encendido	Encendido	Encendido
Carga	Carga empezada (10-19V DC±0.5V DC)	Parpadeo	Apagado	Apagado
	Media carga (19-20V DC±0.5V DC)	Encendido	Parpadeo	Apagado
	Carga terminada (20-21V DC±0.5V DC)	Encendido	Encendido	Parpadeo
Totalmente cargado	Carga lenta ≤300±150mA	Encendido	Encendido	Encendido
	Parar carga			
Alta temperatura	La protección contra alta temperatura de la batería funciona	Encendido	Encendido	Encendido

- La carga completa de la batería de 2 Ah puede llevar hasta 45 minutos.
- La carga completa de la batería de 4 Ah puede llevar hasta 85 minutos.

Después de que la batería este totalmente cargada, desenchufe el enchufe del cargador de la toma de corriente y extraiga la batería del cargador.



Cuando la no vaya a utilizarse la máquina durante un periodo de tiempo prolongado, es conveniente guardar la batería cargada.

Montaje del manillar inferior (Fig. A, B)

1. Inserte el manillar inferior (14) en el orificio previsto del cuerpo del cortacésped, como se muestra en la figura B. Compruebe que el orificio del manillar inferior (14) esté alineado con el orificio del cuerpo del cortacésped.
2. Inserte el tornillo en el orificio y apriételo girando en sentido horario, como se muestra en la figura B.
3. Repita estos pasos para el otro manillar inferior (14).

Montaje del manillar superior (Fig. A, C, D)

1. Conecte el manillar superior (1) al manillar inferior (14), usando los pernos (15B) y las perillas del manillar (15A) suministrados, como se muestra en la figura C. Compruebe que el conjunto del interruptor de seguridad (3) esté en el lado derecho cuando usted esté detrás del cortacésped.
2. Fije el cable en el manillar con el sujetacable (6), como se muestra en la figura D.

Nota: Cuando las perillas del manillar (15A) están flojas, el manillar superior (1) se puede plegar hacia abajo para guardar el cortacésped. Asegúrese de que el cable de alimentación no quede atrapado.

Ensamblaje y montaje de la caja colectora de césped (Fig. A, E, F, G, H)

El cortacésped no debe utilizarse sin no tiene colocada la caja colectora de césped y el protector.

Es posible utilizar el cortacésped con o sin caja colectora de césped. No obstante, tenga en cuenta que, si corta sin la caja colectora de césped, debe bajar la tapa de la caja colectora de césped (11). No use el cortacésped con la tapa de salida levantada.

1. Una las dos mitades de la caja colectora de césped (10), como se muestra en la figura E.
2. Monte la tapa de la caja colectora de césped (12) en la caja colectora de césped montada (10), como se muestra en la figura F.
3. Monte el asa de transporte de la caja colectora de césped (16) en la tapa de la caja colectora de césped (12), como se muestra en la figura G.
4. En la figura H se muestra una caja colectora de césped montada correctamente.
5. Levante la tapa de la caja colectora de césped (11) y coloque la caja colectora de césped ensamblada en el cortacésped. Compruebe que las muescas de la caja colectora de césped estén bien alineadas con los soportes del cuerpo del cortacésped.

Nota: la caja colectora de césped está dotada de un indicador de nivel de césped (13) que indica la cantidad de césped que se ha cortado. Mientras el depósito de césped no esté lleno, el indicador

estará abierto. Cuando la caja colectora de césped esté llena, el indicador se cerrará. En ese caso, deje de cortar el césped inmediatamente y vacíe la caja colectora de césped. Este indicador es solo una guía aproximada, cuya funcionalidad depende del estado del interior de la cesta de césped.

Sustitución de la cuchilla de corte (Fig. A, M)

Antes de realizar cualquier trabajo en la herramienta eléctrica, extraiga la batería.



Cuando reemplace la hoja de corte, use guantes protectores. Peligro de lesiones al tocar las cuchillas de corte.



Utilice únicamente las cuchillas recomendadas por el fabricante.

1. Extraiga la caja colectora de césped.
2. Gire el cortacésped hacia un lado.
3. Sujete firmemente la cuchilla de corte con guantes protectores.
4. Gire el tornillo de fijación de la cuchilla de corte en sentido antihorario para aflojarlo, como se muestra en la figura P.
5. Reemplace o afine la cuchilla de corte.
6. Instale la cuchilla de corte, haga el procedimiento anterior en orden inverso (los orificios de la cuchilla de corte deben estar asentados en los pasadores del eje).
7. Es mejor encargar el afilado o la sustitución de la cuchilla de corte a una persona calificada. Deben utilizarse solo piezas originales. Todos los defectos deben ser reparados en un taller autorizado por el fabricante.

4. MANEJO

Antes de usar, inspeccione siempre visualmente para comprobar que las cuchillas, los pernos de las cuchillas y el conjunto del corte no estén desgastados o dañados. Extraiga la batería de la herramienta. Sustituya las cuchillas y los pernos desgastados o dañados en juegos, para preservar el equilibrio. Sustituya las cuchillas y los pernos desgastados o dañados en juegos, para preservar el equilibrio.



Si la máquina empieza a vibrar de modo anormal (compruebe inmediatamente):

- controle si tiene daños,
- sustituya o repare las piezas dañadas,
- compruebe si hay piezas flojas y, en su caso, apriételas.



Apague inmediatamente la máquina en los siguientes casos:

- cada vez que deje la máquina,
- antes de liberar los bloqueos o atascos de los conductos,
- antes de comprobar, limpiar o trabajar en la máquina,
- después de golpear un objeto extraño. Inspeccione la máquina para ver si tiene daños y haga las reparaciones necesarias antes de volver a ponerla en marcha y utilizarla.



Tenga cuidado durante el ajuste de la máquina para evitar que los dedos queden atrapados entre las cuchillas móviles y las partes fijas de la máquina.

Ajuste de la altura de corte (Fig. A, I)



Apague el equipo y espere a que la cuchilla se detenga y retire la batería. Existe el riesgo de lesiones.

Dependiendo de la altura de corte preferida, puede ajustar el nivel de altura en una de las cinco posiciones. Ajuste la altura de corte según sus necesidades de corte. La altura de corte depende del tipo de césped y de su altura real. Cuando corte césped alto, comience con la altura de corte máxima y después haga un segundo corte con una altura de corte más baja. Para el primer corte de la temporada se debe seleccionar una altura de corte más alta.

1. Tire de la palanca de ajuste de altura (17) hacia fuera (alejándola de la carcasa de la máquina), como se muestra en la figura I.
2. Manteniendo la palanca de ajuste de altura (17) en la posición hacia afuera, empújela hacia adelante o hacia atrás hasta alcanzar la altura de corte deseada.
3. Suelte la palanca (17) y asegúrese de que encaje correctamente en la ranura.

NOTA: Hay 5 niveles de altura de corte disponibles: 30 mm, 40 mm, 50 mm, 60 mm, 70 mm.

Encendido y apagado de la máquina (Fig. A, N)



Antes de empezar, coloque el producto en una superficie plana y que no tenga el césped alto.



Limpie la parte inferior de la plataforma antes de encender la máquina.



Mantenga los pies alejados de la cuchilla de corte.



No incline el producto cuando encienda el motor.

1. Compruebe que la llave de seguridad (21) esté insertada en el punto designado, debajo de la tapa del alojamiento de la batería (19)
2. Para poner en marcha la máquina, pulse y mantenga pulsado el botón de seguridad (3) y el interruptor de encendido/apagado (2). Manteniendo pulsado el interruptor de encendido/apagado (2), puede liberar la presión sobre el botón de seguridad (3).
3. Para detener la máquina, suelte el interruptor de encendido/apagado (2) y espere a que la cuchilla de corte deje de girar.

Funcionamiento del cortacésped (Fig. A, O)



Asegúrese de que haya siempre una distancia de seguridad (posible gracias a la longitud de los manillares) entre el usuario y la carcasa del cortacésped.



Tenga especial cuidado al segar y al cambiar de dirección en las pendientes y los declives. Mantenga un buen apoyo y use calzado resistente y antideslizante y pantalones largos. Siegue siempre transversalmente a la pendiente, no desde ni desde abajo. Por motivos de seguridad, el cortacésped no debe utilizarse para cortar el césped en pendientes cuya inclinación supere los 15 grados.



Tenga especial cuidado cuando retroceda y tire del cortacésped. ¡Peligro de tropiezos!

Antes del uso

- Compruebe que en el césped no haya piedras, palos, alambres u otros objetos que puedan dañar el producto.
- No corte el césped mojado porque tiende a pegarse debajo del producto, impidiendo la descarga adecuada del césped cortado, y además podría ser causa de resbalones y caídas.
- No corte nunca más de un tercio de la longitud total del césped, para tener un césped sano. En otoño, el césped debe cortarse solo hasta que haya crecimiento.
- Empuje lentamente el producto hacia adelante, no lo fuerce.
- Corte el césped en hileras ligeramente superpuestas. Es el método más eficaz de cortar todo el césped sin saltarse ningún punto, como se muestra en la figura O.
- De vuelta alrededor de los canteros de flores. Cuando llegue a un cantero que se encuentre en medio del césped, corte una o dos filas alrededor de la circunferencia del cantero.
- Preste especial atención al cambiar de dirección.
- Corte siempre el césped transversalmente a las pendientes (no desde arriba ni desde abajo). Puede evitar que el cortacésped se deslice hacia abajo manteniendo una posición inclinada en ángulo hacia arriba.
- Seleccione la altura de corte según la longitud del césped. Dé varias pasadas para evitar cortar demasiado césped de una sola vez.
- Vacíe periódicamente la caja colectora de césped.

Nota: El tiempo de funcionamiento de las baterías recargables y, por lo tanto, la superficie en metros cuadrados que puede cubrir una sola carga de la batería depende en gran medida del estado del césped (p. ej., densidad, humedad, altura, altura de corte, etc.) y de la velocidad de corte (velocidad de marcha). Para ajustar la cobertura de la superficie a sus necesidades individuales, se recomienda cortar el césped más a menudo, con una altura de corte más alta y una velocidad adecuada. Encender y apagar el equipo frecuentemente mientras se corta el césped también reduce la cantidad de zona que se puede cubrir. Si el tiempo de funcionamiento de las baterías recargables (cobertura de área) sigue siendo insatisfactorio a pesar de las medidas anteriores, puede resolver el problema utilizando baterías recargables de mayor capacidad (Ah).

Después del uso

1. Después del uso, apague el producto y desconecte la llave de seguridad (21).
2. Retire las baterías (23).
3. Compruebe, limpie y guarde el producto como se describe en el capítulo "Mantenimiento".

5. MANTENIMIENTO

Apague el equipo y espere a que la cuchilla se detenga y retire la batería. Existe el riesgo de lesiones.

Limpieza

El cortacésped ha sido diseñado para funcionar durante un largo período de tiempo con un mantenimiento mínimo. El funcionamiento continuo satisfactorio depende del cuidado adecuado del cortacésped y de su limpieza periódica.

- Mantenga el cortacésped limpio y seco.
- Utilice regularmente un raspador sin filo para eliminar la hierba y la suciedad del cortacésped.
- Para limpiar el cortacésped, utilice sólo jabón suave y un paño húmedo. Nunca deje que ningún líquido penetre en la herramienta y nunca sumerja ninguna parte de la herramienta en líquido. No utilice ningún limpiador abrasivo o a base de disolventes.

Detenga la (s) cuchilla (s) si es necesario inclinar la máquina transporte al cruzar superficies que no sean hierba, y al transportar la máquina hacia y desde el área que se utilizará. No encienda la máquina cuando esté parado frente a la abertura de descarga.

Almacenamiento

Deje siempre que la máquina se enfríe antes de guardarla. Sustituya las piezas desgastadas o dañadas, por seguridad. Utilice solo piezas de repuesto y accesorios originales.

1. Apague el producto, desconecte la llave de seguridad (21) y retire las baterías (23) antes de guardarlo.
2. Limpie el producto como se describe arriba.
3. Guarde el producto y sus accesorios en un lugar oscuro, seco, libre de heladas y bien ventilado. La temperatura ideal de almacenamiento es entre 10 °C y 30 °C.
4. Guarde siempre el producto en un lugar al que no puedan acceder los niños.

5. Para el almacenamiento, recomendamos usar el embalaje original o cubrir el producto con una lona o una envoltura adecuada que lo proteja del polvo.
 - Si la herramienta ha sido mal tratada o usada en modo impropio, o se ha realizado incorrectamente su mantenimiento.
 - Si se han utilizado piezas de repuesto no originales.

Transporte

1. Apague el producto, desconecte la llave de seguridad (21) y retire las baterías (23) antes de transportarlo hacia cualquier lugar.
2. Transporte siempre el producto utilizando el asa de transporte (7).
3. Proteja el producto de cualquier choque o vibración fuerte que pudiera producirse durante el transporte en vehículos.
4. Sujete el producto para evitar que se deslice o se caiga y evitar así daños y lesiones.

La presente constituye la única garantía implícita y explícita que ofrece la compañía. No existen otras garantías explícitas o implícitas que excedan las citadas aquí, incluidas las garantías implícitas de comerciabilidad e idoneidad para una finalidad en especial. VONROC no será considerada responsable en ningún caso por daños incidentales o consecuentes. Los recursos a disposición de los distribuidores se limitan a la reparación o a la sustitución de las unidades o piezas no conformes.

MEDIOAMBIENTE



Los aparatos eléctricos o electrónicos defectuosos y/o desechados deben recogerse en lugares de reciclado apropiado.

Solo para países de la Comunidad Europea

No elimine las herramientas eléctricas como residuos domésticos. De acuerdo con la Directiva europea 2012/19/CE sobre residuos de aparatos eléctricos y electrónicos, y su transposición a las legislaciones nacionales, las herramientas eléctricas que ya no se utilizan deben recogerse por separado y eliminarse en modo ecológico.

El producto y el manual de usuario están sujetos a variaciones. Las especificaciones pueden variarse sin previo aviso.

CONDICIONES DE GARANTIA

Los productos VONROC han sido desarrollados con los más altos estándares de calidad y VONROC garantiza que están exentos de defectos relacionados con los materiales y la fabricación durante el período legalmente estipulado, a contar desde la fecha de compra original. En caso de que el producto presente defectos relacionados con los materiales y/o la fabricación durante este período, pongase directamente en contacto VONROC.

La presente garantía se excluye en los siguientes casos:

- Si centros de servicios no autorizados han realizado o han intentado realizar reparaciones y/o alteraciones a la máquina.
- Si se ha producido un desgaste normal.

1. ISTRUZIONI DI SICUREZZA



Leggere accuratamente gli avvisi di sicurezza, gli avvisi di sicurezza aggiuntivi e le istruzioni. La mancata osservanza degli avvisi di sicurezza e delle istruzioni potrebbe causare scosse elettriche, incendio e/o gravi lesioni. **Mantenere gli avvisi di sicurezza e le istruzioni a portata di mano per future consultazioni.**

I seguenti simboli sono utilizzati nel presente manual utente o sul prodotto:



Leggere il manuale per l'utente.



Pericolo di lesioni personali.



Rischio di scosse elettriche.



Indossare protezioni per l'udito.



Indossare protezioni oculari.



Attenzione: non toccare le lame mentre girano. Lama/e affilata/e. Prestare attenzione a non tagliarsi le dita dei piedi o delle mani. Tenere i presenti (in particolare bambini e animali domestici) a più di 10 metri di distanza.



Il tosaerba non deve essere messo in funzione senza il cesto raccogliherba o la protezione al proprio posto.



Non usare il tosaerba sotto la pioggia e non lasciarlo all'aperto mentre piove.



Spegnere e rimuovere la chiave di sicurezza (interruttore di isolamento) prima di effettuare qualsiasi regolazione o intervento di pulizia o manutenzione e se si deve lasciare il tosaerba incustodito per un determinato periodo di tempo.



Usare solo batterie con lo stesso livello di carica. Non combinare mai batterie completamente cariche e mezze cariche. Caricare sempre le due batterie in simultanea. La durata di funzionamento del tosaerba dipende dalla batteria con il livello

di carica inferiore. Entrambe le batterie devono essere completamente cariche prima di usare il tosaerba. Prima dell'uso chiudere il coperchio del vano batterie.



Attendere che tutti i componenti della macchina si siano arrestati completamente prima di toccarli. Dopo lo spegnimento del tosaerba, le lame continuano a girare, con la possibilità di provocare lesioni a persone.



Assicurarsi che eventuali oggetti estranei scagliati via non feriscano persone che si trovano nelle vicinanze.



Avvertenza: mantenersi a distanza di sicurezza dal tosaerba mentre è in funzione.



Ispezionare attentamente l'area in cui viene utilizzato il tosaerba in modo da escludere la presenza di animali domestici e fauna selvatica che potrebbero rimanere feriti mentre la macchina è in funzione. Controllare accuratamente l'area di lavoro e rimuovere eventuali pietre, rametti, fili metallici, ossa e oggetti estranei presenti. Durante l'utilizzo del tosaerba assicurarsi che nell'erba fitta non siano nascosti animali selvatici, animali domestici o piccoli ceppi d'albero.



Utilizzare il caricabatterie solo al chiuso.



Non smaltire il prodotto in contenitori non idonei.



Il prodotto è conforme alle norme di sicurezza applicabili ai sensi delle direttive europee vigenti.



Livello di potenza sonora garantito LWA = 96 dB(A)

REGOLE GENERALI DI SICUREZZA



ATTENZIONE! Leggere tutte le avvertenze di sicurezza e tutte le istruzioni. Se non si seguono tutte le istruzioni sotto elencate, si può incorrere in uno shock elettrico, in un incendio e/o in lesioni serie.

Conservare queste istruzioni.

Il termine "arnese elettrico" in tutti gli avvertimenti sotto elencati si riferisce al vostro arnese elettrico che funziona a corrente (con filo) o ad un arnese che funziona a pile (senza filo).

1) Area di lavoro

- a) **Mantenere l'area di lavoro pulita e ben illuminata.** Aree buie e disordinate favoriscono gli incidenti.
- b) **Non usare arnesi elettrici in atmosfere esplosive, come vicino ai liquidi infiammabili, gas o polveri.** Gli arnesi elettrici creano scintille che possono incendiare la polvere dei vapori.
- c) **Tenere lontani bambini e altre persone mentre si accende l'arnese elettrico.** Le distrazioni possono farvi perdere il controllo.

2) Sicurezza elettrica

- a) **Le spine dell'arnese elettrico devono andare bene per la presa di corrente. Non modificare mai la spina in alcun modo. Non usare alcun adattatore con arnesi elettrici a terra (messo a terra).** Spine non modificate che vanno bene per le prese di corrente ridurranno il rischio di shock elettrico.
- b) **Evitare il contatto corporeo con superfici a terra come tubature, radiatori, fornelli e refrigeratori.** C'è un rischio maggiore di shock elettrico se il vostro corpo è a terra.
- c) **Non esporre arnesi elettrici alla pioggia o a condizioni di umidità.** Se dell'acqua penetra nell'arnese elettrico aumenterà il rischio di shock elettrico.
- d) **Non abusare del filo. Non usare mai il filo per trasportare, spingere o staccare dalla presa l'arnese elettrico. Tenere il filo lontano da calore, olio, bordi taglienti o parti mobili.** Fili danneggiati o aggrovigliati aumentano il rischio di shock elettrico.
- e) **Quando si accende un arnese elettrico all'aperto, usare una prolunga adatta a tale uso.** Usare un filo adatto all'uso all'aperto ridurrà il rischio di shock elettrico.
- f) **Se non è possibile evitare l'uso di un elettroutensile in ambiente umido, usare una rete di alimentazione protetta da un interruttore differenziale (salvavita).** L'uso di un salvavita riduce il rischio di scosse elettriche.

3) Sicurezza personale

- a) **Stare vigili e attento quando si accende un arnese elettrico. Non usare un arnese elettrico mentre si è stanco o sotto l'effetto di droghe, alcool o medicinali.** Un momento di disattenzione mentre si accendono arnesi elettrici può causare delle gravi lesioni personali.
- b) **Usare dispositivi di protezione individuale. Indossare sempre una protezione per gli occhi.** Dispositivi di sicurezza come mascherina per la polvere, scarpe di sicurezza antiscivolo, casco, o protezioni per le orecchie usate nelle appropriate condizioni, ridurranno le lesioni personali.
- c) **Prevenire l'avvio accidentale. Assicurarsi che l'interruttore sia spento prima di collegarsi.** Trasportare elettroutensili tenendo il dito sull'interruttore di accensione o dare corrente ad elettroutensili con l'interruttore acceso può dare luogo a incidenti.
- d) **Rimuovere ogni chiave regolatrice o chiave per dadi prima di accendere l'arnese elettrico.** Una chiave per dadi o una chiave lasciata attaccata ad una parte rotante dell'arnese elettrico può provocare lesioni personali.
- e) **Cercare di mantenere l'equilibrio. Mantenere sempre un punto d'appoggio appropriato.** Questo consente un controllo migliore dell'arnese elettrico in situazioni inaspettate.
- f) **Vestirsi adeguatamente. Non indossare vestiti larghi o gioielli. Tenere lontano capelli, vestiti e guanti dalle parti mobili.** Vestiti larghi, gioielli o capelli lunghi possono essere presi nelle parti mobili.
- g) **Se vengono forniti dispositivi per la connessione dell'estrazione della polvere e attrezzature di raccolta, assicurarsi che questi siano collegati e usati correttamente.** L'uso di questi dispositivi può ridurre i rischi correlati alla polvere.
- h) **Non lasciare che la confidenza acquisita dall'uso frequente induca l'utilizzatore ad assumere comportamenti imprudenti e a ignorare i principi di sicurezza per l'utensile.** Una semplice distrazione può provocare gravi lesioni personali in una frazione di secondo.

4) Uso e manutenzione dell'arnese elettrico

- a) **Non forzare l'arnese elettrico. Usare l'arnese elettrico corretto per il vostro impiego.** L'arnese elettrico corretto farà il lavoro meglio e in maniera più sicura alla velocità per la quale è stato progettato.

- b) **Non usare l'arnese elettrico se l'interruttore non si accende o non si spegne.** Ogni arnese elettrico che non può essere controllato con l'interruttore è pericoloso e deve essere riparato.
- c) **Scollare la spina dalla sorgente di elettricità prima di fare qualsiasi regolazione, cambiare gli accessori, o conservare arnesi elettrici.** Tali misure di sicurezza preventive riducono il rischio di accendere l'arnese elettrico accidentalmente.
- d) **Conservare gli arnesi elettrici inattivi fuori dalla portata dei bambini e non permettere a persone che non hanno confidenza con l'arnese elettrico o con queste istruzioni di usare l'arnese elettrico.** Gli arnesi elettrici sono pericolosi per utenti inesperti.
- e) **Mantenere gli arnesi elettrici. Controllare il non allineamento o l'attacco di parti mobili, la rottura di parti ed ogni altra condizione che può influire sul funzionamento degli arnesi elettrici. Se è danneggiato, far riparare l'arnese elettrico prima dell'uso.** Molti incidenti sono causati da arnesi elettrici mantenuti male.
- f) **Mantenere gli arnesi da taglio affilati e puliti.** È meno probabile che si attacchino degli arnesi da taglio mantenuti correttamente con tagli affilate e questi sono anche più facili da controllare.
- g) **Usare l'arnese elettrico, gli accessori e le parti dell'arnese ecc, secondo queste istruzioni e nel modo pensato per il particolare tipo di arnese elettrico, tenendo conto delle condizioni di lavoro e del lavoro da svolgere.** L'uso dell'arnese elettrico per operazioni diverse da quelle pensate potrebbe causare situazioni pericolose.
- h) **Mantenere le impugnature e le superfici di presa asciutte, pulite e libere da olio e grasso.** Impugnature e superfici di presa scivolose non consentono di maneggiare e controllare in sicurezza l'utensile in situazioni impreviste.
- 5) **Uso e manutenzione dell'utensile a batteria**
- a) **Ricaricare l'apparecchio esclusivamente con il caricabatterie specificato dal fabbricante.** Se si utilizza un caricabatterie di diverso tipo potrebbero verificarsi incendi.
- b) **Utilizzare gli utensili elettrici solo con i pacchi batterie appositamente prescritti.** L'uso di pacchi batterie di diverso tipo aumenta il rischio di infortunio o incendio.
- c) **Quando il pacco batterie non è in uso, tenerlo lontano da oggetti metallici quali fermagli, monete, chiavi, chiodi, viti o altri piccoli oggetti metallici che potrebbero mettere in collegamento i due poli.** Se i poli vengono messi in corto circuito, la batteria potrebbe emettere scintille o fiammate.
- d) **In condizioni di uso scorretto, la batteria potrebbe emettere liquido: evitare pertanto di entrarvi in contatto. In caso di contatto accidentale, risciacquare con acqua. Se il liquido entra a contatto con gli occhi, consultare immediatamente un medico.** Il liquido emesso dalla batteria può causare irritazioni o ustioni.
- e) **Non utilizzare un pacco batterie o l'utensile se danneggiati o manomessi.** Pacchi batterie danneggiati o manomessi potrebbero avere comportamenti imprevisti con il rischio di incendiarsi, esplodere o provocare lesioni a persone.
- f) **Non esporre un pacco batterie o l'utensile alle fiamme o a temperature eccessivamente elevate.** L'esposizione alle fiamme o a temperature superiori a 130 °C potrebbe provocare un'esplosione. **NOTA:** la temperatura di "130 °C" corrisponde a "265 °F".
- g) **Seguire tutte le istruzioni per la ricarica e non caricare il pacco batterie o l'utensile a temperature che non rientrino nell'intervallo specificato nelle istruzioni.** Se si effettua la ricarica in modo improprio o a temperature non comprese nell'intervallo specificato, il pacco batterie potrebbe subire danni e potrebbe aumentare il rischio di incendi.
- 6) **Riparazione**
- a) **L'assistenza per l'elettroutensile deve essere prestata da un tecnico qualificato che utilizzi soltanto ricambi originali.** In questo modo viene garantita la sicurezza dell'elettroutensile.
- b) **Non tentare di riparare pacchi batterie danneggiati.** La riparazione dei pacchi batteria deve essere effettuata esclusivamente dal produttore o presso centri di assistenza autorizzati.
- ISTRUZIONI DI SICUREZZA AGGIUNTIVE PER I TOSAERBA A BATTERIA**
- Non consentire l'uso del tosaerba a bambini o persone inesperte o che non abbiano letto queste istruzioni. Le normative vigenti a livello locale possono imporre un limite di età per l'operatore. Quando il tosaerba non viene usato custodirlo fuori dalla portata dei bambini.
 - Non consentire in nessun caso di usare il tosaerba a bambini e persone con capacità fisiche, sensoriali o mentali ridotte, prive di esperienza e conoscenza della macchina e/o che non abbiano dimestichezza con queste istruzioni. Le

normative vigenti a livello locale possono imporre un limite di età per l'operatore.

- I bambini devono essere sorvegliati per assicurarsi che non giochino con il tosaerba.
- Non utilizzare mai il tosaerba in presenza di persone (in particolare bambini) o animali domestici nelle vicinanze.
- L'utente è responsabile per incidenti o pericoli che coinvolgano altre persone o la loro proprietà.
- Non indossare scarpe aperte di gomma o sandali mentre si usa il tosaerba. Indossare sempre calzature robuste e pantaloni lunghi. Non stare a piedi nudi.
- Ispezionare attentamente l'area in cui deve essere usato il tosaerba e rimuovere eventuali pietre, rametti, fili metallici, ossa e altri oggetti estranei presenti.
- Prima dell'uso, ispezionare sempre il tosaerba visivamente accertandosi che le lame, i bulloni di fissaggio delle lame e il gruppo di taglio non siano usurati o danneggiati. Sostituire le serie di lame e bulloni usurati o danneggiati per mantenere un bilanciamento ottimale.
- Tagliare l'erba solo di giorno o in condizioni di buona illuminazione artificiale.
- Evitare di utilizzare il tosaerba in condizioni di maltempo, in particolare quando vi è il rischio di fulmini.
- Se possibile, evitare di usare il tosaerba sull'erba bagnata.
- Procedere camminando, senza mai correre.
- Non usare mai il tosaerba con protezioni o schermi di protezione difettosi o senza dispositivi di sicurezza, ad esempio senza che i deflettori e/o il cesto raccogliherba siano montati.
- Consigliamo di indossare protezioni acustiche per il proprio comfort.
- Non mettere mai in funzione il tosaerba se si è stanchi, ammalati o sotto l'effetto di alcool, stupefacenti o farmaci.
- Lavorare su terrapieni può essere pericoloso:
 - non tagliare l'erba sui pendii troppo ripidi.
 - Assicurarsi sempre di avere i piedi ben saldi quando si lavora su terreni in pendenza o se l'erba è bagnata.
 - Quando si deve lavorare su pendii, procedere trasversalmente e mai in verticale, su e giù.
 - Prestare la massima attenzione quando si cambia direzione su un pendio.
- Usare la massima cautela quando si indietreggia o si tira il tosaerba verso di sé.
- Non tagliare l'erba tirando la macchina verso di sé.
- Attendere che le lame si siano arrestate se il tosaerba deve essere inclinato per il trasporto, quando si attraversano superfici non erbose e durante il trasporto della macchina verso e dall'area da tosare.
- Non inclinare il tosaerba quando lo si avvia o si accende il motore.
- Accendere il motore seguendo le istruzioni e tenendo i piedi sempre ben lontani dalle parti rotanti.
- Non mettere mani o piedi vicino o sotto le parti rotanti.
- Rimanere sempre lontano dalla zona di scarico quando la macchina è in funzione.
- Non sollevare o trasportare mai il tosaerba con il motore in funzione.
- Quando si ripone il tosaerba, assicurarsi che tutte e 4 le ruote poggino a terra.
- Sollevare il tosaerba esclusivamente dal manico di trasporto. Usare il manico di trasporto con cautela.
- Non modificare il tosaerba. Eventuali modifiche non autorizzate possono compromettere la sicurezza, provocare un aumento del rumore e delle vibrazioni e ridurre le prestazioni della macchina.
- Rimuovere la chiave di sicurezza (interruttore di isolamento):
 - ogni volta che si lascia incustodito il tosaerba.
 - prima di eliminare un'ostruzione.
 - prima di controllare, pulire o compiere interventi sulla macchina.
 - dopo aver colpito un oggetto estraneo. Verificare che il tosaerba non presenti danni ed eseguire le eventuali riparazioni necessarie.
 - Se il tosaerba inizia a vibrare in modo anormale (controllare immediatamente).

AVVERTENZE DI SICUREZZA PER LA BATTERIA

- a) **Non aprire la batteria.** Pericolo di cortocircuito.
- b) **Proteggere la batteria dal calore, ad esempio dalla luce solare intensa, dal fuoco, dall'acqua e dall'umidità.** Pericolo di esplosione.
- c) **In caso di danni e uso improprio della batteria, potrebbero essere emessi dei vapori. Ventilare l'area e rivolgersi a un medico in caso di malessere.** I vapori possono irritare il sistema respiratorio.
- d) **Utilizzare la batteria solo in combinazione con il prodotto Vonroc.** Questo accorgimento protegge

ge la batteria da un sovraccarico pericoloso.

- e) **La batteria può essere danneggiata da oggetti appuntiti come chiodi o cacciaviti o da una forza applicata esternamente.** Si può verificare un cortocircuito interno e la batteria potrebbe bruciare, fumare, esplodere o surriscaldarsi.

AVVERTENZE DI SICUREZZA PER IL CARICABATTERIE

Uso previsto

Caricare solo pacchi batteria ricaricabili di tipo CD801AA e CD803AA con il caricabatterie. Batterie di tipi diversi potrebbero esplodere provocando lesioni personali e danni.

- a) **L'apparecchio non deve essere usato da persone con capacità fisiche, sensoriali o mentali ridotte (bambini inclusi) o che non hanno alcuna esperienza o conoscenza dell'apparecchio, a meno che non siano sorvegliate o siano state istruite sull'uso del prodotto.**
- b) **Accertarsi che i bambini non giochino con il caricabatterie.**
- c) **Non ricaricare batterie non ricaricabili!**
- d) **Durante la carica le batterie devono rimanere inserite nell'area adeguatamente ventilata!**



Questa apparecchiatura può essere utilizzata da bambini da 8 anni nonché da persone con capacità fisiche, sensoriali o mentali o da mancanza di esperienza, se si trovano sotto sorveglianza istruzione in merito all'uso dell'apparecchiatura in modo sicuro e comprendono i rischi del caso. Accertarsi che i bambini non giochino con l'apparecchiatura. La pulizia e la manutenzione utente non deve essere eseguita da bambini senza supervisione.

Sicurezza elettrica



Controllare sempre che la tensione di alimentazione corrisponda alla tensione indicata sulla targhetta delle caratteristiche.

- Non utilizzare l'elettrotensile quando il cavo o la spina di alimentazione sono danneggiati.
- Utilizzare esclusivamente cavi di prolunga idonei per la potenza nominale dell'elettrotensile, con conduttori di sezione minima di 1.5 mm². Quando si utilizza un cavo di prolunga con avvolgicavo, svolgere sempre completamente il cavo.

2. INFORMAZIONI RELATIVE ALL'ELETTROTENSILE

Uso previsto

Questo prodotto è destinato alla rasatura di erba in ambienti domestici. Il tosaerba è destinato all'utilizzo in giardini privati a casa. Il tosaerba non dovrebbe essere utilizzato per regolare cespugli, siepi o arbusti, per tagliare piante rampicanti, superfici erbose su tetti o terrazzi pensili, per pulire (aspirare) lo sporco o i detriti dalle passerelle o per tagliare alberi o siepi. Inoltre, il tosaerba non dovrebbe essere utilizzato come un coltivatore per asportare aree sopraelevate come mucchi di terra. L'equipaggiamento deve essere utilizzato solo per il suo uso prescritto. Qualsiasi altro utilizzo deve essere considerato come uso non prescritto.

DATI TECNICI




Il presente manuale è stato predisposto per diversi assortimenti / codici articolo.


Verificare il codice articolo corrispondente nella tabella di specificazione sottostante per la composizione e i contenuti corretti per il proprio assortimento.


Numero modello	Batterie incluse	Caricabatterie incluso
LM504DC	-	-
S2_LM504DC	2 x CD801AA	2 x CD802AA
S4_LM504DC	2 x CD803AA	2 x CD802AA or 1 x CD820AA


MACCHINA

Numero modello	LM504DC
Tensione	40V (2 x 20V)
Velocità a vuoto	3400/min
Larghezza di taglio	330 mm
Altezza di taglio	30/40/50/60/70mm
Capienza del cesto raccogliherba	30 L
Peso	8.5 kg
Livello di protezione	IPX1
Livello pressione sonora (L _{ps})	71.4dB(A), K=2.35dB(A)
Livello potenza sonora (L _{wa})	91.4dB(A), K=2.35dB(A)
Valore vibrazioni	<2.5m/s ² , K=1.5m/s ²

BATTERIA	
Numero modello	CD801AA
Tipo di batteria	Ioni di litio
Tensione	20V 
Capacità	2.0 Ah
Caricabatterie consigliato	CD802AA, CD820AA
Peso	0.3 kg

Numero modello	CD803AA
Tipo di batteria	Ioni di litio
Tensione	20V 
Capacità	4.0 Ah
Caricabatterie consigliato	CD802AA, CD820AA
Peso	0.65 kg

CARICABATTERIE	
Numero modello	CD802AA
Ingresso del caricabatterie	220-240V, 50Hz 0.4A
Uscita del caricabatterie	21V  2.5A
Tempo di ricarica batteria 2Ah	60 minuti
Tempo di ricarica batteria 4Ah	120 minuti
Batterie consigliate	CD801AA, CD803AA
Peso	0.36 kg

Numero modello	CD820AA
Ingresso del caricabatterie	220-240V, 50-60Hz, 200W
Uscita del caricabatterie	21V  2.3A, <3.8A
Tempo di ricarica batteria 2Ah	45 minuti
Tempo di ricarica batteria 4Ah	85 minuti
Batterie consigliate	CD801AA, CD803AA
Peso	0.81 kg

Utilizzare esclusivamente le batterie seguenti della piattaforma di batterie da 20V VONROC VPOWER. L'uso di batterie diverse potrebbe causare gravi lesioni personali o danni all'elettro utensile.

Batteria agli ioni di litio da 20V, 2Ah, CD801AA
 Batteria agli ioni di litio da 20V 4Ah, CD803AA

Il caricabatterie seguente può essere usato per caricare queste batterie.

Caricabatterie rapido CD802AA
 Caricabatterie doppio CD820AA

Le batterie della piattaforma di batterie da 20V VONROC VPOWER sono intercambiabili con tutti gli elettro utensili con batterie della piattaforma da 20V VONROC VPOWER.

Livello delle vibrazioni

Il livello di emissione delle vibrazioni indicato sul retro di questo manuale di istruzioni è stato misurato in conformità a un test standardizzato stabilito dalla norma EN60335; questo valore può essere utilizzato per mettere a confronto un l'utensile con un altro o come valutazione preliminare di esposizione alla vibrazione quando si impiega l'utensile per le applicazioni menzionate:

- se si utilizza l'utensile per applicazioni diverse, oppure con accessori differenti o in scarse condizioni, il livello di esposizione potrebbe aumentare notevolmente;
- i momenti in cui l'utensile è spento oppure è in funzione ma non viene effettivamente utilizzato per il lavoro, possono contribuire a ridurre il livello di esposizione.

Proteggersi dagli effetti della vibrazione effettuando la manutenzione dell'utensile e dei relativi accessori, mantenendo le mani calde e organizzando i metodi di lavoro.

DESCRIZIONE

I numeri che compaiono nel testo si riferiscono agli schemi riportati alle pagine 2-6.

1. Parte superiore del manico
2. Interruttore On/Off
3. Tasto di sicurezza
4. Cavo di alimentazione
5. Elettro utensile
6. Supporto cavo
7. Maniglia di trasporto
8. Ruota
9. Copertura ruota
10. Cesto raccogliherba
11. Coperchio cesto raccogliherba
12. Copertura cesto raccogliherba
13. Indicatore del livello dell'erba
14. Parte inferiore del manico
- 15A. Manopola di regolazione del manico
- 15B. Bullone per manopola

16. Manico di trasporto del cesto raccogliherba
17. Leva di regolazione altezza di taglio
18. Foro di scarico dell'erba
19. Coperchio del vano batterie
20. Vano batterie
21. Chiave di sicurezza (interruttore di isolamento)
22. Pulsante di sblocco batteria
23. Batteria
24. Pulsante per spie a LED batteria
25. Spie a LED batteria
26. Caricabatterie
27. Indicatori a LED caricabatterie
28. Lama
29. Bullone di fissaggio della lama
30. Caricabatterie
31. Indicatore rosso a LED caricabatterie
32. Indicatore giallo a LED caricabatterie
33. Indicatore verde a LED caricabatterie

3. MONTAGGIO



Prima di compiere qualsiasi intervento sull'elettro utensile, rimuovere la batteria.



Prima del primo utilizzo, caricare l'elettro utensile.



Avvertenza: Usare solo batterie con lo stesso livello di carica. Non combinare mai batterie completamente cariche e mezza cariche. Caricare sempre le due batterie in simultanea. La durata di funzionamento del tosaerba dipende dalla batteria con il livello di carica inferiore. Entrambe le batterie devono essere completamente cariche prima di usare il tosaerba.

Inserimento della batteria nella macchina (fig. A, J)



Assicurarsi che la batteria sia pulita esternamente prima di collegarla al caricabatterie o alla macchina. Prima dell'uso chiudere il coperchio del vano batterie.

1. Aprire il coperchio del vano batterie (19).
2. Inserire la batteria (23) nel vano batteria (20), come illustrato nella Fig. J.
3. Spingere in avanti la batteria finché scatta in posizione con un clic.
4. Ripetere l'operazione per l'altra batteria (23).
5. Chiudere il coperchio del vano batterie (19).

Rimozione della batteria dalla macchina (fig. A, J)

1. Aprire il coperchio del vano batterie (19).
2. Estrarre la batteria (23) dal vano batterie (20), come illustrato nella Fig. J.
3. Ripetere l'operazione per l'altra batteria (23).

Verifica dello stato di carica della batteria (Fig. K)

- Per verificare lo stato di carica della batteria, premere brevemente il pulsante (24) sulla batteria.
- La batteria presenta 3 spie che indicano il livello di carica: più spie sono accese più la batteria è carica.
- Se le spie non sono illuminate di rosso, significa che la batteria è completamente scarica e deve essere ricaricata immediatamente.

Carica della batteria con il caricabatterie CD802AA (Fig. K)

1. Rimuovere la batteria (23) dalla macchina.
2. Capovolgere la batteria (23) e inserirla nel caricabatterie (26), come illustrato nella Fig. K.
3. Spingere la batteria finché si incastra nell'apposito alloggiamento.
4. Collegare la spina del caricabatterie a una presa elettrica e attendere un momento. Gli indicatori a LED sul caricabatterie (27) si illuminano e mostrano lo stato di carica della batteria.

Sul caricabatterie sono presenti 2 indicatori a LED (27) che mostrano lo stato del processo di carica:

Stato LED rosso	Stato LED verde	Stato del caricabatterie
Spento	Spento	Nessuna alimentazione
Spento	Acceso stabile	Modalità standby: - Nessuna batteria inserita oppure, - Batteria inserita ma la ricarica è terminata
Acceso stabile	Spento	Carica della batteria in corso

- Per caricare completamente la batteria da 2Ah possono essere necessari fino a 60 minuti.
- Per caricare completamente la batteria da 4Ah possono essere necessari fino a 120 minuti.

Una volta caricata la batteria, rimuovere la spina del caricabatterie dalla presa di corrente e rimuovere la batteria dal caricabatterie.



Una volta caricata la batteria, rimuovere la spina del caricabatterie dalla presa di corrente e rimuovere la batteria dal caricabatterie.

Carica della batteria con il caricabatterie doppio CD820AA (Fig. L)

1. Rimuovere la batteria (26) dalla macchina.
2. Capovolgere la batteria (26) e inserirla nel caricabatterie (30), come illustrato nella Fig. L.
3. Spingere la batteria finché si incastra nell'apposito alloggiamento.
4. Collegare la spina del caricabatterie a una presa elettrica e attendere un momento. Gli indicatori a LED sul caricabatterie (31, 32, 33) si illuminano e mostrano lo stato di carica della batteria.

Sul caricabatterie sono presenti 6 indicatori a LED (31, 32, 33) che mostrano lo stato del processo di carica:

Posizione	Condizioni	Colore LED		
		Rosso	Giallo	Verde
Stand by	Acceso	Acceso stabile	Acceso stabile	Acceso stabile
Ricarica in corso	Ricarica iniziata (10-19V DC±0.5V DC)	Lampeggiante	Spento	Spento
	Ricarica a metà (19-20V DC±0.5V DC)	Acceso stabile	Lampeggiante	Spento
	Ricarica completata (20-21V DC±0.5V DC)	Acceso stabile	Acceso stabile	Lampeggiante
Ricarica piena	Carica di mantenimento ≤300±150mA	Acceso stabile	Acceso stabile	Acceso stabile
	Interrompi ricarica			
Sovratemperatura	Protezione sovratemperatura della batteria	Acceso stabile	Acceso stabile	Acceso stabile

- Per caricare completamente la batteria da 2Ah possono essere necessari fino a 45 minuti.
- Per caricare completamente la batteria da 4Ah possono essere necessari fino a 85 minuti.

Una volta caricata la batteria, rimuovere la spina del caricabatterie dalla presa di corrente e rimuovere la batteria dal caricabatterie.



Una volta caricata la batteria, rimuovere la spina del caricabatterie dalla presa di corrente e rimuovere la batteria dal caricabatterie.

Assemblaggio della parte inferiore del manico (Fig. A, B)

1. Inserire la parte inferiore del manico (14) nel foro predisposto del corpo del tosaerba come da fig. B. Fare in modo che il foro nella parte inferiore del manico (14) sia allineato con il foro nel corpo del tosaerba.
2. Inserire la vite nel foro e serrare a fondo girando in senso orario come da fig. B.
3. Ripetere gli stessi passi per l'altra parte inferiore del manico (14).

Assemblaggio della parte superiore del manico (Fig. A, C, D)

1. Collegare la parte superiore del manico (1) alla parte inferiore del manico(14) mediante i bulloni (15B) e le manopole di bloccaggio del manico (15A) in dotazione, come illustrato nella Fig. C. Accertarsi che il gruppo dell'interruttore di sicurezza (3) sia sul lato destro quando ci si trova dietro il tosaerba.
2. Fissare il cavo al manico utilizzando i supporti fermacavo (6) come mostrato nella Fig. D.

Nota: allentando le manopole di bloccaggio del manico (15A) la parte superiore del manico (1) può essere ripiegata verso il basso per lo stoccaggio del tosaerba. Assicurarsi che il cavo di alimentazione non rimanga impigliato.

Assemblaggio e fissaggio del cesto raccoglierba (Fig. A, E, F, G, H)



Il tosaerba non deve essere messo in funzione senza tutto il cesto raccoglierba o la protezione al proprio posto.

È possibile utilizzare il tosaerba con e senza cesto raccogliherba. Tuttavia, tenere a mente che durante il taglio senza cesto raccogliherba è necessario abbassare il coperchio del cesto raccogliherba (11). Non mettere in funzione il tosaerba senza il coperchio di uscita sollevato.

1. Collegare le due metà del cesto raccogliherba (10) come illustrato nella Fig. E.
2. Montare il coperchio del cesto raccogliherba (12) sul cesto raccogliherba assemblato (10) come illustrato nella Fig. F.
3. Montare il manico di trasporto del cesto raccogliherba (16) sul coperchio del cesto raccogliherba (12) come illustrato nella Fig. G.
4. Nella Fig. H è illustrato un cesto raccogliherba assemblato correttamente.
5. Sollevare il coperchio del cesto raccogliherba (11) e collegare il cesto raccogliherba sul tosaerba. Accertarsi che i rientri nel cesto raccogliherba siano allineati in modo adeguato con i supporti del corpo del tosaerba.

Nota: il cesto raccogliherba è dotato di un indicatore del livello dell'erba (13) che mostra la quantità di erba al suo interno. Fino a quando il cesto raccogliherba non è pieno, l'indicatore rimane aperto. Quando il cesto raccogliherba è pieno, l'indicatore si chiude. Arrestare in tal caso immediatamente la rasatura e svuotare il cesto raccogliherba. L'indicatore è solamente indicativo, di cui la funzionalità dipende dallo stato all'interno del cesto raccogliherba.

Sostituire la lama di taglio (Fig. A, M)



Prima di compiere qualsiasi intervento sull'elettrotensile, rimuovere la batteria.



Per sostituire la lama indossare guanti di protezione. Pericolo di lesioni personali in caso di contatto con la lama di taglio.



Utilizzare solo le lame consigliate dal produttore.

1. Rimozione del cesto raccogliherba.
2. Girare il tosaerba sul proprio lato.
3. Mantenere saldamente la lama di taglio indossando guanti protettivi.
4. Girare la vite di fissaggio della lama di taglio in senso antiorario per allentarla come da fig. P.
5. Sostituire o affilare la lama di taglio.

6. Installare la lama di taglio, utilizzare la procedura di cui sopra in ordine inverso (i fori della lama di taglio devono essere alloggiati sui perni del fusello).
7. Le operazioni di affilatura o sostituzione della lama di taglio dovrebbero essere affidate a una persona qualificata. Si dovrebbero utilizzare solo parti originali. Tutti i difetti devono essere riparati da un'officina di servizio autorizzata dal produttore.

4. UTILIZZO



Prima dell'utilizzo, sottoporre l'apparecchio sempre a un controllo visivo per accertare che le lame, i bulloni delle lame e il gruppo di taglio non siano usurati o danneggiati. Estrarre la batteria dal tosaerba. Sostituire le serie di lame e bulloni usurati o danneggiati per mantenere un bilanciamento ottimale. Sostituire le lame e i bulloni nei kit usurati o danneggiati per mantenere l'equilibrio.



Se la macchina inizia a vibrare in modo anormale (controllare immediatamente):

- verificare la presenza di danni,
- sostituire o riparare qualsiasi parte danneggiata,
- verificare la presenza di parti allentate e stringerle, se presenti.



Spegnere immediatamente la macchina nei seguenti casi:

- ogni volta che si lascia la macchina,
- prima di rimuovere blocchi o sturare lo scivolo,
- prima di controllare, pulire o adoperare la macchina;
- dopo aver colpito un oggetto estraneo. Esaminare la macchina per la presenza di danni ed eseguire le riparazioni prima del riavvio e il funzionamento della macchina.



Prestare attenzione durante la regolazione della macchina per evitare che le dita rimangano incastrate tra le lame in movimento e le parti fisse della macchina.

Regolazione dell'altezza di taglio (Fig. A, I)

Spegnere il tosaerba, attendere che le lame smettano di girare e rimuovere le batterie. Rischio di lesioni a persone.

A seconda dell'altezza di taglio desiderata, è possibile regolare il livello di altezza in una delle cinque posizioni disponibili. Regolare l'altezza di taglio in base alle esigenze del proprio prato. L'altezza di taglio dipende dal tipo di prato e dall'altezza dell'erba in quel momento. Per il taglio di erba alta, iniziare con la massima altezza di taglio ed effettuare un secondo taglio con un'altezza di taglio inferiore. Per eseguire il primo taglio stagionale selezionare un'altezza di taglio superiore.

1. Tirare la leva di regolazione dell'altezza (17) verso l'esterno (verso la parte anteriore della macchina), come illustrato nella Figura I.
2. Tenendo ferma la leva di regolazione dell'altezza di taglio (17) nella posizione esterna, spingerla avanti o indietro fino all'altezza di taglio desiderata.
3. Rilasciare la leva (17) e assicurarsi che sia inserita correttamente nella fessura.

NOTA: sono disponibili 5 livelli di altezza di taglio: 30 mm, 40 mm, 50 mm, 60 mm, 70 mm.

Accensione e spegnimento del tosaerba (Fig. A, N)

Prima di avviare il tosaerba posizionarlo su una superficie piana dove non vi sia erba alta.



Pulire la parte inferiore della macchina prima di accenderla.



Tenere i piedi a distanza di sicurezza dalla lama di taglio.



Non inclinare il tosaerba quando si accende il motore.

1. Assicurarsi che la chiave di sicurezza (21) sia inserita nel punto previsto sotto il coperchio del vano batterie (19).
2. Accendere il tosaerba tenendo premuto il pulsante di sicurezza (3) e premendo l'interruttore di accensione/spegnimento (2). Mantenendo premuto l'interruttore di accensione/spegnimento (2) è possibile rilasciare la pressione sul pulsante di sicurezza (3).

3. Per spegnere il tosaerba, rilasciare l'interruttore di accensione/spegnimento (2) e attendere fino all'arresto delle lame di taglio.

Uso del tosaerba (Fig. A, O)

Assicurarsi sempre di mantenere la distanza di sicurezza tra l'operatore e l'alloggiamento del tosaerba, corrispondente alla lunghezza del manico completo (parte inferiore e superiore).



Prestare la massima attenzione durante le operazioni di taglio, quando si cambia direzione su pendii e scarpate. Assicurarsi di avere i piedi ben saldi e indossare calzature robuste e pantaloni lunghi. Eseguire sempre la rasatura dell'erba lungo la pendenza (non su e giù). Per motivi di sicurezza non utilizzare il tosaerba su piani inclinati di oltre 15°.



Prestare particolare attenzione nel tirare il tosaerba procedendo all'indietro. Pericolo di inciampare!

Prima dell'uso

- Assicurarsi che il prato sia libero da pietre, rametti, fili metallici o altri oggetti che potrebbero danneggiare il tosaerba o il rispettivo motore.
- Non tagliare l'erba bagnata, in quanto tende ad aderire alla parte inferiore della scocca del tosaerba, ostacolando il corretto scarico degli sfalci di erba e favorendo il rischio di scivolamento e caduta.
- Per un prato in buone condizioni, non tagliare più di un terzo della lunghezza totale dell'erba. In autunno, tagliare l'erba solo se è cresciuta.
- Spingere avanti il tosaerba lentamente, senza forzarlo.
- Tagliare l'erba a strisce leggermente sovrapposte. Si tratta del metodo più efficace per tosare tutto il prato in maniera uniforme, evitando che rimangano strisce di erba non tagliata.
- Girare attorno alle aiuole. Se si raggiunge un'aiuola di fiori al centro del prato, procedere a tagliare una o due strisce intorno alla circonferenza dell'aiuola.
- Prestare particolare attenzione nel cambiare direzione.
- Sui pendii le corsie formate dal taglio devono essere trasversali rispetto alla pendenza. Per

evitare che il tosaerba scivoli lateralmente basta inclinarlo verso l'alto.

- Regolare l'altezza di taglio in base alla lunghezza dell'erba del proprio prato. Compiere vari passaggi per evitare che sia tagliata troppa erba in una sola volta.
- Svuotare regolarmente il cesto raccogliherba.

Nota: la durata di funzionamento delle batterie ricaricabili, e quindi l'area in metri quadrati tosata con una sola carica delle batterie, dipende in gran parte dalle condizioni dell'erba (ad esempio, quanto è fitta, il grado di umidità, l'altezza, l'altezza di taglio, ecc.) e dalla velocità di tosatura (velocità di cammino). Per adattare la copertura dell'area alle proprie esigenze, si raccomanda di tagliare il prato più spesso, con un'altezza di taglio maggiore e a una velocità adeguata. Anche accendere e spegnere di frequente il tosaerba durante la falciatura riduce la superficie del prato che è possibile tosare. Se la durata di funzionamento delle batterie ricaricabili (copertura dell'area) continua ad essere insoddisfacente nonostante gli accorgimenti descritti, è possibile rimediare al problema utilizzando batterie ricaricabili con una capacità maggiore (Ah).

Dopo l'uso

1. Dopo l'uso, spegnere il tosaerba e disinserire la chiave di sicurezza (21).
2. Rimuovere le batterie (23).
3. Ispezionare, pulire e riporre il tosaerba come descritto al capitolo "Manutenzione".

5. MANUTENZIONE



Spegnere il tosaerba, attendere che le lame smettano di girare e rimuovere le batterie. Rischio di lesioni a persone.

Pulizia

Il proprio tosaerba è stato progettato per funzionare per un lungo periodo di tempo con una manutenzione minima. Il funzionamento continuo del tosaerba dipende da una cura corretta e da una regolare pulizia della macchina.

- Mantenere il tosaerba pulito e asciutto.
- Usare regolarmente un raschietto smussatore per rimuovere erba e sporco dal tosaerba
- Per pulire il tosaerba, utilizzare solo un sapone neutro e un panno umido. Non permettere la penetrazione di qualsiasi liquido all'interno

dell'utensile e non immergere mai alcuna parte dell'utensile nel liquido. Non usare un detergente su base abrasiva o solvente.

Arrestare la(e) lama(e) se la macchina deve essere inclinata per trasporto quando si attraversano superfici diverse da erba e durante il trasporto della macchina da e verso l'area da utilizzare. Non avviare la macchina quando ci si trova di fronte all'apertura di scarico.

Stoccaggio

Prima di riporre il tosaerba attendere sempre che si raffreddi. Sostituire le parti usurate o danneggiate per garantire la sicurezza. Utilizzare solo ricambi e accessori originali.

1. Prima di riporre il tosaerba, spegnerlo, disinserire la chiave di sicurezza (21) e rimuovere le batterie (23).
2. Pulire la macchina come descritto sopra.
3. Conservare il tosaerba e i relativi accessori in un luogo buio, asciutto, al riparo dal gelo e ben ventilato. La temperatura di stoccaggio ideale è di 10-30 °C.
4. Conservare sempre il tosaerba in un luogo inaccessibile ai bambini.
5. Consigliamo di riporre il tosaerba all'interno della confezione originale o di coprirlo con un panno o un involucro adatto per proteggerlo dalla polvere.

Trasporto

1. Prima di trasportare il tosaerba in qualsiasi luogo, spegnerlo, disinserire la chiave di sicurezza (21) e rimuovere le batterie (23).
2. Trasportare il tosaerba afferrandolo sempre dal manico di trasporto (7).
3. Proteggere il tosaerba da forti urti o vibrazioni che potrebbero verificarsi durante il trasporto a bordo di veicoli.
4. Fissare il tosaerba in modo da evitare che scivoli o cada, subendo danni e provocando lesioni a persone.

RISPETTO AMBIENTALE



Le apparecchiature elettriche o elettroniche difettose e/o scartate devono essere raccolte presso gli opportuni siti di riciclaggio.

Solo per i Paesi CE

Non smaltire gli elettrodomestici insieme ai rifiuti domestici. Secondo la Direttiva europea 2012/19/EC sui rifiuti delle apparecchiature elettriche ed elettroniche e relativa implementazione nelle normative locali, gli elettrodomestici ormai inutilizzabili devono essere raccolti separatamente e smaltiti in modo ecologico.

DEFINIZIONI DELLA GARANZIA

I prodotti VONROC sono sviluppati secondo i più elevati standard di qualità e viene garantita l'assenza di difetti nei materiali e nella manodopera per il periodo contrattuale a partire dalla data di acquisto originale. Qualora il prodotto dovesse subire un guasto qualsiasi durante questo periodo a causa di difetti nei materiali e/o nella manodopera, si prega di contattare direttamente il VONROC.

Le seguenti circostanze sono escluse da questa garanzia:

- Riparazioni e/o modifiche alla macchina sono state eseguite o tentate da centri di assistenza non autorizzati.
- Normale usura.
- L'utensile è stato abusato, utilizzato o manutenu- to in modo improprio.
- Sono state utilizzate parti di ricambio non origi- nali

Cio costituisce l'unica garanzia espressa o implicita fornita dall'azienda. Non esistono altre garanzie es- presse o implicite che si estendono oltre il presente documento, ivi comprese le garanzie implicite di commerciabilità e idoneità per uno scopo particola- re. In nessun caso VONROC sarà responsabile di eventuali danni incidentali o consequenziali. I rime- di dei rivenditori saranno limitati alla riparazione o sostituzione di unità o parti non conformi.

Il prodotto e il manuale per l'utente sono soggetti a modifiche. I dati tecnici possono essere modificati senza ulteriore notifica.

1. SÄKERHETSFÖRESKRIFTER

Läs de medföljande säkerhetsvarningarna, de tillkommande säkerhetsvarningarna och anvisningarna. Om inte säkerhetsvarningar- na och anvisningarna följs kan detta orsaka elstötar, brand och/eller allvarliga kroppsskador. **Behåll säkerhetsvarningarna och anvisningarna för framtida bruk.**

Följande symboler används i bruksanvisningen eller på produkten:



Läs igenom bruksanvisningen.



Risk för personskada.



Risk för elstöt.



Använd hörselskydd.



Använd ögonskydd.



Försiktighet: Rör inte roterande blad. Vassa blad. Se upp för risk att skära av tår eller fingrar. Håll åskådare, särskilt barn och husdjur på ett avstånd mer än 10 meter.



Gräsklipparen får inte användas utan antingen hela gräsuppsamlaren eller skyddet på plats.



Använd den inte när det regnar eller lämna gräsklipparen utomhus när det regnar.



Stäng av och ta ur säkerhetsnyckeln (isolatorbrytare) före justering, rengöring och innan du lämnar produkten utan uppsikt under någon tid.



Använd endast batterier som är laddade till samma nivå. Kombinera aldrig fulla och halvfulla batterier. Ladda alltid de två batterierna samtidigt. Utrustningens drifttid beror på batteriet med den lägre laddnings- nivån. De två batterierna måste alltid vara fulladdade före användning. Stäng batteriluckan före användning.



Vänta tills alla maskinkomponenter har stannat helt innan du rör vid dem. Bladen fortsätter att rotera efter att maskinen är avstängd, ett roterande blad kan orsaka skada.



Se till att åskådare inte skadas av främmande föremål som kastas iväg.



Varning: Håll ett säkert avstånd från produkten vid användning.



Kontrollera noggrant området där verktyget ska användas för vilda djur och husdjur. Vilda djur och husdjur kan skadas medan maskinen är i drift. Kontrollera noggrant arbetsområdet och ta bort alla stenar, pinnar, trådar, ben och främmande föremål. När du använder maskinen, se till att inga vilda djur, husdjur eller små trädstubbar gömmer sig i det täta gräset.



Använd endast batteriladdaren inomhus.



Uppfyller alla relevanta europeiska direktiv.



Släng inte produkten i olämpliga behållare.



Garanterad ljudeffektnivå LWA = 96 dB(A)

ALLMÄNNA SÄKERHETSFRSKRIFTER



Varning! Läs alla säkerhetsvarningar och alla anvisningar. Om inte alla instruktioner som anges nedan efterföljs kan detta leda till el-stötar, eldsvåda och/eller allvarliga skada.

Spara dessa instruktioner.

Termen "elektriskt redskap" i varningarna som anges nedan hänvisar till elektriska verktyg (med sladd, anslutet till el-nätet) eller batteridrivna (sladdlösa) elektriska verktyg.

1) Arbetsutrymme

- Se till att arbetsutrymmet är städad och väl upplyst. Stökiga och mörka utrymmen ger anledning till olyckor.
- Använd inte elektriska verktyg i explosiv luft, såsom i närheten av lättantändliga vätskor, ga-

ser eller damm. Elektriska verktyg åstadkommer gnistor som kan sätta eld på damm eller gas.

- Håll barn och obehöriga på avstånd när du använder ett elektriskt verktyg. Om du blir distraherad kan du tappa kontrollen över verktyget.

2) El-säkerhet

- Stickkontakten till elektriska verktyg måste passa el-uttaget. Ändra aldrig på något sätt på stickkontakten. Använd inte adapterkontakter till jordade elektriska verktyg. Oförändrade stickkontakter och passande uttag minskar risken för el-stötar.
- Undvik kroppskontakt med jordade ytor såsom rör, element, spisar och kylskåp. Risken för el-stötar är större om din kropp är jordad.
- Låt inte elektriska verktyg utsättas för regn eller våta förhållanden. Om det kommer in vatten i ett elektriskt verktyg ökar risken för el-stötar.
- Skada inte kabeln. Använd aldrig kabeln för att bära eller dra det elektriska verktyget eller för att dra ut stickkontakten. Håll sladden borta från höga temperaturer, olja, vassa kanter eller rörliga delar. Skadade eller hoptrasslade kablar ökar risken för el-stötar.
- När du använder ett elektriskt verktyg utomhus måste förlängningskabeln vara lämplig för utomhusbruk. Om man använder en förlängningskabel för utomhusbruk minskar risken för el-stötar.
- Använd jordfelskydd (RCD) om arbete med ett elverktyg i fuktig miljö är oundvikligt. Användning av RCD minskar risken för elstötar.

3) Personlig säkerhet

- Var uppmärksam, titta på det du håller på med och använd sunt förnuft när du arbetar med ett elektriskt verktyg. Använd inte elektriska verktyg när du är trött eller står under inflytande av droger, alkohol eller mediciner. Ett ögonblick ouppmärksamhet vid användandet av elektriska verktyg kan leda till allvarliga personskador.
- Använd personlig skyddsutrustning. Bär alltid skyddsglasögon. Säkerhetsutrustning såsom skyddsmasker, skor med anti-halksula, hjälm eller hörselskydd som används vid rätt omständigheter kommer att minska personskador.
- Förhindra oavsiktlig igångsättning. Se till att strömbrytaren är avslagen innan du sätter stickkontakten i eluttaget. Om du bär elverktyg med fingret på brytaren eller strömsätter elverktyg vars brytare är aktiverad kan du råka ut för en olycka.

- d) **Ta bort skiftnycklar och skruvnycklar innan ett elektriskt verktyg slås på.** En skift- eller skruvnyckel som lämnas kvar fastsatt vid det elektriska verktygets roterande delar kan leda till personskada.
- e) **Sträck dig inte för långt. Se till att du alltid står stadigt och i balans.** På så sätt har du bättre kontroll över det elektriska verktyget i oväntade situationer.
- f) **Klä dig rätt. Bär inte löst sittande kläder eller smycken. Håll håret, kläder och handskar borta från rörliga delar.** Löst sittande kläder, smycken eller långt hår kan fastna i de rörliga delarna.
- g) **Om apparater för uppsugning och uppsamling av damm finns tillgängliga, se till att de ansluts och används korrekt.** Om sådana apparater används kan dammrelaterade faror minskas.
- h) **Låt inte erfarenheten som uppnås vid frekvent användning av verktyg låta dig bli för självsäker och ignorera verktygs säkerhetsprinciperna.** En oförsiktig handling kan orsaka allvarliga skador under bråkdelen av en sekund.
- 4) Underhåll av elektriska verktyg**
- a) **Överbelasta inte ett elektriskt verktyg. Använd rätt sorts verktyg till det arbete du vill utföra.** Rätt sorts elektriskt verktyg gör arbetet bättre och säkrare i den hastighet det var designat för.
- b) **Använd inte verktyget om strömbrytaren är trasig.** Om ett elektriskt verktyg inte kan kontrolleras med hjälp av en strömbrytare är det farligt och måste lagas.
- c) **Koppla loss stickkontakten från verktyget innan du utför några justeringar, byter tillbehör eller förvarar det.** Med dessa preventiva säkerhetsåtgärder minskas risken för att det elektriska verktyget går på av misstag.
- d) **Förvara elektriska verktyg som inte är i bruk utom räckhåll för barn och låt inte personer som inte känner till verktyget eller dessa instruktioner använda det.** Elektriska verktyg är farliga i händerna på oerfarna användare.
- e) **Underhåll elektriska verktyg. Kontrollera att alla rörliga delar är i rät linje och fastsatta, att inga delar är trasiga och att de är korrekt monterade. Kontrollera även annat som kan påverka verktygets funktion. Om det elektriska verktyget är trasigt måste det repareras innan det tas i bruk.** Många olyckor förorsakas av dåligt underhållna elektriska verktyg.
- f) **Håll alltid sågande och skärande verktyg vassa och rena.** Sågande och skärande verktyg med vassa egggar/skär fastnar inte så lätt och är enklare att hålla kontroll över.
- g) **Använd det elektriska verktyget, dess tillbehör, borrar eller skärande delar etc. enligt dessa instruktioner och på det sätt som det är avsett för. Ta med förutsättningarna och det arbete som ska utföras i beräkningarna.** Att använda ett elektriskt verktyg för andra arbeten än det är avsett för kan resultera i farliga situationer.
- h) **Se till att handtagen är torra, rena och fria från olja och fett.** Hala handtag och grepppytor tillåter inte säker hantering och kontroll av verktyget i oväntade situationer.
- 5) Användning och skötsel av batteri och laddare**
- a) **Använd endast den laddare som anges av tillverkaren.** En laddare som passar en typ av batteri kan orsaka brand om den används för ett annat batteri.
- b) **Använd endast elverktyget med ett batteripack som är avsett för verktyget.** Användning av andra batteripack kan medföra risk för skador och brand.
- c) **När du inte använder batteriet ska det förvaras så att inga små metallföremål som t.ex. gem, mynt, spikar, skruvar osv. kan kortslua kontaktarna på batteriet.** Kortslutning av batterikontaktarna kan orsaka brännskador eller brand.
- d) **Under extrema förhållanden kan vätska läcka ut från batteriet; undvik kontakt. Skölj med vatten vid kontakt med kroppsdelar. Uppsök genast en läkare om du får vätska i ögonen.** Vätska från batteriet kan orsaka irritation eller frätskador.
- e) **Använd inte batterier eller verktyg som är skadade eller modifierade.** Skadade eller modifierade batterier kan uppvisa oförutsägbart beteende som kan leda till brand, explosion eller risk för skada.
- f) **Utsätt inte batteri eller verktyg för eld eller överdriven temperatur.** Exponering för brand eller temperatur över 130 °C kan orsaka explosion. OBS! Temperaturen "130 °C" kan ersättas med temperaturen "265 °F".
- g) **Följ alla laddningsanvisningar och ladda inte batteriet eller verktyget utanför det temperaturområde som anges i instruktionerna.** Om du laddar batteriet felaktigt eller vid temperaturer utanför det angivna området kan det skada batteriet och öka risken för brand.

6) Service

- a) **Låt ditt elverktyg servas av en kvalificerad reparatör och enbart med originalreservdelar.** Detta säkerställer att elverktygets säkerhet upprätthålls.
- b) **Utför aldrig service på skadade batterier.** Service av batteri ska endast utföras av tillverkaren eller auktoriserade serviceleverantörer.

YTTERLIGARE SÄKERHETSANVISNINGAR FÖR BATTERIDRIVNA GRÄSKLIPPARE

- Låt aldrig barn eller personer som är obekanta med dessa instruktioner använda produkten. Det kan finnas lokala bestämmelser om åldersgräns för användaren. När den inte används, förvara produkten utom räckhåll för barn.
 - Låt aldrig barn, personer med sensorisk eller mental begränsad kapacitet eller utan erfarenhet eller kunskap eller personer som är obekanta med dessa instruktioner använda produkten. Det kan finnas lokala bestämmelser om åldersgräns för användaren.
 - Barn skall övervakas så att de inte leker med apparaten.
 - Använd inte maskinen i närheten av andra, särskilt barn eller husdjur.
 - Användaren är ansvarig för olyckor eller risker som uppstår för andra personer och deras egendom.
 - Bär inte öppna gummiskor eller sandaler när du använder produkten. Bär alltid rejäla skor och långbyxor. Använd inte barfota.
 - Inspektera noggrant området där maskinen ska användas och ta bort alla stenar, pinnar, trådar, ben och andra främmande föremål.
 - Innan användning, inspektera alltid visuellt bladen, bladbultarna och klippmontaget för att se om de är slitna eller skadade. Byt slitna eller skadade blad och bultar i set för att behålla balansen.
 - Klipp endast i dagsljus eller bra artificiellt ljus.
 - Undvik att klippa under dåliga väderleksförhållanden särskilt när det finns risk för åska.
 - Undvik att använda maskinen i vått gräs om det går.
 - Gå, spring aldrig.
 - Använd aldrig gräsklipparen med defekta skydd eller utan säkerhetsenheter, exempelvis deflektor och/eller gräsuppsamlare på plats.
 - Vi rekommenderar att du använder hörselskydd för din egen bekvämlighet.
 - Använd aldrig maskinen när du är trött, sjuk eller under påverkan av alkohol eller medicin.
 - Arbete i sluttningar kan vara farligt:
 - Klipp inte branta sluttningar.
 - Håll alltid god balans i sluttningar eller vått gräs.
 - Arbeta tvärs över sluttningar, inte upp och ner.
 - Iaktta extrem försiktighet när du byter riktning i sluttningar.
 - Var ytterst försiktig när du går tillbaka eller drar maskinen mot dig.
 - Klipp inte genom att dra maskinen mot dig.
 - Vänta tills bladen har stoppats om maskinen måste lutas för transport vid korsning av andra ytor än gräs och när maskinen transporteras till och från det område där den ska användas.
 - Luta inte maskinen när du startar eller sätter på motorn.
 - Slå på motorn enligt instruktionerna med fötterna långt borta från roterande delar.
 - Ha inte händer eller fötter i närheten eller under roterande delar.
 - Håll dig alltid på avstånd från utkastområdet när du använder maskinen.
 - Plocka aldrig upp eller bär maskinen medan motorn är igång.
 - Vid förvaring, se till att trädgårdsredskapets alla fyra hjul står på marken/golvet.
 - Lyft endast trädgårdsredskapet med bärhandtaget. Använd bärhandtaget med försiktighet.
 - Ändra inte maskinen. Otillåtna modifieringar kan försämra säkerheten för din maskin, leda till ökat buller och vibrationer och dålig prestanda.
 - Ta bort säkerhetsnyckeln (isolatorbrytare):
 - När du lämnar maskinen.
 - Innan du tar bort en blockering.
 - Innan du kontrollerar, rengör eller arbetar på maskinen.
 - Efter att ha träffat ett främmande föremål. Inspektera apparaten efter skador och reparera om så behövs.
 - Om maskinen börjar vibrera onormalt (kontrollera omedelbart).
- SÄKERHETSANVISNINGAR FÖR BATTERI**
- a) **Öppna inte batteriet.** Risk för kortslutning.
- b) **Skydda batteriet mot hetta, t.ex. mot kontinuerlig intensiv solstrålning, brand, vatten och fukt.** Risk för explosion.

- c) **Vid skada och felaktig användning av batteriet kan ångor läcka ut. Ventilera området och sök medicinsk hjälp vid besvär.** Ångorna kan irritera andningssystemet.
- d) **Använd endast batteriet i kombination med din Vonroc industriprodukt.** Denna åtgärd ensam skyddar batteriet mot farlig överbelastning.
- e) **Batteriet kan skadas av vassa föremål såsom spikar eller skruvmejslar eller externa krafter.** En intern kortslutning kan uppstå och batteriet kan brinna, avge rök, explodera eller överhettas.

FÖR LADDAREN

Avsedd användning

Ladda endast CD801AA och CD803AA typ av laddningsbara batterier Batteripaket med laddaren. Andra typer av batterier kan explodera och orsaka personskada och skada.

- a) **Apparaten får inte användas av personer (inklusive barn) med nedsatt fysisk eller mental förmåga eller brist på erfarenhet och kunskap, såvida de inte övervakas eller instrueras.**
- b) **Barn som övervakas får inte leka med apparaten.**
- c) **Ladda inte batterier som inte är uppladdningsbara!**
- d) **Batterierna måste placeras i ett väl ventilerat område under laddning!**



Denna apparat kan användas av barn från 8 år och personer med nedsatt fysisk eller psykisk förmåga eller bristande erfarenhet eller kunskap, om de övervakas eller får instruktioner om hur apparaten används på ett säkert sätt och är medvetna om riskerna. Barn får inte leka med apparaten. Rengöring och användarunderhåll ska inte utföras av barn utan övervakning.

Elsäkerhet



Kontrollera alltid att strömförsörjningens spänning överensstämmer med spänningen på märkplåten.

- Använd inte maskinen om nätkabeln eller nätkontakten är skadad.
- Använd endast förlängningskablar som är lämpliga för maskinens effektvärde med ett minimum tjocklek 1,5 mm². Om du använder en förlängningskabelrulle ska du alltid rulla ur kabeln helt.

2. MASKININFORMATION

Avsedd användning

Denna produkt är utformad för gräsklippning i hemmiljöer. Gräsklipparen är avsedd för privata trädgårdar hemma. Gräsklipparen får inte användas för att trimma buskar, häckar eller sly, för att skära av vegetation, planterade tak eller balkongod-lat gräs, för att rengöra (dammsuga) smuts och skräp från gångvägar eller för att hugga upp träd eller häckklipp. Dessutom kan gräsklipparen inte användas som kraftkultivator för att jämna ut höga områden som jordhögar. Utrustningen ska endast användas för det föreskrivna ändamålet. All annan användning anses vara ett fall av missbruk.

TEKNISKA SPECIFIKATIONER





Denna handbok har tagits fram för olika uppsättningar / artikelnummer. Kontrollera motsvarande artikelnummer i specifikations Tabellen nedan för korrekt sammansättning och innehåll i din uppsättning.


Modellnr.	Batterier ingår	Laddare ingår
LM504DC	-	-
S2_LM504DC	2 x CD801AA	2 x CD802AA
S4_LM504DC	2 x CD803AA	2 x CD802AA or 1 x CD820AA


MASKIN

Modellnr.	LM504DC
Spänning	40V (2 x 20V)
Varvtal utan belastning	3400/min
Skärbredd	330 mm
Skärhöjd	30/40/50/60/70mm
Kapacitet gräsbehållare	30 L
Vikt	8.5 kg
Skydds nivå	IPX1
Ljudtrycksnivå (L _{pa})	71.4dB(A), K=2.35dB(A)
Ljudeffektnivå (L _{wa})	91.4dB(A), K=2.35dB(A)
Vibrationsvärde	<2.5m/s ² , K=1.5m/s ²

BATTERI	
Modellnr.	CD801AA
Batterityp	Lithium-Ion
Spänning	20V 
Kapacitet	2.0 Ah
Rekommenderad laddare	CD802AA, CD820AA
Vikt	0.3 kg

Modellnr.	CD803AA
Batterityp	Lithium-Ion
Spänning	20V 
Kapacitet	4.0 Ah
Rekommenderad laddare	CD802AA, CD820AA
Vikt	0.65 kg

LADDARE	
Modellnr.	CD802AA
Laddarinmatning	220-240V, 50Hz 0.4A
Laddarutmatning	21V  2.5A
Laddningstid 2Ah batteri	60 minuter
Laddningstid 4Ah batteri	120 minuter
Rekommenderade batterier	CD801AA, CD803AA
Vikt	0.36 kg

Modellnr.	CD820AA
Laddarinmatning	220-240V, 50-60Hz, 200W
Laddarutmatning	21V  2.3A, <3.8A
Laddningstid 2Ah batteri	45 minuter
Laddningstid 4Ah batteri	85 minuter
Rekommenderade batterier	CD801AA, CD803AA
Vikt	0.81 kg

Använd endast följande batterier från VONROC VPOWER 20V batteriplattform. Användning av andra batterier kan orsaka allvarliga skador eller skador på verktyget.

CD801AA 20V, 2Ah Litium-jon
CD803AA 20V, 4Ah Litium-jon

Följande laddare kan användas för att ladda dessa batterier.

CD802AA Snabbladdare
CD820AA Dubbel snabbladdare

Batterierna från VONROC VPOWER 20V batteriplattform är utbytbara mellan alla VONROC VPOWER 20V batteriplattformens verktyg.

Vibrationsnivå

Vibrationsemissionsvärdet som står på baksidan av den här instruktionsboken har uppmätts enligt ett standardiserat test i enlighet med EN60335; detta värde kan användas för att jämföra vibrationen hos olika verktyg och som en ungefärlig uppskattning av hur stor vibration användaren utsätts för när verktyget används enligt det avsedda syftet:

- om verktyget används på ett annat än det avsedda syftet eller med fel eller dåligt underhållna tillbehör kan detta drastiskt öka vibrationsnivån;
- när verktyget stängs av eller är på men inte används, kan detta avsevärt minska vibrationsnivån.

Skydda dig mot vibration genom att underhålla verktyget och dess tillbehör, hålla händerna varma och styra upp ditt arbetssätt.

BESKRIVNING

Siffrorna i texten hänvisar till diagrammen på sidorna 2-6.

1. Övre handtag
2. Växelbrytare
3. Säkerhetsknapp
4. Strömkabel
5. Maskin
6. Kabelhållare
7. Bärhandtag
8. Hjul
9. Hjulskydd
10. Gräsupsamlare
11. Gräsupsamlarlock
12. Gräsupsamlarskydd
13. Gräsnivåindikator
14. Nedre handtag
- 15A. Handtagsjusteringsvred
- 15B. Bult för vred
16. Bärhandtag till gräsupsamlare
17. Höjdjusteringsspak
18. Gräsutkast
19. Batterilock
20. Batterifack

21. Säkerhetsnyckel (isolatorbrytare)
22. Upplåsningssknapp för batteriet
23. Batteri
24. Knapp för batteri-LED-indikatorer
25. Batteri-LED-indikatorer
26. Laddare
27. LED-laddningsindikering
28. Blad
29. Bladbult
30. Laddare
31. Röd LED-laddningsindikering
32. Gul LED-laddningsindikering
33. Grön LED-laddningsindikering

3. MONTERING



Ta bort batteriet innan du utför något arbete på elverket.



Batteriet måste laddas innan det används för första gången.



Varning: Använd endast batterier som är laddade till samma nivå. Kombinera aldrig fulla och halvfulla batterier. Ladda alltid de två batterierna samtidigt. Utrustningens drifttid beror på batteriet med den lägre laddningsnivån. De två batterierna måste alltid vara fulladdade före användning.

Insättning av batteriet i maskinen (Fig. A, J)



Se till att batteriets utsida är ren och torr innan du ansluter det till laddaren eller maskinen. Stäng batteriluckan före användning.

1. Öppna batterifacket lock (19).
2. Sätt in batteriet (23) i maskinens bas (20) enligt fig. J.
3. Skjut batteriet framåt tills det klickar på plats.
4. Upprepa för det andra batteriet (23).
5. Stäng luckan till batteriuttaget (19).

Borttagning av batteriet från maskinen (Fig. A, J)

1. Öppna batterifacket lock (19).
2. Dra ut batteriet (23) ur maskinens bas (20) enligt fig. J.
3. Upprepa för det andra batteriet (23).

Kontroll av batteriets laddningsstatus (Fig. K)

- Tryck kort på knappen (24) på batteriet för att kontrollera batteriets laddningsstatus.
- Batteriet har 3 lampor som indikerar laddningsnivån. Ju fler lampor som lyser, desto mer är batteriet laddat.
- När lamporna inte lyser betyder det att batteriet är tomt och måste laddas omedelbart.

Laddning av batteriet med CD802AA laddaren (Fig. K)

1. Ta ut batteriet (23) från maskinen.
2. Vänd batteriet (23) upp och ner och tryck in det i laddaren (26) enligt fig. K.
3. Tryck in batteriet tills det kommer in i luckan helt.
4. Koppla in laddarens kontakt i ett eluttag och vänta en stund. Laddarens (27) LED-indikeringar kommer att lysa och visa laddningsstatusen.

Laddaren har två laddningsindikeringslampor (27) som indikerar laddningsprocessens status:

Röd LED Status	Grön LED status	Laddningsstatus
Av	Av	Ingen ström
Av	På	Standbyläge: - Inget batteri insatt eller, - Batteri insatt men laddningen slutfördes
På	Av	Batteriladdning pågår

- Det kan ta upp till 60 minuter att fulladda 2 Ah-batteriet.
- Det kan ta upp till 120 minuter att fulladda 4 Ah-batteriet.

Ta ut laddningskontakten från uttaget och ta ut batteriet från laddaren när batteriet har fulladdats.



När maskinen inte används under längre tid är det bäst att lagra batteriet i laddat tillstånd.

Laddning av batteriet med CD820AA dubbelladdare (fig. L)

1. Ta ut batteriet (26) från maskinen.
2. Vänd batteriet (26) upp och ner och tryck in det i laddaren (30) enligt fig. L.

- Tryck in batteriet tills det kommer in i luckan helt.
- Koppla in laddarens kontakt i ett eluttag och vänta en stund. Laddarens (31, 32, 33) LED-indikeringar kommer att lysa och visa laddningsstatusen.

Laddaren har 6 laddningsindikeringslampa (31, 32, 33) som indikerar laddningsprocessens status:

Artikel	Villkor	LED-färg		
		Röd	Gul	Grön
Standby	Ström på	På	På	På
Laddar	Började ladda (10-19V DC±0.5V DC)	Blin-kar	Av	Av
	Halvklar laddning (19-20V DC±0.5V DC)	På	Blin-kar	Av
	Klar med laddning (20-21V DC±0.5V DC)	På	På	Blin-kar
Fulladdat	Underhållsladdning ≤300±150mA	På	På	På
	Sluta ladda			
Hög temperatur	Högtemperaturskydd av batteriet fungerar	På	På	På

- Det kan ta upp till 45 minuter att fulladda 2 Ah-batteriet.
- Det kan ta upp till 85 minuter att fulladda 4 Ah-batteriet.

Ta ut laddningskontakten från uttaget och ta ut batteriet från laddaren när batteriet har fulladdats.



När maskinen inte används under längre tid är det bäst att lagra batteriet i laddat tillstånd.

Montering av det nedre handtaget (fig. A, B)

- För in det nedre handtaget (14) i det avsedda hålet på gräsklipparkroppen, som visas i figur B. Se till att hålet i det nedre handtaget (14) är i linje med hålet i gräsklipparkroppen.
- Sätt i skruven i hålet och dra åt genom att vrida medurs, som visas i figur C.
- Upprepa dessa steg för det andra nedre handtaget (14).

Montering av det övre handtaget (fig. A, C, D)

- Fäst det övre handtaget (1) på det nedre handtaget (14) med de medföljande bultarna och handtagsknapparna (15A) som visas i figur C. Se till att strömbrytaren (3) sitter på höger sida när du står bakom gräsklipparen.
- Fäst kabeln i handtaget med hjälp av kabelhållarna (6), som visas i figur D.

Notera: När handtagsknapparna (15A) lossas kan det övre handtaget (1) fällas ner för förvaring av gräsklipparen. Se till att strömkabeln inte fastnar.

Ihopsättning och montering av gräsupsamlaren (fig. A, E, F, G, H)



Gräsklipparen ska inte användas utan att gräsupsamlaren eller skydden finns på plats.

Det är möjligt att använda gräsklipparen med eller utan gräsupsamlare. Kom ihåg att gräsupsamlarens lock (11) måste sänkas när du klipper utan gräsupsamlare. Använd inte gräsklipparen med utloppslocket lyft.

- Sätt ihop de två halvorna av gräsupsamlaren (10), som visas i figur I.
- Montera gräsupsamlarens lock (12) på den monterade gräsupsamlaren (10), som visas i figur F.
- Montera gräsupsamlarens bärhandtag (16) på gräsupsamlarens lock (12), som visas i figur G.
- Figur H visar en korrekt monterad gräsupsamlare.
- Lyft gräsupsamlarens lock (11) och fäst den monterade gräsupsamlaren på gräsklipparen. Se till att skårorna i gräsupsamlaren ligger i linje med hållarna på gräsklipparkroppen.

Obs: Gräsupsamlaren är försedd med en gräsni-våindikator (13) som visar mängden klippt gräs. Så länge gräsupsamlaren inte är full öppnas indikatorn. När gräsupsamlaren är full stängs indikatorn. I så fall ska du omedelbart sluta klippa och tömma gräsupsamlaren. Denna indikator är bara en grov riktlinje, av vilken funktionaliteten beror på tillståndet inuti gräsupsamlaren.

Byte av skärblad (fig. A, M)



Ta bort batteriet innan du utför något arbete på elverktyget.



När du monterar sågbladet, använd skyddshandskar. Risk för skador om man kommer i kontakt med sågbladet.



Använd endast blad som rekommenderas av tillverkaren.

1. Ta bort gräsbehållaren.
2. Vänd gräsklipparen på sidan.
3. Håll i ordentligt skärbladet med skyddshandskar.
4. Vrid skärbladets fästskruv moturs för att lossa den, som visas i figur P.
5. Byt ut eller slipa skärbladet.
6. Installera skärbladet, använd ovanstående procedur i omvänd ordning (håll i skärbladet måste sitta på spindelbultarna).
7. Det är bäst att överlåta slipning eller byte av skärblad till en kvalificerad person. Endast originaldelar skall användas. Alla defekter bör repareras av en verkstad som auktoriserats av tillverkaren.

4. ANVÄNDNING



Innan användning, inspektera alltid visuellt bladen, bladbultarna och klippmontaget för att se om de är slitna eller skadade. Ta bort batteriet från maskinen. Byt slitna eller skadade blad och bultar i set för att behålla balansen. Byt slitna eller skadade blad och bultar i set för att behålla balansen.



Om maskinen börjar vibrera onormalt (kontrollera omedelbart):

- inspektera för skada,
- ersätt eller reparera eventuella skadade delar,
- kontrollera för och dra åt eventuella lösa delar.



Stäng omedelbart av maskinen i följande fall:

- när du lämnar maskinen,
- innan du rensar blockeringar eller rensar rännan,
- innan du kontrollerar, rengör eller arbetar på maskinen,
- efter att ha träffat ett främmande föremål. Inspektera maskinen för skador och gör reparationer innan du startar om maskinen och använder den;



Var försiktig när du justerar maskinen så att inte fingrarna fastnar mellan knivar/delar som rör sig och maskinens fasta delar.

Inställning av klipphöjd (fig. A, I)

Stäng av utrustningen, vänta tills bladet stannar och ta bort batteriet. Det finns risk för skador. Beroende på önskad klipphöjd kan du justera höjden i ett av tre lägen. Justera klipphöjden efter behoven på din gräsmatta. Klipphöjden beror på typen av gräsmatta och dess faktiska höjd. När du klipper högt gräs, börja med maximal klipphöjd och gör ett andra klipp med lägre klipphöjd. En högre klipphöjd bör alltid väljas för säsongens första klippning.

1. Dra höjjusteringsspaken (17) utåt (bort från maskinhuset) enligt figur I.
2. Medan du håller höjjusteringsspaken (17) i utåtläge, tryck den framåt eller bakåt till önskad klipphöjd.
3. Släpp spaken (17) och se till att den sitter ordentligt i spåret.

OBS: Det finns 5 klipphöjdsnivåer tillgängliga: 30 mm, 40 mm, 50 mm, 60 mm, 70 mm.

Igångsättning och avstängning av maskinen (fig. A, N)



Innan du börjar, placera produkten på en plan yta fri från högt gräs.



Rengör undersidan av däckets innan du sätter på maskinen.



Håll fötterna undan från klippbladen.



Luta inte produkten när du startar eller sätter på motorn.

1. Se till att säkerhetsnyckeln (21) är isatt på avsedd plats under batteriluckan (19)
2. För att starta maskinen, håll in säkerhetsknappen (3) och tryck på strömbrytaren (2). Medan du håller på strömbrytaren (2) kan du släppa trycket på säkerhetsknappen (3).
3. För att stoppa maskinen, släpp strömbrytaren (2) och vänta tills skärbladet slutar rotera.

Användning av gräsklipparen (fig. A, O)

Se alltid till att ett säkert avstånd (som tillhandahålls av de långa handtagens längd) hålls mellan användaren och gräsklipparens hus.



Var särskilt försiktig när du klipper och ändrar riktning i backar och sluttningar. Behåll ett stabilt fotfäste och använd stadiga, halkfria skor och långbyxor. Klipp alltid längs med sluttningen (inte upp och ned). Av säkerhetsskäl får gräsklipparen inte användas för att klippa i sluttningar vars lutning överstiger 15 grader.



Var särskilt försiktig när du backar och drar gräsklipparen. Snubbelrisk!

Före användning

- Se till att gräsmattan är fri från stenar, pinnar, tråd eller andra föremål som kan skada produkten.
- Klipp inte vått gräs eftersom det tenderar att fastna på produktens undersida, vilket förhindrar korrekt utsläpp av gräsklipp, och det kan också få dig att halka och falla.
- Klipp aldrig av mer än en tredjedel av gräsets totala längd för en frisk gräsmatta. På hösten ska gräsmattor bara klippas så länge det växer.
- Skjut produkten långsamt framåt, tvinga inte.
- Klipp i lätt överlappande rader. Det mest effektiva sättet som hela gräsmattan klippas utan att missa några fläckar visas på figur O.
- Cirkla runt rabatter. När du når en rabatt mitt på gräsmattan, klipp en rad eller två runt omkretsen av rabatten.
- Var särskilt uppmärksam när du byter riktning.
- Klipp alltid längs med sluttningen (inte upp och ned). Du kan förhindra att gräsklipparen glider ner genom att hålla en position i vinkel uppåt.
- Välj klipphöjden efter gräsets längd. Gör flera övergångar för att förhindra att för mycket gräs klippas på en gång.
- Töm gräsupsamlaren regelbundet.

Notera: Drifttiden för de uppladdningsbara batterierna och därmed den yta i kvadratmeter som kan täckas med en enda batteriladdning är till stor del beroende av gräsets tillstånd (t.ex. täthet, fukt, höjd, klipphöjd etc.) och klippastigheten (gångastighet). För att anpassa områdets täck-

ning efter dina individuella behov, rekommenderas att du klipper gräsmattan oftare, med högre klipphöjd och med lämplig hastighet. Att ofta slå på och av utrustningen under klippning kommer också att minska mängden yta som du kan täcka. Om drifttiden för de laddningsbara batterierna (områdestäckningen) trots ovanstående åtgärder fortfarande är otillfredsställande, kan du åtgärda problemet genom att använda laddningsbara batterier med större kapacitet (Ah).

Efter användning

1. Efter användning, stäng av produkten, koppla ur säkerhetsnyckeln (21).
2. Ta bort batteriet (23).
3. Kontrollera, rengör och förvara produkten enligt beskrivningen i kapitlet "underhåll".

5. UNDERHÅLL

Stäng av utrustningen, vänta tills bladet stannar och ta bort batteriet. Det finns risk för skador.

Rengöring

Din gräsklippare har konstruerats för att fungera under lång tid med minimalt underhåll. Kontinuerlig tillfredsställande drift beror på korrekt gräsklippning och regelbunden rengöring.

- Håll gräsklipparen ren och torr.
- Använd regelbundet en trubbig skrapa för att ta bort gräs och smuts från gräsklipparen
- Använd endast mild såpa och en fuktig trasa för att rengöra gräsklipparen. Låt aldrig vätska komma in i verktyget och sänk aldrig ned någon del av verktyget i vätska. Använd inte någon slipande eller lösningsmedelsbaserat rengöringsmedel.

Stoppa bladet/bladen om maskinen måste lutas för transport vid korsning av andra ytor än gräs och vid transport av maskinen till och från området som ska användas. Starta inte maskinen när du står framför utloppsöppning.

Förvaring

Låt alltid maskinen svalna innan du ställer undan den. Byt slitna eller skadade delar av säkerhetsskäl. Använd endast originalreservdelar och tillbehör.

1. Stäng av produkten, koppla ur säkerhetsnyckeln (21) och ta bort batteriet (23) före förvaring.
2. Rengör produkten enligt beskrivningen ovan.
3. Förvara produkten och dess tillbehör på en mörk, torr, frostfri och välventilerad plats. Den idealiska lagringstemperaturen är mellan 10 °C och 30 °C.
4. Förvara alltid produkten på en plats som är oåtkomlig för barn.
5. Vi rekommenderar att du använder originalförpackningen för förvaring eller täcker produkten med en lämplig trasa eller hölje för att skydda den mot damm.

Transport

1. Stäng av produkten, koppla ur säkerhetsnyckeln (21) och ta bort batteriet (23) före transport.
2. Transportera alltid produkten i dess transporthandtag (7).
3. Skydda produkten från kraftiga stötar eller starka vibrationer som kan uppstå under transport i fordon.
4. Säkra produkten för att förhindra att den halkar eller faller och skadas.

MILJÖ



Felaktig och/eller kasserad elektrisk eller elektronisk utrustning måste lämnas in på lämpliga återvinningsstationer.

Endast för EU-länder

Kassera inte elverktyg i hushållsavfall. Enligt den europeiska riktlinjen 2012/19/EU om kasserad elektrisk och elektronisk utrustning och dess tillämpning i nationell rätt måste elverktyg som inte längre är användbara samlas in separat och kasseras på ett miljövänligt sätt.

GARANTI

VONROC produkter är utvecklade enligt högsta kvalitetsstandard och garanteras vara utan defekter både vad gäller material och tillverkning under den period som stipuleras enligt lag med början från ursprungligt inköpsdatum. Om något fel uppstår på produkten under denna period på grund av material- och/eller tillverkningsfel skall VONROC kontaktas direkt.

Följande omständigheter exkluderas från denna garanti:

- Reparationer eller ändringar som gjorts eller försökt göras på maskinen av ett icke auktoriserat servicecenter.
- Normalt slitage.
- Verktyget har missbrukats, använts fel eller underhållits på felaktigt sätt.
- Icke-originalreservdelar har använts.

Detta utgör hela garantin från företaget, antingen uttryckt eller underförstått. Det finns inga andra garantier, uttalade eller underförstådda som gäller utöver ordalydelsen härav, häri, inklusive de uttalade garantierna för säljbarhet och lämplighet för ett särskilt syfte. Under inga omständigheter skall VONROC hållas ansvarig för några oförutsedda eller indirekta skador. Återförsäljarens åtgärder skall begränsas till reparation eller byte av felaktiga enheter eller delar.

Med förbehåll för ändringar i produkten och bruksanvisningen. Specifikationer kan ändras utan förvarning.

1. SIKKERHEDSANVISNINGER



Læs de medfølgende sikkerhedsadvarsler, de supplerende sikkerhedsadvarsler og instruktionerne. Såfremt sikkerhedsadvarsler og instruktioner ikke følges, kan dette medføre elektriske stød, brand og/eller alvorlige ulykker. **Gem alle sikkerhedsadvarsler og instruktioner til fremtidig reference.**

Følgende symboler anvendes i denne brugermanual eller på produktet:



Læs brugermanualen.



Risiko for personskader.



Risiko for elektrisk stød.



Brug høreværn.



Bær øjenværn.



Forsigtig: Rør ikke ved roterende klinger. Skarp(e) klinge(r). Pas på ikke at skære tæer eller fingre over. Hold tilskuere, især børn og kæledyr, på en afstand på mindst 10 m.



Plæneklipperen må ikke bruges, hvis ikke både hele græsopsamleren eller værnet er på plads.



Brug den ikke i regn, og lad ikke plæneklipperen være udendørs, mens det regner.



Sluk og tag sikkerhedsnøglen (isolatorafbryderen) ud før justering og rengøring, og før du efterlader produktet uden opsyn i et hvilket som helst tidsrum.



Brug kun batterier, der er opladet til det samme niveau. Kombiner aldrig fulde og halvt fulde batterier. Oplad altid de to batterier samtidigt. Udstyrets driftstid afhænger af batteriet med det laveste opladningsniveau. De to batterier skal altid være ladet helt op før brug. Luk batteridækslet før brug.



Vent, indtil alle maskindele er standset helt, inden du rører ved dem. Klingerne bliver ved med at rotere, efter maskinen er slukket. En roterende klinge kan forårsage personskade.



Sørg for, at tilstedeværende ikke kommer til skade på grund af fremmedlegemer, der bliver smidt væk.



Advarsel: Hold en sikker afstand til produktet, når det anvendes.



Kontroller omhyggeligt det område, hvor værktøjet skal bruges, for dyr og kæledyr. Dyr og kæledyr kan blive skadet, mens maskinen er i drift. Kontroller arbejdsområdet grundigt, og fjern eventuelle sten, pinde, ledninger, knogler og fremmedlegemer. Når du bruger maskinen, skal du sikre dig, at der ikke er skjulte dyr, kæledyr eller små træstubbe i det tætte græs.



Brug kun batteriopladeren indendørs.



Overholder alle relevante EU-direktiver.



Kassér ikke produktet i en forkert container.



Det garanterede lydeffektniveau LWA = 96 dB(A).

GENERELLE SIKKERHEDSFORSKRIFTER



Advarsel! Læs alle sikkerhedsadvarsler og alle anvisninger. Hvis alle nedenstående instruktioner ikke følges, kan det resultere i elektrisk stød, brand og/eller alvorlig personskade.

Gem disse instruktioner.

Udtrykket "elektrisk maskine" i alle advarslerne nedenfor henviser til elektriske maskiner/værktøj/redskaber, der via en ledning tilkobles elnettet eller strømforsynes via batteri (accu).

1) Arbejdsområde

- a) Arbejdsområdet skal være rent og tilstrækkeligt belyst. Rodede og mærke arbejdsområder

giver større risiko for ulykker.

- b) **Brug ikke elektriske maskiner i eksplosive omgivelser, f.eks. i nærheden af brandfarlige væsker, gasser eller støv.** Elektriske maskiner frembringer gnister, som kan antænde støv eller dampe.
- c) **Hold børn og omkringstående på afstand, når der bruges elektriske maskiner.** Hvis man distraheres, kan man miste kontrollen over den elektriske maskine.

2) Elektrisk sikkerhed

- a) **Stik til elektriske maskiner skal passe til stikkontakten. Der må ikke foretages ændringer af stikket. Brug ikke snydepropper til jordede (jordforbundne) elektriske maskiner.** Originale stik og tilsvarende kontakter mindsker risikoen for elektrisk stød.
- b) **Undgå kropskontakt med jordede eller jordforbundne overflader som f.eks. rør, radiatorer, komfurer og køleskabe.** Der er øget risiko for elektrisk stød, hvis kroppen er jordet eller jordforbundet.
- c) **Elektriske maskiner må ikke udsættes for regn eller våde omgivelser.** Hvis der kommer vand i den elektriske maskine, øges risikoen for elektrisk stød.
- d) **Brug ikke ledningen forkert. Brug ikke ledningen til at bære eller trække maskinen og heller ikke for at tage ledningen ud af stikkontakten. Hold ledningen væk fra stærk varme, olie, skarpe kanter og bevægelige dele.** Beskadigede eller filtrede ledninger øger risikoen for elektrisk stød.
- e) **Når en elektrisk maskine bruges udendørs, skal man bruge en forlængerledning, der er beregnet til udendørs brug.** Hvis den bruges en forlængerledning, der er beregnet til udendørs brug, mindskes risikoen for elektrisk stød.
- f) **Hvis det ikke kan undgås at bruge et maskinværktøj i et fugtigt miljø, bør du anvende en forsyning, der er beskyttet af en fejlstrømsafbryder (RCD).** Brugen af en RCD reducerer risikoen for elektrisk stød.

3) Personlig sikkerhed

- a) **Vær agtpågivende, hold øjnene rette mod det, du laver, og brug almindelig sund fornuft, når du bruger en elektrisk maskine. Brug ikke en elektrisk maskine, hvis du er træt eller er under påvirkning af narkotika, alkohol eller medicin.** Et øjeblik uopmærksomhed under arbejdet med en elektrisk maskine kan resultere i alvorlig personskade.
- b) **Brug personligt sikkerhedsudstyr. Brug altid**

beskyttelsesbriller. Sikkerhedsudstyr som støvmaske, skridsikre sko, hjelm eller høreværn, brugt når det er nødvendigt, mindsker risikoen for personskade.

- c) **Undgå utilsigtet start. Sørg for, at der er slukket på afbryderen, før stikket sættes i stikkontakten.** Hvis maskinværktøj bæres med fingeren på kontakten, eller når maskinværktøj strømføres med tændt kontakt, kan der nemt ske ulykker.
 - d) **Fjern justeringsnøgler og tænger, før der tændes for den elektriske maskine.** En tang eller nøgle, der sidder på en roterende del af den elektriske maskine, kan resultere i personskade.
 - e) **Ræk ikke for langt ud. Stå sikkert på fødderne og vær altid i god balance.** Det giver bedre kontrol over maskinen i uventede situationer.
 - f) **Tag passende tøj på. Bær ikke løstsiddende tøj eller smykker. Hold hår, tøj og handske væk fra bevægelige dele.** Løstsiddende tøj, smykker eller langt hår kan blive grebet af bevægelige dele.
 - g) **Hvis der forefindes tilslutning til støvudsugning og -opsamling, skal man sørge for, at udstyret er tilsluttet og bruges.** Brug disse muligheder for at mindske risikoen for støvrelaterede risici.
 - h) **Lad ikke kendskab opnået gennem hyppig brug af værktøj lade dig blive tilbagelænet og ignorere værktøjsikkerhedsprincipper.** En skødesløs handling kan forårsage alvorlig personskade inden for en brøkdel af et sekund.
- ## 4) Brug og behandling af elektriske maskiner
- a) **Brug ikke magt på den elektriske maskine. Brug kun den elektriske maskine til det, den er beregnet til.** Den rette elektriske maskine gør arbejdet bedre og mere sikkert ved den effekt, der er foreskrevet.
 - b) **Brug ikke den elektriske maskine, hvis afbryderen ikke kan tænde og slukke.** En elektrisk maskine, der ikke kan tændes og slukkes på afbryderen, er farlig og skal repareres.
 - c) **Tag stikket ud af stikkontakten før justering, udskiftning af tilbehør, og før den elektriske maskine gemmes væk.** Sådanne forebyggende sikkerhedsforanstaltninger mindsker risikoen for, at den elektriske maskine starter ved et uheld.
 - d) **Elektriske maskiner, der ikke bruges, skal opbevares utilgængeligt for børn, og personer, der ikke har kendskab til den elektriske maskine eller disse instruktioner, må ikke bruge den elektriske maskine.** Elektriske maskiner er farlige i hænderne på uøvede personer.

- e) **Elektriske maskiner skal vedligeholdes. Check for forkert justering og fastsiddende bevægelige dele, defekte dele og andre ting, som kan påvirke den elektriske maskines korrekte funktion. Hvis den elektriske maskine er beskadiget, skal den repareres før brug.** Mange ulykker skyldes, at elektriske maskiner er dårligt vedligeholdt.
- f) **Skærende værktøj skal holdes skarpe og rene.** Korrekt vedligeholdt skærende værktøj med skarpe skær kommer ikke så let til at sidde fast og er nemmere at styre.
- g) **Brug den elektriske maskine, tilbehør, tool-bits osv. i henhold til disse instruktioner og på den måde, som denne specielle maskine er beregnet til, idet man skal tage hensyn til arbejdsforholdene og arbejdet, der skal udføres.** Brug af den elektriske maskine til andet, end den er beregnet til, kan resultere i farlige situationer.
- h) **Hold håndtag og gribeblader tørre, rene og fri fra olie og fedtstof.** Glatte håndtag og gribeblader giver ikke mulighed for sikker håndtering og kontrol af værktøjet i uventede situationer.
- 5) **Batteriværktøj anvendelse og vedligeholdelse**
- a) **Genoplad kun med oplader som er specificeret af fabrikanten.** En oplader som er anvendelig for en type batteripakning kan forårsage brand, når den anvendes med en anden batteripakning.
- b) **Anvend kun elektroværktøj med særlig egnede batteripakninger.** Anvendelse af enhver anden batteripakning kan give risiko for ulykker og brandfare.
- c) **Når batteripakning ikke anvendes, holdes det altid på afstand af enhver metalgenstand såsom papirklips, mønter, nøgler, søm eller andre små metal genstande der kan lave en forbindelse fra én terminal til en anden.** Ved at kortslutte batteriterminalerne sammen kan forårsage brandfare.
- d) **Under dårlige forhold kan væske udløbe fra batteriet; undgå kontakt med dette. Hvis kontakt alligevel forekommer, skylles der med vand. Hvis væske kommer i øjnene, skal der øjeblikkeligt søges lægehjælp.** Væske som udløber fra batteriet kan forårsage irritationer og forbrændinger.
- e) **Brug ikke en batteripakke eller et værktøj, der er beskadiget eller modificeret.** Beskadigede eller modificerede batterier kan udvise uforudsigelig adfærd, hvilket resulterer i brand, eksplosion eller risiko for personskade.
- f) **Undlad at udsætte en batteripakke eller et værktøj for åben ild eller for høj temperatur.** Udsættelse for åben ild eller temperatur over 130 °C kan forårsage eksplosion.
- BEMÆRK Temperaturen „130 °C“ kan erstattes af temperaturen „265 °F“.
- g) **Følg alle opladningsinstruktioner, og oplad ikke batteripakken eller værktøjet uden for temperaturintervallet specificeret i instruktionerne.** Forkert opladning eller opladning ved temperaturer uden for det specificerede interval kan beskadige batteriet og øge risikoen for brand.
- 6) **Service**
- a) **Få foretaget service på dit maskinværktøj af en kvalificeret reparatør, der kun bruger identiske udskiftningsdele.** Dette sikrer, at maskinværktøjet fortsat er sikkert at bruge.
- b) **Foretag aldrig service på beskadigede batteripakker.** Service af batteripakker bør kun udføres af producenten eller autoriserede serviceudbydere.

YDERLIGERE SIKKERHEDSINSTRUKTION FOR BATTERIDREVNE PLÆNEKLIPPERE

- Lad aldrig børn eller personer, som ikke har kendskab til disse instruktioner, bruge produktet. Lokale forskrifter kan begrænse operatørens alder. Når det ikke er i brug, skal produktet opbevares uden for børns rækkevidde.
- Lad aldrig børn, personer med fysiske, sensoriske eller mentale begrænsninger eller mangel på erfaring og/eller viden og/eller personer, der ikke er bekendt med disse instruktioner, bruge produktet. Lokale forskrifter kan begrænse operatørens alder.
- Børn bør overvåges for at sikre, at de ikke leger med produktet.
- Du bør aldrig arbejde, når der er personer, især børn, eller dyr i nærheden.
- Brugeren er ansvarlig for ulykker eller farer, der opstår for andre mennesker eller deres ejendom.
- Hav ikke åbne gummisko eller sandaler på, når du bruger produktet. Hav altid robuste sko og lange bukser på. Brug det ikke med bare fødder.
- Undersøg grundigt det område, hvor maskinen skal bruges, og fjern alle sten, pinde, ledninger, knogler og andre fremmedlegemer.
- Inden brug skal du altid se det visuelt efter for at kontrollere, at klinger, klingebolte og skæresamling ikke er slidte eller beskadigede. Udskift slidte eller beskadigede klinger og bolte i sæt for at bevare balancen.

- Slå kun græs i dagslys eller god kunstig belysning.
- Undgå at slå græs i dårlige vejrforhold, især når der er risiko for lyn.
- Undgå om muligt at betjene maskinen i vådt græs.
- Gå. Løb aldrig.
- Brug aldrig maskinen med defekte afskærmninger eller beskyttelsesværn, eller uden at der er monteret sikkerhedsanordninger, f.eks. deflektorer og/eller græsopsamlere.
- Du anbefales at bære høreværn af hensyn til din egen bekvemmelighed.
- Brug aldrig produktet, når du er træt, syg eller påvirket af alkohol, stoffer eller medicin.
- Det kan være farligt at arbejde på skrænter:
 - Klip ikke på for stejle skråninger.
 - Hav altid et sikkert fodfæste på skråninger eller vådt græs.
 - Klip på tværs af skråninger, aldrig op og ned.
 - Vær utrolig forsigtig, når du skifter retning på skråninger.
- Vær yderst forsigtig, når du træder tilbage eller trækker maskinen mod dig.
- Klip aldrig ved at trække plæneklipperen mod dig.
- Vent, indtil klingerne stopper, hvis maskinen skal vippes i forbindelse med transport, når den kører på andre overflader end græs, og når maskinen transporteres til og fra det område, der skal klippes.
- Vip ikke maskinen, når du starter eller tænder for motoren.
- Tænd for motoren i henhold til instruktionerne, og hold fødderne på god afstand fra roterende dele.
- Hav aldrig hænder eller fødder i nærheden eller under roterende dele.
- Hold dig altid væk fra udføringsområdet, når du bruger maskinen.
- Du må aldrig tage maskinen op eller bære den, mens motoren kører.
- Under opbevaring skal du sørge for, at alle 4 hjul på haveredskabet står på jorden/gulvet.
- Løft kun haveredskabet med bærehåndtaget. Vær forsigtig, når du bruger bærehåndtaget.
- Undlad at modificere maskinen. Uautoriserede ændringer kan forringe din maskines sikkerhed, føre til øget støj og vibrationer samt dårlig ydeevne.

- Fjern sikkerhedsnøglen (isolatorafbryder):
 - Hver gang du forlader maskinen.
 - Inden du fjerner en blokering.
 - Inden du kontrollerer, rengør eller arbejder på maskinen.
 - Efter du rammer et fremmedlegeme. Se maskinen efter for skader og udskift klingens efter behov.
 - Hvis maskinen begynder at vibrere unormalt (undersøg med det samme).

SIKKERHEDSADVARSLER FOR BATTERI

- a) **Åbn ikke batteriet.** Fare for kortslutning.
- b) **Beskyt batteriet mod varme, f.eks. mod kontinuerligt intenst sollys, brand, vand og fugt.** Fare for eksplosion.
- c) **I tilfælde af skade og forkert brug af batteriet, kan der blive udsendt dampe. Udluft området, og søg lægehjælp i tilfælde af klager.** Dampene kan irritere åndedrætssystemet.
- d) **Brug kun batteriet sammen med dit VONROC-produkt.** Denne foranstaltning alene beskytter batteriet mod farlig overbelastning.
- e) **Batteriet kan blive beskadiget af spidse genstande såsom søm eller skruetrækkere eller af eksternt påført kraft.** Der kan opstå en intern kortslutning, og batteriet kan brænde, ryge, eksplodere eller blive overophedet.

VEDRØRENDE OPLADEREN

Tilsigtet brug

Oplad kun CD801AA og CD803AA genopladelig type Batteripakker med opladeren. Andre typer batterier kan sprænge og dermed forårsage personskader og beskadigelser.

- a) **Dette apparat er ikke beregnet til at blive anvendt af personer (herunder børn) med reducerede fysiske, sansemæssige eller mentale evner samt med manglende erfaring eller viden, med mindre de bliver overvåget eller instrueret.**
- b) **Børn skal overvåges, så de ikke leger med apparatet.**
- c) **Oplad ikke batterier, der ikke er genopladelige!**
- d) **Under opladningen skal batterierne anbringes i et område med god udluftning!**



Dette apparat kan anvendes af børn på 8 år og derover samt af personer med nedsatte fysiske, sensoriske eller mentale evner eller manglende erfaring og viden, hvis de holdes under opsyn eller har fået vejledning

i at bruge apparatet på en sikker måde og forstå de dermed forbundne risici. Børn må ikke lege med apparatet. Rengøring og brugervedligeholdelse må ikke udføres af børn uden opsyn.

Elektrisk sikkerhed



Kontroller altid, at strømforsyningens spænding svarer til spændingen på typeskiltet.

- Brug ikke maskinen, hvis strømkablet eller stikket er beskadiget.
- Brug kun forlængerledninger, der passer til maskinens spænding og som har en minimumtykkelse på 1.5 mm². Hvis du anvender en kabeltromle, skal kablet altid rulles helt ud.

2. MASKINOPLYSNINGER

Tilsigtet brug

Dette produkt er udformet til plæneklipping i hus holdningsmiljøer. Plæneklipperen er beregnet til private haver i hjem. Plæneklipperen må ikke bruges til at klippe buske, hække eller krat, til at klippe skaleret vegetation, plantede tage eller græs dyrket på balkoner, til at rense (støvsuge) snavs og rester eller til at skære træer eller afklippede hække dele. Derudover må plæneklipperen ikke bruges som en strømkultivator til at udjævne høje områder såsom muldvarpeskud. Udstyret må kun bruges til dets beregnede formål. Enhver anden anvendelse anses for at være misbrug.

TEKNISKE SPECIFIKATIONER



Denne vejledning er udarbejdet til forskellige sæt/varenumre. Kontroller det tilsvarende varenummer i nedenstående tabel med specifikationer for den korrekte sammensætning og indholdet af dit sæt.

Model nr.	Batterier inkluderet	Opladere inkluderet
LM504DC	-	-
S2_LM504DC	2 x CD801AA	2 x CD802AA
S4_LM504DC	2 x CD803AA	2 x CD802AA or 1 x CD820AA

MASKINE

Model nr.	LM504DC
Spænding	40V (2 x 20V) ===
Hastighed uden last	3400/min
Klippebredde	330 mm
Klippehøjde	30/40/50/60/70mm
Græsbeholderens kapacitet	30 L
Vægt	8.5 kg
Beskyttelsesniveau	IPX1
Lydtrykniveau (L _{pa})	71.4dB(A), K=2.35dB(A)
Lydeffektniveau (L _{wa})	91.4dB(A), K=2.35dB(A)
Vibrationsværdi	<2.5m/s ² , K=1.5m/s ²

BATTERI

Modellnr.	CD801AA
Batteritype	Lithium-Ion
Spænding	20V ===
Kapacitet	2.0 Ah
Anbefalet oplader	CD802AA, CD820AA
Vagt	0.3 kg

Model nr.	CD803AA
Batteritype	Lithium-Ion
Spænding	20V ===
Kapacitet	4.0 Ah
Anbefalet oplader	CD802AA, CD820AA
Vagt	0.65 kg

OPLADER

Model nr.	CD802AA
Opladerinput	220-240V, 50Hz 0.4A
Opladeroutput	21V === 2.5A
Opladningstid 2 Ah batteri	60 minutter
Opladningstid 4 Ah batteri	120 minutter
Anbefalede batterier	CD801AA, CD803AA
Vagt	0.36 kg

Model nr.	CD820AA
Opladerinput	220-240V, 50-60Hz, 200W
Opladeroutput	21V === 2.3A, <3.8A

Opladningstid 2 Ah batteri	45 minutter
Opladningstid 4 Ah batteri	85 minutter
Anbefalede batterier	CD801AA, CD803AA
Vægt	0.81 kg

Brug kun de følgende batterier af VONROC VPOWER 20V-batteriplatform. Brug af andre batterier kan forårsage personskade eller beskadigelse af værktøjet.

CD801AA 20V, 2Ah Lithium-Ion
 CD803AA 20V, 4Ah Lithium-Ion

Den følgende oplader kan bruges til at oplade disse batterier.

CD802AA Hurtig oplader
 CD820AA Dobbelt hurtigoplader

Batterierne af VONROC VPOWER 20V-batteriplatformen kan udskiftes med alle VONROC VPOWER 20V batteriplatformsværktøjer.

Vibrationsniveau

Det vibrationsniveau, der er anført bag på denne betjeningsvejledning er målt i henhold til den standardiserede test som anført i EN60335; den kan benyttes til at sammenligne to stykker værktøj og som en foreløbig bedømmelse af udsættelsen for vibrationer, når værktøjet anvendes til de nævnte formål:

- anvendes værktøjet til andre formål eller med andet eller dårligt vedligeholdt tilbehør, kan dette øge udsættelsesniveauet betydeligt;
- de tidsrum, hvor værktøjet er slukket, eller hvor det kører uden reelt at udføre noget arbejde, kan reducere udsættelsesniveauet betydeligt.

Beskyt dig selv imod virkningerne af vibrationer ved at vedligeholde værktøjet og dets tilbehør, ved at holde dine hænder varme og ved at organisere dine arbejdsmønstre.

BESKRIVELSE

Tallene i teksten henviser til diagrammerne på side 2-6.

1. Øverste håndtag
2. Tænd/sluk-kontakt
3. Sikkerhedsknap
4. Strømkabel
5. Maskine

6. Kabelholder
7. Bærehåndtag
8. Hjul
9. Hjuldæksel
10. Græsbeholderkurv
11. Græsbeholderlås
12. Græsbeholderdæksel
13. Indikator for græsniveau
14. Nederste håndtag
- 15A. Knap til justering af håndtag
- 15B. Bolt til knap
16. Bærehåndtag til græsbeholder
17. Højdejusteringsgreb
18. Græsudgang
19. Dæksel til batterirum
20. Batterirum
21. Sikkerhedsnøgle (isolatorafbryder)
22. Knap til oplåsning af batteri
23. Batteri
24. Knap til LED-indikatorer for batteri
25. LED-indikatorer for batteri
26. Oplader
27. LED-indikatorer for oplader
28. Klinge
29. Klingebolte
30. Oplader
31. Rød LED-indikator for oplader
32. Gul LED-indikator for oplader
33. Grøn LED-indikator for oplader

3. SAMLING



Tag batteriet ud, inden der udføres arbejde på el-værktøjet.



Batteriet skal oplades inden første brug.



Advarsel: Brug kun batterier, der er opladet til det samme niveau. Kombiner aldrig fulde og halvt fulde batterier. Oplad altid de to batterier samtidigt. Udstyrets driftstid afhænger af batteriet med det laveste opladningsniveau. De to batterier skal altid være ladet helt op før brug.

Sådan sættes batteriet ind i maskinen (Fig. A, J)



Sørg for, at batteriets yderside er ren og tør, inden du forbinder det til opladeren eller maskinen.



Luk batteridækslet før brug.

1. Åbn batterirumdækslet (19).
2. Sæt batteriet (23) ind i batterirummet (20), som vist på fig. J.
3. Skub batteriet længere frem, indtil det klikker på plads.
4. Gentag for det andet batteri (23).
5. Luk batterirummets dæksel (19).

Sådan tages batteriet ud af maskinen (Fig. A, J)

1. Åbn batterirumdækslet (19).
2. Træk batteriet (23) ud af batterirummet (20), som vist på fig. J.
3. Gentag for det andet batteri (23).

Kontrol af batteriets opladestatus (Fig. K)

- Tryk kortvarigt på knappen (24) på batteriet for at kontrollere batteriets opladningsstatus.
- Batteriet har 3 lamper, der angiver opladningsniveauet. Jo flere lamper, der lyser, des mere opladning er der tilbage i batteriet.
- Når lamperne ikke lyser, betyder det, at batteriet er tomt og skal oplades med det samme.

Opladning af batteriet med opladeren CD802AA (Fig. K)

1. Tag batteriet (23) ud af maskinen.
2. Vend batteriet (23) på hovedet, og skub det ind i opladeren (26), som vist på fig. K.
3. Skub batteriet, indtil det er helt inde i åbningen.
4. Sæt opladerstikket i en stikkontakt, og vent et øjeblik. LED-indikatorerne (27) på opladeren lyser og viser opladerens status.

Opladeren har 2 LED-indikatorer (27), som indikerer opladningsprocessens status:

Rød LED status	Grøn LED status	Opladerstatus
Slukket	Slukket	No power
Slukket	Tændt	Standby-tilstand: - Intet batteri isat, eller - Batteri isat, men opladningen blev afsluttet
Tændt	Slukket	Batteriopladning i gang

- Det kan tage op til 60 minutter at lade 2 Ah batteriet helt op.
- Det kan tage op til 120 minutter at lade 4 Ah batteriet helt op.

Når batteriet er ladet helt op, skal du tage opladerens stik ud af kontakten og fjerne batteriet fra opladeren.



Når maskinen ikke bruges gennem en længere periode, er det bedst at opbevare batteriet i opladet tilstand.

Opladning af batteriet med dobbelt opladeren CD820AA (fig. L)

1. Tag batteriet (26) ud af maskinen.
2. Vend batteriet (26) på hovedet, og skub det ind i opladeren (30), som vist på fig. L.
3. Skub batteriet, indtil det er helt inde i åbningen.
4. Sæt opladerstikket i en stikkontakt, og vent et øjeblik. LED-indikatorerne (31, 32, 33) på opladeren lyser og viser opladerens status.

Opladeren har 6 LED-indikatorer (31, 32, 33), som indikerer opladningsprocessens status:

Element	Betingelser	LED-farve		
		Rød	Gul	Grøn
Stand by	Power on	Tændt	Tændt	Tændt
Charging	Started charging (10-19V DC±0.5V DC)	Blinker	Slukket	Slukket
	Halfway charging (19-20V DC±0.5V DC)	Tændt	Blinker	Slukket
	Finished charging (20-21V DC±0.5V DC)	Tændt	Tændt	Blinker
Fully charged	Trickle charging ≤300±150mA	Tændt	Tændt	Tændt
	Stop charging			
High temperature	High-temperature protection of the battery works	Tændt	Tændt	Tændt

- Det kan tage op til 45 minutter at lade 2 Ah batteriet helt op.
- Det kan tage op til 85 minutter at lade 4 Ah batteriet helt op.

Når batteriet er ladet helt op, skal du tage opladerens stik ud af kontakten og fjerne batteriet fra opladeren.



Når maskinen ikke bruges gennem en længere periode, er det bedst at opbevare batteriet i opladet tilstand.

Montering af det nederste håndtag (fig. A, B)


1. Indsæt det nederste håndtag (14) i det tilsigtede hul på plæneklipperen, som vist på figur B. Sørg for, at hullet i det nederste håndtag (14) flugter med hullet i plæneklipperen.
2. Indsæt skruen i hullet, og stram den ved at dreje med uret, som vist på figur B.
3. Gentag disse trin for det andet nederste håndtag (14).

Montering af det øverste håndtag (fig. A, C, D)

1. Fastgør det øverste håndtag (1) til det nederste håndtag (14) ved hjælp af de medfølgende bolte (15B) og håndtagsknapper (15A), som vist på figur C. Sørg for, at samlingen af sikkerhedsafbryderen (3) er på højre side, når du står bag plæneklipperen.
2. Fastgør kablet til håndtaget ved hjælp af kabelholderen (6), som vist på figur D.

Bemærk: Når håndtagsknapperne (15A) løsnes, kan det øverste håndtag (1) foldes ned ved opbevaring af plæneklipperen. Sørg for, at strømkablet ikke sidder fast.

Samling og montering af græsbeholderen (fig. A, E, F, G, H)

 *Plæneklipperen må ikke betjenes, hvis ikke enten hele græsopsamleren eller afskærmningen på plads.*

Plæneklipperen kan anvendes med eller uden græsbeholderen. Husk dog, at når du klipper græs uden græsbeholderen, skal låget til græsbeholderen (11) sænkes. Anvend ikke plæneklipperen, mens udgangslåget er løftet.

1. Sammensæt de to halvdele af græsbeholderkurven (10), som vist på figur E.
2. Monter græsbeholderens dæksel (12) på den samlede græsbeholderkurv (10), som vist på figur F.
3. Monter græsbeholderens bærehåndtag (16) på græsbeholderens dæksel (12), som vist på figur G.
4. Figur H viser en korrekt samlet græsbeholder.
5. Løft græsbeholderens låg (11), og fastgør den monterede græsbeholder på plæneklipperen. Sørg for, at græsbeholderens kærve flugter korrekt med holderne på selve plæneklipperen.

Bemærk: Græsbeholderen er udstyret med en græsniveauindikator (13), som viser mængden af klippet græs. Så længe græsbeholderen ikke er fuld, åbnes indikatoren. Når græsbeholderen er fuld, lukkes indikatoren. Hold i så fald op med græsklipningen, og tøm græsbeholderen. Denne indikator er kun en omtrentlig retningslinje, og funktionen afhænger af tilstanden inde i græskurven.

Udskiftning af skæreklingen (fig. A, M)

Tag batteriet ud, inden der udføres arbejde på el-værktøjet.



Når du udskifter skæreklingen, skal du bære beskyttelseshandsker. Fare for personskade, når skæreklingen berøres.



Brug kun klinger, der anbefales af producenten.

1. Fjern græsbeholderen.
2. Vend plæneklipperen om på dens side.
3. Hold godt fast i skæreklingen med brug af beskyttelseshandsker.
4. Drej fastgørelsesskruen til skæreklingen mod uret for at løsne den, som vist på figur P.
5. Udskift eller skærp skæreklingen.
6. Installer skæreklingen ved at bruge ovenstående procedure i omvendt rækkefølge (hullerne i skæreklingen skal placeres på spindelstifterne).
7. Det er bedst at lade en kvalificeret person skærpe eller udskifte skæreklingen. Der må kun bruges originale dele. Alle fejl skal repareres af et serviceværksted, der er autoriseret af producenten.

4. DRIFT

Inden brug skal du altid se det visuelt efter for at kontrollere, at klinger, klingebolte og skæresamling ikke er slidte eller beskadigede. Fjern batteriet fra værktøjet. Udskift slidte eller beskadigede klinger og bolte i sæt for at bevare balancen. Udskift slidte eller beskadigede klinger og bolte i sæt for at bevare balancen.



Hvis maskinen begynder at vibrere unormalt (undersøg med det samme):

- se efter for skader,
- udskift eller reparer beskadigede dele,
- se efter for løse dele og stram dem.



Sluk straks for maskinen i følgende tilfælde:

- hver gang du forlader maskinen,
- inden du rydder tilstopninger eller renses skakten,
- inden du kontrollerer, rengør eller arbejder på maskinen,
- efter du rammer et fremmedlegeme. Se maskinen efter for skader, og foretag reparationer, inden du genstarter og betjener maskinen.



Vær forsigtig under justering af maskinen for at forhindre, at fingrene kommer i klemme mellem bevægelige klinger og faste dele på maskinen.

Justering af skærehøjden (fig. A, I)

Sluk for udstyret, vent på, at klingen stopper, og tag batteriet ud. Der er risiko for personskade. Afhængigt af den foretrukne klippehøjde kan du justere højdeniveauet i en af fem positioner. Juster klippehøjden i henhold til din græsplænes behov. Klippehøjden afhænger af græsplænenes type og dens faktiske højde. Når du slår højt græs, skal du starte med den maksimale klippehøjde og foretage endnu en klipning med en lavere klippehøjde. Der bør altid vælges en højere klippehøjde ved sæsonens første klipning.

1. Træk højdejusteringsgrebet (17) udad (væk fra maskinhuset), som vist på figur I.
2. Mens du holder højdejusteringsgrebet (17) i udadgående position, skal du skubbe det frem eller tilbage til den ønskede klippehøjde.
3. Slip grebet (17) og sørg for, at det kobles korrekt ind i sprækken.

BEMÆRK: Der er 5 tilgængelige klippehøjdeniveauer: 30 mm, 40 mm, 50 mm, 60 mm, 70 mm.

Tænd/sluk maskinen (fig. A, N)



Før du starter, skal du stille produktet på en flad overflade, der er fri for højt græs.



Rengør undersiden af skjoldet, før du tænder for maskinen.



Hold fødderne godt væk fra skæreklingen.



Vip ikke produktet, når du starter motoren.

1. Sørg for, at sikkerhedsnøglen (21) indsættes på det tilsigtede sted under batteridækslet (19)
2. Start maskinen ved at trykke og holde på sikkerhedsknappen (3) og trykke på tænd/sluk-kontakten (2). Mens du holder på tænd/sluk-kontakten (2), kan du slippe trykket på sikkerhedsknappen (3).
3. Stop maskinen ved at slippe tænd/sluk-kontakten (2) og vente, til skæreklingen holder op med at rotere.

Brug af plæneklipperen (fig. A, O)



Sørg altid for, at der holdes en sikker afstand (muliggjort takket være de lange håndtags længde) mellem brugeren og plæneklipperens hus.



Vær særlig forsigtig, når du slår græs og skifter retning på skrænter og skråninger. Hav et solidt fodfæste og brug kraftigt, skridsikkert fodtøj og lange bukser. Klip altid langs skråningen (ikke op og ned ad den). Af sikkerhedsmæssige årsager må plæneklipperen ikke bruges til at klippe skråninger, der har en hældning på over 15 grader.



Vær særlig forsigtig, når du går baglæns og trækker plæneklipperen. Fare for at snuble!

Før brug

- Sørg for, at plænen er fri for sten, pinde, ledninger eller andre genstande, der kan beskadige produktet eller dets ledning.
- Undlad at klippe vådt græs, da det har tendens til at klæbe til produktets underside, hvilket forhindrer korrekt udførelse af afklippet græs, og det kan også få dig til at glide og falde.
- Klip aldrig mere end en tredjedel af den samlede græslængde for at få en sund græsplæne. Om efteråret bør græsplæner kun klippes, så længe der er vækst.
- Skub langsomt produktet frem, og brug ikke for meget kraft.
- Slå græs i lettere overlappende rækker. Den mest effektive at klippe græsplænen på er uden, at der mangler punkter, som vist på figur O.
- Klip rundt om blomsterbede. Når du når til et blomsterbed midt på plænen, skal du klippe en række eller to omkring blomsterbedets omkreds.
- Vær særlig opmærksom, når du skifter retning.

- Klip altid langs skråninger (ikke op og ned ad dem). Du kan forhindre plæneklipperen i at glide ned ved at holde den i en opadrettet vinkel.
- Vælg klippehøjden i henhold til græssets længde. Slå ad flere omgange for at forhindre, at der bliver slået for meget græs på én gang.
- Tøm græsbeholderen regelmæssigt.

Bemærk: Driftstiden af de genopladelige batterier, og dermed det område i kvadratmeter, der kan dækkes med en enkelt batteriopladning, afhænger i høj grad af græssets tilstand (f.eks. tæthed, fugt, højde, klippehøjde osv.) og klippehastigheden (gåhastighed). For at tilpasse områdedækningen til dine individuelle behov, anbefales det, at du slår græsplænen oftere, med en højere klippehøjde og med en passende hastighed. Hvis du tænder og slukker for udstyret, mens du slår græs, vil det også reducere det område, du kan dække. Hvis de genopladelige batteriers driftstid (områdedækning) stadig er utilfredsstillende på trods af ovenstående foranstaltninger, kan du afhjælpe problemet ved at bruge genopladelige batterier med en større kapacitet (Ah).

Efter brug

1. Efter brug skal du slukke for produktet og frakoble sikkerhedsnøglen (21).
2. Tag batteripakkerne (23) ud.
3. Kontroller, rengør og opbevar produktet som beskrevet i kapitlet "vedligeholdelse".

5. VEDLIGEHOLDELSE



Sluk for udstyret, vent på, at klingens stopper, og tag batteriet ud. Der er risiko for personskaade.

Rengøring

Din plæneklipper er udformet til at fungere i lang tid med mindst mulig vedligeholdelse. En kontinuerlig tilfredsstillende drift afhænger af plæneklipperens korrekte vedligeholdelse og regelmæssige rengøring.

- Hold plæneklipperen ren og tør.
- Brug regelmæssigt en stump skraber til at fjerne græs og snavs fra plæneklipperen
- Brug kun mild sæbe og en fugtig klud til at rengøre plæneklipperen. Lad aldrig væske komme ind i værktøjet, og nedsænk aldrig nogen del af værktøjet i væske. Brug ikke et slibende eller opløsningsmiddelbaseret rengøringsmiddel.

Stop kniven/knivene, hvis maskinen skal vippes for transport ved passage af andre overflader end græs, og ved transport af maskinen til og fra det område, der skal bruges. Start ikke maskinen, når du står foran udledningsåbning.

Opbevaring

Lad altid maskinen køle af, før den stilles til opbevaring. Udskift slidte eller beskadigede dele af hensyn til sikkerhed. Brug kun originale reservedele og tilbehør.

1. Sluk for produktet, frakobl sikkerhedsnøglen (21) og tag batteripakken (23) ud før opbevaring.
2. Rengør produktet som beskrevet ovenfor.
3. Opbevar produktet og dets tilbehør på et mørkt, tørt og frostfrit sted med god ventilation. Den ideelle opbevaringstemperatur er mellem 10 °C og 30 °C.
4. Opbevar altid produktet et sted, der er utilgængeligt for børn.
5. Vi anbefaler at bruge den originale emballage til opbevaring eller at dække produktet med et passende stykke stof eller dække for at beskytte det mod støv.

Transport

1. Sluk for produktet, frakobl sikkerhedsnøglen (21) og tag batteripakken (23) ud, før det transporteres et eller andet sted hen.
2. Transporter altid produktet i dets transporthåndtag (7).
3. Beskyt produktet mod kraftige stød eller stærke vibrationer, der kan opstå under transport i køretøjer.
4. Fastgør produktet for at forhindre, at det glider eller vælter og forårsager beskadigelse og personskaade.

MILJØ



Defekte og/eller bortskaffede elektriske og elektroniske apparater skal afleveres på en passende genbrugsstation.

Kun for lande i EU

Maskinværktøj må ikke bortskaffes sammen med husholdningsaffald. Ifølge EU-direktiv 2012/19/EU om affald af elektrisk og elektronisk udstyr og dets gennemførelse i den nationale lovgivning skal maskinværktøjer, der ikke længere anvendes, afleveres separat og bortskaffes på en miljøvenlig måde.

GARANTIVILKÅR

VONROC produkter er udviklet efter de højeste kvalitetsstandarder og er garanteret fri for mangler i såvel materialer som udførelse i den lovpligtige periode, der starter fra datoen for det oprindelige køb. Skulle produktet udvikle nogen fejl i løbet af denne periode på grund af defekte materialer og/eller fabrikationsfejl, så kontakt VONROC direkte.

De følgende forhold er udelukket fra denne garanti:

- Reparationer og eller rettelser er blevet foretaget eller forsøgt foretaget på maskinen af uautoriserede servicecentre;
- Normal slitage.
- Værktøjet har været misligholdt, misbrugt eller vedligeholdt forkert.
- Ikke originale reservedele er blevet anvendt.

Dette udgør den eneste garanti fra virksomheden enten udtrykt eller underforstået. Der er ingen andre garantier udtrykt eller underforstået, som strækker sig ud over forsiden heraf, heri, herunder underforståede garantier for salgbarhed og egnethed til et bestemt formål. VONROC vil under ingen omstændigheder være ansvarlig for hændelige skader eller følgeskader. Forhandlernes afhjælpningsmidler vil være begrænsede til reparation eller udskiftning af fejlbehæftede enheder eller dele.

Produktet og brugermanualen kan ændres. Specifikationerne kan ændres uden forudgående varsel.

1. INSTRUKCJE BEZPIECZEŃSTWA



Przeczytać dołączone ostrzeżenia dotyczące bezpieczeństwa, dodatkowe ostrzeżenia dotyczące bezpieczeństwa oraz instrukcję.

Nieprzestrzeganie ostrzeżeń dotyczących bezpieczeństwa oraz instrukcji może prowadzić do porażenia prądem, pożaru i/lub poważnych obrażeń ciała. Zachować ostrzeżenia dotyczące bezpieczeństwa oraz instrukcje na przyszłość.

Następujące symbole są umieszczone w instrukcji obsługi lub na produkcie:



Przeczytać instrukcje obsługi.



Ryzyko obrażeń ciała.



Ryzyko porażenia prądem.



Nosić ochronniki słuchu.



Zawsze nosić okulary ochronne!



Przeostrożenie: Nie dotykać obracających się ostrzy. Ostre ostrze(a). Uważać na ryzyko odcięcia palców stóp lub dłoni. Osoby postronne, zwłaszcza dzieci, oraz zwierzęta powinny się znajdować w odległości większej niż 10 metrów od maszyny.



Nie wolno obsługiwać kosiarki bez założonego pojemnika na trawę lub osłony.



Nie używać na deszczu ani nie pozostawiać kosiarki na zewnątrz podczas deszczu.



Wyłączyć narzędzie i wyjąć kluczyk bezpieczeństwa (wylącznik izolacyjny) przed rozpoczęciem regulacji lub czyszczenia i przed pozostawieniem produktu bez nadzoru nawet na chwilę.



Używać tylko akumulatorów naładowanych do tego samego poziomu. Nigdy nie używać jednocześnie akumulatorów naładowanych całkowicie i do połowy. Zawsze ładować dwa akumulatory jednocześnie. Czas pracy tego urządzenia określa akumulator o niższym poziomie naładowania. Oba

akumulatory muszą być zawsze całkowicie naładowane przed użyciem. Zamknąć pokrywę komory akumulatorów przed użyciem.



Poczekać na całkowite zatrzymanie się części maszyny przed ich dotknięciem. Ostrza nadal obracają się po wyłączeniu maszyny, a obracające się ostrze może spowodować obrażenia ciała.



Dopilnować, aby osoby postronne nie odniosły obrażeń spowodowanych przez ciała obce wyrzucone przez narzędzie.



Ostrzeżenie: Zachować bezpieczny odstęp od produktu podczas obsługi.



Uważnie sprawdzić, czy w miejscu, w którym ma być użyte narzędzie, nie ma dzikich zwierząt ani zwierząt domowych. Zwierzęta dzikie i domowe mogą zostać zranione przez pracującą maszynę. Dokładnie sprawdzić miejsce pracy i usunąć wszelkie kamienie, patyki, przewody, kości i inne ciała obce. Podczas korzystania z maszyny dokładnie sprawdzać, czy w gęstej trawie nie ukrywają się dzikie lub domowe zwierzęta i czy nie są w niej ukryte małe pniaki.



Używać ładowarki tylko wewnątrz pomieszczeń.



Zgodność z wszystkimi jednostronnymi dyrektywami europejskimi.



Nie wyrzucać produktu do nieodpowiednich pojemników.



Gwarantowany poziom mocy akustycznej LWA = 96 dB(A)

OGÓLNE ZALECENIA DOTYCZĄCE BEZPIECZEŃSTWA



UWAGA! Przeczytać wszystkie ostrzeżenia dotyczące bezpieczeństwa i wszystkie instrukcje. Nieprzestrzeganie wszystkich poniższych instrukcji może być przyczyną porażenia prądem, pożaru i/lub poważnych obrażeń.

Zachowaj poniższe instrukcje.

Termin „elektronarzędzia akumulatorowe” we wszystkich ostrzeżeniach zamieszczonych poniżej odnosi się do elektronarzędzi akumulatorowych zasilanych sieciowo (przewodowych) lub elektronarzędzi akumulatorowych działających na baterie (beprzewodowych).

1) Obszar roboczy

- Obszar roboczy należy utrzymywać w czystości.** Powinien on być dobrze oświetlony. Nieład i złe oświetlenie mogą z łatwością doprowadzić do wypadku.
- Nie korzystaj z elektronarzędzi akumulatorowych w warunkach, w których łatwo może dojść do wybuchu, np. w obecności łatwopalnych cieczy, gazów lub pyłu.** Podczas pracy elektronarzędzi akumulatorowych powstają iskry, które mogą doprowadzić do zapłonu pyłu lub oparów.
- Dzieci i inne osoby postronne powinny pozostać w bezpiecznej odległości od pracującego urządzenia.** Rozproszenie uwagi może spowodować utratę kontroli nad urządzeniem.

2) Bezpieczeństwo związane z elektrycznością

- Wtyczki elektronarzędzi akumulatorowych muszą być odpowiednie do danego gniazda. Pod żadnym pozorem nie należy modyfikować wtyczki w jakikolwiek sposób. Nie należy używać adapterów, które uziemiają elektronarzędzia akumulatorowe.** Stosowanie wtyczek nie poddanych modyfikacjom oraz odpowiednich gniazd zmniejsza ryzyko porażenia prądem.
- Należy unikać bezpośredniego kontaktu fizycznego z powierzchniami uziemionymi, takimi jak rury, grzejniki, kuchenki, lodówki.** Ryzyko porażenia prądem jest większe, jeśli ciało osoby obsługującej urządzenie jest uziemione.
- Nie należy wystawiać elektronarzędzi akumulatorowych na działanie deszczu lub wilgoci.** Dostanie się wody do wnętrza elektronarzędzia akumulatorowego zwiększy ryzyko porażenia prądem.
- Nie należy używać przewodu w niewłaściwy sposób. Pod żadnym pozorem nie należy wykorzystywać przewodu do przenoszenia lub ciągnięcia elektronarzędzia akumulatorowego, ani do jego odłączania od sieci. Przewodu nie należy wystawiać na działanie ciepła, smarów. Powinien on znajdować się w bezpiecznej odległości od ostrych krawędzi i części ruchomych.**

- Przewody uszkodzone lub poplątane zwiększają ryzyko porażenia prądem.
- e) **Podczas korzystania z elektronarzędzia akumulatorowego na wolnym powietrzu, należy używać przewodu przedłużacza przystosowanego do użytku na zewnątrz.** Używanie przewodu nadającego się do użytku na wolnym powietrzu zmniejsza ryzyko porażenia prądem.
 - f) **Jeśli obsługa elektronarzędzia w wilgotnym miejscu jest nieunikniona, użyć zasilania wyposażonego w wyłącznik różnicowo-prądowy.** Użycie wyłącznika różnicowo-prądowego zmniejsza ryzyko porażenia prądem.
- 3) Bezpieczeństwo osoby obsługującej urządzenie**
- a) **Przez cały czas należy mieć się na baczności, uważać na to, co się robi, a w czasie obsługi elektronarzędzia akumulatorowego postępować mając na uwadze zdrowy rozsądek.** Urządzenia nie powinny obsługiwać osoby zmęczone lub będące pod wpływem narkotyków, alkoholu lub leków. Chwila nieuwagi w czasie obsługi elektronarzędzi akumulatorowych może być przyczyną powstania poważnych obrażeń ciała.
 - b) **Należy korzystać ze sprzętu ochronnego oraz zawsze nosić okulary ochronne.** Sprzęt ochronny, jak na przykład maska przeciwpyłowa, antypoślizgowe obuwie ochronne, kask lub słuchawki ochronne używany we właściwych sytuacjach pozwoli na zmniejszenie ryzyka obrażeń ciała.
 - c) **Unikać niezamierzonego uruchomienia. Przed podłączeniem urządzenia do sieci, zawsze sprawdzić, czy przełącznik znajduje się w pozycji „wyłączony”.** Przenoszenie elektronarzędzi z palcem na przełączniku lub włączonych elektronarzędzi z przełącznikiem w położeniu włączenia jest bardzo niebezpieczne i może powodować wypadki.
 - d) **Przed włączeniem elektronarzędzia akumulatorowego należy usunąć z niego wszystkie klucze nastawcze lub maszynowe.** Pozostawienie klucza zamocowanego na jednej z części obrotowych urządzenia może spowodować powstanie obrażeń ciała.
 - e) **Nie należy sięgać ponad urządzeniem. Przez cały czas należy zachować odpowiednią równowagę i zapewnić odpowiednie oparcie dla stóp.** Pozwoli to na lepsze kontrolowanie urządzenia w nieoczekiwanych sytuacjach.
 - f) **Należy nosić odpowiednie ubranie. Do pracy z urządzeniem nie wkładać luźnych ubrań ani biżuterii. Włosy, ubranie i rękawiczki trzymać z dala od części ruchomych.** Luźne części ubrania, biżuteria lub długie włosy mogą zostać wciągnięte przez części ruchome.
 - g) **Jeśli w urządzeniu przewidziano elementy służące do odprowadzania i zbierania pyłu, należy sprawdzić, czy są podłączone, i czy działają we właściwy sposób.** Korzystanie z tego typu elementów pozwala ograniczyć ryzyko związane z wydzielaniem pyłu podczas pracy urządzenia.
 - h) **Nie zezwalać na to, aby rutyna związana z częstym korzystaniem z narzędzi powodowała nadmierną pewność siebie i ignorowanie zasad bezpiecznego korzystania z narzędzi.** Nieodpowiedzialne działanie może spowodować poważne obrażenia ciała w ułamku sekundy.
- 4) Obsługa i konserwacja elektronarzędzi akumulatorowych**
- a) **Urządzenia nie należy przeciążać. Należy korzystać z narzędzia odpowiedniego do danego typu pracy.** Odpowiednio dobrane urządzenie pozwoli na lepsze i bezpieczniejsze wykonanie pracy, we właściwym dla urządzenia tempie.
 - b) **Z elektronarzędzia akumulatorowego nie należy korzystać, jeśli nie można go włączyć i wyłączyć przy pomocy przełącznika.** Urządzenie, którego nie można kontrolować używając przełącznika jest niebezpieczne i powinno być oddane do naprawy.
 - c) **Przed przystąpieniem do regulowania elektronarzędzi akumulatorowych, wymiany akcesoriów lub przygotowywania urządzeń do okresu przechowywania, należy odłączyć wtyczkę od źródła zasilania.** Tego typu środki ostrożności zmniejszają ryzyko przypadkowego uruchomienia urządzenia.
 - d) **Nieczynne elektronarzędzia akumulatorowe należy przechowywać poza zasięgiem dzieci. Nie należy pozwolić, aby osoby nie znające urządzenia lub niniejszych instrukcji obsługi wały urządzenie.** Elektronarzędzia akumulatorowe w rękach niekompetentnych użytkowników stanowią zagrożenie.
 - e) **Elektronarzędzia akumulatorowe należy utrzymywać w dobrym stanie technicznym. Należy sprawdzać, czy części ruchome są właściwie założone, i czy się nie zacinają. Należy również sprawdzać, czy jakieś części nie są uszkodzo-**

- ne oraz sprawdzać wszelkie inne elementy, które mogą wpłynąć na pracę urządzeń. Jeśli urządzenie jest uszkodzone, przed przystąpieniem do jego użytkowania, należy je naprawić. Często przyczyną wypadków jest zły stan techniczny urządzeń.
- f) **Narzędzia służące do cięcia powinny być naostrzone i utrzymywane w czystości.** Jeśli narzędzia służące do cięcia, które posiadają ostre krawędzie tnące, są właściwie konserwowane, istnieje mniejsze prawdopodobieństwo ich zacinania się. Ponadto, łatwiej je kontrolować.
- g) **Elektronarzędzia akumulatorowego, akcesoriów, nakładek, itp. należy używać zgodnie z niniejszymi instrukcjami oraz w sposób właściwy dla danego rodzaju urządzenia, z uwzględnieniem warunków pracy oraz jej rodzaju.** Używanie urządzenia niezgodnie z przeznaczeniem może prowadzić do powstania sytuacji niebezpiecznych.
- h) **Uchwyty należy utrzymywać w stanie suchym, czystym i niezabrudzonym olejem lub smarem.** Śliskie uchwyty i powierzchnie do chwytania nie pozwalają na bezpieczne obchodzenie się z narzędziem i panowanie nad nim w nieoczekiwanych sytuacjach.
- 5) Użytkowanie i konserwacja urządzenia zasilanego akumulatorami**
- a) **Ładować tylko przy użyciu ładowarki określonej przez producenta.** Ładowarka przewidziana dla jednego rodzaju akumulatorów stwarza ryzyko pożaru w przypadku użycia jej z innym zestawem akumulatorów.
- b) **Należy używać jedynie akumulatorów przeznaczonych dla danego urządzenia.** Użycie innych akumulatorów stwarza ryzyko wystąpienia obrażeń ciała lub pożaru.
- c) **Kiedy akumulatorki nie są używane, należy przechowywać je z dala od przedmiotów metalowych, takich jak spinacze do papieru, monety, klucze, gwoździe, śruby lub inne niewielkie przedmioty metalowe, które mogłyby spowodować zwarcie pomiędzy stykami.** Zwarcie styków akumulatorka może spowodować pożar.
- d) **W przypadku przeciążenia z akumulatorka może wycieknąć płyn; nie należy go dotykać. W razie przypadkowego kontaktu przemyć skórę wodą. W przypadku dostania się płynu do oczu należy skontaktować się z lekarzem.** Płyn z akumulatorka może powodować podrażnienia lub oparzenia.
- e) **Nie używać uszkodzonego ani zmodyfikowanego akumulatora lub narzędzia.** Uszkodzone lub zmodyfikowane akumulatory mogą działać w sposób nieoczekiwany, co może powodować pożar, wybuch lub ryzyko obrażeń ciała.
- f) **Nie wystawiać akumulatora ani narzędzia na działanie płomienia lub zbyt wysokiej temperatury.** Narażenie na działanie płomienia lub temperatury powyżej 130°C może spowodować wybuch. UWAGA Temperaturę „130 °C“ można zastąpić temperaturą „265 °F“.
- g) **Przestrzegać wszystkich instrukcji ładowania i nie ładować akumulatora ani narzędzia poza zakresem temperatury podanym w instrukcji.** Nieprawidłowe ładowanie lub ładowanie w temperaturze poza podanym zakresem może spowodować uszkodzenie akumulatora i zwiększyć ryzyko pożaru.
- 6) Serwis**
- a) **Zlecać serwisowanie elektronarzędzie wykwalifikowanemu technikowi stosującymi jedynie części zamienne identyczne z oryginalnymi.** Zapewni to zachowanie bezpieczeństwa elektronarzędzia.
- b) **Nigdy nie serwisować uszkodzonych akumulatorów.** Serwisowanie akumulatorów może przeprowadzać wyłącznie producent lub autoryzowany serwis.

DODATKOWA INSTRUKCJA BEZPIECZEŃSTWA DLA KOSIAREK AKUMULATOROWYCH

- Nigdy nie pozwalać dzieciom ani osobom niezaznajomionym z niniejszymi instrukcjami na używanie produktu. Przepisy krajowe mogą ograniczać wiek operatora. Kiedy produkt nie jest używany przechowywać go poza zasięgiem dzieci.
- Nigdy nie pozwalać na używanie produktu dzieciom, osobom z ograniczeniami fizycznymi, czuciowymi lub umysłowymi albo nieposiadającym doświadczenia i/lub wiedzy oraz osobom niezaznajomionym z niniejszą instrukcją. Przepisy krajowe mogą ograniczać wiek operatora.
- Dzieci muszą pozostawać pod opieką, aby nie mogły bawić się produktem.
- Nigdy nie używać produktu, gdy w pobliżu znajdują się ludzie (zwłaszcza dzieci) lub zwierzęta domowe.
- Użytkownik jest odpowiedzialny za wypadki i zagrożenia dotyczące innych ludzi lub ich mienia.

- Nie nosić otwartego obuwia gumowego ani sandałów podczas użytkowania produktu. Zawsze nosić solidne buty i długie spodnie. Nie używać boso.
- Dokładnie sprawdzić miejsce, w którym ma być użyta maszyna i usunąć wszystkie kamienie, patyki, druty, kości i inne ciała obce.
- Przed użyciem zawsze sprawdzić wzrokowo, czy ostrza, śruby ostrzy i zespół tnący nie są zużyte lub uszkodzone. Należy wymieniać zużyte lub uszkodzone ostrza i śruby w kompletach, aby zachować równowagę.
- Kosić wyłącznie w świetle dnia lub przy dobrym oświetleniu sztucznym.
- Unikać koszenia w złych warunkach pogodowych, szczególnie wtedy, gdy występuje ryzyko wyładowań atmosferycznych.
- Unikać użytkowania maszyny w mokrej trawie, na ile to możliwe.
- Chodzić, a nie biegać z urządzeniem.
- Nigdy nie używać maszyny z uszkodzonymi osłonami lub pokrywami albo bez urządzeń zabezpieczających, takich jak na przykład osłony i/lub pojemniki na trawę.
- Zalecamy korzystanie z ochronników słuchu dla własnej wygody.
- Nigdy nie uruchamiać produktu, gdy jest się zmęczonym, chorym lub pod wpływem leków, alkoholu albo innych środków odurzających.
- Praca na zboczach może być niebezpieczna:
 - Nie należy kosić trawy na zbyt stromych zboczach.
 - Stawać pewnie na pochyłościach lub mokrej trawie.
 - Kosić w poprzek zbocza, a nigdy do góry i w dół zbocza.
 - Zachować szczególną ostrożność podczas zmiany kierunku pracy na zboczach.
- Zachować szczególną ostrożność podczas cofania się lub ciągnięcia maszyny do siebie.
- Nigdy nie kosić, ciągnąc kosiarkę do siebie.
- Poczekać na zatrzymanie ostrzy, jeśli maszyna musi zostać przechylona w celu transportu na czas pokonywania powierzchni innych niż trawa oraz na czas transportu maszyny do i z miejsca użycia.
- Nie pochyłać maszyny podczas włączania lub wyłączania silnika.
- Włączać silnik zgodnie z instrukcją, trzymając stopy z dala od obracających się części.
- Nie zbliżać dłoni ani stóp do obracających się części ani nie wkładać ich pod części obracające się.
- Zawsze stawać z dala od strefy wylotowej podczas użytkowania maszyny.
- Nigdy nie podnosić ani nie przenosić maszyny, gdy jej silnik pracuje.
- Podczas przechowywania dopilnować, aby wszystkie 4 koła narzędzia stały na podłodze/ podłożu.
- Podnosić narzędzie tylko za uchwyt do przenoszenia. Używać uchwytu do przenoszenia ostrożnie.
- Nie modyfikować maszyny. Nieuprawnione modyfikacje mogą ograniczyć bezpieczeństwo użytkownika maszyny, prowadzić do wzrostu hałasu i drgań oraz pogorszenia parametrów roboczych.
- Wyjmować kluczyk bezpieczeństwa (wyłącznik izolacyjny):
 - zawsze w przypadku pozostawienia narzędzia bez nadzoru,
 - przed usunięciem zatoru,
 - przed rozpoczęciem kontroli, czyszczenia i napraw lub regulacji maszyny,
 - po uderzeniu maszyną w ciało obce. Sprawdzić maszynę pod kątem uszkodzeń i wymieniać ostrze w razie potrzeby.
 - Jeśli maszyna zacznie nietypowo wibrować (sprawdzić niezwłocznie).

OSTRZEŻENIA DOTYCZĄCE AKUMULATORA

- a) **Nie otwierać akumulatora.** Ryzyko zwarcia.
- b) **Chronić akumulator przed gorącym, np. Długotrwałym silnym nasłonecznieniem, ogniem, wodą i wilgocią.** Ryzyko wybuchu.
- c) **W razie uszkodzenia i błędnego użytkowania akumulatora, może dojść do emisji oparów. Przewietrzyć miejsce emisji i uzyskać pomoc lekarską w razie dolegliwości.** Opary mogą powodować podrażnienie układu oddechowego.
- d) **Używać akumulatora wyłącznie w połączeniu z produktem marki Vonroc.** Takie postępowanie chroni akumulator przed niebezpiecznym przeciążeniem.
- e) **Akumulator może zostać uszkodzony przez ostro zakończony przedmiot, jak gwoździe lub wkręta, albo przez uderzenie z zewnątrz.** Może dojść do wewnętrznego zwarcia i akumulator może zacząć się palić, dymić, wybuchnąć lub przegrzać się.

OSTRZEŻENIA DOTYCZĄCE ŁADOWARKI

Przeznaczenie

Za pomocą ładowarki ładować wyłącznie akumulatory typu CD801AA i CD803AA. Baterie mogą pękać, powodując obrażenia ciała i uszkodzenia mienia.

- a) **Urządzenie nie jest przeznaczone do użytku przez osoby (w tym dzieci) o ograniczonych zdolnościach fizycznych, czuciowych lub umysłowych albo nie posiadające doświadczenia i wiedzy, chyba że zostały one odpowiednio poinstruowane i są pod nadzorem.**
- b) **Dzieciom nie wolno pozwalać bawić się urządzeniem.**
- c) **Nie ładować zwykłych baterii!**
- d) **Podczas ładowania akumulatory muszą znajdować się w dobrze wentylowanym miejscu!**



To urządzenie może być używane przez dzieci w wieku od 8 lat i osoby z ograniczonymi zdolnościami fizycznymi, czuciowymi lub umysłowymi lub nieposiadające doświadczenia i wiedzy, jeśli znajdują się one pod nadzorem lub zostały przeszkolone z bezpiecznego użytkowania urządzenia i rozumieją związane z tym zagrożenia. Dzieciom nie wolno pozwalać bawić się urządzeniem. Dzieciom bez nadzoru nie wolno przeprowadzać czyszczenia i konserwacji urządzenia.

Bezpieczeństwo elektryczne



Zawsze sprawdzać, czy napięcie zasilania jest zgodne z napięciem podanym na tabliczce znamionowej.

- Nie używać urządzenia, jeśli jego kabel zasilający jest uszkodzony lub wtyczka kabla zasilającego jest uszkodzona.
- Używać wyłącznie przedłużaczy przystosowanych do pracy z parametrami zasilania urządzenia o minimalnej grubości 1,5 mm². W przypadku korzystania z przedłużacza w zwoju, zawsze całkowicie rozwinąć zwoj.

2. INFORMACJE O MASZYNE

Przeznaczenie

Produkt jest przeznaczony do koszenia trawy w gospodarstwie domowym. Kosiarka jest przeznaczona do użytku w prywatnych ogrodach domowych. Kosiarki nie wolno używać do przycinania krzewów, żywopłotów ani krzaków, do przycinania roślin pnących, roślinności na dachach lub trawy rosnącej na balkonach, do usuwania (wsysania) zanieczyszczeń i resztek z chodników lub ścieżek ani do rozdrabniania ścierek z drzew lub żywopłotów. Co więcej, kosiarki nie wolno używać w roli kultywatora do wyrównywania powierzchni trawników poprzez usuwanie wzniesień, takich jak kopce kretów. Urządzenia wolno używać wyłącznie zgodnie z jego przeznaczeniem. Wszelkie inne użytkowanie jest uznawane za niezgodne z przeznaczeniem i niedozwolone.

DANE TECHNICZNE





Niniejsza instrukcja dotyczy różnych zestawów/numerów artykułów. Sprawdź odpowiedni numer artykułu w poniższej tabeli, aby uzyskać informacje na temat zawartości zestawu.


Nr modelu	Baterie w komplecie	Ładowarka w komplecie
LM504DC	-	-
S2_LM504DC	2 x CD801AA	2 x CD802AA
S4_LM504DC	2 x CD803AA	2 x CD802AA or 1 x CD820AA


MASZYNA

Nr modelu	LM504DC
Napięcie	40V (2 x 20V)
Prędkość bez obciążenia	3400/min
Szerokość cięcia	330 mm
Wysokość cięcia	30/40/50/60/70mm
Pojemność zbiornika na trawę	30 L
Waga	8.5 kg
Stopień ochrony	IPX1
Cięśnienie akustyczne (L _{pa})	71.4dB(A), K=2.35dB(A)
Moc akustyczna (L _{wa})	91.4dB(A), K=2.35dB(A)
Wartość drgań	<2.5m/s ² , K=1.5m/s ²

AKUMULATOR	
Numero modello	CD801AA
Typ akumulatora	Litowo-jonowy
Napięcie	20V 
Pojemność	2.0 Ah
Zalecana ładowarka	CD802AA ,CD820AA
Ciężar	0.3 kg

Nr modelu	CD803AA
Typ Baterii	Litowo-jonowy
Napięcie	20V 
Pojemność	4.0 Ah
Zalecana ładowarka	CD802AA ,CD820AA
Ciężar	0.65 kg

ŁADOWARKA	
Nr modelu	CD802AA
Parametry wejściowe ładowarki	220-240V, 50Hz 0.4A
Parametry wyjściowe ładowarki	21V  2.5A
Czas ładowania akumulatora 2 Ah	60 minutes
Czas ładowania akumulatora 4 Ah	120 minutes
Zalecana ładowarka	CD801AA, CD803AA
Ciężar	0.36 kg

Nr modelu	CD820AA
Parametry wejściowe ładowarki	220-240V, 50-60Hz, 200W
Parametry wyjściowe ładowarki	21V  2.3A, <3.8A
Czas ładowania akumulatora 2 Ah	45 minutes
Czas ładowania akumulatora 4 Ah	85 minutes
Zalecana ładowarka	CD801AA, CD803AA
Ciężar	0.81 kg

Używać wyłącznie następujących akumulatorów z platformy akumulatorów VONROC VPOWER 20 V. Użycie innych akumulatorów może spowodować poważne obrażenia ciała lub uszkodzenie narzędzia.

CD801AA 20V, 2Ah Litowo-jonowy
 CD803AA 20V, 4Ah Litowo-jonowy

Następującej ładowarki można używać do ładowania tych akumulatorów.

CD802AA Szybka ładowarka
 CD820AA Podwójna szybka ładowarka

Akumulatory należące do platformy VONROC VPOWER 20 V można stosować we wszystkich narzędziach z platformy VONROC VPOWER 20 V.

Poziom drgań

Poziom emisji drgań podany w tej instrukcji obsługi został zmierzony zgodnie ze standaryzowanym testem podanym w normie EN 60335; może on służyć do porównywania narzędzi ze sobą oraz do wstępnego oszacowania ekspozycji na drgania podczas użytkowania narzędzia do podanych zastosowań:

- używanie narzędzia do innych zastosowań lub z innymi lub źle konserwowanymi akcesoriami może znacząco zwiększać poziom ekspozycji;
- okresy, gdy narzędzie jest wyłączone lub okresy, gdy jest włączone, ale nie pracuje, mogą znacząco zmniejszać poziom ekspozycji.

Chronić się przed wpływem drgań, konserwując odpowiednio narzędzie i akcesoria, utrzymując ciepłotę dłoni oraz odpowiednio organizując pracę.

OPIS

Liczby w tekście odnoszą się do rysunków na stronach 2-5.

1. Górny uchwyt
2. Włacznik
3. Przycisk bezpieczeństwa
4. Kabel zasilający
5. Maszyna
6. Uchwyt kabla
7. Rączka do przenoszenia
8. Koło
9. Osłona koła
10. Pojemnik na trawę
11. Pokrywa pojemnika na trawę
12. Osłona pojemnika na trawę
13. Wskaźnik zapelnienia trawę
14. Dolny uchwyt
- 15A. Pokrętko regulacji uchwytu
- 15B. Śruba pokrętko
16. Uchwyt do przenoszenia pojemnika na trawę
17. Dźwignia regulacji wysokości

18. Wylot trawy
19. Pokrywa komory akumulatorów
20. Komora akumulatorów
21. Kluczyk bezpieczeństwa (wyłącznik izolacyjny)
22. Przycisk odblokowania akumulatora
23. Bateria
24. Przycisk diod LED akumulatora
25. Diody LED akumulatora
26. Ładowarka
27. Diody LED ładowarki
28. Ostrze
29. Śruba ostrza
30. Ładowarka
31. Zielone wskaźniki LED
32. Bursztynowe wskaźniki LED
33. Czerwone wskaźniki LED

3. MONTAŻ



Przed rozpoczęciem jakichkolwiek prac dotyczących elektronarzędzia, wyjąć akumulator.



Akumulator należy naładować przed pierwszym użyciem.



Ostrzeżenie: Używać tylko akumulatorów naładowanych do tego samego poziomu. Nigdy nie używać jednocześnie akumulatorów naładowanych całkowicie i do połowy. Zawsze ładować dwa akumulatory jednocześnie. Czas pracy tego urządzenia określa akumulator o niższym poziomie naładowania. Oba akumulatory muszą być zawsze całkowicie naładowane przed użyciem.

Wkładanie akumulatora do narzędzia (Rys. A, J)



Dopilnować, aby zewnętrzna powierzchnia akumulatora była czysta i sucha przed podłączeniem do ładowarki lub narzędzia. Zamknąć pokrywę komory akumulatorów przed użyciem.

1. Otworzyć pokrywę komory akumulatorów (19).
2. Włożyć akumulator (23) do komory akumulatorów (20) zgodnie z rys. J.
3. Wcisnąć akumulator dalej, aż zatrzaśnie się w poprawnym położeniu.
4. Powtórzyć dla drugiego akumulatora (23).
5. Zamknąć pokrywę komory akumulatorów (19).

Wymowianie akumulatora z narzędzia (Rys. A, J)

1. Otworzyć pokrywę komory akumulatorów (19).
2. Wyjąć akumulator (23) z komory akumulatorów (20) zgodnie z rys. J.
3. Powtórzyć dla drugiego akumulatora (23).

Sprawdzanie stanu naładowania akumulatora (Rys. K)

- Aby sprawdzić stan naładowania akumulatora, wcisnąć przycisk (24) na akumulatorze na chwilę.
- Akumulator ma 3 diody informujące o poziomie naładowania. Im więcej świeci diod, tym wyższy poziom naładowania akumulatora.
- Jeśli diody nie świecą, oznacza to, że akumulator jest rozładowany i wymaga niezwłocznego naładowania.

Ładowanie akumulatora ładowarką CD802AA (Rys. K)

1. Wyjąć akumulator (23) z narzędzia.
2. Ustawić akumulator (23) spodem do góry i wsunąć go na ładowarkę (26) zgodnie z rys. K.
3. Wcisnąć akumulator do oporu do gniazda.
4. Podłączyć ładowarkę do gniazdka i poczekać chwilę. Dioda LED na Akumulator (27) zaświeci się, informując o stanie ładowania.

Akumulator jest wyposażona w 2 diody LED (27), informującą o stanie procesu ładowania:

Stan czerwonej diody LED	Stan zielonej diody LED	Stan ładowarki
Wył.	Wył.	Brak zasilania
Wył.	Wł	Tryb gotowości: - Nie włożono akumulatora lub, - Włożono akumulator, ale ładowanie zostało zakończone
Wł	Wył.	Ładowanie akumulatora w toku

- Całkowite naładowanie akumulatora 2Ah może trwać do 60 minut.
- Całkowite naładowanie akumulatora 4Ah może trwać do 120 minut.

Po całkowitym naładowaniu akumulatora wyjąć wtyczkę ładowarki z gniazdka i wyjąć akumulator z ładowarki.



Kiedy narzędzie nie jest używane przez długi okres, najlepiej przechowywać akumulator w stanie naładowanym.

Ładowanie akumulatora ładowarką z dwoma gniazdami CD820AA (rys. L)

1. Wyjąć akumulator (26) z narzędzia.
2. Ustawić akumulator (26) spodem do góry i wsunąć go na ładowarkę (30) zgodnie z rys. L.
3. Wcisnąć akumulator do oporu do gniazda.
4. Podłączyć ładowarkę do gniazdka i poczekać chwilę. Dioda LED na Akumulator (31, 32, 33) zaświeci się, informując o stanie ładowania.

Akumulator jest wyposażona w 6 diod LED (31, 32, 33), informującą o stanie procesu ładowania:

Pozycja	Okoliczności	Kolor diody LED		
		Czerwonny	Bursztynowy	Zielony
Tryb gotowości	Włączenie zasilania	Włączona	Włączona	Włączona
Ładowanie	Rozpoczęcie ładowania (10-19 V prądu stałego $\pm 0,5$ V prądu stałego)	Migająca	Wyłączona	Wyłączona
	Naładowanie do połowy (19-20 V prądu stałego $\pm 0,5$ V prądu stałego)	Włączona	Migająca	Wyłączona
	Zakończenie ładowania (20-21 V prądu stałego $\pm 0,5$ V prądu stałego)	Włączona	Włączona	Migająca
Fully charged	Ładowanie podtrzymujące $\leq 300 \pm 150$ mA	Włączona	Włączona	Włączona
	Zatrzymanie ładowania			
Wysoka temperatura	Zadziałało zabezpieczenie akumulatora przed przegrzaniem	Włączona	Włączona	Włączona

- Całkowite naładowanie akumulatora 2Ah może trwać do 45 minut.
- Całkowite naładowanie akumulatora 4Ah może trwać do 85 minut.

Po całkowitym naładowaniu akumulatora wyjąć wtyczkę ładowarki z gniazdka i wyjąć akumulator z ładowarki.



Kiedy narzędzie nie jest używane przez długi okres, najlepiej przechowywać akumulator w stanie naładowanym.

Montaż dolnego uchwytu (Rys. A, B)

1. Włożyć dolny uchwyt (14) w przeznaczony do tego otwór w korpusie kosiarki zgodnie z Rys. B. Dopilnować, aby otwór w dolnym uchwycie (14) został dopasowany do otworu w korpusie kosiarki.
2. Włożyć śrubę w otwór i dokręcić ją, obracając zgodnie ze wskazówkami zegara zgodnie z Rys. B.
3. Powtórzyć tę procedurę dla drugiego dolnego uchwytu (14).

Montaż górnego uchwytu (rys. A, C, D)

1. Przymocować górny uchwyt (1) do dolnego uchwytu (14) za pomocą dołączonych do zestawu śrub (15B) i pokręteł uchwytu (15A) zgodnie z rysunkiem C. Dopilnować, aby zespół włącznika (3) znajdował się po prawej stronie, patrząc od tyłu kosiarki.
2. Przymocować kabel do uchwytu za pomocą uchwytu kabla (6) zgodnie z rysunkiem D.

Uwaga: Kiedy pokręta uchwytu (15A) są poluzowane, górny uchwyt (1) można złożyć w dół w celu przechowywania kosiarki. Dopilnować, aby nie doszło do ściśnięcia kabla zasilającego.

Montaż i mocowanie pojemnika na trawę (rys. A, E, F, G, H)



Nie wolno obsługiwać kosiarki do trawy bez założonego pojemnika na trawę lub osłony.

Kosiarki można używać z pojemnikiem na trawę lub bez. Należy jednak pamiętać, że podczas koszenia bez pojemnika na trawę pokrywa pojemnika na trawę (11) musi być opuszczona. Nie używać kosiarki bez uniesionej pokrywy wylotowej.

1. Połączyć dwie połowy pojemnika na trawę (10) zgodnie z rysunkiem E.
2. Zamontować osłonę pojemnika na trawę (12) na zmontowany pojemnik na trawę (10) zgodnie z rysunkiem F.
3. Zamontować uchwyt do przenoszenia pojemnika na trawę (16) na osłonę pojemnika na trawę (12) zgodnie z rysunkiem G.
4. Rysunek H przedstawia prawidłowo zmontowany pojemnik na trawę.
5. Unieść pokrywę pojemnika na trawę (11) i zamocować zmontowany pojemnik na trawę na kosiarce. Dopilnować, aby wgłębienia w pojemniku na trawę zostały prawidłowo dopasowane do uchwytów na korpusie kosiarce.

Uwaga: pojemnik na trawę jest wyposażony we wskaźnik zapełnienia trawą (13), który informuje o ilości skoszonej trawy w pojemniku. Dopóki pojemnik na trawę nie jest zapełniony, wskaźnik pozostaje otwarty. Kiedy pojemnik na trawę zostanie zapełniony, wskaźnik zamknie się. W takim przypadku należy niezwłocznie zaprzestać koszenia i opróżnić pojemnik na trawę. Ten wskaźnik ma jedynie charakter pomocniczy, a jego funkcjonalność zależy od warunków panujących wewnątrz pojemnika na trawę.

Wymiana ostrza tnącego (Rys. A, M)



Przed rozpoczęciem jakichkolwiek prac dotyczących elektronarzędzia, wyjąć akumulator.



Podczas wymiany ostrza nosić rękawice ochronne. Ryzyko obrażeń ciała w wyniku dotknięcia ostrza.



Używać wyłącznie ostrzy zalecanych przez producenta.

1. Zdemontować pojemnik na trawę.
2. Położyć kosiarke na boku.
3. Mocno chwycić ostrze tnące przez rękawice ochronne.
4. Obracać śrubę mocującą ostrze przeciwnie do wskazówek zegara, aby ją poluzować zgodnie z Rys. P.
5. Wymienić lub naostrzyć ostrze tnące.
6. Zamontować ostrze tnące, wykonując powyższą procedurę w odwrotnej kolejności (ostrze należy nałożyć otworami na bolce wrzeczona).

7. Najlepiej powierzyć ostrzenie lub wymianę ostrza odpowiednio wykwalifikowanej osobie. Korzystać wyłącznie z części oryginalnych. Wszelkie ustępki powinien usuwać warsztat serwisowy posiadający autoryzację producenta.

4. OBSŁUGA



Przed użyciem zawsze sprawdzić wzrokiem, czy noże, śruby noży i zespół tnący nie są zużyte lub uszkodzone. Wyjąć akumulator z narzędzia. Należy wymieniać zużyte lub uszkodzone ostrza i śruby w kompletach, aby zachować równowagę. Należy wymieniać zużyte lub uszkodzone noże i śruby w kompletach, aby zachować równowagę.



Jeśli maszyna zacznie nietypowo wibrować (sprawdzić niezwłocznie):

- sprawdzić ją pod kątem uszkodzeń,
- wymienić lub naprawić wszelkie uszkodzone części,
- sprawdzić pod kątem niedokręconych części i dokręcić je w razie potrzeby.



Niezwłocznie wyłączać maszynę w następujących przypadkach:

- w przypadku pozostawienia maszyny bez nadzoru,
- przed usunięciem zatoru lub odetkaniem kanału,
- przed rozpoczęciem kontroli, czyszczenia i napraw lub regulacji maszyny,
- po uderzeniu maszyną w ciało obce. Sprawdzić maszynę pod kątem uszkodzeń i przeprowadzić naprawę przed ponownym uruchomieniem i użyciem maszyny.



Zachować ostrożność podczas regulacji maszyny, aby uniknąć ściśnięcia palców między ruchomymi ostrzami a nieruchomymi częściami maszyny.

Regulacja wysokości koszenia (rys. A, I)



Wyłączyć urządzenie, poczekać, aż ostrze się zatrzyma, po czym wyjąć akumulator. Istnieje ryzyko obrażeń ciała.

W zależności od preferencji można ustawić jedną z pięciu wysokości koszenia. Dostosować wysokość koszenia do trawnika. Wysokość koszenia zależy od typu trawnika i wysokości trawy. W przypadku koszenia długiej trawy rozpocząć od maksymalnej wysokości koszenia, po czym powtórzyć koszenie z niższą wysokością koszenia. Wyższą wysokość koszenia należy zawsze wybierać do pierwszego koszenia w sezonie.

1. Pociągnąć dźwignię regulacji wysokości (17) na zewnątrz (z dala od obudowy maszyny) zgodnie z rysunkiem I.
2. Trzymając dźwignię regulacji wysokości (17) w położeniu zewnętrznym, pchnąć ją naprzód lub wstecz na żądaną wysokość koszenia.
3. Zwolnić dźwignię (17) i dopilnować, by prawidłowo zamocowała się w otworze.

UWAGA: Dostępnych jest 5 wysokości koszenia: 30 mm, 40 mm, 50 mm, 60 mm, 70 mm.

Włączanie i wyłączenie urządzenia (rys. A, N)



Przed włączeniem postawić produkt na płaskiej powierzchni pozbawionej wysokiej trawy.



Oczyszczyć spód obudowy zespołu koszącego przed włączeniem maszyny.



Trzymać stopy z dala od ostrza tnącego.



Nie pochylać produktu podczas włączania silnika.

1. Dopilnować, aby kluczyk bezpieczeństwa (21) był włożony w wyznaczone miejsce pod pokrywą komory akumulatorów (19).
2. Aby włączyć maszynę, wcisnąć i przytrzymać przycisk bezpieczeństwa (3) i wcisnąć włącznik (2). Trzymając wciśnięty włącznik (2), można zwolnić przycisk bezpieczeństwa (3).
3. Aby zatrzymać maszynę, zwolnić włącznik (2) i poczekać, aż ostrze przestanie się obracać.

Obsługa kosiarki (rys. A, O)



Zawsze utrzymywać bezpieczny odstęp (co umożliwiają długie uchwyty) między użytkownikiem a obudową kosiarki.



Zachować szczególną ostrożność podczas koszenia i zmiany kierunku na zboczach i pochyłościach. Pewnie stąpać i nosić solidne antypoślizgowe obuwie i długie spodnie. Zawsze kosić wzdłuż zbocza (nie w górę i w dół). Ze względów bezpieczeństwa kosiarki nie wolno używać do koszenia na zboczach o nachyleniu powyżej 15 stopni.



Zachować szczególną ostrożność podczas cofania i ciągnięcia kosiarki. Ryzyko potknięcia się!

Przed użyciem

- Dopilnować, aby trawnik był wolny od kamieni, patyków, drutów itp. przedmiotów, które mogłyby uszkodzić produkt lub jego ostrza.
- Nie kosić mokrej trawy, ponieważ taka trawa zwykle przykleja się do spodu produktu, uniemożliwiając prawidłowe wyrzucanie skoszonej trawy, a dodatkowo na mokrej trawie łatwo się poślizgnąć i przewrócić.
- Nigdy nie usuwać więcej niż jednej trzeciej całkowitej długości trawy, aby zachować dobry stan trawnika. Jesienią trawniki należy kosić tylko do momentu, gdy rosną.
- Popychać produkt powoli naprzód, nie pchać go na siłę.
- Kosić nieznacznie zachodzącymi na siebie pasami. Najskuteczniejszy sposób skoszenia całego trawnika bez pozostawiania wolnych miejsc jest przedstawiony na rysunku O.
- Kosić wokół klombów i rabat. W przypadku dotarcia do klombu lub rabaty pośrodku trawnika, skosić pas trawy lub dwa pasy wokół obwodu klombu.
- Szczególnie uważać podczas zmiany kierunku.
- Zawsze kosić wzdłuż zboczy (nie w górę i w dół). Można zapobiec ześlizgiwaniu się kosiarki w dół, utrzymując ją odchyloną do góry.
- Dostosować wysokość koszenia do długości trawy. Kosić w kilku przejazdach, aby zapobiec skoszeniu zbyt długiej części źdźbeł trawy za jednym razem.
- Regularnie opróżniać pojemnika na trawę.

Uwaga: Czas pracy akumulatorów, a zatem obszar w metrach kwadratowych, który można skosić na jedno naładowanie akumulatorów, w znacznym stopniu zależy od stanu trawy (np. gęstości, wil-

gotności, wysokości, wysokości koszenia itp.) oraz prędkości koszenia (chodzenia z kosiarką). Aby dostosować obszar koszenia do swoich potrzeb, zaleca się częstsze koszenie trawnika, koszenie z wyższą wysokością koszenia i z właściwą prędkością. Często włączanie i wyłączanie urządzenia podczas koszenia również zmniejsza obszar możliwy do skoszenia. Jeśli czas pracy akumulatorów (obszar koszenia) jest nadal niezadowolający mimo zastosowania powyższych sposobów, można rozwiązać problem, stosując akumulatory o większej pojemności (w Ah).

Po użyciu

- Po użyciu wyłączyć produkt i wyjąć kluczyk bezpieczeństwa (21).
- Wyjąć akumulatory (23).
- Sprawdzić, oczyścić i schować produkt zgodnie z opisem w rozdziale „konserwacja”.

5. KONSERWACJA



Wyłączyć urządzenie, poczekać, aż ostrze się zatrzyma, po czym wyjąć akumulator. Istnieje ryzyko obrażeń ciała.

Czyszczenie

Kosiarka jest przeznaczona do długotrwałej pracy z minimalną konserwacją. Długotrwała udana praca zależy od odpowiedniej konserwacji i regularnego czyszczenia kosiarki.

- Należy dbać o to, by kosiarka była czysta i sucha.
- Należy regularnie korzystać z tępego drapak do usuwania trawy i ziemi z kosiarki.
- Do czyszczenia kosiarki używać jedynie łagodnego mydła i wilgotnej szmatki. Nie dopuszczać, by do urządzenia dostał się jakkolwiek płyn, nie należy też zanurzać żadnej części urządzenia w płynie. Do czyszczenia nie należy używać żadnych środków ściernych ani rozpuszczalników.

Zatrzymaj ostrze(a), jeśli maszyna musi być przechylona na transport podczas przekraczania powierzchni innych niż trawy oraz podczas transportu maszyny do i z obszar do wykorzystania. Nie uruchamiaj maszyny stojąc przed otwór wylotowy.

Przechowywanie

Zawsze poczekać, aż maszyna ostygnie, przed rozpoczęciem jej przechowywania. Ze względów bezpieczeństwa wymieniać zużyte lub uszkodzone części. Stosować wyłącznie oryginalne części zamienne i akcesoria.

- Wyłączyć produkt, wyjąć kluczyk bezpieczeństwa (21) i wyjąć akumulatory (23) przed rozpoczęciem przechowywania.
- Oczyścić produkt zgodnie z opisem powyżej.
- Przechowywać produkt i jego akcesoria w ciemnym, suchym, dobrze wentylowanym miejscu, w którym temperatura nie spada poniżej zera. Idealna temperatura przechowywania wynosi od 10°C do 30°C.
- Zawsze przechowywać produkt w miejscu niedostępnym dla dzieci.
- Zalecamy korzystanie z oryginalnego opakowania do przechowywania lub osłanianie produktu odpowiednią tkaniną, aby chronić go przed kurzem.

Transport

- Wyłączyć produkt, wyjąć kluczyk bezpieczeństwa (21) i wyjąć akumulatory (23) przed rozpoczęciem transportu.
- Zawsze transportować produkt za uchwyt transportowy (7).
- Chronić produkt przed silnymi uderzeniami i mocnymi drganiami, które mogą występować podczas transportu pojazdem.
- Zabezpieczyć produkt, aby zapobiec jego ześlizgnięciu się i upadkowi, co może spowodować uszkodzenia i obrażenia ciała.

SRODOWISKO



Uszkodzone i/lub niepotrzebne urządzenia elektryczne lub elektroniczne podlegają zbiorce w odpowiednich punktach recyklingu.

Tylko kraje WE

Nie wyrzucac elektronarzedzi wraz z odpadami z gospodarstw domowych. Zgodnie z dyrektywa 2012/19/WE dotyczaca zuzytych urzadzen elektrycznych i elektronicznych oraz jej wdrozeniem do prawodawstwa krajowego, elektronarzedzia, ktore juz nie nadaja sie do uzytku, podlegaja oddzielnej zbiorce oraz utylizacji w sposob przyjazny dla srodowiska.

GWARANCJA

Produkty VONROC są wytwarzane zgodnie z najwyższymi standardami jakości i producent udziela gwarancji na wady materiałowe i wady wykonania na okres wymagany prawem, licząc od dnia zakupu. Jeśli wystąpi usterka produktu w tym okresie spowodowana wadą materiałową i/lub wadą wykonania, proszę bezpośrednio skontaktować się ze sprzedawcą VONROC.

Następujące okoliczności powodują unieważnienie gwarancji:

- Przeprowadzono naprawy lub modyfikacje narzędzia w serwisie innym lub autoryzowany lub podjęto ich próbę;
- Normalne zużycie nie jest objęte gwarancją;
- Narzędzie było używane niezgodnie z przeznaczeniem, źle z nim się obchodzono lub było nieprawidłowo konserwowane;
- Użyto części zamiennych innych niż oryginalne.

Niniejsza gwarancja to wyłączna gwarancja producenta i nie obowiązują żadne inne wyrażone ani dorozumiane gwarancje. Nie obowiązują żadne inne wyrażone ani dorozumiane gwarancje o zakresie przekraczającym niniejszą gwarancję, co obejmuje dorozumiane gwarancje przydatności do sprzedaży i przydatności do określonego celu. W żadnym przypadku firma VONROC nie ponosi odpowiedzialności za straty przypadkowe lub wynikowe. Zadośćuczynienie sprzedawcy jest ograniczone do naprawy lub wymiany niezgodnych urządzeń lub części.

Produkt i instrukcja obsługi podlegają zmianom. Dane techniczne podlegają zmianom bez uprzedzenia.

1. INSTRUCȚIUNI DE SIGURANȚĂ



Citiți avertizările de siguranță, avertizările de siguranță suplimentare și instrucțiunile.

*Nerespectarea avertizărilor de siguranță poate cauza producerea de electrocutări, incendii și/sau răni grave. **Păstrați avertizările de siguranță și instrucțiunile pentru referințe viitoare.***

In manualul de utilizare sau pe produs se utilizează următoarele simboluri:



Citiți manualul de utilizare.



Pericol de rănire personală.



Pericol de electrocutare.



Purtați protecții antifonice.



Purtați protecție pentru ochi.



Atenție: Nu atingeți lamele rotative. Lame ascuțite. Aveți grijă să nu vă tăiați degetele de la picioare sau de la mâini. Persoanele din jur, în special copiii și animalele de companie trebuie să păstreze o distanță mai mare de 10 m.



Mașina de tuns iarba nu trebuie să fie folosită fără recipientul de iarbă sau apărătorea în poziție.



Nu utilizați în ploaie sau nu lăsați mașina de tuns iarba în aer liber în timp ce plouă.



Oprțiți și scoateți cheia de siguranță (întrerupătorul de izolare) înainte de a regla, curăța și înainte de a lăsa produsul nesupravegheat pentru o perioadă de timp.



Utilizați numai baterii care sunt încărcate la același nivel. Nu combinați niciodată bateriile încărcate complet și pe jumătate. Încărcați întotdeauna cele două baterii simultan. Durata de funcționare a echipamentului depinde de acumulatorul cu nivelul de încărcare mai mic. Cele două baterii trebuie să fie întotdeauna încărcate complet înainte de utilizare. Închideți capacul acumulatorului înainte de utilizare.



Așteptați până când toate componentele mașinii sau oprit complet înainte de a le atinge. Lamele continuă să se rotească și după ce mașina este oprită; o lamă în rotație poate provoca răni.



Asigurați-vă că persoanele din jur nu sunt rănite de obiecte aruncate.



Atenționare: Păstrați o distanță de siguranță față de produs în timpul funcționării.



Verificați cu atenție zona în care unealta trebuie utilizată pentru a vedea dacă există animale sălbatice și animale de companie. Animalele sălbatice și animalele de companie pot fi rănite în timp ce mașina este utilizată. Verificați cu atenție zona de lucru și îndepărtați pietrele, bețele, firele, oasele și obiectele străine. Când utilizați mașina, asigurați-vă că nu există animale sălbatice, animale de companie sau cioturi mici de copaci în iarba deasă.



Utilizați încărcătorul de acumulator numai în interior.



Conform cu toate Directivele Europene.



Nu scoateți din uz produsul în containere neadecvate.



Nivelul de putere sonoră garantat LWA = 96 dB(A)

REGULI GENERALE DE PROTECȚIA MUNCII



AVERTISMENT! Citiți toate avertizările de siguranță și toate instrucțiunile. Respectarea tuturor instrucțiunilor prezentate în cele ce urmează este obligatorie pentru evitarea riscurilor de electrocutare, incendiu și/sau de vătămări grave.

Păstrați aceste instrucțiuni.

Termenul "sculă electrică" ce apare în toate avertismentele de mai jos se referă la scula electrică alimentată la priză (prin cablu de alimentare) sau la scula electrică alimentată prin acumulatori (fără cablu de alimentare).

1) Spațiul de lucru

- Mențineți spațiul de lucru curat și bine iluminat.** Spațiile de lucru dezordonate și întunecate predispun la accidente.
- Nu utilizați sculele electrice în medii explozive, ca de exemplu în prezența unor materiale inflamabile cum ar fi lichide, gaze sau praf.** Sculele electrice produc scânteii, care pot aprinde praful sau vaporii.
- În timpul lucrului cu o sculă electrică, nu lăsați copiii sau privitorii să se apropie.** Micșorarea atenției vă poate face să pierdeți controlul.

2) Securitatea din punct de vedere electric

- Ștecherile sculelor electrice trebuie să se potrivescă în priza de alimentare. Nu modificați ștecherul niciodată și în nici un fel. Nu folosiți ștechere de adaptare pentru sculele electrice cu legare la pământ (împământate).** Ștecherile nemodificate și prizele de alimentare corespunzătoare vor reduce riscul de electrocutare.
- Evitați contactul corporal cu suprafețele împământate, cum ar fi conducte, radiatoare, plite sau frigider.** Există un risc sporit de electrocutare în cazul în care corpul dumneavoastră este legat la pământ.
- Nu expuneți sculele electrice la ploaie sau la umezeală.** În urma intrării apei într-o sculă electrică va crește riscul de electrocutare.
- Nu forțați cablul de alimentare. Nu folosiți niciodată cablul de alimentare pentru transport, tragerea sau scoaterea din priză a sculei electrice. Țineți cablul de alimentare departe de sursele de căldură, petrol, vârfuri ascuțite sau de piese în mișcare.** Cablurile de alimentare deteriorate sau încălțite duc la creșterea riscului de electrocutare.
- Atunci când folosiți o sculă electrică în exterior, utilizați un prelungitor corespunzător lucrului în exterior.** Utilizarea unui prelungitor corespunzător lucrului în exterior reduce riscul de electrocutare.
- În cazul în care operarea unei unelte electrice într-un spațiu cu umiditate nu poate fi evitată, utilizați o alimentare cu dispozitiv de protecție la curent rezidual (RCD).** Utilizarea unui dispozitiv RCD reduce riscul electrocutării.

3) Securitatea personală

- Atunci când folosiți o sculă electrică fiți concentrat, fiți atent la ceea ce faceți și acționați**

- conform bunului simț. Nu folosiți o sculă electrică atunci când sunteți sub influența drogurilor, alcoolului sau a medicamentelor.** Un moment de neatenție în timpul utilizării sculelor electrice poate duce la vătămări personale grave.
- b) **Utilizați echipamentul de protecție corporală. Folosiți întotdeauna ochelari de protecție.** Folosirea echipamentelor de protecție conform condițiilor de lucru, ca de exemplu măști de praf, încălțăminte de protecție anti-alunecare, căști de protecție sau antifoane va reduce vătămările personale.
- c) **Evitați pornirea accidentală. Înainte de a introduce scula electrică în priză de alimentare, asigurați-vă că aveți comutatorul de acționare în poziția oPRIT (off).** Transportarea uneltelor electrice ținând degetul pe întrerupător sau alimentarea cu tensiune a uneltelor electrice ce au întrerupătorul în poziția pornit înlesnesc producerea.
- d) **Înainte de a pune în funcțiune scula electrică, îndepărtați toate penele sau cheile de reglare.** O cheie sau o pană care au fost lăsate atașate de o parte rotativă a sculei electrice poate duce la vătămări personale.
- e) **Nu vă întindeți pentru a ajunge la punctul de lucru.** Mențineți permanent un contact ferm al piciorului și un echilibru stabil. În acest fel puteți controla mai bine scula electrică în situații neprevăzute.
- f) **Îmbrăcați-vă în mod adecvat. Nu purtați haine largi sau bijuterii. Părul, hainele și mânușile trebuie menținute departe de părțile în mișcare.** Hainele largi, părul și bijuteriile pot fi agățate și prinse de părțile în mișcare.
- g) **Dacă dispozitivele sunt construite pentru a fi conectate la echipamente de extragere și colectare a prafului, asigurați-vă că aceste echipamente sunt conectate și funcționează corect.** Folosirea unor astfel de echipamente poate reduce pericolele legate de praf.
- h) **Nu lăsați ca obișnuința obținută prin utilizarea frecventă a uneltelor să vă permită să deveniți impasibil și să ignorați principiile de siguranță în utilizarea uneltelor.** O acțiune neglijentă poate provoca accidente grave într-o fracțiune de secundă.
- 4) **Utilizarea și întreținerea sculei electrice**
- a) **Nu forțați scula electrică. Folosiți scula electrică adecvată operațiunii care trebuie efectuată.** O sculă electrică adecvată își va efectua mai bine și mai în siguranță sarcina deoarece este folosită la parametrii pentru care a fost proiectată.
- b) **Nu folosiți scula electrică în cazul în care comutatorul de acționare nu realizează pornirea și oprirea acesteia.** Orice sculă electrică ce nu poate fi comandată cu ajutorul comutatorului de acționare este periculoasă și trebuie reparată.
- c) **Înainte de a efectua orice fel de reglaje, schimbări ale accesoriilor sau pe perioada depozitării sculelor electrice deconectați ștecherul de la sursa de energie electrică.** Astfel de măsuri preventive reduc riscul de pornire accidentală a sculei electrice.
- d) **Nu depozitați sculele electrice neutilizate la îndemâna copiilor și nu permiteți persoanelor care nu sunt familiare cu sculele electrice sau cu prezentele instrucțiuni să le utilizeze.** Sculele electrice sunt periculoase atunci când sunt utilizate de către persoane neinstruite.
- e) **Întrețineți sculele electrice. Verificați alinierea sau prinderea părților în mișcare, verificați componentele sculei pentru a vă asigura că nu sunt sparte și, de asemenea, verificați orice alte situații care ar putea afecta funcționarea sculei electrice. Dacă scula electrică se defectează, reparați-o înainte de a o refolosi.** Sculele electrice întreținute necorespunzător duc la producerea multor accidente.
- f) **Mențineți sculele așchietoare ascuțite și curate.** Sculele așchietoare întreținute corespunzător, având muchiile tăietoare ascuțite, se întepenesc mai greu și sunt mai ușor de controlat.
- g) **Utilizați sculele electrice, accesoriile și burghiile etc., în conformitate cu prezentele instrucțiuni și în mod corespunzător tipului de sculă electrică utilizat, ținând seama de condițiile de lucru și de sarcina care trebuie efectuată.** Utilizarea unor scule electrice pentru operații diferite de cele pentru care acestea au fost proiectate poate duce la situații periculoase.
- h) **Țineți mânerul și suprafețele de prindere uscate, curate și lipsite de ulei și unsoare.** Mânere și suprafețele de prindere alunecoase nu permit manipularea și controlul uneltei în de siguranță în situații neașteptate.
- 5) **Utilizarea și întreținerea uneltei cu acumulator**
- a) **Încărcați din nou numai cu încărcătorul specificat de producătorul.** Încărcătorul potrivit cu un tip de acumulator poate crea riscul incendiului

dacă este utilizat cu un alt acumulator.

- b) **Folosiți instrumentele electrice numai cu acumulator proiectat specific.** Utilizarea oricăror alte acumulatori pot crea riscul accidentului personal și al incendiului.
- c) **În timp ce acumulatorul nu este utilizat, feriți-l de alte obiecte metalice cum ar fi cleme de birou, monede, chei, cuie, șuruburi ori alte obiecte metalice mărunte care ar putea crea conexiunea de la un terminal până la celălalt.** Scurtcircuitarea terminalelor baterii poate cauza arsuri sau incendii.
- d) **Ca urmare a folosirii necorespunzătoare, din acumulator se poate scurge lichid. Evitați contactul cu acesta. În caz de contact accidental, clătiți cu apă. Dacă lichidul intră în contact cu ochi, pe lângă măsurile amintite consultați și un medic.** Lichidul care se scurge din acumulator poate provoca iritarea pielii sau arsuri.
- e) **Nu folosiți un acumulator sau o unealtă care este deteriorată sau modificată.** Acumulatorii deteriorați sau modificați pot avea un comportament imprevizibil care rezultă în foc, explozie sau risc de rănire.
- f) **Nu expuneți acumulatorul sau unealta la foc sau temperatură excesivă.** Expunerea la foc sau temperaturi de peste 130 °C poate provoca explozie. OBSERVAȚIE Temperatura „130 °C” poate fi înlocuită cu temperatura „265 °F”.
- g) **Respectați toate instrucțiunile de încărcare și nu încărcați acumulatorul sau unealta în afara intervalului de temperatură specificat în instrucțiuni.** Încărcarea necorespunzătoare sau la temperaturi în afara domeniului specificat poate deteriora acumulatorul și poate crește riscul de incendiu.
- 6) Service**
- a) **Prevedeți repararea unelei de lucru de către o persoană calificată, folosind exclusiv piese de schimb identice.** Astfel, vă asigurați că este păstrată siguranța unelei electrice.
- b) **Niciodată nu serviți acumulatorii deteriorați.** Servisarea acumulatorilor ar trebui să fie efectuată numai de către producător sau furnizorii autorizați de service.

INSTRUCȚIUNI SUPPLEMENTARE DE SIGURANȚĂ PRIVIND MAȘINILE DE TUNS IARBA CU ACUMULATORI

- Nu permiteți niciodată copiilor sau persoanelor nefamiliarizate cu instrucțiunile să utilizeze produsul. Regulamentele locale pot limita vârsta operatorului. Când nu este folosit nu depozitați produsul la îndemâna copiilor.
- Nu permiteți niciodată copiilor, persoanelor cu limitări fizice, senzoriale sau mentale sau cu lipsă de experiență și/sau cunoștințe și/sau persoanelor care nu cunosc aceste instrucțiuni să utilizeze produsul. Regulamentele locale pot limita vârsta operatorului.
- Copiii trebuie să fie supravegheați, pentru a vă asigura că nu se joacă cu produsul.
- Nu lucrați niciodată când în apropiere se află persoane, în special copii sau animale de companie.
- Utilizatorul este responsabil pentru accidentele sau pericolele care apar la alte persoane sau proprietatea acestora.
- Nu purtați pantofi de cauciuc sau sandale deschise atunci când utilizați produsul. Purtați întotdeauna încălțăminte rezistentă și pantaloni lungi. Nu-l folosiți desculț.
- Inspectați temeinic zona în care urmează să fie folosită mașina și îndepărtați toate pietrele, bețele, firele, oasele și alte obiecte străine.
- Înainte de utilizare, verificați întotdeauna vizual pentru a vedea dacă lamele, șuruburile lamelor și ansamblul tăietor nu sunt uzate sau deteriorate. Înlocuiți lamele și șuruburile uzate sau deteriorate în grup pentru a menține echilibrul.
- Tundeți numai la lumina zilei sau în condiții de lumină artificială bună.
- Evitați tunderea în condiții meteorologice nefavorabile în special atunci când există un risc de trăsnet.
- Evitați să folosiți mașina pe iarbă umedă, dacă este posibil.
- Mergeți și nu alergați niciodată.
- Nu utilizați niciodată mașina cu apăratăori sau scuturi defecte sau cu dispozitivele de siguranță demontate cum ar fi spre exemplu deflectorul sau coșul de colectare a ierbii.
- Vă sfătuim să purtați ochelari de protecție pentru urechi, pentru confortul dvs.
- Nu folosiți niciodată mașina atunci când sunteți obosit, bolnav sau sub influența alcoolului sau a unor medicamente.

- Lucrul pe zone înclinate poate fi periculos:
 - Nu lucrați pe pante foarte abrupte.
 - Asigurați-vă întotdeauna că aveți o poziție bună pe pante sau pe iarba umedă.
 - Tundeți transversal gazonul pe pante în sus și în jos.
 - Fiți deosebit de atenți atunci când schimbați direcția în pantă.
- Fiți extrem de prudent atunci când faceți un pas înapoi sau când trageți mașina spre dvs.
- Nu tundeți niciodată trăgând mașina de tuns iarba spre dvs.
- Așteptați până când lamele se opresc dacă mașina trebuie să fie înclinată pentru transport atunci când traversează alte suprafețe decât iarba și atunci când transportați mașina spre și dinspre zona care urmează să fie cosită.
- Nu înclinați mașina atunci când porniți sau porniți motorul.
- Porniți motorul în conformitate cu instrucțiunile, cu picioarele la distanță față de piesele rotative.
- Nu puneți mâinile sau picioarele în apropierea sau sub piesele rotative.
- Întotdeauna stați departe de zona de descărcare atunci când folosiți mașina.
- Nu ridicați și nu transportați niciodată mașina în timp ce motorul este în funcțiune.
- La depozitare, asigurați-vă că toate cele 4 roți ale unelei de grădină se află pe sol/podea.
- Ridicați unealta de grădină numai cu mânerul de transport. Folosiți cu grijă mânerul de transport.
- Nu modificați mașina. Modificările neautorizate pot afecta siguranța mașinii, pot duce la creșterea zgomotului și a vibrațiilor și la performanțe slabe.
- Scoateți cheia de siguranță (întrerupătorul de izolare):
 - Ori de câte ori părăsiți mașina.
 - Înainte de eliminarea unui blocaj.
 - Înainte de a verifica, de a curăța sau de a lucra la mașină.
 - După lovirea unui corp străin. Inspectați mașina pentru a vedea dacă este deteriorată și schimbați lama, dacă este necesar.
 - Dacă mașina începe să vibreze anormal (verificați imediat).

AVERTISMENTE DE SIGURANȚĂ PENTRU BATERIE

- a) **Nu deschideți bateria.** Pericol de scurtcircuitare.
- b) **Protejați bateria împotriva căldurii, de ex. împotriva expunerii puternice la soare, foc, apă și umiditate.** Pericol de explozie.
- c) **În cazul deteriorării și utilizării necorespunzătoare a bateriei, pot fi emiși vapori. Ventilați zona și solicitați asistență medicală în caz de sesizări.** Vaporii pot irita sistemul respirator.
- d) **Utilizați bateria numai împreună cu produsul dvs. Vonroc.** Numai această măsură protejează bateria împotriva supraîncălzirii periculoase.
- e) **Bateria poate fi deteriorată de obiecte ascuțite, cum ar fi cuie sau șurubelnițe sau prin forță aplicată exter.** Poate apărea un scurtcircuit intern și bateria poate arde, exploda sau supraîncălzi.

AVERTISMENTE DE SIGURANȚĂ PENTRU STAȚII DE ÎNCĂRCARE

Destinația de utilizare

Încărcați doar acumulatorii de tip CD801AA și CD803AA cu încărcătorul. Alte tipuri de acumulatori pot exploda provocând rănire personală și daune.

- a) **Această unealtă nu are voie să fie folosită de persoane (inclusiv copii) cu capacități fizice, senzoriale sau mentale reduse, sau de către persoane lipsite de experiență și cunoștințe, cu excepția cazului în care acestea au fost supravegheate și instruite.**
- b) **Nu lăsați copiii nesupravegheați să se joace cu aparatul.**
- c) **Nu reîncărcați bateriile ne-reîncărcabile!**
- d) **În timpul încărcării, acumulatorii trebuie amplasați într-o zonă bine ventilată!**



Acest aparat poate fi utilizat de copiii cu vârsta de peste 8 ani și de către persoane cu capacități fizice, senzoriale sau mentale reduse sau de către persoane lipsite de experiență și cunoștințe dacă acestea au fost supravegheate și instruite cu privire la utilizarea aparatului în condiții de siguranță și înțeleg riscurile pe care le implică. Copiii nu au voie să se joace cu aparatul. Curățarea și operațiunile de întreținere nu trebuie efectuate de copii fără supraveghere.

Siguranța electrică



Verificați întotdeauna ca tensiunea de la alimentare cu energie să corespundă tensiunii de pe plăcuța cu specificații.

- Nu utilizați mașina în cazul în care cablul de alimentare și/sau fișa acestuia sunt deteriorate.
- Folosiți numai cabluri prelungitoare adecvate pentru puterea mașinii cu o grosime minimă de 1,5 mm². Dacă utilizați o bobină de cablu de extensie, derulați întotdeauna complet cablul.

2. INFORMAȚII CU PRIVIRE LA MAȘINA

Domeniul de utilizare

Acest produs este conceput pentru tunderea gazoului în medii domestice. Mașina de tuns iarba este destinată grădinilor private de acasă. Mașina de tuns iarba nu poate fi folosită pentru a tăia tufișuri, garduri vii sau arbuști, pentru a tăia vegetația înaltă, acoperișurile plantate sau iarba cultivată pe balcon, pentru a curăța (aspira) murdăria și resturile de pe pasarelele sau pentru a tăia tăieturi de copaci sau garduri vii. Mai mult, mașina de tuns iarba nu poate fi folosită ca un plug pentru a nivela suprafețele înalte. Echipamentul trebuie utilizat numai în scopul prescris. Orice altă utilizare este considerată a fi necorespunzătoare.

SPECIFICAȚII TEHNICE



Acest manual a fost realizat pentru diferite numere de seturi/articole. Verificați numărul articolului corespunzător în tabelul de specificații de mai jos pentru a vedea compoziția și conținutul exact al setului.

Nr. model	Baterii incluse	Încărcătoare incluse
LM504DC	-	-
S2_LM504DC	2 x CD801AA	2 x CD802AA
S4_LM504DC	2 x CD803AA	2 x CD802AA or 1 x CD820AA

MAȘINĂ

Nr. model	LM504DC
Tensiune	40V (2 x 20V)
Turație la mers în gol	3400/min
Lățime de tăiere	330 mm
Înălțime de tăiere	30/40/50/60/70mm
Capacitate cutie de colectare a ierbii	30 L
Greutate	8.5 kg
Nivel de protecție	IPX1
Nivelul presiunii acustice (L _{pb})	71.4dB(A), K=2.35dB(A)
Nivelul de putere acustică (L _{wa})	91.4dB(A), K=2.35dB(A)
Valoare vibrații	<2.5m/s ² , K=1.5m/s ²


ACUMULATOR

Nr. model	CD801AA
Tip acumulator	Lithiu-Ion
Voltaj	20V
Capacitate	2.0 Ah
Încărcător recomandat	CD802AA, CD820AA
Greutate	0.3 kg

Nr. model	CD803AA
Tip acumulator	Lithiu-Ion
Voltaj	20V
Capacitate	4.0 Ah
Încărcător recomandat	CD802AA, CD820AA
Greutate	0.65 kg

ÎNCĂRCĂTOR

Nr. model	CD802AA
Intrare încărcător	220-240V, 50Hz 0.4A
Ieșire încărcător	21V 2.5A
Timp de încărcare acumulator 2Ah	60 minute
Timp de încărcare acumulator 4Ah	120 minute
Acumulatori recomandați	CD801AA, CD803AA
Greutate	0.36 kg

Nr. model	CD820AA
Intrare încărcător	220-240V, 50-60Hz, 200W
Ieșire încărcător	21V  2.3A, <3.8A
Timpe de încărcare acumulator 2Ah	45 minute
Timpe de încărcare acumulator 4Ah	85 minute
Acumulatori recomandați	CD801AA, CD803AA
Greutate	0.81 kg

Utilizați numai următoarele baterii ale platformei de baterii VONROC VPOWER 20V. Alte tipuri de acumulatori pot exploda provocand rănire personală și daune.

CD801AA 20V, 2Ah Lithiu-Ion
 CD803AA 20V, 4Ah Lithiu-Ion

Utilizați numai următoarele încărcător pentru a încărca aceste baterii.

CD802AA Încărcător rapid
 CD820AA Încărcător rapid dublu

Bateriile platformei VONROC VPOWER 20V sunt interschimbabile cu toate uneltele VONROC VPOWER 20V.

Nivelul vibrațiilor

Nivelul emisiilor de vibrații menționat în acest manual de instrucțiuni a fost măsurat în conformitate cu un test standardizat precizat în EN60335; poate fi folosit pentru a compara o sculă cu alta și ca evaluare preliminară a expunerii la vibrații atunci când folosiți scula pentru aplicațiile menționate:

- utilizarea sculei pentru aplicații diferite sau cu accesorii diferite și prost întreținute, poate crește semnificativ nivelul de expunere;
- momentele în care scula este oprită sau când funcționează dar nu execută nicio lucrare, pot reduce semnificativ nivelul de expunere.

Protejați-vă împotriva efectelor vibrațiilor prin întreținerea sculei și a accesoriilor sale, păstrând mainile calde și organizând procesele de lucru.

DESCRIERE

Numerale din text se referă la diagramele de la paginile 2-6.

1. Mâner superior
2. Comutator pornire/oprire
3. Buton de siguranță
4. Cablu de alimentare
5. Masina
6. Suport de cablu
7. Mâner de transport
8. Roată
9. Capac de roată
10. Coș de iarbă
11. Capac cutie de colectare a ierbi
12. Capac cutie de iarbă
13. Indicator nivel iarbă
14. Mâner inferior
- 15A. Buton de reglare a mânerului
- 15B. Bolț pentru buton
16. Mâner de transport pentru cutia de iarbă
17. Manetă de reglare a înălțimii
18. Ieșire pentru iarbă
19. Capac compartiment pentru acumulator
20. Compartiment pentru acumulator
21. Cheie de siguranță (întrerupător izolator)
22. Buton deblocare acumulator
23. Acumulator
24. Buton indicatori acumulator LED
25. Indicatori acumulator LED
26. Încarcator
27. Indicatori LED încărcător
28. Lamă
29. Șurub lamă
30. Încarcator
31. Indicator roșu LED încărcător
32. Indicator galben LED încărcător
33. Indicator verde LED încărcător

3. ASAMBLAREA



Înainte de orice lucrare asupra uneltei, decuplați bateria.



Înainte de prima utilizare, acumulatorul trebuie să fie încărcat.



Avertisment: Utilizați numai baterii care sunt încărcate la același nivel. Nu combinați niciodată bateriile încărcate complet și pe jumătate. Încărcați întotdeauna cele două baterii simultan. Durata de funcționare a echipamentului depinde de acumulatorul cu nivelul de încărcare mai mic. Cele două baterii trebuie să fie întotdeauna încărcate complet înainte de utilizare.

Introducerea acumulatorului în mașină (Fig. A, J)



Asigurați-vă că exteriorul acumulatorului este curat și uscat înainte de a-l conecta la acumulator sau la mașină. Închideți capacul acumulatorului înainte de utilizare.

1. Deschideți capacul compartimentului pentru baterii (19).
2. Introduceți acumulatorul (23) în compartiment (20), așa cum este indicat în Fig. J.
3. Apăsați acumulatorul până când se fixează în poziție.
4. Repetați pentru celălalt acumulator (23).
5. Închideți capacul compartimentului pentru baterii (19).

Scoaterea acumulatorului din mașină (Fig. A, J)

1. Deschideți capacul compartimentului pentru baterii (19).
2. Scoateți acumulatorul (23) din compartimentul său (20), așa cum se arată în Fig. J.
3. Repetați pentru celălalt acumulator (23).

Verificarea nivelului de încărcare a acumulatorului (Fig. K)

- Pentru a verifica nivelul de încărcare a acumulatorului, apăsați scurt butonul (24) de pe acumulator.
- Acumulatorul este prevăzut cu 3 lumini care indică nivelul de încărcare, numărul de lumini aprinse semnifică gradul de încărcare a bateriei.
- Atunci când luminile sunt stinse, acest lucru semnifică faptul că acumulatorul este descărcat și trebuie încărcat imediat.

Încărcarea acumulatorului folosind încărcătorul CD802AA (Fig. K)

1. Scoateți acumulatorul (23) din mașină.
2. Întoarceți invers acumulatorul (23) și împingeți-l în încărcător (26), așa cum este indicat în Fig. K.
3. Apăsați acumulatorul până când este introdus complet în locaș.

4. Conectați mufa încărcătorului la o priză electrică și așteptați o perioadă. Indicatorii cu LED (27) de pe încărcător se vor aprinde și vor indica nivelul de încărcare.

Încărcătorul are 2 indicatori LED (27), care indică nivelul procesului de încărcare:

Nivel LED roșu	Nivel LED verde	Nivel de încărcare
Oprit	Oprit	Fără alimentare
Oprit	Pornit	Mod standby: - Nu este niciun acumulator introdus sau, - Acumulator introdus dar încărcarea s-a sfârșit
Pornit	Oprit	Încărcare acumulator în progres

- Încărcarea completă a acumulatorului de 2Ah poate dura până la 60 minute.
- Încărcarea completă a acumulatorului de 4Ah poate dura până la 120 minute.

După încărcarea completă a acumulatorului, scoateți mufa încărcătorului din priză și îndepărtați acumulatorul din încărcător.



Atunci când nu folosiți mașina, este indicat să depozitați acumulatorul în stare încărcată.

Încărcarea acumulatorului folosind încărcătorul dual CD820AA (Fig. L)

1. Scoateți acumulatorul (26) din mașină.
2. Întoarceți invers acumulatorul (26) și împingeți-l în încărcător (30), așa cum este indicat în Fig. L.
3. Apăsați acumulatorul până când este introdus complet în locaș.
4. Conectați mufa încărcătorului la o priză electrică și așteptați o perioadă. Indicatorii cu LED (31, 32, 33) de pe încărcător se vor aprinde și vor indica nivelul de încărcare.

Încărcătorul are 6 indicatori LED (31, 32, 33), care indică nivelul procesului de încărcare:

Element	Condiții	Culoare LED		
		Roșu	Galben	Verde
Așteptare	Pornire alimentare	Pornit	Pornit	Pornit
Încărcare	Încărcare pe jumătate (19-20V DC±0,5V c.c.)	Pornit	Intermitent	Oprit
	Încărcare terminată (19-20V DC±0.5V DC)	Pornit	Pornit	Intermitent
	Încărcare prin impulsuri (20-21V DC±0.5V DC)	Pornit	Pornit	Intermitent
Complet încărcat	Încărcare prin impulsuri ≤300±150mA	Pornit	Pornit	Pornit
	Oprire încărcare			
Temperatură mare	Protecția la temperaturi ridicate este activă	Pornit	Pornit	Pornit

- Încărcarea completă a acumulatorului de 2Ah poate dura până la 45 minute.
- Încărcarea completă a acumulatorului de 4Ah poate dura până la 85 minute.

După încărcarea completă a acumulatorului, scoateți mufa încărcătorului din priză și îndepărtați acumulatorul din încărcător.



Atunci când nu folosiți mașina, este indicat să depozitați acumulatorul în stare încărcată.

Asamblarea mânerului inferior (Fig. A, B)

1. Introduceți mânerul inferior (14) în orificiul prevăzut al corpului mașinii de tuns iarba, așa cum se arată în figura B. Asigurați-vă că gaura mânerului inferior (14) este aliniată cu gaura din corpul mașinii de tuns iarba.
2. Introduceți șurubul în gaură și strângeți-l rotind în sensul acelor de ceasornic, așa cum se arată în figura B.
3. Repetați pașii pentru celălalt mâner inferior (14).

Asamblarea mânerului superior (Fig. A, C, D)

1. Atașați mânerul superior (1) la mânerul inferior (14), folosind șuruburile (15B) și butoanele de mâner (15A) furnizate, așa cum se arată în figura C. Asigurați-vă că ansamblul întrerupătorului de siguranță (3) se află pe partea dreaptă atunci când stați în spatele mașinii de tuns iarba.
2. Fixați cablul pe mâner cu ajutorul suportului de cablu (6), așa cum se arată în figura D.

Notă: Când butoanele mânerului (15A) sunt slăbite, mânerul superior (1) poate fi pliat în jos pentru a depozita mașina de tuns iarba. Asigurați-vă că nu ați prins cablul de alimentare.

Asamblarea și montarea cutiei de iarbă (Fig. A, E, F, G, H)



Mașina de tuns iarba nu trebuie să funcționeze fără ca dispozitivul de colectare a ierbii sau dispozitivul de protecție să fie la locul lor.

Este posibil să folosiți mașina de tuns iarba cu sau fără cutia de iarbă. Amintiți-vă totuși că, atunci când tăiați fără cutia de iarbă, capacul cutiei de iarbă (11) trebuie coborât. Nu acționați mașina de tuns iarba cu capacul de evacuare ridicat.

1. Îmbinați cele două jumătăți ale coșului casetei de iarbă (10), așa cum se arată în figura E.
2. Montați capacul cutiei de iarbă (12) pe coșul cutiei de iarbă asamblat (10), așa cum se arată în figura F.
3. Montați mânerul de transport al cutiei de iarbă (16) pe capacul cutiei de iarbă (12), așa cum se arată în figura G.
4. Figura H prezintă o casetă de iarbă asamblată corect.
5. Ridicați capacul cutiei de iarbă (11) și atașați cutia de iarbă asamblată pe mașina de tuns iarba. Asigurați-vă că elementele de prindere din cutia de iarbă sunt aliniate corect cu suporturile corpului mașinii de tuns iarba.

Notă: cutia pentru iarbă este prevăzută cu un indicator al nivelului de iarbă (13), care arată cantitatea de iarbă tunsă. Atâta timp cât cutia de iarbă nu este plină, indicatorul va fi deschis. Când cutia de iarbă este plină, indicatorul se va închide. În acest caz, opriți imediat tunderea și goliți cutia de iarbă. Acest indicator este doar o orientare aproximativă, iar funcționalitatea sa depinde de acumularea din coșul de iarbă.

Înlocuirea lamei (Fig. A, M)

Înainte de orice lucrare asupra uneltei, decuplați acumulatorul.



Înainte de a efectua orice lucrări la mașină, deconectați ștecherul de la sursa de alimentare. La înlocuirea lamei, purtați mănuși de protecție. Pericol de rănire atunci când atingeți lama.



Utilizați numai lame care sunt recomandate de producător.

1. Îndepărtați cutia de iarbă.
2. Răsturnați mașina de tuns iarba pe o parte.
3. Țineți ferm lama folosind mănuși de protecție.
4. Rotiți șurubul de fixare a lamei de tăiere în sens invers acelor de ceasornic pentru a-l slăbi, așa cum se arată în figura P.
5. Înlocuiți sau ascuțiți lama.
6. Instalați lama, utilizați procedura de mai sus în ordine inversă (găurile din lamă trebuie așezate pe știfturile axului).
7. Cel mai bine este să încredințați ascuțirea sau înlocuirea lamei unei persoane calificate. Doar piesele originale trebuie să fie folosite. Toate defectele trebuie reparate la atelierul de service autorizat de producător.

4. OPERAREA

Înainte de utilizare, verificați întotdeauna vizual pentru a vedea dacă lamele, șuruburile lamelor și ansamblul tăietor nu sunt uzate sau deteriorate. Scoateți mai întâi acumulatorul din unealtă. Înlocuiți lamele și șuruburile uzate sau deteriorate în grup pentru a menține echilibrul. Înlocuiți lamele și șuruburile uzate sau deteriorate în grup pentru a menține echilibrul.



Dacă mașina începe să vibreze anormal (verificați imediat):

- verificați dacă există daune,
- înlocuiți sau reparați orice piese deteriorate,
- verificați și strângeți piesele libere.



Decuplați imediat mașina în următoarele cazuri:

- de fiecare dată când părăsiți mașina,
- înainte de a șterge blocajele sau de a debloca jgheabul,
- înainte de a verifica, de a curăța sau de a lucra la mașină,
- după lovirea unui corp străin. Inspectați mașina pentru a descoperi eventualele deteriorări și reparați-le înainte de a o utiliza din nou;



Fiți atent atunci când reglați mașina pentru a preveni prinderea degetelor între lamele în mișcare și părțile fixe ale mașinii.

Reglarea înălțimii de tăiere (Fig. A, I)

Opriti echipamentul, așteptați ca lama să se oprească și scoateți acumulatorul. Există riscul de rănire.

În funcție de înălțimea de tăiere preferată, puteți regla nivelul de înălțime întruna din cele cinci poziții. Reglați înălțimea de tăiere în funcție de nevoile gazonului dvs. Înălțimea de tăiere depinde de tipul de gazon și de înălțimea reală a acestuia. Atunci când tundeți iarba înaltă, începeți cu înălțimea maximă de tăiere și efectuați o a doua tăiere cu o înălțime de tăiere mai mică. Pentru prima tăiere a sezonului trebuie să se aleagă întotdeauna o înălțime de tăiere mai mare.

1. Trageți maneta de reglare a înălțimii (17) spre exterior (departe de carcasa mașinii), așa cum se arată în figura I.
2. În timp ce țineți maneta de reglare a înălțimii (17) în poziția exterioară, împingeți-o înainte sau înapoi până la înălțimea de tăiere dorită.
3. Eliberați maneta (17) și asigurați-vă că s-a angajat corect în fantă.

OBSERVAȚIE: Sunt disponibile 5 niveluri de înălțime de tăiere: 30 mm, 40 mm, 50 mm, 60 mm, 70 mm.

Pornirea/oprirea mașinii (Fig. A, N)

Înainte de a începe, puneți produsul pe o suprafață plană, fără iarbă înaltă.



Curățați partea inferioară a platformei înainte de a porni mașina.



Țineți-vă picioarele la distanță de lama de tăiere.



Nu înclinați produsul atunci când porniți motorul.

1. Asigurați-vă că cheia de siguranță (21) este introdusă în locul desemnat sub capacul acumulatorului (19)
2. Pentru a porni mașina, apăsați și țineți apăsat butonul de siguranță (3) și apăsați butonul de pornire/oprire (2). Ținând apăsat butonul de pornire/oprire (2), puteți elibera butonul de siguranță (3).
3. Pentru a opri mașina, eliberați comutatorul de pornire/oprire (2) și așteptați până când lama se oprește.

Operarea mașinii de tuns iarba (fig. A, O)



Asigurați-vă întotdeauna că între utilizator și carcasa mașinii de tuns iarba se păstrează o distanță de siguranță (asigurată de lungimea mânerelor lungi).



Fiți deosebit de atent atunci când tundeți și schimbați direcția pe pante și înclinații. Mențineți o poziție solidă și purtați încălțăminte rezistentă, antiderapantă și pantaloni lungi. Tundeți întotdeauna de-a lungul pantei (nu în sus și în jos). Din motive de siguranță, mașina de tuns iarba nu poate fi utilizată pentru a tunde pante a căror înclinație depășește 15 grade.



Aveți grijă deosebită atunci când dați cu spatele și trageți mașina de tuns iarba. Pericol de împiedicare!

Înainte de utilizare

- Asigurați-vă că gazonul este liber de pietre, bețe, sârmă sau alte obiecte care ar putea deteriora produsul.
- Nu tăiați iarba umedă, deoarece aceasta tinde să se lipească de partea inferioară a produsului, împiedicând evacuarea corectă a firelor de iarba tăiate și, de asemenea, vă poate face să alunecați și să cădeți.
- Nu tăiați niciodată mai mult de o treime din lungimea totală a gazonului pentru a avea un gazon sănătos. Toamna, gazonul trebuie tăiat doar atât timp cât este în creștere.

- Împingeți încet produsul înainte, nu forțați.
- Tăiați în rânduri ușor suprapuse. Cea mai eficientă metodă este cea care taie tot gazonul, fără să lipsească niciun punct, așa cum se arată în figura O.
- Cerc în jurul paturilor de flori. Când ajungeți la un strat de flori în mijlocul gazonului, tăiați un rând sau două în jurul circumferinței patului.
- Acordați o atenție deosebită atunci când schimbați direcția.
- Tundeți întotdeauna de-a lungul pantelor (nu în sus și în jos). Puteți preveni alunecarea mașinii de tuns iarba în jos prin menținerea unei poziții înclinate în sus.
- Selectați înălțimea de tăiere în funcție de lungimea ierbii. Efectuați mai multe treceri pentru a preveni tăierea unei cantități prea mari de iarbă dintr-o dată.
- Goliți periodic caseta de iarbă.

Notă: Durata de funcționare a acumulatorilor și, prin urmare, suprafața în metri pătrați care poate fi acoperită cu o singură încărcare a acumulatorului depinde în mare măsură de starea ierbii (de exemplu, densitate, umiditate, înălțime, înălțime de tăiere etc.) și de viteza de cosire (viteza de deplasare). Pentru a adapta suprafața acoperită la cerințele dumneavoastră individuale, se recomandă să tundeți gazonul mai des, cu o înălțime de tăiere mai mare și la o viteză adecvată. Pornirea și oprirea frecventă a echipamentului în timpul cositului va reduce, de asemenea, suprafața pe care o puteți acoperi. Dacă durata de funcționare a bateriilor reîncărcabile (acoperirea zonei) este în continuare nesatisfăcătoare în ciuda măsurilor de mai sus, puteți remedia problema prin utilizarea unor baterii reîncărcabile cu o capacitate mai mare (Ah).

După utilizare

1. După utilizare, opriți produsul, deconectați cheia de siguranță (21).
2. Scoateți acumulatorul (23).
3. Verificați, curățați și depozitați produsul așa cum este descris în capitolul „Întreținerea”.

5. ÎNTREȚINERE



Opriti echipamentul, așteptați ca lama să se oprească și scoateți acumulatorul. Există riscul de rănire.

Întreținerea

Mașina de tuns iarba a fost proiectată să funcționeze pe o perioadă lungă de timp, cu o întreținere minimă. Funcționarea continuă satisfăcătoare depinde de îngrijirea corespunzătoare a cositoarei și de curățarea regulată.

- Păstrați mașina de tuns iarba curată și uscată.
- Folosiți în mod regulat un răzuitor pentru a îndepărta iarba și mizeria de pe mașina de tuns iarba.
- Pentru a curăța mașina de tuns iarba, folosiți doar săpun delicat și o cârpă umedă. Nu permiteți niciodată pătrunderea vreunui lichid în mașină și nu scufundați niciodată vreo parte a mașinii în lichid. Nu utilizați nicio soluție de curățare abrazivă sau pe bază de solvenți.

Oprți lama (lamele) dacă mașina trebuie să fie înclinată pentru transport la traversarea altor suprafețe decât iarbă și când transportați mașina la și de la zona de utilizat. Nu porniți mașina când stați în fața deschidere de evacuare.

Depozitarea

Lăsați mașina să se răcească înainte de a o depozita. Înlocuiți piesele uzate sau defecte pentru siguranță. Utilizați numai piese și accesorii originale.

1. Oprți produsul, deconectați cheia de siguranță (21) și scoateți acumulatorul (23) înainte de depozitare.
2. Curățați mașina așa cum este descris mai sus.
3. Depozitați mașina și accesoriile sale într-un loc întunecat, uscat, ferit de îngheț și bine ventilat. Temperatura ideală de depozitare variază între 10°C și 30°C.
4. Depozitați întotdeauna mașina într-un loc inaccesibil copiilor.
5. Vă recomandăm să folosiți ambalajul original pentru depozitare sau să acoperiți produsul cu o cârpă sau o carcasă adecvată pentru a-l proteja de praf.

Transportul

1. Oprți produsul, deconectați cheia de siguranță (21) și scoateți acumulatorul (23) înainte de a-l transporta.
2. Transportați întotdeauna produsul prin mânerul de transport (7).
3. Protejați mașina de orice impact puternic sau vibrații puternice care pot apărea în timpul transportului în vehicule.

4. Fixați mașina pentru a preveni alunecarea sau căderea acestuia, deteriorarea și rănirea.

MEDIU ÎNCONJURĂTOR



Aparatele electrice sau electronice deteriorate si/sau defecte trebuie colectate în locurile de reciclare corespunzătoare.

Numai pentru tarile din CE

Nu aruncați echipamentele actionate electric împreună cu gunoiul menajer. Conform Indicatiei europene 2012/19/EU pentru echipamente electrice și electronice uzate și a implementării sale la nivel national, echipamentele actionate electric scoase din uz trebuie colectate separat și evacuate într-o manieră ecologică.

GARANȚIE

Produsele VONROC sunt realizate la cele mai înalte standarde de calitate și sunt garantate în privința materialelor și a manoperei pentru întreaga perioadă de utilizare în garanție, începând cu data achiziției. În cazul în care produsul se defectează în timpul perioadei de utilizare, contactați direct VONROC.

Următoarele circumstanțe sunt excluse de la această garanție:

- Reparațiile sau modificările care realizate sau care s-au încercat a fi efectuate de centre de service neautorizate.
- Uzura în condiții normale.
- Unealta care a fost abuzată, utilizată într-un mod neglijent sau întreținută în mod inadecvat.
- Folosirea unor piese de schimb neoriginale.

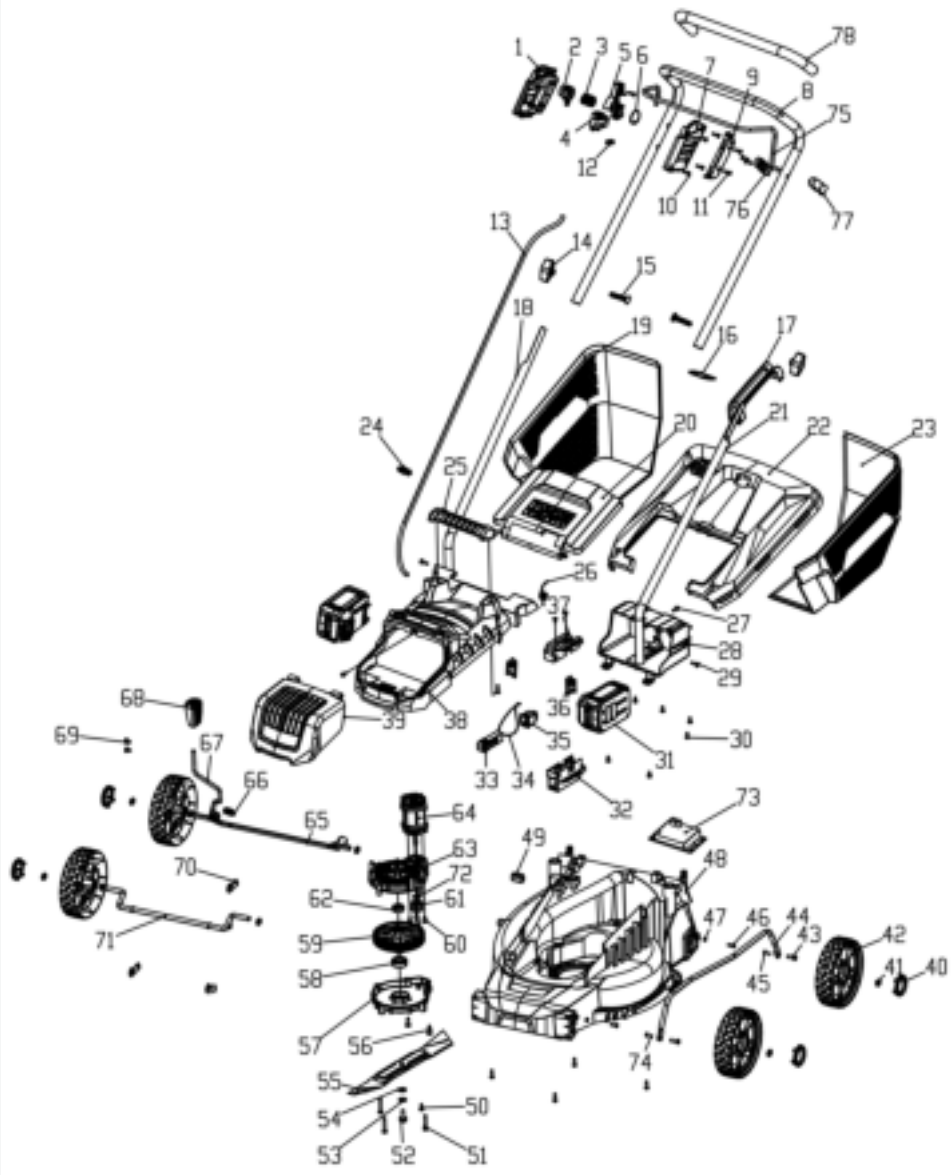
Această acoperă garanția companiei, explicită sau implicită. Nu există alte garanții explicite sau implicite care să se extindă dincolo de cele indicate aici, incluzând garanțiile, vandabilitatea sau adecvarea pentru un anumit scop. În nicio situație, VONROC nu este responsabil pentru daunele incidentale sau consecvențiale. Reparațiile efectuate de reprezentant trebuie să fie limitate la reparațiile sau la înlocuirea unităților sau a pieselor neconforme.

Produsul și manualul de utilizare pot suferi modificări. Specificațiile se pot modifica fără notificare prealabilă.

SPARE PARTS LIST

No.	Description	Position
482094	Blade holder	59
482095	Switch complete	1..7 9..13
482096	Wheel assembly	40 41 42
482097	Upper handle bar	8
482098	Handle bar knob	14 15
482099	Lower handle bar	18 21
482100	Grass collector complete	17 19 22 23
482101	Mowing height adjuster	43,47 65..71 74
482102	Hood complete	25 38 39
482103	Motor	64
482093	Motor	23

EXPLODED VIEW





DECLARATION OF CONFORMITY
LM504DC / S2_LM504DC / S4_LM504DC - ELECTRIC LAWN MOWER

- (EN) We declare under our sole responsibility that this product is in conformity with directive 2011/65/EU of the European parliament and of the council of 8 June on the restriction of the use of certain hazardous substances in electrical and electronic equipment is in conformity and accordance with the following standards and regulations:
- (DE) Der Hersteller erklärt eigenverantwortlich, dass dieses Produkt der Direktive 2011/65/EU des Europäischen Parlaments und des Rats vom 8. Juni 2011 über die Einschränkung der Anwendung von bestimmten gefährlichen Stoffen in elektrischen und elektronischen Geräten entspricht. den folgenden Standards und Vorschriften entspricht:
- (NL) Wij verklaren onder onze volledige verantwoordelijkheid dat dit product voldoet aan de conform Richtlijn 2011/65/EU van het Europees Parlement en de Raad van 8 juni 2011 betreffende beperking van het gebruik van bepaalde gevaarlijke stoffen in elektrische en elektronische apparatuur en in overeenstemming is met de volgende standaarden en reguleringen:
- (FR) Nous déclarons sous notre seule responsabilité que ce produit est conforme aux standards et directives suivants: est conforme à la Directive 2011/65/EU du Parlement Européen et du Conseil du 8 juin 2011 concernant la limitation d'usage de certaines substances dangereuses dans l'équipement électrique et électronique.
- (ES) Declaramos bajo nuestra exclusiva responsabilidad que este producto cumple con las siguientes normas y estándares de funcionamiento: se encuentra conforme con la Directiva 2011/65/UE del Parlamento Europeo y del Consejo de 8 de junio de 2011 sobre la restricción del uso de determinadas sustancias peligrosas en los equipos eléctricos y electrónicos.
- (IT) Dichiariamo, sotto la nostra responsabilità, che questo prodotto è conforme alle normative e ai regolamenti seguenti: è conforme alla Direttiva 2011/65/UE del Parlamento Europeo e del Consiglio dell'8 giugno 2011 sulla limitazione dell'uso di determinate sostanze pericolose nelle apparecchiature elettriche ed elettroniche.
- (SV) Vi garanterar på eget ansvar att denna produkt uppfyller och följer följande standarder och bestämmelser: uppfyller direktiv 2011/65/EU från Europeiska parlamentet och EG-rådet från den 8 juni 2011 om begränsningen av användning av farliga substanser i elektrisk och elektronisk utrustning.
- (DA) Vi erklærer under eget ansvar, at dette produkt er i overensstemmelse med følgende standarder og bestemmelser: er i overensstemmelse med direktiv 2011/65/EU fra Europa-Parlamentet og Rådet af 8. juni 2011 om begrænsning af anvendelsen af visse farlige stoffer i elektrisk og elektronisk udstyr.
- (PL) Deklarujemy na własną odpowiedzialność, że ten produkt spełnia wymogi zawarte w następujących normach i przepisach: jest zgodny z Dyrektywą 2011/65/UE Parlamentu Europejskiego i Rady z dnia 8 czerwca 2011 r. w sprawie ograniczenia stosowania niektórych niebezpiecznych substancji w sprzęcie elektrycznym i elektronicznym.
- (RO) Declaram prin aceasta cu răspunderea deplină că produsul acesta este în conformitate cu următoarele standarde sau directive: este în conformitate cu Directiva 2011/65/UE a Parlamentului European și a Consiliului din 8 iunie 2011 cu privire la interzicerea utilizării anumitor substanțe periculoase la echipamentele electrice și electronice.

Measured sound power level: 91.4 dB(A)

Guaranteed sound power level: 96 dB(A)

Conformity assessment method to Annex VI Directive 2000/14/EC amended by 2005/88/EC.

The notified body involved: TÜV SÜD Industrie Service GmbH, Certification Body of the Notified Body 0036

EN 60335-1, EN 60335-2-77, EN 62233, EN 55014-1, EN 55014-2, EN 61000-3-2, EN 61000-3-3, 2006/42/EC, 2014/30/EU, 2000/14/EC ANNEX VI & 2005/88/EC, 2012/19/EU, 2011/65/EU

Zwolle, 01-12-2021

H.G.F Rosberg
CEO

VONROC • Lingenstraat 6 • 8028 PM Zwolle • The Netherlands



VONROC®
BUILD YOUR FUTURE

©2021 VONROC
WWW.VONROC.COM

2112-14