



Refrigerator

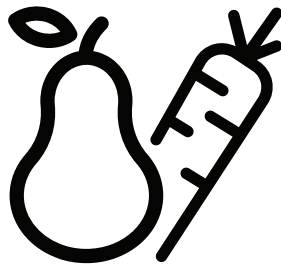
User manual

Réfrigérateur

Manuel d'utilisation

Kühlschrank/Gefrierschrank

Bedienungsanleitung



RCNE560E40ZXBN - RCNE560E40DZXBN



EN / FR / DE

58 5366 0000/AC

1/8

Please read this manual before using the product!

Dear Valued Customer,




We wish you to get the best results from your product that has been manufactured meticulously at modern plants and tested with detailed quality control checks.

For this reason, we recommend that you read this user manual thoroughly before starting the product. If you hand over the product to someone else, please remember to give the user manual as well.

This manual will help you use your appliance in a fast and safe way.

- Please read this user manual carefully before installing and using the product.
- Always follow the applicable safety instructions.
- Keep the user manual in an easily accessible place for further use.
- Please read all the other documents provided with the product.

Please keep in mind that this manual may apply to several product models. This manual expressly indicates the differences between various models.

	Important information and useful hints.
	Risk of injury and property damage.
	Risk of electric shock.
	Packaging materials of this product has been manufactured from recyclable materials in accordance with the National Environment Regulations.

INFORMATION



SUPPLIER'S NAME

MODEL IDENTIFIER → (*)

A

A

The model information as stored in the product data base can be reached by entering following website and searching for your model identifier (*) found on energy label.





<https://eprel.ec.europa.eu/>

1 Important Instructions Regarding Safety and Environment	9	5.16. Cleaning the water tank	23
1.1. General Safety	9	5.17. Drip tray	24
1.1.1 Hydrocarbon (HC) Warning	11	5.18. HerbBox/HerbFresh	24
1.1.2 For Products with a Water Dispenser/Ice Machine	11	5.19. Freezing fresh food	25
1.2. Intended Use	12	5.20. Recommendations for storing frozen foods	25
1.3. Children's Safety	12	5.21. Deep freezer details	26
1.4. Compliance with the WEEE Directive and Disposing the Waste Product:	12	5.22. Placing the food	26
1.5. Compliance with the RoHS Directive:	12	5.23. Door open alert	26
1.6. Packaging Information	12	5.24. Changing the opening direction of the door	26
2 Your Refrigerator	13	5.25. Interior light	26
3 Installation	14	5.26. Blue light/HarvestFresh	26
3.1. Right place for installation.	14	5.27. The dairy (cold storage) bin	26
3.2. Attaching the plastic wedges	14	6 Care and Cleaning	27
3.3. Adjusting the stands	14	6.1. Avoiding Bad Odours	27
3.4. Power connection.	14	6.2. Protection of plastic surfaces	27
4 Preparation	15	6.3. Cleaning the Inner Surface	27
4.1. What to do for energy saving	15	6.4. Stainless Steel Outer Surfaces	27
4.2. First Use	15	6 Care and Cleaning	28
5 Using the product	16	6.5. Cleaning Products with Glass Doors	28
5.1. Indicator panel	16	7 Troubleshooting	29
5.2. Ice bucket	18		
5.3. Eggholder	18		
5.4. Fan	18		
5.5. Vegetable bin	18		
5.6. Zero degree compartment	18		
5.7. Using the second crisper of the product;	19		
5.8. Moving door rack	20		
5.9. Sliding storage box	20		
5.10. Moisture controlled vegetable bin	20		
5.11. Deodoriser Module	21		
5.12. Automatic ice machine	21		
5.13. Icematic and ice storage container	22		
5.14. Using the water dispenser	22		
5.15. Filling the water dispenser's tank	23		

1 Important Instructions Regarding Safety and Environment

This chapter contains safety information that will help you avoid the risk personal injury or property damage. Failure to follow these instructions shall render any product warranty void.

Intended use

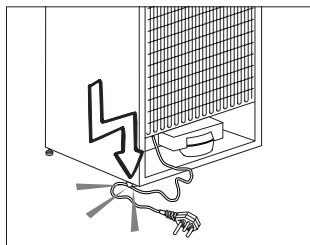
	WARNING: Keep ventilation openings, in the appliance enclosure or in the built-in structure, clear of obstruction.
	WARNING: Do not use mechanical devices or other means to accelerate the defrosting process, other than those recommended by the manufacturer.
	WARNING: Do not damage the refrigerant circuit.
	WARNING: Do not use electrical appliances inside the food storage compartments of the appliance, unless they are of the type recommended by the manufacturer.

This appliance is intended to be used in household and similar applications such as

- staff kitchen areas in shops, offices and other working environments;
- farm houses and by clients in hotels, motels and other residential type environments;
- bed and breakfast type environments;
- catering and similar non-retail applications.

1.1. General Safety

- Persons with physical, sensory or mental disabilities; persons who lack experience and information and children should not approach, enter or play with the product.
- Failure to follow the instructions and uncontrolled use of the product lead to dangerous results!
- Unplug the product if you encounter a failure during use.
- If the product malfunctions, it must not be operated until repaired by the authorised service provider. Risk of electric shock!
- Plug the product into a grounded socket protected by a fuse that corresponds to the value on its nameplate. Have a qualified electrician ground the product. Our company cannot be held responsible for damages resulting from the failure to use the product with a grounded socket pursuant to local regulations.
- Unplug the product when not in use.
- Never wash the product by spreading or pouring water onto it! Risk of electric shock!
- Never touch the plug with wet hands!
- Never unplug the product by pulling the cable. Always pull the plug by holding the socket.



Safety and environment instructions

- Do not plug the refrigerator if the wall socket is loose.
- Never connect your refrigerator to energy saving devices. Such systems are harmful to your product.
- Unplug the product during installation, care, cleaning and repairing procedures.
- Always have the **Authorised Service Provider** install the product and establish its electrical connections. The manufacturer cannot be held responsible for damages caused by procedures performed by unauthorised persons.
- Do not eat cone ice cream or ice cubes immediately after you take them out of the freezer compartment! This may cause frostbite in your mouth!
- Do not touch frozen food with wet hands! They may stick to your hand!
- Do not put bottled or canned liquid beverages in the freezer compartment. They may burst!
- Never use steam or steam cleaners to clean or defrost the refrigerator. Steam gets into contact with the live parts in your refrigerator, causing short circuit or electric shock!
- Do not use mechanical devices or other means to accelerate the defrosting process other than those recommended by the manufacturer.
- Never use the parts in your refrigerator such as the door and drawer as a means of support or step. This may cause the product to tip over or damage the parts of it.
- Do not damage the parts where the refrigerant is circulating with drilling or cutting tools. The refrigerant that might blow out when the gas channels of the evaporator, pipe extensions or surface coatings are punctured causes skin irritations and eye injuries.
- Do not cover or block the ventilation holes in your refrigerator with any object.
- Place the beverage with higher proofs tightly closed and vertically.
- Do not use gaseous sprays near the product since there is the risk of fire or explosion!
- Flammable items or products that contain flammable gases (e.g. spray) as well as explosive materials should never be kept in the appliance.
- Do not place vessels filled with liquid onto the product. Splashing water on an electrical part may cause electric chock or the risk of fire.
- Do not store items that need precise temperature adjustment (such as vaccines, heat-sensitive medication, science materials etc.) in the refrigerator.
- If you are not going to use the product for a long time, unplug it and remove the food in it.
- If there is a blue light on the refrigerator, do not look at this light with optical tools.
- Exposing the product to rain, snow, sun or wind is dangerous in terms of electrical safety.
- In products with mechanical control (thermostat), wait for 5 minutes to plug in the product again after unplugging.
- Do not overload the refrigerator. Objects in the refrigerator may fall down when the door is opened, causing injury or damage. Similar

Safety and environment instructions




problems may arise if any object is placed onto the product.

- If the product has a door handle, do not pull the handle when re-locating the product. The handle might be loose.
- Be careful not to jam your hand or any other body part in the moving parts of the refrigerator.
- Do not put your hand or any other foreign materials into the ice machine while it is operating.

1.1.1 Hydrocarbon (HC) Warning

- If your product's cooling system contains R600a:

This gas is flammable. Therefore, pay attention not to damage the cooling system or the piping during use and transportation. If damaged, keep the product away from potential fire sources that may cause it to catch fire and ventilate the room where the product is placed.

	If the product is damaged and if you see gas leak, please keep away from the gas. It may cause frostbite when it gets into contact with the skin. (including R134)
	Ignore this warning if the cooling system of your product contains R134a.
	Type of gas used in the product is stated on the type plate which is on the left wall inside the refrigerator.



WARNING:

Never throw the product into fire for disposal.

1.1.2 For Products with a Water Dispenser/Ice Machine

- Pressure for cold water inlet shall be maximum 90 psi (620 kPa). If your water pressure exceeds 80 psi (550 kPa), use a pressure limiting valve in your mains system. If you do not know how to check your water pressure, ask for the help of a professional plumber.
- If there is a risk of water impact in your installation, always use a water impact protection equipment in that installation. Please consult professional plumbers if you are not sure if there is water impact in your installation.
- Do not make installation on the hot water inlet.
- Use drinking water only.
- Take the necessary measures against the freezing risk of the hoses. The water temperature operating range must be 0.6°C (33°F) minimum and 38°C (100°F) maximum.



WARNING:

Never connect the product to a cold water mains with a pressure of 550 kPa (80 psi) or above.

Safety and environment instructions

1.2. Intended Use

- This product has been designed for domestic use. It is not suitable for commercial use and it must not be used out of its intended use.
- It must be used only for storing food.
- The manufacturer will not take any responsibility for damages resulting from improper use or transport.
- Original spare parts will be available for 10 years after the purchase date of the product.

1.3. Children's Safety

- If there is a lock on the door of the product, the key should be kept out of the reach of children.
- Do not let children play with the product.

DANGER:

Before disposing your old refrigerator or freezer:

- Children may get locked inside.
- Remove the doors.
- Leave the shelves to prevent children from getting inside the product easily.



1.4. Compliance with the WEEE Directive and Disposing the Waste Product:



This product conforms to the EU WEE Directive (2012/19 EU). This product bears a classification symbol for waste electrical and electronic equipment (WEEE). This product has been manufactured from high quality parts and materials which can be reused and are suitable for recycling. Therefore, do not dispose the product with normal domestic waste or other waste at the end of its service life. Take it to a collection centre for recycling electrical and electronic equipment. Please consult local authorities to learn about the locations of such collection centres.

1.5. Compliance with the RoHS Directive:

The unit you have purchased conforms to the EU RoHS Directive (2011/65/EU). It does not contain harmful or prohibited materials specified in the Directive.

1.6. Packaging Information

- Packaging materials of the product have been manufactured from recyclable materials in accordance with our National Environment Regulations. Do not dispose the packaging materials with normal domestic waste or other types of waste. Take these materials to a recycling point designated by local authorities.

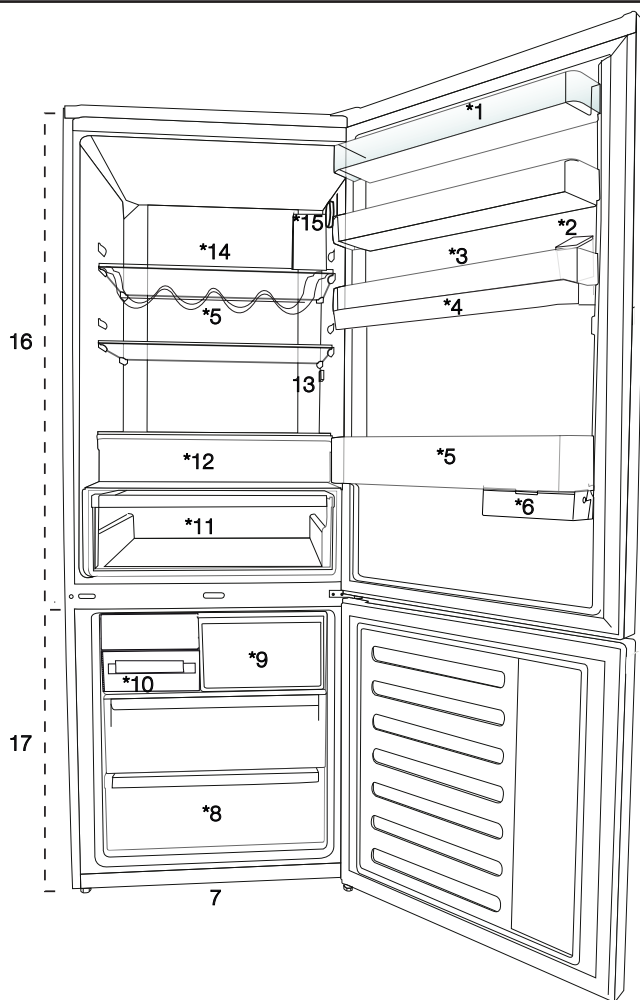
DANGER:

Risk of Fire or Explosion:

- This product uses flammable refrigerant.
- Do not use mechanical devices to defrost the refrigerator.
- Do not use chemicals for cleaning.
- Do not pierce the refrigerant pipe.
- If the refrigerant pipe is pierced, it must be repaired only by licensed service personnel.
- Please consult the repair/user manual before cleaning the product. All safety instructions must be followed.
- Dispose the product according to federal or local regulations.



2 Your Refrigerator



1. Cooler compartment door shelf
2. Water dispenser filling tank
3. Egg section
4. Water dispenser reservoir
5. Bottle shelf
6. Sliding storage box
7. Adjustable legs
8. Deep freezer compartment
9. Quick freeze compartment
10. Ice cube tray & Ice bank
11. Vegetable bin
12. Dairy (cold storage) bin
13. Interior light
14. Cooler compartment glass shelf
15. Temperature adjustment button
16. Cooler compartment
17. Freezer compartment




May not be available in all models



***optional:** Pictures given in this manual are given as example figures and they may not be exactly the same as your product. If your product does not comprise the relevant parts, the information pertains to other models.

3.1. Right place for installation

Contact the Authorized Service for the product's installation. To ready the product for installation, see the information in the user guide and make sure the electric and water utilities are as required. If not, call an electrician and plumber to arrange the utilities as necessary.

	WARNING: The manufacturer assumes no responsibility for any damage caused by the work carried out by unauthorized persons.
	WARNING: The product's power cable must be unplugged during installation. Failure to do so may result in death or serious injuries!
	WARNING: If the door span is too narrow for the product to pass, remove the door and turn the product sideways; if this does not work, contact the authorized service.

- Place the product on a flat surface to avoid vibration.
- Place the product at least 30 cm away from the heater, stove and similar sources of heat and at least 5 cm away from electric ovens.
- Do not expose the product to direct sunlight or keep in damp environments.
- The product requires adequate air circulation to function efficiently.
- If the product will be placed in an alcove, remember to leave at least 5 cm distance between the product and the ceiling and the walls.
- Do not install the product in environments with temperatures below -5°C.
- Your product requires adequate air circulation to function efficiently. If the product will be placed in an alcove, remember to leave at least 5 cm clearance between the product and the ceiling, rear wall and the side walls.
- If the product will be placed in an alcove, remember to leave at least 5 cm clearance between the product and the ceiling, rear wall and the side walls. Check if the rear wall clearance protection component is present at its location (if provided with the product). If the component is not available, or if it is lost or fallen, position the product so that at least 5 cm clearance shall be left between the rear surface of the product and the wall of the room. The clearance at the rear is important for efficient operation of the product.

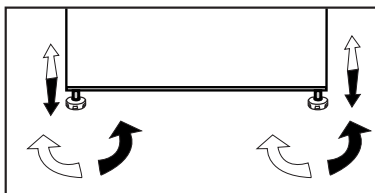
3.2. Attaching the plastic wedges

Use the plastic wedges in the provided with the product to provide sufficient space for air circulation between the product and the wall.




1. To attach the wedges, remove the screws on the product and use the screws provided with the wedges.
2. Attach 2 plastic wedges on the ventilation cover as shown in the figure.

3.3. Adjusting the stands


If the product is not in balanced position, adjust the front adjustable stands by rotating right or left.



3.4. Power connection

	WARNING: Do not use extension or multi sockets in power connection.
	WARNING: Damaged power cable must be replaced by Authorized Service.
	When placing two coolers in adjacent position, leave at least 4 cm distance between the two units.

- Our firm will not assume responsibility for any damages due to usage without earthing and power connection in compliance with national regulations.
- The power cable plug must be easily accessible after installation.
- Do not use multi-group plug with or without extension cable between the wall socket and the refrigerator.

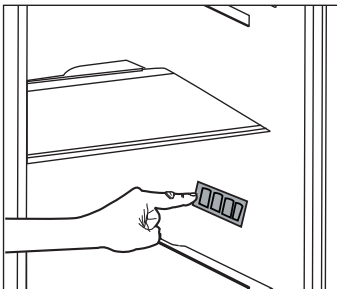
	Hot Surface Warning! Side walls of your product is equipped with refrigerant pipes to improve the cooling system. Refrigerant with high temperatures may flow through these areas, resulting in hot surfaces on the side walls. This is normal and does not need any servicing. Please pay attention while touching these areas.
---	--

4.1. What to do for energy saving



Connecting the product to electronic energy-saving systems is harmful, as it may damage the product.

- For a freestanding appliance; 'this refrigerating appliance is not intended to be used as a built-in appliance' .
- Do not keep the refrigerator doors open for long periods.
- Do not place hot food or beverages into the refrigerator.
- Do not overfill the refrigerator; blocking the internal air flow will reduce cooling capacity.
- In order to store the maximum amount of food into the cooler compartment of your refrigerator, you should take out the upper drawers and place it onto the glass rack. The declared energy consumption of your refrigerator was determined by taking out the cooler, ice tray and upper drawers in a way that will enable maximum storage. Using the below drawer when storing is strongly recommended. Energy saving function should be activated for best energy consumption.
- You should not block the airflow by putting food in front of the cooler fan. A space of minimum 3cm must be left in front of the protective fan wire when placing food.
- Depending on the product's features; defrosting frozen foods in the cooler compartment will ensure energy saving and preserve food quality.
- Food should be stored using the drawers in the cooler compartment in order to ensure energy saving and protect food in better conditions.
- Food packages should not be in direct contact with the heat sensor located in the cooler compartment. If they are in contact with the sensor, energy consumption of the appliance might increase.
- Make sure the foods are not in contact with the cooler compartment temperature sensor described below.



- In case of multiple options are present glass shelves must be placed so that the air outlets at the backwall are not blocked, preferably air outlets are remaining below the glass shelf. This combination may help improving air distribution and energy efficiency.

4.2. First Use

Before using your refrigerator, make sure the necessary preparations are made in line with the instructions in "Safety and environment instructions" and "Installation" sections.

- Keep the product running with no food inside for 6 and do not open the door, unless absolutely necessary.



A sound will be heard when the compressor is engaged. It is normal to hear sound even when the compressor is inactive, due to the compressed liquids and gasses in the cooling system.



Front edges of the product might heat up. This is normal. These areas are designed to warm up in order to prevent condensation.

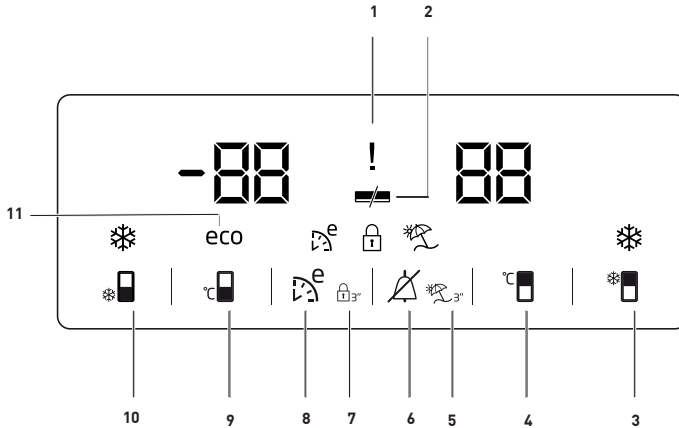


In some models indicator panel turns off automatically 5 minutes after the door closes. It will be reactivated when the door is open or any button is pressed.

- Since hot and humid air will not directly penetrate into your product when the doors are not opened, your product will optimize itself in conditions sufficient to protect your food. Functions and components such as compressor, fan, heater, defrost, lighting, display and so on will operate according to the needs to consume minimum energy under these circumstances.

5.1. Indicator panel

Indicator panel allows you to set the temperature and control the other functions related to the product without opening the door of the product. Just press the inscriptions on relevant buttons for function settings.



1. Power Failure / High temperature / Error status indicator

This indicator (!) illuminates in case of power failure, high temperature and error warnings.

When the temperature of the freezer compartment is heated up to a critical level for the frozen food, the maximum value reached by the freezer compartment temperature flashes on the digital indicator.

Check the food in the freezer compartment.

This is not a malfunction. The warning may be deleted by pressing any button or on high temperature alarm off button. (Cancelling by pressing any button is not applicable for every model.)

This indicator (!) illuminated when a sensor failure occurs, too. When this indicator is illuminated, "E" and figures such as "1,2,3..." are displayed alternatively on the temperature indicator. These figures on the indicator inform the service personnel about the error.

2. Energy saving function (display off)

If the product doors are kept closed for a long time energy saving function is automatically activated and energy saving symbol is illuminated. (☄)

When energy saving function is activated, all symbols on the display other than energy saving symbol will turn

off. When the Energy Saving function is activated, if any button is pressed or the door is opened, energy saving function will be canceled and the symbols on display will return to normal.

Energy saving function is activated during delivery from factory and cannot be canceled.

3. Quick fridge function

The button has two functions. To activate or deactivate the quick cool function press it briefly. Quick Cool indicator will turn off and the product will return to its normal settings. (☄)



Use quick cooling function when you want to quickly cool the food placed in the fridge compartment. If you want to cool large amounts of fresh food, activate this function before putting the food into the product.



If you do not cancel it, quick cooling will cancel itself automatically after 1 hours or when the fridge compartment reaches to the required temperature.

May not be available in all models



***Optional:** The figures in this user guide are intended as drafts and may not perfectly match your product. If your product does not comprise the relevant parts, the information pertains to other models.

Using the product



If you press the quick cooling button repeatedly with short intervals, the electronic circuit protection will be activated and the compressor will not start up immediately.



This function is not recalled when power restores after a power failure.

4. Fridge compartment temperature setting button

Press this button to set the temperature of the fridge compartment to 8,7,6, 5,4,3, 2 ,1 ,8... respectively. Press this button to set the fridge compartment temperature to the desired value. (📺)

5. Vacation Function

In order to activate vacation function, press the this button (🌴) for 3 seconds, and the vacation mode indicator (🌴) will be activated. When the vacation function is activated, "- -" is displayed on the fridge compartment temperature indicator and no active cooling is performed on the fridge compartment. It is not suitable to keep the food in the fridge compartment when this function is activated. Other compartments shall be continued to be cooled as per their set temperature.

To cancel this function press Vacation function button again.

6. Termination of the High Temperature Warning:

In case of power failure/high temperature warning, you may delete the warning (🔔) by pressing any button on the indicator or high temperature alarm off button for 1 second after checking the food inside the freezer compartment.

Note: Cancelling by pressing any button is not applicable for every model.

7. Key lock

Press key lock button (🔒) simultaneously for 3 seconds. Key lock symbol

(🔒) will light up and key lock mode will be activated. Buttons will not function if the Key lock mode is active. Press key lock button simultaneously for 3 seconds again. Key lock symbol will turn off and the key lock mode will be exited.

Press the **key lock** button if you want to prevent changing of the temperature setting of the refrigerator (🔒).

8. Eco fuzzy

Press and hold eco fuzzy button for 1 seconds to activate eco fuzzy function. Refrigerator will start operating in the most economic mode at least 6 hours later and the economic usage indicator will turn on when the function is active (🌿). Press and hold eco fuzzy function button for 3 seconds to deactivate eco fuzzy function.

This indicator is illuminated after 6 hours when eco fuzzy is activated.

9. Freezer compartment temperature setting button

Press this button to set the temperature of the freezer compartment to -18,-19,-20,-21, -22, -23,-24, -18... respectively. Press this button to set the freezer compartment temperature to the desired value. (📺)

10. Quick freeze function button/ icematic on-off button

Press this button to activate or deactivate the quick freezing function. When you activate the function, the freezer compartment will be cooled to a temperature lower than the set value. (🔴📺)

To turn on and off the icematic press and hold it for 3 seconds.



Use the quick freeze function when you want to quickly freeze the food placed in fridge compartment. If you want to freeze large amounts of fresh food, activate this function before putting the food into the product.



If you do not cancel it, Quick Freeze will cancel itself automatically after 24 hours or when the fridge compartment reaches to the required temperature.



This function is not recalled when power restores after a power failure.

11. Economic usage indicator

Indicates that the product is running in energy-efficient mode. (eco) This indicator will be active if the Freezer Compartment temperature is set to -18 or the energy efficient cooling is being performed due to Eco-Extra function.



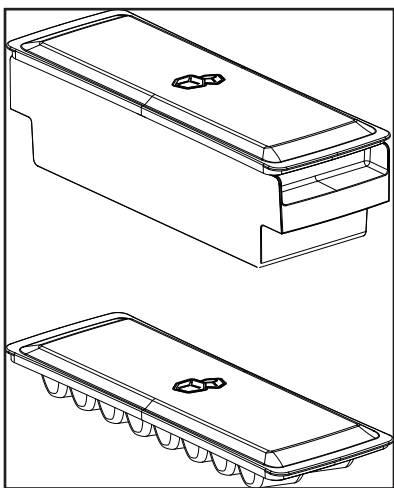
Economic usage indicator is turned off when quick cooling or quick freeze functions are selected.

Using the product

5.2. Ice bucket

*optional

- Take the ice bucket from the freezer compartment.
- Fill the ice bucket with water.
- Place the ice bucket into the freezer compartment.
- The ice will be ready after approximately two hours. Take the ice bucket from the freezer compartment and bend in slightly over the holder that you are going to serve. Ice will easily pour into the serving holder.



5.3. Eggholder

You can put the eggholder on the door or body rack of your choice. If you decide to put it on the body rack, it is recommended to prefer the shelves below as they are colder.

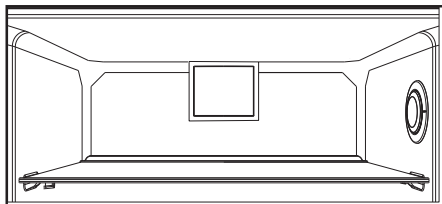


Do not put the eggholder into the freezer compartment.

5.4. Fan

Fan was designed to distribute circulate the cold air inside your refrigerator homogeneously. Operating time of the fan might vary depending the features of your product.

While in some products fan only operates with compressor, in others control system determines the operating time based on the need for cooling.



5.5. Vegetable bin

*optional

Product's vegetable bin is designed to keep vegetables fresh by preserving humidity. For this purpose, the overall cold air circulation is intensified in the vegetable bin.

5.6. Zero degree compartment

*optional

Use this compartment to keep delicatessen at lower temperatures or meat products for immediate consumption.

Zero degree compartment is the coolest place where foods such as dairy products, meat, fish and chicken can be stored in ideal storage conditions. Vegetables and/or fruits should not be stored in this compartment.

Using the product

5.7. Using the second crisper of the product;



Figure 1.

As shown in the figure, there are 2 stoppers in the second crisper of K70560 model product.



Figure 2.

The second crisper looks like Figure 2 when closed.



Figure 3.

With the door is open 90°, pull the second crisper up to the first stopper as shown in Figure 3.

In the case that the drawer is more open, first of all, open the door by at least 135° degrees. After that, as shown in Figure 4, lift the second crisper for about 5 mm so that it is freed from the first stopper.



Figure 4.

After lifting, pull the second drawer up to the second stopper as shown in Figure 5.



Figure 5.

Using the product

5.8. Moving door rack

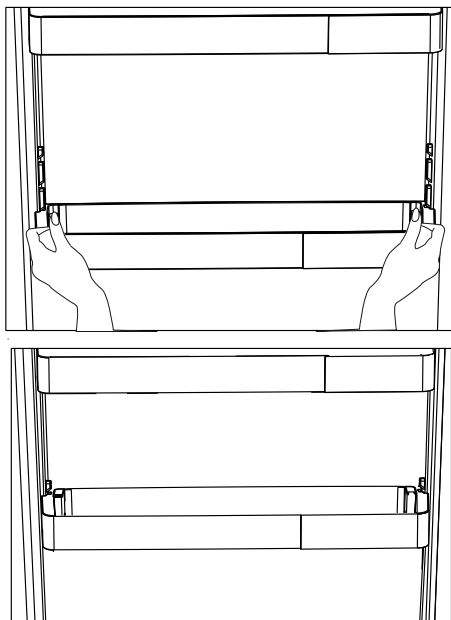
*optional

Moving door rack can be fixed in 3 different positions.

In order to move the rack, push the buttons on the side evenly. Rack will be movable.

Move the rack up or down.

When the rack is in the position that you want, release the buttons. Rack will be fixed again in the position where you have released the buttons.

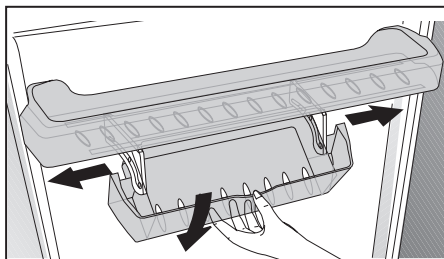


5.9. Sliding storage box

*optional

This accessory has been designed to increase the usage volume of the door racks.

Thanks to its ability to move sideways, it enables you to easily place long bottle, jar or boxes that you put in the bottle rack below.



5.10. Moisture controlled vegetable bin

*optional

With moisture control feature, moisture rates of vegetables and fruits are kept under control and ensures a longer freshness period for foods.

It is recommended to store leafed vegetables such as lettuce and spinach and similar vegetables prone to moisture loss not on their roots but in horizontal position into the vegetable bin as much as possible. When placing the vegetables, place heavy and hard vegetables at the bottom and light and soft ones on the top, taking into account the specific weights of vegetables.

Do not leave vegetables in the vegetable bin in plastic bags. Leaving them in plastic bags causes vegetables to rot in a short time. In situations where contact with other vegetables is not preferred, use packaging materials such as paper that has a certain porosity in terms of hygiene.

Do not put fruits that have a high ethylene gas production such as pear, apricot, peach and particularly apple in the same vegetable bin with other vegetables and fruits. The ethylene gas coming out of these fruits might cause other vegetables and fruits to mature faster and rot in a shorter period of time.

Using the product

5.11. Deodoriser Module

(FreshGuard) *optional

The deodoriser module quickly eliminates the bad smells in your refrigerator before they permeate the surfaces. Thanks to this module, which is placed on the ceiling of the fresh food compartment, the bad odours dissolve while the air is actively being passed on the odour filter, then the air that has been cleaned by the filter is re-emitted to the fresh food compartment. This way, the unwanted odours that may emerge during the storage of foods in the refrigerator are eliminated before they permeate the surfaces.

This is achieved thanks to the fan, LED and the odour filter integrated into the module. In daily use, the deodoriser module will turn on automatically on a periodic basis. To maintain efficient performance, it is recommended to have the filter in the deodoriser module by the authorised service provider every 5 years. Due to the fan integrated into the module, the noise you will hear during operation is normal. If you open the door of the fresh food compartment while the module is active, the fan will pause temporarily and resume where it has left off after some time the door is closed again. In case of power failure, the deodoriser module will resume where it has left off in the total operation duration once the power is back.

Info: It is recommended to store aromatic foods (such as cheese, olives and delicatessen foods) in their packaging and sealed to avoid bad odours that may result when smells of various foods get mixed. Besides, it is recommended to take spoiled foods out of the refrigerator quickly to prevent the other foods from getting spoiled and avoid bad odours.

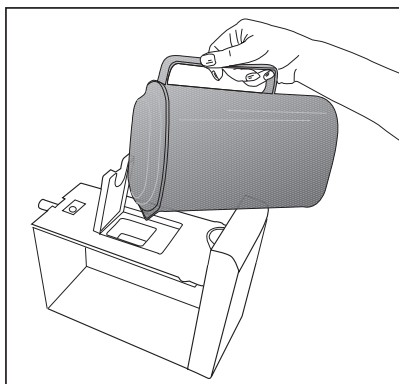
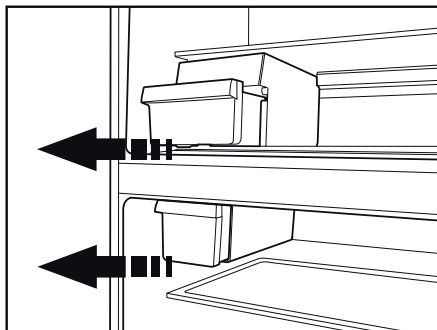
5.12. Automatic ice machine

*optional

Automatic ice machine enables you to easily make ice in your refrigerator. In order to obtain ice from the ice machine, take out the water tank in the cooler compartment, fill it with water and fix it back. First ice will be ready in about 2 hours in the ice machine drawer in the cooler compartment. After placing the full water tank, you can obtain about 60-70 cubes of ice until it is fully empty. If the water in the tank has waited for 2-3 weeks, it should be changed.



In products with automatic ice machine, you might hear a sound when pouring the ice. This sound is normal and is not a sign of failure.



Using the product

5.13. Icematic and ice storage container

*optional

Using the Icematic

Fill the Icematic with water and place it into its seat. Your ice will be ready approximately in two hours. Do not remove the Icematic from its seating to take ice. Turn the knobs on the ice reservoirs clockwise by 90 degrees.

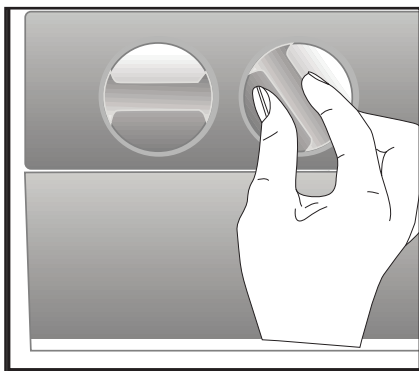
Ice cubes in the reservoirs will fall down into the ice storage container below.

You may take out the ice storage container and serve the ice cubes.

If you wish, you may keep the ice cubes in the ice storage container.

Ice storage container

Ice storage container is only intended for accumulating the ice cubes. Do not put water in it. Otherwise, it will break.



5.14. Using the water dispenser

*optional

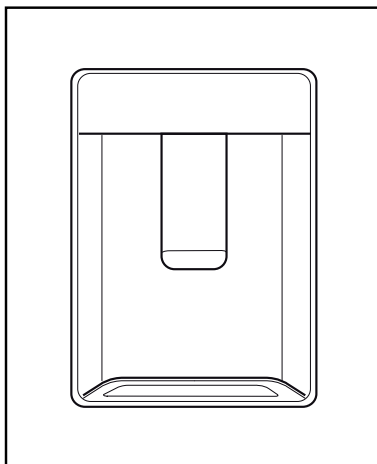


It is normal for the first few glasses of water taken from the dispenser to be warm.



If the water dispenser is not used for a long period of time, dispose of first few glasses of water to obtain fresh water.

1. Push in the lever of the water dispenser with your glass. If you are using a soft plastic cup, pushing the lever with your hand will be easier.
2. After filling the cup up to the level you want, release the lever.



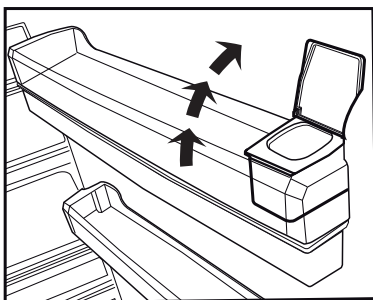
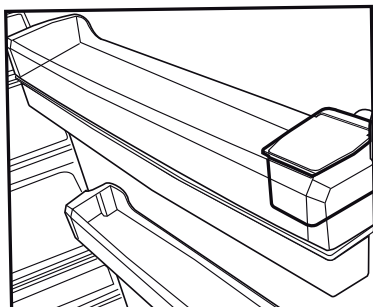
Please note, how much water flows from the dispenser depends on how far you depress the lever. As the level of water in your cup / glass rises, gently reduce the amount of pressure on the lever to avoid overflow. If you slightly press the arm, the water will drip; this is quite normal and not a failure.

Using the product

5.15. Filling the water dispenser's tank

Water tank filling reservoir is located inside the door rack.

1. Open the cover of the tank.
2. Fill the tank with fresh drinking water.
3. Close the cover.



Do not fill the water tank with any other liquid except for water such as fruit juices, carbonated beverages or alcoholic drinks which are not suitable to use in the water dispenser. Water dispenser will be irreparably damaged if these kinds of liquids are used. Warranty does not cover such usages. Some chemical substances and additives contained in these kinds of drinks/liquids may damage the water tank.



Use clean drinking water only.



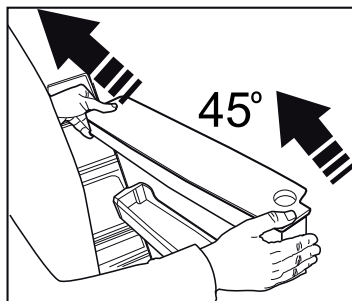
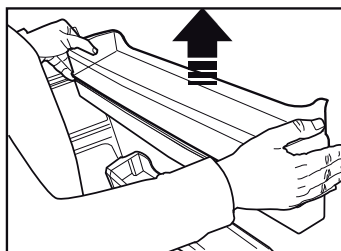
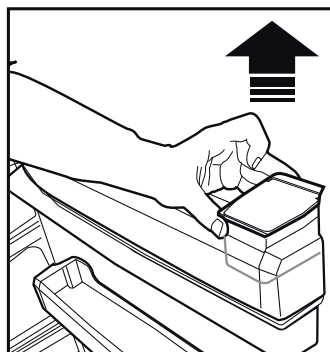
Capacity of the water tank is 3 litres; do not overfill.

5.16. Cleaning the water tank

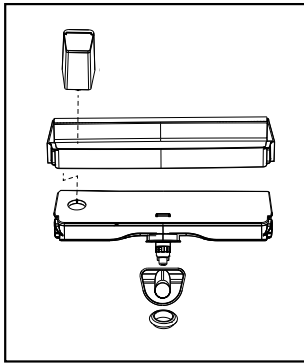
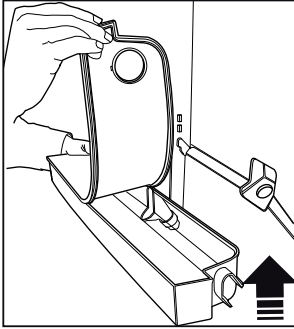
1. Remove the water filling reservoir inside the door rack.
2. Remove the door rack by holding from both sides.
3. Grab the water tank from both sides and remove it with an angle of 45°C.
4. Remove the cover of the water tank and clean the tank.



Components of the water tank and water dispenser should not be washed in dishwasher.



Using the product

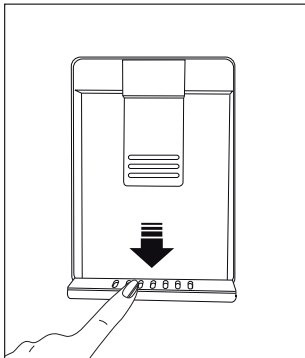


5.17. Drip tray

Water that dripped while using the water dispenser accumulates in the spillage tray.

Remove the plastic filter as shown in the figure.

With a clean and dry cloth, remove the water that has accumulated.



5.18. HerbBox/HerbFresh

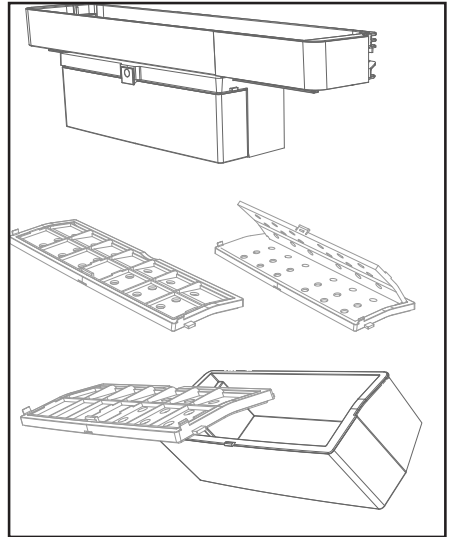
Remove the film container from HerbBox/HerbFresh+

Take the film out of the bag and put it into the film container as shown in the image.

Seal the container again and replace it into HerbBox/HerbFresh+ unit.

HerbBox-HerbFresh+ sections are especially ideal for storage of various herbs that are supposed to be kept in delicate conditions. You can store your unbagged herbs (parsley, dill, etc.) in this section horizontally and keep them fresh for a much longer period.

The film shall be replaced in every six months.



Using the product

5.19. Freezing fresh food

- To preserve food quality, the food items placed in the freezer compartment must be frozen as quickly as possible, use the rapid freezing for this.
- Freezing the food items when fresh will extend the storage time in the freezer compartment.
- Pack the food items in air-tight packs and seal tightly.
- Make sure the food items are packed before putting in the freezer. Use freezer holders, tinfoil and damp-proof paper, plastic bag or similar packaging materials instead of traditional packaging paper.



Ice in the freezing compartment thaws automatically.

- Mark each food pack by writing the date on the package before freezing. This will allow you to determine the freshness of each pack every time the freezer is opened. Keep the earlier food items in the front to ensure they are used first.

- Frozen food items must be used immediately after defrosting and should not be frozen again.
- Do not freeze large quantities of food at once.

5.20. Recommendations for storing frozen foods

The compartment must be set to at least -18°C .

1. Place the food items in the freezer as quickly as possible to avoid defrosting.
2. Before freezing, check the "Expiry Date" on the package to make sure it is not expired.
3. Make sure the food's packaging is not damaged.

Freezer Compartment Temperature Setting	Cooler Compartment Temperature Setting	Details
-18°C	4°C	This is the default, recommended setting.
$-20, -22$ or -24°C	4°C	These settings are recommended for ambient temperatures exceeding 30°C .
Quick Freeze	4°C	Use when you want to freeze your food in a short time. When the process ends, the product will regain its position.
-18°C or colder	2°C	Use these settings if you believe the cooler compartment is not cold enough due to ambient temperature or frequently opening the door.

Using the product

5.21. Deep freezer details

As per the IEC 62552 standards, the freezer must have the capacity to freeze 4,5 kg of food items at -18°C or lower temperatures in 24 hours for each 100 litres of freezer compartment volume.

Food items can only be preserved for extended periods at or below temperature of -18°C .

You can keep the foods fresh for months (in deep freezer at or below temperatures of 18°C).

The food items to be frozen must not contact the already-frozen food inside to avoid partial defrosting.

Boil the vegetables and filter the water to extend the frozen storage time. Place the food in air-tight packages after filtering and place in the freezer.

Bananas, tomatoes, lettuce, celery, boiled eggs, potatoes and similar food items should not be frozen. In case this food rots, only nutritional values and eating qualities will be negatively affected. A rotting threatening human health is not in question.

5.22. Placing the food

Freezer compartment shelves	Various frozen goods including meat, fish, ice cream, vegetables etc.
Cooler compartment shelves	Food items inside pots, capped plate and capped cases, eggs (in capped case)
Cooler compartment door shelves	Small and packed food or beverages
Vegetable bin	Fruits and vegetables
Fresh food compartment	Delicatessen (breakfast food, meat products to be consumed in short notice)

5.23. Door open alert

(Optional)

An audible alert will be heard if the product's door remains open for at least 1 minute. The audible alert will stop when the door is closed or any button on the display (if available) is pressed.

Door open alert is indicated to the user both audibly and visually. Interior lighting will turn off if the warning continues for 10 min.

5.24. Changing the opening direction of the door

You can change the direction of opening of your refrigerator depending on the location where you use it. When you need this, consult the closest Authorized Service.

The explanation above is a general statement. You should check the warning tag located inside the product package about the changeability of direction of the door.

5.25. Interior light

Interior light uses a LED type lamp. Contact the authorized service for any problems with this lamp. Lamp(s) used in this appliance cannot be used for house lighting. Intended use of this lamp is to help the user place food into the refrigerator / freezer safely and comfortably.

5.26. Blue light/HarvestFresh

***May not be available in all models**

For the blue light,

Fruits and vegetables stored in the crispers that are illuminated with a blue light continue their photosynthesis by means of the wavelength effect of blue light and thus preserve their vitamin content.

For HarvestFresh,

Fruits and vegetables stored in crispers illuminated with the HarvestFresh technology preserve their vitamins for a longer time thanks to the blue, green, red lights and dark cycles, which simulate a day cycle. If you open the door of the refrigerator during the dark period of the HarvestFresh technology, the refrigerator will automatically detect this and enable the blue-green or red light to illuminate the crisper for your convenience. After you have closed the door of the refrigerator, the dark period will continue, representing the night time in a day cycle.

5.27. The dairy (cold storage) bin

Provides lower temperature within the refrigerator compartment. Use this bin to store delicatessen (salami, sausages, dairy products and etc.) that requires lower storage temperature or meat, chicken or fish products for immediate consumption. Do not store fruits and vegetables inside this bin.

Service life of the product will extend and frequently encountered problems will decrease if the product is cleaned periodically.



WARNING: Switch off the product before cleaning.



WARNING: It is recommended to clean the condenser every six months using gloves. You must not use vacuum cleaners.

- Never use gasoline, benzene or similar substances for cleaning purposes.
- Never use any sharp abrasive instruments, soap, household cleaners, detergent or wax polish for cleaning.
- Dissolve one teaspoon of carbonate in half liter of water. Soak a cloth in the solution and wring it thoroughly. Wipe the interior of the refrigerator with this cloth and the dry thoroughly.
- Make sure that no water enters the lamp housing or other electrical parts.
- If you will not use the refrigerator for a long time, unplug it, remove all food inside, clean it and leave the door ajar.
- Check regularly that the door gaskets are clean. If not, clean them.
- Take out all items in the product to remove the door and body shelves.
- Remove the door shelves by pulling them up. Slide the shelves downwards to re-install them after cleaning.
- Never use chloric cleaning agents or water to clean outer surfaces or chrome-coated parts of the product. Chlorine causes abrasion on such metal surfaces.
- For non-No Frost products, water drops and frosting up to a fingerbreadth occur on the rear wall of the Fridge compartment. Do not clean it; never apply oil or similar agents on it.
- Only use slightly damp microfiber cloths to clean the outer surface of the product. Sponges and other types of cleaning cloths may scratch the surface.

6.1. Avoiding Bad Odours

Materials that may cause odour are not used in the production of our refrigerators. However, odour may be emitted if foods are stored improperly or if the inner surface of the product is not cleaned as required. Please consider the following to avoid this problem:

- It is important that the refrigerator is kept clean. Food residuals, stains, etc. can cause odour. For this reason, clean your refrigerator with carbonate solved in water every 15 days. Never use detergents or soap.
- Keep your foods in closed vessels. Microorganisms emitted from vessels without a cover may cause unpleasant odours.
- Never keep expired or spoiled foods in your refrigerator.

6.2. Protection of plastic surfaces

Do not put liquid oils or oil-cooked meals in your refrigerator in unsealed containers as they damage the plastic surfaces of your refrigerator. If oil is spilled or smeared onto the plastic surfaces, clean and rinse the relevant part of the surface with warm water immediately.

6.3. Cleaning the Inner Surface

To clean the inner surfaces and all removable parts, wash them with a mild solution comprising soap, water and carbonate. Rinse and dry thoroughly. Prevent the water from contacting the lighting means and control panel.



ATTENTION:

Do not use vinegar, rubbing alcohol or other alcohol-based cleaning agents on any of the inner surfaces.

6.4. Stainless Steel Outer Surfaces

Use a stainless steel cleaning agent that is non-abrasive and apply it with a lint-free, soft cloth. For polishing, wipe the surface softly with a damp microfiber cloth and use dry wash-leather. Always follow the strands of the stainless steel.

6.5. Cleaning Products with Glass Doors

Remove the protection foil on the glass.

There is a coating on the surface of the glass. This coating minimises stain formation and ensures that stains and dirt are cleaned easily. Glasses that are not protected by a coating might be exposed to permanent bonding of organic or inorganic, air or waterborne pollutants such as limescale, mineral salts, unburned hydrocarbons, metal oxides and silicones, which lead to stains and physical damage in a short time. Despite regular washing, the glass becomes very hard to keep clean, though not impossible. As a result, the clarity and good appearance of the glass reduces. Hard and abrasive cleaning compounds and methods increase these defects even further and accelerate the deterioration process.

*Non-alkali, non-abrasive and water-based cleaning products must be used for routine cleaning procedures. For the coating to have long service life, alkali or abrasive substances must not be used during cleaning processes.

These glasses were subject to a tempering process to increase their impact and breakage resistance. As an additional safety measure, there is a safety film on the back surfaces of the glasses to ensure that they will not harm the environment in case of breakage.

Please review this list before calling the service. This will save you time and money. This list contains frequently encountered problems that are not results of faulty workmanship or material use. Your product may not have some of the features described here.

The refrigerator is not operating.

- It may not be plugged in properly. >>>Plug in the product properly.
- The fuse of the socket to which your refrigerator is connected or the main fuse may have blown. >>>Check the fuse.

Condensation on the side wall of the fridge compartment (MULTI ZONE, COOL CONTROL and FLEXI ZONE).

- The door may have been opened/closed frequently. >>>Do not open/close the refrigerator door frequently.
- The environment may be too humid. >>>Do not install the refrigerator at locations with a very high level of humidity.
- Foods containing liquid may have been placed into the refrigerator in vessels without covers. >>>Do not place foods containing liquid into the refrigerator in unsealed vessels.
- Door of the refrigerator may have been left ajar. >>>Do not keep the doors of your refrigerator open for a long time.
- The thermostat may have been set to a very cold level. >>>Set the thermostat to an appropriate level.

The compressor is not operating.

- Protective thermal of the compressor will blow out during sudden power failures or plug-out plug-ins as the refrigerant pressure in the cooling system of the refrigerator has not been balanced yet. The refrigerator will start running approximately after 6 minutes. Please call the Authorised Service Provider if the refrigerator does not start at the end of this period.
- The freezer is in defrosting cycle. >>>This is normal for a refrigerator that performs full-automatic defrosting. Defrosting cycle is performed periodically.
- The refrigerator may not be plugged in. >>>Make sure that the plug fits the socket.
- Temperature settings may be incorrect. >>>Select the correct temperature value.
- Possible power failure. >>>The refrigerator will start to operate normally when power restores.

The operation noise increases when the refrigerator is running.

- Operating performance of the refrigerator may vary based on the ambient temperature changes. This is normal and not a fault.

The fridge is running frequently or for a long time.

- Your new product may be bigger than the previous one. Larger refrigerators operate for a longer period of time.
- The room temperature may be high. >>> It is normal that the product operates for longer periods in hot environments.
- The refrigerator may have just been plugged in or loaded with food. >>>It takes the product longer to reach the set temperature when it has just been plugged in or loaded with food. This is normal.
- Large amounts of hot food may have been placed into the refrigerator recently. >>>Do not place hot foods into the refrigerator.
- The doors may have been opened frequently or left ajar for a long time. >>>The warm air that enters the refrigerator causes it to operate for a longer period of time. Do not open the doors frequently.
- Freezer or fridge compartment door may have been left ajar. >>> Check if the doors are closed completely.
- The appliance may be set to a very low temperature. >>> Set the refrigerator temperature to a warmer degree and wait until the product reaches this temperature.
- Door seal of the fridge or freezer compartment may be soiled, worn out, broken or not properly seated. >>> Clean or replace the seal. Damaged/broken seal causes the refrigerator to run for a longer period of time to maintain the current temperature.

Fridge temperature is adequate but the freezer temperature is very low.

- The freezer compartment temperature may be set to a very low value. >>> Set the freezer compartment temperature to a higher value and check.

Freezer temperature is adequate but the fridge temperature is very low.

- The fridge temperature is adjusted to a very low value. >>> Adjust the fridge temperature to a higher value and check.

Troubleshooting

Food kept in the fridge compartment drawers is frozen.

- The fridge compartment temperature may be set to a very high value. >>> Set the fridge compartment temperature to a lower value and check.

Temperature in the fridge or freezer is very high.

- The fridge compartment temperature may be set to a very high value. >>> Fridge compartment temperature setting has an effect on the temperature of the freezer. Change the temperature of the fridge or freezer compartment until the fridge or freezer compartment temperature reaches an adequate level.
- The doors may have been opened frequently or left ajar for a long time. >>>Do not open the doors frequently.
- The door may have been left ajar. >>>Close the door completely.
- The refrigerator may have been just plugged in or loaded with food. >>>This is normal. It takes the product longer to reach the set temperature when it has just been plugged in or loaded with food.
- Large amounts of hot food may have been placed into the refrigerator recently. >>>Do not place hot foods into the refrigerator.

Vibration or noise.

- The floor may not be stable or level. >>>If the refrigerator shakes when moved slightly, adjust the feet to balance it. Make sure that the floor is level and capable of carrying the refrigerator.
- Objects placed onto the refrigerator may cause noise. >>>Remove the objects on the refrigerator.

There are noises coming from the refrigerator like liquid spilling or spraying.

- Liquid and gas flows occur in accordance with the operating principles of the refrigerator. >>>This is normal and not a fault.

Whistle is heard from the refrigerator.

- There are fans that are used to cool the refrigerator. This is normal and not a fault.

Damp accumulates on the inner walls of refrigerator.

- Hot and humid weather increases icing and condensation. This is normal and not a fault.
- The doors may have been opened frequently or left ajar for a long time. >>>Do not open the doors frequently. Close the doors, if open.
- The door may have been left ajar. >>>Close the door completely.

Humidity occurs on the outer surface of the refrigerator or between the doors.

- Air might be humid. This is quite normal in humid weathers. >>>Condensation will disappear when the humidity level decreases.
- There might be external condensation at the section between two doors of the refrigerator if you use your product rarely. This is normal. Condensation will disappear upon frequent use.

There is a bad odour inside the refrigerator.

- No regular cleaning may have been performed. Clean the inside of the refrigerator with a sponge, lukewarm water or carbonated water.
- Some vessels or packaging materials may cause the odour. >>>Use another vessel, or packaging materials from another brand.
- Foods may have been placed into the refrigerator in vessels without covers. >>>Store the foods in closed vessels. Microorganisms emitted from vessels without a cover may cause unpleasant odours.
- Take out expired or spoiled foods from the refrigerator.

The door cannot be closed.

- Food packages may be preventing the door from closing. >>> Re-locate the packages that are obstructing the door.
- The refrigerator may be unstable on the floor. >>>Adjust the refrigerator feet as required to keep the refrigerator in balance.
- The floor may not be level or solid. >>>Make sure that the floor is level and capable of carrying the refrigerator.

Crispers are stuck.

- Foods may be touching the upper wall of the crisper. >>>Re-organise the foods in the crisper.

If The Surface Of The Product Is Hot.

High temperatures may be observed between the two doors, on the side panels and at the rear grill while the product is operating. This is normal and does not require service maintenance!

Fan keeps running when the door is open.

The fan may keep running when the door of the freezer is open.



WARNING: If you cannot eliminate the problem although you follow the instructions in this section, consult your dealer or the Authorised Service Provider. Never attempt to repair a malfunctioned product.

DISCLAIMER / WARNING

Some (simple) failures can be adequately handled by the end-user without any safety issue or unsafe use arising, provided that they are carried out within the limits and in accordance with the following instructions (see the “Self-Repair” section).

Therefore, unless otherwise authorized in the “Self-Repair” section below, repairs shall be addressed to registered professional repairers in order to avoid safety issues. A registered professional repairer is a professional repairer that has been granted access to the instructions and spare parts list of this product by the manufacturer according to the methods described in legislative acts pursuant to Directive 2009/125/EC.

However, only the service agent (i.e. authorized professional repairers) that you can reach through the phone number given in the user manual/warranty card or through your authorized dealer may provide service under the guarantee terms. Therefore, please be advised that repairs by professional repairers (who are not authorized by Beko) shall void the guarantee.

Self-Repair

Self-repair can be done by the end-user with regard to the following spare parts: door handles, door hinges, trays, baskets and door gaskets (an updated list is also available in support.beko.com as of 1st March 2021).

Moreover, to ensure product safety and to prevent risk of serious injury, the mentioned self-repair shall be done following the instructions in the user manual for self-repair or which are available in support.beko.com. For your safety, unplug the product before attempting any self-repair.

Repair and repair attempts by end-users for parts not included in such list and/or not following the instructions in the user manuals for self-repair or which are available in support.beko.com, might give rise to safety issues not attributable to Beko, and will void the warranty of the product.

Therefore, it is highly recommended that end-users refrain from the attempt to carry out repairs falling outside the mentioned list of spare parts, contacting in such cases authorized professional repairers or registered professional repairers. On the contrary, such attempts by end-users may cause safety issues and damage the product and subsequently cause fire, flood, electrocution and serious personal injury to occur.

By way of example, but not limited to, the following repairs must be addressed to authorized professional repairers or registered professional repairers: compressor, cooling circuit, main board, inverter board, display board, etc.

The manufacturer/seller cannot be held liable in any case where end-users do not comply with the above.

The spare part availability of the refrigerator that you purchased is 10 years.

During this period, original spare parts will be available to operate the refrigerator properly. The minimum duration of guarantee of the refrigerator that you purchased is 24 months.

Veillez d'abord lire ce manuel d'utilisation !

Chère cliente, cher client,

Nous aimerions que vous soyez entièrement satisfait de notre appareil, fabriqué dans des infrastructures modernes et ayant fait l'objet d'un contrôle de qualité minutieux.

À cet effet, veuillez lire en intégralité le manuel d'utilisation avant d'utiliser cet appareil, et conservez-le pour références ultérieures. Si vous offrez cet appareil à une autre personne, remettez-lui également le manuel d'utilisation.

Le manuel d'utilisation garantit l'utilisation rapide et sécurisée du réfrigérateur.

- Veuillez lire le manuel d'utilisation avant d'installer et d'utiliser le réfrigérateur,
- Respectez toujours les instructions de sécurité en vigueur,
- Tenez le manuel d'utilisation à portée pour références ultérieures,
- Veuillez lire tous les autres documents fournis avec l'appareil,






Veillez noter que ce manuel d'utilisation peut se rapporter à plusieurs modèles de cet appareil. Le manuel indique clairement toutes les différences entre les modèles.

Symboles et commentaires

Les symboles suivants sont utilisés dans le manuel d'utilisation :

	Informations importantes et renseignements utiles,
	Avertissement relatif aux conditions dangereuses pour la vie et la propriété,
	Risque d'électrocution,
	L'emballage de l'appareil a été fabriqué à partir de matériaux recyclables, conformément à la législation nationale en matière d'environnement,

INFORMATIONS

	ENERG 	
<small>SUPPLIER'S NAME</small>	<small>MODEL IDENTIFIER</small> → (*)	
		

Vous pouvez accéder aux informations relatives au modèle telles que sauvegardées dans la base de données des produits en entrant le site internet suivant et en recherchant l'identifiant de votre modèle (*) qui se trouve sur la vignette énergie

<https://eprel.ec.europa.eu/>

1 Consignes importantes relatives à la sécurité et à l'environnement 4

- 1.1. Sécurité générale 4
- 1.1.1 Mise en garde concernant les hydrocarbures6
- 1.1.2 Pour les appareils avec distributeur d'eau/machine à glaçons. 7
- 1.2. Utilisation préconisée. 7
- 1.3. Sécurité des enfants 7
- 1.4. Conformité avec la directive DEEE et mise au rebut de l'appareil usagé : 8
- 1.5. Conformité avec la directive LdSD : 8
- 1.6. Informations relatives à l'emballage. 8

2 Votre réfrigérateur 10

3 Installation 11

- 3.1. Lieu idéal d'installation 11
- 3.2. Fixation des cales en plastique. 11
- 3.3. Réglage des pieds. 11
- 3.4. Branchement électrique 12

4 Préparation 13

- 4.1. Moyens d'économiser l'énergie 13
- 4.2. Première utilisation 13

5 Utilisation de l'appareil 15

- 5.1. Ecran de contrôle 15
- 5.3. Support d'œufs. 18
- 5.2. Seau à glace. 18
- 5.6. Compartiment zéro degré 18
- 5.5. Bac à légumes. 18
- 5.4. Ventilateur 18
- 5.7. Utilisation du deuxième bac à légumes de l'appareil; 19
- 5.8. Balconnet de porte amovible 20
- 5.9. Boîte de stockage coulissante 20
- 5.10. Bac à légumes à humidité contrôlée 21
- 5.11. Module de désodorisation 21
- 5.12. Machine à glace automatique 22
- 5.13. Distributeur et récipient de conservation de glaçons 23

- (dans certains modèles) 23
- 5.14. Distributeur d'eau 24
- 5.15. Utilisation du distributeur 24
- 5.16. Nettoyer le réservoir d'eau 25
- 5.17. Bac à eau 26
- 5.18. Congélation des produits frais. 27
- 5.19. Recommandations relatives à la conservation des aliments congelés 27
- 5.20. Informations relatives au congélateur . . . 28
- 5.21. Disposition des denrées 28
- 5.22. Alerte ouverture de porte 28
- 5.23. Inversion de la direction d'ouverture de la porte 28
- 5.24. Éclairage interne 28
- 5.25. Lumière bleue/HarvestFresh. 29
- 5.26 Le compartiment des produits laitiers (entrepôt frigorifique) 29

6 Entretien et nettoyage 30

- 6.1. Prévention des mauvaises odeurs 30
- 6.2. Protection des surfaces en plastique. . . . 31
- 6.3. Nettoyage de la surface intérieure 31
- 6.4. Surfaces extérieures en acier inoxydable . 31
- 6.5. Nettoyage d'appareils avec portes en verre 31






6 Entretien et nettoyage 31

7 Dépannage 32

1 Consignes importantes relatives à la sécurité et à l'environnement

Cette section comporte des informations de sécurité qui vous aideront à éviter les risques de blessures ou de dommages matériels. Le non-respect de ces instructions entraîne l'annulation de la garantie des appareils.

Utilisation Préconisée

	AVERTISSEMENT: Assurez-vous que les trous d'aération ne sont pas fermés quand le dispositif est dans son boîtier ou est installé à sa place.
	AVERTISSEMENT: Ne pas utiliser tout dispositif mécanique ou un autre dispositif hors des recommandations du fabricant pour accélérer le processus de décongeler.
	AVERTISSEMENT: Ne pas endommager le circuit de fluide du réfrigérateur.
	AVERTISSEMENT: Ne pas utiliser des appareils électriques non prévus par le fabricant dans les compartiments de conservation des aliments.
	AVERTISSEMENT: Ne conservez pas de substances explosives comme des aérosols avec un liquide inflammable dans cet appareil.

Ce dispositif est conçu pour l'usage domestique ou les applications similaires suivantes :

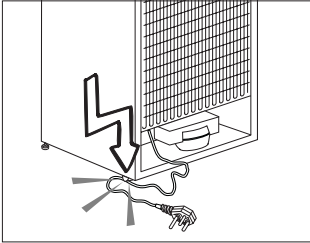
- Pour être utilisé dans la cuisine de personnel dans les magasins, bureaux et autres environnements de travail ;
- Pour être utilisé par les clients dans les maisons de campagne et hôtels et les autres environnements d'hébergement ;
- Dans des environnements de type de pension de famille
- Dans des applications similaires n'ayant pas de service alimentaire et non détaillants

1.1. Sécurité générale

- Les personnes présentant un handicap physique, sensoriel ou mental ou encore celles manquant d'expérience ou de connaissances appropriées, ou les enfants doivent éviter d'utiliser, de se rapprocher, de jouer ou de rentrer à l'intérieur de ce produit.
- L'utilisation non contrôlée et le non-respect des consignes énoncées ci-dessus constituent un réel danger !
- Débranchez l'appareil si une panne survient alors qu'il est en cours d'utilisation.
- En cas de dysfonctionnement, n'utilisez pas l'appareil jusqu'à ce qu'il soit réparé par un agent de service agréé. Risque de choc électrique !
- Branchez l'appareil à une prise mise à la terre, protégée par un fusible conforme aux valeurs figurant sur la plaque signalétique. Faites appel à un électricien qualifié pour la mise à la terre de l'appareil. Notre société ne peut pas être tenue pour responsable des dommages résultant de la non utilisation du produit avec une prise mise à la terre conformément aux réglementations locales.
- Débranchez l'appareil lorsque vous ne l'utilisez pas.

Instructions en matière de sécurité et d'environnement

- N'aspergez pas l'appareil et n'y versez pas de l'eau lorsque vous le lavez! Risque de choc électrique !
- Ne touchez jamais la prise avec des mains mouillées !
- Ne débranchez jamais l'appareil en tirant sur le câble. Débranchez-le toujours en le tenant par la fiche.



- Évitez de brancher le réfrigérateur lorsque la prise de courant est mal fixée.
- Ne branchez jamais votre réfrigérateur à des systèmes d'économies d'énergie. Ces systèmes présentent des risques pour votre appareil.
- Débranchez l'appareil pendant les procédures d'installation, d'entretien, du nettoyage et de réparation.
- Contactez toujours un **Agent de service agréé** pour l'installation de l'appareil et la réalisation des branchements électriques. Le fabricant décline toute responsabilité pour les dommages causés par la réalisation de ces procédures par des personnes non autorisées.
- Ne mangez pas de cônes de crème glacée ou des glaçons immédiatement après les avoir sortis du compartiment de congélation ! Cela pourrait provoquer des engelures dans votre bouche !

- Ne touchez pas les aliments congelés avec les mains mouillées ! Ils peuvent coller à vos mains !
- Ne posez pas de boissons en bouteilles ou en cannettes dans le congélateur. Elles risquent d'exploser !
- N'utilisez jamais de vapeur ni de matériel de nettoyage à vapeur pour nettoyer ou décongeler le réfrigérateur. Tout contact entre la vapeur et les éléments sous tension de votre réfrigérateur peut entraîner un court-circuit ou un choc électrique !
- Pour accélérer le processus de décongélation, n'utilisez pas d'outils mécaniques ou de dispositifs autres que ceux recommandés par le fabricant.
- N'utilisez jamais les pièces de votre réfrigérateur telles que la porte et le tiroir, comme un support ou une marche. Une telle utilisation de l'appareil peut l'emmener à balancer ou endommager ses parties.
- Évitez d'endommager les pièces où circule le liquide réfrigérant avec des outils de perforation ou de coupe. Le liquide réfrigérant qui pourrait s'échapper si les canalisations de gaz de l'évaporateur, les rallonges de tuyau ou les revêtements de surface étaient percés, peut irriter la peau et provoquer des blessures aux yeux.
- Ne laissez aucun objet couvrir ou obstruer les orifices de ventilation du réfrigérateur.
- Placez les boissons alcoolisées verticalement, dans des récipients convenablement fermés.

Instructions en matière de sécurité et d'environnement

- N'utilisez pas de pulvérisateur à gaz à proximité de l'appareil car cela pourrait causer un incendie ou une explosion !
- Les articles inflammables ou les produits contenant des gaz inflammables (par ex. : aérosols) ainsi que les matériaux explosifs ne doivent jamais être conservés dans l'appareil.
- Ne placez pas de récipient contenant de liquides au-dessus de l'appareil. Les projections d'eau sur les pièces électriques peuvent causer un choc électrique ou un risque d'incendie.
- Évitez de ranger les éléments qui nécessitent un réglage précis de la température (tels que les vaccins, les médicaments sensibles à la chaleur, les outils scientifiques, etc.) dans le réfrigérateur.
- Si vous n'allez pas utiliser l'appareil pendant une longue période, débranchez-le et retirez tous les aliments l'intérieur.
- Si le réfrigérateur émet une lumière bleue, ne la regardez pas en utilisant des outils optiques.
- L'exposition du produit à la pluie, la neige, le soleil ou le vent présente des risques en matière de sécurité électrique.
- Avec des appareils équipés de commandes mécaniques (thermostat), patientez 5 minutes avant de rebrancher l'appareil après l'avoir débranché.
- Ne surchargez pas le réfrigérateur. Les objets dans le réfrigérateur peuvent tomber lorsque vous ouvrez la porte, causant des blessures et des dommages. Des problèmes similaires peuvent survenir si vous placez des objets au-dessus de l'appareil.
- Si l'appareil possède une poignée de porte, ne tirez pas dessus pour déplacer l'appareil. La poignée peut se desserrer.
- Soyez prudent pour ne pas coincer vos doigts ou toute autre partie de votre corps dans les pièces mobiles du réfrigérateur.
- Ne placez pas vos doigts ou tout autre corps étranger dans la machine à glace lorsqu'elle est en marche.

1.1.1 Mise en garde concernant les hydrocarbures

- Si le système de refroidissement de votre appareil contient du R600a : Ce gaz est inflammable. Par conséquent, veillez à ne pas endommager le système de refroidissement ou la tuyauterie pendant l'utilisation et le transport. En cas de dommage, tenez l'appareil à l'écart de potentielles sources de feu, susceptibles de l'enflammer et aérez la pièce dans laquelle est installé l'appareil.



Si l'appareil est endommagé et vous voyez une fuite de gaz, tenez-vous à l'écart du gaz. Au contact de la peau, il peut entraîner des engelures. (notamment le R134)

Instructions en matière de sécurité et d'environnement

	Ignorez cet avertissement si le système de refroidissement de votre appareil contient du R134a.
	Le type de gaz utilisé dans l'appareil est mentionné sur la plaque signalétique située sur la paroi gauche à l'intérieur du réfrigérateur.
	AVERTISSEMENT : Ne jetez jamais l'appareil dans du feu pour sa mise au rebut.

1.1.2 Pour les appareils avec distributeur d'eau/machine à glaçons

- La pression de l'eau froide à l'entrée ne doit pas excéder 90 psi (620 kPa). Si votre pression d'eau dépasse 80 psi (550 kPa), utilisez une soupape de limitation de pression sur votre réseau de conduite. Si vous ne savez pas comment vérifiez la pression de l'eau, demandez l'assistance d'un plombier professionnel.
- En cas de risque d'impact causé par d'eau dans votre installation, utilisez toujours un dispositif de protection anti coup de bélier. Contactez un plombier professionnel si vous n'êtes pas certain(e) que votre installation présente un risque d'effet coup de bélier.
- Ne procédez pas à l'installation de l'arrivée d'eau chaude.
- Prenez les mesures nécessaires contre le risque de gel des tuyaux.
- Utilisez uniquement de l'eau potable.

- La plage de température de fonctionnement est de 0.6 °C (33 °F) au minimum et 38 °C (100 °F) au maximum.

	AVERTISSEMENT : Ne branchez jamais l'appareil à un réseau d'eau froide, lorsque la pression est supérieure ou égale à 550kPa (80 psi).
---	--

1.2. Utilisation préconisée

- Cet appareil est destiné à un usage ménager. Il n'est pas indiqué pour une utilisation à des fins commerciales et ne doit pas être utilisé à des fins autres que celles prévues.
- Il ne doit être utilisé que pour conserver des aliments.
- Le fabricant n'assume aucune responsabilité pour les dommages résultant de l'utilisation et du transport inappropriés.
- Les pièces de rechange d'origine seront disponibles jusqu'à 10 ans après la date d'achat de l'appareil.

1.3. Sécurité des enfants

- En cas de verrou sur la porte de l'appareil, gardez la clé hors de la portée des enfants.
- Ne laissez pas les enfants jouer avec l'appareil.

Instructions en matière de sécurité et d'environnement



DANGER :

Avant de mettre au rebut votre ancien réfrigérateur ou congélateur :

- Les enfants peuvent s'y enfermer.
- Retirez les portes.
- Laissez les étagères pour éviter que les enfants accèdent facilement à l'intérieur de l'appareil.

1.4. Conformité avec la directive DEEE et mise au rebut de l'appareil usagé :



Ce produit est conforme à la directive européenne concernant les appareils électriques et électroniques (2012/19 UE). Il porte un symbole de classification pour la mise au rebut des équipements électriques et

électroniques (DEEE). Cet appareil a été fabriqué avec des pièces et du matériel de qualité supérieure susceptibles d'être réutilisés et adaptés au recyclage. Par conséquent, évitez de mettre l'appareil au rebut aux côtés des ordures ménagères à la fin de sa durée de vie. Transportez-le vers un point de collecte destiné au recyclage des équipements électriques et électroniques. Consultez les autorités de votre localité pour plus d'informations sur ces points de collecte.

1.5. Conformité avec la directive LdSD :

L'appareil que vous avez acheté est conforme à la Directive LdSD de L'Union européenne (2011/65/UE). Il ne comporte pas les matières dangereuses et interdites mentionnées dans la Directive.

1.6. Informations relatives à l'emballage

- Les matériaux d'emballage de cet appareil sont fabriqués à partir de matériaux recyclables, conformément à notre réglementation nationale en matière d'environnement. Ne jetez pas les matériaux d'emballage avec les ordures ménagères normales ou d'autres types de déchets. Transportez ces matériaux vers un point de collecte prévu par les autorités locales.

Instructions en matière de sécurité et d'environnement

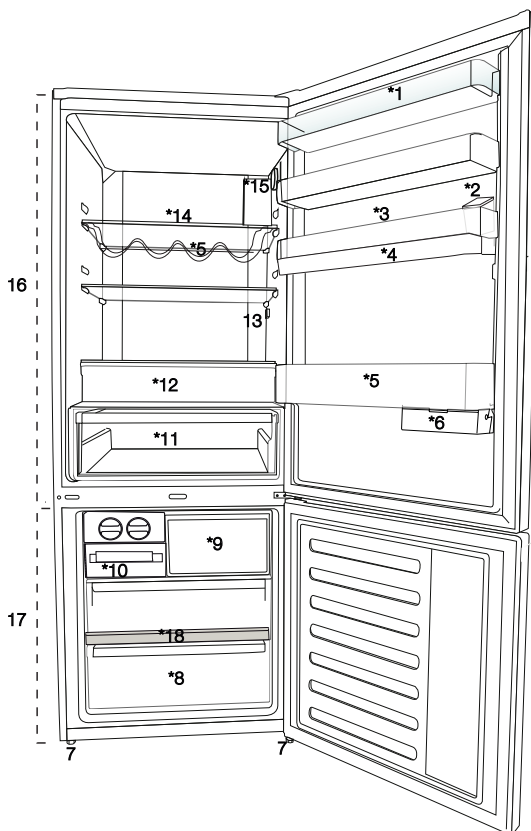


DANGER :

Risque d'incendie ou d'explosion :

- Cet appareil utilise un réfrigérant inflammable.
- N'utilisez pas d'objets mécaniques pour dégivrer le réfrigérateur.
- N'utilisez pas de produits chimiques pour le nettoyage.
- Évitez de percer le conduit du réfrigérant.
- Si le conduit du réfrigérant est percé, faites-le uniquement réparer par un agent de service agréé.
- Veuillez consulter le Manuel d'utilisation/de réparation avant de nettoyer l'appareil. Veuillez respecter toutes les précautions de sécurité.
- Éliminez votre appareil dans le respect de la réglementation fédérale ou locale.

2 Votre réfrigérateur



1. Balconnet de la porte du compartiment réfrigérateur
2. Opercule du réservoir d'eau
3. Réservoir du distributeur d'eau
4. Bac à Oeufs
5. Clayette range-bouteilles
6. Boîte de stockage coulissante
7. Pieds réglables
8. Compartiment congélation rapide
9. Compartiment de congélation rapide
10. Bac à glaçons et banque de glace
11. Bac à légumes
12. Le compartiment des produits laitiers (entrepôt frigorifique)
13. Éclairage intérieur
14. Balconnet de la vitre du compartiment réfrigérateur
15. Bouton de réglage de température
16. Compartiment réfrigérateur
17. Compartiment congélateur



***En option :** Les images présentées dans ce manuel sont fournies à titre indicatif et elles peuvent ne pas correspondre exactement à votre appareil. Si votre appareil ne dispose pas des parties citées, alors l'information s'applique à d'autres modèles.

3 Installation

3.1. Lieu idéal d'installation

Contactez le service agréé pour l'installation de votre réfrigérateur. Pour préparer l'installation du réfrigérateur, lisez attentivement les instructions du manuel d'utilisation et assurez-vous que les équipements électriques et d'approvisionnement d'eau sont installés convenablement. Si non, contactez un électricien et un plombier pour effectuer les réparations nécessaires.



AVERTISSEMENT : Le fabricant ne sera pas tenu responsable en cas de problèmes causés par des travaux effectués par des personnes non autorisées.



AVERTISSEMENT : Débranchez le câble d'alimentation du réfrigérateur pendant l'installation. Le non-respect de cette consigne peut entraîner la mort ou des blessures graves !



AVERTISSEMENT : Si le cadre de la porte est trop étroit pour laisser passer l'appareil, retirez la porte et faites passer l'appareil sur les côtés ; si cela ne fonctionne pas, contactez le service agréé.

- Placez l'appareil sur une surface plane pour éviter les vibrations.
- Placez le produit à 30 cm du chauffage, de la cuisinière et des autres sources de chaleur similaires et à au moins 5 cm des fours électriques.
- N'exposez pas le produit directement à lumière du soleil et ne le laissez pas dans des environnements humides.
- Le bon fonctionnement de votre réfrigérateur nécessite la bonne circulation de l'air.
- Si le réfrigérateur est placé dans un encastrement mural, assurez-vous de laisser un espace d'au moins 5 cm avec le plafond et le mur.
- Ne placez pas le réfrigérateur dans des environnements avec des températures inférieures à -5 °C.

- Votre produit nécessite une circulation d'air adéquate pour pouvoir fonctionner efficacement. S'il est placé dans une alcôve, n'oubliez pas de laisser un espace d'au moins 5 cm entre l'appareil, le plafond, la paroi arrière et les parois latérales.
- S'il est placé dans une alcôve, n'oubliez pas de laisser un espace d'au moins 5 cm entre l'appareil, le plafond, la paroi arrière et les parois latérales. Vérifiez que l'élément de protection d'espace de la façade arrière est présent à son emplacement (au cas où il est fourni avec l'appareil). Si l'élément n'est pas disponible, perdu ou tombé, positionnez l'appareil de manière à laisser un espace d'au moins 5 cm entre la surface arrière de l'appareil et les murs de la pièce. L'espace prévu à l'arrière est important pour le fonctionnement efficace de l'appareil.

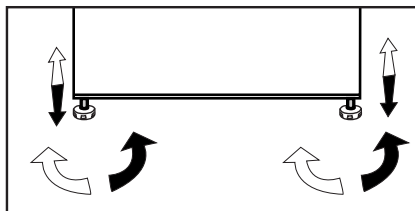
3.2. Fixation des cales en plastique

Utilisez les cales en plastiques fournies avec le réfrigérateur pour créer une circulation d'air suffisante entre le réfrigérateur et le mur.

1. Pour fixer les cales, retirez les vis du réfrigérateur et utilisez celles fournies avec les cales,
2. Fixez 2 cales en plastique sur le couvercle de ventilation tel qu'illustré par l'image.

3.3. Réglage des pieds

Si le réfrigérateur n'est pas équilibré, réglez les pieds avant en les tournant vers la gauche ou la droite.



Installation

3.4. Branchement électrique

	AVERTISSEMENT : Ne branchez pas le réfrigérateur sur une rallonge ou une multiprise.
	AVERTISSEMENT : Les câbles d'alimentation endommagés doivent être remplacés par le service agréé.
	Lorsque deux réfrigérateurs sont installés côte à côte, ils doivent être séparés par au moins 4 cm.

- Notre entreprise ne sera pas tenue responsable de tout dommage résultant de l'utilisation de l'appareil sans prise de mise à la terre ou branchement électrique conforme à la norme nationale en vigueur.
- Gardez la fiche du câble d'alimentation à portée de main après l'installation.
- N'utilisez pas de fiches multiples avec ou sans câble d'extension entre la prise murale et le réfrigérateur.

	AVERTISSEMENT : Relatif à la surface chaude Les parois latérales de votre appareil sont équipées de conduits frigorifiques visant à améliorer le système de refroidissement. Le réfrigérant porté à des températures élevées peut jaillir à travers ces zones, entraînant ainsi le réchauffement des parois latérales. Ce phénomène est normal et ne nécessite aucun entretien. Soyez prudent au moment de toucher à ces zones.
--	---

4.1. Moyens d'économiser l'énergie

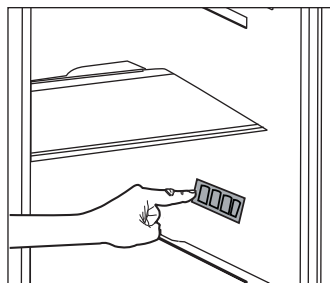


Il est dangereux de connecter l'appareil aux systèmes électroniques d'économie d'énergie, ils pourraient l'endommager.

- Pour un appareil amovible, 'cet appareil de réfrigération n'est pas conçu pour être utilisé comme un appareil à encastrer'.
- Ne laissez pas la porte du réfrigérateur ouverte longtemps.
- Ne conservez pas des aliments ou des boissons chauds dans le réfrigérateur.
- Ne surchargez pas le réfrigérateur, l'obstruction du flux d'air interne réduira la capacité de réfrigération.
- Pour stocker une quantité maximale d'aliments dans le compartiment réfrigérateur, retirez les tiroirs supérieurs et placez-les sur l'étagère pour verres. La consommation énergétique définie de votre réfrigérateur est déterminée lorsque vous retirez le refroidisseur, le bac à glaçons et les tiroirs supérieurs d'une manière qui permettra un chargement maximal. Il est fortement recommandé d'utiliser le tiroir inférieur lors du chargement. Activez la fonction Économie d'énergie pour une meilleure consommation énergétique.
- Évitez de bloquer le flux d'air en plaçant les aliments devant le ventilateur du refroidisseur. Laissez un espace de 3 cm devant la grille de protection du ventilateur lors du chargement des aliments.
- Selon les caractéristiques de l'appareil, le dégivrage des aliments congelés dans le compartiment réfrigérateur assurera l'économie d'énergie et la préservation de la qualité des aliments.
- Placez les aliments dans les étagères à l'intérieur du compartiment réfrigérateur afin de réaliser des économies d'énergie et de conserver les aliments dans un meilleur environnement.
- Veillez à ce que les emballages d'aliments ne soient pas en contact direct avec le capteur de chaleur situé dans le compartiment

réfrigérateur. Dans le cas contraire, la consommation énergétique de votre appareil pourrait augmenter.

- Veuillez-vous assurer que les aliments ne sont pas en contact direct avec le capteur de température du compartiment réfrigérateur décrit ci-après.
- En cas d'options multiples, les étagères en verre doivent être placées de manière à ce que les sorties d'air au niveau de la paroi arrière ne soient pas bloquées, de préférence les sorties d'air restent sous l'étagère en verre. Cette combinaison peut contribuer à améliorer la distribution de l'air et l'efficacité énergétique.



4.2. Première utilisation

Avant d'utiliser votre réfrigérateur, assurez-vous que les installations nécessaires sont conformes aux instructions des sections « Instructions en matière de sécurité et d'environnement » et « Installation ».

- Laissez l'appareil vide en marche pendant 6 heures, et ne l'ouvrez pas sauf en cas de nécessité absolue.



Un son retentit à l'activation du compresseur. Il est également normal d'entendre ce son lorsque le compresseur est inactif, en raison des liquides et des gaz comprimés présents dans le système de réfrigération.



Les bords avant du réfrigérateur peuvent chauffer. Ce phénomène est normal. Ces parties doivent en principe être chaudes afin d'éviter la condensation.

4 Préparation



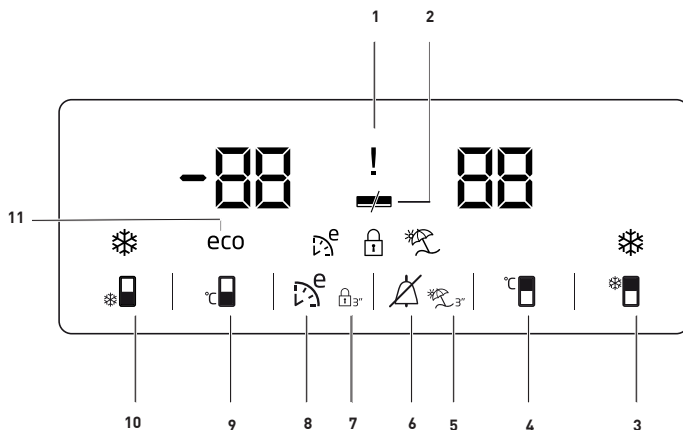
Dans certains modèles, le panneau indicateur se met automatiquement en veilleuse 5 minutes après la fermeture de la porte. Ce panneau s'active à nouveau lorsque la porte est ouverte ou lorsqu'on appuie sur un bouton.

Comme l'air chaud et humide ne pénètre pas directement dans votre produit lorsque les portes ne sont pas ouvertes, votre produit optimisera son fonctionnement en fonction des conditions pour protéger vos aliments. Les fonctions et les composants tels que le compresseur, le ventilateur, le chauffage, le dégivrage, l'éclairage, l'affichage, etc. fonctionneront en fonction des besoins pour consommer un minimum d'énergie dans de telles circonstances

5 Utilisation de l'appareil

5.1. Ecran de contrôle

L'écran de contrôle indicateur vous permet de régler la température et de contrôler les autres fonctions liées au produit sans ouvrir la porte du produit. Appuyez simplement les inscriptions sur le bouton approprié pour régler des fonctions.



1. Panne de courant / Température élevée / Indicateur d'état d'erreur

Cet indicateur (❗) s'allume en cas de panne de courant, de température élevée et d'avertissements d'erreur.

Lorsque la température du compartiment congélateur est portée à un niveau critique pour les aliments congelés, la valeur maximale atteinte par la température du compartiment congélateur clignote sur l'indicateur numérique.

Vérifiez les aliments dans le compartiment du congélateur.

Ce n'est pas un dysfonctionnement.

L'avertissement peut être supprimé en appuyant sur n'importe quel bouton ou sur le bouton d'arrêt de l'alarme de température élevée. (L'annulation par pression sur n'importe quel bouton n'est pas applicable à tous les modèles.)

Cet indicateur (❗) s'est également allumé en cas de défaillance d'un capteur. Lorsque cet indicateur est allumé, «E» et des chiffres tels que «1,2,3...» sont affichés alternativement sur l'indicateur de température. Ces chiffres sur l'indicateur informent le personnel de service de l'erreur.

2. Fonction Économie d'énergie (Arrêt de l'affichage) :

Si les portes de l'appareil restent fermées pendant longtemps, la fonction Économie d'énergie s'active automatiquement et le symbole d'Économie d'énergie s'allume. (🔋)

Si la fonction Économie d'énergie est active, tous les symboles de l'écran hormis celui de l'Économie d'énergie s'éteignent. Lorsque la Fonction Économie d'énergie est active, si vous appuyez sur un bouton quelconque ou ouvrez la porte, cette fonction sera désactivée et les symboles qui se trouvent à l'écran redeviendront normaux.




***en option :** Les chiffres présentés dans ce guide sont à titre indicatif et peuvent ne pas correspondre à votre appareil. Si votre appareil ne dispose pas des parties citées, alors l'information s'applique à d'autres modèles.

5 Utilisation de l'appareil

La fonction Économie d'énergie est activée à la sortie de l'appareil de l'usine et ne peut être annulée.

3. Fonction de réfrigération rapide

Ce bouton est doté de deux fonctions. Appuyez brièvement sur ce bouton pour activer ou désactiver la fonction de refroidissement rapide. L'indicateur de refroidissement rapide s'éteint et l'appareil retourne à son réglage normal. 



Utilisez la fonction de refroidissement rapide lorsque vous souhaitez refroidir rapidement les aliments placés dans le compartiment réfrigérateur. Si vous souhaitez refroidir de grandes quantités d'aliments frais, nous vous recommandons d'activer cette fonction au préalable.



Après 1 heure de temps ou lorsque le compartiment réfrigérateur atteint la température souhaitée, la fonction de refroidissement rapide s'annulera automatiquement si vous ne le faites pas.




Si vous appuyez sur le bouton de refroidissement rapide de façon répétée à des intervalles courts, alors le système de protection du circuit électronique s'activera et le compresseur ne démarrera pas automatiquement.


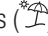


Cette fonction n'est pas reprise lorsque le courant est rétabli après une panne de courant.


4. Bouton de réglage de la température du compartiment réfrigérateur

Appuyez sur ce bouton pour régler la température du compartiment réfrigérateur à 8, 7, 6, 5, 4, 3, 2, 1, 8... respectivement. Appuyez sur ce bouton pour définir la température souhaitée pour le compartiment du réfrigérateur. 



5. Fonction Vacances

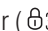
Pour activer la fonction Vacances, appuyez sur ce bouton () pendant 3 secondes. Le voyant du mode Vacances () s'allume. Si la fonction Vacances est activée, " - - " s'affiche sur l'indicateur de température du compartiment réfrigérateur et aucun refroidissement actif n'est sélectionné sur le compartiment réfrigérateur. Il n'est pas adapté de conserver les denrées dans le compartiment réfrigérateur lorsque cette fonction est activée. D'autres compartiments doivent continuer à se refroidir conformément à leur température réglée. Pour annuler cette fonction, appuyez à nouveau sur le bouton de **la fonction Vacances** .

6. Fin de l'Avertissement de Température élevée

En cas de panne de courant ou d'avertissement de température élevée, vous pouvez supprimer l'avertissement () en appuyant sur n'importe quel bouton de l'indicateur ou sur le bouton d'arrêt de l'alarme de température élevée pendant 1 seconde après avoir vérifié les aliments à l'intérieur du compartiment congélateur. Note : L'annulation en appuyant sur un bouton n'est pas applicable à tous les modèles.


7. Verrouillage des commandes,

Appuyez simultanément sur le bouton de verrouillage des commandes () pendant 3 secondes. Symbole de verrouillage des touches () s'allume et le mode verrouillage des commandes est activé. Les boutons ne fonctionneront pas si le mode Verrouillage des commandes est actif. Appuyez simultanément sur le bouton Key lock pendant 3 secondes à nouveau. Lorsque l'icône de verrouillage des commandes s'éteint, le mode Verrouillage des commandes est désactivé.

Appuyez sur le bouton **Verrouillage des commandes** si vous souhaitez éviter toute modification du réglage de la température du réfrigérateur ().

Utilisation de l'appareil

8. Eco fuzzy

Appuyez et maintenez enfoncé le bouton Eco fuzzy pendant 1 seconde pour activer la fonction Eco fuzzy. Le réfrigérateur commence à fonctionner dans le mode le plus économique au moins 6 heures plus tard et le voyant d'utilisation économique s'allume lorsque la fonction est activée. (). Appuyez et maintenez enfoncé le bouton Eco fuzzy pendant 3 secondes pour désactiver la fonction Eco fuzzy.


Ce témoin s'allume après 6 heures lorsque le bouton Eco fuzzy est activé.

9. Bouton de réglage de la température du compartiment de congélation

Appuyez sur ce bouton pour régler la température du compartiment de congélation à -18, -19, -20, -21, -22, -23, -24, -18... respectivement. Appuyez sur ce bouton pour définir la température souhaitée pour le compartiment congélateur. ()

10. Bouton de fonction Congélation rapide /Bouton marche/arrêt du distributeur de glaçons

Appuyez sur ce bouton pour activer ou désactiver la fonction de congélation rapide. Lorsque vous activez la fonction, le compartiment congélateur sera refroidi à une température inférieure à la valeur définie.

() Pour allumer et éteindre le distributeur de glaçons, appuyez et maintenez-le enfoncé pendant 3 secondes.



Utilisez la fonction de congélation rapide lorsque vous souhaitez congeler rapidement les aliments placés dans le compartiment réfrigérateur. Si vous souhaitez congeler de grandes quantités d'aliments, nous vous recommandons d'activer cette fonction au préalable.




Après 24 heures de temps ou lorsque le compartiment réfrigérateur atteint la température souhaitée, la fonction de congélation rapide s'annulera automatiquement si vous ne le faites pas.



Cette fonction n'est pas reprise lorsque le courant est rétabli après une panne de courant.

11. Voyant d'économie d'énergie

Indique que le réfrigérateur fonctionne en mode d'économie d'énergie. () Ce voyant sera activé si la température du compartiment congélateur est réglée sur -18 ou si le refroidissement à économie d'énergie est réalisé suite à l'activation de la fonction Eco Extra.



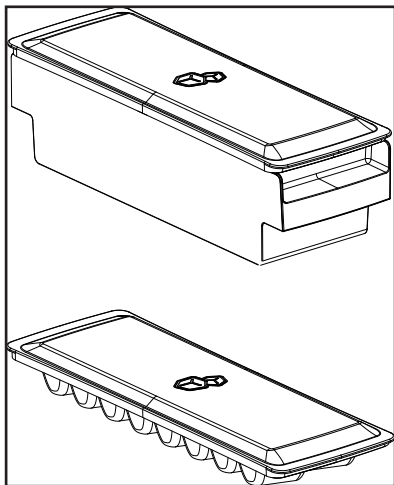
Le voyant d'économie d'énergie s'éteint lorsque la fonction de réfrigération rapide ou de congélation rapide est sélectionnée.

Utilisation de l'appareil

5.2. Seau à glace

(En option)

- Retirez le seau à glace du compartiment congélateur.
- Remplissez-le d'eau.
- Remplacez le seau à glace dans le compartiment congélateur.
- Les glaçons seront prêts après environ deux heures. Retirez le seau à glace du compartiment congélateur et tordez-le légèrement au-dessus du support dans lequel vous souhaitez servir les glaçons. Les glaçons se verseront donc facilement dans le support dans lequel vous souhaitez les servir.



5.3. Support d'œufs

Vous pouvez placer le support d'œufs sur la porte ou l'étagère de votre choix. Si vous décidez de le placer sur l'étagère, il est recommandé de le placer sur les étagères inférieures car elles sont plus froides.



Évitez de placer le support d'œufs dans le compartiment congélateur.

5.6. Compartiment zéro degré

(En option)

Utilisez ce compartiment pour conserver de l'épicerie fine à des températures faibles, ou des produits carnés destinés à une consommation immédiate.

Le compartiment Zéro degré est l'endroit le plus froid où vous pouvez conserver les aliments tels que les produits laitiers, la viande, le poisson et la volaille dans des conditions idéales. Les légumes et/ou fruits ne doivent pas être conservés dans ce compartiment.

5.5. Bac à légumes

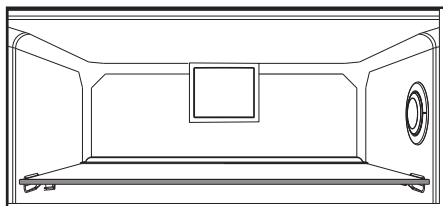
(En option)

Le bac à légumes du réfrigérateur est conçu pour conserver les légumes frais en préservant l'humidité. Pour cela, la circulation de la totalité de l'air froid est intensifiée dans le bac à légumes.

5.4. Ventilateur

Le ventilateur a été conçu pour faire circuler de manière homogène l'air froid à l'intérieur de votre réfrigérateur. La durée de fonctionnement du ventilateur varie en fonction des propriétés de votre appareil.

Dans certains réfrigérateurs, le ventilateur fonctionne uniquement avec compresseur, dans d'autres systèmes de commande, il permet de déterminer la durée de fonctionnement basée sur le besoin de refroidissement.



Utilisation de l'appareil

5.7. Utilisation du deuxième bac à légumes de l'appareil;



Schéma 1.

Comme illustré dans le schéma, 2 butées sont prévues dans le deuxième bac à légumes du modèle K70560.



Schéma 2.

Le deuxième bac à légumes se présente comme dans le schéma 2 lorsqu'il est fermé.



Schéma 3.

Lorsque la porte est ouverte à 90°, tirez le deuxième bac à légumes jusqu'à la première butée, comme illustré dans le schéma 3.

Si le tiroir présente un plus grand angle d'ouverture, avant toute chose, ouvrez la porte au minimum à 135 degrés. Ensuite, comme illustré dans le schéma 4, levez le deuxième bac à légumes d'environ 5 mm de sorte à le dégager de la première butée.



Schéma 4.

Après avoir levé le deuxième bac à légumes, tirez le deuxième tiroir jusqu'à la deuxième butée, comme illustré dans le schéma 5.



Schéma 5.

Utilisation de l'appareil

5.8. Balconnet de porte amovible

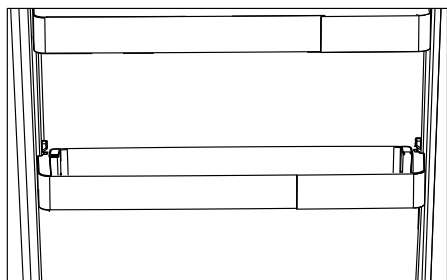
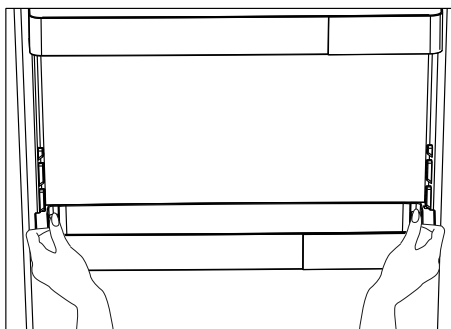
(En option)

Le balconnet de porte amovible peut être fixé de 3 manières différentes.

Pour déplacer le balconnet, appuyez uniformément sur les boutons situés sur le côté. Ainsi, le balconnet est amovible.

Déplacez le balconnet vers le haut ou vers le bas.

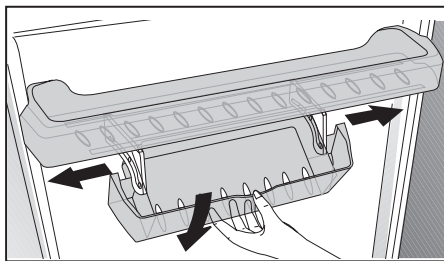
Une fois que ce dernier se trouve dans la position de votre choix, relâchez les boutons. Assurez-vous que le balconnet est fixé à nouveau à la position initiale.



5.9. Boîte de stockage coulissante (En option)

Cet accessoire a été conçu dans le but de renforcer les capacités des balconnets de porte.

Grâce à sa capacité à se déplacer latéralement, elle vous permet de disposer facilement de longues bouteilles, des bocaux ou des boîtes que vous placez dans le range-bouteilles inférieur.



Utilisation de l'appareil

5.10. Bac à légumes à humidité contrôlée

(En option)

Grâce à la fonction de contrôle de l'humidité, la quantité d'humidité de légumes et de fruits est maintenue sous contrôle. Cette fonction assure également une période de fraîcheur prolongée pour les aliments.

Il est recommandé de ne pas conserver les légumes à feuilles vertes, tels que les feuilles de laitue, les épinards, ainsi que les légumes similaires générant une perte d'humidité, sur leurs racines, mais en position horizontale dans le bac à légumes, autant que possible.

Lorsque vous stockez les légumes, placez les légumes lourds et durs au fond du bac et les légumes légers et doux au-dessus, en tenant compte des poids spécifiques de légumes.

Ne placez pas les légumes dans le bac à légumes lorsqu'ils sont encore dans les sacs en plastique. Lorsque vous les laissez dans les sacs en plastique, ces légumes pourrissent en un laps de temps. En cas de mélange de légumes non recommandé, utilisez des matériaux d'emballage tels que le papier qui possède une certaine porosité en termes d'hygiène.

Évitez de placer des fruits qui ont une production de gaz à haute teneur en éthylène tels que la poire, l'abricot, la pêche et en particulier la pomme dans le même bac à légumes que d'autres légumes et fruits. Le gaz d'éthylène provenant de ces fruits pourrait accélérer la maturité d'autres légumes et fruits qui pourraient pourrir en un laps de temps.

5.11. Module de désodorisation

(FreshGuard) *en option

Le module de désodorisation élimine rapidement les mauvaises odeurs dans votre réfrigérateur avant qu'elles ne pénètrent dans

les surfaces. Grâce à ce module placé sur le plafond du compartiment des aliments frais, les mauvaises odeurs se dissolvent pendant que l'air circule de manière active sur le filtre anti-odeurs, puis l'air qui a été nettoyé par le filtre est réintroduit dans le compartiment des aliments frais. De cette façon, les odeurs indésirables qui peuvent apparaître lors de la conservation des aliments dans le réfrigérateur sont éliminées avant qu'elles ne pénètrent dans les surfaces.

Cela grâce au ventilateur, à la LED et au filtre anti-odeurs intégré dans le module. Utilisé au quotidien, le module de désodorisation s'allume automatiquement sur une base périodique. Pour assurer un fonctionnement efficace, il est recommandé de faire changer le filtre placé dans le module de désodorisation par le prestataire de service agréé tous les 5 ans. Le bruit que vous entendez pendant le fonctionnement est normal et dû au ventilateur intégré dans le module. Si vous ouvrez la porte du compartiment d'aliments frais pendant que le module est actif, le ventilateur se met temporairement en pause et reprend là où il s'était arrêté quelques secondes après la fermeture de la porte. En cas de panne de courant, le module de désodorisation reprend là où il s'est arrêté une fois le courant rétabli.

Info : Il est recommandé de conserver les aliments aromatiques (tels que les fromages, les olives et les plats de charcuterie) dans leur emballage et scellés pour éviter les mauvaises odeurs qui peuvent se produire lorsque les odeurs de divers aliments se mélangent. En outre, il est recommandé de sortir rapidement les aliments avariés du réfrigérateur pour éviter que les autres aliments ne se détériorent et éviter les mauvaises odeurs.

Utilisation de l'appareil

5.12.Machine à glace automatique

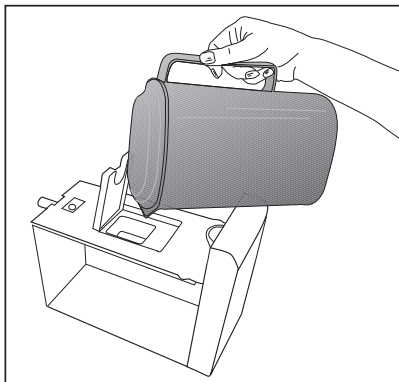
(En option)

La machine à glace automatique vous permet de faire facilement des glaçons dans votre réfrigérateur. Pour obtenir des glaçons à partir de la machine à glace, retirez le réservoir d'eau du compartiment réfrigérateur, remplissez-le d'eau et remplacez-le.

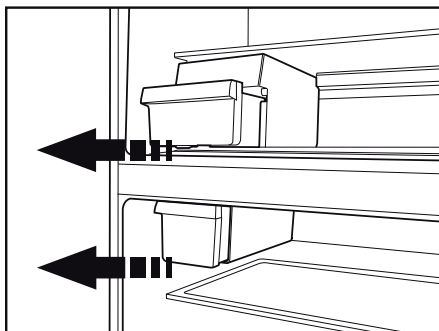
Les premiers glaçons seront prêts dans environ 2 heures dans le tiroir à glace situé dans le compartiment réfrigérateur.

Après avoir placé le réservoir rempli, vous pouvez obtenir environ 60 à 70 cubes de glace jusqu'à ce qu'il soit entièrement vide.

Si l'eau contenue dans le réservoir date de 2 à 3 semaines, veuillez la remplacer.



Dans les réfrigérateurs équipés de machine à glace automatique, vous pourriez entendre un son lorsque vous versez la glace. Ce phénomène est tout à fait normal et ne constitue nullement un signe de dysfonctionnement.



Utilisation de l'appareil

5.13. Distributeur et récipient de conservation de glaçons (dans certains modèles)

Utilisation du distributeur

Remplissez le distributeur de glaçons avec de l'eau et remettez-le à sa place. Vos glaçons seront prêts dans environ deux heures. Ne pas retirer le distributeur de glaçons de son logement pour prendre de la glace.

Tournez les molettes des réservoirs à glaçons dans le sens des aiguilles d'une montre, de manière à former un angle de 90 degrés.

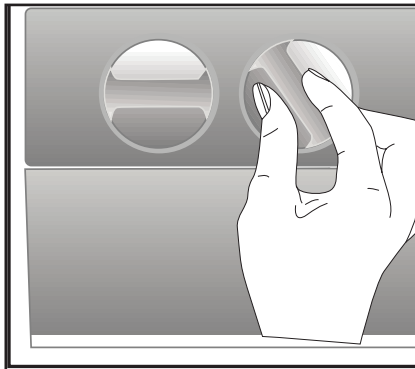
Les glaçons contenus dans les réservoirs tomberont dans le récipient de conservation de glaçons situé en dessous.

Vous pouvez alors sortir le récipient de conservation de glaçons et servir les glaçons.

Si vous le désirez, vous pouvez laisser les glaçons dans leur récipient de conservation.

Récipient de conservation de glaçons

Le récipient de conservation de glaçons sert simplement à accumuler les glaçons. Ne versez pas d'eau à l'intérieur. Cela peut le casser.

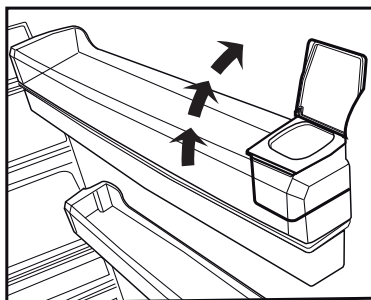
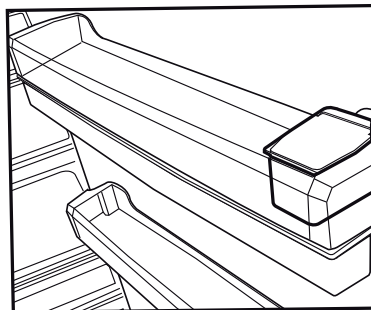
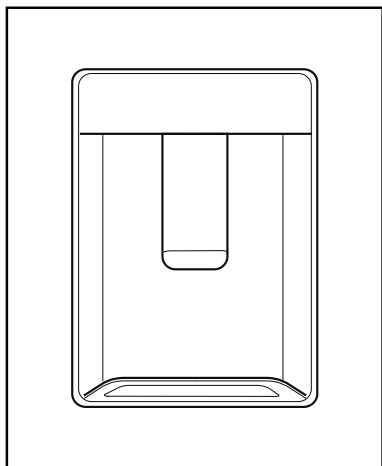


Utilisation de l'appareil

5.14. Distributeur d'eau

*en option

Cette fontaine est très important pour obtenir de l'eau fraîche sans avoir à ouvrir la porte de votre réfrigérateur. Comme vous n'aurez pas à ouvrir fréquemment la porte de votre réfrigérateur, cela vous permettra d'économiser de l'énergie.



5.15. Utilisation du distributeur

Appuyez sur le bouton de la fontaine avec votre verre. La fontaine cessera de fonctionner lorsque vous aurez relâché le bouton.

Pendant le fonctionnement de la fontaine, vous pouvez obtenir une quantité maximale en appuyant à fond sur le bouton. N'oubliez pas que la quantité de liquide obtenue est fonction du degré d'appui que vous exercez sur le bouton. A mesure que le niveau d'eau de votre tasse / verre augmente, réduisez doucement la quantité de pression du bouton pour éviter tout risque de débordement. Si vous appuyez légèrement sur le bouton, l'eau s'écoulera ; ce phénomène est tout à fait normal et n'est pas un dysfonctionnement.

Remplir le réservoir d'eau de la fontaine frigorifique

Le réservoir d'approvisionnement en eau se trouve dans le balconnet de la porte. Vous pouvez ouvrir le couvercle du réservoir et remplir celui-ci d'eau potable. Refermez ensuite le couvercle.

Avertissement !

- Ne remplissez pas le réservoir avec un liquide autre que de l'eau des boissons gazeuses, alcooliques, jus de fruits ou autres ne sont pas adaptés pour être utilisés avec le distributeur d'eau. Si de tels liquides sont utilisés, le distributeur connaîtra un dysfonctionnement et peut être profondément endommagé. La garantie ne couvre pas de telles utilisations. Certaines substances chimiques et certains additifs contenus dans de telles boissons / breuvages peuvent également endommager le réservoir d'eau.

Utilisation de l'appareil

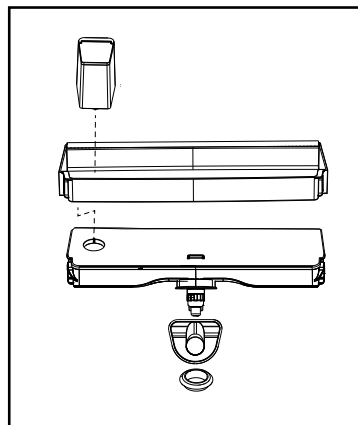
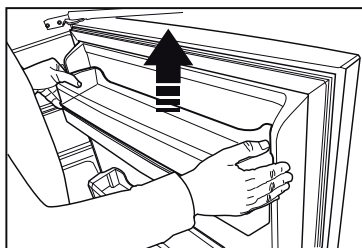
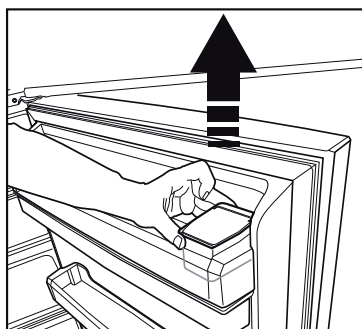
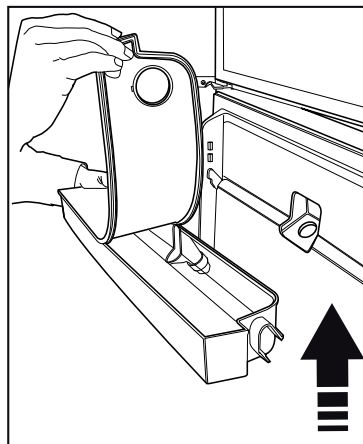
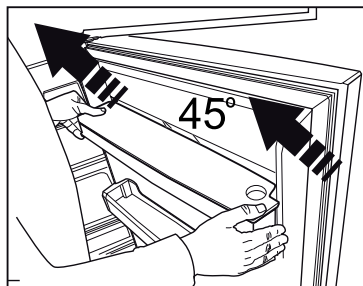
- Utilisez uniquement de l'eau potable propre.
- La capacité du réservoir est de 3 litres; ne dépassez pas la limite.
- Appuyez sur le bouton de la fontaine avec votre verre. Si vous utilisez une tasse jetable, poussez le bouton avec vos doigts à partir de l'arrière de la tasse.

5.16. Nettoyer le réservoir d'eau

- Retirez le réservoir d'approvisionnement en eau du balconnet de la porte.
- Retirez le balconnet de la porte en le tenant par les deux côtés.
- Tenez le réservoir par ses deux côtés et retirez-le selon un angle de 45 degrés.
- Retirez le couvercle afin de nettoyer le réservoir.

Important :

Le réservoir d'eau et les composants du distributeur d'eau ne peuvent pas être passés au lave-vaisselle.



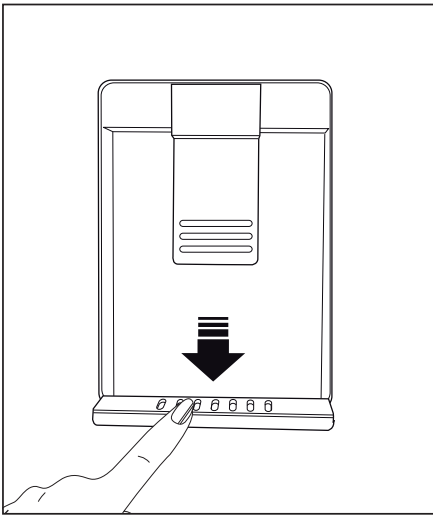
Utilisation de l'appareil

5.17. Bac à eau

L'eau qui s'écoule lors de l'utilisation du distributeur d'eau s'accumule dans le bac de dégivrage.

Retirez la crépine en plastique comme sur le schéma.

Essuyez l'excédent d'eau à l'aide d'un chiffon propre et sec.



Utilisation de l'appareil

5.18. Congélation des produits frais

- Pour conserver la qualité des aliments, les denrées placées dans le compartiment congélateur doivent être congelées le plus rapidement possible, à l'aide de la fonction de congélation rapide.
- Le fait de congeler les denrées à l'état frais prolongera la durée de conservation dans le compartiment congélateur.
- Emballez les aliments dans des emballages sous vide et scellez-les correctement.
- Assurez-vous que les aliments sont emballés avant de les placer dans le congélateur. Utilisez des récipients pour congélateur, du papier aluminium et du papier résistant à l'humidité, des sacs en plastique ou du matériel d'emballage similaire au lieu d'un papier d'emballage ordinaire.



La glace contenue dans le compartiment congélateur dégèle automatiquement.

- Marquez chaque emballage en y écrivant la date avant de le placer au congélateur. Ceci vous permettra de déterminer la fraîcheur de chaque paquet lors des ouvertures du congélateur. Mettez les aliments les plus anciens à l'avant pour vous assurer qu'ils sont utilisés en premier.
- Les aliments congelés doivent être utilisés immédiatement après le dégivrage et ne doivent pas être congelés à nouveau.
- Ne retirez pas de grandes quantités d'aliments au même moment.

5.19. Recommandations relatives à la conservation des aliments congelés

Le compartiment doit être réglé à -18°C minimum.

1. Placez les aliments dans le congélateur le plus rapidement possible pour éviter leur dégivrage.
2. Avant de les faire dégivrer, vérifiez la « date d'expiration » sur l'emballage pour vous assurer de l'état des aliments.
3. Assurez-vous que l'emballage de l'aliment n'est pas endommagé.

Réglage de la température du compartiment congélateur	Réglage de la température du compartiment réfrigérateur	Détails
-18°C	4°C	Ceci est le paramètre par défaut recommandé.
$-20, -22$ ou -24°C	4°C	Ces réglages sont recommandés pour des températures ambiantes excédant 30°C .
Congélation rapide	4°C	Cet indicateur est utilisé lorsque vous souhaitez congeler vos aliments pendant une courte période. Une fois le processus terminé, l'appareil retourne à son réglage initial.
Inférieure ou égale à -18°C	2°C	Utilisez ces réglages si vous estimez que le compartiment réfrigérateur n'est pas assez frais à cause de la température ambiante ou de l'ouverture fréquente de la porte.

Utilisation de l'appareil

5.20. Informations relatives au congélateur

Selon la norme CEI 62552, le congélateur doit être doté d'une capacité de congélation des aliments de 4,5 kg à une température inférieure ou égale à -18 °C en 24 heures pour chaque 100 litres du volume du compartiment congélateur.

Les aliments peuvent être préservés pour des périodes prolongées uniquement à des températures inférieures ou égales à -18 °C.

Vous pouvez garder les aliments frais pendant des mois (dans le congélateur à des températures inférieures ou égales à 18 °C). Les aliments à congeler ne doivent pas être en contact avec ceux déjà congelés pour éviter un dégivrage partiel.

Faites bouillir les légumes et filtrer l'eau pour prolonger la durée de conservation à l'état congelé. Placez les aliments dans des conditionnements hermétiques après filtrage et placez-les dans le congélateur. Les bananes, les tomates, les feuilles de laitue, le céleri, les oeufs durs, les pommes de terre et les aliments similaires ne doivent pas être congelés. Lorsque les aliments pourrissent, seules les valeurs nutritionnelles et les qualités alimentaires sont négativement affectées. Il ne s'agit pas d'un aliment détérioré susceptible de constituer un danger pour la santé humaine.

5.21. Disposition des denrées

Étagères du compartiment congélateur	Vous pouvez congeler différents aliments comme de la viande, du poisson, des crèmes glacées, des légumes, etc.
Étagères du compartiment réfrigérateur	Les aliments contenus dans des casseroles, des plats couverts, des gamelles et les œufs (dans des gamelles)

Balconnets de la porte du compartiment réfrigérateur	Aliments emballés et de petite taille ou des boissons
Bac à légumes	Fruits et légumes
Compartiment des aliments frais	Épicerie fine (aliments pour petit déjeuner, produits carnés à consommer à court terme)

5.22. Alerte ouverture de porte (En option)

Un signal sonore est émis si la porte de l'appareil reste ouverte pendant au moins 1 minute. Le signal sonore s'arrête à la fermeture de la porte ou lorsqu'on appuie sur bouton de l'écran (si disponible).

Ce signal destiné à l'utilisateur est à la fois audible et visuel. Le voyant intérieur s'allume si le signal d'avertissement est émis pendant 10 minutes.

5.23. Inversion de la direction d'ouverture de la porte

Vous pouvez inverser le sens d'ouverture de votre réfrigérateur, en fonction de son emplacement. Lorsque vous souhaitez effectuer cette opération, contactez le service agréé le plus proche.

L'explication ci-dessus est une déclaration générale. Veuillez vérifier l'étiquette d'avertissement située à l'intérieur de l'emballage de votre appareil, au sujet de l'inversion de la direction de la porte.

5.24. Éclairage interne

L'éclairage interne utilise une lampe de type DEL. Contactez le service agréé pour tout problème lié à cette lampe.

N'utilisez pas l'ampoule de cet appareil pour l'éclairage des maisons. Cette ampoule a été conçue pour permettre à l'utilisateur de placer les aliments dans le réfrigérateur / congélateur en toute sécurité et confortablement.

Utilisation de l'appareil

5.25. Lumière bleue/HarvestFresh

***Peut ne pas être disponible sur tous les modèles**

À propos de la lumière bleue,

Les fruits et légumes stockés dans les bacs à légumes éclairés par une lumière bleue continuent leur photosynthèse grâce à l'effet de longueur d'onde de la lumière bleue et préservent ainsi leur teneur en vitamine.

À propos de HarvestFresh,

Les fruits et légumes conservés dans les bacs à légumes éclairés par la technologie HarvestFresh conservent leurs vitamines plus longtemps grâce aux lumières bleues, vertes, rouges et aux cycles d'obscurité, qui simulent un cycle de jour.

Si vous ouvrez la porte du réfrigérateur lorsque la technologie HarvestFresh a activé la période d'obscurité, le réfrigérateur le détectera automatiquement et activera la lumière bleue, verte ou rouge afin d'éclairer le bac à légumes à votre convenance. Une fois que vous avez fermé la porte du réfrigérateur, la période d'obscurité se poursuit, représentant ainsi la nuit dans un cycle de jour.

5.26 Le compartiment des produits laitiers (entrepôt frigorifique)

Fournit une température plus basse que celle du compartiment réfrigérateur. Utilisez ce compartiment pour conserver les charcuteries (salami, saucisses, produits laitiers, etc.) qui nécessitent une température de conservation plus basse ou des produits à base de viande, de poulet ou de poisson destinés à une consommation immédiate. Ne conservez pas les fruits et les légumes dans ce compartiment.

6 Entretien et nettoyage

Nettoyez régulièrement l'appareil afin de prolonger sa durée de vie et réduire les problèmes fréquemment rencontrés.



AVERTISSEMENT : Éteignez l'appareil avant de le nettoyer.



AVERTISSEMENT : Il est recommandé de nettoyer le condenseur tous les six mois avec des gants. Vous ne devez pas utiliser d'aspirateur.

- N'utilisez jamais d'essence, de benzène ou de matériaux similaires pour le nettoyage.
- N'utilisez jamais d'ustensiles abrasifs tranchants, de savon, de produit de nettoyage domestique, de détergent et de cirage pour effectuer le nettoyage.
- Dissolvez une cuillerée à café de carbonate dans un demi-litre d'eau. Trempez un chiffon dans cette solution et essorez-le complètement. Nettoyez soigneusement l'intérieur du réfrigérateur avec ce chiffon et séchez ensuite à l'aide d'un chiffon sec.
- Ne laissez pas de l'eau pénétrer dans le logement de lampe ou dans toute autre pièce électrique.
- Si vous n'utilisez pas le réfrigérateur pendant une période prolongée, débranchez-le, retirez-y tous les aliments, nettoyez-le et laissez la porte entrouverte.
- Vérifiez régulièrement que les joints des portes sont propres. Si tel n'est pas le cas, nettoyez-les.
- Retirez tous les aliments de l'appareil avant de retirer la porte et les étagères.
- Retirez les balconnets en les tirant vers le haut. Faites glisser les balconnets vers le bas pour les réinstaller après le nettoyage.
- N'utilisez jamais de produits de nettoyage chlorés ou d'eau pour nettoyer les surfaces extérieures ou les parties du produit recouvertes de chrome. Le chlore entraîne l'abrasion de ces surfaces métalliques.

- Pour des appareils qui ne sont pas de la marque No Frost, des gouttes d'eau et une couche de givre pouvant atteindre la largeur d'un doigt se forment sur la paroi arrière du compartiment réfrigérateur. Ne les nettoyez pas et évitez d'y utiliser de l'huile ou des produits similaires.
- Utilisez uniquement des tissus en microfibres légèrement mouillés pour nettoyer la surface externe de l'appareil. Les éponges et autres tissus de nettoyage sont susceptibles de rayer la surface.

6.1. Prévention des mauvaises odeurs

Les matériaux susceptibles d'être à l'origine d'une odeur ne sont pas utilisés dans la fabrication de nos réfrigérateurs. Toutefois, des odeurs peuvent se dégager si les aliments sont mal rangés ou si la surface interne de l'appareil n'est pas nettoyée comme il se doit. Veuillez tenir compte des points suivants pour éviter ce problème :

- Il est important de garder le réfrigérateur propre. Les résidus d'aliments, les taches, etc. peuvent être à l'origine des odeurs. Pour cette raison, nettoyez votre réfrigérateur avec du carbonate dissout dans de l'eau tous les 15 jours. N'utilisez jamais de détergent ou de savon.
- Conservez vos aliments dans des récipients fermés. Les micro-organismes émis par les récipients sans couvercle peuvent provoquer des odeurs désagréables.
- Ne gardez jamais les aliments périmés ou abîmés dans votre réfrigérateur.

6.2. Protection des surfaces en plastique.

Ne placez pas d'huiles ou de plats huileux dans le réfrigérateur dans des récipients non fermés, car les graisses peuvent endommager les surfaces en plastique du réfrigérateur. Si de l'huile est répandue ou étalée sur les surfaces en plastique, nettoyez et rincez immédiatement la partie concernée de la surface à l'eau tiède.

6.3. Nettoyage de la surface intérieure

Pour nettoyer les surfaces intérieures et toutes les parties amovibles, lavez-les avec une solution douce contenant du savon, de l'eau et du carbonate. Rincez et séchez complètement. Empêchez l'eau de toucher les dispositifs d'éclairage et le panneau de commande.



ATTENTION :

N'utilisez pas de vinaigre, d'alcool à friction ou d'autres produits de nettoyage à base d'alcool sur les surfaces intérieures.

6.4. Surfaces extérieures en acier inoxydable

Utilisez un produit de nettoyage en acier inoxydable non abrasif et appliquez-le avec un chiffon doux et non pelucheux. Pour le polissage, essuyez avec douceur la surface avec un chiffon humide en microfibres et utilisez du cuir sec. Suivez toujours les fils d'acier inoxydable.

6.5. Nettoyage d'appareils avec portes en verre

Enlevez le film protecteur qui recouvre la vitre. Il y a un revêtement sur la surface de la vitre. Ce revêtement minimise la formation de taches et garantit un nettoyage facile des taches et des salissures. Les vitres non protégées par un tel revêtement peuvent être exposées à un colmatage persistant de polluants transportés par l'eau ou par l'air et d'origine organique ou inorganique comme le calcaire, les sels minéraux, les hydrocarbures non brûlés, les oxydes métalliques et les silicones qui peuvent facilement et rapidement former des taches ou entraîner ainsi des dégâts matériels. Malgré un lavage régulier, la vitre devient très difficile à nettoyer, mais reste nettoyable. En conséquence, la clarté et la bonne apparence du verre en pâtit. Les composés et méthodes de nettoyage durs et abrasifs augmentent encore ces défauts et accélèrent le processus de détérioration.

*Les produits de nettoyage non alcalins, non abrasifs et à base d'eau doivent être utilisés pour les procédures de nettoyage usuelles.

Pour que le revêtement ait une longue durée de vie, les substances alcalines ou abrasives ne doivent pas être utilisées lors des opérations de nettoyage.

Ces vitres ont été soumises à un processus de trempe pour augmenter leur résistance aux chocs et à la rupture.

Comme mesure de sécurité supplémentaire, les surfaces arrière des verres sont recouvertes d'un film de sécurité pour s'assurer qu'ils ne nuisent pas à l'environnement en cas de rupture.

Vérifiez la liste suivante avant de contacter le service après-vente. Cela vous permet de gagner du temps et de l'argent. Cette liste contient les problèmes fréquemment rencontrés qui ne sont pas le résultat d'un défaut de fabrication ou d'une mauvaise utilisation des matériaux. Il se peut que votre appareil ne présente pas certaines des caractéristiques décrites ici.

Le réfrigérateur ne fonctionne pas.

- Il peut ne pas être branché comme il se doit. >>>Branchez l'appareil correctement.
- Le fusible de la prise à laquelle votre réfrigérateur est branché ou le fusible principal a peut-être sauté. >>>Vérifiez le fusible.

Condensation sur la paroi intérieure du compartiment réfrigérateur. (MULTI ZONE, COOL CONTROL et FLEXI ZONE).

- La porte peut avoir été ouverte/fermée fréquemment. Évitez d'ouvrir/de fermer la porte du réfrigérateur fréquemment.
- L'environnement peut être trop humide. >>>N'installez pas le réfrigérateur à des endroits très humides.
- Les aliments contenant du liquide peuvent avoir été placés au réfrigérateur dans des récipients sans couvercle. >>>Assurez-vous que des aliments contenant du liquide rangés dans des récipients non fermés ne soient pas placés pas dans le réfrigérateur.
- La porte du réfrigérateur peut avoir été laissée entrouverte. >>>Ne gardez pas longtemps les portes de votre réfrigérateur ouvertes.
- Le thermostat peut avoir été réglé à un niveau très froid. >>>Réglez le thermostat à un niveau approprié.

Le compresseur ne fonctionne pas.

- Le dispositif de protection thermique du compresseur sautera en cas de coupures soudaines du courant ou de débranchement intempestif, en effet la pression du liquide réfrigérant du système de refroidissement ne sera pas équilibrée. Le réfrigérateur recommence à fonctionner normalement après 6 minutes environ. Si le réfrigérateur ne démarre pas à la fin de cette période, veuillez appeler le prestataire de services agréé.
- Le congélateur est en mode dégivrage. >>>Ceci est normal pour un réfrigérateur qui effectue le dégivrage entièrement automatique. Le cycle de dégivrage est effectué périodiquement.
- Le réfrigérateur ne doit pas être branché. >>>Assurez-vous que la fiche est bien insérée dans la prise.
- Les réglages de température peuvent être incorrects. >>>Sélectionnez la valeur de température correcte.
- Panne de courant possible. >>>Le réfrigérateur commence à fonctionner normalement une fois que l'alimentation est rétablie.

Le niveau sonore augmente lorsque le réfrigérateur est en marche.

- Les performances de fonctionnement du réfrigérateur peuvent varier en fonction des variations de température ambiante. Cela est normal et n'est pas un défaut.

Le réfrigérateur fonctionne fréquemment ou pendant de longues périodes.

Dépannage

- Votre nouveau réfrigérateur est peut-être plus grand que l'ancien. Les grands réfrigérateurs durent plus longtemps.
- La température de la pièce est probablement élevée. >>>Il est normal que l'appareil fonctionne plus longtemps dans des environnements chauds.
- Il se peut que le réfrigérateur ait été branché ou chargé d'aliments. >>>Il faut plus de temps à l'appareil pour atteindre la température réglée lorsqu'il vient d'être branché ou chargé. Ce phénomène est normal.
- De grandes quantités d'aliments chauds ont peut-être été mises au réfrigérateur récemment. >>>Ne placez pas les aliments chauds dans le réfrigérateur.
- Les portes peuvent avoir été ouvertes fréquemment ou laissées entrouvertes depuis longtemps. >>>L'air chaud qui pénètre dans le réfrigérateur le fait fonctionner plus longtemps. N'ouvrez pas les portes fréquemment.
- Les portes des compartiments congélateur et réfrigérateur ont été laissées entrouvertes. >>>Assurez-vous que les portes sont bien fermées.
- L'appareil peut être réglé à une température très basse. >>> Réglez la température du réfrigérateur à un degré plus chaud et patientez que l'appareil atteigne ce niveau de température.
- Le joint de porte du réfrigérateur ou du compartiment congélateur peut être sale, usé, brisé ou mal fixé. >>> Nettoyez ou remplacez le joint. Tout joint endommagé/brisé fait fonctionner le réfrigérateur pendant une période de temps plus longue afin de conserver la température actuelle.

La température du réfrigérateur est adéquate, mais la température du congélateur est très basse.

- La température du compartiment congélateur peut être réglée à une valeur très basse.>>> Réglez la température du compartiment congélateur à une valeur supérieure et vérifiez.

La température du congélateur est adéquate, mais la température du réfrigérateur est très basse.

- Le réfrigérateur est réglé à une température très basse. >>> Réglez la température du réfrigérateur à un degré supérieur et vérifiez.

Les denrées conservées dans les tiroirs du compartiment de réfrigération sont congelées.

- La température du compartiment réfrigérateur peut être réglée à une valeur très élevée.>>> Réglez la température du compartiment réfrigérateur à une valeur inférieure et vérifiez.

La température dans le réfrigérateur ou le congélateur est très élevée.

- La température du compartiment réfrigérateur peut être réglée à une température très élevée. >>>Le réglage du compartiment réfrigérant a un effet sur la température du congélateur. Modifiez la température du réfrigérateur ou du compartiment congélateur jusqu'à ce que la température du réfrigérateur ou du compartiment congélateur atteigne un niveau adéquat.
- Les portes peuvent avoir été ouvertes fréquemment ou laissées entrouvertes depuis longtemps. >>>N'ouvrez pas les portes fréquemment.
- La porte a peut-être été laissée entrouverte. >>>Fermez complètement la porte.
- Le réfrigérateur était peut-être tout simplement branché ou chargé d'aliment. >>>Ce phénomène est normal. Il faut plus de temps à l'appareil pour atteindre la température réglée lorsqu'il vient d'être branché ou chargé.
- De grandes quantités d'aliments chauds ont peut-être été mises au réfrigérateur récemment. >>>Ne placez pas les aliments chauds dans le réfrigérateur.

Vibrations ou bruits.

Dépannage

- Le plancher peut ne pas être stable ou de niveau. >>>Si le réfrigérateur vibre légèrement, ajustez l'alimentation pour l'équilibrer. Assurez-vous que le sol est de niveau et capable de supporter le poids du réfrigérateur.
- Les objets placés sur le réfrigérateur peuvent causer du bruit. >>>Retirez tout objet placé sur le réfrigérateur.

Le réfrigérateur produit des bruits semblables à de l'eau qui coule ou à la pulvérisation d'un liquide.

- Les écoulements de liquide et de gaz surviennent conformément aux principes de fonctionnement du réfrigérateur. >>>Ce phénomène est normal et n'est pas considéré comme un défaut.

Le réfrigérateur émet un sifflement.

- Votre appareil est doté de ventilateurs qui servent à le refroidir. Cela est normal et n'est pas un défaut.

L'humidité s'accumule sur les parois intérieures du réfrigérateur.

- Un temps chaud et humide augmente la formation de givre et de condensation. Cela est normal et n'est pas un défaut.
- Les portes peuvent avoir été ouvertes fréquemment ou laissées entrouvertes depuis longtemps. >>>N'ouvrez pas les portes fréquemment. Fermez les portes, si elles sont ouvertes.
- La porte a peut-être été laissée entrouverte. >>>Fermez complètement la porte.

L'humidité est présente sur la surface extérieure du réfrigérateur ou entre les portes.

- L'air peut être humide. C'est tout à fait normal par temps humide. >>>La condensation disparaît une fois que le taux d'humidité diminue.
- L'espace présent entre deux portes du réfrigérateur peut présenter de l'humidité si vous utilisez rarement votre appareil. Ce phénomène est normal. Cette humidité disparaît en cas d'utilisation fréquente du réfrigérateur.

L'intérieur du réfrigérateur dégage une mauvaise odeur.

- L'appareil n'a peut-être pas été nettoyé régulièrement. Nettoyez l'intérieur du réfrigérateur avec une éponge, de l'eau tiède ou de l'eau gazeuse.
- Certains récipients ou matériaux d'emballage peuvent provoquer des odeurs. >>>Utilisez un autre récipient ou du matériel d'emballage d'une autre marque.
- Les aliments peuvent avoir été mis au réfrigérateur dans des récipients sans couvercle. >>>Conservez les aliments dans des récipients fermés. Les micro-organismes émis par les récipients sans couvercle peuvent provoquer des odeurs désagréables.
- Sortez les aliments périmés ou abîmés du réfrigérateur.

Il est impossible de fermer la porte.

- Des récipients peuvent empêcher la porte de se fermer. >>> Repérez les emballages qui obstruent la porte.
- Le réfrigérateur peut être instable sur le sol. >>>Ajustez les pieds du réfrigérateur au besoin pour le garder en équilibre.
- Le plancher peut ne pas être de niveau ou solide. >>>Assurez-vous que le plancher est de niveau et qu'il peut supporter le poids du réfrigérateur..

Les bacs à légumes sont coincés.

- Les aliments peuvent toucher la paroi supérieure du bac à légumes. >>>Réorganisez les aliments dans le bac à légumes.

Si la surface de l'appareil est chaude

Vous pouvez observer une élévation de la température entre les deux portes, sur les panneaux latéraux et au niveau de la grille arrière pendant le fonctionnement de l'appareil. Ce phénomène est normal et ne nécessite aucune opération d'entretien !

Le ventilateur continue de fonctionner lorsque la porte est ouverte.

Le ventilateur peut continuer de fonctionner lorsque la porte du congélateur est ouverte.



AVERTISSEMENT : Si vous ne parvenez pas à résoudre le problème même après avoir suivi les instructions données dans cette section, contactez votre revendeur ou le prestataire de services agréé. N'essayez jamais de réparer un appareil défectueux.

CLAUDE DE NON-RESPONSABILITÉ / AVERTISSEMENT

Il est possible de remédier à certaines défaillances (simples) de manière adéquate par l'utilisateur final sans qu'il y ait de problème de sécurité ou d'utilisation dangereuse, à condition qu'elles soient effectuées dans les limites et conformément aux instructions suivantes (voir la section « Auto-réparation »).

Dès lors, sauf autorisation contraire dans la section « Auto-réparation » ci-dessous, les réparations doivent être adressées à des réparateurs professionnels agréés afin d'éviter les problèmes de sécurité. Un réparateur professionnel agréé est un réparateur professionnel à qui le fabricant a donné accès aux instructions et à la liste des pièces détachées de ce produit selon les méthodes décrites dans les actes législatifs en application de la directive 2009/125/CE.

Par contre, tel que mentionné dans le manuel d'utilisation/carte de garantie, seul l'agent de service (c'est-à-dire les réparateurs professionnels agréés) que vous pouvez joindre au numéro de téléphone indiqué dans le manuel d'utilisation/carte de garantie ou par l'intermédiaire de votre revendeur agréé peut fournir un service dans le cadre des conditions de garantie. Par conséquent, veuillez noter que les réparations effectuées Beko par des réparateurs professionnels (qui ne sont pas autorisés par) annuleront la garantie.

Auto-réparation

L'utilisateur final peut lui-même réparer les pièces de rechange ci-après : poignées de porte, charnières de porte, plateaux, paniers et joints de porte (une liste mise à jour est également disponible à l'adresse support.beko.com au 1er mars 2021).

En outre, pour garantir la sécurité du produit et éviter tout risque de blessure grave, l'autoréparation mentionnée doit être effectuée

en suivant les instructions du manuel d'utilisation pour l'autoréparation ou qui sont disponibles dans support.beko.com Pour votre sécurité, débranchez le produit avant de tenter toute autoréparation.

Les réparations et tentatives de réparation par les utilisateurs finaux pour les pièces ne figurant pas dans cette liste et/ou ne suivant pas les instructions des manuels d'utilisation pour l'autoréparation ou qui sont disponibles dans support.beko.com, pourrait donner lieu à des problèmes de sécurité non imputables à Beko, et annulera la garantie du produit.

Il est donc fortement recommandé aux utilisateurs finaux de s'abstenir de tenter d'effectuer des réparations ne figurant pas sur la liste des pièces de rechange mentionnée, en s'adressant dans ce cas à des réparateurs professionnels autorisés ou à des réparateurs professionnels agréés. Au contraire, de telles tentatives de la part des utilisateurs finaux peuvent causer des problèmes de sécurité et endommager le produit et, par la suite, provoquer un incendie, une inondation, une électrocution et des blessures corporelles graves.

Sans être exhaustives, les réparations suivantes par exemple doivent être effectuées par des personnes qualifiées : les réparateurs professionnels ou les réparateurs professionnels agréés : compresseur, circuit de refroidissement, carte mère, carte de convertisseur, carte d'affichage, etc.

Le fabricant/vendeur ne peut être tenu responsable dans tous les cas où les utilisateurs finaux ne se conforment pas à ce qui précède.

La disponibilité des pièces de rechange du réfrigérateur que vous avez acheté est de 10 ans.

Pendant cette période, des pièces de rechange originales seront disponibles pour faire fonctionner correctement le réfrigérateur.

La durée minimale de garantie du réfrigérateur que vous avez acheté est de 24 mois.

Bitte lesen Sie vor Inbetriebnahme des Gerätes diese Anleitung!

Sehr geschätzte Kundin, sehr geschätzter Kunde,





wir hoffen, dass Sie mit Ihrem Produkt, das sorgfältig in modernen Anlagen hergestellt und mit detaillierten Qualitätsprüfungen getestet wurde, optimale Ergebnisse erzielen.

Daher empfehlen wir Ihnen, diese Bedienungsanleitung vor Inbetriebnahme des Produktes aufmerksam zu lesen. Falls Sie das Gerät an jemand anderen weitergeben, vergessen Sie nicht, diese Bedienungsanleitung ebenfalls beizulegen.

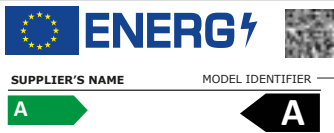
Die Anleitung hilft Ihnen, Ihr Gerät schnell und sicher zu bedienen.

- Bitte lesen Sie die Bedienungsanleitung aufmerksam, bevor Sie das Produkt aufstellen und bedienen.
- Halten Sie stets die zutreffenden Sicherheitshinweise ein.
- Bewahren Sie die Bedienungsanleitung zum künftigen Nachschlagen an einem leicht zugänglichen Ort auf.
- Bitte lesen Sie alle anderen mit dem Produkt bereitgestellten Dokumente.

Beachten Sie, dass diese Bedienungsanleitung auf verschiedene Produktmodelle zutreffen kann. Diese Anleitung weist ausdrücklich auf Unterschiede zwischen verschiedenen Modellen hin.

	Wichtige Informationen und nützliche Hinweise.
	Gefahr von Verletzungen und Sachschäden.
	Stromschlaggefahr.
	Die Verpackungsmaterialien des Gerätes wurden gemäß nationalen Umweltschutzbestimmungen aus recyclingfähigen Materialien hergestellt.

ANGABEN



Die Modellinformationen, wie sie in der Produktdatenbank gespeichert sind, können durch Eingabe der folgenden Website und Suche nach Ihrer Modellkennung (*) auf dem Energietikett erreicht werden.

<https://eprel.ec.europa.eu/>

1 Wichtige Hinweise zu Sicherheit und Umwelt 3

1.1. Allgemeine Hinweise zu Ihrer Sicherheit	3
1.1.1 Kohlenwasserstoff-Warnung	6
1.1.2 Bei Produkten mit Wasserspender/Eisbereiter	6
1.2. Bestimmungsgemäßer Einsatz	6
1.3. Sicherheit von Kindern	7
1.4. Erfüllung der WEEE-Vorgaben zur Entsorgung von Altgeräten:	7
1.5. Einhaltung von RoHS-Vorgaben:	7
1.6. Verpackungsinformationen	7

2 Ihr Kühlschrank 8

3 Installation 9

3.1. Der richtige Aufstellungsort.	9
3.2. Kunststoffkeile anbringen	9
3.3. Füße einstellen.	9
3.4. Stromanschluss	9

4 Vorbereitungen 11

4.1. Maßnahmen zum Energiesparen	11
4.2. Erste Inbetriebnahme	11

5 Produkt verwenden 12

5.1. Anzeigefeld	12
5.2. Eisbehälter	14
5.3. Eierhalter	14
5.4. Lüfter	14
5.5. Gemüsefach	14
5.6. 0-Grad-Fach	14
5.7. Das zweite gemüsefach des produktes verwenden	15
5.8. Bewegliche Türablage	16
5.9. Verschiebbarer Vorratsbehälter	16
5.10. HerbBox/HerbFresh	16
5.11. Feuchtigkeitskontrolliertes Gemüsefach.	17

5.12. Automatischer Eisbereiter	17
5.13. Eisbereiter und Eisbehälter	18
5.14. Wasserspender	19
5.15. So benutzen Sie den Wasserspender.	19
5.16. Wassertank reinigen	19
5.17. Tropfschale	21
5.18. Frische Lebensmittel tiefkühlen.	22
5.19. Empfehlungen zur Lagerung gefrorener Lebensmittel.	22
5.20. Hinweise zum Tiefkühlbereich	22
5.21. Lebensmittel einlagern	23
5.22. Tür-offen-Alarm	23
5.23. Wechseln des Türanschlags	23
5.24. Innenbeleuchtung.	23
5.25. Blaues Licht/HarvestFresh	23
5.26. Der Milchbehälter (Kühlagerung)	23

6 Wartung und Reinigung 24

6.1. Unangenehme Gerüche verhindern	24
6.2. Kunststoffflächen schützen	24
6.3. Innenfläche reinigen	24
6.4. Edelstahl-Außenflächen	25
6.5. Produkte mit Glastüren reinigen	25

6 Reinigung und Pflege 25

7 Problemlösung 26

1 Wichtige Hinweise zu Sicherheit und Umwelt

Dieses Kapitel enthält Sicherheitshinweise, die Ihnen dabei helfen, die Gefahr von Verletzungen oder Sachschäden zu verhindern. Bei Nichtbeachtung dieser Anweisungen erlöschen sämtliche Gewährleistungen.

Bestimmungsgemäßer Einsatz

ACHTUNG:

Stellen Sie sicher, dass die Entlüftungsöffnungen am Aufstellort des Gerätes nicht blockiert sind.

ACHTUNG:

Um den Auftauvorgang zu beschleunigen, keine anderen mechanischen Geräte oder Geräte verwenden, die nicht vom Hersteller empfohlen sind.

ACHTUNG:

Dem Kühlmittelkreislauf keine Schäden zufügen.

ACHTUNG:

In den Lebensmittelaufbewahrungsfächern keine Geräte verwenden, die nicht vom Hersteller empfohlen sind.



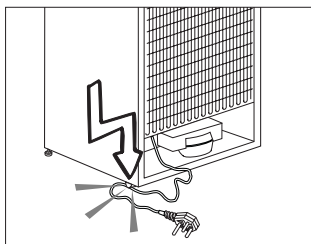
Dieses Gerät ist für die private Nutzung oder für den Gebrauch bei folgenden ähnlichen Anwendungen konzipiert worden

- In Personalküchen in Geschäften, Büros und anderen Arbeitsumgebungen;
- In Bauernhöfen, Hotels, Motels und anderen Unterkünften, für den Gebrauch der Kunden;
- Umgebungen mit Übernachtung und Frühstück;

1.1. Allgemeine Hinweise zu Ihrer Sicherheit

- Personen mit körperlichen, sensorischen oder geistigen Behinderungen, oder die sich mit dem Gerät nicht auskennen, sollten es nicht nutzen. Kinder sollten nicht daran spielen oder hineinklettern.

- Die Nichteinhaltung der Anweisungen zum Gerät oder eine unkontrollierte Nutzung des Gerätes könnten zu gefährlichen Situationen führen!
- Ziehen Sie den Netzstecker, falls während der Benutzung eine Störung auftritt.
- Falls das Produkt nicht richtig funktioniert, darf es erst nach Reparatur durch einen autorisierten Serviceanbieter in Betrieb genommen werden. Stromschlaggefahr!
- Schließen Sie das Gerät an eine geerdete Steckdose an, die mit einer Sicherung, die dem Wert auf dem Typenschild entspricht, ausgestattet ist. Lassen Sie das Produkt von einem qualifizierten Elektriker erden. Unser Unternehmen übernimmt keine Verantwortung für Schäden aufgrund einer nicht gemäß den örtlichen Bestimmungen geerdeten Steckdose.
- Ziehen Sie den Netzstecker, wenn Sie das Gerät nicht nutzen.
- Lassen Sie niemals Wasser direkt auf das Gerät gelangen; auch nicht zum Reinigen! Stromschlaggefahr!
- Berühren Sie den Netzstecker niemals mit feuchten oder gar nassen Händen!
- Trennen Sie das Gerät niemals durch Ziehen am Kabel vom Stromnetz. Greifen Sie beim Ziehen immer am Stecker.



- Achten Sie beim Aufstellen des Gerätes darauf, dass das Netzkabel nicht eingeklemmt oder anderweitig beschädigt wird.

Hinweise zu Sicherheit und Umwelt

- Platzieren Sie nicht mehrere Mehrfachsteckdosen oder Netzteile hinter dem Gerät.
- Schließen Sie den Kühlschrank nicht an lose Steckdosen an.
- Verbinden Sie Ihren Kühlschrank nie mit Energiesparvorrichtungen. Solche Systeme können dem Gerät schaden.
- Sorgen Sie dafür, dass das Gerät bei Installation, Pflege, Reinigung und Reparaturen komplett vom Stromnetz getrennt wird.
- Überlassen Sie die Produktaufstellung und den elektrischen Anschluss immer einem **autorisierten Serviceanbieter**. Der Hersteller übernimmt keine Verantwortung für Schäden, die durch von nicht autorisierten Personen ausgeführten Arbeitsschritten verursacht werden.
- Verzehren Sie Speiseeis und Eiswürfel nicht unmittelbar nach der Entnahme aus dem Tiefkühlbereich! Andernfalls kann es zu Erfrierungen an den Lippen kommen.
- Berühren Sie gefrorene Lebensmittel nicht mit feuchten Händen! Die Lebensmittel können an den Händen festfrieren!
- Bewahren Sie Getränke in Flaschen und Dosen niemals im Tiefkühlbereich auf. Sie können platzen!
- Verwenden Sie zum Reinigen oder Abtauen des Kühlschranks niemals Dampf oder Dampfreiniger. Wenn Dampf mit spannungsführenden Teilen in Ihrem Kühlschrank in Berührung kommt, drohen Kurzschlüsse und Stromschläge!
- Nutzen Sie keine mechanischen oder anderen Hilfsmittel, um das Gerät abzutauen – es sei denn, solche Hilfsmittel werden ausdrücklich vom Hersteller empfohlen.
- Missbrauchen Sie niemals Teile Ihres Kühlschranks (z. B. Tür oder Schubladen) als Befestigungen oder Kletterhilfen. Mit anderen Worten: Stellen Sie sich niemals auf Teile Ihres Kühlschranks, hängen Sie sich nicht daran. Dies gilt natürlich auch für Kinder. Andernfalls kann das Gerät umkippen und beschädigt werden.
- Achten Sie darauf, den Kühlkreislauf keinesfalls mit Bohr- oder Schneidwerkzeugen zu beschädigen. Das Kühlmittel kann herausspritzen, wenn die Gaskanäle des Verdunsters, Rohr- und Schlauchleitungen oder Oberflächenversiegelungen beschädigt werden. Dies kann zu Hautreizungen und Augenverletzungen führen.
- Decken Sie keinerlei Belüftungsöffnungen des Kühlschranks ab.
- Lagern Sie hochprozentige alkoholische Getränke gut verschlossen und aufrecht.
- Benutzen Sie keine Sprays in der Nähe des Gerätes; es besteht eine gewisse Brand- und Explosionsgefahr!
- Bewahren Sie in dem Gerät niemals entflammbare oder explosive Produkte auf oder solche, die entflammbare oder explosive Gase (z. B. Spray) enthalten.
- Stellen Sie keine mit Flüssigkeiten gefüllten Gegenstände auf dem Produkt ab. Falls Wasser oder

Hinweise zu Sicherheit und Umwelt

- andere Flüssigkeiten an elektrische Teile gelangen, kann es zu Stromschlägen oder Bränden kommen.
- Bewahren Sie Gegenstände, die eine präzise Temperatureinstellung benötigen (wie Impfstoffe, hitzeempfindliche Medikamente, wissenschaftliche Materialien usw.) nicht im Kühlschrank auf.
 - Ziehen Sie den Netzstecker und entnehmen Sie die Lebensmittel, falls das Produkt voraussichtlich längere Zeit nicht benutzen.
 - Falls der Kühlschrank über ein blaues Licht verfügt, blicken Sie nicht mit optischen Werkzeugen in dieses Licht.
 - In Bezug auf die elektrische Sicherheit besteht Gefahr, wenn das Produkt Regen, Schnee, direkter Sonneneinstrahlung und Wind ausgesetzt wird.
 - Bei Geräten mit mechanischer Temperaturregelung (Thermostat) warten Sie nach Unterbrechungen der Stromversorgung grundsätzlich mindestens 5 Minuten lang ab, bevor Sie den Netzstecker wieder einstecken.
 - Überladen Sie den Kühlschrank nicht. Gegenstände im Kühlschrank könnten herunterfallen und Verletzungen oder Schäden verursachen, wenn die Tür geöffnet wird. Ähnliche Probleme können auftreten, wenn ein Gegenstand auf dem Produkt platziert wird.
 - Falls das Gerät einen Türgriff hat, bewegen Sie es nicht durch Ziehen am Griff. Der Griff könnte sich lockern.
 - Achten Sie darauf, dass Ihre Hände sowie andere Körperteile nicht zwischen die beweglichen Teile des Kühlschranks geraten.
 - Stecken Sie weder Ihre Hand noch irgendwelche Gegenstände in den Eisbereiter, während er in Betrieb ist.
 - Kinder im Alter von 3 bis 8 Jahren dürfen Kühlgeräte ein- und ausräumen.
 - Vermeiden Sie durch Einhaltung der folgenden Anweisungen Lebensmittelkontamination:
 - Durch langes Öffnen der Tür kann die Temperatur in den Fächern des Gerätes drastisch ansteigen.
 - Reinigen Sie die Oberflächen, die mit Lebensmitteln in Berührung kommen, sowie zugängliche Ableitungssysteme regelmäßig.
 - Reinigen Sie Wassertanks, wenn diese 48 Stunden lang nicht benutzt wurden; spülen Sie das an die Wasserversorgung angeschlossene Wassersystem durch, falls 5 Tage lang kein Wasser entnommen wurde.
 - Bewahren Sie rohes Fleisch und Fisch in geeigneten Behältern im Kühlschrank auf, damit diese nicht mit anderen
 - Lebensmitteln in Berührung kommen.
 - Zwei-Sterne-Gefrierfächer eignen sich zur Aufbewahrung von Tiefkühlkost, zur Lagerung oder Herstellung von Speiseeis und zur Herstellung von Eiswürfeln.
 - Ein-, Zwei- und Drei-Sterne-Fächer eignen sich nicht zum Einfrieren frischer Lebensmittel.

Hinweise zu Sicherheit und Umwelt

- Falls das Kühlgerät lange Zeit leer bleibt, sollten Sie es abschalten, abtauen, reinigen, trocknen und die
- Tür geöffnet lassen, damit sich kein Schimmel im Gerät bildet.
- Achten Sie beim Aufstellen des Gerätes darauf, dass das Netzkabel nicht eingeklemmt oder anderweitig beschädigt wird.
- Platzieren Sie nicht mehrere Mehrfachsteckdosen oder Netzteile hinter dem Gerät.

1.1.1 Kohlenwasserstoff-Warnung

- Falls das Kühlsystem Ihres Produktes R600a enthält:
Dieses Gas ist leicht entflammbar. Achten Sie also darauf, Kühlkreislauf und Leitungen während Betrieb und Transport nicht zu beschädigen. Halten Sie das Produkt bei Schäden von möglichen Feuerquellen fern und belüften Sie den Raum, in dem das Produkt aufgestellt ist.

	Halten Sie sich vom Gas fern, falls das Produkt beschädigt ist und offensichtlich Gas austritt. Es kann bei Hautkontakt Erfrierungen verursachen. (Einschließlich R134)
	Ignorieren Sie diese Warnung, falls das Kühlsystem Ihres Produktes R134a enthält.
	Die Art des im Produkt eingesetzten Gases wird auf dem Typenschild an der linken Innenwand des Kühlschranks angegeben.
	WARNUNG: Entsorgen Sie das Produkt keinesfalls durch Verbrennen.

1.1.2 Bei Produkten mit Wasserspender/Eisbereiter

- Der Druck für die Kaltwasserzufuhr sollte maximal 90 psi (620 kPa) betragen. Wenn der Wasserdruck in Ihrem Haushalt 80 psi (550 kPa) übersteigt, verwenden Sie bitte ein Druckbegrenzungsventil in Ihrem Leitungssystem. Sollten Sie nicht wissen, wie der Wasserdruck gemessen wird, ziehen Sie bitte einen Fachinstallateur hinzu.
- Falls die Gefahr von Wasserschlägen in Ihrer Installation besteht, nutzen Sie immer eine Wasserschlag-Präventionsausrüstung in dieser Installation. Wenden Sie sich an einen professionellen Klempner, wenn Sie nicht sicher sind, ob bei Ihrer Installation die Gefahr eines Wasserschlags besteht.
- Nehmen Sie keine Installation am Warmwasserzulauf vor.
- Nutzen Sie ausschließlich Trinkwasser.
- Schützen Sie die Schläuche mit geeigneten Maßnahmen vor Frost. Der Wassertemperaturbereich muss zwischen 0,6 und 38 °C liegen.

	WARNUNG: Schließen Sie das Produkt niemals an einen Kaltwasseranschluss mit einem Druck von 550 kPa oder mehr an.
---	---

1.2. Bestimmungsgemäßer Einsatz

- Dieses Gerät ist zur Nutzung im Haushalt vorgesehen. Es eignet sich nicht zum kommerziellen Einsatz und darf nur für seinen bestimmungsgemäßen Einsatzzweck verwendet werden.

Hinweise zu Sicherheit und Umwelt

- Es darf nur zur Aufbewahrung von Lebensmitteln genutzt werden.
- Der Hersteller übernimmt keine Verantwortung für Schäden aufgrund von unsachgemäßem Gebrauch oder Transport.
- Originalersatzteile sind ab Kaufdatum des Produktes 10 Jahre erhältlich.

1.3. Sicherheit von Kindern

- Wenn Sie ein Schloss an der Gerätetür haben, sollte der Schlüssel außerhalb der Reichweite von Kindern aufbewahrt werden.
- Kinder dürfen nicht mit dem Gerät spielen.

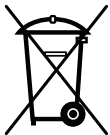


GEFAHR:

Bevor Sie Ihr Altgerät entsorgen:

- Kinder könnten sich im Inneren des Gerätes einsperren.
- Entfernen Sie die Türen.
- Lassen Sie die Ablagen im Gerät, damit Kinder nicht so einfach in das Produkt gelangen.

1.4. Erfüllung der WEEE-Vorgaben zur Entsorgung von Altgeräten:



Dieses Produkt erfüllt die Vorgaben der europäischen WEEE-Richtlinie (2012/19/EU). Das Gerät wurde mit einem Klassifizierungssymbol für elektrische und elektronische Altgeräte (WEEE) gekennzeichnet. Dieses Gerät wurde aus hochwertigen

Materialien hergestellt, die wiederverwendet und recycelt werden können. Entsorgen Sie das Gerät am Ende seiner Einsatzzeit daher nicht mit dem

regulären Hausmüll oder anderen Abfällen. Bringen Sie das Gerät zu einer Sammelstelle zum Recycling von elektrischen und elektronischen Geräten. Ihre Stadtverwaltung informiert Sie gerne über geeignete Sammelstellen in Ihrer Nähe.

1.5. Einhaltung von RoHS-Vorgaben:

Das von Ihnen erworbene Gerät erfüllt die Anforderungen der europäischen RoHS-Richtlinie (2011/65/EU). Es enthält keine in der Richtlinie angegebenen gefährlichen oder unzulässigen Materialien.

1.6. Verpackungsinformationen

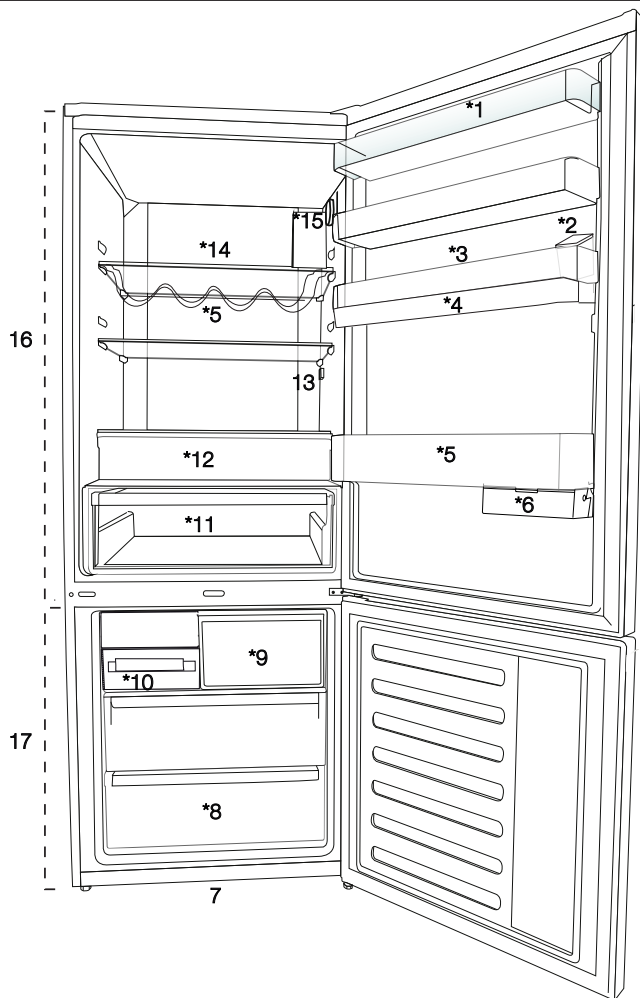
- Die Verpackungsmaterialien des Gerätes wurden gemäß nationalen Umweltschutzbestimmungen aus recyclingfähigen Materialien hergestellt. Entsorgen Sie Verpackungsmaterialien nicht mit dem normalen Hausmüll oder anderen Abfällen. Bringen Sie diese Materialien zu einer von Ihrer Stadtverwaltung vorgesehenen Recyclingstelle.



GEFAHR:

Brand- oder Explosionsgefahr:

- Dieses Produkt nutzt ein entflammendes Kühlmittel.
- Tauen Sie den Kühlschrank nicht mit mechanischen Geräten ab.
- Verwenden Sie zur Reinigung keine Chemikalien.
- Durchstechen Sie die Kühlmittelleitung nicht.
- Falls die Kühlmittelleitung durchstochen wird, darf sie nur von autorisiertem Servicepersonal repariert werden.
- Bitte wenden Sie sich vor der Reinigung des Produktes an die Reparatur- / Bedienungsanleitung. Alle Sicherheitshinweise müssen befolgt werden.
- Entsorgen Sie das Produkt entsprechend den staatlichen oder örtlichen Vorschriften.



- | | |
|--|---|
| <ol style="list-style-type: none"> 1. Kühlbereich-Türablage 2. Wasserspender-Befüllung 3. Eierhalter 4. Wasserspender-Tank 5. Flaschenablage 6. Verschiebbarer Vorratsbehälter 7. Einstellbare Füße 8. Tiefkühlbereich 9. Schnellgefrierfach 10. Eisbereiter und Eisbehälter | <ol style="list-style-type: none"> 11. Gemüsefach 12. Der Milchbehälter (Kühlagerung) 13. Innenbeleuchtung 14. Kühlbereichglasablage 15. Temperatureinstelltaste 16. Kühlbereich 17. Tiefkühlbereich |
|--|---|




Trifft möglicherweise nicht auf alle Modelle zu



*** Optional:** Die Abbildungen in dieser Anleitung dienen lediglich der Veranschaulichung und müssen nicht absolut exakt mit Ihrem Produkt übereinstimmen. Falls Ihr Produkt nicht über die entsprechenden Teile verfügt, betreffen die Informationen andere Modelle.

3.1. Der richtige Aufstellungsort

Wenden Sie sich zur Aufstellung des Gerätes an den autorisierten Kundendienst. Bereiten Sie das Gerät auf die Aufstellung vor, indem Sie die Informationen in der Bedienungsanleitung beachten und sicherstellen, dass Strom- und Wasseranschlüsse wie erforderlich vorhanden sind. Falls nicht, wenden Sie sich zum Nachrüsten an einen Elektriker oder Klempner.

	WARNUNG: Der Hersteller haftet nicht für jegliche Schäden, die durch Arbeiten entstanden sind, die nicht von autorisierten Personen durchgeführt wurden.
	WARNUNG: Bei der Aufstellung muss das Gerät vollständig vom Stromnetz getrennt sein. Andernfalls drohen ernsthafte oder sogar tödliche Verletzungen!
	WARNUNG: Falls das Gerät nicht durch die Tür passt, entfernen Sie die Gerätetür und drehen Sie das Gerät auf die Seite; falls es dennoch nicht passt, wenden Sie sich an den autorisierten Kundendienst.

- Stellen Sie das Gerät auf einem flachen Untergrund auf, damit es weder wackelt noch kippt.
- Stellen Sie das Gerät mindestens 30 cm von Heizungen, Öfen und ähnlichen Wärmequellen auf; halten Sie einen Mindestabstand von 5 cm zu elektrischen Öfen ein.
- Setzen Sie das Gerät keinem direkten Sonnenlicht und keinen feuchten Umgebungen aus.
- Damit das Gerät effizient arbeitet, ist eine angemessene Luftzirkulation erforderlich.
- Falls Sie das Gerät in einer Nische aufstellen, achten Sie darauf, dass mindestens 5 cm zur Decke und zu den Wänden frei bleiben.
- Stellen Sie das Gerät nicht in Umgebungen mit Temperaturen unter -5 °C auf.
- Ihr Produkt benötigt eine ausreichende Luftzirkulation, um effizient zu funktionieren. Wenn das Produkt in eine Nische gestellt wird, denken Sie daran, mindestens 5 cm Abstand zwischen dem Produkt und der Decke, der Rückwand und den Seitenwänden zu lassen.
- Wenn das Produkt in eine Nische gestellt wird, denken Sie daran, mindestens 5 cm Abstand zwischen dem Produkt und der Decke, der Rückwand und den Seitenwänden zu lassen. Prüfen Sie, ob die Rückwand-Abstandsschutzkomponente an ihrem Standort vorhanden ist (falls mit

dem Produkt geliefert). Wenn die Komponente nicht verfügbar ist oder verloren geht oder heruntergefallen ist, positionieren Sie das Produkt so, dass zwischen der Rückseite des Produkts und der Wand des Raums mindestens 5 cm Abstand verbleiben. Der Freiraum an der Rückseite ist wichtig für den effizienten Betrieb des Produkts.

3.2. Kunststoffkeile anbringen

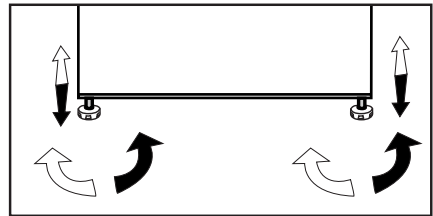
Sorgen Sie zur Gewährleistung einer angemessenen Luftzirkulation mit Hilfe der mitgelieferten Kunststoffkeile für genügend Platz zwischen dem Gerät und der Wand.

1. Zur Befestigung der Keile entfernen Sie die Schrauben am Produkt und verwenden die mit den Keilen gelieferten Schrauben.



2. Befestigen Sie die beiden Kunststoffkeile wie in der Abbildung gezeigt an der Abdeckung der Belüftungsöffnungen.

3.3. FüÙe einstellen

Falls das Produkt nicht exakt in Waage steht, passen Sie die vorderen einstellbaren FüÙe durch Drehen nach rechts oder links an.



3.4. Stromanschluss

	WARNUNG: Verwenden Sie keine Mehrfachsteckdosen oder Verlängerungskabel.
	WARNUNG: Beschädigte Netzkabel müssen vom autorisierten Kundendienst ausgetauscht werden.
	Wenn Sie zwei Kühlgeräte nebeneinander aufstellen, halten Sie einen Mindestabstand von 4 cm zwischen den Geräten ein.

- Unser Unternehmen haftet nicht für jegliche Schäden, die durch eine Inbetriebnahme ohne Erdung oder einen nicht mit nationalen Richtlinien übereinstimmenden Stromanschluss verursacht werden.

- Der Netzstecker muss nach der Installation frei zugänglich bleiben.
- Verwenden Sie zwischen Steckdose und Kühlschrank keine Mehrfachsteckdose mit oder ohne Verlängerungskabel.



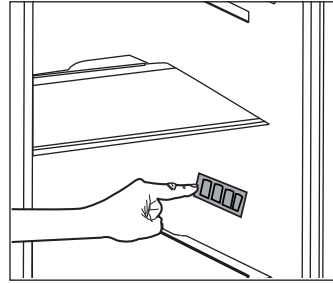
Achtung: Warnung vor heißen Oberflächen
Die Seitenwände Ihres Geräts sind mit Kühlmittelleitungen für ein verbessertes Kühlsystem ausgestattet. Kühlmittel mit hohen Temperaturen können in diesen Bereichen 2der Seitenwände fließen. Das ist normal und erfordert keinerlei Reparatur oder Wartung. Bitte seien Sie vorsichtig, wenn Sie diese Bereiche berühren.

4.1. Maßnahmen zum Energiesparen



Der Anschluss des Gerätes an Energiesparsysteme birgt Risiken, da Schäden am Gerät auftreten können.

- Für ein freistehendes Gerät; „Dieses Kühlgerät darf nicht als Einbaugerät verwendet werden.“
- Gerätetüren nicht längere Zeit offen stehen lassen.
- Keine warmen oder gar heißen Lebensmittel oder Getränke in den Kühlschrank geben.
- Kühlschrank nicht überladen; wird der interne Luftstrom blockiert, verringert sich die Kühlkapazität.
- Damit Sie die maximale Menge Lebensmittel im Kühlbereich Ihres Kühlschranks einlagern können, sollten Sie die oberen Schubladen herausnehmen und auf die Glasablage stellen. Der angegebene Energieverbrauch Ihres Kühlschranks wurde ohne Kühlbereich, Eisablage und obere Schubladen zur Erzielung maximalen Stauraums ermittelt. Beim Einlagern wird die Verwendung der unteren Schublade dringend empfohlen. Für optimalen Energieverbrauch sollte die Energiesparfunktion aktiviert werden.
- Platzieren Sie Lebensmittel nicht vor dem Lüfter, damit die Luftzirkulation nicht blockiert wird. Halten Sie beim Verstauen von Lebensmitteln einen Mindestabstand von 3 cm vor dem Schutzgitter des Lüfters ein.
- Je nach Produktmerkmalen können Sie durch Auftauen gefrorener Lebensmittel im Kühlbereich Energie sparen und die Qualität der Lebensmittel bewahren.
- Lebensmittel sollten zur Gewährleistung eines geringen Energieverbrauchs und zum Schutz der Lebensmittel unter besseren Bedingungen in den Schubladen im Kühlbereich verstaut werden.
- Verpackte Lebensmittel sollten den Wärmesensor im Kühlfach nicht berühren. Andernfalls kann sich der Energieverbrauch des Gerätes erhöhen.
- Achten Sie darauf, dass Lebensmittel nicht den nachstehend beschriebenen Temperatursensor im Kühlbereich berühren.
- Wenn mehrere Optionen vorhanden sind, müssen Glasregale so platziert werden, dass die Luftauslässe an der Rückwand nicht blockiert werden. Vorzugsweise verbleiben Luftauslässe unter dem Glasregal. Diese Kombination kann dazu beitragen, die Luftverteilung und die Energieeffizienz zu verbessern.



- Da bei geöffneten Türen heiße und feuchte Luft nicht direkt in Ihr Produkt eindringt, optimiert sich Ihr Produkt unter ausreichenden Bedingungen zum Schutz Ihrer Lebensmittel. Funktionen und Komponenten wie Kompressor, Gebläse, Heizgerät, Abtaufunktion, Beleuchtung, Anzeige usw. arbeiten entsprechend den Anforderungen, um unter diesen Bedingungen minimale Energie zu verbrauchen.

4.2. Erste Inbetriebnahme

Stellen Sie vor Inbetriebnahme Ihres Kühlschranks sicher, dass die erforderlichen Vorbereitungen entsprechend den Anweisungen in den Abschnitten „Hinweise zu Sicherheit und Umwelt“ und „Installation“ getroffen wurden.

- Lassen Sie den Kühlschrank etwa 6 Stunden lang leer arbeiten; verzichten Sie in dieser Zeit möglichst vollständig auf das Öffnen der Türen.



Beim Anspringen des Kompressors sind Geräusche zu hören. Es ist normal, dass das Gerät auch bei inaktivem Kompressor Geräusche macht; diese werden durch komprimierte Flüssigkeiten und Gase im Kühlsystem verursacht.



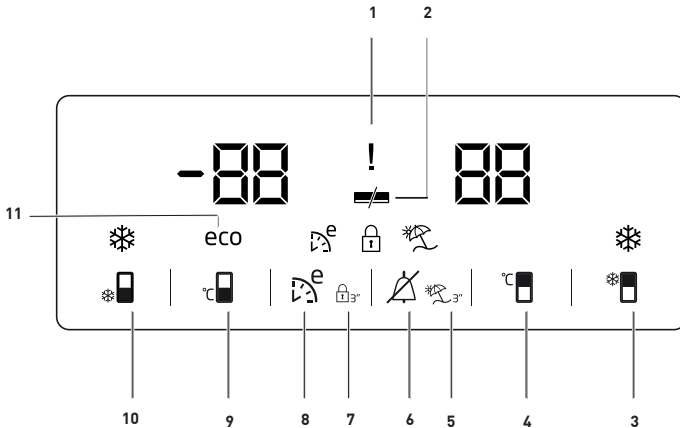
Die Vorderkanten des Kühlschranks können sich etwas erwärmen. Dies ist völlig normal. Diese Bereiche wärmen sich etwas auf, damit sich kein Kondenswasser bildet.



Bei einigen Modellen verdunkelt sich das Anzeigefeld automatisch 5 Minuten nach Schließen der Tür. Beim Öffnen der Tür oder bei Betätigung einer Taste wird es wieder aktiviert.

5.1. Anzeigefeld

Das Anzeigefeld ermöglicht Ihnen die Einstellung der Temperatur und die Steuerung anderer Funktionen, ohne dass Sie die Tür des Geräts öffnen müssen. Drücken Sie einfach die die Inschriften auf den entsprechenden Tasten zur Funktionseinstellung.



1. Stromausfall / Hohe Temperatur / Fehlerstatusanzeige

Diese Anzeige (!) leuchtet bei Stromausfall, hohen Temperaturen und Fehlerwarnungen.

Wenn die Temperatur des Gefrierfachs auf ein für die Tiefkühlkost kritisches Niveau erwärmt wird, blinkt der von der Gefrierfachtemperatur erreichte Maximalwert auf der Digitalanzeige.

Kontrollieren Sie die Lebensmittel im Gefrierfach.

Dies ist keine Fehlfunktion. Die Warnung kann durch Drücken einer beliebigen Taste oder durch Drücken der Hochtemperaturalarm Aus-Taste gelöscht werden. (Das Abbrechen durch Drücken einer beliebigen Taste gilt nicht für jedes Modell.)

Diese Anzeige (!) leuchtet auch, wenn ein Sensorfehler auftritt. Wenn diese Anzeige leuchtet, werden alternativ auf der Temperaturanzeige „E“ und Zahlen wie „1,2,3 ...“ angezeigt. Diese Zahlen auf der Anzeige informieren das Servicepersonal über den Fehler.

2. Energiesparfunktion (Display aus):

Falls die Gerätetüren lange Zeit geschlossen bleiben, wird die Energiesparfunktion automatisch aktiviert und das Energiesparsymbol leuchtet. (☸)

Bei aktiver Energiesparfunktion erlöschen sämtliche Display-Symbole mit Ausnahme des Energiesparsymbols. Die Energiesparfunktion wird aufgehoben, sobald Tasten betätigt werden oder die Tür geöffnet wird. Das Display zeigt wieder die normalen Symbole.

Die Energiesparfunktion wird während der Lieferung ab Werk aktiviert und kann nicht aufgehoben werden.

3. Schnellkühlfunktion

Diese Taste erfüllt zwei Funktionen. Zum Ein- und Ausschalten der Schnellkühlfunktion drücken Sie die Taste einmal kurz. Die Schnellkühlanzeige erlischt, der Kühlschrank arbeitet wieder mit normalen Einstellungen.






Die Schnellkühlfunktion nutzen Sie, wenn Sie Lebensmittel im Kühlbereich besonders schnell abkühlen möchten. Wenn Sie große Mengen frischer Lebensmittel kühlen möchten, sollten Sie diese Funktion vor dem Einlagern der Lebensmittel einschalten.

Trifft möglicherweise nicht auf alle Modelle zu




* **Optional:** Die Abbildungen in dieser Anleitung dienen lediglich der Veranschaulichung und müssen nicht absolut exakt mit Ihrem Produkt übereinstimmen. Falls Ihr Produkt nicht über die entsprechenden Teile verfügt, betreffen die Informationen andere Modelle.



Produkt verwenden

	Sofern Sie diese Funktion nicht vorzeitig abschalten, wird das Schnellkühlen beendet, sobald die nötige Temperatur erreicht ist, spätestens jedoch nach 1 Stunden.
	Sollten Sie die Schnellkühltaste mehrmals innerhalb kurzer Zeit drücken, greift eine elektronische Schutzschaltung ein und sorgt dafür, dass der Kompressor nicht sofort anläuft.
	Diese Funktion wird nach einem Stromausfall nicht automatisch wieder eingeschaltet.

4. Kühlbereichstemperatur-Einstelltaste

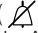
Durch mehrmaliges Drücken dieser Taste stellen Sie die Kühlbereichstemperatur auf 8, 7, 6, 5, 4, 3, 2, 1, 8, ... ein. Stellen Sie den Kühlbereich mit dieser Taste auf die gewünschte Temperatur ein. 

5. Urlaubsfunktion

Um die Urlaubsfunktion zu aktivieren, drücken Sie diese Taste () für 3 Sekunden und die Urlaubsfunktionsanzeige () wird aktiviert. Wenn die Urlaubsfunktion aktiv ist, erscheint „-“ in der Kühlbereichstemperaturanzeige; der Kühlbereich wird nun nicht mehr aktiv gekühlt. Wenn diese Funktion aktiv ist, sollten keine Lebensmittel im Kühlbereich aufbewahrt werden. Andere Bereiche werden entsprechend der eingestellten Temperatur weiterhin gekühlt.

Zum Aufheben dieser Funktion drücken Sie die Urlaubsfunktions-taste noch einmal.

6. Beendigung der Hochtemperaturwarnung:

Im Falle eines Stromausfalls/einer Hochtemperaturwarnung können Sie die Warnung () löschen, indem Sie eine beliebige Taste auf der Anzeige oder die Hochtemperaturalarm Aus-Taste.1 Sekunde lang drücken, nachdem Sie die Lebensmittel im Gefrierfach kontrolliert haben.

Hinweis: Das Abbrechen durch Drücken einer beliebigen Taste gilt nicht für jedes Modell.

7. Tastensperre


Halten Sie die Tastensperre-Taste () 3 Sekunden lang gedrückt. Tastensperre-Symbol

() leuchtet auf, die Tastensperre ist aktiv. Bei aktiver Tastensperre reagiert das Gerät nicht auf Tastenbetätigungen. Halten Sie die Tastensperre-

Taste noch einmal 3 Sekunden lang gedrückt. Das Tastensperre-Symbol erlischt, die Tastensperre wird abgeschaltet.

Drücken Sie die Taste **Tastensperre**, wenn Sie eine Änderung der Temperatureinstellung des Kühlschranks verhindern wollen ()


8. Öko-Fuzzy

Drücken und halten Sie die Öko-Fuzzy-Taste zum Aktivieren der Öko-Fuzzy-Funktion 1 Sekunden. Spätestens sechs Stunden später arbeitet Ihr Kühlgerät besonders ökonomisch; die Energiesparanzeige leuchtet ()


Drücken und halten Sie die Öko-Fuzzy-Taste zum Deaktivieren der Öko-Fuzzy-Funktion 3 Sekunden.

Diese Anzeige leuchtet nach 6 Stunden auf, wenn Öko-Fuzzy aktiv ist.




9. Tiefkühlbereichstemperatur-Einstelltaste

Durch mehrmaliges Drücken dieser Taste stellen Sie die Tiefkühlbereichstemperatur auf -18 °, -19 °, -20 °, -21 °, -22 °, -23 °, -24 °, -18 °C, ... ein. Mit dieser Taste stellen Sie die gewünschte Temperatur des Tiefkühlbereiches ein. 

10. Schnellgefrier-taste/Eisbereiter-ein/aus-Taste

Mit dieser Taste schalten Sie die Schnellgefrierfunktion ein und aus. Wenn diese Funktionen aktiv ist, wird der Tiefkühlbereich besonders stark (über die eingestellte Temperatur hinaus) gekühlt. 

Zum Ein- und Ausschalten des Eisbereiters halten Sie die Taste 3 Sekunden lang gedrückt.

	Die Schnellgefrierfunktion nutzen Sie, wenn Sie die Lebensmittel im Tiefkühlbereich besonders schnell abkühlen möchten. Wenn Sie große Mengen frischer Lebensmittel kühlen möchten, sollten Sie diese Funktion vor dem Einlagern der Lebensmittel einschalten.
	Sofern Sie diese Funktion nicht vorzeitig abschalten, wird das Schnellgefrieren beendet, sobald die nötige Temperatur erreicht ist, spätestens jedoch nach 24 Stunden.
	Diese Funktion wird nach einem Stromausfall nicht automatisch wieder eingeschaltet.

Produkt verwenden

11. Energiesparanzeige

Zeigt an, dass das Gerät besonders energiesparend arbeitet. (eco) Diese Anzeige leuchtet auf, wenn die Temperatur des Tiefkühlbereiches auf $-18\text{ }^{\circ}\text{C}$ eingestellt ist oder das Gerät mit der Öko-Extra-Funktion besonders ökonomisch arbeitet.

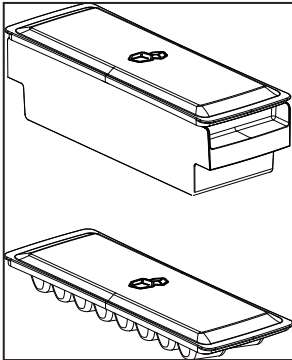


Die Energiesparanzeige erlischt, wenn Sie Schnellkühlen oder Schnellgefrieren zuschalten.

5.2. Eisbehälter

(optional)

- Nehmen Sie den Eisbehälter aus dem Tiefkühlbereich.
- Füllen Sie den Eisbehälter mit Trinkwasser.
- Geben Sie den Eisbehälter in den Tiefkühlbereich.
- Das Eis ist nach etwa zwei Stunden fertig. Nehmen Sie den Eisbehälter aus dem Tiefkühlbereich und biegen Sie ihn leicht über dem Gefäß, das Sie servieren möchten. Das Eis gelangt in den Behälter.



5.3. Eierhalter

Sie können den Eierhalter in der Tür oder auf der Ablage Ihrer Wahl platzieren. Falls Sie sich für die Ablagen entscheiden, sollten Sie tiefer gelegene Ablagen wählen, da es dort kühler ist.

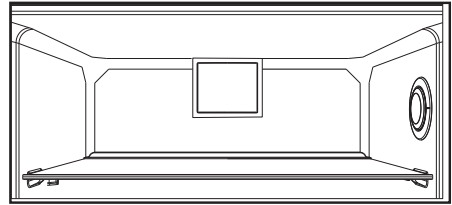


Geben Sie den Eierhalter nicht in den Tiefkühlbereich.

5.4. Lüfter

Der Lüfter wurde dazu entwickelt, die kalte Luft im Inneren Ihres Kühlschranks gleichmäßig zu verteilen. Je nach Modell und Bedarf arbeitet der Lüfter auf unterschiedliche Weise.

Während der Lüfter in einigen Produkten nur mit einem Kompressor arbeitet, ermittelt in anderen Modellen ein Kontrollsystem die Betriebszeit basierend auf den Kühlanforderungen.



5.5. Gemüsefach

(optional)

Das Gemüsefach des Produktes ist darauf ausgelegt, Gemüse durch Bewahren der Feuchtigkeit frisch zu halten. Aus diesem Grund wird die Gesamtzirkulation kalter Luft im Gemüsefach intensiviert.

5.6. 0-Grad-Fach

(optional)

Bewahren Sie in diesem Bereich Feinkost bei geringeren Temperaturen oder schnell verderbliche Fleischprodukte auf.

Das 0-Grad-Fach ist der kälteste Bereich, in dem Sie Lebensmittel, wie Milchprodukte, Fleisch, Fisch und Geflügel, bei idealen Lagerungsbedingungen aufbewahren können. Gemüse und/oder Obst gehören nicht in dieses Fach.

Produkt verwenden

5.7. Das zweite Gemüsefach des Produktes verwenden

Abbildung 1.



Wie abgebildet gibt es im zweiten Gemüsefach des Produktmodells K70560 2 Stopper.



Abbildung 2.

Das zweite Gemüsefach sieht im geschlossenen Zustand wie in Abbildung 2 aus.



Abbildung 3.

Ziehen Sie das zweite Gemüsefach wie in Abbildung 3 gezeigt bis zum ersten Stopper, wenn die Tür um 90 Grad geöffnet ist.

Falls die Schublade weiter geöffnet ist, öffnen Sie zunächst die Tür um mindestens 135 Grad. Anschließend heben Sie das zweite Gemüsefach wie in Abbildung 4 gezeigt um etwa 5 mm an, sodass es vom ersten Stopper befreit wird.



Abbildung 4.

Ziehen Sie die zweite Schublade nach dem Anheben wie in Abbildung 5 gezeigt bis zum zweiten Stopper nach oben.



Abbildung 5.

Produkt verwenden

5.8. Bewegliche Türablage

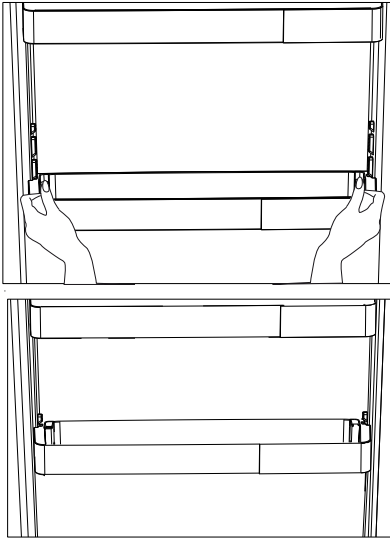
(optional)

Die bewegliche Türablage kann in 3 verschiedenen Positionen fixiert werden.

Zum Bewegen der Ablage drücken Sie die Tasten an der Seite gleichmäßig. Die Ablage wird beweglich.

Bewegen Sie die Ablage nach oben oder unten.

Wenn sich die Ablage in der gewünschten Position befindet, lassen Sie die Tasten los. Die Ablage wird wieder in der Position fixiert, in der Sie die Tasten losgelassen haben.

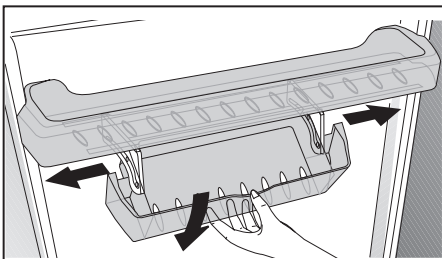


5.9. Verschiebbarer Vorratsbehälter

(optional)

Dieses Zubehör ist so konstruiert, dass das Volumen der Türablagen vergrößert wird.

Dank seiner Fähigkeit zur Seitwärtsbewegung können Sie mühelos lange Flaschen, Gläser oder Kartons im Flaschenhalter darunter verstauen.



5.10. HerbBox/HerbFresh

Das Foliengehäuse vom HerbBox/HerbFresh+ entfernen.

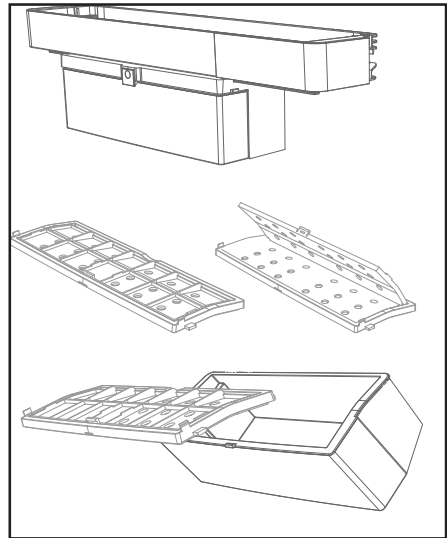
Nehmen Sie die Folie aus dem Beutel und legen Sie es wie auf der Abbildung angezeigt in das Foliengehäuse.

Schließen Sie das Gehäuse und legen Sie es wieder in die HerbBox/HerbFresh+.

Die HerbBox-HerbFresh+ Fächer sind besonders ideal für Kräuter, die in empfindlichen Bedingungen aufbewahrt werden müssen.

Ihr Grünzeug (Petersilie, Dill, usw.), das aus seinem Beutel ausgepackt wurde, können Sie in diesem Fach in horizontaler Position länger frisch aufbewahren.

Die Schicht wird alle sechs Monate ausgetauscht.



Produkt verwenden

5.11. Feuchtigkeitskontrolliertes Gemüsefach

(optional)

Dank der Feuchtigkeitsregelung bleibt der Feuchtigkeitsgehalt von Gemüse und Obst unter Kontrolle, die Lebensmittel bleiben länger frisch.

Es wird empfohlen, Blattgemüse, wie Salat, Spinat und dergleichen, das zu Feuchtigkeitsverlust neigt, nicht auf den Wurzeln, sondern nach Möglichkeit in horizontaler Position im Gemüsefach aufzubewahren.

Beim Einlagern von Gemüse platzieren Sie schweres, hartes Gemüse im unteren Bereich und leichtes, weiches Gemüse darüber; achten Sie auf das jeweilige Gewicht der Lebensmittel.

Lassen Sie Gemüse nicht in Plastikbeuteln im Gemüsefach. Bleibt das Gemüse in Plastikbeuteln, kann es in kurzer Zeit verderben. Falls Kontakt mit anderem Gemüse vermieden werden soll, sollten Sie Verpackungsmaterialien wie Papier verwenden, die eine bestimmte Durchlässigkeit in Sachen Hygiene aufweisen.

Geben Sie Obst mit einer hohen Ethylenfreisetzung, wie Birnen, Aprikosen, Pfirsiche und bestimmte Apfelsorten, nicht mit anderem Obst und Gemüse in das Gemüsefach. Das von solchen Früchten freigesetzte Ethylen kann dazu führen, dass anderes Obst und Gemüse in kurzer Zeit reift und verdirbt.

5.12. Automatischer Eisbereiter

(optional)

Der automatische Eisbereiter ermöglicht Ihnen die einfache Bereitung von Eis in Ihrem Kühlschrank. Damit Sie Eis vom Eisbereiter erhalten, nehmen Sie den Wassertank aus dem Kühlbereich, füllen ihn mit Wasser und setzen ihn wieder ein.

Nach etwa zwei Stunden liegen die ersten Eiswürfel in der Eisbereiter-Schublade im Kühlbereich für Sie bereit.

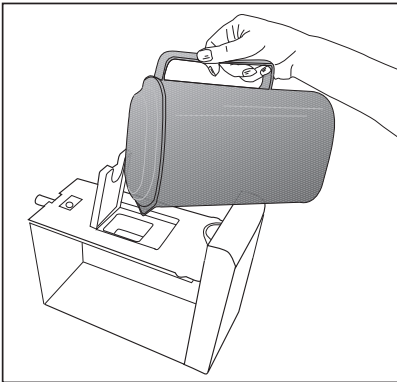
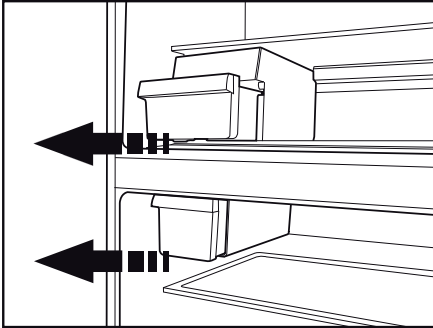
Nach Einsetzen des vollen Wassertanks erhalten Sie 60 bis 70 Eiswürfel, bis er vollständig leer ist.

Wenn das Wasser 2 bis 3 Wochen im Tank war, sollte es ausgewechselt werden.

Produkt verwenden



In Produkten mit automatischem Eisbereiter hören Sie möglicherweise einen Ton beim Ausgießen von Eis. Dieser Ton ist völlig normal und keine Zeichen für einen Fehler.



5.13. Eisbereiter und Eisbehälter (optional)

Eisbereiter verwenden

Füllen Sie den Eisbereiter mit Wasser, setzen Sie ihn in seine Halterung. Ihr Eis ist nach etwa zwei Stunden fertig. Zum Entnehmen des Eises nehmen Sie den Eisbereiter nicht heraus.

Drehen Sie die Knöpfe daran um 90 ° im Uhrzeigersinn.

Die Eiswürfel fallen in den darunter liegenden Eiswürfelbehälter.

Sie können den Eisbehälter zum Servieren der Eiswürfel herausnehmen.

Wenn Sie möchten, können Sie das Eis auch im Eisbehälter aufbewahren.

Eisbehälter

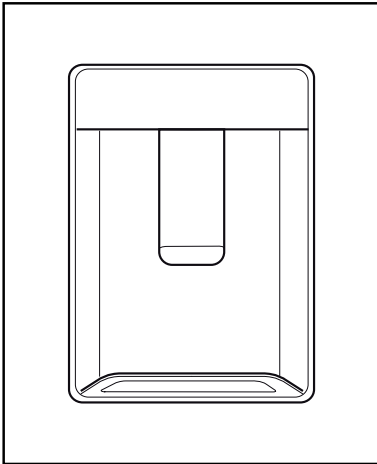
Der Eisbehälter dient ausschließlich zum Sammeln der Eiswürfel. Füllen Sie kein Wasser ein. Der Behälter wird sonst platzen.

Produkt verwenden

5.14. Wasserspender

(bei bestimmten Modellen)

Der Wasserspender ist eine praktische Einrichtung, mit der Sie kühles Wasser zapfen können, ohne dabei die Tür Ihres Kühlschranks öffnen zu müssen. Da Sie die Tür des Gerätes nicht häufig öffnen müssen, sparen Sie eine Menge Energie.



5.15. So benutzen Sie den Wasserspender

Drücken Sie mit dem Glas gegen den Hebel des Wasserspenders. Die Wasserausgabe stoppt, sobald der Hebel losgelassen wird.

Den schnellsten Durchfluss erreichen Sie, wenn Sie den Hebel komplett eindrücken. Denken Sie daran, dass die Stärke des Wasserdurchflusses davon abhängt, wie weit der Hebel eingedrückt wird.

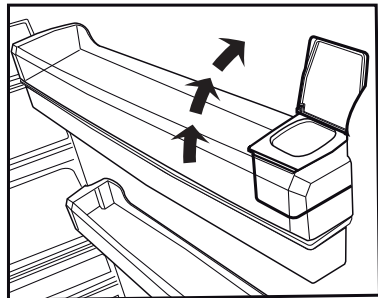
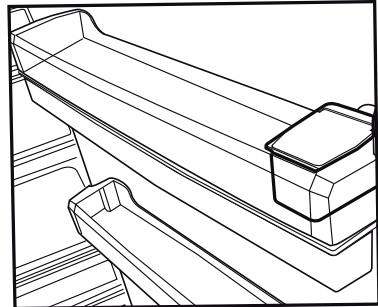
Geben Sie den Hebel langsam wieder frei, sobald das Glas fast vollständig gefüllt ist, damit nichts überläuft. Das Wasser tritt nur tropfenweise aus, wenn Sie den Hebel nur leicht betätigen; dies ist völlig normal.

Wasserbehälter füllen

Der Wassertank befindet sich an der Innenseite der Türablage. Öffnen Sie die Abdeckung des Behälters, füllen Sie Trinkwasser ein. Schließen Sie anschließend den Deckel.

Warnung!

- Füllen Sie den Wassertank nur mit sauberem Trinkwasser, nicht mit anderen Flüssigkeiten gleich welcher Art. Falls andere Flüssigkeiten eingefüllt werden, kann der Wasserspender irreparabel beschädigt werden. Solche



Beschädigungen werden nicht durch die Garantie abgedeckt. Viele Flüssigkeiten und Getränke enthalten Zusätze, die das Material des Wassertanks angreifen können.

- Nutzen Sie ausschließlich klares Trinkwasser.
- Die Kapazität des Wassertanks beträgt 3 Liter; füllen Sie nicht mehr hinein.
- Drücken Sie mit einem haltbaren Glas gegen den Hebel des Wasserspenders. Falls Sie Einwegbecher verwenden, betätigen Sie den Hebel mit dem Finger.

5.16. Wassertank reinigen

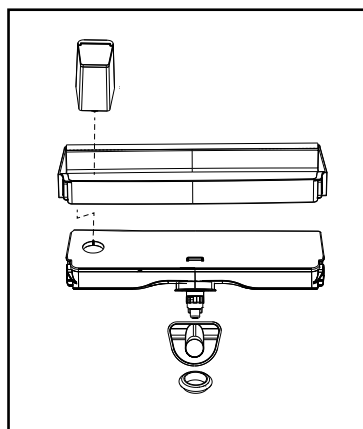
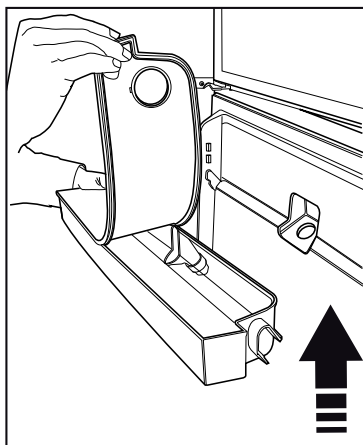
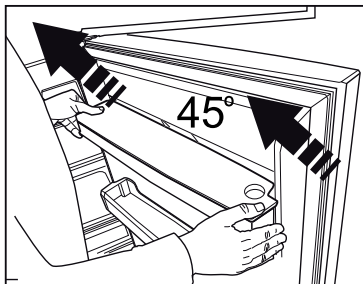
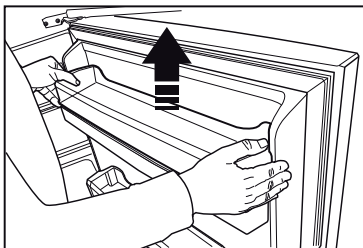
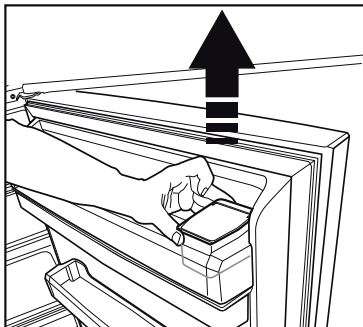
- Entfernen Sie den Füllbehälter auf der Innenseite der Türablage.
- Entfernen Sie die Türablage, indem Sie diese an beiden Seiten greifen.

Produkt verwenden

- Greifen Sie den Wassertank an beiden Seiten und entfernen ihn in einem Winkel von 45 ° C.
- Öffnen Sie die Abdeckung und reinigen den Wassertank.

Wichtig:

Die Komponenten des Wasserspenders und des Wassertanks sollten nicht in der Spülmaschine gereinigt werden.



Produkt verwenden

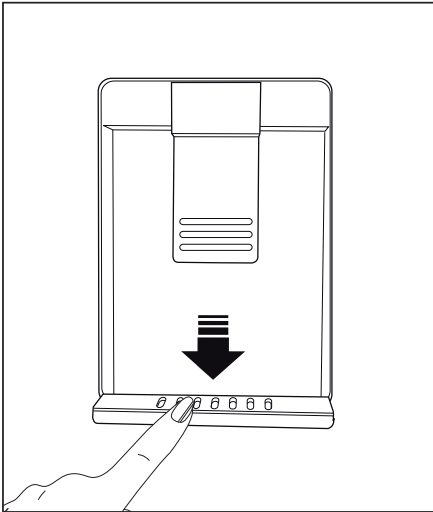
5.17. Tropfschale

Wasser, das bei der Nutzung des Wasserspenders heruntertropft, sammelt sich in der Tropfschale.

Nehmen Sie das Kunststoffsieb wie in der Abbildung gezeigt heraus.

Entfernen Sie angesammeltes Wasser mit einem sauberen, trockenen Tuch.

Achtung: Nur an Trinkwasserleitungen anschließen.



Produkt verwenden

5.18. Frische Lebensmittel tiefkühlen

- Zur Gewährleistung der Lebensmittelqualität müssen im Tiefkühlbereich gelagerte Lebensmittel so schnell wie möglich eingefroren werden; nutzen Sie dazu die Schnellgefrierfunktion.
- Das Einfrieren frischer Lebensmittel verlängert die Aufbewahrungsdauer im Tiefkühlbereich.
- Verpacken Sie Lebensmittel in sicher verschlossenen luftdichten Behältern.
- Stellen Sie sicher, dass die Lebensmittel verpackt sind, bevor Sie sie in den Tiefkühlbereich geben. Verwenden Sie statt herkömmlichen Packpapiers tiefkühlgeeignete Behälter, Alufolie und feuchtigkeitsbeständiges Papier, Plastikbeutel oder ähnliche Verpackungsmaterialien.



Eis im Tiefkühlbereich taut automatisch.

- Beschriften Sie die Behälter vor dem Einfrieren mit dem Datum. Dadurch können Sie beim Öffnen des Tiefkühlbereichs stets die Frische der verpackten Lebensmittel prüfen. Bewahren Sie ältere Lebensmittel weiter vorne auf, damit sie zuerst verbraucht werden.
- Gefrorene Lebensmittel müssen unmittelbar nach dem Auftauen verbraucht und dürfen nicht wieder eingefroren werden.

- Frieren Sie nicht zu große Mengen auf einmal

5.19. Empfehlungen zur Lagerung gefrorener Lebensmittel

Der Bereich muss auf mindestens -18 °C eingestellt sein.

1. Geben Sie Lebensmittel so schnell wie möglich in den Tiefkühlbereich, damit sie nicht auftauen.
2. Prüfen Sie vor dem Einfrieren, ob das Verfallsdatum auf der Verpackung bereits abgelaufen ist.
3. Stellen Sie sicher, dass die Lebensmittelverpackung nicht beschädigt ist.

5.20. Hinweise zum Tiefkühlbereich

Gemäß den Standards IEC 62552 muss der Tiefkühlbereich über die Kapazität verfügen, 4,5 kg Lebensmittel bei -18 °C oder geringeren Temperaturen je 100 Liter Volumen des Tiefkühlbereichs in 24 Stunden einzufrieren. Lebensmittel können nur bei Temperaturen von -18 °C und darunter längere Zeit aufbewahrt werden. Sie können Lebensmittel monatelang frisch halten (im Tiefkühlbereich bei oder unter 18 °C). Lebensmittel, die eingefroren werden sollen, dürfen keine bereits eingefrorenen Lebensmittel berühren, da diese andernfalls antauen könnten. Gekochtes Gemüse und gefiltertes Wasser können länger im Tiefkühlbereich aufbewahrt werden. Geben

Tiefkühlbereich temperatureinstellung	Kühlbereich temperatureinstellung	Details
-18 °C	4 °C	Dies ist die allgemein empfohlene Einstellung.
-20 °C, -22 °C oder -24 °C	4 °C	Diese Einstellungen empfehlen wir bei Umgebungstemperaturen über 30 °C.
Schnellgefrieren	4 °C	Diese Funktion nutzen Sie zum Einfrieren von Lebensmitteln in kurzer Zeit. Wenn der Vorgang endet, nimmt das Produkt wieder seine Position ein.
-18 °C und kälter	2 °C	Nutzen Sie diese Einstellungen, falls Sie meinen, dass der Kühlbereich aufgrund der Umgebungstemperatur oder zu häufigen Öffnens und Schließens der Tür nicht kalt genug wird.

Produkt verwenden

Sie die Lebensmittel nach dem Filtern in luftdichten Verpackungen in den Tiefkühlbereich. Bananen, Tomaten, Salat, Sellerie, gekochte Eier, Kartoffeln und ähnliche Lebensmittel sollten nicht eingefroren werden. Falls diese Lebensmittel verderben, werden nur Nährwert und Geschmack negativ beeinträchtigt. Es besteht keine Gefahr für die menschliche Gesundheit.

5.21. Lebensmittel einlagern

Tiefkühlbereich-Ablagen	Unterschiedliche gefrorene Lebensmittel wie Fleisch, Fisch, Speiseeis, Gemüse etc.
Kühlbereich-Ablagen	Lebensmittel in Töpfen, auf abgedeckten Tellern und in bedeckten Behältern, Eier (in abgedecktem Behälter)
Kühlbereich-Türablagen	Kleine und verpackte Lebensmittel oder Getränke
Gemüsefach	Obst und Gemüse
Frischlebensmittelbereich	Feinkost (Frühstücksprodukte, schnell verderbliche Fleischprodukte)

5.22. Tür-offen-Alarm

(optional)

Wenn die Gerätetür mindestens 1 Minute offen bleibt, wird ein akustischer Alarm ausgegeben. Dieser akustische Alarm verstummt, sobald Sie die Tür schließen oder eine beliebige Taste am Display (sofern vorhanden) drücken.

Der Tür-offen-Alarm wird sowohl akustisch als auch visuell ausgegeben. Die Innenbeleuchtung schaltet sich aus, wenn die Warnung 10 Minuten lang anhält.

5.23. Wechseln des Türanschlags

Sie können den Türanschlag Ihres Kühlschranks je nach Aufstellungsort wechseln. Wenden Sie sich in diesem Fall an den autorisierten Kundendienst in Ihrer Nähe.

Die obige Erklärung ist allgemeiner Natur. Sie sollten das Warnschild in der Produktverpackung auf Möglichkeit zum Wechseln des Türanschlags prüfen.

5.24. Innenbeleuchtung

Die Innenbeleuchtung nutzt eine LED-Lampe. Wenden Sie sich bei jeglichen Problemen mit dieser Lampe an den autorisierten Kundendienst.

Die in diesem Gerät verwendete(n) Lampe(n) können nicht zur Raumbelichtung verwendet werden. Der vorgesehene Zweck dieser Lampe dient dem sicheren und komfortablen Einlagern von Lebensmitteln im Kühl- / Tiefkühlbereich.

5.25. Blaues Licht/HarvestFresh

***Möglicherweise nicht in allen Modellen verfügbar**

Für das blaue Licht,

Obst und Gemüse, die im Gemüsefach gelagert werden, das mit blaues Licht beleuchtet wird, setzen ihre Photosynthese durch den Wellenlängeneffekt des blauen Lichts fort und bewahren so ihren Vitamingehalt.

Für HarvestFresh,

Obst und Gemüse, im Gemüsefach gelagert werden, das mit der HarvestFresh-Technologie beleuchtet wird, bewahren ihren Vitamingehalt länger dank der blauen, grünen, roten Lichter und dunklen Zyklen, die einen Tageszyklus simulieren.

Wenn Sie die Kühlschranktür während der Dunkelumlaufzeit der HarvestFresh-Technologie öffnen, erkennt der Kühlschrank dies automatisch und ermöglicht es dem blaugrünen oder roten Licht, das Gemüsefach für Ihre Bequemlichkeit zu beleuchten. Nachdem Sie die Kühlschranktür geschlossen haben, wird die Dunkelumlaufzeit fortgesetzt, was die Nachtzeit in einem Tageszyklus darstellt.

5.26. Der Milchbehälter (Kühlagerung)

Sorgt für eine niedrigere Temperatur im Kühlschrankfach. Verwenden Sie diesen Behälter, um Delikatessen (Salami, Würstchen, Milchprodukte usw.) aufzubewahren, die eine niedrigere Lagertemperatur erfordern, oder Fleisch-, Hühner- oder Fischprodukte für den sofortigen Verzehr. Bewahren Sie kein Obst und Gemüse in diesem Behälter auf.

Die Einsatzdauer des Produktes verlängert sich und häufige Probleme lassen nach, wenn das Produkt regelmäßig gereinigt wird.



WARNUNG: Schalten Sie das Gerät ab, bevor Sie es reinigen.



WARNUNG: Es wird empfohlen, den Kondensator alle sechs Monate mit Handschuhen zu reinigen. Sie dürfen keine Staubsauger verwenden.

- Verwenden Sie zu Reinigungszwecken niemals Benzin oder ähnliche Substanzen.
- Verwenden Sie zur Reinigung niemals scharfe Gegenstände, Seife, Haushaltsreiniger, Waschmittel oder Wachspolituren.
- Lösen Sie einen Teelöffel Natron in einem halben Liter Wasser auf. Tränken Sie ein Tuch mit der Lösung, wringen Sie das Tuch gut aus. Waschen Sie die Innenflächen des Kühlschranks gründlich mit diesem Tuch ab; anschließend gut trocknen.
- Achten Sie darauf, dass kein Wasser in das Lampengehäuse oder in andere elektrische Komponenten eindringt.
- Falls Sie den Kühlschrank längere Zeit nicht benutzen, ziehen Sie den Netzstecker, nehmen sämtliche Lebensmittel heraus, reinigen das Gerät und lassen die Tür offen stehen.
- Prüfen Sie die Türdichtungen regelmäßig auf Sauberkeit. Bei Bedarf reinigen.
- Nehmen Sie zum Entfernen der Tür- und Gehäuseablagen alle Gegenstände aus dem Produkt heraus.
- Ziehen Sie die Türablagen nach oben heraus. Setzen Sie die Ablagen nach der Reinigung wieder ein, indem Sie sie nach unten schieben.
- Reinigen Sie Außenflächen und verchromte Teile des Produktes niemals mit chlorhaltigen Reinigern oder Wasser. Chlor greift Metalloberflächen an.
- Bei Geräten ohne No-Frost-Einrichtung können Wassertropfen entstehen und sich mit der Zeit bis zu fingerbreite Eisschichten an Rückwand und Seiten des Tiefkühlfachs bilden. Niemals reinigen; niemals Öl oder andere Substanzen aufbringen.

- Verwenden Sie nur ein leicht angefeuchtetes Mikrofaserstuch zum Reinigen der Geräteaußenflächen. Scheuerschwämme oder grobe Reinigungstücher könnten die Oberflächen verkratzen.

6.1. Unangenehme Gerüche verhindern

Bei der Herstellung Ihres Kühlschranks wurde darauf geachtet, dass keine Materialien verwendet werden, die unangenehme Gerüche verursachen können. Allerdings können Gerüche abgesondert werden, wenn Lebensmittel falsch aufbewahrt werden oder die Innenseite des Gerätes nicht wie erforderlich gereinigt wird. Dieses Problem können Sie mit folgenden Hinweisen vermeiden:

- Es ist wichtig, das Kühlschrank sauber zu halten. Lebensmittelreste, Verschmutzungen usw. können Gerüche verursachen. Reinigen Sie den Kühlschrank daher alle 15 Tage mit etwas in Wasser aufgelöstem Natron. Verzichten Sie grundsätzlich auf Reinigungsmittel und Seifen.
- Bewahren Sie Ihre Lebensmittel in geschlossenen Behältern auf. Mikroorganismen aus Behältern ohne Deckel können unangenehme Gerüche verursachen.
- Bewahren Sie keine abgelaufenen oder verdorbenen Lebensmittel in Ihrem Kühlschrank auf.

6.2. Kunststoffflächen schützen

Geben Sie keine Öle oder stark fettthaltige Speisen offen in Ihren Kühlschrank – dadurch können die Kunststoffflächen angegriffen werden. Sollten Kunststoffteile einmal mit Öl in Berührung kommen, reinigen Sie die entsprechenden Stellen möglichst sofort mit warmem Wasser.

6.3. Innenfläche reinigen

Reinigen Sie die Innenflächen und alle herausnehmbaren Teile mit einer milden Lösung aus Seife, Wasser und Karbonat. Gründlich abspülen und abtrocknen. Achten Sie darauf, dass Wasser nicht mit Leuchtmitteln und Bedienfeld in Berührung kommt.



ACHTUNG:

Reinigen Sie die Innenflächen nicht mit Essig, Reinigungsalkohol oder anderen alkoholbasierten Reinigern.

6.4. Edelstahl-Außenflächen

Verwenden Sie einen nicht scheuernden Edelstahl-Reiniger und tragen Sie ihn auf ein fusselfreies, weiches Tuch auf. Zum Polieren wischen Sie die Oberfläche vorsichtig mit einem feuchten Mikrofasertuch und einem trockenen Fensterleder ab. Folgen Sie immer den Strängen des Edelstahls.

6.5. Produkte mit Glastüren reinigen

Entfernen Sie die Schutzfolie von den Scheiben. Die Oberfläche der Scheiben ist beschichtet. Diese Beschichtung minimiert Fleckenbildung und sorgt dafür, dass sich Flecken und Schmutz leicht entfernen lassen. Auf Scheiben, die nicht durch eine Beschichtung geschützt sind, können sich dauerhaft organische oder anorganische in Luft oder Wasser befindliche Verunreinigungen, wie Kalk, Mineralsalze, unverbrannte Kohlenwasserstoffe, Metalloxide und Silikone, ablagern, die innerhalb kurzer Zeit zu Flecken und Materialschäden führen. Trotz regelmäßiger Reinigung lässt sich das Glas nur mit großer Mühe sauber halten. Dadurch lassen Klarheit und Aussehen der Scheiben nach. Aggressive und scheuernde Reinigungsmittel und Methoden verstärken diese Mängel weiter und beschleunigen den Verschleiß.

*Verwenden Sie zur regelmäßigen Reinigung Mittel auf Wasserbasis, die weder alkalisch noch scheuernd sind. Damit die Beschichtung lange hält, dürfen während der Reinigung keine alkalischen oder scheuernden Substanzen zum Einsatz kommen.

Die Scheiben wurden zur Erhöhung ihrer Stoß- und Bruchfestigkeit gehärtet.

Als zusätzliche Sicherheitsmaßnahme befindet sich auf der Rückseite der Scheiben eine Sicherheitsfolie, damit das Glas keine Schäden im Umfeld anrichtet, falls es bricht.

Bitte arbeiten Sie diese Liste durch, bevor Sie sich an den Kundendienst wenden. Das kann Ihnen Zeit und Geld sparen. Diese Liste enthält häufig aufgetretene Probleme, die nicht auf Material- oder Verarbeitungsfehler zurückzuführen sind. Nicht alle hier beschriebenen Funktionen sind bei jedem Modell verfügbar.

Der Kühlschrank schaltet sich nicht ein.

- Möglicherweise ist er nicht richtig angeschlossen. >>> Schließen Sie das Gerät richtig an.
- Die entsprechende Haussicherung ist herausgesprungen oder durchgebrannt. >>> Prüfen Sie die Sicherung.

Kondensation an den Seitenwänden des Kühlbereiches (Multizone, Kühlkontrolle und FlexiZone).

- Die Tür wurde häufig geöffnet/geschlossen. >>> Verzichten Sie auf häufiges Öffnen/Schließen der Kühlschranktür.
- Die Umgebung könnte zu feucht sein. >>> Installieren Sie das Kühlschrank nicht an sehr feuchten Orten.
- Lebensmittel mit hohem Feuchtigkeitsgehalt wurden in Behältern ohne Deckel in den Kühlschrank gegeben. >>> Geben Sie Lebensmittel mit hohem Feuchtigkeitsgehalt nicht in offenen Behältern in den Kühlschrank.
- Die Kühlschranktür steht offen. >>> Halten Sie die Kühlschranktüren nur möglichst kurz geöffnet.
- Das Thermostat wurde auf eine sehr niedrige Temperatur eingestellt. >>> Stellen Sie das Thermostat auf einen geeigneten Wert ein.

Der Kompressor arbeitet nicht.

- Eine Schutzschaltung stoppt den Kompressor bei kurzzeitigen Unterbrechungen der Stromversorgung und wenn das Gerät zu oft und schnell ein- und ausgeschaltet wird, um eine Überdruck des Kühlmittels im System zu vermeiden. Der Kühlschrank beginnt nach etwa sechs Minuten wieder zu arbeiten. Bitte wenden Sie sich an den autorisierten Kundendienst, falls Ihr Kühlschrank nach Ablauf dieser Zeit nicht wieder zu arbeiten beginnt.
- Das Kühlgerät wird abgetaut. >>> Dies ist bei einem Kühlschrank mit vollautomatischem Abtauen völlig normal. Das Gerät wird regelmäßig abgetaut.
- Der Kühlschrank ist nicht angeschlossen. >>> Achten Sie darauf, dass der Stecker in die Steckdose passt.
- Die Temperatureinstellungen stimmen nicht. >>> Wählen Sie den richtigen Temperaturwert.
- Es liegt ein Stromausfall vor. >>> Der Kühlschrank setzt seinen Betrieb fort, wenn die Stromversorgung wiederhergestellt ist.

Das Betriebsgeräusch nimmt zu, wenn der Kühlschrank arbeitet.

- Das Leistungsverhalten des Kühlgerätes kann sich je nach Umgebungstemperatur ändern. Dies ist völlig normal und keine Fehlfunktion.

Der Kühlschrank arbeitet sehr intensiv oder über eine sehr lange Zeit.

- Ihr neues Gerät ist vielleicht etwas größer als sein Vorgänger. Große Kühlgeräte arbeiten oft längere Zeit.
- Die Umgebungstemperatur ist eventuell sehr hoch. >>> Bei hohen Umgebungstemperaturen arbeitet das Gerät etwas länger.
- Der Kühlschrank wurde erst vor Kurzem in Betrieb genommen oder mit Lebensmitteln gefüllt. >>> Wenn das Gerät erst vor Kurzem in Betrieb genommen oder mit Lebensmitteln gefüllt wurde, dauert es etwas länger, bis die eingestellte Temperatur erreicht ist. Dies ist völlig normal.
- Kurz zuvor wurden größere Mengen warmer Speisen in den Kühlschrank gestellt. >>> Geben Sie keine warmen oder gar heißen Speisen in den Kühlschrank.
- Die Türen wurden häufig geöffnet oder längere Zeit nicht richtig geschlossen. >>> Der Kühlschrank muss länger arbeiten, weil warme Luft in den Innenraum eingedrungen ist. Vermeiden Sie häufiges Öffnen der Türen.
- Die Tür des Kühl- oder Tiefkühlbereichs war nur angelehnt. >>> Vergewissern Sie sich, dass die Türen richtig geschlossen wurden.
- Die Kühlschranktemperatur ist sehr niedrig eingestellt. >>> Stellen Sie die Kühlschranktemperatur höher ein. Warten Sie dann ab, bis diese Temperatur erreicht ist.
- Die Türdichtungen von Kühl- oder Gefrierbereich sind verschmutzt, verschlissen, beschädigt oder sitzen nicht richtig. >>> Reinigen oder ersetzen Sie die Dichtung. Beschädigte oder defekte Dichtungen führen dazu, dass der Kühlschrank länger arbeiten muss, um die Temperatur halten zu können.

Die Temperatur im Kühlbereich ist angemessen, während Temperatur im Tiefkühlbereich sehr niedrig ist.

Problemlösung

- Die Tiefkühlbereichtemperatur ist sehr niedrig eingestellt. >>> Tiefkühlbereichtemperatur höher einstellen, Temperatur nach einer Weile prüfen.

Die Temperatur im Tiefkühlbereich ist angemessen, während die Temperatur im Kühlbereich sehr niedrig ist.

- Die Kühltemperatur ist sehr niedrig eingestellt. >>> Stellen Sie die Kühltemperatur wärmer ein, prüfen Sie die Temperatur nach einer Weile.

Im Kühlbereich gelagerte Lebensmittel frieren ein.

- Die Kühlbereichtemperatur ist sehr hoch eingestellt. >>> Kühlbereichtemperatur niedriger einstellen, Temperatur nach einer Weile prüfen.

Die Temperatur im Kühl- oder Tiefkühlbereich ist sehr hoch.

- Die Kühlbereichtemperatur ist sehr hoch eingestellt. >>> Die Kühlbereichtemperatur wirkt sich auf die Temperatur des Tiefkühlbereichs aus. Stellen Sie den Kühl- oder Tiefkühlbereich auf eine geeignete Temperatur ein.
- Türen wurden häufig geöffnet oder längere Zeit nicht richtig geschlossen. >>> Verzichten Sie auf häufiges Öffnen der Türen.
- Die Tür wurde eventuell nicht richtig geschlossen. >>> Tür richtig schließen.
- Der Kühlschrank wurde erst vor Kurzem in Betrieb genommen oder mit Lebensmitteln gefüllt. >>> Dies ist normal. Wenn das Gerät erst vor Kurzem in Betrieb genommen oder mit Lebensmitteln gefüllt wurde, dauert es etwas länger, bis die eingestellte Temperatur erreicht ist.
- Kurz zuvor wurden größere Mengen warmer Speisen in den Kühlschrank gestellt. >>> Geben Sie keine warmen oder gar heißen Speisen in den Kühlschrank.

Vibrationen oder Betriebsgeräusche.

- Der Boden ist nicht stabil oder gerade. >>> Falls der Kühlschrank bei Bewegung leicht wackelt, richten Sie ihn mit den Füßen aus. Achten Sie darauf, dass der Boden eben ist und das Gewicht des Kühlschranks problemlos tragen kann.
- Gegenstände, die auf dem Kühlschrank abgestellt wurden, können Geräusche verursachen. >>> Nehmen Sie die Gegenstände herunter.

Fließ- oder Spritzgeräusche sind zu hören.

- Aus technischen Gründen bewegen sich Flüssigkeiten und Gase innerhalb des Gerätes. >>> Dies ist völlig normal und keine Fehlfunktion.

Der Kühlschrank pfeift.

- Im Inneren befinden sich Gebläse zum Kühlen des Gerätes. Dies ist völlig normal und keine Fehlfunktion.

Feuchtigkeit an den Kühlschrankinnenflächen.

- Bei heißen und feuchten Wetterlagen treten verstärkt Eisbildung und Kondensation auf. Dies ist völlig normal und keine Fehlfunktion.
- Türen wurden häufig geöffnet oder längere Zeit nicht richtig geschlossen. >>> Verzichten Sie auf häufiges Öffnen der Türen. Schließen Sie die Türen, falls sie offen sind.
- Eine Tür wurde eventuell nicht richtig geschlossen. >>> Tür richtig schließen.

Feuchtigkeit sammelt sich an der Außenseite des Kühlschranks oder an den Türen an.

- Hohe Luftfeuchtigkeit. Dies ist bei feuchtem Wetter völlig normal. >>> Die Kondensation verschwindet, wenn der Feuchtigkeitsgehalt abnimmt.
- Externer Feuchtigkeitsniederschlag im Bereich zwischen den beiden Türen des Kühlschranks, wenn das Gerät selten benutzt wird. Dies ist völlig normal. Der Feuchtigkeitsniederschlag verschwindet bei häufiger Verwendung.

Unangenehmer Geruch im Kühlschrank.

- Das Gerät wurde nicht regelmäßig gereinigt. Reinigen Sie das Innere des Kühlschranks mit einem Schwamm, den Sie mit lauwarmem oder kohlenstoffhaltigem Wasser angefeuchtet haben.
- Einige Behälter oder Verpackungsmaterialien können Gerüche verursachen. >>> Andere Behälter und Verpackungsmaterialien bzw. Produkte anderer Hersteller verwenden.
- Lebensmittel wurden in Behältern ohne Deckel in den Kühlschrank gegeben. >>> Lebensmittel in geschlossenen Behältern aufbewahren. Mikroorganismen aus Behältern ohne Deckel können unangenehme Gerüche verursachen.
- Nehmen Sie abgelaufene oder verdorbene Lebensmittel aus dem Kühlschrank.

Die Tür kann nicht geschlossen werden.

- Lebensmittelpackungen verhindern ein vollständiges Schließen der Tür. >>> Entfernen Sie die Verpackungen, welche die Tür blockieren.
- Der Kühlschrank hat keinen stabilen Stand. >>> Passen Sie die Kühlschrankfüße so an, dass der Kühlschrank in Waage ist.
- Der Boden ist nicht eben oder nicht stabil genug. >>> Achten Sie darauf, dass der Boden eben ist und das Gewicht des Kühlschranks problemlos tragen kann.

Problemlösung

Das Gemüsefach klemmt.

- Lebensmittel könnten die obere Wand des Gemüsefachs berühren. >>> Verteilen Sie die Lebensmittel im Gemüsefach anders.

Wenn die Geräteoberfläche heiß ist.

Die Bereiche zwischen den beiden Türen, an den Seitenflächen und hinten am Grill können im Betrieb sehr heiß werden. Dies ist völlig normal und weist nicht auf eine Fehlfunktion hin.

Gebläse läuft weiter, wenn die Tür geöffnet wird.

Es ist normal, dass das Gebläse weiterläuft, wenn die Tür des Tiefkühlbereichs geöffnet wird.



WARNUNG: Falls sich ein Problem nicht mit den Hinweisen in diesem Abschnitt lösen lassen sollte, wenden Sie sich bitte an Ihren Händler oder an den autorisierten Kundendienst. Versuchen Sie niemals, ein fehlerhaftes Produkt selbst zu reparieren.

HAFTUNGSAUSSCHLUSS / WARNUNG

Einige (einfache) Fehler können vom Endbenutzer angemessen behandelt werden, ohne dass Sicherheitsprobleme oder unsichere Verwendung auftreten, sofern sie innerhalb der Grenzen und gemäß den folgenden Anweisungen ausgeführt werden (siehe Abschnitt „Selbstreparatur“).

Sofern im Abschnitt „Selbstreparatur“ unten nichts anderes autorisiert ist, sind Reparaturen an registrierte professionelle Reparaturtechniker zu richten, um Sicherheitsprobleme zu vermeiden. Ein registrierter professioneller Reparaturbetrieb ist ein professioneller Reparaturtechniker, dem vom Hersteller Zugang zu den Anweisungen und der Ersatzteilliste dieses Produkts gemäß den in den Rechtsakten entsprechend der Richtlinie 2009/125/EG beschriebenen Methoden gewährt wurde.

Allerdings kann nur der Dienstleister (d.h. autorisierte professionelle Reparaturtechniker), den Sie über die in der Bedienungsanleitung/Garantiekarte angegebene Telefonnummer oder über Ihren autorisierten Händler erreichen können, einen Service gemäß den Garantiebedingungen anbieten. Bitte beachten Sie daher, dass Reparaturen durch professionelle Reparaturtechniker (die nicht von Bekoautorisiert sind) zum Erlischen der Garantie führen.

Selbstreparatur

Die Selbstreparatur kann vom Endbenutzer in Bezug auf folgende Ersatzteile durchgeführt werden: Dichtungen, Filter, Türscharniere, Körbe, Propeller, Kunststoffzubehör usw. (eine aktualisierte Liste ist ab dem 1. März 2021 ebenfalls in support.beko.com verfügbar).

Um die Produktsicherheit zu gewährleisten und das Risiko schwerer Verletzungen zu vermeiden, muss die erwähnte Selbstreparatur gemäß den Anweisungen im Benutzerhandbuch zur Selbstreparatur durchgeführt werden, die unter support.beko.com verfügbar sind. Ziehen Sie zu Ihrer Sicherheit den Stecker aus der Steckdose, bevor Sie eine Selbstreparatur durchführen.

Reparatur- und Reparaturversuche von Endbenutzern für Teile, die nicht in dieser Liste enthalten sind und/oder die Anweisungen in den Benutzerhandbüchern zur Selbstreparatur nicht befolgen oder die auf support.beko.com verfügbar sind, können zu Sicherheitsproblemen führen, die nicht auf Bekozurückzuführen sind, und führt zum Erlöschen der Garantie des Produkts.

Deshalb wird dringend empfohlen, dass Endbenutzer nicht versuchen, Reparaturen durchzuführen, die außerhalb der genannten Ersatzteilliste liegen, und sich in solchen Fällen an autorisierte professionelle Reparaturtechniker oder registrierte professionelle Reparaturtechniker wenden. Ansonsten können solche Versuche von Endbenutzern Sicherheitsprobleme verursachen und das Produkt beschädigen und anschließend Brand, Überschwemmungen, Stromschläge und schwere Personenschäden verursachen.

Beispielsweise müssen, ohne darauf beschränkt zu sein, die folgenden Reparaturen an autorisierte professionelle Reparaturtechniker oder registrierte professionelle Reparaturtechniker gerichtet werden: Kompressor, Kühlkreislauf, Hauptplatine, Wechselrichterplatte, Anzeigetafel usw.

Der Hersteller/Verkäufer kann in keinem Fall haftbar gemacht werden, in dem Endbenutzer die oben genannten Bestimmungen nicht einhalten.

Die Ersatzteilverfügbarkeit des von Ihnen gekauften Kühlschranks beträgt 10 Jahre. Während dieser Zeit stehen Originalersatzteile zur Verfügung, um den Kühlschrank ordnungsgemäß zu betreiben.

Die Mindestgarantiedauer für den von Ihnen gekauften Kühlschrank beträgt 24 Monate.



Refrigerador

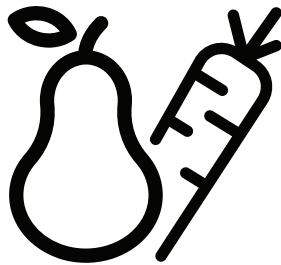
Manual del usuario

Frigorífico

Manual do Utilizador

Koelkast

Gebruiksaanwijzing



RCNE560E40ZXBN - RCNE560E40DZXBN



ES / PT / NL

58 5366 0000/AC

2/8

Lea este manual de usuario antes de utilizar el aparato.

Estimado cliente:

Esperamos que este aparato, que ha sido fabricado en plantas dotadas de la más avanzada tecnología y sometido a los más estrictos procedimientos de control de calidad, le preste un servicio eficaz.

Por lo tanto, lea detenidamente este manual de instrucciones antes de utilizar el aparato y guardar el manual como referencia. Si entrega el aparato a otro propietario, no olvide incluir el manual de usuario.





El manual del usuario le ayudará a usar el aparato de manera rápida y segura.





- Lea el manual antes de instalar y poner en funcionamiento el aparato.
- Asegúrese de haber leído las instrucciones de seguridad.
- Conserve el manual en un sitio de fácil acceso, ya que podría necesitarlo en el futuro.
- Lea los otros documentos incluidos con el producto.

Recuerde que este manual de usuario también es aplicable a otros modelos. Las diferencias entre los modelos se identificarán en el manual.

Explicación de los símbolos

En este manual se utilizan los siguientes símbolos:

	Información importante o consejos de utilidad.
	Existe un riesgo de lesiones y de daños a la propiedad.
	Existe riesgo de descargas eléctricas.
	El embalaje del aparato se fabrica con materiales reciclables, de acuerdo con nuestro Reglamento Nacional sobre Medio Ambiente.

 INFORMACIÓN	
 SUPPLIER'S NAME:  MODEL IDENTIFIER:  (*)	La información del modelo, tal como está almacenada en la base de datos de productos, puede ser consultada en la página web siguiente introduciendo el identificador del modelo (*) que se encuentra en la etiqueta de clasificación energética. https://eprel.ec.europa.eu/

Contenidos

1 Instrucciones de seguridad y medio ambiente 3

- 1.1. Seguridad general.....3
- 1.1.2 Para los modelos con dispensador de agua.....5
- 1.2. Uso previsto.....5
- 1.3. Seguridad para niños.....6
- 1.4. En cumplimiento de la Directiva RAEE, y la eliminación del aparato.....6
- 1.5. En cumplimiento de la Directiva RoHS.....6
- 1.6. Información sobre el paquete.....6

2 Familiarizarse con el electrodoméstico 7

3 Instalación 8

- 3.1. Lugar adecuado para la instalación.....8
- 3.2. Instalación de las cuñas de plástico.....8
- 3.3. Ajuste de los pies.....9
- 3.4. Conexión eléctrica.....9

4 Preparación 10

- 4.1. Consejos para el ahorro de energía.....10
- 4.2. Uso inicial.....11

5 Manejo del aparato 12

- 5.1 Panel indicador.....12
- 5.1. Mover el estante de la puerta.....16
- 5.2. Contenedor de almacenamiento deslizable.....16
- 5.3. Módulo desodorante.....17
- 5.4. Cubitera.....18
- 5.5. Luz azul.....18
- 5.6. HerbBox/HerbFresh (Cajón para hierbas/Hierbas frescas).....18
- 5.7. Huevera.....18
- 5.8. Uso del segundo cajón de frutas y verduras;.....19
- 5.9. Ventilador.....20
- 5.10. Cajón de frutas y verduras.....20
- 5.11. Compartimento de enfriamiento.....20
- 5.12. Icematic automático.....21
- 5.13. Compartimento para verduras con control de humedad.....21
- 5.14. Icematic y caja de almacenamiento de hielo.....22
- 5.15. Uso del dispensador de agua.....22
- 5.16. Uso del dispensador de agua.....23

- 5.17. Llenar el depósito del dispensador de agua.....24
- 5.18. Limpieza del depósito de agua.....24
- 5.19. Bandeja de goteo.....25
- 5.20. Congelación de alimentos frescos.....26
- 5.21. Recomendaciones para la conservación de alimentos congelados.....27
- 5.22. Información sobre la congelación.....27
- 5.23. Colocar los alimentos.....27
- 5.24. Aviso de puerta abierta.....27
- 5.25. Cambio de la dirección de apertura de la puerta.....28
- 5.26. Lámpara de iluminación.....28
- 5.27. El contenedor de productos lácteos (almacenamiento frío).....28
- 5.28. Blue light/HarvestFresh.....28

6 Mantenimiento y limpieza 29




- 6.1. Cómo evitar malos olores.....29
- 6.2. Protección de las superficies de plástico.....29
- 6.3. Vidrios de las puertas.....30

7 Resolución de problemas 31

1 Instrucciones de seguridad y medio ambiente

Esta sección proporciona las instrucciones de seguridad necesarias para evitar el riesgo de lesión y daños materiales. El incumplimiento de estas instrucciones puede invalidar cualquier tipo de garantía del aparato.

Finalidad prevista

	ADVERTENCIA: Asegúrese de que cuando el dispositivo está en su custodia o durante su montaje en el alojamiento, los orificios de ventilación no están cerrados.
	ADVERTENCIA: Con el fin de acelerar la operación de derretimiento del hielo, no utilice cualquier dispositivo o aparato mecánico que no es recomendado por el fabricante
	ADVERTENCIA: No dañe el circuito de fluido refrigerante.



ADVERTENCIA:

No utilice dispositivos eléctricos que no estén recomendados por el fabricante en los compartimentos del dispositivo para la conservación de alimentos.

Este dispositivo está diseñado para ser utilizado en el hogar o en las siguientes aplicaciones similares:

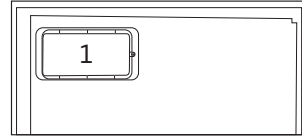
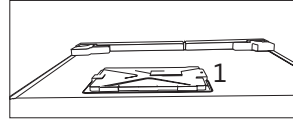
- Con el fin de ser utilizado en las cocinas para el personal de las tiendas, oficinas y otros lugares de trabajo;
- Con el fin de ser utilizado por los clientes en casas de campo y hoteles, moteles y otros lugares de alojamiento:
 - en entornos tales pensiones;
 - en lugares similares que no ofrecen servicios de restauración y no es al por menor.

1.1. Seguridad general

- Este aparato no debe ser utilizado por personas con discapacidades físicas, sensoriales y mentales, sin el conocimiento y la experiencia suficiente o por los niños. El aparato solo puede ser utilizado por estas personas bajo la supervisión y la instrucción de una persona responsable de su seguridad. A los niños no se les debe permitir jugar con este dispositivo.

Instrucciones para la seguridad y el medio ambiente

- En caso de mal funcionamiento, desconecte el dispositivo.
- Después de desconectar, espere por lo menos 5 minutos antes de conectar de nuevo. Desenchufe el aparato cuando no esté en uso. ¡No toque el enchufe con las manos mojadas! No tire del cable para enchufar para sacarlo de la toma de la pared, hágalo tomándolo de la cabeza del enchufe.
- No enchufe el refrigerador si la toma de corriente está floja.
- Desenchufe el aparato durante la instalación, el mantenimiento, limpieza y reparación.
- Si el aparato no se utiliza durante un tiempo, desenchufe el aparato y elimine cualquier alimento en el interior.
- No utilice vapor ni materiales de limpieza al vapor para la limpieza del refrigerador y el derretimiento del hielo en el interior. ¡El vapor podría contactar las zonas electrificadas y causar un cortocircuito o una descarga eléctrica!
- ¡No lave el aparato rociando ni vertiendo agua sobre él! ¡Riesgo de descarga eléctrica!
- Nunca utilice el producto si la sección situada en la parte superior o posterior del producto que tiene las placas de circuitos impresos electrónicos en el interior está abierta (cubierta de la placa del circuito electrónico impreso) (1).

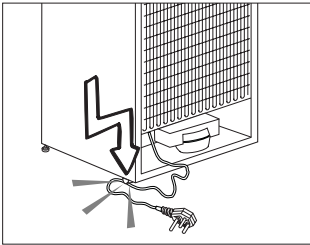


- En caso de mal funcionamiento, no utilice el aparato, ya que puede causar una descarga eléctrica. Póngase en contacto con el servicio técnico autorizado antes de hacer cualquier cosa.
- Conecte el aparato a una toma de tierra. La puesta a tierra debe ser realizada por un electricista calificado.
- Si el aparato tiene un LED de iluminación y requiere sustituirlo, póngase en contacto con el servicio técnico autorizado para sustituirlo o en caso de cualquier problema.
- ¡No toque la comida congelada con las manos mojadas! ¡Se podría adherir a sus manos!
- No coloque líquidos en botellas ni latas en el compartimento del congelador. ¡Podrían estallar!
- Coloque los líquidos en posición vertical después de cerrar bien la tapa.
- No rocíe sustancias inflamables cerca del aparato, ya que podría quemarse o explotar.
- No guarde materiales ni aparatos con gases inflamables (sprays, etc.) en el refrigerador.
- No ponga recipientes que contengan líquido encima del aparato. Salpicar agua en una parte electrificada podría provocar

Instrucciones para la seguridad y el medio ambiente

descargas eléctricas y riesgos de incendio.

- La exposición del aparato a la lluvia, la nieve, la luz directa del sol y el viento causarán un peligro eléctrico. Cuando traslade el aparato, no tire sujetando la manija de la puerta. El mango se podría salir.
- Tenga cuidado de no atrapar ninguna parte de sus manos o de su cuerpo en cualquiera de las partes móviles en el interior del aparato.
- No se pare ni se apoye en las puertas, cajones y partes similares de la nevera. Esto causará que el aparato se caiga hacia y dañe sus partes.
- Tenga cuidado de no tropezar con el cable de alimentación.



1.1.1 Aviso HC

Si el aparato dispone de un sistema de refrigeración que utilizan gas R600a, tenga cuidado de no dañar el sistema de refrigeración y su tubería mientras se utiliza o mueva el aparato. Este gas es inflamable. Si el sistema de refrigeración está dañado, mantenga el

aparato alejado de fuentes de incendio y ventile la habitación inmediatamente.



La etiqueta en la parte interior izquierda indica el tipo de gas utilizado en el aparato.

1.1.2 Para los modelos con dispensador de agua

- La presión en la entrada de agua fría sera a un máximo de 90 psi (620 kPa). Si la presión del agua es superior a 80 psi (550 kPa), utilice una válvula limitadora de presión en el sistema de red. Si usted no sabe cómo controlar la presión del agua, pida la ayuda de un plomero profesional. Si hay riesgo de golpe de ariete en la instalación, siempre utilice un equipo de prevención contra golpes de ariete en la instalación. Consulte a un fontanero profesional si no está seguro de que no hay un efecto del golpe de ariete en la instalación.
- No instale en la entrada de agua caliente. Tome precauciones contra del riesgo de congelación en las mangueras. El intervalo de funcionamiento de la temperatura del agua debe ser un mínimo de 33°F (0.6°C) y un máximo de 100°F (38°C).
- Solo use agua potable apta para beber.

1.2. Uso previsto

- Este aparato está diseñado para uso en el hogar. No es adecuado para un uso comercial.
- El aparato debe utilizarse para solamente para almacenar alimentos y bebidas.
- No guarde aparatos sensibles que requieran temperatura controlada (vacunas, medicamentos sensibles

Instrucciones para la seguridad y el medio ambiente

al calor, equipos médicos, etc.) en el refrigerador.

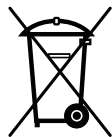
- El fabricante no asume ninguna responsabilidad por los daños debidos al mal uso o mal manejo.
- Se proporcionarán piezas de recambio originales durante 10 años, después de la fecha de compra del producto.

1.3. Seguridad para niños

- Guarde los materiales de embalaje fuera del alcance de los niños.
- A los niños no se les debe permitir jugar con el aparato.
- Si la puerta del aparato usa una cerradura, guarde la llave fuera del alcance de los niños.

1.4. En cumplimiento de la Directiva RAEE, y la eliminación del aparato

Este aparato cumple con la Directiva WEEE (RAEE) de la UE (2012/19/EU). Este aparato lleva el símbolo de clasificación de los equipos eléctricos y electrónicos (WEEE/RAEE).



Este aparato ha sido fabricado con piezas y materiales de alta calidad que pueden ser reutilizados y son aptos para el reciclaje. No deseche el aparato de

junto con los desechos domésticos normales al final de su vida útil. Llévelo al centro de recolección para reciclaje de aparatos eléctricos y electrónicos. Consulte a las autoridades locales para obtener información acerca de estos centros de acopio.

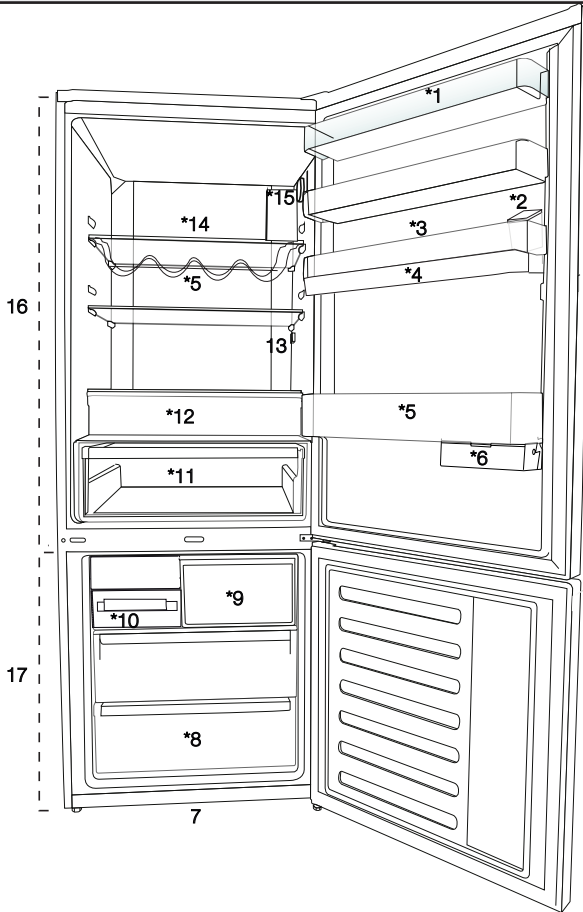
1.5. En cumplimiento de la Directiva RoHS

- El producto que ha adquirido es conforme con la directiva de la UE sobre la restricción de sustancias peligrosas (RoHS) (2011/65/UE). No contiene ninguno de los materiales nocivos o prohibidos especificados en la directiva.

1.6. Información sobre el paquete

- Los materiales de embalaje del aparato son fabricados a partir de materiales reciclables, de acuerdo con nuestra Reglamentación Nacional para el Medio Ambiente. No se deshaga de los materiales de embalaje junto con los desechos domésticos o de otro tipo. Llévelos a los puntos de recolección de material de embalaje designados por las autoridades locales.

2 Familiarizarse con el electrodoméstico



1. Estante de la puerta del compartimento refrigerador
2. Contenedor de llenado del dispensador de agua
3. Huevera
4. Depósito del dispensador de agua
5. Estante para botellas
6. Contenedor de almacenamiento deslizante
7. Pies ajustables
8. Compartimento congelador
9. Compartimento de congelación rápida
10. Cubitera y compartimento para hielo
11. Cajón de verdura
12. El contenedor de productos lácteos (almacenamiento frío)
13. Luz interior
14. Estante de vidrio del compartimento refrigerador
15. Botón de ajuste de la temperatura
16. Compartimento refrigerador
17. Compartimento congelador



Las ilustraciones de este manual se proporcionan a modo de ejemplo y podrían no corresponderse exactamente con su aparato. Si determinadas partes no están presentes en el aparato que usted ha adquirido, indica que la figura corresponde a otro modelo.

3 Instalación

3.1. Lugar adecuado para la instalación

Contacte con un Servicio Técnico autorizado para la instalación del aparato. Para tener el aparato a punto para la instalación, vea la información en la guía de usuario y asegúrese de que las herramientas eléctricas y de agua sean las adecuadas. Si no lo son, llame a un electricista y a un fontanero para que hagan las modificaciones necesarias.

	ADVERTENCIA: El fabricante no se responsabiliza de ningún daño causado por el trabajo llevado a cabo por personas no autorizadas.
	ADVERTENCIA: El aparato debe estar desenchufado durante la instalación. ¡No hacerlo podría causar la muerte o lesiones graves!
	ADVERTENCIA: Si la extensión de la puerta es demasiado estrecha para permitir el paso del aparato, retire la puerta y gire el aparato de lado; si esto no funciona, contacte con el servicio técnico autorizado.

- Coloque el aparato sobre una superficie lisa para evitar sacudidas.
- Instale el aparato a una distancia no inferior de 30 cm de radiadores, estufas y fuentes de calor similares y una distancia no inferior a 5 cm de cualquier horno eléctrico.
- No exponga el aparato directamente a la luz solar en ambientes húmedos.
- El producto requiere una circulación de aire adecuada para funcionar de manera eficiente.
- Si va a colocar el aparato en un hueco de la pared, no olvide dejar una distancia mínima de 5 cm con respecto al techo y las paredes.
- No instale el aparato en ambientes con una temperatura por debajo de -5°C.

- Su producto requiere una circulación de aire adecuada para funcionar eficientemente. Si el producto va a ser colocado en un hueco, recuerde dejar al menos 5 cm de espacio entre el producto y el techo, la pared trasera y las paredes laterales.
- Si el producto va a ser colocado en un hueco, recuerde dejar al menos 5 cm de espacio entre el producto y el techo, la pared trasera y las paredes laterales. Compruebe si el componente de protección de la parte trasera se encuentra colocado en su lugar (en caso de ser suministrado con el producto). Si el componente no está disponible, o si se pierde o se cae, coloque el producto de manera que quede un espacio libre, de al menos 5 cm, entre la superficie trasera del producto y la pared de la habitación. El espacio libre en la parte trasera es importante para el funcionamiento eficiente del producto.

3.2. Instalación de las cuñas de plástico

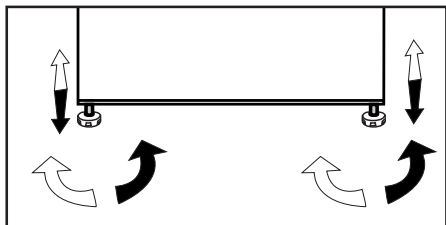
Use las cuñas de plástico incluidas con el aparato para que haya suficiente espacio para la circulación de aire entre el producto y el techo.

1. Para ello, retire los tornillos del aparato y utilice los tornillos que encontrará en la bolsa de las cuñas.

Instalación

3.3. Ajuste de los pies

Si el aparato no queda equilibrado tras su instalación, ajuste las pies frontales girándolos de la derecha a la izquierda.



3.4. Conexión eléctrica

	ADVERTENCIA: No utilice cables de extensión ni ladrones para realizar la conexión eléctrica.
	ADVERTENCIA: Deje en manos de un servicio técnico autorizado la sustitución de un cable de alimentación dañado.
	En caso de que vaya a instalar dos frigoríficos uno al lado del otro, debe dejar una separación no inferior a 4 cm entre ellos.

- Nuestra empresa no se hará responsable de daños provocados por el uso del aparato sin una toma de tierra conforme a las normativas nacionales.
- Tras la instalación, el enchufe del cable de alimentación debe quedar al alcance de la mano.
- No use cables de extensión ni múltiples tomacorrientes sin cable entre el aparato y la toma de pared.



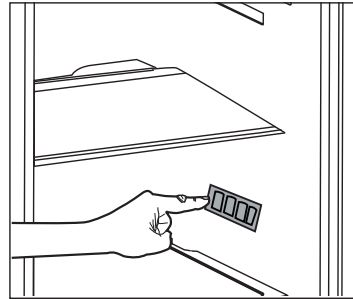
Advertencia de superficie caliente
Las paredes laterales de su producto están equipadas con tubos de refrigerante para mejorar el sistema de refrigeración. El refrigerante con altas temperaturas puede fluir a través de estas áreas, lo que resulta en superficies calientes en las paredes laterales. Esto es normal y no necesita ningún mantenimiento. Por favor, tenga cuidado al tocar estas áreas.

4.1. Consejos para el ahorro de energía



El aparato podría sufrir daños si se conecta a sistemas de ahorro de energía, por lo que es arriesgado.

- Para uso no empotrado: "este aparato de refrigeración no está destinado a ser utilizado como electrodoméstico empotrado.
- No deje las puertas del frigorífico abiertas durante periodos largos de tiempo.
- No introduzca alimentos o bebidas calientes en el frigorífico.
- No sobrecargue el frigorífico, pues se reducirá la capacidad de enfriamiento si se obstaculiza la circulación del aire en el interior.
- Para poder almacenar la máxima cantidad de alimentos en el compartimento del congelador, debe retirar el icematic, ubicado allí y que puede ser retirado con la mano. El volumen neto y el consumo energético especificados en la placa de datos del frigorífico se miden y se prueban retirando el frigorífico. No retire los estantes de dentro del compartimento del congelador de la puerta del compartimento del congelador. Úselos siempre, pues facilitan el uso del aparato y ayudan al consumo energético eficiente.
- No bloquee el flujo de aire colocando alimentos a los lados del ventilador del compartimento del congelador. Deje una distancia mínima de 3 cm a los lados de las paredes de la cobertura de protección del ventilador.
- Use siempre los canastos/cajones que se suministran con el compartimento del congelador para obtener un menor consumo de energía y mejores condiciones de almacenamiento.
- Cuando existen varias opciones, los estantes de vidrio se deben colocar de forma que no se bloqueen las salidas de aire en la pared posterior, preferiblemente las salidas de aire permanecen debajo del estante de vidrio. Esta combinación podría ayudar a mejorar la distribución del aire y la eficiencia energética.
- El contacto de los alimentos con el sensor de temperatura en el compartimento congelador puede elevar el consumo de energía del electrodoméstico. Por lo tanto, se debe evitar todo contacto con el/los sensor/es.
- Según las características del electrodoméstico, descongele alimentos congelados en el compartimento del frigorífico para obtener un ahorro energético y conservar la calidad de los alimentos.
- No deje que los alimentos entren en contacto con el sensor de temperatura del compartimento del frigorífico que aparece en la imagen de más arriba.
- Puesto que el aire caliente y húmedo no penetra directamente en su producto cuando las puertas no están abiertas, su producto se optimiza en condiciones suficientes para proteger sus alimentos. Las funciones y componentes como el compresor,



ventilador, calentador, descongelador, iluminación, pantalla, etc. funcionarán de acuerdo con las necesidades de consumo mínimo de energía en estas circunstancias

4.2. Uso inicial

Antes de empezar a utilizar el frigorífico, compruebe que se hayan realizado todas las preparaciones indicadas en las secciones "Instrucciones importantes sobre seguridad" e "Instalación".

- Mantenga el aparato en funcionamiento durante 6 horas sin alimentos en su interior y no abra la puerta si no es estrictamente necesario.

- Já que o ar quente e húmido não irá penetrar diretamente o seu produto enquanto as portas não estiverem abertas, o seu produto irá otimizar-se por si próprio para possuir condições suficientes para proteger os seus alimentos. As funções e os componentes como o compressor, a ventoinha, o aquecedor, o descongelador, a iluminação, o visor, entre outros, funcionarão de acordo com as necessidades para o consumo mínimo de energia nestas circunstâncias.



Se oye un ruido cada vez que el compresor se pone en funcionamiento. Los líquidos y los gases contenidos en el sistema de refrigeración pueden también generar ruidos, incluso aunque el compresor no esté funcionando, lo cual es normal.



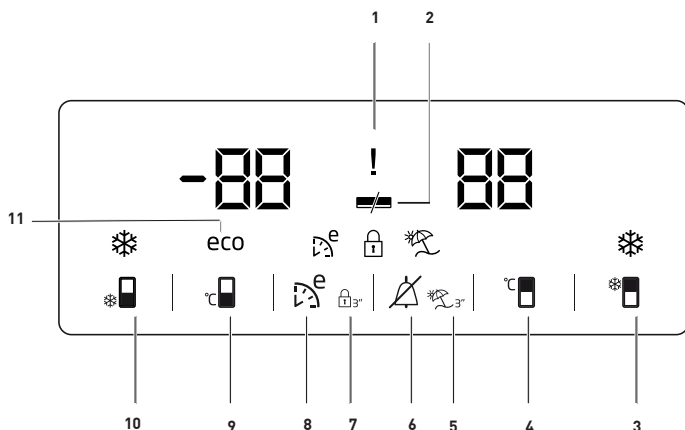
Es posible que las aristas delanteras del aparato se noten calientes al tacto. Esto es normal. Estas zonas deben permanecer calientes para evitar la condensación.



En algunos modelos, el panel de instrumentos se apaga automáticamente 5 minutos después de que la puerta se haya cerrado. Se reactivará cuando la puerta se abra o cuando se pulse cualquier tecla.

5.1 Panel indicador

El panel indicador le permite ajustar la temperatura y controlar as otras funciones relacionadas con el aparato sin abrir sus puertas. Basta con pulsar las inscripciones en los botones correspondientes para los ajustes de la función.



1. Fallo de Alimentación / Alta temperatura / Indicador de estado de error

Se ilumina este indicador (!) al producirse un fallo de alimentación, alta temperatura y advertencias de error.

En el caso de que la temperatura del compartimento de congelación llegue a un nivel crítico para los alimentos congelados, en el indicador digital parpadea el valor máximo de temperatura alcanzado por el compartimento de congelación.

Revise los alimentos que hay en el compartimento del congelador.

Esto no es un mal funcionamiento.

Esta alerta se puede borrar pulsando cualquier botón o en el botón de

apagado de la alarma por temperatura alta. (La cancelación pulsando cualquier botón no es aplicable en todos los modelos).

Este indicador (!) también se ilumina al producirse un fallo en el sensor. Al iluminarse este indicador, en el indicador de temperatura se muestra alternativamente "E" y figuras como "1,2,3...". Estas figuras que aparecen en el indicador informan al personal de servicio sobre el error.

2. Función de ahorro de energía (pantalla apagada):

Si las puertas de la nevera se mantienen cerradas durante un tiempo largo, la función de ahorro se activa



Las ilustraciones de este manual se proporcionan a modo de ejemplo y podrían no corresponderse exactamente con su aparato. Si determinadas partes no están presentes en el aparato que usted ha adquirido, indica que la figura corresponde a otro modelo.

Funcionamiento del aparato

automáticamente y el símbolo de ahorro de energía se ilumina. (🔌)

Si la función de ahorro de energía está activa, todos los símbolos del visor se apagarán excepto el símbolo de energía. Cuando el modo de ahorro de energía está activo, si se pulsa cualquier botón o se abre la puerta, la función de ahorro de energía se cancelará y los símbolos en el visor volverán a su estado normal. La función de ahorro de energía se activará durante la entrega desde la batería y no se puede cancelar.

3. Función de refrigeración rápida

El botón tiene dos funciones. Pulse brevemente este botón para activar o desactivar la función de enfriamiento rápido. La luz de refrigeración rápida y el aparato volverán a su configuración habitual. (🔌)



Use la función de enfriamiento rápido cuando desee enfriar con rapidez los alimentos depositados en el compartimento frigorífico. Si desea enfriar grandes cantidades de alimentos frescos, active esta función antes de depositar los alimentos en el aparato.



Si no lo cancela, el enfriamiento rápido se cancelará automáticamente después de 1 hora o cuando el compartimento del frigorífico alcance la temperatura necesaria.



Si pulsa el botón de enfriamiento rápido repetidamente a intervalos breves, se activará la protección del circuito electrónico y el compresor no se pondrá en marcha inmediatamente.



En caso de corte del fluido eléctrico, esta función no se activará automáticamente al restablecerse el suministro eléctrico.

4. Botón de ajuste de la temperatura del compartimento frigorífico

Pulse este botón para ajustar la temperatura del compartimento frigorífico a 8,7,6, 5,4,3, 2, 1,8... respectivamente. Pulse este botón para ajustar la temperatura que desee para el compartimento frigorífico.




5. Función de Vacaciones:

Para activar la función de vacaciones, pulse este botón (🌴) durante 3 segundos, y la luz del modo de vacaciones (🌴) se activará. Cuando la función de vacaciones está activa, aparece "- -" en el indicador de temperatura del compartimento frigorífico y este compartimento no enfría. Cuando esta función está activa no es adecuado conservar alimentos en el compartimento frigorífico. El resto de compartimentos seguirán refrigerados a la temperatura ajustada para ellos.


Funcionamiento del aparato


Para cancelar esta función, pulse de nuevo el botón de la **función de Vacaciones**.

6. Aviso de desconexión de la alarma:

En caso de apagón/alarma de alta temperatura, pulse el botón de desconexión de alarma () para eliminar el aviso después de comprobar los alimentos en el compartimento del congelador.

7. Bloqueo de teclas,


Pulse el botón de bloqueo de teclas () simultáneamente durante 3 segundos. Símbolo de bloqueo de teclas

() se iluminará y el modo de bloqueo de teclas se activará. Los botones no funcionarán si el modo de bloqueo de teclas está activo. Pulse el botón de bloqueo de teclas simultáneamente durante 3 segundos. El indicador de bloqueo de teclas se apagará y el modo de bloqueo de teclas se cancelará.

Pulse el botón de **bloqueo de teclas** para evitar modificar los ajustes de temperatura del frigorífico (.


8. Eco fuzzy

Pulse el botón Eco-Fuzzy y manténgalo pulsado durante 1 segundo para activar la función eco fuzzy. El frigorífico comenzará a funcionar en el modo más económico durante un mínimo de 6 horas y el indicador de uso económico se iluminará cuando esta función esté


activa. (). Pulse y mantenga pulsado el botón Eco-Fuzzy y manténgalo pulsado durante 3 segundos para activar la función eco fuzzy.

Esta luz se iluminará después de 6 horas cuando la función eco fuzzy esté activada.




9. Botón de ajuste de la temperatura del compartimento congelador

Pulse este botón para ajustar la temperatura del compartimento congelador a -18,-19, -20,-21,-22,-23, -24, -18... respectivamente. Pulse este botón para ajustar la temperatura del compartimento del frigorífico al valor deseado. ()

10. Función de congelado rápido/ botón de encendido-apagado icemático.


Pulse brevemente este botón para activar o desactivar la función de enfriamiento rápido. Cuando active esta función, el compartimento del frigorífico se enfriará a temperatura ambiente más baja que el valor predeterminado. (). Para encender y apagar el icemático, púselo y manténgalo pulsado durante 3 segundos.

Funcionamiento del aparato

	Use la función de congelación rápida cuando desee congelar con rapidez los alimentos depositados en el compartimento frigorífico. Si desea enfriar grandes cantidades de alimentos frescos, active esta función antes de depositar los alimentos en el aparato.
	Si no lo cancela, la Congelación Rápida se cancelará automáticamente después de 24 horas o cuando el compartimento alcance la temperatura necesaria.
	En caso de corte del fluido eléctrico, esta función no se activará automáticamente al restablecerse el suministro eléctrico.

11. Indicador del modo ahorro

Indica que el aparato está funcionando en el modo de eficiencia energética. **(eco)** Esta luz estará activada si la temperatura del compartimento del frigorífico está ajustada a -18 o si el enfriamiento eficiente se está llevando a cabo con la función Eco-Extra.

	El indicador de uso económico se desactiva al seleccionar las funciones de enfriamiento rápido o congelación rápida.
---	--

Funcionamiento del aparato

5.1. Mover el estante de la puerta

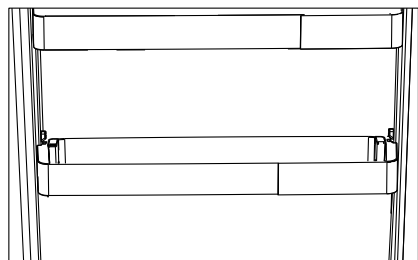
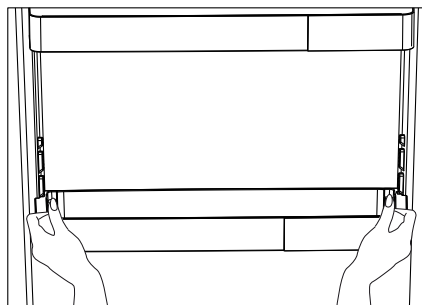
(Característica opcional)

La estantería móvil de la puerta puede fijarse en 3 posiciones diferentes.

Pulse los botones que se muestran a los lados de la misma manera para mover la estantería. La estantería debe ser móvil.

Mueva el estante hacia arriba o hacia abajo.

Suelte los botones cuando la estantería esté en la posición deseada. Debe fijar la estantería en la posición donde suelte los botones.

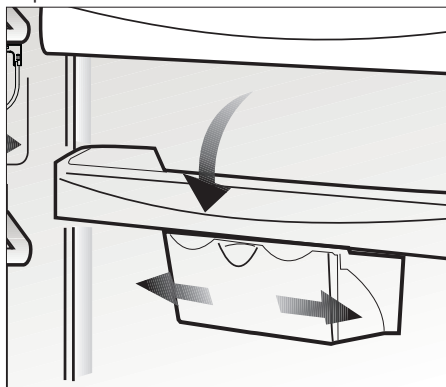


5.2. Contenedor de almacenamiento deslizable

(Característica opcional)

Este accesorio está diseñado para incrementar el volumen útil de los estantes de las puertas.

Le permite colocar con facilidad las botellas, jarras y conservas de mayor altura en el botellero inferior gracias a su capacidad para desplazarse a izquierda o derecha.



Funcionamiento del aparato

5.3. Módulo desodorante

(FreshGuard) *opcional

El módulo de desodorización elimina rápidamente los malos olores de su frigorífico antes de que penetren en las superficies. Gracias a este módulo, que se coloca en el techo del compartimento de alimentos frescos, los malos olores se disuelven mientras el aire pasa activamente por el filtro de olores y, a continuación, el aire que ha sido limpiado por el filtro vuelve a salir al compartimento de alimentos frescos. De esta manera, los olores no deseados que pueden surgir durante el almacenamiento de los alimentos en el frigorífico se eliminan antes de que penetren en las superficies.

Esto se consigue gracias al ventilador, al LED y al filtro de olores integrado en el módulo. En el uso diario, el módulo de desodorización se encenderá automáticamente de forma periódica. Para mantener un rendimiento eficiente, se recomienda que el proveedor de servicios autorizado coloque el filtro en el módulo de desodorización cada 5 años. Debido al ventilador integrado en el módulo, se oye normalmente el ruido durante el funcionamiento. Si abre la puerta del compartimento de alimentos frescos mientras el módulo está activo, el ventilador se detendrá temporalmente y se reanudará en el punto en el que se detuvo al cabo de algún tiempo una vez cerrada la puerta nuevamente.

En caso de fallo de alimentación, el módulo de desodorización se reiniciará en el punto en el que se haya interrumpido en la duración total de funcionamiento una vez que se restablezca la alimentación.

Info: Se recomienda almacenar los alimentos aromáticos (como quesos, aceitunas y alimentos selectos) en sus envases y sellados para evitar los malos olores que pueden resultar al mezclarse los olores de diversos alimentos. Además, se recomienda sacar los alimentos en mal estado del frigorífico rápidamente para evitar que los demás alimentos se estropeen, así como los malos olores.

Funcionamiento del aparato

5.4. Cubitera

*opcional

- Retire la cubitera del compartimento congelador.
- Llene la cubitera con agua.
- Coloque la cubitera en el compartimento congelador.
- El hielo estará listo en unas dos horas aproximadamente. Retire la cubitera del compartimento congelador y dóblelo ligeramente encima de la bandeja donde lo vaya a servir. El hielo se verterá fácilmente en la bandeja para servir..

5.5. Luz azul

(Característica opcional)

Este accesorio está diseñado para incrementar el volumen útil de los estantes de las puertas.

Le permite colocar con facilidad las botellas, jarras y conservas de mayor altura en el botellero inferior gracias a su capacidad para desplazarse a izquierda o derecha.

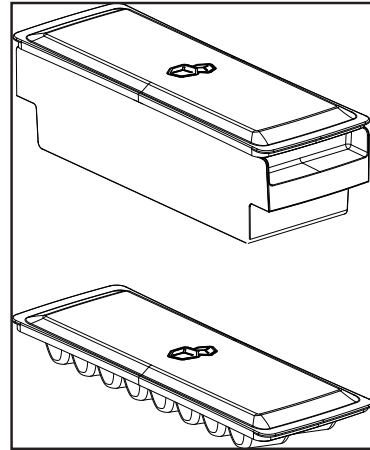
5.6. HerbBox/ HerbFresh (Cajón para hierbas/ Hierbas frescas)

Retire el contenedor de película plástica del HerbBox/HerbFresh+ Saque la película plástica de la bolsa y póngala en el recipiente para la película plástica como se muestra en la imagen.

Vuelva a sellar el recipiente y vuelva a colocarlo en la unidad HerbBox/HerbFresh+.

Las secciones del HerbBox-HerbFresh+ son especialmente ideales para el almacenamiento de diversas hierbas que deben mantenerse en condiciones delicadas. Usted puede almacenar sus hierbas sin empaque (perejil, eneldo, etc) en esta sección horizontalmente y mantenerlas frescas durante un período mucho más largo.

La película deberá ser sustituida cada seis meses.



5.7. Huevera

Puede instalar la huevera en la puerta o el estante que desee. Si va a colocarlo en los estantes del cuerpo, se recomienda usar los estantes inferiores más fríos.



No ponga la huevera en el compartimento congelador

Funcionamiento del aparato

5.8. Uso del segundo cajón de frutas y verduras;



Figura 1.

Como se muestra en la figura, hay 2 toques en el segundo cajón de frutas y verduras del modelo K70560.



Figura 2.

El segundo cajón de frutas y verduras se asemeja al de la figura 2 al cerrarse.

Figura 3.

Con la puerta abierta 90°, tire del segundo cajón de frutas y verdura hasta el primer tope, tal y como se muestra en la figura 3.

En el caso de que el cajón esté más abierto, en primer lugar, abra la puerta por lo menos 135°. A continuación, como se muestra en la figura 4, levante el segundo cajón de frutas y verdura durante unos 5 mm de modo que quede desbloqueado del primer tope.



Figura 4.

Después de la elevación, tire del segundo cajón de frutas y verduras hasta el segundo tope, tal y como se muestra en la Figura 5.



Figura 5.

Funcionamiento del aparato

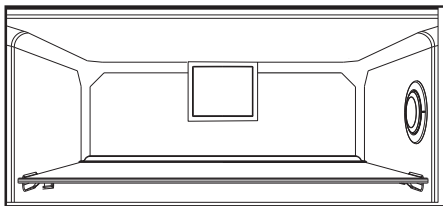
5.9. Ventilador

El ventilador turbo está diseñado para garantizar una distribución y circulación homogéneas del aire frío en el interior del su frigorífico. El tiempo de funcionamiento puede variar según las propiedades del electrodoméstico.

En algunos modelos, el ventilador funciona únicamente cuando lo hace el compresor, mientras que en otros el sistema de control determina su tiempo de funcionamiento de acuerdo con las necesidades de enfriamiento.

5.10. Cajón de frutas y verduras

El cajón de frutas y verduras de su aparato está especialmente diseñado para mantener la frescura de sus vegetales sin que pierdan su humedad. Con este fin, alrededor del cajón de frutas y verduras se intensifica la circulación de aire frío.



5.11. Compartimento de enfriamiento

(Característica opcional)

Use este compartimento para almacenar delicatessen que deban almacenarse a temperaturas más bajas o productos cárnicos que vaya a consumir dentro de poco tiempo.

El compartimento refrigerador es el lugar más frío del frigorífico, donde podrá almacenar productos lácteos, carnes, pescado y carne de ave de corral en las mejores condiciones. No almacene frutas ni verduras en este compartimento.

Funcionamiento del aparato

5.12. Icematic automático

(Característica opcional)

El Icematic automático le permite fabricar hielo en el frigorífico fácilmente. Retire el depósito del agua del compartimento frigorífico, llénelo de agua y vuélvalo a colocar para obtener hielo del sistema Icematic.

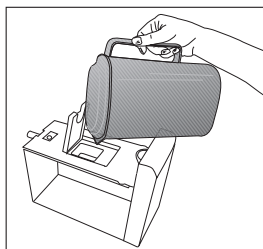
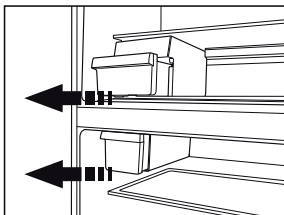
Los primeros cubitos estarán disponibles al cabo de unas dos horas en la cubitera del sistema Icematic ubicada en el compartimento congelador.

Si llena por completo el depósito de agua, podrá obtener aproximadamente entre 60 y 70 cubitos de hielo.

Cambie el agua del depósito de agua si ha estado allí durante 2-3 semanas.



Para los productos que tienen el Icematic automático, se puede oír cuando se esté formando el hielo. Este sonido es normal y en ningún caso indica un fallo.



5.13. Compartimento para verduras con control de humedad

(FreSHelf)

(Característica opcional)

Los niveles de humedad de las frutas y de las verduras se mantienen bajo control con la función del cajón de frutas y verduras con control de humedad y se garantiza que los alimentos se mantengan frescos por más tiempo.

Le recomendamos colocar las verduras de hoja, tales como lechuga, espinaca y aquellas hortalizas sensibles a la pérdida de humedad, en posición horizontal en la medida de lo posible, dentro del cajón, no sobre sus raíces en posición vertical.

Mientras se guardan las frutas y verduras, tenga en cuenta su peso específico. Las frutas y verduras más duras y pesadas deben colocarse en el fondo del cajón y aquellas más blandas y livianas deben ubicarse arriba.

Nunca deje las hortalizas dentro del cajón de frutas y verduras en sus bolsas. Si las hortalizas se dejan dentro de sus bolsas, se descompondrán en un breve período de tiempo. En caso de que no desee que las frutas y verduras estén en contacto entre sí por cuestiones de higiene, utilice un papel perforado, espuma u otros materiales de embalaje similares en lugar de una bolsa. No coloque juntos peras, albaricoques, melocotones, etc. y manzanas, en particular, en el mismo cajón que otras frutas y verduras, ya que tienen un alto nivel de generación de gas etileno. El gas etileno emitido por estas frutas puede ocasionar que las otras frutas maduren más rápido y se echen a perder en poco tiempo.

Funcionamiento del aparato

5.14. Icematic y caja de almacenamiento de hielo

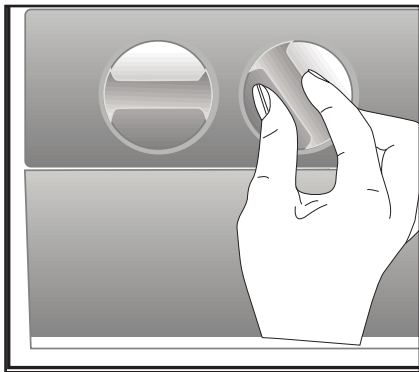
(Opcional)

Llene el icematic con agua y póngalo en marcha. El hielo estará listo después de aproximadamente dos horas. No retire la icematic para tomar el hielo.

Gire los botones de las cámaras de hielo a mano derecha al 90°, el hielo caerá en la caja de almacenamiento de hielo de abajo. A continuación, puede quitar la caja de almacenamiento de hielo y servir el hielo.



La caja de almacenamiento del hielo está destinada para el almacenamiento de hielo solamente. No llene con agua. Si lo hace, hará que se rompa.



5.15. Uso del dispensador de agua

*opcional



Es normal que los primeros vasos de agua servidos por el dispensador estén calientes.



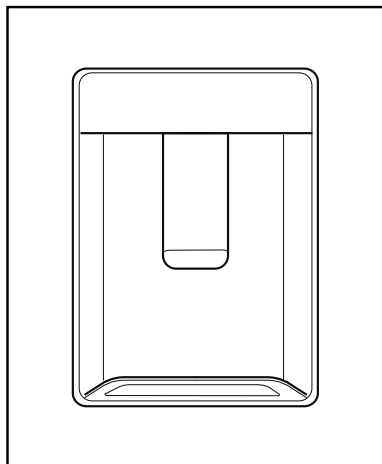
Si no se usa el dispensador de agua durante un periodo de tiempo prolongado, no consuma los primeros vasos de agua.

1. Presione la palanca del dispensador de agua con el vaso. Si está usando un vaso blando de plástico, le será más fácil empujar la palanca con la mano.
2. Una vez haya llenado el vaso hasta el nivel que desee, suelte la palanca.



Tenga en cuenta que el caudal de agua que suministra el dispensador depende del recorrido de la palanca. A medida que el nivel del agua en su copa o vaso llegue al borde, reduzca suavemente la presión ejercida sobre la palanca con el fin de evitar el rebosamiento. Si presiona la palanca levemente el agua goteará, es bastante normal, no se trata de un fallo.

Funcionamiento del aparato



5.16. Uso del dispensador de agua

*opcional

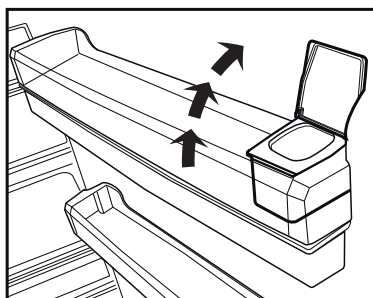
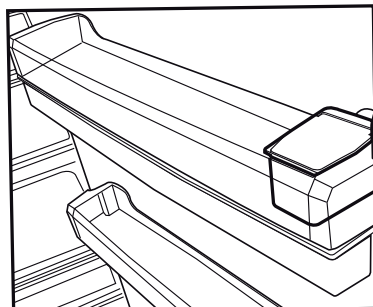


Es normal que los primeros vasos de agua servidos por el dispensador estén calientes.



Si no se usa el dispensador de agua durante un periodo de tiempo prolongado, no consuma los primeros vasos de agua.

1. Presione la palanca del dispensador de agua con el vaso. Si está usando un vaso blando de plástico, le será más fácil empujar la palanca con la mano.
2. Una vez haya llenado el vaso hasta el nivel que desee, suelte la palanca.



Tenga en cuenta que el caudal de agua que suministra el dispensador depende del recorrido de la palanca. A medida que el nivel del agua en su copa o vaso llegue al borde, reduzca suavemente la presión ejercida sobre la palanca con el fin de evitar el rebosamiento. Si presiona la palanca levemente el agua goteará, es bastante normal, no se trata de un fallo.

Funcionamiento del aparato

5.17. Llenar el depósito del dispensador de agua

El depósito de agua se encuentra dentro de la bandeja de la puerta.

1. Abra la tapa del depósito.
2. Llene el depósito con agua potable.
3. Cierre la cubierta.

i No vierta en el depósito de agua ningún otro líquido que no sea agua; la bebidas tales como los zumos de frutas, bebidas carbonatadas o bebidas alcohólicas no son adecuadas para el dispensador de agua. El dispensador de agua quedará dañado de forma irreparable si se utilizan dichos líquidos. La garantía no cubre estos usos. Algunas sustancias químicas y aditivos que contienen esos tipos de bebidas/líquidos pueden dañar el depósito de agua.

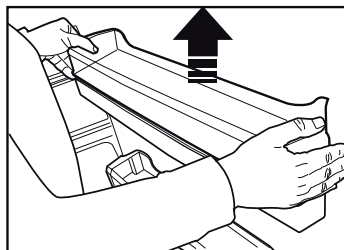
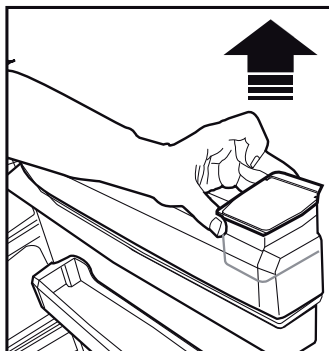
i Utilice únicamente agua potable limpia.

i La capacidad del depósito de agua es de 3 litros, no lo llene excesivamente.

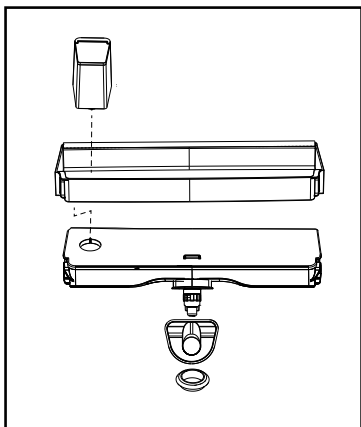
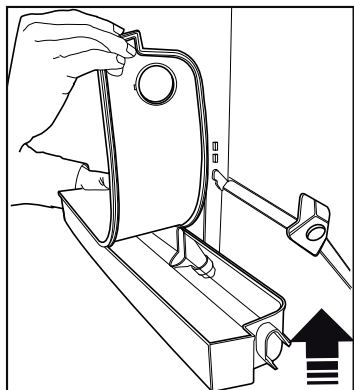
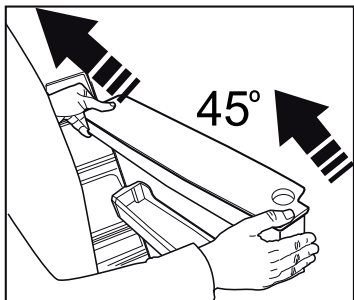
5.18. Limpieza del depósito de agua

1. Retire el depósito de llenado de agua del interior de la rejilla de la puerta.
2. Retire la rejilla de la puerta sujetando por ambos lados.
3. Sujete el depósito de agua por ambos lados y retírelo en un ángulo de 45°C.
4. Retire la tapa del depósito y limpie el depósito.

i Los componentes del depósito de agua y del dispensador de agua no deben lavarse en el lavavajillas.



Funcionamiento del aparato

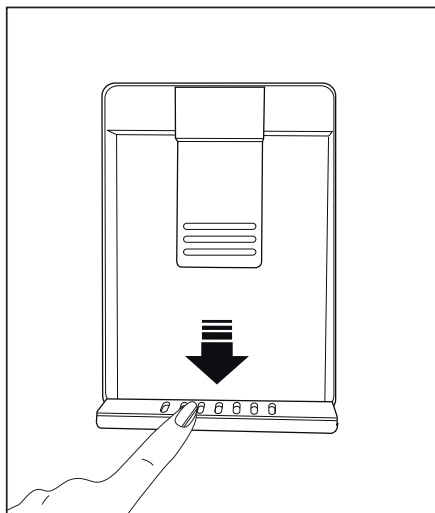


5.19. Bandeja de goteo

El agua que gotea durante el uso del dispensador de agua se acumula en la bandeja de derramamiento.

Retire el filtro de plástico tal y como se muestra en la figura.

Enjuague el agua acumulada con un trapo limpio y seco.



Funcionamiento del aparato

5.20. Congelación de alimentos frescos

- Para preservar la calidad de los alimentos, debe congelarlos tan pronto como sea posible cuando los coloque en el compartimento congelador. Utilice la función de congelación rápida para esta finalidad.
- Puede guardar los alimentos durante más tiempo en el compartimento congelador cuando los congele cuando estén frescos.
- Envuelva los alimentos que vaya a congelar y cierre el envase para que quede hermético.
- Asegúrese de envolver bien los alimentos antes de colocarlos en el congelador. Use contenedores para congelador, láminas y papeles antihumedad, bolsas de plástico y otros materiales de embalaje en vez de papeles de embalaje tradicionales.

- Etiquete cada paquete de alimentos con la fecha antes de congelarlos. De esta manera, podrá distinguir el frescor de cada paquete de alimentos cada vez que abra el congelador. Guarde los alimentos congelados en la parte frontal del compartimento para asegurar que se consuman primero.



El compartimento del congelador se deshuela de manera automática.

- Consuma inmediatamente los alimentos recién descongelados, y no los vuelva a congelar.
- No congele cantidades demasiado grandes de una sola vez.

Ajuste del compartimento congelador	Ajuste del compartimento frigorífico	Comentarios
-18°C/4°F	4°C/40°F	Estos son los valores de uso recomendados.
-20/-4°F,-22/ -6°F o -24°C/-11°F	4°C/40°F	Se recomiendan estos valores cuando la temperatura ambiente rebasa los 30 °C.
Congelación rápida	4°C/40°F	Se utiliza para congelar los alimentos rápidamente. El aparato volverá a su modo de funcionamiento previo una vez finalizado el proceso.
-18°C/4°F o más frío	2°C/37°F	Utilice estos ajustes si cree que el compartimento frigorífico no está suficientemente frío debido a las altas temperaturas ambientales o por la frecuente apertura y cierre de la puerta.

Funcionamiento del aparato

5.21. Recomendaciones para la conservación de alimentos congelados

El compartimento no debe estar a más de $-18\text{ }^{\circ}\text{C}$.

1. Coloque los paquetes de alimentos congelados en el congelador lo antes posible tras su compra sin dejar que se descongelen.
2. Compruebe si las fechas de consumo preferente y caducidad de los envases han vencido o no antes de congelarlos.
3. Asegúrese de que el envase de comida no esté dañado.

5.22. Información sobre la congelación

Los alimentos sólo pueden conservarse durante periodos prolongados de tiempo a temperaturas de $-18\text{ }^{\circ}\text{C}$ o menos.

Los alimentos frescos pueden conservarse durante muchos meses en el congelador a temperaturas de $-18\text{ }^{\circ}\text{C}$ o menos.

No deje que los alimentos entren en contacto con alimentos previamente congelados, con el fin de evitar que éstos puedan descongelarse parcialmente. Hierva las verduras y drene el agua para almacenarla durante más tiempo ya que estarán congeladas. Después de descargar el agua, colóquelos en paquetes herméticos y colóquelos dentro del congelador. Alimentos tales como plátanos, tomates, lechuga, huevos duros y patatas hervidas saladas no son aptas para la congelación. Cuando estos alimentos estén congelados, su valor nutricional y sabor pueden verse afectados negativamente. Esto podría crear un riesgo para la salud humana.

5.23. Colocar los alimentos

Estantes del compartimento congelador	Alimentos congelados diversos tales como carnes, pescados, helados, verduras, etc.
Estantes del compartimento frigorífico	Alimentos en cazuelas, platos cubiertos y recipientes cerrados, huevos (en recipientes cerrados)
Estantes de la puerta del compartimento frigorífico	Alimentos o bebidas en envases pequeños
Cajón de frutas y verduras	Verduras y frutas
Compartimento de alimentos frescos	Las delicatessen (comida de desayuno, productos cárnicos que vayan a consumirse en poco tiempo)

5.24. Aviso de puerta abierta

(Característica opcional)

El frigorífico emitirá una señal acústica de aviso cuando la puerta del aparato permanezca abierta más de un 1 minuto. Esta advertencia quedará silenciada cuando se cierre la puerta o se pulse cualquiera de los botones de la pantalla (si los hay). La advertencia de puerta abierta se da tanto en forma visual como acústica. Si la advertencia prosigue durante 10 minutos, las luces interiores se apagarán.

Funcionamiento del aparato

5.25. Cambio de la dirección de apertura de la puerta

Puede cambiar la dirección de apertura de la puerta de su frigorífico en función del lugar en donde lo use. Si es necesario, or favor, llame al servicio técnico más cercado.

La descripción anterior es una información acerca del cambio de la dirección de la puerta, deberá consultar la etiqueta de advertencia del lado interior de la puerta.

5.26. Lámpara de iluminación

Las luces LED se usan como lámparas de iluminación. Contacte con un servicio técnico autorizado en caso de que haya algún problema con este tipo de luz.

La(s) luz(ces) usadas en este aparato no son aptas para la iluminación de las habitaciones del hogar. El fin previsto de la luz es ayudar al usuario a colocar alimentos en el frigorífico/congelador de una manera segura y cómoda.

5.27.El contenedor de productos lácteos (almacenamiento frío)

Proporciona una temperatura más baja dentro del compartimiento del frigorífico. Utilice este contenedor con el fin de almacenar productos de charcutería (salami, salchichas, productos lácteos, etc.) que requieren una temperatura de almacenamiento más baja o productos de carne, pollo o pescado para su consumo inmediato. No almacene frutas y vegetales dentro de este compartimento.

5.28.Blue light/ HarvestFresh

***Puede no estar disponible en todos los modelos**

Para Blue light,

Las frutas y verduras almacenadas en los cajones que se iluminan con una luz azul continúan su fotosíntesis gracias al efecto de longitud de onda de la luz azul y así preservarán su contenido vitamínico.

Para HarvestFresh,

Las frutas y verduras almacenadas en los cajones iluminados con la tecnología HarvestFresh conservan sus vitaminas durante más tiempo gracias a los ciclos de luces azules, verdes, rojas y oscuras, que simulan un ciclo diurno.

Si abre la puerta del refrigerador mientras que el ciclo de luz oscura de HarvestFresh está funcionando, el refrigerador lo detectará automáticamente y permitirá que la luz azul, verde o roja ilumine el cajón para su mayor comodidad. Después de cerrar la puerta del refrigerador, el ciclo oscuro se reanudará, para así completar el ciclo diurno natural.

6 Mantenimiento y limpieza

La vida útil del aparato aumentará si lo limpia regularmente.



ADVERTENCIA: Desenchufe primero el aparato antes de limpiarlo.

- No utilice nunca para la limpieza herramientas afiladas o abrasivas, jabones, limpiadores domésticos, detergentes ni ceras abrillantadoras.
- Disuelva una cucharadita de bicarbonato en medio cuarto de agua. Empape un trapo en la solución y escúrralo totalmente. Limpie el interior del aparato con este paño y luego séquelo totalmente.
- Asegúrese de que no penetre agua en el alojamiento de la lámpara ni otros elementos eléctricos.
- Utilice un paño húmedo para limpiar la puerta. Para retirar la puerta y los estantes, retire todos sus contenidos. Retire los estantes de la puerta tirando de ellos hacia arriba. Tras limpiarlos, deslícelos de arriba hacia abajo para su colocación.
- Nunca use agentes de limpieza o agua que contengan cloro para limpiar las superficies exteriores y los cromados del producto, ya que el cloro corroe dichas superficies metálicas.
- No use herramientas afiladas o abrasivas, jabón, agentes de limpieza domésticos detergentes, queroseno, gasolina, barniz, etc. para eliminar las huellas dactilares de las piezas de plástico. Use agua tibia un paño suave para limpiarlo, y luego séquelo.

6.1. Cómo evitar malos olores

Nuestros electrodomésticos no se fabrican con materiales que puedan producir olores. Sin embargo, una conservación inadecuada de los alimentos y la falta de limpieza de la superficie interior del electrodoméstico pueden dar lugar a un problema de olores.

Por lo tanto, limpie el frigorífico con bicarbonato disuelto en agua cada 15 días.

- Conserve los alimentos en recipientes cerrados. Los microorganismos que proliferan en los envases no cubiertos pueden causar malos olores.
- Retire del frigorífico los alimentos cuya fecha de caducidad haya vencido y estén en mal estado.

6.2. Protección de las superficies de plástico

Límpielos con agua caliente inmediatamente, puesto que el aceite podría dañar las superficies de plástico.

6.3. Vidrios de las puertas

Retire la lámina protectora de los vidrios.

Hay una capa que reduce al mínimo la formación de manchas y ayuda a eliminarlas con facilidad, así como la suciedad que pueda depositarse. Los vidrios que no disponen de este recubrimiento de protección pueden verse sometidos a la acción persistente de sustancias orgánicas o inorgánicas presentes en el aire o el agua como por ejemplo cal, sales minerales, hidrocarburos sin quemar, óxidos de metal y siliconas que pueden causar con facilidad y rapidez manchas o daños materiales. Resulta muy difícil mantener el vidrio siempre limpio, a pesar de la limpieza regular. En consecuencia, el aspecto y la transparencia del vidrio se deteriora. Los métodos y productos de limpieza fuertes y corrosivos intensificarán estos efectos y acelerarán el proceso de deterioro.

Limpie siempre los vidrios con productos de limpieza con base acuosa que no sean alcalinos ni corrosivos.

Utilice siempre productos no alcalinos ni corrosivos para la limpieza, a fin de prolongar al máximo la vida útil de este recubrimiento.

Son vidrios templados para incrementar su resistencia frente a impactos y roturas.

La superficie posterior de los vidrios cuenta con una película de seguridad que evita que cause daños a los objetos circundantes en caso de rotura.

Consulte la siguiente lista antes de llamar al servicio técnico. Si lo hace podrá ahorrar tiempo y dinero. La lista incluye las quejas más comunes que no tienen relación con un problema de fabricación ni con el material usado. Puede que ciertas características mencionadas aquí no sean de aplicación a este aparato.

El frigorífico no funciona.

- El enchufe de alimentación no está colocada correctamente. >>> Enchúfelo para colocarlo correctamente en la toma de alimentación.
- El fusible conectado a la toma de corriente del aparato o el fusible principal están fundidos. >>> Compruebe los fusibles.

Condensación en la pared lateral del compartimento frigorífico (MULTIZONA, CONTROL DE FRÍO y FLEXI ZONA).

- El ambiente es demasiado frío. >> No instale el aparato en ambientes con una temperatura por debajo de -5°C .
- La puerta se abre con demasiada frecuencia >>> Intente no abrir la puerta tan a menudo.
- El ambiente es demasiado húmedo. >> No instale el aparato en ambientes demasiado húmedos.
- Los alimentos que contengan líquidos están guardados en recipientes no sellados. >>> Guarde los alimentos que contengan líquidos en recipientes sellados.
- La puerta del aparato se ha dejado abierta. >>> No deje la puerta del aparato abierta durante mucho tiempo.
- El termostato está ajustado a un nivel muy bajo. >>> Ajuste el termostato a una temperatura adecuado.

El compresor no funciona.

- En caso de que haya un apagón repentino o de desenchufar el cable y enchufarlo de nuevo, la presión de gas del sistema de refrigeración del aparato no estará equilibrada, lo que accionará la protección térmica del compresor. El aparato se reiniciará aproximadamente al cabo de 6 minutos. Si el aparato no se reinicia después de este período, contacte con el servicio técnico.
- La descongelación está todavía activo. >>> Esto es normal en un congelador con descongelación automática. La descongelación se realiza periódicamente.
- El aparato no está enchufado. >>> Asegúrese de que el cable de alimentación está enchufado.
- El ajuste de temperatura es incorrecto. >>> Seleccione el ajuste de temperatura adecuado.
- Se ha cortado el suministro eléctrico. >>> El aparato seguirá funcionando con normalidad una vez que el suministro se haya restablecido.

El ruido de funcionamiento del frigorífico aumenta durante su uso.

- Tales valores variarán en función de las fluctuaciones de la temperatura ambiente. Esto es perfectamente normal, y no constituye una avería.

El frigorífico está mucho tiempo funcionando o se enciende con demasiada frecuencia.

Resolución de problemas

- Puede que su nuevo aparato sea más grande que el que tenía anteriormente. Los aparatos más grandes funcionarán durante más tiempo.
- Puede que la temperatura ambiente sea alta. >>> El aparato funcionará normalmente durante largos períodos de tiempo con una temperatura ambiente más alta.
- Puede que el aparato se haya enchufado recientemente o que se haya colocado un nuevo alimento en su interior. >>> El aparato tardará más en alcanzar la temperatura cuando haya sido enchufado recientemente o cuando se coloque un nuevo alimento en su interior. Esto es normal.
- Puede que se haya colocado grandes cantidades de alimentos calientes en el aparato. >>> No coloque alimentos calientes en el aparato.
- Las puertas se han abierto demasiado a menudo o se dejan abiertas durante largos períodos de tiempo. >>> El aire circulante en el interior hará que el aparato funcione durante más tiempo. No abra las puertas con demasiada frecuencia.
- Puede que el congelador o la la puerta del congelador esté entreabierta. >>> Compruebe que las puertas estén totalmente cerrados.
- Puede que el aparato esté configurado con una temperatura demasiado baja. >>> Fije la temperatura a un grado más alto y espere a que el aparato alcance la temperatura establecida.
- Es posible que la junta de la puerta del compartimento frigorífico o congelador esté sucia, desgastada, rota o no asentada correctamente. >>> Limpie o sustituya la junta. Una junta de puerta rota / dañada hará que el aparato funcione durante más tiempo para preservar la temperatura actual.

La temperatura del frigorífico es muy baja, pero la del congelador es adecuada.

- La temperatura del compartimento congelador está fijada a un grado muy bajo. >>> Fíjela a un grado más alto y compruébelo de nuevo.

La temperatura del frigorífico es muy baja, mientras que la del congelador es adecuada.

- La temperatura del compartimento congelador está fijada a un grado muy bajo. >>> Fíjela a un grado más alto y compruébelo de nuevo.

Los alimentos depositados en los cajones del compartimento frigorífico están congelados.

- La temperatura del compartimento congelador está fijada a un grado muy bajo. >>> Fíjela a un grado más alto y compruébelo de nuevo.

La temperatura del congelador o del frigorífico es demasiado alta.

Resolución de problemas

- La temperatura del compartimento congelador está fijada a un grado muy bajo. >>> La temperatura del compartimento refrigerador incide en la temperatura del compartimento congelador. Cambie las temperaturas del frigorífico o el congelador y espere hasta que la temperatura de los compartimentos correspondientes estén a un nivel adecuado.
- Las puertas se han abierto demasiado a menudo o se dejan abiertas durante largos períodos de tiempo. >>> No abra las puertas con demasiada frecuencia.
- Puede que la puerta esté entreabierta. >>> Cierre la puerta totalmente.
- Puede que el aparato se haya enchufado recientemente o que se haya colocado un nuevo alimento en su interior. >>> Esto es normal. El aparato tardará más en alcanzar la temperatura cuando haya sido enchufado recientemente o cuando se coloque un nuevo alimento en su interior.
- Puede que se haya colocado grandes cantidades de alimentos calientes en el aparato. >>> No coloque alimentos calientes en el aparato.

Sacudidas o ruidos.

- El suelo no está nivelado o estable. >>> Si el aparato vibra, ajuste los pies para equilibrarlo. Compruebe además que el suelo sea lo suficientemente firme para soportar el aparato.
- Cualquier elemento colocado en el aparato puede provocar ruidos >>> Retire cualquier elemento colocado en el producto.

El aparato emite ruido del líquido en circulación, pulverización, etc.

- Los líquidos y gases fluyen en función de los principios de funcionamiento del frigorífico. >>> Esto es normal y no es una avería.

El aparato emite un ruido de sople de viento.

- El aparato usa un ventilador para el proceso de refrigeración. Esto es perfectamente normal, y no constituye una avería.

Hay condensación en las paredes internas del aparato.

- El tiempo cálido y húmedo favorece la formación de hielo y la condensación. Esto es perfectamente normal, y no constituye una avería.
- Las puertas se han abierto demasiado a menudo o se dejan abiertas durante largos períodos de tiempo. >>> No abra las puertas con demasiada frecuencia. Si las abre, ciérrelas.
- Puede que la puerta esté entreabierta. >>> Cierre la puerta totalmente.

Hay condensación en el exterior del aparato o entre sus puertas.

- Puede que haya humedad en el aire; es algo bastante normal en climas húmedos. >>> Cuando el grado de humedad descienda, la condensación desaparecerá.

Resolución de problemas

El interior huele mal.

- El producto no se limpia regularmente. >>> Limpie el interior regularmente con una esponja, agua caliente y bicarbonato.
- Ciertos recipientes y materiales de embalaje pueden causar mal olor. >>> Utilice recipientes y materiales de embalaje libres de malos olores.
- Los alimentos están guardados en recipientes no sellados. >>> Guarde los alimentos en recipientes sellados. Los microorganismos pueden propagarse fuera de los recipientes de alimentos y causar olores desagradables.
- Retire cualquier alimentos caducado o descompuesto del aparato.

La puerta no cierra.

- Puede que los paquetes de comida estén bloqueando la puerta. >>> Recoloque los elementos que estén bloqueando la puerta.
- El aparato no está colocado en el suelo en una posición totalmente vertical. >>> Ajuste los soportes para equilibrar el aparato.
- El suelo no está equilibrado o no es sólido. >>> Compruebe además que el suelo esté nivelado y que sea capaz de soportar el peso del frigorífico.

El cajón de las verduras está atascado.

- Puede que los alimentos estén en contacto con la sección superior del cajón. >>> Reorganice los alimentos del cajón.



ADVERTENCIA: Si el problema persiste después de seguir las instrucciones en este apartado, contacte con un distribuidor o con el servicio técnico autorizado. No intente reparar el aparato.

EXENCIÓN DE RESPONSABILIDADES / ADVERTENCIA

Es posible que algunas fallas (simples) sean tratadas de manera adecuada por el usuario final sin que se plantee ningún problema de seguridad o uso no seguro, siempre y cuando se lleven a cabo dentro de los límites y de conformidad con las siguientes instrucciones (véase la sección "Autorreparación").

En consecuencia, siempre y cuando no se autorice lo contrario en la sección "Autorreparación" que se encuentra a continuación, las reparaciones deben ser dirigidas a los reparadores profesionales registrados para evitar problemas de seguridad. Se considera un reparador profesional registrado el que ha tenido acceso a las instrucciones y a la lista de piezas de repuesto de este producto por parte del fabricante de acuerdo con los métodos descritos en los actos legislativos en virtud de la Directiva 2009/125/CE.

No obstante, según las condiciones de la garantía, sólo el agente de servicio (por ejemplo, los reparadores profesionales autorizados) al que puede llamar utilizando el número de teléfono que figura en el manual de usuario/tarjeta de garantía o bien a través de su distribuidor autorizado puede prestar servicio. Por consiguiente, por favor, tenga en cuenta que las reparaciones realizadas por reparadores profesionales (no autorizados por Beko) anularán la garantía.

Autorreparación

El usuario final puede realizar la reparación por su cuenta con respecto a las siguientes piezas de repuesto: manijas de puertas, bisagras de puertas, bandejas, cestas y juntas de puertas (una lista actualizada también estará disponible en support.beko.com a partir del 1 de Marzo de 2021).

Por otra parte, con el fin de garantizar la seguridad del producto y prevenir el riesgo de lesiones graves, la autorreparación citada se llevará a cabo siguiendo las instrucciones del manual de usuario para la autorreparación o

las que están disponibles en support.beko.com. Para su seguridad, desenchufe el producto antes de intentar cualquier autorreparación. La reparación y los intentos de reparación por parte de los usuarios finales de piezas no incluidas en dicha lista y/o no seguir las instrucciones contenidas en los manuales de usuario para la autorreparación o que están disponibles en support.beko.com, podrían causar problemas de seguridad no atribuibles a Beko, y anularían la garantía del producto. Por ello, es muy recomendable que los usuarios finales se abstengan de intentar realizar las reparaciones que estén fuera de la lista de piezas de repuesto mencionada, comunicándose en tales casos con los reparadores profesionales autorizados o con los reparadores profesionales registrados. Al contrario, dichos intentos por parte de los usuarios finales pueden provocar problemas de seguridad y dañar el producto y, en consecuencia, provocar incendios, inundaciones, electrocución y lesiones personales graves.

Con carácter ejemplar, pero no limitado a ello, las siguientes reparaciones deben dirigirse a los autorizados reparadores profesionales o reparadores profesionales registrados: compresor, circuito de refrigeración, placa principal, tablero del inversor, tablero de la pantalla, etc.

En caso de que los usuarios finales no cumplan con lo anterior, el fabricante/vendedor no podrá ser considerado responsable.

La disponibilidad de piezas de repuesto del refrigerador que ha adquirido es de 10 años. Durante este período, las piezas de repuesto originales estarán disponibles para el funcionamiento apropiado del refrigerador. La duración mínima de la garantía del refrigerador que ha comprado es de 24 meses.

Caro Cliente,

Gostaríamos que aproveitasse a óptima eficiência do nosso produto, fabricado em modernas instalações segundo controlos de qualidade meticulosos.

Para este propósito, ler integralmente o guia do utilizador antes de utilizar o produto e manter o guia como fonte de referência. Se ceder este produto a outra pessoa, fornecer este guia em conjunto com o produto.

O guia do utilizador assegura a utilização rápida e segura do produto.


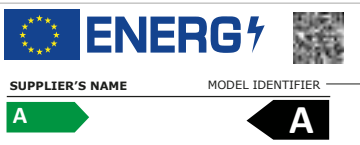
- Ler o guia do utilizador antes de instalar e operar com o produto.
- Observar sempre as instruções de segurança aplicáveis.
- Manter o guia do utilizador em local de fácil acesso para uso futuro.
- Ler quaisquer outros documentos fornecidos com o produto.

Ter em mente que este guia do utilizador é aplicável a vários modelos do produto. O guia indica claramente quaisquer variações de modelos diferentes.

Símbolos e Observações

No guia do utilizador são usados os símbolos seguintes:

	Informações importantes e dicas úteis.
	Risco de vida e do equipamento.
	Risco de choque eléctrico.
	A embalagem do produto é feita com materiais recicláveis, de acordo com a Legislação Ambiental Nacional.

 INFORMAÇÃO	
 <p>SUPPLIER'S NAME: A (green arrow pointing right)</p> <p>MODEL IDENTIFIER: A (black arrow pointing left)</p>	<p>A informação do modelo conforme memorizada na base de dados do produto pode ser acedida entrando no seguinte sítio web e através da busca do identificador do seu modelo (*) que se encontra na etiqueta de classificação emergética.</p> <p>https://eprel.ec.europa.eu/</p>

1 Instruções de segurança e ambientais **3**

- 1.1. Segurança geral 3
- 1.1.1 Advertência HC 5
- 1.1.2 Para modelos com dispensador de água 5
- 1.2. Utilização prevista 5
- 1.3. Segurança das crianças 5
- 1.4. Em conformidade com a Directiva REEE e Eliminação de Resíduos 5
- 1.5. Em conformidade com a Directiva RSP. 6
- 1.6. Informação da embalagem 6

2 O seu aparelho **7**

3 Instalação **8**

- 3.1. Local de instalação apropriado 8
- 3.2. Instalar os calços de plástico 8
- 3.3. Ajustar os pés 8
- 3.4. Ligação elétrica 9

4 Preparação **10**

- 4.1. Coisas a serem feitas para poupar energia 10
- 4.2. Uso inicial 10

5 Operar com o produto **12**

- 5.1. Painel indicador 12
- 5.2. Icematic e caixa de armazenamento de gelo (Opcional). 14
- 5.3. Recipiente para o gelo 15
- 5.4. Suporte para ovos. 15
- 5.5. Ventilador. 15
- 5.6. Gaveta para vegetais 15
- 5.7. Compartimento refrigerador 15
- 5.8. Usar a segunda gaveta para frutos e legumes do produto; 16
- 5.9. Mover a prateleira da porta 17
- 5.10. Recipiente de armazenamento deslizante 18
- 5.11. Luz azul 18
- 5.12. Módulo desodorizador. 18

- 5.13. Gaveta de vegetais com humidade controlada 19
- 5.14. Icematic automático 19
- 5.15. Utilizar a fonte de água fresca 20
- 5.16. Utilizar a fonte de água fresca 20
- 5.17. Encher o depósito do dispensador de água 21
- 5.18. Limpar o depósito de água 21
- 5.19. Tabuleiro para gotas de água. 22
- 5.20. Congelar alimentos frescos 23
- 5.21. Recomendações para preservar alimentos congelados. 24
- 5.22. Informação do congelador 24
- 5.23. Colocar alimentos. 24
- 5.24. Botão para abrir a porta 24
- 5.25. Mudar a direção da abertura da porta 24
- 5.26. Lâmpada de iluminação 24
- 5.27. Blue light/HarvestFresh 25
- 5.28. O compartimento de laticínios (armazenamento frio) 25

6 Manutenção e limpeza **26**

- 6.1. Evitar maus odores 26
- 6.2. Proteger superfícies de plástico 26
- 6.3. Vidros da Porta 26

7 Resolução de problemas **27**

Esta secção fornece as instruções de segurança necessárias para prevenir risco de lesões e danos materiais. O não cumprimento destas instruções invalidará todos os tipos de garantia do produto.

1.1. Segurança geral

AVISO:

Manter as aberturas de ventilação, na caixa de proteção do aparelho ou na estrutura embutida, sem obstruções.

ADVERTÊNCIA:

Não usar dispositivos mecânicos nem outros meios para acelerar o processo de descongelação, exceto os recomendados pelo fabricante.



AVISO:

Não danificar o circuito de refrigeração.

ADVERTÊNCIA:

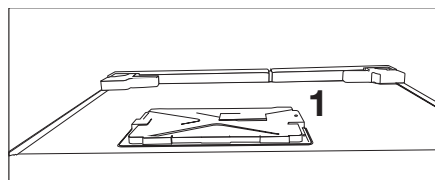
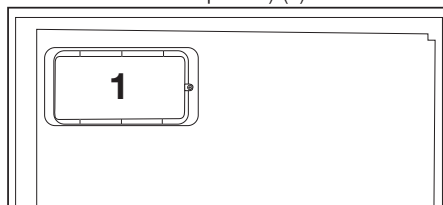
Não usar aparelhos eléctricos no interior dos compartimentos de armazenamento de alimentos do aparelho, a menos que sejam do tipo recomendado pelo fabricante.

Este aparelho é destinado a ser usado em uso doméstico e aplicações similares como

- zonas de cozinha em estabelecimentos comerciais, escritórios ou outros ambientes laborais;
- casas rurais e pelos clientes em hotéis, motéis e outros ambientes de tipo residencial;
- ambientes de tipo alojamento e pequeno almoço;
- utilizações de refeições e outros não-retalhistas similares.

- Este produto não deve ser usado por pessoas com deficiências físicas, sensoriais e mentais, sem conhecimento e experiência suficiente ou por crianças. O dispositivo apenas pode ser usado por estas pessoas sob supervisão e instrução de uma pessoa responsável pela sua segurança. As crianças não devem ser autorizadas a brincar com este aparelho.

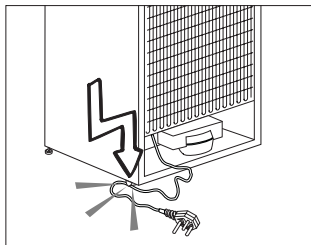
- Em caso de mau funcionamento, desligue o aparelho.
- Depois de desligar, aguarde pelo menos 5 minutos antes de ligar novamente. Desligar o produto quando não está em uso. Não tocar na ficha com as mãos molhadas! Não puxar pelo cabo para desligar, segurar sempre pela ficha.
- Não ligar o frigorífico se a tomada estiver solta.
- Desligar o produto durante a instalação, manutenção, limpeza e reparação.
- Se o produto não for usado por uns tempos, desligar o produto e retirar quaisquer alimentos do interior.
- Não utilizar materiais de limpeza a vapor ou vapor para limpar o frigorífico e derreter o gelo no interior. O vapor pode entrar em contacto com as áreas electrificadas e causar curto-circuito ou choque eléctrico!
- Não lavar o produto pulverizando-o ou deitando água sobre o mesmo! Perigo de choque eléctrico!
- Nunca usar o produto se a secção localizada na parte superior ou traseira do seu produto com placas de circuitos impressos electrónicos no interior estiver aberta (tampa da placa de circuito electrónico impresso) (1).



- Em caso de mau funcionamento, não usar o produto, porque pode provocar um choque eléctrico. Contactar a assistência autorizada antes de fazer alguma coisa.
- Ligar o produto a uma tomada com ligação à terra. A ligação à terra deve ser feita por um electricista qualificado.

Instruções de segurança e ambientais

- Se o produto tem luz tipo LED, contactar a assistência autorizada para substituir ou em caso de quaisquer problemas.
- Não tocar em alimentos congelados com as mãos molhadas! Podem aderir às suas mãos!
- Não colocar líquidos em garrafas e latas no compartimento de congelação. Podem explodir!
- Colocar os líquidos em posição vertical depois de fechar a tampa firmemente.
- Não pulverizar substâncias inflamáveis perto do produto, podem incendiar ou explodir.
- Não manter no frigorífico materiais inflamáveis e produtos com gás inflamável (sprays, etc.).
- Não colocar recipientes com líquidos em cima do produto. Pulverizar água sobre as partes eléctricas pode causar choque eléctrico e risco de incêndio.
- Expor o produto à chuva, neve, sol e vento pode causar perigo eléctrico. Quando recolocar o produto, não puxar pelo puxador da porta. O puxador pode soltar-se.
- Ter cuidado para evitar prender qualquer parte das suas mãos ou corpo em alguma das partes móveis dentro do produto.
- Não pisar ou apoiar-se nas portas, gavetas e peças similares do frigorífico. Isto pode causar avaria do produto e danificar as partes.
- Ter cuidado para não prender o cabo de alimentação.
- Ao instalar o eletrodoméstico, certifique-se de que o cabo de alimentação não fica entalado nem danificado.
- Não coloque tomadas múltiplas nem fontes de alimentação portáteis junto à parte traseira do eletrodoméstico.



- No caso de a sua casa ter um sistema de aquecimento do pavimento, deve ter em atenção que se fizer furos no teto de betão, isso pode danificar o referido sistema de aquecimento!
- As crianças com idade entre 3 e 8 anos podem colocar e retirar cargas de aparelhos de refrigeração.
- Para evitar a contaminação dos alimentos, respeite as instruções a seguir apresentadas:
 - abrir a porta durante longos períodos de tempo pode causar um aumento de temperatura significativo nos compartimentos do aparelho;
 - limpe regularmente as superfícies que podem entrar em contacto com alimentos, assim como os sistemas de drenagem acessíveis;
 - limpe os reservatórios de água se não forem utilizados durante 48 horas; lave o sistema de ligação ao fornecimento de água, se não tiver sido extraída água durante 5 dias;
 - armazene carne e peixe crus em recipientes adequados, no frigorífico, para que não entrem em contacto ou pinguem para os outros alimentos;
 - os compartimentos para congelação de alimentos de duas estrelas são adequados para armazenar alimentos pré-congelados, armazenar ou fazer gelados e fazer cubos de gelo;
 - os compartimentos de uma, duas e três estrelas não são adequados para congelar alimentos frescos;

Instruções de segurança e ambientais

- se o aparelho de refrigeração ficar vazio durante longos períodos de tempo, desligue, descongele, limpe, seque e deixe a porta aberta para evitar a formação de bolor no interior do aparelho.

1.1.1 Advertência HC

Se o produto inclui um sistema de refrigeração com gás R600a, ter cuidado para não danificar o sistema de arrefecimento e a sua tubagem durante a utilização e movimentação do produto. O gás é inflamável. Se o sistema de refrigeração estiver danificado, manter o produto longe de fontes de ignição e ventilar imediatamente o espaço onde o frigorífico se encontra.



A etiqueta no lado esquerdo interior indica o tipo de gás usado no produto.

1.1.2 Para modelos com dispensador de água

- A pressão para a entrada de água fria deve ser no máximo de 90 psi (620 kPa). Se a sua pressão de água exceder 80 psi (550 kPa, utilize uma válvula limitadora de pressão no seu sistema de alimentação. Se não sabe como verificar a sua pressão de água, deve solicitar a ajuda de um canalizador profissional.
- Se existir o risco de o golpe de ariete afetar a sua instalação, deve utilizar sempre um equipamento de prevenção do golpe de ariete na sua instalação. Deve consultar os canalizadores profissionais se não tiver a certeza se existe o efeito de golpe de ariete na sua instalação.
- Não instalar na entrada de água quente. Deve tomar precauções relativamente ao risco de congelamento nas tubagens. O intervalo de funcionamento de temperatura da água deve ser 33°F (0,6°C) de mínimo e 100°F (38°C) de máximo.
- Usar apenas água potável.

1.2. Utilização prevista

- Este produto é concebido para utilização doméstica. Não está previsto para utilização comercial.
- O produto deve ser utilizado apenas para armazenar alimentos e bebidas.
- Não manter no frigorífico produtos sensíveis que requerem temperaturas controladas (vacinas, medicamentos sensíveis ao calor, equipamentos médicos, etc.).
- O fabricante não assume responsabilidades por qualquer dano devido a uso indevido ou inadequado.
- O tempo de vida do produto é de 10 anos. As peças sobresselentes necessárias ao funcionamento do produto estarão disponíveis durante o referido período de tempo.

1.3. Segurança das crianças

- Manter os materiais de embalagem fora do alcance das crianças.
- Não permitir que as crianças brinquem com o produto.
- Se a porta do produto incluir uma fechadura, manter a chave fora do alcance das crianças.

1.4. Em conformidade com a Directiva REEE e Eliminação de Resíduos

Este produto está em conformidade com a Directiva UE REEE (2012/19/UE). Este produto tem um símbolo de classificação de resíduos de equipamentos eléctricos e electrónicos (REEE).



Este produto foi fabricado com peças de alta qualidade e materiais que podem ser reutilizados e são adequados para reciclagem. Não eliminar os resíduos como resíduos domésticos normais ou outros no fim da vida útil. Colocar no centro de recolha para a reciclagem de equipamentos eléctricos

Instruções de segurança e ambientais

e electrónicos. Consultar as autoridades locais para indicação destes centros de recolha.

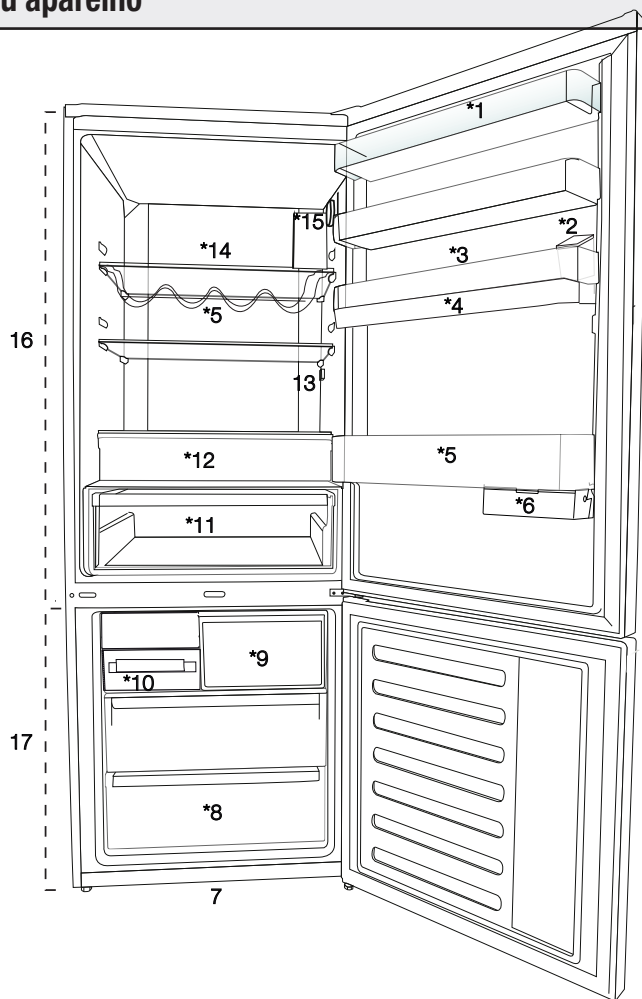
1.5. Em conformidade com a Directiva RSP

- Este produto está em conformidade com a Directiva UE REEE (2011/65/UE). Não contém materiais nocivos e proibidos especificados na Directiva.

1.6. Informação da embalagem

- Os materiais de embalagem do produto são fabricados com materiais recicláveis de acordo com os nossos Regulamentos Ambientais Nacionais. Não eliminar os materiais de embalagem junto com lixos domésticos ou outros. Colocar nos pontos de recolha de material de embalagem designados pelas autoridades locais.

2 0 seu aparelho



1. Prateleira da porta do compartimento do frigorífico
2. Reservatório de enchimento do dispensador de água
3. Secção dos ovos
4. Reservatório do dispensador de água
5. Prateleira para garrafas
6. Recipiente deslizante para armazenamento
7. Pés ajustáveis
8. Compartimento do congelador
9. Compartimento de congelação rápida
10. Tabuleiro para cubos de gelo e banco de gelo
11. Recipiente para vegetais
12. Compartimento zero graus
13. Luz interior
14. Prateleira de vidro do compartimento do frigorífico
15. Botão de ajuste da temperatura



***opcional:** As figuras neste manual do utilizador são dadas como um exemplo e podem não coincidir exatamente com o produto. Se as partes relevantes não estão disponíveis no produto que comprou, a figura aplica-se a outros modelos.

3.1. Local de instalação apropriado

Contactar uma Assistência Autorizada para a instalação do produto. De modo a preparar o produto para utilização, consultar a informação no manual do utilizador e assegurar que a instalação elétrica e a instalação de água são apropriadas. Se não, chamar um electricista e técnico qualificados para realizarem quaisquer arranjos necessários.

	ADVERTÊNCIA: O fabricante não será responsabilizado por danos que possam surgir a partir de procedimentos realizados por pessoas não autorizadas.
	ADVERTÊNCIA: O produto não deve ser ligado à tomada durante a instalação. Caso contrário, há o risco de morte ou lesão grave!
	ADVERTÊNCIA: Se o afastamento da porta da divisão onde o produto deve ser colocado for tão apertado impeça a passagem do produto, remover a porta da divisão e passar o produto pela porta girando-o para o seu lado; se isto não funcionar, contactar a assistência autorizada.

- Colocar o produto numa superfície de chão plana para evitar sacudidelas.
- Instalar o produto afastado pelo menos 30 cm de fontes de calor tais como fogões, núcleos de aquecedores e fornos e pelo menos a 5 cm de fornos elétricos.
- O produto não deve ser exposto à luz solar direta e mantido em locais húmidos.
- Deve ser proporcionada ventilação de ar apropriada à volta do seu produto de modo a alcançar um funcionamento eficiente. Se o produto for colocado num encaixe na parede, ter em atenção para deixar pelo menos 5 cm de distância ao teto e paredes laterais.
- Não instalar o produto em locais onde a temperatura desça abaixo de -5°C.
- Este produto exige circulação de ar adequada para funcionar eficientemente. Se o produto for colocado num nicho, devem ser deixados pelo menos 5 cm de espaço entre o produto e o teto, as paredes traseiras e laterais.
- Se o produto for colocado num nicho, devem ser deixados pelo menos 5 cm de espaço entre o produto e o teto, as paredes traseiras e laterais.

Verificar se o componente de proteção de espaço da parede traseira está presente na sua localização (se fornecido com o produto). Se o componente não estiver disponível, ou se se perder ou cair, posicionar o produto de forma a deixar pelo menos 5 cm de espaço entre o produto e as paredes da divisão. O espaço na parte traseira é importante para o funcionamento eficiente do produto.

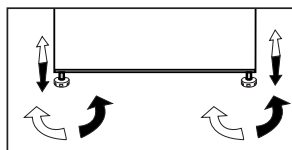
3.2. Instalar os calços de plástico

Os calços de plástico fornecidos com o produto são usados para criar a distância para a circulação de ar entre o produto e a parede de trás.

1. Para instalar os calços, retirar os parafusos no produto e usar os parafusos fornecidos em conjunto com os calços.
2. Inserir os 2 calços de plástico na tampa de ventilação de trás como mostrado na figura.

3.3. Ajustar os pés

Se o produto ficar desequilibrado depois da instalação, ajustar os pés da frente rodando-os para a esquerda ou direita.



Instalação

3.4. Ligação elétrica

	ADVERTÊNCIA: Não fazer ligações através de cabos de extensão ou fichas múltiplas.
	ADVERTÊNCIA: O cabo de alimentação danificado deve ser substituído pelo Agente de Assistência Autorizado.
	Se dois refrigeradores são para ser instalados lado a lado, deve haver pelo menos 4 cm de distância entre eles.

- A nossa empresa não será responsável por quaisquer danos que possam ocorrer quando o produto for usado sem ligação à terra e elétrica em conformidade com os regulamentos nacionais.
- A ficha do cabo de alimentação deve ser de fácil acesso após a instalação.
- Sem cabos de extensão ou tomadas múltiplas sem cabo entre o seu produto e a tomada da parede.

	ADVERTÊNCIA: Advertência de Superfície Quente As paredes laterais do seu produto são equipadas com tubos refrigerantes para melhorar o sistema de refrigeração. O refrigerante com altas temperaturas pode fluir através destas áreas, resultando em superfícies quentes nas paredes laterais. Isto é normal e não exige qualquer reparação. Deve ter cuidado quando tocar nestas áreas.
---	--

4 Preparação

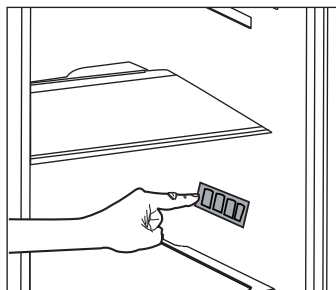
4.1. Coisas a serem feitas para poupar energia



Ligar o produto a sistemas eletrónicos de poupança de energia é arriscado pois podem danificar o produto.

- Para um aparelho de instalação independente: "este frigorífico não se destina a ser usado como um aparelho de encastrar.
- Não deixar as portas do seu frigorífico abertas por muito tempo.
- Não colocar alimentos ou bebidas quentes no seu frigorífico.
- Não sobrecarregar o frigorífico, a capacidade de arrefecimento falhará quando a circulação de ar interior for impedida.
- De modo a armazenar a quantidade máxima de alimentos no compartimento frigorífico, o Icmatic, disponível no compartimento congelador e facilmente removível à mão, deverá ser retirado. Os valores declarados de volume líquido e consumo de energia declarados na placa de dados de energia do seu frigorífico são medidos e testados retirando o Icmatic. Não retirar as prateleiras do interior do compartimento congelador e na porta do compartimento congelador não devem ser removidas e devem ser sempre usadas pois proporcionam facilidade de utilização e eficiência no consumo de energia.
- O fluxo de ar não deve ser bloqueado colocando alimentos nas laterais do ventilador do compartimento do congelador. Deve ser disponibilizada uma distância mínima de 3 cm nas laterais da tampa protetora do ventilador.
- Os cestos/gavetas que são fornecidos com o compartimento para os frescos têm de ser sempre utilizados para um menor consumo de energia e para melhores condições de armazenamento.
- O contacto dos alimentos com o sensor de temperatura no compartimento do congelador pode aumentar o consumo de energia do aparelho. Assim deve ser evitado qualquer contacto com o(s) sensor(es).
- Dependendo das características de seu produto, o descongelamento de alimentos congelados no compartimento frigorífico irá proporcionar a poupança de energia e preservar a qualidade dos alimentos.

- Não permitir o contacto de alimentos com o sensor de temperatura do compartimento frigorífico exibido na figura abaixo.
- No caso de existirem várias opções, as prateleiras de vidro devem ser colocadas de forma a que as saídas de ar na parede posterior não fiquem bloqueadas, de preferência que as saídas de ar fiquem abaixo da prateleira de vidro. Esta combinação pode ajudar a melhorar a distribuição do ar e a eficiência energética.



4.2. Uso inicial

Antes de começar a usar o seu frigorífico, assegurar que todos os preparativos são feitos de acordo com as instruções nas secções "Instruções de segurança e ambientais" e "Instalação".

- Pôr o produto a trabalhar sem quaisquer alimentos durante 6 horas e não abrir a porta, a menos que absolutamente necessário.



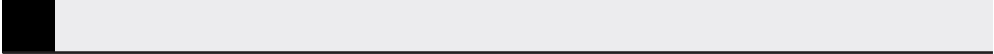
Ouvirá um ruído quando o compressor arrancar. Os líquidos e gases vedados no sistema de refrigeração podem também dar origem a ruídos, mesmo se o compressor não estiver a funcionar o que é perfeitamente normal.



As extremidades dianteiras do produto podem ficar quentes. Isto é normal. Estas áreas são concebidas para aquecer para evitar a condensação.

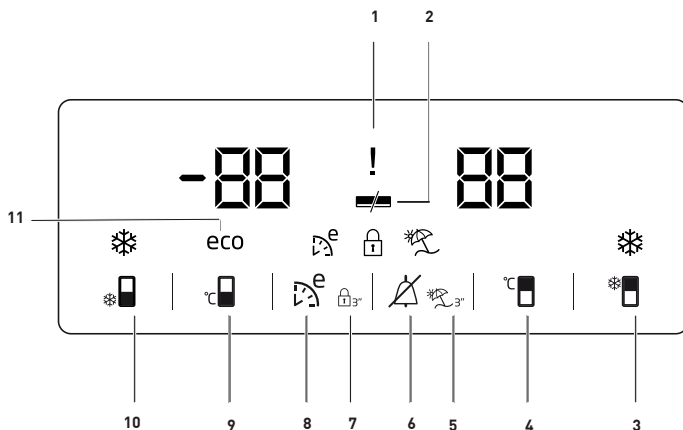


Em alguns modelos, o painel de instrumentos desliga automaticamente 5 minutos depois de a porta ser fechada. Será reativado quando a porta for aberta ou premida qualquer tecla.

- 
- Já que o ar quente e húmido não irá penetrar diretamente o seu produto enquanto as portas não estiverem abertas, o seu produto irá otimizar-se por si próprio para possuir condições suficientes para proteger os seus alimentos. As funções e os componentes como o compressor, a ventoinha, o aquecedor, o descongelador, a iluminação, o visor, entre outros, funcionarão de acordo com as necessidades para o consumo mínimo de energia nestas circunstâncias.

5.1. Painel indicador

O painel indicador permite-lhe definir a temperatura e controlar as outras funções relacionadas com o produto, sem abrir a porta do mesmo. Baste pressionar as inscrições nos botões relevantes para as definições de função.



1. Interrupção de energia / Temperatura elevada / Indicador de erro de estado

Este indicador (!) acende-se no caso de falha de energia, temperaturas elevadas e de avisos de erro.

Quando a temperatura do compartimento do congelador aquece até um nível crítico para os alimentos congelados, o valor máximo atingido pela temperatura do compartimento do congelador fica a piscar no indicador digital.

Verificar os alimentos no compartimento do congelador.

Isto não é um mau funcionamento. O aviso pode ser apagado premindo qualquer botão ou no botão de desligar o alarme de alta temperatura. (Cancelar premindo qualquer botão não é aplicável para todos os modelos.)

Este indicador (!) acende-se também quando ocorre uma falha no sensor. Quando o indicador se acender, são exibidos alternativamente "E" e

números como "1,2,3,..." no indicador da temperatura. Estes números no indicador informam o pessoal da manutenção acerca do erro.

2. Função de poupança de energia (visor desligado):

Se as portas do produto forem mantidas fechadas durante muito tempo, a função de poupança de energia é automaticamente ativada e o símbolo respetivo de poupança de energia ficará aceso. (■/■)

Quando é ativada a função de poupança de energia, todos os símbolos no visor, para além do símbolo de poupança de energia, se desligarão. Quando a função de poupança de energia é ativada, se nenhum botão for pressionado ou se a porta estiver aberta, a função de economia de energia será cancelada e os símbolos no visor irão voltar ao normal.

A função de poupança de energia é ativada durante a entrega da fábrica e não pode ser cancelada.







***opcional:** As figuras neste manual do utilizador são dadas como um exemplo e podem não coincidir exatamente com o produto. Se as partes relevantes não estão disponíveis no produto que comprou, a figura aplica-se a outros modelos.

Operar com o produto

3. Função de refrigeração rápida:

O botão tem duas funções. Prima este botão rapidamente para ativar ou desativar a função Quick Cool (Refrigeração Rápida). O indicador “Quick Cool” desligar-se-á e voltará às suas definições normais. (🔌)

	Use a função de arrefecimento rápido quando quiser arrefecer rapidamente os alimentos colocados no compartimento do frigorífico. Se quiser refrigerar grandes quantidades de alimentos frescos, ative esta função antes de colocar os alimentos no frigorífico.
	Se não cancelar, a refrigeração rápida cancelar-se-á automaticamente após 1 hora ou quando o compartimento do frigorífico atingir a temperatura pretendida.
	Se premir o botão de arrefecimento rápido repetidamente em curtos intervalos, a proteção do circuito eletrónico será ativada e o compressor não arrancará imediatamente.
	Esta função não é reativada quando a energia é restabelecida após alguma falha elétrica.

4. Botão de definição da temperatura do compartimento do refrigerador

Prima este botão para ajustar a temperatura do compartimento do frigorífico para 8,7,6,5,4,3,2,1,8... respetivamente. Prima este botão para definir a temperatura pretendida para o compartimento do refrigerador. (🔌)

5. Função “Vacation” (Férias):

Para ativar a função de férias, mantenha premido este botão (🔌) durante 3 segundos e o indicador de modo de férias (🌴) será ativado. Se a função de férias estiver activa, aparecerá “- -” no indicador de temperatura do

compartimento do frigorífico e não será realizado qualquer arrefecimento ativo no compartimento do frigorífico. Não é adequado manter os alimentos no compartimento do refrigerador quando esta função está ativada. Os outros compartimentos continuarão a ser arrefecidos, de acordo com a temperatura que têm definida.

Para cancelar esta função prima novamente o botão da função Vacation (Férias)

6. Fim do aviso de temperatura elevada:

No caso de aviso de interrupção de energia/ Temperatura elevada, pode apagar o aviso (🔌) premindo qualquer botão no indicador ou o botão para desligar o alarme de alta temperatura durante 1 segundo depois de verificar os alimentos no interior do compartimento do congelador.

Nota: Cancelar premindo qualquer botão não é aplicável para todos os modelos.

7. Bloqueio de teclas,

Prima o botão de bloqueio de teclas (🔌) continuamente durante 3 segundos. O símbolo de bloqueio de teclas

(🔌) irá acender-se e o modo de bloqueio de teclas será ativado. Os botões não funcionarão se o modo de Bloqueio de teclas estiver ativo. Prima o botão de bloqueio de teclas continuamente durante 3 segundos. O ícone de bloqueio de teclas apagar-se-á e o modo de bloqueio de tecla ficará inativo.

Pressione novamente o botão de **bloqueio de teclas** se quiser evitar que se altera a definição de temperatura do refrigerador (🔌).

8. Eco Fuzzy

Pressione e mantenha em baixo o botão Eco Fuzzy durante 1 segundo para ativar a função Eco Fuzzy. Logo a seguir, o frigorífico começará a funcionar no modo mais económico, pelo menos 6 horas depois e o indicador de utilização económica acenderá enquanto a função estiver ativa (🔌). Pressione e


Operar com o produto

3 segundos para desativar a função Eco Fuzzy.


Este indicador é iluminado após 6 horas quando a função Eco Fuzzy é ativada.

9. Botão de definição da temperatura do compartimento do congelador

Prima este botão para ajustar a temperatura do compartimento do congelador para -18, -19, -20, -21, -22, -23, -24, -18... respetivamente.

Prima este botão para definir a temperatura pretendida para o compartimento do congelador. 

10. Botão da função “Quick Freeze” /Botão icematic ligado ou desligado

Prima este botão para ativar ou desativar a função de congelação rápida. Quanto ativar a função, o compartimento do congelador será arrefecido até uma temperatura mais baixa do que o valor definido.  Para ligar e desligar o icematic pressione-o e segure-o em baixo durante 3 segundos.



Use a função de congelamento rápido quando quiser congelar rapidamente os alimentos colocados no compartimento do frigorífico. Se quiser congelar grandes quantidades de alimentos frescos, ative esta função antes de colocar os alimentos no frigorífico.




Se não cancelar, a congelação rápida cancelar-se-á automaticamente após 24 horas ou quando o compartimento do frigorífico atingir a temperatura pretendida.



Esta função não é reativada quando a energia é restabelecida após alguma falha elétrica.

11. Indicador de Utilização económica

Indica que o produto está a funcionar no modo de poupança de energia.  Este indicador estará ativo se a temperatura do compartimento do congelador estiver ajustada para -18 ou se o arrefecimento com eficiência de energia estiver a ser realizado através da função Eco-Extra.



O indicador de utilização económica é desligado quando as funções de arrefecimento rápido ou congelação rápida estão selecionadas.

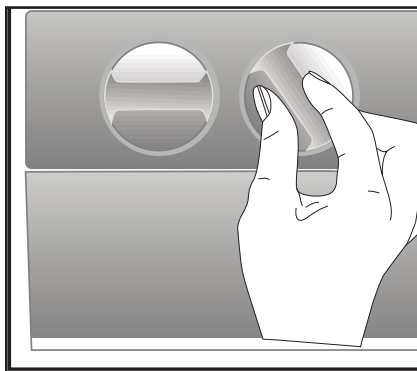
5.2. Icematic e caixa de armazenamento de gelo (Opcional)

Encher o icematic com água e colocar no lugar. O gelo estará pronto aproximadamente duas horas depois. Não retirar o icematic para tirar o gelo.

Rodar os botões nas câmaras de gelo do lado direito em 90°, o gelo cairá para a caixa de armazenamento de gelo por baixo. Pode depois retirar a caixa de armazenamento de gelo e servir o gelo.



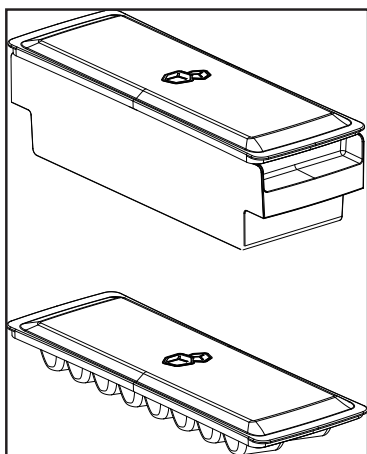
A caixa de armazenamento de gelo é concebida apenas para armazenar gelo. Não encher com água. Isto pode fazer com que se parta.



Operar com o produto

5.3. Recipiente para o gelo

- Remover o depósito do gelo do compartimento de congelamento.
- Encher o depósito com água.
- Colocar o depósito do gelo do compartimento de congelamento. Duas horas mais tarde, o gelo está pronto para usar.
- Remover o depósito do gelo do compartimento de congelamento e dobrá-lo sobre uma placa de serviço. Os cubos de gelo cairão com facilidade para a placa de serviço.



5.4. Suporte para ovos

Pode instalar o suporte para ovos na porta pretendida ou na estrutura da prateleira. Se for colocado na estrutura de prateleiras então as prateleiras de refrigeração inferiores são as recomendadas.

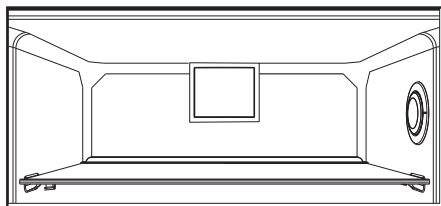


Colocar o depósito do gelo do compartimento de congelamento.

5.5. Ventilador

O ventilador tem a finalidade de assegurar uma distribuição homogénea e circulação do ar frio no interior do seu frigorífico. O tempo de funcionamento do ventilador pode variar dependendo das propriedades do seu produto.

Enquanto o ventilador está a funcionar apenas com o compressor nalguns produtos, o sistema de controlo determina o seu tempo de funcionamento em alguns produtos de acordo com os requisitos de refrigeração.



5.6. Gaveta para vegetais

A gaveta para vegetais do produto destina-se especialmente a manter os vegetais frescos sem que percam a respetiva humidade. Para este efeito, a circulação de ar frio é intensificada de um modo geral em volta da gaveta para vegetais.

5.7. Compartimento refrigerador

(Esta característica é opcional)

Usar este compartimento para armazenar produtos delicados que devem ser armazenados a temperaturas baixas ou produtos de carne que devem ser consumidos num curto espaço de tempo. O compartimento refrigerador é o local mais fresco do seu frigorífico onde pode manter os produtos lácteos, carne, peixe e aves nas condições ideais de armazenamento. As frutas e os vegetais não devem ser armazenados neste compartimento.

Operar com o produto

5.8. Usar a segunda gaveta para frutos e legumes do produto;



Figura 1.

Conforme mostra a figura, existem 2 retentores na segunda gaveta para frutos e legumes do modelo K70560 do produto.



Figura 2.

A segunda gaveta para frutos e legumes fica como na Figura 2 quando fechada.



Figura 3.

Com a porta aberta a 90°, puxe a segunda gaveta para frutos e legumes até ao primeiro retentor conforme mostra a Figura 3.



Se a gaveta estiver mais aberta, antes de tudo, abra a porta pelo menos a 135°. Depois, conforme mostra a Figura 4, levante a segunda gaveta para frutos e legumes cerca de 5 mm para a libertar do primeiro retentor.



Figura 4.

Após levantar, puxe a segunda gaveta até ao segundo retentor, conforme mostra a Figura 5.

Figura 5.

Operar com o produto

5.9. Mover a prateleira da porta

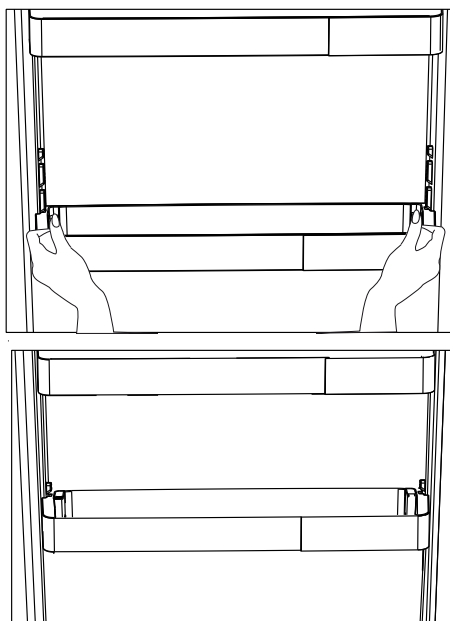
(Esta característica é opcional)

Ao mover a prateleira da porta pode fixá-la em 3 posições diferentes.

Premir os botões mostrados nas partes laterais simultaneamente de modo a mover a prateleira. A prateleira deve ser amovível.

Mover a prateleira para cima ou para baixo.

Soltar os botões quando tiver a prateleira na posição desejada. A prateleira deve ser fixada na posição depois de libertar os botões.



HerbBox/HerbFresh

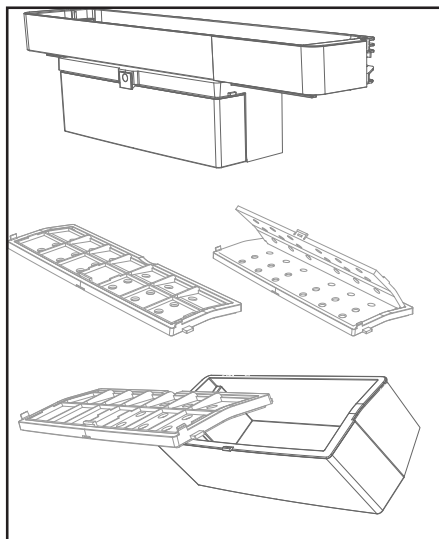
Remover o recipiente da película da HerbBox/HerbFresh+

Remover a película do saco e colocá-la no recipiente da película conforme mostrado na figura.

Fechar novamente o recipiente e voltar a colocá-lo no compartimento HerbBox/HerbFresh+.

Os compartimentos HerbBox/HerbFresh+ são ideais para o armazenamento das várias ervas aromáticas que são supostas serem guardadas em condições delicadas. Pode armazenar as suas ervas aromáticas não embaladas (salsa, endro, etc.) neste compartimento na posição horizontal e poderá assim mantê-las frescas durante muito mais tempo.

A película deve ser substituída em cada seis meses.

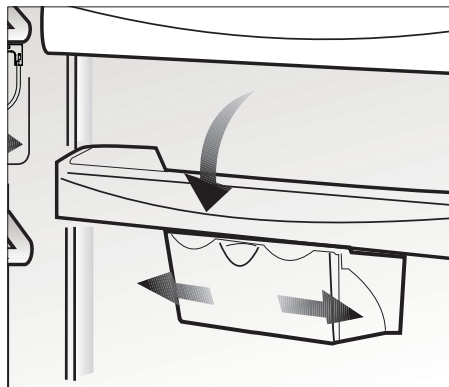


Operar com o produto

5.10. Recipiente de armazenamento deslizante

(Esta característica é opcional)

Este acessório é concebido para aumentar o volume de utilização das prateleiras da porta. Permite-lhe com facilidade colocar garrafas mais altas e latas na prateleira de garrafas mais baixas graças à possibilidade de a mover para a direita ou para a esquerda.



5.11. Luz azul

(Esta característica é opcional)

Este acessório é concebido para aumentar o volume de utilização das prateleiras da porta. Permite-lhe com facilidade colocar garrafas mais altas e latas na prateleira de garrafas mais baixas graças à possibilidade de a mover para a direita ou para a esquerda.

5.12. Módulo desodorizador

(FreshGuard) *opcional

O módulo desodorizador elimina rapidamente os maus cheiros do seu frigorífico antes que eles penetrem nas superfícies. Graças a este módulo, que é colocado no teto do compartimento de alimentos frescos, os maus odores dissolvem-se enquanto o ar está a ser passado ativamente no filtro de odores, depois o ar que foi limpo pelo filtro é reemitido para o compartimento de alimentos frescos. Desta forma, os odores indesejados que podem surgir durante o armazenamento dos alimentos no frigorífico são eliminados antes de penetrarem nas superfícies.

Isto é conseguido graças à ventoinha, ao LED e ao filtro de odores integrados no módulo. No uso diário, o módulo desodorizador será ligado automaticamente numa base periódica. Para manter um desempenho eficiente, recomenda-se solicitar ao prestador de assistência técnica autorizado que faça a manutenção do filtro no módulo do desodorizador a cada 5 anos. Devido à ventoinha integrada no módulo, o ruído que ouvirá durante o funcionamento é normal. Se abrir a porta do compartimento de alimentos frescos enquanto o módulo estiver ativo, a ventoinha fará uma pausa temporária e continuará de onde parou algum tempo depois da porta se novamente fechada. Em caso de falha de energia, o módulo do desodorizador retomará de onde parou na duração total de funcionamento quando a energia voltar.

Info: Recomenda-se armazenar alimentos aromáticos (como queijo, azeitonas e alimentos de charcutaria) nas suas embalagens e seladas para evitar odores desagradáveis que podem resultar quando se misturam odores de vários alimentos. Além disso, recomenda-se retirar rapidamente os alimentos estragados do frigorífico para evitar que os outros alimentos fiquem estragados e para se evitar os maus odores.

Operar com o produto

5.13. Gaveta de vegetais com humidade controlada

(FreSHelf)

(Esta característica é opcional)

As taxas de humidade dos vegetais e da fruta são mantidas sob controlo com a função de gaveta de vegetais com humidade controlada e os alimentos mantêm-se frescos durante mais tempo.

Recomendamos que coloque os vegetais de folhas como a alface, espinafres e os vegetais que são sensíveis à perda de humidade, na posição horizontal tanto quanto possível dentro da gaveta para vegetais, e não sobre as raízes na posição vertical.

Enquanto os vegetais estão a ser colocados, a gravidade específica dos mesmos deve ser tida em conta. Os vegetais pesados e rijos devem ser colocados na parte de baixo da gaveta para vegetais e os mais leves e macios devem ser colocados por cima.

Nunca deixar os vegetais dentro da gaveta dentro dos sacos. Se os vegetais forem deixados dentro dos sacos respetivos, isso dará origem à decomposição dos mesmos num curto período de tempo. No caso de não se pretender o contacto com outros vegetais por razões de higiene, deve usar papel perfurado ou outro tipo de materiais de embalagem semelhantes em vez do saco. Não colocar juntos peras, alperces, pêsegos, etc. e maçãs em especial as quais têm um elevado nível de geração de gás etileno na mesma gaveta de vegetais com outros vegetais e fruta. O gás etileno que é produzido por estes frutos pode dar origem a que outros frutos amadureçam mais rapidamente e entrem em decomposição num curto espaço de tempo.

5.14. Icematic automático

(Esta característica é opcional)

O Icematic automático permite-lhe fazer gelo com facilidade no frigorífico. Remover o depósito de água no compartimento do frigorífico, encher com água e instalá-lo novamente para obter gelo a partir do Icematic.

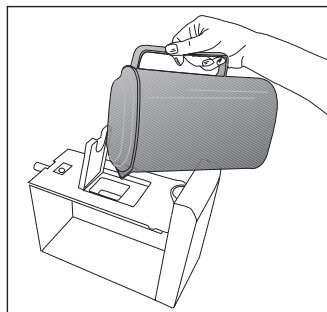
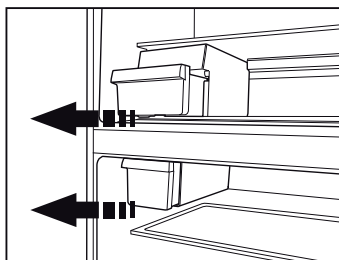
Os primeiros cubos de gelo estarão prontos em aproximadamente 2 horas, na gaveta do Icematic localizada no compartimento do congelador.

Se encher totalmente com água, tem possibilidade de obter aproximadamente 60-70 cubos de gelo.

Substituir a água no depósito da mesma se esta tiver sido colocada no mesmo há cerca de 2-3 semanas.





Para os produtos com Icematic automático, pode ser ouvido um som durante a queda do gelo. Este som é normal e não indício de qualquer erro.




Operar com o produto

5.15.Utilizar a fonte de água fresca

*opcional



	É normal que a água dos primeiros copos retirados do dispensador esteja quente.
	Se o dispensador de água não for usado durante muito tempo, eliminar os primeiros copos de água para obter água limpa.

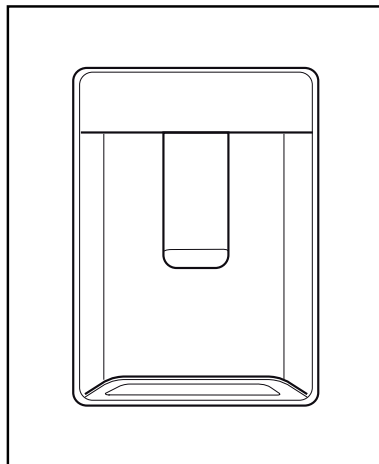
1. Empurrar a alavanca do dispensador de água com o seu copo. Se estiver a usar um copo de plástico macio, empurrar a alavanca com a mão para ser mais fácil.
2. Depois de encher o copo até ao nível pretendido, soltar a alavanca.

	Deve notar que a quantidade do fluxo de água do dispensador depende da velocidade com que solta a alavanca. À medida que o nível de água na sua taça/copo aumenta, reduzir suavemente a quantidade de pressão na alavanca para evitar derramamento. Se pressionar ligeiramente a alavanca, a água pingará, isto é muito normal e não é uma avaria.
---	--


5.16.Utilizar a fonte de água fresca

*opcional

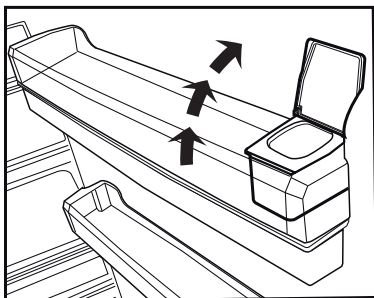
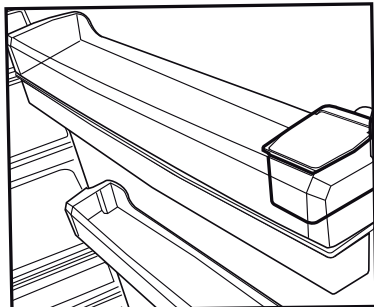
	É normal que a água dos primeiros copos retirados do dispensador esteja quente.
	Se o dispensador de água não for usado durante muito tempo, eliminar os primeiros copos de água para obter água limpa.



1. Empurrar a alavanca do dispensador de água com o seu copo. Se estiver a usar um copo de plástico macio, empurrar a alavanca com a mão para ser mais fácil.
2. Depois de encher o copo até ao nível pretendido, soltar a alavanca.

	Deve notar que a quantidade do fluxo de água do dispensador depende da velocidade com que solta a alavanca. À medida que o nível de água na sua taça/copo aumenta, reduzir suavemente a quantidade de pressão na alavanca para evitar derramamento. Se pressionar ligeiramente a alavanca, a água pingará, isto é muito normal e não é uma avaria.
---	--

Operar com o produto



5.17. Encher o depósito do dispensador de água

O reservatório para enchimento do depósito de água está localizado no interior da estrutura da porta.

1. Abrir a tampa do depósito.
2. Encher o depósito com água potável fresca.
3. Fechar a tampa.



Não encher o depósito de água com qualquer outro líquido exceto água, como sumos de fruta, bebidas gasosas ou bebidas alcoólicas que não são adequadas para usar no dispensador de água. O dispensador de água ficará irremediavelmente danificado se forem usados estes tipos de líquidos. A garantia não cobre estas utilizações. Algumas substâncias químicas e aditivos contido neste tipo de bebidas/líquidos podem danificar o depósito da água.



Usar apenas água potável.



A capacidade do depósito de água é de 3 litros, não encher demasiado.

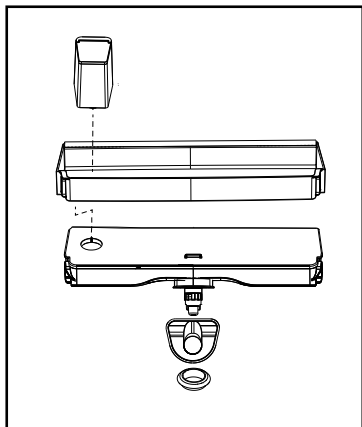
5.18. Limpar o depósito de água

1. Remover o reservatório de enchimento de água no interior da estrutura da porta.
2. Remover a estrutura da porta segurando em ambos os lados.
3. Segurar o depósito de água de ambos os lados e removê-lo com um ângulo de 45°C.
4. Remover a tampa do depósito de água e limpar o mesmo.



Os componentes do depósito de água e do dispensador de água não podem ser lavados na máquinas de lavar loiça.

Operar com o produto

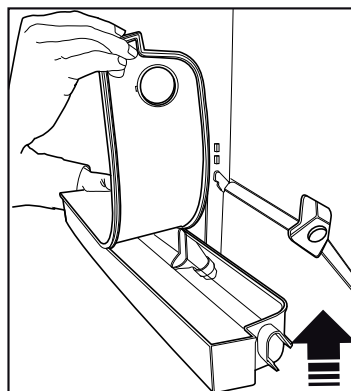
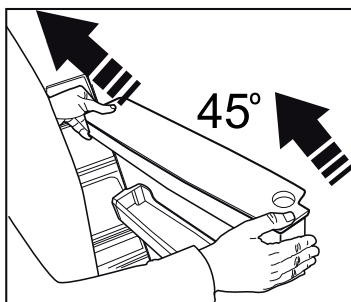
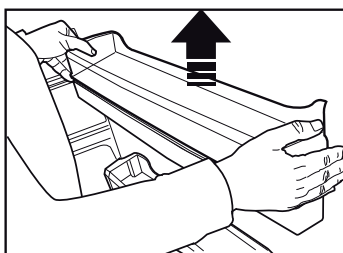
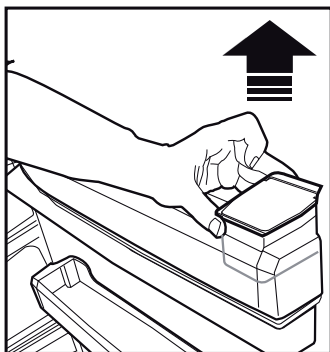
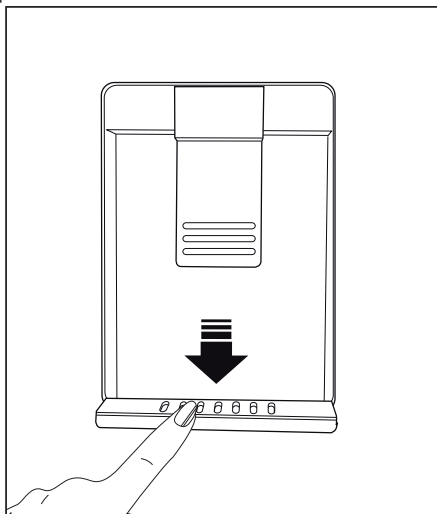


5.19. Tabuleiro para gotas de água

A água que pinga enquanto está a usar o dispensador de água acumula-se no tabuleiro para os pingos de água.

Remover o filtro de plástico conforme mostrado na figura.

Com um pano limpo e seco, remover a água que ficou acumulada.



Operar com o produto

5.20. Congelar alimentos frescos

- De modo a preservar a qualidade dos alimentos, estes devem ser congelados tão rapidamente quanto possível quando é colocado no compartimento do congelador, usar a função de congelamento rápido para este efeito.
 - Pode armazenar os alimentos durante mais tempo no compartimento do congelador quando os congela quando ainda estão frescos.
 - Embalar os alimentos a serem congelados e fechar a embalagem de modo a que não haja entrada de ar.
 - Assegurar que embala os seus alimentos antes de os colocar no congelador. Usar recipientes para congelamento, papel de alumínio e papel à prova de humidade, sacos de plástico ou materiais de embalagem semelhantes, em vez do papel de embalagem tradicional.
 - Etiquetar cada uma das embalagens adicionando a data antes de congelar. Pode distinguir a frescura de cada embalagem de alimentos de cada vez que abre o congelador. Armazenar os alimentos congelados na parte frontal do compartimento para assegurar que são os primeiros a serem utilizados.
- Os alimentos congelados têm de ser usados imediatamente depois de terem sido descongelados e não devem ser congelados novamente.
 - Não congelar grandes quantidades de alimentos de uma só vez.



O compartimento do congelador descongela automaticamente.

Definições do Compartimento Congelador	Definições do compartimento frigorífico	Observações
-18°C	4°C	Esta é a definição normal recomendada.
-20,-22 ou -24°C	4°C	Estas definições são recomendadas para temperaturas ambientes excedendo 30°C.
Congelamento Rápido	4°C	Usar quando pretender congelar os seus alimentos num curto espaço de tempo. O seu produto voltará ao modo anterior quando o processo termina.
-18°C ou mais frio	2°C	Usar estas definições se achar que o compartimento do seu frigorífico não estiver suficientemente frio devido às condições ambientais quentes ou à abertura e fecho frequente da porta.

Operar com o produto

5.21. Recomendações para preservar alimentos congelados

O compartimento deve estar colocado a -18°C no mínimo.

1. Colocar as embalagens no congelador o mais rapidamente possível depois da compra sem permitir que descongelem.
2. Verificar se as datas de “Usar por” e “Validade” na embalagem já estão expiradas ou não antes de o congelar.
3. Assegurar que a embalagem dos alimentos não está danificada.

5.22. Informação do congelador

De acordo com as normas IEC 62552, o produto deve congelar pelo menos 4,5 kg de alimentos a 25°C de temperatura ambiente para -18°C ou mais baixa em 24 horas por cada 100 litros de volume do congelador.

É possível preservar os alimentos durante um longo período de tempo apenas a -18°C ou temperaturas mais baixas.

Pode manter a frescura dos alimentos durante muitos meses (a -18°C ou temperaturas mais baixas na congelação profunda).

Os alimentos a serem congelados não devem entrar em contacto com itens anteriormente congelados para evitar que fiquem parcialmente descongelados. Ferver os vegetais e esvaziar a respetiva água de modo a guardar os vegetais congelados durante um longo período de tempo. Depois de esvaziar a respetiva água, colocá-los em embalagens de vácuo e colocar as mesmas dentro do congelador. Alimentos como as bananas, tomates, alface, aipo, ovos cozidos, batatas não são adequados para congelar. Quando estes alimentos são congelados, somente é afetado negativamente o seu valor nutricional e o seu sabor. Não devem deteriorados de modo que não criem situações de risco para a saúde humana.

5.23. Colocar alimentos

Prateleiras do compartimento congelador	Vários produtos congelados, incluindo carne, peixe, gelado, vegetais, etc.
Prateleiras do compartimento refrigerador	Alimentos em frigideiras, pratos com tampa e recipientes fechados, ovos (em recipiente fechado)
Prateleiras da porta do compartimento do frigorífico	Alimentos pequenos e embalados ou bebidas
Gaveta para vegetais	Vegetais e fruta
Compartimento de alimentos frescos	Charcutaria (pequeno almoço, produtos de carne a serem consumidos a curto prazo)

5.24. Botão para abrir a porta

(Esta característica é opcional)

O aviso de abertura da porta é dado ao utilizador tanto visual como acusticamente. Se o aviso continuar durante 10 minutos, as luzes no interior desligar-se-ão.

5.25. Mudar a direção da abertura da porta

A direção da abertura da porta do seu refrigerador pode ser alterada conforme o local em que o está a utilizar. Se isto for necessário, deve contactar o Serviço Autorizado mais próximo.

A descrição acima é uma informação geral. Para informação sobre como alterar a direção da abertura da porta, deve consultar o rótulo de advertência localizado no lado de dentro da porta.

5.26. Lâmpada de iluminação

As lâmpadas LED são usadas como lâmpadas de iluminação. Contactar o serviço autorizado no caso de surgir algum problema com este tipo de luz. A(s) lâmpada(s) usada(s) neste aparelho não são adequadas para iluminação de salas domésticas. O fim adequado desta lâmpada é ajudar o utilizador a colocar produtos alimentares no frigorífico/ congelador de forma segura e confortável.

Operar com o produto

5.27.Blue light/HarvestFresh

***Pode não estar disponível em todos os modelos**

Para a Blue Light,

as frutas e vegetais armazenados nos compartimentos que são iluminados com a luz azul continuam sua fotossíntese por meio do efeito do comprimento de onda da luz azul e, assim, preservam seu conteúdo vitamínico.

Para a HarvestFresh,

as frutas e legumes armazenados em compartimentos iluminados com a tecnologia HarvestFresh preservam suas vitaminas por mais tempo, graças aos ciclos de luz azul, verde, vermelha e escuro, que simulam um ciclo diurno.

Se abrir a porta do frigorífico durante o período escuro da tecnologia HarvestFresh, o frigorífico irá automaticamente detectar e ativar a luz azul, verde ou vermelha para iluminar o compartimento para a sua conveniência. Depois de fechar a porta do frigorífico, o período escuro continuará, representando a noite num ciclo diurno.

5.28.O compartimento de laticínios (armazenamento frio)

Fornece temperatura mais baixa no compartimento do frigorífico. Usar este compartimento para armazenamento de charcutaria (salame, salsichas, produtos lácteos e etc.) que necessitam de temperatura de armazenagem mais baixa, ou produtos de carne, frango ou peixe para consumo imediato. Não armazenar frutas e vegetais neste compartimento.

6 Manutenção e limpeza

A vida útil do produto aumenta se este for limpo regularmente.



ADVERTÊNCIA: Desligar em primeiro lugar o produto antes de limpar o frigorífico.

- Nunca usar para a limpeza utensílios afiados e abrasivos, detergente, soluções de limpeza doméstica, cera para polir.
- Dissolver uma colher de chá de carbonato em meio litro de água. Embeber um pano com a solução e torcê-lo totalmente. Limpar o interior do aparelho com este pano e secar totalmente.
- Assegurar que não entra água no compartimento da lâmpada e de outros itens elétricos.
- Limpar a porta usando um pano húmido. Para remover a porta e a estrutura das prateleiras, remover todo o seu conteúdo. Remover as prateleiras da porta movendo-as para cima. Depois de limpar, deslizar as mesmas do topo para a base para as instalar.
- Nunca usar soluções de limpeza ou água que contenha lexívia para limpar as superfícies exteriores e as partes cromadas do produto. A lexívia dá origem a corrosão nas referidas superfícies metálicas.

6.1. Evitar maus odores

Os materiais que podem causar odores não são usados na produção dos nossos equipamentos. No entanto, devido a condições deficientes de conservação de alimentos e à não limpeza da superfície interior do aparelho conforme é necessário, isso pode dar origem ao problema do odor.

Portanto, limpar o frigorífico com carbonato dissolvido em água em cada duas semanas.

- Manter os alimentos em recipientes fechados. Os microorganismos espalham-se a partir dos recipientes não tapados e podem dar origem a odores desagradáveis.
- Nunca guardar alimentos no frigorífico com a data de validade ultrapassada ou se estiverem estragados.

6.2. Proteger superfícies de plástico

Limpar imediatamente com água morna dado o óleo poder causar danos na superfície quando é derramado sobre superfícies plásticas.

6.3. Vidros da Porta

Retirar toda a película de proteção dos vidros.

Há um revestimento nas superfícies de vidro. Este revestimento minimiza a formação de manchas e ajuda a remover as possíveis manchas e sujidade com facilidade. Os vidros que não estão protegidos com o referido revestimento podem estar sujeitos à pressão persistente de sujidade orgânica ou inorgânica baseada em água ou ar como o calcário, sais minerais, hidrocarbonetos não queimados, óxidos de metal e silicones que podem fácil e rapidamente causar manchas ou danos no material. Manter o vidro limpo torna-se muito difícil apesar da limpeza regular. Consequentemente, o aspeto e a transparência do vidro deteriora-se. Métodos e compostos de limpeza abrasivos e corrosivos intensificarão estes defeitos e acelerarão o processo de deterioração.

Têm de ser usados produtos de limpeza baseados em água que não são alcalinos e corrosivos para a limpeza regular.

Têm de ser usados materiais não alcalinos e não corrosivos para a limpeza de modo que a vida útil deste revestimento dure durante um longo período de tempo. Estes vidros são temperados para aumentar a sua durabilidade contra impactos e quebra. É igualmente aplicada uma película de segurança nas respetivas superfícies traseiras como medida suplementar de modo a impedir que causem danos à sua volta no caso de uma quebra.

“Alcali é uma base que forma os iões de hidróxido (OH) quando é dissolvido na água.

Li (Lítio), Na (Sódio), K (Potássio) Rb (Rubídio), Cs (Césio) e metais artificiais e radioativos Fr (Fân-sium) são designados por METAIS ALCALINOS.

7 Resolução de problemas

Verificar a lista antes de contactar a assistência. Fazer isto poupa-lhe tempo e dinheiro. Esta lista inclui queixas frequentes que não estão relacionadas com o fabrico ou materiais defeituosos. Certas características mencionadas neste documento podem não ser aplicáveis ao seu produto.

O frigorífico não está a funcionar.

- A ficha de alimentação não está totalmente ajustada. >>> Ligá-la para a ajustar completamente à tomada.
- O fusível ligado à tomada de ligação do produto ou o fusível principal está queimado. >>> Verificar os fusíveis.

Condensação na parede lateral do compartimento refrigerador (ZONA MÚLTIPLA, ZONA DE FRESCOS, CONTROLO e FLEXIVEL).

- A porta é aberta com muita frequência >>> Ter cuidado para não abrir a porta do produto tão frequentemente.
- O ambiente está demasiado húmido. >>> Não instalar o produto em ambientes húmidos.
- Alimentos contendo líquidos estão colocados em recipientes não fechados. >>> Manter os alimentos contendo líquidos em recipientes fechados.
- A porta do produto foi deixada aberta. >>> Não manter a porta do produto aberta por períodos longos.
- O termostato está definido para temperatura demasiado baixa. >>> Definir o termostato para temperatura adequada.

O compressor não está a funcionar.

- Em caso de falta de energia repentina ou retirar a ficha de alimentação e colocar de novo, a pressão do gás no sistema de refrigeração do produto não é equilibrada, o que desencadeia a salvaguarda térmica do compressor. O produto voltará a ligar-se depois de aproximadamente 6 minutos. Se o produto não se voltar a ligar depois deste período, contactar a assistência.
- Descongelação está activa. >>> Isto é normal para um produto de descongelação totalmente automática. A descongelação é executada periodicamente.
- O produto não está ligado. >>> Assegurar que o cabo de alimentação está ligado.
- A definição de temperatura é incorrecta. >>> Seleccionar a definição de temperatura adequada.
- Não há energia. >>> O produto continuará a funcionar normalmente assim que a energia seja restabelecida.

O ruído de funcionamento do frigorífico aumenta durante a utilização.

- O desempenho de funcionamento do produto pode variar dependendo das variações de temperatura do ambiente. Isto é normal e não é um mau funcionamento.

O frigorífico funciona muito frequentemente ou por muito tempo.

Resolução de problemas

- O novo produto pode ser maior do que o anterior. Produtos maiores funcionam por períodos mais longos.
- A temperatura da sala pode ser elevada. >>> O produto funcionará normalmente por períodos mais longos com temperaturas de sala mais elevadas.
- O produto foi ligado recentemente ou foi colocado no interior um novo alimento. >>> O produto levará mais tempo a atingir a temperatura definida quando recentemente ligado ou quando é colocado um novo alimento no interior. Isto é normal.
- Grandes quantidades de alimentos quentes podem ter sido colocadas recentemente no produto. >>> Não colocar alimentos quentes no produto.
- As portas foram abertas frequentemente ou deixadas abertas por períodos longos. >>> O ar quente que se move no interior fará o produto funcionar mais tempo. Não abrir as portas com demasiada frequência.
- A porta do congelador ou refrigerador pode estar entreaberta. >>> Verificar se as portas estão completamente fechadas.
- O produto pode estar definido para temperatura demasiado baixa. >>> Definir a temperatura para um grau mais elevado e aguardar que o produto atinja a temperatura ajustada.
- A junta da porta do congelador ou refrigerador pode estar suja, desgastada, partida ou não ajustada adequadamente. >>> Limpar ou substituir a junta. A junta da porta danificada / cortada fará o produto funcionar por períodos mais longos para preservar a temperatura actual.

A temperatura do congelador está muito baixa, mas a temperatura do refrigerador é adequada.

- A temperatura do compartimento de congelação está definida para um grau muito baixo. >>> Definir a temperatura do compartimento de congelação para um grau mais elevado e verificar de novo.

A temperatura do refrigerador está muito baixa, mas a temperatura do congelador é adequada.

- A temperatura do compartimento de refrigeração está definida para um grau muito baixo. >>> Definir a temperatura do compartimento de refrigeração para um grau mais elevado e verificar de novo.

Os alimentos guardados em gavetas do compartimento de refrigeração estão congelados.

- A temperatura do compartimento de refrigeração está definida para um grau muito baixo. >>> Definir a temperatura do compartimento de congelação para um grau mais elevado e verificar de novo.

A temperatura no refrigerador ou congelador é demasiado elevada.

- A temperatura do compartimento de refrigeração está definida para um grau muito elevado. >>> A definição de temperatura do compartimento de refrigeração influencia a temperatura do compartimento de congelação. Altere a temperatura do compartimento de refrigeração ou congelação e aguarde até que os referidos compartimentos atinjam o nível de temperatura ajustado.
- As portas foram abertas frequentemente ou deixadas abertas por períodos longos. >>> Não abrir as portas com demasiada frequência.
- A porta pode estar entreaberta. >>> Fechar completamente a porta.
- O produto foi ligado recentemente ou foi colocado no interior um novo alimento. >>> Isto é normal. O produto levará mais tempo a atingir a temperatura definida quando recentemente ligado ou um novo alimento é colocado no interior.
- Grandes quantidades de alimentos quentes podem ter sido colocadas recentemente no produto. >>> Não colocar alimentos quentes no produto.

Vibração ou ruído.

Resolução de problemas

- O chão não está nivelado ou não é resistente. >>> Se o produto vibra quando movido lentamente, ajustar os pés para equilibrar o produto. Assegurar também que o chão é suficientemente resistente para suportar o produto.
- Alguns itens colocados no produto podem causar ruídos. >>> Retirar alguns itens colocados no produto.

O produto está a fazer ruído de líquido a fluir, pulverização, etc.

- Os princípios de funcionamento do produto incluem fluidos líquidos e gasosos. >>> Isto é normal e não um mau funcionamento.

Há som de vento a soprar proveniente do produto.

- O produto usa uma ventoinha no processo de refrigeração. Isto é normal e não é um mau funcionamento.

Há condensação nas paredes internas do produto.

- Meio ambiente quente ou húmido aumentará a formação de gelo e condensação. Isto é normal e não é um mau funcionamento.
- As portas foram abertas frequentemente ou deixadas abertas por períodos longos. Não abrir as portas com demasiada frequência; se aberta, fechar a porta.
- A porta pode estar entreaberta. >>> Fechar completamente a porta.

Há condensação no exterior do produto ou entre as portas.

- O meio ambiente pode estar húmido, isto é perfeitamente normal com tempo húmido. >>> A condensação dissipa quando a humidade diminuir.

O interior cheira mal.

- O produto não é limpo regularmente. >>> Limpar o interior regularmente usando uma esponja, água quente e água com carbonato.
- Alguns recipientes e materiais de embalagem podem provocar odores. >>> Usar recipientes e materiais de embalagem isentos de odor.
- Os alimentos foram colocados em recipientes não vedados. >>> Manter os alimentos em recipientes fechados. Os microrganismos podem disseminar-se dos alimentos não fechados e causar mau cheiro.
- Retirar quaisquer alimentos fora de prazo e estragados do frigorífico.

A porta não está a fechar.

- Embalagens de alimentos podem bloquear a porta. >>> Recolocar quaisquer itens que bloqueiem as portas.
- O produto não está colocado em posição vertical no chão. >>> Ajustar os pés para equilibrar o produto.
- O chão não está nivelado ou não é resistente. >>> Assegurar que o chão é nivelado e suficientemente resistente para suportar o produto.

A gaveta para vegetais está presa.

- Os alimentos podem estar em contacto com a secção superior da gaveta. >>> Reorganizar os alimentos na gaveta.

Se a superfície do produto estiver quente.

- Podem notar-se temperaturas elevadas entre as duas portas, nos painéis laterais e na grelha traseira quando o produto está a funcionar. Esta situação é normal e não exige serviço de manutenção!



RECOMENDAÇÕES: Se os problemas persistirem depois de seguir as instruções nesta secção, contactar o seu vendedor ou uma Assistência Autorizada. Não tentar reparar o produto.

ISENÇÃO DE RESPONSABILIDADE /ADVERTÊNCIA

Algumas falhas (simples) podem ser tratadas de forma adequada pelo utilizador final sem que surja qualquer problema de segurança ou de utilização não segura, desde que as mesmas sejam solucionadas dentro dos limites e de acordo com as seguintes instruções (consultar a secção “Reparação Autónoma”.

Portanto, exceto se contrariamente autorizado na secção “Reparação Autónoma” abaixo, as reparações devem ser realizadas por profissionais reparadores registados de modo a evitar problemas de segurança. Um reparador profissional registado é um reparador profissional a quem o fabricante concedeu acesso às instruções e à lista de peças de substituição deste produto de acordo com os métodos descritos na lei nos termos da Diretiva 2009/125/CE.

No entanto, apenas o agente de reparação (ou seja, os reparadores profissionais autorizados) com quem pode entrar em contacto através do número de telefone fornecido no manual do utilizador/cartão da garantia ou através do seu revendedor autorizado que pode fornecer serviços de acordo com os termos de garantia. Portanto, deve estar ciente de que as reparações feitas por reparadores profissionais (não autorizados por Beko) anulam a garantia.

Reparação Autónoma

A reparação autónoma pode ser feita pelo utilizador final em relação à seguintes peças de substituição: porta, manípulos, dobradiças das portas, tabuleiros, cestos e vedantes da porta (é disponibilizada uma lista atualizada em support.beko.com) a partir de 1 de março de 2021).

Além disso, para garantir a segurança do produto e evitar o risco de ferimentos graves, a reparação autónoma referida deve ser feita seguindo as instruções do manual do utilizador para reparação autónoma ou as que estão

disponíveis em support.beko.com Para sua segurança, deve desligar o produto antes de tentar fazer qualquer reparação autónoma.

As tentativas de reparação feitas pelos utilizadores finais de peças não incluídas na referida lista e/ou não seguindo as instruções nos manuais do utilizador relativamente à mesma ou que se encontram disponíveis em support.beko.com, podem levantar questões de segurança não atribuíveis a Beko, e anularão a garantia do produto.

Portanto, é altamente recomendável que os utilizadores finais evitem tentar realizar reparações que não se enquadrem na lista mencionada de peças de substituição, e nesse caso deverão contactar com reparadores profissionais autorizados ou reparadores profissionais registados. Por outro lado, as referidas tentativas por parte dos utilizadores finais podem provocar problemas de segurança e danificar o produto e, subsequentemente, provocar incêndio, inundação, eletrocussão e ferimentos graves.

Por exemplo, mas não limitado a, as seguintes reparações devem ser realizadas por Reparadores profissionais autorizados ou registados: compressor, circuito de refrigeração, placa de circuitos, placa do inversor, placa do visor, etc.

O fabricante/vendedor não pode ser responsabilizado em circunstâncias em que os utilizadores finais não cumpram com o acima referido.

A disponibilidade de peças de substituição da frigorífico que comprou é de 10 anos. Durante este período, as peças de substituição originais estarão disponíveis para operar corretamente a frigorífico. A duração mínima da garantia do frigorífico que adquiriu é de 24 meses.

Lees deze handleiding voor u het product gebruikt!

Beste gewaardeerde klant,

Wij willen dat u kunt genieten van optimale resultaten van uw product dat zorgvuldig werd vervaardigd in moderne fabrieken en getest met gedetailleerde kwaliteitscontroles.




Om die reden raden wij aan dat u deze handleiding grondig leest voor u het product start. Als u het product doorgeeft aan iemand anders mag u niet vergeten ook de handleiding mee te geven.

Deze handleiding zal u helpen uw apparaat snel en veilig te gebruiken.

- Lees deze handleiding zorgvuldig voor u het product installeert en gebruikt.
- U moet altijd de toepasselijke veiligheidsinstructies volgen.
- Bewaar de handleiding op een gemakkelijk toegankelijke plaats voor gebruik in de toekomst.
- Lees alle andere documenten die worden geleverd met het product.

Denk eraan dat deze handleiding van toepassing kan zijn op meerdere modellen van het product. Deze handleiding wijst uitdrukkelijk op de verschillen tussen uiteenlopende modellen.

	Belangrijke informatie en nuttige tips.
	Risico van persoonlijke letsels en materiele schade.
	Risico van elektrische schokken.
	Het verpakkingsmateriaal van dit product werd vervaardigd van recyclebaar materiaal in overeenstemming met de Nationale milieuwetgeving.

	INFORMATIE
	
<small>SUPPLIER'S NAME</small> A	<small>MODEL IDENTIFIER (*)</small> A
De informatie van het model zoals opgeslagen in de product-databank is toegankelijk op de onderstaande website. Zoek uw model identificatie (*) vermeld op het energielabel.	
https://eprel.ec.europa.eu/	

1	Belangrijke Veiligheids- en omgevingsinstructies	3		
1.1.	Algemene veiligheid	3		
1.1.1	HC waarschuwing	6		
1.1.2	Voor modellen met een waterfontein	6		
1.2.	Bedoeld gebruik	7		
1.3.	Kinderveiligheid	7		
1.4.	Conformiteit met de WEEE-richtlijn en Verwijdering van afvalproducten	7		
1.5.	Conformiteit met de RoHS-richtlijn	7		
1.6.	Informatie op de verpakking	7		
2	Uw koelkast	8		
3	Installatie	9		
3.1.	Correcte plaats voor de installatie	9		
3.2.	De plastic spieën bevestigen	9		
3.3.	De voetjes aanpassen	9		
3.4.	Stroomaansluiting	9		
4	Vorbereiding	11		
4.1.	Wat u kunt doen om energie te besparen	11		
4.2.	Eerste gebruik	11		
5	Het product gebruiken	12		
5.1.	Indicatorpaneel	12		
5.2.	IJsemmer	15		
5.3.	Eihouder	15		
5.4.	Ventilator	15		
5.5.	Groentevak	15		
5.6.	Nul-graden compartiment	15		
5.7.	Het gebruik van de tweede crisper van het product;	16		
5.8.	Bewegend deurrek	17		
5.9.	Ijsvak	17		
5.10.	Ontgeurdermodule	17		
5.11.	Groentevak met vochtigheidsregeling	18		
5.12.	Automatische ijsmachine	18		
5.13.	Icematic en ijsvak container	19		
5.14.	Het gebruik van de waterdispenser	19		
5.15.	Het reservoir van de dispenser opvullen met water	20		
5.16.	Het waterreservoir schoonmaken	21		
5.17.	Druppelvanger	21		
5.18.	HerbBox/HerbFresh	22		
5.19.	Verse etenswaren invriezen	23		
5.20.	Aanbevelingen voor het opslaan van ingevroren etenswaren	23		
5.21.	Informatie over de diepvriezer	24		
5.22.	De etenswaren plaatsen	24		
5.23.	Deur open alarm	24		
5.24.	De openingsrichting van de deur wijzigen	24		
5.25.	Interne verlichting	24		
5.26.	Blauw licht/HarvestFresh	25		
5.27.	De lade voor zuivelproducten (koude opberging)	25		
6	Zorg en reiniging	26		
6.1.	Onaangename geurtjes vermijden	26		
6.2.	Bescherming van plastic oppervlakkane	26		
6.3.	De binnenzijde reinigen	26		
6.4.	Roestvrij stalen externe oppervlakten	27		
6.5.	Reinigingsproducten glazen deuren	27		
6	Zorg en reiniging	27		
7	Probleemoplossing	28		

1 Belangrijke Veiligheids- en omgevingsinstructies

Deze sectie bevat de noodzakelijke veiligheidsinstructies om risico op letsels of materiële schade te vermijden. Het niet naleven van deze instructies resulteert in de nietigverklaring van alle mogelijke productgaranties.

Bedoeld gebruik

Dit product is bedoeld om te worden gebruikt:

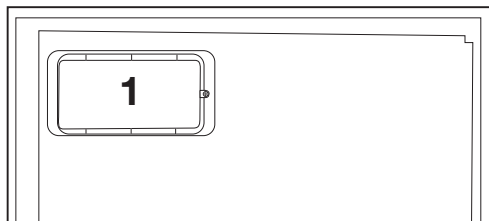
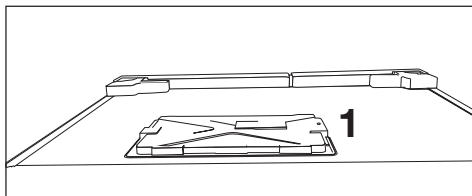
- binnen en in gesloten omgevingen zoals huizen;
- in gesloten werkomgevingen zoals kantoren en winkels;
- in gesloten accommodatieomgevingen zoals boerderijen, hotels, pensions.
- Het toestel mag niet buitenshuis worden gebruikt.

1.1. Algemene veiligheid

- Dit product mag niet worden gebruikt door personen met fysieke, gevoelsmatige en mentale handicaps, door personen met onvoldoende kennis en ervaring of door kinderen. Het apparaat mag enkel worden gebruikt door dergelijke personen als ze onder toezicht en instructies staan van een persoon die verantwoordelijk is voor hun veiligheid. Kinderen mogen niet met dit apparaat spelen.

- Als er een defect optreedt, moet u de stekker verwijderen uit het stopcontact.
- Nadat u de stekker hebt verwijderd, moet u 5 minuten wachten voor u hem opnieuw in het stopcontact voert.
- Verwijder de stekker van het product uit het stopcontact als u het niet gebruikt.
- U mag het product niet aanraken met natte handen! Trek niet aan het netsnoer maar houd het steeds vast bij de stekker.
- Wrijf de pinnen van de stekker af met een droge doek voor u hem in het stopcontact voert.
- U mag de stekker van de koelkast niet invoeren als het stopcontact los zit.
- Verwijder de stekker uit het stopcontact tijdens de installatie, onderhoudswerken, reiniging en reparaties.
- Als u het product gedurende een lange periode niet gebruikt, moet u de stekker van het product uit het stopcontact verwijderen en alle etenswaren verwijderen.
- Gebruik het product niet als het compartiment met circuitkaarten op het bovenste deel achteraan van het product (elektrische kaart doos deksel) (1) open is.

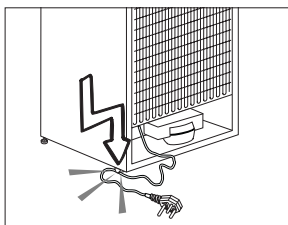
Veiligheids- en omgevingsinstructies



- Gebruik geen stoom of stoomreinigers om de koelkast te reinigen en het ijs te smelten. Stoom kan in contact komen met de geëlektrificeerde zones en kortsluitingen of elektrische schokken veroorzaken!
- U mag het product niet reinigen door er water op te verstuiven of te gieten! Gevaar van elektrische schokken!
- Als er een defect optreedt, mag u het product niet gebruiken want dit kan elektrische schokken veroorzaken. Neem contact op met de geautoriseerde dienst voor u iets doet.
- Voer de stekker in een geaard stopcontact. De aarding moet worden uitgevoerd door een gekwalificeerde elektricien.
- Als het product voorzien is van een LED-type verlichting moet u contact opnemen met de geautoriseerde dienstverlening om het te vervangen als er een probleem optreedt.
- Raak geen bevroren goederen aan met natte handen! Ze kunnen blijven plakken aan uw handen!
- Plaats geen vloeistoffen in flessen en blikjes in het vriesvak. Deze kunnen namelijk barsten!
- Plaats vloeistoffen rechtop nadat u het deksel stevig hebt gesloten.
- U mag geen ontvlambare stoffen in de buurt van het product verstuiven want deze kunnen branden of ontploffen.
- Bewaar geen ontvlambaar materiaal en producten met ontvlambaar gas (sprays, etc.) in de koelkast.
- Plaats geen containers met vloeistof bovenop het product. Water spatten op een geëlektrificeerd onderdeel

Veiligheids- en omgevingsinstructies

- kan elektrische schokken veroorzaken en fataal aflopen.
- Het product blootstellen aan regen, sneeuw, zonlicht en wind veroorzaakt elektrisch gevaar. Als u het product verplaatst, mag u er niet aan trekken bij het handvat. Het handvat kan los komen.
- Zorg ervoor uw handen of lichaam niet te klemmen in een van de bewegende delen van het product.
- U mag niet stappen of leunen op de deur, laden of gelijkaardige delen van de koelkast. Dit kan er toe leiden dat het product valt en het kan schade veroorzaken aan de onderdelen.
- Let erop het netsnoer niet te klemmen.



- Zorg er bij het plaatsen van het apparaat voor dat het stroomsnoer niet ingeklemd of beschadigd is.

- Plaats geen stekkerdozen of draagbare stroomvoorzieningen aan de achterkant van het apparaat.
- Kinderen tussen de 3 en 8 jaar mogen koelapparatuur in- en uitladen.
- Om besmetting met levensmiddelen te vermijden, dienen de volgende instructies te worden nageleefd:
 - – Het langdurig openen van de deur kan een behoorlijke temperatuurstijging in de schappen van het apparaat veroorzaken.
 - – Reinig regelmatig oppervlakken die in contact kunnen komen met levensmiddelen en toegankelijke afvoersystemen.
 - – Reinig waterreservoirs indien deze 48 uur niet zijn gebruikt; spoel het watersysteem dat is aangesloten op een watertoevoer, indien het water gedurende 5 dagen niet is gebruikt.
 - – Bewaar rauw vlees en rauwe vis in geschikte schalen in de koelkast, zodat het niet in contact kan komen met of kan druppelen op andere levensmiddelen.

Veiligheids- en omgevingsinstructies

- – Vriesvakken met twee sterren zijn geschikt het bewaren van diepvriesvoedsel en bewaren en maken van ijs en ijsblokjes.
- – Vriesvakken met een, twee en drie sterren zijn niet geschikt voor het invriezen van verse levensmiddelen.
- – Als het koelapparaat langdurig leeg blijft, schakel het dan uit, ontdooi, reinig en droog het en laat de deur open om te voorkomen dat er zich binnenin het apparaat schimmel ontwikkelt.

1.1.1 HC waarschuwing

Als het product voorzien is van een koelsysteem met R600 gas moet u er op letten het koelsysteem en de leiding niet te beschadigen wanneer u het product gebruikt of verplaatst. Dit gas is ontvlambaar. Als het koelsysteem beschadigd is, moet u het product uit te buurt van brandhaarden houden en de ruimte onmiddellijk ventileren.



Het label links aan de binnenzijde geeft het type gas aan dat in het product wordt gebruikt.

1.1.2 Voor modellen met een waterfontein

- De druk van de koud waterinlaat mag maximum 90psi (6,2 bar) bedragen. Als uw waterdruk hoger is dan 80psi (5,5 bar) moet u een drukk begrenzer gebruiken in uw netwerk. Als u niet weet hoe u uw waterdruk kunt controleren, moet u hulp vragen van een professionele loodgieter.
- Als het risico bestaat op een waterslageffect in uw installatie moet u altijd een waterslag preventie apparatuur installeren. Raadpleeg een professionele loodgieter als u niet zeker bent of er een waterslageffect aanwezig is in uw installatie.
- Installeer deze niet op de warme waterinlaat. Neem de nodige maatregelen tegen het bevroren van de leidingen. De watertemperatuur

Veiligheids- en omgevingsinstructies

bedrijfsinterval moet minimum 33°F (0,6°C) en maximum 100°F (38°C) zijn.

- Gebruik enkel drinkwater.

1.2. Bedoeld gebruik

- Dit product is ontworpen voor huishoudelijk gebruik. Het is niet bedoeld voor commercieel gebruik.
- Het product mag enkel worden gebruikt om etenswaren en dranken op te slaan.
- U mag geen gevoelige producten bewaren die een gecontroleerde temperatuur vereisen (vaccins, warmtegevoelige medicatie, medische producten, etc.) in de koelkast.
- De fabrikant aanvaardt geen verantwoordelijkheid voor eventuele schade als het gevolg van misbruik of een incorrecte hantering.
- Originele reserveonderdelen worden geleverd gedurende een periode van 10 jaar vanaf de product aankoopdatum.

1.3. Kinderveiligheid

- Houd de verpakking uit de buurt van kinderen.
- Laat kinderen nooit spelen met het product.
- Als de deur van het product voorzien is van een slot moet u ze uit de buurt van kinderen houden.

1.4. Conformiteit met de WEEE-richtlijn en Verwijdering van afvalproducten

Dit product is conform met de EU WEEE-richtlijn (2012/19/EU). Dit product draagt een classificatiesymbool voor afval elektrische en elektronische apparatuur (WEEE).



Dit product werd vervaardigd met kwalitatief hoogstaande onderdelen en materialen die opnieuw kunnen worden gebruikt en die geschikt zijn voor recycling. U mag het afvalproduct niet verwijderen met het normale huishoudelijke en andere afval aan het einde van de

levensduur. Breng het naar een inzamelcentrum voor de recycling van elektrische en elektronische apparatuur. Raadpleeg uw lokale autoriteiten voor meer informatie over deze inzamelcentra.

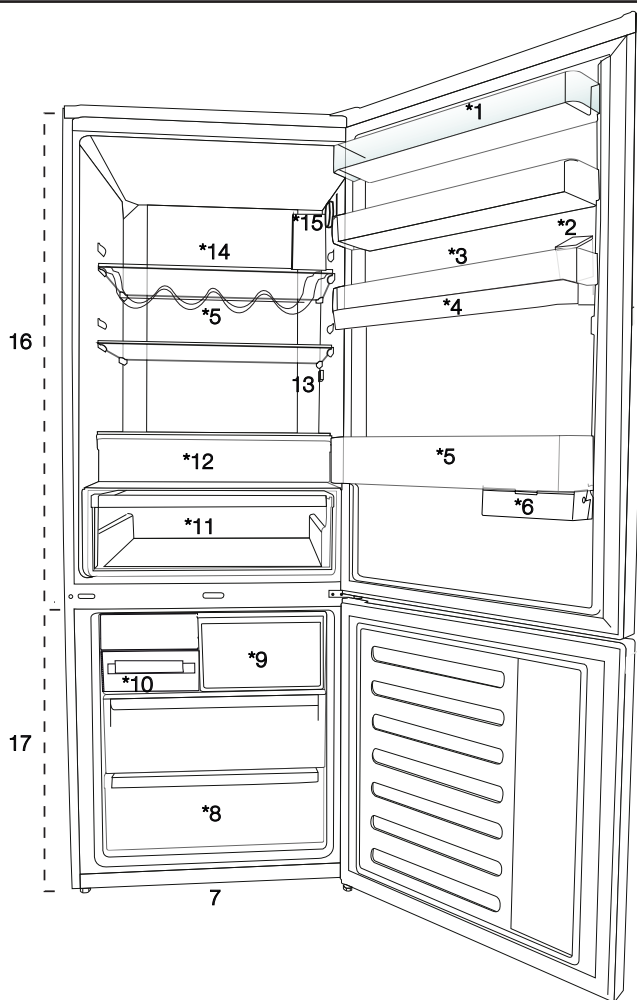
1.5. Conformiteit met de RoHS-richtlijn

- Dit product is conform met de EU WEEE-richtlijn (2011/65/EU). Het bevat geen schadelijk en verboden materiaal zoals gespecificeerd in de Richtlijn.

1.6. Informatie op de verpakking

- Het verpakkingsmateriaal van het product is gefabriceerd van recyclebaar materiaal in overeenstemming met onze Nationale Milieuwetgeving. U mag het verpakkingsmateriaal niet samen met het huishoudelijke of ander afval weggooien. Breng het naar de inzamelpunten voor verpakkingsmateriaal aangewezen door de lokale autoriteiten.

2 Uw koelkast



- | | |
|-----------------------------|---------------------------------|
| 1. Koelvak deurlade | 11. Groentevak |
| 2. Waterdispenser vultank | 12. Nul-graden compartiment |
| 3. Ei-sectie | 13. Interne verlichting |
| 4. Waterdispenser reservoir | 14. Koelvak glazenlade |
| 5. Flessenlade | 15. Temperatuur instelling knop |
| 6. Ijsvak | 16. Koelvak |
| 7. Instelbare voetjes | 17. Vriesvak |
| 8. Vriesvak | |
| 9. Snel vriesvak | |
| 10. Ijslade & ijsbank | |

Is mogelijk niet beschikbaar in alle modellen



***optioneel:** Foto's in deze handleiding dienen enkel als voorbeeld en zijn mogelijk niet exact hetzelfde als uw product. Als de betrokken vakken niet aanwezig zijn in uw product verwijst de informatie naar andere modellen.

3 Installatie

3.1. Correcte plaats voor de installatie

Neem contact op met de Geautoriseerde Dienst voor de installatie van het product. Om het product voor te bereiden voor de installatie kunt u de informatie raadplegen in de handleiding en ervoor zorgen dat de elektrische en watervoorzieningen correct zijn uitgevoerd. Zo niet moet u een elektricien en loodgieter aanspreken om de voorzieningen correct uit te voeren.

	WAARSCHUWING: De fabrikant aanvaardt geen verantwoordelijkheid voor eventuele schade veroorzaakt door werkzaamheden die worden uitgevoerd door niet-geautoriseerde personen.
	WAARSCHUWING: Het netsnoer van het product moet uit het stopcontact worden verwijderd tijdens de installatie. Zo niet kan dit fataal aflopen of resulteren in ernstige letsels!
	WAARSCHUWING: Als de deuropening te nauw is om het product door te laten, moet u de deur verwijderen en het product zijdelings draaien; als dit niet werkt, kunt u contact opnemen met de geautoriseerde dienst.

- Plaats het product op een vlakke ondergrond om trillingen te vermijden.
- Plaats het product minimum 30 cm verwijderd van de radiator, het fornuis en gelijkaardige warmtebronnen en minimum 5 cm van elektrische ovens.
- U mag het product niet blootstellen aan direct zonlicht en u mag het niet bewaren in een vochtige omgeving.
- Het product vereist voldoende luchtcirculatie voor een efficiënte werking.
- Als het product in een muurholte wordt geplaatst, mag u niet vergeten minimum 5 cm tussenruimte te laten tussen het product en het plafond en de muren.
- Installeer het product niet in omgevingen met temperaturen van minder dan -5°C .
- Dit product vereist een goede luchtcirculatie om efficiënt te kunnen werken. Als het product in een muurnis wordt geplaatst, moet u ten minste 5 cm tussenruimte laten tussen het product en het plafond, de achterwand en de muren.
- Als het product in een muurnis wordt geplaatst, moet u ten minste 5 cm tussenruimte laten tussen het product en het plafond, de achterwand en de muren. Controleer of het tussenruimte beveiligingsonderdeel met de muur achteraan aanwezig is (indien geleverd met het product). Als dit

onderdeel niet beschikbaar is, of als het verloren is gegaan of gevallen, moet u het product zodanig positioneren dat er ten minste 5 cm tussenruimte is tussen het product en de muren van de kamer. De tussenruimte achteraan is belangrijk voor de efficiënte werking van het product.

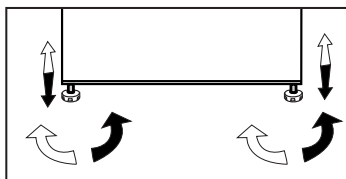
3.2. De plastic spieën bevestigen

Gebruik de plastic spieën die worden geleverd met het product om voldoende ruimte te laten voor de luchtcirculatie tussen het product en de muur.

1. Om de spieën te bevestigen, verwijdert u de schroeven van het product en gebruikt u de schroeven die worden geleverd met de spieën.
2. Bevestig 2 plastic spieën op het ventilatiedeksel zoals aangetoond in de afbeelding.

3.3. De voetjes aanpassen

Als het product niet correct gebalanceerd is, moet u de instelbare voeten vooraan naar links of rechtst draaien.



3.4. Stroomaansluiting

	WAARSCHUWING: Gebruik geen verlengsnoer of meervoudige stopcontacten voor de stroomverbinding.
	WAARSCHUWING: Een beschadigd netsnoer moet worden vervangen door een Geautoriseerde Dienst.
	Als u twee koelers naast elkaar plaatst, moet u minimum 4 cm afstand laten tussen beide toestellen.

- Ons bedrijf aanvaardt geen verantwoordelijkheid voor eventuele schade door het gebruik zonder aarding en stroomverbinding conform de nationale wetgeving.
- De netstekker moet gemakkelijk toegankelijk blijven na de installatie.
- Gebruik geen multi-groep stekker met of zonder verlengsnoer tussen het stopcontact en de koelkast.

3 Installatie



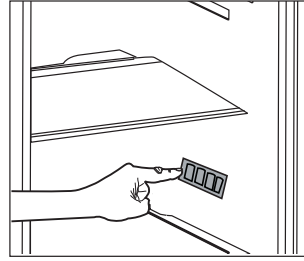
Waarschuwing voor heet oppervlak!
De zijwanden van uw product zijn uitgerust met koelmiddelleidingen om het koelsysteem te verbeteren. Koelmiddel met hoge temperaturen kunnen door deze zones stromoen en dit kan resulteren in warme oppervlakken op deze wanden. Dit is normaal en vereist geen onderhoud. Let op wanneer u deze zones aanraakt.

4.1. Wat u kunt doen om energie te besparen



Het product verbinden met elektronische energiebesparende systemen is schadelijk want het kan uw product beschadigen.

- Voor een vrijstaand apparaat; “dit koelend apparaat is niet bedoeld voor gebruik als een ingebouwd apparaat”;
- Houd de deur van de koelkast niet te lang open.
- Plaats geen warme dranken in de koelkast.
- U mag de koelkast niet te veel opvullen; als u de interne luchtcirculatie blokkeert, vermindert het koelvermogen.
- Om een maximale hoeveelheid etenswaren op te slaan in het koelvak van uw koelkast kunt u de bovenste laden verwijderen en ze op het glazen rek plaatsen. Het vermelde energieverbruik van uw koelkast werd bepaald door het koelvak, ijslade en bovenste laden te verwijderen op een wijze die een optimale bewaring toelaat. Het is aangeraden de onderste lade te gebruiken om etenswaren te bewaren. De energiebesparingsfunctie moet worden ingeschakeld voor een optimaal energieverbruik.
- U mag de luchtstroom niet blokkeren door etenswaren voor de ventilator te plaatsen. U moet minimum 3cm vrij laten voor het rooster van de ventilator wanneer u etenswaren in de koelkast plaatst.
- Afhankelijk van de kenmerken van het product; ingevroren etenswaren ontdooien in het koelvak resulteert in energiebesparing en bewaart de kwaliteit van de etenswaren.
- Etenswaren moeten worden bewaard op de laden in het koelvak om energie te besparen en etenswaren in betere omstandigheden te beschermen.
- Pakketten met etenswaren mogen niet in direct contact staan met de warmtesensor in het koelvak. Als ze in contact staan met de sensor kan het energieverbruik van het apparaat stijgen.
- Als er meerdere opties zijn, moeten de glazen platen zodanig worden geplaatst dat ze de luchtuitlaten op de achterwand niet blokkeren. De luchtuitlaten moeten bij voorkeur onder de glazen platen blijven. Deze combinatie kan bijdragen tot de luchtcirculatie en energie-efficiëntie.
- Zorg ervoor dat de etenswaren niet in contact komen met de hieronder beschreven temperatuursensor van het koelvak.



- Aangezien warme en vochtige lucht niet direct in uw product doordringt als de deuren niet geopend zijn, zal uw product zichzelf optimaliseren in omstandigheden die voldoende zijn om uw voedsel te beschermen. Functies en onderdelen zoals een compressor, ventilator, verwarmers, ontdooien, verlichting, display enzovoort zullen werken volgens de behoeften om in deze omstandigheden een minimum aan energie te verbruiken.

4.2. Eerste gebruik

Voor u de koelkast in gebruik neemt, moet u ervoor zorgen dat u de nodige voorbereidingen treft in overeenstemming met de instructies vermeld in de “Veiligheids- en omgevingsinstructies” en “Installatie” secties.

- Schakel het product in zonder etenswaren en laat het werken gedurende 6 uur. Open de deur niet tenzij absoluut noodzakelijk.



Een geluidssignaal weerklinkt wanneer de compressor wordt ingeschakeld. Het is normaal dat u geluid hoort, zelfs als de compressor niet ingeschakeld is, omwille van de perslucht en gassen in het koelsysteem.



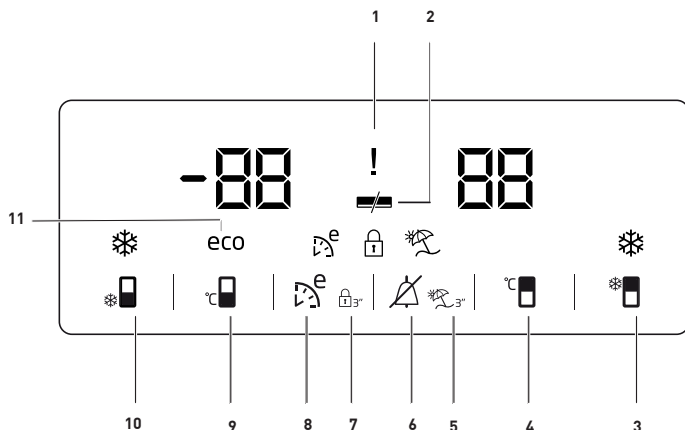
De voorste randen van het apparaat kunnen opwarmen. Dit is normaal. Deze zones zijn ontworpen om op te warmen en condensatie te vermijden.



In sommige modellen schakelt het indicatorpaneel automatisch uit 5 minuten nadat de deur sluit. Ze wordt opnieuw ingeschakeld wanneer de deur geopend wordt of een toets ingedrukt wordt.

5.1. Indicatorpaneel

Het indicatorpaneel laat u de temperatuur instellen en de andere functies van het product bedienen zonder de deur van het product te openen. Druk gewoonweg op het opschrift van de relevante knoppen voor de functie-instellingen.



1. Stroomuitval/Hoge temperatuur/Foutmelding indicator

Deze indicator (⚠) licht op in het geval van een stroomuitval, een hoge temperatuur defect en voor foutmeldingen.

Wanneer de temperatuur van het vriesvak opwarmt tot een kritisch niveau voor de ingevroren etenswaren knippert de maximale waarde van de temperatuur van het vriesvak op de digitale indicator.

Controleer de etenswaren in het vriesvak

Dit is geen storing. De waarschuwing kan worden verwijderd door een van de knoppen of de hoge temperatuur alarmknop in te drukken (Het annuleren van het alarm door een knop in te drukken is niet van toepassing op elk model.)

Deze indicator (⚠) licht ook op wanneer een sensorfout optreedt. Wanneer deze indicator oplicht, verschijnen "E" en cijfers zoals "1,2,3..." alternerend op de temperatuurindicator. Deze cijfers op de indicator lichten het servicepersoneel in over de fout.

2. Energiebesparingsfunctie (display uit):

Als de deuren van het product een lange periode gesloten zijn, wordt de functie energiebesparing automatisch geactiveerd en het symbool voor energiebesparing licht op. (🔌)

Wanneer de functie energiebesparing geactiveerd is, zullen alle symbolen op de display anders dan het symbool voor energiebesparing uit gaan. Wanneer de functie Energiebesparing geactiveerd is, zal de functie energiebesparing, als er op een knop gedrukt wordt of de deur geopend wordt, worden geannuleerd en de symbolen op de display zullen terugkeren naar normaal. De functie Energiebesparing wordt geactiveerd bij levering van fabriek en kan niet worden geannuleerd.

3. Functie Quick Fridge (snelkoelen)

De knop heeft twee functies. Druk deze knop kort in om de Quick Cool (snelkoel)-functie te activeren. De Quick Cool (snelkoel)-aanduiding gaat uit en keert terug naar de normale instellingen. (🔌)





Gebruik de snelkoelfunctie als u het voedsel dat u in het koelkastgedeelte heeft gelegd snel wilt koelen. Indien u grotere hoeveelheden vers voedsel wilt koelen, moet u deze functie activeren vóór het voedsel in het product te plaatsen.

Is mogelijk niet beschikbaar in alle modellen



***Optioneel:** De afbeeldingen in deze handleiding zijn bedoeld als schetsen en het is mogelijk dat ze niet perfect overeenstemmen met uw product. Als de betrokken vakken niet aanwezig zijn in uw product verwijst de informatie naar andere modellen.



Het gebruik van het product

	Als u de functie niet annuleert, schakelt Quick Fridge (snelkoelen) zichzelf automatisch uit na 1 uur of wanneer het koelvak de gewenste temperatuur bereikt.
	Wanneer u de knop Quick Fridge (snelkoelen) herhaaldelijk met korte onderbrekingen indrukt, wordt de zekering van de elektronische schakeling geactiveerd en start de compressor niet meteen op.
	Deze functie wordt niet opgeroepen wanneer de stroom herstelt na een stroomstoring.

4. Temperatuurregelaar koelgedeelte

Druk op deze knop om de temperatuur van het koelkastgedeelte in te stellen op respectievelijk 8, 7, 6, 5, 4, 3, 2, 1, 8... Druk deze knop in om de gewenste temperatuur voor het koelgedeelte in te stellen. 

5. Vakantiefunctie



Druk gedurende 3 seconden op deze knop  om de vakantiefunctie te activeren. De indicator voor de vakantiemodus  wordt geactiveerd. Als deze functie actief is, verschijnt “-” op de temperatuurindicator van het koelgedeelte en zal het koelgedeelte niet koelen. Het is niet geschikt om levensmiddelen in het koelgedeelte te houden wanneer deze functie wordt geactiveerd. Andere compartimenten blijven afgekoeld worden om vanaf hun vastgestelde temperatuur worden gekoeld. Druk om deze functie te annuleren opnieuw op de knop van de Vakantiefunctie.

6. Uitschakeling van de Hoge temperatuur waarschuwing:

In het geval van een stroomuitval/hoge temperatuur waarschuwing kunt u de waarschuwing  verwijderen door een knop in te drukken op de indicator of de hoge temperatuur alarm uit-knop in te drukken gedurende 1 seconde nadat u de etenswaren in het vriesvak hebt gecontroleerd.

Opmerking: Het annuleren van het alarm door een knop in te drukken is niet van toepassing op elk model.

7. Toetsvergrendeling

Druk de knop Toetsvergrendeling  3 seconden gelijktijdig in. Het symbool toetsvergrendeling  licht op en de Toetsvergrendelingsmodus wordt ingeschakeld. Knoppen zullen niet functioneren als de Toetsvergrendelingsmodus is ingeschakeld. Druk de knop Toetsvergrendeling nogmaals 3 seconden gelijktijdig in. Het symbool Toetsvergrendeling gaat uit en de Toetsvergrendelingsmodus wordt uitgeschakeld.

Druk op de knop **toetsvergrendeling** als u wilt voorkomen dat de temperatuurinstelling van de koelkast wordt gewijzigd ().

8. Eco fuzzy

Druk een seconde op de knop Eco fuzzy om de Eco fuzzy-functie in te schakelen. De koelkast begint minstens 6 uur later in de meest economische modus te werken en de aanduiding economisch gebruik licht op wanneer de functie actief is . Druk gedurende drie seconden op de functieknop Eco fuzzy om de Eco Extra-functie uit te schakelen.

Deze indicator gaat na 6 uur aan als Eco fuzzy is geactiveerd.

9. Temperatuurregelaar diepvriesvak

Druk op deze knop om de temperatuur van het diepvriesgedeelte in te stellen op respectievelijk -18, -19, -20, -21, -22, -23, -24, -18... Druk deze knop in om de gewenste temperatuur voor het diepvriesvak in te stellen. 

10. Functieknop Quick Freeze (snelvriezen) en aan/uit-knop Icematic

Druk deze knop in om de Quick Freeze (snelvries)-functie te activeren. Als u de functie activeert, wordt het vriesgedeelte gekoeld tot een temperatuur die lager ligt dan de ingestelde waarde.  Om de Icematic aan en uit te zetten drukt u deze gedurende 3 seconden in.



Gebruik de snelvriesfunctie als u het voedsel dat u in het koelkastgedeelte heeft gelegd snel wilt invriezen. Indien u grotere hoeveelheden vers voedsel wilt invriezen, moet u deze functie activeren vóór het voedsel in het product te plaatsen.

Het gebruik van het product



Indien u de functie Quick Freeze (snelvriezen) niet annuleert, zal de functie zichzelf na 24 uur annuleren, of wanneer het vriesgedeelte de vereiste temperatuur heeft bereikt.



Deze functie wordt niet opgeroepen wanneer de stroom herstelt na een stroomstoring.

11. Indicator zuinig gebruik

Geeft aan dat het product in een energie-efficiënte modus draait. (eco) Deze indicator wordt actief als het diepvriesgedeelte is ingesteld op -18 of als de energie-efficiënte koeling wordt uitgevoerd door de Eco-Extra-functie.



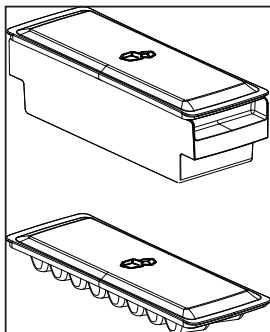
De Indicator voor Zuinig gebruik gaat uit als de functie Snelkoelen of Snelvriezen wordt geselecteerd.

Het gebruik van het product

5.2. IJsemmer

*optioneel

- Verwijder de ijsemmer uit het vriesvak.
 - Vul de ijsemmer met water.
 - Plaats de ijsemmer in het vriesvak.
- Het ijs is klaar na ongeveer twee uur.
Verwijder de ijsemmer uit het vriesvak en buig hem lichtjes over de houder die u zult opdienen. Ijs kan gemakkelijk in de service houder worden gegoten.



5.3. Eihouder

U kunt de eihouder in de deur of het rek in de koelkast plaatsen. Als u hem in het rek van de koelkast plaatst, is het aanbevolen de onderste laden te gebruiken aangezien deze koeler zijn.

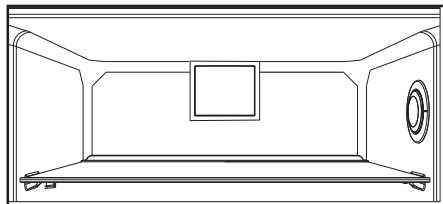


Plaats de eihouder niet in het vriesvak.

5.4. Ventilator

De ventilator is ontworpen om koude lucht te laten circuleren in uw koelkast. De werkdruk van de ventilator kan variëren naargelang de functies van uw product.

Hoewel in sommige producten de ventilator slechts werkt met de compressor, bepaalt het controlesysteem in andere producten de werkdruk op basis van de koelvereisten.



5.5. Groentevak

*optioneel

Het groentevak van de koelkast is ontworpen om groenten vers te houden door de vochtigheid te bewaren. Om die reden wordt de algemene koude luchtcirculatie verhoogd in het groentevak.

5.6. Nul-graden compartiment

*optioneel

Gebruik dit compartiment om delicatessen te bewaren bij lagere temperaturen of vleeswaren voor onmiddellijk gebruik.

Het nul-graden compartiment is de koelste plaats waar etenswaren zoals zuivelproducten, vlees, vis en kip kunnen worden bewaard in ideale bewaaromstandigheden. Groenten en/of fruit mogen niet worden bewaard in dit compartiment.

Het gebruik van het product

5.7. Het gebruik van de tweede crisper van het product;



Afbeelding 1.

Zoals weergegeven in de afbeelding zijn er 2 stoppers in de tweede crisper van het K70560 model.



Afbeelding 2.

De tweede crisper ziet er uit zoals in Afbeelding 2 wanneer deze gesloten is.



Afbeelding 3.

Met de deur open op 90° trekt u de tweede crisper tot de eerste stopper zoals weergegeven in Afbeelding 3.

Als de lade verder geopend is, moet u eerst de deur ten minste 135° openen. Daarna, zoals weergegeven in Afbeelding 4, tilt u de tweede crisper 5 mm omhoog zodat hij vrij komt van de eerste crisper.



Afbeelding 4.

Na het optillen trekt u de tweede lade omhoog tot de tweede stopper zoals weergegeven in Afbeelding 5.



Afbeelding 5.

Het gebruik van het product

5.8. Bewegend deurrek

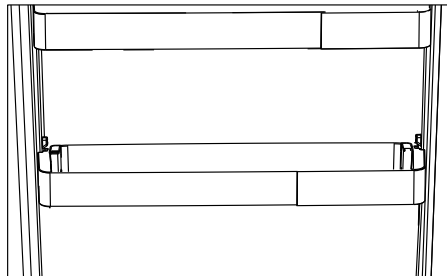
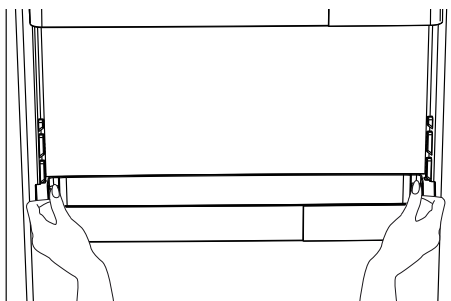
*optioneel

Het bewegende deurrek kan worden bevestigd in 3 posities.

Om het rek te verplaatsen, drukt u op de knoppen aan de zijkant. Het rek is verplaatsbaar.

Verplaats het rek omhoog of omlaag.

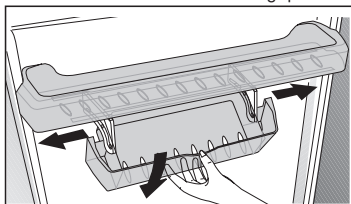
Nadat u het rek in de gewenste positie hebt geplaatst, laat u de knoppen los. Het rek wordt opnieuw bevestigd in de positie waar u de knoppen hebt losgelaten.



5.9. IJsvak

*optioneel

Dit accessoire werd ontworpen om het gebruiksvolume van het deurvak te vergroten. Dankzij het vermogen zijwaarts te schuiven, kunt u gemakkelijk een lange fles, container of doos plaatsen die u in het flessenrek had geplaatst.



5.10. Ontgeurdermodule

(FreshGuard) *optioneel

De ontgeurdermodule verwijdt de onaangename geurtjes in uw koelkast snel voor ze doordringen in de oppervlakken. Dankzij deze module, die is aangebracht op het plafond van het verse etenswaren compartiment, lossen de onaangename geurtjes snel op terwijl de lucht actief door het geurfilter wordt gestroomd. Daarna wordt de lucht die is gereinigd door het filter opnieuw in het verse etenswaren compartiment geblazen. Zo kunnen onaangename geurtjes die optreden tijdens het bewaren van de voedingsmiddelen in de koelkast worden verwijderd voor ze doordringen in de oppervlakken.

Dit is mogelijk dankzij de ventilator, LED en de geurfilter in de module. Tijdens het dagelijks gebruik wordt de ontgeurdermodule automatisch periodiek ingeschakeld. Voor een efficiënte prestatie is het aanbevolen het filter van de ontgeurdermodule elke 5 jaar te laten vervangen door de geautoriseerde leverancier. Omwille van het feit dat de ventilator is ingebouwd in de module is het lawaai dat u hoort tijdens de werking normaal. Als u de deur van het verse etenswaren compartiment opent terwijl de module actief is, zal de ventilator tijdelijk pauzeren en hervatten nadat de deur een tijdje is gesloten gebleven. In het geval van een stroomuitval zal de ontgeurdermodule hervatten voor de volledige tijdsduur zodra de stroom terugkeert.

Informatie: Het wordt aanbevolen aromatische voedingsmiddelen (zoals kaas, olijven en delicatessen voedingsmiddelen) in hun verpakking en afgedicht te bewaren om onaangename geurtjes te vermijden die het resultaat kunnen zijn wanneer de geuren van verschillende voedingsmiddelen worden vermengd. Het wordt bovendien aanbevolen bedorven voedingsmiddelen snel uit de koelkast te verwijderen om te voorkomen dat andere voedingsmiddelen bederven en om onaangename geurtjes te vermijden.

Het gebruik van het product

5.11. Groentevak met vochtigheidsregeling

*optioneel

Met de vochtigheidscontrolefunctie wordt de vochtigheidsgraad van groenten en fruit onder controle gehouden en dit garandeert langer verse etenswaren

Het is aanbevolen bladgroenten zoals sla en spinazie en gelijkaardige groenten die vocht kunnen verliezen niet op hun wortels te leggen maar zo veel mogelijk in een horizontale positie in het groentevak.

Wanneer u groenten in het vak plaatst, moet u de zware en harde groeten onderaan leggen en de lichte en zachte groenten bovenaan, rekening houdend met de specifieke gewichten van de groenten.

Laat geen groenten in het groentevak in een plastic zak. Als u ze in een plastic zak laat, kunnen ze snel bederven. In situaties waar contact met andere groenten niet wenselijk is, kunt u verpakkingsmateriaal gebruiken, zoals papier, met een zekere porositeit voor hygiënische redenen. Plaats geen fruit die veel ethyleengas produceren zoals peren, abrikozen, perziken en in het bijzonder appels in hetzelfde groentevak met andere groenten en fruit. Het ethyleengas dat ontsnapt uit dit fruit kan ertoe leiden dat groenten en fruit sneller rijpen en bederven.

5.12. Automatische ijsmachine

*optioneel

De automatische ijsmachine biedt u de mogelijkheid gemakkelijk ijs te maken in uw koelkast. Om ijs te maken in de ijsmachine verwijderd u het waterreservoir uit het koelvak. Vul het met water en voer het opnieuw in.

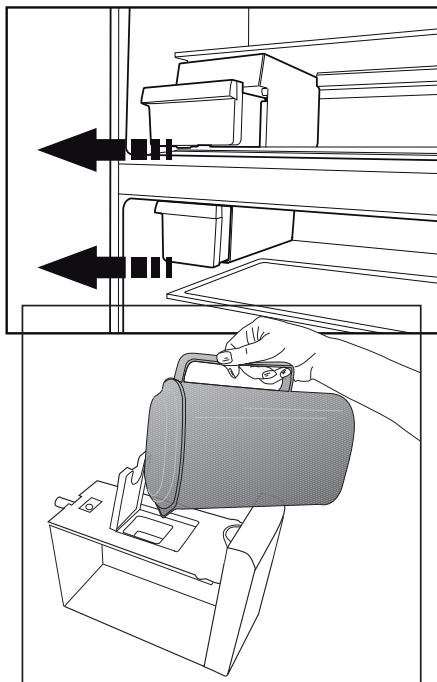
Het eerste ijs is klaar na ongeveer 2 uur in de ijsmachinelade van het koelvak.

Nadat u de volle waterreservoir hebt aangebracht, kunt u ongeveer 60-70 ijsblokjes maken tot het volledig vol is.

Als het water in het reservoir gedurende 2-3 weken blijft, moet u het vervangen.



In producten met automatisch ijsmachine is het mogelijk dat u lawaai hoort wanneer u het ijs uitgiet. Dit geluid is normaal en is geen teken van een defect.



Het gebruik van het product

5.13. Icematic en ijsvak container

***optioneel**

Gebruik de Icematic.

Vul de Icematic met water en plaats het in de zitting. Uw ijs is klaar na ongeveer twee uur. Verwijder de Icematic om ijsblokjes te nemen.

Draai aan de knoppen op de ijsreservoirs 90° in wijzerzin.

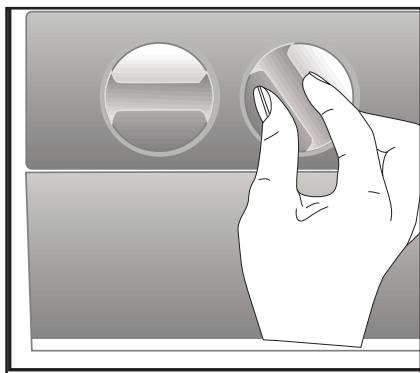
Ijsblokjes in de reservoirs vallen naar beneden in de ijsvak container.

Daarna kunt u het ijsvak verwijderen en het ijs gebruiken.

Als u wilt, kunt u de ijsblokjes in de ijsvak container bewaren.

Ijsvak container

De ijsvak container is enkel bedoeld om de ijsblokjes te verzamelen. Plaats er geen water in. Zo niet kan het breken.



5.14. Het gebruik van de waterdispenser

***optioneel**

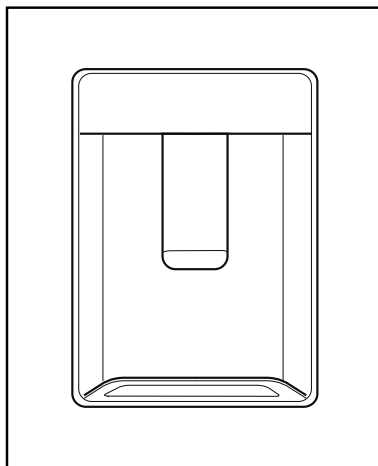


De eerste paar glazen water van de waterdispenser zijn gewoonlijk warm.



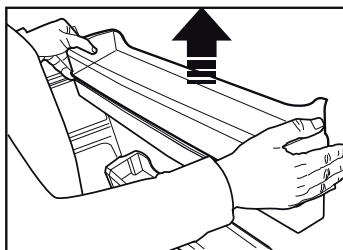
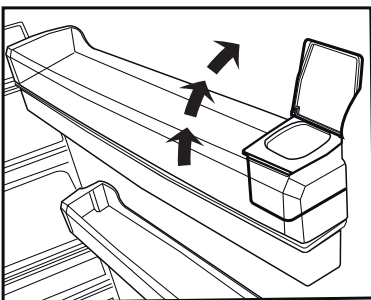
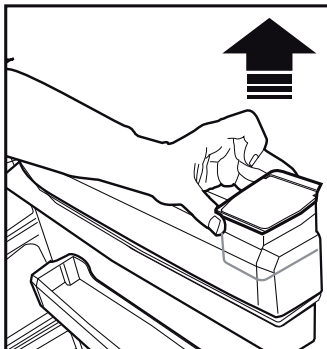
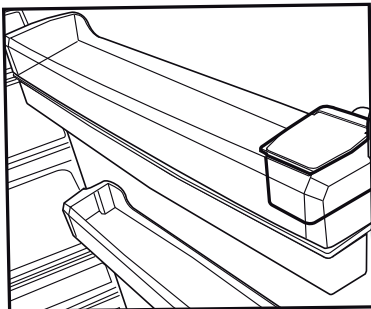
Als de waterdispenser gedurende een lange periode niet wordt gebruikt, moet u de eerste paar glazen water weggooien om zuiver water te verkrijgen.

1. Duw het hendel van de waterdispenser in met uw glas. Als u een zachte plastic kop gebruikt, is het gemakkelijk het hendel in te drukken met de hand.

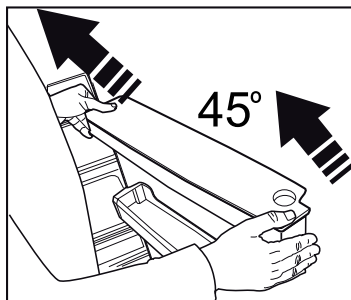


2. Nadat u de kop hebt opgevuld tot het gewenste niveau, laat u het hendel los.

Het gebruik van het product



Merk op dat de hoeveelheid water die uit de dispenser stroomt, afhangt van hoe ver u het hendel indrukt. Naarmate het waterniveau in uw kop / glas stijgt, moet u de druk op het hendel verminderen om overstromingen te voorkomen. Als u de arm licht indrukt, zal het water druppelen; dit is normaal en geen defect.

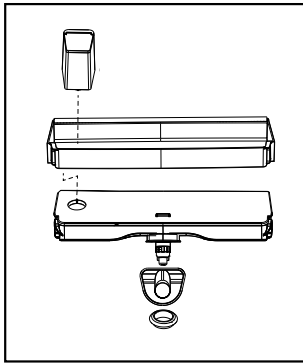
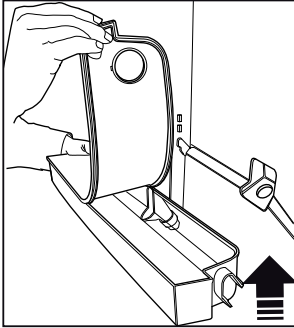


5.15. Het reservoir van de dispenser opvullen met water

Het waterreservoir bevindt zich in het deurrek.

1. Open het deksel van het reservoir.
2. Vul het reservoir met vers drinkwater.
3. Sluit het deksel.

Het gebruik van het product



5.16. Het waterreservoir schoonmaken

1. Verwijder het waterreservoir in de het deurrek.
2. Verwijder het deurrek door het vast te nemen met beide handen.
3. Neem het waterreservoir vast aan beide zijden en verwijder het in een hoek van 45°
4. Verwijder het deksel van het reservoir en reinig het.



Onderdelen van het reservoir en de waterdispenser mogen niet worden gewassen in de vaatwasser.

5.17. Druppelvanger

Druppelend water tijdens het gebruik van de waterdispenser accumuleert in het druppelbakje. Verwijder het plastic filter zoals weergegeven in de afbeelding.

Verwijder het geaccumuleerde water met een schone en droge doek.



Vul het waterreservoir niet op met andere vloeistoffen dan water zoals fruitsap, koolzuurhoudende dranken of alcoholische dranken die niet geschikt zijn voor gebruik in de waterdispenser. De waterdispenser zal onherroepelijk worden beschadigd als deze soorten vloeistoffen worden gebruikt. De garantie dekt dergelijke schade niet. Sommige chemische stoffen en additieven in dit soort dranken/vloeistoffen kunnen het waterreservoir beschadigen.



Gebruik enkel zuiver drinkwater.



De capaciteit van het waterreservoir is 3 liter; vul niet veel water bij.

Het gebruik van het product

5.18. HerbBox/HerbFresh

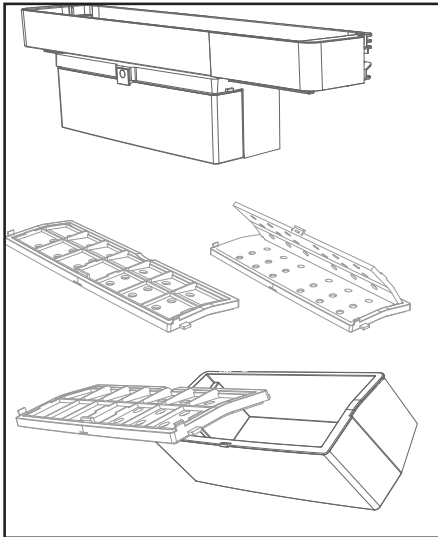
Verwijder de folie van de HerbBox/HerbFresh+

Verwijder de folie uit de tas en plaats hem op de container zoals weergegeven in de afbeelding.

Sluit de container opnieuw en vervang hem in het HerbBox/HerbFresh+ apparaat.

De HerbBox-HerbFresh+ secties zijn ideaal voor de opslag van uiteenlopende kruiden die in delicate omstandigheden moeten worden bewaard. U kunt uw kruiden (peterselie, dille, etc.) horizontaal opslaan in deze sectie zonder ze in zakjes te plaatsen en u kunt ze veel langer bewaren.

De folie moet elke zes maanden worden vervangen.



Het gebruik van het product

5.19. Verse etenswaren invriezen

- Om de kwaliteit van de etenswaren te bewaren, moeten de etenswaren die in het vriesvak worden geplaatst zo snel mogelijk worden ingevroren. Gebruik hiervoor de snel vriezen functie.
- Etenswaren invriezen wanneer ze vers zijn, verlengt de opslagduur in het vriesvak.
- Verpak de etenswaren in luchtdichte verpakkingen en sluit stevig af.
- Zorg ervoor dat de etenswaren verpakt zijn voor u ze in de diepvriezer plaatst. Gebruik diepvriezer containers, tinfoelie en vochtbestendig papier, plastic zakken of gelijkaardige verpakkingsmaterialen in de plaats van het traditionele verpakkingspapier.



IJs in het vriesvak dooit automatisch.

- Markeer iedere verpakking met de datum voor u het invriest. Zo kunt u de versheid van iedere verpakking bepalen wanneer u de diepvriezer opent. Bewaar de oudere etenswaren vooraan zodat u ze eerst gebruikt.

- Ingevroren etenswaren moet onmiddellijk na het ontdooien worden gebruikt en mogen niet opnieuw worden ingevroren.
- Verwijder geen grote hoeveelheden in een keer uit de diepvriezer.

5.20. Aanbevelingen voor het opslaan van ingevroren etenswaren

Het compartiment moet op minimum -18°C worden ingesteld.

1. Plaats de etenswaren zo snel mogelijk in de diepvriezer om ontdooien te vermijden.
2. Voor u invriest, moet u de "Ten minste houdbaar tot" datum op de verpakking om zeker te zijn dat ze niet verstreken zijn.
3. Zorg ervoor dat de verpakking van de etenswaren niet beschadigd is.

Vriesvak temperatuurinstelling	Koelvak temperatuurinstelling	Details
-18°C	4°C	Dit is de standaard, aanbevolen instelling.
-20,-22 of -24°C	4°C	Deze instellingen worden aanbevolen bij omgevingstemperaturen van hoger dan 30°C.
Snel invriezen	4°C	Gebruik deze functie wanneer u etenswaren op korte tijd wilt invriezen. Wanneer het proces eindigt, keert het product terug naar de vorige stand.
-18°C of kouder	2°C	Gebruik deze instellingen als u vindt dat het koelvak niet koud genoeg is omwille van de omgevingstemperatuur of het regelmatig openen van de deur.

Het gebruik van het product

5.21. Informatie over de diepvriezer

Conform de IEC 62552 normen moet de diepvriezer 4,5 kg etenswaren kunnen invriezen bij -18°C of lagere temperaturen in 24 uur voor iedere 100 liter vriesvak volume.

Etenswaren kunnen enkel gedurende langere perioden worden bewaard bij een temperatuur van -18°C of lager.

U kunt etenswaren maanden lang vers houden (in de diepvriezer bij een temperatuur van 18°C of lager). De in te vriezen etenswaren mogen niet in contact komen met reeds ingevroren etenswaren om gedeeltelijk ontdooien te vermijden.

Kook de groenten en filter het water om de ingevroren bewaartijd te verlengen. Plaats de etenswaren in luchtdichte verpakkingen na het filteren en plaats ze in het vriesvak. Bananen, tomaten, sla, selderie, gekookte eieren, aardappelen en gelijkaardige etenswaren mogen nooit worden ingevroren. Als de etenswaren bederven, worden enkel de voedingswaarden en de kwaliteit negatief beïnvloed. Bederving die de gezondheid in gevaar brengt is niet aan de orde.

5.22. De etenswaren plaatsen

Diepvriezer deurvakken	Uiteenlopende ingevroren etenswaren zoals vlees, vis, ijscrème, groenten, etc.
Koelvak deurvakken	Etenswaren in potten, afgedekte platen en containers, eieren (in een afgedekte container)
Koelvak deurvakken	Kleine en verpakte etenswaren of dranken
Groentevak	Fruit en groenten
Verse etenswaren compartiment	Delicatessen (ontbijt etenswaren, vleesproducten die op korte termijn worden verbruikt)

5.23. Deur open alarm

(Optioneel)

Een hoorbaar alarm weerklinkt als de deur van het product langer dan 1 minuut open blijft. Het hoorbare alarm stopt wanneer de deur wordt gesloten of wanneer een knop op het scherm (indien beschikbaar) wordt ingedrukt.

Het deur open alarm wordt aangegeven aan de gebruiker met een hoorbaar en zichtbaar signaal. De interne verlichting schakelt uit als de waarschuwing 10 minuten aanhoudt.

5.24. De openingsrichting van de deur wijzigen.

U kunt de openingsrichting van de deur van uw koelkast omkeren naargelang de locatie waar u ze wilt gebruiken. Raadpleeg hiervoor uw dichtstbijzijnde Geautoriseerde service.

De bovenstaande verklaring is een algemene verklaring. U moet de waarschuwing op de binnenzijde van de verpakking van het pakket controleren met betrekking tot de omkering van de deur.

5.25. Interne verlichting

De interne verlichting gebruikt een LED-type lamp. Neem contact op met de geautoriseerde dienst als er problemen zijn met deze lamp. De lamp(en) in dit apparaat mogen niet worden gebruikt voor de verlichting van uw huis. Het beoogde gebruik van deze lamp is de gebruiker te helpen etenswaren veilig en comfortabel in de koelkast/diepvriezer te plaatsen.

Het gebruik van het product

5.26. Blauw licht/HarvestFresh

***Is mogelijk niet beschikbaar op alle modellen**

Voor het blauwe licht,

Bij fruit en groenten die zijn opgeslagen in de crisper-laden en die worden verlicht met een blauw licht blijft de fotosynthese doorlopen omwille van het golflengte-effect van het blauwe licht en zo behouden zij hun vitamine-inhoud.

Voor HarvestFresh,

Groenten en fruit die zijn opgeslagen in de crisper-laden en die worden verlicht met de HarvestFresh technologie behouden hun vitamines gedurende een langere periode dankzij de blauwe, groene, rode lichten en donkere cycli die een dagcyclus simuleren.

Als u de deur van de koelkast opent tijdens de donkere periode van de HarvestFresh technologie zal de koelkast dit automatisch detecteren en de blauw-groene of rode licht inschakelen om de crisper-lade naar wens te verlichten. Nadat u de deur van de koelkast hebt gesloten, loopt de donkere periode door en dit staat voor de nacht tijdens een dagcyclus

5.27. De lade voor zuivelproducten (koude opberging)

Biedt een lagere temperatuur in het koelvak. Gebruik deze lade om delicatessen te bewaren (salami, worst, zuivelproducten, etc.) die een lagere bewaar temperatuur of vlees, kip of visproducten voor onmiddellijk verbruik. Bewaar geen fruit en groenten in deze lade.

De levensduur van het product wordt verlengd en vaak voorkomende problemen zullen verminderen als het product regelmatig wordt gereinigd.

	WAARSCHUWING: Schakel het product uit voor de reiniging.
	WAARSCHUWING: Het is aanbevolen de condensator elke zes maanden te reinigen met handschoenen. U mag geen stofzuiger gebruiken.

- Gebruik geen benzine, benzene of gelijkaardige stoffen om te reinigen.
- Gebruik nooit scherpe instrumenten, zeep, huishoudelijke reinigingsmiddelen, oplosmiddel of was voor het reinigen.
- Los een theelepeltje koolzuurzout op in een halve liter water. Dompel een doek in de oplossing en wring de doek goed uit. Wrijf de binnenzijde van de koelkast af met deze doek en droog grondig.
- Zorg ervoor dat er geen water in de behuizing van de lamp of andere elektrische onderdelen doordringt.
- Als u de koelkast niet zult gebruiken gedurende een lange periode moet u de stekker verwijderen, alle voedingsmiddelen verwijderen, de koelkast reinigen en de deur op een kier laten.
- Controleer regelmatig of de pakkingen schoon zijn. Zo niet moet u ze reinigen.
- Verwijder alle items uit het product om de deur en de laden te verwijderen.
- Verwijder de laden uit de deur door ze omhoog te trekken. Schuif de laden omlaag en breng ze opnieuw aan na de reiniging.
- Gebruik geen chloorhoudende middelen of water om de externe oppervlakken of verchromde onderdelen te reinigen van het product. Chloor veroorzaakt een schurende werking op dergelijke metalen oppervlakken.
- Met betrekking tot geen-No Frost producten druppelt water en vorst op de achterwand van het koelvak. Reinig dit niet; breng olie of een gelijkaardig middel aan.

- Gebruik enkel licht vochtige microvezel doeken om de buitenzijde van het product te reinigen. Sponzen en andere soorten reinigingsdoeken kunnen het oppervlak krassen.

6.1. Onaangename geurtjes vermijden

Er wordt geen materiaal dat geurtjes kan veroorzaken gebruikt in de productie van onze koelkasten. Hoewel, deze geurtjes kunnen worden afgegeven van voedingsmiddelen die op incorrecte wijze worden bewaard of als het interne oppervlak van het product niet is gereinigd zoals vereist. Neem het volgende in overweging om dit probleem te voorkomen:

- Het is belangrijk dat de koelkast schoon wordt gehouden. Voedselresten, vlekken, etc. kunnen geurtjes veroorzaken. Om die reden moet u uw koelkast elke 15 dagen reinigen met carbonaat in water. Gebruik nooit oplosmiddelen of zeep.
- Bewaar uw etenswaren in gesloten containers. Micro-organismen van de containers zonder een deksel kunnen onaangename geurtjes veroorzaken.
- Bewaar nooit vervallen of bedorven etenswaren in uw koelkast.

6.2. Bescherming van plastic oppervlakken.

Plaats geen vloeibare oliën of olie-bereide maaltijden in uw koelkast in containers zonder deksel want deze beschadigen de plastic oppervlakken van uw koelkast. Als er olie wordt gemorst of gesmeerd op de plastic oppervlakken moet u het relevante onderdeel van het oppervlak onmiddellijk reinigen en spoelen met warm water.

6.3. De binnenzijde reinigen

Was de interne oppervlakken en alle verwijderbare onderdelen met een zachte oplossing van zeep, water en carbonaat. Grondig spoelen en drogen. Zorg ervoor dat er geen water in contact komt met de verlichting en het bedieningspaneel.



OPGELET:

Gebruik geen azijn, ontsmettingsalcohol of andere alcohol-gebaseerde middelen op de interne oppervlakken.

6.4. Roestvrij stalen externe oppervlakten

Gebruik een roestvrij stalen reinigingsmiddel die niet schuurt en breng het aan met een pluisvrije, zachte doek. Om het oppervlak te polijsten, wrijft u zacht met een vochtige microvezel doek en gebruikt u een droog leren zeem. Volg altijd de richting van het roestvrij staal.

6.5. Reinigingsproducten glazen deuren

Verwijder de beschermende folie van het glas.

Er is een coating aangebracht op het glas. Deze coating vermindert het vormen van vlekken en zorgt ervoor dat vlekken en vuil gemakkelijk kunnen worden gereinigd. Glas dat niet wordt beschermd met een coating kan worden blootgesteld aan permanente verbindingen van organische of anorganische, lucht- of watergedragen verontreinigingen zoals kalk, minerale zouten, niet verbrande koolwaterstoffen, metaaloxiden en silocone die leiden tot vlekken en fysieke schade op korte tijd. Ondanks regelmatige reinigingen is het mogelijk het glas te reinigen, hoewel niet onmogelijk. Als resultaat vermindert de helderheid en het mooie uiterlijk van het glas. Harde en schurende samenstellingen en methoden verhogen deze defecten nog meer en versnellen de aantasting.

*Niet-alkalische, niet-schurende en watergebaseerde reinigingsproducten moeten worden gebruikt voor de uitvoering van reinigingsprocedures.

Om de levensduur van de coating te verlengen, mogen geen alkalische of schurende stoffen worden gebruikt tijdens de reiniging.

Deze glazen oppervlakken zijn onderhevig aan een hardingsproces om hun weerstand tegen impact en glasbreuk te verbeteren.

Als bijkomende veiligheidsmaatregel is er een veiligheidsfolie aangebracht op de achterzijde van het glas om zeker te zijn dat de omgeving niet wordt beschadigd als het breekt

Controleer deze lijst voor u de dienst belt. Dit kan u zowel tijd als geld besparen. Deze lijst bevat vaak voorkomende problemen die niet het resultaat zijn van defect vakmanschap of gebruik van materiaal. Het is mogelijk dat uw apparaat bepaalde functies niet bevat die hier beschreven worden.

De koelkast werkt niet.

- De stekker is mogelijk niet correct ingevoerd. >>>Voer de stekker correct in.
- De zekering van het stopcontact waarop uw koelkast is aangesloten of de hoofdzekering is mogelijk gesprongen. >>>Controleer de zekering.

Condensatie op de zijwand van het koelvak (MULTI ZONE, COOL CONTROL en FLEXI ZONE).

- De deur is mogelijk regelmatig geopend/gesloten. >>>Open de deur van de koelkast niet te vaak.
- De omgeving is mogelijk te vochtig. >>>Installeer de koelkast niet in een ruimte met een hoge vochtigheidsgraad.
- Er zijn mogelijk voedingsmiddelen met vloeistof in de koelkast geplaatst in containers zonder deksel. >>>Plaats geen voedingsmiddelen met vloeistof in de koelkast in containers zonder deksel.
- De deur van de koelkast is mogelijk op een kier gelaten. >>>Laat de deuren van uw koelkast niet langdurig open staan.
- De thermostaat is mogelijk ingesteld op een heel koud niveau. >>>Stel de thermostaat in op een gepast niveau.

De compressor werkt niet.

- De thermische bescherming van de compressor kan springen tijdens plotse stroomuitvalven of er kan een plug-out plug-in optreden als de druk van het koelmiddel in het koelsysteem niet in evenwicht is. De koelkast begint te werken na ca. 6 minuten. Neem contact op met de Geautoriseerde leverancier als de koelkast niet start aan het einde van deze periode.
- De diepvriezer in in de ontdooicyclus geschakeld. >>>Dit is normaal voor een koelkast die een volautomatische ontdoing uitvoert. De ontdooicyclus wordt periodiek uitgevoerd.
- De stekker van de koelkast is mogelijk niet in het stopcontact gevoerd. >>>Zorg ervoor dat de stekker correct in het stopcontact zit.
- De temperatuurinstellingen zijn mogelijk incorrect. >>>Selecteer de correcte temperatuurwaarde.
- Mogelijke stroomuitval. >>>De koelkast begint normaal te werken wanneer de stroom hervat.

Het lawaai tijdens de werking is luider wanneer de koelkast werkt.

- De prestaties van de koelkast kunnen variëren naargelang de omgevingstemperatuur wijzigt. Dit is normaal en is geen defect.

De koelkast schakelt regelmatig of langdurig in.

- Uw nieuwe product is mogelijk groter dan uw vorige. Grotere koelkasten werken langer.
- De temperatuur in de ruimte kan hoog zijn. >>> Het is normaal dat het product langer werkt in warme omgevingen.
- De stekker van de koelkast is mogelijk net ingevoerd of de koelkast is mogelijk net geladen met voedingsmiddelen. >>>Het duurt langer voor het product om de ingestelde temperatuur te bereiken als de stekker net is ingevoerd of het net is geladen met voedingsmiddelen. Dit is normaal.
- Er zijn onlangs mogelijk grote hoeveelheden warme voedingsmiddelen in koelkast geplaatst. >>>Plaats geen warme etenswaren in de koelkast.
- De deuren worden mogelijk vaak geopend of langdurig op een kier gelaten. >>>De warme lucht die in de koelkast stroomt, doet de koelkast langer werken. Open de deur van de koelkast niet te vaak.
- De deur van het vries- of koelvak is mogelijk op een kier gelaten. >>> Controleer of de deuren volledig zijn gesloten.
- Het apparaat is mogelijk ingesteld op een heel lage temperatuur. >>> Stel een hogere temperatuur in in de koelkast en wacht tot het product deze temperatuur bereikt.
- De deurafdichting van het koel- of vriesvak is mogelijk vuil, versleten, stuk of niet correct aangebracht. >>> Reinig of vervang de afdichting. Beschadigde/defecte afdichtingen resulteren in een langere werking van de koelkast om de huidige temperatuur te handhaven.

De temperatuur van de koelkast volstaat maar de temperatuur van de diepvriezer is heel laag.

- De temperatuur van het vriesvak is mogelijk ingesteld op een heel lage temperatuur. >>> Stel de temperatuur van het vriesvak hoger in en controleer.

De temperatuur van de diepvriezer volstaat maar de temperatuur van de koelkast is heel laag.

- De temperatuur van de koelkast is ingesteld op een lage waarde. >>> Stel de temperatuur van de koelkast hoger in en controleer.

Probleemoplossing

Voedingsmiddelen in de laden van het koelvak zijn bevroren.

- De temperatuur van het koelvak is mogelijk ingesteld op een heel hoge temperatuur. >>> Stel de temperatuur van het koelvak lager in en controleer.

De temperatuur in de koelkast of diepvriezer is heel hoog.

- De temperatuur van het koelvak is mogelijk ingesteld op een heel hoge temperatuur. >>> De temperatuurstelling van het koelvak heeft een effect op de temperatuur van de diepvriezer. Wijzig de temperatuur van het koel- of vriesvak tot de temperatuur van het koel- of vriesvak een toereikend niveau bereikt.
- De deuren worden mogelijk vaak geopend of langdurig op een kier gelaten. >>>Open de deur van de koelkast niet te vaak.
- De deur is mogelijk op een kier gelaten. >>>Sluit de deur volledig.
- De stekker van de koelkast is mogelijk net ingevoerd of de koelkast is mogelijk net geladen met voedingsmiddelen. >>>Dit is normaal.. Het duurt langer voor het product om de ingestelde temperatuur te bereiken als de stekker net is ingevoerd of het net is geladen met voedingsmiddelen.
- Er zijn onlangs mogelijk grote hoeveelheden warme voedingsmiddelen in koelkast geplaatst. >>>Plaats geen warme etenswaren in de koelkast.

Trillingen of lawaai.

- De vloer is mogelijk niet waterpas of stevig. >>>Als de koelkast schudt wanneer ze een beetje wordt verplaatst. Pas de toevoer aan om ze te balanceren. Zorg ervoor dat de vloer waterpas is en dat hij de koelkast kan dragen.
- Voorwerpen die op de koelkast worden geplaatst, kunnen lawaai maken. >>>Verwijder de voorwerpen op de koelkast.

Het geluid van spattend of verstuivende vloeistof komt uit de koelkast.

- De stroom van vloeistof en gas verloopt in overeenstemming met de operationele principes van de koelkast. >>>Dit is normaal en is geen defect.

Er is een fluitend lawaai van de koelkast.

- Er zijn ventilatoren die worden gebruikt om de koelkast te koelen. Dit is normaal en is geen defect.

Vocht accumuleert op de interne wanden van de koelkast.

- Warm en vochtig weer verhoogt ijsvorming en condensatie. Dit is normaal en is geen defect.
- De deuren worden mogelijk vaak geopend of langdurig op een kier gelaten. >>>Open de deur van de koelkast niet te vaak. Sluit de deur als deze open staat.
- De deur is mogelijk op een kier gelaten. >>>Sluit de deur volledig.

Er is vocht aanwezig op de buitenzijde van de koelkast of tussen de deuren.

- De lucht is mogelijk vochtig. Dit is normaal bij vochtig weer. >>>Condensatie verschijnt wanneer de vochtigheidsgraad stijgt.
- Er is mogelijke externe condensatie op de sectie tussen beide deuren van de koelkast als u uw product zelden gebruikt. Dit is normaal. De condensatie verdwijnt na regelmatig gebruik.

Er is een onaangename geur in de koelkast.

- De koelkast wordt niet regelmatig gereinigd. Reinig de binnenzijde van de koelkast met een spons, lauwwater of koolzuurhoudend water.
- Sommige containers of verpakkingsmaterialen kunnen deze geur veroorzaken. >>>Gebruik een andere container of verpakkingsmateriaal van een ander merk.
- Voedingsmiddelen die in de koelkast zijn geplaatst in containers zonder deksel. >>>Bewaar de etenswaren in gesloten containers. Micro-organismen van de containers zonder een deksel kunnen onaangename geurtjes veroorzaken.
- Verwijder de vervallen of bedorven voedingsmiddelen uit de koelkast.

De deur kan niet worden gesloten.

- Voedselverpakking kan het sluiten van de deur beletten. >>> Verplaats de verpakkingen die de deur blokkeren.
- De koelkast staat mogelijk niet stabiel op de vloer. >>>Pas de voeten van de koelkast aan tot de koelkast in balans staat.
- De vloer is mogelijk niet waterpas of stevig. >>>Zorg ervoor dat de vloer waterpas is en dat hij de koelkast kan dragen.

De crispers zitten vast.

- Het is mogelijk dat voedingsmiddelen de bovenzijde van de crisper aanraken. >>>Herschik de voedingsmiddelen in de crisper.

Probleemoplossing

Als het oppervlak van het product warm is.

Hoge temperaturen kunnen worden vastgesteld tussen beide deuren, op de zijpanelen en op het rooster achteraan terwijl het product is ingeschakeld. Dit is normaal en vereist geen interventie van het onderhoudspersoneel!

De ventilator blijft draaien wanneer de deur is geopend.

De ventilator blijft mogelijk draaien terwijl de deur van de diepvriezer is geopend.



WAARSCHUWING: Als het probleem niet kunt oplossen hoewel u de instructies hebt gevolgd in dit hoofdstuk, kunt u uw verdeler of de geautoriseerde leverancier raadplegen. Probeer nooit zelf een defect product te repareren.

DISCLAIMER / WAARSCHUWING

Sommige (eenvoudige) defecten kunnen correct worden behandeld door de eindgebruiker zonder dat dit aanleiding geeft tot veiligheidsproblemen of een onveilig gebruik, op voorwaarde dat ze worden uitgevoerd binnen de limieten en in overeenstemming met de volgende instructies (zie het hoofdstuk "Zelf-reparatie").

Om die reden, tenzij anderzijds toegelaten in het onderstaande hoofdstuk "Zelf-reparatie", moeten reparaties worden uitgevoerd door geregistreerde professionele monteurs om veiligheidsproblemen te voorkomen. Een geregistreerde professionele monteur is een professionele monteur die toegang heeft gekregen tot de instructies en de lijst met reserveonderdelen van dit product door de fabrikant, in overeenstemming met de methoden beschreven in wetsbesluiten in overeenstemming met Richtlijn 2009/125/EC.

Hoewel, de onderhouds- en reparatiewerken in het kader van de garantievoorwaarden mogen uitsluitend worden uitgevoerd door de gespecialiseerd vertegenwoordiger (m.a.w. geautoriseerde professionele monteurs) die u kunt bereiken via het telefoonnummer vermeld in de gebruikshandleiding/garantiekaart of via uw geautoriseerde verdeler. Om die reden zullen reparaties die worden uitgevoerd door professionele monteurs (die niet zijn geautoriseerd door Beko) de garantie nietig verklaren.

Zelf-reparatie

De eindgebruiker kan de volgende reserveonderdelen zelf repareren: deur handgrepen, deur scharnieren, laden, manden en deuropakkingen (een bijgewerkte lijst is ook beschikbaar op support.beko.com op 1 maart 2021).

Bovendien, om de veiligheid van het product te garanderen en het risico van ernstig letsel te voorkomen, moet de vermelde zelf-reparatie worden uitgevoerd in overeenstemming met de instructies in de handleiding voor zelf-reparatie of die beschikbaar is in support.beko.com. Uit veiligheidsoverwegingen moet u de stekker van Koelkast / Handleiding

het product loskoppelen voor u een zelf-reparatie probeert uit te voeren.

Reparaties en pogingen tot reparatie door eindgebruikers van onderdelen die niet zijn omvat in deze lijst en/of waarbij de instructies in de handleiding voor zelf-reparatie of die beschikbaar zijn in support.beko.com niet worden nageleefd, kunnen resulteren in veiligheidsproblemen die niet kunnen worden toegewezen aan Beko Beko en deze zullen de garantie van het product nietig verklaren.

Om die reden raden wij ten stelligste af dat eindgebruikers op eigen houtje reparaties proberen uit te voeren die buiten de vermelde lijst van reserveonderdelen vallen en in dergelijke situaties beroep doen op een geautoriseerde professionele monteur of geregistreerde professionele monteurs. Dergelijke pogingen van eindgebruikers kunnen daarentegen veiligheidsproblemen en schade aan het product veroorzaken en resulteren in brand, overstromingen, elektrische schokken en ernstig persoonlijk letsel.

Als voorbeeld, maar niet beperkt tot, de volgende reparaties moeten worden uitgevoerd door geautoriseerde professionele servicemonteurs of geregistreerde professionele monteurs: compressor, koelcircuit, moederbord, omzetter bord, weergavebord, etc.

De fabrikant/verkoper kan niet aansprakelijk worden gesteld wanneer eindgebruikers de bovenstaande instructies niet naleven.

De beschikbaarheid van de reserveonderdelen van de koelkast die u hebt gekocht is 10 jaar. Tijdens deze periode zijn de originele reserveonderdelen beschikbaar voor de correcte werking van uw koelkast.

De minimale duur van de garantie van de koelkast die u hebt gekocht, is 24 maanden.



Хладилник

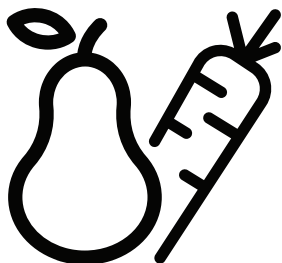
Ръководство за употреба

Frigider

Manual de instrucțiuni

Холодильник

Посібник користувача



RCNE560E40ZXBN - RCNE560E40DZXBN



BG / RO / UK

58 5366 0000/AC

3/8

Моля, прочетете това ръководство, преди да използвате продукта!

Уважаеми клиенти,

Бихме желали да извлечете най-доброто при употребата на този продукт, който е произведен в модерни предприятия с грижа и щателен контрол на качеството.

Поради тази причина Ви препоръчваме да прочетете цялото ръководство, преди да използвате този продукт. В случай, че продуктът премине в други ръце, не забравяйте да предадете ръководството на своя нов собственик заедно с продукта.






Това ръководство ще Ви помогне да използвате бързо и безопасно продукта.

- Моля, преди да инсталирате и работите с продукта, прочетете внимателно ръководството за потребителя.
- Винаги спазвайте съответните инструкции за безопасност.
- Съхранявайте ръководството за потребителя на леснодостъпно място за бъдещи справки.
- Моля, прочетете всички други документи, придружаващи продукта.

Имайте предвид, че това ръководство може да се прилага за няколко модела на продукта.

Ръководството ясно показва всякакви изменения на различните модели.

	Важна информация и полезни съвети.
	Риск за живота и имуществото.
	Опасност от токов удар.
	Опаковката на продукта е произведена от рециклирани материали, в съответствие с националното законодателство за опазване на околната среда.

	ИНФОРМАЦИЯ	
	ENERGY	
<small>SUPPLIER'S NAME</small>	<small>MODEL IDENTIFIER</small> (*)	
		
		Информацията за модела, съхранявана в базата данни на продукта, може да бъде получена, като въведете следния уебсайт и потърсите идентификатора на вашия модел (*), намиращ се на енергийния етикет.
		https://eprel.ec.europa.eu/



Съдържание



1 Инструкции за безопасност и опазване на околната среда	3	5.11. Употреба на водния диспенсър	18
1.1. Общи правила за безопасност	3	5.12. Пълнене на резервоара на диспенсъра за вода	19
1.1.1 НС предупреждение	5	5.13. Почистване на резервоара за вода	20
1.1.2 За модели с воден фонтан	5	5.14. Тавичка за оттичане	20
1.2. Употреба по предназначение	5	5.15. Използване на втория контейнер за свежи храни	21
1.3. Безопасност за децата	6	5.16. Замразяване на прясна храна	22
1.4. Съответствие с Директива ОЕЕО за изхвърляне на отпадъчни продукти	6	5.17. Препоръки за съхранение на замразена храна	22
1.5. Съответствие с Директива RoHS	6	5.18. Подробности за дълбокото замразяване	22
1.6. Информация за опаковката	6	5.19. Поставяне на храната	23
2 Хладилник	7	5.20. Аларма за отворена врата	23
3 Монтаж	8	5.21. Вътрешно осветление	23
3.1. Правилно място за монтаж	8	5.22. Смяна посоката на отваряне на вратата	23
3.2. Поставяне на пластмасови клинове	8	5.23. Синя светлина / HarvestFresh	23
3.3. Нивелиращи крачета	9	5.24. Кошчето за млечни продукти (хладилно хранилище)	23
3.4. Свързване към захранването	9	6 Поддръжка и почистване	24
4 Подготовка	10	6.1. Предотвратяване на образуване на лоши миризми	24
4.1. Как да спестим енергия	10	6.2. Защита на пластмасовите повърхности	24
4.2. Използване за първи път	10	6.3. Стъкла на вратите	24
5 Използване на продукта	12	7. Отстраняване на неизправности	25
5.8 Индикаторен панел	12		
5.1. Кофичка за лед	14		
5.2. Поставка за яйца	15		
5.3. Вентилатор	15		
5.4. Кош за зеленчуци	15		
5.5. Отделение с нулева температура	15		
5.6. Подвижни рафтове на вратата	16		
5.7. Плъзгащ се контейнер за съхранение	16		
5.8. Кош за зеленчуци с контролиране на влажността	17		
5.9. Автоматична машина за лед	17		
5.10. Icematic и контейнер за съхранение на лед	18		

1. Инструкции за безопасност и опазване на околната среда

Този раздел съдържа инструкции за безопасност, необходими за избягване на риска от нараняване и материални щети. Неспазването на тези инструкции ще обезсили всички видове продуктова гаранция.

Употреба на уреда

	ВНИМАНИЕ: Уверете се решетките на вентилационните отвори да са отворени при положение на устройството в амбалажния пакет или след поставяне на работното му място.
	ВНИМАНИЕ: С изключение на препоръките, допустими от производителя, не използвайте механични или всякакви други устройства с цел ускоряване процеса на размразяване на устройството.
	ВНИМАНИЕ: Не повреждайте действието на охладителната система на фреона.

	ВНИМАНИЕ: Не използвайте електрическо оборудване в отделението за съхранение на хранителни продукти, недопустимо от производителя на устройството.
	ВНИМАНИЕ: Не съхранявайте експлозивни вещества като например аерозолни спрейове в уреда.

-Това устройство е предназначено за домашна употреба или за използване при следните условия

-В магазини, офиси и други работни среди с цел използване от членовете на персонала в кухнята на работната среда.

- Във фермерни къщи, хотели, мотели и други среди, предназначени за настаняване на гражданите за почивка;

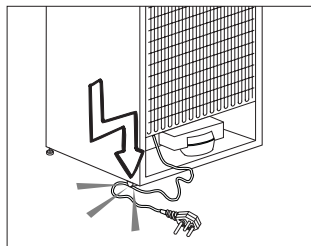
1.1. Общи правила за безопасност

- Този продукт не трябва да се използва от лица с физически, сензорни и ментални увреждания, без достатъчно знания и опит или от деца. Уредът може да се използва от тези лица само под надзора и спазвайки инструкциите на лицата, отговорни за тяхната безопасност. Децата не трябва да си играят с този уред.
- В случай на неизправност, изключете уреда от контакта.
- След изваждане на щепсела от контакта, изчакайте 5 минути, преди отново да включите щепсела от контакта. Изключвайте уреда от контакта, ако няма

Инструкции за безопасност и опазване на околната среда

да го използвате. Не пипайте щепсела с мокри ръце! Не дърпайте кабела, а винаги дръжте щепсела.

- Избършете щепсела със суха кърпа, преди да го включите в контакта.
- Не включвайте хладилника, ако контактът е разхлабен.
- Изключвайте уреда по време на монтаж, поддръжка, почистване и ремонт.
- Ако известно време няма да използвате уреда, изключете го от контакта и извадете храната.
- Не използвайте пара или втечнени почистващи препарати за почистване на хладилника и стопяване на леда вътре в него. Парата може да се свърже с електрифицираните зони и да предизвика късо съединение или токов удар!
- Не мийте уреда чрез пръскане или обливане с вода върху него! Опасност от токов удар!
- В случай на неизправност, не използвайте продукта, тъй като може да предизвика токов удар. Свържете се с оторизиран сервиз, преди да предприемете каквито и да е дейности.
- Включете продукта в заземен контакт. Заземяването трябва да е извършено от квалифициран електротехник.
- Ако продуктът има светодиодно осветление, свържете се с оторизиран сервиз за смяна или в случай на друг проблем.
- Не пипайте замразената храна с мокри ръце! Може да залепне за ръцете Ви!
- Не поставяйте течности в бутилки и кенчета във фризерното отделение. Могат да се взривят!
- Поставете течности в изправено положение след плътно затваряне на капачката.
- Не пръскайте запалими вещества в близост до продукта, тъй като може да изгори или да се взриви.



- Не съхранявайте запалими материали и продукти със запалими газове (спрейове и т.н.) в хладилника.
- Не поставяйте съдове с течности върху продукта. Пръскането
- на вода върху електрическите части може да причини токов удар и риск от пожар.
- Излагането на продукта на дъжд, сняг, слънце и вятър може да предизвика електрическа опасност. При преместване на уреда, не дърпайте, държейки дръжката на вратата. Дръжката може да се изтръгне.
- Внимавайте части от ръцете и тялото Ви да не бъдат захванати от движещите се части вътре в продукта.
- Не стъпвайте и не се облягайте на вратата, чекмеджетата и други части на хладилника. Това може да доведе до падане на продукта и повреждане на части.
- Внимавайте да не притиснете хранящия кабел.
- Когато поставяте уреда, проверете дали хранящият кабел не е захванат или повреден.
- Не поставяйте няколко разклонителя или преносими хранящи устройства в задната част на уреда.
- Вашият хладилник „Side by Side“ се нуждае от свързване с водоизточник. Ако все още няма кран за вода и трябва да се обадите на водопроводчик, моля, обърнете внимание: В случай че домът Ви е оборудван със система за подово отопление, моля, имайте предвид, че пробиването на дупки в бетонния таван може да повреди тази отоплителна система.

Инструкции за безопасност и опазване на околната среда

- Деца на възраст между 3 и 8 години могат да зареждат и разтоварват хладилни уреди.
- За да се избегне замърсяването на храната, моля придържайте се към следните указания:
- Отварянето на вратата на уреда за продължителни периоди от време може да доведе до значително нарастване на температурата в отделенията на уреда.
- Почиствайте редовно повърхностите, които влизат в контакт с храна и достъпните дренажни системи.
- Почиствайте контейнерите за вода, ако не са били използвани в продължение на 48 ч; промийте системата за вода, свързана с водоснабдителната
- мрежа, ако не е била източвана вода в продължение на 5 дни.
- Съхранявайте суровото месо и риба в подходящи контейнери в хладилника, за да не влизат в контакт с или да капят в други храни.
- Отделенията за замразени храни с две звезди са подходящи за съхранение на предварително замразени храни, за съхранение или подготвяне на сладолед и правене на кубчета лед.
- Отделенията с една, две и три звезди не са подходящи за замразяване на пресни храни.
- Ако хладилният уред бъде оставен празен за продължителни периоди от време, изключете го, размразете, почистете, подсушете и оставете
- вратата му отворена, за да предотвратите образуването на плесен в уреда.

1.1.1 НС предупреждение

Ако продуктът има система за охлаждане с R600a газ, погрижете се да избягвате повреда на системата за охлаждане и тръбата, докато използвате

и преместване на продукта. Този газ е запалим. Ако охлаждащата система е повредена, дръжте продукта далече от източници на пожар и незабавно проветрете помещението.



Етикетът върху в ътрешната страна отляво показва типа на използвания в този уред газ.

1.1.2 За модели с воден фонтан

- Налягането на входа за студена вода трябва да е максимум 90 psi (620 kPa). Ако налягането на водата надвиши 80 psi (550 kPa), използвайте клапана за ограничаване на налягането в мрежовата система. Ако не знаете как да проверите налягането на водата, потърсете помощ от професионален водопроводчик.
- Ако има риск от хидравлически удар във вашата инсталация, винаги използвайте оборудване за предотвратяване на хидравлически удар. Консултирайте се с професионален водопроводчик, ако не сте сигурни, че във вашата инсталация няма да възникне хидравлически удар.
- Не инсталирайте на входа за гореща вода. Вземете предпазни мерки срещу замръзване на маркучите. Работният интервал на температурата на водата трябва да е минимум 33°F (0,6°C) и максимум 100°F (38°C).

1.2. Употреба по предназначение

- Този уред е предназначен за домашна употреба. Не е предназначен за използване с търговска цел.
- Продуктът трябва да се използва само и единствено за съхранение на храна и течности.
- В хладилника не съхранявайте чувствителни продукти, които изискват контролирани

Инструкции за безопасност и опазване на околната среда

температури (ваксини, чувствителни на топлина лекарства, медицински консумативи и т.н.).

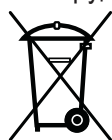
- Производителят не поема никаква отговорност за повреди, причинени от неправилна употреба или неправилно боравене.
- Оригинални резервни части ще бъдат предоставяни 10 години след датата на покупка на продукта.

1.3. Безопасност за децата

- Съхранявайте опаковъчните материали на недостъпно за деца място.
- Не позволявайте на децата да си играят с продукта.
- Ако вратата на уреда е оборудвана с ключалка, пазете ключа на място, недостъпно за деца.

1.4. Съответствие с Директива ОЕЕО за изхвърляне на отпадъчни продукти

Този продукт съответства на Директива ОЕЕО ЕС (2012/19/ЕС). Този символ носи символ за класификация за отпадък от електрическо и електронно оборудване (ОЕЕО).



Този продукт е произведен от висококачествени части и материали, които могат да се използват повторно и са подходящи за рециклиране. Не изхвърляйте продукта с нормалните битови

отпадъци и другите отпадъци в края на експлоатационния му живот. Предайте го в събирателния център

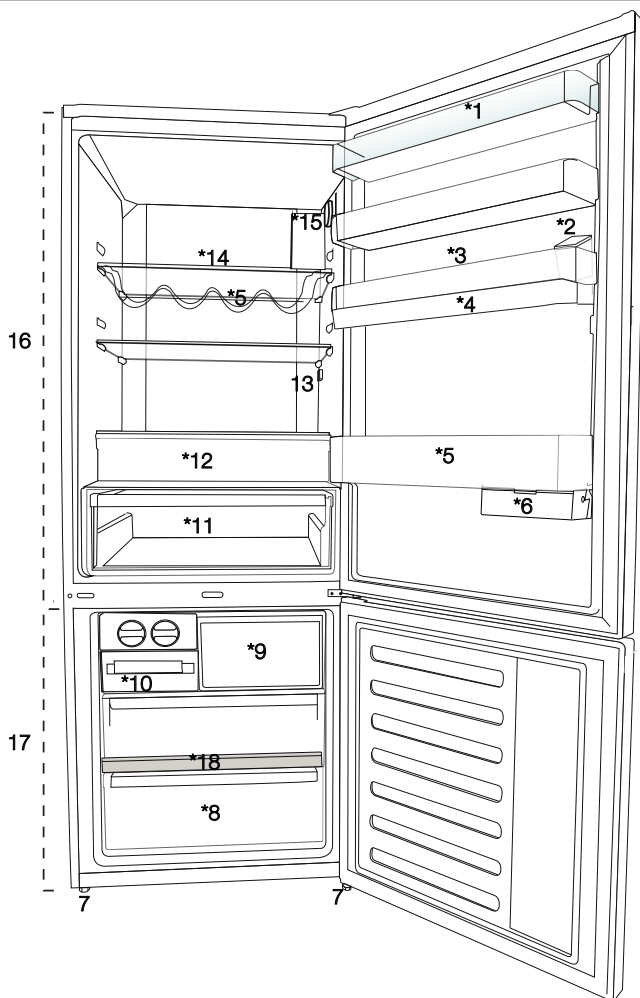
за рециклиране на електрическо и електронно оборудване. Моля, консултирайте се с местните власти, за да научите повече за тези центрове за събиране.

1.5. Съответствие с Директива RoHS

- Този продукт съответства на Директива ОЕЕО ЕС (2011/65/ЕС). Не съдържа вредни и забранени материали, посочени в Директивата.

1.6. Информация за опаковката

- Опаковката на продукта е произведена от рециклирани материали в съответствие с нашите национални разпоредби за опазване на околната среда. Не изхвърляйте опаковката заедно с местните и други отпадъци. Върнете ги в пунктовете за събиране на опаковъчни материали, определени от местните власти.





1. Рафт на вратата на хладилното отделение
2. Диспенсър за вода с резервоар за пълнене
3. Отделение за яйца
4. Воден резервоар на диспенсъра
5. Рафт за бутилки
6. Плъзгащ се контейнер за съхранение
7. Регулируеми крачета
8. Фризерно отделение за дълбоко замразяване
9. Отделение за бързо замразяване
10. Тавичка за натрупалите се кубчета лед
11. Чекмедже за зеленчуци:
12. Кошчето за млечни продукти (хладилно хранилище)
13. Вътрешна лампа
14. Стъклен рафт на хладилното отделение
15. Бутон за регулиране на температурата
16. Хладилно отделение
17. Фризерно отделение



*Опция: Фигурите в това ръководство са схематични и може да не съответстват точно на Вашия продукт. Ако Вашият продукт не съдържа съответните части, информацията се отнася за други модели.

3.1. Правилно място за монтаж

За монтажа на продукта се свържете с оторизиран сервиз. За да подготвите продукта за монтаж, вижте информацията в ръководството за експлоатация и се уверете, че електрическите и водните съоръжения отговарят на изискванията. Ако не, обадете се на електротехник и водопроводчик.

	ПРЕДУПРЕЖДЕНИЕ: Производителят не поема никаква отговорност за щети, причинени от работа, извършена от неоторизирани лица.
	ПРЕДУПРЕЖДЕНИЕ: По време на монтажа захранващият кабел на продукта трябва да е изключен. Неспазването на това изискване може да доведе до смърт или сериозни наранявания.
	ПРЕДУПРЕЖДЕНИЕ: Ако вратата не е достатъчно широка, за да може продуктът да премине свободно, демонтирайте я и завъртете продукта настрана; ако това не помогне, свържете се с оторизиран сервиз.

- Поставете продукта върху плоска повърхност, за да избегнете вибрации.
- Поставете продукта най-малко на 30 см от нагревател, печка или други източници на топлина и най-малко на 5 см от електрически печки.
- Не излагайте продукта на директна слънчева светлина и не го дръжте във влажна среда.
- Продуктът изисква достатъчна циркулация на въздуха, за да функционира ефективно. Ако ще монтирате уреда в ниша, не забравяйте да оставите разстояние от най-малко 5 см между продукта и тавана и стените.
- Не монтирайте продукт в среда с температура под -5°C .

- Вашият продукт изисква адекватна циркулация на въздуха, за да функционира ефективно. Ако продуктът ще бъде поставен в ниша, не забравяйте да оставите поне 5 см разстояние между продукта, тавана и стените.
- Ако продуктът ще бъде поставен в ниша, не забравяйте да оставите поне 5 см разстояние между продукта, тавана и стените. Проверете дали компонентът за защита на хлабина на задната стена присъства на мястото му (ако е предоставен с продукта). Ако компонентът не е налице или е изгубен или паднал, поставете продукта така, че да остане поне 5 см разстояние между задната повърхност на продукта и стените на помещението. Свободното пространство отзад е важно за ефективната работа на продукта.

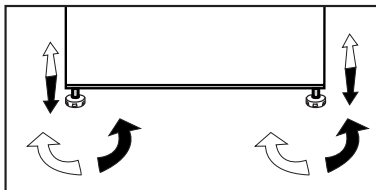
3.2. Поставяне на пластмасови клинове

Използвайте включените в обема на доставката на продукта пластмасови клинове, за да осигурите достатъчно пространство за вентилация на въздуха между продукта и стената.

1. Може да монтирате двата пластамасови клина както е показано на илюстрацията. Пластмасовите клинове осигуряват нужната дистанция между хладилника и стената, така че да се осигури циркулация на въздух. (Илюстрацията на фигурата е само пример и не отговаря точно на вашия продукт.)

3.3. Нивелиращи крачета

Ако продуктът не е в положение за балансиране, регулирайте предните нивелиращи крачета, като въртите наляво или надясно.



3.4. Свързване към захранването



ПРЕДУПРЕЖДЕНИЕ: не използвайте удължители или разклонители в електрическата мрежа.



ПРЕДУПРЕЖДЕНИЕ: Повреден захранващ кабел трябва да се подменя в оторизиран сервиз. Когато поставите два охладителя в съседна позиция, оставете разстояние от поне 4 см между двата уреда.



Фирмата ни не носи отговорност за каквито и да било щети, дължащи се на употреба без заземяване и свързване към електрическата мрежа в съответствие с националните разпоредби.

- След монтажа щепселът на захранващия кабел трябва да е лесно достъпен.
- Не използвайте многогрупов щепсел с или без удължител между контакта на стената и хладилника.

Предупреждение за гореща повърхност!

Страничните стени на Вашия продукт е оборудван с тръбите с хладилен агент за подобряване на системата на охлаждане.



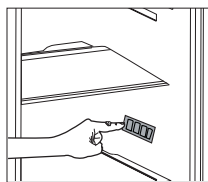
Хладилен агент с висока температура може да премине през тези зони, водещ до нагорещяване на страничните стени. Това е нормално и не се нуждае от сервизиране. Моля, бъдете внимателни, когато докосвате тези зони.

4.1. Как да спестим енергия



Свързването на продукта с енергоспестяващи системи е опасно и може да доведе до повреда на продукта.

- за свободно стоящ уред; „Този хладилен уред не е предназначен да се използва като вграден уред“.
- Не дръжте вратите на хладилника отворени дълго време.
- Не слагайте гореща храна или напитки в хладилника.
- Не препълвайте хладилника; блокирането на вътрешния въздушен поток ще намали капацитета на охлаждане.
- За да съхранявате максимално количество храна в хладилното отделение на хладилника, трябва да извадите по-горните чекмеджета и да поставите храната върху стъкления рафт. Декларираната енергийна консумация на хладилника се определя чрез изваждане на охладителя, тавата за лед и горните чекмеджета по начин, което ще даде възможност за максимално съхранение. Когато съхраняването е строго препоръчително, използвайте долните чекмеджета. За най-добър разход на енергия, трябва да бъде активирана функцията пестене на енергия.
- Не трябва да блокирате въздушния поток като поставяте храна пред охлаждащия вентилатор. Пред защитната решетка на вентилатора, трябва да се оставя свободно пространство в размер най-малко 3 см.
- В зависимост от характеристиките на продукта; размразяването на замразени храни в хладилното отделение ще осигури спестяване на енергия и запазване на качеството на храните.
- За да се гарантира икономия на енергия и защита на храните в по-добри условия, храните трябва да се съхраняват в чекмеджетата в хладилното отделение.
- Опаковките на храните не трябва да са в пряк контакт с топлинния сензор, разположен в хладилното отделение. Ако те са в контакт със сензора, потреблението на енергия на уреда може да се увеличи.



В случай, че са налични множество опции, стъклените рафтове трябва да бъдат поставени така, че изпускателните отвори на задната стена да не бъдат запушени, за предпочитане въздушните изходи да останат под стъкления рафт. Тази комбинация може да помогне за подобряване на разпределението на въздуха и енергийната ефективност.

4.2. Използване за първи път

Преди да използвате вашия хладилник, уверете се, че необходимата подготовка се прави в съответствие с инструкциите за „Безопасност и опазване на околната среда“ и „Инсталиране“.

- Оставете уреда да работи в продължение на 6 часа, без да има храна в него, и не отваряйте вратата, освен ако не е абсолютно необходимо.



Когато компресорът работи ще се чува звук. Нормално е да чувате звук, дори когато компресорът не работи, това е продиктувано от компресираните течностите и газовете в охладителната система.



Предните ъгли на хладилника може да са топли на пипане. Това е нормално. Тези зони са проектирани да се затоплят, за да се избегне кондензацията.

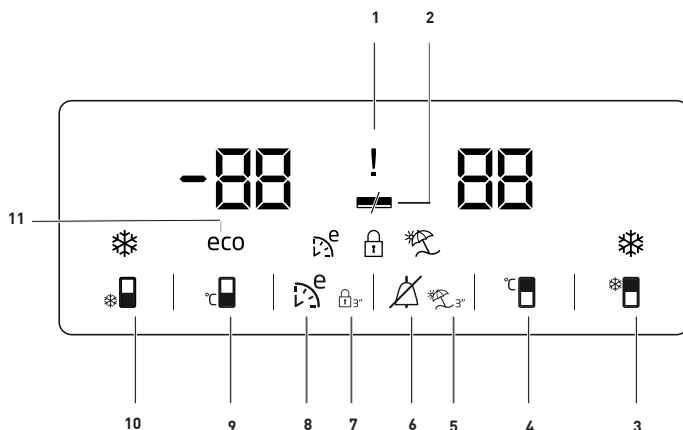


При някои модели информационният панел се изключва автоматично 5 минути след затварянето на вратата. Той ще бъде активиран отново, когато вратата се отвори или се натисне бутона.

- Тъй като във вашия продукт няма да проникне директно горещ и влажен въздух, когато вратите не се отварят, вашият продукт ще се оптимизира до условия достатъчни да предпазят храната ви. При тези обстоятелства функции и компоненти като компресор, вентилатор, нагревател, размразяване, осветление, дисплей и други ще работят според нуждите при консумиране на минимално количество енергия.

5.8 Индикаторен панел

Индикаторният панел ви позволява да задавате температура и да контролирате останалите функции на уреда, без да отваряте вратата му. Просто натиснете надписите върху съответните бутони за настройки на функцията.



1. Прекъсване на захранването / висока температура / индикатор за състояние на грешка

Този индикатор (!) свети в случай на спиране на тока, предупреждения за висока температура и грешки.

Когато температурата във фризерното отделение се нагрява до критично ниво за замразените храни, максималната стойност, достигната от температурата на фризерното отделение, мига на цифровия индикатор.

Проверете храната във фризерното отделение.

Това не е неизправност. Предупреждението може да бъде изтрито чрез натискане на който и да е бутон или на бутона за изключване на алармата за висока температура. (Отмяната чрез натискане на който и да е бутон не е приложима за всеки модел.)

Този индикатор (!) свети, когато възникне и повреда на сензора. Когато този индикатор свети, „E“ и цифри като „1,2,3 ...“ се показват съответно на температурния индикатор. Тези цифри на индикатора информират обслужващия персонал за грешката.

2. Функция за пестене на енергия (изключване на дисплея)

Ако вратите на уреда се държат затворени за дълго време, функцията за спестяване на енергия ще се активира автоматично и символът на енергоспестяването ще светне. (⏻) Когато енергоспестяващата функция е активирана, всички символи на дисплея, различни от символа за енергоспестяване, ще изгаснат. Ако при активирана функция за енергоспестяване се натисне бутон или се отвори вратата на уреда, енергоспестяващият режим се изключва, а символите на дисплея се връщат към нормално отчитане.

Може да не е достъпно във всички режими.



*Опция: Фигурите в това ръководство са схематични и може да не съответстват точно на Вашия продукт. Ако Вашият продукт не съдържа съответните части, информацията се отнася за други модели.

Отстраняване на неизправности

Енергоспестяващата функция се активира по време на доставката от фабриката и не може да бъде отменена.

3. Функция за бързо охлаждане

Този бутон има две функции. Натиснете го за кратко време, за да активирате или деактивирате функцията за бързо охлаждане. Индикаторът за бързо охлаждане ще се изключи и ще се върне към нормалните си настройки. (🔌)



Използвайте функцията за бързо охлаждане, когато искате храната, която е поставена в хладилното отделение да се охлади бързо. Ако желаете да охладите големи количества прясна храна, е препоръчително да активирате тази функция преди да сложите храната в хладилника.



Ако не изключите бързото охлаждане, то ще се изключи от само себе си след 8 часа или когато хладилното отделение достигне нужната температура.



Ако натиснете бутона „Бързо охлаждане“ многократно за кратък период от време, защитата от късо съединение ще се включи и компресорът няма да стартира веднага.



Този функция не се запазва в паметта на хладилника при прекъсване в електрическото захранване.

4. Бутон за температурната настройка във хладилното отделение

Натиснете този бутон, за да настроите температурата в хладилното отделение съответно на 8, 7, 6, 5, 4, 3, 2, 8... Натиснете бутона, за да настроите желаната температура в хладилното отделение. (🔌)

5. Функция „Ваканция“

За да активирате функцията „Ваканция“, натиснете и задръжте бутона (🌴) за 3

секунди и индикаторът на режима за ваканция (🌴) ще се активира. Когато функцията „Ваканция“ се активира, „-“ се показва на индикатора за температурата в хладилното отделение и хладилното отделение не се охлажда. Когато тази функция е активирана, не е подходящо да се държи храна в хладилното отделение. Другите отделения ще продължат да се охлаждат според зададената им температура.

За да отмените тази функция, натиснете отново бутона на **функцията Ваканция**.

6. Прекратяване на предупреждението за висока температура:

В случай на спиране на тока / предупреждение за висока температура, можете да изтриете предупреждението (🔌), като натиснете произволен бутон на индикатора или бутона за изключване на алармата за висока температура за 1 секунда, след като проверите храната във фризерното отделение.

Забележка: Отмяната чрез натискане на който и да е бутон не е приложимо за всеки модел.

7. Заклучване на бутоните

Натиснете бутона за заключване (🔒) едновременно за 3 секунди. Символът за заключване на клавишите (🔒) ще светне и режимът за заключване ще се активира. При активиран режим на заключване, бутоните няма да функционират. Натиснете отново бутона за заключване на клавишите за 3 последователни секунди. Символът за заключване на клавишите ще изгасне и режимът на заключване на клавишите ще се деактивира. Ако искате да предотвратите промяна на температурните настройки на хладилника, натиснете **бутона за заключване на клавишите** на хладилника (🔒).

8. Еко охлаждане

Натиснете и задръжте бутона за еко охлаждане за 1 секунда, за да активирате функцията за еко охлаждане. Хладилникът ще започне да работи в най-икономичния режим най-малко след 6 часа, а индикаторът за икономична употреба ще се включи, когато функцията е активна (E). Натиснете и задръжте бутона за еко охлаждане за 3 секунди, за да деактивирате функцията за еко охлаждане.

Този индикатор свети 6 часа, след като функцията за еко охлаждане е активирана.

9. Бутон за температурната настройка в отделението на фризера

Натиснете този бутон, за да настроите температурата във отделението на фризера съответно на -18,-19,-20,-21, -22, -23,-24, -18...т.н. Натиснете бутона, за да настроите желаната температура във фризерното отделение. (C)

10. Бутон на функцията за бързо замразяване / бутон за включване-изключване за образуване на лед

Натиснете този бутон, за да активирате или деактивирате функцията за бързо замразяване. Когато активирате функцията, фризерното отделение ще се охлажда до температура, по-ниска от зададената стойност. (D)

За да включите или изключите образуването на лед, натиснете и го задръжте за 3 секунди.



Използвайте функцията за бързо замразяване, когато искате храната, която е поставена в отделението на фризера да се замрази бързо. Ако желаете да замразите големи количества прясна храна, е препоръчително да активирате тази функция преди да сложите храната в хладилника.



Ако не изключите бързото замразяване, то ще се изключи от само себе си след 4 часа или когато хладилното отделение достигне нужната температура.



Тази функция не се запазва в паметта на хладилника при прекъсване в електрическото захранване.

11. Индикатор за икономична употреба

Показва, че уредът работи в енергийно-ефективен режим. (eco). Този индикатор ще бъде активен, ако температурата на отделение на фризера е настроена на -18 или енергийно ефективното охлаждане се осъществява благодарение на функцията „Еко-Екстра“.

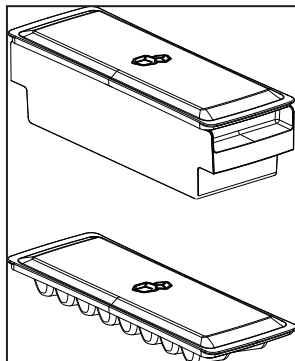


Индикаторът за икономично използване е изключен, когато са избрани функциите за бързо охлаждане или бързо замразяване.

5.1. Кофичка за лед

(опционално)

- Вземете кофичката за лед от фризерното отделение.
- Напълнете кофичката за лед с вода.
- Поставете кофичката за лед във фризерното отделение.
- Ледът ще бъде готов след около два часа. Вземете кофичката за лед от фризерното отделение и я огнете върху съда, в който ще го поставите. Ледът лесно ще изпадне в съда за сервиране.



Използване на продукта

5.2. Поставка за яйца

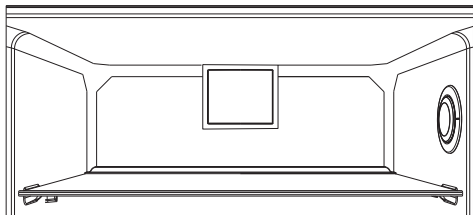
Можете да поставите поставката за яйца, по ваш избор, на рафт на вратата или в хладилника. Ако решите да я поставите в хладилника, се препоръчва да се предпочитат рафтовете долу, тъй като там е по-студено.



Не поставяйте поставката за яйца във фризерното отделение.

5.3. Вентилатор

Вентилаторът е проектиран да разпространява хомогенно циркулиращия студен въздух във вашия хладилник. Времето на работа на охлаждащия вентилатор може да варира в зависимост от характеристиките на уреда ви. Докато в някои уреди вентилаторът работи само с компресор, при други системи за контрол се определя време на работа на базата на необходимостта от охлаждане.



5.4. Кош за зеленчуци

(Опционално)

Кошът за зеленчуци е предназначен да пази пресните зеленчуци като запазва влагата. За тази цел, в кош за зеленчуци се засилва общата циркулация на студения въздух.

5.5. Отделение с нулева температура

(Опционално)

Използвайте това отделение, за да запазите деликатесите при по-ниски температури или месните продукти за директна консумация. Отделението с нулева температура е най-хладното място, където храни като млечни продукти, месо, риба и пилешко месо може да се съхраняват при идеални условия за съхранение. Зеленчуците и/или плодовете не трябва да се поставят в това отделение.

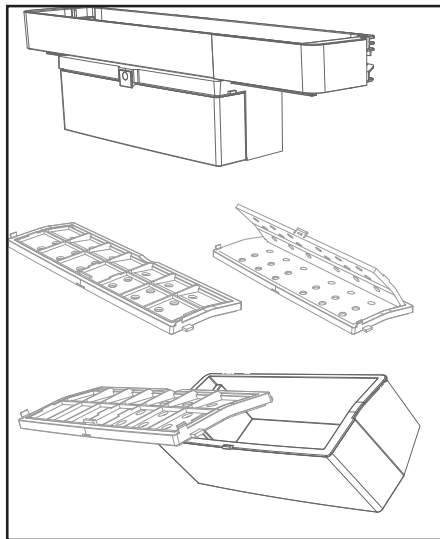
HerbBox/HerbFresh

Извадете контейнера от HerbBox/HerbFresh+
Извадете тънкия пласт от торбичката и го поставете в контейнера, както е показано на изображението.

Затворете контейнера и го поставете в HerbBox/HerbFresh+.

HerbBox-HerbFresh+ са особено подходящи за съхранение на различни билки, които трябва да се съхраняват в специални условия. Можете да съхранявате неопакowanите билки (магданоз, копър и т.н.) в това отделение хоризонтално и ги запазете свежи за по-продължителен период от време.

Слоят трябва да се сменя на всеки шест месеца.



Използване на продукта

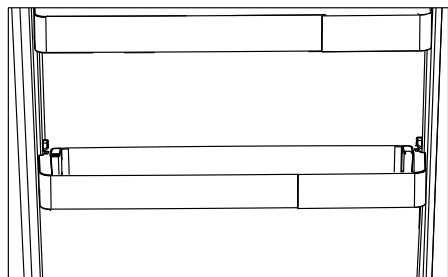
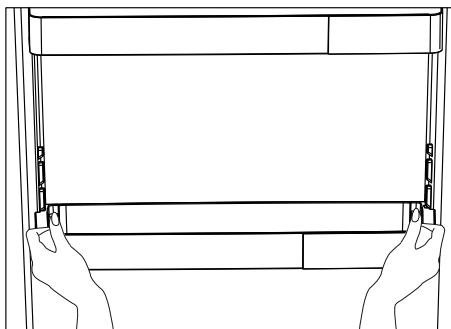
5.6. Подвижни рафтове на вратата (Опционално)

Подвижните рафтове на вратата могат да се поставят на 3 различни позиции.

За да преместите рафт, натиснете равномерно бутоните отстрани. Рафтът ще се стане подвижен.

Преместете рафта нагоре и надолу.

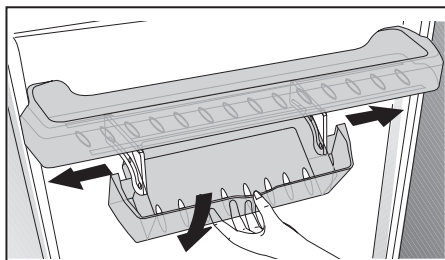
Когато рафтът е в позицията, която вие желаете, освободете бутоните. Рафтът ще бъде закрепен в позицията, при която сте освободили бутоните.



5.7. Плъзгащ се контейнер за съхранение (Опционално)

Този аксесоар е проектиран да увеличи обема на рафтовете на вратата.

Благодарение на способността си да се движи настрани, той ви позволява лесно да поставите висока бутилка, буркан или кутии, които ще поставите в мястото за бутилки по-долу.



Използване на продукта

5.8. Кош за зеленчуци с контролиране на влажността (Опционално)

С функцията за контрол на влагата, процентът на влажност на зеленчуците и плодовете се контролира и това осигурява свежи храни за по-дълъг период.

Препоръчително е, листните зеленчуци, като марули, спанак и други зеленчуци, склонни към загуба на влага, да се съхраняват не с корените си надолу, а в хоризонтално положение в коша за зеленчуци.

Когато поставяте зеленчуците, поставяйте тежките и твърдите зеленчуци на дъното и леките и меките зеленчуци върху тях, като се взимат предвид специфичните тегла на зеленчуците.

Не оставяйте зеленчуците в коша за зеленчуци в найлонови торбички. Ако оставите зеленчуците в найлонови торби, те ще изгният много бързо. В случаите, когато не е желателен допирът на едни зеленчуци с други, използвайте опаковъчни материали, като например хартия, която има определена шупливост по отношение на хигиената.

Не поставяйте плодове, които отделят газ етилен, като круши, кайсии, праскови и особено ябълки в същия кош за зеленчуци, с другите зеленчуци и плодове. Газът етилен може да бъде причина другите плодове и зеленчуци да узреят по-бързо и да започнат да гният.

5.9. Автоматична машина за лед (Опционално)

Автоматична машина за лед ви дава възможност лесно да правите лед във вашия хладилник. За да получите лед от машината за лед, извадете резервоара за вода от охладителното отделение, напълнете го с вода и го върнете обратно.

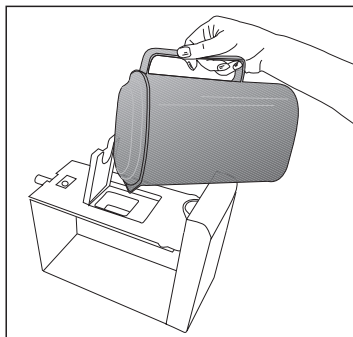
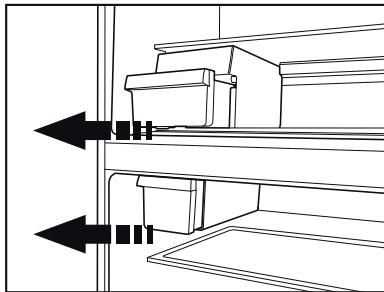
Първият лед ще бъде готов след около 2 часа в чекмеджето на машината за лед в охладителното отделение.

След като поставите пълен резервоар с вода, можете да получите около 60-70 кубчета лед.

Ако водата в резервоара е престояла 2-3 седмици, трябва да я смените.



В продукти с автоматична машина за лед, когато се изсипва леда, можете да чуete звук. Този звук е нормално нещо и не е сигнал за тревога.



Използване на продукта

5.10. Icematic и контейнер за съхранение на лед

*опция

Употреба на Icematic

Напълнете Icematic с вода и го поставете в гнездото му. Ледът ще бъде готов след около 2 часа. Не сваляйте Icematic от гнездото му при вземането на леда.

Завъртете копчетата на клетките за лед на 90 градуса.

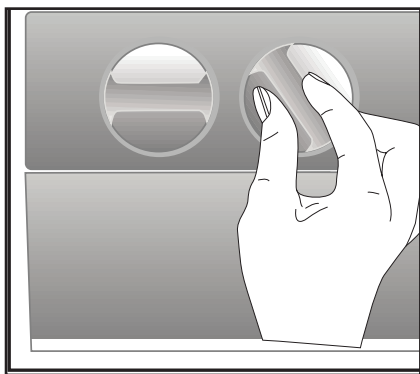
Кубчетата лед от клетките ще изпаднат в контейнера за съхранение на лед отдолу.

Може да извадите контейнера за съхранение на лед и да сервирайте кубчетата лед.

Ако желаете може да запазите кубчетата лед в контейнера за съхранение на лед.



Контейнер за съхраняване на лед

Контейнерът за съхранение на лед е предназначен единствено за събиране на кубчета лед. Не сипвайте вода в него. В противен случай той ще се счупи.




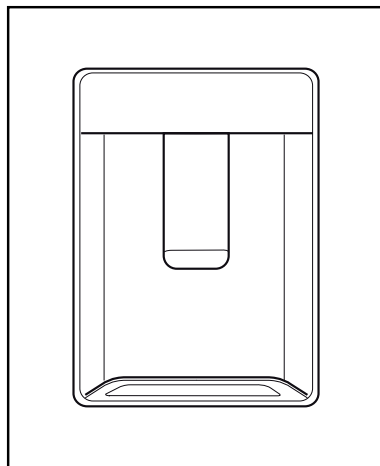
5.11. Употреба на водния диспенсър

*опция

	Нормално е първите няколко чаши вода, сипани от диспенсера да са топли.
	Ако водният диспенсър не е използван дълго време, изхвърлете първите няколко чаши вода, докато не получите свежа вода.

1. Натиснете ръчката на диспенсера с чашата си. Ако използвате мека пластмасова чаша, ще ви е по-лесно да натиснете ръчката с ръка.
2. След като напълните чашата до нивото, което желаете, освободете ръчката.

	Моля забележете, че водната струя зависи от натиска, който оказвате на ръчката. Когато водното ниво в порцелановата / стъклена чаша се покачи, леко намалете натиска върху ръчката, за да избегнете разлив на вода. Ако натиснете леко ръчката, водата ще протече; това е съвсем нормално, а не дефект.
---	---



Използване на продукта

5.12. Пълнене на резервоара на диспенсъра за вода

Резервоарът за пълнене с вода се намира вътре при стелажите на вратата.

1. Отворете капака на резервоара.
2. Напълнете резервоара с прясна питейна вода.
3. Затворете капака.



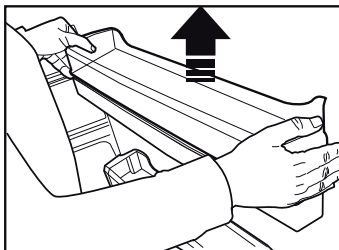
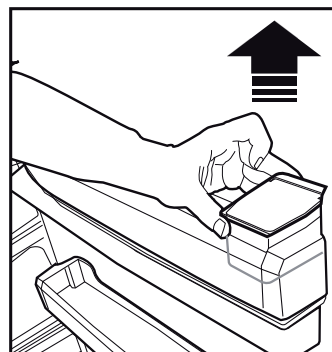
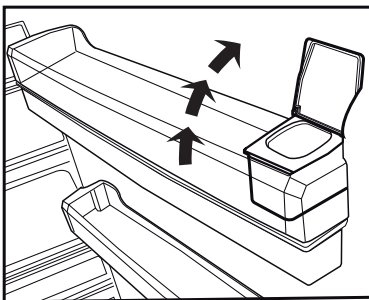
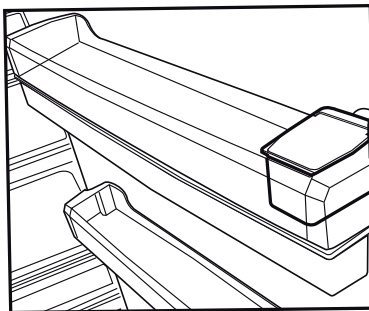
Не пълнете водния резервоар с никакви други течности освен вода, като например плодови сокове, газирани напитки или алкохол - те не са подходящи за водния диспенсър. Той ще се повреди непоправимо ако го използвате за този вид течности. Гаранционното обслужване не покрива повреди от такава употреба. Някои химически вещества и добавки, съдържащи се в тези напитки/течности може да повреди водния резервоар.



Използвайте само чиста питейна вода.



Резервоарът за вода има капацитет 3 литра; не го препълвайте.



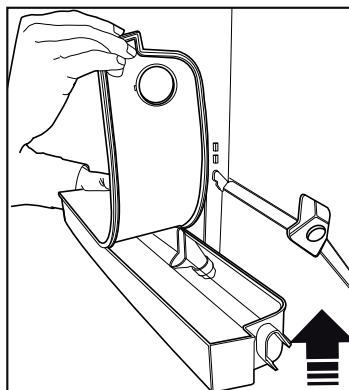
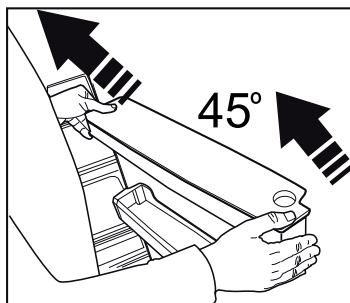
Използване на продукта

5.13. Почистване на резервоара за вода

1. Извадете резервоара за вода от стелажите на вратата.
2. Премахнете стелажите на вратата като ги държите от двете страни.
3. Хванете резервоара за вода и от двете страни и го извадете под ъгъл от 45°С.
4. Отворете капака на резервоара и почистете резервоара.

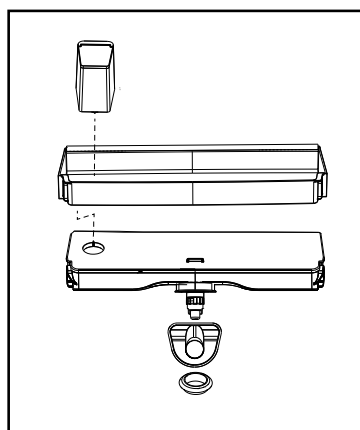
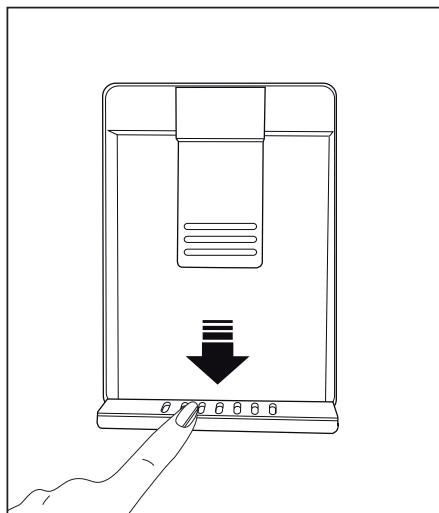


Частите на водния резервоар и на диспенсера не бива да се мият в съдомиялна машина.



5.14. Тавичка за оттичане

Водата, която капе при използването на диспенсера се събира в оттичащата тавица. Отстранете пластмасовия филтър, както е показано на фигурата. Отстранете водата, която се е събрала, с чиста и суха кърпа.



5.15. Използване на втория контейнер за свежи храни



Фигура 1.

Както е показано на фигурата, в контейнера за свежи храни на модел К70560 има 2 стопера.



Фигура 2.

Вторият контейнер за свежи храни изглежда като показания на фигура 2, когато е затворен. Докато вратата е отворена на 90°, издърпайте



Фигура 3.

вторият контейнер за свежи храни нагоре до първи стопер, както е показано на фигура 3. Ако чекмеджето е отворено повече, първо отворете вратата на поне 135° градуса. След това, както е показано на фигура 4, повдигнете втория контейнер за свежи храни на около 5 mm, така че да се освободи от първия стопер.

Фигура 4.



След повдигане издърпайте второто чекмедже нагоре до втория контейнер за свежи храни, както е показано на



Фигура 5.

5.16. Замразяване на прясна храна

- За да запазите качеството на храната, хранителните продукти във фризерното отделение трябва да се замразят възможно най-бързо, използвайки функцията за бързо замразяване.
- Замразяването на пресни хранителни продукти ще удължи времето им за съхранение във фризерното отделение.
- Опаковайте хранителните продукти в херметически затворени опаковки и запечатайте плътно.
- Уверете се, че хранителните продукти са опаковани, преди да ги поставите във фризера. Използвайте държките на фризера, станиол и влагоустойчива хартия, пластмасова чанта или подобни опаковъчни материали, вместо традиционната хартия за опаковане.
- Надпишете датата върху всеки хранителен продукт, преди да го замразите. Това ще Ви позволи да определите свежестта на всеки пакет, всеки път когато отворите фризера. Дръжте по-рано замразените продукти в предната част, за да ги използвате първи.
- Замразените хранителни продукти трябва да се използват веднага след размразяване и не трябва да се замразяват отново.
- Не замразявайте големи количества храна наведнъж.

5.17. Препоръки за съхранение на замразена храна

Отделението трябва да се настрои най-малко на -18°C .

1. Поставете хранителните продукти във фризера възможно най-бързо, за да се избегне размразяване.
2. Преди замразяване проверете “Срок на годност” на опаковката, за да се уверите, че не е изтекъл.
3. Уверете се, че опаковката не е повредена

5.18. Подробности за дълбокото замразяване

Съгласно IEC 62552 стандартите, фризерът трябва да е в състояние да замрази 4,5 кг хранителни продукти при -18°C или по-ниски температури в рамките на 24 часа за всеки 100 литра обем на фризерното отделение. Хранителните продукти могат да се запазят само за продължителни периоди от време при температура от -18°C . Можете да запазите хранителните продукти свежи в продължение на месеци (във фризер за дълбоко замразяване при или под 18°C).

Хранителните продукти, които ще се замразяват, не трябва да влизат в контакт с вече замразената храна, за да се избегне частично размразяване. Сварете зеленчуците и филтрирайте водата, за да удължите периода на съхранение. Поставете храната в херметически затворени опаковки след филтриране и поставете във фризера. Банани, домати, маруля, целина, варени яйца, картофи и други подобни хранителни продукти не трябва да се замразяват. Замразяването на тези хранителни продукти просто ще намали хранителната им стойност и хранителните им качества, като е възможно и разваляне, което е вредно за здравето.

Фризер	Хладилник	Описания
-18°C	4°C	Това е препоръчителната настройка по подразбиране.
$-20, -22$ или -24°C	4°C	Тези настройки са препоръчителни за температури на околната среда над 30°C .
Бързо замразяване	4°C	Използвайте, за да замразите бързо хранителните продукти, продуктът ще се върне към първоначалните настройки, когато процесът приключи.
-18°C или по-студено	2°C	Използвайте тези настройки, ако смятате, че хладилното отделение не е достатъчно студено, поради температурата на околната среда или честото отваряне на вратата.

5.19. Поставяне на храната

Фризер	Различни замразени стоки, включително месо, риба, сладолед, зеленчуци и т.н.
Хладилник	Хранителни стоки в тенджери и други домакински съдове с капаци, яйца (в покрит съд)
Хладилник	Малка и опакована храна или течности
Отделения за зеленчуци	Плодове и зеленчуци
Прясна храна	Деликатесни храни (закуски, месни продукти, които трябва да се консумират в кратък срок)

5.20. Аларма за отворена врата (Опция)

Ще чуете звуков сигнал, ако вратата на уреда е оставена затворена в продължение на 1 минута. Звуковият сигнал ще спре, когато вратата се затвори или се натисне някой бутон на дисплея (ако е приложимо).

5.21. Вътрешно осветление

Вътрешното осветление е светодиодна лампа. Свържете се с оторизиран сервиз за всякакви проблеми, свързани с тази лампа. Лампата(ите), използвана(и) в този уред, не е(са) подходяща(и) за осветление на дома. Лампата е предназначена да подпомага потребителя при оставяне на хранителните продукти в хладилника/фризера по безопасен и удобен начин.

5.22. Смяна посоката на отваряне на вратата

Посоката, на която се отваря вратата на хладилника, може да се промени според мястото, на което го използвате. При необходимост се свържете с най-близкия оторизиран сервиз.

5.23. Синя светлина / HarvestFresh

* Може да не е налично при всички модели

За синята светлина,

Плодовете и зеленчуците, съхранявани в чекмеджетата, които са осветени със синя светлина, продължават фотосинтезата си чрез ефекта на дължината на вълната на синята светлина и по този начин запазват съдържанието на витамини.

Относно HarvestFresh,

Плодовете и зеленчуците, съхранявани в чекмеджетата, осветени с технологията HarvestFresh запазват витамините си за по-дълго време благодарение на сините, зелените, червените светлини и тъмните цикли, които симулират дневен цикъл. Ако отворите вратата на хладилника през тъмния период на технологията HarvestFresh, хладилникът автоматично ще улови това и ще даде възможност на синьо-зелената или червената светлина да освети чекмеджетата за ваше удобство. След като затворите вратата на хладилника, тъмният период ще продължи, представяйки нощното време в дневен цикъл.

5.24. Кошчето за млечни продукти (хладилно хранилище)

Осигурява по-ниска температура в отделението на хладилника. Използвайте този кош за съхранение на деликатеси (салам, колбаси, млечни продукти и др.), които изискват по-ниска температура на съхранение или месо, пиле или рибни продукти за незабавна консумация. Не съхранявайте плодове и зеленчуци в този кош.

6 Поддръжка и почистване

Редовното почистване на продукта ще удължи сервизния му живот.



ПРЕДУПРЕЖДЕНИЕ: Изключете захранването, преди да почистите хладилника.

- Не използвайте остри и абразивни инструменти, сапун, почистващи препарати са дома, детергенти, газ, бензин, лак и други подобни вещества за почистване.
- Разтворете една чаена лъжичка сода бикарбонат във вода. Навлажнете парче плат и изстискайте. Избършете уреда с тази кърпа и подсушете добре.
- Погрижете се върху капака на лампата и другите електрически части да не попадне вода.
- Почистете водата с помощта на влажна кърпа. Извадете всички предмети, за да извадите вратата и рафтовете. Повдигнете рафтовете на вратата, за да ги извадите. Почистете и подсушете рафтовете, след това ги монтирайте отново, плъзгайки ги отгоре.
- Не използвайте хлорна вода или продукти за почистване на външната повърхност и хромираните части на продукта. Хлорът ще предизвика ръжда по тези метални повърхности.

6.1. Предотвратяване на образуване на лоши миризми

Продуктът се произвежда без никакви миризливи материали. Въпреки това съхранението на хранителните продукти в неподходящи секции и неправилното почистване на вътрешните повърхности може да доведе до образуване на лоши миризми. За да избегнете това, почиствайте вътрешността с газирана вода на всеки 15 дни.

- Съхранявайте храната в затворени съдове. Микроорганизмите могат да се разпространят извън незапечатани хранителни продукти и да причинят лоши миризми.
- Да не се съхраняват храни с изтекъл срок на годност и развалени такива в хладилника.

- Не използвайте остри и абразивни инструменти или сапун, домашни почистващи препарати, перилни препарати, бензин, бензол, восъчни и т.н., в противен случай щампите върху пластмасови части ще изчезнат и ще настъпи деформация. Използвайте топла вода и мека кърпа за почистване и подсушаване.

6.2. Защита на пластмасовите повърхности

Разлятото олио върху пластмасовите повърхности може да повреди повърхностите и трябва веднага да се почисти с топла вода.

6.3. Стъкла на вратите

- Свалете предпазното фолио на стъклата.
- Върху повърхността на стъклата има специално покритие. Ова покритие намалява образуването на петна и спомага за по-лесното премахване на възможни петна и мръсотия. Стъклата без такова покритие са изложени на постоянното влияние на органични или неорганични замърсители във въздуха или водата, като например варовик, минерални соли, неогорени въглеводороди, метални оксиди и силикони, които лесно и бързо водят до петна и материални щети. Поддържането на стъклото чисто е много трудно дори и при редовно почистване. В следствие на това изгледът и прозрачността на стъклото се съсипва. Груби и абразивни методи и материали за почистване усилват тези дефекти и засилват процесът на разлагане.
- За редовно почистване трябва да се използват неалкални и неабразивни почистващи препарати на водна основа.
- За почистване трябва да се ползват неалкални неабразивни материали с цел удължаване оперативния живот на това покритие.
- Стъклата са закалени за да се увеличат тяхната устойчивост срещу ведно влияние и счупване.
- Задните повърхности също са покрити с предпазен слой като допълнителна предпазна мярка при счупване с цел предпазване на околните части.
- *Алкалите са основи, които образуват хидроксидни йони (OH^-) когато се разтворят във вода.
- Металите Li (литий), Na (натрий), K (калий) Rb (рубидий), Cs (цезий) и изкуствения радиоактивен Fr (франций) се наричат АЛКАЛНИ МЕТАЛИ.

7. Отстраняване на неизправности

Проверете този списък, преди да се свържете със сервиза. Това ще Ви спести време и пари. Този списък включва честите оплаквания, които не са свързани с дефектна изработка или материали. Някои функции, споменати тук, може да не са валидни за вашия продукт.

Хладилникът не работи.

- Щепселът не е влезнал добре >>> Включете го, за да влезе напълно в контакта.
- Предпазителят, свързан към гнездото за захранване на продукта или на главния предпазител, е изгорял. >>> Проверете предпазителите.

Кондензацията на страничната стена на хладилното отделение (MULTI ZONE, COOL, CONTROL и FLEXI ZONE).

- Вратата се отваря твърде често >>> Внимавайте да не отваряте вратата твърде често.
- Околната среда е твърде влажна. >>> Не инсталирайте продукта във влажна околна среда.
- Храните, съдържащи течности, се съхраняват в незапечатани съдове >>> Съхранявайте храните, съдържащи течности, в затворени съдове.
- Вратата на уреда е оставена отворена. >>> Не дръжте вратата на уреда отворена за дълго време.
- Термостатът е настроен на твърде ниска температура. >>> Настройте термостата на подходяща температура.

Компресорът не работи.

- В случай на внезапно прекъсване на захранването или издърпване щепсела на захранването и повторното му включване, налягането на газа в охладителната система на продукта не е балансиран, което задейства термична защита на компресора. Продуктът ще се рестартира след около 6 минути. Ако продуктът не се рестартира след този период, свържете се със сервиза.
- Размразяването е активно. >>> Това е нормално за напълно автоматичното размразяване на продукта. Размразяването става периодично.
- Продуктът не е включен. >>> Уверете се, че захранващият кабел е включен.
- Неправилна настройка на температурата. >>> Изберете подходящата настройка на температурата.
- Захранването е изключено. >>> Продуктът ще продължи да работи нормално след възстановяване на захранването.

Работният шум на хладилника се увеличава по време на употреба.

- Работата на продукта може да варира в зависимост от промените на стайната температура. Това е нормално и не е неизправност.

Хладилникът работи твърде често или твърде дълго.

Отстраняване на неизправности

- Новият продукт може да е по-голям от предишния. По-големите продукти ще работят по-дълго.
- Температурата в помещението може да е висока. >>> Продуктът обикновено ще работи по-дълго при висока температура в помещението.
- Продуктът може да е включен наскоро или нов хранителен продукт да е поставен вътре. >>> На продуктът ще му отнеме повече време, за да достигне зададената температура, когато е наскоро включен или в него е поставен нов хранителен продукт. Това е нормално.
- В продукта скоро може да са били поставени големи количества гореща храна. >>> Не поставяйте гореща храна или напитки в хладилника.
- Вратите са отваряни често или са били държани отворени дълго. >>> Движещият се вътре топъл въздух ще позволи на продукта да работи по-дълго. Не отваряйте твърде често вратите.
- Вратата на фризера или хладилника може да е открената. >>> Уверете се, че вратите са напълно затворени.
- Зададената температура може да е твърде ниска. >>> Задайте по-висока температура и изчакайте продукта да достигне настроената температура.
- Шайбата на вратата на хладилника или фризера може да е замърсена, износена, счупена или да не е поставена правилно. >>> Почистете или сменете шайбата. Повредената/ износена шайба на вратата ще доведе до по-продължителна работа на продукта, за да се запази текущата температура.

Температурата във фризера е твърде ниска, но температурата в хладилника е достатъчна.

- Твърде ниска зададена температура във фризерното отделение >>> Задайте по-висока температура във фризерното отделение и проверете отново.

Температурата в хладилника е твърде ниска, но температурата във фризера е достатъчна.

- Твърде ниска зададена температура в хладилното отделение >>> Задайте по-висока температура във фризерното отделение и проверете отново.

Съхраняваните в хладилното отделение хранителни продукти са замразени.

- Твърде ниска зададена температура в хладилното отделение >>> Задайте по-висока температура във фризерното отделение и проверете отново.

Температурата в хладилника или фризера е твърде висока.

Отстраняване на неизправности

- Твърде висока зададена температура в хладилното отделение. >>> Зададената температура в хладилното отделение влияе и на температурата във фризерното отделение. Промяна на температурата на охладителя или фризер отделение и изчакайте, докато температурата на свързаните отделения достигне подходящо ниво.
- Вратите са отваряни често или са били държани отворени дълго. >>> Не отваряйте твърде често вратите.
- Вратата може да е открехната. >>> Напълно затворете вратата.
- Продуктът може да е включен наскоро или нов хранителен продукт да е поставен вътре. >>> Това е нормално. На продукта ще му отнеме повече време, за да достигне зададената температура, когато е наскоро включен или в него е поставен нов хранителен продукт.
- В продукта скоро може да са били поставени големи количества гореща храна. >>> Не поставяйте гореща храна или напитки в хладилника.

Разклащане или шум.

- Теренът не е равен или устойчив. >>> Ако продуктът се тресе, когато се премества бавно, настройте крачетата за балансиране на продукта. Уверете се, че основата е достатъчно устойчива да издържи продукта.
- Всички предмети, поставени върху хладилника, може да предизвика шум. >>> Отстранете всички предмети, поставени върху продукта.

Продуктът издава шум на течаша, изтичаща и пръскаща течност.

- Принципите на функциониране на продукта включват течни и газови потоци. >>> Това е нормално и не е неизправност.

От продукта се чува звук на вятър.

- Продуктът използва вентилатор за процеса на охлаждане. Това е нормално и не е неизправност.

Има конденз по вътрешните стени на продукта.

- Горещото или влажно време ще увеличи леда и конденза. Това е нормално и не е неизправност.
- Вратите са отваряни често или са били държани отворени дълго. >>> Не отваряйте вратите твърде често; ако е отворена, затворете вратата.
- Вратата може да е открехната. >>> Напълно затворете вратата.

Отстраняване на неизправности

Има конденз върху екстериора на продукта или между вратите.

- Времето на околната среда може да е влажно, това е съвсем нормално при влажно време. >>> Кондензът ще се разсея, когато влажността на въздуха намалее.

Интериорът мирише лошо.

- Продуктът не се почиства редовно. >>> Почистете вътрешността редовно, използвайки гъба, топла вода и газирана вода.
- Някои съдове и опаковъчни материали може да предизвикат миризми. >>> Използвайте съдове и опаковъчни материали без мирис.
- Храната е поставена в неправилен съд. >>> Съхранявайте храната в затворени съдове. Микроорганизмите могат да се разпространят извън незапечатани хранителни продукти и да причинят лоши миризми.
- Отстранете всякакви развалени храни или такива с изтекъл срок на годност от продукта.

Вратата не се затваря.

- Хранителните пакети може да блокират вратата. >>> Преместете всички продукти, блокиращи вратите.
- Продуктът не е в изцяло изправено положение върху пода. >>> Настройте крачетата, за да балансирате продукта.
- Теренът не е равен или устойчив. >>> Уверете се че основата е достатъчно устойчива и равна, за да издържи продукта.

Отделението за зеленчуци е заседнало.

- Хранителните продукти може да са в контакт с горната част на чекмеджето. >>> Препоредете хранителните продукти в чекмеджето.

Ако Повърхностите На Уреда Са Горещи

- Докато уредът работи, могат да се наблюдават високи температури между двете врати, страничните панели и задната решетка. Това е нормално и не изисква сервизна услуга! Бъдете внимателни, когато докосвате тези зони.



ПРЕДУПРЕЖДЕНИЕ: Ако проблемът не бъде отстранен, след като следвате инструкциите в този раздел, свържете се с вашия доставчик или с оторизиран сервиз. Не се опитвайте да ремонтирате уреда.

ТКАЗ ОТ ОТГОВОРНОСТ / ПРЕДУПРЕЖДЕНИЕ

Някои (прости) неизправности могат да бъдат адекватно обработени от крайния потребител, без да възникнат проблеми с безопасността или опасна употреба, при условие че те се извършват в границите и в съответствие със следващите инструкции (вижте раздела „Саморемонт“).

Следователно, освен ако не е разрешено друго в раздела „Саморемонт“ по-долу, ремонтите ще бъдат адресирани до регистрирани професионални сервизи, за да се избегнат проблеми с безопасността. Регистриран професионален сервиз е професионален сервиз, който е получил достъп до инструкциите и списъка с резервни части на този продукт от производителя съгласно методите, описани в законодателните актове съгласно Директива 2009/125 / ЕО.

Само сервизният агент (т.е. оторизиран професионален сервиз), с когото можете да се свържете чрез телефонния номер, даден в ръководството за потребителя / гаранционната карта или чрез Вашия оторизиран дилър, може да предоставя услуга при условията на гаранцията.

Ето защо, моля, имайте предвид, че ремонтите от професионални сервизи (които не са упълномощени от Веко) анулират гаранцията.

Саморемонт

Саморемонтът може да се извърши от крайния потребител по отношение на следните резервни части: дръжки на вратите, панти, тави, кошници и уплътнения на вратите (актуализиран списък е наличен и в support.beko.com от 1 март 2021 г.).

Освен това, за да се гарантира безопасността на продукта и да се предотврати риск от сериозни наранявания, споменатият саморемонт трябва да се извърши, следвайки инструкциите

в ръководството за потребителя за саморемонт или които са налични в support.beko.com За Ваша безопасност, изключете продукта от контакта, преди да опитате да извършите ремонт.

Ремонтите и опитите за поправка от крайни потребители за части, които не са включени в такъв списък и / или не следват инструкциите в ръководствата за потребителя за самостоятелно поправяне или които са налични в support.beko.com, може да повдигнат проблеми с безопасността, които не могат да бъдат отнесени Веко, и ще анулират гаранцията на продукта.

Поради това е силно препоръчително крайните потребители да се въздържат от опитите да извършват ремонти, попадащи извън посочения списък с резервни части, като в такива случаи се свързват с упълномощени професионални сервизи или регистрирани професионални сервизи. Напротив, такива опити от крайни потребители могат да причинят проблеми с безопасността и да повредят продукта и впоследствие да причинят пожар, наводнение, токов удар и сериозно нараняване.

Като пример, но не само, следните ремонти трябва да бъдат адресирани до оторизирани професионални сервизи или регистрирани професионални сервизи: компресор, охладителна верига, основна платка, инверторна платка, табло за показване и др.

Производителят / продавачът не може да носи отговорност във всеки случай, когато крайните потребители не спазват горното.

Наличността на резервни части на хладилник, която сте закупили, е 10 години. През този период ще бъдат на разположение оригинални резервни части за правилна експлоатация на хладилник. Минималната продължителност на гаранцията на закупения от вас хладилник е 24 месеца.

Stimate client,

Dorim să obțineți performanțe optime prin utilizarea produsului nostru, care a fost fabricat în unități moderne și verificat conform celor mai riguroase proceduri de control al calității.

În acest scop, înainte de a utiliza produsul, vă rugăm să citiți manualul de utilizare în întregime și să-l păstrați pentru a-l consulta pe viitor. Dacă predați produsul unei alte persoane, oferiți acest manual împreună cu produsul.




Manualul de utilizare asigură utilizarea rapidă și sigură a produsului.


- Citiți manualul de utilizare înainte de instalarea și utilizarea produsului.
- Respectați întotdeauna instrucțiunile aplicabile referitoare la siguranță.
- Păstrați manualul de utilizare la îndemână pentru a-l putea consulta ulterior.
- Citiți și celelalte documente furnizate împreună cu produsul.







Rețineți că instrucțiunile din acest manual se pot aplica și altor modele de produse. Acest manual precizează cu exactitate toate modificările diferitelor modele.

Simboluri și observații

Acest manual de utilizare conține următoarele simboluri:

	Informații importante și sfaturi utile.
	Pericol de moarte și pagube materiale.
	Pericol de electrocutare.

	Ambalajul produsului este fabricat din materiale reciclabile, în conformitate cu Legislația națională privind mediul înconjurător.
--	--

	INFORMAȚII	
	ENERGY 	
<small>SUPPLIER'S NAME</small>	<small>MODEL IDENTIFIER</small> → (*)	
		
Informațiile despre model, care sunt stocate în baza de date a produselor, pot fi obținute prin accesarea următorului site web și căutarea identificatorului dvs. de model (*) aflat pe eticheta energetică.		
https://eprel.ec.europa.eu/		

1 Instrucțiuni privind siguranța și mediul 4

- 1.1. Siguranța generală 4
 - 1.1.1 Avertisment HC 6
 - 1.1.2 Pentru modelele cu dozator de apă. 6
- 1.2. Domeniu de utilizare 7
- 1.3. Siguranța copiilor 7
- 1.4. Conformitatea cu Directiva DEEE și eliminarea deșeurilor 7
- 1.5. Conformitatea cu Directiva RoHS 7
- 1.6. Informațiile de pe ambalaj 7

2 Frigider 8

3 Instalarea 9

- 3.1. Locul corect pentru montare 9
- 3.2. Montarea distanțierelor din plastic 9
- 3.3. Ajustarea picioarelor 9
- 3.4. Conexiunea electrică 10

4 Pregătirea 11

- 4.1. Sfaturi pentru economisirea energiei 11
- 4.2. Prima utilizare 11

5 Utilizarea produsului 13

- 5.1. Panou indicator 13
- 5.2. Recipientul pentru gheață 16
- 5.3. Suport de ouă 16
- 5.4. Ventilator 16
- 5.5. Compartiment de legume 16
- 5.6. Compartiment de zero grade 16
- 5.7. Folosirea celui de-al doilea compartiment pentru legume al produsului; 17
- 5.8. Raft de ușă mobil 18
- 5.9. Cutii de stocare glisante 18
- 5.10. Modul de dezodorizare 18
- 5.11. Controlul umidității în compartimentul de legume 19
- 5.12. Aparat automat de gheață 19
- 5.13. Aparatul IceMatic și recipientul de depozitare a gheții. 20

- 5.14. Dozatorul de apă 20
- 5.15. Utilizarea dozatorului de apă. 20
- 5.16. Curățarea rezervorului de apă. 22
- 5.17. Tava pentru apă. 23
- 5.18. Congelarea alimentelor proaspete. 24
- 5.19. Recomandări pentru depozitarea alimentelor congelate 24
- 5.20. Detalii despre congelator 25
- 5.21. Introducerea alimentelor. 25
- 5.22. Alarmă de ușă deschisă 25
- 5.23. Schimbarea direcției de deschidere a ușii 25
- 5.24. Bec interior 25
- 5.25. Blue Light/HarvestFresh 26
- 5.26. Cutia pentru lactate (depozitare la rece) asigură 26





6 Întreținerea și curățarea 27

- 6.1. Evitarea mirosurilor urât mirositoare. 27
- 6.2. Protejarea suprafețelor din plastic 27
- 6.3. Geamuri din sticlă 27

7 Depanare 28

Această secțiune descrie instrucțiunile de siguranță necesare pentru a împiedica riscul de vătămare corporală și pagubele materiale. Nerespectarea acestor instrucțiuni va anula toate tipurile de garanție a produsului.

Domeniu de utilizare

	AVERTISMENT: Mențineți duzele de ventilație, din carcasa echipamentului sau din structura integrată, neblocați.
	AVERTISMENT: Nu utilizați dispozitive medicale sau alte mijloace pentru a accelera procesul de decongelare decât cele recomandate de producător.
	AVERTISMENT: Nu deteriorați circuitul de agent frigorific.
	AVERTISMENT: Nu utilizați echipamente electrice în interiorul compartimentelor de depozitare a alimentelor ale echipamentului, dacă acestea nu sunt de tipul recomandat de producător.

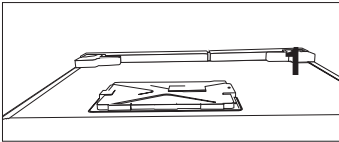
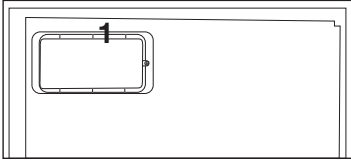
Acest echipament este făcut pentru a fi folosit pentru aplicații domestice sau similare, precum:

- chicinețe pentru angajați în magazine, birouri sau alte medii de lucru;
- ferme și de către clienți în hoteluri, moteluri și alte medii rezidențiale;
- medii de tip pensiune;
- catering și aplicații care nu țin de vânzarea cu amănuntul asemănătoare.

1.1. Siguranța generală

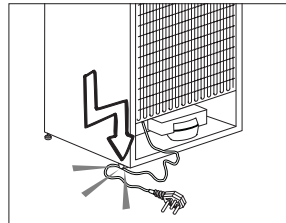
- Acest produs nu este destinat utilizării de către persoane având capacități fizice, senzoriale și mentale reduse, fără cunoștințe suficiente sau fără experiență, sau de către copii. Aparatul poate fi utilizat de aceste persoane numai dacă sunt supravegheate și dacă au fost instruite de o persoană responsabilă pentru siguranța lor. Nu lăsați copiii să se joace cu acest aparat.
- În caz de funcționare necorespunzătoare, scoateți aparatul din priză.
- După scoaterea aparatului din priză, așteptați cel puțin 5 minute înainte de a-l introduce din nou în priză.
- Scoateți aparatul din priză când nu îl utilizați.
- Nu atingeți priza dacă aveți mâinile umede! Nu trageți de cablu când scoateți aparatul din priză, țineți întotdeauna de ștecăr.
- Nu introduceți frigiderul în priză dacă duza este slăbită.
- Scoateți aparatul din priză în timpul instalării, întreținerii, curățării și reparării.
- Dacă produsul nu se va utiliza o anumită perioadă de timp, scoateți aparatul din priză și scoateți toate alimentele din interior.
- Nu utilizați produsul când compartimentul cu carduri cu circuite aflat în partea superioară din spate a produsului (capac cutie cu carduri electrice) (1) este deschis.

Instrucțiuni privind siguranța și mediul



- Nu utilizați aburi sau materiale de curățare cu aburi pentru curățarea frigiderului și topirea gheții din interior. Aburul poate intra în contact cu zonele electrificate și poate cauza scurtcircuit sau șoc electric!
- Nu spălați aparatul pulverizând sau turnând apă pe acesta! Pericol de electrocutare!
- În caz de nefuncționare, nu utilizați produsul, întrucât poate cauza șocuri electrice. Contactați centrul de service autorizat înainte de a face ceva.
- Introduceți produsul într-o priză cu împământare. Împământarea trebuie realizată de un electrician calificat.
- Dacă produsul este prevăzut cu iluminare cu leduri, contactați un centru de service autorizat pentru înlocuire sau în caz de orice probleme.
- Nu atingeți alimentele congelate dacă aveți mâinile umede! Acestea se pot lipi de mâini!
- Nu introduceți băuturi la sticlă sau la doză în congelator. Acestea pot exploda!
- Puneți lichidele în poziție verticală după ce ați închis bine capacul.

- Nu pulverizați substanțe inflamabile în apropierea aparatului. Pericol de incendiu și explozie.
- Nu păstrați materiale inflamabile și produse cu gaze inflamabile (spray-uri etc.) în frigider.
- Nu amplasați recipiente conținând lichide pe aparat. Pulverizarea apei pe o piesă electrificată poate cauza șoc electric și pericol de incendiu.
- Expunerea aparatului la ploaie, zăpadă, soare și vânt afectează siguranța sistemului electric. Atunci când mutați frigiderul, nu apucați de mâner. Mânerul se poate rupe.
- Aveți grijă să nu vă prindeți orice parte a mâinilor sau a corpului în oricare dintre piesele mobile din interiorul produsului.
- Nu călcați sau nu vă sprijiniți de ușă, sertare și alte piese similare ale frigiderului. Astfel produsul poate cădea, iar piesele se pot deteriora.
- Aveți grijă să nu vă împiedicați de cablul de alimentare.



- La amplasarea aparatului, verificați cablul de alimentare să nu fie blocat sau deteriorat.
- Nu puneți prize multiple sau prelungitoare în spatele aparatului.
- **Frigiderul dvs. Side by Side are nevoie de o conexiune la apă.**

Instrucțiuni privind siguranța și mediul

Dacă nu e disponibil un robinet de apă încă și trebuie să chemați un instalator, nu uitați : In cazul în care casa dvs. E prevăzută cu un sistem de încălzire în pardoseală, țineți cont de faptul că , perforarea plafonului de beton ar putea avaria acest sistem de încălzire.

- Copiilor cu vârsta cuprinsă între 3 și 8 ani li se permite să încarce și să descarce aparatele frigorifice.
- Pentru a evita contaminarea alimentelor, vă rugăm să respectați următoarele instrucțiuni:
 - – Deschiderea ușii pentru perioade lungi poate cauza o creștere semnificativă a temperaturii în compartimentele aparatului.
 - – Curățați periodic suprafețele care pot intra în contact cu alimentele și sistemele de drenaj accesibile.
 - – Curățați rezervoarele de apă dacă acestea nu au mai fost folosite timp de 48 h; clătiți sistemul de apă conectat la sursă de apă dacă nu s-a consumat apă timp de 5 zile.
- – Depozitați carnea crudă și peștele crud în recipiente potrivite în frigider, astfel încât să nu intre în contact cu alte alimente sau să picure pe acestea.
- – Compartimentele cu alimente congelate setate la două stele sunt potrivite pentru depozitarea alimentelor pre-congelate, depozitarea sau prepararea înghețatei și obținerea cuburilor de gheață.
- – Compartimentele setate la una, două, trei stele nu sunt potrivite pentru congelarea alimentelor

proaspete.

- – Dacă aparatul frigorific este lăsat gol pentru perioade de timp lungi, opriți-l, dezghețați-l, curățați-l, uscați-l și lăsați ușa deschisă pentru a preveni formarea mucegaiului în aparat.

1.1.1 Avertisment HC

Dacă produsul dvs. este echipat cu un sistem de răcire cu gaz R600a, aveți grijă să nu deteriorați sistemul de răcire și conductele în timpul utilizării și transportării aparatului. Acest gaz este inflamabil. Dacă sistemul de răcire este deteriorat, feriviți produsul de potențialele surse de incendiu și ventilați încăperea imediat.



Tipul de gaz utilizat la produsul dvs. este indicat pe eticheta amplasată în interior, pe partea stângă.

1.1.2 Pentru modelele cu dozator de apă

- Presiunea la racordul de alimentare cu apă rece trebuie să fie de maxim 90 psi (620 kPa). Dacă presiunea apei depășește 80 psi (550 kPa), utilizați o supapă de limitare a presiunii la sistemul dvs. de alimentare. Dacă nu știți cum să verificați presiunea apei, cereți ajutorul unui instalator profesionist.
- În cazul în care există riscul efectului de lovitură de berbec al apei în instalația dvs., utilizați întotdeauna un echipament de prevenire a efectului de lovitură de berbec al apei la instalația dvs. Consultați un instalator profesionist dacă nu sunteți siguri cu privire la

Instrucțiuni privind siguranța și mediul

lipsa efectului de lovitură de berbec al apei în instalația dvs.

- Nu instalați pe racordul de alimentare cu apă caldă. Luați măsuri de precauție împotriva riscului de înghețare a furtunurilor. Intervalul temperaturii de funcționare a apei va fi 33°F (0,6°C) minim și 100 ° F (38°C) maxim.
- A se utiliza numai apă potabilă.

1.2. Domeniu de utilizare

- Acest produs a fost conceput pentru uz casnic. Acesta nu este destinat utilizării în scopuri comerciale.
- Produsul trebuie utilizat numai pentru a păstra alimente și băuturi.
- Nu păstrați în frigider produse sensibile care necesită temperaturi controlate (vaccinuri, medicație sensibilă la căldură, materiale medicale etc.).
- Producătorul nu își asumă răspunderea pentru orice deteriorare cauzată de utilizare sau manipulare incorectă.
- Piese de schimb originale vor fi furnizate timp de 10 ani, de la data cumpărării produsului.

1.3. Siguranța copiilor

- Nu lăsați materialele la îndemâna copiilor.
- Nu permiteți copiilor să se joace cu produsul.
- Dacă ușa este dotată cu o încuietoare, nu lăsați cheia la îndemâna copiilor.

1.4. Conformitatea cu Directiva DEEE și eliminarea deșeurilor

Acest produs este în conformitate cu Directiva UE privind DEEE (2012/19/UE). Produsul este prevăzut cu un simbol de clasificare pentru deșeurile de echipamente electrice și electronice (WEEE).



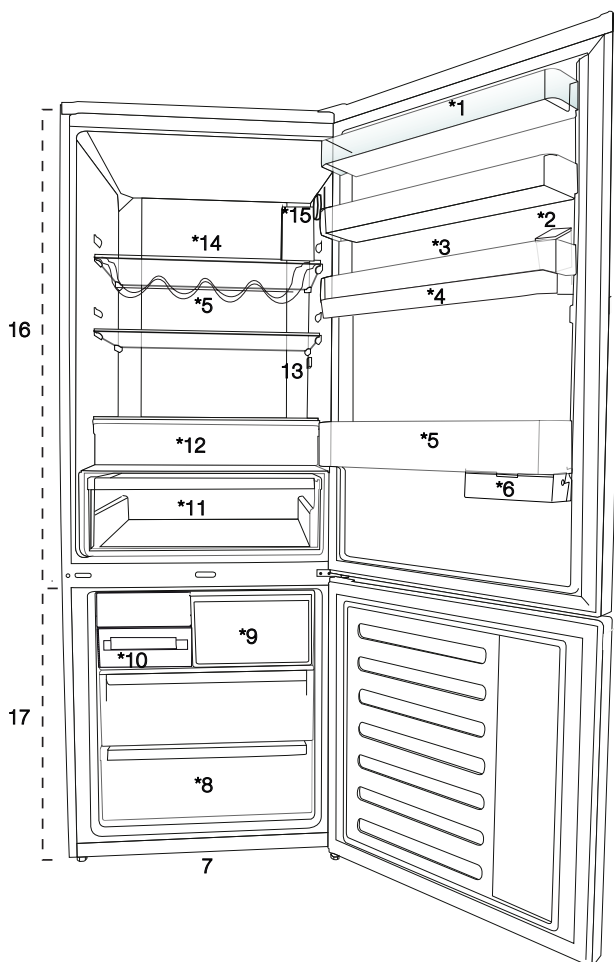
Acest produs a fost fabricat cu componente și materiale de înaltă calitate și care pot fi refolosite și sunt potrivite pentru reciclare. Nu eliminați deșeurile produse împreună cu deșeurile menajere normale și alte deșeurile la sfârșitul duratei de viață a produsului. Predați-l la centrul de colectare pentru reciclarea echipamentelor electrice și electronice. Consultați autoritățile locale pentru a afla despre aceste centre de colectare.

1.5. Conformitatea cu Directiva RoHS

- Acest produs este în conformitate cu Directiva UE privind DEEE (2011/65/UE). Acesta nu conține materiale nocive și interzise specificate în Directivă.

1.6. Informațiile de pe ambalaj

- Materialele de ambalare a produsului sunt fabricate din materiale reciclabile în conformitate cu Reglementările naționale privind mediul. Nu eliminați materialele de ambalare împreună cu deșeurile menajere sau alte deșeurile. Predați-le la punctele de colectare a ambalajelor desemnate de autoritățile locale.



1. Raft uşă compartiment congelator
2. Rezervor de umplere a dozatorului de apă
3. Compartimentul pentru ouă
4. Rezervorul dozatorului de apă
5. Raft pentru sticle
6. Cutii de stocare glisante
7. Picioare reglabile
8. Compartiment congelator
9. Compartiment de congelare rapidă
10. Tavă cuburi de gheaţă și recipient pentru gheaţă
11. Compartiment de legume
12. Cutia pentru lactate (depozitare la rece)
13. Bec interior
14. Raft uşă compartiment congelator
15. Buton de reglare temperatură
16. Compartiment congelator
17. Compartimentul congelatorului



*Opțional: Imaginile din acest manual de utilizare sunt schematice și este posibil să nu fie identice cu produsul dumneavoastră. Informațiile pentru componentele care nu există în dotarea produsului achiziționat de dumneavoastră se aplică pentru alte modele.

3 Instalarea

3.1. Locul corect pentru montare

Pentru montarea produsului, contactați service-ul autorizat. Pentru pregătirea produsului pentru montare, consultați informațiile din ghidul de utilizare și asigurați-vă că conexiunile electrice și de apă sunt corespunzătoare. Dacă nu, apelați la un electrician și instalator pentru a face aceste conexiuni corespunzătoare.

	AVERTISMENT: Producătorul nu își va asuma răspunderea pentru orice pagube rezultate din activitatea efectuată de către persoane neautorizate.
	AVERTISMENT: În timpul montării produsului, cablul de alimentare trebuie să fie deconectat. Nerespectarea acestui lucru poate cauza decesul sau vătămări grave!
	AVERTISMENT: Dacă lățimea ușii este prea mică pentru ca produsul să treacă prin aceasta, scoateți ușa și rotiți produsul pe o parte; dacă nici acest lucru nu funcționează, contactați service-ul autorizat.

- Plasați produsul pe o suprafață dreaptă pentru evitarea vibrațiilor.
- Plasați produsul la o distanță de cel puțin 30 cm de radiator, plită sau surse similare de căldură și la cel puțin 5 cm de cuptoare electrice.
- Nu expuneți produsul la razele solare directe sau mențineți-l în medii umede.
- Pentru funcționarea eficientă a produsului acesta necesită o circulare a aerului corespunzătoare.
- Dacă produsul va fi montat într-un chioșc, amintiți-vă să lăsați cel puțin 5 cm distanță între produs, tavan și pereți.
- Nu montați produsul în medii cu temperaturi sub -5°C .
- Produsul dvs. necesită o circulație adecvată a aerului pentru a funcționa eficient. Dacă produsul va fi plasat într-o nișă, nu uitați să lăsați o distanță de cel puțin 5 cm între produs și tavan, peretele din spate și pereții laterali.

- Dacă produsul va fi plasat într-o nișă, nu uitați să lăsați o distanță de cel puțin 5 cm între produs și tavan, peretele din spate și pereții laterali. Verificați dacă elementul de protecție a spațiului la peretele din spate se află în locația sa (dacă este furnizat împreună cu produsul). Dacă elementul nu este disponibil sau dacă este pierdut sau căzut, poziționați produsul astfel încât să rămână o distanță de cel puțin 5 cm între suprafața din spate a produsului și pereții camerei. Spațiul din spate este important pentru funcționarea eficientă a produsului.

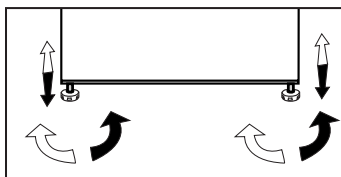
3.2. Montarea distanțierelor din plastic

Utilizați distanțierile din plastic furnizate împreună cu produsul pentru a furniza o distanță suficientă pentru circulația aerului între produs și perete.

1. Pentru montarea distanțierilor, scoateți șuruburile de pe produs și utilizați șuruburile furnizate împreună cu distanțierile.
2. Introduceți cei 2 distanțieri din plastic pe protecția sistemului de ventilare, conform figurii de mai jos.



3.3. Ajustarea picioarelor

Dacă produsul nu se află în poziție de echilibru, reglați picioarele frontale prin rotirea acestora în partea stângă sau dreaptă.




Instalarea

3.4. Conexiunea electrică

	AVERTISMENT: Nu utilizați prelungitoare sau prize multiple în conexiunea electrică.
	AVERTISMENT: Cablul de alimentare avariat trebuie să fie înlocuit de către un service autorizat.
	Atunci când plasați două frigideră în poziții adiacente, lăsați o distanță de cel puțin 4 cm între acestea.

- Compania noastră nu își va asuma răspunderea pentru orice pagube rezultate din utilizarea fără împământare și conexiune electrică neconformă cu regulamentele naționale.
- Ștecherul cablului de alimentare trebuie să fie ușor accesibil după instalare.
- Nu utilizați ștechere multiple cu sau fără prelungitoare între priza de perete și frigider.

	Avertisment suprafață fierbinte Pereții laterali ai produsului sunt echipați cu țevi de refrigerare pentru a ameliora sistemul de răcire. Agentul frigorific cu temperaturi înalte poate curge prin aceste zone, rezultând suprafețe fierbinți pe pereții laterali. Este normal și nu este nevoie de reparații. Fiți atenți în timp ce atingeți aceste zone.
---	---

4 Pregătirea

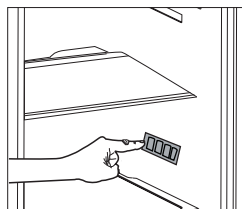
4.1. Sfaturi pentru economisirea energiei



Conectați produsul la sistemele de economisire a energiei electrice este periculoasă și poate cauza avariarea produsului.

- Pentru un aparat autonom; „acest aparat frigorific nu este destinat utilizării ca aparat încorporat. Nu mențineți ușile frigiderului deschise pentru perioade lungi de timp.
- Nu introduceți alimente calde sau băuturi în frigider.
- Nu supraîncărcați frigiderul; blocarea curentului intern de aer va reduce capacitatea de răcire.
- Pentru depozitarea cantității maxime de alimente în compartimentul de congelare al frigiderului, dumneavoastră trebuie să scoateți sertarele superioare și să introduceți raftul din sticlă. Consumul de energie declarat al frigiderului dumneavoastră a fost determinat prin scoaterea compartimentului de congelare, tăvii de gheață și a sertarelor superioare pentru a permite depozitarea maximă. În momentul depozitării, este recomandat utilizarea sertarului inferior. Funcția de economisire a energiei trebuie să fie activată pentru cel mai bun consum de energie.
- Nu trebuie să blocați debitul de aer prin introducerea alimentelor în fața ventilatorului congelatorului. În momentul introducerii alimentelor, un spațiu de minim 3 cm trebuie să fie lăsat în fața grilajului de protecție al ventilatorului.
- Depinzând de caracteristicile produsului; dezghețarea alimentelor congelate în compartimentul de congelare va asigura economisire de energie și va menține calitatea alimentelor.
- Alimentele trebuie să fie depozitate utilizând sertarele din compartimentul congelatorului pentru a se asigura economisirea energiei și protejerea acestora în condiții mai bune.
- Ambalajele alimentelor nu trebuie să fie în contact direct cu senzorul de căldură localizat în congelator. Dacă acestea se află în contact cu senzorul, consumul de energie al produsului ar putea crește.

- Asigurați-vă că alimentele nu se află în contact cu senzorul de temperatură al compartimentului congelatorului descris mai jos.
- În cazul în care există mai multe opțiuni, rafturile din sticlă trebuie amplasate astfel încât intrările de aer de la peretele din spate să nu fie blocate, intrările de aer preferabil să rămână sub raftul de sticlă. Această combinație poate ajuta la îmbunătățirea distribuției de aer și eficienței energetice.



4.2. Prima utilizare

Înainte de a utiliza frigiderul, asigurați-vă că operațiunile necesare de pregătire respectă instrucțiunile aflate în secțiunile "Instrucțiuni de siguranță și mediu" și "Montaj":

- Mențineți funcționarea produsului fără alimente timp de 6 ore și nu deschideți ușa, doar dacă este absolut necesar.



Un sunet va fi auzit atunci când compresorul este angrenat. Atunci când compresorul este inactiv este normal să auziți acest sunet, datorită lichidelor și gazelor compresibile aflate în sistemul de răcire.



Marginile frontale ale produsului se pot încălzi. Acest fenomen este normal. Aceste zone sunt proiectate să se încălzească pentru prevenirea condensării.



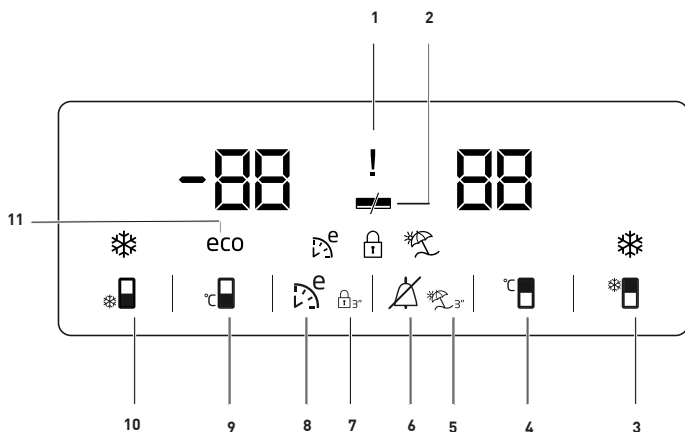
La unele modele, panoul cu instrumente se oprește după 5 minute după ce ușa a fost închisă. Acesta va fi reactivat atunci când ușa a fost deschisă sau când o tastă este apăsată.

- Deoarece aerul fierbinte și umed nu pătrunde direct în produs atunci când ușile nu sunt deschise, acesta se va auto-optimiza pentru a vă proteja alimentele. Funcțiile și componentele cum ar fi compresorul, ventilatorul, încălzitorul, dezghețarea, iluminarea, afișajul etc vor funcționa conform necesității unui consum minim de energie în aceste condiții.

5 Utilizarea produsului

5.1. Panou indicator

Panoul indicator vă permite să setați temperatura și să controlați celelalte funcții corespunzătoare produsului fără deschiderea ușii produsului. Doar apăsați inscripțiile de pe butoanele relevante pentru setările funcțiilor.



1. Întreruperea curentului electric/ Temperatură ridicată/Eroare stare indicator:

Acest indicator (!) se aprinde în caz de întrerupere a curentului electric, de temperatură ridicată și de avertizări de eroare.

Dacă temperatura compartimentului congelator este ridicată la un nivel critic pentru alimentele congelate, valoarea maximă atinsă de temperatura compartimentului congelator clipește pe indicatorul digital.

Verificați alimentele în compartimentul congelator. Aceasta nu este o defecțiune. Avertizarea poate fi ștearsă prin apăsarea oricărui buton sau a butonului pentru dezactivarea alarmei la temperaturi înalte. (Anularea prin apăsarea oricărui buton nu se aplică pentru orice model.)

Acest indicator (!) se mai aprinde când apare o defecțiune a senzorului. Dacă acest indicator este aprins, „E” și cifrele, precum „1,2,3...” sunt afișate alternativ pe indicatorul de temperatură. Aceste

cifre de pe indicator informează tehnicianul de service despre eroare.

2. Funcția de economisire a energiei (afișaj oprit):

Dacă ușile produsului sunt menținute închise pentru o durată lungă de timp funcția de economisire a energiei este activată automat și simbolul de economisire a energiei este iluminat. (☞)

În momentul când funcția de economisire a energiei este activată, toate simbolurile de pe afișaj altele decât simbolul de economisire a energiei vor fi oprite. În momentul când funcția de economisire a energiei este activată, dacă orice buton este apăsat sau ușa este deschisă, funcția de economisire a energiei va fi anulată iar simbolurile de pe afișaj vor reveni la normal. Funcția de economisire a energiei este activată în timpul expedierii din fabrică și nu poate fi anulată.



*Opțional: Imaginile din acest manual de utilizare sunt schematice și este posibil să nu fie identice cu produsul dvs. Informațiile pentru componentele care nu există în dotarea produsului achiziționat de dvs. se aplică pentru alte modele.

Utilizarea produsului

3. Buton funcție Quick freeze/buton pornit-oprit aparat icematic

Apăsati acest buton pentru a activa sau a dezactiva funcția de congelare rapidă. Atunci când activați această funcție, compartimentul frigider va fi răcit la o temperatură mai mică decât valoarea setată. (❄️)

Pentru a porni și opri aparatul icematic apăsați și mențineți apăsat timp de 3 secunde.



Utilizați funcția de răcire rapidă atunci când doriți să răciți rapid alimentele introduse în compartimentul frigider. Dacă doriți să răciți cantități mari de alimente proaspete, activați această funcție înainte de introducerea alimentelor în frigider.



Dacă nu anulați, funcția de răcire rapidă se va anula automat după 8 ore sau în momentul în care compartimentul frigiderului ajunge la temperatura dorită.



Dacă apăsați butonul de congelare rapidă în mod repetat la intervale scurte, protecția circuitului electronic va fi activată, iar compresorul nu va porni imediat.



Această funcție nu este memorată în momentul în care energia revine după o pană de curent.

4. Buton setare temperatură compartiment frigider

Apăsati acest buton pentru a seta temperatura compartimentului frigiderului la 8, 7,6, 5,4,3, 2, și respectiv 8. Apăsati acest buton pentru a seta temperatura compartimentului frigider la valoarea dorită. (🌡️)

5. Funcția Vacanță:

Pentru a activa funcția Vacanță, apăsați acest buton (🏠) timp de 3 secunde, iar indicatorul modului Vacanță (🏠) va fi activat. Atunci când funcția Vacanță este activată, semnul " - - " este afișat pe indicatorul de

temperatură a compartimentul frigider iar nicio operațiune activă de răcire nu este efectuată în compartimentul frigider. Atunci când această funcție este activată, nu este potrivit să mențineți alimente în compartimentul frigider. Alte compartimente vor continua să fie răcite după setarea temperaturii

Pentru anularea acestei funcții apăsați butonul **funcției Vacanță** din nou.

6. Încetarea avertizării de temperatură ridicată:

În cazul unei întreruperi a curentului electric/ avertizări de temperatură ridicată, puteți șterge avertizarea (🔊) apăsând orice buton timp de 1 secundă de pe indicator sau butonul de dezactivare a alarmei la temperaturi înalte, după verificarea alimentelor din compartimentul congelatorului.

Notă: Anularea prin apăsarea oricărui buton nu se aplică pentru orice model.

7. Blocare taste


Apăsati butonul de blocare a tastelor (🔒) simultan timp de 3 secunde. Simbol blocare taste Simbolul (🔒) se va aprinde iar modul de blocare a tastelor va fi activat. În momentul când modul de blocare a tastelor este activ, tastele nu vor funcționa. Apăsati din nou butonul de blocare a tastelor simultan timp de 3 secunde. Simbolul de blocare a tastelor se va stinge, iar modul de blocare a tastelor va fi dezactivat.

Apăsati butonul de **blocare a tastelor** dacă dumneavoastră doriți să preveniți modificarea setării temperaturii frigiderului. (🔒)

8. Eco fuzzy

Apăsati și mențineți butonul Eco Fuzzy timp de o secundă pentru a activa funcția Eco Fuzzy. Frigiderul va funcționa în cel mai economic mod timp de 6 ore, iar indicatorul de utilizare economică va fi aprins în momentul în care

Utilizarea produsului

această funcție este activă (). Apăsăți și mențineți butonul Eco Fuzzy timp de 3 secunde pentru a dezactiva funcția Eco Fuzzy.


Acest indicator este iluminat după 6 ore după ce funcția Eco Fuzzy este activată.

9. Buton setare temperatură compartiment congelator

Apăsăți acest buton pentru a seta temperatura compartimentului congelatorului la -18, -19, -20, -21, -22, -23, -24, respectiv -18. Apăsăți acest buton pentru a seta temperatura compartimentului congelator la valoarea dorită.



10. Funcția Quick Fridge:

Butonul are două funcții. Pentru activarea și dezactivarea funcției de răcire rapidă apăsați butonul scurt. Indicatorul Răcire rapidă se va stinge, iar frigiderul va reveni la setările normale. ()



Utilizați funcția de congelare rapidă atunci când doriți să congelați rapid alimentele introduse în compartimentul frigider. Dacă doriți să congelați cantități mari de alimente proaspete, activați această funcție înainte de introducerea alimentelor în frigider.




Dacă nu anulați, funcția de răcire rapidă se va anula automat după 4 ore sau în momentul în care compartimentul frigiderului ajunge la temperatura dorită.



Această funcție nu este memorată în momentul în care energia revine după o pană de curent.

11. Indicator de utilizare economică

Indică că produsul funcționează într-un mod eficient din punct de vedere al energiei.

() Acest indicator va fi activ dacă temperatura compartimentul congelatorului este setată la -18 sau răcirea eficientă din punct de vedere economic este efectuată datorită funcției Eco-Extra

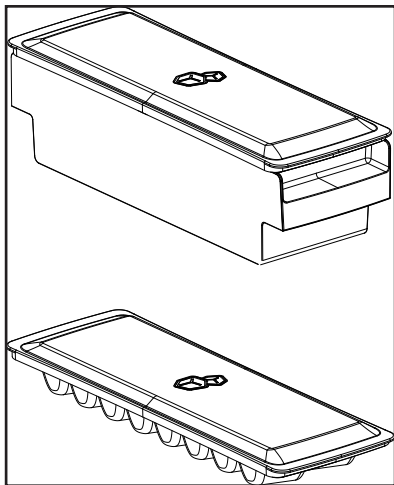


Indicatorul de utilizare economică este oprit atunci când funcțiile de răcire și congelare rapidă sunt selectate.

Utilizarea produsului

5.2. Recipientul pentru gheață (Opțional)

- Luați recipientul pentru gheață din compartimentul congelator.
- Umpleți recipientul pentru gheață cu apă.
- Plasați recipientul pentru gheață în compartimentul congelator.
- Gheața va fi gata după aproximativ două ore. Luați recipientul pentru gheață din compartimentul congelatorului și înclinați-l ușor peste suportul pe care-l veți servi. Gheața va curge ușor în suportul de servire.



5.3. Suport de ouă

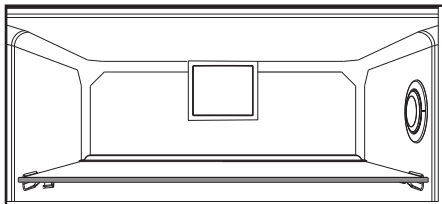
Dumneavoastră puteți plasa suportul de ouă pe ușă sau rafturile corpului. Dacă dumneavoastră decideți să plasați suportul pe rafturi, este recomandat să-l montați pe rafturile de jos deoarece sunt mai reci.



Nu plasați suportul pentru ouă în compartimentul congelatorului.

5.4. Ventilator

Ventilatorul a fost proiectat să distribuie și să circule și să distribuie omogen aerul rece în interiorul frigiderului. Durata de funcționare a ventilatorului poate varia în funcție de caracteristicile produsului dumneavoastră. În timp ce la unele produse, ventilatorul funcționează doar cu compresor, în altele sistemul de control determină durata de funcționare bazată pe nevoia de răcire.



5.5. Compartiment de legume (Opțional)

Compartimentul de legume al produsului este proiectat să mențină legumele proaspete prin păstrarea umidității. În acest scop, circulația totală a aerului rece este intensificată în compartimentul de legume.

5.6. Compartiment de zero grade (Opțional)

Utilizați acest compartiment să mențineți alimentele delicate la temperaturi mai scăzute sau produse din carne pentru consum imediat. Compartimentul de zero grade este cel mai rece compartiment unde alimentele cum ar fi produse lactate, carne pește și pui pot fi depozitate în condiții ideale de depozitare. Fructele și/sau legumele nu trebuie depozitate în acest compartiment.

Utilizarea produsului

5.7. Folosirea celui de-al doilea compartiment pentru legume al produsului;

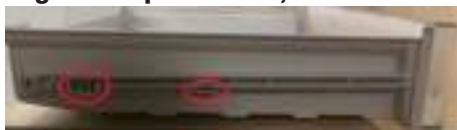


Figura 1.

Așa cum este prezentat în figură, există două opritoare în cel de-al doilea compartiment pentru legume al produsului K70560.



Figura 2.

Când este închis, al doilea compartiment pentru legume arată ca în Figura 2.



Figura 3.

Cu ușa deschisă la 90°, trageți cel de-al doilea compartiment pentru legume până la primul opritor, după cum este prezentat în Figura 3.

În cazul în care sertarul este deschis mai mult, la început deschideți ușa la cel puțin 135°. După aceea, după cum este prezentat în Figura 4, ridicați cel de-al doilea compartiment pentru legume aproximativ 5mm, astfel încât să fie trecut de primul opritor.



Figura 4.

După ridicare, trageți cel de-al doilea sertar până la al doilea opritor după cum arată Figura 5.



Figura 5.

Utilizarea produsului

5.8. Raft de uşă mobil

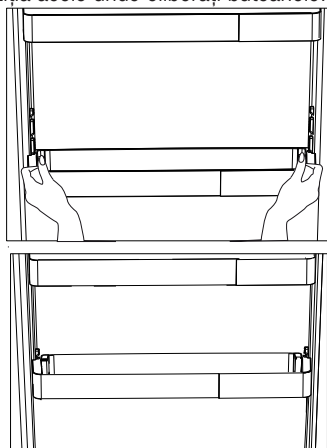
(Opțional)

Raftul de uşă mobil poate fi fixat în 3 poziții diferite.

Pentru a muta raftul, apăsați ușor butoanele de pe margini. Raftul va fi mobil.

Mutați raftul sus sau jos.

Atunci când raftul se află în poziția pe care o doriți, eliberați butoanele. Raftul va fi fixat în poziția acolo unde eliberați butoanele.

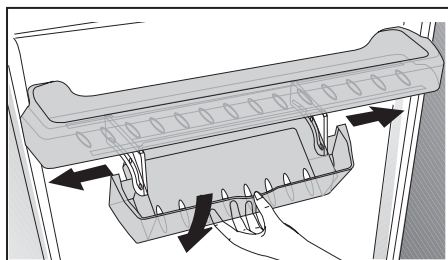


5.9. Cutii de stocare glisante

(Opțional)

Acest accesoriu este proiectat pentru a crește volumul utilizabil ale rafturilor din uşă.

Datorită abilității sale de a fi mutate lateral, acestea vă permit să plasați sticle cu gât lung, borcane sau cutii care dumneavoastră le introduceți în raftul pentru sticle de mai jos.



5.10. Modul de dezodorizare

(FreshGuard) *opțional

Modulul de dezodorizare elimină rapid mirosurile neplăcute din frigider, înainte de a pătrunde în suprafețe. Mulțumită acestui modul care este amplasat în partea superioară a compartimentului pentru alimente proaspete, mirosurile neplăcute se dizolvă în timpul trecerii active a aerului prin filtrul de miros, apoi aerul curățat este retrimis în compartimentul de alimente proaspete. În acest mod, mirosurile nedorite care pot să apară pe parcursul depozitării alimentelor în frigider sunt eliminate înainte de a pătrunde în suprafețe.

Acest lucru este realizat datorită ventilatorului, LED-ului și filtrului de miros integrate în modul. În folosirea zilnică, modulul de dezodorizare se va activa automat în mod periodic.

Pentru a menține performanța eficientă, este recomandat să aveți amplasat filtrul în modulul de dezodorizare de către furnizorul de service autorizat la fiecare 5 ani. Datorită ventilatorului integrat în modul, sunetul pe care îl veți auzi în timpul utilizării este normal. Dacă deschideți ușa compartimentului de alimente proaspete în timp ce modulul este activ, ventilatorul se va întrerupe temporar și va reporni de unde a rămas, după ce ușa este închisă din nou. În cazul unei pene de curent, modulul de dezodorizare va reporni de unde a rămas în perioada totală a operațiunii odată ce revine curentul electric.

Info: Este recomandat să depozitați alimentele aromate (precum brânza, măslinile și delicatesele) în ambalajele lor și etanșate, pentru a evita mirosurile neplăcute care pot să rezulte din amestecul acestora. În plus, se recomandă eliminarea rapidă a alimentelor stricate din frigider, pentru a preveni stricarea și a altor alimente și pentru a evita mirosurile neplăcute.

Utilizarea produsului

5.11. Controlul umidității în compartimentul de legume

(Opțional)

Cu caracteristica de control a umidității, coeficientul de umiditate a legumelor și fructelor este ținut sub control și asigură o perioadă mai lungă de prosepțime pentru alimente

Pe cât posibil, este recomandat să depozitați legume cu frunze cum ar fi salata verde și spanacul și legume asemănătoare predispuse la pierdere de umezeală nu pe rădăcinile lor ci într-o poziție orizontală în interiorul compartimentului de legume.

Atunci când amplasați legumele, amplasați legumele tari și grele în partea inferioară și cele ușoare și moi în partea superioară, ținând cont de greutatea specifică ale acestora.

Nu lăsați legumele aflate în compartimentul de legume în ambalaje. Lăsarea acestora în pungi de plastic vor cauza descompunerea legumelor într-o perioadă mai scurtă de timp. În termeni de igienă și în situații unde contactul cu alte legume nu este preferat, utilizați materiale de ambalare cum ar fi hârtia care deține o anumită porozitate.

Nu introduceți fructe care au o producție ridicată de gaz etilic cum ar fi perele, caisele, piersicile și merele în același compartiment de legume împreună cu alte legume și fructe. Emiterea gazului etilic din aceste fructe poate cauza ca celelalte fructe și legume să se maturizeze mai rapid și să se descompună într-o perioadă mai scurtă de timp.

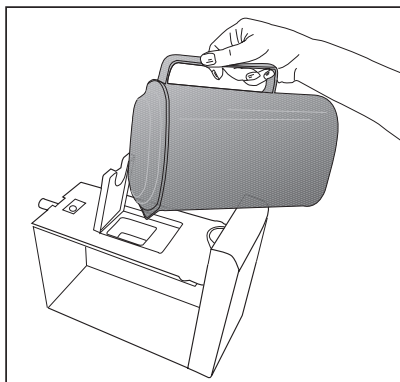
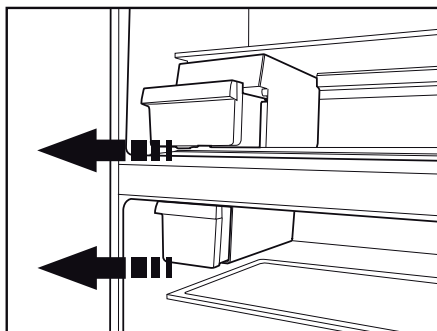
5.12. Aparat automat de gheață (Opțional)

Aparatul automat de gheață vă permite să creați gheață ușor în frigiderul dumneavoastră. Pentru a obține gheață din aparatul de gheață, scoateți rezervorul de apă din compartimentul congelatorului, umpleți-l cu apă și fixați-l înapoi. Primele cuburi de gheață vor fi pregătite în aproximativ 2 ore în sertarul aparatului de gheață localizat în compartimentul congelatorului.

După fixarea unui rezervor plin de apă, dumneavoastră puteți obține aproximativ 60-70 cuburi de gheață până când este golit complet. Dacă apa din rezervor a stat timp de 2-3 săptămâni, aceasta trebuie înlocuită.



În produse cu aparat automat de gheață, dumneavoastră veți putea auzi un sunet atunci când gheața cade. Acest sunet este normal și nu reprezintă un semn de avarie.



Utilizarea produsului

5.13. Aparatul Icematic și recipientul de depozitare a gheții

*opțional

Utilizarea aparatului Icematic

Umpleți aparatul Icematic cu apă și amplasați-l în suportul său. În aproximativ două ore, gheața va fi gata. Nu demontați aparatul Icematic din suport pentru a lua gheață.

Rotiți butoanele de pe rezervoarele de gheață în sens orar cu 90 de grade.

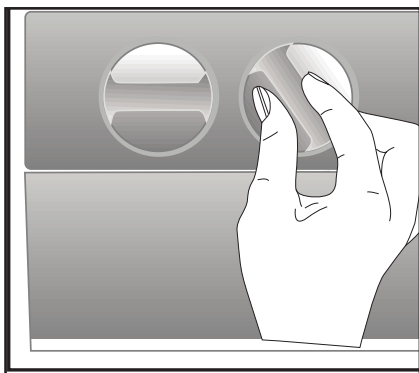
Cuburile de gheață din rezervoare vor cădea în recipientul pentru gheață de dedesubt.

Puteți scoate recipientul pentru a servi cuburile de gheață.

Dacă doriți, puteți păstra cuburile de gheață în recipient.

Recipient de depozitare a gheții

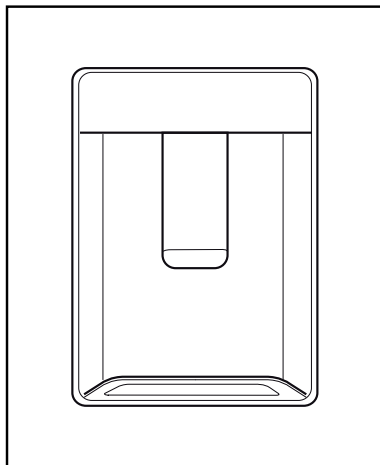
Recipientul pentru gheață este destinat doar păstrării cuburilor de gheață. Nu turnați apă în acesta. În caz contrar, se va rupe.



5.14. Dozatorul de apă

*opțional

Dozatorul de apă este o funcție foarte utilă bazată pe ideea de asigurare a accesului la apă rece fără a deschide ușa frigiderului. Nefiind necesară deschiderea frecventă a ușii, veți economisi energie.



5.15. Utilizarea dozatorului de apă

Apăsați pe brațul dozatorului de apă cu paharul. După ce eliberați brațul, dozatorul se va opri.

Atunci când utilizați dozatorul de apă, debitul maxim poate fi obținut prin acționarea completă a brațului.

Rețineți faptul că respectiva cantitate de apă dozată din dozator depinde de gradul de acționare a brațului.

Atunci când nivel de apă din paharul/recipientul dumneavoastră crește, reduceți ușor presiunea de la nivelul brațului pentru a preveni revărsarea apei. Dacă apăsați ușor pe braț, apa va curge sub formă de picături; acesta este un lucru normal și nu este o defecțiune.



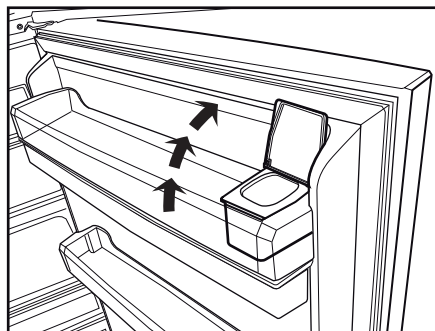
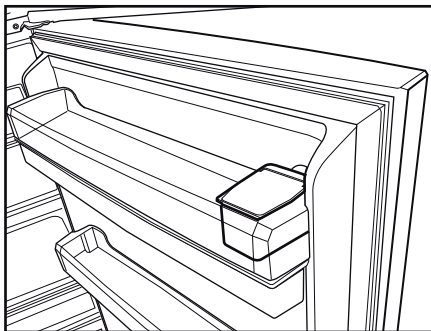
Utilizarea produsului

Umplerea rezervorului dozatorului de apă

Recipientul de umplere a rezervorului de apă se află în interiorul raftului de pe ușă. Puteți deschide capacul recipientului și îl puteți umple cu apă potabilă. Ulterior, închideți capacul.

Avertisment!

- Nu umpleți rezervorul de apă cu niciun alt lichid decât apă, precum sucuri de fructe, lapte, băuturi carbogazoase sau băuturi alcoolice care nu sunt potrivite pentru a fi utilizate într-un dozator de apă. Dozatorul de apă este deteriorat iremediabil dacă folosiți astfel de lichide. Garanția nu acoperă astfel de utilizări necorespunzătoare. Unele substanțe chimice și aditivi incluși în aceste tipuri de băuturi/lichide pot afecta rezervorul de apă și materialele din care este realizat.
- Utilizați numai apă potabilă proaspătă.
- Capacitatea rezervorului de apă este de 3 litri; nu umpleți în exces.
- Apăsăți pe brațul dozatorului de apă cu un pahar din material rigid. Dacă utilizați pahare din plastic de unică folosință, apăsați cu degetele dumneavoastră pe brațul din spatele paharului.



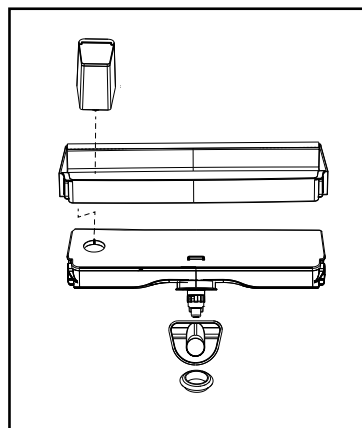
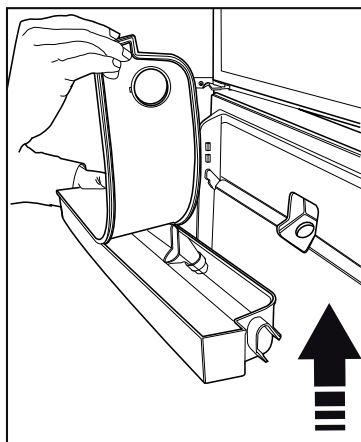
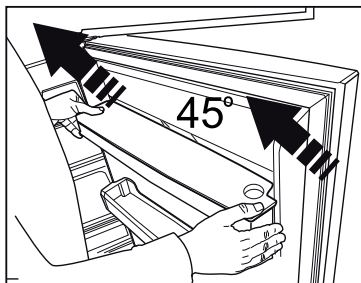
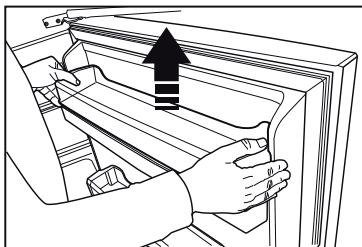
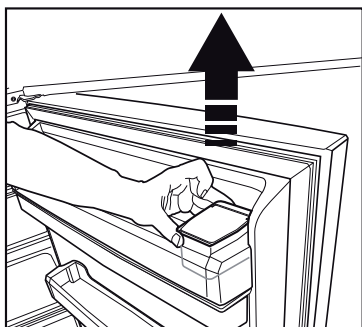
Utilizarea produsului

5.16. Curățarea rezervorului de apă

- Demontați rezervorul de umplere cu apă din raftul de pe ușă.
- Demontați raftul de pe ușă prinzându-l de ambele părți.
- Prindeți rezervorul de apă din ambele părți și demontați-l la un unghi de 45°C.
- Curățați rezervorul de apă demontându-i capacul.

Important:

Componentele rezervorului de apă și ale dozatorului de apă nu trebuie spălate în mașina de spălat vase.



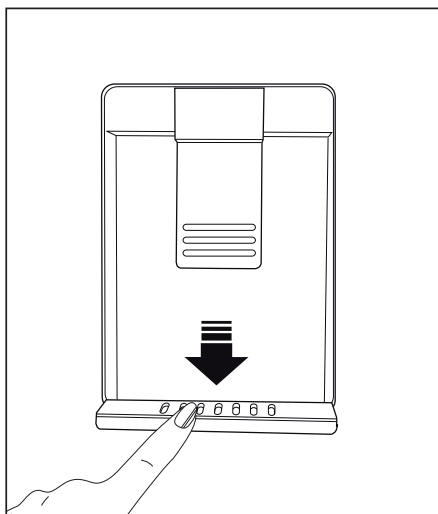
Utilizarea produsului

5.17. Tava pentru apă

Picăturile de apă care se scurg la utilizarea dozatorului de apă se acumulează în tava pentru scurgeri.

Scoateți sita din plastic conform celor indicate în figură.

Cu o lavetă curată și uscată, îndepărtați apa care s-a acumulat.



HerbBox/HerbFresh

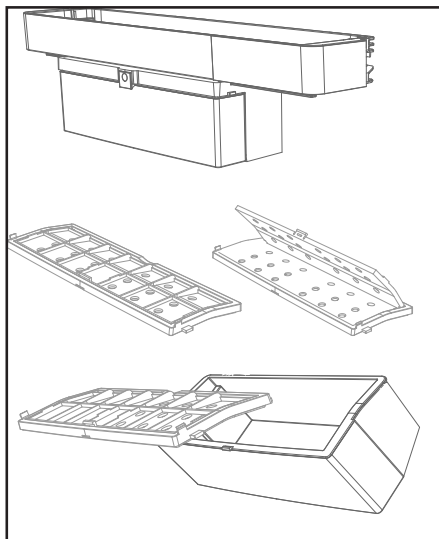
Îndepărtați containerul filmului din HerbBox/HerbFresh+

Scoateți filmul din pungă și puneți-l în container precum în imagine.

Închideți din nou containerul și înlocuiți-l în unitatea HerbBox/HerbFresh+.

Secțiunile HerbBox-HerbFresh+ sunt ideale pentru stocarea diverselor mirodenii care trebuie ținute în condiții delicate. Puteți stoca mirodeniile nedepozitate (pătrunjel, mărar etc.) în această secțiune orizontală și mențineți-le proaspete pentru o perioadă mai lungă.

Filmul trebuie schimbat odata la 6 luni.



Utilizarea produsului

5.18. Congelarea alimentelor proaspete

- Pentru menținerea calității alimentelor, alimentele plasate în compartimentul frigiderului trebuie să fie congelate cât mai repede posibil, utilizați congelarea rapidă pentru acest lucru.
- Congelarea alimentelor atunci când sunt proaspete va extinde timpul de depozitare în compartimentul frigiderului.
- Ambalați alimentele în ambalaje etanșe și sigilați-le.
- Asigurați-vă că alimentele sunt ambalate înainte de a le introduce în congelator. Utilizați compartimente congelatorului, folii de aluminiu și hârtii higrofuge, pungi din plastic sau alte materiale de ambalare în locul hârtiei tradiționale de ambalaj.



Gheața din compartimentul congelatorului se dezgheață în mod automat.

- Marcați fiecare ambalaj prin înscrisurarea datei pe ambalaj înainte de congelare. Acest lucru vă va permite să determinați prospețimea fiecărui ambalaj de fiecare dată când frigiderul este deschis. Mențineți alimentele depozitate anterior în față pentru a vă asigura că sunt utilizate primele.
- Alimentele congelate trebuie să fie utilizate imediat după decongelare și nu trebuie recongelate.
- Nu congelați simultan cantități mari de alimente.

5.19. Recomandări pentru depozitarea alimentelor congelate

Compartimentul trebuie să fie setat la cel puțin -18°C.

1. Introduceți alimentele în congelator cât de repede puteți pentru evitarea decongelării.
2. Înainte de congelare, verificați "Data de expirare" de pe ambalaj și asigurați-vă că nu este expirat.
3. Asigurați-vă că ambalajul alimentelor nu este avariat.

Setare temperatură compartiment congelator	Setare temperatură compartiment frigider	Detalii
-18°C	4°C	Aceasta este setarea normală recomandată.
-20, -22 sau -24°C	4°C	Aceste setări sunt recomandate când temperatura ambientală depășește 30°C.
Congelare rapidă	4°C	Folosiți atunci când doriți să congelați alimentele într-o perioadă scurtă de timp. Atunci când procesul se finalizează, produsul se va întoarce la setarea anterioară.
-18°C sau mai rece	2°C	Utilizați aceste setări dacă credeți că congelatorul nu este destul de rece datorită temperaturii ambientale sau deschiderii frecvente a ușii.

Utilizarea produsului

5.20. Detalii despre congelator

Conform standardelor IEC 62552, frigiderul trebuie să aibă capacitatea să congeleze o cantitate de 4,5 kg de alimente la o temperatură de -18°C sau mai mică în 24 de ore pentru fiecare 100 de litri din volumul frigiderului.

Alimentele pot fi menținute pentru perioade mari de timp la o temperatură de -18°C sau mai scăzută.

Dumneavoastră puteți menține alimentele proaspete luni de zile (în congelator la sau temperaturi de 18°C).

Pentru evitarea decongelării parțiale, alimentele care urmează a fi congelate nu trebuie să vină în contact cu alimentele deja congelate din interior.

Fierbeți legumele și filtrați apa pentru a mări timpul de congelare. După filtrarea apei, plasați alimentele în ambalaje etanșe și introduceți-le în frigider. Bananele, roșiile, salata verde, țelina, ouălele fierte, cartofii sau alte tipuri de alimente nu trebuie să fie congelate. În cazul în care acest tip de aliment se descompune, doar valorile nutriționale și calitățile gustative vor fi afectate într-un mod negativ. Un aliment descompus pune în pericol sănătatea persoanei respective.

5.21. Introducerea alimentelor

Rafturi congelator	Diverse alimente congelate, cum ar fi carne, pește, înghețată, legume etc.
Rafturi compartiment congelator	Alimente din interiorul oalelor, farfurii acoperite și cutii acoperite, ouă (în cofraje acoperite)
Rafturi ușă compartiment congelator	Alimente mici și împachetate sau băuturi
Compartiment de legume	Fructe și legume

Compartiment de alimente proaspete	Alimentele delicate (alimente pentru mic dejun, produse din carne care vor fi consumate într-o perioadă scurtă)
------------------------------------	---

5.22. Alarmă de ușă deschisă

(Opțional)

O alertă sonoră va fi auzită dacă ușa produsului rămâne deschisă cel puțin 1 minut. Alerta sonoră se va opri atunci când ușa este închisă sau un alt buton de pe afișaj (dacă este disponibil) este apăsat.

Alarma de ușă deschisă este emisă către utilizator în mod vizual și acustic. Iluminarea interioară va porni dacă alarma continuă timp de 10 minute.

5.23. Schimbarea direcției de deschidere a ușii

Dumneavoastră puteți schimba direcția de deschidere a ușii bazându-vă pe locația unde îl utilizați. Atunci când aveți nevoie de acest lucru, consultați cel mai apropiat service autorizat.

Explicația de mai sus reprezintă o afirmație generală. Dumneavoastră trebuie să verificați eticheta de avertisment localizată în interiorul ambalajului produsului în legătură cu schimbarea direcției ușii.

5.24. Bec interior

Becul interior utilizează o lampă de tip LED: Contactați service-ul autorizat pentru orice problemă în legătură cu această lampă. Lampa(ile) utilizate în acest produs nu pot fi utilizate pentru iluminat casnic. Utilizarea destinată a acestei lămpi este de a ajuta utilizatorul să introducă alimente în frigider / congelator în siguranță și confortabil.

Utilizarea produsului

5.25. Blue Light/HarvestFresh

***Este posibil să nu fie disponibil pentru toate modelele**

Pentru Blue Light,

Fructele și legumele păstrate în compartimentele pentru legume și iluminate cu lumină albastră își continuă fotosinteza prin efectul frecvenței luminii albastre și, astfel, își păstrează conținutul de vitamine.

Pentru HarvestFresh,

Fructele și legumele păstrate în compartimentele pentru legume și iluminate prin tehnologia HarvestFresh își păstrează vitaminele pentru o perioadă mai lungă datorită luminilor albastră, verde, roșie și a ciclurilor de lumină-întuneric care simulează un ciclu de zi.

Dacă deschideți ușa frigiderului în timpul perioadei de întuneric a tehnologiei HarvestFresh, frigiderul va detecta automat acest lucru și va permite luminii albastre-verzi sau a celei roșii să ilumineze mai bine compartimentul pentru confortul dvs. După ce ați închis ușa frigiderului, perioada de întuneric va continua, reprezentând timpul de noapte într-un ciclu de zi.

5.26. Cutia pentru lactate (depozitare la rece) asigură

O temperatură mai scăzută în compartimentul pentru frigider. Utilizați această cutie pentru a depozita delicatose (salam, cârnați, produse lactate etc.) care necesită o temperatură de depozitare mai scăzută sau produse din carne, pui sau pește pentru consum imediat. Nu depozitați fructele și legumele în această cutie.

Durata de viață a produsului este mărită dacă este curățat în mod regulat.



AVERTISMENT: Înainte de curățare decupați mai întâi produsul.

- Nu utilizați niciodată instrumente ascuțite sau abrazive, săpun, substanțe de curățare, detergenți sau ceară de lustruire pentru curățare.
- Dizolvați o linguriță de carbonat în jumătate de litru de apă. Înmuiați un material textil în soluție și stoarceți-o bine. Stergeți interiorul produsului cu acest material textil și uscați-l.
- Asigurați-vă că nu intră apă în carcasa lămpii și în alte componente electrice.
- Curățați ușa cu un material textil umed. Pentru scoaterea ușii și rafturilor din ușă, scoateți toate conținuturile. Scoateți rafturile din ușă prin mișcarea lor în partea superioară. După curățare, pentru montare glisați-le din partea superioară către partea inferioară.
- Nu folosiți niciodată substanțe de curățare cu clor sau apă cu clor pentru curățarea suprafețelor exterioare și a suprafețelor cromate ale produsului. Clorul provoacă coroziunea acestor suprafețe metalice.
- Nu utilizați instrumente ascuțite, abrazive, săpunuri, agenți de curățare de uz casnic, detergenți, kerosen, benzină, lac etc. pentru a preveni eliminarea și deformarea modelelor de pe partea din plastic. Pentru curățare, utilizați apă caldută și un material textil moale și apoi ștergeți-l până ce se usucă..

6.1. Evitarea mirosurilor urât mirositoare

Materialele care pot cauza miros urât nu sunt utilizate în producerea produselor noastre. Totuși, datorită condițiilor nepotrivite de depozitare a alimentelor și curățarea suprafeței interioare a aparatului cum este solicitat.

Așadar, curățați congelatorul cu carbonat dizolvat în apă după fiecare 15 zile.

- Mențineți alimentele în recipiente închise. Microorganismele care se răspândesc din recipiente deschise pot cauza mirosuri urâte.

- Nu țineți niciodată alimente care au expirat sau sunt alterate în frigider.

6.2. Protejarea suprafețelor din plastic

Curățați cu apă caldută imediat deoarece uleiul poate cauza avarierea suprafețelor atunci când este turnat pe suprafețe din plastic.

6.3. Geamuri din sticlă

Scoateți folia de protecție de pe geamuri.

Pe suprafața geamurilor este aplicat un film de protecție. Acest film de protecție minimizează acumularea petelor și vă ajută să scoateți petele posibile și murdăria ușor. Ușile care nu sunt protejate de un asemenea film pot fi supuse la aderarea persistentă a compușilor organici și anorganici bazați pe aer sau apă cum ar fi depunerea de calcar, sărurile minerale, hidrocarburi nearse, oxizi metalici și siliconați care pot cauza ușor și rapid pete și avarii materiale. Menținerea geamurilor curate devine prea dificilă în ciuda curățării regulate. Prin urmare, claritatea și transparența geamului se deteriorează. Metode de curățare puternice și corozive și compuși vor intensifica aceste defecte și accelerează procesul de deteriorare.

Produse de curățare bazate pe apă care nu sunt alcaline și corozive trebuie să fie utilizate în scopul curățării regulate.

Materialele non-alcaline și non-corozive pot fi utilizat pentru curățare pentru ca durata de viață al acestui film să fie extinsă pentru o perioadă mai mare de timp.

Geamurile sunt călite pentru a crește durabilitatea împotriva impacturilor și spargerii.

De asemenea, o peliculă de siguranță este aplicată pe suprafețele posterioare pentru o măsură de siguranță suplimentară pentru a se preveni provocarea avariilor în timpul spargerii.

*Alcaliu reprezintă o bază care formează ioni de hidroxid (OH) atunci când este dizolvată în apă.

Li (Litiu), Na (Sodiu), K (Potasiu) Rb (Rubidiu), Cs (Cesiu) și metale artificiale și radioactive Fr (Francium) sunt denumite METALE ALICALINE.

Înainte de a apela la service, citiți această listă. Puteți economisi timp și bani. Această listă include probleme frecvente care nu sunt provocate de defecte de material sau de manoperă. Este posibil ca unele funcții descrise aici să nu se aplice pentru produsul dvs.

Frigiderul nu funcționează.

- Ștecărul nu este introdus corect în priză. >>> *Introduceți ștecherul în priză.*
- Siguranța prizei la care este conectat frigiderul sau siguranța principală este arsă. >>> *Verificați siguranțele.*

Condens pe peretele lateral al compartimentului frigiderului (MULTI ZONE, COOL CONTROL și FLEXI ZONE).

- Mediu foarte rece. >>> *Nu instalați produsul în medii cu temperaturi sub -5°C.*
- Deschidere frecventă a ușii >>> *Aveți grijă să nu deschideți ușa frigiderului prea frecvent.*
- Mediu foarte umed. >>> *Nu instalați produsul în medii umede.*
- Alimentele lichide sunt păstrate în recipiente deschise. >>> *Păstrați alimentele lichide în recipiente închise.*
- Ușa frigiderului este întredeschisă. >>> *Nu lăsați ușa frigiderului deschisă perioade îndelungate de timp.*
- Termostatul este setat la o temperatură prea scăzută. >>> *Setați termostatul la o temperatură adecvată.*

Compresorul nu funcționează.

- Sistemul de protecție termică a compresorului se va activa în cazul penelor de curent sau în cazul deconectării și reconectării la priză, întrucât presiunea din sistemul de răcire nu este încă echilibrată. Frigiderul va porni după circa 6 minute. Contactați un centru de service dacă frigiderul nu pornește după această perioadă.
- Frigiderul este în modul de dezghețare. >>> *Acest mod este normal pentru un frigider cu dezghețare automată. Ciclul de dezghețare are loc periodic.*
- Frigiderul nu este conectat la priză. >>> *Asigurați-vă că ștecărul este introdus corect în priză.*
- Reglarea temperaturii nu este corectă. >>> *Selectați temperatura adecvată.*
- Pană de curent. >>> *Frigiderul va continua să funcționeze normal după ce curentul revine.*

În timpul funcționării frigiderului, zgomotul devine mai intens.

- Modul de funcționare a frigiderului se poate modifica în funcție de condițiile ambientale. Acesta este un fenomen normal și nu reprezintă o defecțiune.

Frigiderul pornește des sau funcționează perioade îndelungate de timp.

Depanare

- Este posibil ca noul frigider să fie mai mare decât cel vechi. Frigiderele mari funcționează perioade îndelungate de timp.
- Este posibil ca temperatura din încăperea să fie ridicată. >>> *De regulă, frigiderul funcționează perioade îndelungate de timp la temperaturi ridicate în încăperea.*
- Este posibil ca frigiderul să fi fost conectat recent la priză sau să fi fost umplut recent cu alimente. >>> *Dacă frigiderul a fost conectat recent la priză sau a fost umplut cu alimente, va dura mai mult până frigiderul va atinge temperatura setată. Acest lucru este normal.*
- Este posibil ca în frigider să fi fost introduse recent cantități mari de alimente calde. >>> *Nu introduceți alimente calde în frigider.*
- Este posibil ca ușile să fi fost deschise frecvent sau lăsate întredeschise mai mult timp. >>> *Aerul cald care pătrunde în frigider determină funcționarea pe perioade mai îndelungate de timp. Deschideți mai rar ușile.*
- Este posibil ca ușa congelatorului sau frigiderului să fi fost lăsată întredeschisă. >>> *Verificați dacă ușile sunt închise corect.*
- Ați selectat o temperatură foarte joasă. >>> *Selectați o temperatură mai ridicată și așteptați ca aceasta să fie atinsă.*
- Este posibil ca garnitura ușii frigiderului sau congelatorului să fie murdară, uzată, ruptă sau poziționată incorect. >>> *Curățați sau înlocuiți garnitura. Garniturile deteriorate/defecte determină funcționarea pe perioade îndelungate de timp a frigiderului pentru a se asigura temperatura corectă.*

Temperatura congelatorului este foarte joasă, iar temperatura frigiderului este adecvată.

- Ați selectat o temperatură foarte joasă a congelatorului. >>> *Selectați o temperatură mai ridicată a congelatorului și verificați din nou.*

Temperatura frigiderului este foarte joasă, iar temperatura congelatorului este adecvată.

- Ați selectat o temperatură foarte joasă a frigiderului. >>> *Selectați o temperatură mai ridicată a frigiderului și verificați din nou.*

Alimentele din sertarele frigiderului îngheață.

- Ați selectat o temperatură foarte joasă a frigiderului. >>> *Selectați o temperatură mai ridicată a congelatorului și verificați din nou.*

Temperatura din frigider sau congelator este foarte mare.

- Ați selectat o temperatură foarte mare a frigiderului. >>> *Temperatura setată pentru frigider afectează temperatura congelatorului. Modificați temperatura frigiderului sau congelatorului până când temperatura din frigider sau congelator ajunge la un nivel adecvat.*
- Este posibil ca ușile să fi fost deschise frecvent sau lăsate întredeschise mai mult timp. >>> *Deschideți mai rar ușile.*
- Este posibil ca ușa să fie întredeschisă. >>> *Închideți complet ușa.*
- Este posibil ca frigiderul să fi fost conectat recent la priză sau să fi fost umplut recent cu alimente. >>> *Acest lucru este normal. Dacă frigiderul a fost conectat recent la priză sau a fost umplut cu alimente, va dura mai mult până frigiderul va atinge temperatura setată.*
- Este posibil ca în frigider să fi fost introduse recent cantități mari de alimente calde. >>> *Nu introduceți alimente calde în frigider.*

Vibrații sau zgomot.

Depanare

- Podeaua este denivelată sau instabilă. >>> *Dacă frigiderul se clatină când este împins ușor, reglați picioarele pentru a echilibra frigiderul. De asemenea, asigurați-vă că podeaua este suficient de stabilă și poate susține frigiderul.*
- Zgomotul poate fi provocat de obiectele amplasate pe frigider. >>> *Aceste obiecte trebuie îndepărtate de pe frigider.*

Frigiderul emite zgomote asemănătoare curgerii sau pulverizării lichidelor etc.

- Funcționarea frigiderului se bazează pe circulația gazelor și lichidelor. >>> *Acesta este un fenomen normal și nu reprezintă o defecțiune.*

Frigiderul emite un zgomot similar cu suieratul vântului.

- Frigiderul este prevăzut cu un ventilator pentru răcire. Acesta este un fenomen normal și nu reprezintă o defecțiune.

Condens pe pereții interiori ai frigiderului.

- Mediile calde și umede favorizează formarea gheții și condensului. Acesta este un fenomen normal și nu reprezintă o defecțiune.
- Este posibil ca ușile să fi fost deschise frecvent sau lăsate întredeschise mai mult timp. >>> *Deschideți mai rar ușile; dacă ușa este deschisă, închideți-o.*
- Este posibil ca ușa să fie întredeschisă. >>> *Închideți complet ușa.*

Condens în exteriorul frigiderului sau între uși.

- Este posibil ca mediul să fie umed. Acest fenomen este normal în medii umede. >>> *La reducerea umidității, condensul va dispărea.*

Mirosuri neplăcute în frigider.

- Frigiderul nu este curățat periodic. >>> *Curățați periodic interiorul frigiderului folosind un burete, apă caldă și carbonată.*
- Este posibil ca mirosul să fie cauzat de anumite recipiente și ambalaje. >>> *Folosiți un recipient sau un ambalaj care nu prezintă mirosuri neplăcute.*
- Alimentele au fost puse în recipiente deschise. >>> *Păstrați alimentele în recipiente închise. Alimentele neetanșate corespunzător pot răspândi microorganisme și se pot acumula mirosuri neplăcute.*
- Aruncați toate alimentele expirate sau alterate din frigider.

Ușa nu se închide.

- Este posibil ca alimentele să împiedice închiderea ușii. >>> *Mutați alimentele care împiedică închiderea ușii.*
- Este posibil ca frigiderul să fie înclinat. >>> *Reglați picioarele de pentru a echilibra frigiderul.*
- Podeaua este denivelată sau instabilă. >>> *Asigurați-vă că podeaua este plană și suficient de stabilă pentru a putea susține frigiderul.*

Compartimentul pentru legume este blocat.

- Este posibil ca alimentele să atingă partea superioară a sertarului. >>> *Rearanjați alimentele în sertar.*



AVERTISMENT: Dacă problema persistă după ce ați urmat instrucțiunile din acest capitol, contactați distribuitorul dvs. sau un centru de service autorizat. Nu încercați să reparați produsul.

MESAJ / AVERTISMENT

Unele defecte (simple) pot fi tratate în mod adecvat de către utilizatorul final fără nicio problemă de siguranță sau utilizare nesigură, cu condiția să fie efectuate în limitele și în conformitate cu următoarele instrucțiuni (vezi secțiunea "Autoreparare").

Astfel, cu excepția cazului în care secțiunea "Autoreparare" de mai jos autorizează altă acțiune, reparațiile trebuie efectuate de reparatori profesioniști pentru a evita probele de siguranță. Un reparator profesionist are acces la instrucțiuni și la lista cu piese de rezervă pentru acest produs de la producător, potrivit metodele descrise în actele legislative care urmează Directiva 2009/125/EC.

Cu toate acestea, doar agentul de service (adică reparatorii profesioniști autorizați) pe care îl puteți contacta cu ajutorul numărului de telefon oferit în manualul de utilizare/certificatul de garanție sau dealerul dvs. autorizat poate oferi service în termenii garanției. Prin urmare, nu uitați că reparațiile efectuate de reparatori profesioniști care nu sunt autorizați de Beko) vor antrena pierderea garanției.

Autorepararea

Reparațiile pot fi făcute de utilizatorul final doar în ceea ce privește următoarele piese: mânerul ușilor, balamalele ușilor, tăvile, coșurile și garniturile ușilor (este disponibilă o listă actualizată pe support.beko.com începând cu data de 1 martie 2021).

Mai mult, pentru siguranța produsului și pentru evitarea accidentărilor, autorepararea menționată va fi efectuată urmând instrucțiunile din manualul de utilizare sau care sunt disponibile în support.beko.com. Pentru siguranța dvs., scoateți produsul din priză înainte să încercați autorepararea.

Reparațiile și încercările de reparație făcute de utilizatorii finali pentru piese care nu sunt incluse într-o astfel de listă și/sau nu urmează instrucțiunile din manualele de utilizare pentru autoreparare sau care sunt disponibile în support.beko.com, pot duce la probleme de siguranță care nu sunt atribuibile Beko, și vor anula garanția produsului.

Prin urmare, este recomandat ca utilizatorii finali să se abțină de la a încerca să efectueze reparații care ies din lista menționată cu piese de schimb, contactând în aceste cazuri reparatori profesioniști sau reparatori autorizați. Din contră, astfel de încercări efectuate de utilizatorii finali pot duce la probleme de siguranță și avarierea produsului sau iscarea unui incendiu, a unei inundații, a electrocutării și a accidentărilor grave.

Spre exemplu, dar fără a se limita la, următoarele reparații trebuie adresate către service-uri profesionale autorizate sau înregistrate: compresoare, circuite de răcire, panoul principal, placa invertor, panoul de afișaj etc.

Producătorul/vanzătorul nu răspund în niciun caz dacă utilizatorii finali nu se conformează celor de mai sus.

Disponibilitatea de piese de schimb pentru frigiderul pe care ați cumpărat-o este de 10 ani. În această perioadă, piesele de schimb originale vor fi disponibile pentru operarea adecvată a frigiderului. Durata minimă a garanției pentru frigiderul pe care l-ați achiziționat este de 24 de luni.

Перед використанням виробу прочитайте це керівництво!

Шановний покупцю!

Ми бажаємо, щоб ви отримали найкращі результати від використання придбаного виробу, ретельно виготовленого з використанням сучасних технологій і випробуваного шляхом докладної перевірки якості.





З цієї причини рекомендуємо уважно прочитати цей посібник користувача перед початком використання виробу. У разі передачі цього виробу іншій особі віддайте їй також цей посібник користувача.

Цей посібник допомагає швидко та безпечно користуватися пристроєм.

- Перед установленням та експлуатацією виробу уважно прочитайте цей посібник користувача.
- Обов'язково дотримуйтеся діючих правил техніки безпеки.
- Зберігайте посібник користувача в легкодоступному місці для його подальшого використання.
- Ознайомтеся з усіма іншими документами, наданими в комплекті з цим виробом.

Майте на увазі, що цей посібник користувача відноситься до декількох моделей виробу.

У цьому посібнику окремо зазначаються відмінності між різними моделями.

	Важлива інформація та корисні поради.
	Ризик травмування та матеріальних збитків.
	Ризик ураження електричним струмом.
	Упаковка цього виробу виготовлена з матеріалів, що переробляються відповідно до національного екологічного законодавства.

ІНФОРМАЦІЯ



ENERGY



SUPPLIER'S NAME

MODEL IDENTIFIER (*)

A

A

Інформацію про модель, що зберігається в базі технічних даних виробу, можна отримати з нижченаведеного веб-сайту за ідентифікаційним номером моделі (*), розміщеним на етикетці з маркуванням енергоефективності.

<https://eprel.ec.europa.eu/>

1 Важливі інструкції з техніки безпеки і захисту навколишнього середовища 4

- 1.1. Загальні правила техніки безпеки . . . 4
 - 1.1.1 Попередження щодо наявності вуглеводневого холодоагента 7
 - 1.1.2 Інструкції щодо виробів із дозатором для води/льоду 8
- 1.2. Цільове призначення 8
- 1.3. Правила техніки безпеки для дітей . . 9
- 1.4. Дотримання директиви ЄС щодо утилізації електричного та електронного устаткування і відходів продукції 9
- 1.5. Дотримання директиви ЄС щодо обмеження використання небезпечних речовин 9
- 1.6. Інформація щодо упаковки. 9

2 Придбаний холодильник 11

3 Установка 12

- 3.1. Правильний вибір місця встановлення 12
- 3.2. Кріплення пластикових клинів 12
- 3.3. Регулювання кронштейнів 12
- 3.4. Підключення живлення. 13

3 Установка 13

4 Підготовка 14

- 4.1. Методи енергозбереження. 14
- 4.2. Перше використання 14

5 Використання виробу 16

- 5.1. Індикаторна панель 16
- 5.2. Полиця для яєць 19
- 5.3. Ємність для льоду. 19
- 5.4. Вентилятор 19
- 5.5. Посудина для овочів 19
- 5.6. Використання другого контейнера для фруктів і овочів у холодильнику . . . 20
- 5.7. Пересувна полиця в дверцятах . . . 21
- 5.8. Висувний контейнер для зберігання продуктів 21
- 5.9. Модуль освіжувача повітря 21

- 5.10. Посудина для овочів з регульованою вологістю. 22
- 5.11. Нульова камера 22
- 5.12. Автоматичний льодогенератор . . . 22
- 5.13. Льодогенератор Icematic і контейнер для зберігання льоду. 23
- 5.14. Використання дозатора для води. . 23
- 5.15. Наповнення бака дозатора для води. 24
- 5.16. Очищення баку для води 24
- 5.17. Лоток для збору крапель 25
- 5.18. Зони HerbBox/HerbFresh 25
- 5.19. Заморожування свіжих продуктів . . 26
- 5.20. Рекомендації щодо зберігання заморожених продуктів 26
- 5.21. Докладна інформація щодо глибокого заморожування. 27
- 5.22. Розміщення продуктів 27
- 5.23. Попередження про відкриті дверцята 27
- 5.24. Зміна напрямку відкриття дверцят . 27
- 5.25. Внутрішнє освітлення 27
- 5.26. Синє світло/HarvestFresh 28
- 5.27. У відсіку для зберігання молочних продуктів (зі спеціальним режимом охолодження) 28

6 Чистення та догляд 29

- 6.1. Як уникнути неприємних запахів . . . 29
- 6.2. Захист пластикових поверхонь 29
- 6.3. Очищення внутрішньої поверхні . . . 30
- 6.4. Зовнішні поверхні з нержавіючої сталі 30
- 6.5. Очищення виробів із скляними дверцятами. 30





7 Пошук та усунення несправностей31

1 Важливі інструкції з техніки безпеки і захисту

навколишнього середовища

Цей розділ містить інформацію з техніки безпеки, що допоможе вам уникнути ризику травмування або пошкодження майна. Недотримання цих інструкцій призведе до анулювання гарантії.

Цільове призначення

	ПОПЕРЕДЖЕННЯ Не закривайте доступ повітря до вентиляційних отворів всередині корпусу пристрою або всередині вбудованого конструктивного елемента.
	ПОПЕРЕДЖЕННЯ Не використовуйте механічні пристрої або інші засоби для прискорення процесу розморожування (крім рекомендованих виробником).
	ПОПЕРЕДЖЕННЯ Не пошкоджуйте холодильний контур.
	ПОПЕРЕДЖЕННЯ Не застосовуйте електричні прилади всередині камер для зберігання продуктів харчування пристрою, якщо вони не належать до типу, рекомендованого виробником.

Цей пристрій призначений для побутового й аналогічного використання, наприклад:

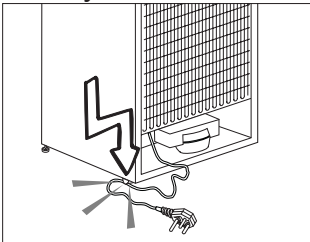
- у кухонних куточках магазинів, офісів та інших робочих середовищ;
- у житлових будинках на фермах, а також клієнтами в готелях, мотелях та інших житлових приміщеннях;
- у місцях ночівлі зі сніданком;
- у місцях організації харчування і на подібних підприємствах, не зв'язаних з роздрібною торгівлею.

1.1. Загальні правила техніки безпеки

- Особам з фізичними, сенсорними або психічними порушеннями, а також особам, яким не вистачає досвіду та інформації, та дітям не можна підходити до виробу, залазити всередину або гратися з виробом.
- Недотримання цих інструкцій та неконтрольоване використання виробу призведе до небезпечних результатів!
- Якщо під час використання виникла несправність, від'єднайте виріб від мережі.
- Якщо виріб працює несправно, його не можна експлуатувати до закінчення ремонту, який виконується уповноваженим постачальником послуг.
Ризик ураження електричним

Інструкції з техніки безпеки та охорони довкілля

- струмом!
- Виріб необхідно підключити до заземленої розетки, захищеної запобіжником з параметрами, що відповідають значенням на табличці. Для виконання заземлення виробу запросіть кваліфікованого електрика. Наша компанія не несе відповідальності за збитки, спричинені в тому разі, якщо у виробі не використовується заземлена розетка відповідно до місцевих норм.
- Якщо виріб не використовується, від'єднайте його від мережі.
- Забороняється мити виріб шляхом розпилення води або поливання водою! Ризик ураження електричним струмом!
- Забороняється торкатися штепсельної вилки вологими руками!
- Забороняється від'єднувати виріб від мережі, потягнувши за шнур живлення. Під час витягування вилки з розетки обов'язково притримуйте розетку.
- Не вмикайте холодильник у разі, якщо штепсельна розетка погано закріплена.
- Забороняється підключати холодильник до енергозберігальних пристроїв. Такі системи є шкідливими для виробу.
- На період установки, обслуговування, очищення та ремонту необхідно від'єднати виріб від мережі.
- Для виконання робіт із монтажу виробу та його електричних з'єднань обов'язково користуйтеся послугами **уповноваженого постачальника послуг**. Виробник не може нести відповідальність за шкоду, заподіяну сторонніми особами.
- Не їжте вафельні ріжки з морозивом і не використовуйте кубики льоду відразу після виймання з морозильної камери! Це може спричинити обмороження ротової порожнини!
- Не торкайтеся заморожених продуктів мокрими руками! Вони можуть приклеїтися до ваших рук!
- Не кладіть бутильовані або консервовані рідкі напої у морозильну камеру. Вони можуть вибухнути!
- Забороняється використовувати пар або пароочишувачі для очищення або



Інструкції з техніки безпеки та охорони довкілля

- розморожування холодильника. Пара контактує із зонами холодильника під напругою, що спричиняє коротке замикання або ураження електричним струмом!
- Не використовуйте механічні пристрої або інші засоби для прискорення процесу розморожування (крім рекомендованих виробником).
 - Забороняється використовувати частини холодильника, як наприклад: дверцята та висувний ящик, як засіб для опори або сходи. Це може призвести до перекидання виробу або пошкодження його частин.
 - Запобігайте пошкодження частин з циркулюючим холодоагентом, спричиненого інструментами для свердління або різання. Холодоагент, який може вибухнути в разі проколювання газових каналів випарника, подовжень трубопроводу або покриттів поверхні, викликає подразнення шкіри та травми очей.
 - Не закривайте і не перекривайте будь-якими предметами вентиляційні отвори у вашому холодильнику.
 - Розміщуйте пляшки з міцними напоями щільно закритими та у вертикальному положенні.
 - Не використовуйте газоподібні розпилювачі біля виробу, оскільки це спричиняє ризик пожежі або вибуху!
 - За жодних обставин у пристрої не можна зберігати легкозаймисту продукцію або вироби, що містять легкозаймисті гази (наприклад аерозолі), а також вибухонебезпечні матеріали.
 - Не ставте на виріб посудини, наповнені рідиною. Попадання бризок води на частини, які знаходяться під напругою, може призвести до ураження електричним струмом і викликати ризик загоряння.
 - Не зберігайте в холодильнику предмети, які потребують точного регулювання температури (наприклад: вакцини, термочутливі ліки, матеріали для наукових досліджень тощо).
 - Якщо ви плануєте не використовувати виріб тривалий період часу,

Інструкції з техніки безпеки та охорони довкілля

- від'єднайте його від мережі та вийміть з нього продукти.
- Якщо в холодильнику використовується синє світло, не дивіться на це світло через оптичні прилади.
- З точки зору електробезпеки є ризикованим піддавати виріб впливу дощу, снігу, сонця або вітру.
- Якщо виріб з механічним керуванням (з терморегулятором) від'єднано від мережі, перед його під'єднанням необхідно зачекати 5 хвилин.
- Не перевантажуйте холодильник. Після відкриття дверцят предмети, що зберігаються в холодильнику, можуть впасти і спричинити травмування або матеріальні збитки. Подібні проблеми можуть виникнути в разі, якщо предмет розміщено на виробі.
- Якщо виріб оснащений ручкою на дверцятах, не тягніть за цю ручку під час переміщення виробу. Кріплення ручки може розхитатися.
- Будьте обережними, щоб ваша рука або будь-яка інша частина тіла не застрягла в рухомих

частинах холодильника.

- Не кладіть руку або будь-які інші сторонні матеріали в льодогенератор під час його роботи.

1.1.1 Попередження щодо наявності вуглеводневого холодоагента

- Якщо система охолодження вашого виробу містить холодоагент R600a (ізобутан), майте на увазі нижченаведене.




Цей газ є легкозаймистим.

Тому зверніть увагу на те, щоб не пошкодити систему охолодження або трубопроводи під час використання та транспортування виробу. Якщо ці компоненти пошкоджено, тримайте виріб подалі від потенційних джерел пожежі, які можуть призвести до його загоряння, а також провітріть приміщення, де розміщується виріб.



Якщо виріб пошкоджено та ви спостерігаєте витік газу, тримайтеся подалі від джерела витоку. Газ може спричинити обмороження в разі попадання на шкіру. (Вищенаведене відноситься також до холодоагента R134).


Інструкції з техніки безпеки та охорони довкілля

	Не звертайте увагу на це попередження, якщо система охолодження вашого виробу містить холодоагент R134a.
	Тип газу, що використовується у виробі, вказано на типовій табличці, розміщеній на лівій панелі всередині холодильника.
	ПОПЕРЕДЖЕННЯ Забороняється кидати виріб у вогонь для утилізації.

1.1.2 Інструкції щодо виробів із дозатором для води/льоду

- Необхідно забезпечити, щоб тиск у впускнім трубопроводі холодної води не перевищував 90 фунт/кв. дюйм (620 кПа). Якщо тиск води перевищує значення 80 фунт/кв. дюйм (550 кПа), у мережі водопостачання необхідно встановити клапан обмеження тиску. Якщо ви не знаєте, як перевірити тиск води у своїй мережі водопостачання, зверніться за допомогою до професійного сантехніка.
- Існує ризик ударного впливу тиску води в місті підключення,

- тому обов'язково використовуйте обладнання для захисту підключення від цього впливу. Якщо ви не впевнені, чи існує ударний вплив тиску води в місті підключення, проконсультуйтеся з професійними сантехніками.
- Не підключайте холодильник до впускного трубопроводу гарячої води.
 - Дозволяється використовувати тільки водопровідну воду.
 - Вживайте необхідних заходів, щоб захистити себе від ризику замерзання шлангів. Необхідно забезпечити, щоб робочі температур води підтримувалися в діапазоні 0,6–38 °С включно.

	ПОПЕРЕДЖЕННЯ Забороняється підключати виріб до мережі холодного водопостачання з тиском 550 кПа (80 фунт/кв. дюйм) або вище.
---	--

1.2. Цільове призначення

- Цей виріб призначений тільки для домашнього використання. Він не підходить для комерційного використання і повинен

Інструкції з техніки безпеки та охорони довкілля

застосовуватися тільки відповідно до свого цільового призначення.

- Він призначений тільки для зберігання продуктів харчування.
- Виробник не несе відповідальності за пошкодження внаслідок неправильного використання або транспортування.
- Покупець забезпечується оригінальними запчастинами протягом 10 років з моменту придбання товару.

1.3. Правила техніки безпеки для дітей

- Якщо на дверцятах виробу є замок, ключ слід тримати в недоступному для дітей місці.
- Не дозволяйте дітям гратися з цим виробом.

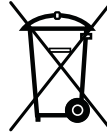
НЕБЕЗПЕКА

Перш ніж утилізувати старий холодильник або морозилку, зверніть увагу на нижченаведені попередження.

- Є вірогідність, що діти замкнуться всередині.
- Зніміть дверцята.
- Залиште полки, щоб діти не мали можливості легко потрапити всередину виробу.



1.4. Дотримання директиви ЄС щодо утилізації електричного та електронного устаткування і відходів продукції



Цей виріб відповідає вимогам директиви ЄС щодо утилізації електричного та електронного устаткування (2012/19/EU). Це виріб має класифікаційний знак для відходів електричного та електронного обладнання (WEEE). Цей виріб виготовлено з використанням високоякісних частин і матеріалів, які можуть використовуватися повторно і придатні для вторинної переробки. Тому не викидайте використаний виріб після закінчення його терміну служби в контейнери для звичайних побутових та інших відходів. Відвезіть його до центру збору електричного та електронного обладнання для подальшої утилізації. Зверніться до місцевих органів влади, щоб дізнатись про розташування таких центрів збору.

1.5. Дотримання директиви ЄС щодо обмеження використання небезпечних речовин

Придбаний пристрій відповідає вимогам директиви ЄС щодо обмеження використання небезпечних речовин (2011/65/EU). Він не містить зазначених у директиві шкідливих або заборонених матеріалів.

1.6. Інформація щодо упаковки

- Упаковка виробу виготовлена з матеріалів, що переробляються відповідно до національного екологічного законодавства. Не викидайте пакувальні матеріали разом із звичайними побутовими або іншими відходами. Відвезіть ці матеріали в місце утилізації, призначене місцевою владою.

Інструкції з техніки безпеки та охорони довкілля

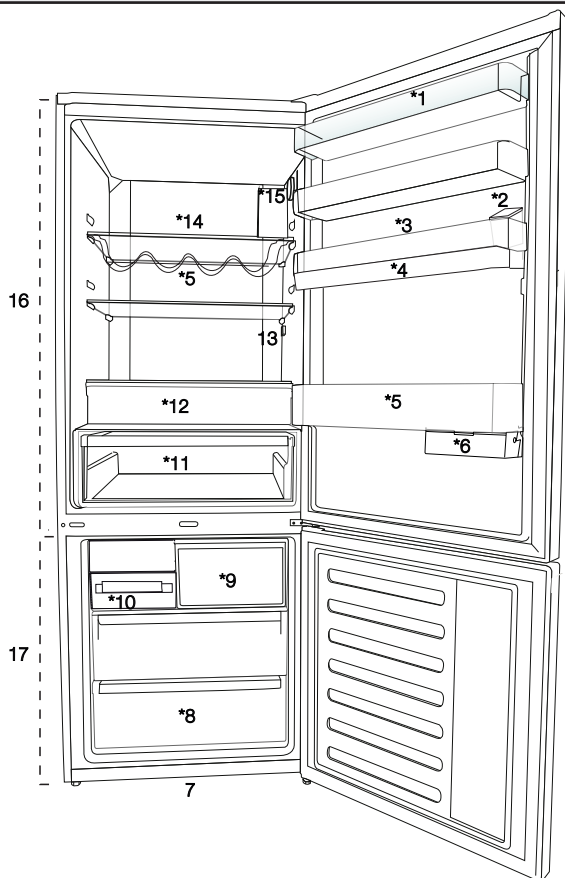
НЕБЕЗПЕКА

Небезпека пожежі та вибуху

- У цьому виробі використовується легкозаймистий холодоагент.
- Не використовуйте механічні пристрої для розморожування холодильника.
- Не використовуйте хімічні речовини для очищення.
- Не допускайте пошкодження цілісності трубопроводу холодильного агента.
- Якщо цілісність трубопроводу холодоагента пошкоджено, до його ремонту допускається тільки ліцензований сервісний персонал.
- Перед очищенням виробу зверніться до посібника з ремонту або до посібника користувача. Необхідно дотримуватися усіх інструкцій з техніки безпеки.
- Утилізуйте виріб відповідно до регіональних або місцевих норм.



2 Придбаний холодильник



1. Полиця охолоджувальної камери в дверцятах
2. Бак для наповнення дозатора для води
3. Полиця для яєць
4. Резервуар дозатора для води
5. Полиця для зберігання пляшок
6. Висувний контейнер для зберігання продуктів
7. Регульовані ніжки
8. Камера глибокого заморожування
9. Камера швидкого заморожування
10. Лоток для кубиків льоду та запас льоду, що наморозується
11. Посудина для овочів
12. У відсіку для зберігання молочних продуктів (зі спеціальним режимом охолодження)
13. Внутрішнє освітлення
14. Скляна полиця охолоджувальної камери
15. Кнопка налаштування температури
16. Охолоджувальна камера
17. Морозильна камера




*** Необов'язкова наявність у всіх моделях**



***додатково:** Рисунки, наведені в цьому керівництві, надані як приклади зображень і можуть повністю не співпадати з виглядом придбаного виробу. Якщо ваш виріб не включає відповідних деталей, наведена інформація відноситься до інших моделей.

3.1. Правильний вибір місця встановлення

Для встановлення виробу зверніться до авторизованої сервісної служби. Щоб підготуватися до встановлення виробу, ознайомтеся з інструкцією, наведеною в керівництві користувача, і переконайтеся, що електричні та водопровідні комунікації відповідають наведеним вимогам. У разі сумнівів викличте електрика і водопровідника, щоб відповідним чином влаштувати комунікації.

	ПОПЕРЕДЖЕННЯ Виробник не несе жодної відповідальності за будь-які збитки, заподіяні в разі, якщо роботи були проведені не уповноваженими особами.
	ПОПЕРЕДЖЕННЯ Під час встановлення шнур живлення виробу необхідно від'єднати від мережі. Невиконання цієї вимоги може привести до смерті або серйозних травм!
	ПОПЕРЕДЖЕННЯ Якщо дверний проліт занадто вузький для виробу, зніміть дверцята і спробуйте пронести виріб боком; якщо це не зрацює, зверніться до авторизованої сервісної служби.

- Щоб уникнути вібрації, встановіть виріб на рівну поверхню.
- Помістіть виріб на відстані щонайменше 30 см від нагрівача, плити і аналогічних джерел тепла, і щонайменше 5 см від електричної печі.
- Не піддавайте пристрій дії прямих сонячних променів і не тримайте його у вологому середовищі.
- Для ефективного функціонування виробу необхідно забезпечити достатню циркуляцію повітря.
- При розміщенні виробу в ніші не забудьте залишити між ним і стелею та стінами відстань принаймні 5 см.
- Не встановлюйте пристрій в приміщеннях з температурою нижче -5°C.

- Для ефективного функціонування придбаного виробу необхідно забезпечити достатню циркуляцію повітря. У разі розміщення виробу в ніші не забудьте залишити відстань принаймні 5 см між ним і стелею, задньою стіною та боковими стінами.
- У разі розміщення виробу в ніші не забудьте залишити відстань принаймні 5 см між ним і стелею, задньою стіною та боковими стінами. Проконтролюйте, щоб на задній стінці на своєму відповідному місці знаходився компонент для дотримання зазору (якщо він постачається з виробом). Якщо компонента немає в наявності, або його загублено або він впав, розташуйте виріб так, щоб між його задньою поверхнею та стіною приміщення залишався зазор принаймні 5 см. Зазор з боку задньої поверхні є важливим для ефективною роботи виробу.

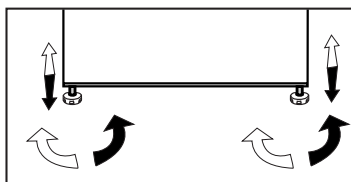
3.2. Кріплення пластикових клинів

Для забезпечення достатнього простору для циркуляції повітря між виробом і стіною використовуйте пластикові клини, що поставляються з цим виробом.




1. Щоб прикріпити клини, зніміть гвинти з виробу і використайте гвинти, що поставляються з клинами.
2. Прикріпіть 2 пластикові клини на вентиляційній кришці, як показано на рисунку.

3.3. Регулювання кронштейнів


Якщо продукт знаходиться не в збалансованому положенні, відрегулюйте передні регульовані кронштейни, обертаючи їх вправо або вліво.



3.4. Підключення живлення

	ПОПЕРЕДЖЕННЯ Не використовуйте для підключення живлення подовжувач або блок з багатьма розетками.
	ПОПЕРЕДЖЕННЯ Пошкоджений шнур живлення дозволяється замінити тільки фахівцям авторизованої сервісної служби.
	При розміщенні двох холодильників поруч слід залишити між двома апаратами відстань щонайменше 4 см.

- Наша компанія не несе відповідальності за будь-які збитки в разі використання виробу без заземлення та підключення живлення відповідно до національних правил.
- Після встановлення необхідно забезпечити легкий доступ до шнура живлення.
- Не використовуйте групові штепсельні з'єднання між настінною розеткою і холодильником з подовжувачем або без нього.

	Попередження щодо гарячої поверхні! Для забезпечення вдосконаленої системи охолодження бічні стінки вашого виробу обладнані трубопроводом холодоагента. Через ці зони може протікати гарячий холодоагент, внаслідок чого бічні стінки мають гарячі поверхні. Це нормальний режим роботи, тому технічне обслуговування не потребується. Будьте уважними, якщо торкаєтесь цих зон.
---	--

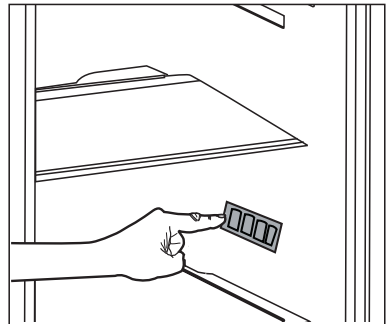
4.1. Методи енергозбереження



Підключення виробу до систем енергозбереження є шкідливим, оскільки це може викликати пошкодження виробу.

- Не тримайте дверцята холодильника відкритими протягом довгого часу.
- Не ставте в холодильник гарячі продукти або напої.
- Не перевантажуйте холодильник; блокування внутрішнього повітряного потоку знижує ефективність охолодження.
- Щоб забезпечити можливість зберігання максимального об'єму продуктів в охолоджувальній камері холодильника, необхідно витягти верхні ящики і розмістити продукти на скляній полиці. Гарантований рівень енергоспоживання холодильника забезпечується при вийманні охолоджувальної камери, форми для льоду і верхніх ящиків і, таким чином, звільненні максимального простору для зберігання продуктів. Настійно рекомендується використовувати нижній ящик для зберігання продуктів. Для забезпечення оптимального рівня енергоспоживання необхідно включити режим енергозбереження.
- Не зберігайте продукти перед вентилятором камери охолодження. При розміщенні продуктів необхідно залишити відстань не менше 3см перед захисним проводом вентилятора.
- В залежності від характеристик продуктів при розморожуванні заморожених продуктів в охолоджувальній камері забезпечується енергозбереження і збереження якості продуктів.
- Для забезпечення економії енергії і найкращих умов зберігання продуктів використовуйте ящики охолоджувальної камери.
- Слід забезпечити, щоб пакети з продуктами не торкалися датчика температури, розташованого в охолоджувальній камері. У разі, якщо вони торкаються датчика, рівень споживання енергії пристроєм може зрости.

- Забезпечте відсутність контакту продуктів з температурним датчиком охолоджувальної камери як вказано нижче.
- У разі можливості по-різному розмістити скляні полиці, необхідно дотримуватися такого правила: не можна перекривати вентиляційні отвори на задній стінці, а бажано, щоб вентиляційні отвори залишалися під скляною полицею. Таке взаємне розташування сприяє поліпшенню розподілу повітря та підвищенню енергоефективності.



4.2. Перше використання

Перед використанням холодильника забезпечте, щоб були виконані всі необхідні підготовчі операції згідно інструкціям, наведеним в розділах «Техніка безпеки та охорона довкілля» і «Встановлення».

- Включіть виріб без продуктів на 6 годин і не відкривайте дверцята без крайньої необхідності.



Під час роботи компресора буде чути звук. В нормальному режимі, якщо компресор не працює, є чути звук, завдяки наявності стиснутих рідин і газів в системі охолодження.



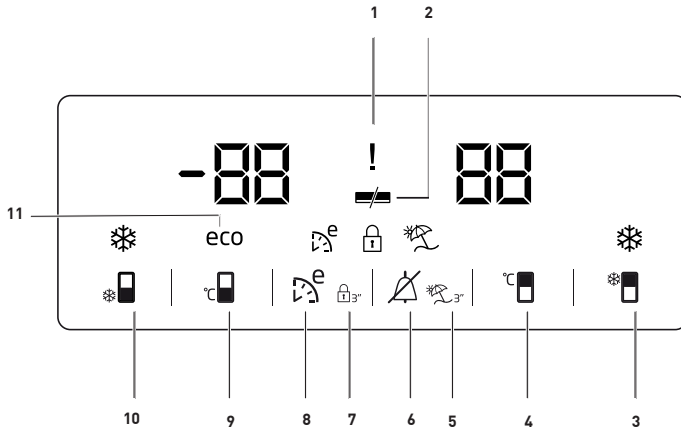
Передні кромки виробу можуть нагріватися. Це нормальне явище. Нагрівання таких зон призначено для запобігання конденсації.



У деяких моделях індикаторна панель автоматично вимикається через 5 хвилин після закриття дверцят. Вона включається знову при відкритті дверцят або натисканні будь-якої кнопки.

5.1. Індикаторна панель

Індикаторна панель дозволяє встановлювати температуру і керувати іншими функціями виробу, не відкриваючи дверцят. Для налаштування параметрів натискайте написи на відповідних кнопках.



1. Попередження про високу температуру/ несправність

Цей індикатор (🔥) горить у разі необхідності сигналізації про перегрів або несправність. Якщо температура в морозильній камері досягає критичного рівня, встановленого для заморожених продуктів, цей індикатор і індикатор температури по черзі відображають найвище значення температури з одиницею виміру температури, досягнуте в морозильній камері. Після перевірки продуктів у морозильній камері попереджувальний сигнал скидається шляхом натискання кнопки «Вимкнення сигналу попередження».

Цей індикатор (🔥) горить також у разі, якщо виникає несправність датчика. Коли цей індикатор горить, на індикаторі температури по черзі відображаються літера «E» та цифри, як наприклад: «1,2,3...».

Ці цифри, що відображаються на дисплеї, використовуються персоналом сервісної компанії для ідентифікації помилки.

2. Режим енергозбереження (дисплей вимкнено)

У період, коли дверцята виробу не відкриваються та не закриваються, автоматично вмикається функція енергозбереження і загоряється піктограма «Енергозбереження». (🔌)

Після ввімкнення функції енергозбереження вмикаються всі інші піктограми на дисплеї. У період, коли функцію енергозбереження ввімкнено, у разі натискання будь-якої кнопки або відкриття дверцят функція енергозбереження вмикається і відображення сигналів індикації повертається до нормального режиму.

Функція енергозбереження є активною функцією за замовчуванням і її неможливо скасувати.

* Необов'язкова наявність у всіх моделях



***Додатково:** Відомості, наведені в цьому керівництві, є орієнтовними і можуть не повністю співпадати з характеристиками придбаного виробу. Якщо ваш виріб не включає відповідних деталей, наведена інформація відноситься до інших моделей.

Використання виробу

3. Функція швидкого охолодження

Натисніть і відпустіть кнопку (❄️), щоб увімкнути функцію швидкого охолодження.

Загориться індикатор швидкого охолодження (❄️), а температура в охолоджувальній камері встановиться на рівні 1 °C.

Щоб скасувати функцію швидкого охолодження, знову натисніть і відпустіть кнопку (❄️). Індикатор режиму швидкого охолодження згасне і виріб перейде у звичайний режим роботи.



Якщо функцію швидкого охолодження не скасовано, її буде автоматично скасовано через 1 годину.



Цей режим не вмикається автоматично після відновлення енергопостачання в разі його відключення.

4. Кнопка налаштування температури охолоджувальної камери

Якщо натиснута кнопка (°C), можна встановлювати наступні значення температури охолоджувальної камери: 8, 7, 6, 5, 4, 3, 2, 1, 8..., в зазначеному порядку. Натисніть цю кнопку, щоб встановити необхідне значення температури всередині охолоджувальної камери.

5. Функція «Відпустка»

Щоб увімкнути функцію «Відпустка», натисніть і утримуйте протягом 3 секунд кнопку 6 «Вимкнення сигналу попередження». Якщо ввімкнено режим «Відпустка», горить індикатор (⚠️), на індикаторі температури охолоджувальної камери відображається знак «- -» і режим охолодження в охолоджувальній камері вимкнено. Цей режим не підходить для зберігання продуктів в охолоджувальній камері. У морозильній камері зберігається режим охолодження продуктів відповідно до встановленої для них температури.

Щоб скасувати функцію «Відпустка», натисніть і утримуйте протягом 3 секунд кнопку 6 «Вимкнення сигналу попередження».

6. Кнопка «Вимкнення сигналу попередження»

Сигнал попередження про високу температуру вимикається натисканням кнопки «Вимкнення сигналу попередження» (⚠️) після перевірки стану продуктів у морозильній камері.

7. Блокування кнопок

Щоб увімкнути функцію блокування кнопок, натисніть і утримуйте протягом 3 секунд кнопку 8 економічного режиму «Eco-fuzzy». Після увімкнення функції блокування кнопок горить індикатор (🔒) і кнопки блокуються. Щоб вимкнути блокування кнопок, натисніть і утримуйте протягом 3 секунд кнопку 8 режиму «Eco-fuzzy», після чого індикатор (🔒) вимикається та кнопки розблоковуються.

Якщо ви бажаєте уникнути зміни температурних налаштувань холодильника, натисніть

і утримуйте протягом 3 секунд кнопку 8 режиму «Eco-fuzzy».

8. Режим «Eco-fuzzy»

Щоб увімкнути режим «Eco-fuzzy», натисніть і відпустіть кнопку «Eco-fuzzy». Після увімкнення цього режиму


загоряється індикатор економічного споживання енергії (🌱). Морозильна камера починає працювати в економічному режимі через 6 годин. Щоб вимкнути режим «Eco-fuzzy», натисніть і відпустіть кнопку «Eco-fuzzy».


9. Кнопка налаштування температури морозильної камери

Натисканням цієї кнопки можна встановлювати такі значення температури у морозильній камері: -18, -19, -20, -21, -22, -23, -24, -18..., в зазначеному порядку. Щоб встановити температуру в морозильній камері на бажаний рівень, натисніть кнопку (°C).

Використання виробу

10. Кнопка режиму швидкого заморожування/ перемикач увімкн. і вимкн. функції вироблення льоду


Щоб увімкнути або вимкнути режим швидкого заморожування, натисніть і відпустіть цю кнопку ().


Після увімкнення цього режиму загоряється індикатор швидкого заморожування ().

На дисплеї відображається значення температури в морозильній камері, що становить -27.

Камера заморожування охолоджується до більш низької температури, ніж установлений рівень температури.

Якщо вам потрібно заморозити велику кількість свіжих продуктів, натисніть кнопку режиму швидкого заморожування перед тим, як покласти продукти до морозильної камери.

Щоб зупинити процес вироблення льоду льодогенератором, натисніть і утримуйте кнопку швидкого заморожування 11 протягом 3 секунд, після чого загориться індикатор (), а вироблення льоду припиниться після того, як ви зсиплете лід, вироблений у льодогенераторі.

Щоб увімкнути режим вироблення льоду льодогенератором, натисніть і утримуйте протягом 3 секунд кнопку швидкого заморожування 11, після чого індикатор () вимкнеться і льодогенератор знову почне виробляти лід.



Режим швидкого заморожування використовується в разі, якщо ви бажаєте швидко заморозити продукти, розміщені в морозильній камері. Якщо треба заморозити велику кількість свіжих продуктів, увімкніть цей режим перед тим, як покласти продукти в холодильник.




Якщо режим швидкого заморожування не скасовано, він автоматично вмикається через 1 годину.



Цей режим не вмикається автоматично після відновлення енергопостачання в разі його відключення.

11. Індикатор економічного використання

Вказує на те, що вибір працює в енергоефективному режимі. Якщо рівень температури в морозильній камері встановлено в значення -18 або, якщо енергоефективний режим забезпечується за допомогою функції «Eco Fuzzy», горить цей індикатор ().



Після вибору функції швидкого охолодження та швидкого заморожування індикатор економічного використання згасне.

Використання виробу

5.2. Полиця для яєць

За вашим вибором утримувач для яєць можна розмістити в дверцятах або на решітчатій підставці. Якщо ви вирішили розмістити його на решітчатій підставці, для підтримання більш низької температури зберігання рекомендується вибрати нижні полиці.

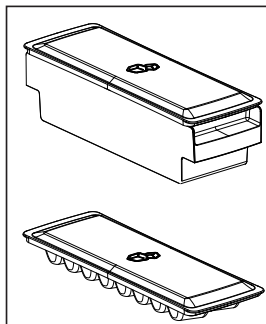


Не ставте утримувач для яєць до морозильної камери.

5.3. Ємність для льоду

*додатково

- Витягніть посудину для льоду з морозильної камери.
- Заповніть ємність для льоду водою.
- Поставте посудину для льоду до морозильної камери.
- Лід буде готовий приблизно через дві години. Витягніть посудину для льоду з морозильної камери і злегка нахиліть її над посудиною, яку збираєтеся наповнювати. Лід легко зсиплеться до сервірувальної посудини.

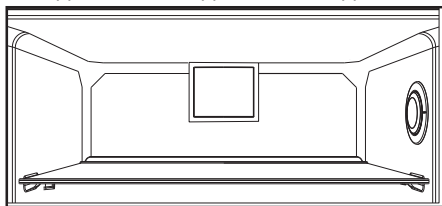


5.4. Вентилятор

Вентилятор призначений для однорідного розповсюдження циркулюючого холодного повітря всередині холодильника. Час роботи вентилятора може змінюватися залежно від конкретних характеристик придбаного виробу.

У той час, як в деяких моделях вентилятор включається тільки разом із компресором, в інших – час його включен-

ня визначається системою управління на підставі необхідності охолодження.



5.5. Посудина для овочів

*додатково

Посудина для овочів, яка використовується у виробі, призначена для утримання овочів свіжими шляхом зберігання в них вмісту вологості. З цією метою посилюється загальна циркуляція холодного повітря в посудині для овочів.

Використання виробу

5.6. Використання другого контейнера для фруктів і овочів у холодильнику



Рис. 1.

Як показано на рисунку, у другому контейнері для фруктів і овочів у моделі K70560 є 2 стопори.



Рис. 2.

Другий контейнер для фруктів і овочів у закритому стані виглядає так, як на рис. 2.



Рис. 3.

Відчиніть дверцята на 90 градусів, а потім підтягніть другий контейнер для фруктів і овочів до першого стопора, як показано на рис. 3.

У випадку, якщо висувний ящик висунутий на більшу відстань, перш за все відчиніть дверцята хоча би на 135 градусів. Після цього, як відображено на рис. 4, підніміть другий контейнер для фруктів і овочів приблизно на 5 мм так, щоб він не блокувався першим стопором.



Рис. 4.

Після підняття підтягніть другий висувний ящик до другого стопора, як показано на рис. 5.



Рис. 5.

Використання виробу

5.7. Пересувна полиця в дверцятах

*додатково

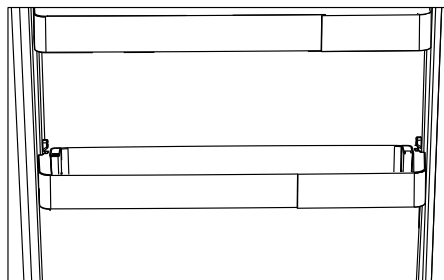
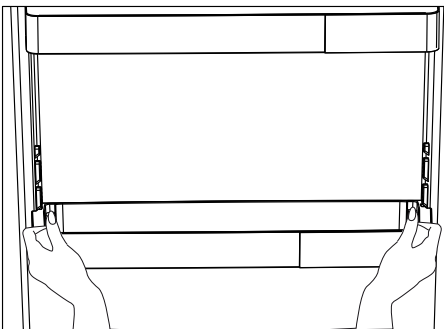
Пересувну полицю в дверцятах можна зафіксувати в 3 різних положеннях.

Для переміщення полиці рівномірно натискайте кнопки на боковій поверхні.

Полиця буде рухатися.

Полицю можна переміщувати вгору або вниз.

Коли полиця опиниться в потрібному положенні, відпустіть кнопки. Полиця кожного разу буде закріплюватися в тому положенні, де ви відпустили кнопки.

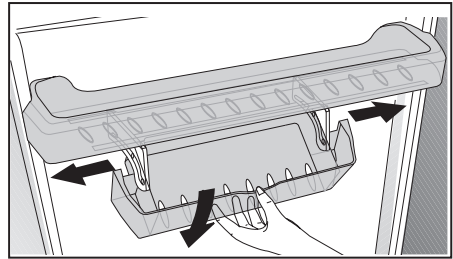


5.8. Висувний контейнер для зберігання продуктів

*додатково

Цей допоміжний компонент призначений для збільшення корисного об'єму полиць в дверцятах.

Завдяки здатності рухатися в боковому напрямку спрощується розміщення високих пляшок, банок або упаковок, які ви кладете на полицю для пляшок вниз.



5.9. Модуль освіжувача повітря

(FreshGuard) * додатково

Модуль освіжувача повітря швидко усуває неприємні запахи у вашому холодильнику, перш ніж вони вбираються поверхнями. Завдяки цьому модулю, який розміщується на верхній панелі камери для свіжих продуктів, неприємні запахи поглинаються фільтром від запахів, через який пропускається повітря, після чого очищене фільтром повітря подається в камеру для свіжих продуктів. У такий спосіб усуваються небажані запахи, які можуть з'явитися під час зберігання продуктів у холодильнику (перш ніж вони поглинаються поверхнями).

Це досягається завдяки вентилятору, світлодіоду та фільтру від запаху, вбудованим в модуль. Кожного дня модуль освіжувача повітря автоматично вмикається із заданою періодичністю. Для підтримки ефективних показників рекомендується кожних 5 років проводити технічне обслуговування фільтра в модулі освіжувача повітря за допомогою уповноваженого постачальника послуг. Через наявність вбудованого в модуль вентилятора під час роботи можна почути шум, який свідчить про нормальний режим роботи. Якщо ви відкриєте дверцята відділення для свіжих продуктів у той час, коли модуль увімкнено, вентилятор тимчасово зупиниться, а згодом його робота відновиться через деякий час після того, як дверцята знову закриються. У разі відключення електроенергії, після відновлення живлення модуль освіжувача повітря відновить свою роботу з моменту вимкнення під час загальної тривалості робочого циклу.

Інформація Рекомендується зберігати продукти з сильним запахом (наприклад, сир, оливки та делікатесні продукти) в герметично закритих упаковках, щоб уникнути неприємних запахів, які можуть виникнути в разі змішування запахів різних продуктів. Крім того, рекомендується швидко виймати зіпсовані продукти з холодильника, щоб запобігти псуванню інших продуктів та уникнути неприємних запахів.

Використання виробу

5.10 Посудина для овочів з регульованою вологістю

*додатково

В режимі регулювання вологості рівні насичення вологою овочів і фруктів знаходяться під контролем, чим забезпечується більш тривалий термін свіжості продуктів, що зберігаються в холодильнику.

Рекомендується, в міру можливості, зберігати листові овочі, наприклад, салат, шпинат і подібні їм види овочів, які швидко втрачають вологу, не в вертикальному положенні корінням донизу, але в горизонтальному положенні в посудині для овочів.

При розміщенні овочів зважайте на конкретну вагу кожного з видів: важкі і тверді овочі кладіть на дно посудини, а легкі і м'які – зверху.

Не розміщуйте овочі в посудині для овочів в поліетиленових пакетах. Якщо залишити овочі у поліетиленових пакетах, вони почнуть дуже швидко загнитися. У ситуаціях, коли слід уникати контакту з іншими овочами, використовуйте такі пакувальні матеріали, як папір, який відрізняється певною проникністю, задовільною з точки зору гігієни.

Не зберігайте фрукти, які виділяють газ з високим вмістом етилену, наприклад, груші, абрикоси, персики і особливо яблука, в одній посудині для овочів разом з іншими видами овочів і фруктів. Газ етилен, що виділяють ці фрукти, може викликати прискорене дозрівання інших овочів і фруктів і їх загнивання впродовж більш короткого періоду часу.

5.11 Нульова камера

*додатково

Використовуйте цей відсік для зберігання гастрономічних продуктів при більш низьких температурах, або м'ясних продуктів, призначених для негайного споживання.

Нульова камера є найбільш холодним місцем, де в ідеальних умовах можуть зберігатися такі види продуктів, як молочні продукти, м'ясо, риба і курка. Не можна зберігати в цій камері овочі та/або фрукти.

5.12 Автоматичний льодогенератор

*додатково

Автоматичний льодогенератор дозволяє легко виробити лід у холодильнику. Для того, щоб отримати лід із льодогенератора, витягніть бак для води з охолоджувальної камери, наповніть його водою і встановіть на місце.

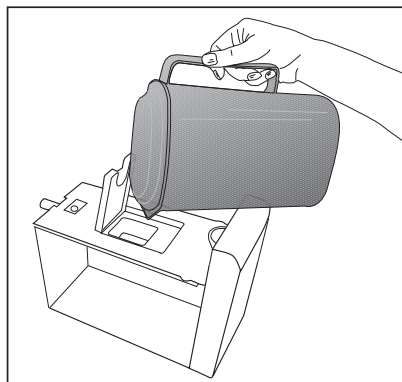
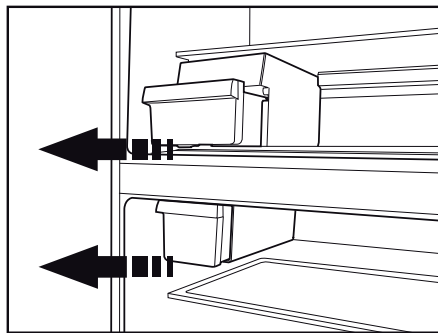
Перший лід буде готовий приблизно через 2 години в висувному ящику льодогенератора в охолоджувальній камері.

З моменту встановлення на місце повного баку для води і до моменту його повного спорощення можна отримати близько 60–70 кубиків льоду.

Якщо вода в баку не використовувалася протягом 2–3 тижнів, її слід змінити.



У виробках з автоматичним льодогенератором можна почути звуки під час зсипання кубиків льоду. Ці звуки є нормальним явищем і не означають несправність.



Використання виробу

5.13 Льодогенератор Icematic і контейнер для зберігання льоду

*додатково

Використання льодогенератора Icematic

Наповніть льодогенератор Icematic водою і встановіть його на місце. Лід буде готовий приблизно через дві години. Не виймайте льодогенератор Icematic із місця встановлення, щоб взяти кубики льоду.

Поверніть перемикачі на резервуарах для льоду за годинниковою стрілкою на 90 градусів.

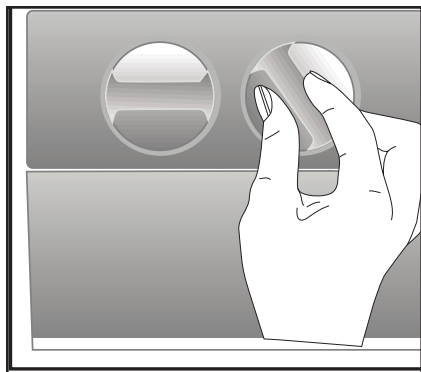
Кубики льоду з резервуарів наповнять розміщений внизу контейнер для зберігання льоду.

Можна витягнути контейнер для зберігання льоду і подати кубики льоду до столу.

За бажанням можна зберігати кубики льоду в контейнері для зберігання льоду.

Контейнер для зберігання льоду

Контейнер для зберігання льоду призначений лише для накопичення кубиків льоду. Не наливайте в нього воду. В іншому випадку він зламається.



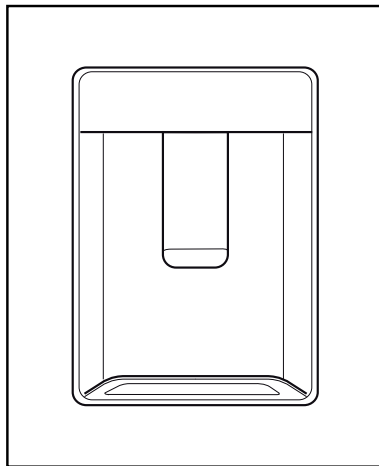
5.14 Використання дозатора для води

*додатково

i Нормальним явищем вважається, якщо вода в перших кількох склянках води, наповнених із дозатора, є теплою.

i Щоб отримати свіжу воду, якщо дозатор води не використовувався протягом тривалого часу, вилийте кілька перших склянок води.

1. Натисніть важіль дозатора для води за допомогою склянки. Якщо ви використовуєте м'яку пластикову склянку, простіше натиснути важіль рукою.
2. Наповнивши склянку до потрібного рівня, відпустіть важіль.



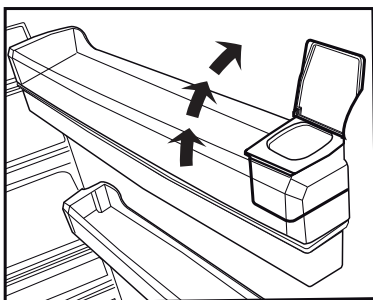
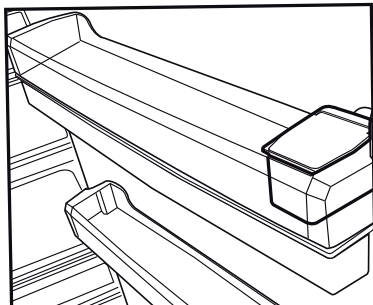
i Зверніть увагу, що об'єм води, яка витікає з дозатора, залежить від тривалості натискання важеля. По мірі того, як рівень води у вашій чашці/склянці підвищується, обережно зменшуйте рівень тиску на важіль, щоб уникнути переповнення посудини. Якщо злегка натиснути важіль рукою, вода буде капати; це цілком нормальне явище і не свідчить про несправність.

Використання виробу

5.15 Наповнення бака дозатора для води

Бак дозатора для води знаходиться всередині полиці в дверцятах.

1. Відкрийте кришку бака.
2. Наповніть бак свіжою питною водою.
3. Закрийте кришку.



Не наповнюйте бак для води будь-якою іншою рідиною, відмінною від води, як наприклад: фруктовими соками, газованими або алкогольними напоями, які не підходять для використання в дозаторі для води. Дозатор для води неоправно пошкодиться в разі використання таких видів рідин. Гарантія не поширюється на такі види використання. Деякі хімічні речовини та добавки, що містяться в таких видах напоїв/рідин, можуть пошкодити бак для води.



Дозволяється використовувати тільки чисту водопровідну воду.



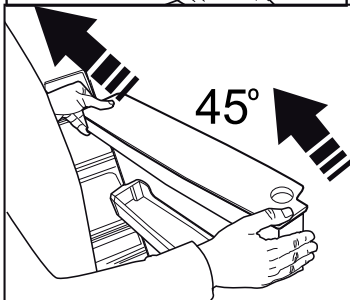
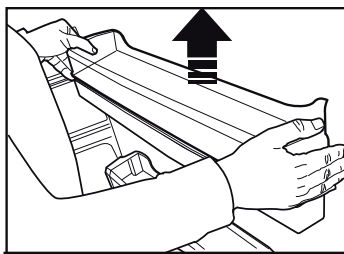
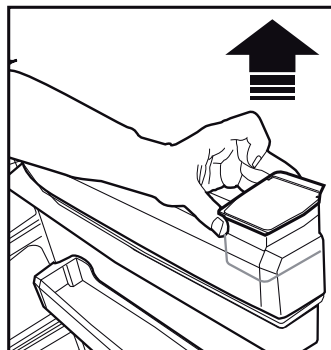
Місткість баку для води — 3 літри; не перевищуйте цей об'єм.

5.16 Очищення баку для води

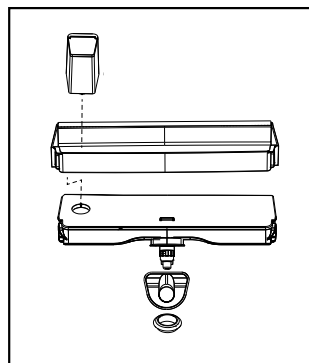
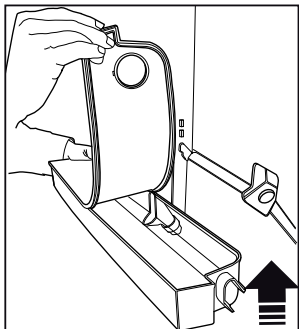
1. Вийміть резервуар для заповнення водою, розміщений всередині полиці в дверцятах.
2. Зніміть полицю в дверцятах, утримуючи її з обох сторін.
3. Утримуючи бак для води з обох сторін, зніміть його під кутом 45 градусів.
4. Зніміть кришку баку для води та очистіть бак.



Компоненти баку для води та дозатора для води не слід мити в посудомийній машині.



Використання виробу

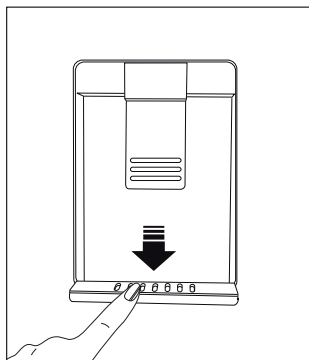


5.17 Лоток для збору крапель

Вода, що капає під час використання дозатора для води, накопичується в лотку для збору крапель.

Вийміть пластиковий фільтр, як показано на рисунку.

Чистою і сухою ганчіркою витріть зібрану воду.



5.18 Зони HerbBox/HerbFresh

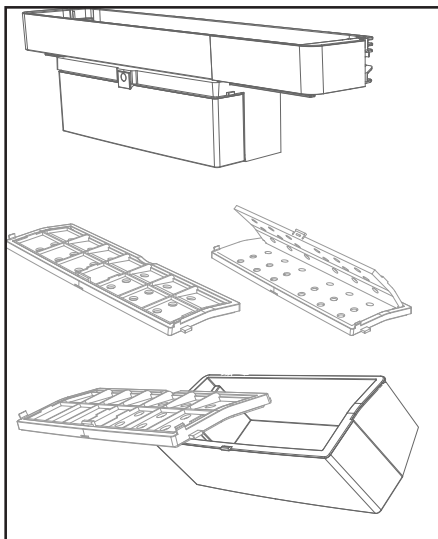
Витягніть контейнер з плівкою із зони HerbBox/HerbFresh+.

Вилучіть плівку з мішка і покладіть її в контейнер з плівкою, як показано на зображенні.

Знову закрийте контейнер і встановіть його на місце у відсіку HerbBox/HerbFresh+.

У зонах Herb Box/HerbFresh+ створюються особливо ідеальні умови для різних кулінарні трав, що потребують делікатних умов зберігання. У цих зонах неупаковані трави (петрушка, кріп тощо) зберігаються в горизонтальному положенні набагато довший період часу.

Плівку слід замінювати кожні півроку.



Використання виробу

5.19 Заморожування свіжих продуктів

- Щоб зберегти якість продуктів харчування, продукти, розташовані в морозильній камері, необхідно заморожувати якомога швидше, тобто використовувати режим швидкого заморожування.
- Заморожування продуктів харчування в свіжому стані продовжує їх термін зберігання в морозильній камері.
- Упакуйте продукти харчування в герметичні упаковки і щільно закривайте їх.
- Перш ніж покласти продукти харчування в морозильну камеру, переконайтеся, що вони відповідним чином упаковані. Замість традиційного пакувального паперу використовуйте посудини морозильної камери, фольгу і вологозахиснені паперові пакувальні матеріали, пластикові пакети або схожі пакувальні матеріали.



Лід, який утворюється в морозильній камері, автоматично розтоплюється.

- Перед заморожуванням позначте кожний упакований продукт харчування шляхом указання дати на упаковці. Це дозволить вам визначити свіжість кожної упаковки при кожному відкритті морозильної камери. Тримайте раніше заморожені продукти харчування ближче до дверцят, щоб забезпечити їх використання в першу чергу.
- Заморожені продукти харчування необхідно використати відразу після розморожування, не допускайте їх повторного замороження.
- Не розморожуйте велику кількість продуктів за один раз.

5.20 Рекомендації щодо зберігання заморожених продуктів

Температуру у камері необхідно встановити принаймні на -18°C .

- Щоб уникнути розморожування, якомога швидше розміщуйте продукти харчування в морозильній камері.
- Перед заморожуванням перевірте вказаний на упаковці «термін придатності», щоб переконатися, що він не закінчився.

Налаштування температури морозильної камери	Налаштування температури охолоджувальної камери	Детальна інформація
-18°C	4°C	Це значення за замовчуванням, рекомендоване виробником.
$-20, -22$ або -24°C	4°C	Ці значення рекомендовані в умовах, якщо температура навколишнього середовища вище ніж 30°C .
Швидке заморожування	4°C	Використовується в разі, якщо ви бажаєте заморозити продукти протягом короткого часу. Після закінчення цього процесу відновлюються попередні встановлені значення.
-18°C або нижче	2°C	Рекомендується використовувати ці значення параметрів у разі, якщо ви вважаєте, що охолоджувальна камера недостатньо охолоджена в зв'язку з високою температурою навколишнього середовища або в разі, якщо дверцята часто відкриваються.

Використання виробу

3. Переконайтеся, що упаковка харчового продукту не ушкоджена.

5.21 Докладна інформація щодо глибокого заморожування

Відповідно до стандартів IEC 62552, необхідно, щоб морозильна камера була здатна заморозити 4,5 кг продуктів харчування до температури -18°C або ще нижчої протягом 24 годин із розрахунку на кожних 100 літрів об'єму морозильної камери.

Протягом тривалих періодів продовольчі товари можуть зберігатися тільки при температурі, що дорівнює або перевищує -18°C .

Можна зберігати продукти свіжими протягом декількох місяців (в низькотемпературному холодильнику при температурі не нижче ніж -18°C).

Щоб уникнути часткового розморожування уже заморожених продуктів в камері, харчові продукти, призначені для заморожування, не повинні торкатися таких продуктів.

Випарити і процідити вологу, що знаходиться в овочах, щоб продовжити їх термін зберігання в замороженому вигляді. Після проціджування помістіть продукти в герметичні упаковки і розмістіть їх в морозильній камері. Банани, помідори, салат, селера, варені яйця, картопля та аналогічні продукти харчування не підлягають заморожуванню. У разі, якщо ці продукти уражені гниллю, негативного впливу зазнають поживна цінність і смакові якості продуктів. Безсумнівно, що вживання гнилих продуктів загрожує здоров'ю людини.

5.22 Розміщення продуктів

Полиці морозильної камери	Різноманітні заморожені продукти, включаючи м'ясо, рибу, морозиво, овочі і т.д.
Полиці охолоджувальної камери	Продукти харчування в кастрюлях, тарілки і коробки з кришками, яйця (в закритих коробках)

Полиці охолоджувальної камери в дверцятах	Упаковані продукти харчування невеликого об'єму або напої
Посудина для овочів	Фрукти і овочі
Відділення для свіжих продуктів	Гастрономічні продукти (готові сніданки, м'ясна продукція з коротким терміном зберігання)

5.23 Попередження про відкриті дверцята

(Додатково)

Якщо дверцята виробу залишаються відкритими протягом принаймні 1 хвилини, видається звуковий сигнал. Після закриття дверцят або натискання будь-якої кнопки на дисплеї (в разі наявності) звуковий сигнал припиняється. Попередження користувачеві стосовно відчинених дверцях подається як в звуковому, так і у візуальному вигляді. Якщо попередження триває протягом 10 хвилин, внутрішнє освітлення вимикається.

5.24 Зміна напрямку відкриття дверцят

Можна змінювати напрямок відкриття дверцят холодильника в залежності від місця його встановлення з метою використання. У разі необхідності зверніться до найближчого авторизованого сервісного центру.

Наведене вище пояснення має загальний характер. З інформацією про можливість зміни напрямку відкриття дверцят можна ознайомитися на попереджувальній бирці, яка знаходиться всередині упаковки виробу.

5.25 Внутрішнє освітлення

Для внутрішнього освітлення використовується світлодіодна лампа. При виникненні проблем з цією лампою зверніться до авторизованої сервісної служби.

Лампи, які використовуються в цьому пристрої, не підходять для освітлення приміщень. Ці лампи призначені для того, щоб користувач міг безпечно і комфортно розміщувати продукти в холодильнику/морозильнику.

5.26 Синє світло/HarvestFresh

*** Необов'язкова наявність у всіх моделях**

Відомості щодо синього світла

Завдяки впливу довжини хвилі синього світла у фруктах і овочах, що зберігаються в призначених для цього контейнерах, які підсвічуються синім світлом, продовжується процес фотосинтезу, а отже зберігається вміст вітамінів.

Відомості щодо функції HarvestFresh

У фруктах і овочах, що зберігаються в призначених для цього контейнерах, що підсвічуються за технологією HarvestFresh, довше зберігаються вітаміни завдяки чергуванню циклів підсвічування синім, зеленим, червоним світлом та циклів без підсвічування відповідно до денного циклу. Якщо дверцята холодильника відкриваються під час циклу без підсвічування за технологією HarvestFresh, холодильник автоматично визначає цю дію і перемикається в цикл із синьо-зеленим або червоним підсвічуванням, щоб освітлити вміст контейнеру для досягнення зручності використання. Після закриття дверцят холодильника поновлюється цикл без підсвічування, який являє собою нічний час у денному циклі.

5.27.У відсіку для зберігання молочних продуктів (зі спеціальним режимом охолодження)

підтримується більш низька температура всередині камери холодильника. Рекомендується використовувати цей відсік для зберігання делікатесів (салямі, ковбас, молочних продуктів тощо), для яких потрібна більш низька температура зберігання, або м'ясних, курінних чи рибних продуктів, призначених для негайного використання. Цей відсік не призначено для зберігання фруктів та овочів

Якщо виріб періодично очищувати, його термін служби продовжиться, а кількість часто виникаючих проблем зменшиться.



ПОПЕРЕДЖЕННЯ

Необхідно вимикати виріб перед очищенням.



ПОПЕРЕДЖЕННЯ

Рекомендується кожні півроку очищувати конденсатор з використанням рукавичок. Не можна використовувати пилососи.

- Забороняється використовувати для очищення бензин, бензол або подібні речовини.
- Забороняється використовувати для очищення абразивні інструменти з гострими краями, а також мило, побутові миючі та чистячі засоби або восковий поліроль.
- Зробіть розчин: одна чайна ложка карбонату на півлітра води. Змочіть тканину в розчині і ретельно відіжміть її. Протріть внутрішню частину холодильника цією тканиною, а потім добре просушіть.
- Забезпечте, щоб вода не потрапляла в корпус лампи або інші електричні частини.
- Якщо ви плануєте довгий час не користуватися холодильником, витягніть електричний шнур з розетки, вийміть всі продукти зсередини, очистіть його і залиште дверцята прочиненими.
- Регулярно перевіряйте чистоту ущільнювачів дверцят. У разі виявлення забруднення очистіть їх.
- Вийміть усі компоненти з виробу, щоб зняти полиці, розташовані в дверцятах та в корпусі холодильника.
- Витягніть полиці з дверцят, потягнувши їх нагору. Зсуньте полиці вниз, щоб заново встановити їх після очищення.
- Забороняється використовувати хлорвмісні чистячі засоби або воду для очищення зовнішніх поверхонь або частин виробу з хромованим покриттям. Попадання хлору на такі

металеві поверхні спричиняє механічне пошкодження.

- У виробках без системи запобігання утворенню льоду на задній поверхні охолоджувальної камери утворюються краплі води та відкладення іншою до ширини пальця. Не очищуйте їх, а також ні в якому разі не наносіть на них олію або подібні засоби.
- Для очищення зовнішньої поверхні виробу використовуйте тільки вологу тканину з мікрофібри. Губки та інші види тканин для очищення можуть подряпати поверхню.

6.1. Як уникнути неприємних запахів

Матеріали, які можуть спричинити запах, не використовуються у виробництві наших холодильників. Однак запах може виділятися в разі, якщо продукти зберігаються неправильно або якщо внутрішня поверхня виробу не очищається належним чином. Для уникнення цієї проблеми врахуйте нижченаведені фактори.

- Важливо, щоб холодильник зберігався в чистоті. Залишки продуктів, плями тощо можуть спричинити запах. З цієї причини кожні 15 днів мийте холодильник розчином карбонату у воді. Ні в якому разі не використовуйте миючі засоби або мило.
- Зберігайте продукти в закритих посудинах. Мікроорганізми, що розповсюджуються з посудин, не закритих кришками, можуть спричинити неприємні запахи.
- Ні в якому разі не зберігайте прострочені або зіпсовані продукти в холодильнику.

6.2. Захист пластикових поверхонь

Не кладіть рідкі олії або приготовані на олії страви в холодильник в незакритих посудинах, оскільки вони пошкоджують пластикові поверхні вашого холодильника. Якщо олія розлилася на пластикову поверхню або розмазалася по ній, негайно очистіть і промийте відповідну частину поверхні теплою водою.

6.3. Очищення внутрішньої поверхні

Для очищення внутрішніх поверхонь та всіх знімних деталей промийте їх слабим розчином, що містить мило, воду та карбонат. Сполощіть і ретельно висушіть. Не допускайте попадання води на засоби освітлення та пульт управління.

**УВАГА:**

Не використовуйте для очищення внутрішніх поверхонь оцет, спирт або інші засоби очищення на спиртовій основі.

6.4. Зовнішні поверхні з нержавіючої сталі

Нанесіть неабразивний засіб очищення для нержавіючої сталі на м'яку безворсову тканину. Для полірування злегка протріть поверхню вологою ганчіркою з мікрофібри, а потім — сухою замшею. Обов'язково дотримуйтеся напрямку волокон нержавіючої сталі.

6.5. Очищення виробів із скляними дверцятами

Зніміть захисну фольгу зі скла. На поверхні скла є покриття. Це покриття мінімізує утворення плям і забезпечує легке очищення плям та бруду. Скляні поверхні, не захищені покриттям, можуть піддаватися постійному впливу органічних або неорганічних забруднюючих речовин, що переносяться повітрям або водою, як наприклад: вапняний накип, мінеральні солі, незгорілі вуглеводні, оксиди металів і силікони, які за короткий час призводять до утворення плям і механічних пошкоджень. Незважаючи на регулярне миття, стає дуже важким (хоча й не зовсім неможливим) завданням утримувати скло чистим. У результаті знижується рівень чистоти і погіршується зовнішній вигляд скла. Тверді та абразивні миючі засоби та методи ще більше збільшують ці дефекти та прискорюють процес зносу.

* Для регулярного очищення необхідно використовувати нелужні, неабразивні засоби для очищення на водній основі.

Щоб забезпечити тривалий термін експлуатації покриття, під час процесів очищення не слід використовувати лужні або абразивні речовини. Використані скляні поверхні були піддані загартуванню, щоб збільшити їхню ударостійкість та стійкість до пошкоджень. В якості додаткового запобіжного заходу задні поверхні скла оснащені захисною плівкою, яка гарантує, що в разі розбиття скла не буде завдано шкоди навколишньому середовищу.

Перед зверненням у сервісну службу ознайомтеся з наведеним переліком. Це збереже вам час і гроші. У цьому переліку наведена інформація про часто виникаючі проблеми, які не є результатом неналежного виготовлення виробу або неналежного використання матеріалів. Можливо, що придбаний виріб не оснащений деякими описаними в переліку функціями.

Холодильник не працює.

- Можливо, він не підключений до електромережі належним чином. >>> Підключіть виріб до електромережі належним чином.
- Можливо, перегорів запобіжник розетки, до якої підключений ваш холодильник, або основний запобіжник. >>> Перевірте запобіжник.

Нааявність конденсату на боковій поверхні охолоджувальної камери (в мульті-зоні, зонах охолодження, управління і флекси-зоні).

- Можливо, що дверцята часто відкриваються/закриваються. >>> Не відкривайте/не закривайте дверцята холодильника занадто часто.
- Можливо, що навколишнє середовище має підвищену вологість. >>> Не встановлюйте холодильник у місцях з дуже високим рівнем вологості.
- Можливо, що продукти, які містять рідину, розміщені в посудинах без кришок. >>> Не кладіть у холодильник продукти, що містять рідину, в незакритих кришками посудинах.
- Можливо, що дверцята холодильника залишили прочиненими. >>> Не тримайте дверцята холодильника відкритими тривалий час.
- Можливо, що регулятор температури встановлено на дуже низький рівень температури. >>> Встановіть регулятор температури на відповідний рівень.

Компресор не працює.

- Система теплового захисту компресора припиняє працювати під час раптових відключень електроживлення або відключень від з електромережі і підключень до електромережі, оскільки тиск холодоагента в системі охолодження холодильника ще не збалансовано. Холодильник починає працювати приблизно через 6 хвилин. Якщо холодильник не запускається наприкінці цього періоду, зателефонуйте до уповноваженого постачальника послуг.
- Морозильна камера знаходиться в циклі розморожування. >>> Це нормальне явище для моделі холодильника з системою повного автоматичного розморожування. Цикл розморожування виконується періодично.
- Можливо, холодильник не підключено до електромережі. >>> Переконайтеся, що вилка підходить до розетки.
- Можливо, що неправильно встановлені параметри температури. >>> Виберіть правильне значення температури.
- Можливо, що відключилося енергопостачання. >>> Нормальний режим роботи виробу поновиться після відновлення подачі живлення.

Під час робочого циклу холодильника збільшується робочий шум.

- Робочі характеристики холодильника можуть змінюватися залежно від змін температури навколишнього середовища. Це нормальне явище, яке не свідчить про несправність.

Пошук і усунення несправностей

Часто вмикається робочий цикл холодильника або його робочий цикл продовжується тривалий час.

- Можливо, що розмір нового виробу перевищує розмір попереднього виробу. Чим більше розмір холодильника, тим більше тривалість його робочого циклу.
- Можливо, що температура в приміщенні занадто висока. >>> Це нормальне явище, якщо робочий цикл виробу триває довше в приміщенні з високою температурою.
- Можливо, що холодильник щойно підключено до мережі або завантажено продуктами. >>> Якщо холодильник щойно підключили до мережі або в нього щойно завантажили продукти, необхідно більше часу, щоб температура в холодильнику досягла заданого рівня. Це нормальне явище.
- Нещодавно в холодильнику було розміщено велику кількість гарячих продуктів. >>> Не розміщуйте в холодильнику гарячі продукти.
- Можливо, що дверцята часто відчинялися або залишалися прочиненими. >>> Тепле повітря, яке потрапляє до холодильника, спричиняє довшу тривалість робочого циклу. Не відкривайте дверцята занадто часто.
- Можливо, що дверцята морозильної або охолоджувальної камери залишені прочиненими. >>> Переконайтеся, що дверцята повністю закриті.
- Можливо, що в пристрої встановлено занадто низький рівень температури. >>>Встановіть температуру холодильника на більш високий рівень і зачекайте, доки температура всередині виробу досягне цього значення.
- Можливо, що ущільнення дверцят холодильника або морозильної камери забруднене, зношене, зламане або неправильно встановлене. >>>Очистіть або замініть ущільнення. Якщо ущільнення є пошкодженим або зламаним, це спричиняє довшу тривалість робочого циклу холодильника для підтримання поточної температури.

Температура в охолоджувальній камері є відповідною, а температура в морозильній камері є дуже низькою.

- Можливо, що температуру в морозильній камері встановлено на дуже низький рівень. >>> Встановіть температуру в морозильній камері на більш високий рівень і проконтролюйте ситуацію.

Температура в морозильній камері є відповідною, а температура в охолоджувальній камері є дуже низькою.

- Температуру в охолоджувальній камері встановлено на дуже низький рівень. >>> Встановіть температуру в охолоджувальній камері на більш високий рівень і проконтролюйте ситуацію.

Продукти, що зберігаються у висувних ящиках охолоджувальної камери, виявляються замороженими.

- Можливо, що температуру в охолоджувальній камері встановлено на дуже високий рівень. >>> Встановіть температуру в охолоджувальній камері на більш низький рівень і проконтролюйте ситуацію.

Пошук і усунення несправностей

Температура в охолоджувальній або в морозильній камері дуже висока.

- Можливо, що температуру в охолоджувальній камері встановлено на дуже високий рівень. >>> Встановлена температура в охолоджувальній камері має вплив на температуру в морозильній камері. Змінійте температуру в охолоджувальній або в морозильній камері доти, доки температура в охолоджувальній або в морозильній камері не досягне відповідного рівня.
- Можливо, що дверцята часто відчинялися або залишалися прочиненими. >>> Не відкривайте дверцята занадто часто.
- Можливо, що дверцята залишили прочиненими. >>> Повністю закрийте дверцята.
- Можливо, що холодильник щойно підключено до мережі або завантажено продуктами. >>> Це нормальний режим роботи. Якщо холодильник щойно підключили до мережі або в нього щойно завантажили продукти, необхідно більше часу, щоб температура в холодильнику досягла заданого рівня.
- Нещодавно в холодильнику було розміщено велику кількість гарячих продуктів. >>> Не розміщуйте в холодильнику гарячі продукти.

Вібрація або шум.

- Можливо, що підлога нестійка або нерівна. >>> Якщо холодильник вібрає і при цьому повільно переміщується, відрегулюйте кронштейни таким чином, щоб досягти збалансованого положення виробу. Переконайтеся, що підлога є рівною і здатною служити опорою для холодильника.
- Предмети, розміщені на холодильнику, здатні спричиняти шум. >>> Приберіть предмети, розташовані на холодильнику.

З холодильника є чути шуми, які нагадують розливання або розбризкування рідини.

- Потоки рідини та газу протікають відповідно до принципів роботи холодильника. >>> Це нормальне явище, яке не свідчить про несправність.

З холодильника чути свист.

- Для охолодження холодильника використовуються вентилятори. Це нормальне явище, яке не свідчить про несправність.

На внутрішніх стінках холодильника накопичується волога.

- Спекотна і волога погода збільшує об'єм утвореного льоду та конденсату. Це нормальне явище, яке не свідчить про несправність.
- Можливо, що дверцята часто відчинялися або залишалися прочиненими. >>> Не відкривайте дверцята занадто часто. Закрийте дверцята, якщо вони відкриті.
- Можливо, що дверцята залишили прочиненими. >>> Повністю закрийте дверцята.

На зовнішній поверхні холодильника або між дверцятами утворюється волога.

- Можливо, що повітря, яке потрапляє до холодильника, є вологим. Це цілком нормальне явище у вологу погоду. >>> Конденсат зникне після того, як рівень вологості знизиться.
- Якщо ви не часто використовуєте придбаний виріб, на зовнішній поверхні у зоні між двома дверцятами холодильника може утворитися конденсат. Це нормальне явище. У разі частого використання конденсат зникне.

Пошук і усунення несправностей

Усередині холодильника накопичується неприємний запах.

- Можливо, не проводилося регулярне очищення. Очистіть внутрішню частину холодильника губкою, теплою або карбонатною водою.
- Деякі посудини або пакувальні матеріали можуть спричиняти запах. >>> Використовуйте посудини або пакувальні матеріали іншої марки.
- Можливо, що продукти розміщені в холодильнику в посудинах, не закритих кришками. >>> Зберігайте продукти в закритих кришками посудинах. Мікроорганізми, що розповсюджуються з посудин, не закритих кришками, можуть спричинити неприємні запахи.
- Заберіть з холодильника прострочені або зіпсовані продукти.

Дверцята не можна закрити.

- Упаковані продукти можуть перешкоджати закриттю дверцят. >>> Перекладіть в інше місце упаковки з продуктами, які перешкоджають закриттю дверцят.
- Можливо, що холодильник нестійко встановлено на підлозі. >>> За допомогою ніжок холодильника забезпечте відповідне балансування.
- Можливо, що підлога не рівна або не стійка. >>> Переконайтеся, що підлога є рівною і здатною служити опорою для холодильника.

Контейнери для фруктів і овочів застрягають.

- Можливо, що продукти торкаються верхньої стінки контейнера для фруктів і овочів. >>> По іншому розмістіть продукти в контейнері для фруктів і овочів.

Якщо поверхня виробу розігрівається до високої температури.

Під час роботи виробу можуть спостерігатися високі температури між двома дверцятами, на бічних панелях та на решітці на задній стінці. Це нормальний режим роботи, тому немає необхідності в сервісному обслуговуванні.

Вентилятор продовжує працювати в той час, коли дверцята відчинені.

Робочий цикл вентилятора може підтримуватися в той час, коли дверцята морозильної камери відкриті.



ПОПЕРЕДЖЕННЯ. Якщо ви не змогли усунути проблему, хоча діяли згідно з інструкціями, наведеними в цьому розділі, зверніться до дилера або авторизованого сервісного центру. Не намагайтеся полагодити несправний пристрій самостійно.

beko

Lednice

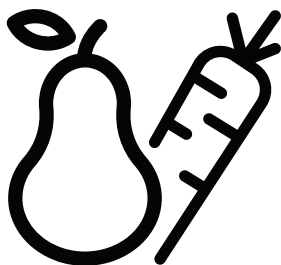
Návod k použití

Chladnička

Používateľská príručka

Chłodziarka

Instrukcja użytkowania



RCNE560E40ZXBN - RCNE560E40DZXBN

CE

CZ / SK / PL

58 5366 0000/AC

4/8

Před použitím produktu si pozorně přečtěte tento návod k obsluze.

Vážení zákazníci,

Chceme Vám poskytnout možnost nejlepšího použití našeho výrobku, který byl vyroben v moderních zařízeních s péčí a důkladnou kontrolou kvality.

Také, před použitím výrobku Vám doporučujeme přečíst si celý návod k použití. V případě odprodeje výrobku, nepamenejte předat návod jeho novému majiteli společně s výrobkem.

Tato příručka vám pomůže abyste mohli výrobek používat rychle a bezpečně.

- Před instalací a použitím výrobku si prosím pozorně přečtěte uživatelskou příručku.
- Vždy dodržujte platné bezpečnostní předpisy.
- Mějte uživatelskou příručku v dosahu pro budoucí použití.
- Přečtěte si prosím všechny další dokumenty dodané s výrobkem.

Nezapomínejte, že tato Uživatelská příručka se může vztahovat na několik modelů výrobků. Příručka jasně ukáže všechny variace různých modelů.

	Důležité informace a užitečné tipy.
	Ohrožení života a majetku.
	Riziko zranění elektrickým proudem
	Obal tohoto výrobku je vyroben z recyklovatelných materiálů, v souladu s Národní legislativou pro životní prostředí.

INFORMACE



Informace o modelu uložené v databázi výrobků se dají získat zadáním následující webové stránky a vyhledáním identifikátoru vašeho modelu (*), který je uveden na energetickém štítku.

<https://eprel.ec.europa.eu/>

1. Bezpečnostní pokyny a životní prostředí 3

Všeobecná bezpečnost	3
1.1.1 Varování HC	5
1.1.2 Pro modely s dávkovačem vody	5
1.1. Účel použití	6
1.2. Bezpečnost dětí	6
1.3. Soulad se směrnicí WEEE a Odstranění odpadů výrobku	6
1.4. Soulad se směrnicí RoHS.	6
1.5. Informace o balení.	6

2 Vaše lednička 7

3 Instalace 8

3.1. Správné místo pro instalaci	8
3.2. Připojení plastových klínů.	8
3.3. Nastavení stojanů	8
3.4. Připojení napájení	9

4 Příprava 10

4.1. Co udělat pro úsporu energie.	10
4.2. První uvedení do provozu.	10

5 Tlačítko pro Nastavení teploty 11

5.1. Panel ukazatelů.	11
5.2. Zásobník na led.	14
5.3. Držák na vajíčka	14
5.4. Ventilátor	14
5.5. Zásobník na zeleninu	14
5.6. Oddělení Nulového stupně.	14
5.7. Pohyblivý stojan ve dveřích	15
5.8. Posuvná odkládací schránka	15
5.9. Použití druhého prostoru pro zeleninu a ovoce;	16
5.10. Pohlcovač pachů	17
5.11. Zásobník na zeleninu s kontrolou vlhkosti	18

5.12. Automatický výrobek ledu	18
5.13. Icematic a držák na skladování ledu	19
5.14. Použití dávkovače vody.	19
5.15. Plnění nádrže dávkovače na vodu	20
5.16. Čištění nádrže na vodu	21
5.17. Odkapávací zásobník	22
5.18. Zmrazování čerstvých potravin	23
5.19. Doporučení pro skladování zmrazených potravin.	23
5.20. Podrobnosti o mrazničce	24
5.21. Umístění jídla.	24
5.22. Upozornění na otevřené dveře.	24
5.23. Změna směru otevírání dveří	24
5.24. Vnitřní osvětlení	24
5.25. Modré světlo/HarvestFresh	25
5.26. Nádobka na mléko (chladicí zóna)	25

6 Údržba a čištění 26

6.1. Zabránění vzniku nepříjemných pachů	26
6.2. Ochrana plastových povrchů	26
6.3. Dveřní skla	26

7 Řešení problémů 27

1 Bezpečnostní pokyny a životní prostředí

Tato část obsahuje bezpečnostní pokyny nezbytné pro zabránění nebezpečí zranění a materiálních škod. Nedodržení těchto pokynů zanikají všechny typy záruky výrobku.

Určené použití



UPOZORNĚNÍ:

V případě, že je zařízení v ochranné fázi nebo umísteno, ujistěte se, zda nejsou odvětrávací dírky uzavřeny.

UPOZORNĚNÍ:

Za účelem urychlení rozpouštění ledu nepoužívejte žádné jiné mechanické zařízení nebo jiný přístroj než ty jež byly doporučeny výrobcem.

UPOZORNĚNÍ:

Pokud je chladidlo v provozu, nezasahujte do jeho obvodu.

UPOZORNĚNÍ:

Uvnitř skladovacích prostor jídla přístroje nepoužívejte jiná elektrická zařízení než ta, která byla doporučena výrobcem.

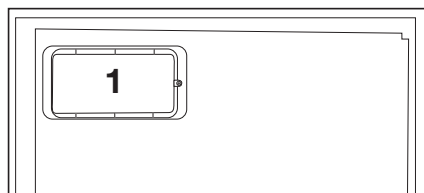
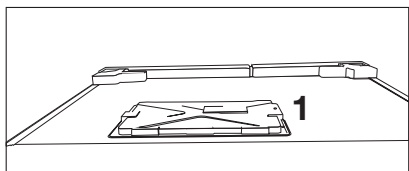
Toto zařízení bylo navrženo pro použití v domácnosti nebo pro níže uvedené aplikování.

- V kuchyních personálu obchodů, kanceláří a jiných pracovních míst;
- Za účelem použití návštěvníky farem a hotelů, motelů a jiných míst s ubytováním.
- V prostorách typu penzionů
- V podobných zařízeních, která nejsou stravovacími službami nebo maloobchodem.

Všeobecná bezpečnost

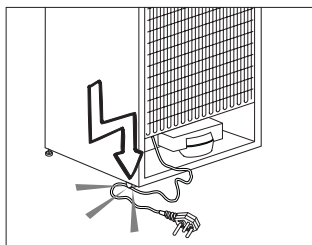
- Tento produkt by neměly používat osoby s tělesným, smyslovým a mentálním postižením, osoby bez dostatečných znalostí a zkušeností, nebo děti. Zařízení mohou tyto osoby používat jen pod dohledem a po poučení osobou odpovědnou za jejich bezpečnost. Nedovolte dětem hrát si s tímto zařízením.
- V případě poruchy přístroj odpojte.
- Po odpojení počkejte nejméně 5 minut před opětovným připojením. Odpojte výrobek, když se nepoužívá. Nedotýkejte se zástrčky mokřkýma rukama! Při odpojování netahejte za kabel, vždy uchopte zástrčku.
- Před zasunutím dovnitř otřete hrot síťové zástrčky suchým hadříkem.
- Nezapojujte ledničku, pokud je zásuvka uvolněná.
- Při instalaci, údržbě, čištění a opravách odpojte výrobek.
- Pokud se výrobek nebude delší dobu používat, odpojte jej a vyjměte potraviny.
- Nepoužívejte páru nebo čisticí prostředky s párou pro čištění chladničky a tání ledu uvnitř. Pára může přijít do styku s elektrifikovanými oblastmi a způsobit zkrat nebo elektrický šok!
- Nemyjte výrobek stříkáním nebo poléváním vodou na něj! Nebezpečí úrazu elektrickým proudem!
- Nikdy nepoužívejte výrobek, pokud část nacházející se na horní nebo zadní straně výrobku s elektronickou deskou s plošným spojem uvnitř je otevřená (krycí deska elektronických plošných spojů) (1).

Bezpečnostní pokyny a životní prostředí



- V případě jeho poruchy výrobek nepoužívejte, protože by mohlo dojít k úrazu elektrickým proudem. Před tím, než cokoliv uděláte, se obraťte na autorizovaný servis.
- Výrobek zapojte do uzemněné zásuvky. Uzemnění musí být provedeno kvalifikovaným elektrikářem.
- Pokud produkt má osvětlení typu LED, pro jeho nahrazení nebo v případě jakéhokoli problému se obraťte na autorizovaný servis.
- Nedotýkejte se mražených potravin mokřkýma rukama! Mohou se nalepit na Vaše ruce!
- Nepokládejte do mrazničky tekutiny v lahvích a plechovkách. Mohou vybuchnout!
- Tekutiny umístěte ve vzpřímené poloze a pevně uzavřete jejich víko.
- Nestříkejte hořlavé látky v blízkosti výrobku, protože se může zapálit nebo explodovat.
- Nenechávejte hořlavé materiály a produkty s hořlavým plynem (spreje, atd.) v chladničce.

- Nepokládejte nádoby obsahující kapaliny na horní část výrobku. Voda stříkající na elektrifikované části může způsobit úraz elektrickým proudem a nebezpečí požáru.
- Vystavení produktu dešti, sněhu, slunci a větru může způsobit elektrické nebezpečí. Při přemísťování výrobku jej netahejte držením za rukojeť dveří. Rukojeť se může odtrhnout.
- Dbejte na to, aby nedošlo k zachycení jakékoliv části vašich rukou či těla do jakýchkoli z pohyblivých se částí uvnitř výrobku.
- Nevylézejte nebo se neopírejte o dveře, zásuvky a podobné části chladničky. Může to mít za následek pád výrobku a způsobit poškození dílů.
- Dávejte pozor, aby nedošlo k přivření napájecího kabelu.



- Při umístění zařízení se ujistěte, že napájecí kabel není zachycen nebo poškozen.
- Neumísťujte více přenosných zásuvek nebo přenosných zdrojů napájení vzadu od zařízení.

Bezpečnostní pokyny a životní prostředí

- Vaši Side-by-Side chladničku je třeba připojit k přípojce na vodu. Pokud ještě není k dispozici žádný vodovodní kohoutek a musíte zavolat instalatéra, nezapomeňte: V případě, že je váš dům vybaven podlahovým topením, zvažte, že vrtání otvorů do betonového stropu může tento topný systém poškodit!
- Děti ve věku od 3 do 8 let smí nakládat a vykládat chladicí zařízení.
- Abyste předešli znečištění jídla, dodržujte prosím následující pokyny:
- Ponecháte-li dvířka otevřená po dlouhou dobu, může to způsobit značné zvýšení teploty v odděleních zařízení.
- Pravidelně očišťujte povrchy, které mohou přijít do kontaktu s jídlem, a přístupné odtokové systémy.
- Očišťujte nádrže na vodu, pokud nebyly používány během 48 h; propláchněte vodní systém připojený k přívodu vody, pokud jste nečerpali vodu ze zařízení během 5 dní.
- Syrové maso a ryby uchovávejte v chladničce ve vhodných nádobách, aby nepřicházely do kontaktu s jídlem ani na něho nemohly ukápnout.
- Oddělení se dvěma hvězdičkami pro mražené potraviny jsou vhodná pro uchovávání předem zmražených jídel, uchovávání nebo přípravu zmrzliny a výrobu kostek ledu.
- Oddělení s jednou, dvěma a třemi hvězdičkami nejsou vhodná pro zmrazení čerstvého jídla.
- Je-li chladicí zařízení ponecháno prázdné po dlouhou dobu, vypněte ho, rozmrazte, očistěte, osušte a nechte dvířka otevřená, abyste tak zabránili tvoření plísní uvnitř zařízení.

1.1.1 Varování HC

Jestliže výrobek obsahuje chladicí systém ve kterém se používá plyn R600a, zajistěte, aby při používání a pohybování spotřebiče nedošlo k poškození chladicího systému a jeho potrubí. Tento plyn je hořlavý. Pokud je chladicí systém poškozen, zajistěte, aby bylo zařízení mimo dosah zdrojů ohně a okamžitě vyvětrejte místnost.



Štítek na vnitřní levé straně označuje druh plynu používaného v produktu.

1.1.2 Pro modely s dávkovačem vody

- Tlak pro přívod studené vody musí být maximálně 90 psi (620 kPa). Pokud je váš tlak vody vyšší než 80 psi (550 kPa), použijte ve vaší síti ventil na omezování tlaku. Pokud nevíte, jak zkontrolovat tlak vody, požádejte o pomoc profesionálního instalatéra.
- Pokud při instalaci existuje riziko vodního rázu, vždy použijte preventivně zařízení proti vodnímu rázu. Pokud jste si není jistý, zda ve Vaší síti je efekt vodního rázu, porad'te se s profesionálním instalatérem.

Bezpečnostní pokyny a životní prostředí

- Neinstalujte na přívodu pro teplou vodu. Proved'te nezbytná opatření proti riziku zamrznutí hadic. Provozní interval teplota vody musí být mezi minimálně 33 ° F (0,6 ° C) a maximálně 100 ° F (38 ° C).
- Používejte pouze pitnou vodu.

1.1. Účel použití

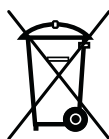
- Tento výrobek je určen pro domácí použití. Není určen pro komerční použití.
- Spotřebič by měl být používán pouze pro skladování potravin a nápojů.
- Do chladničky neukládejte citlivé produkty, které vyžadují řízené teploty (očkovací látky, léky citlivé na teplo, zdravotnický materiál, atd.).
- Výrobce nenese žádnou zodpovědnost za případné škody způsobené nesprávným použitím nebo nesprávnou manipulací.
- Životnost výrobku je 10 let. Náhradní díly potřebné pro funkčnost tohoto výrobku budou pro toto období k dispozici.

1.2. Bezpečnost dětí

- Obalové materiály uchovávejte mimo dosah dětí.
- Nedovolte dětem, aby se s výrobkem hrály.
- Pokud je na dveřích výrobku zámek, klíč držte mimo dosah dětí.

1.3. Soulad se směrnicí WEEE a Odstranění odpadů výrobku

Tento výrobek splňuje požadavky směrnice WEEE EU (2012/19/EU). Na tomto produktu je zobrazen symbol klasifikace odpadu elektrických a elektronických zařízení (OEEZ).



Tento výrobek byl vyroben z vysoce kvalitních materiálů a komponent, které lze opětovně použít a které jsou vhodné pro recyklaci. Na konci své životnosti spotřebič nevyhazujte spolu s běžnými domácími a jinými odpady. Odneste jej do sběrného centra pro recyklaci elektrických a elektronických zařízení. Pro informace o těchto sběrných střediscích se prosím obraťte na místní úřady.

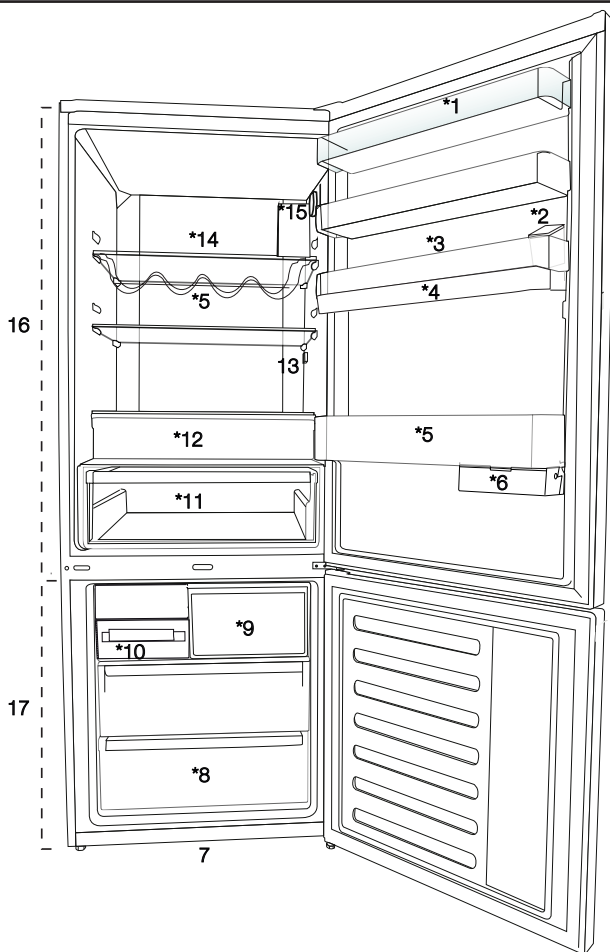
1.4. Soulad se směrnicí RoHS

- Tento výrobek splňuje požadavky směrnice WEEE EU (2011/65/EU). Neobsahuje škodlivé a zakázané látky uvedené ve směrnici.

1.5. Informace o balení

- Obalové materiály výrobku jsou vyrobeny z recyklovatelných materiálů v souladu s našimi národními předpisy o životním prostředí. Nevyhazujte obalové materiály spolu s domácími nebo jinými odpady. Vezměte je do sběrných míst pro obalové materiály určené místními orgány.

2 Vaše lednička



1. Police v dveřích chladicí části
2. Plnicí nádrž dávkovače vody
3. Část pro vajíčka
4. Zásobník dávkovače vody
5. Police pro láhve
6. Posuvná odkládací schránka
7. Nastavitelné nohy
8. Oddíl mrazničky
9. Část rychlého mražení
10. Zásobník na ledové kostky a akumulovaný led
11. Zásobník na zeleninu
12. Nádobka na mléko (chladicí zóna)
13. Vnitřní osvětlení
14. Skleněná police v chladicí části
15. Tlačítko pro Nastavení teploty
16. Chladicí prostor
17. Mrazicí prostor

(U některých modelů nemusí být k dispozici)



***volitelné:** Obrázky uvedené v této příručce jsou uváděny jako příklad a nemusí se přesně shodovat s Vaším produktem. Pokud váš výrobek neobsahuje příslušné části, tyto informace se vztahují na ostatní modely.

3.1. Správné místo pro instalaci

Pro instalaci výrobku se obraťte na autorizovaný servis. Pro přípravu produktu pro instalaci vyhledejte informace v uživatelské příručce a ujistěte se, že jsou k dispozici požadované elektrické a vodovodní nástroje. Pokud ne, pro uspořádání těchto nástrojů podle potřeby se obraťte na elektrikáře a vodoinstalatéři.



VAROVÁNÍ: Výrobce nenese žádnou odpovědnost za škodu způsobené prací vykonanou neoprávněnými osobami.



VAROVÁNÍ: V průběhu instalace musí být napájecí kabel tohoto výrobku odpojen. Pokud tak neučiníte, může to mít za následek smrt nebo vážné zranění!



VAROVÁNÍ: Pokud je rozpětí dveří příliš úzké pro přenesení výrobku, odmontujte dveře a otočte produkt na bok, pokud to nefunguje, obraťte se na autorizovaný servis.

- Pro zabránění vibracím umístěte výrobek na rovný povrch.
- Umístěte výrobek alespoň 30 cm od radiátorů, kamen a podobných tepelných zdrojů a alespoň 5 cm od elektrických trub
- Nevystavujte výrobek přímému slunečnímu záření nebo jej neopouštějte ve vlhkém prostředí.
- Výrobek pro své efektivní fungování vyžaduje dostatečnou cirkulaci vzduchu.
- Pokud bude výrobek umístěn ve výklenku, nezapomeňte nechat nejméně 5 cm odstup mezi produktem, stropem a stěnami.
- Neinstalujte výrobek v prostředí s teplotami pod -5°C .
- Aby Váš výrobek účinně fungoval, vyžaduje dostatečný oběh vzduchu. Pokud bude výrobek umístěn ve výklenku, nezapomeňte mezi výrobkem a stropem, zadní stěnou a bočními stěnami ponechat volný prostor nejméně 5 cm.
- Pokud bude výrobek umístěn ve výklenku, nezapomeňte mezi výrobkem a stropem, zadní stěnou a bočními stěnami

ponechat volný prostor nejméně 5 cm.

Zkontrolujte, zda je na svém místě součástka zajišťující ochranný odstup od zdi (pokud je dodána s výrobkem). Pokud součástka není k dispozici, nebo pokud se ztratila nebo upadla, umístěte výrobek tak, aby mezi zadní stěnou výrobků a stěnou místnosti zůstal volný prostor nejméně 5 cm. Volný prostor vzadu je důležitý pro účinný provoz výrobku.

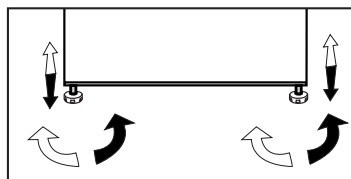
3.2. Připojení plastových klínů

Použijte plastové klíny dodané s produktem pro zajištění dostatečného prostoru pro cirkulaci vzduchu mezi výrobkem a stěnou.




1. Chcete-li připojit klíny, odstraňte šrouby na výrobku a použijte šrouby dodané s klíny.
2. Připevněte 2 plastové klíny na kryt větrání jako jsou zobrazeny na obrázku.

3.3. Nastavení stojanů


Pokud výrobek není v rovnovážné poloze, nastavte přední nastavitelné stojany jejich otáčením směrem doprava nebo doleva.



3.4. Připojení napájení

	VAROVÁNÍ: Pro napájení nepoužívejte rozšířené nebo sdružené zásuvky.
	VAROVÁNÍ: Poškozený napájecí kabel musí být vyměněn autorizovaným servisem.
	Při umístění dvou chladniček v přilehlé pozici, mezi dvěma jednotkami nechejte vzdálenost nejméně 4 cm.

- Naše společnost nenese zodpovědnost za případné škody vzniklé v důsledku použití bez uzemnění a připojení napájení v nesouladu s vnitrostátními předpisy.
- Zásuvka napájecího kabelu musí být snadno přístupná i po instalaci.
- Mezi zásuvkou a ledničkou nepoužívejte rozdvojku nebo prodlužovací kabel.

	Výstraha před horkým povrchem Boční stěny vašeho produktu jsou vybaveny potrubím s chladivem pro zlepšení chladicího systému. Přes tyto oblasti může proudit chladivo s vysokými teplotami, což vede k horkým povrchům bočních stěn. To je normální a nepotřebuje žádnou opravu. Dbejte na to, když se dotýkáte těchto oblastí.
---	--

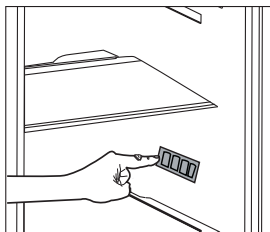
4.1. Co udělat pro úsporu energie



Připojení výrobku k elektronickým systémům pro úsporu energie je škodlivé, protože může dojít k poškození výrobku.

- Pro volně stojící zařízení; “tento chladicí spotřebič není určen k použití jako zabudovaný spotřebič”.
- Nenechávejte dveře chladničky otevřeny po delší dobu.
- Nevkládejte do chladničky horké potraviny nebo nápoje.
- Nepřepíňujte chladničku; blokování vnitřního toku vzduchu sníží chladicí kapacitu.
- Abyste mohli uchovávat maximální množství potravin v chladnějším prostoru vaší ledničky, vyberte horní zásuvku a položte ji na skleněnou polici. Deklarovaná spotřeba energie chladničky byla určena po vyjmutí chladiče, zásobníku na led a horní zásuvky, což umožní vytvořit maximální skladovací prostor. Při skladování důrazně doporučujeme použití spodní zásuvky. Nejlepší spotřebu energie aktivujte funkci úspory energie.
- Neblokujte proudění vzduchu tím, že umístíte jídlo před ventilátor chladiče. Při umístění potravin je třeba zajistit minimálně 3 cm prostor před ochrannými mřížemi ventilátoru.
- V závislosti na funkcích tohoto výrobku; rozmrazování zmrazených potravin v chladnějším prostoru zajistí úsporu energie a zachování kvality potravin.
- Jídlo ukládejte pomocí použití zásuvek v chladicím prostoru, s cílem zajištění úspory energie a ochrany potravin v lepších podmínkách.
- Balíky potravin nesmí být v přímém kontaktu s čidlem tepla, nacházejícího se v chladicím prostoru. V případě pokud se dotýkají čidla, může se zvýšit spotřeba energie zařízení.
- Ujistěte se, že potraviny nejsou v kontaktu s čidlem teploty prostoru chladničky popsaného níže.

- Protože horký a vlhký vzduch se nedostane přímo do vašeho výrobku, když nejsou dvířka otevřena, spotřebič se optimalizuje ve stávajících podmínkách tak, aby nadějně chránil jídlo umístěné uvnitř. Funkce a součásti, jako jsou kompresor, ventilátor, rozmrazovač, osvětlení, displej aj., budou fungovat tak, aby za těchto podmínek spotřebovali minimální množství energie.
- V případě více možností je třeba umístit skleněné police tak, aby nebyly blokovány vývody vzduchu v zadní stěně, přednostně se nacházejí vývody vzduchu pod skleněnou polici. Tato kombinace může pomoci ochudit distribuci vzduchu a energetickou účinnost.



4.2. První uvedení do provozu

Před použitím chladničky se ujistěte, že byly provedeny všechny nezbytné přípravy v souladu s pokyny uvedenými v kapitolách “Bezpečnostní pokyny a životní prostředí” a “Instalace”.

- Nechte výrobek běžet bez jídla v jeho nitru po dobu 6 hodin a neotvírejte dveře, pokud to není nezbytně nutné.



Když se kompresor zapne, uslyšíte zvuk. Je normální slyšet zvuk, i když kompresor není aktivní, v důsledku stlačené kapaliny a plynu v chladicím systému.



Přední hrany produktu se mohou zahřát. To je normální. Tyto oblasti jsou navrženy tak, aby se zahřály, s cílem zabránění kondenzace.

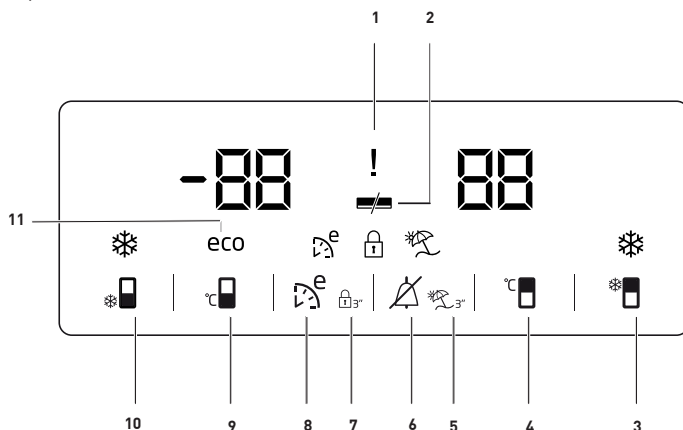


U některých modelů se panel indikátoru automaticky vypne po 5 minutách po zavření dveří. Znovu se aktivuje když se dveře otevřou nebo po stisknutí tlačítka.

5 Tlačítko pro Nastavení teploty

5.1. Panel ukazatelů

Na panelu s kontrolkami lze nastavit teplotu a ovládat ostatní funkce související s produktem, aniž by bylo třeba dveře produktu otevřít. Pro nastavení funkce stačí stisknout relevantní tlačítka.



1. Výpadek napájení / vysoká teplota / Kontrolka chybového stavu

Tato kontrolka (!) se rozsvítí v případě výpadku napájení, vysoké teploty a při chybových varováních.

Když se teplota mrazicího prostoru zahřeje na kritickou úroveň pro mražené potraviny, na digitálním ukazateli bliká maximální dosažená hodnota teploty mrazicího prostoru.

Zkontrolujte jídlo v části mrazničky.

To není porucha. Varování lze vymazat stisknutím libovolného tlačítka nebo tlačítkem vypnutí alarmu vysoké teploty. (Zrušení stisknutím libovolného tlačítka není možné v případě každého modelu.)

Tato kontrolka (!) se rozsvítí i při poruše snímače.

Když tato kontrolka svítí, na kontrolce teploty se alternativně zobrazí "E" a číslice jako "1,2,3 ...".

Tyto údaje na kontrolce informují servisní personál o chybě.

2. Funkce Úspora energie (vypnutý displej):

Jsou-li dveře produktu ponechány zavřené dlouhou dobu, automaticky se aktivuje funkce úspory energie a rozsvítí se příslušný symbol. (🔋)

Když je funkce úspora energie aktivní, všechny ostatní symboly na displeji zhasnou. Když je aktivována funkce úspory energie, pokud stisknete jakékoli tlačítko nebo otevřete dvířka, režim úspory energie se ukončí a ikony na displeji se vrátí do normálu.

Funkce úspory energie se aktivuje během doručení z továrny a nelze ji zrušit.

3. Funkce Rychlé chlazení

Tlačítko má dvě funkce. Krátce ho stiskněte chcete-li funkci rychlého chlazení aktivovat nebo deaktivovat. Kontrolka Rychlé chlazení zhasne a produkt se vrátí do normálního nastavení. (❄️)




***volitelné:** Obrázky uvedené v této příručce jsou uváděny jako příklad a nemusí se přesně shodovat s Vaším produktem. Pokud váš výrobek neobsahuje příslušné části, tyto informace se vztahují na ostatní modely.



Tlačítko pro Nastavení teploty

	Funkci rychlého chlazení použijte kdykoli chcete rychle zchladit potraviny vložené do chladničky. Pokud chcete zchladit velké množství čerstvých potravin, doporučujeme aktivovat tuto funkci, než vložíte potraviny do chladničky.
	Pokud funkci rychlého chlazení nezrušíte, vypne se sama automaticky po 1 hodinách nebo jakmile prostor chladničky dosáhne požadované teploty.
	Pokud opakovaně rychle za sebou stisknete tlačítko rychlého mražení, aktivuje se ochrana elektrického obvodu a kompresor se nespustí hned.
	Tato funkce se nevyvolá po selhání napájení.

4. Tlačítko nastavení teploty v chladničce

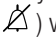
Stiskněte toto tlačítko a nastavte teplotu v chladničce na 8,7,6,5,4,3,2,1,8... Stiskněte toto tlačítko a nastavte teplotu v chladničce na požadovanou hodnotu. ()

5. Funkce Dovolená

Abyste aktivovali funkci dovolené, na 3 sekundy stiskněte toto tlačítko (), aktivuje se kontrolka režimu dovolené (). Když se kontrolka funkce dovolené aktivuje, na panelu kontrolky chladničky se zobrazí "--" a v chladničce nedochází k žádnému aktivnímu chlazení. Když je tato funkce aktivovaná, nehodí se uchovávat potraviny v chladničce. Ostatní prostory se budou chladit na nastavenou teplotu.

Chcete-li tuto funkci zrušit, znovu stiskněte tlačítko funkce Dovolená .


6. Ukončení výstrahy před vysokou teplotou:

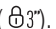
V případě výpadku proudu / výstrahy vysoké teploty můžete výstrahu () vymazat stisknutím libovolného tlačítka na kontrolce nebo tlačítka vypnutí alarmu vysoké teploty na 1 sekundu po zkontrolování potravin uvnitř mrazničky.

Poznámka: Zrušení stisknutím libovolného tlačítka není možné v případě každého modelu.


7. Zámek kláves,

Stiskněte tlačítko zámku kláves (), držte ho po dobu 3 sekund. Symbol Zámek

() se rozsvítí a režim zámku kláves se aktivuje. Tlačítka nebudou v režimu zámku tlačítek funkční. Tlačítko zámku kláves znovu stiskněte na 3 sekundy. Symbol zámku tlačítek zhasne a režim zámku tlačítek se ukončí.


Chcete-li předejít změně nastavení teploty chladničky, stiskněte tlačítko **zámku tlačítek** ().

8. Eco fuzzy

Stiskněte a přidržte tlačítko Eco fuzzy na 1 sekundu a tato funkce se vypne. Chladnička se spustí v nejušpornějším režimu nejméně o 6 hodin později a ukazatel úsporného provozu se rozsvítí, když je funkce aktivní (). Stiskněte a přidržte tlačítko Eco fuzzy na 3 sekundy a tato funkce se vypne.

Tato kontrolka se po 6 hodinách rozsvítí, jakmile se funkce Eco fuzzy aktivuje.


9. Tlačítko nastavení teploty v mrazničce




Stiskem tohoto tlačítka nastavíte teplotu prostoru mrazničky na -18, -19, -20, -21, -22, -23, -24 a -18... Stiskněte toto tlačítko a nastavte teplotu v mrazničce na požadovanou hodnotu. ()

Tlačítko pro Nastavení teploty


10. Tlačítko funkce Rychlé mrazení/ Výroba ledu

Stisknutím tohoto tlačítka aktivujete nebo deaktivujete funkci rychlého mrazení. Když funkci aktivujete, mraznička se vychladí na teplotu nižší než je nastavená hodnota.

() Chcete-li výrobu ledu zapnout a vypnout, stiskněte tlačítko na 3 sekundy.

	Funkci rychlého mrazení použijte kdykoli chcete rychle zchladit potraviny vložené do chladničky. Pokud chcete zmrazit velké množství čerstvých potravin, doporučujeme aktivovat tuto funkci, než vložíte potraviny do chladničky.
	Pokud funkci rychlého mrazení nezrušíte, vypne se sama automaticky po 24 hodinách nebo jakmile prostor chladničky dosáhne požadované teploty.
	Tato funkce se nevyvolá po selhání napájení.

11. Kontrolka úsporného provozu

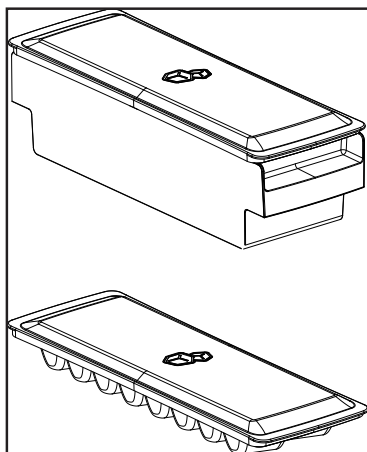
Označuje, že chladnička běží v energeticky úsporném režimu. () Tento ukazatel bude aktivní, pokud nastavíte teplotu prostoru mrazničky na -18 nebo probíhá energeticky úsporné chlazení v rámci funkce Eco-Extra.

	Kontrolka ekonomického využití zhasne, zvolíte-li funkci rychlého chlazení či rychlého mrazení.
---	---

5.2. Zásobník na led

(Volitelně)

- Vyberte ven nádobu na led z mrazáku.
- Naplňte nádobu na led vodou.
- Vložte nádobu na led do mrazničky.
- Led bude připraven asi po dvou hodinách. Vezměte nádobu na led z mrazáku a opatrně ji ohněte nad držákem, který budete podávat. Led snadno vypadne do servírovacího držáku.



5.3. Držák na vajíčka

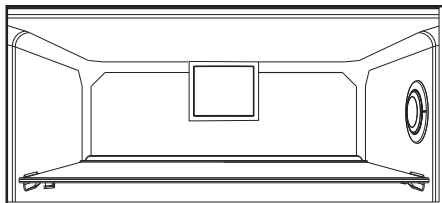
Držák na vajíčka můžete libovolně umístit na držák ve dveřích nebo v chladničce. Pokud jste se rozhodli dát ji na držák v lednici, doporučujeme, abyste použili níže police, nakolik jsou chladnější.



Nedávejte držák na vajíčka do mrazničky.

5.4. Ventilátor

Ventilátor byl navržen tak, aby zajistil cirkulaci chladného vzduchu uvnitř chladničky homogenní. Provozní doba ventilátoru se může lišit v závislosti na funkcích vašeho produktu.



5.5. Zásobník na zeleninu

(Volitelně)

Zásobník na zeleninu produktu je navržen tak, aby zelenina zůstala čerstvá při zachování své vlhkosti. Za tímto účelem je celková cirkulace chladného vzduchu v zásobníku na zeleninu intenzivnější.

5.6. Oddělení Nulového stupně

(Volitelně)

Use this compartment to keep delicatessen
Použijte tento prostor pro udržení lahůdek nebo masných výrobků pro okamžitou spotřebu při nižších teplotách.

Oddělení Nulového stupně je nejlepší místo, kde mohou být uloženy v ideálních podmínkách skladování potraviny, jako jsou mléčné výrobky, maso, ryby a kuře. Neskladujte zeleninu a/nebo ovoce v tomto prostoru.

Tlačítko pro Nastavení teploty

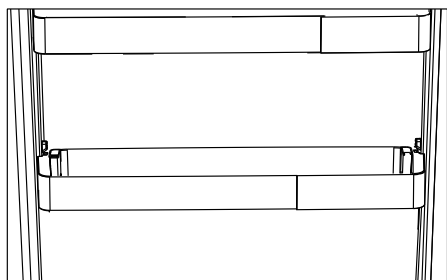
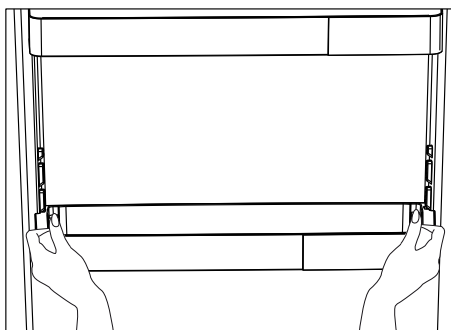
5.7. Pohyblivý stojan ve dveřích (Volitelně)

Pohyblivý stojan ve dveřích lze upevnit do 3 různých poloh.

Pro přesun stojanu, rovnoměrně stiskněte boční tlačítka. Se stojanem bude možné pohybovat.

Posuňte stojan směrem nahoru nebo dolů.

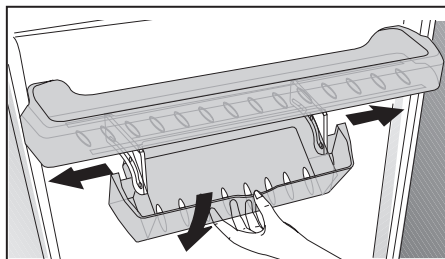
Když je stojan v požadované pozici, uvolněte tlačítka. Po uvolnění tlačítek bude stojan opět pevný na své pozici.



5.8. Posuvná odkládací schránka (Volitelně)

Tento doplněk byl navržen pro zvýšení objemu využití dveřních stojanů.

Díky své schopnosti pohybování se do stran, vám umožní snadno umístit dlouhé lahve, sklenice nebo krabice, které jste vložili do poličky pro láhve níže.



Tlačítko pro Nastavení teploty

5.9. Použití druhého prostoru pro zeleninu a ovoce;



Obrázek 1.

Jak je znázorněno na obrázku, u spotřebiče modelu K70560 druhý prostor pro zeleninu a ovoce je vybaven 2 zářkami.



Obrázek 2.

Po uzavření druhý prostor pro zeleninu a ovoce vypadá, jak je znázorněno na obrázku 2.



Obrázek 3.

Otevřete dvířka do úhlu 90° a vytáhněte druhý prostor až po první zářku, jak je znázorněno na obrázku 3.

V případě, že je zásuvka více otevřená, nejdřív zkuste otevřít dvířka do úhlu aspoň 135°.



Pak podle obrázku 4 nadzvedněte druhý prostor přibližně o 5 mm tak, aby se uvolnil z první zářky.



Obrázek 4.

Po zvednutí vytáhněte druhý kontejner až po druhou zářku, jak je znázorněno na obrázku 5.

Obrázek 5.

5.10. Pohlcovač pachů

(FreshGuard)

(Volitelně)

Deodorant rychle zápach ve vaší ledničce než stačí prostoupit na povrch. Díky tomuto deodorantu, který se umísťuje na vrchní část prostoru určený pro čerstvé potraviny, se zápach rozpustí a spolu se vzduch je aktivně přenesen do pachového filtru, poté je pročištěný vzduch opět vpuštěn zpět do prostoru pro čerstvé potraviny. Tímto způsobem jsou nechtěné pachy, které se mohou objevit v průběhu skladování potravin v ledničce, odstraněny dříve než prostoupí na povrch. Toho se dosáhne díky větráku, LED světla a zápachového filtru zabudovaného v deodorantu. V běžném provozu, se deodorant zapíná automaticky v pravidelných intervalech.

Chcete-li zachovat optimální výkon, je dobré si nechat zkontrolovat filtr v deodorantu autorizovaným poskytovatelem každých 5 let. Díky větráku zabudovaného v deodorantu je hluk, který uslyšíte během provozu, normální. Pokud otevřete dvířka prostoru pro čerstvé potraviny, když je deodorant zapnutý, větrák se automaticky přeruší a opět zapne jakmile dvířka zavřete. V případě přerušení dodávky proudu se deodorant opět automaticky zapne, v momentě kdy byl přerušen, jakmile je dodávka proudu obnovena.

Informace: Doporučuje se skladovat aromatické potraviny (jako sýry, olivy a další lahůdky) ve svých utěsněných obalech, aby se zabránilo zápachu, který může nastat zamícháním pachů různých potravin. Kromě toho, se také doporučuje rychle vyndat z ledničky zkažené potraviny, jejichž zápach může zkazit další potraviny a tím zamezit zápachu.

Tlačítko pro Nastavení teploty

5.11. Zásobník na zeleninu s kontrolou vlhkosti

(Volitelně)

Pomocí funkce regulace vlhkosti je vlhkost zeleniny a ovoce pod kontrolou a zajistí se tím delší doba čerstvosti potravin.

Jak je to možné, doporučuje se skladovat listovou zeleninu, jako je hlávkový salát a špenát a podobné zeleniny, náchylné na ztrátu vlhkosti ne na svých kořenech, ale ve vodorovné poloze v zeleninovém koši.

Při umísťování zeleniny, uložte těžkou a tvrdou zeleninu na dno a lehkou a měkkou na vrchol, s přihlédnutím na specifické hmotnosti zeleniny.

Nenechávejte zeleninu na zásobníku v igelitových sáčcích. Ponechání v igelitových sáčcích způsobí, že zelenina shnije v krátké době. V situacích, kde kontakt s ostatní zeleninou není vhodný, použijte obalový materiál, jako je papír, který má určitou pórovitost v souladu s hygienou.

Nedávejte plody, které mají vysokou produkci plynu ethylenu, jako jsou hrušky, meruňky, broskve a zejména jablka do společného zeleninového zásobníku s jinou zeleninou a ovocem. Plyn etylen vycházející z těchto plodů může způsobit, že ostatní zelenina a ovoce budou zrást rychleji a začnou hnit v kratším časovém období.

5.12. Automatický výrobek ledu

(Volitelně)

Automat led vám umožní snadno vytvořit led v chladničce. Za účelem získání led z výrobku ledu, vyberte nádržku na vodu z chladicího prostoru, naplňte ji vodou a dejte ji zpět.

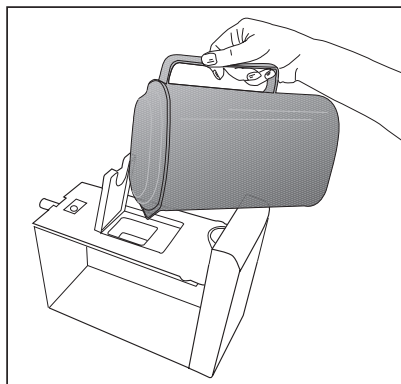
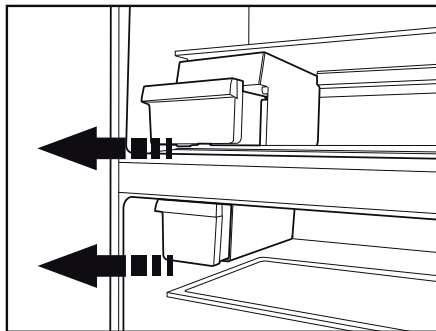
První led bude ve výrobku ledu připraven asi za 2 hodiny v chladicím prostoru.

Po umístění plně vodní nádrže, dokud se zcela nevyprázdní, můžete získat asi 60-70 kostek ledu.

V případě, že voda v nádrži byla déle než 2-3 týdny, vyměňte ji.



U produktů s automatickým výrobníkem ledu, při výrobě ledu můžete slyšet zvuk. Tento zvuk je normální a není známkou poruchy.



Tlačítko pro Nastavení teploty

5.13. Icematic a držák na skladování ledu

*volitelné

Používání výrobku ledu Icematic

Naplňte výrobek ledu Icematic vodou a umístěte ho na jeho místo. Váš led bude připraven asi po dvou hodinách. Pro vyjmutí ledu neodstraňujte Icematic z jeho místa.

Otočte knoflík na ledovém zásobníku ve směru hodinových ručiček o 90 stupňů.

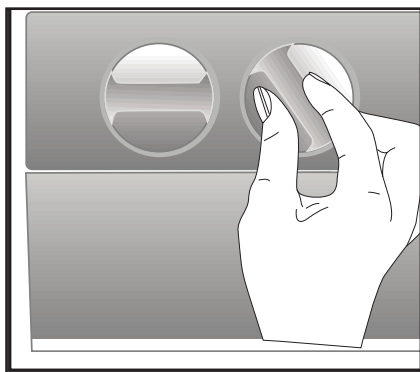
Ledové kostky v nádrži spadnou dolů do níže umístěného držáku ledu.

Následně můžete vybrat držák ledu a podávat ledové kostky.

Pokud chcete, ledové kostky můžete skladovat i v držáku na led.

Držák na skladování ledu

Držák na skladování ledu je určen pouze pro sbírání kostek ledu. Nedávejte do něj vodu. V opačném případě se zlomí.



5.14. Použití dávkovače vody

*volitelné



Je normální, že prvních několik sklenic vody odebraných z dávkovače vody bude obvykle teplých.

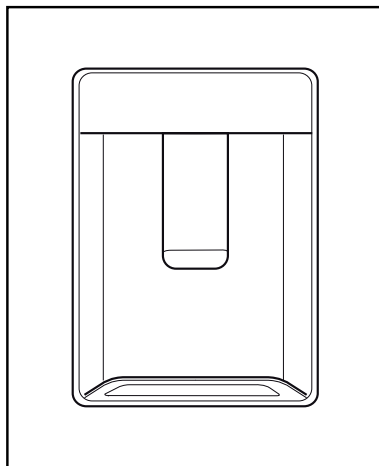


Pokud se dávkovač vody nepoužíval delší dobu, abyste získali čistou vodu, první sklenice vody vylijte.

1. Zatlačte sklenici o páku dávkovače vody. Pokud používáte měkký plastový kelímeček, bude snazší páku stisknout rukou.
2. Po naplnění poháru po požadované úrovni, uvolněte páku.



Upozorňujeme, že z dávkovače vyteče tolik vody, jak daleko potlačíte páku. Když hladina vody ve Vaší šálku / sklenici stoupne, jemně snižte množství tlaku na páku, abyste zabránili přetečení. Pokud páku lehce stisknete, bude kapat voda; to je zcela normální a nejde o poruchu.



Tlačítko pro Nastavení teploty

5.15. Plnění nádrže dávkovače na vodu

Plnicí nádrž Vodní nádrže je umístěna uvnitř stojanu dveří.

1. Otevřete kryt nádrže.
2. Naplňte nádrž čerstvou pitnou vodou.
3. Zavřete kryt.



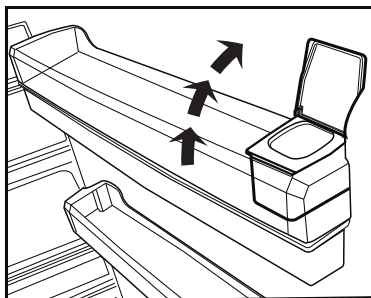
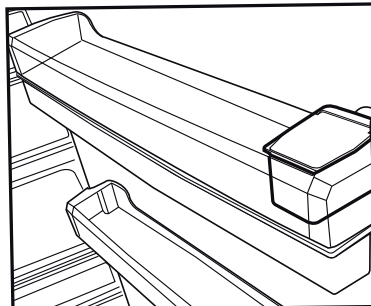
Neplňte nádrž na vodu s jinou kapalinou kromě vody, jako jsou například ovocné džusy, sycené nápoje a alkoholické nápoje, které nejsou vhodné pro použití v dávkovači vody. V případě použití těchto druhů kapalin se dávkovač vody nenapravitelně poškodí. Záruka se nevztahuje na takové použití. Některé chemické látky a přísady obsažené v těchto druhů nápojů / kapalin mohou poškodit nádržku na vodu.



Používejte pouze čistou pitnou vodu.



Kapacita nádrže na vodu je 3 litry; nepřepĺňujte ji.



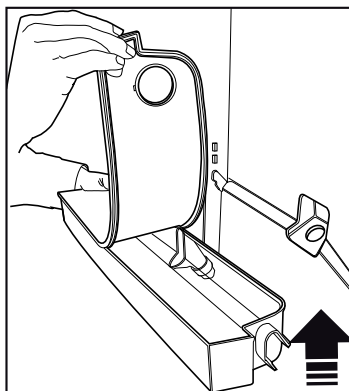
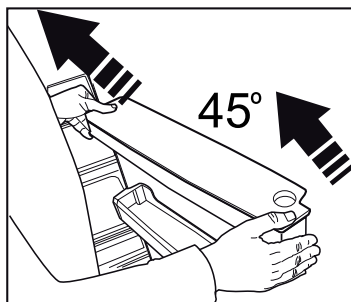
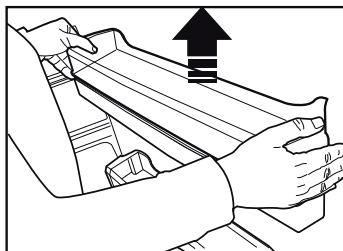
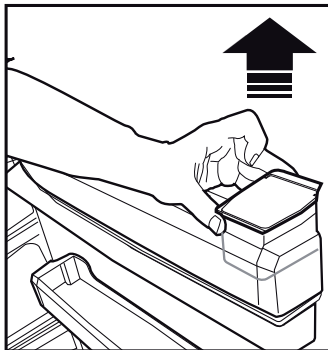
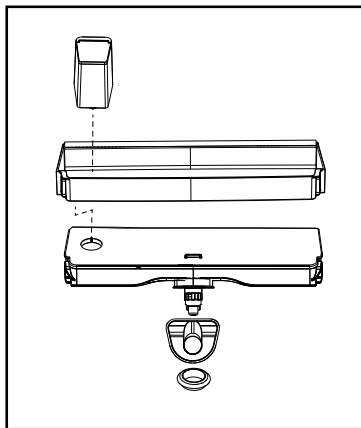
Tlačítko pro Nastavení teploty

5.16. Čištění nádrže na vodu

1. Vyberte nádrž na vodu uvnitř rámu dveří.
2. Odstraňte rám dveří jejich přidržením z obou stran.
3. Chyťte nádržku na vodu z obou stran a odstraňte ji pod úhlem 45 ° C.
4. Odstraňte kryt zásobníku na vodu a vyčistěte nádrž.



Součástí nádrže na vodu a dávkovač vody nemyjte v myčce nádobí.



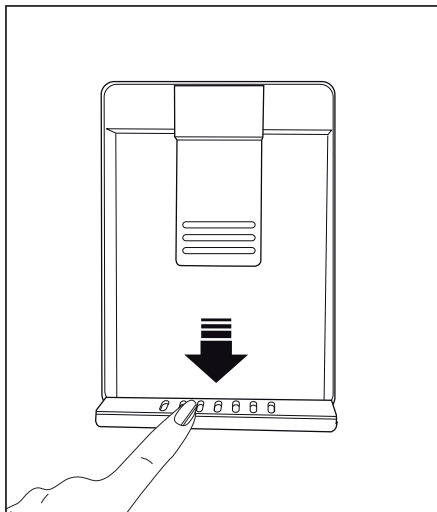
Tlačítko pro Nastavení teploty

5.17. Odkapávací zásobník

Voda, která při použití dávkovače vody vykvapkala, se hromadí v odkapávacím zásobníku.

Odstraňte plastový filtr, jak je znázorněno na obrázku.

S čistým a suchým hadříkem odstraňte nahromaděnou vodu.



HerbBox/HerbFresh

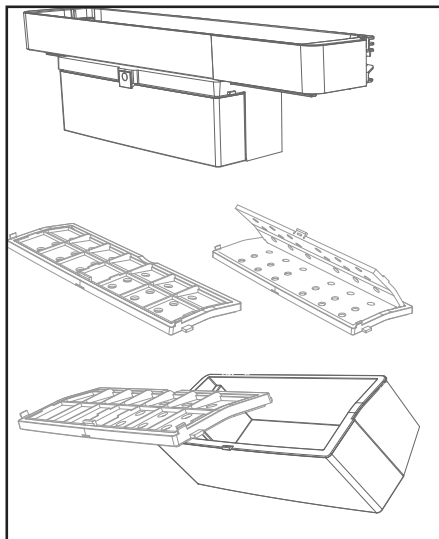
Vyberte filmový zásobník z HerbBox/HerbFresh +

Odstraňte film ze sáčku a vložte jej do filmového zásobníku, jak je znázorněno na obrázku.

Opět uzavřete zásobník a vložte jej zpět do jednotky HerbBox/HerbFresh +

Části HerbBox / HerbFresh + jsou obzvláště vhodné pro skladování různých bylin, které mají být uchovávány v citlivých podmínkách. Můžete ukládat své nezabalené bylinky (petržel, kopr, atd.) do této části horizontálně a udržet jejich čerstvost mnohem delší dobu.

Film se nahrazuje každých šest měsíců.



Tlačítko pro Nastavení teploty

5.18. Zmrazování čerstvých potravin

- Pokud chcete zachovat kvalitu potravin, potraviny umístěné v mrazničce musí být zmrazené tak rychle, jak je to možné, z toho důvodu použijte funkci rychlého zmrazení.
- Zmrazení potravin v čerstvém stavu prodlouží dobu jejich skladování v mrazničce.
- Zabalte potraviny do vzduchotěsných balení a těsně jejich uzavřete.
- Ujistěte se, že potraviny jsou před vložením do mrazničky zabalené. Místo tradičního obalového papíru použijte krabice do mrazáku, staniol a papír odolný proti vlhkosti, igelitové sáčky nebo podobné obalové materiály.



Led se v mrazící části taje automaticky.

- Před zmrazením označte každé balení potravin napsáním data na jejich obal. To vám umožní určit čerstvost každého balení při každém otevření mrazničky. Udržujte dřívější položky potravin v přední části, abyste zajistili, že budou použity jako první.
- Zmrazené potraviny musí být použity ihned po rozmrazení a neměly by být znovu zmrazeny.
- Nezmrazujte velké množství potravin najednou.

5.19. Doporučení pro skladování zmrazených potravin

Chladicí prostor musí být nastaven na méně než -18 °C.

1. Umístěte potraviny do mrazničky co nejrychleji, aby nedošlo k jejich rozmrazení.
2. Před zmrazením zkontrolujte položku "Datum spotřeby" na obalu, abyste zjistili, že ještě nevypršela.
3. Ujistěte se, že balení potravin není poškozeno.

Nastavení teploty Mrazicího prostoru	Nastavení teploty Chladicího prostoru	Podrobnosti
-18°C	4°C	Toto je výchozí, doporučené nastavení.
-20,-22 nebo 24°C	4°C	Tyto nastavení se doporučují pro teploty nad 30 ° C.
Quick Freeze - Rychlé mrazení	4°C	Použijte, když chcete zmrazit vaše potraviny krátké době. Po ukončení procesu se produkt vrátí do své předchozí pozice.
-18 ° C nebo nižší	2°C	Použijte toto nastavení, pokud si myslíte, že chladicí prostor není dostatečně studený vzhledem k teplotě prostředí nebo časté otevírání dveří.

Tlačítko pro Nastavení teploty

5.20. Podrobnosti o mrazničce

Podle norem IEC 62552, mraznička musí mít schopnost zmrazit 4,5 kg potravin na teplotu -18 °C nebo nižší do 24 hodin na každých 100 litrů objemu mrazicího prostoru.

Potraviny mohou být zachovány po delší dobu pouze při teplotě do teploty -18 °C.

Potraviny můžete udržovat čerstvé po dobu několika měsíců (v mrazničce na nebo pod teplotou -18 °C).

Potraviny které mají být zmrazeny nesmí přijít do kontaktu s již zmrazenými potravinami uvnitř mrazničky z důvodu zabránění jejich částečnému rozmrazení.

Zeleninu uvařte a vodu odfiltrujte pro prodloužení doby zmrazeného skladování. Po filtraci dejte jídlo do vzduchotěsných balení a umístěte jej v mrazničce. Banány, rajčata, hlávkový salát, celer, vařené vejce, brambory a podobné potraviny nezmrazujte. V opačném případě tyto potraviny shnijí a budou ovlivněny jejich nutriční hodnoty a kvalita jídla. To, že hniloba ohrožuje i lidské zdraví, není sporné.

5.21. Umístění jídla

Police v mrazicí části	Různý mražené zboží jako jsou maso, ryby, zmrzlina, zelenina apod.
Police v chladicí části	Potraviny v hrnci, talíře a krabice s víčky, vejce (v krabicích s víčkem)
Police v dveřích chladicí části	Malé a balené potraviny nebo nápoje
Zásobník na zeleninu	Ovoce a zelenina
Část pro čerstvé potraviny	Lahůdky (potraviny pro snídani, masné výrobky, které mají být konzumovány v krátké době)

5.22. Upozornění na otevřené dveře

(Volitelně)

Pokud dveře výrobku zůstanou otevřené, po dobu alespoň 1 minuty, zazní akustické upozornění. Akustický upozornění ztichne, když jsou dveře zavřené nebo po stisknutí libovolného tlačítka na displeji (pokud je k dispozici).

Upozornění na otevřené dveře je indikováno uživateli tak akusticky, tak vizuálně. Pokud alarm pokračuje po dobu 10 min, osvětlení interiéru vypne.

5.23. Změna směru otevírání dveří

Směr otevírání dveří vaší chladničky můžete změnit v závislosti na jejím místě použití.

Když tak potřebujete udělat, obraťte se na nejbližší Autorizovaný servis.

Výše uvedené vysvětlení je obecné prohlášení. O možnosti změny směru otevírání dveří zkontrolujte štítek s upozorněním umístěný uvnitř obalu.

5.24. Vnitřní osvětlení

Ve vnitřním osvětlení se používá LED lampa.

V případě jakýchkoliv problémů s touto lampou se obraťte na autorizovaný servis.

Lampa/y, použité v tomto zařízení není možné použít pro osvětlení domu. Účel použití tohoto světla je pomoci uživateli umístit potraviny do chladničky / mrazničky bezpečně a pohodlně.

Tlačítko pro Nastavení teploty

5.25. Modré světlo/HarvestFresh

***Nemusí být k dispozici pro všechny modely**

Pro modré světlo,

Ovoce a zelenina uložené v přihrádce na ovoce a zeleninu, které jsou osvětleny modrým světlem, pokračují ve své fotosyntéze účinkem vlnové délky modrého světla a zachovávají si tak obsah vitamínů.

Pro HarvestFresh,

Ovoce a zelenina uložené v přihrádce na ovoce a zeleninu které jsou osvětleny technologií HarvestFresh si zachovávají své vitamíny déle díky cyklu s modrým, zeleným, červeným světlem a tmou, které simulují denní cyklus. Pokud otevřete dvířka chladničky v tmavém období technologie HarvestFresh, chladnička to automaticky detekuje a rozsvítí modro-zelené nebo červené světlo, aby osvětlovala přihrádku na ovoce a zeleninu pro vaše pohodlí. Po zavření dvířek chladničky bude tmavá perioda pokračovat a bude představovat noční čas v denním cyklu.

5.26.Nádobka na mléko (chladící zóna)

Poskytuje nižší teplotu než přihrádka chladničky. Tuto nádobku použijte na uskladnění lahůdek (salámy, klobásy, mléčné výrobky atd.), které vyžadují nižší skladovací teplotu, nebo k okamžité konzumaci masných, kuřecích nebo rybích výrobků. Neskladujte v této nádobce ovoce a zeleninu.

Při pravidelném čištění se zvýší životnost výrobku.



VAROVÁNÍ: Před čištěním chladničky produkt nejprve odpojte z elektrické sítě.

- K čištění nikdy nepoužívejte ostré nebo brusné nástroje, mýdlo, domácí čisticí prostředky a voskové čisticí prostředky.
- Rozpusťte jednu lžičku karbonátu v půl litru vody. Namočte hadřík do roztoku a důkladně ji vyždímejte. Otrěte vnitřek spotřebiče s touto látkou a vysušte ho.
- Ujistěte se, aby se o tělesa osvětlení a jiných elektrických předmětů nedostala žádná voda.
- Očistěte dveře pomocí vlhkého hadříku. Chcete-li odstranit police ve dveřích a hlavní police, odstraňte veškerý jejich obsah. Vyberte police dveří jejich posunutím směrem nahoru. Po očištění, k uložení je vložte směrem shora dolů.
- Pro čištění vnějších povrchů a pochromovaných součástí výrobku nikdy nepoužívejte čisticí prostředky ani vodu s obsahem chloru. Chlor způsobuje korozi kovových povrchů.
- Pro zabránění odstranění a deformaci nápisů na plastových dílech, nepoužívejte žádné ostré, brusné nástroje, mýdlo, čisticí prostředky pro domácnost, čisticí prostředky, petrolej, topný olej, laky atd. K čištění použijte vlažnou vodu a měkký hadřík a otřete je do sucha.

6.1. Zabránění vzniku nepříjemných pachů

Při výrobě našich zařízení se nepoužívají materiály, které mohou způsobit zápach. Nicméně, nevhodné podmínky pro zachování potravin a zanedbání čištění vnitřního povrchu zařízení v potřebné míře může způsobit problém zápachu.

Proto ledničku čistěte karbonáty rozpuštěným ve vodě každých 15 dní.

- Potraviny uchovávejte v uzavřených nádobách. Mikroorganismy šířící se z nekrýtkých nádob mohou způsobit nepříjemné pachy.
- Nikdy neskladujte jídlo, kterým vypršela trvanlivost a jsou rozlitá v chladničce.

6.2. Ochrana plastových povrchů

Okamžitě očistěte s teplou vodou, protože olej nanesený na plastové povrchy může způsobit poškození povrchu.

6.3. Dveřní skla

Ze skel odstraňte ochrannou fólii.

Na povrchu skla se nachází povlak. Tento povlak minimalizuje vznik skvrn a pomáhá snadno odstranit případné nečistoty a skvrny. Skla, které nejsou chráněny takovým povlakem mohou být vystaveny trvalým organickým nebo anorganickým nečistotám na bázi vzduchu nebo vody, jako jsou vodní kámen, minerální soli, nespálené uhlovodíky, oxidy kovů a silikony, které snadno a rychle způsobují skvrny nebo materiální škody. Udržování skla v čistém stavu se stává příliš těžkým, navzdory pravidelnému čištění. V důsledku toho, vzhled a transparentnost skla se zhoršuje. Drsné a žíravé metody čištění a sloučeniny zintenzivňují tyto vady a urychlují proces zhoršování se.

Pro běžné čisticí účely použijte čisticí prostředky na vodní bázi, které nejsou zásadité a korozivní.

K čištění použijte nealkoholické a nekorozivní materiály, abyste zachovali povlak po dlouhou dobu.

Skla jsou temperovaná pro zvýšení jejich odolnosti proti nárazům a lámání.

Na jejich zadní ploše byla také aplikována bezpečnostní fólie, jako další bezpečnostní opatření pro zabránění poškození jejich okolí v případě jejich rozbití.

* Alkálie je báze, která při rozpuštění ve vodě tvoří hydroxidové ionty (OH).

Kovy Li (lithium), Na (sodík), K (draslík) Rb (rubidium), Cs (cesium), a umělý a radioaktivní Fr (Francium) se nazývají alkalické kovy.

7 Řešení problémů

Než se obrátíte na servis, viz následující seznam. Může Vám to ušetřit čas i peníze. Tento seznam obsahuje časté stížnosti, které nejsou spojeny s chybným zpracováním nebo poškozením materiálu. Některé funkce uvedené v tomto dokumentu se nemusí vztahovat na váš produkt.

Chladnička nefunguje.

Zástrčka není úplně nasazena. >>> Zapojte ji úplně do zásuvky.

Pojistka připojená do zásuvky která napájí produkt nebo hlavní pojistka je spálená. >>> Zkontrolujte pojistky.

Kondenzace na boční stěně chladicího prostoru (MULTI ZÓNA, CHLADÍCÍ, KONTROLNÍ a FLEXI ZÓNA).

- Dveře se otevírají příliš často >>> Dbejte na to, abyste dveře výrobku neotvírali příliš často.
- Prostředí je příliš vlhké. >>> Neinstalujte výrobek ve vlhkém prostředí.
- Potraviny obsahující tekutiny jsou uchovávány v neuzavřených nádobách. >>> Uchovávejte potraviny, které obsahují tekutiny v uzavřených nádobách.
- Dveře výrobku byly ponechány otevřené. >>> Nenechávejte dveře chladničky otevřené po delší dobu.
- Termostat je nastaven na příliš nízkou teplotu. >>> Nastavte termostat na vhodnou teplotu.

Kompresor nepracuje.

- V případě náhlého výpadku proudu nebo vytažení napájecího kabelu a po jeho opětovném připojení tlak plynu v chladicím systému výrobku není vyvážený, což spustí tepelný jistič kompresoru. Produkt se restartuje po přibližně 6 minutách. Když se výrobek po uplynutí této doby restartován, obraťte se na servis.
- Je aktivní rozmrazování. >>> To je normální pro chladničku s plně automatickým rozmrazováním. Odmrazování se provádí pravidelně.
- Produkt není zapojen do elektrické sítě >>> Ujistěte se, že napájecí kabel je zapojen.
- Nastavení teploty je nesprávné. >>> Zvolte odpovídající nastavení teploty.
- Není proud. >>> Produkt bude nadále fungovat normálně po obnovení napájení.

Provozní hluk chladničky se při používání zvyšuje.

- Provozní výsledky tohoto výrobku se mohou lišit v závislosti na změnách teploty okolního prostředí. To je normální a nejedná se o závadu.

Chladnička běží příliš často nebo příliš dlouho.

Řešení problémů

- Nový výrobek může být větší než ten předchozí. Větší výrobky budou pracovat po delší dobu.
- Teplota v místnosti může být vysoká. > > > Výrobek bude v místnosti s vyšší teplotou spuštěn po delší dobu.
- Výrobek mohl být zapojen nedávno nebo v něm byly umístěny nové položky potravin. > > > Výrobek dosáhne nastavenou teplotu déle, když byl jen právě zapojen nebo do něj byly umístěny nové potraviny. To je normální.
- Do výrobku bylo v poslední době umístěno velké množství teplého jídla. > > > Nepokládejte horké jídlo do výrobku.
- Dveře byly často otevřené nebo zůstaly otevřené po delší dobu. > > > Teplý vzduch pohybující se uvnitř způsobí, že výrobek bude v provozu déle. Neotvírejte dveře chladničky příliš často.
- Dveře mrazničky nebo chladničky mohli zůstat pootevřené. > > > Zkontrolujte, zda jsou dveře úplně zavřené.
- Výrobek může být nastaven na příliš nízkou teplotu. > > > Nastavte teplotu na vyšší stupeň a počkejte, až výrobek dosáhne nastavenou teplotu.
- Podložky dveří chladničky nebo mrazničky mohou být špinavé, opotřebované, rozbité nebo nesprávně nasazené. > > > Vyčistěte nebo vyměňte podložky. Poškozené / roztrhané podložky dveří způsobí, že výrobek bude běžet delší dobu pro zachování aktuální teploty.

Teplota mražení je velmi nízká, ale teplota chladiče je dostačující.

- Teplota prostoru mrazničky je nastavena na velmi nízký stupeň. > > > Nastavte teplotu v mrazničce na vyšší stupeň a znovu zkontrolujte.

Teplota chlazení je velmi nízká, ale teplota mrazničky je dostačující.

- Teplota prostoru chladničky je nastavena na velmi nízký stupeň. > > > Nastavte teplotu v chladničce na vyšší stupeň a znovu zkontrolujte.

Potraviny uchovávané v chladnějším zásuvek prostor jsou zmrazeny.

- Teplota prostoru chladničky je nastavena na velmi nízký stupeň. > > > Nastavte teplotu v mrazničce na vyšší stupeň a znovu zkontrolujte.

Řešení problémů

Teplota v chladničce nebo v mrazničce je příliš vysoká.

- Teplota prostoru chladničky je nastavena na velmi vysoký stupeň. >>> Nastavení teploty chladicí části ovlivňuje teplotu v mrazničce. Změňte teplotu v chladicí nebo mrazicí části a počkejte, dokud příslušné přihrádky dosáhnou nastavenou úroveň teploty.
- Dveře byly často otevřené nebo zůstaly otevřené po delší dobu. >>> Neotvírejte dveře chladničky příliš často.
- Dveře mohou být pootevřena. >>> Úplně zavřete dveře.
- Produkt mohl být zapojen nedávno nebo v něm byly umístěny nové položky potravin. >>> To je normální. Výrobek dosáhne nastavenou teplotu déle, když byl jen právě zapojen nebo do něj byly umístěny nové potraviny.
- Do výrobku bylo v poslední době umístěno velké množství teplého jídla. >>> Nepokládejte horké jídlo do výrobku.

Třese se nebo vydává hluk.

- Podlaha není ve vodováze nebo není odolná. >>> Pokud se výrobek třese, když se pomalu pohybuje, nastavte stojany na vyrovnaní výrobku. >>> Ujistěte se také, že podlaha je dostatečně odolná k tomu, aby unesla produkt.
- Všechny položky umístěné na výrobku mohou způsobit hluk. >>> Odstraňte všechny položky umístěné na výrobku.

Výrobek vytváří hluk tekoucí, stříkající kapalinou apod.

- Princip fungování tohoto výrobku je založen na toku kapalin a plynu. >>> To je normální a nejedná se o závadu.

Z výrobku zní zvuk jako vanoucí vítr.

- Výrobek pro proces chlazení používá ventilátor. To je normální a nejedná se o závadu.

Na vnitřních stěnách výrobku se vytvořil kondenzát.

- Horké nebo vlhké počasí zvýší námrazu a kondenzaci. To je normální a nejedná se o závadu.
- Dveře byly často otevřené nebo zůstaly otevřené po delší dobu. >>> Neotvírejte dveře příliš často, pokud zůstaly otevřeny, zavřete je.
- Dveře mohou být pootevřena. >>> Úplně zavřete dveře.

Vytváří se kondenzát na vnější straně výrobku nebo mezi dveřmi.

- Okolní prostředí může být vlhké, je to naprosto normální ve vlhkém počasí. >>> Kondenzace se rozptýlí, když se sníží vlhkost.

Interiér zapáchá.

- Produkt není pravidelně čištěn. >>> Pravidelně čistěte vnitřek pomocí houbičky, teplé vody a sycené vody.
- Některé balení a obalové materiály může způsobit zápach. >>> Používejte balení a obalové materiály bez zápachu.
- Potraviny byly umístěny v neuzavřených baleních. >>> Uchovávejte potraviny v uzavřených obalech. Mikroorganismy se mohou z neuzavřených potravin rozšířit a způsobit zápach.
- Z výrobku odstraňte všechny potraviny se zašlým datem spotřeby a zkažené potraviny.

Řešení problémů

Dveře se nezavírají.

- Balíčky s potravinami mohou blokovat dveře. >>> Přemístěte předměty blokující dveře.
- Produkt nestojí ve zcela svislé poloze na zemi. >>> Nastavte stojany pro uvedení výrobku do svislé polohy.
- Podlaha není ve vodováze nebo není odolná. >>> Ujistěte se, že podlaha je vyvážená a dostatečně odolná k tomu, aby unesla produkt.

Zásobník na zeleninu se zasekl.

- Potraviny mohou být v kontaktu s horní částí zásobníku. >>> Reorganizujte potraviny v šuplíku.

Pokud Je Povrch Produktu Horký

- Když je zařízení v provozu, lze pozorovat vysoké teploty mezi dvěma dvířky, na postranních panelech a na zadním grilu. To je běžné a není to důvod pro servisní údržbu!. Při kontaktu s těmito plochami buďte opatrní.



UPOZORNĚNÍ: Pokud problém přetrvává i po provedení pokynů v této části, obraťte se na svého prodejce nebo na autorizovaný servis. Nepokoušejte se opravit produkt.

VYLOUČENÍ ODPOVĚDNOSTI / UPOZORNĚNÍ

Některé (jednoduché) poruchy může vhodně vyřešit sám koncový uživatel, aniž by byla ohrožena bezpečnost nebo bezpečné používání, ovšem za podmínky, že je oprava provedena v mezích a v souladu s následujícími pokyny (viz část „Vlastní oprava“).

Proto pokud není dovoleno jinak v části „Vlastní oprava“ níže, opravy je nutné svěřit registrovaným odborným opravárnám, aby nedošlo k ohrožení bezpečnosti. Registrovaná odborná opravna je odborný servis, který získal oprávnění přístupu k pokynům a soupisu náhradních dílů k tomuto výrobku od výrobce, v souladu s postupy uvedenými v legislativních ustanoveních podle Směrnice 2009/125/EC.

Ovšem záruční opravy může provádět pouze ten servis (tedy oprávněná odborná opravna), jehož telefonní číslo naleznete v návodu/v záručním listě nebo získáte u svého autorizovaného prodejce.

Upozorňujeme tedy, že opravy provedené odbornými servisy (které nejsou společností Beko oprávněny) vedou k porušení záruky.

Vlastní oprava

Konečný uživatel může provést samoopravu, pokud jde o tyto náhradní díly: klika dveří, závěsy dveří, podnosy, koše a těsnění dveří (aktualizovaný seznam je k dispozici také na webové stránce support.beko.com k 1. březnu 2021).

Dále musí být uvedené vlastní opravy, s cílem zajistit bezpečnost výrobku a zabránit riziku vážného zranění, provedeny podle pokynů v návodu pro vlastní opravy nebo podle pokynů, které jsou k dispozici na support.beko.com. Z bezpečnostních důvodů před provedením jakékoli opravy odpojte produkt z elektrické sítě.

Opravy nebo pokusy o opravu provedené koncovými uživateli u dílů, které nejsou součástí tohoto soupisu, nebo které nejsou v souladu s pokyny v návodu pro vlastní opravy nebo s pokyny, které jsou k dispozici na support.beko.com, mohou vést ke vzniku bezpečnostních rizik, která nespádají do odpovědnosti společnosti Beko a vedou k propadnutí záruky na výrobek.

Proto velmi doporučujeme, aby se koncoví uživatelé nepokoušeli provádět opravy, které nespádají do uvedeného soupisu náhradních dílů, a aby se v takovém případě obrátili na autorizované odborné opravny nebo registrované odborné opraváře. Tyto pokusy ze strany koncových uživatelů mohou naopak vést k ohrožení bezpečnosti a poškození výrobku a následně ke vzniku požáru, zatopení, úrazu elektřinou a vážnému zranění osob.

Například, mimo jiné, následující opravy musí být adresovány autorizovanému profesionálnímu opraváři nebo registrovanému profesionálnímu opraváři: kompresor, chladicí okruh, hlavní panel, panel invertoru, panel displeje atd.

Výrobce/prodávající nemůže být v žádném případě odpovědný za případ, kdy koncoví uživatelé nedodrží výše uvedená ustanovení.

Dostupnost náhradních dílů pro chladničku je 10 let.

Během této doby budou k dispozici originální náhradní díly pro správné chladničku.

Minimální záruční doba na vámi zakoupenou ledničku je 24 měsíců.

Pred použitím produktu si pozorne prečítajte tento návod na obsluhu.

Vážení zákazníci,

Chceme Vám poskytnúť možnosť najlepšieho použitia nášho výrobku, ktorý bol vyrobený v moderných zariadeniach so starostlivosťou a dôkladnou kontrolou kvality.



Tiež, pred použitím výrobku Vám odporúčame prečítať si celý návod na použitie. V prípade odpredaja výrobku, nezabudnite odovzdať návod jeho novému majiteľovi spoločne s výrobkom.

Táto príručka vám pomôže aby ste mohli výrobok používať rýchlo a bezpečne.

- Pred inštaláciou a použitím výrobku si prosím pozorne prečítajte užívateľskú príručku.
- Vždy dodržujte platné bezpečnostné predpisy.
- Majte užívateľskú príručku v dosahu pre budúce použitie.
- Prečítajte si prosím všetky ďalšie dokumenty dodané s výrobkom.

Nezabúdajte, že táto Užívateľská príručka sa môže vzťahovať na viacero modelov výrobkov. Príručka jasne ukáže všetky variácie rôznych modelov.

	Dôležité informácie a užitočné tipy.
	Ohrozenie života a majetku.
	Riziko zranenia elektrickým prúdom.
	Obal tohto výrobku je vyrobený z recyklovateľných materiálov, v súlade s Národnou legislatívou pre životné prostredie.

 INFORMÁCIE	
 The ENERGY label shows the European Union flag, the word "ENERGY" with a lightning bolt, a QR code, and two fields: "SUPPLIER'S NAME" with a green arrow pointing right labeled "A", and "MODEL IDENTIFIER" with a black arrow pointing left labeled "A". A small "(*)" is next to the label.	Informácie o modeli uložené v databáze výrobkov sa dajú získať zadaním nasledujúcej webovej stránky a vyhľadáním identifikátora vášho modelu (*), ktorý je uvedený na energetickom štítku. https://eprel.ec.europa.eu/

1. Bezpečnostné pokyny a životné prostredie 3

- 1. Všeobecná bezpečnosť 3
- 1.1.1 Varovanie HC. 5
- 1.1.2 Pre modely s dávkovačom vody 5
- 1.2. Účel použitia 5
- 1.3. Bezpečnosť detí 5
- 1.4. Súlad so smernicou WEEE a Odstránenie odpadov výrobku 6
- 1.5. 3 so smernicou RoHS 6
- 1.6. Informácie o balení 6

2 Vaša chladnička 7

3 Inštalácia 8

- 3.1. Správne miesto pre inštaláciu 8
- 3.2. Pripojenie plastových klínov 8
- 3.3. Nastavenie stojanov 8
- 3.4. Pripojenie napájania 9

4 Príprava 10

- 4.1. Čo urobiť pre úsporu energie 10
- 4.2. Prvé uvedenie do prevádzky 10

5 Tlačidlo pre Nastavenie teploty 11

- 5.1. Panel ukazovateľov 11
- 5.2. Zásobník na ľad 14
- 5.3. Držiak na vajčička 14
- 5.4. Ventilátor 14
- 5.5. Zásobník na zeleninu 14
- 5.6. Oddelenia Nulového stupňa 15
- 5.7. Pohyblivý stojan vo dverách 15
- 5.8. Posuvná odkladacia schránka 16
- 5.9. Dezodorizačný modul 16
- 5.10. Používanie druhého priečinka na zeleninu a ovocie; 17
- 5.11. Zásobník na zeleninu s kontrolou vlhkosti 18
- 5.12. Automatický výrobnik ľadu 18
- 5.13. Icematic a držiak na skladovanie ľadu. 19
- 5.14. Používanie dávkovača na vodu 19
- 5.15. Plnenie nádrže dávkovača na vodu 20
- 5.16. Čistenie nádrže na vodu 21

- 5.17. Odkvapkávacia miska. 22
- 5.18. Zmrazovanie čerstvých potravín 23
- 5.19. Odporúčania pre skladovanie zmrazených potravín 23
- 5.20. Podrobnosti o mrazničke 24
- 5.21. Umiestnenie jedla 24
- 5.22. Upozornenie na otvorené dvere. 24
- 5.23. Zmena smeru otvárania dverí 24
- 5.24. Vnútorne osvetlenie 24
- 5.25. Modré svetlo/HarvestFresh 25
- 5.26. Nádobka na mlieko (chladiaca zóna) 25

6 Údržba a čistenie 26

- 6.1. Zabránenie vzniku nepríjemných pachov 26
- 6.2. Ochrana plastových povrchov 26
- 6.3. Dverové sklá 26

7 Riešenie problémov 27

Táto časť obsahuje bezpečnostné pokyny nevyhnutné pre zabránenie nebezpečenstvu zranení a materiálnych škôd. Nedodržaním týchto pokynov zanikajú všetky typy záruky výrobu.

Určené použitie

UPOZORNENIE:

Udržujte vetracie otvory na kryte prístroja alebo v konštrukcii zabudovania bez prekážok.

UPOZORNENIE:

Nepoužívajte mechanické nástroje alebo iné prostriedky na urýchlenie procesu odmrazenia, okrem tých, ktoré odporúča výrobca.

UPOZORNENIE:

Nepoškodzuje chladiaci okruh.

UPOZORNENIE:

Nepoužívajte elektrické spotrebiče vo vnútri priestoru na potraviny, iba ak sú doporučené výrobcom.

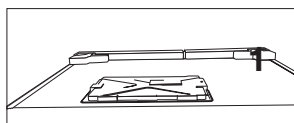
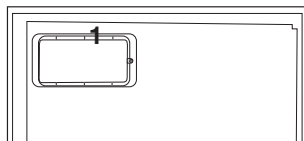


Toto zariadenie je určené pre použitie v domácnosti a v podobných podmienkach, ako sú napríklad

- Kuchynské miestnosti pre personál v obchodoch, kanceláriách a v iných pracovných prostrediach;
- farmárske domy a klienti v hoteloch, moteloch a iných typoch bytových zariadení;
- v ubytovacích zariadeniach typu bed and breakfast;
- stravovacie a podobné zariadenia neobchodného typu.

1.1. Všeobecná bezpečnosť

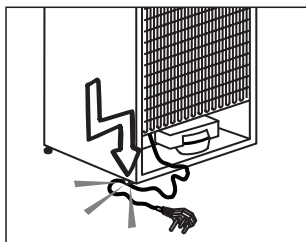
- Tento produkt by nemali používať osoby s telesným, zmyslovým a mentálnym postihnutím, osoby bez dostatočných znalostí a skúseností, alebo deti. Zariadenie môžu tieto osoby používať len pod dohľadom a po poučení osobou zodpovednou za ich bezpečnosť. Nedovoľte deťom hrať sa s týmto zariadením.
- V prípade poruchy prístroj odpojte.
- Po odpojení počkajte najmenej 5 minút pred opätovným pripojením. Odpojte výrobok, keď sa nepoužíva. Nedotýkajte sa zástrčky mokrymi rukami! Pri odpájaní neťahajte za kábel, vždy uchopte zástrčku.
- Nezapájajte chladničku, ak je zásuvka uvoľnená.
- Pri inštalácii, údržbe, čistení a opravách výrobok odpojte.
- Ak sa výrobok nebude dlhší čas používať, odpojte ho a vyberte z neho potraviny.
- Nepoužívajte paru alebo čistiace prostriedky s parou pre čistenie chladničky a topenia ľadu vo vnútri. Para môže prísť do styku s elektrifikovanými oblasťami a spôsobí skrat alebo elektrický šok!
- Neumývajte výrobok striekaním alebo polievaním vodou na neho! Nebezpečenstvo úrazu elektrickým prúdom!
- Nikdy nepoužívajte výrobok, ak časť nachádzajúca sa na hornej alebo zadnej strane výrobku s elektronickou doskou s plošným spojmom vo vnútri je otvorená (krycia doska elektronických plošných spojov) (1).



Bezpečnostné pokyny a životné prostredie

- V prípade jeho poruchy výrobok nepoužívajte, pretože by mohlo dôjsť k úrazu elektrickým prúdom. Pred tým, než čokoľvek urobíte, sa obráťte na autorizovaný servis.
- Výrobok zapájajte do uzemnenej zásuvky. Uzemnenie musí byť vykonané kvalifikovaným elektrikárom.
- Ak produkt má osvetlenie typu LED, pre jeho nahradenie alebo v prípade akéhokoľvek problému sa obráťte na autorizovaný servis.
- Nedotýkajte sa mrazených potravín mokrymi rukami! Môžu sa nalepiť na Vaše ruky!
- Nekladte do mrazničky tekutiny vo fľašiach a plechovkách. Môžu vybuchnúť!
- Tekutiny umiestnite vo vzpriamenej polohe a pevne uzatvorte ich veko.
- Nestriekajte horľavé látky v blízkosti výrobku, nakoľko sa môže zapáliť alebo explodovať.
- Nenechávajte horľavé materiály a produkty s horľavým plynom (spreje, atď.) v chladničke.
- Nekladte nádoby obsahujúce kvapaliny na hornú časť výrobku. Voda striekajúca na elektrifikované časti môže spôsobiť úraz elektrickým prúdom a nebezpečenstvo požiaru.
- Vystavenie produkt dažďu, snehu, slnku a vetru môže spôsobiť elektrické nebezpečenstvo. Pri premiestňovaní výrobku ho neťahajte držaním za rukoväť dverí. Rukoväť sa môže odtrhnúť.
- Dbajte na to, aby nedošlo k zachyteniu akúkoľvek časti vašich rúk či tela do akýchkoľvek z pohybujuúcich sa častí vo vnútri výrobku.
- Nevyliezajte alebo sa neopierajte o dvere, zásuvky a podobné časti chladničky. Môže to mať za následok pád výrobku a spôsobiť poškodenie dielov.
- Dávajte pozor, aby nedošlo k privretiu napájacieho kábla.

- Pri umiestnení zariadenia sa uistite, že napájací kábel nie je zachytený alebo poškodený.
- Neumiestňujte viac prenosných zásuviek alebo prenosných zdrojov napájania vzadu od zariadení.



- Vašu Side-by-Side chladničku je potrebné pripojiť k prípojke na vodu. Ak ešte nie je k dispozícii žiadny vodovodný kohútik a musíte zavolať inštalatéra, nezabudnite: V prípade, že je váš dom vybavený podlahovým kúrením, zväzťe, že vrtanie otvorov do betónového stropu môže tento vykurovací systém poškodiť!
- Deti vo veku od 3 do 8 rokov smú nakladať a vykladať chladiace zariadenia.
- Aby ste predišli znečisteniu jedla, dodržujte prosím nasledujúce pokyny:
 - Ak necháte dvierka otvorené po dlhú dobu, môže to spôsobiť značné zvýšenie teploty v oddeleniach zariadení.
 - Pravidelne čistujte povrchy, ktoré môžu prísť do kontaktu s jedlom, a prístupné odtokové systémy.
 - čistujte nádrže na vodu, pokiaľ neboli používané počas 48 h; prepláchnite vodný systém pripojený k prívodu vody, ak ste nečerpali vodu zo zariadenia počas 5 dní.
 - Surové mäso a ryby uchovávajte v chladničke vo vhodných nádobách, aby neprichádzali do kontaktu s jedlom ani na neho nemohli ukvapnúť.

Bezpečnostné pokyny a životné prostredie

– Oddelenia s dvoma hviezdčkami pre mrazené potraviny sú vhodné pre uchovávanie vopred zmrazených jedál, uchovávanie alebo prípravu zmrzliny a tvorbu kociek ľadu.

– Oddelenia s jednou, dvoma a tromi hviezdčkami nie sú vhodné pre zmrazenie čerstvého jedla.

– Ak je chladiace zariadenie ponechané prázdne po dlhú dobu, vypnite ho, rozmrazte, očistite, osušte a nechajte dverka otvorené, aby ste tak zabránili tvoreniu plesní vo vnútri zariadenia.

1.1.1 Varovanie HC

Ak výrobok obsahuje chladiaci systém v ktorom sa používa plyn R600a, zabezpečte, aby pri používaní a pohybovaní spotrebiča nedošlo k poškodeniu chladiaceho systému a jeho potrubia. Tento plyn je horľavý. Ak je chladiaci systém poškodený, zabezpečte, aby bolo zariadenie mimo dosahu zdrojov ohňa a okamžite vyvetrajte miestnosť.



Štítok na vnútornej ľavej strane označuje druh plynu používaného v produkte.

1.1.2 Pre modely s dávkovačom vody

Tlak pre prívod studenej vody musí byť maximálne 90 psi (620 kPa). Ak je váš tlak vody vyšší ako 80 psi (550 kPa, použite vo vašej sieti ventil na obmedzovanie tlaku. Ak nevíete, ako skontrolovať tlak vody, požiadajte o pomoc profesionálneho inštalátora.

- Ak pri inštalácii existuje riziko vodného rázu, vždy použite preventívne zariadenia proti vodnému rázu. Ak ste si nie je istý, či vo Vašej sieti je efekt vodného rázu, poraďte sa s profesionálnym inštalátorom.

Neinštalujte na prívode pre teplú vodu. Vykonajte nevyhnutné opatrenia proti riziku zamrznutia hadíc. Prevádzkový interval teplota vody musí byť medzi minimálne 33 ° F (0,6 ° C) a maximálne 100 ° F (38 ° C).

- Používajte len pitnú vodu.

1.2. Účel použitia

- Tento výrobok je určený pre domáce použitie. Nie je určený pre komerčné použitie.
- Spotrebič by mal byť používaný iba pre skladovanie potravín a nápojov.
- Do chladničky neukladajte citlivé produkty, ktoré si vyžadujú riadené teploty (očkovacie látky, lieky citlivé na teplo, zdravotnícky materiál, atď.).
- Výrobca nenesie žiadnu zodpovednosť za prípadné škody spôsobené nesprávnym použitím alebo nesprávnou manipuláciou.
- Životnosť výrobku je 10 rokov. Náhradné diely potrebné pre funkčnosť tohoto výrobku budú pre toto obdobie k dispozícii.

1.3. Bezpečnosť detí

- Obalové materiály uchovávajte mimo dosahu detí.
- Nedovoľte deťom, aby sa s výrobkom hrali.
- Ak je na dverách výrobku zámok, kľúč držte mimo dosahu detí.

Bezpečnostné pokyny a životné prostredie

1.4. Súlad so smernicou WEEE a Odstránenie odpadov výrobku

Tento výrobok spĺňa požiadavky smernice WEEE EÚ (2012/19/EU). Na tomto prírodke je zobrazený symbol klasifikácie odpadu elektrických a elektronických zariadení (OEEZ).



Tento výrobok bol vyrobený z vysoko kvalitných materiálov a komponentov, ktoré sa dajú opätovne použiť a ktoré sú vhodné pre recykláciu. Na konci svojej životnosti spotrebič nevyhadzujte spolu s bežnými

domácimi a inými odpadmi. Odneste ho do zberného centra pre recykláciu elektrických a elektronických zariadení. Pre informácie o týchto zberných strediskách sa prosím obráťte na miestne úrady.

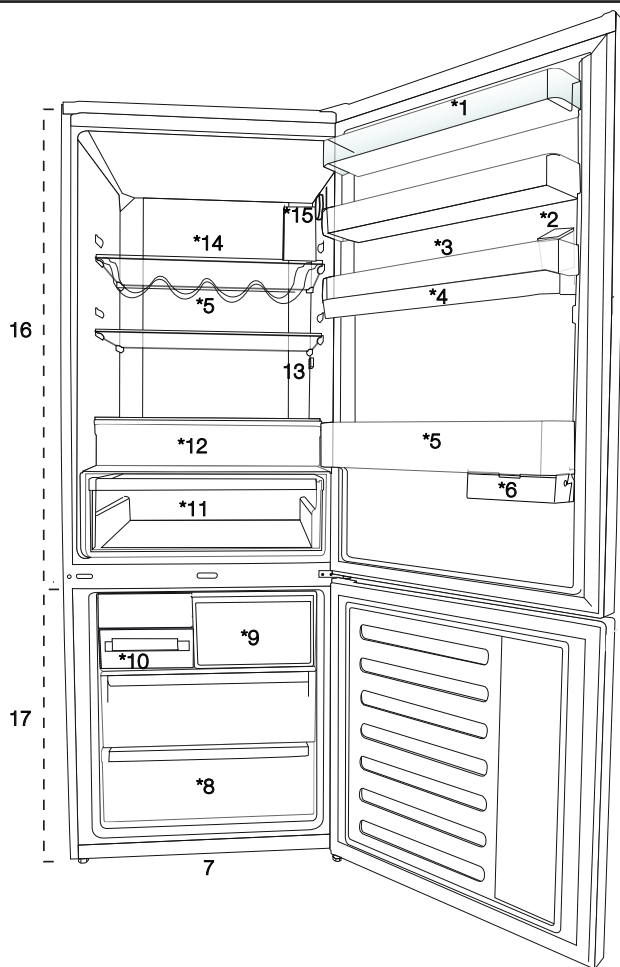
1.5. 3 so smernicou RoHS

Tento výrobok spĺňa požiadavky smernice WEEE EÚ (2011/65/EU). Neobsahuje škodlivé a zakázané látky uvedené v smernici.

1.6. Informácie o balení

Obalové materiály výrobku sú vyrobené z recyklovateľných materiálov v súlade s našimi národnými predpismi o životnom prostredí. Nevyhadzujte obalové materiály spolu s domácimi alebo inými odpadmi. Vezmite ich do zberných miest pre obalové materiály určené miestnymi orgánmi.

2 Vaša chladnička



1. Polica v dverách chladiacej časti
2. Plniaca nádrž dávkovača vody
3. Časť pre vajíčka
4. Zásobník dávkovača vody
5. Polica pre fľaše
6. Posuvná odkladacia schránka
7. Nastaviteľné nohy
8. Časť hlbokého mrazenia
9. Časť rýchleho mrazenia
10. Zásobník na ľadové kocky a akumulovaný ľad
11. Zásobník na zeleninu
12. Nádoba na mlieko (chladiaca zóna)
13. Vnútročné osvetlenie
14. Sklenená polica v chladiacej časti
15. Tlačidlo pre Nastavenie teploty
16. Chladiaci priestor
17. Mraziaci priestor




Nemusí byť súčasťou výbavy všetkých modelov



***voliteľné:** Obrázky uvedené v tejto príručke sú uvádzané ako príklad a nemusia sa presne zhodovať s Vaším produktom. Ak váš výrobok neobsahuje príslušné časti, tieto informácie sa vzťahujú na ostatné modely.

3.1. Správne miesto pre inštaláciu

Pre inštaláciu výrobku sa obráťte na autorizovaný servis. Pre prípravu výrobku pre inštaláciu vyhľadajte informácie v užívateľskej príručke a uistite sa, že sú k dispozícii požadované elektrické a vodovodné nástroje. Ak nie, pre usporiadanie týchto nástrojov podľa potreby sa obráťte na elektrikára a vodoinštalatéra.

	VAROVANIE: Výrobca nenesie žiadnu zodpovednosť za škodu spôsobenú prácou vykonanou neoprávnenými osobami.
	VAROVANIE: V priebehu inštalácie musí byť napájací kábel tohto výrobku odpojený. Ak tak neurobíte, môže to mať za následok smrť alebo vážne zranenie!
	VAROVANIE: Ak je rozpätie dverí príliš úzke pre prenesenie výrobku, odmontujte dvere a otočte produkt na bok, ak to nefunguje, obráťte sa na autorizovaný servis.

- Pre zabránenie vibráciám umiestnite výrobok na rovný povrch.
- Umiestnite výrobok aspoň 30 cm od radiátorov, pecí a podobných tepelných zdrojov a aspoň 5 cm od elektrických rúr.
- Nevystavujte výrobok priamemu slnečnému žiareniu alebo ho neponechávajte vo vlhkom prostredí.
- Výrobok pre svoje efektívne fungovanie vyžaduje dostatočnú cirkuláciu vzduchu.
- Pokiaľ bude výrobok umiestnený vo výklenku, nezabudnite nechať najmenej 5 cm odstup medzi produktom, stropom a stenami.
- Neinštalujte výrobok v prostredí s teplotami pod -5°C .
- Váš výrobok pre svoje efektívne fungovanie vyžaduje dostatočnú cirkuláciu vzduchu. Ak sa výrobok umiestni do výklenku, nezabudnite medzi výrobkom a stropom, zadnou stenou a bočnými stenami ponechať voľný priestor najmenej 5 cm.
- Ak sa výrobok umiestni do výklenku, nezabudnite medzi výrobkom a stropom, zadnou stenou a bočnými stenami ponechať voľný priestor najmenej 5 cm. Skontrolujte, či 8 /37 SK

sa komponent na zaistenie voľného priestoru voči zadnej stene nachádza na svojom mieste (ak sa dodáva s výrobkom). Ak komponent nie je k dispozícii, alebo ak sa stratil či spadol, umiestnite výrobok tak, aby medzi zadnou stenou výrobkov a stenou miestnosti zostal voľný priestor najmenej 5 cm. Voľný priestor vzadu je dôležitý pre efektívnu prevádzku výrobku.

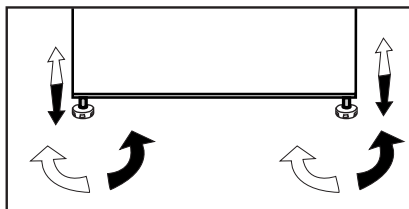
3.2. Pripojenie plastových klinov

Použite plastové kliny dodané s produktom pre zabezpečenie dostatočného priestoru pre cirkuláciu vzduchu medzi výrobkom a stenou.




1. Ak chcete pripojiť kliny, odstráňte skrutky na výrobku a použite skrutky dodané s klinmi.
2. Pripevnite 2 plastové kliny na kryt vetrania ako sú zobrazené na obrázku.

3.3. Nastavenie stojanov


Ak výrobok nie je v rovnovážnej polohe, nastavte predné nastaviteľné stojany ich otáčaním smerom doprava alebo doľava.



3.4. Pripojenie napájania

	VAROVANIE: Pre napájanie nepoužívajte rozšírené alebo združené zásuvky.
	VAROVANIE: Poškodený napájací kábel musí byť vymenený autorizovaným servisom.
	Pri umiestnení dvoch chladničiek v príľahlej pozícii, medzi dvoma jednotkami nechajte vzdialenosť najmenej 4 cm.

- Naša spoločnosť nenesie zodpovednosť za prípadné škody vzniknuté v dôsledku použitia bez uzemnenia a pripojenia napájania v nesúlade s vnútroštátnymi predpismi.
- Zásuvka napájacieho kábla musí byť ľahko prístupná aj po inštalácii.
- Medzi zásuvkou a chladničkou nepoužívajte rozvojku alebo predlžovací kábel.

	Výstraha pred horúcim povrchom Bočné steny vášho produktu sú vybavené chladiacim potrubím pre zlepšenie chladiaceho systému. Cez tieto oblasti môže prúdiť chladivo s vysokými teplotami, čo vedie k horúcim povrchom bočných stien. To je normálne a nepotrebuje žiadnu opravu. Dbajte na to, keď sa dotýkate týchto oblastí.
--	---

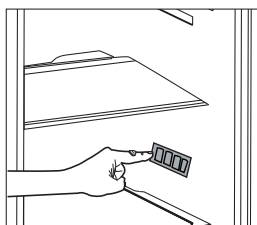
4.1. Čo urobiť pre úsporu energie



Pripojenie výrobku k elektronickým systémom pre úsporu energie je škodlivé, pretože môže dôjsť k poškodeniu výrobku.

- Pre voľne stojace zariadenie; „tento chladiaci spotrebič nie je určený na použitie ako zabudovaný spotrebič“;
- Nenechávajte dvere chladničky otvorené po dlhšiu dobu.
- Nevkladajte do chladničky horúce potraviny alebo nápoje.
- Nepreplňujte chladničku; blokovanie vnútorného toku vzduchu zníži chladiacu kapacitu.
- Aby ste mohli uchovávať maximálne množstvo potravín v chladnejšom priestore vašej chladničky, vyberte hornú zásuvku a položte ju na sklenenú policu. Deklarovaná spotreba energie chladničky bola určená po vybratí chladiča, zásobníka na ľad a hornej zásuvky, čo umožní vytvoriť maximálny skladovací priestor. Pri skladovaní dôrazne odporúčame použitie spodnej zásuvky. Pre najlepšiu spotrebu energie aktivujte funkciu úspory energie.
- Neblokujte prúdenie vzduchu tým, že umiestnite jedlo pred ventilátor chladiča. Pri umiestnení potravín je potrebné zabezpečiť minimálne 3 cm priestor pred ochrannými mrežami ventilátora.
- V závislosti na funkciách tohto výrobku; rozmrazovanie zmrazených potravín v chladnejšom priestore zaisťuje úsporu energie a zachovanie kvality potravín.
- Jedlo ukladajte pomocou použitia zásuviek v chladiacom priestore, s cieľom zabezpečenia úspory energie a ochrany potravín v lepších podmienkach.
- Balíky potravín nesmú byť v priamom kontakte s čidlom tepla, nachádzajúceho sa v chladiacom priestore. V prípade ak sa dotýkajú čidla, môže sa zvýšiť spotreba energie zariadenia.
- Uistite sa, že potraviny nie sú v kontakte so snímačom teploty priestoru chladničky popísaného nižšie.

- Pretože horúci a vlhký vzduch sa nedostane priamo do vášho výrobku, keď nie sú dvierka zatvorené, výrobok sa optimalizuje v existujúcich podmienkach tak, aby jedlo vnútri bolo bezpečne chránené. Funkcie a súčasti, ako sú kompresor, ventilátor, ohrievač, rozmrazovač, osvetlenie, displej a iné, budú fungovať tak, aby za týchto podmienok spotrebovali minimálne množstvo energie.
- V prípade viacerých možností je potrebné umiestniť sklenené police tak, aby neboli blokováné vývody vzduchu v zadnej stene, prednostne sa nachádzajú vývody vzduchu pod sklenenou policou. Táto kombinácia môže pomôcť ochudobniť distribúciu vzduchu a energetickú účinnosť.



4.2. Prvé uvedenie do prevádzky

Pred použitím chladničky sa uistite, že boli vykonané všetky nevyhnutné prípravy v súlade s pokynmi uvedenými v kapitolách “Bezpečnostné pokyny a životné prostredie” a “Inštalácia”.

- Nechajte výrobok bežať bez jedla v jeho vnútri po dobu 6 hodín a neotvárajte dvere, ak to nie je nevyhnutné.



Keď sa kompresor zapne, budete počuť zvuk. Je normálne počuť zvuk, aj keď kompresor nie je aktívny, v dôsledku stlačenej kvapaliny a plynov v chladiacom systéme.



Predné hrany produktu sa môžu zahriať. To je normálne. Tieto oblasti sú navrhnuté tak, aby sa zahriali, s cieľom zabránenia kondenzácie.

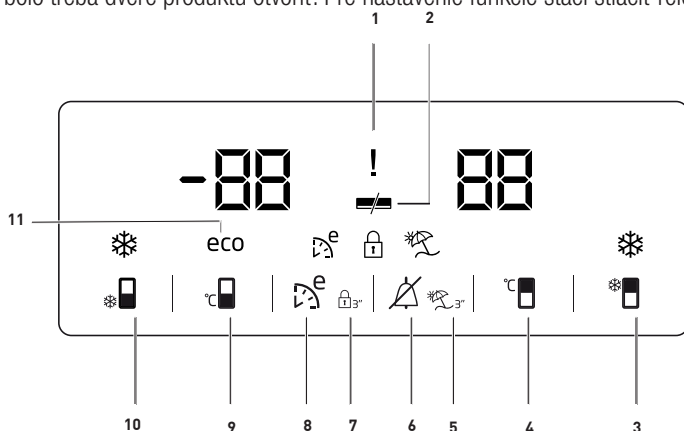


Pri niektorých modeloch sa panel indikátora automaticky vypne po 5 minútach po zatvorení dverí. Znovu sa aktivujú keď sa dvere otvoria alebo po stlačení tlačidla.

5 Tlačidlo pre Nastavenie teploty

5.1. Panel ukazovateľov

Na paneli s kontrolkami možno nastaviť teplotu a ovládať ostatné funkcie súvisiace s produktom, bez toho, aby bolo treba dvere produktu otvoriť. Pre nastavenie funkcie stačí stlačiť relevantnú tlačidlo.



1. Výpadok napájania / vysoká teplota / Kontrolka chybového stavu

Táto kontrolka (!) sa rozsvieti v prípade výpadku napájania, vysokej teploty a chybových varovaní.

Keď sa teplota mraziaceho priestoru zohreje na kritickú úroveň pre mrazené potraviny, na digitálnom ukazovateli bliká maximálna dosiahnutá hodnota teploty mraziaceho priestoru.

Skontrolujte jedlo v časti v mrazničke.

To nie je porucha. Varovanie je možné vymazať stlačením ľubovoľného tlačidla alebo tlačidlom vypnutia alarmu vysokej teploty. (Zrušenie stlačením ľubovoľného tlačidla nie je možné v prípade každého modelu.)

Táto kontrolka (!) sa rozsvietil aj pri poruche snímača. Keď táto kontrolka svieti, na kontrolke teploty sa alternatívne zobrazí „E“ a číslice ako „1,2,3 ...“. Tieto údaje na kontrolke informujú servisný personál o chybe.

2. Funkcia Úspora energie (vypnutý displej):

Ak sú dvere produktu ponechané zatvorené dlhú dobu, automaticky sa aktivuje funkcia úspory energie a rozsvieti sa príslušný symbol. (🔋)

Keď je funkcia úspora energie aktívna, všetky ostatné symboly na displeji zhasnú. Keď je aktivovaná funkcia úspory energie, ak stlačíte akékoľvek tlačidlo alebo otvorte dvierka, režim úspory energie sa ukončí a ikony na displeji sa vráti do normálu.

Funkcia úspory energie sa aktivuje počas doručenia z továrne a nemožno ju zrušiť.

3. Funkcia Rýchle chladenie





Tlačidlo má dve funkcie. Krátko ho stlačte ak chcete funkciu rýchleho chladenia aktivovať alebo deaktivovať. Indikátor rýchleho chladenia sa vypne a produkt sa prepne na svoje normálne nastavenie. (❄️)

Nemusi byť súčasťou výbavy všetkých modelov



***Voliteľné:** Údaje uvedené v tejto používateľskej príručke sú určené ako koncepty a nemusia byť v dokonalom súlade s Vaším výrobkom. Ak váš výrobok neobsahuje príslušné časti, tieto informácie sa vzťahujú na ostatné modely.

Tlačidlo pre Nastavenie teploty

	Funkciu rýchleho chladenia použite kedykoľvek chcete rýchlo schladiť potraviny vložené do chladničky. Ak chcete schladiť veľké množstvo čerstvých potravín, odporúčame aktivovať túto funkciu, než vložíte potraviny do chladničky.
	Ak funkciu rýchleho chladenia nezrušíte, vypne sa sama automaticky po 1 hodine alebo ako náhle priestor chladničky dosiahne požadovanú teplotu.
	Ak tlačidlo rýchleho chladenia stlačíte opakovane v krátkych intervaloch, aktivuje sa ochrana elektronického obvodu a kompresor sa nespustí okamžite.
	Táto funkcia sa opätovne nevyvolá, keď sa obnoví napájanie po výpadku elektriny.

4. Tlačidlo na nastavenie teploty v priestore chladničky

Stlačením tohto tlačidla nastavíte teplotu priečinku chladničky jednotlivito na 8,7,6, 5,4,3, 2, 1, 0... Stlačením tohto tlačidla nastavíte želanú teplotu pre priečinok chladničky na požadovanú hodnotu. (📺)

5. Funkcia Dovolenska

Aby ste aktivovali funkciu dovolenky, na 3 sekundy stlačte toto tlačidlo (🌞), aktivuje sa kontrolka režimu dovolenky (🌞). Keď je aktivovaná funkcia dovolenky, na indikátore teploty priečinku chladničky sa zobrazí „- -“ a priečinok chladničky sa nebude aktívne chladíť. Keď je aktivovaná táto funkcia, nie je vhodné uchovávať potraviny v priečinku chladničky. Ostatné priečinky sa budú ďalej chladíť podľa príslušne nastavených teplôt. Ak chcete túto funkciu zrušiť, znova stlačte tlačidlo funkcie Dovolenska .

6. Ukončenie výstrahy pred vysokou teplotou:

V prípade výpadku prúdu / výstrahy vysokej teploty môžete výstrahu (🚫) vymazať stlačením ľubovoľného tlačidla na kontrolke alebo tlačidla vypnutia alarmu vysokej teploty na 1 sekundu po skontrolovaní potravín vo vnútri mrazničky.

Poznámka: Zrušenie stlačením ľubovoľného tlačidla nie je možné v prípade každého modelu.

7. Tlačidlo zamknutia

Stlačte tlačidlo uzamknutia tlačidiel (🔒) súčasne na 3 sekundy. Symbol Zámok (🔒) sa rozsvieti a režim zámku klávesov sa aktivuje. Pri aktívnom režime uzamknutia tlačidiel nebudú fungovať tlačidlá. Znova stlačte tlačidlo uzamknutia tlačidiel súčasne na 3 sekundy. Tlačidlá nebudú v režime zámku tlačidiel funkčné.

Ak chcete predísť zmene nastavenia teploty chladničky, stlačte tlačidlo zámku (🔒).

8. Eco fuzzy

Ak chcete aktivovať funkciu eco fuzzy, 1 sekundy podržte stlačené tlačidlo eco fuzzy. Chladnička sa spustí v najúspornejšom režime najmenej o 6 hodín neskôr a ukazovateľ úspornej prevádzky sa rozsvieti, keď je funkcia aktívna (🌿). Ak chcete deaktivovať funkciu eco fuzzy, 3 sekundy podržte stlačené tlačidlo eco fuzzy.

Tento indikátor sa rozsvieti po 6 hodinách, keď je aktivovaná funkcia eco fuzzy.

9. Tlačidlo nastavenia teploty priečinka mrazničky

Stlačením tohto tlačidla nastavíte teplotu priečinku mrazničky na úroveň -18, -19, -20, -21, -22, -23, -24 resp. -18... Stlačením tohto tlačidla nastavíte želanú teplotu pre priečinok mrazničky na požadovanú hodnotu. (📺)

Tlačidlo pre Nastavenie teploty

10. Tlačidlo funkcie Rýchle mrazenie / Výroba ľadu

Stlačením tohto tlačidla aktivujete alebo deaktivujete funkciu rýchleho mrazenia. Keď funkciu aktivujete, mraznička sa vychladí na teplotu nižšiu ako je nastavená hodnota. (●❏) Ak chcete výrobu ľadu zapnúť a vypnúť, stlačte tlačidlo na 3 sekundy.

	Funkciu rýchleho mrazenia použite kedykoľvek chcete rýchlo schladiť potraviny vložené do chladničky. Ak chcete zmraziť veľké množstvo čerstvých potravín, odporúčame aktivovať túto funkciu, než vložíte potraviny do chladničky.
	Ak ho nezrušíte, rýchle chladenie sa automaticky zruší po 24 hodinách, prípadne vtedy, keď priečinok mrazničky dosiahne požadovanú teplotu.
	Táto funkcia sa opätovne nevyvolá, keď sa obnoví napájanie po výpadku elektriny.

11. Indikátor ekonomického používania

Označuje, že produkt beží v energeticky účinnom režime. (eco) Tento indikátor je aktívny v prípade, že teplota priečinka mrazničky je nastavená na -18 alebo ak sa kvôli funkcii Extra ekologicky vykonáva energeticky účinné chladenie.

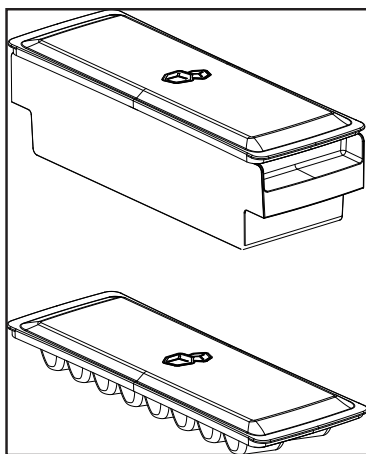
	Indikátor ekonomického používania nesvieti, keď sa zvolí funkcia rýchleho chladenia alebo rýchleho mrazenia.
---	--

Tlačidlo pre Nastavenie teploty

5.2. Zásobník na ľad

(Voliteľné)

- Vyberte von nádobu na ľad z mrazničky.
- Naplňte nádobu na ľad vodou.
- Vložte nádobu na ľad do mrazničky.
- Ľad bude pripravený asi po dvoch hodinách. Vezmite nádobu na ľad z mrazničky a opatrne ju ohnite nad držiakom, ktorý budete podávať. Ľad ľahko vypadne do servírovacieho držiaka.



5.3. Držiak na vajíčka

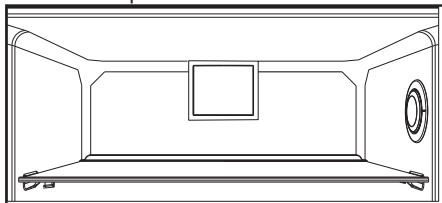
Držiak na vajíčka môžete ľubovoľne umiestniť na držiak vo dverách alebo v chladničke. Ak ste sa rozhodli dať ju na držiak v chladničke, odporúčame, aby ste použili nižšie police, nakoľko sú chladnejšie.



Nedávajte držiak na vajíčka do mrazničky.

5.4. Ventilátor

Ventilátor bol navrhnutý tak, aby zabezpečil cirkuláciu chladného vzduchu vo vnútri chladničky homogénne. Prevádzková doba ventilátora sa môže líšiť v závislosti na funkciách vášho produktu.



5.5. Zásobník na zeleninu

(Voliteľné)

Zásobník na zeleninu produktu je navrhnutý tak, aby zelenina zostala čerstvá pri zachovaní svojej vlhkosti. Za týmto účelom je celková cirkulácia chladného vzduchu v zásobníku na zeleninu intenzívnejšia.

Tlačidlo pre Nastavenie teploty

5.6. Oddelenia Nulového stupňa

(Voliteľné)

Použite tento priestor pre udržanie lahôdok alebo mäsových výrobkov na okamžitú spotrebu pri nižších teplotách.

Oddelenia Nulového stupňa je najlepšie miesto, kde môžu byť uložené v ideálnych podmienkach skladovania potraviny, ako sú mliečne výrobky, mäso, ryby a kurča. Neskladujte zeleninu a/alebo ovocie v tomto priestore.

5.7. Pohyblivý stojan vo dverách

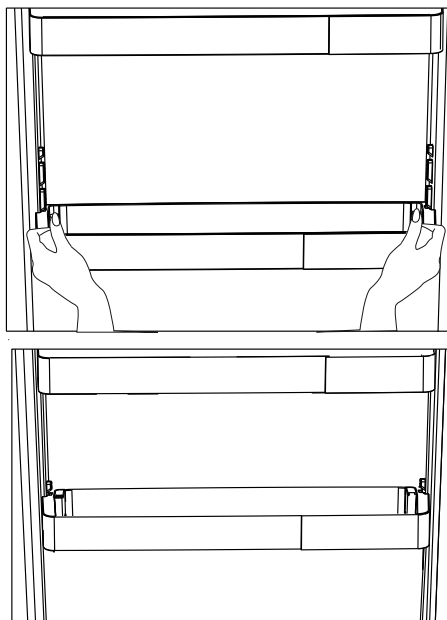
(Voliteľné)

Pohyblivý stojan vo dverách je možné upevniť do 3 rôznych polôh.

Pre presun stojana, rovnomerne stlačte bočné tlačidlá. So stojanom bude možné pohybovať.

Posuňte stojan smerom nahor alebo nadol.

Keď je stojan v požadovanej pozícii, uvoľnite tlačidlá. Po uvoľnení tlačidiel bude stojan opäť pevný na svojej pozícii.



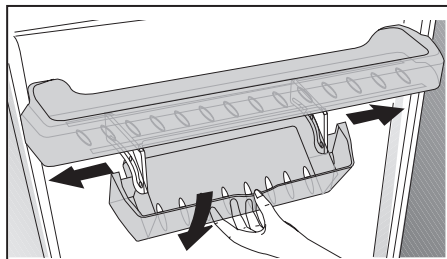
Tlačidlo pre Nastavenie teploty

5.8. Posuvná odkladacia schránka

(Voliteľné)

Tento doplnok bol navrhnutý pre zvýšenie objemu využitia dverných stojanov.

Vďaka svojej schopnosti pohybovania sa do strán, vám umožní ľahko umiestniť dlhé fľaše, poháre alebo krabice, ktoré ste vložili do poličky pre fľaše nižšie.



5.9. Dezodorizačný modul

(FreshGuard)

(Voliteľné)

Dezodorizačným modulom sa rýchlo odstraňujú zápachy vo vašej chladničke skôr, ako preniknú do povrchov. Vďaka tomuto modulu, ktorý sa nachádza na strope priehradky na čerstvé potraviny, sa zápachy rozptýlia počas aktívneho presúvania vzduchu do zápachového filtra, potom sa vzduch prečistený filtrom opätovne vypúšťa do priehradky na čerstvé potraviny. Takto sa nežiaduce zápachy, ktoré môžu vzniknúť počas uskladnenia potravín v chladničke, odstraňujú skôr, ako preniknú do povrchov.

Dosahuje sa to vďaka ventilátoru, LED a pachovému filtru, ktoré sú zabudované v module. Pri dennom používaní sa dezodorizačný modul bude pravidelne automaticky spúšťať. Na zachovanie účinnosti sa odporúča dať si filter v dezodorizačnom module vymeniť autorizovaným servisným technikom každých 5 rokov. V dôsledku zabudovania ventilátora do modulu je zvuk, ktorý počuť pri prevádzke, bežný. Ak otvoríte dverka priehradky na čerstvé potraviny,

keď je modul v činnosti, ventilátor sa dočasne zastaví a po istom čase bude pokračovať, kde prestal, po opätovnom zatvorení dveriek. V prípade výpadku prúdu bude dezodorizačný modul pokračovať, kde prestal počas trvania celkovej prevádzky, po obnovení napájania. Informácia: Aromatické potraviny (napr. syr, olivy a lahôdky) sa odporúča uchovávať v ich balení a uzavreté, aby sa zamedzilo zápachom, ktoré môžu vzniknúť v dôsledku zmiešania pachov rôznych potravín. Okrem toho sa odporúča pokazené potraviny bezodkladne vybrať z chladničky, aby sa zabránilo pokazeniu ostatných potravín a zamedzilo zápachu.

5.10. Používanie druhého priečinka na zeleninu a ovocie;



Obrázok 1.

V druhom priečinku na zeleninu a ovocie na modeli K70560 sú 2 zarážky.



Obrázok 2.

Druhý priečnik vyzerá ako na Obrázku 2, keď je zatvorený.



Obrázok 3.

Otvorte dvere do uhla 90° a vytiahnite druhý priečnik na zeleninu a ovocie až po prvú zarážku, ako je znázornené na Obrázku 3.

V prípade, že je zásuvka viac otvorená, najprv otvorte dvere do uhla aspoň 135°.



Potom nadvihnite druhý priečnik na zeleninu a ovocie asi o 5 mm, takže sa uvoľní z prvej zarážky (ako je znázornené na Obrázku 4).



Obrázok 4.

Po nadvihnutí vytiahnite druhú zásuvku až po druhú zarážku, ako je znázornené na Obrázku 5.

Obrázok 5.

Tlačidlo pre Nastavenie teploty

5.11. Zásobník na zeleninu s kontrolou vlhkosti

(Voliteľné)

Pomocou funkcie regulácie vlhkosti je vlhkosť zeleniny a ovocia pod kontrolou a zabezpečí sa tým dlhšia doba čerstvosti potravín.

Ako je to možné, odporúča sa skladovať listovú zeleninu, ako je hlávkový šalát a špenát a podobné zeleniny, náchylné na stratu vlhkosti nie na svojich koreňoch, ale vo vodorovnej polohe v zeleninovom koši.

Pri umiestňovaní zeleniny, uložte ťažkú a tvrdú zeleninu na dno a ľahkú a mäkkú na vrchol, s prihliadnutím na špecifické hmotnosti zeleniny.

Nenechávajte zeleninu na zásobníku v igelitových sáčkoch. Ponechanie v igelitových sáčkoch spôsobí, že zelenina zhnije v krátkej dobe. V situáciách, kde kontakt s ostatnou zeleninou nie je vhodný, použite obalový materiál, ako je papier, ktorý má určitú pórovitosť v súlade s hygienou.

Nedávajte plody, ktoré majú vysokú produkciu plynu etylénu, ako sú hrušky, marhule, broskyne a najmä jablká do spoločného zeleninového zásobníka s inou zeleninou a ovocím. Plyn etylén vychádzajúci z týchto plodov môže spôsobiť, že ostatná zelenina a ovocie budú zrieť rýchlejšie a začnú hniť v kratšom časovom období.

5.12. Automatický výrobnik ľadu

(Voliteľné)

Automat ľad vám umožní ľahko vytvoriť ľad v chladničke. Za účelom získania ľadu z výrobníka ľadu, vyberte nádržku na vodu z chladiaceho priestoru, naplňte ju vodou a dajte ju naspäť.

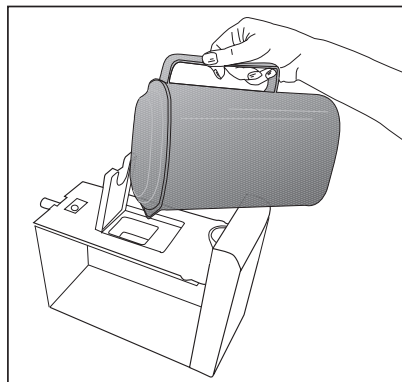
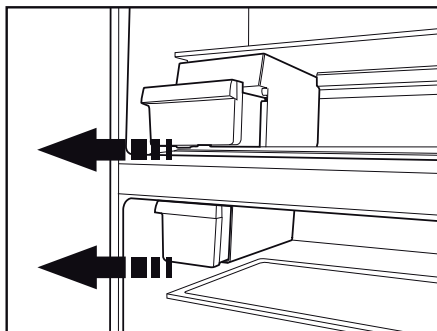
Prvý ľad bude vo výrobníku ľadu pripravený asi za 2 hodiny v chladiacom priestore.

Po umiestnení plnej vodnej nádrže, kým sa úplne nevyprázdni, môžete získať asi 60-70 kociek ľadu.

V prípade, že voda v nádrži bola dlhšie ako 2-3 týždne, vymeňte ju.



Pri produktoch s automatickým výrobníkom ľadu, pri výrobe ľadu môžete počuť zvuk. Tento zvuk je normálny a nie je známkou poruchy.



Tlačidlo pre Nastavenie teploty

5.13. Icematic a držiak na skladovanie ľadu

*voliteľné

Používanie výrobníka ľadu Icematic

Naplňte výrobník ľadu Icematic vodou a umiestnite ho na jeho miesto. Váš ľad bude pripravený asi po dvoch hodinách. Pre vybratie ľadu neodstraňujte Icematic z jeho miesta.

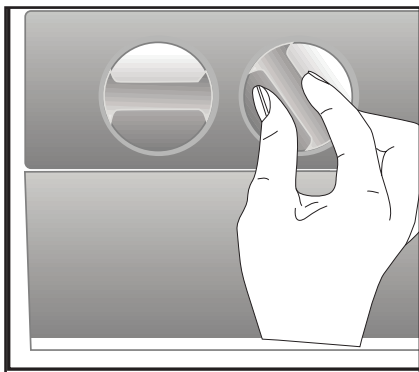
Otočte gombík na ľadovom zásobníku v smere hodinových ručičiek o 90 stupňov. Ľadové kocky v nádrži spadnú dolu do nižšie umiestneného držiaka ľadu.

Následne môžete vybrať držiak ľadu a podávať ľadové kocky.

Ak chcete, ľadové kocky môžete skladovať aj v držiaku na ľad.

Držiak na skladovanie ľadu

Držiak na skladovanie ľadu je určený len pre zbieranie kociek ľadu. Nedávajte do neho vodu. V opačnom prípade sa zlomí.



5.14. Používanie dávkovača na vodu

*voliteľné



Je normálne, že prvých niekoľko pohárov vody odobraných z dávkovača vody bude obvykle teplých.

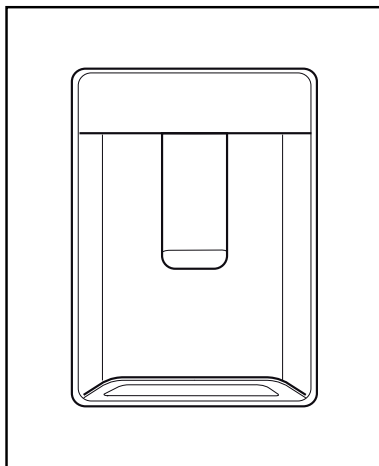


Ak sa dávkovač vody nepoužíval dlhšiu dobu, aby ste získali čistú vodu, prvé poháre vody vylejte.

1. Zatláčte pohárom o páku dávkovača vody. Ak používate mäkký plastový téglik, bude jednoduchšie páku stlačiť rukou.
2. Po naplnení pohára po požadovanú úroveň, uvoľnite páku.



Upozorňujeme, že z dávkovača vytečie toľko vody, ako ďaleko potlačíte páku. Keď hladina vody vo Vašej šálke / pohári stúpne, jemne znížte množstvo tlaku na páku, aby ste zabránili pretečeniu. Ak páku ľahko stlačíte, bude kvapkať voda; to je úplne normálne a nejde o poruchu.



Tlačidlo pre Nastavenie teploty

5.15. Plnenie nádrže dávkovača na vodu

Plniaca nádrž Vodnej nádrže je umiestnená vo vnútri stojana dverí.

1. Otvorte kryt nádrže.
2. Naplňte nádrž čerstvou pitnou vodou.
3. Zatvorte kryt.



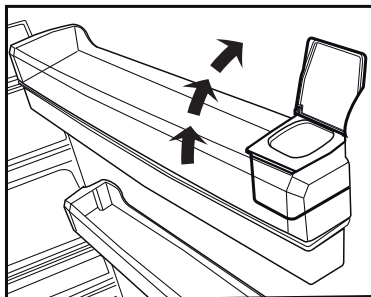
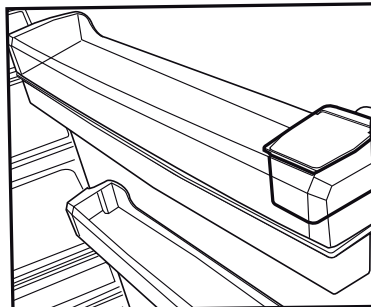
Neplňte nádrž na vodu s inou kvapalinou okrem vody, ako sú napríklad ovocné džúsy, sýtené nápoje a alkoholické nápoje, ktoré nie sú vhodné pre použitie v dávkovači vody. V prípade použitia týchto druhov kvapalín sa dávkovač vody nenapraviteľne poškodí. Záruka sa nevzťahuje na takéto použitie. Niektoré chemické látky a prísady obsiahnuté v týchto druhov nápojov / kvapalín môžu poškodiť nádržku na vodu.



Používajte len čistú pitnú vodu.



Kapacita nádrže na vodu je 3 litre; neprepĺňajte ju.



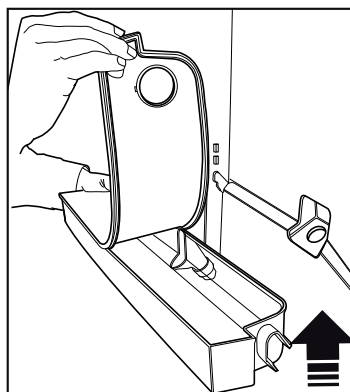
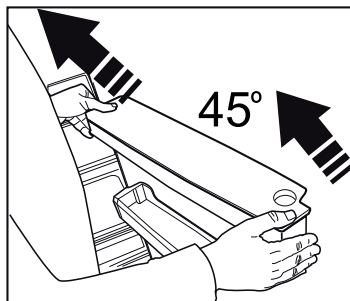
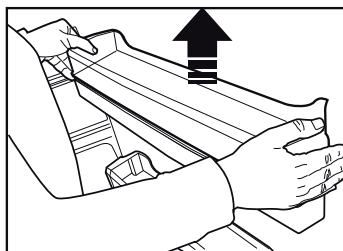
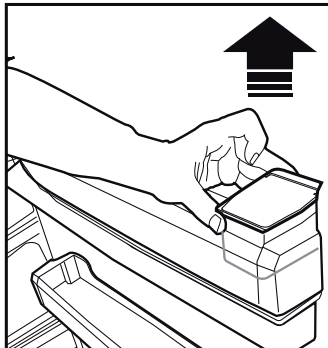
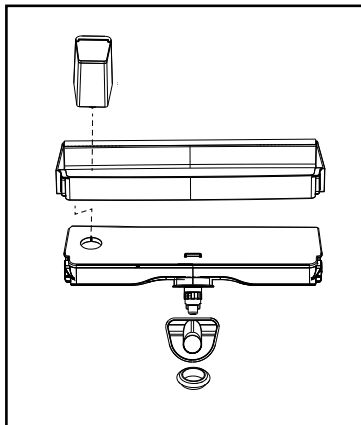
Tlačidlo pre Nastavenie teploty

5.16. Čistenie nádrže na vodu

1. Vyberte nádrž na vodu vo vnútri rámu dverí.
2. Odstráňte rám dverí ich pridržením z oboch strán.
3. Chyťte nádržku na vodu z oboch strán a odstráňte ju pod uhlom 45 ° C.
4. Odstráňte kryt zásobníka na vodu a vyčistite nádrž.



Súčasti nádrže na vodu a dávkovač vody neumývajte v umývačke riadu.



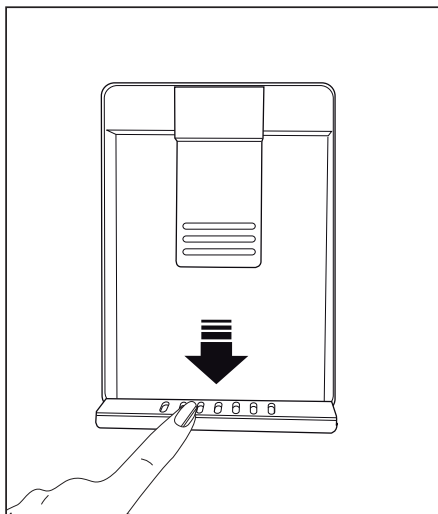
Tlačidlo pre Nastavenie teploty

5.17. Odkvapkovácia miska

Voda, ktorá pri použití dávkovača vody vykvapkala, sa hromadí v odkvapkávacom zásobníku.

Odstráňte plastový filter, ako je znázornené na obrázku.

S čistou a suchou handričkou odstráňte nahromadenú vodu.



HerbBox/HerbFresh

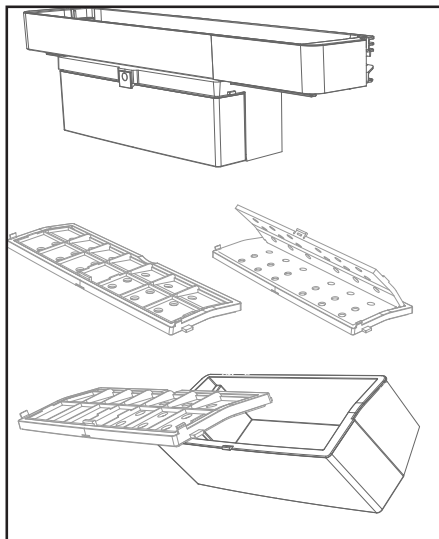
Vyberte filmový zásobník z HerbBox/HerbFresh+

Odstráňte film zo sáčky a vložte ho do filmového zásobníka, ako je znázornené na obrázku.

Opäť uzatvorte zásobník a vložte ho späť do jednotky HerbBox/HerbFresh+

Časti HerbBox/HerbFresh+ sú obzvlášť vhodné pre skladovanie rôznych bylín, ktoré majú byť uchovávané v citlivých podmienkach. Môžete ukladať svoje nezabalené bylinky (petržlen, kôpor, atď.) do tejto časti horizontálne a udržať ich čerstvé oveľa dlhšiu dobu.

Film sa nahrádza každých šesť mesiacov.



Tlačidlo pre Nastavenie teploty

5.18. Zmrazovanie čerstvých potravín

- Ak chcete zachovať kvalitu potravín, potraviny umiestnené v mrazničke musia byť zmrazené tak rýchlo, ako je to možné, z toho dôvodu použijete funkciu rýchleho zmrazenia.
- Zmrazenie potravín v čerstvom stave predĺži dobu ich skladovania v mrazničke.
- Zabaľte potraviny do vzduchotesných balení a tesne ich uzatvorte.
- Uistite sa, že potraviny sú pred vložením do mrazničky zabalené. Miesto tradičného obalového papiera použijete krabice do mrazničky, staniol a papier odolný proti vlhkosti, igelitové vrecká alebo podobné obalové materiály.



Lad sa v mraziacej časti topí automaticky.

- Pred zmrazením označte každé balenie potravín napísaním dátumu na ich obal. To vám umožní určiť čerstvosť každého balenia pri každom otvorení mrazničky. Udržujte skoršie položky potravín v prednej časti, aby ste zabezpečili, že budú použité ako prvé.
- Zmrazené potraviny musia byť použité ihneď po rozmrazení a nemali by byť znovu zmrazené.
- Nezmrazujte veľké množstvo potravín naraz.

5.19. Odporúčania pre skladovanie zmrazených potravín

Chladiaci priestor musí byť nastavený na menej ako -18°C.

1. Umiestnite potraviny do mrazničky čo najrýchlejšie, aby nedošlo k ich rozmrazeniu.
2. Pred zmrazením skontrolujte položku "Dátum spotreby" na obale, aby ste sa uistili, že ešte nevypršala.
3. Uistite sa, že balenie potravín nie je poškodené.

Nastavenie teploty Mraziaceho priestoru	Nastavenie teploty Chladiaceho priestoru	Podrobnosti
-18°C	4°C	Toto je predvolené, odporúčané nastavenie.
-20,-22 alebo 24°C	4°C	Tieto nastavenia sa odporúčajú pri teplotách okolia nad 30 °C.
Quick Freeze - Rýchle mrazenie	4°C	Použite, keď chcete zmraziť vaše potraviny krátkej dobe. Po ukončení procesu sa produkt vráti do svojej predchádzajúcej pozície.
-18°C alebo nižšie	2°C	Použite toto nastavenie, ak si myslíte, že chladiaci priestor nie je dostatočne studený vzhľadom na teplotu prostredia alebo časté otváranie dverí.

Tlačidlo pre Nastavenie teploty

5.20. Podrobnosti o mrazničke

Podľa noriem IEC 62552, mraznička musí mať schopnosť zmraziť 4,5 kg potravín na teplotu -18°C alebo nižšie do 24 hodín na každých 100 litrov objemu mraziaceho priestoru.

Potraviny môžu byť zachované po dlhšiu dobu iba pri teplote do teploty -18°C.

Potraviny môžete udržiavať čerstvé po dobu niekoľkých mesiacov (v mrazničke na alebo pod teplotou -18°C).

Potraviny ktoré majú byť zmrazené nesmú prísť do kontaktu s už zmrazenými potravinami vo vnútri mrazničky z dôvodu zabránenia ich čiastočnému rozmrazeniu.

Zeleninu uvarte a vodu odfiltrujte pre predĺženie doby zmrazeného skladovania.

Po filtrácii dajte jedlo do vzduchotesných balení a umiestnite ho v mrazničke. Banány, paradajky, hlávkový šalát, zeler, varené vajcia, zemiaky a podobné potraviny nezmrazujte.

V opačnom prípade tieto potraviny zhnijú a budú ovplyvnené ich nutričné hodnoty a kvalita jedenia. To, že hniloba ohrozuje aj ľudské zdravie, nie je otáznе.

5.21. Umiestnenie jedla

Police v mraziacej časti	Rôzny mrazený tovar ako sú mäso, ryby, zmrzlina, zelenina a pod.
Police v chladiacej časti	Potraviny v hrnci, tanieri a krabice s viečkami, vajcia (v krabiciach s viečkom)
Police v dverách chladiacej časti	Malé a balené potraviny alebo nápoje
Zásobník na zeleninu	Ovocie a zelenina
Časť pre čerstvé potraviny	Lahôdky (potraviny pre raňajky, mäsové výrobky, ktoré majú byť konzumované v krátkej dobe)

5.22. Upozornenie na otvorené dvere

(Voliteľné)

Ak dvere výrobku zostanú otvorené, po dobu aspoň 1 minúty, zaznie akustické upozornenie. Akustický upozornenie stíchne, keď sú dvere zatvorené alebo po stlačení ľubovoľného tlačidla na displeji (ak je k dispozícii).

Upozornenie na otvorené dvere je indikované užívateľovi tak akusticky, ako aj vizuálne. Ak alarm pokračuje po dobu 10 min, osvetlenie interiéru vypne.

5.23. Zmena smeru otvárania dverí

Smer otvárania dverí vašej chladničky môžete zmeniť v závislosti na jej mieste používania.

Keď tak potrebujete urobiť, obráťte sa na najbližší Autorizovaný servis.

Hore uvedené vysvetlenie je všeobecné vyhlásenie. O možnosti zmeny smeru otvárania dverí skontrolujte štítok s upozornením umiestnený vo vnútri obalu.

5.24. Vnútorňé osvetlenie

Vo vnútornom osvetlení sa používa LED lampa. V prípade akýchkoľvek problémov s touto lampou sa obráťte na autorizovaný servis.

Lampa/y, použité v tomto zariadení nie je možné použiť pre osvetlenie domu. Účel použitia tohto svetla je pomôcť užívateľovi umiestniť potraviny do chladničky / mrazničky bezpečne a pohodlne.

Tlačidlo pre Nastavenie teploty

5.25. Modré svetlo/HarvestFresh

***Nemusi byť k dispozícii pre všetky modely**

Pre modré svetlo,

Ovocie a zelenina uložené v priehradke na ovocie a zeleninu, ktoré sú osvetlené modrým svetlom, pokračujú vo svojej fotosyntéze účinkom vlnovej dĺžky modrého svetla a zachovávajú si tak obsah vitamínov.

Pre HarvestFresh,

Ovocie a zelenina uložené v priehradke na ovocie a zeleninu ktoré sú osvetlené technológiou HarvestFresh si zachovávajú svoje vitamíny dlhšie vďaka cyklu s modrým, zeleným, červeným svetlom a tmou, ktoré simulujú denný cyklus.

Ak otvoríte dverka chladničky v tmavom období technológie HarvestFresh, chladnička to automaticky deteguje a rozsvieti modro-zelené alebo červené svetlo, aby osvetlilo priehradku na ovocie a zeleninu pre vaše pohodlie.

Po zatvorení dverok chladničky bude tmavá perióda pokračovať a bude predstavovať nočný čas v dennom cykle.

5.26.Nádobka na mlieko (chladiaca zóna)

Poskytuje nižšiu teplotu ako priehradka chladničky. Túto nádobku použite na uskladnenie lahôdok (salámy, klobásky, mliečne výrobky atď.), ktoré vyžadujú nižšiu skladovaciau teplotu, alebo na okamžitú konzumáciu mäsových, kuracích alebo rybích výrobkov. Neskladujte v tejto nádobke ovocie a zeleninu.

Pri pravidelnom čistení sa zvýši životnosť výrobku.



VAROVANIE: Pred čistením chladničky produkt najprv odpojte z elektrickej siete.

- Na čistenie nikdy nepoužívajte ostré alebo brúsne nástroje, mydlo, domáce čistidlá, detergenty a voskové politúry.
- Rozpusťte jednu lyžičku karbonátu v pol litri vody. Namočte handričku do roztoku a dôkladne ju vyžmýkajte. Utrite vnútro spotrebiča s touto látkou a vysušte ho.
- Uistite sa, aby sa o telesa osvetlenia a iných elektrických predmetov nedostala žiadna voda.
- Očistite dvere pomocou vlhkej handričky. Ak chcete odstrániť police vo dverách a hlavné police, odstráňte všetok ich obsah. Vyberte police dverí ich posunutím smerom nahor. Po očistení, k uloženiu ich vložte smerom zhora nadol.
- Pre čistenie vonkajších povrchov a pochromovaných súčastí výrobku nikdy nepoužívajte čistiace prostriedky ani vodu s obsahom chlóru. Chlór spôsobuje koróziu kovových povrchov.
- Pre zabránenie odstráneniu a deformácii nápisov na plastových dielach, nepoužívajte žiadne ostré, brúsne nástroje, mydlo, čistiace prostriedky pre domácnosť, čistiace prostriedky, petrolej, vykurovací olej, laky atď.. Na čistenie použite vlažnú vodu a mäkkú handričku a utrite ich do sucha.

6.1. Zabránenie vzniku nepríjemných pachov

Pri výrobe našich zariadení sa nepoužívajú materiály, ktoré môžu spôsobiť zápach. Avšak, nevhodné podmienky pre zachovanie potravín a zanedbanie čistenia vnútorného povrchu zariadenia v potrebnej miere môže spôsobiť problém zápachu.

Preto chladničku čistite karbonáto rozpusteným vo vode každých 15 dní.

- Potraviny uchovávajte v uzavretých nádobách. Mikroorganizmy šíriace sa z nekrytých nádob môžu spôsobiť nepríjemné pachy.
- Nikdy neskladujte jedlo, ktorým vypršala trvanlivosti a sú rozliate v chladničke.

6.2. Ochrana plastových povrchov

Okamžite očistite s teplou vodou, nakoľko olej nanosený na plastové povrchy môže spôsobiť poškodenie povrchu.

6.3. Dverové sklá

Zo skiel odstráňte ochrannú fóliu.

Na povrchu skla sa nachádza povlak. Tento povlak minimalizuje vznik škvŕn pomáha ľahko odstrániť prípadné nečistoty a škvŕny. Sklá, ktoré nie sú chránené takýmto povlakom môžu byť vystavené trvalým organickým alebo anorganickým nečistotám na báze vzduchu alebo vody, ako sú vodný kameň, minerálne soli, nespálené uhľovodíky, oxidy kovov a silikóny, ktoré ľahko a rýchlo spôsobujú škvŕny alebo materiálne škody. Udržiavanie skla v čistom stave sa stáva príliš ťažkým, napriek pravidelnému čisteniu. V dôsledku toho, vzhľad a transparentnosť skla sa zhoršuje. Drsné a žieravé metódy čistenia a zlúčeniny zintenzívňujú tieto vady a urýchľujú proces zhoršovania sa. Pre bežné čistiace účely použite čistiace prostriedky na vodnej báze, ktoré nie sú zásadité a korozívne.

Na čistenie použite nealkoholické a nekorozívne materiály, aby ste zachovali povlak po dlhú dobu. Sklá sú temperované pre zvýšenie ich odolnosti proti nárazom a lámaniu.

Na ich zadnej ploche bola tiež aplikovaná bezpečnostná fólia, ako ďalšie bezpečnostné opatrenie pre zabránenie poškodeniu ich okolia v prípade ich rozbitia.

* Alkál je báza, ktorá pri rozpustení vo vode tvorí hydroxidové ióny (OH).

Kovy Li (lítium), Na (sodík), K (draslík) Rb (rubídium), Cs (cézium), a umelý a rádioaktívny Fr (Francium) sa nazývajú alkalické kovy.

Než sa obrátite na servis, pozrite si nasledujúci zoznam. Môže Vám to ušetriť čas aj peniaze. Tento zoznam obsahuje časté sťažnosti, ktoré nie sú spojené s chybným spracovaním alebo poškodením materiálu. Niektoré funkcie uvedené v tomto dokumente sa nemusia vzťahovať na váš produkt.

Chladnička nefunguje.

- Zástrčka nie je úplne nasadená. >>> Zapojte ju úplne do zásuvky.
- Poistka pripojená do zásuvky ktorá napája produkt alebo hlavná poistka je spálená. >>> Skontrolujte poistky.

Kondenzácia na bočnej stene chladiaceho priestoru (MULTI ZÓNA, CHLADIACA, KONTROLNÁ a FLEXI ZÓNA).

- Prostredie je príliš chladné. >>> Neinštalujte výrobok v prostredí s teplotami pod -5°C .
- Dvere sa otvárajú príliš často >>> Dbajte na to, aby ste dvere výrobku neotvárali príliš často.
- Prostredie je príliš vlhké. >>> Neinštalujte výrobok vo vlhkom prostredí.
- Potraviny obsahujúce tekutiny sú uchovávané v neuzavretých nádobách. >>> Uchovávajte potraviny, ktoré obsahujú tekutiny v uzavretých nádobách.
- Dvere výrobku boli ponechané otvorené. >>> Nenechávajte dvere chladničky otvorené po dlhšiu dobu.
- Termostat je nastavený na príliš nízku teplotu. >>> Nastavte termostat na vhodnú teplotu.

Kompresor nepracuje.

- V prípade náhleho výpadku prúdu alebo vytiahnutia napájacieho kábla a po jeho opätovnom pripojení tlak plynu v chladiacom systéme výrobku nie je vyvážený, čo spustí tepelný istič kompresora. Produkt sa reštartuje po približne 6 minútach. Keď sa výrobok po uplynutí tejto doby nereštartuje, obráťte sa na servis.
- Je aktívne rozmrazovanie. >>> To je normálne pre chladničku s plne automatickým rozmrazovaním. Odmrazovania sa vykonáva pravidelne.
- Produkt nie je zapojený do elektrickej siete >>> Uistite sa, že napájací kábel je zapojený.
- Nastavenie teploty je nesprávne. >>> Zvoľte zodpovedajúce nastavenie teploty.
- Nie je prúd. >>> Produkt bude naďalej fungovať normálne po obnovení napájania.

Prevádzkový hluk chladničky sa pri používaní zvyšuje.

- Prevádzkové výsledky tohto výrobku sa môžu líšiť v závislosti na zmenách teploty okolitého prostredia. To je normálne a nejedná sa o závalu.

Chladnička beží príliš často alebo príliš dlho.

Riešenie problémov

- Nový výrobok môže byť väčší ako ten predchádzajúci. Väčšia výroby budú pracovať po dlhšiu dobu.
- Teplota v miestnosti môže byť vysoká. >>> Výrobok bude v miestnosti s vyššou teplotou spustený po dlhšiu dobu.
- Výrobok mohol byť zapojený len nedávno alebo v ňom boli umiestnené nové položky potravín. >>> Výrobok dosiahne nastavenú teplotu dlhšie, keď bol len práve zapojený alebo doň boli umiestnené nové potraviny. To je normálne.
- Do výrobku bolo v poslednej dobe umiestnené veľké množstvo teplého jedla. >>> Nepokladajte horúce jedlo do výrobku.
- Dvere boli často otvorené alebo zostali otvorené po dlhšiu dobu. >>> Teplý vzduch pohybuje sa vo vnútri spôsobí, že výrobok bude v prevádzke dlhšie. Neotvárajte dvere chladničky príliš často.
- Dvere mrazničky alebo chladničky mohli zostať pootvorené. >>> Skontrolujte, či sú dvere úplne zatvorené.
- Výrobok môže byť nastavený na príliš nízku teplotu. >>> Nastavte teplotu na vyšší stupeň a počkajte, až výrobok dosiahne nastavenú teplotu.
- Podložky dvier chladničky alebo mrazničky môžu byť špinavé, opotrebované, rozbité alebo nesprávne nasadené. >>> Vyčistite alebo vymeňte podložky. Poškodené / roztrhané podložky dverí spôsobia, že výrobok bude bežať dlhšiu dobu pre zachovanie aktuálnej teploty.

Teplota mrazenia je veľmi nízka, ale teplota chladiča je dostačujúca.

- Teplota priestoru mrazničky je nastavená na veľmi nízky stupeň. >>> Nastavte teplotu v mrazničke na vyšší stupeň a znovu skontrolujte.

Teplota chladenia je veľmi nízka, ale teplota mrazničky je dostačujúca.

- Teplota priestoru chladničky je nastavená na veľmi nízky stupeň. >>> Nastavte teplotu v mrazničke na vyšší stupeň a znovu skontrolujte.

Potraviny uchovávané v chladnejších zásuvkách priestorov sú zmrazené.

- Teplota priestoru chladničky je nastavená na veľmi nízky stupeň. >>> Nastavte teplotu v mrazničke na vyšší stupeň a znovu skontrolujte.

Teplota v chladničke alebo v mrazničke je príliš vysoká.

- Teplota priestoru chladničky je nastavená na veľmi vysoký stupeň. >>> Nastavenie teploty chladiaceho priestoru má vplyv na teplotu v mraziacom priestore. Počkajte, až teplota príslušných častí dosiahne dostatočnú úroveň zmenou teploty chladiaceho alebo mraziaceho priestoru.
- Dvere boli často otvorené alebo zostali otvorené po dlhšiu dobu. >>> Neotvárajte dvere chladničky príliš často.
- Dvere môžu byť pootvorené. >>> Úplne zatvorte dvere.
- Výrobok mohol byť zapojený len nedávno alebo v ňom boli umiestnené nové položky potravín. >>> To je normálne. Výrobok dosiahne nastavenú teplotu dlhšie, keď bol len práve zapojený alebo doň boli umiestnené nové potraviny.
- Do výrobku bolo v poslednej dobe umiestnené veľké množstvo teplého jedla. >>> Nepokladajte horúce jedlo do výrobku.

Trasie sa alebo vydáva hluk.

- Podlaha nie je vo vodováhe alebo nie je odolná. >>> Ak sa výrobok trasie, keď sa pomaly pohybuje, nastavte stojany na vyrovnanie výrobku. >>> Uistite sa tiež, že podlaha je dostatočne odolná k tomu, aby uniesla produkt.
- Všetky položky umiestnené na výrobku môže spôsobiť hluk. >>> Odstráňte všetky položky umiestnené na výrobku.

Výrobok vytvára hluk tečúcej, striekajúcej kvapaliny a pod.

- Princíp fungovania tohto výrobku je založený na toku kvapalín a plynu. >>> To je normálne a nejedná sa o závalu.

Riešenie problémov

Z výrobu znie zvuk ako vanúci vietor.

- Výrobok pre proces chladenia používa ventilátor. To je normálne a nejedná sa o závalu.

Na vnútorných stenách výrobu sa vytvoril kondenzát.

- Horúce alebo vlhké počasie zvýši nárazu a kondenzáciu. To je normálne a nejedná sa o závalu.
- Dvere boli často otvorené alebo zostali otvorené po dlhšiu dobu. >>> Neotvárajte dvere príliš často, ak zostali otvorené, zatvorte ich.
- Dvere môžu byť pootvorené. >>> Úplne zatvorte dvere.

Vytvára sa kondenzát na vonkajšej strane výrobu alebo medzi dverami.

- Okolité prostredie môže byť vlhké, je to úplne normálne vo vlhkom počasí. >>> Kondenzácia sa rozptýli, keď sa zníži vlhkosť.

Interiér zapácha.

- Produkt nie je pravidelne čistený. >>> Pravidelne čistite vnútro pomocou hubky, teplej vody a sýtenej vody.
- Niektoré balenia a obalové materiály môže spôsobiť zápach. >>> Používajte balenia a obalové materiály bez zápachu.
- Potraviny boli umiestnené v neuzavretých baleniach. >>> Uchovávajte potraviny v uzavretých baleniach. Mikroorganizmy sa môžu z neuzavretých potravín rozšíriť a spôsobiť zápach. Z výrobu odstráňte všetky potraviny so zašlým dátumom spotreby a pokazené potraviny.

Dvere sa nezatvárajú.

- Balíčky s potravinami môžu blokovať dvere. >>> Premiestnite predmety blokujúce dvere.
- Produkt nestojí v úplne zvislej polohe na zemi. >>> Nastavte stojany pre uvedenie výrobu do zvislej polohy.
- Podlaha nie je vo vodováhe alebo nie je odolná. >>> Uistite sa, že podlaha je vyvážená a dostatočne odolná k tomu, aby uniesla produkt.

Zásobník na zeleninu sa zasekol.

- Potraviny môžu byť v kontakte s hornou časťou zásobníka. >>> Preusporiadajte potraviny v šuplíku.



VAROVANIE: Ak problém pretrváva aj po vykonaní pokynov v tejto časti, obráťte sa na svojho predajcu alebo na autorizovaný servis. Nepokúšajte sa opraviť produkt.

VYLÚČENIE ZODPOVEDNOSTI / UPOZORNENIE

Niektoré (jednoduché) poruchy môže koncový užívateľ adekvátne vyriešiť bez akýchkoľvek bezpečnostných rizík alebo nebezpečného použitia, ak sa tieto chyby opravujú v medziach stanovených limitmi a v súlade s nasledujúcimi pokynmi (pozri časť „Samoprava“).

Preto, pokiaľ nie je v nižšie uvedenej časti „Samoprava“ povolené niečo iné, opravy budú adresované registrovaným profesionálnym opravovňiam, az dôvodu predchádzania problémom s bezpečnosťou. Registrovaný profesionálny opravár je profesionálny opravár, ktorému výrobca udelil prístup k pokynom a zoznamu náhradných dielov tohto produktu v súlade s metódami opísanými v legislatívnych aktoch podľa smernice 2009/125/ES.

Avšak iba servisný zástupca (tj autorizovaný profesionálny servis), na ktorého sa môžete obrátiť prostredníctvom telefónneho čísla uvedeného v používateľskej príručke/ záručnom liste alebo prostredníctvom autorizovaného predajcu, môže poskytovať služby podľa záručných podmienok. Preto vás upozorňujeme, že opravy vykonané profesionálnymi opravármi (ktorí nemajú oprávnenie od spoločnosti Beko) majú za následok stratu záruky.

Samooprava

Konečný užívateľ môže vykonať samoopravu, pokiaľ ide o tieto náhradné diely: kľučka dverí, závesy dverí, podnosy, koše a tesnenia dverí (aktualizovaný zoznam je k dispozícii aj na webovej stránke support.beko.com.k 1. marca 2021).

Okrem toho, pre zaistenie bezpečnosti produktu a zabráneniu riziku vážneho zranenia, uvedená oprava sa musí vykonať podľa pokynov v používateľskej príručke pre opravu alebo ktoré sú k dispozícii v support.beko.com Z bezpečnostných dôvodov pred vykonaním akejkoľvek opravy odpojte produkt z elektrickej siete.

Opravy a pokusy o opravu koncovými používateľmi týkajúce sa častí, ktoré nie sú uvedené v zozname, a/alebo nedodržanie pokynov uvedených v používateľských príručkách pre samoopravu alebo ktoré sú k dispozícii v support.beko.com, by mohli vyvolať problémy v oblasti bezpečnosti, ktoré nemožno pripísať Beko a zrušia záruku poskytnutú na výrobok.

Preto sa dôrazne odporúča, aby sa koncoví používatelia zdržali pokusov o vykonanie opráv, ktoré nespádajú do uvedeného zoznamu náhradných dielov, a v takom prípade kontaktujte autorizované profesionálne opravovne alebo registrované profesionálne opravovne. Naopak, takéto pokusy koncových používateľov môžu spôsobiť problémy s bezpečnosťou a poškodiť produkt a následne spôsobiť požiar, vytypenie, elektrický zásah a vážne zranenie osôb.

Napríklad, okrem iného, nasledujúce opravy musí, a byť adresované autorizovanému profesionálnemu opravárovi alebo registrovanému profesionálnemu opravárovi: kompresor, chladiaci okruh, hlavný panel, panel invertora, panel displeja atď.

Výrobca / predajca v žiadnom prípade nemôže byť zodpovedný, ak koncoví používatelia nedodržiavajú vyššie uvedené záležitosti.

Dostupnosť náhradných dielov chladničky, ktorú ste kúpili, je 10 rokov. Počas tohto obdobia budú k dispozícii originálne náhradné diely pre správnu funkciu chladničky.

Minimálna záručná doba na Vami zakúpenú chladničku je 24 mesiacov.

Drogi kliencie,

Chcemy, abyś mógł uzyskać optymalną efektywność naszego produktu, który został wyprodukowany w nowoczesnym zakładzie i przy drobiazgowej kontroli jakości.

W tym celu prosimy przeczytać całą instrukcję obsługi przed użyciem produktu i przechowywać ją do ewentualnego użycia w przyszłości. Jeśli ten produkt zostanie przekazany innej osobie, prosimy przekazać tę instrukcję wraz z produktem.

Instrukcja obsługi zapewnia szybkie i bezpieczne korzystanie z produktu.

- Przed zainstalowaniem i rozpoczęciem korzystania z produktu należy przeczytać instrukcję obsługi.
- Należy zawsze przestrzegać mających zastosowanie instrukcji dotyczących bezpieczeństwa.
- Instrukcję obsługi należy mieć pod ręką, aby móc łatwo z niej korzystać.
- Prosimy przeczytać wszelkie inne dokumenty dostarczane wraz z produktem.

Należy pamiętać, że ta instrukcja obsługi może się odnosić do kilku modeli produktu. W instrukcji zostały wyraźnie określone różnice między modelami.

Symbole i uwagi

W tej instrukcji obsługi są używane następujące symbole:

	Ważne informacje i przydatne wskazówki.
	Zagrożenie dla życia i majątku.
	Zagrożenie porażeniem elektrycznym.
	Opakowanie produktu jest wykonane z materiałów umożliwiających recykling zgodnie z krajowymi przepisami środowiskowymi.

INFORMACJE



ENERGY



SUPPLIER'S NAME

MODEL IDENTIFIER

(*)

A

A

Informacje o modelu zapisane w bazie danych produktów można uzyskać, wchodząc na następującą stronę internetową i wyszukując identyfikator modelu (*) znajdujący się na etykiecie efektywności energetycznej.

<https://eprel.ec.europa.eu/>

1 Instrukcje dotyczące bezpieczeństwa i środowiska 3

1.1. Bezpieczeństwo ogólne	3
1.1.1 Ostrzeżenie HC	5
1.1.2 Dla modeli z wodotryskiem	5
1.2. Przeznaczenie	6
1.3. Bezpieczeństwo dzieci	6
1.4. Zgodność z dyrektywą WEEE i usuwanie odpadów:	6
1.5. Zgodność z dyrektywą RoHS:	6
1.6. Informacje o opakowaniu	6

2 Oto Twoja chłodziarka 7

3 Instalacja 8

3.1. Odpowiednie miejsce na instalację	8
3.2. Zakładanie klinów plastikowych	8
3.3. Regulacja nóżek	8
3.4. Połączenie elektryczne	9

4 Przygotowanie 10

4.1. Co zrobić, aby oszczędzać energię	10
4.2. Pierwsze uruchomienie	10

5 Użytkowanie chłodziarki 11

5.1. Panel wskaźników	11
5.2. Pojemnik na lód	14
5.3. Pojemnik na jajka	14
5.4. Wentylator	14
5.5. Pojemnik na warzywa	14
5.6. Komora o temperaturze zero	14
5.7. Użycie drugiego pojemnika na świeże warzywa	15
5.8. Ruchomy stelaż na drzwiach	16
5.9. Pojemnik przesuwany	16
5.10. Pochłaniacz zapachów	16
5.11. Pojemnik na warzywa z kontrolą wilgotności	17
5.12. Automatyczna maszyna do lodu	17
5.13. Kostkarka do lodu Icematic i pojemnik na lód	18

5.14. Korzystanie z dozownika wody	18
5.15. Napełnianie zbiornika dozownika wodą	19
5.16. Czyszczenie zbiornika na wodę	20
5.17. Tacka na krople	21
5.18. Zamrażanie żywności świeżej	22
5.19. Przechowywanie żywności mrożonej	22
5.20. Informacje o komorze głębokiego zamrażania	22
5.21. Rozmieszczenie żywności	23
5.22. Alarm o otwartych drzwiach	23
5.23. Zmiana kierunku otwierania drzwi	23
5.24. Oświetlenie wewnętrzne	23
5.25. Niebieskie światło/Harvest Fresh	24

6 Konserwacja i czyszczenie 25

6.1. Jak unikać nieprzyjemnych zapachów	25
6.2. Jak zabezpieczać powierzchnie plastikowe	25
6.3. Szkło w drzwiach	25

7 Rozwiązywanie problemów 26

1 Instrukcje dotyczące bezpieczeństwa i środowiska

Ten rozdział zawiera instrukcje dotyczące bezpieczeństwa służące unikaniu obrażeń i szkód materialnych. Nieprzestrzeganie tych instrukcji spowoduje unieważnienie wszelkich typów gwarancji produktu.

Zamierzone przeznaczenie

	OSTRZEŻENIE: Nie blokuj otworów wentylacyjnych urządzenia ani w zabudowie.
	OSTRZEŻENIE: Nie używaj urządzeń mechanicznych, ani innych środków do przyspieszenia procesu rozmrażania, poza tymi, które zaleca producent.
	OSTRZEŻENIE: Nie uszkodz obiegów chłodzącego.
	OSTRZEŻENIE: Nie używaj urządzeń elektrycznych w komorze do przechowywania żywności, chyba, że są rekomendowane przez producenta.

Urządzenie to jest przeznaczone do użytku domowego lub w podobnych miejscach, np.

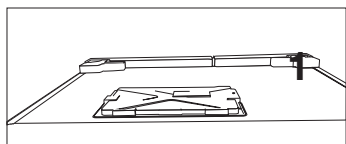
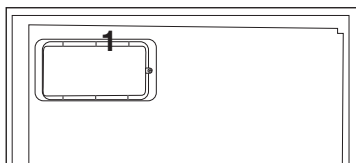
- w kuchniach personelu sklepu, biur i innych środowisk pracy;
- gospodarstwa rolne, przez klientów hoteli, moteli i innych miejsc typu mieszkalnego
- pensjonaty;
- catering i podobne aplikacje niehandlowe

1.1. Bezpieczeństwo ogólne

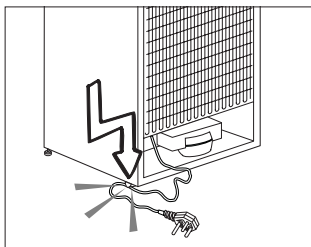
- Produkt nie może być używany przez osoby z niepełnosprawnością fizyczną, czuciową i umysłową, bez wystarczającej wiedzy i doświadczenia ani przez dzieci. Urządzenie może być używane przez takie osoby pod nadzorem i z użyciem wskazówek osoby odpowiedzialnej za ich bezpieczeństwo. Dzieciom nie wolno się bawić urządzeniem.
- W przypadku awarii urządzenia należy odłączyć od zasilania.
- Po odłączeniu należy odczekać przynajmniej 5 minut przed jego ponownym podłączeniem. Nieużywane urządzenie należy odłączyć od zasilania. Nie wolno dotykać wtyczki mokrymi rękami! Nie wolno ciągnąć za kabel, aby odłączyć zasilanie, zawsze należy trzymać za wtyk.
- Lodówki nie wolno podłączać do luźnego gniazda.
- Podczas instalacji, konserwacji, czyszczenia i naprawy produkt powinien być odłączony.
- Jeśli produkt nie będzie używany przez dłuższy czas, odłącz zasilanie i usuń całą żywność ze środka.
- Do czyszczenia lodówki i topienia lodu we wnętrzu nie wolno używać pary ani parowanych materiałów czyszczących. Para może trafić na powierzchnie elektryczne i spowodować zwarcie lub porażenie elektryczne!
- Nie wolno myć produktu, spryskując go lub polewając wodą! Zagrożenie porażeniem elektrycznym!

Instrukcje dotyczące bezpieczeństwa i środowiska

- Nigdy nie korzystaj z urządzenia, jeśli górna lub tylna jego część, zawierająca płytki obwodów drukowanych jest otwarta (osłona płytki obwodów drukowanych) (1).



- W przypadku awarii nie wolno używać produktu, ponieważ może to spowodować porażenie elektryczne. Przed wykonaniem jakichkolwiek czynności należy skontaktować się z autoryzowanym serwisem.
- Produkt należy podłączyć do uziemionego gniazdka. Uziemienie musi być wykonane przez wykwalifikowanego elektryka.
- Jeśli produkt ma oświetlenie typu LED, w celu wymiany lub usunięcia problemu należy się skontaktować z autoryzowanym serwisem.
- Nie wolno dotykać zamrożonej żywności mokrymi rękami! Może ona przymarznąć do rąk!
- Do komory zamrażarki nie wolno wkładać płynów w butelkach ani w puszkach. Mogą one wybuchnąć!
- Płyny należy stawiać pionowo po dokładnym zamknięciu pokrywy.
- W pobliżu produktu nie wolno rozpryskiwać substancji łatwopalnych, ponieważ mogą się one zapalić lub wybuchnąć.
- W lodówce nie wolno przechowywać materiałów łatwopalnych ani produktów z gazem łatwopalnym (aerzoli itp.).
- Na produkcie nie wolno kłaść pojemników z płynem. Zalanie wodą części elektrycznej może spowodować porażenie elektryczne i pożar.
- Narażenie produktu na deszcz, śnieg, bezpośrednie promienie słoneczne i wiatr spowoduje zagrożenie elektryczne. Podczas przemieszczania produktu nie wolno ciągnąć za uchwyt drzwiowy. Uchwyt może nie wytrzymać.
- Należy uważać, aby uniknąć pochwylenia ręki lub innej części ciała przez ruchome części wewnątrz produktu.
- Nie wolno stawać ani opierać się o drzwi, szuflady ani podobne części lodówki. Spowoduje to przewrócenie produktu i uszkodzenie części.
- Należy uważać, aby nie przytrzasnąć kabla zasilania.



- Podczas ustawiania urządzenia należy się upewnić, że przewód zasilający nie został przytrzaśnięty ani nie jest uszkodzony.
- Nie umieszcza przenośnej listwy zasilającej ani przenośnych zasilaczy z tyłu urządzenia.

Instrukcje dotyczące bezpieczeństwa i środowiska

- Lodówka Side by Side wymaga podłączenia do wody. Jeśli nie jeszcze dostępnego zaworu i musisz zadzwonić po hydraulika, zwróć uwagę na to, że: jeśli Twój dom jest wyposażony w system ogrzewania podłogowego, weź pod uwagę, że wiercenie otworów w betonowym suficie może uszkodzić ten system ogrzewania.
- Dzieci w wieku od 3 do 8 lat mogą wkładać żywność do chłodziarek i wyjmować ją.
- Aby uniknąć zanieczyszczenia żywności, należy przestrzegać poniższych wskazówek:
 - Otwarcie drzwi na dłuższy czas może spowodować znaczny wzrost temperatury w komorach chłodziarki.
 - Regularnie czyścić powierzchnie, które mogą mieć kontakt z żywnością i dostępnymi systemami odpływowymi.
 - Oczyszczyć zbiorniki wody, jeśli nie były używane przez 48 godz.; przepłukać system wodny podłączony do dopływu, jeśli woda nie była pobierana przez 5 dni.
 - Surowe mięso i ryby należy przechowywać w odpowiednich pojemnikach w lodówce, tak aby się z nimi nie stykały ani nie skapywały na inną żywność.
 - Komory na żywność mrożoną oznaczone dwiema gwiazdkami nadają się do przechowywania żywności wstępnie zamrożonej, przechowywania lub wytwarzania lodów oraz robienia kostek lodu.
- – Komory oznaczone jedną, dwiema lub trzema gwiazdkami nie nadają się do zamrażania świeżej żywności.
- – Jeżeli urządzenie chłodnicze ma być przez dłuższy czas puste, należy je wyłączyć, rozmrozić, oczyścić, wysuszyć i pozostawić otwarte drzwi, aby zapobiec rozwojowi pleśni wewnątrz urządzenia.

1.1.1 Ostrzeżenie HC

Jeśli produkt zawiera układ chłodzenia używający gazu R600a, należy uważać, aby nie uszkodzić układu chłodzenia i jego rurki podczas używania i przemieszczania produktu. Ten gaz jest łatwopalny. W razie uszkodzenia układu chłodzenia należy trzymać produkt z dala od źródeł ognia i natychmiast przewietrzyć pomieszczenie.



Etykieta wewnątrz z lewej strony wskazuje typ gazu użyty w produkcie.

1.1.2 Dla modeli z wodotryskiem

- Maksymalnie dopuszczalne ciśnienie dla dopływu zimnej wody wynosi 620 kPa (90 psi). Jeśli ciśnienie wody w Państwa instalacji przekroczy 550 kPa (80 psi), należy zastosować zawór ograniczający ciśnienie w Państwa sieci wodociągowej. Jeśli nie wiedzą Państwo w jaki sposób sprawdzić ciśnienie wody, prosimy poprosić o pomoc profesjonalnego hydraulika.
- Jeśli w Państwa instalacji występuje ryzyko uderzenia wodnego, należy zawsze stosować wyposażenie zapobiegające przed uderzeniem wodnym. Jeśli nie mają Państwo pewności co do występowania

Instrukcje dotyczące bezpieczeństwa i środowiska

efektu uderzenia wodnego w swojej instalacji, prosimy zasięgnąć porady u profesjonalnego hydraulika.

- Nie podłączać do dopływu ciepłej wody. Zachować środki ostrożności przed ryzykiem zamarznięcia przewodów. Temperatura robocza wody powinna mieścić się w zakresie od 0,6°C (33°F) do 38°C (100°F).
- Należy używać tylko wody pitnej.

1.2. Przeznaczenie

- Ten produkt jest przeznaczony do użytku domowego. Nie jest on przeznaczony do użytku komercyjnego.
- Produkt powinien być używany jedynie do przechowywania żywności i napojów.
- W lodówce nie wolno przechowywać produktów wymagających temperatur kontrolowanych (szczepionek, leków wrażliwych na ciepło, materiałów medycznych itd.).
- Producent nie bierze na siebie odpowiedzialności za jakiegokolwiek uszkodzenia spowodowane niepoprawnym użytkowaniem lub obsługą.
- Oryginalne części zamienne będą dostępne przez 10 lat od daty zakupu produktu.

1.3. Bezpieczeństwo dzieci

- Materiały opakowaniowe należy przechowywać poza zasięgiem dzieci.
- Nie wolno pozwalać dzieciom na zabawę produktem.
- Jeśli drzwi produktu mają zamek, klucz należy przechowywać poza zasięgiem dzieci.

1.4. Zgodność z dyrektywą WEEE i usuwanie odpadów:

Niniejszy wyrób jest zgodny z dyrektywą Parlamentu Europejskiego i Rady (2012/19/WE). Wyrób ten oznaczony jest symbolem klasyfikacji zużytych urządzeń elektrycznych i elektronicznych (WEEE).



Ten symbol oznacza, że sprzęt nie może być umieszczany łącznie z innymi odpadami gospodarstwa domowego po okresie jego użytkowania. Zużyte urządzenie należy oddać do specjalnego punktu zbiórki zużytego sprzętu elektrycznego i elektronicznego w celu utylizacji. Aby uzyskać informacje o punktach zbiórki w swojej okolicy należy skontaktować się z lokalnymi władzami lub punktem sprzedaży tego produktu. Gospodarstwo domowe spełnia ważną rolę w przyczynianiu się do ponownego użycia i odzysku zużytego sprzętu. Odpowiednie postępowanie ze zużytym sprzętem zapobiega potencjalnym negatywnym konsekwencjom dla środowiska naturalnego i ludzkiego zdrowia.

1.5. Zgodność z dyrektywą RoHS:

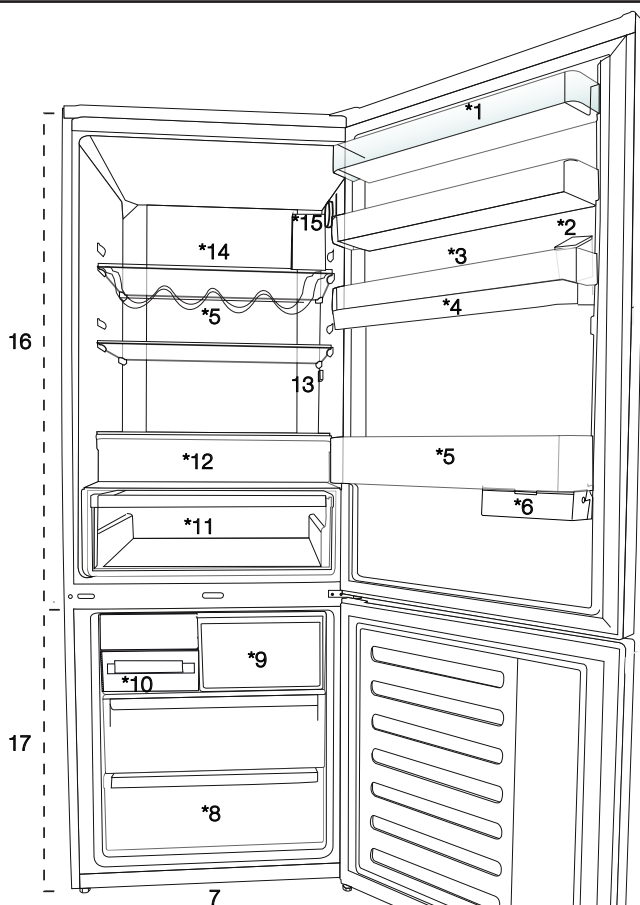
Niniejszy wyrób jest zgodny z dyrektywą Parlamentu Europejskiego i Rady RoHS (Ograniczenie użycia substancji niebezpiecznych) (2011/65/WE). Nie zawiera szkodliwych i zakazanych materiałów, podanych w tej dyrektywie.

1.6. Informacje o opakowaniu



Opakowanie tego wyrobu wykonano z materiałów nadających się do recyklingu, zgodnie z naszym ustawodawstwem krajowym. Nie wyrzucaj materiałów opakowaniowych do śmieci wraz z innymi odpadkami domowymi. Oddaj je w jednym z wyznaczonych przez władze lokalne punktów zbiórki materiałów opakowaniowych.

2 Oto Twoja chłodziarka



1. Półka w drzwiach komory chłodziarki
2. Zbiornik dozownika wody
3. Miejsce na jajka
4. Zbiornik dozownika wody
5. Półka na butelki
6. Pojemnik przesuwany
7. Regulowane nóżki
8. Komora głębokiego zamrażania
9. Komora szybkiego zamrażania
10. Tacka na kostki lodu & zapas kostek lodu
11. Pojemnik na warzywa
12. Komora o temperaturze zero
13. Oświetlenie wewnętrzne
14. Szklana półka komory chłodzenia
15. Przycisk regulacji temperatury
16. Komora chłodzenia
17. Komora zamrażalnika



***Opcjonalne:** Rysunki w tej instrukcji obsługi są tylko szkieletowe i mogą nie odpowiadać dokładnie posiadanemu produktowi. Jeśli posiadany produkt nie zawiera odpowiednich części, informacje dotyczą innych modeli.

3.1. Odpowiednie miejsce na instalację

W sprawie instalacji produktu skontaktuj się z autoryzowanym serwisem. Aby przygotować produkt do instalacji, zapoznaj się z informacjami w instrukcji użytkownika i sprawdź, czy zasilanie elektryczne i dopływ wody są zgodne z wymaganiami. Jeśli nie, skontaktuj się elektrykiem i hydraulikiem, aby dokonać stosownych zmian.



OSTRZEŻENIE: Producent nie bierze żadnej odpowiedzialności za szkody spowodowane pracami wykonywanymi przez osoby nieupoważnione.



OSTRZEŻENIE: Podczas instalacji kabel zasilający produktu musi być odłączony od sieci. W przeciwnym razie może to skutkować śmiercią lub poważnymi obrażeniami!



OSTRZEŻENIE: Jeśli drzwi są zbyt wąskie, aby przenieść przez nie produkt, zdejmij jego drzwiczki i obróć go na bok; jeśli to nie pomoże, skontaktuj się z autoryzowanym serwisem.

- Aby uniknąć wibracji, chłodziarkę należy ustawić na równej powierzchni.
- Zainstaluj produkty co najmniej 30 cm od podgrzewacza, piecyka i podobnych źródeł ciepła, oraz co najmniej 5 cm od kuchenek elektrycznych.
- Nie narażaj produktu na bezpośrednie działanie promieni słonecznych ani nie trzymaj go w wilgotnym otoczeniu.
- Produkt wymaga odpowiedniej cyrkulacji powietrza, aby działać wydajnie.
- Jeśli chłodziarka ma stać we wnęcie w ścianie, należy zwrócić uwagę, aby pozostawić co najmniej 5 cm odstępu od sufitu i ścian.
- Nie instaluj chłodziarki w miejscu, gdzie temperatura spada poniżej -5°C .
- Produkt wymaga odpowiedniej cyrkulacji powietrza, aby mógł działać skutecznie. Jeśli produkt zostanie umieszczony we wnęcie, pamiętaj o pozostawieniu co najmniej 5 cm

odstępu między produktem a sufitem, ścianą tylną i ścianami bocznymi.

- Jeśli produkt zostanie umieszczony we wnęcie, pamiętaj o pozostawieniu co najmniej 5 cm odstępu między produktem a sufitem, ścianą tylną i ścianami bocznymi. Sprawdź, czy element zabezpieczający tylną ścianę znajduje się na swoim miejscu (jeśli został dostarczany z produktem). Jeśli element nie jest dostępny lub został zgubiony, lub upadł, ustaw produkt w taki sposób, aby pozostawić przynajmniej 5 cm odstępu między przestrzenią za produktem a ścianami. Odstęp z tyłu jest ważny dla efektywnego działania produktu.

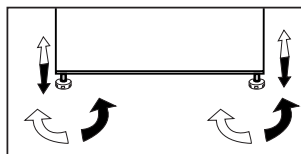
3.2. Zakładanie klinów plastikowych

Użyj klinów plastikowych dostarczonych wraz z produktem, aby zapewnić wystarczająco dużo miejsca na cyrkulację powietrza między produktem a ścianą.

1. Aby założyć kliny, wyjmij śruby z produktu i użyj śrub dostarczonych w tej samej torebce, co kliny.
2. Włóż 2 plastikowe kliny w tylną płytę wentylacyjną, jak pokazano na rysunku.




3.3. Regulacja nóżek

Jeśli produkt nie jest ustawiony równo, wyreguluj przednie regulowane nóżki, obracając je w prawo lub w lewo.




Instalacja

3.4. Połączenie elektryczne

	OSTRZEŻENIE: Do podłączania zasilania nie używaj przedłużacza ani wtyczki wielokrotnej.
	OSTRZEŻENIE: Wymianę uszkodzonego przewodu zasilającego należy zlecić autoryzowanemu serwisowi.
	W przypadku umieszczenia dwóch chłodziarek obok siebie należy zostawić między nimi odstęp przynajmniej 4 cm.

- Nasza firma nie bierze odpowiedzialności za jakiegokolwiek szkody powstałe na skutek używania bez uziemienia i korzystania z połączenia elektrycznego niezgodnego z przepisami krajowymi.
- Po instalacji wtyczka zasilania musi być łatwo dostępna.
- Nie używaj wtyczki wielokrotnej bez przedłużacza ani z nim do połączenia gniazdka w ścianie z chłodziarką.

	Ostrzeżenie o gorącej powierzchni W bocznych ściankach produktu poprowadzone są przewody z chłodziwem dla poprawy systemu chłodzenia. Czynnik chłodniczy w wysokich temperaturach może przepływać przez te obszary, co może bardzo rozgrzać powierzchnie ścianek bocznych. Jest to normalne i nie wymaga żadnego serwisowania. Proszę zachować ostrożność podczas dotykania tych obszarów.
--	---

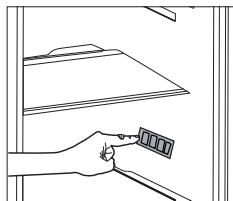
4.1. Co zrobić, aby oszczędzać energię



Podłączanie produktu do elektronicznych systemów oszczędzania energii jest niebezpieczne, ponieważ może uszkodzić produkt.

- W przypadku urządzenia wolnostojącego; „Urządzenie chłodnicze nie jest przeznaczone do stosowania jako urządzenie wbudowane”;
- Nie trzymaj chłodziarki otwartej przez dłuższy czas.
- Nie wkładaj gorącej żywności ani napojów do chłodziarki.
- Nie przepelniaj chłodziarki; zablokowanie wewnętrznego przepływu powietrza zmniejsza wydajność chłodzenia.
- Aby przechowywać maksymalną możliwą ilość żywności w komorze chłodzenia chłodziarki, należy wyjąć górne szuflady i umieścić żywność na półkach szklanych. Deklarowane zużycie energii chłodziarki zostało określone przy wyjęciu komory chłodzenia, tacki na lód i górnych szuflad w sposób, który umożliwi przechowywanie maksymalnej ilości żywności. Korzystanie z dolnej szuflady do przechowywania jest zdecydowanie zalecane. Należy włączyć funkcję oszczędzania energii w celu zoptymalizowania jej zużycia.
- Nie należy blokować przepływu powietrza, umieszczając żywność przed wentylatorem. Wkładając żywność, należy zachować minimum 3 cm odstępów od osłony wentylatora.
- W zależności od funkcji produktu; rozmrażanie zamrożonej żywności w komorze chłodzenia zapewni oszczędność energii i zachowanie jakości produktów spożywczych.
- Żywność należy przechowywać w szufladach w komorze chłodzenia, aby zapewnić oszczędność energii i lepsze warunki przechowywania.
- Pojemniki z żywnością nie powinny stykać się bezpośrednio z czujnikiem temperatury umieszczonym w komorze chłodzenia. Jeśli stykają się one z czujnikiem, zużycie energii przez urządzenie może wzrosnąć.
- Upewnij się, że żywność nie styka się z czujnikiem temperatury komory chłodzenia opisanym poniżej.

- Ponieważ gorące i wilgotne powietrze nie będzie miało bezpośredniego dostępu do Twojego produktu kiedy drzwi będą zamknięte, produkt dokona samodzielnej optymalizacji w warunkach wystarczających do ochrony Twojej żywności. W takich okolicznościach, funkcje i komponenty, takie jak kompresor, wentylator, podgrzewacz, rozmrażanie, oświetlenie, wyświetlacz itp. będą działały w taki sposób, aby zużywać minimalną potrzebną ilość energii.
- W przypadku wielu opcji półki szklane należy umieścić tak, aby wyloty powietrza znajdujące się na tylnej ścianie nie zostały zablokowane. Najlepiej, aby wyloty powietrza pozostawały pod szklaną półką. Poprawi to dystrybucję powietrza i efektywność energetyczną.



4.2. Pierwsze uruchomienie

Przed użyciem chłodziarki wykonaj odpowiednie przygotowania zgodnie z instrukcjami w sekcjach „Instrukcje dotyczące bezpieczeństwa i ochrony środowiska” i „Instalacja”.

- Zostaw produkt włączony bez żywności w środku na 6 godzin i nie otwieraj drzwi, jeśli nie jest to absolutnie konieczne.



Gdy zaczyna działać sprężarka, rozlega się dźwięk. Nawet jeśli sprężarka jest wyłączona, dźwięki są normalne z powodu skompresowanych cieczy i gazów w systemie chłodzenia.



Przednie krawędzie produktu mogą się nagrzewać. Jest to całkiem normalne. Te obszary zostały zaprojektowane, aby się nagrzewać w celu zapobiegnięcia kondensacji.

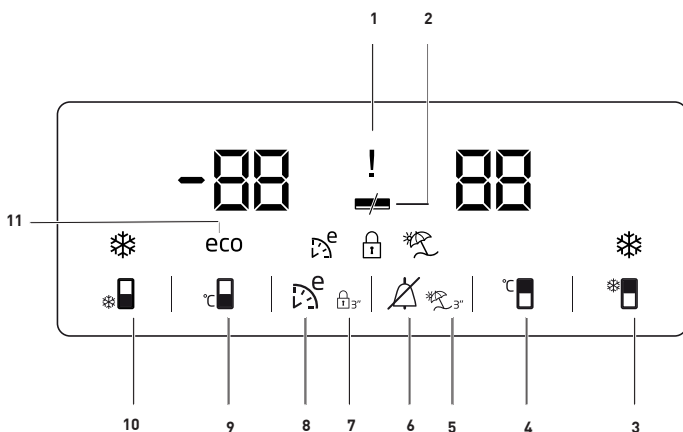


W niektórych modelach panel wskaźników wyłącza się automatycznie po 5 minutach od zamknięcia drzwi. Włącza się on ponownie w momencie otwarcia drzwi lub naciśnięcia dowolnego przycisku.

5 Użytkowanie chłodziarki

5.1. Panel wskaźników

Panel wskaźników umożliwia nastawianie temperatury i sterowanie innymi funkcjami produktu bez otwierania drzwi. Po prostu naciśnij napisy na odpowiednich przyciskach, aby ustawić funkcje.



1. Awaria zasilania/Wysoka temperatura/ Wskaźnik błędu

Wskaźnik ten (!) zaświeci się w przypadku awarii zasilania, wysokiej temperatury i ostrzeżeń o błędach.

Gdy temperatura w komorze zamrażarki podniesie się do poziomu krytycznego dla zamrożonej żywności, na cyfrowym wskaźniku zamiga maksymalna temperatura osiągnięta w komorze zamrażarki.

Sprawdź żywność w komorze zamrażarki

Nie jest to oznaką niesprawności urządzenia.

Ostrzeżenie można usunąć, naciskając dowolny przycisk lub przycisk wyłączenia alarmu wysokiej temperatury. (Anulowanie przez naciśnięcie dowolnego przycisku nie dotyczy wszystkich modeli).

Wskaźnik ten (!) świeci się również w przypadku awarii czujnika. Gdy wskaźnik ten się świeci, na wskaźniku temperatury wyświetlane są naprzemiennie „E” i cyfry, takie jak „1, 2, 3...”. Te liczby na wskaźniku informują personel serwisowy o błędzie.

2. Funkcji oszczędzania energii (wyświetlacz wyłączony)

Jeśli drzwiczki tego urządzenia są zamknięte przez dłuższy czas, funkcja oszczędzania energii uruchamia się automatycznie i zapala się symbol oszczędzania energii. (🔌)

Gdy czynna jest funkcja oszczędzania energii, gasną wszystkie inne symbole na wyświetlaczu. Funkcja oszczędzania energii wyłącza się za naciśnięciem dowolnego przycisku lub za otwarciem drzwiczek, a symbole na wyświetlaczu powracają do stanu normalnego.

Funkcja oszczędzania energii jest uruchamiana w czasie dostawy z fabryki i nie można jej skasować.

3. Funkcja szybkiego chłodzenia

Przycisk ma dwie funkcje. Aby włączyć lub wyłączyć funkcję szybkiego chłodzenia, naciśnij go krótko. Wskaźnik Quick Cool (Szybkiego chłodzenia) zgaśnie i ustawienia powrócą do normalnych wartości. (❄️)



***Opcjonalne:** Rysunki w tej instrukcji obsługi są tylko szkieletowe i mogą nie odpowiadać dokładnie posiadanemu produktowi. Jeśli posiadany produkt nie zawiera odpowiednich części, informacje dotyczą innych modeli.

Korzystanie z produktu

	Korzystaj z funkcji szybkiego chłodzenia, kiedy chcesz szybko schłodzić żywność umieszczoną w komorze chłodzenia. Jeśli schłodzona ma być znaczna ilość świeżej żywności, zaleca się uruchomienie tej funkcji przed włożeniem żywności do chłodziarki.
	Jeśli nie wyłączysz szybkiego chłodzenia, funkcja ta wyłączy się automatycznie po 1 godzinach lub gdy temperatura w komorze chłodzenia osiągnie żądaną wartość.
	Jeśli będziesz naciskać przycisk szybkiego zamrażania Quick Freeze kilkakrotnie co chwilę, uruchomi się elektroniczne zabezpieczenie i sprężarka nie zostanie bezzwłocznie uruchomiona.
	Funkcja ta nie zostanie wywołana przy przywróceniu zasilania po jego awaryjnym wyłączeniu.

4. Przycisk nastawienia temperatury w komorze chłodzenia

Naciśnij ten przycisk, aby nastawić temperaturę w komorze chłodzenia odpowiednio na 8,7, 6, 5,4,3, 2, 1, 8... Naciśnij ten przycisk, aby nastawić żądaną temperaturę w komorze chłodzenia. (🔧)

5. Funkcja Vacation

Aby wyłączyć funkcję Vacation naciśnij i przez 3 sekundy przytrzymaj ten przycisk (🔧), a włączy się wskaźnik trybu Vacation (🌂). Gdy czynna jest funkcja opróżniania, na wskaźniku temperatury w komorze chłodzenia wyświetla się "- -", i komora ta nie jest aktywnie chłodzona. Gdy ta funkcja ta jest załączona, nie należy trzymać żywności w komorze chłodzenia. Inne komory będą nadal

chłodzone odpowiednio do nastawionych w nich temperaturach.

Aby wyłączyć tę funkcję, ponownie naciśnij przycisk funkcji Vacation.

6. Zakończenie ostrzeżenia o wysokiej temperaturze:

W przypadku awarii zasilania/ostrzeżenia o wysokiej temperaturze, można usunąć ostrzeżenie (🔧), naciskając dowolny przycisk na wskaźniku lub przycisk wyłączania alarmu wysokiej temperatury na 1 sekundę, po uprzednim sprawdzeniu żywności w zamrażarce.

Uwaga: Anulowanie przez naciśnięcie dowolnego przycisku nie dotyczy wszystkich modeli.

7. Blokada przycisków

Naciśnij przycisk blokady przycisków [🔒] na 3 sekundy. Symbol blokady przycisków Zapali się (🔒) i włączy się tryb blokady przycisków. Przy załączonej blokadzie przyciski nie działają. Ponownie naciśnij przycisk Key Lock [Blokada przycisków] na 3 sekundy. Ikona blokady przycisków zgaśnie i blokada wyłączy się.

Naciśnij przycisk **blokady przycisków**, jeśli chcesz uniemożliwić zmianę ustawień temperatury w chłodziarce (🔒).

8. Eco fuzzy

Naciśnij i przez 1 sekundę przytrzymaj przycisk eco fuzzy, aby uruchomić funkcję oszczędnego użytkowania eco fuzzy. Chłodziarka zostanie uruchomiona w najbardziej oszczędnym trybie co najmniej 6 godzin później, a gdy funkcja ta jest aktywna zapali się wskaźnik oszczędnego użytkowania (🌿). Naciśnij i przez 3 sekundy przytrzymaj przycisk funkcji eco fuzzy, aby wyłączyć funkcję oszczędnego użytkowania eco fuzzy.

Wskaźnik ten zapala się po 6 godzinach, gdy jest włączona jest funkcja eco fuzzy.

Korzystanie z produktu

9. Przycisk nastawienia temperatury w komorze zamrażalnika.

Naciśnij ten przycisk, aby nastawić temperaturę w komorze zamrażalnika odpowiednio na -18, -19, -20, -21, -22, -23, -24, -18... Naciśnij ten przycisk, aby nastawić żadaną temperaturę w komorze zamrażalnika. (🔍)

10. Przycisk funkcji szybkiego zamrażania / włączania / wyłączenia Icematic

Aby włączyć lub wyłączyć funkcję szybkiego zamrażania, naciśnij ten przycisk. Kiedy włączysz tę funkcję, komora zamrażalnika zostanie schłodzona do temperatury niższej niż ustawiona wartość. (🔍) Aby włączyć lub wyłączyć kostkarkę Icematic, naciśnij ten przycisk i przytrzymaj go przez 3 sekundy.



Korzystaj z funkcji szybkiego chłodzenia, kiedy chcesz szybko schłodzić żywność umieszczoną w komorze chłodzenia. Jeśli schłodzona ma być znaczna ilość świeżej żywności, zaleca się uruchomienie tej funkcji przed włożeniem żywności do chłodziarki.



Jeśli nie wyłączysz szybkiego zamrażania, funkcja ta wyłączy się automatycznie po 24 godzinach lub gdy temperatura w komorze chłodzenia osiągnie żadaną wartość.



Funkcja ta nie zostanie wywołana przy przywróceniu zasilania po jego awaryjnym wyłączeniu.

11. Wskaźnik użytkownika oszczędnego

Wskazuje, że produkt działa w trybie oszczędzania energii. (eco) Wskaźnik ten będzie aktywny, jeśli temperaturę komory zamrażania nastawiono na -18 stopni lub zgodnie z funkcją Eco-Extra chłodzenie przebiega w trybie energooszczędnym.



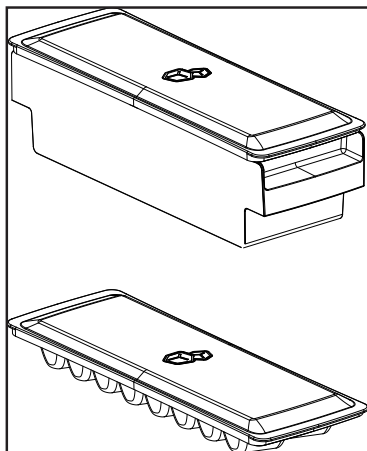
Wskaźnik użytkownika oszczędnego gaśnie, gdy zostanie wybrana funkcja szybkiego chłodzenia lub szybkiego zamrażania.

Korzystanie z produktu

5.2. Pojemnik na lód

(Opcja)

- Wyjmij pojemnik na lód z komory zamrażalnika.
- Wypełnij pojemnik na lód wodą.
- Włóż pojemnik na lód do komory zamrażalnika.
- Lód będzie gotowy za ok. dwie godziny. Wyjmij pojemnik na lód z komory zamrażalnika i zegnij go lekko nad pojemnikiem, w którym zamierzasz go podać. Lód łatwo wypadnie do pojemnika.



5.3. Pojemnik na jajka

Pojemnik na jajka możesz umieścić na drzwiach lub w głównej komorze. Jeśli zdecydujesz się go umieścić w głównej komorze, zaleca się korzystanie z dolnych półek, ponieważ jest tam chłodniej.

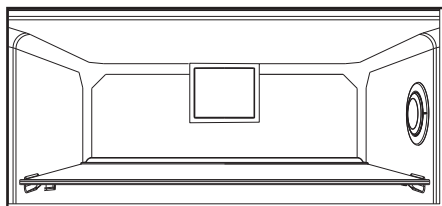


Nie wkładaj pojemnika na jajka do komory zamrażalnika.

5.4. Wentylator

Wentylator został zaprojektowany, aby równomiernie rozprowadzać chłodne powietrze we wnętrzu chłodziarki. Czas działania wentylatora może się różnić w zależności od własności chłodziarki.

W niektórych chłodziarkach wentylator działa tylko wtedy, kiedy sprężarka, w innych system sterowania określa czas działania w zależności od zapotrzebowania.



5.5. Pojemnik na warzywa

(Opcja)

Pojemnik na warzywa został zaprojektowany, aby utrzymać świeżość warzyw poprzez zachowanie wilgotności. W tym celu ogólna cyrkulacja zimnego powietrza jest intensywniejsza w tym pojemniku.

5.6. Komora o temperaturze zero

(Opcja)

Używaj tej komory, aby przechowywać delikaty w niższych temperaturach lub produkty mięsne do szybkiego spożycia. Komora o temperaturze zero to najchłodniejsze miejsce, gdzie możesz przechowywać artykuły spożywcze takie jak nabiał, mięso, ryby i drób w idealnych warunkach. W tej komorze nie należy przechowywać warzyw ani owoców.

5.7. Użycie drugiego pojemnika na świeże warzywa.



Rysunek 1.

Jak pokazano na rysunku, w drugiej komorze na świeże warzywa w modelu K70560 znajdują się 2 blokady.



Rysunek 2.

Zamknięty drugi pojemnik na świeże warzywa wygląda tak, jak pokazano na rysunku 2.



Rysunek 3.

Przy otwartych pod kątem 90° drzwiach wysunąć drugi pojemnik na świeże warzywa do pierwszej blokady, jak pokazano na rysunku 3.



W przypadku większego wysunięcia szuflady należy najpierw otworzyć drzwi przynajmniej pod kątem 135°. Następnie, jak pokazano na rysunku 4, podnieść drugi pojemnik na świeże warzywa na ok. 5 mm, aby zwolnić pierwszą blokadę.



Rysunek 4.

Po podniesieniu wysunąć drugą szufladę do drugiej blokady, jak pokazano na rysunku 5.

Rysunek 5.

Corystanie z produktu

5.8. Ruchomy stelaż na drzwiach

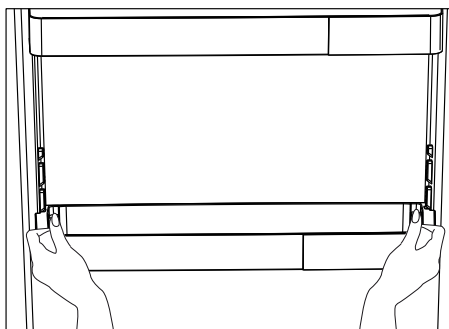
(Opcja)

Ruchomy stelaż na drzwiach można zamocować w 3 różnych pozycjach.

Aby przesunąć stelaż, naciśnij jednocześnie przyciski z boku. Stelaż można przesunąć.

Przesuń stelaż w górę lub w dół.

Kiedy stelaż znajdzie się w żądanej pozycji, zwolnij przyciski. Stelaż zostanie zamocowany w pozycji, w jakiej zwolnisz przyciski.

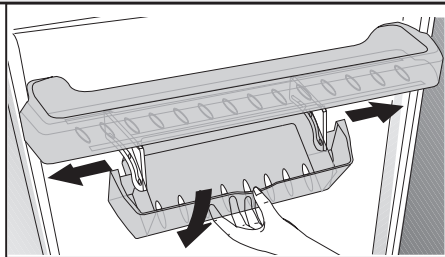


5.9. Pojemnik przesuwany

(Opcja)

Ten element wyposażenia został zaprojektowany, aby zwiększyć użyteczność stelaży na drzwiach.

Dzięki możliwości przesuwania na boki, ułatwia on ułożenie długiej butelki, słoika lub pudełeczka, które wkładasz w uchwyt na butelki poniżej.



5.10. Pochłaniacz zapachów

(FreshGuard) * opcja

Pochłaniacz zapachów błyskawicznie usuwa z lodówki nieprzyjemne zapachy, zanim przenikną do powierzchni. Urządzenie znajduje się na suficie komory na świeżej żywności. Dzięki niemu nieprzyjemne zapachy zostają zneutralizowane podczas aktywnego przepływu powietrza przez filtr zapachowy. Po oczyszczeniu powietrze wraca do komory na świeżą żywność. Dzięki temu nieprzyjemne zapachy pochodzące z żywności przechowywanej w lodówce zostają usunięte, zanim przenikną do powierzchni.

Jest to możliwe dzięki wentylatorowi, diodzie LED oraz filtrowi zapachowemu – wszystkie te elementy stanowią integralną część pochłaniacza zapachów. Podczas codziennego użytkowania pochłaniacz zapachów okresowo włącza się automatycznie. Aby zapewnić skuteczne działanie wyrobu, zaleca się wymianę filtra zapachowego przez autoryzowany serwis co 5 lat. Ponieważ pochłaniacz zapachów jest wyposażony w wentylator, podczas pracy emituje hałas – jest to normalne zjawisko. W przypadku gdy drzwi komory na świeżą żywność zostaną otwarte podczas pracy pochłaniacza, wentylator wstrzyma działanie, a po zamknięciu drzwi wznowi pracę po pewnym czasie. W przypadku awarii zasilania pochłaniacz wznowi pracę po przywróceniu zasilania na tym samym etapie cyklu działania, na którym została ona przerwana.

Korzystanie z produktu

Informacja: Zaleca się przechowywanie żywności o silnym zapachu (takiej jak sery, oliwki i wyroby garmażeryjne) w zamkniętym opakowaniu, aby uniknąć nieprzyjemnej woni powstałej na skutek wymieszania zapachów różnych produktów. Ponadto zaleca się szybkie wyjmowanie z lodówki zepsutych produktów, aby zapobiec nieprzyjemnym zapachom oraz zepsuciu innych artykułów.

5.11. Pojemnik na warzywa z kontrolą wilgotności

(Opcja)

Funkcja kontroli wilgotności umożliwia zachowanie odpowiedniej wilgotności warzyw i owoców oraz zapewnia dłuższą świeżość żywności.

Zaleca się w miarę możliwości przechowywanie w pojemniku warzyw liściastych, jak sałata, szpinak itp. w pozycji poziomej, a nie opartych o korzeń, ze względu na utratę wilgotności.

Układając warzywa, ciężkie i twarde należy układać na dole, a lekkie i miękkie na górze, biorąc pod uwagę konkretną wagę warzyw.

Nie zostawiać w pojemniku warzyw w plastikowych torebkach. Zostawienie ich w plastikowej torebce spowoduje, że szybko zgniją. W sytuacjach, kiedy styczność z innymi warzywami jest niezalecana, używaj materiałów opakowaniowych takich jak papier, które mają pewną porowatość pozwalającą zachować higienę.

Nie wkładaj owoców, które wydzielają dużo gazowego etylenu, jak gruszki, morele, brzoskwinie, a przede wszystkim jabłka, do tego samego pojemnika na warzywa, co inne warzywa i owoce. Gazowy etylen wydobywający się z tych owoców może spowodować szybsze dojrzewanie i gnicie pozostałych warzyw i owoców.

5.12. Automatyczna maszyna do lodu

(Opcja)

Automatyczna maszyna do lodu umożliwia łatwe wytwarzanie lodu w chłodziarce. Aby wytworzyć lód za pomocą maszyny do lodu, wyjmij zbiornik wody z komory chłodzenia, napełnij go wodą i włóż z powrotem.

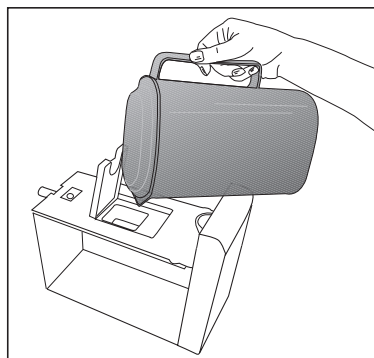
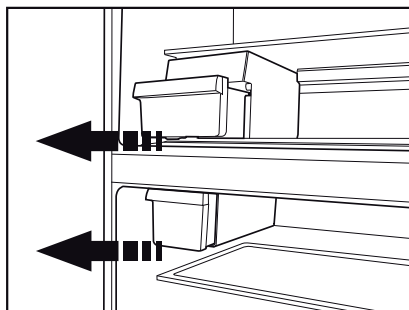
Pierwszy lód powstanie po dwóch godzinach w szufladzie na lód znajdującej się w komorze chłodzenia.

Po włożeniu pełnego zbiornika wody możesz uzyskać z niego 60-70 kostek lodu.

Jeśli woda w zbiorniku stała przez 2-3 tygodnie, należy ją wymienić.



W przypadku produktów z automatyczną maszyną do lodu możesz słyszeć dźwięk podczas wysypywania lodu. Jest to zupełnie normalne i nie świadczy o awarii.



Korzystanie z produktu

5.13. Kostkarka do lodu Icematic i pojemnik na lód

*opcja

Obsługa kostkarki do lodu Icematic

Napełnij Icematic wodą i włóż do obudowy. Lód będzie gotowy za ok. dwie godziny. Nie wyjmuj Icematic z obudowy, aby wyjąć lód.

Obróć pokrętkę na zbiornikach lodu zgodnie z ruchem wskazówek zegara o 90 stopni.

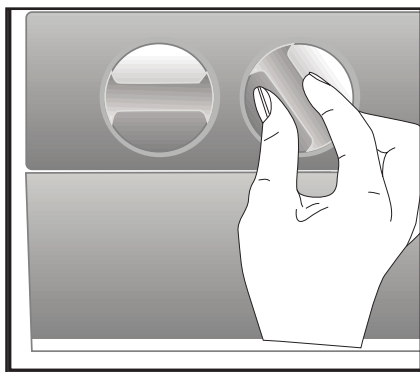
Kostki lodu w zbiornikach wypadną do pojemnika na lód pod nimi.

Teraz możesz wyjąć pojemnik na lód i podać kostki lodu.

Jeśli chcesz, możesz trzymać kostki lodu w tym pojemniku.

Pojemnik na lód

Pojemnik na lód służy wyłącznie do gromadzenia kostek lodu. Nie wlewaj do niego wody. W przeciwnym razie ulegnie uszkodzeniu.



5.14. Korzystanie z dozownika wody

*opcja



Pierwsze kilka szklanek wody z dozownika mogą być ciepłe i jest to całkiem normalne.

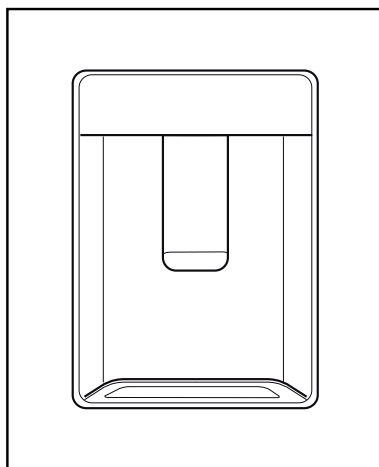


Jeżeli dozownika wody nie używa się przez dłuższy czas, wylewa się pierwsze kilka szklanek wody, aby uzyskać wodę świeżą.

1. Naciśnij szklanką dźwignię dozownika wody. Jeśli korzystasz z miękkiego plastikowego kubka, naciśnięcie dźwigni ręką będzie łatwiejsze.
2. Po napełnieniu kubka dożądanego poziomu puść dźwignię.



Prosimy zwrócić uwagę, że ilość wody wypływającej z dozownika zależy od tego, jak bardzo wciśnięto dźwignię. W miarę jak podnosi się poziom wody w kubku lub szklance delikatnie zmniejszaj nacisk na dźwignię, aby uniknąć przelania się wody. Jeśli lekko nacisnąc ramię, woda kapie, co jest całkiem normalne i nie świadczy o awarii.



Korzystanie z produktu

5.15. Napełnianie zbiornika dozownika wodą

Zbiornik wody mieści się w stelażu na drzwiach.

1. Otwórz pokrywę zbiornika.
2. Napełnij zbiornik świeżą wodą pitną.
3. Zamknij pokrywkę.



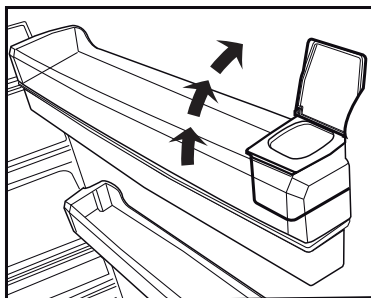
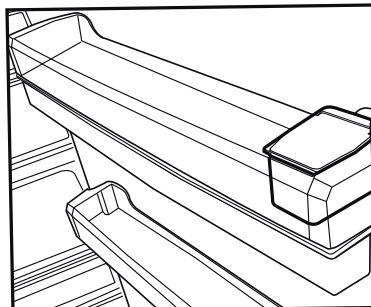
Nie napełniaj zbiornika na wodę innym płynem niż woda, np. sokiem owocowym, napojem gazowanym, czy napojem alkoholowym, które nie nadają się do stosowania w zbiorniku na wodę. Użycie płynu tego rodzaju spowoduje trwałe uszkodzenie dozownika. Użytkowania takiego nie obejmuje gwarancja. Pewne zawarte w takich płynach substancje chemiczne i dodatki mogą uszkodzić zbiornik na wodę.



Używaj tylko świeżej, czystej wody pitnej.



Pojemność zbiornika na wodę wynosi 3 litry, nie należy jej przekraczać.



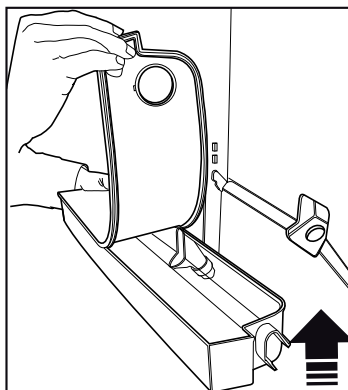
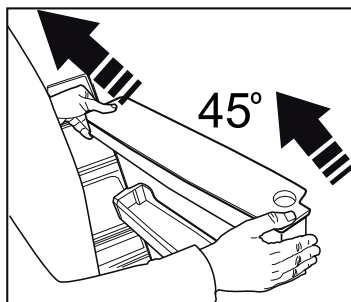
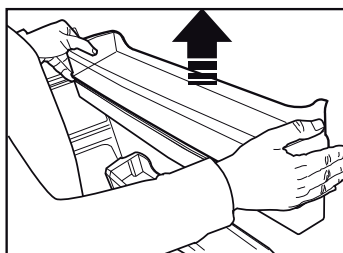
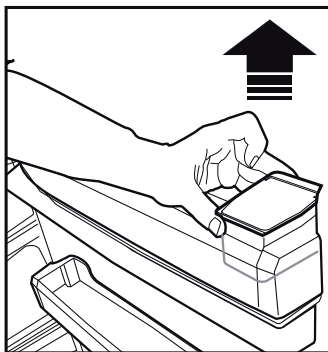
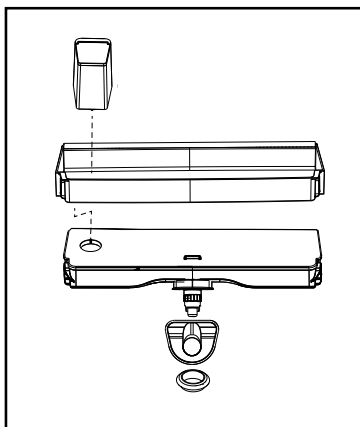
Korzystanie z produktu

5.16. Czyszczenie zbiornika na wodę

1. Wyjmij zbiornik na wodę ze stelaża na drzwiach.
2. Wyjmij stelaż na drzwiach, trzymając go z obu stron.
3. Chwyć zbiornik na wodę z obu stron i wyjmij go pod kątem 45°C.
4. Zdejmij pokrywę zbiornika na wodę i wyczyść go.



Elementów zbiornika i dozownika nie należy myć w zmywarkach do naczyń.



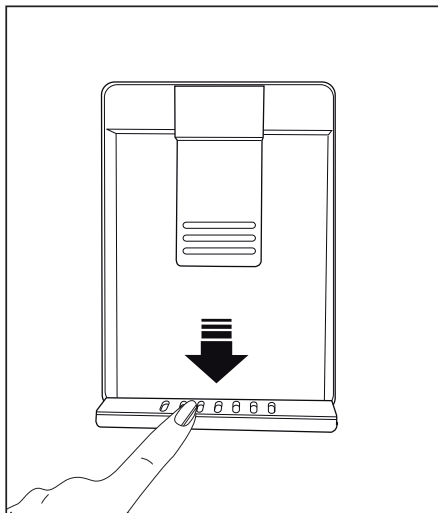
Korzystanie z produktu

5.17. Tacka na krople

Woda, która kapie przy korzystaniu z dozownika zbiera się w tacce na krople.

Wyjmij plastikowy filtr tak jak pokazano na rysunku.

Wytrzyj zebraną wodę za pomocą czystej i suchej ściereczki.



HerbBox/HerbFresh

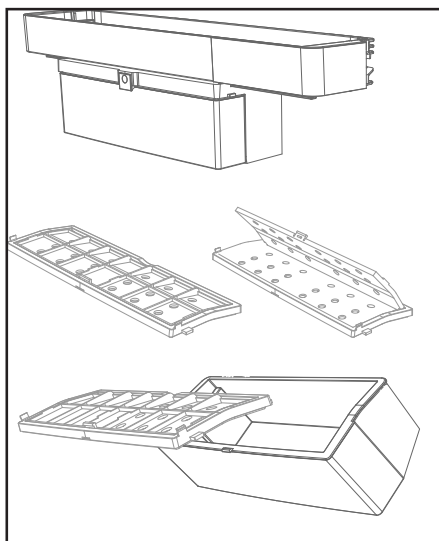
Wyjmij woreczek foliowy z pojemnika HerbBox/HerbFresh+.

Wyjmij folię z woreczka i włóż do ją do osłony tak, jak pokazano na ilustracji.

Zamknij pojemnik i umieść go w części HerbBox/HerbFresh+.

HerbBox/HerbFresh+ jest idealne do przechowywania różnorodnych, delikatnych ziół, wymagających odpowiednich warunków. W pojemniku tym możesz przechowywać na poziomo zioła wyjęte z opakowań (pietruszka, koperek, itp.), co zapewni im świeżość przez znacznie dłuższy okres.

Folię należy wymieniać co pół roku.



Corystanie z produktu

5.18. Zamrażanie żywności świeżej

- Aby zachować jakość żywności, produkty spożywcze włożone do komory zamrażalnika powinny zostać zamrożone jak najszybciej. W tym celu użyj funkcji szybkiego zamrażania.
- Zamrażanie świeżych produktów spożywczych przedłuży ich czas przechowywania w komorze zamrażalnika.
- Zapakuj produkty spożywcze w hermetyczne opakowania i dobrze zamknij.
- Sprawdź, czy produkty są zapakowane przed włożeniem ich do zamrażalnika. Użyj pojemników do zamrażalnika, folii aluminiowej, papieru pergaminowego, woreczków plastikowych lub podobnych materiałów opakowaniowych zamiast tradycyjnego papieru do pakowania.
- Oznacz każde opakowanie przed zamrożeniem, pisząc na nim datę. Pozwoli Ci to określić świeżość każdego opakowania za każdym otwarciem zamrażalnika. Przechowuj wcześniej włożone produkty spożywcze z przodu, aby zostały użyte pierwsze.
- Zamrożone produkty należy zużyć zaraz po rozmrożeniu i nie wolno ich zamrażać ponownie.
- Nie należy zamrażać dużych ilości żywności na raz.



Lód w komorze zamrażania jest rozmrażany automatycznie.

Regulacja temperatury w komorze zamrażalnika.	Regulacja temperatury w komorze chłodzenia.	Informacje
-18°C	4°C	To domyślne, zalecane ustawienie.
-20, -22 lub -24°C	4°C	Te ustawienia są zalecane, jeśli temperatura otoczenia przekracza 30°C.
Quick Freeze	4°C	Funkcji tej używa się do szybkiego zamrażania żywności. Kiedy ten proces się zakończy, chłodziarka wróci do poprzedniego ustawienia.
-18°C lub zimniej	2°C	Użyj tych ustawień, jeśli uważasz, że w komorze chłodzenia nie jest dostatecznie zimno z powodu temperatury otoczenia lub częstego otwierania drzwiczek.

5.19. Przechowywanie żywności mrożonej

Temperatura komory musi być ustawiona na co najmniej -18°C.

1. Zamrożone produkty należy wkładać do zamrażalnika możliwie jak najszybciej, aby uniknąć rozmrożenia.
2. Przed zamrożeniem sprawdź datę ważności na opakowaniu, aby mieć pewność, że jest ona aktualna.

3. Sprawdź, że opakowanie żywności nie jest uszkodzone.

5.20. Informacje o komorze głębokiego zamrażania

Zgodnie ze standardem IEC 62552 zamrażalnik musi mieć zdolność zamrożenia 4,5 kg żywności w temperaturze -18°C lub niższej w ciągu 24 godzin na każde 100 litrów objętości komory zamrażalnika.

Corzystanie z produktu

Produkty spożywcze można przechowywać przez dłuższy czas tylko w temperaturze -18°C lub niższej.

Możesz zachować świeżość żywności przez kilka miesięcy (w komorze głębokiego zamrażania w temperaturze -18°C lub niższej). Produkty spożywcze, które mają zostać zamrożone, nie mogą się stykać z już zamrożonymi produktami, aby uniknąć ich częściowego rozmrożenia.

Ugotuj warzywa i filtruj wodę, aby przedłużyć czas przechowywania. Umieść żywność w hermetycznych opakowaniach po filtrowaniu i umieść w zamrażalniku. Banany, pomidory, sałata, seler, gotowane jajka, ziemniaki i podobne artykuły nie powinny być zamrażane. Jeśli te artykuły zepsują się, wpłynie to negatywnie tylko na wartości odżywcze i smak. Zepsucie zagrażające zdrowiu ludzkiemu nie wchodzi w grę.

5.21. Rozmieszczenie żywności

Półki w komorze zamrażalnika	Różne mrożonki, np. mięso, ryby, lody, warzywa itp.
Półki komory chłodzenia	Produkty spożywcze w garnkach, na przykrytych talerzach, zamkniętych pudełkach, jajka (w zamkniętym pudełku)
Półki na drzwiach komory chłodzenia	Małe i zapakowane produkty spożywcze oraz napoje
Pojemnik na warzywa	Owoce i warzywa
Komora na żywność świeżą	Delikatesy (produkty śniadaniowe, produkty mięsne do szybkiego spożycia)

5.22. Alarm o otwartych drzwiach (Opcja)

Jeśli drzwi chłodziarki będą otwarte przez co najmniej minutę, rozlegnie się słyszalny alarm. Alarm ten wyłączy się po zamknięciu drzwi lub naciśnięciu dowolnego przycisku na wyświetlaczu (jeśli dostępny).

Alarm o otwartych drzwiach jest prezentowany użytkownikowi słyszalnie i wizualnie. Oświetlenie wewnętrzne wyłączy się, jeśli ostrzeżenie będzie trwało 10 min.

5.23. Zmiana kierunku otwierania drzwi

Możesz zmienić kierunek otwierania chłodziarki, w zależności od miejsca użytkowania. Jeśli musisz to zrobić, skontaktuj się z najbliższym autoryzowanym serwisem. Powyższe wyjaśnienie to stwierdzenie ogólne. Aby uzyskać informacje o możliwości zmiany kierunku otwierania drzwi, sprawdź etykietę ostrzegawczą wewnątrz opakowania produktu.

5.24. Oświetlenie wewnętrzne

Oświetlenie wewnętrzne korzysta z lampek typu LED. W przypadku problemów z lampką skontaktuj się z autoryzowanym serwisem. Lampek używanych w tym urządzeniu nie można użyć do oświetlania domu. Zgodne z przeznaczeniem użycie tej lampki to pomoc użytkownikowi w bezpiecznym i wygodnym umieszczeniu żywności w chłodziarce/ zamrażalniku.

Korzystanie z produktu

5.25. Niebieskie światło/ Harvest Fresh

*** Funkcja nie jest dostępna w niektórych modelach**

W przypadku niebieskiego światła,

owoce i warzywa przechowywane w pojemnikach oświetlonych niebieskim światłem dalej wytwarzają fotosyntezę. Dzieje się tak dzięki efektowi długości fali niebieskiego światła, a tym samym zachowują one witaminy.

W przypadku Harvest Fresh,

owoce i warzywa przechowywane w pojemnikach oświetlonych technologią Harvest Fresh dłużej zachowują witaminy. Dzieje się tak dzięki cyklom niebieskiego, zielonego, czerwonego światła oraz ciemności, które symulują cykl dzienny.

Jeśli otworzysz drzwi lodówki podczas ciemnego cyklu technologii Harvest Fresh, lodówka automatycznie to wykryje i umożliwi niebiesko-zielone lub czerwone światło, aby podświetlić pojemnik na warzywa. Po zamknięciu drzwi lodówki cykl ciemności będzie kontynuowany, symulując noc w cyklu dziennym.

6 Konserwacja i czyszczenie

Czas eksploatacji urządzenia wydłuża się, jeśli jest ono regularnie czyszczone.



OSTRZEŻENIE: Przed czyszczeniem chłodziarki odłącz ją od prądu.

- Do czyszczenia nie wolno stosować żadnych ostrych ani szorstkich narzędzi, mydła, domowych środków czystości, detergentów, ani wosku do polerowania.
- Rozpuść łyżeczkę węglanu w pół litrze wody. Namoczyć ściereczkę w roztworze i dokładnie ją wyźmij. Przetrzyj wnętrze chłodziarki tą ściereczką i dokładnie wytrzyj do sucha.
- Dbaj, aby do obudowy lampki i innych urządzeń elektrycznych nie dostała się woda.
- Wyczyść drzwi wilgotną ściereczką. Aby wyjąć półki z drzwi i wnętrza chłodziarki, opróżnij je z całej zawartości. Wyjmij półki z drzwi, przesuwając je w górę. Po oczyszczeniu, wsuń je od góry do dołu, aby włożyć na miejsce.
- Do czyszczenia powierzchni zewnętrznych i chromowanych części produktu nie należy używać ani środków czyszczących, ani wody z zawartością chloru. Chlor powoduje korozję takich powierzchni metalowych.
- Nie używaj ostrych ani szorstkich narzędzi, mydła, domowych środków czystości, detergentów, nafty, oleju napędowego, lakieru itp., aby zapobiec odpadnięciu i odkształceniu plastikowych części. Do czyszczenia użyj letniej wody i miękkiej ściereczki, a następnie wytrzyj do sucha.

6.1. Jak unikać nieprzyjemnych zapachów

Do wyrobu chłodziarek nie używa się materiałów powodujące zapachy. Jednak w wyniku niewłaściwego przechowywania żywności i nieczyszczenia wnętrza chłodziarki mogą powstawać nieprzyjemne zapachy.

A zatem co 15 dni czyść chłodziarkę roztworem węglanu w wodzie.

- Żywność przechowuje się w zamkniętych pojemnikach. Wydostające się z odkrytych pojemników mikroorganizmy mogą powodować nieprzyjemne zapachy.

- W chłodziarce nie wolno przechowywać żywności zepsutej ani takiej, której termin przydatności do spożycia upłynął.

6.2. Jak zabezpieczać powierzchnie plastykowe.

Wymyć od razu ciepłą wodą, ponieważ olej może spowodować uszkodzenie plastikowej powierzchni.

6.3. Szkło w drzwiach

Zdejmij folię ochronną ze szkła.

Na powierzchni szkła znajduje się pokrycie.

To pokrycie ogranicza możliwość powstawania plam i ułatwia usuwanie ewentualnych plam i zabrudzeń. Szkło niechronione takim pokryciem może ulec trwałemu zabrudzeniu organicznymi lub nieorganicznymi związkami opartymi na powietrzu lub wodzie, jak kamień, sole mineralne, niespalone węglowodory, tlenki metali i silikony, które łatwo i szybko powodują powstanie plam i szkody materialne. Utrzymanie szkła w czystości staje się zbyt trudne pomimo regularnego czyszczenia. W konsekwencji pogarsza się wygląd i zmniejsza przezroczystość szkła. Ostre i szorstkie metody i środki czyszczące zwiększą te problemy i przyspieszą proces niszczenia.

Należy używać niezasadowych i łagodnych środków czyszczących opartych na wodzie.

Do czyszczenia należy używać niezasadowych i łagodnych środków czyszczących, aby wydłużyć trwałość tej powłoki.

Szkło to hartuje się, aby zwiększyć odporność na uderzenie i pęknięcie.

Na jego tylne powierzchnie nakłada się także folie ochronne jako dodatkowe zabezpieczenie w celu zapobieżenia szkodom w otoczeniu w przypadku jego pośluzczenia.

* Zasady to podstawa do tworzenia jonów wodorotlenku (OH⁻) po rozpuszczeniu w wodzie. Li (lit), Na (sód), K (potas) Rb (rubid), Cs (cez) oraz sztuczny i radioaktywny Fr (frans) są nazywane METALAMI ALKALICZNYMI.

Przed skontaktowaniem się z serwisem należy sprawdzić tę listę. Umożliwi to zaoszczędzenie czasu i pieniędzy. Ta lista zawiera często spotykane problemy niezwiązane z wadami jakości wykonania lub materiałów. Pewne wymienione tutaj funkcje mogą nie dotyczyć posiadanego produktu.

Lodówka nie działa.

- Wtyk zasilania nie jest włożony do końca.
>>> Dociśnij go do końca w gniazdku.
- Bezpiecznik podłączony do gniazda zasilającego produkt lub bezpiecznik główny jest przepalony. >>> Sprawdź bezpieczniki.

Kondensacja na bocznej ścianie komory chłodziarki (WIELOSTREFOWE, CHŁODZENIE, KONTROLA I STREFA ELASTYCZNA).

- Drzwi są za często otwierane >>> Należy pamiętać, aby nie otwierać drzwi produktu za często.
- Środowisko jest za wilgotne. >>> Produktu nie należy instalować w wilgotnych środowiskach.
- Żywność zawierająca płyny jest przechowywana w nieszczelnych opakowaniach. >>> Żywność zawierająca płyny należy przechowywać w zamkniętych opakowaniach.
- Drzwi produktu pozostały otwarte. >>> Nie wolno pozostawiać otwartych drzwi produktu przez długi czas.
- Termostat jest ustawiony na za niską temperaturę. >>> Ustaw termostat na odpowiednią temperaturę.

Sprężarka nie działa.

- W przypadku nagłej awarii zasilania lub wyciągnięcia kabla zasilającego z gniazda i podłączenia go z powrotem ciśnienie gazu w układzie chłodzenia produktu jest nierównoważone, co wyzwała zabezpieczenie termiczne sprężarki. Produkt ponownie się uruchomi po około 6 minutach. Jeśli produkt nie uruchomi się po tym czasie, skontaktuj się z serwisem.
- Odmrażanie jest aktywne. >>> To jest normalne w przypadku produktu z całkowicie zautomatyzowanym odmrażaniem. Odmrażanie odbywa się okresowo.
- Produkt nie jest podłączony. >>> Upewnij się, że kabel zasilania jest podłączony.
- Nastawa temperatury jest niepoprawna. >>> Wybierz poprawną nastawę temperatury.
- Brak zasilania. >>> Po przywróceniu zasilania produkt będzie kontynuował normalną pracę.

Hałas pracy lodówki zwiększa się podczas używania.

- Wydajność robocza produktu może się zmieniać w zależności od zmian temperatury otoczenia. To jest sytuacja normalna, a nie awaria.

Lodówka włącza się za często lub na zbyt długo.

Rozwiązywanie problemów

- Nowy produkt może być większy niż poprzedni. Większe produkty pracują dłużej.
- Temperatura w pomieszczeniu może być wysoka. >>> Produkt będzie normalnie działał przed dłuższy czas przy wyższej temperaturze w pomieszczeniu.
- Produkt mógł zostać niedawno podłączony lub do środka została włożona nowa porcja żywności. >>> Produkt będzie potrzebował więcej czasu na osiągnięcie ustawionej temperatury, jeśli został niedawno podłączony lub do środka została włożona nowa porcja żywności. To jest normalne.
- Do produktu włożono ostatnio dużą ilość gorącej żywności. >>> Do produktu nie wolno wkładać gorącej żywności.
- Drzwi były często otwierane lub były otwarte przez dłuższy czas. >>> Ciepłe powietrze przedostające się do środka spowoduje wydłużenie pracy produktu. Nie należy za często otwierać drzwi.
- Drzwi zamrażarki lub chłodziarki mogą być uchylone. >>> Sprawdź, czy drzwi są całkowicie zamknięte.
- Produkt może mieć ustawioną za niską temperaturę. >>> Ustaw wyższą temperaturę i poczekaj aż produkt ją osiągnie.
- Uszczelka drzwi chłodziarki lub zamrażarki może być zabrudzona, zużyta, uszkodzona lub niepoprawnie ułożona. >>> Oczyszczyć lub wymieść uszczelkę. Uszkodzona/podarta uszczelka drzwi spowoduje wydłużenie działania produktu w celu utrzymania bieżącej temperatury.

Temperatura zamrażarki jest bardzo niska, ale temperatura chłodziarki jest odpowiednia.

- Temperatura komory zamrażarki jest ustawiona bardzo nisko. >>> Ustaw wyższą temperaturę komory zamrażarki i sprawdź ponownie.

Temperatura chłodziarki jest bardzo niska, ale temperatura zamrażarki jest odpowiednia.

- Temperatura komory chłodziarki jest ustawiona bardzo nisko. >>> Ustaw wyższą temperaturę komory chłodziarki i sprawdź ponownie.

Żywność przechowywana w szufladach komory chłodziarki jest zamrożona.

- Temperatura komory chłodziarki jest ustawiona bardzo nisko. >>> Ustaw wyższą temperaturę komory zamrażarki i sprawdź ponownie.

Temperatura chłodziarki lub zamrażarki jest za wysoka.

- Temperatura komory chłodziarki jest ustawiona bardzo wysoko. >>> Nastawa temperatury komory chłodziarki wpływa na temperaturę komory zamrażarki. Zmień temperaturę komory chłodziarki lub zamrażarki i poczekaj aż odpowiednia komora osiągnie ustawiony poziom temperatury.
- Drzwi były często otwierane lub były otwarte przez dłuższy czas. >>> Nie należy za często otwierać drzwi.
- Drzwi mogą być uchylone. >>> Całkowicie zamknij drzwi.
- Produkt mógł zostać niedawno podłączony lub do środka została włożona nowa porcja żywności. >>> To jest normalne. Produkt będzie potrzebował więcej czasu na osiągnięcie ustawionej temperatury, jeśli został niedawno podłączony lub do środka została włożona nowa porcja żywności.
- Do produktu włożono ostatnio dużą ilość gorącej żywności. >>> Do produktu nie wolno wkładać gorącej żywności.

Wstrząsy lub hałas.

Rozwiązywanie problemów

- Podłoże nie jest poziome lub wytrzymałe. >>> Jeśli produkt się kołysze podczas powolnego przemieszczania, wyreguluj nóżki w celu zrównoważenia produktu. Upewnij się też, że podłoże jest wystarczająco wytrzymałe i uniesie produkt.
- Wszelkie przedmioty umieszczone na produkcie mogą powodować hałas. >>> Zdejmij wszelkie przedmioty umieszczone na produkcie.

Produkt wytwarza dźwięki przepływającego płynu, rozpryskiwania itd.

- Zasada działania produktu obejmuje przepływ płynu i gazu. >>> To jest sytuacja normalna, a nie awaria.

Z produktu słychać odgłos dmuchającego wiatru.

- Produkt używa wentylatora w procesie chłodzenia. To jest sytuacja normalna, a nie awaria.

Na wewnętrznych ściankach produktu występuje kondensacja.

- Gorąca lub zimna pogoda zwiększy zalodzenie i kondensację. To jest sytuacja normalna, a nie awaria.
- Drzwi były często otwierane lub były otwarte przez dłuższy czas. >>> Nie należy otwierać drzwi za często, a jeśli są otwarte należy je zamknąć.
- Drzwi mogą być uchylone. >>> Całkowicie zamknij drzwi.

Na powierzchni zewnętrznej lub między drzwiami produktu występuje kondensacja.

- Pogoda może być wilgotna i to zjawisko jest normalne w takich warunkach. >>> Po zmniejszeniu wilgotności kondensacja zniknie.

Nieprzyjemny zapach we wnętrzu.

- Produkt nie jest regularnie czyszczony. >>> Czyść wnętrze regularnie za pomocą gąbki, ciepłej wody i wody z węglanem.
- Niektóre pojemniki i opakowania mogą wywoływać nieprzyjemne zapachy. >>> Należy używać pojemników i opakowań z materiałów niewydzielających zapachów.
- Żywność została umieszczona w nieszczelnych opakowaniach. >>> Żywność należy przechowywać w zamkniętych opakowaniach. Drobnoustroje mogą się rozprzestrzeniać z niezamkniętych opakowań i powodować nieprzyjemne zapachy.
- Z produktu należy usunąć żywność przeterminowaną i zepsutą żywność.

Drzwi się nie zamykają.

- Opakowania żywności mogą blokować drzwi. >>> Przesuń przedmioty blokujące drzwi.
- Produkt nie stoi całkowicie pionowo na ziemi. >>> Wyreguluj nóżki, aby zrównoważyć produkt.
- Podłoże nie jest poziome lub wytrzymałe. >>> Upewnij się, że podłoże jest poziome i wystarczająco wytrzymałe oraz uniesie produkt.

Zaciął się pojemnik na warzywa.

- Żywność może się stykać z górną częścią szuflady. >>> Zmień ułożenie żywności w szufladzie.

Jeśli powierzchnia produktu jest gorąca.

- Podczas pracy produktu obszar między drzwiczkami, panele boczne i tylny ruszt mogą osiągać wysoką temperaturę. Jest to normalne zjawisko i nie oznacza konieczności dokonywania naprawy!



OSTRZEŻENIE: Jeśli problem nie zniknie po wykonaniu instrukcji podanych w tym rozdziale, skontaktuj się ze sprzedawcą lub autoryzowanym serwisem. Nie próbuj naprawiać produktu.

Gwarancja jakości

Twój produkt marki BEKO posiada gwarancję jakości udzieloną przez Beko S.A z siedzibą w Warszawie ul. Puławska 366, 02-819 Warszawa (dalej Gwarant). Gwarancja jakości udzielana jest wyłącznie na produkty marki BEKO wprowadzane do obrotu na terytorium Rzeczypospolitej Polskiej przez Gwaranta. Termin gwarancji wynosi 24 miesiące od daty zakupu produktu. Oświadczenie gwarancyjne określające warunki gwarancji znajdziesz na stronie internetowej www.beko.pl w sekcji serwis.

Warunkiem wykonywania uprawnień z gwarancji jest przedstawienie dowodu zakupu produktu lub zarejestrowanie produktu na stronie www.beko.pl w sekcji serwis .

Zarejestruj swój produkt.

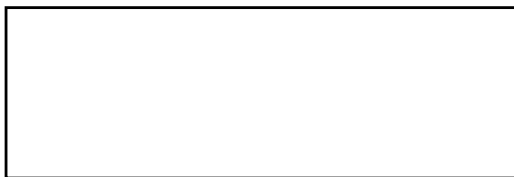
Załącz konto oraz zarejestruj teraz swój produkt marki BEKO objęty gwarancją na naszej stronie internetowej www.beko.pl w sekcji serwis. Dzięki temu nie będziesz musiał się martwić w sytuacji gdy zgubisz dowód zakupu. Ponadto będziesz miał możliwość otrzymania oświadczenia gwarancyjnego w postaci „cyfrowej karty gwarancyjnej”.

Obsługa klienta – infolinia 22 250 14 14

W celu zgłoszenia reklamacji lub usterki produktu marki BEKO prosimy o kontakt telefoniczny z infolinią . Nasi konsultanci pomogą ci rozwiązać problem lub skierują do właściwego serwisu BEKO.

Infolinia czynna jest 7 dni w tygodniu od 8.00 do 20:00.

* Koszt połączenia jak za połączenie lokalne (z telefonu stacjonarnego) lub według stawek operatora sieci komórkowej.



Podpis i pieczęć instalatora (z numerem uprawnienia) w przypadku montażu urządzeń gazowych lub płyt i piekarników elektrycznych

Aby otrzymać więcej informacji dotyczących serwisu BEKO np. gdzie kupić części zamienne lub akcesoria należy odwiedzić stronę internetową www.beko.pl i wybrać zakładkę serwis.

ZASTRZEŻENIE/OSTRZEŻENIE

Niektóre (proste) awarie mogą być naprawione przez użytkownika końcowego bez obawy przed niebezpieczeństwem lub wynikającym z tego niebezpiecznego użytkownika, pod warunkiem, że naprawy zostaną wykonane w określonych granicach i zgodnie z następującymi instrukcjami (patrz rozdział „Samodzielna naprawa”).

Dlatego, o ile nie określono inaczej w rozdziale "Samodzielna naprawa", naprawy powinny być zlecane do profesjonalnych warsztatów w celu uniknięcia problemów związanych z bezpieczeństwem. Zarejestrowany profesjonalny podmiot zajmujący się naprawami to profesjonalny warsztat, któremu producent przyznał dostęp do instrukcji i wykazu części zamiennych produktu zgodnie z metodami opisanymi w aktach ustawodawczych zgodnie z dyrektywą 2009/125/WE.

Jednak tylko przedstawiciel serwisu (tj. autoryzowane profesjonalne warsztaty), z którym można skontaktować się pod numerem telefonu podanym w instrukcji obsługi/karcie gwarancyjnej lub za pośrednictwem autoryzowanego sprzedawcy, może świadczyć usługi na warunkach gwarancji. W związku z tym należy pamiętać, że naprawy wykonywane przez profesjonalne warsztaty (nieautoryzowane przez Beko) powodują utratę gwarancji.

Samodzielna naprawa

Użytkownik końcowy może samodzielnie naprawić następujące części zamienne: klamki, zawiasy drzwi, tace, kosze i uszczelki drzwi (zaktualizowana lista jest również dostępna na support.beko.com od 1 marca 2021).

Ponadto, aby zapewnić bezpieczeństwo produktu i zapobiec ryzyku poważnych obrażeń, samodzielną naprawę należy wykonać zgodnie ze wskazówkami zawartymi w instrukcji obsługi w rozdziale "Samodzielna naprawa" lub

dostępny w support.beko.com Dla własnego bezpieczeństwa, przed samodzielną naprawą, odłącz urządzenie od zasilania.

Naprawy i próby naprawy dokonywane przez użytkowników końcowych w przypadku części niewymienionych na liście i/lub nieprzestrzeganie wskazówek zawartych w rozdziale „Samodzielna naprawa” lub dostępnych w support.beko.com, mogą stanowić zagrożenie, którego nie można przypisać do Beko, oraz spowodują utratę gwarancji.

W związku z tym zdecydowanie zaleca się, aby użytkownicy końcowi powstrzymali się od podejmowania prób wykonywania napraw spoza wymienionego wykazu części zamiennych, kontaktując się w takich przypadkach z autoryzowanymi warsztatami lub profesjonalnymi warsztatami. Samodzielne próby naprawy mogą stwarzać zagrożenie i uszkodzić urządzenie, a następnie spowodować pożar, powódź, porażenie prądem i poważne obrażenia ciała.

Na przykład, ale nie tylko, następujące naprawy muszą zostać zlecane w autoryzowanych warsztatach lub zarejestrowanych profesjonalnych warsztatach: sprężarka, obwód chłodzenia, płyta główna, płyta falownika, tablica wyświetlacza itp.

Producent/sprzedawca nie ponosi odpowiedzialności w przypadku gdy użytkownik nie stosuje się do zaleceń.

Dostępność części zamiennych do zakupionej lodówki wynosi 10 lat.

Przez ten czas dostępne będą oryginalne części zamienne do prawidłowej eksploatacji lodówki.

Minimalny okres gwarancji na zakupioną lodówkę wynosi 24 miesiące.

beko

Hladilnik

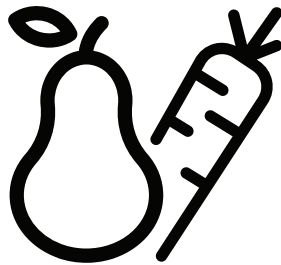
Navodila za uporabo

Hladnjak

Korisnički priručnik

Hűtőszekrény

Használati útmutató



RCNE560E40ZXBN - RCNE560E40DZXBN

CE

SL / HR / HU

58 5366 0000/AC

5/8

Spoštovani kupec.

Privoščimo vam, da dosežete optimalno učinkovitost našega izdelka, ki je bil proizveden v sodobni tovarni z natančnim nadzorom kakovosti.

V ta namen prosimo, da v celoti preberete navodila, preden pričnete z uporabo izdelka in naj vas vodijo kot referenčni vir. Če boste ta izdelek predali drugi osebi, poskrbite da gredo ta navodila skupaj z izdelkom.

Navodila za uporabo zagotovijo hitro in varno uporabo izdelka.





- Prosimo preberite navodila pred namestitvijo in uporabo izdelka.
- Vedno upoštevajte veljavne varnostne napotke.
- Hranite navodila v bližini za prihodnjo uporabo.
- Prosimo, da preberete vse druge dokumente, ki so prišli z izdelkom.

Imejte v mislih, da lahko ta navodila veljajo za več modelov izdelka. Ta vodič jasno prikaže razlike med različnimi modeli.

Simboli in opombe

V priročniku so uporabljeni naslednji simboli:

	Pomembne informacije in koristni nasveti.
	Tveganje za življenje in premoženje.
	Nevarnost električnega udara.
	Embalaža izdelka je izdelana iz recikliranih materialov, v skladu z nacionalno okoljsko zakonodajo.

 INFORMACIJE	
 SUPPLIER'S NAME → MODEL IDENTIFIER → (*)	Do informacij o modelu, ki so shranjene v zbirki podatkov o izdelkih, lahko pridete tako, da obiščete naslednje spletno mesto in poiščete identifikator modela (*), ki je naveden na energijski nalepki. https://eprel.ec.europa.eu/
 	

1	Varnost in okoljska navodila	3	5.17. Pladenj za vodo	20
1.1.	Splošna varnost	3	5.18. Zamrzovanje svežih živil	21
1.1.1	HC opozorilo	4	5.19. Priporočila za shranjevanje zamrznjenih živil	21
1.1.2	Pri modelih z vodno fontano	4	5.20. Podrobnosti globokega zamrzovanja	22
1.2.	Predvidena uporaba	4	5.21. Postavitev živil	22
1.3.	Varnost otrok	5	5.22. Opozorilo za odprta vrata	22
1.4.	Skladnost z Direktivo OEEQ in odstranjevanje naprave kot odpadka	5	5.23. Spreminjanje smeri odpiranja vrat.	22
1.5.	Skladnost z direktivo RoHS	5	5.24. Notranja luč	22
1.6.	Informacije o embalaži	5	5.25. Modra svetloba/HarvestFresh	23
			5.26. Košara za mlečne izdelke (hladen prostor)	23
2	Hladilnik	6	6 Vzdrževanje in čiščenje	24
3	Namestitev	7	6.1. Izogibanje neprijetnim vonjavam	24
3.1.	Ustrezno mesto za namestitev	7	6.2. Zaščita plastičnih površin	24
3.2.	Pritrditev plastičnih klinov	7	6.3. Steklo vrat	24
3.3.	Prilagoditev stojal	7	7 Odpravljanje motenj	25
3.4.	Električna povezava	8		
4	Priprava	9		
4.1.	Kako prihraniti z energijo	9		
4.2.	Prva uporaba	9		
5	Uporaba izdelka	10		
5.1.	Indikatorska tabla	10		
5.2.	Vedro za led	12		
5.3.	Nosilec za jajca	13		
5.4.	Ventilator	13		
5.5.	Posoda za zelenjavo	13		
5.6.	Zamrzovalni predel	13		
5.7.	Premikajoča vratna polica	13		
5.8.	Uporaba drugega predala za zelenjavo	14		
5.9.	Drseče škatle za shrambo	15		
5.10.	Posoda za zelenjavo z uravnavanjem vlage	16		
5.11.	Modul z osvežilem zraka	16		
5.12.	Samodejna naprava za led	17		
5.13.	Ledomat in posoda za shranjevanje ledu	18		
5.14.	Točaj vode	18		
5.15.	Uporaba vodne pipe	18		
5.16.	Čiščenje posode za vodo	19		

1 Varnost in okoljska navodila

To poglavje vsebuje navodila za varno uporabo, potrebna za preprečitev nevarnosti poškodb in materialne škode. Neupoštevanje teh navodil bo izničilo vse vrste garancije izdelka.

Namen uporabe

	OPOZORILO : Odprtine za zračenje, ohišje naprave ali vgrajeni hladilni elementi naj bodo vedno nezastri.
	OPOZORILO : Za hitrejše odmrzovanje ne uporabljajte mehanskih naprav, razen takih, ki jih priporoča proizvajalec.
	OPOZORILO : Ne poškodujte tokokroga hladilnega sredstva.
	OPOZORILO : V notranjosti razdelka za shranjevanje živil aparata ne uporabljajte električnih naprav, razen takih, ki jih priporoča proizvajalec.

Ta naprava je namenjena za uporabo v gospodinjstvu in podobnih okoljih, kot so:

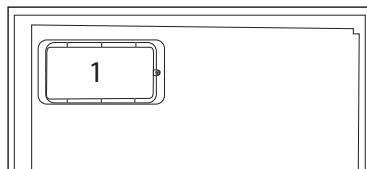
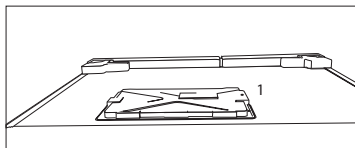
- kuhinje za osebje v trgovinah, pisarnah in drugih delovnih okoljih;
- hoteli, moteli in druga stanovanjska okolja, kjer jo lahko uporabljajo gostje;
- okolja, kjer ponujajo nočitve z zajtrkom.
- pri cateringu in v podobnih okoljih, kjer ne gre za neposredno prodajo.

1.1. Splošna varnost

- Ta izdelek naj ne uporabljajo otroci in osebe s telesnimi, čutnimi in duševnimi motnjami brez zadostnega znanja in izkušnji. Napravo smejo uporabljati takšne osebe le pod nadzorom in po navodilih osebe, odgovorne za njihovo varnost.

Otroci se ne smejo igrati s to napravo.

- V primeru okvare, izklopite napravo.
- Ko odklopite, počakajte najmanj 5 minut pred ponovnim priklopom. Izklopite napravo, ko ni v uporabi. Ne dotikajte se vtiča z mokrimi rokami! Ko želite izklopiti ne vlecite za kabel, vedno držite le za vtič.
- Ne priklopljajte hladilnika, če je vtičnica razrahljana.
- Izklopite napravo med namestitvijo, vzdrževanjem, čiščenjem in popravilom.
- Če naprave nekaj časa ne boste uporabljali, jo izklopite in iz notranjosti odstranite vso hrano.
- Ne uporabljajte pare ali parnih čistilnih sredstev za notranje čiščenje hladilnika in taljenje ledu. Para lahko pride v stik z električnimi elementi in povzroči kratek stik ali električni udar!
- Izdelka tudi zunaj ne perite z razprševanjem ali polivanjem vode! Nevarnost električnega udara!
- Izdelka ne uporabljajte, če je področje na vrhu ali na zadnji strani izdelka, ki vsebuje elektronska tiskana vezja, odprto (pokrov elektronskega tiskanega vezja) (1).

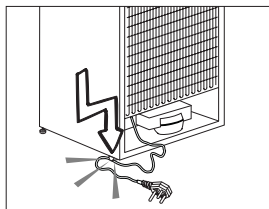


- V primeru okvare ne uporabljajte naprave, saj lahko to povzroči električni udar. Preden karkoli poskušate se obrnite na pooblaščenega serviserja.
- Napravo priključite v ozemljeno vtičnico. Ozemljitev mora izvesti usposobljen električar.
- Če ima naprava razsvetljavo vrste LED, se obrnite na pooblaščenega servisa zaradi

Varnostna in okoljska navodila

zamenjave ali v primeru kakršnih koli težav.

- Ne dotikajte se zmrznjene hrane z mokrimi rokami! Lahko se prilepi vašim rokam!
- Ne postavljajte tekočin v steklenicah, plastenkah in pločevinkah v zamrzovalnik. Lahko počijo ali pa tekočina izbruhne!
- Postavite tekočine v pokončnem položaju, ko tesno zaprete pokrov.
- Ne pršite vnetljivih snovi v bližini naprave, saj lahko to povzroči požar ali eksplozijo.
- Ne hranite vnetljivih materialov in izdelkov z vnetljivimi plini (razpršilci itd) v hladilniku.
- Ne postavljajte posod v katerih so tekočine na vrh naprave. Politje vode po elektrificiranih delih lahko povzroči električni udar in nevarnost požara.
- Izpostavljanje naprave dežju, snegu, soncu in vetru povzroči električno nevarnost. Ko prestavljate napravo, jo ne vlecite tako, da držite za ročaj vrat. Ročaj se lahko odtrga.
- Bodite pozorni, da preprečite ukleščanje katerihkoli delov vaših rok ali telesa v katerega od gibljivih delov naprave.
- Ne stopajte ali se obešajte na vrata, predale in podobne dele hladilnika. To bi povzročilo, da se naprava prevrne in se deli poškodujejo.
- Pazite, da ne zapnete v napajalni kabel.



1.1.1 HC opozorilo

Če naprava vsebuje hladilni sistem, ki uporablja plin R600a, pazite, da ne bi poškodovali hladilni sistem in njegovo cev med uporabo in

premikanjem naprave. Ta plin je vnetljiv. Če je hladilni sistem poškodovan, imejte napravo stran od virov ognja in takoj prezračite prostor.



Nalepka na notranji levi strani označuje vrsto uporabljenega plina v napravi.

1.1.2 Pri modelih z vodno fontano

- Tlak vstopne hladne vode ne sme presežati 620 kPa (90 psi). Če tlak vstopne vode presega 550 kPa (80 psi), uporabite ventil za omejevanje tlaka v vodovodnem tokokrogu. Če ne veste, kako izmeriti vodni tlak, poprosite inštalaterja za vodovod.
- Če je v vaši inštalaciji prisotno tveganje nastanka hidravličnega udara, vedno uporabite opremo za preprečevanje hidravličnega udara. Da preverite, da v vaši inštalaciji ni tveganja za pojav hidravličnega udara, se posvetujte z inštalaterjem za vodovod.
- Ne nameščajte na vod s toplo vodo. Izvedite potrebne ukrepe za preprečevanje zamrznitve cevi. Območje temperature vode za delovanje naj bo med najmanj 0,6°C (33°F) in največ 38°C (100°F).
- Uporabljajte samo pitno vodo.

1.2. Predvidena uporaba

- Ta naprava je namenjena za domačo uporabo. Ni namenjena za komercialno uporabo.
- To napravo se sme uporabiti samo za shranjevanje hrane in pijače.
- Ne hranite v hladilniku občutljive izdelke, ki zahtevajo nadzorovane temperature (cepiva, toplotno občutljiva zdravila, medicinski izdelki itd).

Varnostna in okoljska navodila


- Proizvajalec ne prevzema odgovornosti za morebitno škodo zaradi zlorabe ali napačne uporabe.
- Originalne nadomestne dele zagotavljamo 10 let po datumu nakupa.

1.3. Varnost otrok

- Hranite embalažne materiale izven dosega otrok.
- Ne dovolite, da bi se otroci igrali z napravo.
- Če vrata naprave vsebujejo ključavnico, hranite ključ izven dosega otrok.

1.4. Skladnost z Direktivo OEE0 in odstranjevanje naprave kot odpadka

Ta naprava je skladna z direktivo EU WEEE (2012/19/EU). Ta naprava nosi oznako klasifikacije za odpadno električno in elektronsko opremo (OEE0).

 Naprava je bila izdelana iz visoko kakovostnih delov in materialov, ki jih je mogoče ponovno uporabiti in so primerni za recikliranje. Ne zavržite naprave kot odpadka med običajne domače in druge odpadke na koncu njegove življenjske dobe. Odnosite jo v zbirni center za recikliranje električne in elektronske opreme. Obrnite se na lokalne oblasti, da izveste za lokacije teh zbirnih centrov.

1.5. Skladnost z direktivo RoHS

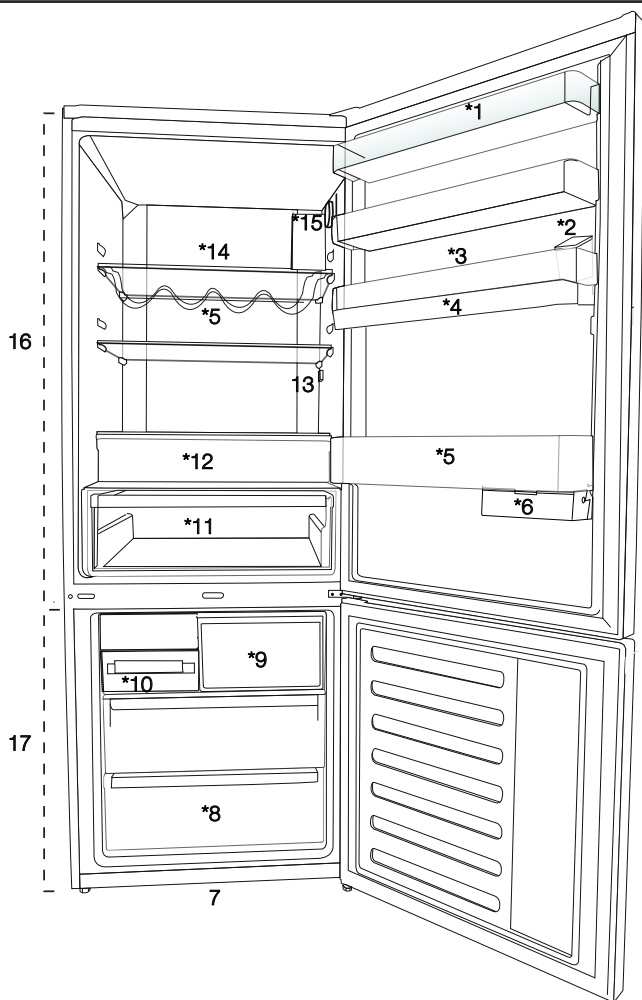
- Ta naprava je skladna z direktivo EU WEEE (2011/65/EU). Ne vsebuje škodljivih in prepovedanih snovi, navedenih v direktivi.

1.6. Informacije o embalaži

- Embalaža naprave je izdelana iz recikliranih materialov v skladu z našimi nacionalnimi predpisi za okolje. Ne odlagajte embalažnih materialov skupaj z domačimi ali drugimi odpadki. Peljite jih v zbirne centre za

embalažo, ki so jih lokalne oblasti pooblastile.

2 Hladilnik



1. Polica na vratih hladilnega dela
2. Posoda za polnjenje točaja vode
3. Pladenj za jajca
4. Rezervoar točaja vode
5. Polica za steklenice
6. Drseče škatle za shrambo
7. Nastavljive noge
8. Predel za globoko zamrzovanje
9. Predal za hitro zamrzovanje
10. Pladenj za kocke ledu & posoda za led
11. Posoda za zelenjavo
12. Košara za mlečne izdelke (hladen prostor)
13. Notranja luč
14. Steklena polica predela hladilnika
15. Gumb za nastavitev temperature
16. Predel hladilnika
17. Zamrzovalni del



***izbirno:** Slike v tem priročniku so podate kot primer in morda niso popolnoma enako kot izdelek. Če vaš izdelek ne vključuje ustreznih delov, se podatki nanašajo na druge modele.

3 Namestitev

3.1. Ustrežno mesto za namestitev

Za namestitev izdelka se obrnite na pooblaščen servis. Če želite pripraviti izdelek na namestitev, glejte informacije v uporabniškem priročniku in se prepričajte, da so električne in vodovodne storitve ustrezne. Če ne, pokličite električarja in vodovodarja, da uredita potrebne napeljave.



OPOZORILO: Proizvajalec ne prevzema odgovornosti za škodo, ki je posledica del, ki so jih izvedle nepooblaščene osebe.



OPOZORILO: Med nameščanjem mora biti napajalni kabel izdelka izključen. Neupoštevanje tega lahko povzroči smrt ali resne poškodbe!



OPOZORILO: Če je razpon vrat preozek za hrano, odstranite vrata in obrnite izdelek na stran; če to ne deluje, se obrnite na pooblaščen servis.

- Izdelek postavite na ravno površino, da ne pride do vibracij.
- Izdelek morate namestiti vsaj 30 cm od grelnika, štedilnika in podobnih virov toplote in vsaj 5 cm od električnih pečice.
- Izdelka ne postavljajte pod neposredno sončno svetlobo in v vlažna okolja.
- Izdelek za učinkovito delovanje rabi zadostno kroženje zraka.
- Če bo izdelek nameščen v nišo, ne pozabite, da pustite razdaljo vsaj 5 cm med izdelkom in stropom ter stenami.
- Naprave ne nameščajte v okoljih s temperaturo nižjo od -5°C .
- Za učinkovito delovanje tega izdelka je potrebno zadostno kroženje zraka. Če bo izdelek nameščen v nišo, pustite vsaj 5 cm prostora med izdelkom ter stropom, zadnjo steno in stranskima stenama.
- Če bo izdelek nameščen v nišo, pustite vsaj 5 cm prostora med izdelkom ter stropom, zadnjo steno in stranskima stenama. Preverite, ali je nameščen zaščitni del za odmik od zadnje stene (če je priložen izdelku). Če del ni na voljo ali pa je izgubljen oziroma uničen, namestite

izdelek tako, da je z zadnjo stranjo od stene prostora oddaljen vsaj 5 cm. Odmik na zadnji strani je pomemben za učinkovito delovanje izdelka.

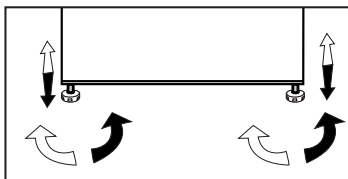
3.2. Pritrditev plastičnih klinov

Uporabite plastične klinke, ki so priloženi izdelku, da omogočite dovolj prostora za kroženje zraka med izdelkom in steno.




1. Za pritrditev klinov odstranite vijake na izdelku in uporabite vijake, ki so dobavljeni skupaj s klini.
2. Pritrdite 2 plastična klinca na pokrov prezračevanja, kot prikazuje slika.

3.3. Prilagoditev stojal


Če izdelek ni uravnotežen, prilagodite nastavljiva stojala z obračanjem v desno ali levo.



3.4. Električna povezava

	OPOZORILO: Pri električni povezavi ne uporabljajte podaljškov ali več vtičnic.
	OPOZORILO: Poškodovan napajalni kabel lahko zamenja le pooblaščen servis.
	Če hladilnik postavite ob drug hladilnik, naj bo razdalja med njima vsaj 4 cm.

- Naše podjetje ne prevzema odgovornosti za škodo, ki nastane zaradi uporabe ozemljitve in električne povezave, ki ni v skladu z državnimi predpisi.
- Vtič napajalnega kabla naj bo po namestitvi lahko dostopen.
- Med vtičnico in hladilnikom ne uporabljajte več vtičev z ali brez podaljška.

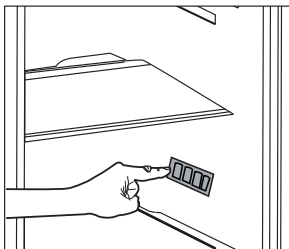
	Opozorilo za vročo površino Bočne stene izdelka so zaradi izboljšanja hladilnega sistema opremljene s hladilnimi cevmi. Po teh delih se lahko pretaka hladilno sredstvo z visoko temperaturo, zaradi česar se lahko bočne stene zelo segrejejo. To je običajno in ni razlog za servisiranje. Bodite previdni pri dotikanju teh površin.
--	---

4.1. Kako prihraniti z energijo



Priključitev naprave na sisteme varčevanja električne energije je nevarno, saj lahko poškodujejo napravo.

- Za samostoječi aparat; »ta hladilni aparat ni namenjen za uporabo kot vgradni aparat«;
- Ne puščajte vrat hladilnika odprtih dlje časa.
- V napravo ne nalagajte vročih živil in pijač.
- Ne naložite v hladilnik preveč stvari; z blokiranjem notranjega pretoka zraka zmanjšate učinkovitost hlajenja.
- Da bi v hladilni predel vašega hladilnika shranili čim večjo količino hrane, odstranite zgornje police in jo položite na stekleno polico. Označena poraba energije vašega hladilnika je bila določena z odstranjenim hladilnikom, pladnjem za led in zgornjimi predali, da bi omogočili največjo zmogljivost shranjevanja. Močno priporočamo uporabo spodnje police za shranjevanje. Za najboljšo porabo energije je treba vklopiti funkcijo za varčevanje z energijo.
- Hrane ne postavljajte pred ventilator hladilnika, saj tako blokirate pretok zraka. Hrano položite vsaj 3 cm od zaščitne žice ventilatorja.
- Glede na lastnosti izdelka; z odtajanjem zamrznjene hrane v predelu hladilnika boste zagotovili varčevanje z energijo in ohranili kakovost živil.
- Hrano shranite z uporabo polic v predelu hladilnika, da zagotovite varčevanje z energijo in ohranite živila v boljšem stanju.
- Paketi hrane ne smejo biti v neposrednem stiku s senzorji toplote, ki se nahajajo v predelu hladilnika. Če so v stiku s senzorji, se lahko poraba energije naprave poveča.
- Pazite, da živila niso v stiku s senzorjem temperature predela hladilnika, kot je opisano spodaj.



- Če je na voljo več možnosti, je treba steklene police namestiti tako, da odprtine za zrak na zadnji steni niso blokirane, saj izpusti zraka ostanejo pod stekleno polico. Ta kombinacija lahko pomaga izboljšati razporeditev zraka in energetske učinkovitost.

4.2. Prva uporaba

Pred prvo uporabo hladilnika, poskrbite, da so vse priprave izvedene v skladu z navodili v razdelkih »Varnostna in okoljska navodila« in »Namestitve«.

- Naj izdelek deluje brez hrane 6 ur in ne odpirajte vrat, razen če je res nujno potrebno.



Ko kompresor prične delovati, boste zaslišali zvok. Zvoki so povsem običajni, tudi ko kompresor ne deluje, zaradi stisnjenih tekočin in plinov v hladilnem sistemu.



Sprednji robovi izdelka se lahko segrejejo. To je običajno. Ti predeli so oblikovani, da se segrejejo in preprečijo kondenzacijo.

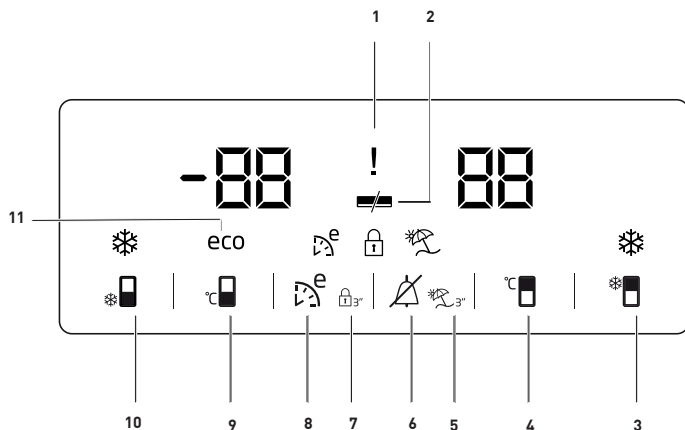


Pri nekaterih modelih se indikatorska tabla samodejno izklopi 5 minut po tem, ko zaprete vrata. Aktivirala se bo, ko se vrata odprejo ali pritisnete kateri koli gumb.

5 Uporaba izdelka

5.1. Indikatorska tabla

Indikatorska tabla omogoča nastavitev temperature in nadzor nad drugimi funkcijami izdelka, ne da bi odprli vrata hladilnika. Za nastavitve funkcije preprosto pritisnite napise na ustreznih gumbih.



1. Indikator za izpad napajanja/visoko temperaturo/stanje napake

Ta indikator (!) sveti v primeru izpada napajanja, visoke temperature in opozoril za napake.

Ko se temperatura v zamrzovalnem delu dvigne na kritično raven za zamrznjeno hrano, na digitalnem indikatorju utripa najvišja vrednost, ki jo doseže temperatura zamrzovalnega dela.

Preverite hrano v zamrzovalnem delu.

To ni napaka. Opozorilo lahko izbrisate tako, da pritisnete kateri koli gumb ali gumb za izklop alarma za visoko temperaturo. (Preklic s pritiskom na kateri koli gumb ni na voljo pri vseh modelih.)

Ta indikator (!) sveti tudi v primeru napake senzorja. Ko sveti ta indikator, se na indikatorju temperature izmenično prikazujejo črka »E« in številke, kot so »1, 2, 3 ...«. Prikazane številke predstavljajo informacije o napaki za servisno osebje.

2. Funkcija varčevanja energije (zaslon ugasnjen):

Če so vrata naprave dlje časa ostala zaprta, se funkcija varčevanja energije samodejno vklopi, simbol te funkcije pa zasveti. (🔋)

Ko je funkcija za varčevanje energije aktivirana, se bodo na zaslonu izklopili vsi simboli razen simbol za varčevanje energije. Če med delovanjem funkcije »Energy Saving« pritisnete kateri koli gumb ali odprete vrata, se bo funkcija izklopila in simboli na zaslonu se bodo vrnili na običajno delovanje.

Funkcija varčevanja energije se vklopi med dostavo iz tovarne in je ni mogoče preklicati.

3. Funkcija hitrega hlajenja

Gumb ima dve funkciji. Za vklop ali izklop funkcije hitrega hlajenja ga na kratko pritisnite. Indikator za hitro hlajenje se bo izklučil in preklopil na običajne nastavitve. (❄️)




***izbirno:** Slike v tem priročniku so podate kot primer in morda niso popolnoma enako kot izdelek. Če vaš izdelek ne vključuje ustreznih delov, se podatki nanašajo na druge modele.

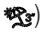

Uporaba izdelka

	Funkcijo hitrega hlajenja uporabite, ko želite hitro ohladiti hrano, ki ste jo postavili v predel hladilnika. Če želite ohladiti velike količine svežih živil, vklopite funkcijo preden postavite živila v hladilnik.
	Če funkcije hitrega hlajenja ne prekličete, se bo po 1 urah ali ko hladilni del doseže želeno temperaturo samodejno izklopila.
	Če gumb za hitro hlajenje pritisnete večkrat zaporedoma v kratkih intervalih, se vklopi zaščitni sistem elektronskega vezja in kompresor ne bo pričel z delovanjem nemudoma.
	Po vzpostavitvi napetosti v primeru izpada elektrike se funkcija ne povrne.

4. Gumb za nastavev temperature hladilnega dela

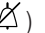
Temperature hladilnega dela nastavite na 8, 7, 6, 5, 4, 3, 2, 1, 8... če pritisnete gumb zaporedoma. Pritisnite gumb za nastavev zelene temperature hladilnega dela. ()

5. Funkcija za počitnice

Če želite aktivirati funkcijo za počitnice, pritisnite ta gumb () za 3 sekunde in indikator načina za počitnice () se aktivira. Ko je funkcija za počitnice vklopljena, je na indikatorju temperature hladilnega predela prikazano »-«, v predelu hladilnika pa ni aktivnega hlajenja. Ko je funkcija za počitnice vklopljena, ne priporočamo shranjevanja živil v predelu hladilnika. Ostali predeli se bodo še naprej hladili, kot je nastavljena njihova temperatura.


Za preklic funkcije ponovno pritisnite gumb Funkcija počitnice.


6. Preklic opozorila za visoko temperaturo:


V primeru opozorila za izpad napajanja/visoko temperaturo lahko izbršete opozorilo () tako, da po preverjanju hrane v zamrzovalnem delu za 1 sekundo pritisnete kateri koli gumb na indikatorju ali gumb za izklop alarma za visoko temperaturo.

Opomba: Preklic s pritiskom na kateri koli gumb ni na voljo pri vseh modelih.


7. Ključavnica

Pritisnite gumb za ključavnico () za 3 sekunde. Simbol ključavnice

() bo zasvetilo in vklopil se bo način za ključavnico. Med delovanjem načina ključavnice gumbi ne delujejo. Ponovno pritisnite gumb za ključavnico za 3 sekunde. Simbol za ključavnico bo prenehala svetiti in način za ključavnico se izklopi.


Če želite preprečiti spreminjanje nastavitve temperature hladilnika, pritisnite gumb **key lock** (ključavnica) ().

8. Varčna funkcija

Varčno funkcijo (Eco Fuzzy) vklopite, če za 1 sekunde pritisnete in držite gumb za varčno funkcijo. Hladilnik bo najkasneje po 6 urah pričel delovati v najvarčnejšem načinu in ko je funkcija aktivna, se bo vklopil kazalec varčne uporabe (). Varčno funkcijo (Eco Fuzzy) izklopite, če za 3 sekunde pritisnete in držite gumb za varčno funkcijo.

Ta indikator zasveti po 6 urah, ko je varčna funkcija vklopljena.


9. Gumb za nastavev temperature zamrzovalnega dela

Temperature zamrzovalnega dela nastavite na -18, -19, -20, -21, -22, -23, -24, -18... če pritisnete gumb zaporedoma. Pritisnite ta gumb za nastavev zelene temperature zamrzovalnega dela. ()

Uporaba izdelka


10. Gumb funkcije hitrega zamrzovanja/ gumb za vklop-izklop ledomata


Pritisnite ta gumb za vklop ali izklop funkcije hitrega zamrzovanja. Ko aktivirate to funkcijo, se predel zamrzovalnika ohladi na temperaturo, ki je nižja od nastavljene vrednosti.

(). Za vklop in izklop ledomata pritisnite in držite gumb za 3 sekunde.

	Funkcijo hitrega zamrzovanja uporabite, ko želite hitro zamrzniti hrano, ki ste jo postavili v predel hladilnika. Če želite zamrzniti velike količine svežih živil, vklopite funkcijo preden postavite živila v hladilnik.
	Če funkcije hitrega zamrzovanja ne prekličete, se bo po 24 urah ali ko hladilni del doseže želeno temperaturo samodejno izklopila.
	Po vzpostavitvi napetosti v primeru izpada elektrike se funkcija ne povrne.

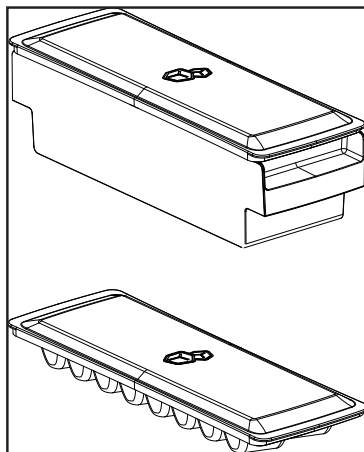
11. Indikator varčne uporabe

Označuje, da hladilnik deluje v energijsko varčnem načinu. () Indikator bo vklopljen, če je temperatura predela zamrzovalnika nastavljena na -18 ali če je vklopljena funkcija "Eco-Extra" (posebno varčevanje) in se izvaja energijsko varčno hlajenje.

	Indikator varčne uporabe se ugasne, ko izberete funkcijo hitrega hlajenja ali hitrega zamrzovanja.
---	--

5.2. Vedro za led (izbirno)

- Vzemite vedro za led iz predela zamrzovalnika.
- Napolnite vedro za led z vodo.
- Postavite vedro za led v predela zamrzovalnika.
- Led bo pripravljen približno v dveh urah. Vzemite vedro za led iz predela zamrzovalnika in rahlo nagnite čez držalo, ki ga boste postregli. Led se bo samodejno prelil v držalo za serviranje.



Uporaba izdelka

5.3. Nosilec za jajca

Nosilec za jajca lahko namestite na vrata ali polico po izbiri. Če se odločite, da ga boste postavili na polico trupa, je priporočljivo uporabiti spodnje police, saj so hladnejše.

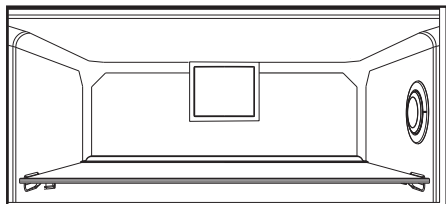


Nosilca za jajca ne postavljajte v predel zamrzovalnika.

5.4. Ventilator

Ventilator je oblikovan, da enakomerno razporeja kroženje hladnega zraka znotraj hladilnika. Čas delovanja ventilatorja se lahko razlikuje glede na lastnosti naprave.

Pri nekaterih izdelkih ventilator deluje le s kompresorjem, pri drugih pa kontrolni sistem določa čas delovanja glede na potrebo po hlajenju.



5.5. Posoda za zelenjavo

(izbirno)

Posoda za zelenjavo je narejen, da ohranja vlago in ohranja zelenjavo svežo. V ta namen se celotno kroženje mrzlega zraka v posodi za zelenjavo okrepi.

5.6. Zamrzovalni predel

(izbirno)

Ta predel uporabljajte za shranjevanje delikates pri nizkih temperaturah ali mesnih izdelkov, ki jih boste takoj porabili.

Zamrzovalni predel je najhladnejše mesto, kjer lahko shranite živila kot so mlečni izdelki, meso, ribe in piščanec, v idealnih pogojih shranjevanja. Ta predel ni primeren za shranjevanje zelenjave in/ali sadja.

5.7. Premikajoča vratna polica

(izbirno)

Premikajoča vratna polica se lahko pritrdi na 3 različne položaje.

Če želite premakniti polico, enakomerno pritisnite gumbe na straneh. Police se tako odstrani.

Pomaknite polico gor ali dol.

Ko je polica v želenem položaju, sprostite gumbe. Polica bo ponovno pritrjena v položaju, kjer ste spustili gumbe.

Uporaba izdelka

5.8. Uporaba drugega predala za zelenjavo



Slika 1

Kot prikazuje slika, sta v drugem predalu za zelenjavo modela K70560 dva zaustavljavca.



Slika 2

Ko je drugi predal zaprt, je videti tako, kot prikazuje slika 2.



Slika 3

Ko so vrata odprta za 90°, drugi predal za zelenjavo povlecite do prvega zaustavljavca, kot prikazuje slika 3.

Če je predal bolj odprt, najprej odprite vrata za vsaj 135°. Nato dvignite drugi predal za zelenjavo za približno 5 mm, da ga odmaknete od prvega zaustavljavca, kot prikazuje slika 4.



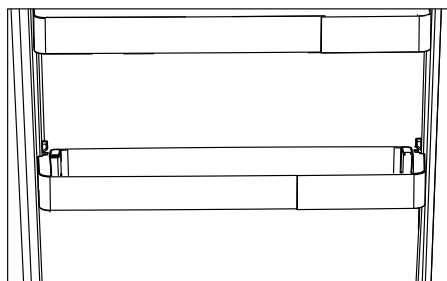
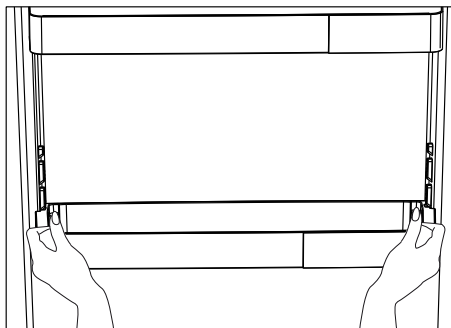
Slika 4



Ko ste ga dvignili, povlecite drugi predal za zelenjavo do drugega zaustavljavca, kot prikazuje slika 5.

Slika 5

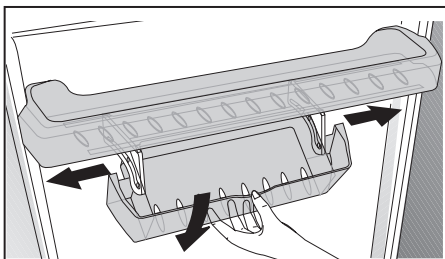
Uporaba izdelka



5.9. Drseče škatle za shrambo (izbirno)

Dodatek je oblikovan z namenom povečati uporabno prostornino polic na vratih.

Ker se lahko premakne na stran, omogoča enostavno nameščanje dolgih steklenic, kozarcev ali škatel, ki jih postavite spodnje stojalo za steklenice.



HerbBox/HerbFresh

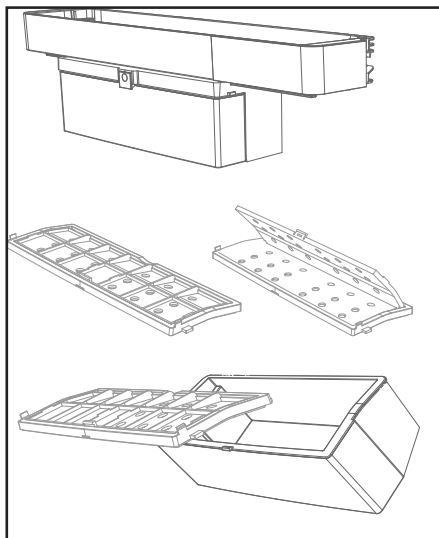
Iz škatle HerbBox/HerbFresh+ odstranite posodico s folijo.

Vzemite folijo iz vrečke in jo položite v posodico, kot je prikazano na sliki.

Znova zaprite posodo in jo vstavite v enoto HerbBox/HerbFresh+.

Razdelki HerbBox-HerbFresh+ so idealni zlasti za shranjevanje različnih zelišč, ki jih je treba hraniti pod posebnimi pogoji. V tem razdelku lahko v vodoravni legi hranite vaša zelišča, ki niso v vrečkah (peteršilj, koper in podobno), ter jih ohranite dalj časa sveže.

Zamenjajte film vsakih šest mesecev.



Uporaba izdelka

5.10. Posoda za zelenjavo z uravnavanjem vlage

(izbirno)

Funkcija uravnavanja vlage ohranjanje stopnje vlage zelenjave in sadja pod nadzorom in zagotovi hrano dlje časa svežo.

Listnato zelenjavo, kot je zelena solata, špinača in podobna zelenjava, ki je podvržena izgubi vlage, shranjujte v vodoravnem položaju v posodi za zelenjavo in ne na koreninah.

Ko nalagata zelenjavo, položite težjo in trdo zelenjavo na dno, lahko in mehko pa na vrh, pri tem pa upoštevajte specifične teže zelenjave.

Zelenjave ne pustite v posodi za zelenjavo v plastičnih vrečkah. Če jo pustite v plastičnih vrečkah, zelenjava hitreje zgnije. V situacijah, kjer ni dobro, da se različne vrste zelenjave stikajo med seboj, uporabite pakirni material, kot je papir, ki ima določeno poroznost v smislu higiene.

Sadja, ki ima proizvodnjo z visoko vsebnostjo etilena, kot so hruške, marelice, breskve in predvsem jabolka, v isto posodo za zelenjavo z drugo zelenjavo in sadjem. Etilen, ki prihaja iz tega sadja, lahko povzroči, da druga zelenjava in sadje hitreje dozori in zgnije.

5.11. Modul z osvežilec zraka

(FreshGuard) *izbirno

Modul z osvežilec zraka hitro odstrani neprijetne vonjave v hladilniku, preden prežamejo površine. S tem modulom, ki je nameščen na strop predala za sveža živila, se bodo slabe vonjave razblinile, zrak bo prešel v filter za odpravo neprijetnih vonjav, ta pa bo zrak poslal nazaj v predal za sveža živila. Tako bodo odstranjene neprijetne vonjave, ki se pojavijo med shranjevanjem živil v hladilniku, preden prežamejo površine.

To omogočajo ventilator, dioda in filter za svež zrak, ki je vgrajen v modulu. Modul z osvežilec zraka se bo samodejno vklopil v intervalih. Če želite ohraniti učinkovito delovanje modula z osvežilec zraka, vam priporočamo, da filter v modulu vsakih 5 let zamenja pooblaščen serviser. Hrup, ki ga slišite med delovanjem modula je zaradi vgrajenega ventilatorja normalen. Če odprete vrata predala za sveža živila, medtem ko modul deluje, se bo ventilator začasno ustavil, ter se ponovno vklopil in deloval naprej, ko vrata zaprete. V primeru izpada električnega toka bo modul z osvežilec zraka po ponovni vzpostavitvi napajanja nadaljeval z delovanjem od točke, na kateri se je ustavil.

Informacije: Priporočamo, da aromatična živila (kot so sir, olive, delikatese) hranite zaprta v njihovi embalaži, da se izognete slabim vonjavam, ki se lahko pojavijo, kadar se mešajo vonjave različnih živil. Poleg tega priporočamo, da pokvarjena živila hitro odstranite iz hladilnika, da preprečite kvarjenje drugih živil in se izognete slabim vonjavam.

Uporaba izdelka

5.12.Samodejna naprava za led

(izbirno)

Samodejna naprava za led omogoča enostavno izdelavo ledu v vašem hladilniku. Če želite dobiti led iz naprave za led, odstranite rezervoar za vodo iz predela hladilnika, ga napolnite z vodo in ga pritrdite nazaj na mesto.

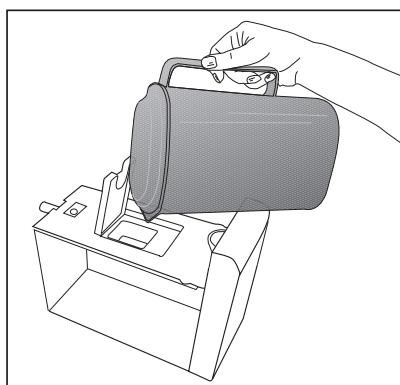
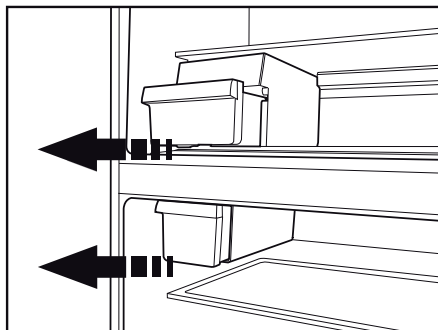
Prvi led bo pripravljen v ok. 2 urah v predali naprave za led v predelu hladilnika.

Ko namestite polni rezervoar za vodo, lahko dobite ok. 60-70 kock ledu, dokler ni popolnoma prazen.

Če je voda v rezervoarju stala 2-3 tedne, jo je treba zamenjati.



Pri izdelkih s samodejno napravo za led boste med vlivanjem ledu morda slišali zvok. Ta zvok je običajen in ni napaka.



Uporaba izdelka

5.13. Ledomat in posoda za shranjevanje ledu

*izbirno

Uporaba ledomata

Ledomat napolnite z vodo in ga postavite na ustrezno mesto. Led bo pripravljen približno v dveh urah. Ledomata ne odstranjajte iz svojega mesta, da bi vzeli led.

Gumbe na njem zavrtite v smeri urinega kazalca za 90 stopinj.

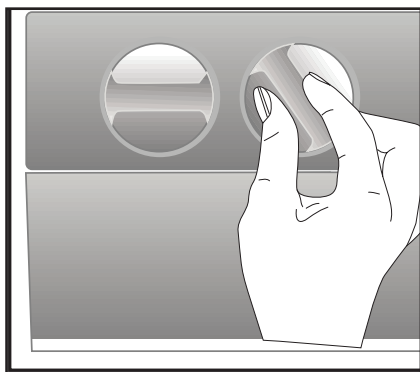
Kocke ledu v zbiralnikih bodo padle v posodo za shranjevanje ledu spodaj.

Posodo za shranjevanje ledu lahko izvlčete in postrežete kocke ledu.

Če želite, lahko kocke ledu hranite v posodi za shranjevanje ledu.

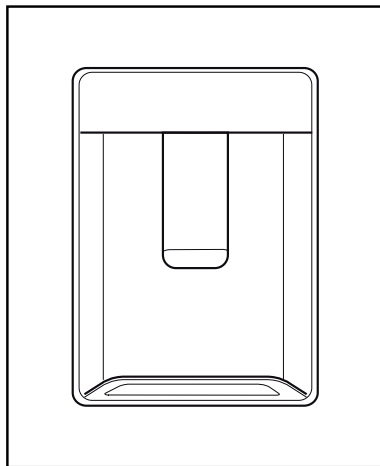
Posoda za shranjevanje ledu

Posoda za shranjevanje ledu je namenjena le zadrževanju kock ledu. V posodo ne vlivajte vode, saj se lahko zlomi.



5.14. Točaj vode (pri nekaterih modelih)

Točaj vode je zelo uporabna naprava, ki omogoča natakanje hladne vode brez odpiranja vrat hladilnika. Ker vam ne bo treba pogosto odpirati vrat hladilnika, boste prihranili energijo.



5.15. Uporaba vodne pipe

S kozarcem potisnite ročico točaja vode. Ko pritisk na ročico popustite, bo točaj vode prenehal delovati.

Med natakanjem vode lahko dosežete največji pretok s pritiskom na ročico do konca. Ne pozabite, da je pretok vode iz točaja odvisen od sile, s katero pritisnete na ročico.

Medtem ko gladina vode v kozarcu/posodi narašča, malce popustite pritisk, da se voda ne prelije. Pri zelo nežnem pritisku na ročico bo voda samo kapljala; to je normalno in ni motnja delovanja.

Uporaba izdelka

Polnjenje posode točaja vode

Polnilna posodica za vodo se nahaja v notranjosti regala vrat. Odprite pokrov posode in jo napolnite s čisto pitno vodo. Nato pokrov zaprite.

Pozor!

- Posodo za vodo polnite le z vodo in ne s katero koli drugo tekočino, kot so sadni sokovi, gazirane pijače ali alkoholne pijače, ki niso primerne za uporabo v točaju vode. Pri uporabi teh tekočin bo točaj vode bo nepopravljivo poškodovan. Garancija take uporabe ne krije. Nekateri kemični snovi in aditivi, vsebovani v teh vrstah pijač / tekočin lahko posodo za vodo poškodujejo.

- Uporabljajte samo čisto in svežo pitno vodo.
- Prostornina posode za vodo znaša 3 litre; ne napolnite preveč.
- S kozarcem potisnite ročico točaja vode.

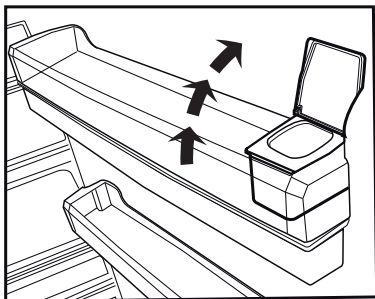
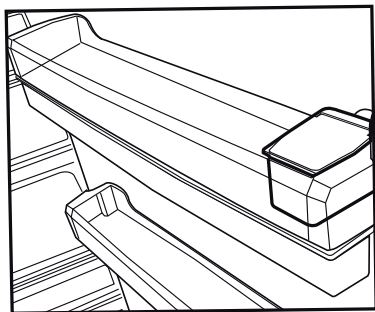
Če uporabljate plastične kozarce za enkratno uporabo, potisnite ročico s prsti za kozarcem.

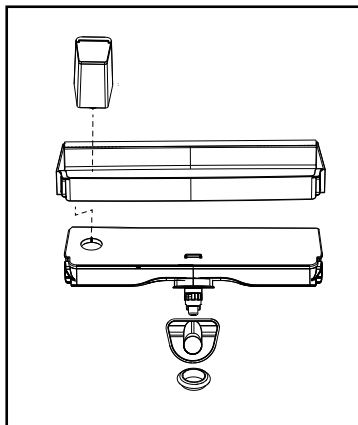
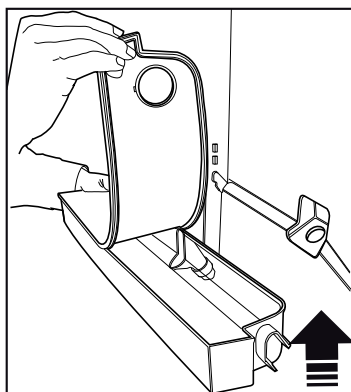
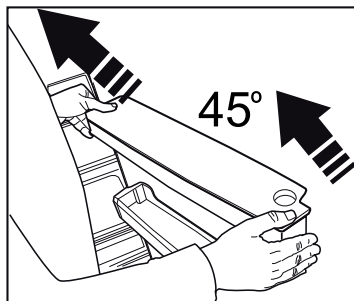
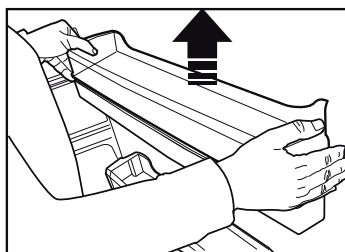
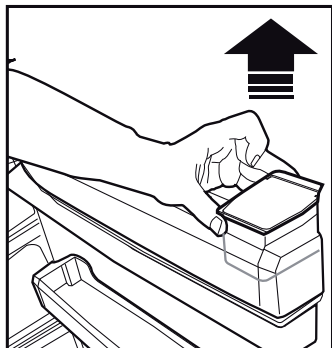
5.16.Čiščenje posode za vodo

- Odstranite posodo za polnjenje vode v notranjosti regala na vratih.
- Odstranite regal vrat, tako da ga primete na obeh straneh.
- Primite posodo za vodo na obeh straneh in jo odstranite pod kotom 45 °C.
- Posodo za vodo očistite z odstranitvijo pokrova.

Pomembno:

Sestavni deli posode za vodo in točaja vode se ne smejo prati v pomivalnem stroju.





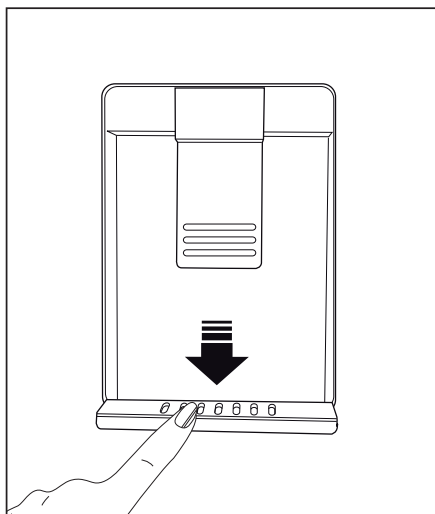
5.17. Pladenj za vodo

Voda, ki kaplja pri uporabi točaja vode, se nabira v pladnju za vodo.

Plastični pladenj odstranite, kot je prikazano na sliki.

S čisto in suho krpo obrišite razlito vodo.

POZOR: Priključite samo na napeljavo s pitno vodo.



Uporaba izdelka

5.18. Zamrzovanje svežih živil

- Če želite ohraniti kakovost živil, morate živila, ki jih postavite v predel zamrzovalnika, čim hitreje zamrzniti; za to uporabite hitro zamrzovanje.
- Zamrzovanje sveže hrane podaljša čas shranjevanja v predelu zamrzovalnika.
- Zapakirajte živila v nepredušne pakete in jih tesno zaprite.
- Pazite, da so živila zapakirana, preden jih postavite v zamrzovalnik. Uporabite držala zamrzovalnika, folijo in papir, ki je odporen na vlago, plastične vrečke ali podobni pakirni material, namesto običajnega papirja.



Led v predelu zamrzovalnika se samodejno odtaja.

- Pred pakete s hrano zamrznete jih označite z datumom. Tako boste lahko določili svežino posameznega paketa vsakič, ko odprete zamrzovalnik. Hranite starejša živila spredaj, da jih tako uporabite najprej.
- Zamrznjena živila je treba porabiti takoj ko se odtalijo in se ne smejo ponovno zamrzniti.
- Ne zamrzujte velike količine živil naenkrat.

5.19. Priporočila za shranjevanje zamrznjenih živil

Predel mora biti nastavljen vsaj na -18°C .

1. Živila nemudoma postavite v zamrzovalnik, da se ne odtalijo.
2. Pred zamrzovanjem, preverite »datum izteka roka« na embalaži, da se prepričajte, da se ni izdelek.
3. Preverite, da embalaža živil ni poškodovana.

Nastavitev temperature zamrzovalnega dela	Nastavitev temperature hladilnega dela	Podrobnosti
-18°C	4°C	To je privzeta in priporočena nastavitev.
$-20, -22$ ali -24°C	4°C	Te nastavitve so priporočene za temperature okolja, ki presegajo 30°C .
Funkcija hitrega zamrzovanja	4°C	Uporabite, ko želite zamrzniti hrano v kratkem času. Ko se postopek konča, izdelek ponovno pridobi svoj položaj.
-18°C ali hladneje	2°C	Te nastavitve uporabite, če mislite, da predel hladilnika ni dovolj hladen zaradi temperature okolja ali pogostega odpiranja vrat.

Uporaba izdelka

5.20. Podrobnosti globokega zamrzovanja

Po standardih IEC 62552 mora imeti zamrzovalnik zmogljivost, da zamrzne 4,5 kg hrane pri -18°C ali nižji temperaturi v 24 urah na vsakih 100 litrov volumna predela zamrzovalnika.

Živila lahko dlje časa hranite samo pri ali pod temperaturo -18°C.

Hrano lahko tako ohranite svežo več mesecev (v globoke zamrzovalniku pri ali pod temperaturo -18°C).

Hrana, ki jo nameravate zamrzniti, se ne sme dotikati že zamrznjene hrane, da ne pride do delnega odtajanja.

Zavrite zelenjavo in prefiltrirajte vodo, da podaljšate čas shranjevanja zamrznjenih živil. Živila najprej filtrirajte, nato pa jih dajte v nepredušne pakete in postavite v zamrzovalnik. Banan, paradižnika, zelene solate, zelene, kuhanih jajc, krompirja in podobnih živil se ne sme zamrzovati. V primeru, da ta hrana zgine, bo to negativno vpliva na prehranske vrednosti in kakovost. Gnitje, ki ogroža človeško življenje, ni vprašljivo.

5.21. Postavitev živil

Police zamrzovalnega dela	Različne vrste živil, vključno z mesom, ribami, sladoledom, zelenjavo itd.
Police predel hladilnika	Živila v loncih, zaprtih krožnikih in zaprtih ovojih, jajca (v zaprtem ovoju)
Police na vratih hladilnega dela	Manjša in pakirana živila ali pijače
Posoda za zelenjavo	Sadje in zelenjava
Predel za sveža živila	Delikatese (hrana za zajtrk, mesni izdelki, ki jih boste porabili v kratkem času)

5.22. Opozorilo za odprta vrata (izbirno)

Če vrata naprave ostanejo odprta vsaj 1 minute, boste zaslišali zvočni alarm. Zvočni alarm ugase, ko zaprete vrata ali pritisnete katerokoli tipko na prikazovalniku (če je na voljo).

Opozorilo za odprta vrata uporabnik sliši in vidi. Notranja razsvetljava ugase, če se opozorilo nadaljuje 10 minut.

5.23. Spreminjanje smeri odpiranja vrat

Smer odpiranja vrat vašega hladilnika lahko spremenite glede na lokacijo, kjer ga uporabljate. Ko to rabite, se obrnite na najbližji pooblaščen servis.

Razlaga zgoraj je samo splošna izjava.

Preverite opozorilno oznako, ki se nahaja znotraj embalaže izdelka, glede spreminjanja smeri odpiranja vrat.

5.24. Notranja luč

Notranja luč uporablja luč tipa LED. Za težave s to lučjo se obrnite na pooblaščen servis.

Luč(i), ki je(so) uporabljena(-e) v tej napravi, ni mogoče uporabiti za hišno razsvetljava. Namenska uporaba te luči je, da uporabnik varno in udobno postavi hrano v hladilnik/zamrzovalnik.

Uporaba izdelka

5.25. Modra svetloba/HarvestFresh

*Morda ni na voljo pri vseh modelih

Modra svetloba:

V sadju in zelenjavi, shranjeni v predalih Crisper in osvetljeni z modro svetlobo, se zaradi učinka valovne dolžine modre svetlobe nadaljuje proces fotosinteze, zato se ohrani vsebnost vitaminov.

HarvestFresh:

V sadju in zelenjavi, shranjeni v predalih Crisper in osvetljeni s tehnologijo HarvestFresh, se vitamini ohranijo dlje časa zaradi modre, zelene in rdeče svetlobe ter temnih ciklov, ki posnemajo dnevni cikel.

Če odprete vrata hladilnika v temnem ciklu tehnologije HarvestFresh, hladilnik to samodejno zazna in za lažjo uporabo osvetli predal Crisper z modro-zeleno ali rdečo svetlobo. Ko zaprete vrata hladilnika, se nadaljuje temni cikel, ki predstavlja nočni čas dnevnega cikla.

5.26. Košara za mlečne izdelke (hladen prostor)

Zagotavlja nižjo temperaturo kot v hladilniku.

V tej košari shranjujete delikatese (salame, klobase, mlečni izdelki itd.), ki zahtevajo nižjo temperaturo skladiščenja ali mesne, piščančje ali ribje izdelke za takojšnjo uporabo. V tej košari ne shranjujete sadja in zelenjave.

Ob rednem čiščenju naprave se njena življenjska doba podaljša.



OPOZORILO: Pred začetkom čiščenja hladilnika, ga izključite iz napajanja.

- Za čiščenje ne uporabljajte ostrih abrazivnih predmetov, mila, gospodinjskih čistil, čistilnih sredstev in loščila.
- Rastopite eno žličko karbonata v pol litra vode. V to raztopino pomočite krpo in jo temeljito ožemite. S to krpo obrišite notranjost naprave in temeljito posušite.
- Preprečite, da bi ohišje luči in ostali električni predmeti prišli v stik z vodo.
- Vrata očistite z vlažno krpo. Če želite odstraniti vrata in police, jih popolnoma spraznite. Police na vratih odstranite tako, da jih pomaknete navzgor. Po čiščenju ji namestite tako, da ji zdrsnete od zgoraj navzdol.
- Za čiščenje zunanjih površin in kromiranih delov izdelka ne uporabljajte čistilnih sredstev ali klorirane vode. Klor povzroči korozijo na kovinskih površinah.
- Ne uporabljajte ostrih, abrazivnih orodij, gospodinjskih čistil, čistilnih sredstev, kerozina, olja, loščila itd., da preprečite odstranjevanje in deformacijo odtisov na plastičnem delu. Za čiščenje uporabite mlačno vodo in mehko krpo ter do suhega obrišite.

6.1. Izogibanje neprijetnim vonjavam

V proizvodnji naših naprav ne uporabljamo materialov, ki povzročajo vonj. Vendar pa nepravilno shranjevanje živil in pomanjkljivo čiščenje notranjosti naprave lahko povzroči neprijetne vonjave.

Zato vsakih 15 dni čistite hladilnik s karbonatom, raztopljenim v vodi.

- Živila shranjujte v zaprtih posodah. Mikroorganizmi, ki prihajajo iz nepokritih posod, lahko povzročijo neprijetne vonjave.
- V hladilniku ne hranite pokvarjenih živil ali živil s pretečenim rokom.

6.2. Zaščita plastičnih površin

Nemudoma očistite s toplo vodo, saj lahko olje poškoduje plastično površino.

6.3. Steklo vrat

Odstranite zaščitno folijo s stekla.

Na površini stekla je premaz. Ta premaz zmanjša nabiranje madežev in pomaga pri lažjem odstranjevanju madežev in umazanije. Steklo, ki ni zaščiteno s takšnim premazom, je lahko predmet trajne vezave zraka ali organske ali anorganske umazanije, na osnovi vode, kot je vodni kamen, mineralne soli, nezgorelih ogljikovodikov, kovinskih oksidov in silikonov, ki lahko enostavno in hitro povzročijo madeže ali materialno škodo. Ohranjanje čistega stekla postane pretežko, kljub rednemu čiščenju. Posledično se poslabšata videz in prosojnost stekla. Grobe in korozivne metode in spojine čiščenja povečajo te napake in pospešijo proces poslabšanja.

Za redno čiščenje uporabite izdelke, na osnovi vode, ki niso alkalni in jedki.

Za čiščenje uporabite nealkalne in nekorozivne materiali in tako podaljšate življenjsko dobo tega premaza.

Steklo vrat je kaljeno za večjo odpornost proti udarcem in zlomu.

Zadnja površina stekla pa je prevlečena z zaščitnim filmom kot dodatni varnostni ukrep, ki preprečuje, da bi steklo ob zlomu povzročilo škodo okolici.

* Alkalij je baza, ki tvori hidroksilne ione (OH⁻), ko jo raztopimo v vodi.

Li (Litij), Na (Natrij), K (Kalij) Rb (Rubidij), Cs (Cezij) in umetne in radioaktivne Fr (Frensijski) kovine se imenujejo ALKALIJSKE KOVINE.

7 Odpravljanje motenj

Preverite ta seznam, preden se obrnete na servisno službo. S tem boste prihranili čas in denar. Ta seznam vključuje pogoste pritožbe, ki niso povezane z nestrokovno izdelavo ali materiali. Nekatere funkcije, ki so omenjene, morda ne veljajo za vašo napravo.

Hladilnik ne deluje.

- Napajalni kabel ni v celoti vključen v vtičnico. >>> Priključite ga v celoti, da se vsede v vtičnico.
- Pregorela je glavna varovalka ali pa varovalka priključena na vtičnico, ki napaja napravo. >>> Preverite varovalke.

Kondenzacija na stranski steni predela hladilnika (MULTI CONA, COOL, NADZOR in FLEXI CONA).

- Vrata se prepogosto odpirajo. >>> Pazite, da ne boste odpirali vrat naprave prepogosto.
- Okolje je preveč vlažno. >>> Ne nameščajte naprave v vlažnih okoljih.
- Živila, ki vsebujejo tekočine, so shranjena v nezaprtih posodah. >>> Naj bodo živila, ki vsebujejo tekočine, v zaprtih posodah.
- Vrata naprave so ostala odprta. >>> Vrata naprave ne imejte odprta predolgo časa.
- Termostat je nastavljen na prenizko temperaturo. >>> Nastavite termostat na primerno temperaturo.

Kompresor ne deluje.

- V primeru nenadnega izpada električne energije ali izvlečenega vtičnega ter nato ponovnega vklopa, tlak plina v hladilnem sistemu naprave ni uravnotežen, kar sproži termično zaščito kompresorja. Naprava se bo ponovno zagnala po približno 6 minutah. Če se naprava ne zažene ponovno po tem času, se obrnite na servis.
- Odtajanje je vključeno. >>> To je normalno za popolnoma samodejno odtajanje naprave. Odtajanje se izvaja v rednih časovnih presledkih.
- Naprava ni priključena. >>> Prepričajte se, da je napajalni kabel priključen.
- Nastavitev temperature je napačna. >>> Izberite nastavitve na primerno temperaturo.
- Napajanja ni. >>> Naprava bo še naprej normalno delovala, ko se bo vrnilo napajanje.

Obratovalni hrup hladilnika se povečuje, medtem ko je v uporabi.

Hladilnik/Uporabniški priročnik

- Delovna intenzivnost naprave se lahko razlikuje, odvisno od nihanja temperature okolice. To je normalno in ne gre za okvaro.

Hladilnik teče prepogosto ali predolgo.

- Nova naprava je lahko večja od prejšnje. Večje naprave bodo delovale več časa.
- Sobna temperatura je lahko visoka. >>> Naprava običajno deluje več časa pri visoki sobni temperaturi.
- Naprava je lahko bila pred kratkim priključena na električno omrežje ali pa se novo živilo nahaja v notranjosti. >>> Naprava bo zahtevala več časa, da doseže nastavljeno temperaturo, če je bila pred kratkim priključena na električno omrežje ali pa se nahaja v notranjosti novo živilo. To je normalno.
- Velike količine tople hrane so bili morda pred kratkim dane v napravo. >>> Ne postavljajte tople hrane v napravo.
- Vrata so se pogosto odprla ali bila odprta daljše obdobje. >>> Topel zrak, ki se giblje znotraj povzroči, da naprava več časa deluje. Ne odpirajte vrat prepogosto.
- Vrata zamrzovalne skrinje ali hladilnika so lahko samo priprta. >>> Preverite, če so vrata popolnoma zaprta.
- Naprava je nastavljena na prenizko temperaturo. >>> Nastavite temperaturo na višjo stopnjo in počakajte, da naprava doseže nastavljeno temperaturo.
- Podložka vrat hladilnika ali zamrzovalnika je morda umazana, obrabljena, počena ali ni pravilno vstavljena. >>> Očistite jih ali zamenjajte podložko. Poškodovana oz. raztrgana podložka vrat bo povzročila, da naprava deluje več časa, da ohrani trenutno temperaturo.

Temperatura zamrzovalnika je zelo nizka, vendar je temperatura hladilnika primerna.

- Termostat zamrzovalnika je nastavljen na zelo nizko temperaturo. >>> Nastavite temperaturo predela zamrzovalnika na višjo stopnjo in še enkrat preverite.

Temperatura hladilnika je zelo nizka, vendar je temperatura zamrzovalnika primerna.

- Termostat hladilnika je nastavljen na zelo nizko temperaturo. >>> Nastavite temperaturo predela hladilnika na višjo stopnjo in še enkrat preverite.

Živilski izdelki hranjeni v predalih hladilnika so zamrznjeni.

Oodpravljanje težav

- Termostat hladilnika je nastavljen na zelo nizko temperaturo. >>> Nastavite temperaturo predela zamrzovalnika na višjo stopnjo in še enkrat preverite.

Temperatura hladilnika ali zamrzovalnika je previsoka.

- Termostat hladilnika je nastavljen na zelo visoko stopnjo. >>> Nastavitev temperature v predelu hladilnika vpliva na temperaturo predela zamrzovalnika. Spremenite temperaturo hladilnika ali zamrzovalnika in počakajte, da ustreznih predeli dosežejo nastavljeno temperaturno raven.
- Vrata so se pogosto odpirala ali bila odprta daljše obdobje. >>> Ne odpirajte vrat prepogosto.
- Vrata so lahko samo priprta. >>> Popolnoma zaprite vrata.
- Naprava je lahko bila pred kratkim priključena na električno omrežje ali pa se novo živilo nahaja v notranjosti. >>> To je normalno. Naprava bo zahtevala več časa, da doseže nastavljeno temperaturo, če je bila pred kratkim priključena na električno omrežje ali pa se nahaja v notranjosti novo živilo.
- Velike količine tople hrane so bili morda pred kratkim dane v napravo. >>> Ne postavljajte tople hrane v napravo.

Tresenje ali hrup.

- Tla niso ravna ali gladka. >>> Če se naprava trese, ko jo počasi premikate, prilagodite nogice za uravnoteženje naprave. Prav tako poskrbite, da so tla dovolj trdna, da nosijo napravo.
- Vsi predmeti, ki so dani na napravo lahko povzročijo hrup. >>> Odstranite vse predmete, ki so postavljeni na napravo.

Naprava proizvaja hrup pretoka tekočine, pršenja ipd.

- Principi delovanja naprave vključujejo tokove tekočin in plinov. >>> To je normalno in ne gre za okvaro.

Sliši se zvok podoben vetriču, ki prihaja iz naprave.

- Naprava uporablja ventilator za postopek hlajenja. To je normalno in ne gre za okvaro.

Nabira se kondenzacija na notranjih stenah naprave.

- Vroče ali vlažno vreme bo povečalo nabiranje ledu in kondenzacije. To je normalno in ne gre za okvaro.
- Vrata so se pogosto odprta ali bila odprta daljše obdobje. >>> Ne odpirajte vrat prepogosto; če so odprta, zaprite vrata.
- Vrata so lahko samo priprta. >>> Popolnoma zaprite vrata.

Nabira se kondenzacija na zunanjih stenah naprave ali med vrati.

- Prostor je lahko vlažen, kar je povsem normalno v vlažnem vremenu. >>> Kondenzacija se bo umaknila, ko se vlažnost zmanjša.

Notranjost ima neprijetne vonjave.

- Naprava se ne čisti redno. >>> Redno čistite notranjost z uporabo gobice, tople vode in vode s sodo.
- Nekatere posodice in embalažni materiali lahko povzročijo neprijeten vonj. >>> Uporabite posodice in embalažne materiale brez neprijetnega vonja.
- Živila so se hranila v nezaprth posodah. >>> Hranite živila v zaprtih posodah. Mikroorganizmi se lahko širijo iz nezaprte hrane in povzročijo vonjave.
- Odstranite vsa pretekle ali pokvarjena živila iz naprave.

Vrata se ne zapirajo.

- Embalaža živil lahko ovira vrata. >>> Premaknite vse predmete, ki ovirajo vrata.
- Naprava ne stoji v popolnem pokončnem položaju glede na tla. >>> Prilagodite nogice za uravnoteženje naprave.
- Tla niso ravna ali gladka. >>> Poskrbite, da so tla v ravnini in dovolj trdna, da nosijo napravo.

Posoda za zelenjavo se je zataknila.

- Živilski izdelki so lahko v stiku z zgornjim delom predala. >>> Premestite kose hrane v predalu.



OPOZORILO: Če težave ne odpravite po sledenju navodilom v tem poglavju, se obrnite na prodajalca ali pooblaščen servis. Ne poskušajte sami popraviti naprave.

ZAVRNITEV ODGOVORNOSTI / OPOZORILO

Nekatere (enostavne) napake lahko končni uporabnik ustrezno popravi, ne da bi prišlo do kakršnih koli varnostnih težav ali nevarne uporabe, pod pogojem, da so izvedene v mejah in v skladu z naslednjimi navodili (glejte poglavje "Samopopravila").

Če ni drugače dovoljeno v spodnjem poglavju "Samopopravila", bodo vsa popravila naslovljena na registriranega pooblaščenega serviserja, da se izognemo varnostnim težavam. Registrirani pooblaščen serviser je poklicni serviser, ki mu je proizvajalec odobril dostop do navodil in seznama nadomestnih delov tega izdelka v skladu z metodami, opisanimi v zakonodajnih aktih v skladu z Direktivo 2009/125/ES.

Vendar lahko samo servisni agent (tj. pooblaščen poklicni serviserji), do katerega lahko pridete prek telefonske številke, navedene v uporabniškem priročniku/garancijskem listu ali prek pooblaščenega prodajalca, opravlja storitve v skladu z garancijskimi pogoji. Zato vas prosimo, da upoštevate, da za popravila, ki jih izvajajo poklicni serviserji (ki niso pooblaščen s strani Beko) ne bo veljala garancija.

Samopopravila

Končni uporabnik lahko sam izvede popravilo v zvezi z naslednjimi rezervnimi deli: vratni ročaji, vratni tečaji, pladnji, košare in vratna tesnila (posodobljen seznam je na voljo tudi na spletnem mestu support.beko.com od 1. marca 2021).

Poleg tega je treba za zagotovitev varnosti izdelka in za preprečitev nevarnosti resnih poškodb omenjeno samopopravilo opraviti po navodilih v uporabniškem priročniku za samopopravilo ali v navodilih, ki so na voljo na support.beko.com Zaradi lastne varnosti izdelek izključite iz električnega omrežja, preden se lotite kakršnega koli samopopravljanja.

Popravila in poskusi popraviljanja končnih uporabnikov za dele, ki niso vključeni na tak seznam in/ali ne upoštevajo navodil v uporabniških priročnikih za samopopravilo ali so na voljo na support.beko.com, lahko sprožijo vprašanja varnosti, ki jih ni mogoče pripisati Beko, in garancija za ta izdelek ne velja.

Zato je zelo priporočljivo, da se končni uporabniki vzdržijo poskusov popravil, ki ne spadajo v omenjeni seznam rezervnih delov, in se v takšnih primerih obrnejo na pooblaščen poklicni serviserje ali registrirani poklicni serviser. Nasprotno, takšni poskusi končnih uporabnikov lahko povzročijo varnostne težave in poškodujejo izdelek ter posledično povzročijo požar, poplavo, električni udar in resne telesne poškodbe.

Primeri popravil, za katere se je treba obrniti na pooblaščen ali registrirane poklicne serviserje, so med drugim naslednji: kompresor, hladilni krogotok, matična plošča, inverterska plošča, plošča zaslona itd.

Proizvajalec/prodajalec ni odgovoren v primeru, ko končni uporabniki ne upoštevajo zgoraj navedenega.

Razpoložljivost rezervnih delov hladilnik, ki ste ga kupili, je 10 let.

V tem obdobju bodo na voljo originalni nadomestni deli za pravilno delovanje hladilnik. Hladilnik, ki ste ga kupili, ima najmanj 24-mesečno garancijo.

Molimo, prvo pročitajte ovaj priručni!





Poštovani korisniče,




Zahvaljujemo na odabiru ovog proizvoda. Nadamo se da ćete biti zadovoljni sjajnim rezultatima ovog proizvoda koji je proizveden primjenom visokokvalitetne i najsuvremenije tehnologije. Stoga vas molimo, pročitajte pažljivo ovaj priručnik u cijelosti kao i ostalu isporučenu dokumentaciju prije uporabe proizvoda i čuvajte ga za buduću uporabu. Ako proizvod odlučite proslijediti nekom drugom tada mu proslijedite i ovaj priručnik. Pridržavajte se svih upozorenja i informacija u korisničkom priručniku.

Upamtite kako je ovaj korisnički priručnik primjenjiv i na nekoliko drugih modela. Razlike između modela navest će se u priručniku.

Objašnjenje simbola

U korisničkom priručniku koriste se sljedeći simboli:

	Važne informacija i korisni savjeti o načinu korištenja.
	Upozorenja za situacije opasne po život i imovinu.
	Upozorenje za strujni udar.
	Ambalažni materijal proizvoda proizveden je od recikliranih materijala u skladu s nacionalnim odredbama o zaštiti okoliša.

 PODACI	
 ENERGY 	Podaci o modelu pohranjeni u bazi podataka o proizvodu mogu se dobiti unosom sledeće mrežne stranice i pretragom po identifikacionom broju vašeg modela (*) koji se nalazi na oznaci potrošnje električne energije.
SUPPLIER'S NAME A	MODEL IDENTIFIER (*) A
	https://eprel.ec.europa.eu/

1 Važne upute za sigurnost i očuvanje okoliša **3**

- 1.1. Općenite informacije o sigurnosti 3
 - 1.1.1 HCA upozorenje 5
 - 1.1.2 Za proizvode s dispencerom za vodu..... 5
- 1.2. Namjena 6
- 1.3. Sigurnost djece 6
- 1.4. Sukladnost s Direktivom o gospodarenju otpadnim električnim i elektroničkim uređajima i opremom (WEEE Directive) i odlaganjem otpada: 6
- 1.5. Sukladnost s Direktivom o ograničavanju opasnih tvari (RoHS Directive): 7
- 1.6. Informacije o pakiranju 7

2 Vaš uređaj **8**

3 Postavljanje **9**

- 3.1. Odgovarajuće mjesto za postavljanje..... 9
- 3.2. Postavljanje plastičnih klinova .. 9
- 3.3. Podešavanje nožica 10
- 3.4. Električni priključak 10

4 Priprema **11**

- 4.1. Radnje za uštedu energije..... 11
- 4.2. Početna upotreba 12

5 Rukovanje uređajem **13**

- 5.1. Ploča indikatora..... 13
- 5.2. premnik za led 16
- 5.3. Držač za jaja 16
- 5.4. Ventilator 16
- 5.5. Odjeljak za povrće 16
- 5.6. Odjeljak za hlađenje 16
- 5.7. Pokretna polica na vratima 17
- 5.8. Klizni spremnik za pohranu 17
- 5.9. Plavo svjetlo 17
- 5.10. Odjeljak za povrće s kontrolom vlage 18

- 5.11. Automatski ledomat 18
- 5.12. Opis i čišćenje filtra za neugodne mirise 19
- 5.13. HerbBox/HerbFresh..... 19
- 5.14. Uporaba raspršivača za vodu... 20
- 5.15. Uporaba raspršivača za vodu... 20
- 5.16. Punjenje spremnika aparata za vodu..... 21
- 5.17. Čišćenje spremnika za vodu ... 22
- 5.18. Podloška za kapanje..... 23
- 5.19. Zamrzavanje svježije hrane 24
- 5.20. Preporuke za čuvanje zamrznute hrane..... 25
- 5.21. Podaci o dubokom zamrzavanju 25
- 5.22. Stavljanje hrane 25
- 5.23. Upozorenje o otvorenim vratima 26
- 5.24. Promjena smjera otvaranja vrata 26
- 5.25. Lampa za osvjetljenje 26
- 5.26. Plavo svjetlo/HarvestFresh 26
- 5.27. Polica za mliječne proizvode ... 26 (hladnjak) 26

6 Čišćenje i održavanje **27**





- 6.1. Izbjegavanje neugodnih mirisa 27
- 6.2. Zaštita plastičnih površina 28
- 6.3. Stakla na vratima 28

7 Rješavanje problema **29**

1 Važne upute za sigurnost i očuvanje okoliša

Ovaj odjeljak sadrži informacije o sigurnosti koje će vam pomoći zaštititi se od opasnosti od tjelesnih ozljeda i oštećenja imovine. Ne pridržavanje ovih uputa poništava sva jamstva.

Predviđena namjena

	UPOZORENJE: Ventilacijski otvori uređaja trebaju biti u kućistu ili unutar ugradbene strukture, te ne smije biti prepreka.
	UPOZORENJE: Ne koristite mehaničke uređaje ili druga sredstva za ubrzanje postupka odmrzavanja, osim onih koje je preporučio proizvođač.
	UPOZORENJE: Nemojte oštetiti sklop rashladnog sredstva.
	UPOZORENJE: Ne koristite električne uređaje unutar odjeljaka za čuvanje hrane u uređaju, osim ako nisu tip koji je preporučio proizvođač.

Ovaj uređaj namijenjen je uporabi u kućanstvu te za primjenu u prostorima poput:

- kuhinja za osoblje, u trgovinama, uredima i drugim radnim okruženjima;
- od strane gostiju u hotelima, motelima ili drugim vrstama sličnih uslužnih objekata;
- u uslužnim objektima poput pansiona.
- za cetering i slične primjene različite od maloprodaje

1.1. Općenite informacije o sigurnosti

- Djeca starija od 8 godina i ljudi sa smanjenim tjelesnim, psihičkim, senzornim i mentalnim sposobnostima, kao i neupućene ili neiskusne osobe, mogu koristiti ovaj uređaj ako su pod nadzorom i ako su upućeni u sigurnu uporabu uređaja, kao i povezane opasnosti.. Djeca se ne smiju igrati s uređajem. Čišćenje i korisničko održavanje uređaja nikada ne smiju obavljati djeca, osim kad su pod nadzorom odrasle osobe.
- Vežano za sva pitanja i probleme povezane s proizvodom posavjetujte se s ovlaštenim servisom. Nemojte sami pokušati popraviti proizvod i ne dopuštajte drugima da to čine ako niste o tome obavijestili ovlaštenu servis.
- Ako dođe do kvara tijekom rada uređaja isključite ga iz strujne utičnice.
- Ako je proizvod pokvaren ne smije se koristiti osim ako ga nije popravilo osoblje ovlaštenog servisa. Postoji opasnost od električnog udara!
- Proizvod spojite na uzemljenu utičnicu osiguranu osiguračem u skladu s vrijednostima na nazivnoj pločici. Uzemljenje treba napraviti ovlaštenu električar Naša tvrtka neće biti odgovorna za bilo kakva oštećenja koja nastanu kad se proizvod koristi bez uzemljenja u skladu s lokalnim zakonima.
- Kad ne koristite proizvod isključite ga iz strujne utičnice.

Važne upute za sigurnost i očuvanje okoliša

- Proizvod nikad ne perite prskanjem ili ulijevanjem vode u njega! Postoji opasnost od električnog udara!
- Nikad ne dirajte utikač i utičnicu mokrim rukama! Ne isključujte uređaj povlačenjem kabela, uvijek ga izvlačite tako da rukama pridrđavate utikač.
- Ne uključujte uređaj u utičnicu ako je olabavljena.
- Nikad ne spajajte proizvod na sustav za uštedu energije. Takvi sustavi mogu oštetiti proizvod.
- Isključite proizvod tijekom postavljanja, održavanja, čišćenja i popravka.
- Ne jedite sladoled i kockice leda odmah nakon što ste ih izvadili iz odjeljka zamrzivača! To može izazvati ozeblina u ustima!
- Ne dirajte rukama zamrznute namirnice! Mogu se zalijepiti za ruku!
- Ne stavljajte boce ili limenke pića u odjeljak zamrzivača. Mogu puknuti!
- Nikad ne koristite paru i materijale za čišćenje koji sadrže paru za čišćenje i odmrzavanje proizvoda. Para će izazvati kratki spoj ili struni udar, jer dolazi u kontakt s električnim dijelovima uređaja!
- Nemojte koristiti mehaničke uređaje ili druga sredstva za ubrzanje postupka odmrzavanja, osim onih koje je preporučio proizvođač.
- Nikad ne koristite dijelove uređaj poput vrata ili ladica kao potpornje ili stepenice. To može izazvati prevrtanje proizvoda ili oštećenje njegovih dijelova.
- Ne oštećujte rashladni sklop, unutar koje cirkulira rashladno sredstvo, s bušilicama ili alatom za rezanje. Rashladno sredstvo može isteći kada se plinski kanali evaporatora, produžetka cijevi ili premaza površine probuše te to može izazvati iritaciju kože i ozljede oka.
- Ne prekrivajte i ne blokirajte ventilacijske otvore proizvoda s niti jednom vrstom materijala.
- Tekućine stavite samo u uspravni položaj i dobro ih zatvorite.
- Ne koristite plinovite raspršivače u blizini proizvoda, jer postoji opasnost od požara ili eksplozije!
- Zapaljivi predmeti ili proizvodi koji sadržavaju zapaljive plinove (npr. raspršivači) te eksplozivni materijali ne smiju se nikad držati u proizvodu.
- Na vrh proizvoda ne stavljajte posude s vodom. Ako se voda prospe po električnim dijelovima to može izazvati električni udar ili požar.
- U proizvodu ne čuvajte predmete (cjepiva, lijekove osjetljive na toplinu, znanstvene materijale i sl.) koji zahtijevaju preciznu kontrolu temperature.
- Ako proizvod nećete koristiti duže vrijeme tada ga isključite iz strujne utičnice i izvadite namirnice iz njega.
- Ako je proizvod opremljen s plavim svjetlom ne gledajte u plavo svjetlo s optičkim

Važne upute za sigurnost i očuvanje okoliša

- pomagalima ili golim okom.
- Izlaganje proizvoda kiši, snijegu, suncu i vjetru je opasno u vezi sa zaštitom od električnog udara.
- Ako je proizvod opremljen s mehaničkom kontrolom (termostat) pričekajte najmanje 5 minuta prije nego što proizvod ponovo uključite nakon isključivanja iz strujne utičnice ili nakon nestanka struje.
- Prilikom prijevoza proizvoda pripazite na kabel kako se ne bi oštetio.
- Nikad ne stavljajte teške predmete na strujni kabel. Oštećeni kabel može izazvati požar.
- Ne preopterećujte proizvod. Može pasti kada se vrata otvore i izazvati ozljede ili oštećenja. Slični problemi mogu nastati ako se na vrh proizvoda stavljaju predmeti.
- Ako na vratima uređaj postoji ručka ne povlačite ručku prilikom premještanja proizvoda. Ručka se može olabaviti.
- Pripazite kako pokretni dijelovi unutar proizvoda ne bi zahvatili ruku ili druge dijelove tijela.

1.1.1 HCA upozorenje

- Ako je proizvod opremljen rashladnim sustavom koji sadrži plin R600a vodite računa i nemojte oštetiti rashladni sustav i cijevi tijekom uporabe i prijevoza. To je zapaljivi plin. Ako je rashladni sustav oštećen, proizvod držite podalje od potencijalni izvora koji mogu

izazvati zapalјivanje proizvoda i odmah dobro prozračite prostoriju u kojoj se uređaj nalazi.



Zanemarite ovo upozorenje ako je proizvod opremljen s rashladnim sustavom koji sadrži plin R134a.



Plin koji se koristi u proizvodu naveden je na pločici s tehničkim podacima smještenoj na lijevom unutrašnjem dijelu hladnjaka.



UPOZORENJE: Nikad ne bacajte proizvod u vatru.

1.1.2 Za proizvode s dispencerom za vodu

- Tlak na ulaznom otvoru hladne vode treba biti maksimalno 90 psi (6.2 bar). Ako tlak vode premaši (5,5 bar) tada na cijevima za opskrbu vodom koristite tlačno-granični ventil. Ako ne znate kako provjeriti tlak vode tada potražite pomoć kod profesionalnog vodoinstalatera.
- Ako u instalacijama postoji opasnost od efekta vodenog udara tada u instalacijama uvijek koristite opremu za sprječavanje vodenog udara. Posavjetujte se s profesionalnim vodoinstalaterom ako niste sigurni postroji li efekt vodenog udara u instalacijama.
- Ne instalirajte na ulaznom otvoru za vruću vodu. Poduzmite mjere opreza zbog opasnosti

Važne upute za sigurnost i očuvanje okoliša

od zamrzavanja cijevi. Radni interval temperature vode treba biti minimalno 33°F (0.6°C) i maksimalno 100°F (38°C).

- Koristite samo pitku vodu.

1.2. Namjena

- Ovaj uređaj namijenjen je za:- uporabu u zatvorenim prostorima kao što su kućanstva;

- zatvorenim radnim

prostorima poput trgovina i ureda;

- zatvorenim smještajnim

jedinicama poput kuća, hotela, pansiona.

- Ovaj proizvod ne smije se koristiti na otvorenom.
- Ovaj proizvod mora se koristiti samo za čuvanje namirnica.
- Proizvođač ne snosi nikakvu odgovornost zbog šteta nastalih uslijed neispravne uporabe ili prijevoza.
- Originalni rezervni dijelovi bit će dostupni 10 godina od datuma kupovine proizvoda.

1.3. Sigurnost djece

- Ambalažni materijali su opasni za djecu. Držite ambalažne materijale na sigurnom mjestu izvan dosega djece.
- Električni proizvodi su opasni za djecu. Kada koristite uređaj držite djecu podalje od njega.

- Ako su vrata proizvoda opremljena s bravom, ključeve držite izvan dohvata djece.

1.4. Sukladnost s Direktivom o gospodarenju otpadnim električnim i elektroničkim uređajima i opremom (WEEE Directive) i odlaganjem otpada:



Ovaj proizvod je sukladan s Direktivom EU o gospodarenju otpadnim električnim i elektroničkim uređajima i opremom (EU WEEE Directive) (2012/19/EU). Ovaj proizvod označen je klasifikacijskim simbolom za otpadne električne i elektroničke uređaje i opremu (WEEE).

Ovaj proizvod proizveden je od visokokvalitetnih dijelova i materijala koji se mogu ponovo koristiti i koji su pogodni za recikliranje. Po završetku vijeka trajanja ne zbrinjavajte proizvod s normalnim kućanskim i drugim otpadom. Odnosite ga od sabirnog centra za recikliranje električne i elektroničke opreme. Za više informacija o sabirnim centrima molimo posavjetujte se s tijelima lokalnih vlasti.

Važne upute za sigurnost i očuvanje okoliša

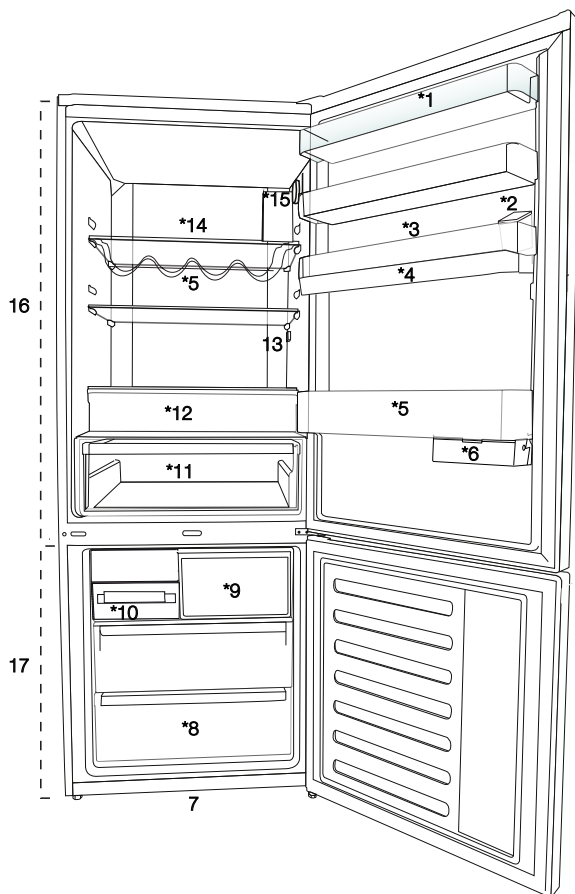
1.5. Sukladnost s Direktivom o ograničavanju opasnih tvari (RoHS Directive):

Ovaj proizvod je sukladan s Direktivom EU o ograničavanju opasnih tvari (RoHS Directive) (2011/65/EU). Proizvod ne sadrži štetne i zabranjene materijale koji su specificirani u Direktivi.

1.6. Informacije o pakiranju

- Ambalažni materijal proizvoda proizveden je od recikliranih materijala u skladu s nacionalnim odredbama o zaštiti okoliša. Ambalažni materijal ne zbrinjavajte zajedno s kućanskim i drugim otpadom. Odnosite ga u sabirne centre za ambalažni materijal određene od strane tijela lokalnih vlasti.

2 Vaš uređaj



1. Polica na vratima odjeljka hladnjaka
2. Spremnik za punjenje dispENZERA za vodu
3. Polica za jaja
4. Spremnik dispENZERA za vodu
5. Polica za boce
6. Klizna ladica
7. Podesive nožice
8. Odjeljak dubokog zamrzavanja
9. Odjeljak brzog zamrzavanja
10. Posudica za led i spremnik za led
11. Posuda za povrće
12. Polica za mliječne proizvode (hladnjak)
13. Unutarnja rasvjeta
14. Staklena polica odjeljka hladnjaka
15. Gumb podešavanja temperature
16. Odjeljak hladnjaka
17. Odjeljak zamrzivača



***opcionarno:** Ilustracije u ovom korisničkom priručniku dane su kao primjer i možda neće u potpunosti odgovarati modelu. Ako proizvod kojeg ste kupili ne sadrži određene dijelove to znači kako se ilustracija odnosi na druge modele.

3 Postavljanje

3.1. Odgovarajuće mjesto za postavljanje

Za postavljanje proizvoda obratite se ovlaštenom servisu. Da biste proizvod pripremili za upotrebu, pogledajte informacije u korisničkom priručniku i provjerite jesu li električne i vodovodne instalacije ispravne. Ako nisu, pozovite ovlaštenog električara i tehničara koji će obaviti potrebne prilagodbe.



UPOZORENJE: Proizvođač ne odgovara za oštećenja koja mogu nastati nakon postupaka koje izvedu neovlaštene osobe.



UPOZORENJE: Proizvod ne smije biti priključen na napajanje tijekom postavljanja. U suprotnom postoji opasnost od smrti ili ozbiljne ozljede!



UPOZORENJE: Ako razmak vrata u prostoriji u kojoj ćete postaviti proizvod nije toliko širok da bi proizvod mogao proći kroz njega, uklonite vrata i provucite proizvod kroz vrata tako da ga okrenete postrance; ako to ne funkcionira, pozovite ovlašteni servis.

- Proizvod postavite na ravnu površinu poda kako biste spriječili nagle udarce.
- Postavite proizvod najmanje 30 cm od izvora topline kao što su plamenici, grijalice i štednjaci i najmanje 5 cm dalje od električnih pećnica.
- Proizvod ne smije biti izložen izravnoj sunčevoj svjetlosti i vlazi.
- Kako bi se postigao učinkovit rad, oko vašeg proizvoda mora postojati odgovarajuća ventilacija. Ako se proizvod treba postaviti u otvor u zidu, osigurajte udaljenost od najmanje 5 cm od plafona i bočnih zidova.
- Proizvod nemojte postavljati na mjesta na kojima temperatura pada ispod -5°C .

- Vaš proizvod zahtijeva adekvatnu cirkulaciju zraka da bi efikasno funkcionirao. Ako će proizvod biti smješten u niši, ne zaboravite ostaviti najmanje 5 cm razmaka između proizvoda, stropa, zida sa stražnje strane i zidova s bočnih strana.
- Ako će proizvod biti smješten u niši, ne zaboravite ostaviti najmanje 5 cm razmaka između proizvoda, stropa, zida sa stražnje strane i zidova s bočnih strana. Provjerite da li se zaštitna komponenta za razmak sa stražnje strane nalazi na predviđenom mjestu (ako je isporučena uz proizvod). Ako komponenta nije dostupna ili se izgubi ili spadne, postavite proizvod tako da između stražnje površine proizvoda i zidova prostorije bude najmanje 5 cm razmaka. Razmak sa stražnje strane važan je za učinkovit rad proizvoda.

3.2. Postavljanje plastičnih klinova

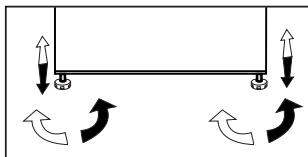
Plastični klinovi isporučeni s proizvodom upotrebljavaju se za stvaranje razmaka koji osigurava dovoljan protok zraka između proizvoda i stražnjeg zida.

1. Za postavljanje klinova uklonite vijke na proizvodu i upotrijebite vijke isporučene uz klinove.
2. Umetnite dva plastična klina u poklopac stražnje ventilacije kako je prikazano na slici.

Postavljanje

3.3. Podešavanje nožica

Ako proizvod nakon postavljanja nije uravnotežen, podesite prednje nožice tako da ih zakrenete udesno ili ulijevo.



3.4. Električni priključak



UPOZORENJE: Nemojte upotrebljavati produžne kabele ili višestruke utičnice za spajanje proizvoda na izvor napajanja.



UPOZORENJE: Oštećeni kabel napajanja mora zamijeniti ovlašteni električar.



Ako se dva hladnjaka moraju postaviti jedan do drugog, između njih treba postojati razmak od najmanje 4 cm.



Pozor: vruća površina
Bočne stijenke proizvoda opremljene su rashladnim cijevima radi poboljšanja rashladnog sustava. Rashladno sredstvo visoke temperature može prolaziti ovim dijelovima što može rezultirati vrućim površinama bočnih stijenki. To je normalno i ne zahtjeva servisiranje. Molimo, budite pažljivi kada dirate ove dijelove.

- Naša tvrtka u skladu s nacionalnim propisima nije odgovorna za bilo kakva oštećenja koja će nastati ako se proizvod upotrebljava bez uzemljenja i električnih veza.
- Utikač naponskog kabela mora biti lako dostupan nakon instalacije.
- Ne postavljajte produžne kabele ili višestruke utičnice bez kabela između proizvoda i zidne utičnice.

4.1. Radnje za uštedu energije

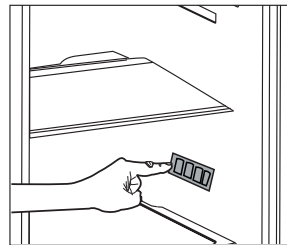


Spajanje uređaja na sustave za uštedu električne energije riskantno je jer može uzrokovati oštećenje proizvoda.

- Za samostojeći uređaj; „Ovaj rashladni uređaj nije predviđen da se koristi kao ugradni uređaj“;
- Ne ostavljajte vrata vašeg hladnjaka otvorena dulje vrijeme.
- Ne stavljajte toplu hranu ili pića u hladnjak.
- Nemojte prepuniti hladnjak, mogućnost hlađenja smanjuje se kada je otežan protok zraka unutar hladnjaka.
- Kako biste mogli pohraniti najveću moguću količinu hrane u odjeljak za zamrzavanje, potrebno je ukloniti ledomat koji se nalazi u odjeljku za zamrzavanje i koji se lako može ručno ukloniti. Vrijednosti neto volumena i potrošnje energije koje su naznačene na pločici s podacima o energiji hladnjaka izmjerene su i testirane s uklonjenim ledomatom. Nemojte uklanjati police u odjeljku zamrzivača, kao ni one na vratima odjeljka zamrzivača. Te police uvijek moraju biti u upotrebi jer omogućuju jednostavnu upotrebu i učinkovitost u potrošnji energije.
- Tok zraka ne smije se prekidati postavljanjem hrane na stranice ventilatora odjeljka zamrzivača. Potrebna je udaljenost od najmanje 3 cm na stranama zaštitnog poklopca ventilatora.
- Košare/ladice u odjeljku za hlađenje uvijek se moraju upotrebljavati za nisku potrošnju energije i za bolje uvjete pohrane.
- Kontakt hrane sa senzorom temperature u odjeljku zamrzivača može povećati potrošnju energije

uređaja. Stoga je potrebno izbjegavati bilo kakav kontakt sa senzorom (ili senzorima).

- Ovisno o značajkama proizvoda, odmrzavanje smrznute hrane u odjeljku hladnjaka uštedit će energiju te sačuvati kvalitetu hrane.



- Nemojte dopustiti da hrana dođe u kontakt s temperaturnim senzorom odjeljka hladnjaka prikazanim na slici u nastavku.
- Budući da vrući i vlažni zrak ne prodire u vaš proizvod kada vrata nisu otvorena, vaš će se proizvod optimizirati u uvjetima dostatnim za zaštitu vaše hrane. Funkcije i sastavni dijelovi kao kompresor, ventilator, grijač, odmrzivač, svjetlo, zaslon i tako dalje radit će sukladno potrebama za potrošnju minimalne energije pod ovim okolnostima

4.2. Početna upotreba

Prije upotrebe hladnjaka provjerite jesu li provedene sve pripreme u skladu s uputama u dijelovima „Uputstva za sigurnost i okoliš“ i „Postavljanje“.

- Pustite da proizvod radi 6 sati bez hrane i ne otvarajte vrata ako to nije potrebno.



Čut ćete buku kad kompresor počne raditi. Tekućine i plinovi zabrtvljeni u rashladnom sustavu također mogu stvarati buku, čak i kad kompresor ne radi i to je potpuno normalno.



Prednji krajevi proizvoda mogu biti topli na opip. To je normalno. Ova područja su napravljena da budu topla da bi se se izbjegla kondenzacija.

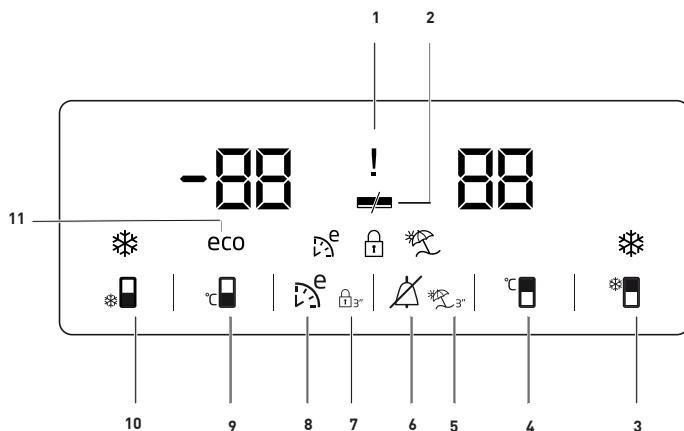


Kod nekih modela ploča s instrumentima automatski se isključuje 5 minuta nakon zatvaranja vrata. Ponovno će se uključiti kada se vrata otvore ili se pritisne bilo koja tipka.

5 Rukovanje uređajem

5.1. Ploča indikatora

Ploča indikatora omogućuje vam postavljanje temperature i upravljanje drugim funkcijama u vezi s proizvodom bez otvaranja njegovih vrata. Samo pritisnite natpise na odgovarajućim tipkama za postavke funkcija.



1. Indikator nestanka struje / visoke temperature / statusa pogreške

Ovaj indikator (!) svijetli u slučaju upozorenja na nestanak struje, visoku temperaturu i pogreške.

Kad se temperatura zamrzivača zagrije do kritične razine za smrznutu hranu, na digitalnom indikatoru trepće maksimalna vrijednost postignuta temperaturom zamrzivača.

Provjerite hranu u pretincu za zamrzavanje.

To nije kvar. Upozorenje se može izbrisati pritiskom bilo koju tipku ili tipku za isključivanje alarma visoke temperature. (Otkazivanje pritiskom na bilo koju tipku nije primjenjivo za svaki model.)

Ovaj indikator (!) svijetli i u slučaju kvara senzora. Kad ovaj indikator svijetli, na indikatoru temperature alternativno se prikazuje „E” i brojke poput „1, 2, 3...”. Ove brojke na indikatoru informiraju servisno osoblje o pogrešci.

2. Funkcija uštede energije (zaslon je isključen):

Ako su vrata uređaja zatvorena duže vrijeme, automatski se uključuje funkcija uštede energije i zasvijetli znak uštede energije. (🔌)

Kada je funkcija za uštedu energije uključena, isključit će se svi znakovi na zaslonu osim znaka za uštedu energije. Kada je funkcija za uštedu energije uključena, ako se pritisne bilo koja tipka



***Optional:** Figures in this user manual are schematic and may not match the product exactly. If the subject parts are not included in the product you have purchased, then those parts are valid for other models.

Rukovanje uređajem


ili se otvore vrata, poništiti će se funkcija za uštedu energije i znakovi na prikazu vratit će se u uobičajeno stanje.


Funkcija za uštedu energije uključuje se tijekom isporuke iz tvornice te se ne može isključiti.


3. Funkcija brzog hlađenja

Ova tipka ima dvije funkcije. Da biste aktivirali ili deaktivirali funkciju brzog hlađenja pritisnite je kratko. Indikator brzog hlađenja isključit će se i uređaj će se vratiti na normalne postavke.



 Koristite se funkcijom brzog hlađenja kada želite brzo ohladiti hranu u odjeljku hladnjaka. Ako želite ohladiti velike količine svježih hrane, preporučuje se da uključite ovu funkciju prije stavljanja hrane u hladnjak.

 Ako ga ne opozovete, brzo hlađenje će se automatski isključiti nakon 1 sata ili kada odjeljak hladnjaka dosegne potrebnu temperaturu.

 Ako više puta pritisnete tipku za brzo hlađenje u kratkim intervalima, uključit će se zaštita elektronskog sklopa i kompresor se neće odmah uključiti.

 Ova funkcija se ne poziva ponovno kad se vrati napajanje nakon kvara napajanja.



4. Tipka za postavljanje temperature odjeljka hladnjaka

Pritisnite ovu tipku da biste postavili temperaturu odjeljka hladnjaka na

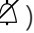
8, 7, 6, 5, 4, 3, 2, 1 i 8... Pritisnite ovu tipku da biste postavili željenu temperaturu za odjeljak hladnjaka.



5. Funkcija Odmor

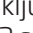
Da biste aktivirali funkciju odmora pritisnite ovu tipku () na 3 sekunde i aktivirat će se indikator načina odmora (). Kada je uključena funkcija odmora, na indikatoru temperature odjeljka hladnjaka prikazuje se „-“ i u odjeljku hladnjaka nema aktivnog hlađenja. Kada je ova funkcija uključena, odjeljak hladnjaka nije prikladan za pohranu hrane. Ostali odjeljci hladit će se prema postavljenoj temperaturi. Da biste opozvali ovu funkciju, pritisnite ponovno **tipku za funkciju odmora**.


6. Prestanak upozorenja na visoku temperaturu:

U slučaju upozorenja na nestanak struje/visoku temperaturu, možete izbrisati upozorenje () pritiskom bilo koje tipke na indikatoru ili tipke za isključivanje alarma visoke temperature 1 sekundu nakon provjere hrane u pretincu za zamrzavanje.

Napomena: Otkazivanje pritiskom bilo koje tipke nije primjenjivo za svaki model.

7. Zaključavanje tipki,

Pritisnite tipku za zaključavanje tipki () istovremeno na 3 sekunde. Znak zaključane tipkovnice


() zasvijetlit će i aktivirat će se način zaključavanja tipki. Tipke neće

Rukovanje uređajem

raditi ako je način zaključavanja tipki uključen. Pritisnite ponovno istovremeno tipku za zaključavanje tipki i držite je 3 sekunde. Znak zaključavanja tipki isključit će se i uređaj će izaći iz načina zaključavanja tipki.


Pritisnite tipku **za zaključavanje tipki** ako želite spriječiti mijenjanje postavke temperature hladnjaka ().

8. Eco-fuzzy

Pritisnite i držite tipku eco fuzzy 1 sekundu da biste uključili funkciju eco fuzzy. Hladnjak će početi raditi u najekonomičnijem načinu rada najmanje 6 sati kasnije i indikator ekonomične upotrebe uključit će se kada je funkcija aktivna (). Pritisnite i držite tipku za funkciju eco fuzzy 3 sekunde da biste isključili ovu funkciju.

Indikator će svijetliti 6 sati nakon uključivanja funkcije eco-fuzzy.

9. Tipka postavke temperature odjeljka zamrzivača

Pritisnite ovu tipku da biste postavili temperaturu odjeljka zamrzivača na -18, -19, -20, -21, -22, -23, -24 i -18... Pritisnite ovu tipku da biste postavili temperaturu odjeljka zamrzivača na željenu vrijednost. ()

10. Tipka funkcije za brzo zamrzavanje / tipka za uključivanje/isključivanje ledomata

Pritisnite ovu tipku da biste aktivirali ili deaktivirali funkciju brzog zamrzavanja. Kada uključite funkciju, odjeljak zamrzivača hladit će na

temperaturu nižu od postavljene vrijednosti. () Da biste uključili i isključili ledomat pritisnite i držite na tri sekunde.



Koristite se funkcijom brzog zamrzavanja kada želite brzo zamrznuti hranu u odjeljku hladnjaka. Ako želite zamrznuti velike količine svježe hrane, preporučuje se da uključite ovu funkciju prije stavljanja hrane u hladnjak.



Ako ga ne opozovete, brzo zamrzavanje automatski će se isključiti nakon 24 sata ili kada odjeljak hladnjaka dosegne potrebnu temperaturu.



Ova funkcija se ne poziva ponovno kad se vrati napajanje nakon kvara napajanja.

11. Oznaka ekonomične uporabe

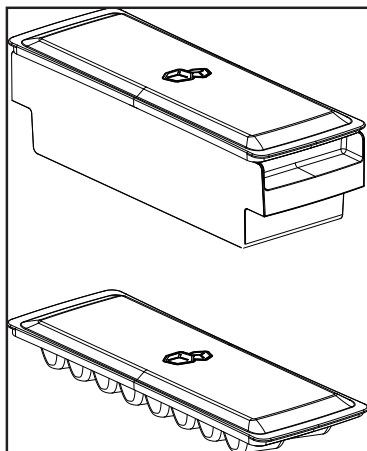
Označava da proizvod radi u energetski učinkovitom načinu rada. (**eco**) Ovaj indikator bit će uključen ako je temperatura odjeljka zamrzivača postavljena na -18 ili se zbog funkcije Eco-Extra obavlja energetski učinkovito hlađenje.



Indikator ekonomične upotrebe isključuje se kada se odabere funkcija brzog hlađenja ili brzog zamrzavanja.

5.2. spremnik za led

- Uklonite spremnik za led iz odjeljka zamrzavanja.
- Ispunite spremnik za led vodom.
- Postavite spremnik za led u odjeljak zamrzavanja. Led je spreman nakon dva sata.
- Uklonite spremnik za led iz odjeljka zamrzavanja i postavite ga preko posude za serviranje. Kockice leda jednostavno će pasti u posudu za serviranje.



5.3. Držač za jaja

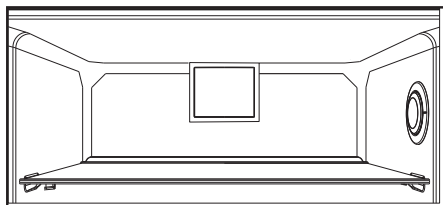
Možete instalirati držač za jaja na željenu policu vrata ili kućišta. U slučaju postavljanja na policu kućišta, preporučuju se donje hladnije police.



Nikada ne držite držač za jaja u odjeljku zamrzivača

5.4. Ventilator

Ventilator je napravljen da bi se osigurala homogena distribucija i protok hladnog zraka u vašem hladnjaku. Vrijeme rada ventilatora može se razlikovati ovisno o značajkama proizvoda. Iako ventilator radi samo s kompresorom kod nekih proizvoda, kontrolni sustav određuje vrijeme rada kod nekih proizvoda u skladu sa zahtjevima hlađenja.



5.5. Odjeljak za povrće

Odjeljak za povrće vašeg hladnjaka napravljen je posebno tako da vaše povrće održava svježim, a da ne izgubi svoju vlagu. U tu svrhu se protok zraka vrši oko odjeljka za povrće općenito.

5.6. Odjeljak za hlađenje

(Ova je funkcija neobavezna)

Koristite se ovim odjeljkom da biste pohranili delikatese koje je potrebno pohraniti na nižim temperaturama ili mesne proizvode koje ćete konzumirati u kratkom roku.

Odjeljak za hlađenje najhladnije je mjesto u hladnjaku gdje možete držati mliječne proizvode, meso, ribu i perad u idealnim uvjetima pohrane. U ovom se odjeljku ne smije pohranjivati voće i povrće.

Rukovanje uređajem

5.7. Pokretna polica na vratima

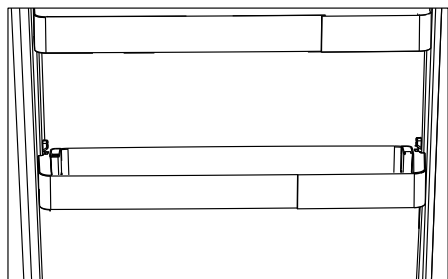
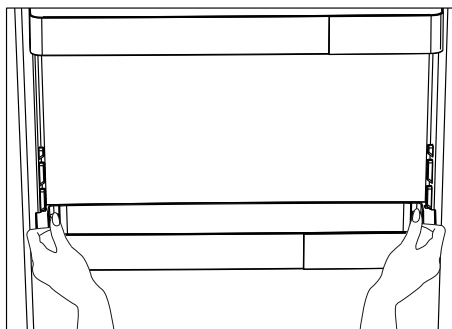
(Ova je funkcija neobavezna)

Pokretna polica na vratima može se fiksirati na 3 različita položaja.

Istom jačinom pritisnite tipke prikazane postrance da biste pomaknuli policu. Polica će se moći pomaknuti.

Pomaknite policu prema gore ili prema dolje.

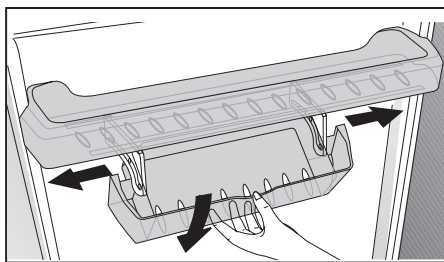
Kada polica dođe u željeni položaj, otpustite tipke. Polica će se fiksirati na položaju na kojem ste otpustili tipke.



5.8. Klizni spremnik za pohranu

(Ova je funkcija neobavezna)

Ovaj dodatak je napravljen da bi se povećao korisni volumen polica vrata. On omogućava lako postavljanje visokih boca, staklenki i konzervi na donju policu za boce zahvaljujući mogućnosti pomicanja ulijevo ili udesno.



5.9. Plavo svjetlo

(Ova je funkcija neobavezna)

Ovaj dodatak je napravljen da bi se povećao korisni volumen polica vrata. On omogućava lako postavljanje visokih boca, staklenki i konzervi na donju policu za boce zahvaljujući mogućnosti pomicanja ulijevo ili udesno.

Rukovanje uređajem

5.10. Odjeljak za povrće s kontrolom vlage

(Polica za svježinu)

(Ova je funkcija neobavezna)

S pomoću značajke odjeljka za povrće s kontrolom vlage razina vlage voća i povrća održava se pod kontrolom i osigurava se da hrana dulje ostane svježa.

Preporučujemo da listnato povrće poput zelene salate, špinata i povrća koje je osjetljivo na gubitak vlage postavite koliko god je više moguće u vodoravan položaj unutar odjeljka, kako njihovo korijenje ne bi bilo u okomitom položaju.

Prilikom postavljanja povrća, potrebno je uzeti u obzir specifičnu gravitaciju povrća. Teško i tvrdo povrće potrebno je postaviti na dno odjeljka, a lagano i meko povrće na vrh.

Povrće unutar odjeljka nikada nemojte ostaviti u njihovim vrećicama. Ako povrće ostavite u vrećicama, brže će istrunuti. U slučaju da se iz higijenskih razloga ne preporučuje kontakt s drugim povrćem, koristite se perforiranim papirom ili drugim sličnim materijalom za pakiranje umjesto vrećicom.

Kruške, marelice, breskve itd., a posebno jabuke koje imaju veliku razinu stvaranja etilena, nemojte stavljati u isti odjeljak s drugim voćem i povrćem. Etilen koji ovo voće stvara može uzrokovati brže dozrijevanje i truljenje ostalog voća.

5.11. Automatski ledomat

(Ova je funkcija neobavezna)

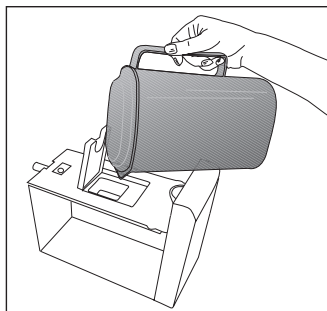
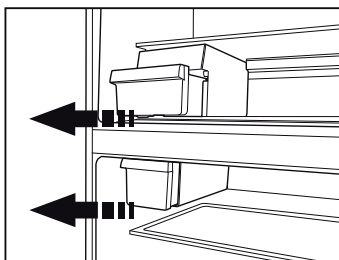
Automatski ledomat omogućuje vam jednostavnu izradu leda u hladnjaku. Izvadite spremnik za vodu u odjeljku hladnjaka, napunite ga vodom i vratite nazad da biste iz ledomata dobili led. Prve kockice leda će biti spremne za otprilike 2 sata u ladici ledomata koja se nalazi u odjeljku hladnjaka.

Ako koristite cijeli spremnik za vodu, moći ćete dobiti otprilike 60-70 kockica leda.

Promijenite vodu u spremniku ako je stajala oko 2-3 tjedna.



Za proizvode koji imaju automatski ledomat, tijekom izrade leda možda će se čuti zvukovi. To je normalno i ne znači da postoji pogreška.



Rukovanje uređajem

5.12. Opis i čišćenje filtra za neugodne mirise

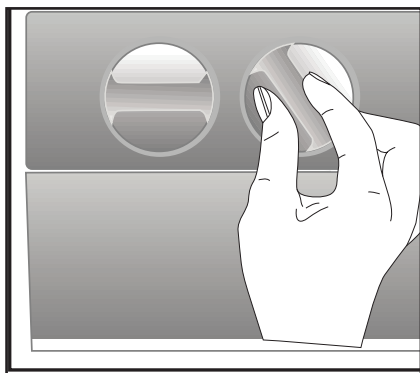
(Ova je funkcija neobavezna)

Filtar za neugodne mirise sprečava nakupljanje neugodnih mirisa u proizvodu.

1. Povucite poklopac u koji je montiran filtari za neugodne mirise prema dolje s obzirom na prednji dio i uklonite ga kako je prikazano.
2. Ostavite filtari pod sunčevom svjetlošću jedan dan. Filtari će se za to vrijeme očistiti.
3. Postavite filtari nazad na mjesto.



Filtari za neugodne mirise se mora čistiti jednom godišnje.



5.13. HerbBox/HerbFresh

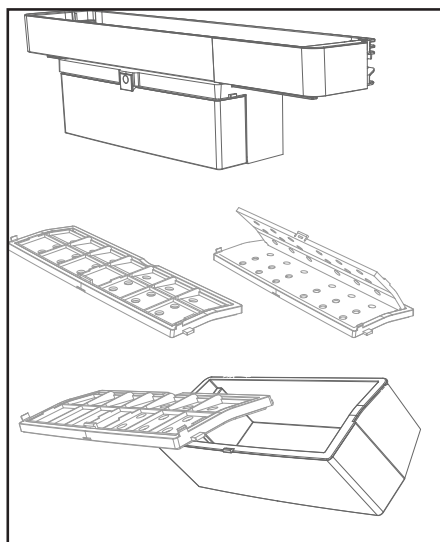
Uklonite prozirni spremnik s dijela HerbBox/HerbFresh+

Izvadite foliju iz vrećice i stavite je na prozirni spremnik na način prikazan na slici.

Ponovno zatvorite spremnik i vratite ga na mjesto u dijelu namijenjenom za HerbBox/HerbFresh+.

Dio HerbBox/HerbFresh+ posebno je namijenjen za čuvanje različitih začinske biljke koje se trebaju čuvati u posebnim uvjetima. Začinske biljke koje ne čuvate u vrećicama (peršin, kopar, itd.) možete čuvati u vodoravnom položaju u ovom dijelu i dugo vremena ih održati svježima.

Film će se zamijeniti svakih šest mjeseci.



5.14. Uporaba raspršivača za vodu

***neobavezno**



Normalno je da će prvih nekoliko čaša vode uzetih s raspršivača biti toplo.

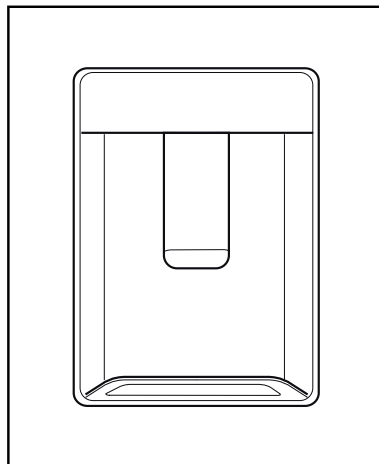


Ako se aparat za vodu ne upotrebljava duže vrijeme, prolijte prvih nekoliko čaša vode da biste dobili čistu vodu.

1. Gurnite prema unutra polugu spremnika za vodu pomoću vaše čaše. Ako upotrebljavate mekanu plastičnu čašu, bit će jednostavnije gurnuti polugu rukom.
2. Kada se čaša napuni do razine koju želite, otpustite polugu.



Imajte na umu da koliko vode teče iz spremnika ovisi o tome koliko duboko pritisnete polugu. Kako razina vode u vašoj šalici/čaši raste, polako smanjite pritisak na polugu da biste spriječili prelijevanje. Ako lagano pritisnete ručicu, voda će kapati; to je normalno i nije kvar.



5.15. Uporaba raspršivača za vodu

***neobavezno**

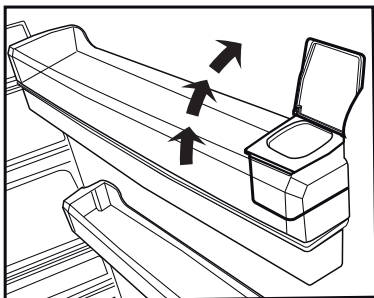
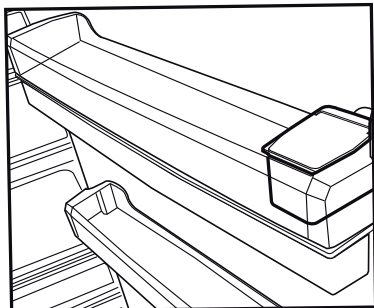


Normalno je da će prvih nekoliko čaša vode uzetih s raspršivača biti toplo.



Ako se aparat za vodu ne upotrebljava duže vrijeme, prolijte prvih nekoliko čaša vode da biste dobili čistu vodu.

1. Gurnite prema unutra polugu spremnika za vodu pomoću vaše čaše. Ako upotrebljavate mekanu plastičnu čašu, bit će jednostavnije gurnuti polugu rukom.
2. Kada se čaša napuni do razine koju želite, otpustite polugu.



Imajte na umu da koliko vode teče iz spremnika ovisi o tome koliko duboko pritisnete polugu. Kako razina vode u vašoj šalici/ čaši raste, polako smanjujte pritisak na polugu da biste spriječili prelijevanje. Ako lagano pritisnete ručicu, voda će kapati; to je normalno i nije kvar.

5.16. Punjenje spremnika aparata za vodu

Spremnik za vodu se nalazi unutar police vrata.

1. Otvorite poklopac spremnika.
2. Napunite spremnik svježom pitkom vodom.
3. Zatvorite čep.



Nemojte puniti spremnik bilo kojom tekućinom osim vode, kao što su voćni sokovi, gazirana pića ili alkoholna pića koja nisu podesna za uporabu s pipom za vodu. Pipa za vodu će se pokvariti do nepopravljivosti ako se koriste te vrste tekućina. Jamstvo ne pokriva takvu uporabu. Neke kemijske tvari i aditivi koji su sadržani u toj vrsti pića/tekućina mogu oštetiti materijal spremnika za vodu.



Upotrebljavajte samo čistu pitku vodu.

Rukovanje uređajem



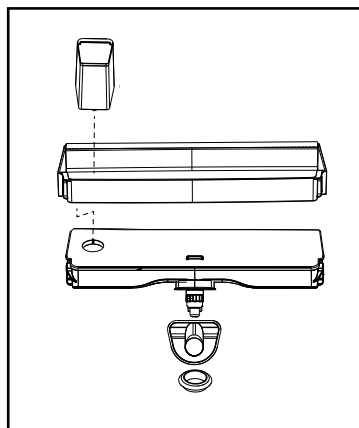
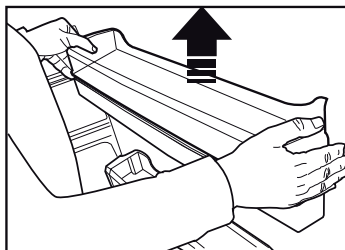
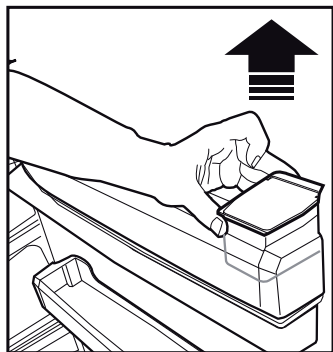
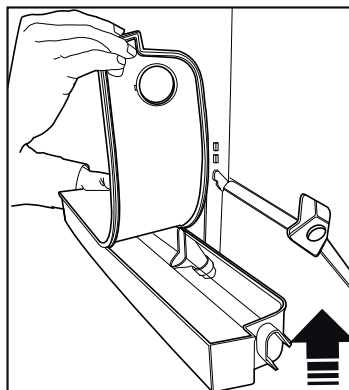
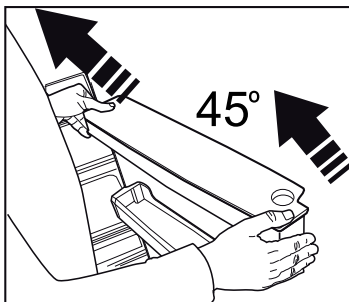
Kapacitet spremnika za vodu je 3 litre; nemojte prepuniti.

5.17. Čišćenje spremnika za vodu

1. Izvadite spremnik za vodu unutar police vrata.
2. Uklonite policu na vratima tako da je držite s obje strane.
3. Uхватите spremnik za vodu s obje strane i uklonite ga s kutom od 45°C.
4. Otvorite poklopac spremnika za vodu i očistite spremnik.



Dijelovi spremnika za vodu i pipe za vodu se ne smiju prati u perilici.



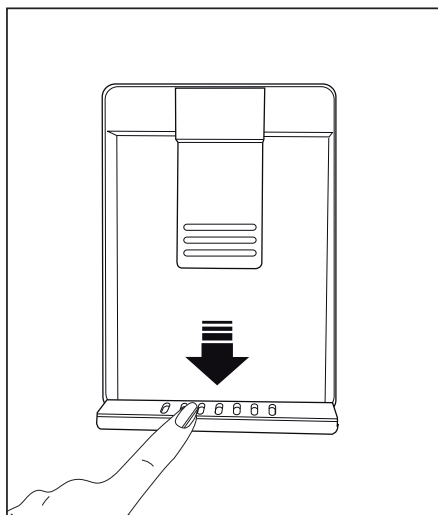
Rukovanje uređajem

5.18. Podloška za kapanje

Voda koja kapa tijekom uporabe pipe za vodu se sakuplja u podloški.

Izvadite plastični filtar kako je prikazano na slici.

Uklonite nakupljenu vodu čistom i suhom krpom.



Rukovanje uređajem

5.19. Zamrzavanje svježe hrane

- Kako bi se sačuvala kvaliteta hrane, hrana će se zamrznuti što je brže moguće nakon stavljanja u hladnjak; u tu svrhu upotrebjavajte funkciju brzog zamrzavanja.
- Ako hranu zamrznete dok je svježija, možete je dulje pohraniti u odjeljku za zamrzavanje.
- Zapakirajte hranu za zamrzavanje i zatvorite pakiranje tako da onemogućite ulazak zraka.
- Prije stavljanja hrane u zamrzivač, obavezno je zapakirajte. Umjesto tradicionalnog papira, upotrebjavajte spremnike za zamrzivač, folije i papire otporne na vlagu, plastične vrećice i ostalu ambalažu.
- Na svakom pakiranju hrane naznačite datum prije zamrzavanja. Na taj ćete način moći razlikovati svježinu pojedinih paketa hrane svaki put kada otvorite zamrzivač. Hranu koja je ranije zamrznuta postavite u prednji dio zamrzivača da biste je mogli prvu iskoristiti.



Pretinac za zamrzavanje automatski odmrzava.

- Smrznutom se hranom koristite odmah nakon odmrzavanja, ona se ne smije ponovno zamrzavati.
- Nemojte zamrzavati prevelike količine istodobno.

Postavka odjeljka zamrzivača	Postavka odjeljka hladnjaka	Napomene
-18 °C	4 °C	To je normalna preporučena postavka.
- 20, - 22 ili -24°C	4 °C	Ove postavke su preporučene kad sobna temperatura prelazi 30°C.
Brzo zamrzavanje	4 °C	Koristite kad želite zamrznuti svoju hranu u kratkom vremenu. Vaš će se proizvod vratiti u prethodni način rada kad postupak bude gotov.
-18 °C ili hladnije	2 °C	Upotrebjavajte ovu postavku ako mislite da odjeljak nije dovoljno hladan zbog tople okoline ili čestog otvaranja i zatvaranja vrata.

5.20. Preporuke za čuvanje zamrznute hrane

Odjeljak se mora postaviti na najmanje -18 °C.

1. Pakiranja stavite u zamrzivač što prije nakon kupnje, prije nego što se odmrznu.
2. Provjerite je li rok upotrebe istekao.
3. Provjerite da ambalaža hrane nije oštećena.

5.21. Podaci o dubokom zamrzavanju

Prema normi IEC 62552, proizvod zamrzava najmanje 4,5 kg hrane na sobnoj temperaturi od 25 °C do -18 °C ili niže unutar 24 sata za svakih 100 litara mase u zamrzivaču.

Moguće je hranu sačuvati na duže vrijeme samo na temperaturi od -18 °C ili nižoj.

Mjesecima možete održavati hranu svježom (pri temperaturi od -18 °C ili nižoj u dubokom zamrzavanju).

Hrana za zamrzavanje ne smije doći u dodir s prethodno smrznutom hranom kako bi se spriječilo djelomično odmrzavanje.

Skuhajte povrće i iscijedite njihovu vodu ako povrće zamrzavate na dulje vrijeme.

Nakon što iscijedite vodu, stavite ga u vakumiranu ambalažu i zatim u zamrzivač. Hrana poput banana, rajčica, zelene salate, celera, kuhanih jaja, krumpira nije prikladna za zamrzavanje. Zamrzavanje takve hrane negativno će utjecati na njihovu hranjivu vrijednost i okus. Hrana ne smije biti pokvarena kako ne bi uzrokovala rizik za ljudsko zdravlje.

5.22. Stavljanje hrane

Police odjeljka zamrzivača	Različita zamrznuta hrana kao što je meso, riba, sladoled, povrće itd.
Police odjeljka hladnjaka	Hrana u loncima, pokrivenim tanjurima i zatvorenim posudama, jaja (u zatvorenom pakiranju)
Police vrata odjeljka hladnjaka	Mala i zapakirana hrana ili pića
Odjeljak za povrće	Povrće i voće
Odjeljak za svježu hranu	Delikatese (hrana za doručak, mesni proizvodi koji se brzo konzumiraju)

Rukovanje uređajem

5.23. Upozorenje o otvorenim vratima

(Ova je funkcija neobavezna)

Upozorenje o otvorenim vratima korisniku se pruža vizualno i zvučno. Ako upozorenje potraje 10 minuta, unutrašnja će se svjetla isključiti.

5.24. Promjena smjera otvaranja vrata

Smjer otvaranja vrata može se promijeniti u skladu s mjestom na kojem ćete ga upotrebljavati. Ako je potrebno, obratite se najbližem ovlaštenom servisu.

Gornji je opis općenit. Za informacije o promjeni smjera otvaranja vrata pogledajte naljepnicu upozorenja na unutrašnjoj strani vrata.

5.25. Lampa za osvjetljenje

Za osvjetljenje se upotrebljavaju LED lampe. U slučaju bilo kakvih problema, obratite se ovlaštenom servisu. Žaruljica (ili žaruljice) u ovom uređaju nije prikladna za osvjetljivanje prostorija kućanstva. Namjena ove žaruljice jest pomoći korisniku da namirnice stavi u hladnjak/zamrzivač na siguran i ugodan način.

5.26. Plavo svjetlo/ HarvestFresh

*Možda nije dostupno kod svih modela

Za plavo svjetlo,

Voće i povrće pohranjeno u odjeljcima za voće i povrće osvjetljenim plavim svjetlom nastavlja da vrši fotosintezu pomoću efekta valnih duljina plave svjetlosti i na taj način sadržaj vitamina u njima ostaje sačuvan.

Za HarvestFresh,

Voće i povrće pohranjeno u odjeljcima za voće i povrće osvjetljenim tehnologijom HarvestFresh duže će održati vitamine u sebi zahvaljujući plavim, zelenim, crvenim svjetlima i ciklusima mraka, koji simuliraju dnevni ciklus. Ako otvorite vrata hladnjaka tokom perioda mraka HarvestFresh tehnologije, hladnjak će to automatski otkriti i omogućiti da plavo-zeleno ili crveno svjetlo osvjetle odjeljke za voće i povrće, radi vaše ugodnosti. Nakon što zatvorite vrata hladnjaka, period mraka će se nastaviti, predstavljajući period noći tokom dnevnog ciklusa.

5.27. Polica za mliječne proizvode

(hladnjak)

- osigurava nisku temperaturu unutar odjeljka hladnjaka Ovu policu koristite za čuvanje delikatesa (salama, kobasica, mliječnih proizvoda i sl.) koje zahtijevaju nižu temperaturu čuvanja ili za čuvanje proizvoda od mesa, piletine ili ribe koji će se odmah konzumirati. Na ovoj polici ne čuvajte voće i povrće.

6 Čišćenje i održavanje

Radni vijek proizvoda se produžuje te se smanjuje broj učestalih problema ako ga se čisti u redovitim vremenskim razmacima.



UPOZORENJE: Prije čišćenja isključite uređaj iz strujne utičnice.

- Nikad za čišćenje ne koristite benzin, benzen ili slične tvari.
- Za čišćenje nikad ne koristite oštre i abrazivne alate, sapun, sredstva za čišćenje kućanstva, deterdžente i vosak za poliranje.
- Rastopite jednu čajnu žličicu sode bikarbone u pola litre vode. Umočite krpu u tu otopinu i dobro je iscijedite. S njom pobrišite unutarnji dio uređaja i dobro ga osušite.
- Pripazite da voda ne uđe u kućište žaruljice i druge električne dijelove.
- Ako uređaj nećete koristiti duže vremena, isključite ga iz strujne utičnice, izvadite namirnice iz njega, očistite ga i ostavite vrata odškrinuta.
- Redovito provjeravajte čistoću gume na vratima. Ako nije čista očistite je.
- Za skidanje vrata i polica unutar hladnjaka prvo izvadite njihov sadržaj. Police na vratima uklonite povlačenjem. Nakon čišćenja, vratite ih na mjesto počevši od vrha prema dnu.
- Nikad ne koristite sredstva za čišćenje koja sadrže klor za čišćenje unutarnjeg dijela hladnjaka i njegovih kromiranih dijelova. Klor može izazvati koroziju na metalnim površinama.

6.1. Izbjegavanje neugodnih mirisa

Materijali koji mogu stvoriti mirise ne koriste se u proizvodnji naših proizvoda. Međutim, zbog neispravnih uvjeta čuvanja namirnica i ako se unutarnji dio uređaja ne čisti kako treba to može izazvati probleme s mirisima. Pripazite na sljedeće i izbjegnite ovaj problem:

- Važno je održavati uređaj čistim. Ostaci namirnica, mrlje i sl. mogu izazvati stvaranje mirisa. Stoga, čistite hladnjak sa sodom bikarbonom rastopljenom u vodi svakih 15 dana. Nikad ne koristite deterdžente ili sapun.
- Držite namirnice u zatvorenim posudama. Mikroorganizmi koji se šire iz nezatvorenih posuda mogu izazvati stvaranje neugodnih mirisa.
- U hladnjaku nikad ne držite namirnice kojima je istekao rok trajanja, jer se mogu pokvariti.

6.2. Zaštita plastičnih površina

U hladnjak nikad ne stavljajte tekuća ulja/masti ili jela kuhana na ulju/masti u nezatvorenim posudama jer mogu oštetiti njegove plastične površine. Ako se ulje/mast prolije ili razmaže po plastičnim površinama, odmah očistite i dobro isperite taj dio površine s toplom vodom.

6.3. Stakla na vratima

Uklonite zaštitnu foliju na staklima. Na površini stakla je premaz. Ovaj premaz smanjuje nakupljanje mrlja i pridonosi lakšem uklanjanju mogućih mrlja i prljavštine. Stakla koja nisu zaštićena takvim premazom mogu biti izložena konstantnom vezivanju organske ili anorganske prljavštine zasnovane na zraku ili vodi, kao što su kamenac, mineralne soli, neizgoreni ugljikohidrati, oksidi metala i silikoni koji mogu lako i brzo uzrokovati mrlje ili materijalna oštećenja. Održavanje stakla čistim postaje preteško unatoč redovitom čišćenju. Zbog toga propada izgled i prozirnost stakla. Oštri i korozivni načini čišćenja i spojevi će pojačati te nedostatke i ubrzati postupak propadanja.

Za redovito čišćenje se trebaju koristiti proizvodi za čišćenje zasnovani na vodi koji nisu alkalni i korozivni.

Za čišćenje se moraju koristiti nealkalni i nekorozivni materijali, tako da vijek trajanja ovog premaza traje dugo.

Ova stakla su temperirana da bi se povećala trajnost od udaraca i loma. sigurnosni premaz se također primjenjuje na stražnje površine kao dodatna sigurnosna mjera da bi se spriječilo oštećenje okoline u slučaju loma.

* Alkali su lužine koje tvore ionske hidrokside (OH^-) kad se otope u vodi. Li (litij), Na (natrij), K (kalij) Rb (rubidij), Cs (cezij) i umjetni i radioaktivni Fr (fancij) metali se zovu ALKALNI METALI.

7 Rješavanje problema

Molimo, pogledajte ovaj popis prije upućivanja poziva ovlaštenom servisu. To vam može uštedjeti vrijeme i novac. Ovaj popis uključuje česte problema koji nisu nastali zbog neispravnog rada ili kvara hladnjaka. Neke od opisanih funkcija možda ne postoje kod vašeg modela hladnjaka.

Uređaj ne radi.

- Utikač nije ispravno umetnut u utičnicu. >>> **Ispravno umetnite utikač u utičnicu.**
- Pregorio je osigurač utičnice u koju je uključen hladnjak ili je pregorio glavni osigurač. >>> **Provjerite osigurač.**

Vlaga na bočnim stjenkama odjeljka hladnjaka (MULTIZONA, UPRAVLJANJE RASHLAĐIVANJEM I FLEKSI ZONA).

- Temperatura okruženja je jako niska. >>> **Ne postavljajte hladnjak u prostorije gdje temperatura pada ispod 10 .**
- Vrata se često otvaraju. >>> **Ne otvarajte i ne zatvarajte učestalo vrata hladnjaka.**
- Okruženje je jako vlažno. >>> **Ne postavljajte hladnjak u prostorije s velikom vlagom.**
- Namirnice koje sadrže tekućinu čuvaju se u otvorenim posudama. >>> **Namirnice koje sadrže tekućinu čuvajte u zatvorenim posudama.**
- Vrata su odškrinuta. >>> **Ne ostavljajte vrata hladnjaka otvorena dugo vremena.**
- Termostat je podešen na jako hladnu razinu. >>> **Podesite termostat na odgovarajuću razinu.**

Kompresor ne radi

- Zaštitni termički osigurač kompresora će se blokirati tijekom iznenadnog nestanka struje ili isključivanja i uključivanja strujnog utikača jer tlak rashladnog sredstva u rashladnom sustavu uređaja nije bio balansiran. Uređaj će početi s radom nakon približno 6 minuta. Molimo, nazovite osoblje ovlaštenog servisa ako uređaj ne počne s radom nakon tog vremena.
- Hladnjak je u ciklusu odmrzavanja. >>> **To je normalno za hladnjake s automatskih odmrzavanjem. Ciklus odmrzavanja odvijaju se periodično.**
- Uređaj nije uključen u strujnu utičnicu. >>> **Provjerite je li strujni utikač dobro priključen na utičnicu.**
- Postavke temperature nisu dobro podešene. >>> **Odaberite odgovarajuću vrijednost temperature.**
- Došlo je do nestanka struje. >>> **Kada se el. energije ponovo uspostavi uređaj počinje normalno raditi.**

Zvuk koji uređaj proizvodi pojačava se kada uređaj radi.

- Radne performanse uređaja mogu se mijenjati uslijed promjena u temperaturi okruženja. To je normalno i ne predstavlja kvar.

Uređaj radi često ili dugo vremena.

Rješavanje problema

- Novi proizvod je možda širi od prijašnjeg. Veći uređaji rade dulje vremena.
- Sobna temperatura je možda previsoka. >>> **Normalno je da proizvod radi dulje vrijeme u toplom okruženju.**
- Uređaj je možda tek nedavno uključen u struju utičnicu ili u njemu ima mnogo namirnica. >>> **Kada je hladnjak nedavno uključen u strujnu utičnicu ili ako u njemu ima mnogo namirnica tada će mu trebati dulje vremena za postizanje podešene temperature. To je normalno.**
- Možda su nedavno u hladnjak stavljene vruće namirnice. >>> **Ne stavljajte u hladnjak vruće namirnice.**
- Vrata se možda učestalo otvaraju ili su ostavljena odškrinuta duže vrijeme. >>> **Topli zrak koji je ušao u hladnjak utječe na dulji rad hladnjaka. Ne otvarajte često vrata hladnjaka.**
- Možda su vrata odjeljka zamrzivača ili hladnjaka ostavljena odškrinuta. >>> **Provjerite jesu li vrata dobro zatvorena.**
- Uređaj je podešen na vrlo nisku temperaturu. >>> **Podesite temperaturu hladnjaka na viši stupanj i pričekajte dok se temperatura ne postigne.**
- Brtva na vratima hladnjaka ili zamrzivača je prljava, istrošena, potrgana ili nepravilno stavljena. >>> **Očistite i zamijenite brtvu. Oštećena/pokidana brtva (guma) na vratima uređaja utječe na produljenje vremena rada uređaja radi održavanja podešene temperature.**

Temperatura zamrzivača je jako niska dok je temperatura hladnjaka dobra.

- Temperatura zamrzivača je podešena na vrlo nisku vrijednost. >>> **Podesite temperaturu zamrzivača na veću vrijednost i provjerite.**

Temperatura hladnjaka je jako niska dok je temperatura zamrzivača

- Temperatura hladnjaka je podešena na vrlo nisku vrijednost. >>> **Podesite temperaturu hladnjaka na veću vrijednost i provjerite.**

Namirnice koje se čuvaju u ladicama odjeljka hladnjaka su zamrznute.

- Temperatura hladnjaka je podešena na vrlo visoku vrijednost. >>> **Podesite temperaturu hladnjaka na nižu vrijednost i provjerite.**

Temperatura hladnjaka ili zamrzivača je jako visoka.

- Temperatura hladnjaka je podešena na vrlo visoku vrijednost. >>> **Postavke temperature odjeljka hladnjaka utječu na temperaturu zamrzivača. Promijenite temperaturu hladnjaka ili zamrzivača i pričekajte dok odgovarajući odjeljci ne postignu željenu temperaturu.**
- Vrata se učestalo otvaraju ili su ostavljena odškrinuta duže vrijeme. >>> **Ne otvarajte često vrata.**
- Vrata su odškrinuta. >>> **Dobro zatvorite vrata.**
- Uređaj je možda tek nedavno uključen u struju utičnicu ili u njemu ima mnogo namirnica. >>> **To je normalno. Kada je uređaj nedavno uključen u strujnu utičnicu ili ako u njemu ima mnogo namirnica tada će mu trebati dulje vremena za postizanje podešene temperature.**
- Možda su nedavno u hladnjak stavljene vruće namirnice. >>> **Ne stavljajte u hladnjak vruće namirnice.**

Vibracija ili buka.

Rješavanje problema

- Pod nije ravan ili stabilan. >>> Ako se proizvod klima kada se lagano dodirne uravnotežite ga podešavanjem nožica. Također, vodite računa o tome da je pod dovoljno čvrst i ravan da može izdržati težinu proizvoda.
- Predmeti koji se stave na hladnjak mogu izazvati buku. >>> Uklonite predmete s hladnjaka.

Iz uređaja se čuju zvukovi poput protoka tekućine, prskanja, itd.

- Protok tekućina i plinova odvija se u skladu s radim principima proizvoda. >>> To je normalno i ne predstavlja kvar.

Iz uređaja se čuje zvuk sličan puhanu vjetra.

- Ventilatori se koriste za hlađenje uređaja. To je normalno i ne predstavlja kvar.

Kondenzacija na unutarnjim stjenkama uređaja.

- Vruće i vlažno vrijeme povećava stvaranje leda i vlage. To je normalno i ne predstavlja kvar.
- Vrata se učestalo otvaraju ili su ostavljena odškrinuta duže vrijeme. >>> Ne otvarajte često vrata, zatvorite ih ako su otvorena.
- Vrata su odškrinuta. >>> Dobro zatvorite vrata.

Vlaga nastaje na vanjskim stjenkama uređaja ili između vrata.

- Možda je zrak vlažan; to je normalno ako je vrijeme sparno. >>> Kad u zraku ima manje vlage, kondenzacija nestaje.

Neugodan miris u hladnjaku.

- Hladnjak se ne čisti redovito. >>> Redovito čistite unutarnji dio uređaja sa spužvom, mlakom vodom i sodom bikarbonom rastopljenom u vodi.
- Neke posude ili materijali za pakiranje mogu stvoriti neugodni miris. >>> Koristite posude ili materijal za pakiranje različitih proizvođača.
- Namirnice se čuvaju u otvorenim posudama. >>> Držite namirnice u zatvorenim posudama. Mikroorganizmi koji se šire iz nezatvorenih posuda mogu izazvati stvaranje neugodnih mirisa.
- Iz hladnjaka uklonite namirnice kojima je istekao rok trajanja, jer se mogu pokvariti.

Vrata se ne zatvaraju.

- Ambalaža u kojoj su namirnice sprječava zatvaranje vrata. >>> Premjestite ambalažu koja sprječava zatvaranje vrata.
- Hladnjak ne stoji ravno na podu. >>> Podesite nožice i uravnotežite uređaj.
- Pod nije ravan ili čvrst. >>> Također, vodite računa o tome da je pod dovoljno čvrst i ravan da može izdržati težinu proizvoda.

Posude za povrće su se zaglavile.

- Namirnice dotiču vrh ladice. >>> Razmjestite namirnice u ladici.



UPOZORENJE: Ako se problem ne može riješiti unatoč tome što ste se pridržavali uputa u ovom odjeljku posavjetujte se s trgovcem ili osobljem ovlaštenog servisa. Ne pokušavajte sami popraviti neispravan proizvod.

ODRICANJE OD ODGOVORNOSTI / UPOZORENJE

Neke (jednostavne) kvarove može riješiti sam krajnji korisnik bez ikakvih sigurnosnih problema ili opasnosti koje mogu iskrsnuti uz uvjet da je to obavljeno u granicama i u skladu sa sljedećim uputama (pogledajte dio „Samopomoć“).

Stoga, osim ako nije drukčije određeno u donjem dijelu „Samopomoći“ popravke trebaju obaviti registrirani stručni servisi kako bi se izbjegli problemi sa sigurnosti. Registrirani stručni servis je stručni servis kojem je proizvođač odobrio pristup uputama i popisu rezervnih dijelova za ovaj proizvod u skladu s metodama opisanim u zakonskim aktima u skladu s Direktivom 2009/125/EC.

Međutim, samo servisni zastupnik (tj. ovlašteni stručni servisi) kojeg možete kontaktirati na telefonski broj naveden u korisničkom priručniku/jamstvenom listu ili ovlašteni zastupnik mogu obaviti servis u skladu s uvjetima jamstva. Stoga, upozoravamo vas kako će popravci koje su obavili stručni servisi (koje nije ovlastila tvrtka Beko) poništiti jamstvo.

Samopomoć

Samopopravak može obaviti krajnji korisnik za sljedeće zamjenjive dijelove: ručke na vratima, šarke vrata, ladice, košare i brtva na vratima (ažurirani popis dostupan je na support.beko.com od 01. ožujka 2021.)

Pored toga, kako bi se osigurala sigurnost proizvoda i spriječila opasnost od teških ozljeda, spomenuta samopomoć treba se obaviti pridržavajući se uputa u korisničkom priručniku za samopomoć ili onih dostupnih na support.beko.com Zbog vaše sigurnosti, isključite proizvod iz strujne mreže prije početka obavljanja bilo kakve samopomoći.

Popravak i pokušaj popravka koje obavljaju krajnji korisnici za dijelove koji nisu uključeni na popis i/ili ako se ne pridržavaju uputa u korisničkom priručniku ili onih dostupnih na support.beko.com, mogu izazvati sigurnosne probleme koji se ne mogu pripisati Beko te koji će poništiti jamstvo proizvođača.

Stoga, izričito se preporučuje da se krajnji korisnici suzdrže od pokušaja popravka koji ne uključuje spomenuti popis rezervnih dijelova te da u tom slučaju kontaktiraju ovlaštene stručne servise ili registrirane stručne servise. U suprotnom, takvi pokušaji koje poduzmu krajnji korisnici mogu izazvati sigurnosne probleme i oštetiti proizvod te posljedično izazvati požar, poplavu, smrt zbog strujnog udara i teške tjelesne ozljede.

Na primjer, ali se ne ograničavajući na to, sljedeće popravke moraju obaviti ovlašteni profesionalni servisi ili registrirani profesionalni servisi: kompresor, rashladni sklop, matična ploča, inverter ploča, ploča zaslona, itd.

Proizvođač/prodavač neće se smatrati odgovornim u slučaju da krajnji korisnici ne poštuju gore navedeno.

Dostupnost rezervnih dijelova za hladnjaka koju ste kupili je 10 godina.

Tijekom ovog razdoblja originalni rezervni dijelovi bit će dostupni za ispravan rad hladnjaka.

Minimalno trajanje jamstva hladnjaka kojeg ste kupili je 24 mjeseca.

Tisztelt vásárlónk!

Bízunk benne, hogy termékünk, mely egy modern gyárban készült, és a legaprólékosabb minőségirányítási eljárások alapján lett tesztelve, hatékony szolgáltatást fog biztosítani az Ön számára. Ehhez azt javasoljuk, hogy használat előtt alaposan olvassa el a teljes használati útmutatót, és azt ne dobja ki, mert a jövőben még szüksége lehet rá.. Ha a terméket átadja egy másik személynek, a termékek együtt adja át ezt a használati útmutatót is.

Ez a használati útmutató segít a készüléket gyors és biztonságos módon használni.




- A termék beszerelése és használata előtt olvassa el a használati útmutatót.
- Mindig tartsa be az alkalmazható biztonsági előírásokat.
- A használati útmutatót tartsa olyan helyen, ahol a jövőben könnyen hozzá tud férni.
- Olvassa el a többi dokumentumot is, melyet a termékhez kapott.

Ne feledje, ez a használati útmutató más modellekre is érvényes lehet. A használati útmutató egyértelműen jelöli a különböző modellek közötti eltéréseket.

Szimbólumok és észrevételek

Ez a használati útmutató a következő szimbólumokat tartalmazza:

	Fontos információ vagy hasznos tippek
	Figyelmeztetés élet vagy tulajdonra veszélyes körülményekre.
	Figyelmeztetés áramütés veszélyére.
	A termék csomagolása újrahasznosítható anyagból készült a Nemzeti környezetvédő törvényeknek megfelelően.

 INFORMÁCIÓ	
 ENERGY 	A termékadatbázisban tárolt modellinformációkat elérheti a következő weboldalra belépéssel és az energiacímkén található modell azonosítójának (*) megkeresésével.
SUPPLIER'S NAME → A	MODEL IDENTIFIER (*) ← A
https://eprel.ec.europa.eu/	

Tartalomjegyzék

1 Biztonsági és környezetvédelmi utasítások	3	5 A termék használata	11
1.1. Általános tudnivalók		5.1. Kijelző panel	11
1.1.1 HC figyelmeztetés		5.2. Ventilátor	14
1.1.2 Vízagolóval felszerelt modellek esetén		5.3. Zöldségtartó	14
1.2. Rendeltetésszerű használat		5.4. Nullfokos tárolórekesz	14
1.3. Gyermekbiztonság		5.5. Mozgó ajtórekesz	14
1.4. A WEEE irányelvnek való megfelelés és a hulladék termék megsemmisítése		5.6. Csúszó tárolódoboz	15
1.5. Az RoHS irányelvnek való megfelelés		5.7. HerbBox/HerbFresh	15
1.6. Csomagolásra vonatkozó információ		5.8. Ellenőrzött páratartalmú zöldségtartó	16
		5.9. Automatikus jégkockakészítő	16
		5.10. Icematic és jégdoboz	17
2 Hűtőszekrény	7	5.11. A vízagoló használata	17
		5.12. A víztartály feltöltése	18
3 Üzembe helyezés	8	5.13. A víztartály tisztítása	19
		5.14. Csepegtetőtálca	20
3.1. A megfelelő elhelyezés		5.15. Friss étel lefagyasztása	21
3.2. A műanyag ékek rögzítése		5.16. Típpel a fagyasztott ételek tárolásához	21
3.3. A lábak beállítása		5.17. Tudnivalók a mélyfagyasztásról	21
3.4. Elektromos összeköttetés		5.22. Kék fény/HarvestFresh	22
4 Előkészítés	10	5.23. A tejtermék (hűtő tároló) rekesz	22
		5.18. Az élelmiszer elhelyezése	22
4.1. Teendők az energiatakaré- kosság érdekében		5.19. Nyitott ajtó riasztás	22
4.2. Az első használat		5.20. Belső világítás	22
		5.21. Az ajtó nyitási irányának módosítása	22
		6 Tisztítás és karbantartás	23
		6.1. A kellemetlen szagok elkerülése	23
		6.2. A műanyag felületek védelme	23
		7 A problémák javasolt megoldása	24

1 Biztonsági és környezetvédelmi utasítások

Ez a rész bemutatja a sérülés és az anyagi kár megelőzéséhez szükséges utasításokat. Amennyiben ezeket az utasításokat figyelmen kívül hagyja, az a termékre vonatkozó mindennemű garanciát érvénytelenít.

Rendeltetészerű használat

	FIGYELMEZTETÉS: Tartsa szabadon a készülék burkolatában vagy a belső szerkezetében lévő szellőzőnyílásokat.
	FIGYELMEZTETÉS: Ne használjon mechanikus eszközöket vagy más módszereket a leolvasztás felgyorsításához, kizárólag a gyártó által ajánlottakat.
	FIGYELMEZTETÉS: Ne sértse meg a hűtőközeg keringési rendszerét!
	FIGYELMEZTETÉS: Ne használjon elektromos berendezést a készülék élelmiszer tárolására alkalmas rekeszeiben, kivéve a gyártó által ajánlott típusokat.
	FIGYELMEZTETÉS: Ne tároljon a készülékben gyúlékony anyagokat, pl. aeroszolos dobozokat.

A készülék kizárólag háztartásokban és egyéb hasonló helyeken használható, pl.:

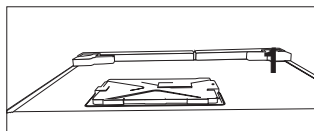
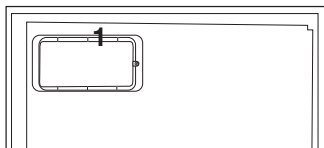
- boltok, irodák és egyéb munkakörnyezetek személyzeti konyhái;
- gazdaságok és hotelben, motelben vagy egyéb lakókörnyezetben megszálló vendégek;

- panzió típusú környezetek;
- vendéglátás és hasonló, nem kereskedelmi alkalmazások.

1.1. Általános tudnivalók

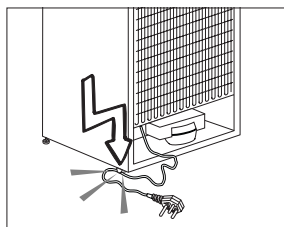
- Ezt a terméket nem használhatják gyerekek és olyan, csökkent fizikai, érzékszervi illetve mentális képességű személyek, akik nem rendelkeznek elegendő tudással és tapasztalattal. Ilyen személyek csak egy, a biztonságukért felelős személy felügyelete alatt és az ő utasításával használhatják a készüléket. Gyermeknek nem játszhatnak a készülékkel.
- Meghibásodás esetén áramtalanítsa a készüléket.
- Miután kihúzta, várjon legalább 5 percet, mielőtt újra bedugná.
- Ha a készülék nincs használatban, húzza ki a hálózati dugaszát.
- Ne érjen a dugóhoz nedves kézzel! Ne a kábelnél fogva húzza ki, mindig fogja meg a dugót.
- A hűtőszekrényt ne csatlakoztassa laza konnektorba.
- Az üzembe helyezés, karbantartás, tisztítás és javítás idejére húzza ki a terméket.
- Ha a terméket egy ideig nem fogja használni húzza ki a hálózati dugaszt, és az összes élelmiszert távolítsa el belőle.
- Ne használja a terméket, ha a termék hátoldalának felső részén elhelyezkedő áramköri kártyákat tartalmazó rekesz (elektromos kártyadoboz fedele) (1) nyitva van.

Biztonsági és környezetvédelmi figyelmeztetések



- Ne használjon gőzt vagy gőzzel tisztító anyagokat a hűtőszekrény tisztítására és a belső jég olvasztására. A gőz eljuthat az árammal ellátott területekre és rövidzárlatot vagy áramütést okozhat!
- Ne mossa meg a terméket permetezéssel vagy víz ráöntésével! Áramütés veszélye áll fenn!
- Meghibásodás esetén ne használja a terméket, mert áramütést okozhat. Mielőtt bármit csinálna, lépjen kapcsolatba a minősített szervizzel.
- A terméket földelt konnektorba dugja be. A földelést egy képzett villanyszerelőnek kell elvégeznie.
- Ha a terméknek LED típusú világítása van, a cserét illetően vagy bármilyen probléma esetén lépjen kapcsolatba a minősített szervizzel.
- Ne érjen hozzá fagyasztott élelmiszerhez nedves kézzel! Hozzátapadhat a kezéhez!
- Ne helyezzen üvegekben vagy konzervdobozokban tárolt folyadékot a fagyasztórekeszbe. Szétrobbánhatnak!
- A folyadékokat függőleges helyzetben helyezze el, miután jól rászorította a kupakot.
- Ne permetezzen gyúlékony anyagokat a termék közelében, mert felgyulladhatnak vagy felrobbanhatnak.

- Ne tartson gyúlékony anyagokat vagy gyúlékony gázokat tartalmazó termékeket (spray-k stb.) a hűtőszekrényben.
- Ne helyezzen folyadékot tartalmazó tárolókat a termék tetejére. Az árammal ellátott alkatrészekre kifröccsenő víz áramütést vagy tüzet okozhat.
- Ne tegye ki a terméket esőnek, hónak, napsütésnek és szélnek, mert ez elektromos veszélyt okoz. A terméket áthelyezéskor ne az ajtó fogantyújánál fogva húzza. A fogantyú leválhat.
- Ügyeljen, hogy a kezének vagy testének semmilyen része ne szoruljon be a termék belsejében található bármilyen mozgó alkatrészbe.
- Ne lépjen rá és ne dőljön rá a hűtőszekrény ajtajára, a fiókjaira vagy más hasonló részeire. Ez a termék lezuhanását okozhatja és károsítja az alkatrészeket.
- Ügyeljen rá, hogy a tápkábel ne szoruljon be.



1.1.1 HC figyelmeztetés

Ha a termék R600a gázzal működő hűtőrendszerrel van felszerelve, ügyeljen rá, hogy ne károsítsa a hűtőrendszert és annak csövét a termék használata és mozgatása közben. Ez a gáz gyúlékony. Ha a hűtőrendszer károsodott, tartsa távol a terméket a gyújtóforrásoktól és azonnal szellőztesse ki a helyiséget.



A bal oldal belsején található címke jelzi a termékben használt gáz típusát.

1.1.2 Vízadagolóval felszerelt modellek esetén

- A hideg víz beömlőnyílásának nyomása legfeljebb 620 kPa (90 psi) lehet. Ha a víznyomás túllépi az 550 kPa (80 psi) értéket, a fő vízellátó rendszeren használjon nyomáshatároló szelepet. Ha nem tudja, hogyan kell megmérni a víznyomást, kérjen segítséget egy vízvezeték-szerelő szakembertől.
- Ha fennáll a vízütés jelenség veszélye az Ön rendszerében, mindig használjon vízütés-megelőző berendezést a rendszerben. Kérjen tanácsot vízvezeték-szerelő szakemberektől, ha nem biztos benne, hogy fennáll-e a vízütés jelensége az Ön rendszerében.
- A forró vizet ne kösse be. Tegyen óvintézkedéseket a tömlők fagyásának veszélye ellen. A vízhőmérséklet üzemi tartománya minimum 0,6 °C (33 °F) és maximum 38 °C (100 °F).
- Csak ivóvizet használjon.

1.2. Rendeltetészerű használat

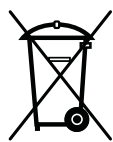
- A terméket otthoni használatra tervezték. Nem való kereskedelmi használatra.
- A terméket csak étel és ital tárolására lehet használni.
- A hűtőszekrényben ne tartson érzékeny termékeket, amelyek ellenőrzött hőmérsékletet igényelnek (oltóanyagok, hőérzékeny gyógyszer, orvosi eszközök stb.).
- A gyártó nem vállal semmilyen felelősséget a helytelen használat miatt okozott károkért.
- Eredeti pótalkatrészeket a termék megvásárlását követően 10 évig biztosítanak.

1.3. Gyermekbiztonság

- A csomagolóanyagokat tartsa távol a gyermekektől.
- Ne engedje, hogy a gyermekek játszanak a termékkel.
- Ha termék ajtajához zár tartozik, a kulcsot tartsa távol a gyermekektől.

1.4. A WEEE irányelvnek való megfelelés és a hulladék termék megsemmisítése

A termék megfelel az uniós WEEE irányelv (2012/19/EU) követelményeinek. A terméken megtalálható az elektromos és elektronikus hulladékok besorolására vonatkozó szimbólum (WEEE).



Ez a készülék kiváló minőségű újra felhasználható és újrahasznosítható alkatrészekből és anyagokból készült. A hulladék terméket annak élettartamának végén ne a szokásos háztartási vagy egyéb hulladékkal együtt selejtezze le. Vigye el egy, az elektromos és elektronikus berendezések újrahasznosítására szakosodott begyűjtőhelyre. A begyűjtőhelyek kapcsán tájékozódjon a helyi hatóságoknál.

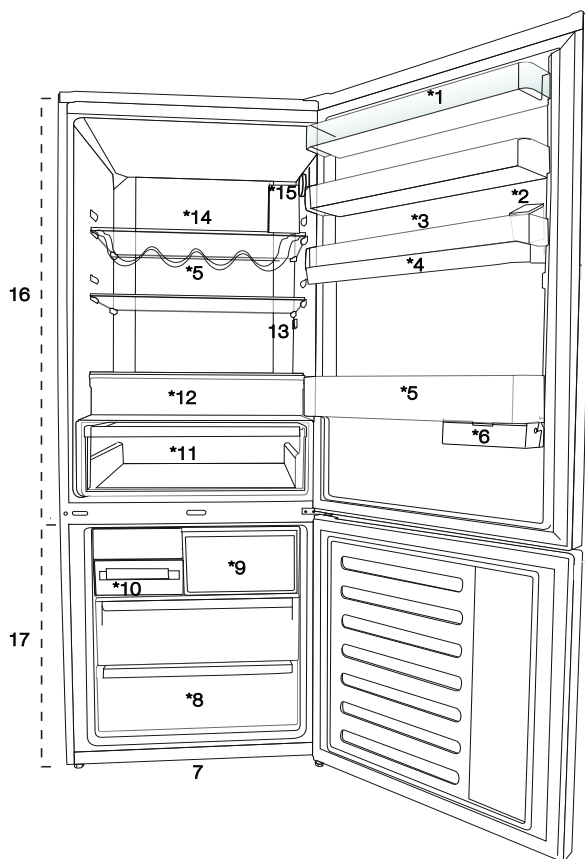
1.5. Az RoHS irányelvnek való megfelelés

- A termék megfelel az uniós WEEE irányelv (2011/65/EU) követelményeinek. A termék nem tartalmaz az irányelvben meghatározott káros vagy tiltott anyagokat.

1.6. Csomagolásra vonatkozó információ

A termék csomagolóanyagai, a nemzeti környezetvédelmi előírásokkal összhangban, újrahasznosítható anyagokból készültek. A csomagolóanyagokat ne a háztartási vagy egyéb hulladékokkal együtt dobja ki. Vigye el őket a helyi hatóságok által e célra kijelölt csomagolóanyag-begyűjtő pontokra.

2 Hűtőszekrény



1. Hűtőszekrény ajtópolc
2. Vízádagoló töltőtartály
3. Tojástartó
4. Vízádagoló tároló
5. Üvegtartó polc
6. Csúszo tárolódoboz
7. Állítható lábak
8. Mélyhűtő rekesz
9. Gyorsfagyasztó rekesz
10. Jégkockatartó & Ice bank
11. Zöldségtartó
12. A tejtermék (hűtő tároló) rekesz
13. Belső világítás
14. Hűtőszekrény üvegpalc
15. Hőmérsékletszabályzó gomb
16. Hűtőszekrény
17. Fagyasztószekrény



*Opcionális: A használati útmutatóban található képek szemléltető jellegűek, nem a valódi terméket ábrázolják. Amennyiben olyan részeket talál, melyek nem találhatók meg, az Ön által megvásárolt termékben, akkor azok más modellekre vonatkoznak.

3 Üzembe helyezés

3.1. A megfelelő elhelyezés

A termék üzembe helyezéséhez lépjen kapcsolatba a hivatalos szervizzel. A termék üzembe helyezésének befejezéséhez olvassa el a használati utasítást és győződjön meg róla, hogy az elektromos és a vízcsatlakozások megfelelnek a követelményeknek. Ellenkező esetben hívjon egy villanszerelőt és egy vízszerelőt a csatlakozások biztosítása érdekében.

	FIGYELEM: A gyártó nem vállal felelősséget az illetéktelen személyek által végzett munkából származó károkokért.
	FIGYELEM: Beszerelés közben ne dugja be a hűtőt a konnektorba. Ellenkező esetben súlyos vagy halálos sérülést szenvedhet.
	FIGYELEM: Amennyiben a hűtőszekrény tárolására kijelölt szoba ajtaja nem elég széles, a hűtők ajtajainak eltávolításához hívja ki a hivatalos szervizt.

- A rázkódások elkerülése érdekében a hűtőszekrényt egy egyenes padlón helyezze el.
- A hűtőt legalább 30 cm-re kell elhelyezni minden hőforrástól (pl. kandalló, sütő, főzőlap) és legalább 5 cm-re az elektromos sütőtől.
- Tartsa távol a hűtőszekrényt a közvetlen napsütéstől és a nedves helyektől.
- A hatékony működés érdekében a hűtőszekrényt egy jól szellőző helyen kell elhelyezni.
- Amennyiben a hűtőszekrényt egy fal bemélyedésbe helyezi be, a készülék körül minden irányból legalább 5 cm helyet kell hagyni.
- Ne tartsa a hűtőszekrényt -5°C -nál alacsonyabb hőmérsékleten.
- Az Ön terméke a hatékony működéshez megfelelő légáramlást igényel. Ha a terméket egy alkóvba helyezi, ne felejtse el hagyni legalább 5 cm távolságot a termék, a mennyezet és a hátsó és oldal falak között.
- Ha a terméket egy alkóvba helyezi, ne felejtse el hagyni legalább 5 cm távolságot a termék, a mennyezet és a hátsó és oldal falak között. Ellenőrizze, hogy a hátsó fal védőkomponense a helyén van-e (ha a termékkel együtt szállították). Ha az alkatrész nem áll

rendelkezésre, vagy elveszett vagy leesett, helyezze el a terméket úgy, hogy legalább 5 cm szabad hely maradjon a termék hátó része és a szoba fala között. A termék hatékony működése szempontjából fontos a hátsó hézag.

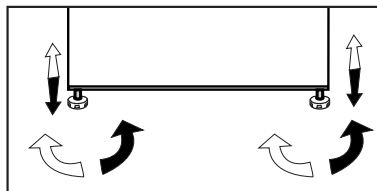
3.2. A műanyag ékek rögzítése

A mellékelt műanyag ékek segítenek megtartani a szükséges távolságot a hűtő és a fal között, és így a levegő szabadon tud áramolni.

1. Az ékek rögzítéséhez csavarozza ki a jelenlegieket, és használja azokat a csavarokat, amelyek az ékeket tartalmazó zacskóban vannak.
2. Rögzítse a 2 műanyag éket a ventilátor fedelére a az ábrán látható módon.

3.3. A lábak beállítása

Ha a hűtőszekrény nincs egy kiegyensúlyozott helyzetben, állítsa be az előlső állítható lábakat jobbra vagy balra forgatva.



3.4. Elektromos összeköttetés



FIGYELEM: Ne használjon hosszabbítót vagy elosztót.



FIGYELEM: A sérült tápkábel cseréjét bízza a hivatalos szervizre.



két hűtőt kíván egymás mellett elhelyezni, kérjük, hagyjon legalább 4 cm helyet közöttük.

- A vállalatunk nem vállal semmiféle felelősséget azokért a károkért, melyek a hűtőszekrény nem a nemzeti előírásoknak megfelelő földeléssel vagy elektromos összeköttetéssel való használatából erednek.
- Ügyeljen rá, hogy a tápkábel könnyen hozzáférhető legyen a hűtő elhelyezése után.
- Csatlakoztassa a hűtőszekrényt egy földelt 220-240 Voltos, 50 Hz-es áramú hálózathoz. A dugónak rendelkeznie kell egy 10-16A-os biztosítókkal.
- Ne használjon elosztót hosszabbítóval vagy hosszabbító nélkül a fali konnektor és a hűtőszekrény között.



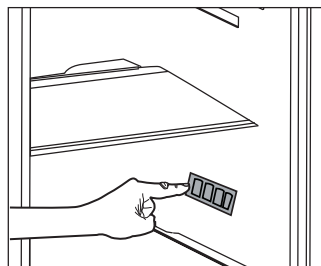
Forró felület figyelmeztetés!
A termék oldalsó falaiiba hűtőcsöveket vezettek, a hűtőrendszer teljesítményének javítása érdekében. Ezeken a területeken magas hőfokú hűtőfolyadék áramolhat, az oldalsó falak magas hőmérsékletét okozva. Ez természetes és nem igényel javítást. Óvatosan érintse ezeket a felületeket.

4.1. Teendők az energiatakarékosságot érdekelők számára



A termék csatlakoztatása elektromos energiatakarékos rendszerekhez káros és károsíthatja a terméket.

- Szabadon álló készülékek; „ezt a hűtőkészüléket nem beépített készülékként történő felhasználásra szánták”;
- Ne hagyja sokáig nyitva a hűtő ajtaját. Ne tegyen meleg ételt vagy italt a hűtőbe.
- Csak annyi ételt/italt tegyen a hűtőbe, hogy az ne akadályozza a belső levegő cirkulációt.
- A hűtőgép hűtőszekrény részében a maximális mennyiségű étel tárolása érdekében vegye ki a felső fiókot és helyezze az üvegtartóra. Az energiafogyasztást úgy határozták meg, hogy eltávolították a fagyasztó felső polcát, a jégkockatartót és a felső polcot, hogy a terméket maximálisan meg lehessen pakolni. Tárolás során az alsó polc használata kifejezetten ajánlott. A legoptimálisabb energiafogyasztás érdekében kapcsolja be az energiatakarékos funkciót.
- Ne akadályozza a levegőáramlást azáltal, hogy élelmiszert helyez a hűtőventilátor elé. Ételt behelyezésekor hagyjon legalább 3 cm szabad helyet a védőventilátor kábele előtt.
- A termék tulajdonságaitól függően a fagyasztott élelmiszer hűtőszekrényben történő felolvasztása energiát takarít meg, és megőrzi az étel minőségét.
- Az energiatakarékosság és az ételek minőségének megőrzése érdekében az ételeket a hűtőszekrény fiókjában kell tárolni. Az ételcsomagok ne érintkezzenek a hűtőszekrényben elhelyezett hőmérsékletérzékelővel. Ha érintkeznek az érzékelővel, akkor a készülék energiafogyasztása növekedhet.
- Győződjön meg róla, hogy az ételek nincsenek érintkezésben a fagyasztó alább bemutatott hőmérsékletérzékelőjével.
- Mivel a párás, meleg levegő nem jut közvetlenül a belső térbe, amikor az ajtó nincsenek nyitva, a berendezés lehetőség szerint minden körülmények között a lehető legoptimálisabb működés mellett biztosítja az



ételek védelmét. Megfelelő esetben tehát a gép funkciói és alkatrészei (pl. kompresszor, ventilátor, kiolvasztó funkció, világítás, kijelző, stb.) a lehető legkisebb energia felhasználásával működnek.

- Többféle lehetőség esetén az üvegpolicokat úgy kell elhelyezni, hogy a falon lévő légkimenetek ne legyenek eldugulva, előnyösen a légkivezetések maradjanak az üvegpolic alatt. Ez a kombináció segíthet a levegőelosztás és az energiahatékonyság csökkentésében.

4.2. Az első használat

A hűtőszekrény használata előtt győződjön meg róla, hogy elvégezte a „Biztonsági és környezetvédelmi utasítások” és az „Üzembe helyezés” bekezdés alatt felsorolt összes előkészületi műveletet.

- Működtesse a terméket étel nélkül 6 óráig és ne nyissa ki az ajtót, kivéve ha ez elengedhetetlenül fontos.



A kompresszor bekapcsolását egy hangjelzés jelzi. A hűtőrendszerben lévő folyadékok és gázok hangja akkor is hallható, ha a kompresszor nem üzemel és ez normális jelenség.



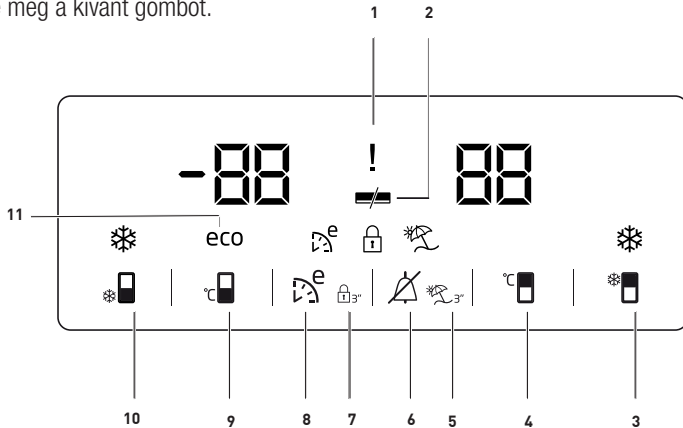
Lehetséges, hogy a hűtő elülső eleit melegnek érzi. Ez normális jelenség. Ezek a részek azért melegednek fel, hogy így elejét vegyék a páralecsapódásnak.



Néhány modell esetén a kijelző az ajtó bezárása után 5 perccel automatikusan kikapcsol. Ismét bekapcsol, ha kinyitja az ajtót vagy lenyom egy gombot.

5.1. Kijelző panel

Ennek a kijelző panelnek a segítségével beállíthatja a hőmérsékletet és vezérelheti a termék egyéb funkcióit anélkül, hogy ehhez ki kellene nyitnia a hűtőt. A funkció k beállításához egyszerűen csak érintse meg a kívánt gombot.



1. Áramszünet/ Magas hőmérséklet / Hibaállapot visszajelző

Ez a visszajelző (!) áramszünet, magas hőmérséklet és hiba esetén világít.

Ha a fagyasztórekesz hőmérséklete a fagyasztott élelmiszer szempontjából kritikusan felmelegszik, a fagyasztórekesz maximális hőmérsékletértéke villog a digitális kijelzőn.

Ellenőrizze az élelmiszert a fagyasztórekeszben.

Ez nem hiba. A figyelmeztetés bármelyik gomb vagy a magas hőmérséklet riasztás kikapcsoló gombjának megnyomásával törölhető. (A bármelyik gomb megnyomásával történő kikapcsolás nem alkalmazható minden modellen.)

Ez a visszajelző (!) világít, ha az érzékelő is meghibásodik. Ha ez a visszajelző világít, a hőmérséklet visszajelzőjén az „E”, illetve az „1, 2, 3...”- hoz hasonló ábrák jelennek meg. Ezek a kijelzőn megjelenő ábrák tájékoztatják a szerviz munkatársait a hibáról.

2. Energiatakarékos funkció (kijelző ki van kapcsolva):

Ha a hűtőszekrény ajtajai huzamosabb ideig zárva maradnak, akkor az energiatakarékos funkció automatikusan bekapcsol és az energiatakarékos szimbólum világít. (🔌)

Amikor az energiatakarékos funkció be van kapcsolva, akkor a kijelzőn az energiatakarékos szimbólumon kívül az összes többi szimbólum kikapcsol. Ha az energiatakarékos funkció be van kapcsolva és megnyom egy gombot vagy kinyitja az ajtót, akkor az energiatakarékos funkció törlésre kerül és a kijelzőn lévő szimbólumok visszaállnak a normális állapotba. Az energiatakarékos funkció a gyárból való kiszállítás során bekapcsol és nem lehet törölni.



***Opcionális:** A használati útmutatóban található képek szemléltető jellegűek, nem a valódi terméket ábrázolják. Amennyiben olyan részeket talál, melyek nem találhatók meg, az Ön által megvásárolt termékben, akkor azok más modellekre vonatkoznak.

A termék használata

3. Mélyhűtő rekesz hőmérséklet beállító gomb

Nyomja meg ezt a gombot a mélyhűtő rekesz hőmérsékletének -18, -19, -20, -21, -22, -23, -24, -18...-ra való állításához. Nyomja meg ezt a gombot a mélyhűtő rekesz hőmérsékletének a kívánt értékre való állításához. (❄️)



Akkor használja a gyorsfűtés funkciót, ha a hűtőrekeszbe helyezett ételt gyorsan szeretné lefagyasztani. Ha nagy mennyiségű friss ételt kíván fagyasztani, akkor aktiválja ezt a funkciót, mielőtt berámolná az ételeket a fagyasztoékeszbe.



Ha nem tölti, akkor a gyorsfűtés funkció 1 óra eltelte után automatikusan kikapcsol, vagy amikor a hűtőrekesz eléri a kívánt hőmérsékletet.



Ha a gyorsfagyasztás gombot egy más után többször és gyorsan megnyomja, bekapcsol az elektronikus áramköri védelem, és a kompresszor nem fog automatikusan elindulni.



Ez a funkció nem kerül visszaállításra áramkimaradás esetén.

4. Hűtőrekesz hőmérséklet beállító gomb

Nyomja meg ezt a gombot a hűtőrekesz hőmérsékletének 8, 7,6, 5,4,3, 2, 8...-ra való állításához. Nyomja meg ezt a gombot a hűtőrekesz hőmérsékletének a kívánt értékre való állításához. (🌡️)

5. Vacation Function

Ha a Szabadó funkciót aktiválni szeretné, nyomja meg a (🏖️) gombot 3 másodpercig, amivel aktiválja a Szünidő funkció kijelzőt. Ha a szünidő funkció (🌴) aktiválva van, a hűtőrekesz hőmérséklet kijelzőn megjelenik a " - " jelzés és a hűtőszekrényben nem történik aktív hűtés. Nem alkalmas étel tárolására a hűtőtérben, ha ez a funkció be van kapcsolva. A többi rekesz a beállított hőmérsékletnek megfelelően továbbra is hűtésre kerül. A funkció törléséhez nyomja meg még egyszer a Vakáció funkció gombot.

6. Vészjelzés ki figyelmeztetés:

Áramszünet/Magas hőmérséklet vészjelzés esetén, miután ellenőrizte az ételt a mélyhűtő rekeszben, a figyelmeztetés törléséhez nyomja meg a vészjelzés ki gombot (🚨).

7. Billentyűzár

Nyomja le a Billentyűzár gombot (🔒) egyidejűleg 3 másodpercig. Billentyűzár szimbólum (🔒) világít és a billentyűzár mód be van kapcsolva. Ha a Billentyűzár mód be van kapcsolva, akkor a gombok nem működnek. Nyomja le a Billentyűzár gombot egyidejűleg 3 másodpercig. A Billentyűzár szimbólum kikapcsol és kikapcsol a billentyűzár módból.

Nyomja meg a billentyűzár gombot, ha meg akarja akadályozni a hűtőszekrény hőmérséklet beállításának módosítását (🔒).

8. Eco fuzzy

Az Eco fuzzy funkció bekapcsolásához nyomja meg és tartsa lenyomva 1 másodpercig az Eco fuzzy gombot. A fagyasztó a lehető legtakarékosabb üzemmódban fog elindulni legalább 6 órával később, és az gazdaságos használat visszajelzője bekapcsol, amíg a funkció aktív (🌿). Az Eco fuzzy funkció kikapcsolásához nyomja meg és tartsa lenyomva 3 másodpercig az Eco fuzzy gombot. Ez a kijelző 6 óra eltelte után világít, amikor az Eco fuzzy funkció be van kapcsolva.

9. Gyorsfagyasztás funkció

A gomb két funkcióval rendelkezik. A gyorsfagyasztás funkció ki- és bekapcsolásához nyomja meg rövid ideig. A gyorsfagyasztás kijelző kikapcsol és a hűtőszekrény visszaállítja a normális beállításokat. (❄️)

10. Gyorsfagyasztás funkciógomb/Icematic be/ki gomb

Nyomja meg ezt a gombot a gyorsfagyasztás funkció be- vagy kikapcsolásához. Ha aktiválja a funkciót, akkor a mélyhűtő rekesz a beállítottnál alacsonyabb hőmérsékletre hűl le. (❄️)

Az Icematic be- és kikapcsolásához nyomja meg és tartsa lenyomva 3 másodpercig.

A termék használata



Használja a gyorshűtés funkciót, ha a mélyhűtő rekeszbe helyezett ételt gyorsan szeretné lefagyasztani. Ha nagy mennyiségű friss ételt kíván fagyasztani, akkor aktiválja ezt a funkciót, mielőtt berámolná az ételeket a mélyhűtő rekeszbe.



Ha nem törlí, akkor a Gyorsfagyasztó funkció 24 óra eltelte után automatikusan kikapcsol, vagy amikor a mélyhűtő rekesz eléri a kívánt hőmérsékletet.



Ez a funkció nem kerül visszaállításra áramkimaradás esetén.

11. Gazdaságos használat kijelző

Azt jelzi, hogy a hűtő energiatakarékos üzemmódban van. **(eco)**Ez a jelző akkor látható, ha a mélyhűtő rekesz hőmérséklete -18 fokra van állítva vagy az Eco-Extra funkció miatt energiahatékony hűtés van működésben.

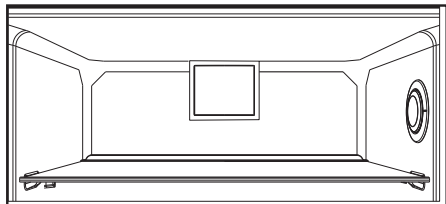


A gazdaságos üzemmód kijelző ki van kapcsolva, ha a gyorshűtés vagy a gyorsfagyasztás funkció ki van választva.

5.2. Ventilátor

A ventilátor a hűtőszekrényben a hideg levegőt keringeti egyenletesen. A ventilátor üzemi ideje a termék tulajdonságaitól függően változhat.

Néhány termék esetén a ventilátor csak kompresszorral működik, mások esetében a vezérlőrendszer állapítja meg az üzemi időt a hűtés szükségességétől függően.



5.3. Zöldségtartó

*választható

A termék zöldségtartója frissen tartja a zöldségeket a nedvesség megőrzésével. Ezért a hideg levegő keringtetése a zöldségtartóban fokozott.

5.4. Nullfokos tárolórekesz

*választható

Használja ezt a rekeszt az élelmiszerek vagy húsok alacsony hőmérsékleten való tárolására, melyek azonnali fogyasztásra kerülnek.

A nullfokos rekesz a leghidegebb olyan rekesz, melyben tejtermékek, hús, hal és csirke tárolható ideális feltételek mellett. Zöldséget/gyümölcsöt ne rakjon ebbe a rekeszbe!

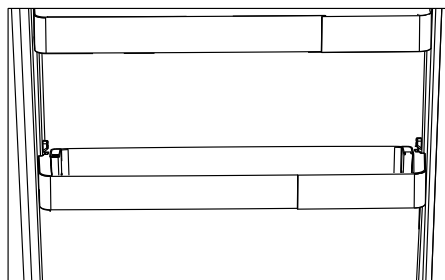
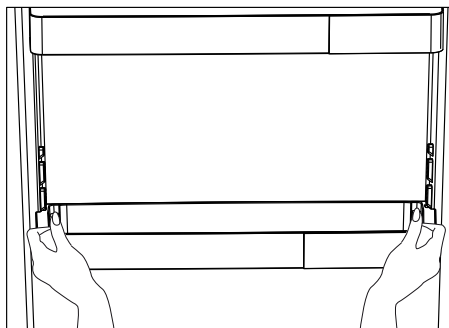
5.5. Mozgó ajtórekesz

*választható

A mozgó ajtórekesz 3 különböző pozícióban rögzíthető.

A rekesz mozgatása érdekében nyomja meg az oldalsó gombokat. A rekeszt ekkor el lehet távolítani. Tegye feljebb vagy lejjebb a rekeszt.

Amikor a rekesz eléri a kívány magasságot, akkor engedje fel a gombokat. A rekesz ismét rögzül abban a helyzetben, melyben felengedte a gombokat.



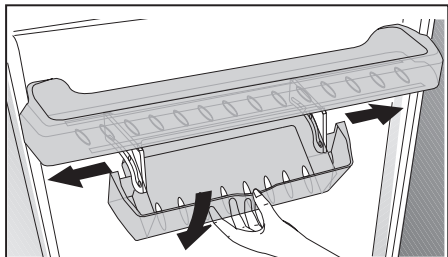
A termék használata

5.6. Csúszó tárolódoboz

*választható

Ez a kiegészítő növeli az ajtórekesz használati térfogatát.

Mivel oldalra is mozog, ezért könnyen tárolhat benne hosszú üvegeket vagy dobozokat, melyeket az alsó üvegtartóra helyez.



5.7. HerbBox/HerbFresh

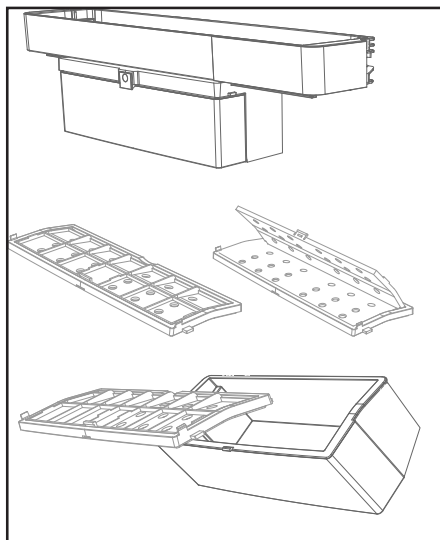
Vegye ki a filmes tárolóedényt a HerbBox/HerbFresh+ -ből

Vegye ki a filmet a zacskóból és tegye be a filmes tárolóedénybe, ahogy a képen látható.

Zárja vissza a tárolóedényt és helyezze vissza a HerbBox/HerbFresh+ -ba

A HerbBox/HerbFresh+ részleg speciálisan alkalmas különféle fűszerek tárolására, és kitűnő állapotban tartására. A nem becsomagolt fűszernövényeit (petrezselyem, kapor stb.) vízszintesen tárolhatja és sokkal tovább megtarthatja frissességüket.

A filmet hat havonta cserélni kell.



A termék használata

5.8. Ellenőrzött páratartalmú zöldségtartó

*választható

A páratartalom ellenőrzés funkcióval a zöldségek és gyümölcsök nedvességtartalma ellenőrizhető és így az ételek sokáig frissek maradnak.

A nedvességtartalom veszteségek kitétt zöldlevelű zöldségeket, pl. salátát, spenótot, stb. ne függőlegesen, hanem vízintesen tároljon a zöldségtartóban.

A zöldségek beráolásakor a nehéz és kemény zöldségeket alulra, a könnyű és puha zöldségeket pedig felülre helyezze a zöldséget adott súlyát figyelembe véve.

A zöldségtartóban ne tárolja a zöldségeket műanyag zacskóban. Ha műanyag zacskókban hagyja a zöldségeket, akkor hamar elrohadnak. Amennyiben kerülni kell a zöldségek egymással való érintkezését, akkor használjon papírt, mely higiéniai szempontból megfelelő porozitással rendelkezik.

A többi zöldséggel és gyümölccsel együtt ne helyezzen a zöldségtartóba olyan gyümölcsöt, mely sok etilengázt termel, pl. körte, sárgabarack, őszibarack és alma.

A gyümölcsök által kibocsátott etilengáz felgyorsítja a többi zöldség és gyümölcs érési folyamatát és ezért hamarabb elrohadnak.

5.9. Automatikus jégkockakészítő

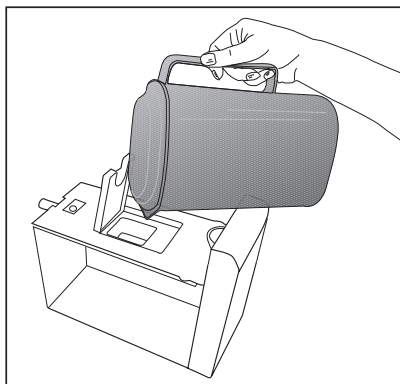
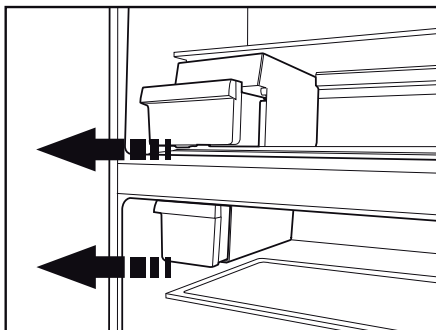
*választható

Az automatikus jégkockakészítő segítségével könnyen készíthet jeget a hűtőszekrényben. Annak érdekében, hogy a jégkészítő jeget készítsen, vegye ki a víztartályt a hűtőrekeszből, töltsse fel vízzel és helyezze vissza.

Az első jég kb. 2 óra eltelte után lesz kész. A teli víztartály behelyezése után kb. 60-70 jégkocka készíthető. Ha a tartályban lévő víz 2-3 hétnél régebbi, akkor cserélje ki.



Automatikus jégkockakészítővel rendelkező hűtőszekrény esetén a jég kiöntésekor zajt hallhat. Ez normális jelenség.



A termék használata

5.10. Icematic és jégdoboz

*választható

Az Icematic használata

Töltse fel az Icematic-ot vízzel és tegye vissza a helyére. A jég kb. 2 óra alatt lesz kész. A jég kivételéhez ne vegye ki az Icematic-ot a helyéről.

Fordítsa el a jégtartályon lévő gombokat 90 fokkal az óramutató járásával megegyező irányba.

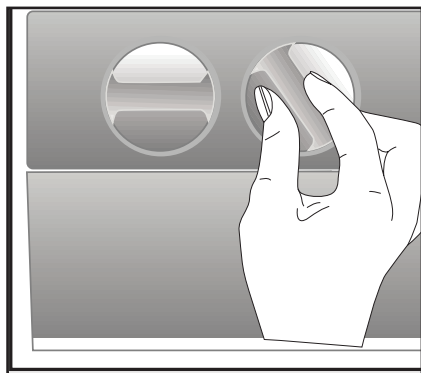
A tartályban lévő jégkockák beleesnek az alatta lévő jégkockatároló rekeszbe. Kiveheti a jégkockatároló rekeszt és felszolgálhatja a jégkockákat.

A jégkockákat a jégkockatároló rekeszben is hagyhatja.

Jégkockatároló rekesz

A jégkockatároló rekesz csak jégkockák tárolására alkalmas. Ne öntsön bele vizet.

Eltérő esetben eltörik.



5.11. A vízadagoló használata

* választható



Az teljesen szokványos, hogy a vízadagolóból kifolyó néhány első pohár víz általában meleg.

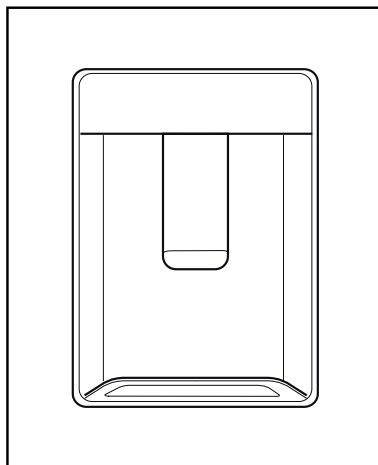


Ha a vízadagolót hosszabb ideig nem használták, hogy tiszta vizet kapjon, a néhány első pohárnyi vizet öntse ki.

1. Nyomja a poharát a vízadagoló adagoló karjához. Ha puha műanyag poharat használ, egyszerűbb lesz, ha az adagoló kart a kezével nyomja meg.
2. Ha a pohár megtelik a kívánt szintig, engedje el az adagoló kart.



Figyeljen arra, hogy az adagolóból annyi víz folyik ki, amilyen mélyre benyomja az adagoló kart. Ha a víz szintje a csészéjében / poharában megemelkedik, óvatosan csökkentse a nyomást az adagoló karra, hogy megakadályozza a túlfolyást. Ha az adagoló kart óvatosan megnyomja, a víz csepegni fog, ez teljesen normális, nem hiba.



A termék használata

5.12.A víztartály feltöltése

A víztartály az ajtó belsejében található.

1. Nyissa ki a tartály tetejét.
2. Töltsé fel a tartályt friss ivóvízzel.
3. Zárja vissza a fedelet.



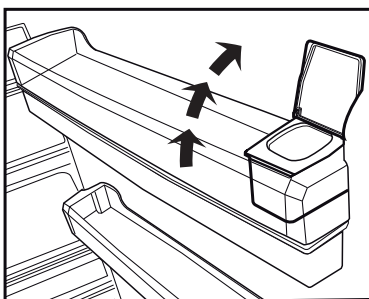
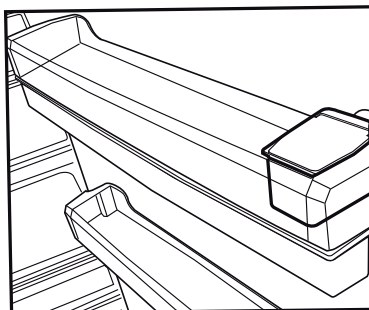
A tartályba vizen kívül ne töltsön egyéb folyadékot, pl. gyümölcslé, szénsavas italokat vagy szeszes italokat, mert ezek nem alkalmasak erre. A vízadagoló helyrehozhatatlanul károsul, ha ilyen folyadékokat használ. A garancia erre nem érvényes. Az ezekben az italokban/ folyadékokban lévő vegyi anyagok és adalékok károsíthatják a víztartályt.



Csak tiszta ivóvizet használjon.



A víztartály kapacitása 3 liter, ne töltsé túl.



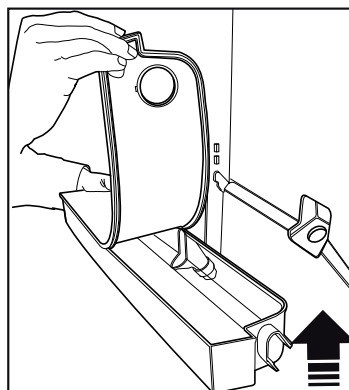
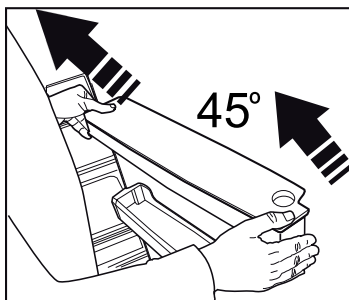
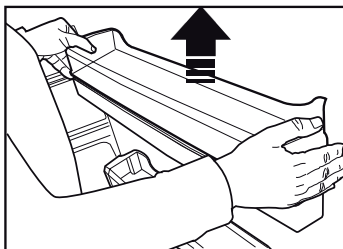
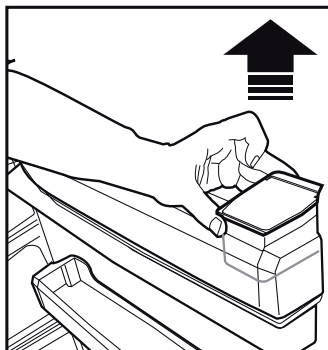
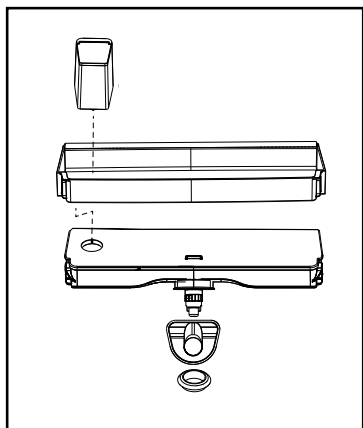
A termék használata

5.13. A víztartály tisztítása

1. Vegye ki az ajtórekeszben lévő víztartályt.
2. Vegye le az ajtórekeszt mindkét oldalánál fogva.
3. Markolja meg a víztartályt mindkét oldalon és 45°-os szögben vegye ki.
4. Vegye le a víztartály fedelét és tisztítsa meg a tartályt.



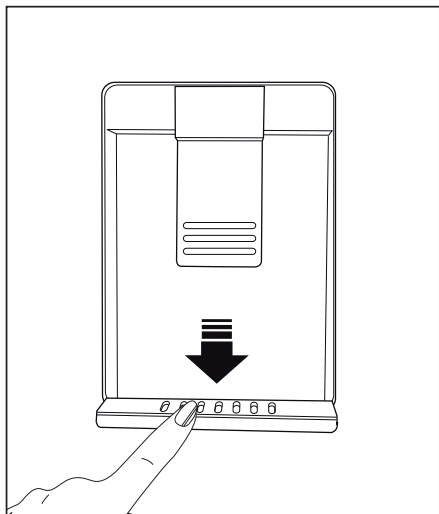
A víztartály alkatrészeit és a vízadagolót ne mossa mosogatógépben.



5.14. Csepegtetőtálca

A vízadagoló használata során kicsepegtő víz a cseppgyűjtő tálcába kerül. Vegye le a műanyag szűrőt az ábrán látható módon.

Egy tiszta és száraz ruhával távolítsa el a felhalmozódott vizet.



A termék használata

5.15. Friss étel lefagyasztása

- A élelmiszert a lehető leggyorsabban kell lefagyasztani miután a hűtőbe helyezte, hogy megtartsa jó minőségét. Ezért használja a gyorsfagyasztót.
- A friss ételek fagyasztása növeli a tárolási időt a fagyasztórekeszben.
- Az élelmiszert légmentesen záró csomagolásba kell helyezni.
- Győződjön meg róla, hogy az élelmiszer be van csomagolva, mielőtt a fagyasztórekeszbe helyezné azt. A hagyományos csomagolóanyagok helyett használjon fagyasztásra alkalmas csomagolóanyagokban, műanyag tasakokban vagy hasonló csomagolóanyagokban tárolja.
- Fagyasztás előtt jelölje meg minden csomagon a dátumot. Ez lehetővé teszi minden csomag frissességének a megállapítását, amikor kinyitja a fagyasztórekeszt. Először a régebbi ételeket használja fel.
- A lefagyasztott élelmiszert felengedésük után azonnal használja fel, és soha ne fagyassza újra.
- Ne fagyasszon le egyszerre túl nagy mennyiségű élelmiszert.

5.16. Típek a fagyasztott ételek tárolásához

A rekeszt legalább -18°C -ra kell állítani.

1. Az ételt a lehető leggyorsabban helyezze a fagyasztóba, hogy ne engedjen fel.
2. Fagyasztás előtt ellenőrizze a lejárat dátumot, hogy biztos legyen benne, hogy a termék nem járt le.
3. Győződjön meg róla, hogy a csomagolás nem sérült.

5.17. Tudnivalók a mélyfagyasztásról

Az IEC 62552 szabvány megköveteli (bizonyos mérési körülmények szerint), hogy ahűtő legalább 4,5 kg élelmiszert 32°C -os környezeti hőmérsékleten -18°C -ra vagy kevesebbre hűti 24 órán belül a hűtő teljes, 100 literes térfogatával. Élelmiszert csak -18°C -on vagy alacsonyabb hőmérsékleten lehet hosszú ideig eltárolni. Az élelmiszer frissességét több hónapig megtarthatja (-18°C -on vagy alacsonyabb hőmérsékleten mélyfagyasztásban).

A fagyasztandó élelmiszer ne kerüljön kapcsolatba korábban lefagyasztott dolgokkal, hogy megakadályozza azok részleges kiolvadását.

Fagyasztó-rekesz beállítása	Hűtőrekesz beállítása	Leírás
-18°C	4°C	Ez az alapértelmezett, javasolt beállítás.
$-20, -22$ vagy -24°C	4°C	Ez a javasolt beállítás 30°C -ot meghaladó környezeti hőmérséklet esetén.
Gyorsfagyasztás	4°C	Használja ezt az ételek gyors lefagyasztásához. A hűtőszekrény visszaáll az előző beállításra, amikor a folyamat befejeződött.
-18°C vagy alacsonyabb	2°C	Használja ezt a beállítást, ha úgy gondolja, hogy a hűtőrekesz nem elég hideg a környezeti hőmérséklet vagy az ajtó gyakori kinyitása miatt. Hűtőszekrény / Használati utasítás

A termék használata

A zöldségeket forralja fel és szűrje le a vizet a fagyasztási idő meghosszabbítása érdekében. Az élelmiszert a szűrés után légmentesen záró csomagolásba kell helyezni és a fagyasztóba tenni. Banánt, paradicsomot, salátát, zellert, főtt tojást, burgonyát és hasonló élelmiszereket ne fagyasszon le. Ezen ételek lefagyasztása csökkenti a tápértéket és a minőséget és káros lehet az egészségre.

5.18. Az élelmiszer elhelyezése

Fagyasztó-rekesz polcai	Különböző fagyott élelmiszer, például hús, hal, jégkrém, zöldségek, stb.
Hűtőrekesz polcai	Serpenyőben, lefedett tányéron és zárt tartókban lévő élelmiszer, tojás (lefedett serpenyőben)
Hűtőrekesz ajtópolcai	Kis és csomagolt élelmiszer és italok
Zöldségtartó	Zöldségek és gyümölcsök
Friss étel tartórekesz	Delikát termékek (reggelihez való termékek, húsok, melyek hamar felhasználásra kerülnek)

5.19. Nyitott ajtó riasztás

(opcionális)

Ha a hűtőszekrény ajtaja legalább 1 percig nyitva marad, egy hangjelzés hallható. A riasztás elnémitásához egyszerűen csak nyomjon meg egy gombot a kijelzőn (ha van), vagy csukja be az ajtót.

5.20. Belső világítás

A belső világítás egy LED lámpát alkalmaz. Ha bármilyen probléma áll fenn a lámpával, lépjen kapcsolatba a hivatalos szolgáltatóval. A készülékben lévő lámpa/lámpák háztartásban lévő helyiségek megvilágítására nem alkalmas/alkalmasak. A lámpa rendeltetése, hogy segítse a felhasználót az élelmiszerek hűtőszekrénybe/fagyasztószekrénybe való gyors és biztonságos behelyezésében.

5.21. Az ajtó nyitási irányának módosítása

A hűtőszekrény ajtajának nyitási iránya a rendelkezésre álló hely függvényében módosítható. Amennyiben szükséges, kérjük, forduljon a legközelebbi hivatalos szervizhez.

5.22. Kék fény/HarvestFresh

***Nem minden modellben érhető el**

Kék fény

A Zöldségtároló rekeszben tárolt, kék lámpával megvilágított gyümölcsök és zöldségek a kék fény hullámhossz hatása révén folytatják a fotoszintézist és így megőrzik vitamin-tartalmukat.

HarvestFresh,

A Zöldségtároló rekeszben tárolt, a HarvestFresh technológiával megvilágított gyümölcsök és zöldségek hosszabb ideig megőrzik vitaminjait a kék, zöld, piros fény és sötét ciklusoknak köszönhetően, amelyek a napi ciklust szimulálják. Ha a hűtőszekrény ajtaját a HarvestFresh technológia periódusában nyitja ki, akkor a hűtőszekrény automatikusan észleli ezt, és lehetővé teszi, hogy a kék-zöld vagy a piros fény világítsa meg a Zöldségtároló rekeszt az Ön kényelme érdekében. Miután becsukta a hűtőszekrény ajtaját, a sötét periódus folytatódik, amely az éjszakai időt jelenti egy napi ciklusban.

5.23. A tejtermék (hűtő tároló) rekesz

Alacsonyabb hőmérsékletet biztosít a hűtőtérben. Használja ezt a rekeszt olyan csemegék (szalámi, kolbász, tejtermékek stb.) tárolására, amelyek alacsonyabb tárolási hőmérsékletet igényelnek, vagy azonnali fogyasztásra szánt hús-, csirke- vagy haltermékek tárolására. Ne tároljon gyümölcsöt és zöldséget ebben a rekeszben.

6 Tisztítás és karbantartás

A termék rendszeres tisztítása növeli az élettartamát.



VIGYÁZAT: Tisztítás előtt húzza ki a hűtőszekrényt.

- Soha ne használjon éles, csiszoló anyagot, szappant, háztartási tisztítót, tisztítószert, gázt, benzint vagy viaszpolitúrt a tisztításhoz.
- A nem No Frost felszereltségű termékek esetében vízcseppek és ujjnyi vastagságú jég képződhet a hűtőtér hátsó falán. Ne tisztítsa le. Soha ne kenjen rá olajat vagy hasonló szereket.
- Kizárólag enyhén nedves mikroszálás ruhát használjon a termék külső felületének tisztítására. A szivacsok és más típusú tisztító ruhák megkarcolhatják a felületet.
- Oldjon fel egy teáskanál szódadibikarbónát vízben. Mártson bele egy ruhát és csavarja ki. Törölje át a hűtőszekrényt a ruhával, majd törölje szárazra.
- Ügyeljen rá, hogy ne kerüljön víz a lámpabúra alá ill. ne kerüljön kapcsolatba más elektromos résszel.
- A hűtőajtót tisztítsa meg egy nedves ruhával. Távolítsa el minden élelmiszert az ajtópolcok és polcok kivételéhez. A kivételhez emelje fel az ajtópolcokat. Tisztítsa meg és szárítsa meg a polcokat, majd csúsztassa őket a helyükre.
- A termék külső felületeinek és a krómbevonatos részek tisztításához soha ne használjon tisztítószereket vagy klórt tartalmazó vizet. A klór korróziót okoz az ilyen fémfelületeken.

- Ne használjon éles vagy csiszoló hatású eszközöket, szappant, háztartási tisztítószereket, mosószereket, benzint, viaszt stb., mert a műanyag részekről lekopnak a nyomtatott minták és deformációt okoznak. Tisztítsa meg meleg vízzel és egy puha ruhával, majd törölje szárazra.

6.1. A kellemetlen szagok elkerülése

A termék nem tartalmaz kellemetlen szagú anyagot. Ugyanakkor, ha az ételeket nem tárolja a megfelelő rekeszben vagy a belső felületek tisztítása nem megfelelő, akkor ez kellemetlen szagokat okozhat.

Ennek elkerülése érdekében kéthetente tisztítsa meg a belső felületeket szódadibikarbónátos vízzel.

- Az ételeket jól lezárt edényekben tárolja. A nem jól lezárt ételekből származó mikroorganizmusok kellemetlen szagokat okozhatnak.
- A hűtőszekrényben ne tároljon lejárt vagy romlott éteket.

6.2. A műanyag felületek védelme

Amennyiben olaj kerül a műanyag felületekre, öblítse le és tisztítsa meg az adott részt langyos vízzel.

7 A problémák javasolt megoldása

Kérjük, mielőtt kihívná a szervizt, oldassa át a következő listát. Ezzel időt és pénzt takaríthat meg. Ez a lista azon gyakran előforduló panaszokat tartalmazza, melyek nem a hibás gyártásból vagy anyagokból erednek. Az itt ismertetett tulajdonságok közül nem mindegyik található meg az Ön készülékén.

A hűtőszekrény nem működik

- A hűtőszekrény megfelelően be van dugva? >>> *Dugja be a dugót a fali aljzatba.*
- Nem olvadt le a főbiztosíték vagy annak a konnektornak a biztosítéka, melyhez a hűtőszekrényt csatlakoztatta? >>> *Ellenőrizze a biztosítékot.*

Lecsapódás található a fagyasztó oldalfalán (MULTIZONE, COOL, CONTROL és FLEXIZONE).

- Nagyon hideg környezeti körülmények. >>> *A hűtőszekrényt ne telepítse -5°C alatti helyre.*
- z ajtó gyakori kinyitása és becsukása >>> *Ne nyissa ki az ajtót túl gyakran.*
- Magas páratartalmú környezet. >>> *A hűtőszekrényt ne telepítse magas páratartalmú helyre.*
- Olyan nyitott edényben lévő élelmiszer tárolása, mely folyadékot tartalmaz. >>> *A nyitott edényben tárolt élelmiszert fedje le egy megfelelő anyaggal.*
- Nyitva hagyta az ajtót. >>> *Csökkentse az időt, amíg az ajtó nyitva van.*
- A termosztát túl alacsony hőmérsékletre van állítva. >>> *Állítsa a termosztátot a megfelelő hőmérsékletre.*

A kompresszor nem működik.

- A kompresszor biztosítéka hirtelen áramkimaradások esetén kiolvadt, illetve a folyamatos árammegszakítások után a hűtőszekrény hűtő rendszere még nem került egyensúlyba. A hűtőszekrény kb. 6 perc után fog bekapcsolni. Kérjük, hívja ki a szervizt, ha a 6 perc után nem indul be a hűtőszekrény.
- A hűtőszekrény olvasztási ciklusban van. >>> *Ez egy teljesen automatikusan olvasztó hűtőszekrény esetében természetes. Az olvasztási ciklus megadott időközönként megy végbe.*
- A hűtőszekrény nincs bedugva. >>> *Győződjön meg róla, hogy a dugó megfelelően van-e csatlakoztatva a fali aljzathoz.*
- efgfelelőek a hőmérséklet beállítások? >>> *Válassza ki a megfelelő hőmérsékletbeállítást.*
- Áramszünet van. >>> *Az áramszünet után a termék megfelelően fog működni.*

A működés zaja a hűtő működése közben egyre hangosabb.

- A hűtőszekrény működési teljesítménye a környezeti hőmérséklet változásának függvényében változik. Ez teljesen normális, nem utal hibára.

A problémák javasolt megoldása

A hűtőszekrény gyakran vagy hosszú ideig működik.

- Az új hűtőszekrénye lehet, hogy nagyobb, mint az előző. A nagyobb hűtőszekrények hosszabb ideig működnek.
- Lehet, hogy túl magas a szobahőmérséklet. >>> *Magasabb szobahőmérséklet esetén a hűtőszekrény tovább működik.*
- Előfordulhat, hogy a hűtőszekrény nem régen lett bedugva, vagy tele lett pakolva élelmiszerrel. >>> *A hűtőszekrény lehűtése ezekben az esetekben néhány órával tovább tarthat. Ez teljesen normális.*
- Nemrégiben nagy mennyiségű forró ételt helyezett a hűtőszekrénybe. >>> *Ne helyezzen forró ételt a hűtőszekrénybe.*
- Lehet, hogy az ajtók gyakran vagy hosszú ideig voltak kinyitva. >>> *Meleg levegő jutott a hűtőszekrénybe, melynek hatására a hűtőszekrény hosszabb ideig üzemel. Kevesebb alkalommal nyissa ki az ajtókat.*
- A fagyasztó vagy a hűtő rész ajtaja lehet, hogy nyitva maradt. >>> *Ellenőrizze, hogy az ajtók megfelelően be vannak-e csukva.*
- A hűtőszekrény nagyon alacsony hőmérsékletre lett állítva. >>> *Állítsa a hűtőszekrény hőmérsékletét magasabbra, és várja meg, míg eléri ezt a hőmérsékletet.*
- A hűtő ajtajának szigetelése elképzelhető, hogy koszos, kopott, törött vagy nem megfelelően van behelyezve. >>> *Tisztítsa meg, vagy cserélje ki a szigetelést. A sérült/törött szigetelés hatására a tovább ideig működik annak érdekében, hogy fenn tudja tartani az aktuális hőmérsékletet.*

A fagyasztó hőmérséklete túl alacsony, miközben a hűtő hőmérséklete megfelelő.

- A fagyasztó nagyon alacsony hőmérsékletre lett állítva. >>> *Állítsa a fagyasztó hőmérsékletét magasabbra, és ellenőrizze.*

A hűtő hőmérséklete túl alacsony, miközben a fagyasztó hőmérséklete megfelelő.

- A hűtő nagyon alacsony hőmérsékletre lett állítva. >>> *Állítsa a hűtő hőmérsékletét magasabbra, és ellenőrizze.*

A hűtő fiókjában tartott élelmiszerek magfagynak.

- A hűtő nagyon alacsony hőmérsékletre lett állítva. >>> *Állítsa a fagyasztó hőmérsékletét magasabbra, és ellenőrizze.*

A hűtő vagy a fagyasztó hőmérséklete nagyon magas.

- A hűtő nagyon magas hőmérsékletre lett állítva. >>> *A hűtő hőmérséklete hatással van a fagyasztó hőmérsékletére. Módosítsa úgy a hűtő és a fagyasztó hőmérsékletét, hogy ezek elérjék a kívánt szintet.*
- Lehet, hogy az ajtók gyakran vagy hosszú ideig voltak kinyitva. >>> *Kevesebb alkalommal nyissa ki az ajtókat.*
- Lehet, hogy az ajtó nyitva maradt. >>> *Csukja be rendesen az ajtót.*
- Előfordulhat, hogy a hűtőszekrény nem régen lett bedugva, vagy tele lett pakolva élelmiszerrel. >>> *Ez teljesen normális. A hűtőszekrény lehűtése ezekben az esetekben néhány órával tovább tarthat.*
- Nemrégiben nagy mennyiségű forró ételt helyezett a hűtőszekrénybe. >>> *Ne helyezzen forró ételt a hűtőszekrénybe.*

Rezgés vagy zaj.

- A padló nem egyenes vagy gyenge. >>> *A hűtő a lassú mozgás miatt ad ki hangot. Győződjön meg róla, hogy a padló egyenes-e, illetve elég erős-e ahhoz, hogy elbírja a hűtőszekrényt.*
- A zajt a hűtőszekrény tetejére helyezett tárgyak is okozhatják. >>> *Az ilyen tárgyakat el kell távolítani a hűtőszekrény tetejétől.*

Csöpögéshez vagy fúváshoz hasonló hangot hallani.

- A hűtőszekrény működésének megfelelő folyadék vagy gázáramlás történik. >>> *Ez teljesen normális, nem utal hibára.*

A problémák javasolt megoldása

Szélfúváshoz hasonló hangot hallani.

- A hűtés hatékonyságának érdekében a hűtőszekrény ventilátorokat is működtet. Ez teljesen normális, nem utal hibára.

Kondenzáció a hűtőszekrény belső falain.

- A meleg vagy párás levegő növeli a jégképződést és a kondenzációt. Ez teljesen normális, nem utal hibára.
- Lehet, hogy az ajtók gyakran vagy hosszú ideig voltak kinyitva. >>> *Kevesebb alkalommal nyissa ki az ajtókat. Ha nyitva van, zárja be az ajtót.*
- Lehet, hogy az ajtó nyitva maradt. >>> *Csukja be rendszeren az ajtót.*

Pára jelenik meg a hűtőszekrény külső részén vagy az ajtók közt.

- Lehet, hogy párás az idő. A párás idő teljesen normális. >>> *Ha a páratartalom kevesebb lesz, a kondenzáció eltűnik.*

Kellemetlen szag érezhető a hűtőben.

- A hűtőszekrény belső tisztításra szorul. >>> *Egy szivacs, meleg víz vagy szóda segítségével tisztítsa meg a hűtőszekrény belső részét.*
- A szagot lehet, hogy néhány edény vagy csomagolóanyag okozza. >>> *Használjon másik edényt, vagy más gyártótól származó csomagolóanyagot.*
- Az ételek nyitott edényben vannak. >>> *Az ételeket jól lezárt edényekben tárolja. A nem jól lezárt ételekből származó mikroorganizmusok kellemetlen szagokat okozhatnak.*
- Vegye ki a lejárt vagy romlott ételeket a hűtőszekrényből.

Az ajtó nem zárul be.

- Az élelmiszerek csomagolásai megakadályozhatják az ajtó becsukását. >>> *Távolítsa el azokat a csomagokat, melyek akadályozzák az ajtót.*
- A hűtőszekrény valószínűleg nem teljesen áll függőlegesen a padlón. >>> *Állítsa be a szintbeállító csavarokat.*
- A padló nem egyenes vagy gyenge. >>> *Győződjön meg róla, hogy a padló egyenes-e, illetve elég erős-e ahhoz, hogy elbírja a hűtőszekrényt.*

A zöldségtartó beragadt.

- Az élelmiszer lehet, hogy hozzáér a fiók tetejéhez. >>> *Rendezze át az élelmiszereket a fiókban.*

Ha A Termék Felülete Forró.

- A termék működése közben magas hőmérséklet figyelhető meg a két ajtó között, az oldalsó paneleken és a hátsó grillnél. Ez nem rendellenes jelenség és nem igényel szervizi karbantartást! Legyen óvatos, amikor megérinti ezeket a területeket.



VIGYÁZAT: Ha a hiba ezen utasítások elvégzése után továbbra is jelentkezik, forduljon a helyi forgalmazóhoz vagy szervizközponthoz. Ne próbálja megjavítani a terméket.

NYILATKOZAT / FIGYELMEZTETÉS

Néhány (egyszerű) hibát a végfelhasználó is elháríthat anélkül, hogy bármilyen biztonsági kérdés vagy nem biztonságos használat merülne fel, feltéve, hogy azokat az itt meghatározott utasításoknak megfelelően hajtja végre (lásd: „Önállóan elvégezhető javítások” c. részt).

Hacsak az „Önállóan elvégezhető javítások” c. részben másképpen meghatározásra nem került, a javításokat regisztrált szakszervezeteknek kell elvégezni a biztonsági problémák elkerülése érdekében. Regisztrált szakszerviznek számít az a szerviz, akinek a gyártó a 2009/125/EK irányelv mentén megalkotott törvényi rendelkezések alapján hozzáférést biztosít a különböző utasításokhoz és pótalkatrészlistákhoz.

A garanciális feltételeknek megfelelően azonban csak az a szervizszolgáltató (pl.: hivatalos szakszerviz) nyújthat szolgáltatást, aki a felhasználói kézikönyvben/jótállási jegyen feltüntetett telefonszámon, vagy a hivatalos márkakereskedőn keresztül elérhető. Ezért kérjük, vegye figyelembe, hogy egyéb szervizek (akiket a Beko nem hagyott jóvá) által elvégzett javítások miatt a garancia érvényét veszti.

Önállóan elvégezhető javítások

A felhasználó a következő alkatrészek javítását végezheti el saját maga: ajtónyitó fogantyúk, ajtózsanérok, tálcák, kosarak és ajtótomítések (a frissített lista a support.beko.com oldalon érhető el
2021. március 1-től).

Ezen felül, a termék biztonságának biztosítása és a súlyos sérülések elkerülése érdekében az említett önállóan elvégezhető javításokat a felhasználói útmutató vonatkozó részében feltüntetettek szerint kell elvégezni, amely elérhető a(z): support.beko.com-ben/-ban. A saját biztonsága érdekében az önállóan elvégezhető javítások előtt válassza le a terméket az elektromos hálózatról.

A végfelhasználók által az ilyen listán nem szereplő alkatrészek javítása és javítási kísérlete és/vagy a(z) support.beko.com-ben/-ban elérhető használati útmutatókban szereplő utasítások be nem tartása miatt, biztonsági kérdések merülnek fel, amelyek nem róhatók fel a Beko-nak/-nek, és a termék garanciája megszűnik.

Ezért javasolt, hogy a végfelhasználók ne kíséreljék meg az említett alkatrészlistán kívül eső alkatrészek javítását, ilyen esetekben vegyék fel a kapcsolatot a szakszervezetekkel vagy a regisztrált szakemberekkel. A végfelhasználók által végrehajtott ilyen kísérletek biztonsági problémákat okozhatnak, a termék károsodhat, amely tűzhoz, csőtöréshez, áramütéshez és egyéb súlyos személyi sérüléshez vezethet.

A nem kizárólagos listán példaként felsorolt alkatrészek javítását hivatalos márkaszervizzel vagy regisztrált szakemberrel kell elvégeztetni: kompresszor, hűtőkör, fő panel, inverterpanel, kijelzőpanel, stb.

A gyártó/eladó nem vonható felelősségre, ha a végfelhasználó nem tartja be a fent leírtakat.

A megvásárolt hűtőbereni alkatrészeinek rendelkezésre állása 10 év.

Ezen idő alatt, a hűtőbereni megfelelő üzemelése érdekében, biztosítjuk az eredeti cserealkatrészeket.

A megvásárolt hűtőberendezésre vonatkozó minimum garancia 24 hónap.

beko

Ψυγείο

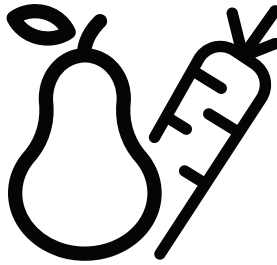
Εγχειρίδιο Χρήστη

Frigorifero

Manuale utente

Ладилник

Упатство за корисникот



RCNE560E40ZXBN - RCNE560E40DZXBN

CE

EL / IT / MK

58 5366 0000/AC

7/8

- Αγαπητέ Πελάτη,
- Θα θέλαμε να έχετε τη μέγιστη απόδοση από το προϊόν μας, το οποίο κατασκευάστηκε σε μοντέρνες εγκαταστάσεις με σχολαστικούς ελέγχους ποιότητας.
- Για το σκοπό αυτό, διαβάστε πλήρως τις οδηγίες χρήσης πριν χρησιμοποιήσετε το προϊόν και φυλάξτε τις ως πηγή αναφοράς. Αν παραδώσετε το προϊόν σε άλλο άτομο, παραδώστε μαζί και αυτές τις οδηγίες.

Οι οδηγίες χρήσης διασφαλίζουν τη γρήγορη και ασφαλή χρήση του προϊόντος.

- Διαβάστε τις οδηγίες χρήσης πριν την εγκατάσταση και τη λειτουργία του προϊόντος.
- Πάντα να τηρείτε τις εφαρμόσιμες οδηγίες ασφαλείας.
- Να διατηρείτε τις οδηγίες χρήσης σε σημείο με εύκολη πρόσβαση, για μελλοντική χρήση.
- Παρακαλούμε να διαβάσετε και οποιαδήποτε άλλη τεκμηρίωση συνοδεύει το προϊόν.
- Να έχετε υπόψη σας ότι αυτές οι οδηγίες χρήσης μπορεί να έχουν εφαρμογή σε περισσότερα από ένα μοντέλα του προϊόντος. Ο οδηγός υποδεικνύει με σαφήνεια τυχόν παραλλαγές των διάφορων μοντέλων.

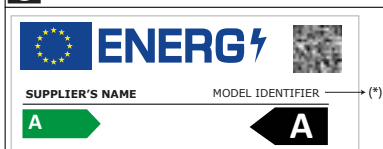
Σύμβολα και παρατηρήσεις

- Στις οδηγίες χρήσης χρησιμοποιούνται τα ακόλουθα σύμβολα:

	Σημαντικές πληροφορίες και χρήσιμες συμβουλές.
	Κίνδυνος για τη ζωή και την περιουσία.
	Κίνδυνος ηλεκτροπληξίας.
	Η συσκευασία του προϊόντος είναι κατασκευασμένη από ανακυκλώσιμα υλικά σύμφωνα με την Εθνική νομοθεσία προστασίας του περιβάλλοντος.



ΠΛΗΡΟΦΟΡΙΕΣ



Η πρόσβαση στις πληροφορίες για το μοντέλο όπως είναι αποθηκευμένες στη βάση δεδομένων για τα προϊόντα είναι εφικτή με την είσοδο στον παρακάτω ιστότοπο και την αναζήτηση για το αναγνωριστικό του μοντέλου (*) της συσκευής σας που αναφέρεται στην ετικέτα ενεργειακής σήμανσης.

<https://eprel.ec.europa.eu/>

Πίνακας περιεχομένων

1 Οδηγίες για την ασφάλεια και το περιβάλλον	4	5.13.Χρήση του διανομέα νερού21	
1.1.Γενική ασφάλεια4		5.14.Χρήση του διανομέα νερού22	
1.1.1 Προειδοποίηση HC6		5.15.Γέμισμα του δοχείου του διανομέα νερού.22	
1.1.2 Για μοντέλα με διανομέα νερού. . .6		5.16. Καθαρισμός του δοχείου νερού 23	
1.2.Προβλεπόμενη χρήση6		5.18.Κατάψυξη νωπών τροφίμων . . .24	
1.3.Ασφάλεια των παιδιών.6		5.17.Δίσκος συλλογής σταγόνων. . . .24	
1.4. Συμμόρφωση με την Οδηγία περί ΑΗΕΕ και απόρριψη του προϊόντος στο τέλος της ωφέλιμης ζωής του. .7		5.19.Υποδείξεις για τη φύλαξη κατεψυγμένων τροφίμων25	
1.5.Συμμόρφωση με την Οδηγία RoHS 7		5.20.Λεπτομέρειες για τη βαθιά κατάψυξη25	
1.6.Πληροφορίες για τη συσκευασία . .7		5.21.Τοποθέτηση των τροφίμων25	
3 Εγκατάσταση	9	5.22.Ειδοποίηση ανοικτής πόρτας (προαιρ.)25	
3.1.Σωστή θέση εγκατάστασης9		5.23.Εσωτερικό φως25	
3.2.Τοποθέτηση των πλαστικών αποστατών9		5.24.Μπλε φως/HarvestFresh26	
3.3.Ρύθμιση των ποδιών10		5.25.Το διαμέρισμα γαλακτοκομικών (έντονης ψύξης)"26	
3.4.Σύνδεση ρεύματος.10		6 Συντήρηση και καθαρισμός	27
4 Προετοιμασία	11	6.1.Αποτροπή δυσάρεστων οσμών. . .27	
4.1.Τι να κάνετε για εξοικονόμηση ενέργειας.11		6.2.Προστασία των πλαστικών επιφανειών27	
4 Προετοιμασία	12	6.3.Τζάμια πόρτας28	
4.2.Πρώτη χρήση.12		7 Επίλυση προβλημάτων	29
5.1.Πίνακας ενδείξεων13			
5.2.Παγοθήκη.17			
5.3.Παγοθήκη.18			
5.4.Αυγοθήκη.18			
5.5.Τμήματα μυρωδικών - HerbBox/ HerbFresh.18			
5.6.Ανεμιστήρας.19			
5.7. Συρτάρι λαχανικών19			
5.8.Διαμέρισμα έντονης ψύξης19			
5.9.Μπλε φως19			
5.10.Συρτάρι λαχανικών ελεγχόμενης υγρασίας.20			
5.11.Αυτόματο Icematic20			
5.12.Περιγραφή και καθαρισμός του φίλτρου οσμών21			

1 Οδηγίες για την ασφάλεια και το περιβάλλον

Αυτή η ενότητα παρέχει τις οδηγίες ασφαλείας που είναι απαραίτητες για την αποτροπή κινδύνου τραυματισμού και υλικής ζημιάς. Η μη τήρηση αυτών των οδηγιών θα ακυρώσει κάθε τύπο εγγύησης του προϊόντος.

Προβλεπόμενος σκοπός χρήσης

ΠΡΟΣΟΧΗ:

βεβαιωθείτε ότι οι σπές εξαερισμού δεν είναι κλεισμένοι όταν η συσκευή είναι στη δική συσκευασία της και όταν είναι εγκατεστημένη.

ΠΡΟΣΟΧΗ:

Για να επιταχυνθεί η λειτουργία απόψυξης, παρακαλούμε να μη χρησιμοποιείτε κανένα άλλο μηχανικό ή άλλο εξοπλισμό εκτός από τα οποία που συνιστώνται από τον κατασκευαστή.

ΠΡΟΣΟΧΗ:

Μην καταστρέφετε το ψυκτικό κύκλωμα.

ΠΡΟΣΟΧΗ:

Μην χρησιμοποιείτε ηλεκτρικές συσκευές που δεν συνιστώνται από τον κατασκευαστή στους χώρους αποθήκευσης τροφίμων.

Αυτή η συσκευή έχει σχεδιαστεί για χρήση στο σπίτι ή στις παρακάτω περιοχές εφαρμογής

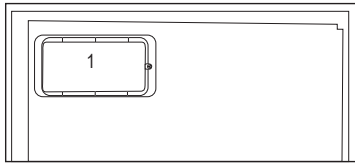
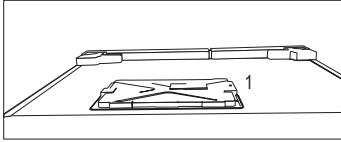
- Μπορεί να χρησιμοποιηθεί στις κουζίνες των γραφείων, μαγαζιών και των άλλων των εργασιακών περιβαλλόντων,
- Μπορεί να χρησιμοποιηθεί από τους πελάτες στα αγρόκτηματα, ξενοδοχεία, μοτέλ και στα άλλα περιβάλλοντα καταλύματος,
- Στα περιβάλλοντα όπως πανσιόν,
- Στους τόπους όπου δεν υπάρχει υπηρεσία τροφοδοσίας και στις παρόμοιες εφαρμογές.

1.1. Γενική ασφάλεια

- Αυτό το προϊόν δεν πρέπει να χρησιμοποιείται από άτομα με μειωμένες σωματικές, αισθητηριακές και πνευματικές ικανότητες, από άτομα που δεν έχουν επαρκή γνώση και εμπειρία και από παιδιά. Η συσκευή αυτή μπορεί να χρησιμοποιείται από τέτοια άτομα υπό την επίβλεψη και καθοδήγηση ατόμου υπεύθυνου για την ασφάλειά τους. Δεν πρέπει να επιτρέπεται σε παιδιά να παίζουν με αυτή τη συσκευή.
- Σε περίπτωση δυσλειτουργίας, αποσυνδέστε τη συσκευή από την πρίζα.
- Μετά την αποσύνδεση της συσκευής από την πρίζα, περιμένετε τουλάχιστον 5 λεπτά πριν τη συνδέσετε πάλι. Αποσυνδέετε το προϊόν από την πρίζα όταν δεν χρησιμοποιείται. Μην αγγίζετε το φιν ρευματοληψίας με υγρά χέρια! Μην τραβάτε το καλώδιο για αποσύνδεση από την πρίζα, πάντα να τραβάτε μόνο το φιν.
- Σκουπίστε τους ακροδέκτες του φιν ρευματοληψίας με ένα στεγνό πανί πριν συνδέσετε το φιν στην πρίζα.
- Μη συνδέσετε το ψυγείο στην πρίζα, αν η πρίζα δεν είναι καλά στερεωμένη.
- Αποσυνδέετε το προϊόν πριν από εργασίες εγκατάστασης, συντήρησης, καθαρισμού και επισκευής.
- Αν το προϊόν δεν πρόκειται να χρησιμοποιηθεί για μεγάλο χρονικό διάστημα, αποσυνδέστε το από την πρίζα και αφαιρέστε όλα τα τρόφιμα από το εσωτερικό του.
- Μη χρησιμοποιείτε ατμό ή μέσα καθαρισμού που παράγουν ατμό για τον καθαρισμό του ψυγείου και την τήξη του πάγου στο εσωτερικό του. Ο ατμός μπορεί να έρθει σε επαφή με σημεία που βρίσκονται υπό τάση και να προκαλέσει βραχυκύκλωμα ή ηλεκτροπληξία!
- Μην πλένετε το προϊόν ψεκάζοντας ή χύνοντας νερό πάνω του! Κίνδυνος ηλεκτροπληξίας!

Οδηγίες για την ασφάλεια και το περιβάλλον

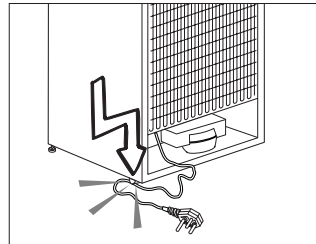
- Σε καμία περίπτωση μη χρησιμοποιήσετε το προϊόν αν είναι ανοικτό το τμήμα στο πάνω ή πίσω μέρος του προϊόντος που περιέχει τις πλακέτες τυπωμένων κυκλωμάτων (κάλυμμα τυπωμένων κυκλωμάτων) (1).



- Σε περίπτωση δυσλειτουργίας μη χρησιμοποιήσετε το προϊόν, γιατί κάτι τέτοιο θα μπορούσε να είναι αιτία ηλεκτροπληξίας. Πριν κάνετε οτιδήποτε απευθυνθείτε σε εξουσιοδοτημένο σέρβις.
- Συνδέστε το προϊόν σε πρίζα με γείωση. Η γείωση πρέπει να έχει γίνει από εξειδικευμένο ηλεκτρολόγο.
- Αν το προϊόν διαθέτει φωτισμό τύπου LED, απευθυνθείτε σε εξουσιοδοτημένο σέρβις για αντικατάσταση ή σε περίπτωση οποιουδήποτε προβλήματος.
- Μην αγγίζετε κατεψυγμένα τρόφιμα με υγρά χέρια! Μπορεί να κολλήσουν στα χέρια σας!
- Μην τοποθετείτε μέσα στο θάλαμο κατάψυξης υγρά σε μπουκάλια ή μεταλλικά κουτάκια. Μπορεί να σκάσουν!
- Τοποθετείτε τα δοχεία υγρών σε όρθια θέση με σφιχτά κλεισμένο το κάλυμμα.
- Μην ψεκάζετε εύφλεκτες ουσίες κοντά στο προϊόν, γιατί μπορεί να προκληθεί φωτιά ή έκρηξη.
- Μη διατηρείτε μέσα στο ψυγείο εύφλεκτα υλικά και προϊόντα που περιέχουν εύφλεκτο αέριο (σπρέι κλπ.).
- Μην τοποθετείτε πάνω στο προϊόν δοχεία που περιέχουν υγρά. Τυχόν πιπίλισμα

νερού πάνω σε εξάρτημα υπό τάση μπορεί να προκαλέσει ηλεκτροπληξία και κίνδυνο φωτιάς.

- Η έκθεση του προϊόντος σε βροχή, χιόνι, ηλιακή ακτινοβολία και άνεμο θα προκαλέσει ηλεκτρικό κίνδυνο. Όταν αλλάζετε θέση στο προϊόν, μην το τραβήξετε από τη λαβή της πόρτας. Η λαβή μπορεί να αποκολληθεί.
- Προσέξτε να αποφύγετε την παγίδευση οποιουδήποτε τμήματος των χεριών ή του σώματός σας σε οποιοδήποτε από τα κινούμενα μέρη στο εσωτερικό του προϊόντος.
- Μην ανεβαίνετε και μη στηρίζετε στην πόρτα, τα συρτάρια και παρόμοια μέρη του ψυγείου. Κάτι τέτοιο θα προκαλέσει πτώση του προϊόντος και ζημιά στα μέρη της συσκευής.
- Προσέξτε να μην παγιδευτεί το καλώδιο ρεύματος.



Όταν τοποθετείτε τη συσκευή, ββαιωθείτε ότι το καλώδιο ρεύματος δεν θα μαγκωθεί και δεν θα υποστεί ζημιά.

- Μην τοποθετείτε πολύπριζα ή φορητά τροφοδοτικά πίσω από τη συσκευή.
- Παιδιά ηλικίας από 3 έως 8 ετών επιτρέπεται να εναποθέτουν και να αποσύρουν φαγώσιμα από ψυκτικές οικιακές συσκευές.
- Για την αποφυγή μόλυνσης των τροφίμων, παρακαλούμε να τηρείτε τις εξής οδηγίες:
- Το άνοιγμα της πόρτας για μεγάλα χρονικά διαστήματα μπορεί να προκαλέσει σημαντική αύξηση της θερμοκρασίας στα διαμερίσματα της συσκευής.
- Να καθαρίζετε τακτικά τις επιφάνειες που μπορεί να έρθουν σε επαφή με τρόφιμα, καθώς και τα προσπελάσιμα συστήματα αποστράγγισης.

Οδηγίες για την ασφάλεια και το περιβάλλον

- Να καθαρίζετε τα δοχεία νερού αν δεν έχουν χρησιμοποιηθεί για 48 ώρες. Να ξεπλύνετε το σύστημα νερού που συνδέεται σε παροχή νερού αν δεν έχει καταναλωθεί νερό για 5 ημέρες.
- Να φυλάσσετε το ωμό κρέας και ψάρια σε κατάλληλα δοχεία μέσα στο ψυγείο, ώστε να μην έρχονται σε επαφή με φαγητά και να μη στάζουν πάνω σε αυτά.
- Τα διαμερίσματα δύο αστέρων για κατεψυγμένα τρόφιμα είναι κατάλληλα για φύλαξη προ-κατεψυγμένων τροφίμων, για φύλαξη ή παρασκευή παγωτού και για παρασκευή παγοκύβων.
- Τα διαμερίσματα ενός, δύο και τριών αστέρων δεν είναι κατάλληλα για την κατάψυξη νωπών τροφίμων.
- Αν η ψυκτική οικιακή συσκευή μείνει κενή για μεγάλα χρονικά διαστήματα, απενεργοποιήστε τη, κάντε απόψυξη, καθαρίστε τη, στεγνώστε τη και αφήστε την πόρτα ανοικτή ώστε να αποφύγετε την ανάπτυξη μούχλας εντός της συσκευής.

1.1.1 Προειδοποίηση HC

- Αν το προϊόν περιλαμβάνει ψυκτικό σύστημα που χρησιμοποιεί το αέριο R600a, προσέξτε να αποφύγετε την πρόκληση ζημιάς στο ψυκτικό σύστημα και στους σωλήνες τους όταν χρησιμοποιείτε και μεταφέρετε το προϊόν. Αυτό το αέριο είναι εύφλεκτο. Αν έχει υποστεί ζημιά το ψυκτικό σύστημα, κρατήστε το προϊόν μακριά από πηγές φλόγας ή σπινθήρες και αερίστε αμέσως το δωμάτιο.



Η ετικέτα στην εσωτερική αριστερή πλευρά υποδεικνύει τον τύπο αερίου που χρησιμοποιείται στο προϊόν.

1.1.2 Για μοντέλα με διανομέα νερού

- Η μέγιστη πίεση για την είσοδο κρύου νερού θα είναι 90 psi (620 kPa). Αν η πίεση νερού υπερβαίνει τα 80 psi (550 kPa), χρησιμοποιήστε μια βαλβίδα περιορισμού πίεσης στο σύστημα παροχής νερού σας. Αν δεν γνωρίζετε πώς να ελέγξετε την πίεση

νερού, ζητήστε τη βοήθεια επαγγελματία υδραυλικού.

- Αν υπάρχει κίνδυνος φαινομένου υδραυλικού πλήγματος (απότομης μεταβολής πίεσης του νερού) στην εγκατάστασή σας, πάντα να χρησιμοποιείτε στην εγκατάσταση εξοπλισμό αποτροπής του υδραυλικού πλήγματος. Συμβουλευτείτε επαγγελματίες υδραυλικούς αν δεν είστε σίγουροι ότι δεν υπάρχει φαινόμενο υδραυλικού πλήγματος στην εγκατάστασή σας.
- Μην εγκαταστήσετε στην είσοδο ζεστού νερού. Λάβετε μέτρα προφύλαξης έναντι του κινδύνου να παγώσουν οι εύκαμπτοι σωλήνες. Η περιοχή θερμοκρασιών νερού λειτουργίας είναι από ελάχιστη 0,6 °C (33 °F) έως μέγιστη 38 °C (100 °F).
- Να χρησιμοποιείτε μόνο πόσιμο νερό.
- Να χρησιμοποιείτε μόνο πόσιμο νερό.

1.2. Προβλεπόμενη χρήση

- Αυτό το προϊόν έχει σχεδιαστεί για οικιακή χρήση. Δεν προορίζεται για επαγγελματική χρήση.
- Το προϊόν θα πρέπει να χρησιμοποιείται μόνο για τη φύλαξη τροφίμων και ποτών.
- Μη διατηρείτε μέσα στο ψυγείο ευαίσθητα προϊόντα που χρειάζονται ελεγχόμενες θερμοκρασίες (εμβόλια, φάρμακα ευαίσθητα στη θερμοκρασία, ιατρικά υλικά κλπ.).
- Ο κατασκευαστής δεν αποδέχεται καμία ευθύνη για οποιαδήποτε ζημία λόγω κακής χρήσης ή κακής μεταχείρισης.
- Γνήσια ανταλλακτικά θα είναι διαθέσιμα για 10 έτη από την ημερομηνία αγοράς του προϊόντος.

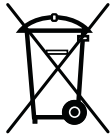
1.3. Ασφάλεια των παιδιών

- Κρατάτε τα υλικά συσκευασίας μακριά από τα παιδιά.
- Μην επιτρέπετε σε παιδιά να παίζουν με το προϊόν.
- Αν η πόρτα του προϊόντος περιλαμβάνει κλειδαριά, κρατάτε το κλειδί μακριά από παιδιά.

Οδηγίες για την ασφάλεια και το περιβάλλον

1.4. Συμμόρφωση με την Οδηγία περί ΑΗΕΕ και απόρριψη του προϊόντος στο τέλος της ωφέλιμης ζωής του

Αυτό το προϊόν συμμορφώνεται με την Οδηγία ROHS (περιορισμού χρήσης ορισμένων επικίνδυνων ουσιών) της ΕΕ (2012/19/ΕΕ).



Το προϊόν αυτό φέρει ένα σύμβολο ταξινόμησης για απόβλητα ηλεκτρικού και ηλεκτρονικού εξοπλισμού (ΑΗΕΕ). Αυτό το προϊόν έχει κατασκευαστεί με εξαρτήματα και υλικά υψηλής ποιότητας τα οποία μπορούν να

επαναχρησιμοποιηθούν και είναι κατάλληλα για ανακύκλωση. Στο τέλος της ωφέλιμης ζωής του προϊόντος, μην το απορρίψετε μαζί με τα κανονικά οικιακά και άλλα απόβλητα.

Παραδώστε το σε κέντρο συλλογής για την ανακύκλωση ηλεκτρικού και ηλεκτρονικού εξοπλισμού. Για να μάθετε περισσότερα σχετικά με αυτά τα κέντρα συλλογής, απευθυνθείτε στις τοπικές σας αρχές.

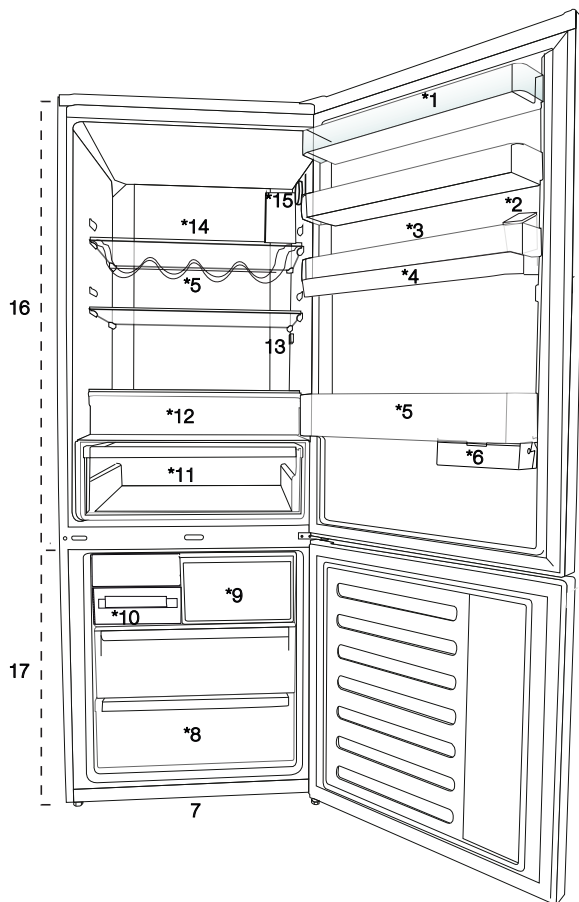
1.5. Συμμόρφωση με την Οδηγία RoHS

- Αυτό το προϊόν συμμορφώνεται με την Οδηγία ROHS (περιορισμού χρήσης ορισμένων επικίνδυνων ουσιών) της ΕΕ (2011/65/ΕΕ). Δεν περιέχει επιβλαβή και απαγορευμένα υλικά που καθορίζονται στην Οδηγία.

1.6. Πληροφορίες για τη συσκευασία

- Τα υλικά συσκευασίας του προϊόντος κατασκευάζονται από ανακυκλώσιμα υλικά σύμφωνα με του Εθνικούς μας Κανονισμούς Προστασίας του Περιβάλλοντος. Μην απορρίψετε τα υλικά συσκευασίας μαζί με οικιακά ή άλλα απορρίμματα. Παραδώστε τα στα σημεία συλλογής υλικών συσκευασίας που έχουν οριστεί από τις τοπικές αρχές.

2 Το ψυγείο σας



1. Ράφι πόρτας θαλάμου συντήρησης
2. Δοχείο πλήρωσης διανομέα νερού
3. Τμήμα αυτών
4. Ρεζερβουάρ διανομέα νερού
5. Ράφι μπουκαλιών
6. Συρόμενο δοχείο αποθήκευσης
7. Ρυθμιζόμενα πόδια
8. Θάλαμος βαθιάς κατάψυξης
9. Χώρος ταχείας κατάψυξης
10. Δίσκος για παγάκια & Θήκη για παγάκια
11. Συρτάρι λαχανικών
12. Το διαμέρισμα γαλακτοκομικών (έντονης ψύξης)
13. Εσωτερικός φωτισμός
14. Γυάλινο ράφι θαλάμου συντήρησης
15. Κομπι ρύθμισης θερμοκρασίας
16. Θάλαμος συντήρησης
17. Χώρος Κατάψυξης



*Προαιρετικός εξοπλισμός: Οι εικόνες σε αυτές τις οδηγίες χρήσης είναι σχηματικές και μπορεί να μην ταιριάζουν ακριβώς στο προϊόν σας. Αν το προϊόν σας δεν περιλαμβάνει τα σχετικά εξαρτήματα, οι πληροφορίες αφορούν άλλα μοντέλα.

3 Εγκατάσταση

3.1. Σωστή θέση εγκατάστασης

Για την εγκατάσταση του προϊόντος, απευθυνθείτε στο Εξουσιοδοτημένο σέρβις. Για να ετοιμάσετε το προϊόν για εγκατάσταση, ανατρέξτε στις πληροφορίες των οδηγιών χρήσης και βεβαιωθείτε ότι οι παροχές ρεύματος και νερού είναι σύμφωνες με τις απαιτήσεις. Διαφορετικά, καλέστε ηλεκτρολόγο και/ή υδραυλικό για την απαιτούμενη προετοιμασία των παροχών.



ΠΡΟΕΙΔΟΠΟΙΗΣΗ: Ο κατασκευαστής δεν αποδέχεται καμία ευθύνη για οποιαδήποτε ζημία προκύψει από εργασίες που εκτελέστηκαν από μη εξουσιοδοτημένα άτομα.



ΠΡΟΕΙΔΟΠΟΙΗΣΗ: Το καλώδιο ρεύματος του προϊόντος πρέπει να είναι αποσυνδεδεμένο από την πρίζα κατά την εγκατάσταση. Σε αντίθετη περίπτωση, μπορεί να προκληθεί θάνατος ή σοβαροί τραυματισμοί!



ΠΡΟΕΙΔΟΠΟΙΗΣΗ: Αν το άνοιγμα της πόρτας του δωματίου είναι πολύ μικρό για να περάσει το προϊόν, αφαιρέστε την πόρτα και γυρίστε το προϊόν στο πλάι. Αν και αυτό δεν ωφελήσει, απευθυνθείτε στο εξουσιοδοτημένο σέρβις.



Προειδοποίηση για επιφάνειες υψηλής θερμοκρασίας
Τα πλευρικά τοιχώματα του προϊόντος περιλαμβάνουν σωληνές ψυκτικού, για βελτίωση του ψυκτικού συστήματος. Σε αυτές τις περιοχές μπορεί να διέρχεται ψυκτικό σε υψηλές θερμοκρασίες, με αποτέλεσμα να υπάρχουν επιφάνειες υψηλής θερμοκρασίας στα πλευρικά τοιχώματα. Αυτό είναι κάτι κανονικό και δεν απαιτείται σέρβις. Παρακαλούμε να προσέχετε όταν αγγίζετε αυτές τις περιοχές.

- Τοποθετήστε το προϊόν σε επίπεδη επιφάνεια, για να αποφύγετε κραδασμούς.

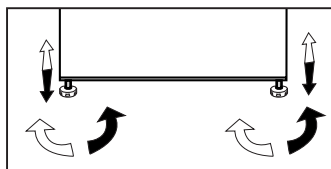
- Τοποθετήστε το προϊόν τουλάχιστον 30 cm μακριά από σόμπα, συσκευή κουζίνας και παρόμοιες πηγές θερμότητας και τουλάχιστον 5 cm από ηλεκτρικούς φούρνους.
- Μην εκθέτετε το προϊόν σε άμεση ηλιακή ακτινοβολία και μην το κρατάτε σε περιβάλλον με υγρασία.
- Το προϊόν χρειάζεται επαρκή κυκλοφορία αέρα για να λειτουργεί αποδοτικά. Αν το προϊόν πρόκειται να τοποθετηθεί μέσα σε εσοχή του τοίχου, θυμηθείτε να αφήσετε απόσταση τουλάχιστον 5 cm ανάμεσα στο προϊόν και την οροφή ή τα τοιχώματα.
- Μην εγκαταστήσετε το προϊόν σε περιβάλλον με θερμοκρασία κάτω από -5°C.

3.2. Τοποθέτηση των πλαστικών αποστατών

Μπορείτε να τοποθετήσετε τις 2 πλαστικές σφήνες όπως δείχνει η εικόνα. Οι πλαστικές σφήνες θα παρέχουν την απαιτούμενη απόσταση ανάμεσα στο ψυγείο σας και τον τοίχο ώστε να επιτρέπεται η κυκλοφορία του αέρα. (Το παρουσιαζόμενο σχήμα είναι μόνο ενδεικτικό και δεν αντιστοιχεί απόλυτα στο προϊόν σας.)

3.3. Ρύθμιση των ποδιών

Αν το προϊόν δεν έχει ισορροπήσει καλά στη θέση του, ρυθμίστε τα μπροστινά ρυθμιζόμενα πόδια περιστρέφοντάς τα δεξιά ή αριστερά.



3.4. Σύνδεση ρεύματος

	ΠΡΟΕΙΔΟΠΟΙΗΣΗ: Μη χρησιμοποιείτε καλώδια επέκτασης ή πολύπριζα για τη σύνδεση ρεύματος.
	ΠΡΟΕΙΔΟΠΟΙΗΣΗ: Αν το καλώδιο έχει υποστεί ζημιά, πρέπει να αντικατασταθεί από το εξουσιοδοτημένο σέρβις.
	Όταν τοποθετείτε δύο ψυγεία το ένα δίπλα στο άλλο, αφήστε απόσταση τουλάχιστον 4 cm ανάμεσα στις δύο μονάδες.

- Η εταιρεία μας δεν θα αναλάβει ευθύνη για οποιεσδήποτε ζημιές λόγω χρήσης του προϊόντος χωρίς γείωση και χωρίς σύνδεση ρεύματος που συμμορφώνεται με τους εθνικούς κανονισμούς.
- Το φως του καλωδίου ρεύματος πρέπει να είναι εύκολα προσπελάσιμο μετά την εγκατάσταση.
- Μη χρησιμοποιείτε πολύπριζο με ή χωρίς καλώδιο επέκτασης ανάμεσα στην πρίζα τοίχου και στο ψυγείο.

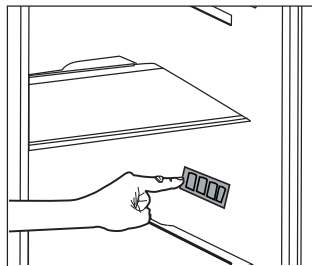
4 Προετοιμασία

4.1. Τι να κάνετε για εξοικονόμηση ενέργειας



Η σύνδεση του προϊόντος σε ηλεκτρονικό σύστημα εξοικονόμησης ενέργειας είναι επιβλαβής, γιατί μπορεί να προκαλέσει ζημιά στο προϊόν.

- Για ελεύθερη συσκευή: “η παρούσα ψυκτική συσκευή δεν προορίζεται να χρησιμοποιηθεί ως εντοιχισόμενη συσκευή”.
- Μην κρατάτε τις πόρτες του ψυγείου ανοικτές για μεγάλα χρονικά διαστήματα.
- Μην τοποθετείτε ζεστά τρόφιμα ή ποτά μέσα στο ψυγείο.
- Μη γεμίζετε υπερβολικά το ψυγείο. Αν εμποδίζεται η εσωτερική κυκλοφορία του αέρα, θα μειωθεί η ψυκτική ικανότητα.
- Για να αποθηκεύσετε τη μέγιστη ποσότητα τροφίμων στο θάλαμο συντήρησης του ψυγείου σας, θα πρέπει να αφαιρέσετε τα πάνω συρτάρια και να τα τοποθετήσετε πάνω στο γυάλινο ράφι. Η δηλωθείσα κατανάλωση ενέργειας του ψυγείου σας προσδιορίστηκε αφού είχε αφαιρεθεί ο ψύκτης, ο δίσκος για παγάκια και τα πάνω συρτάρια ώστε να επιτυγχάνεται ο μέγιστος χώρος αποθήκευσης. Η χρήση του από κάτω συρταριού κατά την αποθήκευση τροφίμων συνιστάται θερμά. Η λειτουργία εξοικονόμησης ενέργειας θα πρέπει να είναι ενεργοποιημένη για τη βέλτιστη κατανάλωση ενέργειας.
- Δεν θα πρέπει να εμποδίζετε τη ροή αέρα τοποθετώντας τρόφιμα μπροστά από τον ανεμιστήρα συντήρησης. Πρέπει να αφήνετε ελεύθερο χώρο τουλάχιστον 3 cm μπροστά από το προστατευτικό σύρμα του ανεμιστήρα όταν τοποθετείτε τα τρόφιμα.
- Ανάλογα με τα χαρακτηριστικά του προϊόντος: η απόψυξη κατεψυγμένων τροφίμων στο θάλαμο κατάψυξης θα



εξασφαλίσει εξοικονόμηση ενέργειας και θα διατηρήσει την ποιότητα των τροφίμων.

- Πρέπει να αποθηκεύετε τα τρόφιμα στα συρτάρια του θαλάμου συντήρησης για να εξασφαλίζετε εξοικονόμηση ενέργειας και να προστατεύετε το φαγητό με τις καλύτερες συνθήκες.
- Οι συσκευασίες των τροφίμων δεν πρέπει να είναι σε άμεση επαφή με τον αισθητήρα θερμότητας που βρίσκεται στο θάλαμο συντήρησης. Αν είναι σε επαφή με τον αισθητήρα, μπορεί να αυξηθεί η κατανάλωση ενέργειας της συσκευής.
- Βεβαιωθείτε ότι τα τρόφιμα δεν είναι σε επαφή με τον αισθητήρα θερμοκρασίας του θαλάμου συντήρησης που περιγράφεται παρακάτω.

4.2. Πρώτη χρήση

Πριν χρησιμοποιήσετε το ψυγείο σας, βεβαιωθείτε ότι έχουν γίνει οι απαραίτητες προετοιμασίες σύμφωνα με τις οδηγίες στα τμήματα "Οδηγίες για την ασφάλεια και το περιβάλλον" και "Εγκατάσταση".

- Διατηρήστε το προϊόν σε λειτουργία χωρίς τρόφιμα για 6 ώρες και μην ανοίξετε την πόρτα αν δεν είναι απολύτως αναγκαίο.



Όταν ενεργοποιηθεί ο συμπιεστής θα ακουστεί ένας ήχος. Είναι σημαντικό να ακούτε ήχο όταν ο συμπιεστής είναι ανενεργός, λόγω των συμπιεσμένων υγρών και αερίων στο ψυκτικό σύστημα.



Τα μπροστινά άκρα του προϊόντος μπορεί να θερμαίνονται. Αυτό είναι φυσιολογικό. Αυτές οι περιοχές έχουν σχεδιαστεί να θερμαίνονται για την πρόληψη της συμπύκνωσης.



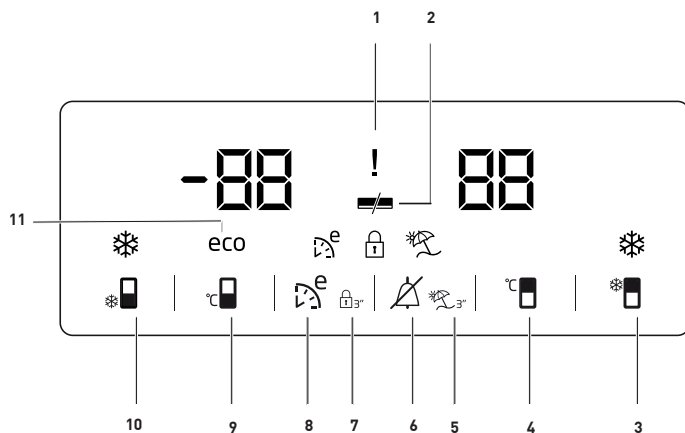
Σε ορισμένα μοντέλα ο πίνακας ενδείξεων απενεργοποιείται αυτόματα 5 λεπτά μετά το κλείσιμο της πόρτας. Θα ενεργοποιηθεί πάλι όταν ανοίξετε την πόρτα ή πατήσετε οποιοδήποτε κουμπί.

- Επειδή όταν δεν ανοίγονται οι πόρτες της συσκευής δεν θα εισέρχεται απευθείας ζεστός και υγρός αέρας, η συσκευή θα βελτιστοποιεί τη λειτουργία της σε συνθήκες επαρκείς για την προστασία των τροφίμων σας. Λειτουργίες και επί μέρους μονάδες όπως συμπιεστής, ανεμιστήρας, θερμοαντήρας, απόψυξη, φωτισμός, οθόνη κλπ. θα λειτουργούν σύμφωνα με τις απαιτήσεις, ώστε να καταναλώνεται η ελάχιστη ενέργεια υπό τις δεδομένες συνθήκες.

Χρήση του προϊόντος

5.1. Πίνακας ενδείξεων

Αυτός ο πίνακας ενδείξεων με κουμπιά ελέγχου σας επιτρέπει να ρυθμίζετε τη θερμοκρασία χωρίς να ανοίγετε την πόρτα του προϊόντος σας. Απλά πατήστε τις επιγραφές στα σχετικά κουμπιά για τις ρυθμίσεις λειτουργίας.



1. Ειδοποίηση υψηλής θερμοκρασίας/ βλάβης

Αυτή η ένδειξη (⚠) θα ανάψει σε περίπτωση προειδοποιήσεων θερμοκρασίας ή ειδοποιήσεων για βλάβη.

Αν η θερμοκρασία του θαλάμου κατάψυξης αυξηθεί σε επίπεδο κρίσιμο για τα κατεψυγμένα τρόφιμα, αυτή η ένδειξη και η ένδειξη τιμής θερμοκρασίας δείχνουν εναλλάξ τη μέγιστη θερμοκρασία και την τιμή θερμοκρασίας που υπάρχει στον θάλαμο κατάψυξης.

Αφού ελέγξετε τα

τρόφιμα μέσα στον θάλαμο κατάψυξης, μπορείτε να σταματήσετε την ειδοποίηση πατώντας το κουμπί Απενεργοποίησης

ειδοποίησης .

Αυτή η ένδειξη

(⚠) επίσης ανάβει αν προκύψει δυσλειτουργία του αισθητήρα. Όταν είναι αναμμένη αυτή η ένδειξη, η ένδειξη τιμής θερμοκρασίας δείχνει εναλλάξ "E" και αριθμούς όπως "1,2,3...".

Αυτοί οι αριθμοί στην οθόνη ενδείξεων πληροφορούν το προσωπικό σέρβις σχετικά με το είδος του σφάλματος.

2. Εξοικονόμηση ενέργειας (ενδείξεις ανενεργές)

Όταν δεν ανοίγετε και κλείνετε τις πόρτες της συσκευής, η λειτουργία εξοικονόμησης ενέργειας ενεργοποιείται αυτόματα και ανάβει το εικονίδιο εξοικονόμησης ενέργειας.

(⚡)




***προαιρετικός εξοπλισμός:** Οι εικόνες σε αυτές τις οδηγίες χρήσης είναι σχηματικές και μπορεί να μην ταιριάζουν ακριβώς στο προϊόν σας. Αν το προϊόν σας δεν περιλαμβάνει τα σχετικά εξαρτήματα, οι πληροφορίες αφορούν άλλα μοντέλα.


Χρήση του προϊόντος


Η ενεργοποίηση της λειτουργίας εξοικονόμησης ενέργειας θα απενεργοποιήσει όλες τις άλλες ενδείξεις στον πίνακα ενδείξεων. Όταν είναι ενεργή η λειτουργία εξοικονόμησης ενέργειας, αν πατήσετε οποιοδήποτε κουμπί ή ανοίξετε την πόρτα της συσκευής, θα απενεργοποιηθεί η λειτουργία εξοικονόμησης ενέργειας και οι ενδείξεις στον πίνακα θα επιστρέψουν στο κανονικό.

Η λειτουργία εξοικονόμησης ενέργειας είναι μια λειτουργία που έχει ενεργοποιηθεί από προεπιλογή εργοστασιακά και δεν μπορεί να ακυρωθεί.

3. Λειτουργία ταχείας ψύξης

Πατήστε σύντομα το κουμπί  για να ενεργοποιήσετε τη λειτουργία ταχείας ψύξης.

Η ένδειξη ταχείας ψύξης  θα ανάψει και η ρύθμιση θερμοκρασίας θαλάμου συντήρησης θα τεθεί σε 1 °C.

Για να ακυρώσετε τη λειτουργία ταχείας ψύξης, πατήστε πάλι σύντομα το κουμπί . Η ένδειξη ταχείας ψύξης θα σβήσει και η συσκευή θα επιστρέψει στις κανονικές της ρυθμίσεις.




Αν δεν ακυρώσετε τη λειτουργία ταχείας ψύξης, τότε ακυρώνεται αυτόματα μετά από 1 ώρα.




Αυτή η λειτουργία δεν παραμένει ενεργοποιημένη μετά από ενδεχόμενη διακοπή ρεύματος.

4. Κουμπί ρύθμισης θερμοκρασίας θαλάμου συντήρησης

Όταν πατηθεί αυτό το κουμπί , η θερμοκρασία του θαλάμου συντήρησης μπορεί να ρυθμιστεί σε 8, 7, 6, 5, 4, 3, 2, 1, 8... βαθμούς αντίστοιχα. Πατήστε αυτό το κουμπί για να

ρυθμίσετε τη θερμοκρασία του θαλάμου συντήρησης στην επιθυμητή τιμή.

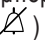
5. Λειτουργία Διακοπών

Για να ενεργοποιήσετε τη λειτουργία Διακοπών, πατήστε το κουμπί 6 Απενεργοποίησης Ειδοποίησης για 3 δευτερόλεπτα. Λειτουργία διακοπών ανάβει η ένδειξη  ενεργής λειτουργίας διακοπών, η ένδειξη θερμοκρασίας θαλάμου συντήρησης εμφανίζει "- -" και δεν θα υπάρχει ενεργή διαδικασία ψύξης στον θάλαμο συντήρησης. Σε

αυτή τη λειτουργία, δεν πρέπει να φυλάσσετε τρόφιμα μέσα στον θάλαμο συντήρησης. Ο θάλαμος κατάψυξης θα συνεχίσει να ψύχεται σύμφωνα με τη ρυθμισμένη θερμοκρασία.


Για να ακυρώσετε αυτή τη λειτουργία, πατήστε Διακοπών, πατήστε το κουμπί 6 Απενεργοποίησης Ειδοποίησης για 3 δευτερόλεπτα.

6. . Τερματισμός της προειδοποίησης υψηλής θερμοκρασίας:

Σε περίπτωση προειδοποίησης διακοπής ρεύματος/υψηλής θερμοκρασίας, μπορείτε να διαγράψετε την προειδοποίηση  πατώντας οποιοδήποτε κουμπί στον πίνακα ενδείξεων ή το κουμπί απενεργοποίησης ειδοποίησης υψηλής θερμοκρασίας για 1 δευτερόλεπτο, μετά τον έλεγχο των τροφίμων μέσα στον θάλαμο κατάψυξης.

Σημείωση: Η ακύρωση με πάτημα οποιουδήποτε κουμπιού δεν έχει εφαρμογή σε κάθε μοντέλο.

7. Κλείδωμα πλήκτρων

Για να ενεργοποιήσετε το κλείδωμα πλήκτρων, πατήστε για 3 δευτερόλεπτα το κουμπί Eco fuzzy 8. Όταν έχει ενεργοποιηθεί το κλείδωμα πλήκτρων, οι ενδεικτικές λυχνίες  και τα κουμπιά δεν λειτουργούν.

Χρήση του προϊόντος

Για να απενεργοποιήσετε το κλείδωμα πλήκτρων, πατήστε για 3 δευτερόλεπτα το κουμπί Eco fuzzy 8, τότε η ένδειξη (🔒) απενεργοποιείται και τα κουμπιά αρχίζουν να λειτουργούν πάλι.

Αν θέλετε να αποφύγετε την αλλαγή της ρύθμισης θερμοκρασίας της συντήρησης πατήστε το κουμπί 8 για 3 δευτερόλεπτα.

8. Eco fuzzy

Πατήστε σύντομα το κουμπί Eco fuzzy για να ενεργοποιήσετε τη λειτουργία Eco fuzzy. Μετά την ενεργοποίηση της λειτουργίας, θα ανάψει η ένδειξη οικονομικής χρήσης (💰). Το διαμέρισμα κατάψυξης θα αρχίσει να λειτουργεί σε οικονομική

λειτουργία μετά από 6 ώρες. Για να απενεργοποιήσετε τη λειτουργία Eco fuzzy, πατήστε σύντομα το κουμπί λειτουργίας Eco fuzzy.

9. Κουμπί ρύθμισης θερμοκρασίας θαλάμου κατάψυξης

Με αυτό το κουμπί, η θερμοκρασία του θαλάμου κατάψυξης μπορεί να ρυθμιστεί σε -18, -19, -20, -21, -22, -23, -24, -18 ... βαθμούς αντίστοιχα. Για να θέσετε τη ρύθμιση της θερμοκρασίας θαλάμου κατάψυξης στην επιθυμητή τιμή,

πατήστε αυτό το κουμπί (🔧).

10. Κουμπί λειτουργίας Ταχείας κατάψυξης/Διακόπτης on-off παρασκευής πάγου

Για να ενεργοποιήσετε ή να απενεργοποιήσετε τη λειτουργία ταχείας κατάψυξης, πατήστε σύντομα αυτό το κουμπί (❄️).

Όταν είναι ενεργή η λειτουργία, ανάβει η ένδειξη ταχείας κατάψυξης (❄️).

Η θερμοκρασία θαλάμου κατάψυξης εμφανίζεται ως -27.

Ο θάλαμος κατάψυξης ψύχεται σε τιμή μικρότερη από τη ρυθμισμένη θερμοκρασία.

Αν θέλετε να καταψύξετε μεγάλες ποσότητες νωπών τροφίμων, πατήστε το κουμπί ταχείας κατάψυξης, πριν τοποθετήσετε τρόφιμα μέσα στον θάλαμο κατάψυξης.

Για να σταματήσετε τη διαδικασία παρασκευής πάγου της μονάδας παρασκευής πάγου, πατήστε παρατεταμένα το κουμπί ταχείας κατάψυξης 11 για 3 δευτερόλεπτα, οπότε θα ανάψει η ένδειξη (❄️) και η παρασκευή πάγου θα σταματήσει αφού χετε πάρει τον πάγο που είχε ήδη παραχθεί μέσα στη μονάδα παρασκευής πάγου.

Για να ξεκινήσει πάλι η παρασκευή πάγου, πατήστε πάλι παρατεταμένα το κουμπί ταχείας κατάψυξης 11 για 3 δευτερόλεπτα, οπότε θα σβήσει η ένδειξη (❄️) και η μονάδα παρασκευής πάγου θα αρχίσει να παρασκευάζει πάγο.



Χρησιμοποιήστε τη λειτουργία ταχείας κατάψυξης αν θέλετε να καταψύξετε γρήγορα τρόφιμα που τοποθετείτε μέσα στον θάλαμο κατάψυξης. Αν θέλετε να καταψύξετε μεγάλες ποσότητες νωπών τροφίμων, ενεργοποιήστε τη λειτουργία πριν τοποθετήσετε τα τρόφιμα στη συσκευή.



Αν δεν ακυρώσετε εσείς τη λειτουργία ταχείας κατάψυξης, τότε ακυρώνεται αυτόματα μετά από 24 ώρα.



Αυτή η λειτουργία δεν παραμένει ενεργοποιημένη μετά από ενδεχόμενη διακοπή ρεύματος.

11. Ένδειξη οικονομικής χρήσης

Υποδεικνύει ότι η συσκευή λειτουργεί με υψηλή ενεργειακή απόδοση. Αν η θερμοκρασία του θαλάμου κατάψυξης έχει ρυθμιστεί σε -18 ή αν εκτελείται ενεργειακά αποδοτική ψύξη με τη λειτουργία Eco Fuzzy, τότε ανάβει αυτή η ενδεικτική λυχνία (eco).



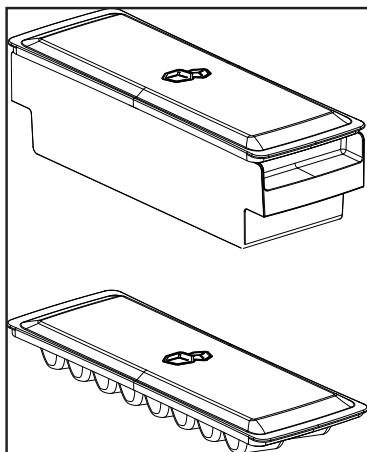
Όταν έχει επιλεγεί η λειτουργία ταχείας ψύξης ή ταχείας κατάψυξης, τότε θα σβήσει η ένδειξη οικονομικής χρήσης.



Η ένδειξη Οικονομικής χρήσης απενεργοποιείται όταν επιλέγονται οι λειτουργίες Ταχείας Ψύξης και Ταχείας Κατάψυξης.

5.2. Παγοθήκη

- Αφαιρέστε την παγοθήκη από το θάλαμο κατάψυξης.
- Γεμίστε την παγοθήκη με νερό.
- Τοποθετήστε την παγοθήκη στο θάλαμο κατάψυξης. Δύο ώρες αργότερα, ο πάγος είναι έτοιμος.
- Αφαιρέστε την παγοθήκη από το θάλαμο κατάψυξης και λυγίστε τη πάνω από το πιάτο σερβιρίσματος. Τα παγάκια θα πέσουν εύκολα πάνω στο πιάτο σερβιρίσματος.



5.3. Παγοθήκη

- Αφαιρέστε την παγοθήκη από το θάλαμο κατάψυξης.
- Γεμίστε την παγοθήκη με νερό.
- Τοποθετήστε την παγοθήκη στο θάλαμο κατάψυξης. Δύο ώρες αργότερα, ο πάγος είναι έτοιμος.
- Αφαιρέστε την παγοθήκη από το θάλαμο κατάψυξης και λυγίστε τη πάνω από το πιάτο σερβιρίσματος. Τα παγάκια θα πέσουν εύκολα πάνω στο πιάτο σερβιρίσματος.

5.4. Αυγοθήκη

Μπορείτε να τοποθετήσετε την αυγοθήκη στο επιθυμητό ράφι πόρτας ή κυρίως ράφι. Αν το τοποθετήσετε σε κυρίως ράφι, συνιστώνται τα κάτω, πιο κρύα ράφια.



Μην τοποθετείτε ποτέ την αυγοθήκη στο θάλαμο κατάψυξης.

5.5. Τμήματα μυρωδικών - HerbBox/HerbFresh

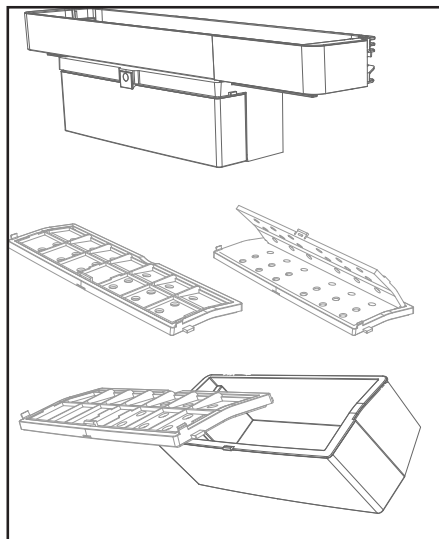
Αφαιρέστε τον περιέκτη της μεμβράνης από το τμήμα HerbBox/HerbFresh+

Αφαιρέστε τη μεμβράνη από τη σακούλα και τοποθετήστε την μέσα στην υποδοχή μεμβράνης όπως δείχνει η εικόνα.

Σφραγίστε πάλι την υποδοχή και τοποθετήστε την μέσα στο τμήμα HerbBox/HerbFresh+.

Τα τμήματα HerbBox-HerbFresh+ είναι ιδιαίτερα κατάλληλα για την αποθήκευση διάφορων μυρωδικών που πρέπει να διατηρούνται σε προστατευμένες συνθήκες. Μπορείτε σε αυτό το τμήμα να αποθηκεύσετε τα μη συσκευασμένα μυρωδικά σας (μαϊντανό, άνηθο κλπ.) σε οριζόντια θέση και να τα διατηρήσετε φρέσκα για πολύ περισσότερο χρόνο.

Η μεμβράνη πρέπει να αντικαθίσταται κάθε έξι μήνες.

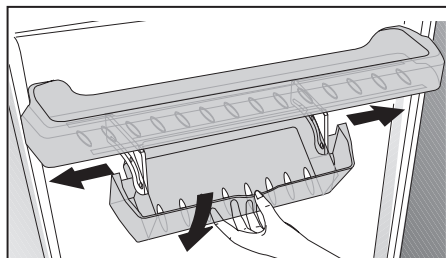


Χρήση του προϊόντος

5.6. Ανεμιστήρας

Ο ανεμιστήρας έχει σχεδιαστεί για να διασφαλίζει ομοιογενή κατανομή και κυκλοφορία του αέρα στο εσωτερικό του ψυγείου σας. Ο χρόνος λειτουργίας του ανεμιστήρα μπορεί να διαφέρει ανάλογα με τα χαρακτηριστικά του προϊόντος σας.

Ενώ σε ορισμένα προϊόντα ο ανεμιστήρας λειτουργεί μόνο μαζί με το συμπιεστή, σε ορισμένα πάλι προϊόντα το σύστημα ελέγχου καθορίζει το χρόνο λειτουργίας του ανεμιστήρα σύμφωνα με τις απαιτήσεις ψύξης.

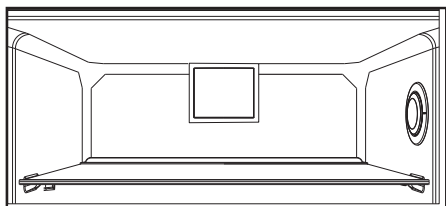


5.9. Μπλε φως

(Αυτή η λειτουργία είναι προαιρετική)

Αυτό το αξεσουάρ έχει σχεδιαστεί για να αυξάνει τον ωφέλιμο όγκο των ραφιών πόρτας.

Σας επιτρέπει να τοποθετήσετε εύκολα τα ψηλά μπουκάλια, βάζα και μεταλλικά κουτιά στο κάτω ράφι μπουκαλιών χάρη στη δυνατότητά του να μετακινείται δεξιά ή αριστερά.



5.7. Συρτάρι λαχανικών

Το συρτάρι λαχανικών του προϊόντος έχει σχεδιαστεί ειδικά για να διατηρεί τα λαχανικά φρέσκα χωρίς να χάνουν την υγρασία τους. Για το σκοπό αυτό, η κυκλοφορία κρύου αέρα είναι πιο έντονη γύρω από το συρτάρι λαχανικών γενικά.

5.8. Διαμέρισμα έντονης ψύξης

(Αυτή η λειτουργία είναι προαιρετική)

Χρησιμοποιήστε αυτό το διαμέρισμα για φύλαξη προϊόντων ντελικατέσεν που πρέπει να αποθηκεύονται σε χαμηλότερες θερμοκρασίες ή προϊόντα κρέατος που πρέπει να καταναλώσετε σύντομα.

Το διαμέρισμα έντονης ψύξης είναι η πιο κρύα θέση στη συντήρηση, όπου μπορείτε να φυλάσσετε γαλακτοκομικά, κρέας, ψάρια και πουλερικά σε ιδανικές συνθήκες. Δεν πρέπει να αποθηκεύετε φρούτα και λαχανικά σε αυτό το διαμέρισμα.

5.10. Συρτάρι λαχανικών ελεγχόμενης υγρασίας

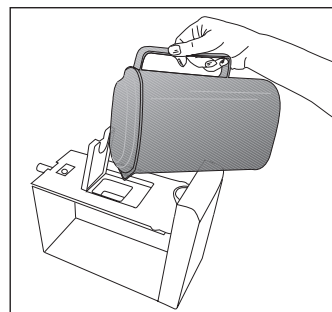
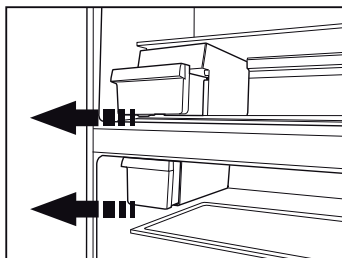
(FreSHelf)

(Αυτή η λειτουργία είναι προαιρετική)

Η περιεκτικότητα σε υγρασία των λαχανικών και των φρούτων διατηρείται υπό έλεγχο με τη δυνατότητα του συρταριού λαχανικών ρυθμιζόμενης υγρασίας. Έτσι διασφαλίζεται ότι τα τρόφιμα διατηρούνται φρέσκα για περισσότερο χρόνο.

Συνιστούμε να τοποθετείτε τα φυλλώδη λαχανικά όπως το μαρούλι, το σπανάκι καθώς και τα λαχανικά που είναι ευαίσθητα στην απώλεια υγρασίας, σε όσο το δυνατόν οριζόντια θέση μέσα στο συρτάρι λαχανικών και όχι πάνω στις ρίζες τους σε κάθετη θέση.

Όταν τοποθετείτε τα λαχανικά, θα πρέπει να λαμβάνετε υπόψη το ειδικό βάρος τους. Τα βαριά και σκληρά λαχανικά πρέπει να τοποθετούνται στο κάτω μέρος του συρταριού λαχανικών και τα ελαφριά και μαλακά λαχανικά πρέπει να τοποθετούνται από πάνω τους.



Ποτέ μην αφήνετε τα λαχανικά μέσα στις σακούλες τους όταν τα τοποθετείτε στο συρτάρι λαχανικών. Αν αφήσετε τα λαχανικά μέσα στις σακούλες τους, αυτό θα τα κάνει να αποσυντεθούν σε μικρό χρονικό διάστημα. Σε περίπτωση που η επαφή με άλλα λαχανικά δεν είναι επιθυμητή για λόγους υγιεινής, χρησιμοποιήστε ένα διάτρητο χαρτί και άλλα παρόμοια υλικά συσκευασίας, εκτός από σακούλα.

Μην τοποθετείτε αχλάδι, βερίκοκο, ροδάκινο κλπ. και μήλα, ειδικά όταν έχουν υψηλά επίπεδα παραγωγής αιθυλενίου, στο ίδιο συρτάρι λαχανικών με άλλα λαχανικά και φρούτα. Το αιθυλένιο που εκπέμπεται από αυτά τα φρούτα μπορεί να επιταχύνει την ωρίμανση των άλλων φρούτων και να τα κάνει να αποσυντεθούν σε μικρότερο χρονικό διάστημα.

5.11. Αυτόματο Icematic

(Αυτή η λειτουργία είναι προαιρετική)

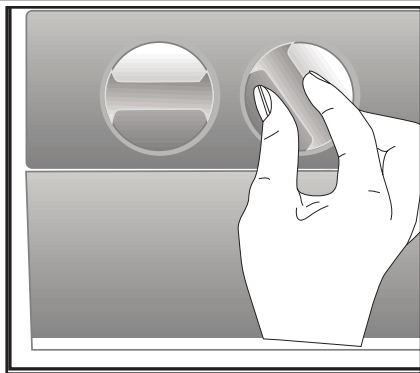
Το Αυτόματο Icematic σας επιτρέπει να παρασκευάσετε εύκολα πάγο στο ψυγείο σας. Αφαιρέστε το δοχείο νερού από το θάλαμο συντήρησης, γεμίστε το με νερό και τοποθετήστε το πάλι στη θέση του για να αποκτήσετε πάγο από το Icematic.

Τα πρώτα παγάκια θα είναι έτοιμα περίπου σε 2 ώρες στο συρτάρι του Icematic που βρίσκεται στο θάλαμο κατάψυξης.

Αν γεμίσετε πλήρως το δοχείο νερού, θα μπορείτε να αποκτήσετε περίπου 60-70 παγάκια. Αλλάζετε το νερό στο δοχείο νερού αν έχει παραμείνει αχρησιμοποίητο περίπου 2-3 εβδομάδες.



Για τα προϊόντα που έχουν αυτόματο Icematic, μπορεί να ακούγεται ήχος κατά την πτώση του πάγου. Ο ήχος είναι κανονικός και δεν είναι ένδειξη βλάβης.



5.12. Περιγραφή και καθαρισμός του φίλτρου οσμών

(Αυτή η λειτουργία είναι προαιρετική)

Το φίλτρο οσμών εμποδίζει το σχηματισμό δυσάρεστων οσμών μέσα στο προϊόν.

1. Τραβήξτε το κάλυμμα του φίλτρου οσμών προς τα κάτω από το μπροστινό τμήμα και αφαιρέστε το όπως δείχνει η εικόνα.
2. Αφήστε το φίλτρο στον ήλιο για μία ημέρα. Σε αυτό το χρονικό διάστημα το φίλτρο θα καθαριστεί.
3. Τοποθετήστε το φίλτρο πάλι πίσω στη θέση του.



Το φίλτρο οσμών πρέπει να καθαρίζεται μία φορά το χρόνο.

5.13. Χρήση του διανομέα νερού

*προαιρετικός εξοπλισμός

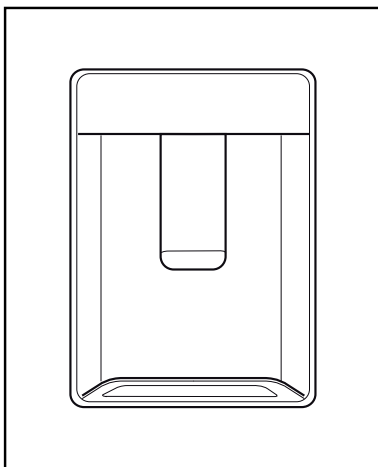


Είναι φυσιολογικό να είναι ζεστά τα πρώτα λίγα ποτήρια νερού που παίρνετε από το διανομέα.



Αν ο διανομέας νερού δεν χρησιμοποιηθεί για πολύ χρόνο, πετάξτε τα πρώτα λίγα ποτήρια νερού για να έχετε φρέσκο νερό.

1. Σπρώξτε με το ποτήρι σας το μοχλό του διανομέα νερού προς τα μέσα. Αν χρησιμοποιείτε μαλακό πλαστικό ποτήρι, θα είναι προτιμότερο να σπρώξετε το μοχλό με το χέρι σας.
2. Αφού γεμίσετε το ποτήρι ως τη στάθμη που θέλετε, ελευθερώστε το μοχλό.



Παρακαλούμε να έχετε υπόψη σας, ότι η ροή του νερού από το διανομέα εξαρτάται από το πόσο πολύ πιέζετε το μοχλό. Καθώς αυξάνεται η στάθμη του νερού στο κύπελλο/ ποτήρι σας, μειώστε απαλά την πίεση στο μοχλό για να αποφύγετε υπερχειλίση. Αν πιέσετε ελαφρά το βραχίονα, το νερό θα στάξει. Αυτό είναι πολύ φυσιολογικό και όχι σύμπτωμα βλάβης.

Χρήση του προϊόντος

5.14. Χρήση του διανομέα νερού

*προαιρετικός εξοπλισμός



Είναι φυσιολογικό να είναι ζεστά τα πρώτα λίγα ποτήρια νερού που παίρνετε από το διανομέα.



Αν ο διανομέας νερού δεν χρησιμοποιηθεί για πολύ χρόνο, πετάξτε τα πρώτα λίγα ποτήρια νερού για να έχετε φρέσκο νερό.

1. Σπρώξτε με το ποτήρι σας το μοχλό του διανομέα νερού προς τα μέσα. Αν χρησιμοποιείτε μαλακό πλαστικό ποτήρι, θα είναι προτιμότερο να σπρώξετε το μοχλό με το χέρι σας.
2. Αφού γεμίσετε το ποτήρι ως τη στάθμη που θέλετε, ελευθερώστε το μοχλό.

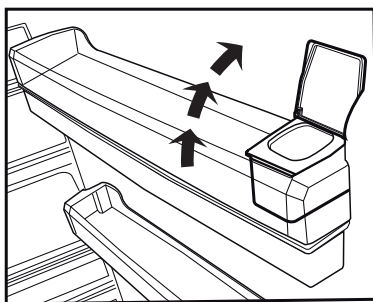
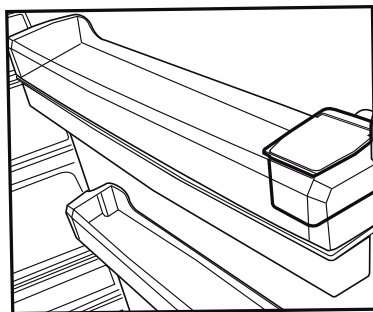


Παρακαλούμε να έχετε υπόψη σας, ότι η ροή του νερού από το διανομέα εξαρτάται από το πόσο πολύ πιέσετε το μοχλό. Καθώς αυξάνεται η στάθμη του νερού στο κύπελλο/ ποτήρι σας, μειώστε απαλά την πίεση στο μοχλό για να αποφύγετε υπερχειλίση. Αν πιέσετε ελαφρά το βραχίονα, το νερό θα στάξει. Αυτό είναι πολύ φυσιολογικό και όχι σύμπτωμα βλάβης.

5.15. Γέμισμα του δοχείου του διανομέα νερού

Το ρεζερβουάρ πλήρωσης του δοχείου νερού βρίσκεται μέσα στην υποδοχή της πόρτας.

1. Ανοίξτε το κάλυμμα του δοχείου.
2. Γεμίστε το δοχείο με φρέσκο πόσιμο νερό.
3. Κλείστε το κάλυμμα.



Μη γεμίσετε το δοχείο νερού με οποιοδήποτε άλλο υγρό εκτός από νερό. Οι χυμοί φρούτων, τα ανθρακούχα αναψυκτικά ή οινοπνευματώδη ποτά, κλπ. δεν είναι κατάλληλα για χρήση στο διανομέα νερού. Ο διανομέας νερού θα υποστεί ανεπανόρθωτη ζημιά αν χρησιμοποιηθούν αυτά τα είδη υγρών. Η εγγύηση δεν καλύπτει χρήσεις αυτού του είδους. Ορισμένες χημικές ουσίες και πρόσθετα που περιέχονται σε αυτά τα είδη ποτών/υγρών μπορεί να προξενήσουν ζημιά στο δοχείο νερού.



Να χρησιμοποιείτε μόνο καθαρό πόσιμο νερό.



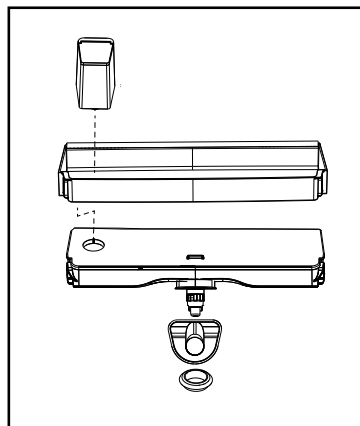
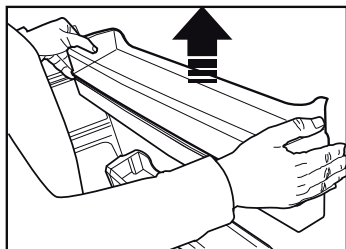
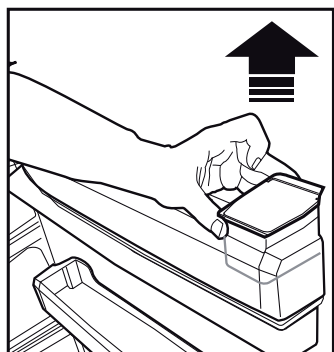
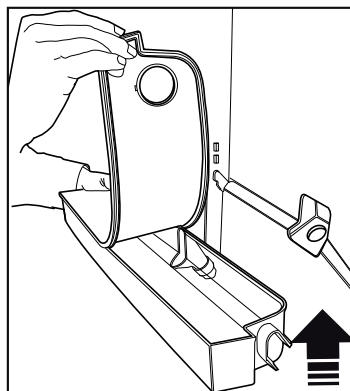
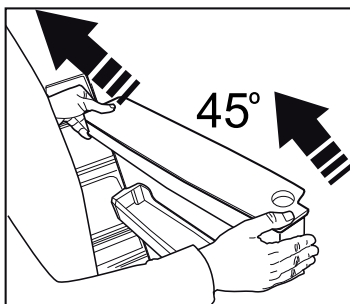
Η χωρητικότητα του δοχείου νερού είναι 3 λίτρα. Μη γεμίζετε το δοχείο υπερβολικά.

5.16. Καθαρισμός του δοχείου νερού

1. Αφαιρέστε το ρεζερβουάρ προσθήκης νερού από μέσα από την υποδοχή πόρτας.
2. Αφαιρέστε την υποδοχή πόρτας κρατώντας την και από τις δύο πλευρές.
3. Πιάστε το δοχείο νερού και από τις δύο πλευρές και αφαιρέστε το υπό γωνία 45°C.
4. Αφαιρέστε το κάλυμμα του δοχείου νερού και καθαρίστε το δοχείο.



Τα μέρη του δοχείου νερού και του διανομέα νερού δεν πρέπει να πλένονται σε πλυντήριο πιάτων.



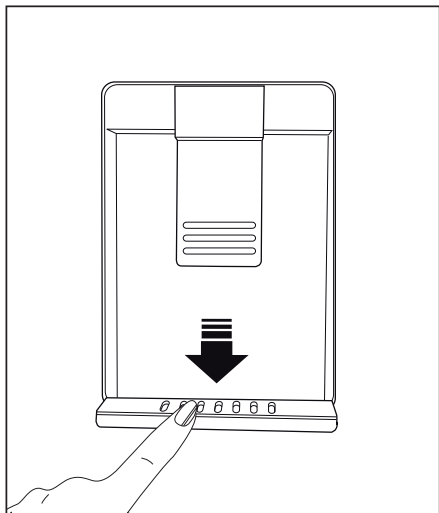
Χρήση του προϊόντος

5.17. Δίσκος συλλογής σταγόνων

Σταγόνες νερού που τυχόν στάζουν ενώ χρησιμοποιείτε το διανομέα νερού συγκεντρώνονται στο δίσκο συλλογής σταγόνων.

Αφαιρέστε το πλαστικό φίλτρο όπως δείχνει η εικόνα.

Με ένα καθαρό και στεγνό πανί, αφαιρέστε το νερό που έχει συσσωρευτεί.



5.18. Κατάψυξη νωπών τροφίμων

- Για να διατηρηθεί η ποιότητα των τροφίμων, τα είδη που τοποθετούνται μέσα στο θάλαμο συντήρησης πρέπει να καταψύχονται όσο το δυνατόν πιο γρήγορα, χρησιμοποιείτε τη λειτουργία ταχείας κατάψυξης.
- Η κατάψυξη των τροφίμων όταν είναι φρέσκα θα επεκτείνει το χρόνο φύλαξης στο θάλαμο κατάψυξης.
- Συσκευάζετε τα τρόφιμα σε αεροστεγείς συσκευασίες και καλά σφραγισμένα.
- Να βεβαιώνετε ότι τα τρόφιμα έχουν συσκευαστεί πριν τοποθετηθούν μέσα στην κατάψυξη. Να χρησιμοποιείτε δοχεία για κατάψυξη, αλουμινόχαρτο και χαρτί μη διαπερατό στην υγρασία, πλαστικές σακούλες ή παρόμοια υλικά συσκευασίας αντί για το παραδοσιακό χαρτί συσκευασίας.
- Αναγράψτε σε κάθε συσκευασία τροφίμων την ημερομηνία πριν την καταψύξετε. Έτσι θα μπορείτε εύκολα να διαπιστώσετε τη φρεσκάδα κάθε πακέτου, κάθε φορά που ανοίγετε την κατάψυξη. Διατηρείτε τα πιο παλιά είδη στο μπροστινό μέρος για να βεβαιωθείτε ότι θα χρησιμοποιηθούν πρώτα.
- Τα κατεψυγμένα τρόφιμα πρέπει να χρησιμοποιούνται αμέσως μετά την απόψυξη και δεν θα πρέπει να καταψύχονται πάλι.
- Μην καταψύχετε μεγάλες ποσότητες τροφίμων ταυτόχρονα.

Χρήση του προϊόντος

5.19. Υποδείξεις για τη φύλαξη κατεψυγμένων τροφίμων

Η θερμοκρασία στο θάλαμο πρέπει να ρυθμιστεί σε τουλάχιστον -18°C .

1. Τοποθετήστε τα τρόφιμα στον καταψύκτη όσο το δυνατόν γρηγορότερα, για να αποφευχθεί η απόψυξη.
2. Πριν τα τοποθετήσετε στην κατάψυξη, ελέγξτε την “Ημερομηνία Λήξης” που αναγράφεται στη συσκευασία για να βεβαιωθείτε ότι δεν έχουν λήξει.
3. Βεβαιωθείτε ότι δεν υπάρχουν ζημιές στη συσκευασία των τροφίμων.

5.20. Λεπτομέρειες για τη βαθιά κατάψυξη

Σύμφωνα με τα πρότυπα IEC 62552, ο θάλαμος κατάψυξης πρέπει να έχει τουλάχιστον τη δυναμικότητα κατάψυξης 4,5 κιλών τροφίμων στους -18°C ή χαμηλότερες θερμοκρασίες σε 24 ώρες για κάθε 100 λίτρα όγκου του θαλάμου κατάψυξης. Τα τρόφιμα μπορούν να διατηρηθούν για παρατεταμένες περιόδους μόνο σε θερμοκρασίες -18°C ή χαμηλότερες. Μπορείτε να διατηρήσετε τα τρόφιμα φρέσκα για μήνες (στη βαθιά κατάψυξη σε ή κάτω από θερμοκρασίες -18°C).

Τα προς κατάψυξη τρόφιμα δεν πρέπει να έρχονται σε επαφή με τα ήδη καταψυγμένα τρόφιμα, για την αποφυγή μερικής απόψυξης των δεύτερων.

Βράστε τα λαχανικά και φιλτράρετε το νερό για να επεκτείνετε το χρόνο φύλαξης των κατεψυγμένων. Τοποθετείτε τα τρόφιμα σε αεροστεγείς συσκευασίες αφού τα φιλτράρετε και τοποθετήστε τα στην κατάψυξη. Μπανάνες, ντομάτες, μαρούλι, σέλινο, βραστά αυγά, πατάτες και παρόμοια τρόφιμα δεν πρέπει να καταψύχονται. Η κατάψυξη αυτών των τροφίμων απλά θα προκαλέσει μείωση της διατροφικής αξίας και της ποιότητας των τροφίμων, καθώς και ενδεχόμενη αλλοίωση που είναι επιβλαβής για την υγεία.

5.21. Τοποθέτηση των τροφίμων

Ράφια θαλάμου κατάψυξης Ράφια θαλάμου	Διάφορα κατεψυγμένα τρόφιμα περιλαμβανομένου κρέατος, ψαριών, παγωτού, λαχανικών κλπ.
συντήρησης Ράφια πόρτας	Τρόφιμα μέσα σε σκεύη, σκεπασμένα πιάτα και σκεπασμένες θήκες, αυγά (σε σκεπασμένες θήκες)
συντήρησης Στυράρι λαχανικών	Μικρά και συσκευασμένα τρόφιμα ή ποτά
θαλάμου	Φρούτα και λαχανικά
Διαμέρισμα νωπών τροφίμων	Ντελικάτσεν (είδη πρωινού, προϊόντα κρέατος για άμεση κατανάλωση)

5.22. Ειδοποίηση ανοικτής πόρτας (προαιρ.)

Θα ακουστεί μια ηχητική ειδοποίηση αν η πόρτα του προϊόντος παραμείνει ανοικτή για 1 λεπτό. Η ηχητική ειδοποίηση θα σταματήσει όταν κλείσετε την πόρτα ή πατήσετε οποιοδήποτε κουμπί στην οθόνη (αν διατίθεται).

5.23. Εσωτερικό φως

Για το εσωτερικό φως χρησιμοποιείται μια λάμπα τύπου LED. Για οποιαδήποτε προβλήματα με αυτή τη λάμπα απευθυνθείτε στο εξουσιοδοτημένο σέρβις.

Χρήση του προϊόντος

Ρύθμιση θαλάμου Κατάψυξης	Ρύθμιση θαλάμου Συντήρησης	Περιγραφές
-18°C	4°C	Αυτή είναι η προεπιλεγμένη, συνιστώμενη ρύθμιση.
-20, -22 ή -24°C	4°C	Αυτές οι ρυθμίσεις συνιστώνται για θερμοκρασίες περιβάλλοντος που δεν υπερβαίνουν τους 30°C.
Hızlı Dondur	4°C	Χρησιμοποιείτε αυτή τη ρύθμιση για να καταψύξετε τρόφιμα σε σύντομο χρόνο, το προϊόν θα επανέλθει στις προηγούμενες ρυθμίσεις όταν ολοκληρωθεί η διαδικασία.
-18°C ή χαμηλότερη θερμοκρασία	2°C	Χρησιμοποιείτε αυτές τις ρυθμίσεις αν πιστεύετε ότι ο θάλαμος συντήρησης δεν είναι αρκετά κρύος, λόγω της θερμοκρασίας περιβάλλοντος ή συχνού ανοίγματος της πόρτας. Ψυγείο / Οδηγίες Χρήσης

5.24. Μπλε φως/HarvestFresh

***Ενδέχεται να μη διατίθεται σε όλα τα μοντέλα**

Για το μπλε φως,

Τα φρούτα και λαχανικά που έχουν αποθηκευτεί στα συρτάρια λαχανικών που φωτίζονται με μπλε φως συνεχίζουν τη φωτοσύνθεσή τους λόγω της επίδρασης του μήκους κύματος του μπλε φωτός και έτσι διατηρούν το περιεχόμενό τους σε βιταμίνες.

Για το HarvestFresh,

Τα φρούτα και λαχανικά που έχουν αποθηκευτεί σε συρτάρια λαχανικών που φωτίζονται με τεχνολογία HarvestFresh διατηρούν τις βιταμίνες τους για μεγαλύτερο χρονικό διάστημα χάρη στους κύκλους με μπλε, πράσινο, κόκκινο φως και σκοτάδι, που μιμούνται έναν ημερήσιο κύκλο.

Αν ανοίξετε την πόρτα του ψυγείου κατά τη σκοτεινή περίοδο της τεχνολογίας HarvestFresh, το ψυγείο θα το ανιχνεύσει αυτόματα και θα ενεργοποιήσει το μπλε-πράσινο ή κόκκινο φως για να φωτίσει το συρτάρι λαχανικών για διευκόλυνσή σας. Αφού κλείσετε την πόρτα του ψυγείου, η σκοτεινή περίοδος θα συνεχιστεί, αντιπροσωπεύοντας τη νύχτα σε έναν ημερήσιο κύκλο.

5.25. Το διαμέρισμα γαλακτοκομικών (έντονης ψύξης)"

παρέχει χαμηλότερη θερμοκρασία μέσα στον θάλαμο συντήρησης. Χρησιμοποιείτε αυτό το διαμέρισμα για φύλαξη αλλαντικών και άλλων ευπαθών τροφίμων (σαλάμι, λουκάνικα, γαλακτοκομικά κλπ.) που χρειάζονται χαμηλότερη θερμοκρασία φύλαξης ή κρέατος, κοτόπουλου ή ψαριών που προορίζονται για άμεση κατανάλωση. Μη φυλάσσετε φρούτα και λαχανικά σε αυτό το διαμέρισμα.

6 Συντήρηση και καθαρισμός

Ο τακτικός καθαρισμός του προϊόντος θα επιμηκύνει την ωφέλιμη διάρκεια ζωής του.



ΠΡΟΕΙΔΟΠΟΙΗΣΗ: Αποσυνδέστε το ψυγείο από το ρεύμα δικτύου πριν τον καθαρισμό.

- Μη χρησιμοποιείτε εργαλεία που είναι αιχμηρά ή χαράζουν, σαπουνί, οικιακά καθαριστικά, απορρυπαντικά, αέριο, βενζίνη, αραιωτικά και παρόμοιες ουσίες για τον καθαρισμό.
- Σε προϊόντα που δεν είναι No Frost, στο πίσω τοίχωμα του θαλάμου συντήρησης σχηματίζονται σταγόνες και πάχνη πάχους έως ενός δακτύλου. Μην καθαρίζετε και μην απλώνετε λάδι ή παρόμοια υλικά.
- Χρησιμοποιείτε μόνο ελαφρώς υγρά πανιά μικροϊνών για τον καθαρισμό της εξωτερικής επιφάνειας του προϊόντος. Οι σπόγγοι και άλλοι τύποι πανιών καθαρισμού μπορεί να χαράζουν την επιφάνεια.
- Διαλύστε μια κουταλιά του γλυκού μαγειρικής σόδας σε νερό. Υγράνετε στο νερό αυτό ένα πανί και στύψτε το. Σκουπίστε τη συσκευή με αυτό το πανί και στεγνώστε το σχολαστικά.
- Προσέξτε να κρατήσετε το νερό μακριά από το κάλυμμα της λάμπας και άλλα ηλεκτρικά εξαρτήματα.
- Καθαρίστε την πόρτα χρησιμοποιώντας ένα υγρό πανί. Αφαιρέστε όλα τα είδη μέσα από το ψυγείο για να αφαιρέσετε την πόρτα και τα ράφια των θαλάμων. Ανυψώστε τα ράφια πόρτας για να τα αποσυνδέσετε. Καθαρίστε και στεγνώστε τα ράφια, και κατόπιν επανατοποθετήστε τα συρτά από το πάνω μέρος.

- Μη χρησιμοποιείτε χλωρίνη ή καθαριστικά προϊόντα στην εξωτερική επιφάνεια και στα επιχρωμιωμένα μέρη του προϊόντος. Η χλωρίνη θα προκαλέσει σκουριά σε τέτοιες μεταλλικές επιφάνειες.
- Μη χρησιμοποιείτε εργαλεία που κόβουν και χαράζουν ή σαπουνί, οικιακά καθαριστικά, απορρυπαντικά βενζίνη, βενζόλιο, κεριά κλπ, διαφορετικά οι στάμπες στα πλαστικά εξαρτήματα θα σβήσουν και θα προκύψει παραμόρφωση. Για τον καθαρισμό χρησιμοποιήστε χλιαρό νερό και ένα μαλακό πανί και σκουπίστε για να στεγνώσει.

6.1. Αποτροπή δυσάρεστων οσμών

Το προϊόν κατασκευάζεται χωρίς υλικά που αναδίδουν οσμές. Ωστόσο, η φύλαξη των τροφίμων σε ακατάλληλα τμήματα και ο ακατάλληλος καθαρισμός των εσωτερικών επιφανειών μπορεί να έχει ως αποτέλεσμα ανάπτυξη δυσάρεστων οσμών.

Για να το αποφύγετε αυτό, καθαρίζετε το εσωτερικό με διάλυμα μαγειρικής σόδας σε νερό κάθε 15 ημέρες.

- Να διατηρείτε τα τρόφιμα σε κλειστά δοχεία. Από τα μη σφραγισμένα τρόφιμα μπορεί να εξαπλωθούν μικροοργανισμοί και να προκληθούν δυσάρεστες οσμές.
- Μην τοποθετείτε μέσα στο ψυγείο ληγμένα και αλλοιωμένα τρόφιμα.

6.2. Προστασία των πλαστικών επιφανειών

Αν χυθεί λάδι στις πλαστικές επιφάνειες μπορεί να προκληθεί ζημιά στην επιφάνεια και πρέπει να καθαρίζονται άμεσα με χλιαρό νερό.

6.3. Τζάμια πόρτας

- Αυτά τα τζάμια είναι σκληρυμένα για να αυξηθεί η ανθεκτικότητά τους σε κτυπήματα και θραύση.
- Επίσης, στην πίσω επιφάνειά τους έχει εφαρμοστεί μια μεμβράνη ασφαλείας, ως πρόσθετο μέτρο ασφαλείας, για να αποτρέψει την πρόκληση ζημιάς από τα τζάμια στα γύρω αντικείμενα σε περίπτωση θραύσης.
- Αφαιρέστε την προστατευτική μεμβράνη από τα τζάμια.
- Υπάρχει μια επικάλυψη στην επιφάνεια των τζαμιών. Αυτή η επικάλυψη ελαχιστοποιεί τη συσσώρευση λεκέδων και βοηθά να αφαιρούνται εύκολα ενδεχόμενοι λεκέδες και ρύποι. Τα τζάμια που δεν προστατεύονται από τέτοια επικάλυψη μπορεί να υπόκεινται σε επίμονη προσκόλληση οργανικών ή ανόργανων ρύπων βάσης αέρα ή νερού, όπως άλατα σκληρότητας, ανόργανα άλατα, άκαυστους υδρογονάνθρακες, μεταλλικά οξειδία και σιλικόνες, τα οποία μπορούν να προκαλέσουν εύκολα και γρήγορα λεκέδες ή υλική ζημιά. Η διατήρηση της καθαριότητας των τζαμιών γίνεται υπερβολικά δύσκολη παρά τον τακτικό καθαρισμό. Επομένως, υποβαθμίζεται η εμφάνιση και η διαφάνεια του τζαμιού. Οι σκληρές και διαβρωτικές μέθοδοι καθαρισμού και τα παρόμοια καθαριστικά θα επιδεινώσουν αυτά τα προβλήματα και θα επιταχύνουν την υποβάθμιση.
- Για τον τακτικό καθαρισμό πρέπει να χρησιμοποιούνται καθαριστικά προϊόντα βάσης νερού τα οποία δεν είναι αλκαλικά και διαβρωτικά.
- Για τον καθαρισμό πρέπει να χρησιμοποιούνται μη αλκαλικά και μη διαβρωτικά υλικά ώστε να διατηρηθεί για μεγάλο χρονικό διάστημα η ωφέλιμη ζωή αυτής της επικάλυψης.
- Αυτά τα τζάμια είναι σκληρυμένα για να αυξηθεί η ανθεκτικότητά τους σε κτυπήματα και θραύση.
- Επίσης, στην πίσω επιφάνειά τους έχει εφαρμοστεί μια μεμβράνη ασφαλείας, ως πρόσθετο μέτρο ασφαλείας, για να αποτρέψει την πρόκληση ζημιάς από τα τζάμια στα γύρω αντικείμενα σε περίπτωση θραύσης.
- *Το άλκαλι είναι μια βάση η οποία σχηματίζει ιόντα υδροξυλίου (OH^-) όταν διαλύεται σε νερό.
- Τα μέταλλα Li (λίθιο), Na (νάτριο), K (κάλιο), Rb (ρουβίδιο), Cs (καίσιο) και το τεχνητό και ραδιενεργό μέταλλο Fr (φράγκιο) ονομάζονται ΑΛΚΑΛΙΚΑ ΜΕΤΑΛΛΑ.

7 Επίλυση προβλημάτων

Ελέγξτε αυτή τη λίστα πριν απευθυνθείτε στο σέρβις. Αν το κάνετε αυτό θα εξοικονομήσετε χρόνο και χρήματα. Αυτή η λίστα περιλαμβάνει συχνά παράπονα που δεν έχουν σχέση με ελαττωματική εργασία ή υλικά. Ορισμένες λειτουργίες που αναφέρονται εδώ ίσως να μην έχουν εφαρμογή στο προϊόν σας.

Το ψυγείο δεν λειτουργεί.

- Το φινι ρευματοληψίας δεν έχει εισαχθεί πλήρως. >>> *Συνδέστε το ώστε να εισέλθει πλήρως στην πρίζα.*
- Έχει καεί η ασφάλεια που συνδέεται στην πρίζα που τροφοδοτεί το προϊόν ή η γενική ασφάλεια. >>> *Ελέγξτε τις ασφάλειες.*

Συμπύκνωση στο πλευρικό τοίχωμα του θαλάμου συντήρησης (MULTI ZONE, COOL, CONTROL και FLEXI ZONE).

- Η πόρτα ανοιγόταν πολύ συχνά >>> *Προσέξτε να μην ανοίγετε πολύ συχνά την πόρτα του προϊόντος.*
- Το περιβάλλον είναι πολύ υγρό. >>> *Μην εγκαταστήσετε το προϊόν σε υγρό περιβάλλον.*
- Τρόφιμα που περιέχουν υγρά φυλάσσονται σε ανοικτά δοχεία. >>> *Να διατηρείτε τα τρόφιμα που περιέχουν υγρά σε κλειστά δοχεία.*
- Η πόρτα του προϊόντος έχει μείνει ανοικτή. >>> *Μην κρατάτε την πόρτα του προϊόντος ανοικτή για πολλή ώρα.*
- Ο θερμοστάτης έχει ρυθμιστεί σε πολύ χαμηλή θερμοκρασία. >>> *Ρυθμίστε το θερμοστάτη σε κατάλληλη θερμοκρασία.*

Ο συμπιεστής δεν λειτουργεί.

- Σε περίπτωση αιφνίδιας διακοπής ρεύματος ή απουσίας του φινι ρευματοληψίας από την πρίζα και επανασύνδεσής του, η πίεση αερίου στο ψυκτικό σύστημα του προϊόντος δεν είναι ισορροπημένη, με αποτέλεσμα να ενεργοποιείται η θερμική προστασία του συμπιεστή. Το προϊόν θα αρχίσει πάλι να λειτουργεί μετά από περίπου 6 λεπτά. Αν η λειτουργία του προϊόντος δεν ξεκινήσει πάλι μετά από αυτό το χρονικό διάστημα, απευθυνθείτε στο σέρβις.
- Η απόψυξη είναι ενεργή. >>> *Αυτό είναι φυσιολογικό για προϊόν με πλήρως αυτόματη απόψυξη. Η απόψυξη διενεργείται περιοδικά.*
- Το προϊόν δεν έχει συνδεθεί στην πρίζα. >>> *Βεβαιωθείτε ότι έχει συνδεθεί το καλώδιο ρεύματος.*
- Η ρύθμιση θερμοκρασίας είναι λανθασμένη. >>> *Επιλέξτε την κατάλληλη ρύθμιση θερμοκρασίας.*
- Έγινε διακοπή ρεύματος. >>> *Το προϊόν θα συνεχίσει να λειτουργεί κανονικά όταν αποκατασταθεί το ρεύμα.*

Ο θόρυβος λειτουργίας του ψυγείου αυξάνεται κατά τη χρήση.

- Η απόδοση λειτουργίας του προϊόντος μπορεί να διαφέρει ανάλογα με τις μεταβολές της θερμοκρασίας περιβάλλοντος. Αυτό είναι φυσιολογικό και δεν αποτελεί δυσλειτουργία.

Επίλυση προβλημάτων

Το ψυγείο τίθεται σε λειτουργία πολύ συχνά ή όχι για πολύ χρόνο.

- Το νέο προϊόν μπορεί να είναι μεγαλύτερο από το προηγούμενο. Τα μεγαλύτερα προϊόντα θα λειτουργούν για μεγαλύτερη χρονική διάρκεια.
- Η θερμοκρασία του δωματίου μπορεί να είναι υψηλή. >>> *Το προϊόν κανονικά θα λειτουργεί για μεγαλύτερα χρονικά διαστήματα για μεγαλύτερη θερμοκρασία δωματίου.*
- Το προϊόν μπορεί να έχει συνδεθεί πρόσφατα στην πρίζα ή μπορεί να τοποθετήθηκαν νέα τρόφιμα στο εσωτερικό του. >>> *Θα χρειαστεί περισσότερος χρόνος για να φθάσει το προϊόν τη ρυθμισμένη θερμοκρασία όταν έχει συνδεθεί πρόσφατα στην πρίζα ή τοποθετήθηκαν νέα τρόφιμα στο εσωτερικό του. Αυτό είναι φυσιολογικό.*
- Μπορεί να τοποθετήθηκαν πρόσφατα μεγάλες ποσότητες θερμών τροφίμων μέσα στο προϊόν. >>> *Μην τοποθετείτε μέσα στο προϊόν ζεστά τρόφιμα.*
- Οι πόρτες ανοίγονταν συχνά ή διατηρήθηκαν ανοικτές για μεγάλες χρονικές περιόδους. >>> *Ο ζεστός αέρας που εισέρχεται στο εσωτερικό του, θα κάνει το προϊόν να λειτουργεί για περισσότερο χρόνο. Μην ανοίγετε τις πόρτες πολύ συχνά.*
- Η πόρτα κατάψυξης ή συντήρησης μπορεί να είναι μισάνοιχτη. >>> *Ελέγξτε ότι οι πόρτες έχουν κλείσει καλά.*
- Το προϊόν μπορεί να έχει ρυθμιστεί σε πολύ χαμηλή θερμοκρασία. >>> *Ρυθμίστε τη θερμοκρασία σε υψηλότερη θερμοκρασία και περιμένετε να επιτύχει το προϊόν τη ρυθμισμένη θερμοκρασία.*
- Η στεγανοποίηση της πόρτας συντήρησης ή κατάψυξης μπορεί να είναι λερωμένη, φθαρμένη, σπασμένη ή να μην εδράζει σωστά. >>> *Καθαρίστε ή αντικαταστήστε τη στεγανοποίηση. Αν η στεγανοποίηση της πόρτας έχει υποστεί ζημιά / φθορά, το προϊόν θα λειτουργεί για μεγαλύτερες περιόδους για να διατηρήσει την τρέχουσα θερμοκρασία.*

Η θερμοκρασία κατάψυξης είναι πολύ χαμηλή, αλλά η θερμοκρασία της συντήρησης είναι επαρκής.

- Η θερμοκρασία του θαλάμου κατάψυξης έχει ρυθμιστεί σε πολύ μικρή τιμή. >>> *Ρυθμίστε τη θερμοκρασία του θαλάμου κατάψυξης σε υψηλότερη τιμή και ελέγξτε πάλι.*

Η θερμοκρασία συντήρησης είναι πολύ χαμηλή, αλλά η θερμοκρασία της κατάψυξης είναι επαρκής.

- Η θερμοκρασία του θαλάμου συντήρησης έχει ρυθμιστεί σε πολύ μικρή τιμή. >>> *Ρυθμίστε τη θερμοκρασία του θαλάμου συντήρησης σε υψηλότερη τιμή και ελέγξτε πάλι.*

Τα τρόφιμα που φυλάσσονται στα συρτάρια του θαλάμου συντήρησης είναι παγωμένα.

- Η θερμοκρασία του θαλάμου συντήρησης έχει ρυθμιστεί σε πολύ μικρή τιμή. >>> *Ρυθμίστε τη θερμοκρασία του θαλάμου κατάψυξης σε υψηλότερη τιμή και ελέγξτε πάλι.*

Επίλυση προβλημάτων

Η θερμοκρασία στη συντήρηση ή κατάψυξη είναι πολύ υψηλή.

- Η θερμοκρασία του θαλάμου συντήρησης έχει ρυθμιστεί σε πολύ υψηλή τιμή. >>> *Η ρύθμιση της θερμοκρασίας θαλάμου συντήρησης επηρεάζει τη θερμοκρασία θαλάμου κατάψυξης. Αλλάξτε τη θερμοκρασία του θαλάμου συντήρησης ή κατάψυξης και περιμένετε έως ότου οι αντίστοιχοι θάλαμοι έχουν επιτύχει το ρυθμισμένο επίπεδο θερμοκρασίας.*
- Οι πόρτες ανοίγονταν συχνά ή διατηρήθηκαν ανοικτές για μεγάλες χρονικές περιόδους. >>> *Μην ανοίγετε τις πόρτες πολύ συχνά.*
- Η πόρτα μπορεί να είναι μισάνοιχτη. >>> *Κλείστε τελείως την πόρτα.*
- Το προϊόν μπορεί να έχει συνδεθεί πρόσφατα στην πρίζα ή μπορεί να τοποθετήθηκαν νέα τρόφιμα στο εσωτερικό του. >>> *Αυτό είναι φυσιολογικό. Θα χρειαστεί περισσότερος χρόνος για να φθάσει το προϊόν τη ρυθμισμένη θερμοκρασία όταν έχει συνδεθεί πρόσφατα στην πρίζα ή τοποθετήθηκαν νέα τρόφιμα στο εσωτερικό του.*
- Μπορεί να τοποθετήθηκαν πρόσφατα μεγάλες ποσότητες θερμών τροφίμων μέσα στο προϊόν. >>> *Μην τοποθετείτε μέσα στο προϊόν ζεστά τρόφιμα.*

Ταλάντευση ή θόρυβος

- Το δάπεδο δεν είναι επίπεδο, οριζόντιο και ανθεκτικό. >>> *Αν το προϊόν ταλαντεύεται όταν το μετακινείτε αργά, ρυθμίστε τα πόδια για να ισορροπήσετε το προϊόν. Επίσης βεβαιωθείτε ότι το δάπεδο έχει αρκετή φέρουσα ικανότητα ώστε να αντέχει το προϊόν.*
- Οποιαδήποτε είδη έχουν τοποθετηθεί πάνω στο προϊόν μπορεί να προκαλέσουν θόρυβο. >>> *Αφαιρέστε οποιαδήποτε είδη έχουν τοποθετηθεί πάνω στο προϊόν.*

Το προϊόν παράγει θόρυβο ροής ή ψεκασμού υγρού κλπ.

- Οι αρχές λειτουργίας του προϊόντος περιλαμβάνουν ροή υγρού και αερίου. >>> *Αυτό είναι φυσιολογικό και δεν αποτελεί δυσλειτουργία.*

Ακούγεται φύσημα αέρα από το προϊόν.

- Το προϊόν χρησιμοποιεί έναν ανεμιστήρα για τη διαδικασία ψύξης. Αυτό είναι φυσιολογικό και δεν αποτελεί δυσλειτουργία.

Υπάρχει συμπίκνωση στα εσωτερικά τοιχώματα του προϊόντος.

- Ο θερμός ή υγρός καιρός μπορεί να αυξήσει τη συσσώρευση πάγου και τη συμπίκνωση. Αυτό είναι φυσιολογικό και δεν αποτελεί δυσλειτουργία.
- Οι πόρτες ανοίγονταν συχνά ή διατηρήθηκαν ανοικτές για μεγάλες χρονικές περιόδους. >>> *Μην ανοίγετε τις πόρτες πολύ συχνά, αν κάποια πόρτα είναι ανοικτή, κλείστε την.*
- Η πόρτα μπορεί να είναι μισάνοιχτη. >>> *Κλείστε τελείως την πόρτα.*

Υπάρχει συμπίκνωση στα εξωτερικά τοιχώματα του προϊόντος ή ανάμεσα στις πόρτες.

- Ο καιρός μπορεί να είναι υγρός, αυτό είναι πολύ φυσιολογικό σε κρύο καιρό. >>> *Η συμπίκνωση θα πάψει όταν μειωθεί η υγρασία.*

Δυσσομία στο εσωτερικό.

- Το προϊόν δεν καθαρίζεται τακτικά. >>> *Καθαρίζετε το εσωτερικό τακτικά με σφουγγάρι, χλιαρό νερό και διάλυμα μαγειρικής σόδας σε νερό.*
- Ορισμένες συσκευασίες και υλικά συσκευασίας μπορεί να παράγουν οσμές. >>> *Χρησιμοποιείτε δοχεία και υλικά συσκευασίας που δεν παράγουν οσμές.*
- Τα τρόφιμα τοποθετήθηκαν σε μη σφραγισμένα δοχεία. >>> *Να διατηρείτε τα τρόφιμα σε σφραγισμένα δοχεία. Από τα μη σφραγισμένα τρόφιμα μπορεί να προκληθούν δυσάρεστες οσμές.*
- Απομακρύνετε από το προϊόν τυχόν τρόφιμα που έχουν λήξει ή αλλοιωθεί.

Επίλυση προβλημάτων

Η πόρτα δεν κλείνει.

- Οι συσκευασίες των τροφίμων μπορεί να εμποδίζουν την πόρτα. >>> *Αλλάξτε θέση σε τυχόν είδη που εμποδίζουν τις πόρτες.*
- Το προϊόν δεν στέκεται σε τελείως όρθια θέση στο δάπεδο. >>> *Ρυθμίστε τα πόδια για να ισορροπήσετε σωστά το προϊόν.*
- Το δάπεδο δεν είναι επίπεδο, οριζόντιο και ανθεκτικό. >>> *Βεβαιωθείτε ότι το δάπεδο είναι επίπεδο και οριζόντιο και αρκετά ανθεκτικό για το βάρος του προϊόντος.*

Το συρτάρι λαχανικών έχει σφηνώσει.

- Τα τρόφιμα μπορεί να έρχονται σε επαφή με το άνω τμήμα του συρταριού. >>> *Αναδιοργανώστε τα τρόφιμα μέσα στο συρτάρι.*

Αν Η Επιφάνεια Του Προϊόντος Είναι Θερμη.

- Ενδέχεται να παρατηρηθούν υψηλές θερμοκρασίες ανάμεσα στις δύο πόρτες, στα πλευρικά πλαίσια και στην πίσω σχάρα κατά τη λειτουργία του προϊόντος. Αυτό είναι φυσιολογικό και το προϊόν δεν χρειάζεται συντήρηση! Προσοχή όταν αγγίζετε αυτές τις επιφάνειες.



ΠΡΟΕΙΔΟΠΟΙΗΣΗ: Αν το πρόβλημα επιμένει αφού ακολουθήσετε τις οδηγίες σε αυτή την ενότητα, απευθυνθείτε στο κατάστημα αγοράς ή σε Εξουσιοδοτημένο σέρβις. Μην επιχειρήσετε να επισκευάσετε μόνοι σας το προϊόν.

ΑΠΟΠΟΙΗΣΗ ΕΥΘΥΝΗΣ / ΠΡΟΕΙΔΟΠΟΙΗΣΗ

Ορισμένα (απλά) προβλήματα μπορούν να αντιμετωπιστούν ικανοποιητικά από τον τελικό χρήστη χωρίς να προκύπτει κάποιο πρόβλημα ασφάλειας ή μη ασφαλής χρήση, εφόσον οι διορθωτικές ενέργειες πραγματοποιούνται μέσα στα όρια και σύμφωνα με τις οδηγίες που ακολουθούν (δείτε την ενότητα "Εξ ιδίων επισκευή").

Επομένως, εκτός αν επιτρέπεται διαφορετικά στην παρακάτω ενότητα "Εξ ιδίων επισκευή", οι επισκευές θα πρέπει να ανατίθενται σε αναγνωρισμένους επαγγελματίες τεχνικούς επισκευών, ώστε να αποφεύγονται προβλήματα με την ασφάλεια. Ένας αναγνωρισμένος επαγγελματίας τεχνικός επισκευών είναι ένας επαγγελματίας τεχνικός επισκευών στον οποίο έχει δοθεί από τον κατασκευαστή πρόσβαση στις οδηγίες και στη λίστα ανταλλακτικών του προϊόντος σύμφωνα με τις μεθόδους που περιγράφονται σε νομοθετικές πράξεις με βάση την Οδηγία 2009/125/ΕΚ.

Ωστόσο, μόνο ο εκπρόσωπος σέρβις (δηλ. εξουσιοδοτημένοι επαγγελματίες τεχνικοί επισκευών) με τον οποίο μπορείτε να επικοινωνήσετε μέσω του αριθμού τηλεφώνου που αναφέρεται στο εγχειρίδιο χρήσης/στην κάρτα εγγύησης ή μέσω του τοπικού σας εξουσιοδοτημένου καταστήματος μπορεί να παρέχει σέρβις σύμφωνα με τους όρους της εγγύησης. Επομένως, έχετε υπόψη σας ότι οι επισκευές από επαγγελματίες τεχνικούς επισκευών (οι οποίοι δεν είναι εξουσιοδοτημένοι από τη Beko) θα καταστήσουν άκυρη την εγγύηση.

Εξ ιδίων επισκευή

Εξ ιδίων επισκευή μπορεί να γίνει από τον τελικό χρήστη σε σχέση με τα εξής ανταλλακτικά: λαβές πόρτας, μεντεσέδες πόρτας, δίσκους, καλάθια, και στεγανοποιήσεις πόρτας (μια ενημερωμένη λίστα είναι διαθέσιμη και στο support.beko.com από 1η Μαρτίου 2021).

Επιπλέον, για τη διασφάλιση της ασφάλειας των προϊόντων και για την αποτροπή κινδύνου σοβαρού τραυματισμού, η αναφερθείσα εξ ιδίων επισκευή θα γίνεται με τήρηση των οδηγιών στο εγχειρίδιο χρήστη σχετικά με την εξ ιδίων επισκευή ή των οδηγιών που είναι διαθέσιμες στο support.beko.com. Για την ασφάλειά σας, αποσυνδέστε από την πρίζα το προϊόν πριν επιχειρήσετε οποιαδήποτε εξ ιδίων επισκευή.

Επισκευή και προσπάθειες επισκευής από τελικούς χρήστες για εξαρτήματα που δεν περιλαμβάνονται σε μια τέτοια λίστα και/ή χωρίς τήρηση των οδηγιών στα εγχειρίδια χρήστη για εξ ιδίων επισκευή ή οι οποίες είναι διαθέσιμες στο support.beko.com, μπορεί να δημιουργήσουν προβλήματα ασφάλειας που δεν μπορούν να αποδοθούν στη Beko, και θα ακυρώσουν την εγγύηση του προϊόντος. Επομένως, συνιστάται θερμά οι τελικοί χρήστες να απέχουν από προσπάθειες διενέργειας επισκευών που δεν εμπύπουν στην αναφερθείσα λίστα ανταλλακτικών, απευθυνόμενοι σε αυτές τις περιπτώσεις σε εξουσιοδοτημένους επαγγελματίες τεχνικούς επισκευών ή σε αναγνωρισμένους επαγγελματίες τεχνικούς επισκευών. Αντιθέτως, τέτοιου είδους προσπάθειες από τελικούς χρήστες μπορεί να προκαλέσουν προβλήματα ασφάλειας και να προξενήσουν ζημιά στο προϊόν και συνεπώς να προκαλέσουν πυρκαγιά, πλημμύρα, ηλεκτροπληξία και σοβαρό τραυματισμό.

Για παράδειγμα, αλλά χωρίς περιορισμό σε αυτές, οι ακόλουθες επισκευές πρέπει να ανατίθενται σε εξουσιοδοτημένους επαγγελματίες τεχνικούς επισκευών ή σε αναγνωρισμένους επαγγελματίες τεχνικούς επισκευών: συμπίεστής, ψυκτικό κύκλωμα, κύρια πλακέτα, πλακέτα αντιστροφεία, πλακέτα οθόνης κλπ. Ο κατασκευαστής/πωλητής δεν μπορεί να θεωρηθεί υπεύθυνος σε καμία περίπτωση μη συμμόρφωσης των τελικών χρηστών με τα οριζόμενα παραπάνω.

Ο χρόνος διαθεσιμότητας ανταλλακτικών για το ψυγείο ψυγείου σας ανέρχεται σε 10 έτη.

Στη διάρκεια αυτής της περιόδου, θα υπάρχουν διαθέσιμα γνήσια ανταλλακτικά για τη σωστή λειτουργία του ψυγείου. Η ελάχιστη διάρκεια της εγγύησης του ψυγείου που προμηθευτήκατε είναι 24 μήνες.

Gentile cliente,

ci piacerebbe che lei potesse raggiungere un livello di efficacia ottimale dal nostro prodotto, che è stato realizzato in una struttura moderna, adottando controlli meticolosi a livello qualitativo.

A tal fine la invitiamo a leggere con attenzione il manuale dell'utente prima di iniziare a servirsi del dispositivo. La invitiamo altresì a conservare il presente manuale per poterlo consultare in futuro. Qualora dovesse cedere il prodotto a terzi, consigliamo di accludere il presente manuale.

Il manuale dell'utente garantisce un utilizzo veloce e sicuro dell'apparecchiatura.

- Consigliamo di leggere il manuale dell'utente prima di installare e mettere in funzione l'apparecchiatura.
- Rispettare sempre le istruzioni di sicurezza.
- Consigliamo di tenere la guida dell'utente a portata di mano per poterla consultare in futuro.
- La invitiamo a leggere gli altri eventuali documenti forniti con l'apparecchiatura

Ricordi che questo manuale può riferirsi a diversi modelli. Il manuale indica chiaramente le eventuali variazioni da un modello all'altro.

Simboli e note

Nel manuale sono utilizzati i seguenti simboli:

	Informazioni importanti e consigli utili.
	Rischio di vita e proprietà.
	Rischio di scosse elettriche.
	L'imballaggio del prodotto è fatto di materiali riciclabili, in conformità con la Normativa Ambientale Nazionale.



INFORMAZIONI



SUPPLIER'S NAME

MODEL IDENTIFIER

(*)

A

A

Le informazioni sul modello memorizzate nella banca dati dei prodotti possono essere consultate sul seguente sito web, cercando l'identificativo del modello (*) presente sull'etichetta energetica.

<https://eprel.ec.europa.eu/>

1. Istruzioni relative a sicurezza e ambiente	3	5.11. Modulo deodorizzatore	18
1.1 Norme di sicurezza generali	3	5.12. Macchina del ghiaccio automatica	19
1.1.1 Avvertenza HC.	4	(Questa funzione è opzionale).	19
1.1.2 Per i modelli con la fontana d'acqua.	5	5.13. HerbBox/HerbFresh	19
1.2 Impiego conforme allo scopo previsto	5	5.14. Icematic e contenitore per conservare il ghiaccio.	20
1.3 Sicurezza bambini	5	(Questa funzione è opzionale)	20
1.4 Conformità con la Direttiva WEEE e smaltimento dei prodotti di scarico.	5	5.15. Erogatore d'acqua	20
1.5 Conformità con la direttiva RoHS.	6	5.16. Uso dell'erogatore d'acqua.	21
1.6 Informazioni sull'imballaggio.	6	5.17. Pulizia del serbatoio dell'acqua	22
2 Frigorifero	7	5.18. Vaschetta per l'acqua.	23
3. Installazione	8	5.19. Consigli per conservare alimenti surgelati	24
3.1 Luogo idoneo per l'installazione.	8	5.20. Dettagli congelatore	24
3.2 Prima di avviare il frigorifero	8	5.21. Posizionamento degli alimenti.	25
3.3 Collegamenti elettrici.	9	5.22. Avvertenza sportello aperto.	25
3.4 Regolazione dei piedini	9	5.23. Cambiare la lampadina di illuminazione	25
4 Preparazione	10	5.24. Luce blu/HarvestFresh	25
4.1 Cose da fare ai fini del risparmio energetico	10	5.25. Il Cestello prodotti caseari (cella frigorifera)	25
4.2 Uso iniziale.	10	6. Pulizia e manutenzione	26
5 Utilizzo del frigorifero	12	6.1. Evitare i cattivi odori	26
5.1. Pannello dei comandi	12	6.2. Protezione delle superfici in plastica.	26
5.2. Secchiello del ghiaccio	15	7. Risoluzione dei problemi	27
(Questa funzione è opzionale).	15		
5.3. Scomparto per le uova	15		
5.4. Ventola	15		
5.5. Cestino per verdure.	15		
(Questa funzione è opzionale).	15		
5.6. Scomparto zero gradi	15		
(Questa funzione è opzionale).	15		
5.7. Utilizzare il secondo scomparto del prodotto;	16		
5.8. Ripiano mobile sportello.	17		
5.9. Scomparto scorrevole per la conservazione	17		
(Questa funzione è opzionale).	17		
5.10. Cestino per verdure a umidità controllata	18		
(Questa funzione è opzionale).	18		

1. Istruzioni relative a sicurezza e ambiente

Questa sezione fornisce le istruzioni di sicurezza necessarie per evitare il rischio di lesioni e danni materiali. Il mancato rispetto di queste istruzioni invalida tutti i tipi di garanzia esistenti sul prodotto.

Uso previsto



AVVERTENZA:

Assicurarsi che i fori di ventilazione non siano chiusi quando il dispositivo è nella sua custodia o quando lo si inserisce nel suo alloggiamento.

AVVERTENZA:

Non utilizzare alcun dispositivo meccanico o altri dispositivi per accelerare il processo di sbrinamento e seguire solo i consigli del fabbricante.

AVVERTENZA:

Non danneggiare il circuito del liquido refrigerante.

AVVERTENZA: Non utilizzare apparecchi elettrici non consigliati dal fabbricante all'interno dei vani per la conservazione degli alimenti.

AVVERTENZA: Non conservare sostanze esplosive come aerosol con gas propellenti infiammabili nell'apparecchio.

Questo apparecchio è stato progettato per applicazioni domestiche e per la seguenti applicazioni similari:

- Per essere utilizzato nelle cucine del personale di negozi, uffici e altri luoghi di lavoro;
- Per essere utilizzato dai clienti negli alberghi e nelle case di campagna, motel e altri luoghi di alloggio.
- in ambienti tipo pensioni

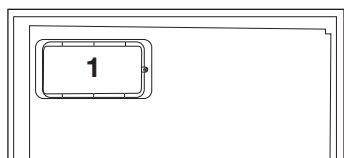
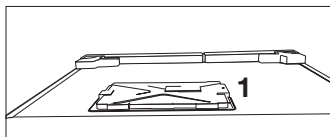
- in luoghi simili che non offrano servizi di ristorazione e non siano di vendita al dettaglio.

1.1 Norme di sicurezza generali

- Questo prodotto non dovrebbe essere usato da persone con disabilità a livello fisico, sensoriale e mentale, da persone senza un quantitativo sufficiente di conoscenze ed esperienza e da bambini. Queste persone potranno usare il dispositivo unicamente sotto la supervisione e le istruzioni di una persona responsabile della loro sicurezza. Ai bambini non dovrebbe essere consentito di giocare con questo dispositivo.
- In caso di malfunzionamento, scollegare il dispositivo.
- Dopo aver scollegato il dispositivo, attendere almeno cinque minuti prima di collegarlo nuovamente. Scollegare il prodotto se non viene usato. Non toccare la presa con le mani umide! Non tirare il cavo per eseguire lo scollegamento; prenderlo sempre per la spina.
- Non collegare il frigorifero se la presa sembra essere allentata.
- Scollegare il prodotto in fase di installazione, manutenzione, pulizia e riparazione.
- Qualora si preveda di non utilizzare il prodotto per un po' di tempo, scollegarlo ed estrarre gli eventuali elementi contenuti al suo interno.
- Non usare vapore o materiali detergenti a base di vapore per la pulizia del frigorifero e per lo scioglimento del ghiaccio al suo interno. Il vapore potrebbe entrare in contatto con le aree sotto tensione elettrica e causare cortocircuiti o scosse elettriche!
- Non lavare il prodotto spruzzando o versando acqua sullo stesso! Pericolo di scossa elettrica!

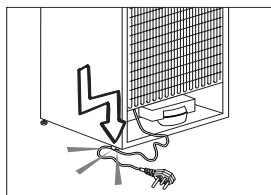
Istruzioni relativamente a sicurezza e ambiente

- Non usare mai il prodotto se la sezione che si trova sulla parte superiore o posteriore del prodotto, con le schede dei circuiti elettronici stampati all'interno, è aperta (coprire schede dei circuiti elettronici stampati) (1).



- In caso di malfunzionamento, non usare il prodotto, dato che potrebbe emettere scosse elettriche. Contattare il servizio autorizzato prima di intervenire.
- Collegare il prodotto a una presa che disponga di messa a terra. L'operazione di messa a terra deve essere eseguita da un elettricista qualificato.
- Qualora il prodotto disponga di un'illuminazione a LED, contattare l'assistenza autorizzata per la sostituzione.
- Non toccare alimenti congelati con le mani bagnate! Gli alimenti si potrebbero attaccare alle mani!
- Non posizionare liquidi in bottiglie o lattine all'interno dello scomparto congelatore. Potrebbero esplodere!
- Collocare i liquidi in posizione verticale dopo aver saldamente chiuso il tappo.
- Non spruzzare sostanze infiammabili vicino al prodotto. Potrebbero bruciare o esplodere!

- Non conservare materiali e prodotti infiammabili, come ad esempio spray, all'interno del frigorifero.
- Non collocare contenitori di liquidi sopra al prodotto. Gli spruzzi su parti sotto tensione potrebbero provocare scosse elettriche e rischio di incendio.
- L'esposizione del prodotto a pioggia, neve, sole e vento potrebbe causare pericoli a livello elettrico. Qualora sia necessario spostare il prodotto, non tirarlo per la maniglia della porta. La maniglia si potrebbe staccare.
- Evitare che parti delle mani o del corpo restino impigliate nei meccanismi mobili all'interno del prodotto.
- Non calpestare o appoggiarsi a porta, cassetti e altre componenti del frigorifero. Così facendo il prodotto potrebbe cadere e si potrebbe danneggiare.
- Fare attenzione a non bloccare il cavo di alimentazione.



1.1.1 Avvertenza HC

Qualora il prodotto sia dotato di sistema di raffreddamento che utilizza il gas R600a, fare attenzione ad evitare di danneggiare il sistema di raffreddamento e il relativo tubo in fase di utilizzo e spostamento del prodotto. Questo gas è infiammabile. Se viene danneggiato il sistema di raffreddamento, tenere il prodotto lontano da fonti di calore e provvedere immediatamente ad arieggiare la stanza.

Istruzioni relativamente a sicurezza e ambiente



Sul lato sinistro interno è indicato il tipo di gas utilizzato nel prodotto.

1.1.2 Per i modelli con la fontana d'acqua

- La pressione di ingresso dell'acqua fredda dovrebbe essere al massimo 90 psi (620 kPa). Qualora la pressione dell'acqua superi il valore 80 psi (550 kPa), utilizzare una valvola di limitazione della pressione nel sistema principale. Qualora non si sappia come verificare la pressione dell'acqua, chiedere aiuto a ad un idraulico professionista.
- In caso di rischio dell'effetto 'colpo d'ariete' nel proprio impianto, usare la strumentazione adatta per ridurre la probabilità di accadimento. Rivolgersi a idraulici professionisti in caso di dubbio relativamente alla presenza o meno dell'effetto 'colpo d'ariete' nel proprio impianto.
- Non installare l'ingresso dell'acqua calda. Prendere precauzioni contro il rischio di congelamento dei tubi. La gamma di funzionamento della temperatura dell'acqua dovrebbe essere 33°F (0.6°C) come minimo e 100°F (38°C) al massimo.
- Utilizzare solo acqua potabile.

1.2 Impiego conforme allo scopo previsto

- Questo prodotto è stato pensato per essere utilizzato in ambito domestico. Non è stato pensato per un uso di tipo commerciale.
- Il prodotto dovrebbe essere utilizzato unicamente per la conservazione di alimenti e bevande.
- Non tenere prodotti dedicati, che richiedano temperature controllate, quali ad esempio vaccini, farmaci

sensibili al calore, all'interno del frigorifero.

- Il produttore non si assume nessuna responsabilità per gli eventuali danni causati da un cattivo utilizzo o da un uso scorretto.
- I pezzi di ricambio originali verranno forniti per 10 anni, successivamente alla data di acquisto del prodotto.

1.3 Sicurezza bambini

- Tenere gli imballaggi fuori dalla portata dei bambini.
- Non permettere ai bambini di giocare con il prodotto.
- Qualora la porta del prodotto comprenda un lucchetto, tenere la chiave fuori dalla portata dei bambini.

1.4 Conformità con la Direttiva WEEE e smaltimento dei prodotti di scarico

Questo prodotto è conforme alla direttiva WEEE dell'UE (2012/19/EU). Questo prodotto è dotato di un simbolo di classificazione per i prodotti elettrici ed elettronici di scarto (WEEE).



Il prodotto è stato realizzato con componenti e materiali di alta qualità che possono essere riutilizzati oltre che riciclati. Non smaltire il prodotto con i normali rifiuti domestici e altri rifiuti al termine del suo ciclo di vita utile.

Portare il prodotto a un centro di raccolta per il riciclaggio della strumentazione elettrica ed elettronica. Consigliamo di rivolgersi alle autorità locali per ulteriori informazioni su questi centri di raccolta.

Istruzioni relativamente a sicurezza e ambiente

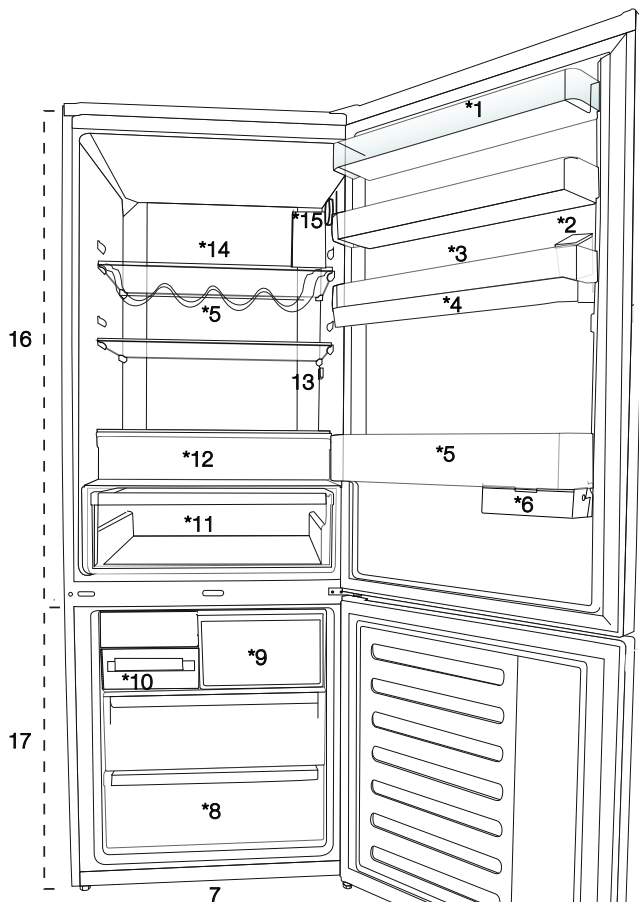
1.5 Conformità con la direttiva RoHS

- Questo prodotto è conforme alla direttiva WEEE dell'UE (2011/65/EU). Non contiene materiali dannosi e proibiti, indicati nella Direttiva.

1.6 Informazioni sull'imballaggio

- I materiali che compongono l'imballo del prodotto sono realizzati a partire da materiali riciclabili in conformità con le Normative Ambientali Nazionali. Non smaltire i materiali dell'imballo congiuntamente ai rifiuti domestici o ad altri rifiuti. Portarli presso i punti di raccolta imballaggi indicati dalle autorità locali.

2 Frigorifero



1. Ripiano sportello scomparto Coolerraggruppamento
2. Contenitore riempimento erogatore acqua
3. Porta uova
4. Serbatoio erogatore acqua
5. Ripiano bottiglie
6. Contenitori scorrevoli per la conservazione
7. Piedini regolabili
8. Comparto freezer
9. Comparto Quick Freeze
10. Portaggiaccio & banca Ice
11. Cestino per verdure
12. Il Cestello prodotti caseari (cella frigorifera)
13. Luce interna
14. Ripiano di vetro scomparto Cooler
15. Pulsante di regolazione della temperatura
16. Comparto Cooler
17. Comparto freezer



*Opzionale: Le figure in questo manuale utente sono schematiche, e potrebbero non corrispondere esattamente al prodotto. Qualora il prodotto non contenga le parti descritte, l'informazione riguarda altri modelli.

3. Installazione

3.1 Luogo idoneo per l'installazione

Rivolgersi al Servizio Autorizzato per l'installazione del prodotto. Per rendere il prodotto pronto per essere installato, confrontare le informazioni nella guida dell'utente e accertarsi che i servizi elettrici e idrici siano presenti. In caso contrario contattare un elettricista e un idraulico per rendere questi servizi conformi ai requisiti.



AVVERTENZA: Il produttore non si assume nessuna responsabilità per gli eventuali danni causati dagli interventi eseguiti da personale non autorizzato.



AVVERTENZA: Il cavo di alimentazione del prodotto deve essere scollegato in fase di utilizzo. Il mancato rispetto di queste istruzioni potrebbe provocare morte o altre gravi lesioni!



AVVERTENZA: Qualora la porta sia troppo stretta per consentire il passaggio del prodotto, togliere la porta e ruotarla; qualora ciò non funzioni, contattare il servizio autorizzato.



AVVERTENZA: Avvertenza superficie calda
Le pareti laterali del prodotto sono dotate di tubi refrigeranti per migliorare il sistema di raffreddamento. Il refrigerante a temperature elevate potrebbe scorrere in queste aree, causando così superfici calde sulle pareti laterali. Non si tratta di un'anomalia di funzionamento e non sono necessari interventi di manutenzione. Fare attenzione quando si toccano queste aree

- Collocare il prodotto su una superficie piana per evitare le vibrazioni.
- Collocare il prodotto ad almeno a 30 cm dal termosifone, dalla stufa e da altre fonti di calore e ad almeno 5 cm da eventuali forni elettrici.
- Non esporre il prodotto alla luce solare diretta o conservare in ambienti umidi.

- Il prodotto richiede una circolazione adeguata dell'aria per funzionare in modo efficace. Qual'ora il prodotto venga posizionato in un padiglione estivo, ricordare di lasciare una distanza di almeno 5 cm fra il prodotto, il soffitto, e le pareti.
- Non installare il prodotto in ambienti con temperature inferiori ai 5°.
- Il prodotto necessita di adeguata ventilazione per un funzionamento efficiente. Se in prodotto viene collocato in una alcova, lasciare almeno 5 cm di spazio tra il prodotto, il soffitto, i muri laterali e il muro retrostante.
- Se in prodotto viene collocato in una alcova, lasciare almeno 5 cm di spazio tra il prodotto, il soffitto, i muri laterali e il muro retrostante. Controllare se il componente di protezione della parete posteriore è presente e nel suo alloggiamento (se fornito con il prodotto). Se il componente non è disponibile, o se è stato smarrito o è caduto, posizionare il prodotto in modo tale da lasciare almeno 5 cm di spazio libero tra il retro del prodotto e le pareti del locale. Lo spazio libero nella parte posteriore è importante per il funzionamento efficiente del prodotto.

3.2 Prima di avviare il frigorifero

Controllare quanto segue prima di utilizzare il frigorifero:

1. Montare i 2 cunei in plastica come illustrato sotto. I cunei in plastica servono a mantenere la distanza che assicura la circolazione dell'aria tra frigorifero e parete. (L'immagine è creata per illustrare e non è identica all'apparecchio).
2. Pulire la parte interna del frigorifero come consigliato nella sezione "Manutenzione e pulizia".
3. Collegare la spina del frigorifero alla presa elettrica. Quando lo sportello del frigorifero è aperto, la lampadina interna si accende.
4. Quando il compressore comincia a funzionare, si sente un rumore. I liquidi e i gas sigillati nel sistema refrigerante possono produrre dei rumori, anche se il compressore non è in funzione; questo è abbastanza normale.

Installazione

5. I bordi anteriori del frigorifero possono essere tiepidi. Questo è normale. Queste zone sono progettate per essere tiepide per evitare la condensazione.

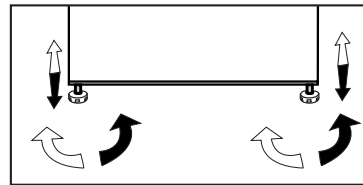
3.3 Collegamenti elettrici

Collegare il frigorifero ad una presa di messa a terra protetta da un fusibile della capacità appropriata. Importante:

- Il collegamento deve essere conforme ai regolamenti nazionali.
- La spina elettrica deve essere facilmente accessibile dopo l'installazione.
- La sicurezza elettrica del frigorifero è garantita unicamente se il sistema di messa a terra dell'apparecchiatura è conforme agli standard.
- La tensione dichiarata sull'etichetta che si trova nel lato interno a sinistra dell'apparecchio deve essere pari alla tensione di rete

3.4 Regolazione dei piedini

Se il frigorifero non è in equilibrio: è possibile bilanciare il frigorifero ruotando i piedini anteriori come illustrato in figura. L'angolo in cui i piedini sono più bassi quando girati in direzione della freccia nera e rialzati quando girati in direzione opposta. Un aiuto per sollevare leggermente il frigorifero faciliterà tale processo.



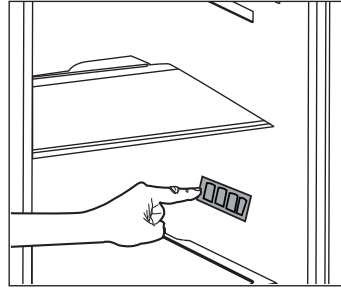
4 Preparazione

4.1 Cose da fare ai fini del risparmio energetico



La connessione dell'apparecchio a sistemi elettronici di risparmio energetico è rischiosa poiché potrebbe provocare danni all'apparecchio.

- Per apparecchio indipendente; “questo apparecchio refrigerante non è destinato a essere utilizzato come apparecchio da incasso.
- Non lasciare lo sportello del frigorifero aperto per lunghi periodi.
- Non mettere alimenti o bevande caldi nel frigorifero.
- Non sovraccaricare il frigorifero; il blocco del flusso interno dell'aria riduce la capacità di raffreddamento.
- Per conservare la quantità massima di alimenti nello scomparto Cooler del frigorifero, bisogna estrarre i cassetti superiori e metterli sul ripiano di vetro. Il consumo energetico dichiarato per il frigorifero è stato stabilito estraendo lo scomparto Cooler, il vassoio del ghiaccio e i cassetti superiori in modo da consentire la conservazione massima. L'uso del cassetto inferiore è fortemente raccomandato. La funzione di risparmio energetico deve essere attivata per un migliore consumo energetico.
- Non bisogna bloccare il flusso dell'aria mettendo gli alimenti davanti alla ventola del Cooler. Uno spazio di almeno 3 cm deve essere lasciato davanti alla griglia della ventola protettiva quando si posizionano gli alimenti.
- A seconda delle caratteristiche dell'apparecchio, scongelare nello scomparto Cooler gli alimenti congelati assicura risparmio energetico e conserva la qualità degli alimenti.
- Gli alimenti devono essere conservati nei cassetti dello scomparto Cooler per assicurare risparmio energetico e proteggere gli alimenti in condizioni migliori.
- Le confezioni con gli alimenti non devono essere a contatto diretto con il sensore di calore che si trova nello scomparto Cooler. Se sono in contatto con il sensore, il consumo energetico dell'apparecchio potrebbe aumentare.



- Assicurarsi che gli alimenti non siano in contatto con il sensore della temperatura dello scomparto Cooler descritto sotto.
- Nel caso siano presenti più opzioni, i ripiani in vetro devono essere posizionati in modo che le prese d'aria sulla parete posteriore non siano bloccate, preferibilmente le prese d'aria restano sotto il ripiano in vetro. Questa combinazione può aiutare a migliorare la distribuzione dell'aria e l'efficienza energetica.

4.2 Uso iniziale

Prima di utilizzare il frigorifero, assicurarsi di eseguire le preparazioni necessarie in linea con le istruzioni delle sezioni “Istruzioni per sicurezza e ambiente” e “Installazione”.

- Tenere l'apparecchio in funzione senza alimenti all'interno per 6 ore e non aprire lo sportello, a meno che non sia assolutamente necessario.



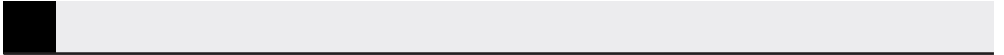
Si sente un suono quando il compressore si innesca. È normale sentire il suono anche quando il compressore non è attivo, a causa dei liquidi e dei gas compressi nel sistema di refrigerazione.



I bordi anteriori dell'apparecchio potrebbero riscaldarsi. Questo è normale. Il riscaldamento di queste parti è concepito per impedire la condensa.



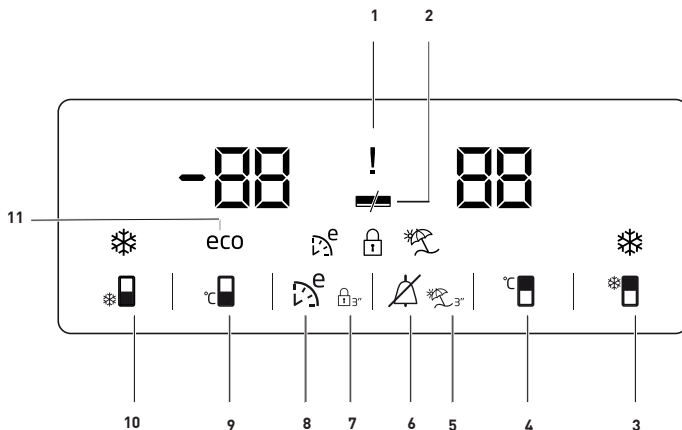
In alcuni modelli il pannello indicato si spegne automaticamente 5 minuti dopo la chiusura dello sportello. Si riattiva quando lo sportello viene aperto o se viene premuto un pulsante.

- 
- Poiché l'aria calda e umida non penetra direttamente nel prodotto quando le porte non sono aperte, il prodotto si ottimizza in condizioni sufficienti a proteggere il cibo. Funzioni e componenti quali compressore, ventola, caloriferi, sbrinamento, illuminazione, display e via dicendo funzionano secondo necessità per consumare il minimo di energia in tali circostanze.

5 Utilizzo del frigorifero

5.1. Pannello dei comandi

Il pannello con gli indicatori consente di impostare la temperatura e di controllare le altre funzioni collegate all'apparecchio senza aprire lo sportello dell'apparecchio. Basta premere le scritte sui pulsanti pertinenti per l'impostazione delle funzioni.



1. Mancanza di alimentazione / Alta temperatura / Indicatore di stato di errore

Questo indicatore (!) si illumina in caso di mancanza di corrente, temperatura elevata e avvisi di errore.

Quando la temperatura dello scomparto congelatore si scalda fino a un livello critico per gli alimenti congelati, il valore massimo raggiunto dalla temperatura dello scomparto congelatore lampeggia sull'indicatore digitale.

Controllare gli alimenti nello scomparto congelatore.

Non si tratta di un malfunzionamento. L'avviso può essere cancellato premendo un tasto qualsiasi o il tasto di spegnimento dell'allarme di alta temperatura. (L'annullamento mediante la pressione di un tasto qualsiasi non è applicabile a tutti i modelli).

Questo indicatore (⚡) si illumina anche quando si verifica un guasto del sensore. Quando questo indicatore è illuminato, "E" e delle cifre come "1,2,3..." vengono visualizzate alternativamente sull'indicatore della temperatura. Queste cifre sull'indicatore informano il personale specializzato dell'errore.

2. Funzione risparmio energetico (display spento):

Se gli sportelli dell'apparecchio sono tenuti chiusi a lungo, si attiva automaticamente una funzione di risparmio energetico a lungo termine e si accende il simbolo del risparmio energetico. (🔒)




*Opzionale: Le figure in questo manuale utente sono schematiche, e potrebbero non corrispondere esattamente al prodotto. Qualora il prodotto non contenga le parti descritte, l'informazione riguarda altri modelli.

Utilizzo del frigorifero

Quando la funzione di risparmio energetico è attiva, tutti simboli sul display tranne quella del risparmio energetico si spengono. Quando la funzione risparmio energetico è attivata, se viene premuto un pulsante o lo sportello è aperto, si esce dalla modalità risparmio energetico e i simboli sul display tornano normali.


La funzione di risparmio energetico è attivata al momento della consegna della fabbrica e non può essere annullata.

3. Funzione Quick Fridge



Questo pulsante ha due funzioni. Per attivare o disattivare la funzione Quick Cool premerlo brevemente. L'indicatore Quick Cool si spegnerà e l'apparecchio tornerà alle sue normali impostazioni. 

	Usare la funzione Quick Cool quando si desidera raffreddare velocemente gli alimenti posti nello scomparto frigo. Se è necessario raffreddare grandi quantità di cibo fresco, attivare questa funzione prima di inserire il cibo nel frigo.
	Se non si annulla manualmente, la funzione Quick Cool si annullerà automaticamente dopo 1 ore o quando lo scomparto frigo ha raggiunto la temperatura richiesta.
	Premendo il pulsante Quick Cool ripetutamente a brevi intervalli, il compressore non comincerà a funzionare immediatamente, in quanto il sistema di protezione del circuito elettronico sarà attivato.
	Questa funzione non viene richiamata quando l'alimentazione si ripristina dopo un'assenza di corrente.

4. Tasto di impostazione temperatura scomparto frigo

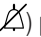
Premere questo pulsante per impostare la temperatura dello scomparto frigo rispettivamente su 8,7,6, 5,4,3, 2 ,1 ,8... Premere questo pulsante per impostare la temperatura desiderata per lo scomparto frigo. 

5. Funzione assenza

Per attivare la funzione assenza, premere questo pulsante  per 3 secondi e l'indicatore della modalità Vacation  si attiva. Quando la funzione assenza è attiva, “-” si visualizza sull'indicatore della temperatura dello scomparto frigo e non viene eseguito il raffreddamento attivo nello scomparto frigo. Non si possono conservare gli alimenti nello scomparto frigo quando questa funzione è attivata. Gli altri scomparti saranno ancora raffreddati secondo la loro temperatura impostata.


Per annullare questa funzione, premere di nuovo il pulsante della funzione assenza.


6. Termine dell'avviso di alta temperatura:

In caso di mancanza di corrente/avviso di alta temperatura, è possibile cancellare l'avviso () premendo un tasto qualsiasi sull'indicatore o il tasto di spegnimento dell'allarme di alta temperatura per 1 secondo dopo aver controllato gli alimenti all'interno del congelatore.

Nota: La cancellazione premendo un pulsante qualsiasi non è applicabile a tutti i modelli.

7. Blocco tasti,

Premere il pulsante di blocco tasti () contemporaneamente per 3 secondi. Simbolo blocco tasti


 si accende e si attiva la modalità blocco tasti. I pulsanti non funzionano quando è attiva la modalità blocco tasti. Premere di nuovo il pulsante di blocco tasti per 3 secondi. Il

Utilizzo del frigorifero


Il frigorifero si spegne e si esce dalla modalità blocco tasti.

Premere il pulsante **blocco tasti** se si desidera impedire la modifica dell'impostazione di temperatura del frigorifero ().


8. Eco fuzzy

Tenere premuto il pulsante Eco Fuzzy per 1 secondo per attivare la funzione Eco Fuzzy. Se viene attivata questa funzione, il frigo comincia a funzionare con la modalità più economica minimo 6 ore dopo e l'indicatore di uso economico si accende (). Tenere premuto il pulsante Eco Fuzzy per 3 secondi per disattivare la funzione Eco Fuzzy. Questo indicatore si accende dopo 6 ore quando si attiva la funzione Eco Fuzzy.

9. Tasto di impostazione temperatura scomparto freezer

Premere questo pulsante per impostare la temperatura dello scomparto freezer a -18,-19,-20,-21, -22, -23,-24, -18..., rispettivamente. Premere questo pulsante per impostare la temperatura desiderata per lo scomparto freezer. ()

10. Pulsante funzione Quick Freeze/ Pulsante Icematic on-off

Premere questo pulsante per attivare o disattivare la funzione Quick Freeze. Quando si attiva la funzione, lo scomparto freezer viene raffreddato a una temperatura inferiore rispetto a quella impostata. () Per attivare e disattivare l'Icematic, tenerlo premuto per 3 secondi.



Usare la funzione Quick Freeze quando si desidera congelare velocemente gli alimenti posti nello scomparto frigo. Se è necessario congelare grandi quantità di cibo fresco, attivare questa funzione prima di inserire il cibo nel frigo.



Se non si annulla manualmente, la funzione Quick Freeze si annullerà automaticamente dopo 24 ore o quando lo scomparto frigo ha raggiunto la temperatura richiesta.



Questa funzione non viene richiamata quando l'alimentazione si ripristina dopo un'assenza di corrente.

11. Indicatore uso economico

Indica che l'apparecchio è in funzione in modalità a risparmio energetico. (**eco**) Questo indicatore sarà attivo se la temperatura dello scomparto freezer è impostata su -18 o se il raffreddamento a risparmio energetico è attivo grazie alla funzione Eco-Extra.



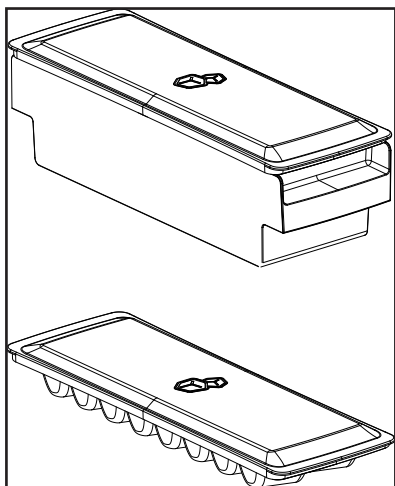
L'indicatore dell'uso economico si spegne quando sono selezionate le funzioni Quick Cool o Quick Freeze.

Utilizzo del frigorifero

5.2. Secchiello del ghiaccio

(Questa funzione è opzionale)

- Estrarre il secchiello del ghiaccio dallo scomparto freezer.
- Riempire di acqua il secchiello del ghiaccio.
- Mettere il secchiello del ghiaccio nello scomparto freezer.
- Il ghiaccio sarà pronto dopo due ore circa. Estrarre il secchiello del ghiaccio dallo scomparto freezer e piegarlo delicatamente sul contenitore in cui sarà servito il ghiaccio. Il ghiaccio si versa facilmente nel contenitore.



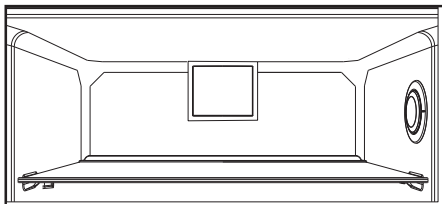
5.3. Scomparto per le uova

È possibile installare il porta uova sul ripiano desiderato della porta o del corpo.

Non porre mai il porta uova nello scomparto del freezer

5.4. Ventola

La ventola è stata concepita per garantire la circolazione dell'aria fredda all'interno del frigorifero in modo omogeneo. Il tempo di funzionamento della ventola potrebbe variare a seconda delle caratteristiche dell'apparecchio. Se in alcuni apparecchi la ventola funziona solo con il compressore, in altri il sistema di controllo determina il tempo di funzionamento sulla base dell'esigenza di raffreddamento.



5.5. Cestino per verdure

(Questa funzione è opzionale)

- Il cestino per verdure dell'apparecchio è concepito per mantenere le verdure fresche, conservando l'umidità. A questo scopo, la circolazione complessiva dell'aria fredda è più intensa nel cestino delle verdure.

5.6. Scomparto zero gradi

(Questa funzione è opzionale)

Usare questo scomparto per conservare i prodotti di gastronomia a temperatura inferiore o la carne per il consumo immediato.

Lo scomparto zero gradi è la parte più fredda in cui conservare a condizioni ideali alimenti come prodotti caseari, carne, pesce e pollo. Verdura e/o frutta non devono essere conservate in questo scomparto.

Utilizzo del frigorifero

5.7. Utilizzare il secondo scomparto del prodotto;



Figura 1.

Come mostrato nella figura, ci sono 2 meccanismi di fermo nel secondo scomparto del prodotto modello K70560.



Figura 2.

Il secondo scomparto appare come in Figura 2 quando è chiuso.



Figura 3.

Quando lo sportello è aperto a 90°, tirare il secondo scomparto fino al primo meccanismo di fermo come mostrato in Figura 3.

Nel caso in cui il cassetto abbia un'apertura maggiore, prima di tutto aprire lo sportello di almeno 135° gradi. Successivamente, come mostrato in Figura 4, sollevare il secondo scomparto di circa 5 mm in modo da liberarlo dal primo meccanismo di blocco.



Figura 4.

Dopo averlo sollevato, tirare il secondo cassetto fino al secondo meccanismo di blocco come mostrato in Figura 5.



Figura 5.

Utilizzo del frigorifero

5.8. Ripiano mobile sportello

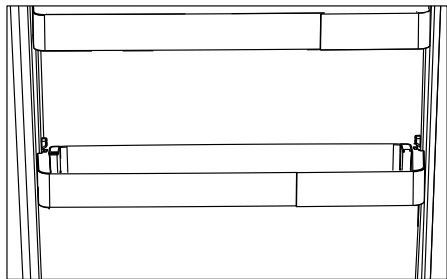
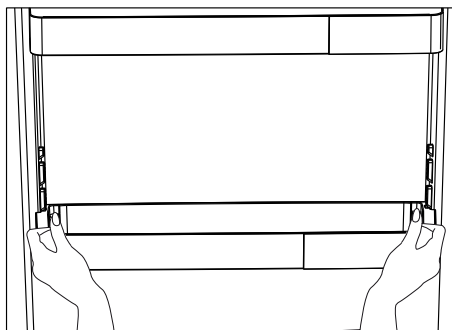
(Questa funzione è opzionale)

Il ripiano mobile dello sportello può essere fissato in 3 diverse posizioni.

Per spostare il ripiano, premere in modo uniforme i pulsanti ai lati. Il ripiano può essere spostato.

Spostare il ripiano verso l'alto o verso il basso.

Quando il ripiano è nella posizione desiderata, rilasciare i pulsanti. Il ripiano si fissa di nuovo nella posizione in cui sono stati rilasciati i pulsanti.

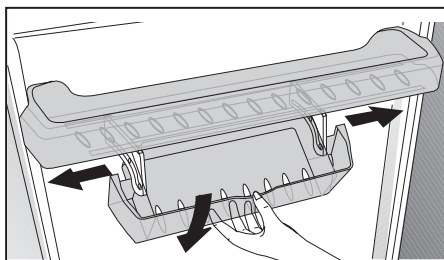


5.9. Scomparto scorrevole per la conservazione

(Questa funzione è opzionale)

Questo accessorio è progettato per accrescere il volume dei ripiani dello sportello.

Grazie alla sua capacità di spostarsi lateralmente, consente di posizionare facilmente bottiglie lunghe, barattoli o contenitori che vengono posti nella rastrelliera per bottiglie sotto.



Utilizzo del frigorifero

5.10. Cestino per verdure a umidità controllata

(Questa funzione è opzionale)

Con la funzione di controllo dell'umidità, i tassi di umidità di verdura e frutta sono tenuti sotto controllo e assicurano un periodo di freschezza più lungo per gli alimenti.

Si raccomanda di conservare le verdure a foglia come lattuga e spinaci e verdure simili che rischiano la perdita di umidità non sulle radici ma in posizione orizzontale nel cestino per le verdure, per quanto possibile.

Quando si posizionano le verdure, mettere le verdure pesanti e dure sul fondo e quelle leggere e morbide sopra, tenendo conto del peso specifico delle verdure.

Non lasciare le verdure nel cestino nei sacchetti di plastica.

Lasciarle nei sacchetti di plastica provoca in breve tempo il deterioramento delle verdure. In situazioni in cui non si consiglia il contatto con le altre verdure, utilizzare materiali di imballaggio come carta con una certa porosità per motivi di igiene.

Non mettere frutta con elevata emissione di gas etilene come pere, albicocche, pesche e in particolare mele nello stesso cestino di verdure con altra verdura e frutta. Il gas etilene che fuoriesce da questi frutti potrebbe provocare all'altra frutta e verdura una maturazione e un deterioramento più veloci.

5.11. Modulo deodorizzatore

(FreshGuard) *optional

Il modulo deodorizzatore elimina in un istante i cattivi odori dal frigorifero prima che penetrino nelle superfici. Grazie a questo modulo, il quale viene collocato sul soffitto dello scomparto per alimenti freschi, i cattivi odori si dissolvono mentre l'aria viene fatta passare

attivamente sul filtro anti-odore, quindi l'aria che è stata purificata dal filtro viene reimpressa nello scomparto per alimenti freschi. In questo modo, gli odori indesiderati che potrebbero sprigionarsi durante la conservazione degli alimenti nel frigorifero vengono eliminati prima che possano penetrare nelle superfici.

Ciò si ottiene grazie alla ventola, al LED e al filtro anti-odore integrato all'interno del modulo. Durante l'uso quotidiano, il modulo deodorizzatore si attiverà automaticamente a intervalli regolari. Per mantenere prestazioni efficienti, si consiglia la sostituzione del filtro nel modulo deodorizzatore da parte del fornitore del servizio autorizzato ogni 5 anni. A causa della ventola integrata nel modulo, il rumore che si avvertirà durante il funzionamento è del tutto normale. Se si apre la porta dello scomparto per alimenti freschi mentre il modulo è attivo, la ventola si bloccherà temporaneamente e riprenderà a funzionare dal punto in cui si era fermata una volta trascorso un determinato tempo dopo aver richiuso la porta. In caso di interruzione di corrente, il modulo deodorizzatore riprenderà a funzionare dal punto in cui si era fermato nella durata di funzionamento completa una volta ripristinata la corrente.

Informazioni: Si consiglia di conservare gli alimenti aromatici (come formaggio, olive e salumi) nella relativa confezione e sigillarli per evitare cattivi odori che potrebbero sprigionarsi quando odori di vari alimenti si mescolano tra loro. Si consiglia inoltre di togliere il più in fretta possibile dal frigorifero alimenti avariati per impedire che gli altri alimenti vadano a male ed evitare cattivi odori.

Utilizzo del frigorifero

5.12. Macchina del ghiaccio automatica

(Questa funzione è opzionale)

La macchina del ghiaccio automatica consente di preparare facilmente il ghiaccio nel frigorifero. Per ottenere ghiaccio dalla macchina, estrarre il serbatoio dell'acqua nello scomparto Cooler, riempirlo con acqua e riposizionarlo.

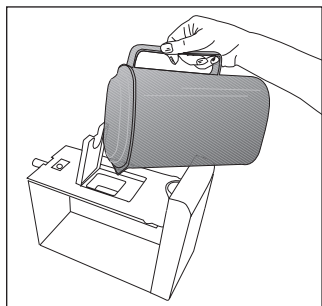
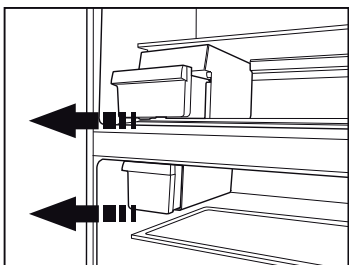
Il primo ghiaccio sarà pronto in circa 2 ore nel cassetto della macchina che si trova nello scomparto Cooler.

Dopo aver posizionato il serbatoio pieno dell'acqua, si possono ottenere circa 60-70 cubetti di ghiaccio finché non si svuota del tutto.

Se l'acqua è nel serbatoio da 2-3 settimane, deve essere cambiata.



Nei prodotti dotati di macchina del ghiaccio automatica, si potrebbe sentire un suono quando si versa il ghiaccio. Questo suono è normale e non è un segno di guasto.



5.13. HerbBox/HerbFresh

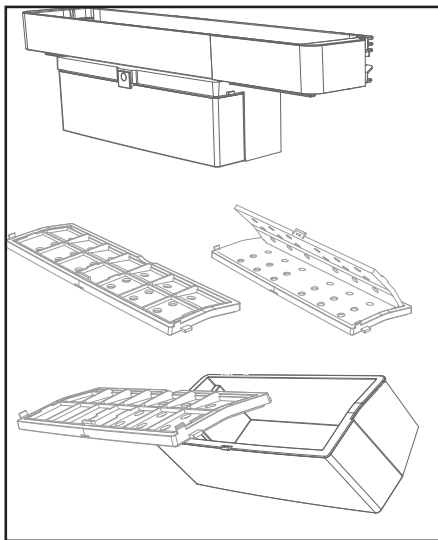
Togliere la custodia della pellicola dal HerbBox/HerbFresh+.

Togliere la pellicola dal sacchetto e inserirla nella custodia della pellicola come indicato in figura.

Chiudere la custodia e inserirla nuovamente nell'unità HerbBox/HerbFresh+.

Gli scomparti di HerbBox-HerbFresh+ sono ideali per la conservazione erbe aromatiche per quelle che devono essere conservate in condizioni sensibili. Potete conservare fresche le vostre verdure (prezzemolo, aneto, ecc) che avete tolto dal loro sacchetto in questo scomparto in posizione orizzontale per un periodo più lungo.

La pellicola deve essere sostituita ogni sei mesi.



Utilizzo del frigorifero

5.14. Icematic e contenitore per conservare il ghiaccio

Uso di Icematic

(Questa funzione è opzionale)

* Riempire Icematic con acqua e metterlo in sede. Il ghiaccio sarà pronto in due ore circa. Non rimuovere l'Icematic dalla sua sede per prendere il ghiaccio.

* Ruotare le manopole in senso orario per 90 gradi.

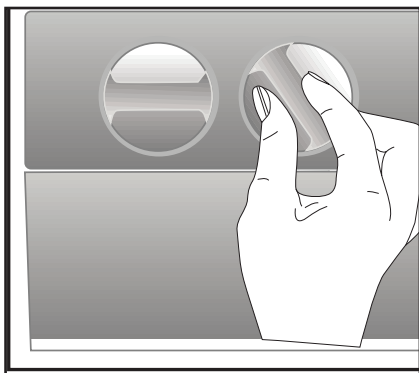
I cubetti di ghiaccio cadono nel contenitore per la conservazione del ghiaccio sotto.

* È possibile estrarre il contenitore per la conservazione del ghiaccio e servire i cubetti.

* Se lo si desidera, è possibile lasciare i cubetti nel contenitore per la conservazione del ghiaccio.

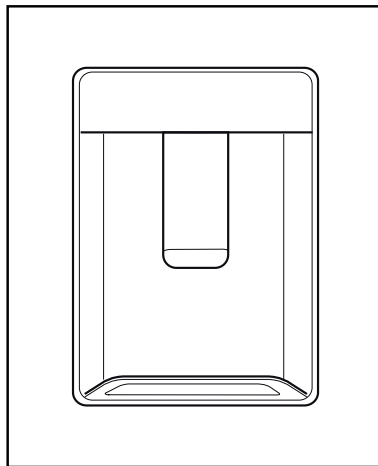
Contenitore per la conservazione del ghiaccio

Il contenitore per la conservazione del ghiaccio ha solo lo scopo di conservare i cubetti di ghiaccio. Non inserirvi dell'acqua, Altrimenti si romperà.



5.15. Erogatore d'acqua (in alcuni modelli)

L'erogatore dell'acqua è una funzione molto utile per ottenere acqua fredda senza aprire lo sportello del frigorifero. Dal momento che non bisogna aprire con frequenza lo sportello del frigorifero, si risparmia energia.



Utilizzo del frigorifero

5.16. Uso dell'erogatore d'acqua

Premere il braccio dell'erogatore d'acqua col bicchiere. L'erogatore smette di erogare quando viene rilasciato il braccio.

Quando si usa l'erogatore dell'acqua, il flusso massimo può essere ottenuto premendo completamente il braccio. Ricordare che la quantità del flusso dall'erogatore è soggetta al livello di pressione sul braccio.

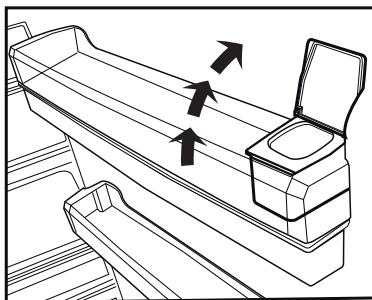
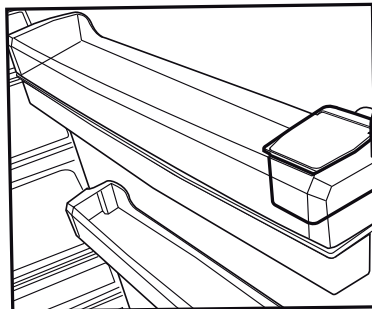
Quando il livello dell'acqua nel bicchiere/nel contenitore aumenta, diminuire leggermente la pressione sul braccio per evitare traboccamento. Se si preme delicatamente il braccio, l'acqua gocciola; questo è normale e non è un guasto.

Riempimento del serbatoio dell'erogatore d'acqua

Il serbatoio per il riempimento dell'acqua si trova all'interno della rastrelliera dello sportello. Aprire il coperchio del serbatoio e riempire di acqua potabile pulita. E poi chiudere il coperchio.

Avvertenza!

- Non riempire il serbatoio d'acqua con liquidi diversi dall'acqua, come succhi di frutta, bevande gassate o bevande alcoliche che non sono adatte per essere usate nell'erogatore d'acqua. L'erogatore d'acqua si danneggerebbe in modo irreparabile a causa dell'uso di questi liquidi. La garanzia non copre tali usi. Alcune sostanze chimiche e alcuni additivi contenuti in questo tipo di bevande/liquidi possono danneggiare il materiale del serbatoio d'acqua.
- Usare solo acqua potabile pulita e pura.
- La capacità del serbatoio dell'acqua è 3 litri; non riempire oltre.



Utilizzo del frigorifero

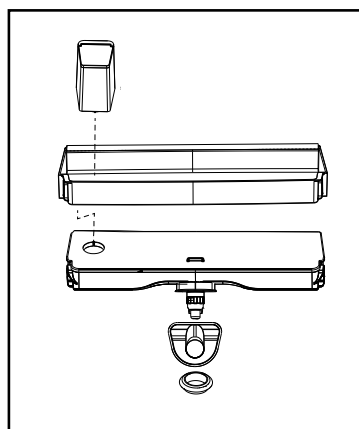
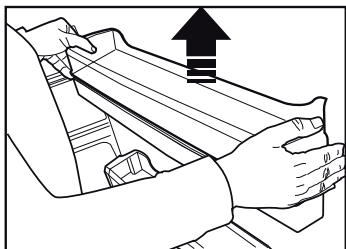
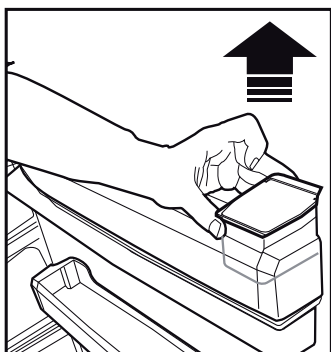
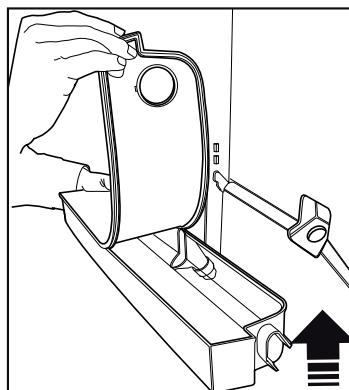
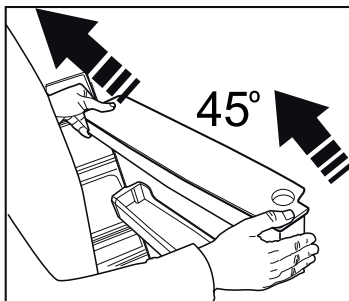
- Premere il braccio dell'erogatore d'acqua con un bicchiere rigido. Se si usano bicchieri di plastica usa e getta, spingere il braccio con le dita da dietro il bicchiere.

5.17. Pulizia del serbatoio dell'acqua

- Rimuovere il serbatoio di riempimento dell'acqua dalla rastrelliera interna dello sportello.
- Rimuovere la rastrelliera tenendo da entrambi i lati.
- Afferrare il serbatoio dell'acqua da entrambi i lati e rimuoverlo con un angolo di 45°C.
- Pulire il serbatoio dell'acqua rimuovendone il coperchio.

Importante:

I componenti del serbatoio dell'acqua e dell'erogatore dell'acqua non devono essere lavati in lavastoviglie.



Utilizzo del frigorifero

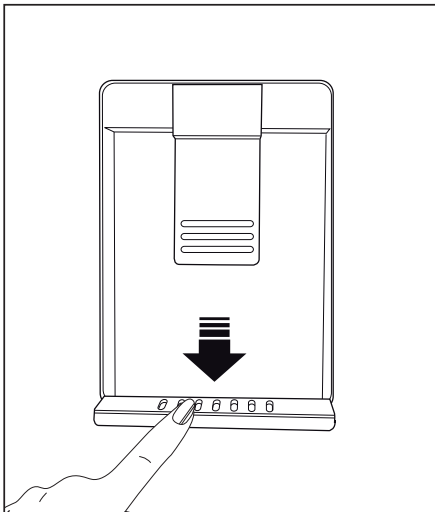
5.18. Vaschetta per l'acqua

L'acqua che sgocciola durante l'uso dell'erogatore si accumula nell'apposita vaschetta.

Estrarre la vaschetta in plastica come mostrato nella figura.

Con un panno asciutto e pulito, rimuovere l'acqua accumulata.

ATTENZIONE: Collegare solo ad una linea di acqua potabile.



Utilizzo del frigorifero

Impostazione Scomparto Congelatore	Impostazione Scomparto Frigorifero	Descrizioni
-18°C	4°C	Questa è l'impostazione predefinita è consigliata.
-20,-22 o -24°C	4°C	Queste impostazioni sono consigliate per temperature ambiente che superano i 30°C.
Congelamento rapido	4°C	Servirsi di questa opzione per congelare alimenti in un breve lasso di tempo; il dispositivo tornerà alle impostazioni precedenti al termine del processo.
-18°C o inferiore	2°C	Servirsi di queste impostazioni qualora si ritenga che lo scomparto frigorifero non sia abbastanza freddo a causa della temperatura ambiente o a causa delle frequenti aperture della porta.

5.19. Consigli per conservare alimenti surgelati

Lo scomparto deve essere impostato a una temperatura minima di -18°C.

1. Collocare gli alimenti all'interno del congelatore quanto più rapidamente possibile per evitare che si scongelino.
2. Prima del congelamento, verificare la "data di scadenza" sulla confezione per accertarsi del fatto che il prodotto non sia scaduto.
3. Accertarsi che la confezione dell'alimento non sia danneggiata.

5.20. Dettagli congelatore

Conformemente agli standard IEC 62552, il congelatore deve avere la capacità di congelare 4,5 chili di alimenti a una temperatura di -18°C o inferiore, in 24 ore, per ogni 100 l di volume di scomparto di congelamento. Gli alimenti possono essere preservati solo per lunghi periodi di tempo a temperature uguali o inferiori a -18°. Sarà possibile conservare gli alimenti freschi per mesi, all'interno del congelatore a temperature uguali o inferiori a -18°).

Gli alimenti da congelare non devono entrare in contatto con gli altri alimenti già congelati all'interno del congelatore, per evitare uno scongelamento parziale.

Bollire le verdure filtrare l'acqua per estendere il tempo di conservazione congelato. Collocare gli alimenti in sacchetti ermetici, dopo aver eseguito il filtraggio e il posizionamento all'interno del congelatore. Banane, pomodori, lattuga, sedano, uova bollite, patate e altri alimenti simili non dovrebbero essere congelati. Congelando questi alimenti se ne ridurrà il valore nutrizionale e la qualità alimentare; i prodotti si potrebbero inoltre rovinare, il che causa problemi a livello di salute.

Utilizzo del frigorifero

5.21. Posizionamento degli alimenti

Ripiani dello scomparto congelatore	Vari alimenti congelati quali ad esempio carne, pesce, gelato, verdura, eccetera.
Ripiani dello scomparto frigorifero	Alimenti all'interno di pentole, vassoi e contenitori, uova, all'interno di una confezione
Ripiani della porta scomparto frigorifero	Piccoli alimenti o bevande
Cassetto verdura	Frutta e verdura
Scomparto alimenti freschi	Prodotti gastronomici, ad esempio colazione, carne da consumare a breve

5.22. Avvertenza sportello aperto (Questa funzione è opzionale)

Un segnale di avvertenza audio viene emesso quando lo sportello dell'apparecchio viene lasciato aperto per almeno 1 minuto. Questa avvertenza scompare quando lo sportello viene chiuso o se viene premuto uno dei pulsanti del display (se presenti).

5.23. Cambiare la lampadina di illuminazione

Per cambiare lampadina/LED utilizzati per illuminare il frigorifero, rivolgersi al Servizio Assistenza Autorizzato.

La lampada (le lampade) usata (usate) nell'apparecchiatura non è (sono) adatta (adatte) per l'illuminazione domestica.

L'obiettivo previsto per questa lampada è quello di assistere l'utente in fase di posizionamento degli alimenti all'interno del frigorifero / congelatore in modo sicuro e comodo.

5.24. Luce blu/HarvestFresh

***Non disponibile con tutti i modelli**

Per la luce blu,

Frutta e verdura conservate nei cassetti illuminati con luce blu continuano la loro fotosintesi grazie all'effetto della lunghezza d'onda della luce blu e conservano così il loro contenuto di vitamine.

Per HarvestFresh,

Frutta e verdura conservate in cassetti illuminati con la tecnologia HarvestFresh conservano le loro vitamine più a lungo grazie alle luci blu, verdi, rosse e ai cicli di buio che simulano il ciclo della giornata.

Aperto la porta del frigorifero durante il periodo di buio della tecnologia HarvestFresh, il frigorifero fa una rilevazione automatica e permette alla luce blu-verde o rossa di illuminare il cassetto per la propria comodità. Dopo aver chiuso lo sportello del frigorifero, il periodo di buio continuerà, come fosse il periodo notturno in un ciclo diurno.

5.25. Il Cestello prodotti caseari (cella frigorifera)

fornisce una temperatura più bassa all'interno dello scomparto frigorifero. Utilizzare questo cestello per conservare i prodotti di gastronomia (salumi, salsicce, latticini, ecc.) che richiedono una temperatura di conservazione più bassa oppure carne, pollo o pesce per il consumo immediato. Non conservare frutta e verdura all'interno di questo contenitore.

Pulendo il prodotto a intervalli regolari sarà possibile prolungare la durata di vita.



AVVERTENZA: Scollegare il frigorifero dalla corrente prima di eseguire la pulizia.

- Non usare strumenti appuntiti e abrasivi, sapone, materiali per pulire la casa, detersivi, gas, gasolio, vernice e sostanze simili per gli interventi di pulizia.
- Per i prodotti non-No Frost, si verifica la formazione di gocce di acqua e ghiaccio fino allo spessore di un dito sulla parete posteriore dello scomparto frigo. Non pulire; non applicare mai olio né agenti simili.
- Utilizzare solo panni umidi in microfibra per pulire la superficie esterna del prodotto. Spugne e altri tipi di panni per la pulizia possono graffiare la superficie.
- Sciogliere un cucchiaino di bicarbonato in acqua. Ammorbidire un panno in acqua, quindi strizzarlo. Pulire il dispositivo con questo panno, quindi asciugare completamente.
- Fare attenzione a tenere lontana l'acqua dalla copertura delle lampade dalle altre componenti elettriche.
- Pulire la porta con un panno bagnato. Togliere tutti gli elementi all'interno per staccare la porta ed i ripiani del telaio. Sollevare i ripiani della porta verso l'alto per poterli rimuovere. Pulire e asciugare i ripiani, poi fissare nuovamente in posizione facendo scorrere da sopra.
- Non usare cloro cronica o prodotti detersivi sulla superficie esterna del dispositivo e sulle componenti rivestite in cromo del prodotto. Il cloro provoca ruggine su queste superfici metalliche.

6.1. Evitare i cattivi odori

Il prodotto è stato realizzato senza materiali che emettono cattivi odori. Conservare tuttavia gli alimenti in sezioni non adeguate e pulire le superfici interne in modo non consono potrebbe provocare cattivi odori.

A tal fine consigliamo di pulire l'interno con acqua gassata ogni 15 giorni.

- Tenere gli alimenti in contenitori sigillati. I microrganismi potrebbero fuoriuscire dagli alimenti non sigillati causando così cattivi odori.
- Non conservare alimenti scaduti e marci all'interno del frigorifero.
- Non usare strumenti affilati e abrasivi o sapone, agenti detersivi domestici, detersivi, gasolio, benzene, cera, ecc., altrimenti le indicazioni sulle parti in plastica si toglieranno e si verificherà deformazione. Usare acqua tiepida e un panno morbido unicamente per le operazioni di pulizia e asciugatura.

6.2. Protezione delle superfici in plastica

L'olio rovesciato sulle superfici in plastica potrebbe danneggiare la superficie, e deve essere pulito immediatamente servendosi di acqua tiepida.

Controllare questo elenco prima di contattare l'assistenza clienti. Questa operazione vi consentirà di risparmiare soldi. Questo elenco contiene i problemi più frequenti che non a livello di manodopera o materiali. Alcune funzioni qui indicate potrebbero non essere valide per il vostro prodotto.

Il frigorifero non funziona.

- La presa di corrente non è stata inserita correttamente. >>> Spingerla fino a inserirla completamente nella presa.
- Il fusibile collegato alla presa che alimenta il prodotto, oppure il fusibile principale, è bruciato. >>> Controllare i fusibili.

Condensa sulla parete laterale dello scomparto frigorifero (MULTI ZONE, COOL, CONTROL e FLEXI ZONE).

- La porta viene aperta troppo spesso >>> Fare attenzione a non aprire eccessivamente la porta del dispositivo.
- L'ambiente è troppo umido. >>> Non installare il prodotto in ambienti umidi.
- Gli alimenti che contengono liquidi vengono conservati in contenitori non sigillati. >>> Tenere gli alimenti in contenitori sigillati.
- La porta viene lasciata aperta. >>> Non tenere aperte a lungo le porte del frigorifero.
- Il termostato è impostato su una temperatura troppo bassa. >>> Impostare il termostato su una temperatura adeguata.

Il compressore non funziona.

- In caso di improvviso black out, o nel caso in cui la spina venga tolta e poi reinserita, la pressione del gas nel sistema di raffreddamento del dispositivo non è equilibrata, il che fa scattare la protezione termica del compressore. Il dispositivo si riavvierà dopo circa 6 minuti. Qualora il prodotto non si riavvia dopo questo periodo, contattare l'assistenza.
- La modalità di scongelamento è attiva. >>>> Si tratta di una condizione normale per un frigorifero con funzione di sbrinamento completamente automatica. Lo sbrinamento avviene a intervalli periodici.
- Il prodotto non è collegato. >>> Verificare che il cavo di alimentazione sia collegato.
- L'impostazione di temperatura non è corretta. >>>> Selezionare l'impostazione di temperatura adeguata.
- Assenza di corrente. >>> Il prodotto continuerà a funzionare normalmente quando viene ripristinata la corrente elettrica.

Il rumore di funzionamento del frigorifero aumenta col passare del tempo.

- Le prestazioni operative del prodotto possono variare a seconda delle variazioni di temperatura ambiente. Questa non è un'anomalia di funzionamento.

Il frigorifero funziona troppo spesso o troppo lungo.

Risoluzione dei problemi

- Il nuovo prodotto potrebbe essere più grande di quello precedente. I prodotti più grandi funzioneranno più a lungo.
- La temperatura ambiente potrebbe essere alta. >>> Il prodotto funzionerà normalmente per lunghi periodi di tempo con temperature superiori.
- Il prodotto potrebbe essere stato di recente collegato alla corrente, oppure al suo interno potrebbero essere stati recentemente aggiunti vari alimenti. >>> Allo prodotto servirà più tempo per raggiungere la temperatura impostata, se collegato di recente, oppure nel caso in cui vengano collocati nuovi elementi al suo interno, Non si tratta di un'anomalia.
- Forse di recente sono state introdotte nel frigorifero grandi quantità di alimenti caldi. >>> Non mettere alimenti caldi direttamente dentro al frigorifero.
- Le porte sono state aperte frequentemente o tenute aperte a lungo. >>> L'aria calda che si muove all'interno provocherà un funzionamento più lungo. Non aprire le porte con troppa frequenza.
- Le porte del congelatore o del frigorifero potrebbero essere socchiuse. >>> Controllare che le porte siano totalmente chiuse.
- Il prodotto potrebbe essere impostato su una temperatura troppo bassa, >>> Impostare la temperatura su un livello più alto e attendere che il prodotto raggiunga la temperatura desiderata.
- La rondella della porta del frigorifero del congelatore potrebbe essere sporca, usurata, rotta o non correttamente configurata, >>> Pulire e sostituire la rondella. Le rondelle consumate e usurate faranno funzionare il prodotto più a lungo per conservare la temperatura attuale.

La temperatura del congelatore è molto bassa, ma la temperatura del frigorifero è corretta.

- La temperatura dello scomparto congelatore è impostata su un livello molto basso, >>> Impostare la temperatura dello scomparto congelatore su un livello più alto, quindi eseguire un controllo.

La temperatura del frigorifero è molto bassa, ma la temperatura del congelatore è corretta.

- La temperatura dello scomparto frigorifero è impostata su un livello molto basso, >>> Impostare la temperatura dello scomparto frigorifero su un livello più alto, quindi eseguire un controllo.

Gli alimenti conservati nei cassetti dello scomparto frigorifero sono congelati.

- La temperatura dello scomparto frigorifero è impostata su un livello molto basso, >>> Impostare la temperatura dello scomparto congelatore su un livello più alto, quindi eseguire un controllo.

La temperatura nel vano frigorifero e congelatore è troppo alta.

- La temperatura dello scomparto frigorifero è impostata su un livello molto alto, >>> L'impostazione della temperatura dello scomparto frigorifero influenza la temperatura dello scomparto del congelatore. Modificare la temperatura dello scomparto congelatore o frigorifero e attendere che tutti gli scomparti interessati raggiungano il livello di temperatura impostata.
- Le porte sono state aperte frequentemente o tenute aperte a lungo. >>> Non aprire le porte con troppa frequenza.
- La porta potrebbe essere socchiusa. >>> Chiudere completamente la porta.
- Il prodotto potrebbe essere stato di recente collegato alla corrente, oppure al suo interno potrebbero essere stati recentemente aggiunti vari alimenti. >>> Al prodotto servirà più tempo per raggiungere la temperatura impostata, se collegato di recente, oppure nel caso in cui vengano collocati nuovi elementi al suo interno.
- Di recente sono state introdotte nel frigorifero grandi quantità di alimenti caldi. >>> Non mettere alimenti caldi direttamente dentro al frigorifero.

Vibrazioni o rumore.

Risoluzione dei problemi

- Il pavimento non è in piano o resistente. >>> Se il prodotto vibra, quando viene spostato lentamente, regolare i supporti per equilibrare il prodotto. Verificare inoltre che la superficie di appoggio sia sufficientemente resistente per supportarne il peso.
- Gli eventuali oggetti collocati sul prodotto potrebbero essere fonte di rumore. >>> Togliere gli eventuali elementi collocati sul prodotto.

Il prodotto emette rumori, come ad esempio liquido che scorre, spruzzo, eccetera

- I principi operativi del prodotto prevedono la presenza di flussi di liquidi e flussi di gas. >>> Questa non è un'anomalia di funzionamento.

C'è un rumore, simile a un soffio, che proviene dal prodotto.

- Il prodotto si serve di una ventola per il processo di raffreddamento. Questa non è un'anomalia di funzionamento.

Si è formata condensa sulle pareti interne del dispositivo.

- Le condizioni meteo calde o umide aumentano la formazione di ghiaccio e di condensa. Questa non è un'anomalia di funzionamento.
- Le porte sono state aperte frequentemente o tenute aperte a lungo. >>> Non aprire le porte con troppa frequenza; se la porta è aperta, chiuderla.
- La porta potrebbe essere socchiusa. >>> Chiudere completamente la porta.

Si è formata condensa sulla superficie esterna del dispositivo o fra le porte.

- Le condizioni ambientali potrebbero essere umide, e ciò è normale. >>> La condensa si dissipa quando l'umidità viene ridotta.

L'interno emette cattivi odori.

- Il prodotto non viene pulito regolarmente. >>> Pulire la superficie interna a intervalli regolari servendosi di spugna, acqua tiepida, e acqua gassata.
- Alcuni contenitori e imballaggi potrebbero emettere cattivi odori. >>> Servirsi di imballaggi che non emettano cattivi odori.
- Gli alimenti sono stati collocati all'interno di contenitori non sigillati. >>> Tenere gli alimenti in contenitori sigillati. I microrganismi potrebbero fuoriuscire dagli alimenti non sigillati causando così cattivi odori.
- Rimuovere gli eventuali alimenti scaduti o rovinati dal dispositivo.

La porta non si chiude correttamente.

- Le confezioni di cibo potrebbero bloccare la porta. >>> Trovare una nuova posizione per gli alimenti che bloccano le porte.
- Il prodotto non è in posizione verticale, appoggiato per terra. >>> Regolare i supporti per l'equilibrio del prodotto.
- Il pavimento non è in piano o resistente. >>> Verificare che la superficie di appoggio sia sufficientemente resistente per supportarne il peso.

Il cassetto verdura si è inceppato.

- Gli alimenti potrebbero entrare in contatto con la sezione superiore cassetto. >>> Riorganizzare gli alimenti nel cassetto.

Se La Superficie Del Prodotto È Bollente.

- Quando il prodotto è in funzione, possono essere osservate alte temperature tra i due sportelli, sui pannelli laterali e sul grill posteriore. . Ciò è normale e non richiede manutenzione!



AVVERTENZA: Qualora il problema persista dopo aver seguito le istruzioni contenute in questa selezione, contattare il proprio fornitore oppure un Servizio Autorizzato. Evitare in ogni caso di riparare il prodotto.

DISCLAIMER / AVVERTENZE

Alcuni guasti (semplici) possono essere adeguatamente gestiti dall'utente finale senza che sorgano problemi di sicurezza o utilizzi non sicuri, a condizione che vengano eseguiti entro i limiti e in conformità con le seguenti istruzioni (vedere la sezione "Riparazione fai da te").

Pertanto, salvo diversa autorizzazione nella sezione di seguito "Riparazione fai da te", le riparazioni devono essere indirizzate a manutentori professionisti registrati al fine di evitare problemi di sicurezza. Un manutentore professionista registrato è un manutentore professionista a cui è stato concesso l'accesso alle istruzioni e all'elenco dei pezzi di ricambio di questo prodotto dal produttore secondo le modalità descritte negli atti legislativi ai sensi della Direttiva 2009/125/CE.

Tuttavia, solo l'agente dell'assistenza (ovvero i manutentori professionisti autorizzati) che è possibile contattare tramite il numero di telefono indicato nel manuale dell'utente / scheda di garanzia o tramite il rivenditore autorizzato che può fornire assistenza in base ai termini di garanzia. Pertanto, si prega di notare che le riparazioni da parte di manutentori professionisti (non autorizzati da Beko) invaliderà la garanzia.

Riparazione fai da te

La riparazione fai da te può essere eseguita dall'utente finale per quanto riguarda i seguenti pezzi di ricambio: maniglie delle porte, cerniere delle porte, vassoi, cestelli e guarnizioni delle porte (un elenco aggiornato è disponibile anche su support.beko.com dal 1° marzo 2021)

Inoltre, per garantire la sicurezza del prodotto e per prevenire il rischio di lesioni gravi, la suddetta riparazione fai da te deve essere eseguita seguendo le istruzioni nel manuale utente per la riparazione fai da te o disponibili

in support.beko.com Per la propria sicurezza, scollegare il prodotto prima di tentare qualsiasi riparazione fai da te.

Tentativi di riparazione e riparazione da parte degli utenti finali per parti non incluse in tale elenco e/o che non seguono le istruzioni nei manuali utente per la riparazione fai da te o che sono disponibili in support.beko.com, potrebbe dar luogo a problemi di sicurezza non imputabili a Beko e invaliderà la garanzia del prodotto.

Pertanto, si raccomanda vivamente agli utenti finali di astenersi dal tentativo di eseguire riparazioni che non rientrano nell'elenco dei pezzi di ricambio menzionato, contattando in tali casi manutentori professionisti autorizzati o manutentori professionisti registrati. Altrimenti, tali tentativi da parte degli utenti finali possono causare problemi di sicurezza e danneggiare il prodotto e conseguentemente causare incendi, inondazioni, elettrocuzione e gravi lesioni personali.

A titolo esemplificativo, ma non esaustivo, le seguenti riparazioni devono essere indirizzate ai manutentori professionisti autorizzati o manutentori professionisti registrati: compressore, circuito frigorifero, scheda principale, scheda inverter, scheda display ecc.

Il produttore/venditore non può essere ritenuto responsabile in ogni caso in cui gli utenti finali non rispettano quanto sopra.

La disponibilità dei pezzi di ricambio frigorifero che hai acquistato è di 10 anni.

Durante questo periodo saranno disponibili ricambi originali per il corretto funzionamento frigorifero.

La durata minima della garanzia del frigorifero acquistato è di 24 mesi.

Ве молиме, прочитајте го овој прирачник пред да го користите производот!

Почитувам потрошувачу,

Би сакале да го користите најдобро што може нашиот производ кој е грижливо направен во модерни простории и со строги контроли на квалитетот.




Затоа, Ве советуваме да го прочитате целото упатство за употреба пред да го користите производот. Во случај да му го дадете производот на некој друг, не заборавајте да му го дадете упатството на новиот сопственик заедно со производот.






Ова упатство ќе Ви помогне да го користите производот брзо и безбедно.

- Ве молиме, прочитајте го внимателно упатството за употреба пред да го инсталирате и да го користите производот.
- Секогаш придржувајте се до важечките безбедносни упатства.
- Чувајте го упатството за употреба на дофат за идна употреба.
- Ве молиме, прочитајте ги сите други документи дадени со производот.

Имајте предвид дека ова упатство за употреба може да важи за повеќе модели на производи.

Упатството јасно укажува на варијациите на разните модели.




	Важни информации и корисни совети.
	Ризици за животот и за имотот.
	Ризик од струен удар.
	Пакувањето на производот е направено од материјали што може да се рециклираат, во согласност со националното законодавство за животна средина.

	ИНФОРМИИ	
	ENERGY	
<small>SUPPLIER'S NAME</small>	<small>MODEL IDENTIFIER</small>	<small>(*)</small>
		
<small>Информациите за моделот се чуваат во базата на податоци и до нив можете да стигнете ако одите на следнава веб-локација и да го побарате идентификаторот на вашиот модел (*) кој се наоѓа на налепницата за енергија.</small>		
<small>https://eprel.ec.europa.eu/</small>		

1 Безбедност и упатства за животната средина	3	5.14. Чистење на водниот резервоар	23
1.1. Општа безбедност	3	5.16. Кутија за зачини/Свежи зачини	24
1.1.1 НС-предупредување	7	(HerbBox/HerbFresh)	24
1.1.2 За модели со чешма за вода	7	5.15. Послужавник за капење	24
1.2. Наменета употреба	8	5.17. Заmrзнување свежа храна	25
1.3. Безбедност во однос на деца	8	5.18. Препораки за чување на смрзната храна	25
1.4. Усогласеност со Директивата за отпадна електрична и електронска опрема и ослободување од отпадни производи	8	5.19. Детали за за длабоко замрзнување	26
1.5. Усогласеност со Директивата за ограничување опасни супстанции	9	5.20. Ставање на храната	26
1.6. Информации за пакувањето	9	5.21. Предупредување за отворена врата	26
2 Вашиот фрижидер	10	5.22. Менување на насоката на отворање на вратата	26
3 Инсталација	11	5.23. Внатрешно светло	26
3.1. Вистинско место за инсталирање	11	5.24. Сино светло/HarvestFresh (Тазе набрано)	27
3.2. Прицврстување на пластичните делови	11	6 Одржување и чистење	28
3.3. Приспособување на садот	11	6.1. Избегнување на лоши мириси	28
3.4. Поврзување во струја	12	6.2. Заштита на пластичните површини	28
4 Подготовка	13	6.3. Стаклото на вратата	28
4.1. Што да правите за заштеда на енергија	13	7 Решавање проблеми	30
4.2. Прва употреба	13		
5 Користење на производот	14		
5.1. Панел со индикатори	14		
5.2. Кофа за мраз	18		
5.3. Сад на јајца	18		
5.4. Вентилатор	18		
5.5. Корпа за зеленчуци	18		
5.6. Корпата за млечни производи(за чување на ладно)	18		
5.7. Подвижна рамка на вратата	19		
5.8. Лизгачка кутија за складирање	19		
5.9. Корпа за зеленчук со контрола на влажност	20		
5.10. Автоматска машина за мраз	20		
5.11. Ледомат и сад за чување мраз	21		
5.12. Користење на чешмата за вода	21		
5.13. Полнење на резервоарот на чешмата за вода	22		

Овој дел дава безбедносни упатства потребни за спречување на ризик од повреда и материјална штета. Непочитувањето на овие упатства ги поништува сите видови гаранции за производот.

Наменета употреба

	<p>ПРЕДУПРЕДУВАЊЕ: Пред отворите за вентилација во затворениот дел на уредот или во вградената структура да нема никакви пречки.</p>
	<p>ПРЕДУПРЕДУВАЊЕ: Не користете механички уреди или други средства за забрзување на процесот на топење, освен оние препорачани од производителот.</p>
	<p>ПРЕДУПРЕДУВАЊЕ: Не оштетувајте го разладувачкото коло.</p>



ПРЕДУПРЕДУВАЊЕ:

Не користете струјни уреди во одделите за складирање на храна на уредот, освен ако не се од вид препорачан од производителот.

Уредот е наменет да се користи во домаќинството и слично, како што се:

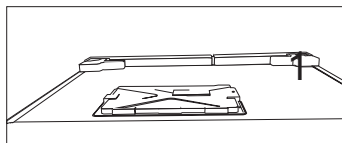
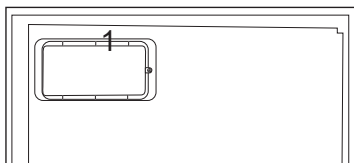
- кујни за персоналот во продавници, канцеларии и други работни средини;
- фарми и од клиенти во хотели, мотели и други станбени средини;
- пансиони и слични средини;
- кејтеринг и слични немалопродажни примени.

1.1. Општа безбедност

- Овој производ не треба да го користат лица со физички, сензорни и ментални пречки, без доволно знаење и искуство или деца. Уредот тие лица може да го користат само под надзор и водство на лице задолжено за нивната безбедност. На деца не смее да им се дозволува да играат во овој уред.

Безбедност и упатства за животната средина

- Во случај на неправилно работење, извадете ја приклучницата на уредот од струја.
- Откако ќе ја извадите приклучницата од струја, почекајте најмалку 5 минути пред да ја вклучите повторно.
- Извадете ја приклучницата кога не се користи уредот.
- Не допирајте го кабелот со мокри раце! Не влечете го кабелот за да ја извадите приклучницата, секогаш држете ја.
- Не вклучувајте го штекерот на фрижидерот во струја ако штекерот е лабав.
- Издавате ја приклучницата на производот во текот на инсталирањето, одржувањето, чистењето и поправањето.
- Ако нема да го користите извесно време производот, извадете ја приклучницата од струја и извадете ја храната однатре.
- Не користете го производот кога е отворен одделот со колни картички кој се наоѓа на горниот заден дел од производот (поклопец на кутијата на електричната картичка) (1).



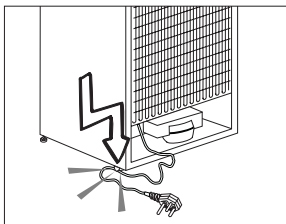
- Не користете пара или средства за чистење во облик на пареа за чистење на фрижидерот и за топење на мразот внатре. Пареата може да дојде во контакт со деловите со струја и да предизвика краток спој или струен удар!
- Не чистете го производот со шприцање или истурање вода на него! Ризик од струен удар!
- Во случај на неправилно работење, не користете го производот, може

Безбедност и упатства за животната средина

- да предизвика струен удар. Контактирајте го овластениот сервис пред да направите што било.
- Вклучете го приклучокот во приземјен штекер. Приземјувањето мора да го направи квалификуван електричар.
- Ако производот има осветлување LED, контактирајте го овластениот сервис за замена или во случај да има некаков проблем.
- Не допирајте смрзната храна со мокри раце! Може да Ви се залепи за рацете!
- Не ставајте течности во шишиња и лименки во одделеот за замрзнување. Може да пукнат и да истечат!
- Ставете ги течностите во исправена позиција откако цврсто ќе го затворите капакот.
- Не шприцајте запаливи супстанции близу производот, може да изгори или да експлодира.
- Не чувајте запаливи материјали или производи со запалив гас (спрејови итн.) во фрижидерот.
- Не ставајте садови со течност врз производот. Прскањето вода на дел во кој има струја може да предизвика струен удар или ризик од пожар.
- Изложувањето на производот на дожд, снег, сончева светлина или ветар ќе предизвикаат опасност од електричен инцидент. Кога го преместувате производот, не го влечете за рачката на вратата. Рачката може да се извади.
- Внимавајте да не фатете дел од рацете или телото во некој од подвижните делови во производот.
- Не се качувајте или потпирајте се на вратата, фиоките или слични делови од фрижидерот. Ова ќе предизвика производот да падне и ќе предизвика оштетување на деловите.

Безбедност и упатства за животната средина

- Внимавајте да не го згазите кабелот за струја.
- При поставување на уредот, осигурете дека кабелот за напојување не е прекинат или оштетен.
- Не поставувајте повеќе преносни штекери или преносни напојувања на задниот дел од уредот.



- Деца на возраст од 3 до 8 година можат да ги полнат и празнат разладните уреди.
- За да се избегне контаминација, Ве молиме почитувајте ги следните упатства:
- Отворањето врата на подолги временски периоди може да предизвика значително зголемување на температурата во деловите од уредот.

- Чистете ги редовно површините кои можат да дојдат во допир со храна и достапните системи за одвод.
- Чистете ги резервоарите со вода што не сте ги користеле 48 часа; исклучете го системот за вода поврзан со доводот на вода ако водата не е исцедена 5 дена.
- Складирајте сирова храна и риба во соодветните садови во фрижидерот, така што нема да дојдат во допир со или да прокапуваат на друга храна.
- Деловите со две ѕвезди се соодветни за складирање претходно смрзната храна, складирање и правење сладолед
- и правење коцки мраз.
- Деловите со една, две или три ѕвезди не се соодветни за смрзнување на свежа храна.
- Ако разладниот уред е оставен празен подолго време, исклучете го,

одмрзнете, исчистете, исушете и оставете

- ја вратата отворена за да спречите создавање мувла во уредот.

1.1.1 НС-предупредување

Ако производот има систем за ладење со R600a гас, внимавајте да не го оштетувате системот за ладење и цевката додека го користите и движите производот. Овој гас е запалив. Ако е општетен системот за ладење, чувајте го производот подалеку од извори на оган и извентилирајте ја веднаш собата.



Етикетата на внатрешната лева стана означува каков вид гас е користен во производот.

1.1.2 За модели со чешма за вода

- Притисокот за внес на студена вода треба да биде најмногу 90 psi (620 kPa). Ако притисокот на водата надминува 80 psi (550 kPa), користете

вентил за ограничување на притисокот во главната мрежа. Ако не знаете како да го проверите водниот притисок, побарајте помош од професионален водоводџија.

- Ако постои ризик од воден удар во инсталацијата, секога користете опрема за спречување на воден удар во вашата инсталација. Консултирајте професионални водоводџии ако не сте сигури дека нема ефект на воден удар во инсталацијата.
- Не инсталирајте на влезот за топла вода. Преземете мерки против ризикот од смрзнување на цревата. Оперативниот интервал на температурата на водата треба да биде 33°F (0,6°C) минимум и 100°F (38°C) максимум.
- Користете само вода за пиење.

Безбедност и упатства за животната средина

1.2. Наменета употреба

- Производот е наменет за домашна употреба. Не е наменет за комерцијална употреба.
- Производот треба да се користи само за складирање на храна и пијалаци.
- Не користете чувствителни поризводи на кои им требаат контролирани температури (вакцини, лекови чувствителни на топлина, медицински резерви итн.) во фрижидерот.
- Производителот не презема никаква одговорност за оштетување поради неправилна употреба или неправилно ракување.
- Оригиналните резервни делови ќе имате за 10 години по датумот на купување на производот.

1.3. Безбедност во однос на деца

- Чувајте ги подалеку од децата материјалите за пакување.

- Не дозволувајте им на децата да си играат со производот.
- Ако вратата на производот има клуч, чувајте го клучот подалеку од децата.

1.4. Усогласеност со Директивата за отпадна електрична и електронска опрема и ослободување од отпадни производи

Овој производ е во согласност со Директивата на ЕУ за отпадна електрична и електронска опрема (2012/19/EU). Овој производ има симбол за класификација за отпадна електрична и електронска опрема (Директивата за отпадна електрична и електронска опрема).



Овој производ е направен со висококвалитетни делови и материјали што може да се користат повторно и што се соодветни за рециклирање.

Кога ќе дотрае, не се ослободувајте од отпадниот производ во нормалниот домашен отпад и други отпади. Однесете го во пункт за собирање за рециклирање на електрична и електронска опрема. Ве молиме, консултирајте ги локалните власти за да дознаете за овие собирни пунктови.

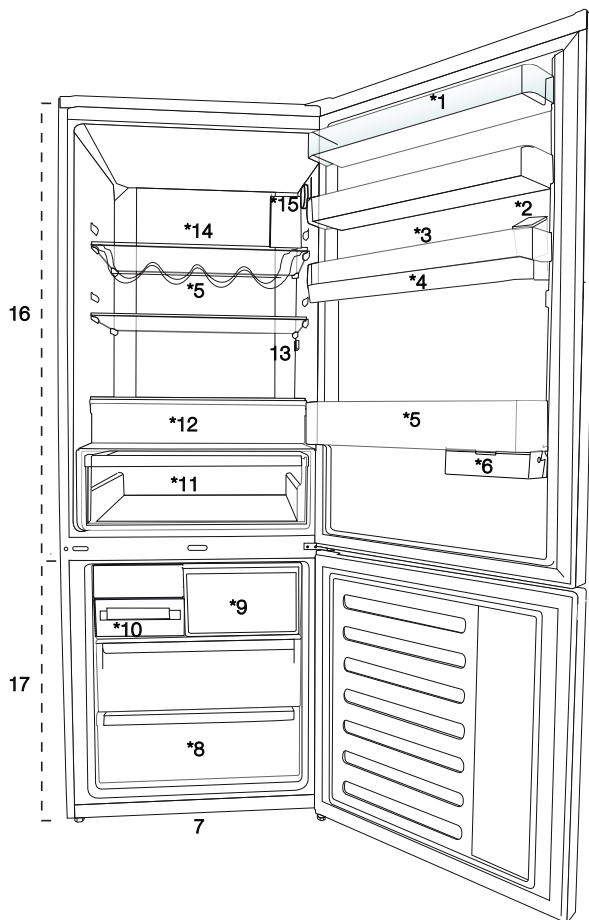
1.5. Усогласеност со Директивата за ограничување опасни супстанции

- Овој производ е во согласност со Директивата на ЕУ за отпадна електрична и електронска опрема (2011/65/EU). Не содржи штетни или забранети материјали наведени во Директивата.

1.6. Информации за пакувањето

- Материјалите за пакување на производот се произведени од материјали за рециклирање според нашите национални регулативи за животната средина. Не се одлободувајте од материјалите за пакување заедно со домашниот или други отпади. Однесете ги во пунктот за собирање материјали за пакување определени од локалните власти.

2 Вашиот фрижидер



1. Рафт на вратата на одделот за ладење
2. Резервоар за полнење на чешмата за вода
3. Дел за јајца
4. Резервоар на чешмата за вода
5. Рафт за шишиња
6. Лизгачка кутија за складирање
7. Приспособливи ногалки
8. Оддел за длабоко замрзнување
9. Оддел за брзо замрзнување
10. Послужавник за коцки мраз и резервоар за мраз
11. Корпа за зеленчуци
12. Корпата за млечни производи (за чување на ладно)
13. Внатрешно светло
14. Стаклен рафт на вратата на одделот за ладење
15. Копче за приспособување на температурата
16. Оддел за ладење
17. Оддел за замрзнување






***по избор:** Сликите во овој прирачник се дадени како слики за пример и може да не се исти како вашиот производ. Ако вашиот производ не ги содржи релевантните делови, информациите се однесуваат на други модели.

3 Инсталација

3.1. Вистинско место за инсталирање

Контактирајте го овластениот сервис за инсталирање на производот. За да го подготвите поризводот за инсталирање, погледнете ги информациите во упатството за употреба и проверете дали електричните и водните уреди се како што треба. Ако не се, повикајте електричар и водоводчија да ги наместата уредите како што треба.

	ПРЕДУПРЕДУВАЊЕ: Производителот не презема никаква одговорност за каква било штета предизвикана со работата која ја изведуваат неовластени лица.
	ПРЕДУПРЕДУВАЊЕ: Електричниот кабел на производот мора да е исклучен за време на инсталирањето. Ако не го направите тоа, може да дојде со смрт или сериозни повреди!
	ПРЕДУПРЕДУВАЊЕ: Ако ширината на вратата е премногу тесна за да помине производот, озвадете ја вратата и свртете го производот странично; ако ова не функционира, контактирајте овластен сервис.

- Ставете го производот на рамна површина за да нема вибрации.
- Ставете го производот најмалку 30 см подалеку од грејачот, шпоретот и слични извори на топлина и најмалку 5 см од електрични рерни.
- Не изложувајте го производот на директна сончева светлина и не го чувајте во влажна средина.
- На производот му треба соодветна воздушна циркулација за да функционира ефикасно.
- Ако производот се става во вдлабнатина во сидот, не заборавајте да оставите растојание од најмалку 5 см помеѓу производот и плафонот и сидовите.
- Не инсталирајте го производот во средина во која температурите се под -5°C .

- За да функционира ефикасно, на овој производ му треба соодветна циркулација на воздух. Ако го сместувате производот во ниша, оставете најмалку 5 сантиметри простор помеѓу производот, плафонот и сидовите.
- Ако го сместувате производот во ниша, оставете најмалку 5 сантиметри простор помеѓу производот, плафонот и сидовите. Проверете дали заштитната компонентата за обезбедување оддалеченост од сид е на своето место (ако е доставена со производот). Ако компонентата не е достапна или ако се изгубила/паднала, ставете го производот така што ќе има најмалку 5 сантиметри меѓу производот и сидовите на собата. Растојанието на задниот дел е важно за ефикасното работење на производот.

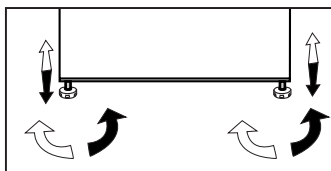
3.2. Прицврстување на пластичните делови

Со пластините делови дадени со производот за да обезбедите доволно простор за воздушна циркулација помеѓу производот и сидот.

1. Да да ги прикачите деловите, извадете ги завртките на производот и користете ги завртките обезбедени со деловите.
2. Прикачете 2 пластични делови на поклопецот на вентилацијата, како што е прикажано на сликата.

3.3. Приспособување на садот

Ако производот не е во балансирана позиција, приспособете ги предните приспособливи држачи со ротирање десно или лево.



3.4. Поврзување во струја

	ПРЕДУПРЕДУВАЊЕ: Не користете продолжителни или повеќе штекери при поврзување во струја.
	ПРЕДУПРЕДУВАЊЕ: Оштетениот струен кабел мора да го замени овластениот сервис.
	Кога ставате два ладилника еден наспроти друг, оставете најмалку 4 см растојание помеѓу двете единици.

- Нашата фирма не може да преземе одговорност за оштетувања поради користење без заземјување и електрична врска во согласност со националните регулативи.
- Приклучокот на кабелот за струја мора да е лесно достапен по инсталирањето.
- Поврзете го фрижидерот во заземјен штекер со волтажа од 220-240V/50 Hz. Приклучокот мора да е 10-16A осигурувач.
- Не користете групни штекери со или без продолжен кабел помеѓу сидниот штекер и фрижидерот.

	<p>Предупредување за врела содржина!</p> <p>Во страничните сидови на производот има цевки за разладување што го подобруваат системот за ладење. Разладувачка течност со високи температури може да тече низ овие овие области, правејќи ги деловите на страничните сидови врели. Ова е нормално и нема потреба да се поправа. Ве молиме, внимавајте кога ги допирате овие области.</p>
--	--

4.1. Што да правите за заштеда на енергија

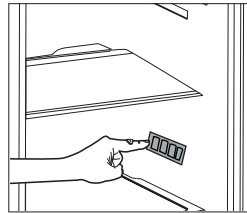


Поврзувањето на производот за електронски системи за заштеда на енергија е штетно, може да го оштети производот.

- Самостоен уред; „овој фрижидер не е наменет да се користи како уред за вградување“;
- Не држете ги вратите на фрижидерот отворени долго време.
- Не ставајте топла храна или пијалаци во фрижидерот.
- Не преполнувајте го фрижидерот, блокирањето на интерниот проток на воздух ќе го намали капацитетот на ладење.
- За да се чува максимална количина на храна во одделеот за ладење на фрижидерот, треба да ги извадите горните фиоки и да ја ставите на стаклениот рафт. Наведената потрошувачка на струја на вашиот фрижидер беше определена со вадење на ладилникот, послужавникот за мраз и горните фиоки за да се овозможи максимално складирање. Строго се препорачува да се користи долната фиока при чување. Треба да се активира функцијата за заштеда на енергија за најдобра потрошувачка на енергија.
- Не треба да го блокирате протокот на воздух со ставање на храна пред вентилаторот на ладилникот. Простор од најмалку 3 см мора да се остави пред заштитната жица на вентилаторот кога ја ставате храната.
- Во зависност од карактеристиките на производот; одмрзнувањето на замрзната храна во одделот за ладење ќе обезбеди заштеда на енергија и зачувување на квалитетот на храната.
- Храната треба да се чува со фиоките во одделот за ладење за да се обезбеди заштеда на енергијата и да се заштити храната во подобри услови.
- Пакувањата храна не треба да бидат во директен контакт со топлински сензор Фрижидер/Упатство за употреба

лоциран во одделот за ладење. Ако тие се во контакт со сензорот, може да се зголеми енергетската потрошувачка на уредот.

- Проверете храната да не е во контакт со температурниот сензор на одделот за ладење опишан подолу.
- Бидејќи топлиот и влажен воздух директно не навлегуваат во вашиот производ кога вратите не се отворени, вашиот производ ќе се оптимизира во услови доволни за заштита на вашата храна. Во оваа функција за зачувување енергија, функциите и составните делови како компресор, вентилатор, грејач, замрзнувач, осветлување, дисплеј ќе работат и други, ќе работат во согласност со потребите за трошење минимална електрична енергија и истовремено вашата храна ќе биде свежа.



4.2. Прва употреба

Пред да го користите фрижидерот, проверете дали се направени потребните подготовки според упатствата во деловите „Упатства за безбедноста и за средината“ и „Инсталација“.

- Производот нека работи без храна во него 6 часа и не отворајте ја вратата, освен ако не е баш неопходно.



Ќе се слушне звук кога работи компресорот. Нормално е да се слуша звук дури и компресорот е неактивен, поради компримираните течности и гасови во системот за ладење.



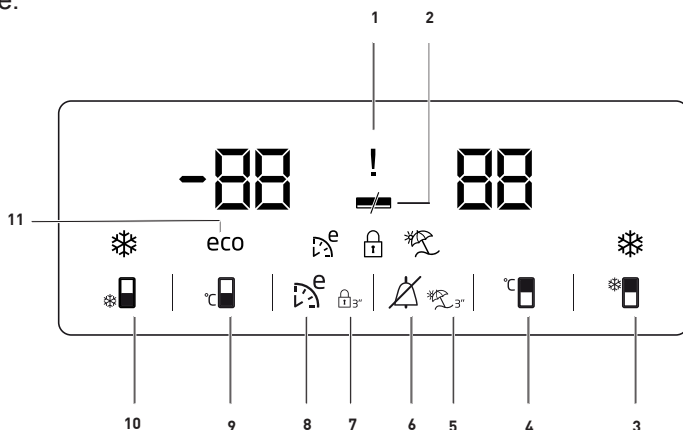
Може да се загреат предните рабови на производот. Ова е нормално. Овие области се дизајнирани да се загреат за да се спречи кондензирање.



Во некои модели, плочата со панели автоматски се исклучува 5 минути откако ќе се затвори вратата. Ќе се реактивира кога ќе се отвори вратата или ќе се притисне кое било копче.

5.1. Панел со индикатори

Панелот со индикаторите ви овозможува да ги поставите температурата и контролата врз другите функции поврзани со производот без да ја отворате вратата. Само притиснете на сликите за соодветните копчиња кај поставките за функциите.



1. Снемување струја / Висока температура / Индикатор за статус на грешка

Овој индикатор (!) светнува во случај на снемување струја, висока температура или предупредување за грешка.

Кога температурата на одделот за замрзнување ќе се загрее до критично ниво за замрзната храна, максималната вредност која ја достигнува температурата во одделот за замрзнување трепери на дигиталниот индикатор.

Проверете ја храната во одделот за замрзнување.

Не се работи за грешка во работата.

Предупредувањето може да се исклучи со притискање на кое било копче или на копчето за исклучување на алармот за висока температура. (Откажувањето со притискање

на кое било копче не е применливо за сите модели.)

Овој индикатор (!) светнува кога ќе дојде и до грешка на сензор. Кога овој индикатор ќе светне, на индикаторот за температура алтернативно се прикажуваат „E“ и цифри како „1, 2, 3...“. Овие цифри на индикаторот ги известуваат сервисерите за грешката.

2. Функција за штедење енергија (исклучен приказ):

Ако вратите на ладилникот се затворени долго, функцијата за енергетска заштеда се вклучува автоматски и засветува симболот за заштеда на енергијата. (🔋)

Кога е активна функцијата за штедење енергија, сите симболи на екранот, освен




***По избор:** Сликите во ова упатство за употреба се сметаат за нацрт и може да не одговараат најдобро на производот. Ако вашиот производ не ги содржи релевантните делови, информациите се однесуваат на други модели.

Користење на производот

симболот за штедење енергија, ќе се изгасат. Кога е активна функцијата за штедење енергија и ако се притисне кое било копче или ако се отвори вратата, функцијата за штедење енергија ќе се откаже и симболите на екранот ќе светат нормално.

Функцијата за енергетска заштеда е активирана согласно фабричките поставки и не може да се откаже.

3. Функција за брзо ладење

Копчето има две функции. Притиснете го ова копче накусо за да ја активирате или дезактивирате функцијата за брзо ладење. Индикаторот за брзо ладење ќе се исклучи и производот ќе се врати на нормалните поставки. ()



Користете ја функцијата за брзо ладење кога сакате да брзо да ја изладите храната што ќе ја ставите во одделот за ладилникот. Ако сакате да изладите големи количини свежа храна, активирајте ја оваа функција пред да ја ставите храната во ладилникот.



Ако не ја исклучите, функцијата за брзо ладење ќе се исклучи автоматски по околу 1 час или кога температурата во одделот за ладење ќе ја постигне потребната температура.




Ако го притискате копчето за брзо ладење повторливо на кратки интервали, заштитата на електричното коло ќе се активира и компресорот нема да се вклучи веднаш.





Оваа функција не се обновува кога ќе се врати напојувањето при снемивање струја.

4. Копче за поставување на температурата во одделот на ладилникот


Притиснете го ова копче за да ја поставите температурата на одделот за ладење на 8,7,6, 5,4,3, 2, 1, 8... соодветно. Притиснете го ова копче за да ја поставите температура во одделот на ладилникот на саканата вредност. ()

5. Функција за одмор

За да ја активирате функцијата за одмор, притиснете го ова копче () 3 секунди и индикаторот за режимот за одмор () ќе се активира. Кога е активна функцијата за одмор, „-“ се прикажува кај индикаторот за температурата во одделот за ладење и нема активно ладење во овој оддел. Не е добро да чувате храна во одделот за ладење кога е активирана оваа функција. Другите оддели ќе се ладат и понатаму согласно поставените температури. За да ја откажете оваа функција, притиснете го повторно копчето за функцијата за одмор.



Користење на производот


6. Прекинување на предупредувањето за висока температура:

Во случај на предупредување за снемумање струја/висока температура, може да го избришете предупредувањето () со притискање на кое било копче на индикаторот или копчето за исклучување на алармот за висока температура во времетраење од една секунда по проверување на храната во одделот за замрзнување.

Забелешка: Откажување со притискање на кое било копче не е применливо за сите модели.


7. Блокирано

Притиснете го копчето за блокирани копчиња () без да го отпуштите 3 секунди. Символ за блокирани копчиња () ќе засвети и ќе се активира режимот за блокирани копчиња. Копчињата нема да функционираат додека е активен режимот за блокирани копчиња. Притиснете го копчето за блокирани копчиња без да го отпуштите 3 секунди уште еднаш. Символот за блокирани копчиња ќе се изгасне и режимот за блокирани копчиња ќе се исклучи.

Притиснете го копчето за **блокада на копчињата** ако сакате да спречите промена во поставката за температурата на ладилникот ().

8. Еко-функција


Притиснете и држете го копчето за еко-функција 1 секунда за да ја активирате функцијата за еколошка функција. Ладилникот ќе започне да работи на најекономичен

начин најмалку 6 часа подоцна и индикаторот за економична работа ќе се вклучи кога ќе се активира оваа функција (). Притиснете и држете го копчето за еко-функција 3 секунди за да ја дезактивирате еколошката функција.

Овој индикатор засветува по 6 часа од активирање на еколошката функција.


9. Копче за поставување температура во одделот на замрзнувачот

Притиснете го ова копче и поставете ја температурата во замрзнувачот на -18,-19,-20,-21,-22, -23,-24, -18... по потреба.




Притиснете го ова копче за да ја поставите температура во одделот на замрзнувачот на саканата вредност. ()

10. Копче за функцијата за брзо замрзнување/копче за вклучување-исклучување на создавањето мраз

Притиснете го ова копче за да ја активирате или дезактивирате функцијата за брзо замрзнување. Кога ќе ја активирате оваа функција, одделот за замрзнувачот ќе се излади на температура под поставената вредност.

() Притиснете и задржете го копчето за создавање мраз 3 секунди за да ја вклучите и исклучите оваа функција.


Користење на производот

	Користете ја функцијата за брзо замрзнување кога сакате да брзо да ја замрзнете храната што ќе ја ставите во одделот за замрзнување. Ако сакате да замрзнете големи количини свежа храна, активирајте ја оваа функција пред да ја ставите храната во замрзнувачот.
	Ако не ја исклучите, функцијата за брзо замрзнување ќе се исклучи автоматски по околу 24 часа или кога температурата во одделот за ладење ќе ја постигне потребната температура.
	Оваа функција не се обновува кога ќе се врати напојувањето при снемвање струја.

11. Индикатор за економична искористеност

Посочува дека производот работи во режим за енергетски ефикасно ладење. (eco) заради функцијата за дополнителна еко-заштита.

Овој индикатор ќе се активира ако температурата во одделот на замрзнувачот е поставена на -18 или ако се извршува енергетски ефикасно ладење заради функцијата за дополнителна еко-заштита.

	Индикаторот за економска искористеност се исклучува кога ќе се изберат функциите за брзо ладење или за брзо замрзнување.
---	--

5.2. Кофа за мраз

*по избор:

- Земете ја кофата за мраз од одделот за замрзнување.
- Наполнете ја кофата со мраз со вода.
- Земете ја кофата за мраз во одделот за замрзнување.
- Мразот ќе биде готов после околу два часа. Земете ја кофата со мраз од одделот за замрзнување и свиткајте ја малку преку садот што ќе го сервираате. Мразот лесно ќе се пренесе во садот за сервирање.

5.3. Сад на јајца

Може да ставите сад за јајца. Ако решите да го ставите на рафто на телото, се препорачува да ги користите полиците подолу бидејќи се постудени.

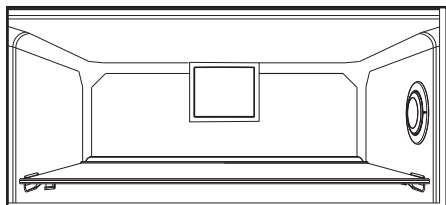


Не ставајте го садот за јајца во одделот за замрзнување.

5.4. Вентилатор

Вентилаторот е дизајниран за да дистрибуира студен воздух во фрижидерот хомогено. Работното време на вентилаторот може да се менува во зависност од карактеристиките на Вашиот производ.

Додека во некои производи вентилаторот функционира само со компресот, во други, контролниот систем го определува работното време во зависност од потребата за ладење.



5.5. Корпа за зеленчуци

*по избор

Корпата за зеленчуци на производот е дизајнирана да ги држи зеленчуците свежи со задржување на влажноста. За таа цел, целосното циркулирање на студениот воздух е засилено во корпата со зеленчуци.

5.6. Корпата за млечни производи(за чување на ладно)

Обезбедува пониска температура во самата преграда на фрижидерот. Користете ја оваа корпа за да чувате деликатеси (салами, кобасици, млечни производи итн.) за кои е потребна пониска температура или за ставање производи од месо, пилешко или риба кратко пред да се сервираат. Во оваа корпа немојте да чувате овошје и зеленчук.

5.7. Подвижна рамка на вратата

*по избор

Подвижната рамка на вратата може да се намести во 3 различни позиции.

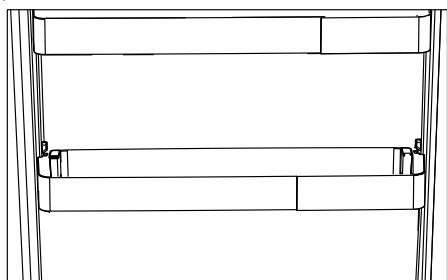
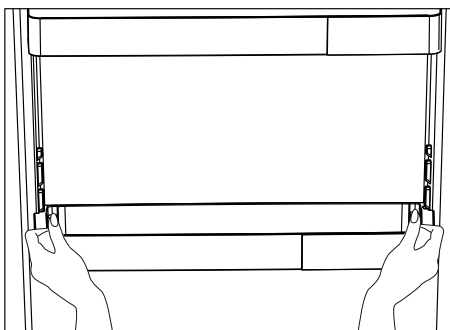
За да ја поместите рамката, притиснете ги рамномерно копчињата на страната.

Ќе може да ја поместите рамката.

Движете ја рамката нагоре или надолу.

Кога рамката е во позицијата што ја посакувате, пуштете ги копчињата.

Рамката ќе се фиксира повторно во позицијата каде што сте ги пуштиле копчињата.

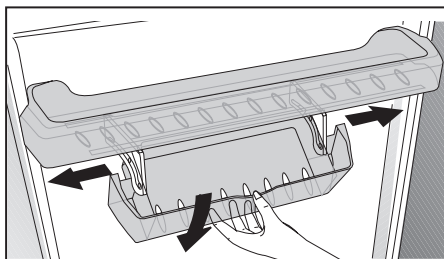


5.8. Лизгачка кутија за складирање

*по избор

Овој додаток е дизајниран за да ја зголеми површината на рафтовите на вратата.

Благодарение на можноста за движење странично, може лесно да ставите високо шише, тегла или кутии што се ставаат на рафотот за шишиња подолу.



Користење на производот

5.9. Корпа за зеленчук со контрола на влажност

*по избор

Со опцијата за контрола на влагата, степенот на влажност на зеленчуците и овошјата се контролира и овозможува поголем период на свежина за храната.

Се препорачува да не се складираат лиснати зеленчуци, како марула и спанаќ и слични зеленчуци склони на губење на влага, на корењата, туку во хоризонтална положба во корпата за зеленчуци што е можно повеќе.

Кога ги ставате зеленчуците, ставете ги тешките и тврди зеленчуци на дното, а лесните и меките горе, имајќи ја предвид специфичната тежина на зеленчуците.

Не оставајте ги зеленчуците во корпата за зеленчуци во пластични кеси. Ако ги оставите во пластични кеси, зеленчуците ќе скапат за кусо време. Во ситуации во кои не се препорачува контакт со други зеленчуци, користете материјали за пакување како хартија што има одредена порозност, во смисла на хигиената.

Не ставајте овошје кое произведува голема количина на етиленски гас, како што се крушата, кајсијата, праската и особено јаблуката, во истата корпа за зеленчуци со други зеленчуци и овошја. Етиленот што доаѓа од овие овошја може да предизвика други зеленчуци и овошја да созреат побрзо и да скапат побрзо.

5.10. Автоматска машина за мраз

*по избор

Со автоматската машина за мраз може лесно да правите мраз во фрижидерот. За да добиете мраз од машината за мраз, извадете го резервоарот за вода во одделот за ладење, наполнете го со вода и вратете го на место.

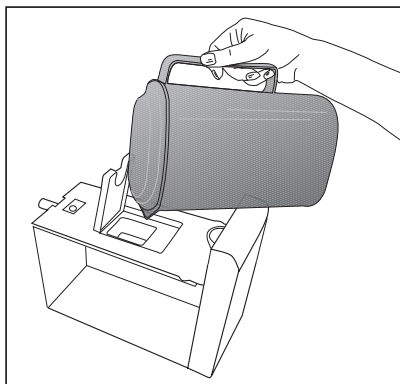
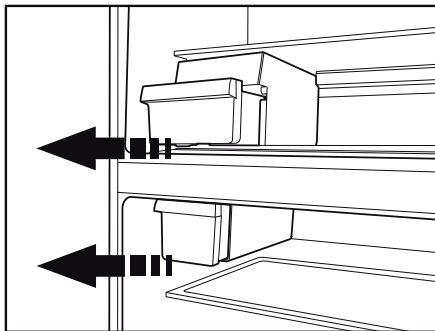
Првиот мраз ќе биде готов за два часа во фиоката на машината за мраз во одделот за ладење.

По ставање на полниот воден резервоар, може да добиете околу 60-70 коцки мраз додека не се испразни целосно.

Ако водата стоела во резервоарот 2-3 седмици, треба да се смени.



Во производи со автоматска машина за лед, може да слушнете звук кога ставате мраз. Овој звук е нормален и не е знак на неправилно работење.



5.11. Ледомат и сад за чување мраз

*по избор

Користење на ледоматот

Наполнете го ледоматот со вода и ставете го на лежиштето. Мразот ќе биде готов за околу два часа. Не го вадете ледоматот од лежиштето за да земете мраз.

Свртете ги рачките на резервоарот на мраз во правец на движење на стрелките на часовникот за 90 степени.

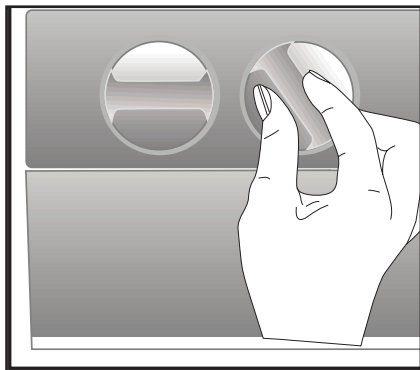
Коцките мраз во резервоарите ќе паднат во садот за чување на мраз под нив.

Може да го извадите садот за чување на мраз и да ги сервираите коцките мраз.

Ако сакате, може да ги чувате коцките мраз во садот за чување мраз.



Сад за чување мраз

Садот за чување мраз е наменет само за акумулирање на коцки мраз. Не ставајте вода во него. Инаку ќе се скрши.

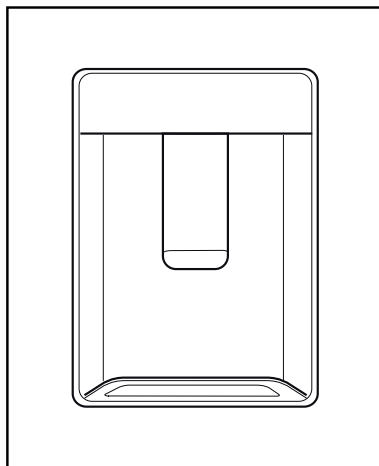


5.12. Користење на чешмата за вода

*по избор

	Нормално е првите неколку чаши вода од чешмата за вода да бидат топли.
	Ако чешмата за вода не се користи долго време, фрлете ги првите неколку чаши вода за да добиете чиста вода.

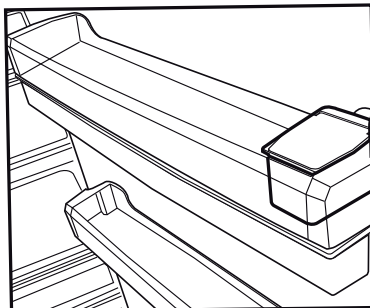
1. Притиснете ја рачката на чешмата за вода со чашата. Ако користите чаша од мека пластика, притискањето на рачката со раката ќе биде полесно.
2. Откако ќе ја наполните чашата до нивото што го сакате, опуштете ја рачката.



Користење на производот



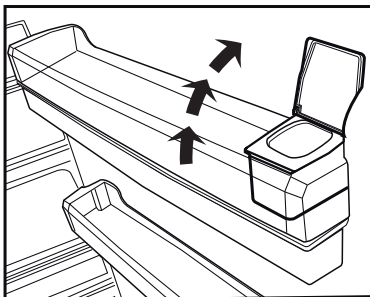
Ве молиме, имајте предвид, колку вода тече од чешмата зависи од тоа колку сте ја притиснале рачката. Како што нивото на водата во шолјата/чашата расте, нежно намалете го притисокот на рачката за да не претече. Ако малку ја притиснете дршката, ќе тече вода; ова е доста нормално и не е неправилно работење.



5.13. Полнење на резервоарот на чешмата за вода

Резервоарот за полнење на садот за вода е лоциран во рамката на вратата.

1. Отворете го капакот на резервоарот.
2. Наполнете го резервоарот со свежа вода за пиење.
3. Затворете го капакот.



Не полнете го резервоарот со вода со друга течност освен со вода како што се овошни сокови, газирани или алкохолни пијалаци што не се соодветни за чешмата за вода. Чешмата за вода ќе биде трајно оштетена ако се користат овие видов течност. Гаранцијата не покрива такво користење. Некои хемиски супстанции и адитиви содржани во овој вид пијалаци/течности може да го повредат резервоарот за вода.



Користете само вода за пиење.



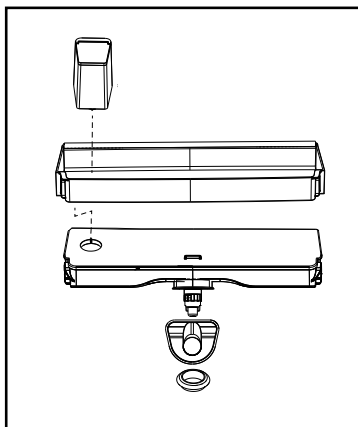
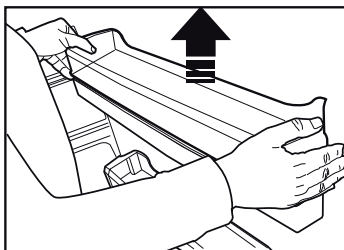
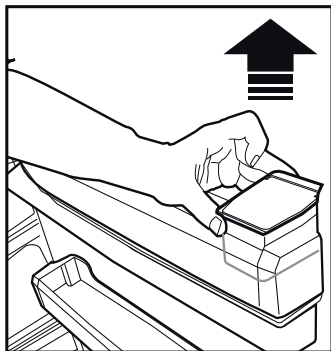
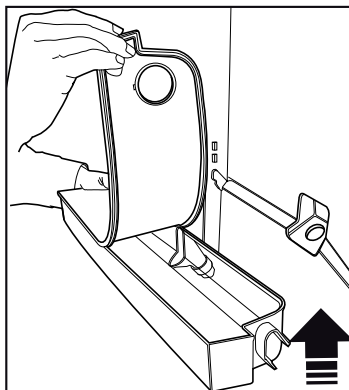
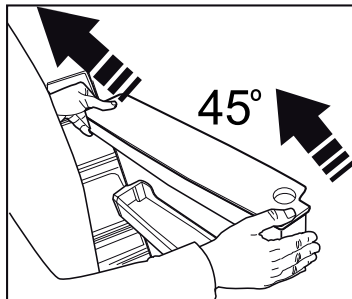
Капацитеот на водниот резервоар е 3 литри; не преполнувајте.

5.14. Чистење на водниот резервоар

1. Извадете го резервоарот за полнење вода на полицата на вратата.
2. Тргнете ја рамката на вратата држејќи ја за двете страни.
3. Грабнете го водниот резервоар од двете страни и тргнете го под агол од 45°C.
4. Тргнете го капакот на водниот резервоар и исчистете го резервоарот.



Компонентите на водниот резервоар и водната чешма не треба да се мијат во мапината за миење садови.

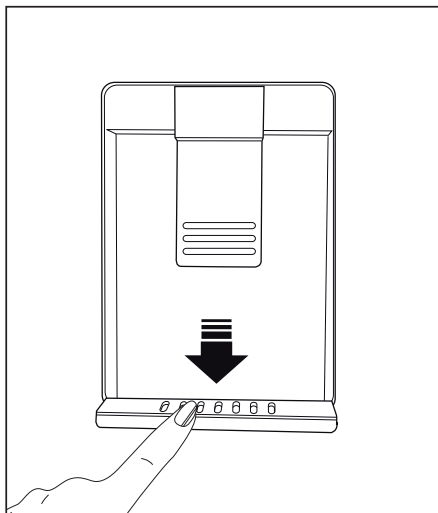


5.15. Послужавник за капење

Водата што тече додека ја користите чешмата за вода се акумулира во послужавникот за течење.

Тргнете го пластичниот филтер како што е покажано на сликата.

Со чиста и сува крпа, тргнете ја водата што се акумулирала.



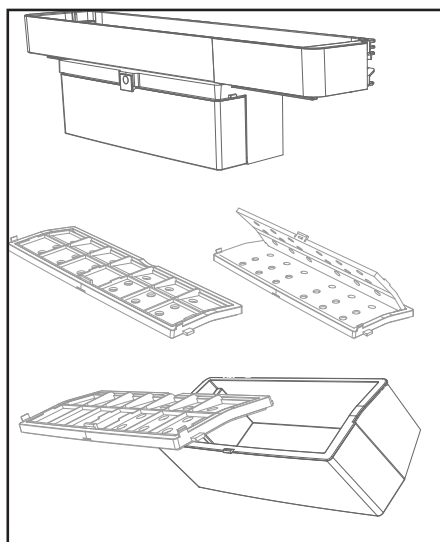
5.16. Кутија за зачини/Свежи зачини (HerbBox/HerbFresh)

Отстранете го садот со филм од кутијата за зачини/свежи зачини+ Извадете го филмот од кутијата и ставете го во садот за филм како што е прикажано на сликата.

Затворете го повторно садот и вратете го во кутијата за зачини/ свежи зачини+.

Кутиите за зачини/свежи зачини се особено добри оддели за чување разни зачини што се поделикатни. Во нив неисечканите зачини (магданос, копар и сл.) се чуваат во хоризонтална положба и многу подолго остануваат свежи.

Филмот се менува на шест месеци.



5.17. Замрзнување свежа храна

- За да го зачувате квалитетот на храната, храната ставена во одделот за замрзнување мора да се замрзне што може побрзо, користете брзо замрзнување за ова.
- Замрзнувањето на храна кога е свежа ќе го продолжи времето на чување во одделот за замрзнување.
- Спакувајте ја храната во садови без воздух и затворете ја цврсто.
- Проверете дали храната е спакувана пред да ја ставите во замрзнувачот. Користете држачи за замрзнување, алуминиум и хартија која не се влажни, пластични кеси или слични материјали за покување наместо традиционална хартија за пакување.



Мразот во одделот за замрзнување се топи автоматски.

- Означете го секое пакување со храна со датум пред замрзнување. Така ќе

може да ја одредите свежината на секое пакување секојпат кога ќе го отворите замрзнувачот. Чувајте ја порано ставената храна напред за да се осигурите дека ќе се искористи прва.

- Замрзнатата храна мора да се искористи веднаш по одмрзнување и не треба да се замрзнува повторно.
- Не замрзнувајте одеднаш големи количини храна.

5.18. Препораки за чување на смрзната храна

Одделот мора да биде ставен на најмалку -18°C .

1. Ставете ја храната во замрзнувачот најбрзо што можете да за избегнете одмрзнување.
2. Пред замрзнување, проверете го датумот на истекување на пакувањето за да проверите дека не е истечен.
3. Проверете дали пакувањето на храната не е оштетено.

Поставување на температурата во одделот за замрзнување	Поставување на температурата во одделот за ладење	Детали
-18°C	4°C	Ова е стандардната, препорачана поставка.
$-20, -22$ или -24°C	4°C	Овие поставки се препорачуваат за амбиентални температури над 30°C .
Брзо замрзнување	4°C	Користете го кога сакате за кусо време да ја замрзнете храната. Кога ќе заврши процесот, производот ќе се врати на позицијата.
-18°C или постудено	2°C	Користете го овие поставки ако мислите дека одделот за ладење не е доволно студен поради амбиенталната температура или честото отворање на вратата.

Користење на производот

5.19. Детали за за длабоко замрзнување

Според стандардите на IEC 62552, замрзнувачот мора да има капацитет за замрзнување на 4,5 кг храна или смалете ја температурата во 24 часа за секои 100 литри на површината на замрзнувачот. Храната може само да се чува подолги периоди на или под температура од -18°C . Може да ја чувате храната свежа со месеци (во замрзнувачот на или под температура од 18°C).

Храната што се замрзнува не смее да ја допре веќе замрзнатата храна внатре за да се избегне делумно одмрзнување. Сварете ги зеленчуците и филтрирајте ја водата за да го продолжите времето на чување. Ставете ја храната во вакумирани пакувања по филтрирање и ставете ги во фрижидерот. Банани, домати, марула, целер, варени јајца, компири и слична храна не треба да се смрзнува. Ако оваа храна скапе, само хранливите вредности и вкусот ќе бидат влошени. Не станува збор за скапување опасно за здравјето на луѓето.

5.20. Ставање на храната

Рафтови во одделот на замрзнувачот	Некои видови замрзната храна, вклучувајќи месо, риби, сладолед, зеленчук итн.
Рафтови во одделот на замрзнувачот	Храната во тенџериња, затворени садови и затворени пакувања, јајца (во затворени пакувања)
Рафт на вратата на одделот за ладење	Мали и пакувани храна и пијалаци
Корпа за зеленчуци	Овошје и зеленчук

Оддел за свежа храна	Деликатесна храна (храна за доручек, месни производи што треба да се исконсумираат за кусо време)
----------------------	---

5.21. Предупредување за отворена врата (По избор)

Звучно предупредување ќе се слушне ако вратата на производот остане отворена најмалку една минута. Аудио предупредувањето ќе прекине кога вратата е затворена или некое копче на екранот (ако е достапно) е притиснато. Предупредувањето за отворена врата е и звучно и визуелно. Интерното светло ќе се исклучи ако предупредување продолжи 10 минути.

5.22. Менување на насоката на отворање на вратата

Може да ја смените насоката на отворање на фрижидерот во зависност од локацијата на која го употребувате. Кога ви треба тоа, консултирајте се со најблиската овластена служба.

Објаснувањето погоре е општа изјава.

Треба да ја проверите предупредувачката етикета лоцирана во пакувањето на производот за променливоста на насоката на вратата.

5.23. Внатрешно светло

Внатрешното светло користи ЛЕД-сијалици. Контакттирајте го овластениот сервис за какви било проблеми со оваа сијалица.

Сијалицата/сијалиците користени во овој уред не може да се користат за домашно осветлување. Наменетата употреба на оваа сијалица е да му помогне на корисникот да ја стави храната во фрижидерот/замрзнувачот безбедно и удобно.

5.24. Сино светло/HarvestFresh (Тазе набрано)

*Може да не е достапно кај сите модели

За синото светло

Овошјето и зеленчукот складирани во кутиите за свеж зеленчук кои се осветлени со сина светлина ја продолжуваат својата фотосинтеза со помош на ефектот за бранова должина на сино светло и така ги задржуваат своите витамини.

За HarvestFresh,

Овошјето и зеленчукот складирани во кутии за свеж зеленчук со технологијата HarvestFresh ги задржуваат своите витамини подолго време благодарение на циклусите со сино, зелено, црвено светло и темнина, кои го симулираат дневниот циклус.

Ако ја отворите вратата на фрижидерот во текот на темниот период на технологијата HarvestFresh, фрижидерот автоматски ќе го детектира и активира синозеленото или црвеното светло за да ја осветли кутијата за свежи производи по ваша желба. Откако ќе ја затворите вратата на фрижидерот, ќе продолжи темниот период, претставувајќи го вечерниот циклус од дневниот циклус.

Векот на траење на производот се продолжува ако се чисти редовно



ПРЕДУПРЕДУВАЊЕ: Прво извадете го кабелот од струја пред да го чистите фрижидерот.

- Никогаш не користете остри или абразивни алатки, сапун, средства за чистење во домаќинството, детергенти и восочен полир за чистење.
- Растворете една малечка лажица сода бикарбона на половина литар вода. Накиснете крпа со растворот и исцедете ја темелно. Избришете ја внатрешноста на уредот со оваа крпа и исушете ја темелно.
- Проверете да не влегува вода во кукиштето на сијалицата и другите електрични предмети.
- Исчистете ја вратата со влажна крпа. За да извадите вратата и рафовите на телото, извадете ја сета содржина. Извадете ги рафовите со движење нагоре. По листењето, излизгајте ги од горе до долу за да ги инсталирате.
- Никогаш не користете средства за чистење или вода што содржи хлор за да ги чистите надворешните површини и деловите обложени со хром на производот. Хлорот предизвикува корозија на такви метални површини.
- Не користете, остри алатки, сапун, средства за чистење, детергенти, керозин, нафта, лак итн., за да спречите вадење или деформирање на написите на пластичниот дел. Користете млека вода и мека крпа за чистење и потоа и исушете.

6.1. Избегнување на лоши мириси

Во производството на нашите уреди не се користени материјали што може да предизвикаат мирис. Сепак поради несоодветните услови за лување храна и нечистењето на внатрешната површина на уредот како што треба, може да се појави проблем со мирисот.

Затоа, чистете го фрижидерот со вода со растворена сода секои 15 дена.

- Чувајте ја храната во затворени садови. Микроорганизмите што се шират од непокриените садови може да предизвикаат непријатни мириси.
- Во фрижидерот никогаш не чувајте храна што има истечен датум на користење и што е расипана.

6.2. Заштита на пластичните површини

Исчистете ги веднаш со топла вода бидејќи маслото може да ги оштети површините ако се стави на пластика.

6.3. Стаклото на вратата

Извадете ја заштитната фолија од стаклата. Има облога на површината на стаклата. Оваа површина го минимизира наталожувањето и помага да се отстраната можните дамки и нечистотија. Стаклата што не се заштитени со таков слој може да се предмет на постојано поврзување на нечистотија од воздух или вода, како што се варовникот, минералните соли, неизгорените јаглеводороди, металните оксиди и силиконите што може лесно и брзо да предизвикаат дамки или оштетување на материјалот. Одржувањето на стаклото чисто станува тешко и покрај редовното чистење. Поради тоа, изгледот и транспарентноста на стаклото се влошуваат. Грубите и корозивните методи за чистење и соединенија ги интензивираат овие дефекти и го забрзуваат процесот на распаѓање.

Производите за чистење врз база на вода што не се лакални и корозивни мора да се користат за редовно чистење.

Неалкалните и некорозивните метеријали мора да се користат за чистење за да може облогата да трае подолго време.

Овие стакла се термички обработени за да се зголеми нивната издржливост против удари и кршење. Безбедносен филм исто така се применува на нивната површина како дополнителна мерка на безбедност за да се спречи да предизвикаат оштетување во средината ако се скршат.

*Алкалите се база што формира хидроксидни јони (OH^-) кога ќе се раствори во вода.

Li (литиум), Na (натриум), K (калиумот) Rb (рубидиумот), Cs (цезиумот) и вештачките и радиоактивни Fr (Fap-sium) метали се наречени АЛКАЛНИ МЕТАЛИ.

Проверете го списокот пред да повикате сервис. Ќе ви заштеди време и пари. Овој список ги опфаќа честите поплаки што не произлегуваат од неправилна работа или употреба на материјали. Одредени спомнати одлики може да не се однесуваат на вашиот производ.

Ако ладилникот не работи.

- Приклучокот за струја не е наместен убаво. >>> Приклучете го убаво да влезе во штекерот.
- Осигурувачот за штекерот што обезбедува струја за производот или главниот осигурувач се прегорени. >>> Проверете ги осигурувачите.

Се јавува кондензација на страничните ѕидови во одделот на ладилникот (ПОВЕЌЕНАМЕНСКА ЗОНА, КОНТРОЛА НА ЛАДЕЊЕТО И ФЛЕКСИБИЛНА ЗОНА).

- Средината е многу студена. >>> Не поставувајте го производот во средина каде што температурата се спушта под -5 °C.
- Вратата се отвора многу често >>> Внимавајте да не ја отворате вратата многу често.
- Има многу влага во средината. >>> Не поставувајте го производот во средина со влага.
- Течната храна се чува во садови без капак. >>> Чувајте ја течната храна во затворени садови.
- Вратата на производот е оставена отворена. >>> Не оставајте ја вратата отворена долго.
- Термостатот е поставен на ниска температура. >>> Поставете го термостатот на соодветната температура.

Компресорот не работи.

- Ако снеса струја или ако го извлечете приклучокот од штекерот и потоа повторно го приклучите, притисокот на гасот во системот за ладење на производот нема да биде рамномерен што предизвикува вклучување на термичката заштита на компресорот. Производот ќе се рестартира по околу 6 минути. Повикајте сервисер ако производот не се рестартира по овој период.
- Вклучено е одмрзнувањето. >>> Ова е нормално за целосно автоматизиран процес на одмрзнување. Одмрзнувањето се извршува периодично.
- Производот не е вклучен. >>> Проверете дали кабелот за струја е вклучен.
- Поставката за температура не е точна. >>> Изберете соодветна поставка за температурата.
- Нема струја. >>> Производот ќе продолжи да работи кога ќе дојде струја.

Буката од работата на ладилникот се зголемува додека работи.

- Работата на производот може да се разликува во зависност од промените на температурата во средината. Тоа е нормално и не е грешка.

Ладилникот работи многу често или многу долго.

Решавање на проблеми

- Новиот производ веројатно е поголем од претходниот. Поголемите производи работат подолго.
- Температурата во просторијата е висока. >>> Производот нормално ќе работи подолго ако има висока температура во просторијата.
- Производот бил приклучен неодамна или ставена е нова храна. >>> На производот му треба повеќе време да ја достигне поставената температура кога е вклучен неодамна или ако се стави нова храна во него. Тоа е сосема нормално.
- Ставена е поголема количина врела храна во производот. >>> Не ставајте врела храна во ладилникот.
- Вратите се отвораат често или биле оставени отворени подолго. >>> Топлиот воздух влегува внатре и затоа производот работи подолго. Не отворајте ги вратите многу често.
- Вратата на ладилникот или замрзнувачот е оставена подотворена. >>> Проверете дали вратите се убаво затворени.
- Производот е поставен на многу ниска температура. >>> Поставете на повисока температура и почекајте производот да ја достигне прилагодената температура.
- Гумата на врата од ладилникот или замрзнувачот е валкана, изабена, искршена или не е правилно наместена. >>> Исчистете или заменете ја гумата. Оштетената / искината гума на вратата предизвикува долга работа на производот за да ја одржува поставената температура.

Температурата во замрзнувачот е многу ниска додека температурата во ладилникот е задоволителна.

- Температурата во одделот на замрзнувачот е поставена многу ниско. >>> Поставете повисока температура за одделот на замрзнувачот и проверете одново.

Температурата во ладилникот е многу ниска додека температурата во замрзнувачот е задоволителна.

- Температурата во одделот на ладилникот е поставена многу ниско. >>> Поставете повисока температура за одделот на замрзнувачот и проверете одново.

Храната што се чува во ладилникот е замрзната.

- Температурата во одделот на ладилникот е поставена многу ниско. >>> Поставете повисока температура за одделот на замрзнувачот и проверете одново.

Температурата во ладилникот или замрзнувачот е многу висока.

- Температурата во одделот на ладилникот е поставена многу високо. >>> Поставката за температурата во одделот на ладилникот влијае врз температурата во одделот на замрзнувачот. Почекајте температурата во соодветниот оддел да го достигне потребното ниво така што ќе ја смените температурата во одделите за ладилникот или замрзнувачот.
- Вратите се отвораат често или биле оставени отворени подолго. >>> Не отворајте ги вратите многу често.
- Вратата е оставена подотворена. >>> Затворете ја вратата убаво.
- Производот бил приклучен неодамна или ставена е нова храна. >>> Ова е нормално. На производот му треба повеќе време да ја достигне поставената температура кога е вклучен неодамна или ако се стави нова храна во него.
- Ставена е поголема количина врела храна во производот. >>> Не ставајте врела храна во ладилникот.

Тресење или бучава.

Решавање на проблеми

- Подот не е рамен или издржлив. >>> Ако производот се тресе кога ќе го помрднете малку, прилагодете ги ногарките за да го порамните. Проверете и дали подот е доволно издржлив да го носи производот.
- Работите ставени врз производот предизвикуваат бучава. >>> Тргнете ги работите што сте ги ставиле врз него.

Производот испушта звуци на течење, прскање и сл.

- Работните принципи на производот вклучуваат течење на течност и гас. >>> Тоа е нормално и не е грешка.

Звук на ветер се слуша од производот.

- Производот користи вентилатор во процесот на ладење. Тоа е нормално и не е грешка.

Има кондензација на внатрешните ѕидови на производот.

- Врела и влажна клима го зголемува создавањето мраз и кондензација. Тоа е нормално и не е грешка.
- Вратите се отвораат често или биле оставени отворени подолго. >>> Не отворајте ги вратите многу често. Ако се отворени, затворете ги.
- Вратата е оставена подотворена. >>> Затворете ја вратата убаво.

Има кондензација по надворешноста на производот или меѓу вратите.

- Климата во средината е влажна. Ова е нормално за влажна клима. >>> Кондензацијата ќе исчезне кога ќе се намали влагата.

Внатрешноста мириса лошо.

- Производот не се чисти редовно. >>> Редовно чистете ја внатрешноста со сунѓер и топла вода со сода бикарбона.
- Одредени држачи и материјали за пакување создаваат миризби. >>> Користете држачи и материјали за пакување што не содржат миризби.
- Храната се чува во садови без капак. >>> Чувајте ја храната во затворени садови. Може да се развијат микроорганизми кај храната што не се чува во затворен сад со што се создава лоша миризба. Отстранете ја храната со истечен рок или расипаната храна од производот.

Вратата не се затвора.

- Пакувањето на храната ја блокира вратата. >>> Преместете ги работите што ги блокираат вратите.
- Производот не е поставен во целосно исправена положба на подот. >>> Прилагодете ги ногарките за да го порамните.
- Подот не е рамен или издржлив. >>> Проверете дали подот е рамен и доволно издржлив да го носи производот.

Корпата за зеленчук е преполна.

- Храната се допира до горната секција во фиоката. >>> Разместете ја храната во фиоката.

Ако површината на производот е жешка

- Може да се појават високи температури помеѓу двете вратички, на страничните панели и кај задниот грил додека производот е вклучен. Тоа е нормално и нема потреба за поправка!



ПРЕДУПРЕДУВАЊЕ: Ако проблемот опстојува и откако сте ги примениле сите упатства во ова поглавје, контактирајте со продавачот или овластен сервис. Не обидувајте се да го поправите апаратот.



Frigorifer

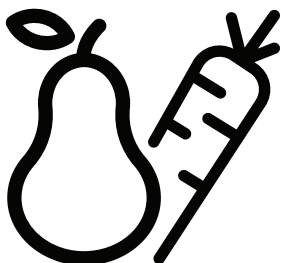
Manual Udhëzim

Frižider

Upute za uporabu

Фрижидер

Упутство за употребу



RCNE560E40ZXBN - RCNE560E40DZXBN



SQ / BO / SB

58 5366 0000/AC

8/8

Lexoni këtë manual para përdorimit të produktit!

I nderuar klient,

Ne dëshirojmë që ju ta shfrytëzoni sa më mirë produktin tonë, i cili është prodhuar në fabrika moderne me kujdes dhe nën kontroll të përpikta të cilësisë.



Për këtë arsye ju këshillojmë ta lexoni të gjithë manualin e përdorimit para se ta përdorni produktin.



Në rast se ndryshon përdoruesi i produktit, mos harroni t'i jepni pronarit të ri udhëzuesin bashkë me produktin.

Ky udhëzues do t'ju ndihmojë ta përdorni produktin me shpejtësi dhe në mënyrë të sigurt.

- Lexojeni udhëzuesin e përdorimit me kujdes para se ta montoni dhe ta përdorni produktin.
- Respektoni gjithmonë udhëzimet përkatëse të sigurisë.
- Mbajeni udhëzuesin e përdorimit në një vend lehtësisht të arritshëm për përdorim në të ardhmen.
- Lexoni çdo dokument tjetër të marrë me produktin.

Mos harroni se ky udhëzues përdorimi mund të jetë i vlefshëm për disa modele të produktit. Udhëzuesi tregon në mënyrë të qartë çdo ndryshim të modeleve të ndryshme.

	Informacione të rëndësishme dhe këshilla të dobishme.
	Rrezik për jetën dhe për pronën.
	Rrezik i goditjes elektrike.
	Paketimi i produktit është i prodhuar me materiale të riciklueshme në përputhje me legjislacionin kombëtar për mjedisin.

 INFORMACIONE	
	Informacionet e modelit të ruajtura në bazën e të dhënave të produktit mund të arrihen duke hyrë në faqen e mëposhtme të internetit dhe duke kërkuar për identifikuesin e modelit tuaj (*) që gjendet në etiketën e energjisë. https://eprel.ec.europa.eu/

1 Udhëzimet për sigurinë dhe mjedisin 3

1.1. Siguria e përgjithshme	3
1.1.1 Paralajmërimi HC	5
1.1.2 Për modelet me aparatën e ujit	5
1.2. Përdorimi i planifikuar	5
1.3. Siguria për fëmijët	6
1.4. Përputhja me Direktivën WEEE dhe hedhja e produktit të përdorur	6
1.5. Përputhja me Direktivën RoHS	6
1.6. Informacionet mbi paketimin.	6

2 Frigoriferi juaj 7

3 Instalimi 8

3.1. Vendi i duhur për montimin.	8
3.2. Vendosja e kunjave plastike	8
3.3. Rregullimi i mbështetëseve.	8
3.4. Lidhja elektrike	9

4 Përgatitja 10

4.1. Çfarë të bëni për kursimin e energjisë	10
4.2. Përdorimi për herë të parë	10

5 Përdorimi i produktit 11

5.1. Paneli i treguesve	11
5.2 Kova e akullit	14
5.3 Mbajtësja e vezëve	14
5.4 Ventilatori	14
5.5 Koshi i perimeve	15
5.5 Rafti i lëvizshëm i derës	15
5.6 Ndarja e bulmetit (ruajtja e ftohtë)	15
5.7 Kutia e ruajtjes me rrëshqitje	16
5.8 HerbBox/HerbFresh	16
5.9 Koshi i perimeve me lagështi të kontrolluar	17

5.10 Aparati autoantik i akullit	17
5.11 Icematic dhe kontejneri i ruajtjes së akullit	18
5.12 Përdorimi i aparatit të ujit	18
5.13 Mbushja e depozitës së aparatit të ujit	19
5.14 Pastrimi i depozitës së ujit	20
5.15 Tabakaja e derdhjes	21
5.16 Ngrirja e ushqimeve të freskëta	22
5.17 Rekomandimet për ruajtjen e ushqimeve të ngrira.	22
5.18 Detajet për ngrirjen e thellë	23
5.19 Vendosja e ushqimeve.	23
5.20 Sinjalizimi i hapjes së derës	23
5.21 Ndryshimi i drejtimit të hapjes së derës	23
5.22 Drita e brendshme	23
5.23 Drita blu/HarvestFresh.	24

6 Mirëmbajtja dhe pastrimi 25

6.1. Shmangia e aromave të këqija	25
6.2. Mbrojtja e sipërfaqeve plastike	25
6.3. Xhamat e derës	25

7 Zgjidhja e problemeve 26

Ky paragraf siguron udhëzime për sigurinë të nevojshme për të parandaluar rrezikun e lëndimeve dhe të dëmeve materiale. Mosrespektimi i këtyre udhëzimeve do të anulojë të gjitha llojet e garancisë së produktit.

Përdorimi i planifikuar

	KUJDES: Mbajini të lira nga pengesat hapësirat e ventilimit në kasën e pajisjes ose në strukturën e montimit.
	KUJDES: Mos përdorni pajisje mekanike ose mjete të tjera për të përshpejtuar procesin e ngrirjes, përveç atyre që rekomandohen nga prodhuesi.
	KUJDES: Mos e dëmtoni qarkun e ftohësit.
	KUJDES: Mos përdorni pajisje elektrike brenda ndarjeve për ruajtjen e ushqimeve, përveçse nëse janë të tipit të rekomanduar nga prodhuesi.
	KUJDES! Mos mbani substanca shpërthyes si kanaçe aerosoli me gaz shtytës brenda kësaj pajisjeje.

Kjo pajisje është projektuar për përdorim në shtëpi ose përdorime të ngjashme, si p.sh.

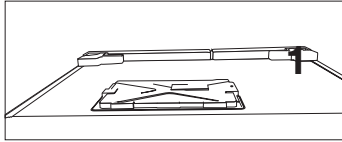
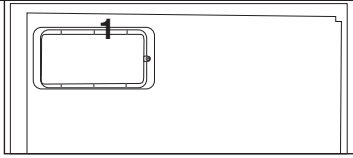
- zonat e kuzhinës së personelit në dyqane, zyra dhe ambiente të tjera pune;
- shtëpi në ferma dhe nga klientët në hotele, motele dhe ambiente të tjera banimi;

- ambiente të tipit të moteleve me mëngjes;
- për catering dhe përdorime të tjera jo të shitjes me pakicë.

1.1. Siguria e përgjithshme

- Ky produkt nuk duhet të përdoret nga persona me paaftësi fizike, ndijore ose mendore, pa njohuri të mjaftueshme dhe pa eksperiencë, apo nga fëmijët. Pajisja mund të përdoret vetëm nga personat nën monitorimin dhe me udhëzimet e një personi përgjegjës për sigurinë e tyre. Fëmijët nuk duhet të lejohen të luajnë me këtë pajisje.
- Në rast defekti, hiqeni pajisjen nga priza.
- Pasi ta hiqni nga priza, prisni për të paktën 5 minuta para se ta vendosni përsëri në prizë.
- Hiqeni produktin nga priza kur nuk është në përdorim.
- Mos e prekni spinën me duar të njoma! Mos e tërhiqni kabllon për ta hequr nga priza, mbani gjithmonë spinën.
- Mos e vendosni frigoriferin në prizë nëse priza është e liruuar.
- Hiqeni produktin nga priza gjatë montimit, mirëmbajtjes, pastrimit dhe riparimit.
- Nëse produkti nuk do të përdoret për pak kohë, hiqeni produktin nga priza dhe hiqni të gjitha ushqimet në të.
- Mos e përdorni produktin kur është e hapur ndarja me kartat e qarkut që ndodhen në pjesën e pasme lart të produktit (kapaku i kutisë së kartës elektrike) (1).

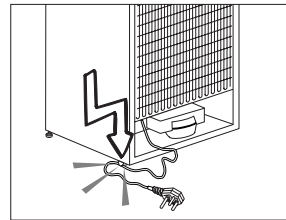
Udhëzimet për sigurinë dhe mjedisin



- Mos përdorni avull ose materiale pastrimi me avull për pastrimin e frigoriferit dhe për shkrirjen e akullit brenda. Avulli mund të bjerë në kontakt me zonat me elektricitet dhe të shkaktojë një qark të shkurtër ose një goditje elektrike!
- Mos e lani produktin duke spërkatur ose duke derdhur ujë mbi të! Rrezik i goditjes elektrike!
- Në rast defekti, mos e përdorni produktin, pasi mund të shkaktojë një goditje elektrike. Kontaktoni me shërbimin e autorizuar para se të bëni ndonjë veprim.
- Vendoseni produktin në një prizë me tokëzim. Tokëzimi duhet të realizohet nga një elektrikist i kualifikuar.
- Nëse produkti ka ndriçim të tipit LED, kontaktoni me shërbimin e autorizuar për ndërrimin e tij ose në rast të ndonjë problemi.
- Mos i prekni ushqimet e ngrira me duar të njoma! Ato mund të ngjiten në duar!
- Mos vendosni lëngje në shishe dhe kanoçe në ndarjen e ngrirësit. Ato mund të çahen!
- Vendosini lëngjet në një pozicion vertikal pasi ta mbyllni mirë kapakun.
- Mos spërkatni me substanca të djegshme pranë produktit, pasi mund të

digjet ose të shpërthejë.

- Mos mbani materiale të djegshme dhe produkte me gaze të djegshme (me spërkatje, etj.) në frigorifer.
- Mos vendosni kontejnerët me lëngje mbi produkt. Derdhja e ujit mbi një pjesë me elektricitet mund të shkaktojë goditje elektrike dhe rrezik zjarri.
- Ekspozimi i produktit në shi, borë, rrezet e diellit dhe erë do të shkaktojë rreziqe nga elektriciteti. Kur të ndryshoni vendin e produktit, mos e tërhiqni nga doreza e derës. Doreza mund të këputet.
- Tregoni kujdes që të shmangni kapjen e ndonjë pjesë të trupit ose duart në ndonjë pjesë të lëvizshme brenda produktit.
- Mos shkëlqi apo mbështeteni mbi derë, rafte dhe pjesë të tjera të ngjashme të frigoriferit. Kjo do të bëjë që produkti të bjerë dhe të shkaktoni dëmtimin e pjesëve.
- Tregoni kujdes që të mos e kapni kabllon elektrike.
- Kur vendosni aparatit, sigurohuni që kordoni i furnizimit të mos jetë i bllokuar ose dëmtuar.
- Mos vendosni priza të shumta portative ose furnizime të lëvizshme në pjesën e pasme të aparatit.



- Fëmijët të moshës prej 3 deri 8 ju lejohej të mbushin dhe të boshatisin pajisjet frigoriferike.

Udhëzimet për sigurinë dhe mjedisin

- Për të shmangur kontaminimin e ushqimit, ju lutemi respektoni udhëzimet e mëposhtme:
- - Hapja e derës për kohë të gjatë mund të shkakton rritje të ndjeshme të temperaturës në pjesët e pajisjes.
- - Pastroni rregullisht sipërfaqet që mund të vinë në kontakt me ushqim dhe akseset e sistemit për kullimit.
- - Pastroni tanket e ujit nëse ato nuk janë përdorur për 48 orë; lishoni sistemin e ujit të lidhur me ujësjellës nëse uji nuk është shterur për 5 ditë.
- - Ruani mishin e thatë dhe peshkun në kontejnerë të përshtatshëm në frigorifer, në mënyrë që ato të mos jenë në kontakt me ose të mos piket në ushqime të tjera.
- - Ndarjet për - dy - yje - ushqim i ngrirë janë të përshtatshme për ruajtjen e ushqimeve paraprakisht të ngrira, ruajtje ose bërjen e akullores dhe bërjen e kubeve të akullit.
- - Ndarjet një-dy dhe tre- yjeve nuk janë të përshtatshme për ngrirjen e ushqimit të freskët.
- - Nëse pajisja frigoriferike është lënë bosh për një kohë të gjatë, fiken, shkri, pastroni, thani, dhe leni derën të hapur të parandaloni zhvillimin e mykut në pajisje.

1.1.1 Paralajmërimi HC

Nëse produkti përfshin një sistem ftohjeje me gaz R600a, tregoni kujdes që të shmangni dëmtimin e sistemit të ftohjes dhe të tubit të tij kur e përdorni dhe kur e lëvizni produktin. Ky gaz është i djegshëm. Në rast se dëmtohet sistemi i ftohjes, mbajeni produktin larg nga burimet e zjarrit dhe ajrosni menjëherë dhomën.



Etiketa në anën e brendshme majtas tregon tipin e gazit të përdorur në produkt.

1.1.2 Për modelet me aparatën e ujit

- Presioni nga hyrja e ujit të ftohtë duhet të jetë maksimumi 90 psi (620 kPa). Nëse presioni i ujit e kalon 80 psi (550 kPa), përdorni një valvulë kufizuese të presionit në sistemin e rritjet kryesor. Nëse nuk dini se si ta kontrolloni presionin e ujit, kërkoni ndihmën e një hidrauliku profesionist.
- Nëse ekziston rreziku i efektit të goditjes çekiç të ujit në instalim, përdorni gjithmonë një pajisje parandaluese për efektin e goditjes çekiç në instalim. Këshillohuni me hidraulikë profesionistë nëse nuk jeni të sigurt se nuk ka një efekt të goditjes çekiç në instalimin tuaj.
- Mos e instaloni te hyrja e ujit të nxehtë. Merrni masa parandaluese kundër rrezikut të ngrirjes së tubave. Intervali funksional i temperaturës së ujit do të jetë minimumi 0,6°C (33°F) dhe maksimumi 38°C (100°F).
- Përdorni vetëm ujë të pijshëm.

1.2. Përdorimi i planifikuar

- Ky produkt është i projektuar për përdorim familjar. Ai nuk është i përshtatshëm për përdorim tregtar.
- Produkti duhet të përdoret vetëm për ruajtjen e ushqimeve dhe të pijeve.
- Mos mbani produkte delikate që kërkojnë temperatura të kontrolluara (vaksina, ilaçe të ndjeshme ndaj nxehtësisë, materiale mjekësore, etj.) në frigorifer.
- Prodhuuesi nuk mban asnjë përgjegjësi për çdo dëmtim për shkak të keqpërdorimit ose keqadministrimit.

Udhëzimet për sigurinë dhe mjedisin

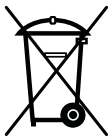
- Pjesët origjinale të ndërrimit do të ofrohen për 10 vite, pas datës së blerjes së produktit.

1.3. Siguria për fëmijët

- Mbajini materiale e paketimit larg nga fëmijët.
- Mos i lejoni fëmijët të luajnë me produktin.
- Nëse dera e produktit ka një kyç, mbajeni çelësin larg fëmijëve.

1.4. Përputhja me Direktivën WEEE dhe hedhja e produktit të përdorur

Ky produkt është në përputhje me Direktivën evropiane WEEE (2012/19/EU). Ky produkt ka një simbol klasifikimi për pajisjet elektrike dhe elektronike të përdorura (WEEE).



Ky produkt është prodhuar me pjesë dhe materiale me cilësi të lartë, të cilat mund të ripërdoren dhe janë të përshtatshme për riciklim. Mos e hidhni produktin e përdorur bashkë me mbeturinat familjare dhe mbeturinat e tjera

në fund të jetës së shërbimit të produktit.

Çojeni atë në qendrën e grumbullimit për riciklimin e pajisjeve elektrike dhe elektronike. Këshillohuni me autoritetet lokale për të mësuar mbi këto qendra të grumbullimit.

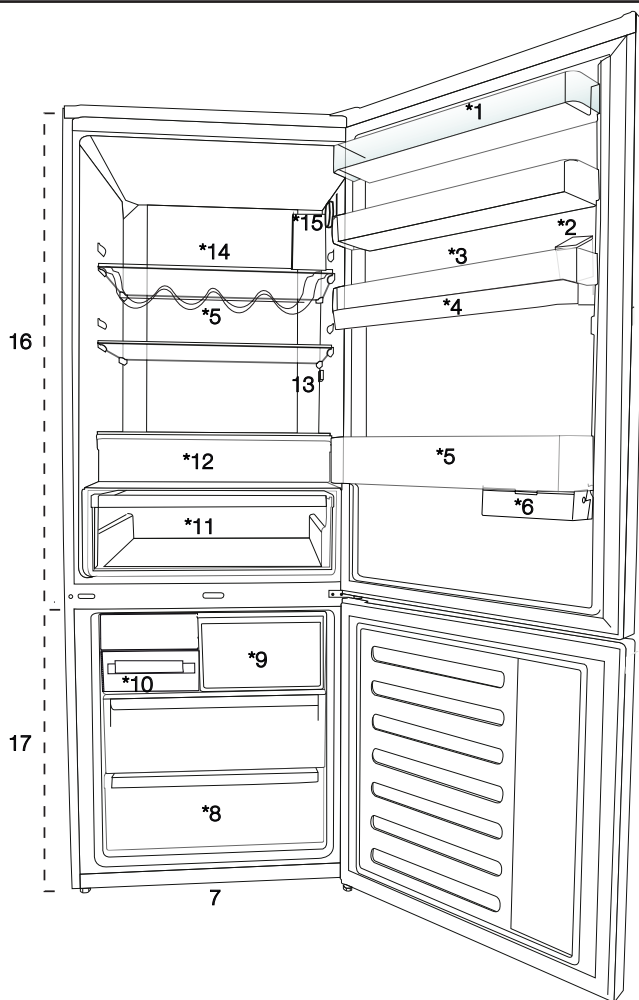
1.5. Përputhja me Direktivën RoHS

- Ky produkt është në përputhje me Direktivën evropiane WEEE (2011/65/EU). Ai nuk përmban materiale të dëmshme dhe të ndaluara të specifikuara në Direktivë.

1.6. Informacionet mbi paketimin

- Materialet e paketimit të produktit prodhohen nga materiale të riciklueshme në përputhje me Rregulloret tona kombëtare për mjedisin. Mos i hidhni materialet e paketimit bashkë me mbeturinat familjare ose mbeturinat e tjera. Çojini ato te pikat e grumbullimit për materialet e paketimit të përcaktuara nga autoritetet lokale.

2 Frigoriferi juaj



1. Rafti i derës së ndarjes së ftohësit
2. Depozita e mbushjes së aparatit të ujit
3. Seksioni i vezëve
4. Rezervuari i aparatit të ujit
5. Rafti i shisheve
6. Kutia e ruajtjes me rrëshqitje
7. Këmbët e rregullueshme
8. Ndarja për ngrirjen e thellë
9. Ndarja për ngrirjen e shpejtë
10. Tava e kubave të akullit dhe depozita e akullit
11. Koshi i perimeve
12. Ndarja e bulmetit (ruajtja e ftohtë)
13. Drita e brendshme
14. Rafti i xhamit të ndarjes së ftohësit
15. Butoni i rregullimit të temperaturës
16. Ndarja e ftohësit
17. Ndarja e ngrirësit



***opsionale:** Fotografitë e dhëna në këtë manual janë figura për shembull dhe mund të mos jenë me saktësi të njëjta si produkti juaj. Nëse produkti juaj nuk i përfshin pjesët përkatëse, informacionet kanë lidhje me modele të tjera.

3.1. Vendi i duhur për montimin

Kontakti me Shërbimin e autorizuar për montimin e produktit. Për ta përgatitur produktin për montim, shikoni informacionet në udhëzuesin e përdorimit dhe sigurohuni që shërbimet elektrike dhe të ujit të jenë siç kërkohet. Nëse jo, telefononi elektrikist dhe një hidraulik për të organizuar shërbimet sipas nevojës.

	KUJDES: Prodhuesi nuk mban asnjë përgjegjësi për çdo dëmtim të kryer nga punët e kryera nga persona të paautorizuar.
	KUJDES: Kabloja elektrike e produktit duhet të hiqet nga priza gjatë montimit. Mosrespektimi i kësaj mund të shkaktojë vdekje ose lëndime të rënda!
	KUJDES: Nëse hapësira e derës është shumë e ngushtë për kalimin e produktit, hiqeni derën dhe kthejeni produktin në anë; nëse kjo nuk funksionon, kontakti me shërbimin e autorizuar.

- Vendoseni produktin në një sipërfaqe të rrafshët për të shmangur dridhjet.
- Vendoseni produktin të paktën 30 cm larg nga ngrohësi, soba ose burime të ngjashme të nxehtësisë dhe të paktën 5 cm larg nga furrat elektrike.
- Mos e ekspozoni produktin ndaj dritës së drejtpërdrejtë të diellit dhe mos e mbani në ambiente me lagështi.
- Produkti kërkon një qarkullim të përshtatshëm të ajrit për të funksionuar me efektivitet.
- Nëse produkti do të vendoset në një vend të futur, mos harroni të lini të paktën 5 cm distancë mes produktit dhe tavanit dhe mureve.
- Mos e montoni produktin në mjedis me temperatura nën -5°C .
- Produkti juaj kërkon një qarkullim të përshtatshëm të ajrit për të funksionuar me efikasitet. Nëse produkti do të vendoset në një vend të futur, mos harroni të lini të paktën 5 cm hapësirë mes produktit dhe tavanit, murit të pasmë dhe mureve anësore.

- Nëse produkti do të vendoset në një vend të futur, mos harroni të lini të paktën 5 cm hapësirë mes produktit dhe tavanit, murit të pasmë dhe mureve anësore. Kontrolloni nëse elementi mbrojtës i pasmë për distancën me murin është i pranishëm në vendin përkatës (nëse është i përfshirë me produktin). Nëse elementi nuk është i disponueshëm ose nuk humbet apo bie, vendoseni produktin në mënyrë që të lini të paktën 5 cm hapësirë mes sipërfaqes së pasme të produktit dhe murit të dhomës. Hapësira në pjesën e pasme është e rëndësishme për një funksionim efikas të produktit.

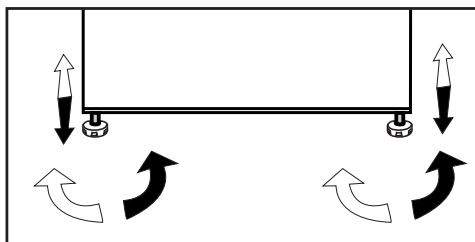
3.2. Vendosja e kunjave plastike

Përdorni kunjat plastike të përfshira me produktin për të siguruar një hapësirë të mjaftueshme për qarkullimin e ajrit midis produktit dhe murit.




1. Për të vendosur kunjat, hiqni vidhat në produkt dhe përdorni vidhat e përfshira me kunjat.
2. Vendosni 2 kunjat plastike në kapakun e ventilimit siç tregohet në figurë.

3.3. Rregullimi i mbështetëseve


Nëse produkti nuk është në ekuilibër, rregulloni mbështetëset e përparme të rregullueshme duke i rrotulluar ato djathtas ose majtas.



3.4. Lidhja elektrike

	KUJDES: Mos përdorni zgjatues ose priza të shumëfishta në lidhjen elektrike.
	KUJDES: Kablloja e dëmtuar elektrike duhet të zëvendësohet nga Shërbimi i autorizuar.
	Kur vendosni dy ftohës në pozicion ngjitur me njëri-tjetrin, lini të paktën 4 cm distancë midis dy njërive.

- Kompania jonë nuk do të mbajë përgjegjësi për asnjë dëmtim të shkaktuar nga përdorimi pa lidhjen e tokëzimit dhe pa lidhjen elektrike në përputhje me rregulloret kombëtare.
- Spina e kordonit elektrik duhet të jetë lehtësisht e arritshme pas montimit.
- Lidhni frigoriferin me një prizë me tokëzim me voltazh 220-240V/50 Hz. Spina duhet të përfshijë një siguresë 10-16A.
- Mos përdorni spina të grupuara me ose pa kablo zgjatuese midis prizës së murit dhe frigoriferit.

	Paralajmërim për sipërfaqe të nxehtë! Muret anësore të produktit tuaj janë të pajisura me tuba me lëng ftohës për përmirësimin e sistemit të ftohjes. Në këto zona mund të qarkullojë lëngu ftohës me temperatura të larta, duke sjellë nxehtjen e sipërfaqeve në muret anësore. Kjo është normale dhe nuk ka nevojë për shërbim. Tregoni kujdes kur prekni këto zona.
---	---

4.1. Çfarë të bëni për kursimin e energjisë



Lidhja e produktit me sistemet elektronike të kursimit të energjisë është e dëmshme, dhe kjo mund të dëmtojë produktin.

- Për një pajisje kolonë; “ky frigorifer nuk është planifikuar të përdoret si pajisje inkaso.
- Mos i mbani dyert e frigoriferit të hapura për periudha të gjata.
- Mos vendosni ushqime ose pije të nxehta në frigorifer.
- Mos e mbushni shumë frigoriferin; bllokimi i rrjedhës së brendshme të ajrit do të ulë kapacitetin e ftohjes.
- Për të ruajtur sasinë maksimale të ushqimeve në ndarjen e ftohësit të frigoriferit tuaj, duhet të hiqni sirtarët e sipërm dhe t'i vendosni ushqimet në raftin e xhamit. Konsumi i deklaruar i energjisë për frigoriferin tuaj është përcaktuar duke hequr ftohësin, tabakanë e akullit dhe sirtarët e sipërm në mënyrë që të sigurohet ruajtja maksimale e ushqimeve. Rekomandohet shumë që të përdorni sirtarin e poshtëm kur ruani ushqimet. Për konsumin më të mirë të energjisë, duhet të aktivizoni funksionin e kursimit të energjisë.
- Nuk duhet ta bllokoni qarkullimin e ajrit duke vendosur ushqime përpara ventilatorit të ftohësit. Kur vendosni ushqimet, duhet të lini një hapësirë minimumi 3 cm përpara telit mbrojtës të ventilatorit.
- Në varësi të veçorive të produktit, shkrirja e ushqimeve të ngrira në ndarjen e ftohtë do të sigurojë kursimin e energjisë dhe do të ruajë cilësinë e ushqimeve.
- Ushqimet duhet të ruhen me anë të sirtarëve në ndarjen e ftohësit për të siguruar kursimin e energjisë dhe për mbrojtjen e ushqimeve në kushte më të mira.
- Paketimet e ushqimeve nuk duhet të jenë në kontakt të drejtpërdrejtë me sensorin e nxehtësisë që ndodhet në ndarjen e ftohësit. Nëse janë në kontakt me sensorin, konsumi i energjisë së pajisjes tuaj mund të rritet.
- Sigurohuni që ushqimet të mos jenë në kontakt me sensorin e temperaturës së ndarjes së ftohësit që përshkruhet më poshtë.

- Duke qenë se ajri dhe lagështia nuk do të depërtojnë direkt në produkt kur dyert nuk janë të hapura, produkti juaj do të optimalizohet në kushte të mjaftueshme për ta mbrojtur ushqimin. Në këtë funksion të kursimit të energjisë, funksionet dhe komponentet si kompresori, ventilatori, ngrohësi, shkrirja, ndriçimi, ekrani etj. do të punojnë sipas nevojave për të konsumuar minimumin e energjisë, ndërkohë që ruhet freskia e ushqimeve tuaja.
- Në rastin e opsioneve të shumëfishta, raftet prej xhami duhen vendosur në mënyrë që daljet e ajrit në pjesën e pasme të mos bllokohen, preferohet që daljet e ajrit të mbeten nën raftin prej xhami. Ky kombinim mund të ndihmojë në përmirësimin e shpërndarjes së ajrit dhe të efikasitetit të energjisë.

4.2. Përdorimi për herë të parë

Para se ta përdorni frigoriferin, sigurohuni që të bëni përgatitjet e duhura në përputhje me udhëzimet në paragrafët “Udhëzimet për sigurinë dhe mjedisin” dhe “Montimi”.

- Mbajeni produktin në punë pa ushqime në të për 6 orë dhe mos e hapni derën, nëse nuk është shumë e domosdoshme.



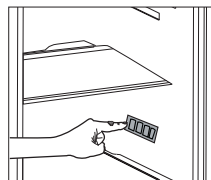
Kur të aktivizohet kompresori do të dëgjoni një tingull. Është normale të dëgjoni tinguj kur kompresori nuk është aktiv, për shkak të lëngjeve dhe gazeve të ngjeshura në sistemin e ftohjes.



Anët e përparme të produktit mund të ngrohen. Kjo është normale. Këto zona janë të projektuara që të ngrohen për të parandaluar kondensimin.



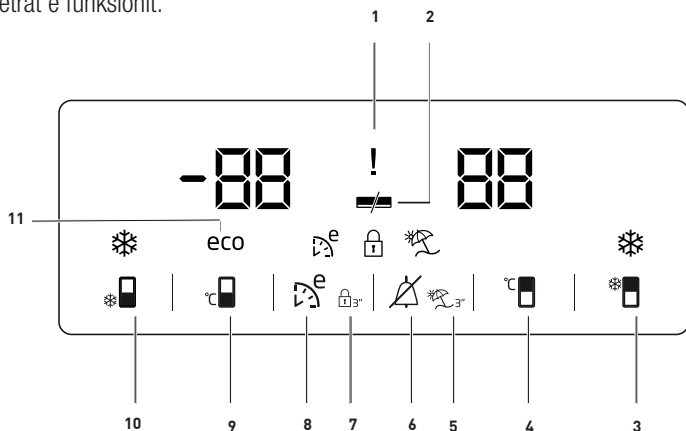
Në disa modele, paneli i treguesve fiket automatikisht 5 minuta pas mbylljes së derës. Ai do të riaktivizohet kur të hapet dera ose kur të shtypet një buton.



Udhëzuesi i frigoriferit / i përdorimit

5.1. Paneli i treguesve

Paneli i treguesve ju lejon të caktoni temperaturën dhe të kontrolloni funksionet e tjera në lidhje me produktin pa e hapur derën e produktit. Thjesht shtypni te mbishkrimet në butonat përkatës për parametrat e funksionit.



1. Treguesi i ndërprerjes së energjisë/ temperaturës së lartë/statusit të gabimit

Ky tregues (!) ndizet në rast të ndërprerjes së energjisë, temperaturës së lartë dhe paralajmërimeve të gabimeve.

Kur temperatura e ndarjes së ngrirësit rritet në nivel kritik për ushqimet e ngrira, vlera maksimale e arritur nga temperatura e ndarjes së ngrirësit pulson në treguesin dixhital.

Kontrolloni ushqimet në ndarjen e ngrirësit.

Ky nuk është një defekt. Paralajmërimi mund të fshihet duke shtypur një buton ose butonin e çaktivizimit të alarmit të temperaturës së lartë. (Anulimi duke shtypur një buton nuk është i vlefshëm për çdo model.)

Ky tregues (!) ndizet kur një ndodh një defekt sensori po ashtu. Kur ky tregues ndizet, "E" dhe shifrat si "1,2,3..." shfaqen në mënyrë të

alternuar në treguesin e temperaturës. Këto shifra te treguesi informojnë personelin e shërbimit për gabimin.

2. Funkzioni i kursimit të energjisë (ekrani joaktiv)

Nëse dyert e produktit mbahen të mbyllura për një kohë të gjatë, funksioni i kursimit të energjisë aktivizohet automatikisht dhe do të ndriçohet simboli i kursimit të energjisë. (🔌)

Kur funksioni i kursimit të energjisë është i aktivizuar, të gjitha simbolet në ekran përveç simbolit të kursimit të energjisë do të çaktivizohen. Kur funksioni i kursimit të energjisë është i aktivizuar, nëse shtypet një buton ose nëse hapet dera, funksioni i kursimit të energjisë do të anulohet dhe simbolet në ekran do të kthehen në normale.



***Opsional:** Shifrat në këtë manual përdorimi janë të përdorura si modele dhe mund të mos përputhen saktësisht me produktin tuaj. Nëse produkti juaj nuk i përfshin pjesët përkatëse, informacionet kanë lidhje me modele të tjera.

Përdorimi i produktit

Funksioni i kursimit të energjisë aktivizohet gjatë dorëzimit të produktit nga fabrika dhe nuk mund të anulohet.

3 - Funksioni i ngrirjes së shpejtë

Ky buton ka dy funksione. Për të aktivizuar ose çaktivizuar funksionin e ftohjes së shpejtë, shtypni atë për pak kohë. Treguesi i ftohjes së shpejtë do të çaktivizohet dhe produkti do të kthehet në parametrat normalë. (🔌)

	Përdorni funksionin e ftohjes së shpejtë kur dëshironi të ftohni me shpejtësi ushqimet e vendosura në ndarjen e frigoriferit. Nëse dëshironi të ftohni sasi të mëdha ushqimesh të freskëta, aktivizoni këtë funksion para se t'i vendosni ushqimet në produkt.
	Nëse nuk e anuloni, ftohja e shpejtë do të anulohet automatikisht pas 1 orësh ose kur ndarja e frigoriferit të arrijë temperaturën e kërkuar.
	Nëse e shtypni butonin e ftohjes së shpejtë vazhdimisht me intervale të shkurtra, do të aktivizohet mbrojtja e qarkut elektronik dhe kompresori nuk do të ndizet menjëherë.
	Ky funksion nuk riaktivizohet kur ka një ndërprerje të energjisë dhe rikthehet korrenti.

4. Butoni i përcaktimit të temperaturës së ndarjes së frigoriferit

Shtypni këtë buton për të caktuar temperaturën e ndarjes së frigoriferit përkatësisht në 8,7,6, 5,4,3, 2 ,1 ,8... Shtypni këtë buton për të caktuar temperaturën e ndarjes së frigoriferit te vlera e dëshiruar. (🔌)

5. Funksioni i pushimeve

Për të aktivizuar funksionin e pushimeve, shtypni këtë buton (🔌) për 3 sekonda, dhe më pas do të aktivizohet treguesi i modalitetit të pushimeve (🔌). Kur aktivizohet funksioni

i pushimeve, në treguesin e temperaturës së ndarjes së frigoriferit shfaqet “- -” dhe në ndarjen e frigoriferit nuk kryhet ftohja aktive. Nuk është e përshtatshme që të mbani ushqime në ndarjen e frigoriferit kur ky funksion është i aktivizuar. Ndarjet e tjera do të vazhdojnë të ftohen sipas temperaturës së tyre të përcaktuar.

Për ta anuluar këtë funksion, shtypni përsëri butonin e Pushimeve.

6. Paralajmërimi i çaktivizimit të alarmit

Në rast të alarmit të ndërprerjes së energjisë/ temperaturës së lartë, pasi të kontrolloni ushqimet e vendosura në ndarjen e ngrirësit, shtypni butonin e çaktivizimit të alarmit (🔌) për ta hequr paralajmërimin.

7. Kyçi i butonave

Shtypni butonin e kyçit të butonave (🔌) për 3 sekonda. Simboli i kyçit të butonave

(🔌) do të ndriçohet dhe do të aktivizohet modaliteti i kyçit të butonave. Butonat nuk do të punojnë në rast se modaliteti i kyçit të butonave është aktiv. Shtypni butonin e kyçit të butonave në të njëjtën kohë për 3 sekonda. Simboli i kyçit të butonave do të çaktivizohet dhe do të dilni nga modaliteti i kyçit të butonave.

Shtypni butonin e **kyçit të butonave** nëse dëshironi që të parandaloni ndryshimin e përcaktimit të temperaturës së frigoriferit (🔌).

8. Funksioni ekonomik i veçantë

Mbajeni të shtypur butonin e funksionit ekonomik të veçantë për 1 sekondë për të aktivizuar funksionin përkatës. Frigoriferi do të fillojë të punojë në modalitetin më ekonomik të paktën 6 orë më vonë dhe treguesi i përdorimit ekonomik do të aktivizohet kur funksioni të jetë aktiv (🔌). Mbajeni të shtypur butonin e funksionit ekonomik të veçantë për 3 sekonda për ta çaktivizuar funksionin përkatës.


Përdorimi i produktit

Ky tregues ndriçohet pas 6 orësh kur aktivizohet funksioni ekonomik i veçantë.


9. Butoni i përcaktimit të temperaturës së ndarjes së ngrirësit

Shtypni këtë buton për të caktuar temperaturën e ndarjes së ngrirësit përkatësisht në -18, -19, -20, -21, -22, -23, -24, -18... Shtypni këtë buton për të caktuar temperaturën e ndarjes së ngrirësit te vlera e dëshiruar. 

10. Butoni i funksionit të ngrirjes së shpejtë, butoni i aktivizimit-çaktivizimit të Icematic

Shtypni këtë buton për të aktivizuar ose çaktivizuar funksionin e ngrirjes së shpejtë. Kur e aktivizoni funksionin, ndarja e ngrirësit do të ftohet në një temperaturë më të ulët se vlera e caktuar.  Për ta aktivizuar dhe çaktivizuar funksionin Icematic, mbajeni të shtypur për 3 sekonda.

11. Treguesi i përdorimit ekonomik

Tregon se produkti po punon në modalitetin e efikasitetit të energjisë.  Ky tregues do të jetë aktiv nëse temperatura e Ndarjes së ngrirësit caktohet në -18 ose nëse kryhet ftohja efikase për energjinë nga funksioni Eko-ekstra.



Treguesi i përdorimit ekonomik çaktivizohet kur zgjidhet funksioni i ftohjes ose ngrirjes së shpejtë.



Përdorni funksionin e ngrirjes së shpejtë kur dëshironi të ngrini me shpejtësi ushqimet e vendosura në ndarjen e frigoriferit. Nëse dëshironi të ngrini sasi të mëdha ushqimesh të freskëta, aktivizoni këtë funksion para se t'i vendosni ushqimet në produkt.



Nëse nuk e anuloni, ngrirja e shpejtë do të anulohet automatikisht pas 24 orësh ose kur ndarja e frigoriferit të arrijë temperaturën e duhur.



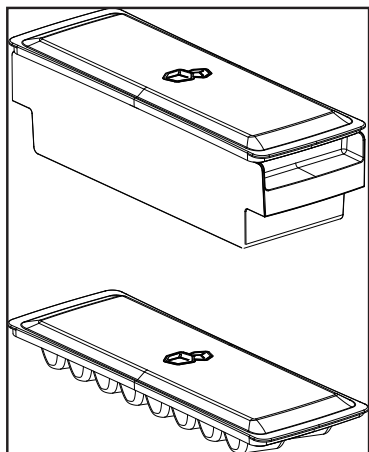
Ky funksion nuk riaktivizohet kur ka një ndërprerje të energjisë dhe rikthehet korrenti.

Përdorimi i produktit

5.2 Kova e akullit

*opsionale

- Hiqni kovën e akullit nga ndarja e ngrirësit.
- Mbusheni kovën e akullit me ujë.
- Vendoseni kovën e akullit në ndarjen e ngrirësit.
- Akulli do të jetë gati pas afro dy orësh. Merrni kovën e akullit nga ndarja e ngrirësit dhe përkuleni lehtë mbi enën ku do ta shërbeni. Akulli do të derdhet me lehtësi në enën e përdorimit.



5.3 Mbajtësja e vezëve

Mbajtësen e vezëve mund ta vendosni te dera ose në një raft të trupit sipas dëshirës. Nëse vendosni ta mbani në një raft të trupit, rekomandohet të zgjidhni më mirë raftet poshtë pasi janë më të ftohta.

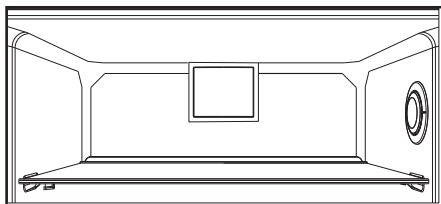


Mos e vendosni mbajtësen e vezëve në ndarjen e ngrirësit.

5.4 Ventilatori

Ventilatori është projektuar për të qarkulluar ajrin e ftohtë brenda frigoriferit në mënyrë të njëtrajtshme. Koha e përdorimit të ventilatorit mund të ndryshojë në varësi të veçorive të produktit tuaj.

Ndërkohë që në disa produkte ventilatori punon me kompresorin, në produkte të tjera koha e përdorimit përcaktohet nga sistemi i kontrollit bazuar në nevojën për ftohje.



Përdorimi i produktit

5.5 Koshi i perimeve

*opsionale

Koshi i perimeve i produktit është i projektuar për t'i ruajtur perimet e freskëta, duke ruajtur lagështinë. Për këtë qëllim, qarkullimi i përgjithshëm i ajrit të ftohtë është më i lartë në koshin e perimeve.

5.5 Rafti i lëvizshëm i derës

*opsionale

Rafti i lëvizshëm i derës mund të fiksohet në 3 pozicione të ndryshme.

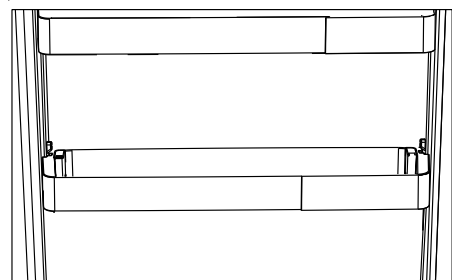
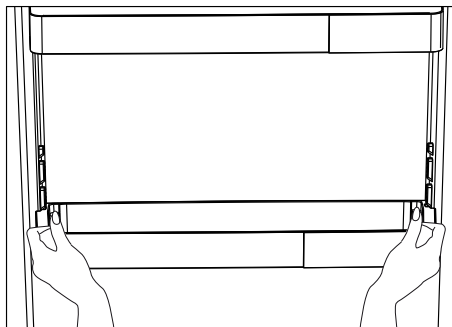
Për ta lëvizur raftin, shtypni njëkohësisht butonat në anë. Rafti do të mund të lëvizet.

Zhvendoseni raftin lart ose poshtë.

Kur rafti të jetë në pozicionin që dëshironi, lëshoni butonat. Rafti do të fiksohet në pozicionin ku keni lëshuar butonat.

5.6 Ndarja e bulmetit (ruajtja e ftohtë)

Siguron një temperaturë më të ulët se ndarja e frigoriferit. Përdoreni këtë ndarje për të ruajtur ushqime gastronomike (sallam, suxhukë, produkte bulmeti etj.) që kërkojnë një temperaturë më të ulët ose mish, mish pule ose peshk për konsum të menjëhershëm. Mos ruani fruta dhe perime në këtë ndarje



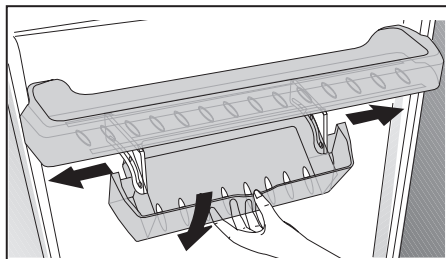
Përdorimi i produktit

5.7 Kutia e ruajtjes me rrëshqitje

*opsionale

Ky aksesori është projektuar për të rritur vëllimin e përdorimit të rafteve të derës.

Falë aftësisë së tij për të lëvizur në anë, ai bën të mundur që të vendosni me lehtësi shishe, kavanozë ose kuti të gjata në raftin e shisheve më poshtë.



5.8 HerbBox/HerbFresh

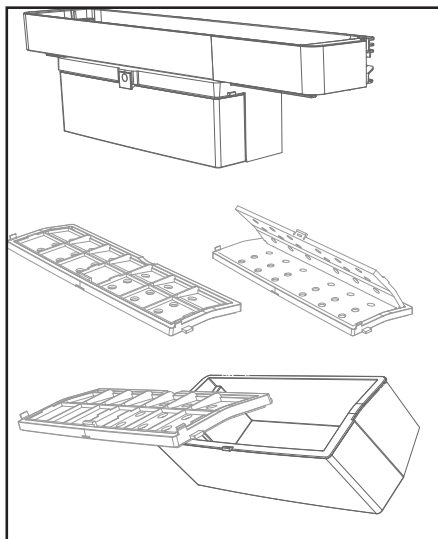
Hiqni kontejnerin me film nga HerbBox/HerbFresh+

Hiqni filmin nga qesja dhe vendoseni në kontejnerin me film si në imazh.

Mbylleni përsëri kontejnerin dhe vendoseni përsëri në njësinë HerbBox/HerbFresh+.

Ndarjet HerbBox-HerbFresh+ janë më shumë ideale për ruajtjen e erëzave të ndryshme që pritet të mbahen në kushte delikate. Mund t'i ruani erëzat pa qese (majdanoz, kopër, etj.) në këtë ndarje në mënyrë horizontale dhe t'i mbani të freskëta për një kohë më të gjatë.

Filmi duhet të ndërrohet çdo gjashtë muaj.



Përdorimi i produktit

5.9 Koshi i perimeve me lagështi të kontrolluar

*opsionale

Me veçorinë e kontrollit të lagështisë, nivelet e lagështisë së perimeve dhe frutave mbahen nën kontroll dhe kjo siguron një freski më të gjatë për ushqimet.

Rekomandohet që perimet me gjethe, si sallata, spinaqi dhe perimet e ngjashme që humbasin lagështi, t'i ruani sa më shumë në pozicion horizontal dhe jo mbi rrënjët e tyre në koshin e perimeve.

Kur vendosni perimet, vendosni perimet e forta dhe të rënda në fund dhe perimet e buta dhe të lehta sipër, duke pasur parasysh peshat specifike të perimeve.

Mos i lini perimet në qese plastike në koshin e perimeve. Nëse i lini në qese plastike, kjo bën që perimet të kalben për një kohë të shkurtër. Në rastet kur nuk preferoni kontaktin me perimet e tjera, përdorni materiale paketimi, si letër, që ka një depërtueshmëri të caktuar në kuadër të higjienës.

Mos i vendosni frutat që krijojnë shumë gaz etileni, si dardhat, kajsitë, pjeshkat dhe sidomos mollët, në të njëjtin kosh perimesh me perime dhe fruta të tjera. Gazi i etilenit që del nga këto fruta mund të bëjë që perimet dhe frutat e tjera të piqen më shpejt dhe të kalben në një periudhë të shkurtër.

5.10 Aparati autoamtik i akullit

*opsionale

Aparati automatik i akullit bën të mundur që të prodhoni me lehtësi akull në frigoriferin tuaj. Për të marrë akull nga aparati i akullit, nxirri depozitën e ujit nga ndarja e ftohësit, mbusheni me ujë dhe vendoseni përsëri.

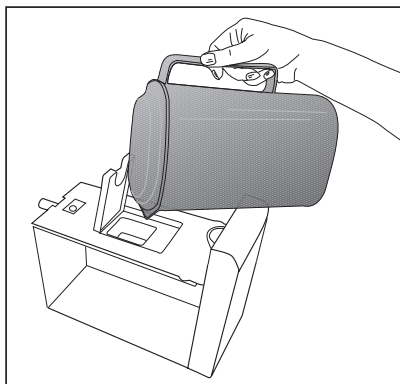
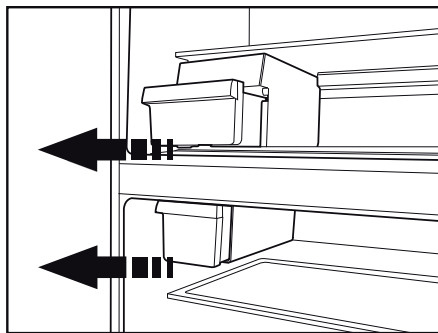
Kubat e parë të akullit do të jenë gati për afro 2 orë në sirtarin e aparatit të akullit në ndarjen e ftohësit.

Pas vendosjes së depozitës së mbushur të ujit, mund të merrni rreth 60-70 kuba akulli deri sa ajo të boshatiset plotësisht.

Nëse uji në depozitë ka qëndruar për 2-3 javë, ai duhet të ndërrohet.



Në produktet me një aparat automatik akulli, mund të dëgjoni një zhurmë kur nxirri akullin. Kjo zhurmë është normale dhe nuk është shenjë defekti.



Përdorimi i produktit

5.11 Icematic dhe kontejneri i ruajtjes së akullit

*opsionale

Përdorimi i Icematic

Mbusheni Icematic me ujë dhe vendoseni në vendin përkatës. Akulli do të jetë gati për afro dy orë. Mos e hiqni Icematic nga vendi i tij për të marrë akullin.

Rrotulloni dorezat në rezervuarët e akullit në drejtim orar me 90 gradë.

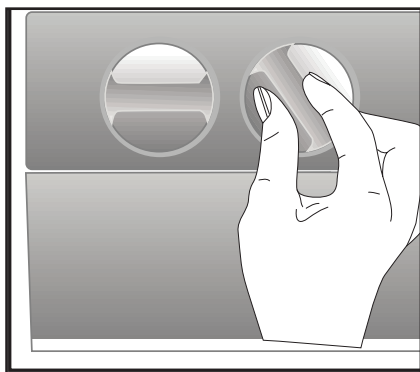
Kubat e akullit në rezervuarë do të bien në kontejnerin e ruajtjes së akullit poshtë.

Mund ta nxirri kontejnerin e ruajtjes së akullit dhe t'i përdorni kubat e akullit.

Nëse dëshironi, mund t'i mbani kubat e akullit në kontejnerin e ruajtjes së akullit.

Kontejneri i ruajtjes së akullit

Kontejneri i ruajtjes së akullit është vetëm për grumbullimin e kubave të akullit. Mos hidhni ujë në të. Në rast të kundërt, ai do të thyhet.



5.12 Përdorimi i aparatit të ujit

*opsionale



Është normale që në fillim disa gota me ujë nga aparati të jenë të ngrohta.

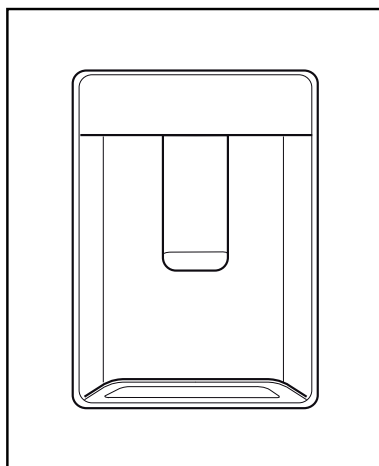


Nëse aparati i ujit nuk përdoret për një kohë të gjatë, hidhni poshtë gotat e para me ujë për të marrë ujë të pastër.

1. Shtyjeni levën e aparatit të ujit me gotë. Nëse po përdorni një gotë plastike të butë, mund të jetë më e lehtë ta shtyni levën me dorë.
2. Pasi ta mbushni gotën në nivelin e dëshiruar, lëshojeni levën.



Kini parasysh se sasia e ujit që rrjedh nga aparati varet nga sa e shtypni levën. Me rritjen e nivelit të ujit në gotë, uleni lehtë presionin e ushtruar mbi levë për të shmangur derdhjen e ujit. Nëse e shtypni pak krahnun, do të derdhet ujë; kjo është normale dhe nuk është një defekt.



Përdorimi i produktit

5.13 Mbushja e depozitës së aparatit të ujit

Rezervuari i mbushjes së depozitës së ujit ndodhet brenda raftit të derës.

1. Hapni kapakun e depozitës.
2. Mbusheni depozitën me ujë të pijshëm të freskët.
3. Mbylleni kapakun.



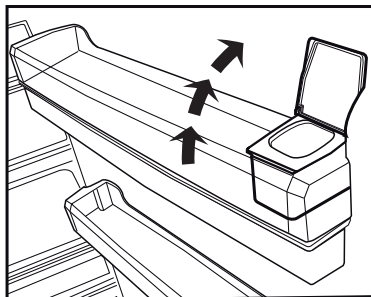
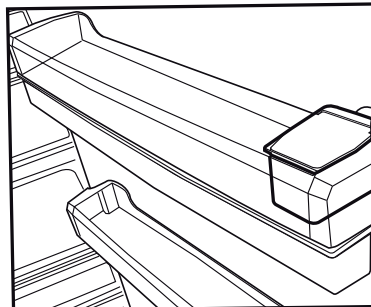
Mos e mbushni depozitën e ujit me lëngje të tjera, përveç ujit, si lëngje frutash, pije me gaz ose pije alkoolike që nuk janë të përshtatshme për t'u përdorur në aparatit e ujit. Aparati i ujit do të dëmtohet në mënyrë të pariparueshme nëse përdoren këto lëngje. Garancia nuk i mbulon përdorime të tilla. Disa substanca kimike dhe substanca të shtuara në këto lloj pijesh/lëngjesh mund të dëmtojnë depozitën e ujit.



Përdorni vetëm ujë të pastër dhe të pijshëm.



Kapaciteti i depozitës së ujit është 3 litra; mos e mbushni më shumë.



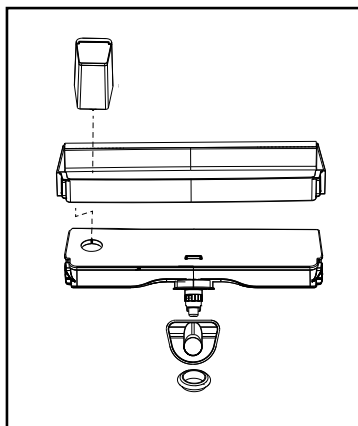
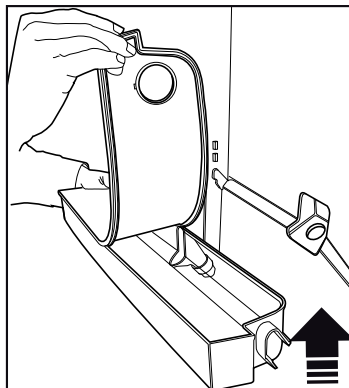
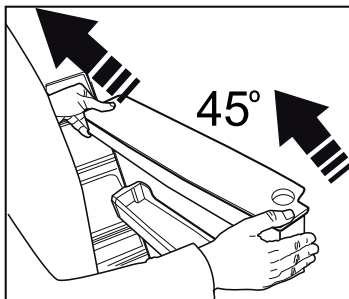
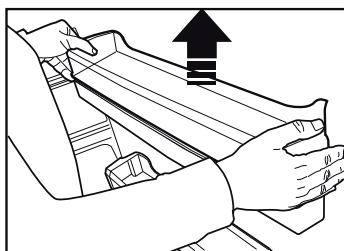
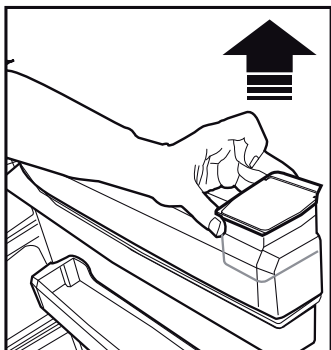
Përdorimi i produktit

5.14 Pastrimi i depozitës së ujit

1. Hiqni rezervuarin e mbushjes së ujit brenda raftit të derës.
2. Hiqni raftin e derës duke e mbajtur nga të dyja anët.
3. Kopeni depozitën e ujit nga të dyja anët dhe hiqni me një kënd 45°.
4. Hiqni kapakun e depozitës së ujit dhe pastroni depozitën.



Pjesët e depozitës së ujit dhe të aparatit të ujit nuk duhet të lahen në lavastovilje.



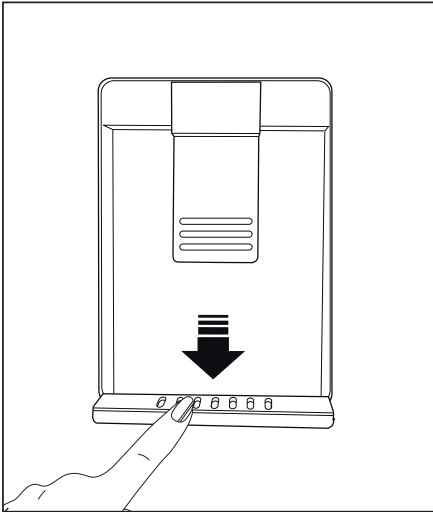
Përdorimi i produktit

5.15 Tabakaja e derdhjes

Uji që derdhet gjatë përdorimit të aparatit të ujit grumbullohet në tavën e derdhjes.

Hiqni filtrin plastik siç tregohet në figurë.

Hiqni ujin e grumbulluar me një rrobë të pastër e të thatë.



Përdorimi i produktit

5.16 Ngrirja e ushqimeve të freskëta

- Për të ruajtur cilësinë e ushqimeve, artikujt ushqimorë të vendosur në ndarjen e ngrirësit duhet të ngrijnë sa më shpejt të jetë e mundur - përdorni ngrirjen e shpejtë për këtë gjë.
- Ngrirja e ushqimeve kur janë të freskëta do të zgjasë kohën e ruajtjes së tyre në ndarjen e ngrirësit.
- Paketojini ushqimet në pako të izoluara nga ajri dhe mbyllini mirë.
- Sigurohuni që ushqimet të jenë të paketuara para se t'i vendosni në ngrirës. Përdorni mbajtëse për ngrirësin, letër alumini, letër kundër lagështisë, qese plastike ose paketime të ngjashme në vend të letrës tradicionale të paketimit.



Akulli në ndarjen e ngrirjes shkrihet automatikisht.

- Shënojeni çdo pako ushqimesh duke shënuar datën në paketim para se t'i ngrini.

Kjo do t'ju lejojë të përcaktoni freskinë e secilës pako sa herë që hapni ngrirësin. Mbjajni përpara ushqimet më të vjetra për të garantuar që do të përdoren të parat.

- Ushqimet e ngrira duhet të përdoren menjëherë pas shkrijes dhe nuk duhet të ngrijnë përsëri.
- Mos shkrihi sasi shumë të mëdha ushqimesh në të njëjtën kohë.

5.17 Rekomandimet për ruajtjen e ushqimeve të ngrira

Ndarja duhet të caktohet të paktën në -18°C.

1. Vendosini ushqimet në ngrirës sa më shpejt të jetë e mundur për të shmangur shkrijen e tyre.
2. Para se t'i ngrini, kontrolloni "Datën e skadimit" paketim për t'u siguruar që nuk kanë skaduar.
3. Sigurohuni që paketimi i ushqimit nuk është i dëmtuar.

Përcaktimi i temperaturës së ndarjes së ngrirësit	Përcaktimi i temperaturës së ndarjes së ftohësit	Detajet
-18°C	4°C	Ky është parametri i paracaktuar i rekomanduar.
-20,-22 ose -24°C	4°C	Këta parametra rekomandohen kur temperaturat e ambientit kalojnë 30°C.
Ngrirja e shpejtë	4°C	Përdoreni kur dëshironi të ngrini ushqimet për një kohë të shkurtër. Kur të mbarojë procesi, produkti do të rikthehet në pozicionin e tij.
-18°C ose më i ftohtë	2°C	Përdorni këta parametra nëse besoni se ndarja e ftohësit nuk është e ftohtë sa duhet për shkak të temperaturës së ambientit ose nga hapja e shpeshtë e derës.

Përdorimi i produktit

5.18 Detajet për ngrirjen e thellë

Sipas standardeve IEC 62552, ngrirësi duhet të ketë kapacitetin për të ngrirë 4,5 kg ushqime në -18°C ose në temperatura më të ulët në 24 orë për çdo 100 litra vëllim të ndarjes së ngrirësit.

Ushqimet mund të ruhen për periudha të gjata vetëm në -18°C ose në temperaturë më të ulët.

Mund t'i mbani ushqimet të freskëta për muaj të tërë (në grirje të thellë ose në temperatura nën -18°C).

Ushqimet që do të ngrini nuk duhet të bien në kontakt me ushqimet e ngrira në brendësi për të shmangur shkrijen e pjesshme.

Ziejini perimet dhe filtrojeni ujin për të zgjatur kohën e ruajtjes në ngrirje. Vendosini ushqimet në paketime të izoluar nga ajri pas filtrimit dhe vendosini në ngrirës. Bananet, domatet, sallata, selinoja, vezët e ziera, patatet dhe ushqime të tjera të ngjashme nuk duhet të ngrihen. Në rast se këto ushqime kalben, kjo do të ketë ndikim negativ vetëm në vlerat ushqimore dhe cilësitë e shijeve. Kalbja nuk do të jetë një rrezik për shëndetin njerëzor.

5.19 Vendosja e ushqimeve

Raftet e ndarjes së ngrirësit	Ushqimet e ndryshme të ngrira si mishi, peshku, akullorja, perimet, etj.
Raftet e ndarjes së ftohësit	Ushqimet në vazo, pjata e mbuluara dhe kuti me kapak, vezë (në kuti me kapak)
Raftet e derës së ndarjes së ftohësit	Pije dhe ushqime të vogla të paketuara
Koshi i perimeve	Frutat dhe perimet
Ndarja e ushqimeve të freskëta	Ushqimet delikate (ushqimet për mëngjes, produktet e mishit që do të konsumohen së shpejti)

5.20 Sinjalizimi i hapjes së derës (Opsionale)

Do të dëgjoni një sinjalizim zanor nëse dera e produktit qëndron e hapur për të paktën 1 minutë. Sinjalizimi zanor do të ndalojë kur dera është e mbyllur ose kur shtypet një buton në ekran (nëse ka).

Sinjalizimi për derën e hapur bëhet në mënyrë zanore dhe vizuale për përdoruesin. Drita e brendshme do të çaktivizohet nëse paralajmërimi vazhdon për 10 minuta.

5.21 Ndryshimi i drejtimit të hapjes së derës

Mund ta ndryshoni drejtimin e hapjes së frigoriferit në varësi të vendit ku e përdorni. Kur të keni nevojë të bëni këtë, këshillohuni me shërbimin e autorizuar më të afërt.

Shpjegimi i mësipërm është një prezantim i përgjithshëm. Duhet të kontrolloni etiketën e paralajmërimit që ndodhet brenda paketimit të produktit mbi mundësinë e ndryshimit të drejtimit të derës.

5.22 Drita e brendshme

Drita e brendshme përdor një llambë të tipit LED. Kontaktoni me shërbimin e autorizuar për çdo problem me këtë llambë.

Llamba(t) e përdorur në këtë pajisje nuk mund të përdoret për ndriçimin e shtëpisë. Qëllimi i përdorimit të kësaj llambe është të ndihmojë përdoruesin të vendosë ushqime në frigorifer / ngrirës në mënyrë të sigurt dhe me lehtësi.

5.23 Drita blu/HarvestFresh

***Mund të mos jetë e disponueshme në të gjitha modelet**

Për dritën blu,

Frutat dhe perimet e ruajtura në ndarëset e perimeve që ndriçohen me një dritë blu vazhdojnë fotosintezën nëpërmjet efektit të gjatësisë së valëve të dritës blu dhe ruajnë kështu përmbajtjen e vitaminave.

Për HarvestFresh,

Frutat dhe perimet e ruajtura në ndarëset e perimeve që ndriçohen me teknologjinë HarvestFresh i ruajnë vitaminat për një kohë më të gjatë falë dritave blu, jeshile dhe të kuqe dhe cikleve të errësirës, të cilat simulojnë ciklin e një dite.

Nëse e hapni derën e frigoriferit gjatë periudhës së errësirës së teknologjisë HarvestFresh, frigoriferi do ta zbulojë automatikisht këtë dhe do të aktivizojë dritën blu-jeshile ose të kuqe për ndriçimin e ndarëses së perimeve për lehtësinë tuaj. Pasi ta keni mbyllur derën e frigoriferit, periudha e errësirës do të vazhdojë duke përfaqësuar kohën e natës në ciklin e një dite.

Jetëgjatësia e produktit rritet nëse ai pastrohet rregullisht



KUJDES: Në fillim hiqeni produktin nga prizë para se ta pastroni.

- Mos përdorni asnjëherë mjete të mprehta dhe gërryese, sapun, pastrues shtëpiak, detergjente dhe shkëlqyes me dyllë për pastrimin.
- Tretni një lugë çaji me karbonat në një gjysmë litri ujë. Lagni një rrobë me këtë solucion dhe shtrydhjeni mirë. Fshini pjesën e brendshme të pajisjes me këtë rrobë dhe thajeni mirë.
- Sigurohuni që uji të mos hyjë te struktura e llambës dhe elementet e tjera elektrike.
- Pastroni derën me një rrobë të njomë. Për të hequr raftet e derës dhe të trupit të pajisjes, hiqni të gjitha përmbajtjet e tyre. Hiqni raftet e derës duke i lëvizur lart. Pas pastrimit, rrëshqitini nga lart poshtë për t'i montuar.
- Mos përdorni asnjëherë substanca ose ujë me klor për të pastruar sipërfaqet e jashtme dhe pjesët me veshje kromi të produktit. Klorigjaktakton gërryerjen e sipërfaqeve të tilla metalike.
- Mos përdorni mjete të mprehta, gërryese, sapun, substanca pastrimi të shtëpisë, detergjente, vajguri, kaburant, vaj, bojë etj. për të parandaluar heqjen dhe deformimin e printimeve në pjesët plastike. Përdorni ujë të vakët dhe një pecetë të butë për pastrimin dhe më pas thajeni duke e fshirë.

6.1. Shmangia e aromave të këqija

Për prodhimin e pajisjeve tona nuk përdoren materiale që mund të shkaktojnë aroma. Sidoqoftë, për shkak të kushteve të papërshtatshme të ruajtjes së ushqimeve dhe mospastrimit të sipërfaqes së brendshme të pajisjes si duhet mund të shfaqet problemi i aromave të këqija.

Për këtë arsye, pastrojeni frigoriferin me karbonat të tretur në ujë çdo 15 ditë.

- Mbajini ushqimet në kontejnerë të mbyllur. Mikroorganizmat që përhapen nga kontejnerët e pambuluar mund të shkaktojnë aroma të pakëndshme.

- Mos mbani asnjëherë ushqime të prishura dhe me data të skaduara në frigorifer.

6.2. Mbrojtja e sipërfaqeve plastike

Pastroni menjëherë me ujë të ngrohtë pasi vaji mund të shkaktojë dëmtim në sipërfaqe kur bie mbi sipërfaqet plastike.

6.3. Xhamat e derës

Hiqni fletën mbrojtëse të xhamave.

Në sipërfaqen e xhamave ka një shtresë. Kjo shtresë minimizon grumbullimin e njollave dhe ndihmon në heqjen e njollave dhe papastërtive me lehtësi. Xhamat që nuk janë të mbrojtura me një veshje të tillë mund të jenë objekt i grumbullimit të papastërtive organike ose joorganike me bazë uji ose ajri si smërç, kripëra minerale, hidrokarbure të padjegura, okside metali dhe silikonë që mund të shkaktojnë njolla ose dëmtime të materialeve me shpejtësi dhe me lehtësi. Pastrimi i vazhdueshëm i xhamit bëhet i vështirë, pavarësisht pastrimit të rregullt. Si pasojë, pamja dhe tejudukshmëria e xhamit do të përkeqësohet. Substancat dhe metodat e pastrimit të ashpra dhe gërryese do t'i përkeqësojnë këto defekte dhe do ta shpejtojnë këtë proces.

Për pastrimin e rregullt duhet të përdoren produkte pastrimi me bazë uji që nuk janë alkaline dhe gërryese.

Për pastrimin duhet të përdoren materiale jo alkaline dhe jo gërryese në mënyrë që jetëgjatësia e kësaj veshjeje të zgjasë për një kohë të gjatë.

Këta xhama janë të temperuar, për të rritur qëndrueshmërinë e tyre ndaj goditjeve dhe thyerjes. Në sipërfaqet e tyre të pasme është vendosur po ashtu një fletë sigurie si një masë shtesë sigurie për të parandaluar dëmtimet e ambientit rrethues në rast se thyhen.

*Alkali është një bazë që krijon jone hidroksidi (OH) kur tretet në ujë.

Li (litiumi), Na (natriumi), K (kaliumi) Rb (rubidiumi), Cs (ceziumi) dhe metalet artificiale dhe radioaktive Fr (fansiumi) quhen METALE ALKALINE.

Kontrolloni këtë listë para se të kontaktoni me servisin. Kjo do t'ju kursejë kohë dhe para. Kjo listë përfshin ankesat e shpeshta që nuk janë të lidhura me defekte të prodhimit ose të materialeve. Disa veçori të përmendura këtu mund të mos jenë të vlefshme për produktin tuaj.

Frigoferi nuk punon.

- Spina elektrike nuk është vendosur mirë. >>> Shtyjeni që të jetë e vendosur mirë në prizë.
- Siguresa e lidhur me prizën e produktit ose siguresa kryesore mund të jetë e djegur. >>> Kontrolloni siguresat.

Kondensim në faqen anësore të ndarjes së ftohësit (pjesameshëmëzona, ftohësi, kontrolli dhe zona fleksibël)

- Mjedisi është shumë i lagësht. >>> Mos e montoni produktin në mjedise me lagështi.
- Ushqimet e lëngshme mbahen në mbajtëse të paizoluara. >>> Mbajini ushqimet e lëngshme në mbajtëse të izoluara.
- Dera e produktit është lënë e hapur. >>> Mos e mban derën e frigoferit të hapur për periudha të gjata.
- Temperatura e termostatit është shumë e ulët. >>> Vendoseni termostatit në temperaturën e duhur

Kompresori nuk punon.

- Në rast se ndërprerjeve të energjisë ose heqjes dhe rivendosjes së spinës, presioni i gazit në sistemin e ftohjes së produktit nuk është i ekuilibruar dhe kjo aktivizon mbrojtjen termik të kompresorit. Produkti do të rifillojë punën pas afro 6 minutash. Nëse produkti nuk rifillon punën pas kësaj periudhe, kontaktoni me servisin.
- Shkrija është aktive. >>> Kjo është normale për një produkt me shkrija automatike. Shkrija kryhet periodikisht.
- Produkti nuk është në prizë. >>> Sigurohuni që kordoni elektrik të jetë në prizë.
- Përcaktimi i temperaturës nuk i gabuar. >>> Zgjidhni përcaktimin e përshtatshëm të temperaturës.
- Nuk ka energji elektrike. >>> Produkti do të vazhdojë të punojë si normalisht pas rikthimit të energjisë

Zhurma e përdorimit të frigoferit rritet gjatë punës.

- Rendimenti i përdorimit të frigoferit mund të ndryshojë në varësi të ndryshimeve të temperaturës së ambientit. Kjo është normale dhe nuk është një defekt.
- Frigoferi punon shumë shpesh dhe për një kohë të gjatë.
- Produkti i ri mund të jetë më i madh se produkti i mëparshëm. Produktet e mëdha do të punojnë për periudha më të gjata.
- Temperatura e dhomës mund të jetë shumë e lartë. >>> Produkti do të punojë normalisht për periudha më të gjata në temperatura më të larta të dhomës.
- Produkti mund të jetë vënë në prizë së fundi ose mund të jenë vendosur ushqime të tjera në të. >>> Produkti do të kërkojë më shumë kohë për të arritur temperaturën e caktuar kur vendoset në prizë së fundi ose kur vendosen ushqime të reja. Kjo është normale.
- Sasi të mëdha ushqimesh të nxehta mund të jenë vendosur në produkt së fundi. >>> Mos vendosni ushqime të nxehta te produkti.
- Dyert janë hapur shpesh ose janë mbajtur të hapura për periudha të gjata. >>> Ajri i ngrohtë që lëviz brenda do të bëjë që produkti të punojë më gjatë. Mos i hapni shumë shpesh dyert.
- Dera e ngrirësit ose e ftohësit mund të jetë pak e hapur. >>> Kontrolloni që dyert të jenë të mbyllura mirë.
- Produkti mund të jetë vendosur në temperaturë shumë të ulët. >>> Vendoseni temperaturën pak më lart dhe prisni që produkti të arrijë temperaturën e rregulluar.
- Rondelja e derës së ftohësit ose ngrirësit mund të jetë e pistë, e konsumuar, e thyer ose jo në vendin e duhur. >>> Pastroni ose ndërroni rondelen. Rondelet e dëmtuara/të konsumuara të derës do të bëjnë që produkti të punojë për periudha më të gjata për të ruajtur temperaturën aktuale.

Zgjidhja e problemeve

Zgjidhja e problemeve

- Temperatura e ndarjes së ngrirësit është vendosur shumë e ulët. >>> Ngrijeni pak temperaturën e ndarjes së ngrirësit dhe kontrollojeni përsëri.
- Temperatura e ftohësit është shumë e ulët, por temperatura e ngrirësit është e përshtatshme.
- Temperatura e ndarjes së ftohësit është vendosur shumë e ulët. >>> Ngrijeni pak temperaturën e ndarjes së ngrirësit dhe kontrollojeni përsëri.
- Ushqimet në raftet e ndarjes së ftohësit janë të ngrira
- Temperatura e ndarjes së ftohësit është vendosur shumë e ulët. >>> Ngrijeni pak temperaturën e ndarjes së ngrirësit dhe kontrollojeni përsëri.
- Temperatura në ftohës ose në ngrirës është shumë e lartë.
- Temperatura e ndarjes së ftohësit është vendosur shumë e lartë. >>> Përcaktimi i temperaturës së ndarjes së ftohësit ka ndikim në temperaturën në ndarjen e ngrirësit. Prisni deri sa temperatura e pjesëve përkatëse të arrijë një nivel të mjaftueshëm duke e ndryshuar temperaturën e ndarjes së ftohësit ose të ngrirësit.
- Dyert janë hapur shpesh ose janë mbajtur të hapura për periudha të gjata. >>> Mos i hapni shumë shpesh dyert.
- Dera mund të jetë pak e hapur. >>> Mbylleni plotësisht derën.
- Produkti mund të jetë vënë në prizë së fundi ose mund të jenë vendosur ushqime të tjera në të. >>> Kjo është normale. Produkti do të kërkojë më shumë kohë për të arritur temperaturën e caktuar kur vendoset në prizë së fundi ose kur vendosen ushqime të reja.
- Sasi të mëdha ushqimesh të nxehta mund të jenë vendosur në produkt së fundi. >>> Mos vendosni ushqime të nxehta te produkti.
- Dyshemeja nuk është në nivel ose e qëndrueshme. >>> Nëse produkti tundet kur e lëvizni ngadalë, rregulloni mbështetëset për ta sjellë produktin në ekuilibër. Sigurohuni po ashtu që dyshemeja të jetë mjaft e fortë për të mbajtur produktin.
- Artikujt e vendosur në produkt mund të shkaktojnë zhurmë. >>> Hiqni artikujt e vendosur në produkt.
- Produkti bën zhurma si rrjedhje lëngjesh, spërkatje, etj.
- Parimet e funksionimit të produktit përfshijnë rrjedhjen e lëngjeve dhe të gazeve. >>> Kjo është normale dhe nuk është një defekt.
- Ka zhurmë sikur fryn erë nga produkti.
- Produkti përdor një ventilator për procesin e ftohjes. Kjo është normale dhe nuk është një defekt.
- Ka kondensim në muret e brendshme të produktit.
- Moti i nxehtë ose i lagësht do të rrisë krijimin e akullit dhe të kondensimit. Kjo është normale dhe nuk është një defekt.
- Dyert janë hapur shpesh ose janë mbajtur të hapura për periudha të gjata. >>> Mos i hapni shumë
- shpesh dyert - nëse është e hapur, mbylleni derën.
- Dera mund të jetë pak e hapur. >>> Mbylleni plotësisht derën.
- Ka kondensim në pjesën e jashtme të produktit ose midis derve.
- Moti në ambient mund të ketë lagështi, kjo është normale në një mot të lagësht. >>> Kondensimi
- do të largohet kur të ulet lagështia.
- Pjesa e brendshme ka aromë të keqe.

Zgjidhja e problemeve

Dridhje ose zhurmë.

Zgjidhja e problemeve

- Produkti nuk është pastruar rregullisht. >>> Pastroni pjesën e brendshme rregullisht me një sfungjer, ujë të ngrohtë dhe ujë me sodë.
- Disa mbajtëse dhe materiale paketimi mund të shkaktojnë aroma. >>> Përdorni mbajtëse dhe materiale paketimi pa aroma.
- Ushqimet janë vendosur në mbajtëse të paizoluara. >>> Mbajini ushqimet në mbajtëse të izoluara. Mikroorganizmat mund të përhapen nga ushqimet e paizoluara dhe të shkaktojnë aroma të këqija. Hiqni ushqimet e skaduara ose të prishura nga produkti.

Dera nuk mbyllet.

- Paketimet e ushqimeve mund të bllokojnë derën. >>> Zhvendosni artikujt që bllokojnë dyert.
- Produkti nuk qëndron drejt vertikalisht në dysheme. >>> Rregulloni mbështetëset për ekuilibrimin e produktit.
- Dyshemeja nuk është në nivel ose e qëndrueshme. >>> Sigurohuni që dyshemeja të jetë në nivel dhe mjaft e fortë për të mbajtur produktin.

Koshi i perimeve është bllokuar.

- Ushqimet mund të jenë në kontakt me pjesën e sipërme të raftit. >>> Sistemoni përsëri ushqimet në raft.

Nëse Sipërfaqja E Produktit Është E Nxehtë

- Mund të vërehen temperatura të larta midis dy derve, në panelet anësore dhe në grilën e pasme ndërsa produkti është në punë. Kjo është normale dhe nuk kërkon shërbim mirëmbajtjeje! Bëni kujdes kur prekni këto zona.



KUJDES: Nëse problemi përsëritet pasi të ndiqni udhëzimet në këtë paragraf, kontaktoni me shitësin ose me një servis të autorizuar. Mos u përpiqni ta riparoni produktin.

Molimo pročitajte ovaj priručnik prije korištenja proizvoda!

Dragi kupci,

Mi želimo da na najbolji način iskoristite naš proizvod, koji je proizveden u modernim objektima veoma pažljivo i s pedantnom kontrolom kvalitete.




Stoga vam savjetujemo da pročitate cijeli korisnički priručnik prije korištenja ovog proizvoda. Ako proizvod promijeni vlasnika, ne zaboravite da uz proizvod novom vlasniku date i ovaj priručnik.

Ovaj priručnik će vam pomoći da proizvod koristite brzo i bezbjedno.

- Molimo pažljivo pročitajte korisnički vodič prije instaliranja i upotrebe proizvoda.
- Obavezno se pridržavajte važećih sigurnosnih uputa.
- Korisnički vodič držite na dohvat ruke za buduću upotrebu.
- Molimo vas da pročitate sve ostale dokumente koje ste dobili uz proizvod.

Imajte na umu da se ovaj korisnički vodič može primjenjivati na nekoliko modela proizvoda. Vodič jasno ukazuje na bilo kakve varijacije kod različitih modela.

	Važne informacije i korisni savjeti.
	Opasnost po život i imovinu.
	Opasnost od strujnog udara.
	Ambalaža proizvoda je napravljena od sekundarnih sirovina, u skladu s nacionalnim propisima za zaštitu okoliša.

 PODACI	
	
<small>SUPPLIER'S NAME</small> A	<small>MODEL IDENTIFIER (*)</small> A
<small>Podaci o modelu pohranjeni u bazi podataka o proizvodu mogu se dobiti unosom sledeće mrežne stranice i pretragom po identifikacionom broju vašeg modela (*) koji se nalazi na oznaci potrošnje električne energije.</small>	
<small>https://eprel.ec.europa.eu/</small>	

1. Sigurnosne upute i upute o zaštiti okoliša **3**

- 1.1. Opšta sigurnost 3
- 1.1.1 HC upozorenje 5
- 1.1.2 Za modele sa automatom za vodu. 5
- 1.2. Namjena 6
- 1.3. Sigurnost djece 6
- 1.4. Usklađenost s direktivom WEEE i Odlaganje otpadnog proizvoda: 7
- 1.5. Usklađenost sa RoHS direktivom. 7
- 1.6. Informacija o ambalaži 7

2 Vaš hladnjak **8**

3 Instalacija **9**

- 3.1. Odgovarajuće mjesto za instalaciju 9
- 3.2. Postavljanje plastičnih klinova 9
- 3.3. Podešavanje postolja 9
- 3.4. Priključak za napajanje 10

4 Priprema **11**

- 4.1. Što učiniti za uštedu energije 11
- 4.2. Prvo korištenje. 11

5 Korištenje proizvoda **12**

- 5.1. Indikatorska ploča 12
- 5.2. Fioka za led 14
- 5.3. Držač za jaja 14
- 5.4. Ventilator 15
- 5.5. Kutija za povrće 15
- 5.6. Odjeljak za mliječne proizvode (hladno spremište) 15
- 5.7. Klizna kutija za odlaganje 15
- 5.8. Pokretna polica na vratima 16
- 5.9. Posuda za povrće sa kontrolom vlažnosti. 17
- 5.10. Automatska mašina za led 17
- 5.11. Icematic i posuda za čuvanje leda 18
- 5.12. Korištenje automata za vodu 18
- 5.13. Punjenje rezervoara automata vodom. . . 19
- 5.14. Čišćenje rezervoara za vodu 20
- 5.15. Posuda za kapanje 21
- 5.16. Zamrzavanje svježe hrane 22
- 5.17. Preporuke za skladištenje smrznute hrane22
- 5.18. Detalji zamrzivača za duboko zamrzavanje23
- 5.19. Stavljanje hrane 23
- 5.20. Upozorenje na otvorena vrata 23
- 5.21. Promjena smjera otvaranja vrata 23
- 5.22. Unutrašnje osvjetljenje 23
- 5.23. Plavo svjetlo/HarvestFresh. 24






6 Održavanje i čišćenje **25**

- 6.1. Izbjegavajte neugodne mirise 25
- 6.2. Zaštita plastičnih površina 25
- 6.3. Stakla na vratima 25

7 Rješavanje problema **26**

Ovo poglavlje sadrži sigurnosne upute potrebne da bi spriječili rizik od ozljede i materijalne štete. Nepoštovanje ovih uputa će poništiti sve vrste garancije proizvoda.

Namjena

	UPOZORENJE: Ventilacijske otvore na uređaju, kućištu aparata ili ugrađenoj strukturi održavajte bez prepreka.
	UPOZORENJE: Za ubrzavanje procesa odmrzavanja koristite samo mehaničke uređaje ili druga sredstva koja je preporučio proizvođač.
	UPOZORENJE: Nemojte oštetiti rashladno kolo.
	UPOZORENJE: Ne koristite električne uređaje u odjeljcima za skladištenje hrane, osim ako oni ne pripadaju tipu koji je preporučio proizvođač.
	UPOZORENJE: Nemojte skladištiti eksplozivne tvari poput limenki s aerosolom sa zapaljivim potisnim plinom u ovaj uređaj.

Ovaj uređaj je namijenjen za korištenje u domaćinstvu i u sličnim objektima, kao što su

- mala kuhinja za zaposlene u trgovinama, uredima i drugim radnim okruženjima;
- seoske kuće i za goste u hotelima, motelima i drugim stambenim objektima;
- objekti koji nude prenoćište i doručak,
- za pripremu i dostavu hrane i slične primjene koje ne spadaju u maloprodaju.

1.1. Opšta sigurnost

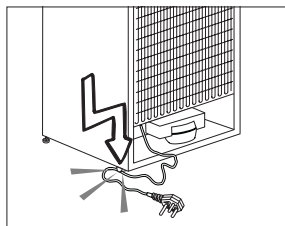
- Ovaj proizvod ne trebaju koristiti osobe sa fizičkim, senzornim i mentalnim invaliditetom, osobe bez dovoljno znanja i iskustva ili djeca. Takve osobe mogu koristiti uređaj samo pod nadzorom i instrukcijama osobe odgovorne za njihovu sigurnost. Djeca ne treba dopustiti da se igraju sa ovim uređajem.
- U slučaju kvara, isključite uređaj.
- Nakon isključivanja, pričekajte najmanje 5 minuta prije nego što ga ponovno uključite.
- Isključite proizvod kada nije u upotrebi.

Sigurnosne upute i upute o zaštiti okoliša

- Ne dodirujte utikač mokrim rukama! Ne vucite kabel da bi ga isključili, uvijek vucite samo utikač.
 - Ne uključujte hladnjak ako je utičnica hlabava.
 - Isključite proizvod prilikom instalacije, održavanja, čišćenja i popravke.
 - Ako se proizvod neće koristiti neko vrijeme, isključite uređaj i izvadite hranu iz njega.
 - Nemojte koristiti ovaj proizvod kada je odjeljak sa štampanim karticama koji se nalazi u gornjem zadnjem dijelu proizvoda (poklopac električnog odjeljka sa karticama (1) otvoren.
- 
- 
- Nemojte koristiti paru ili sredstva za čišćenje parom za čišćenje hladnjaka i topljenje leda u njemu. Para može doći u dodir s dijelovima pod naponom i dovesti do kratkog spoja ili strujnog udara!
 - Ne perite proizvod prskanjem ili sipanjem vode na njega! Opasnost od strujnog udara!
 - U slučaju kvara, ne koristite proizvod, jer to može dovesti do strujnog udara. Kontaktirajte ovlaštenu servis prije nego što bilo šta uradite.
 - Priključite uređaj na uzemljenu utičnicu. Uzemljenje mora izvršiti kvalificirani električar.
 - Ako proizvod ima rasvjetu LED tipa, kontaktirajte ovlaštenu servis za zamjenu ili u slučaju bilo kakvog problema.
 - Ne dirajte smrznutu hranu vlažnim rukama! Ona se može zalijepiti za ruke!
 - Ne stavljajte tečnosti u bocama i limenkama u odjeljak zamrzivača. One mogu prsnuti!
 - Tečnosti postavite u uspravan položaj nakon što čvrsto zatvorite poklopac.

Sigurnosne upute i upute o zaštiti okoliša

- Ne prskajte zapaljive tvari u blizini proizvoda, jer se mogu zapaliti ili eksplodirati.
- Ne držite zapaljive materijale i proizvode sa zapaljivim plinom (sprejevi, itd) u hladnjaku.
- Ne stavljajte posude sa tekućinama na vrh proizvoda. Prskanje vode na elektrificirani dio može dovesti do strujnog udara i opasnosti od požara.
- Izlaganje proizvod kiši, snijegu, suncu i vjetru će izazvati električnu opasnost. Kada premještate proizvod, ne vucite ga za ručicu na vratima. Ručica može otpasti.
- Vodite računa da izbjegnute hvatanje bilo kog dijela ruke ili tijela u bilo koji od pokretnih dijelova unutar proizvoda.
- Nemojte stajati niti se naslanjati na vrata, ladice i slične dijelove hladnjaka. To će uzrokovati da proizvod padne i izazvati oštećenje dijelova.
- Vodite računa da ne uhvatite kabel za napajanje.



1.1.1 HC upozorenje

Ako proizvod sadrži sistem za hlađenje koji koristi plin R600a, vodite računa da izbjegnute oštećenje sistema za hlađenje i njegovih cijevi dok koristite i premještate proizvod. Ovaj plin je zapaljiv. Ako je sistem za hlađenje oštećen, držite proizvod podalje od izvora vatre i odmah provjetrite prostoriju.



Etiketa na unutarnjoj lijevoj strani ukazuje na vrstu plina koji se koristi u proizvodu.

1.1.2 Za modele sa automatom za vodu

- Pritisak za dovod hladne vode treba biti maksimalno 90 psi (6,2 bara). Ako vodeni pritisak premašuje 80 psi (5,5 bara), koristite ventil za ograničenje pritiska u sistemu za napajanje. Ako

Sigurnosne upute i upute o zaštiti okoliša

ne znate kako da provjerite vodeni pritisak, potražite pomoć od profesionalnog vodoinstalatera.

- Ukoliko postoji rizik od efekta vodenog udara na vašoj instalaciji, uvijek koristite opremu za sprječavanje vodenog udara. Konsultujte profesionalne vodoinstalatere ako niste sigurni da li postoji efekat vodenog udara u vašoj instalaciji.
- Nemojte instalirati na dovodu vruće vode. Preduzmite mjere predostrožnosti protiv rizika od smrzavanja crijeva. Temperatura vode radnog intervala će biti minimalno 33°F (0,6 °C) i maksimalno 100°F (38°C).
- Koristite samo vodu za piće.

1.2. Namjena

- Ovaj proizvod je dizajniran za kućnu upotrebu. On nije namijenjen za komercijalnu upotrebu.

- Proizvod treba koristiti samo za čuvanje hrane i pića.
- Nemojte držati osjetljive proizvode koji zahtijevaju kontrolirane temperature (vakcine, lijekove osjetljive na toplotu, sanitetski materijal itd.) u hladnjaku.
- Proizvođač ne preuzima odgovornost za bilo kakvu štetu zbog zloupotrebe ili neispravne upotrebe.
- Originalni rezervni dijelovi će biti obezbijedeni tijekom narednih 10 godina od datuma kupovine proizvoda.

1.3. Sigurnost djece

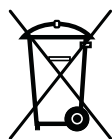
- Držite ambalažu van dohvata djece.
- Nemojte dopustiti djeci da se igraju s proizvodom.

Sigurnosne upute i upute o zaštiti okoliša

- Ako vrata proizvoda imaju bravu, držite ključ van dohvata djece.

1.4. Usklađenost s direktivom WEEE i Odlaganje otpadnog proizvoda:

Ovaj proizvod je usklađen s Direktivom EU WEEE (2012/19/EU). Ovaj proizvod nosi simbol klasifikacije za odlaganje električne i elektronske opreme (WEEE).



Ovaj proizvod je proizveden od visokokvalitetnih dijelova i materijala koji se mogu ponovo koristiti i pogodni su za reciklažu. Na kraju radnog vijeka, ne bacajte otpadni proizvod sa običnim domaćim i ostalim otpadom.

Odnosite ga u sabirni centar za recikliranje električne i elektronske opreme. Obratite vašim lokalnim vlastima kako biste saznali više o ovim sabirnim centrima.

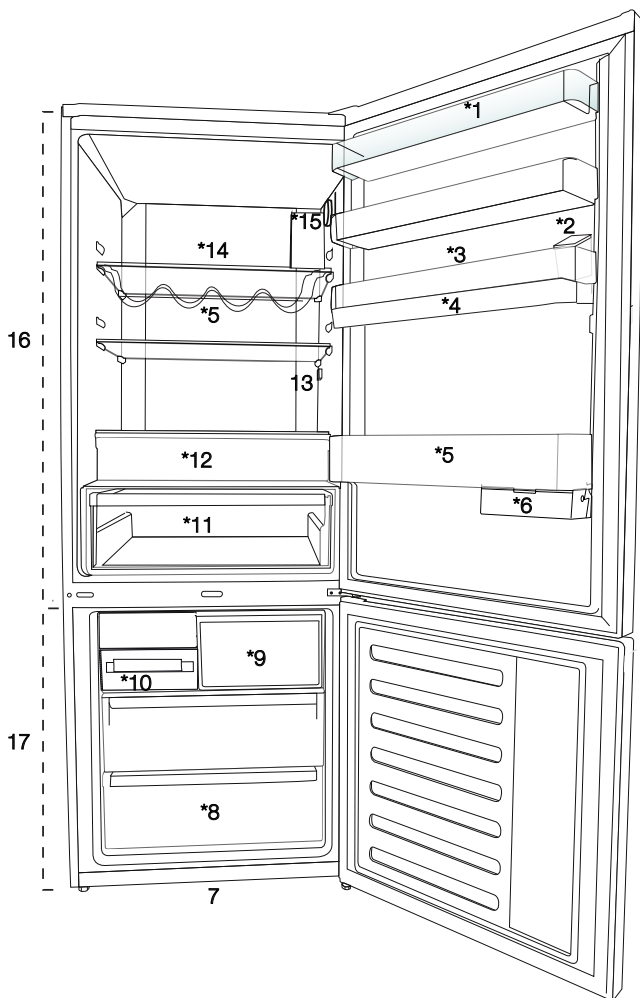
1.5. Usklađenost sa RoHS direktivom

- Ovaj proizvod je usklađen s Direktivom EU WEEE (2011/65/EU). On ne sadrži štetne i zabranjene materijale navedene u Direktivi.

1.6. Informacija o ambalaži

- Ambalaža proizvoda je proizvedena od sekundarnih sirovina u skladu s našim nacionalnim propisima za zaštitu okoliša. Ne bacajte ambalažu zajedno s domaćim ili drugim otpadom. Odnosite je do sabirnih centara za ambalažu koje su odredile lokalne vlasti.

2 Vaš hladnjak



1. Polica na vratima odjeljka za hlađenje
2. Rezervoar za punjenje aparata za vodu
3. Odjeljak za jaja
4. Rezervoar aparata za vodu
5. Polica za boce
6. Klizna kutija za odlaganje
7. Podesive nožice
8. Odjeljak za duboko zamrzavanje
9. Odjeljak za brzo smrzavanje
10. Posuda za led i fioka za led
11. Kutija za povrće
12. Odjeljak za mliječne proizvode (hladno spremište)
13. Unutrašnje osvjetljenje
14. Staklena polica odjeljka za hlađenje
15. Tipka za podešavanje temperature
16. Odjeljak hladnjaka
17. Zamrzivač



***opcionalno:** Slike date u ovom priručniku služe samo kao primjeri i ne moraju biti potpuno iste kao vaš proizvod. Ako vaš proizvod ne sadrži odgovarajuće dijelove, informacije se odnose na druge modele.

3.1. Odgovarajuće mjesto za instalaciju

Kontaktirajte ovlaštenu servis za instalaciju proizvoda. Da biste proizvod pripremili za instalaciju, pogledajte informacije u korisničkom vodiču i pobrinite se da su snabdijevanje struje i vode u skladu sa zahtjevima. Ako nisu, nazovite električara i vodoinstalatera da bi ih postavili po potrebi.



UPOZORENJE: Proizvođač ne preuzima odgovornost za bilo kakvu štetu nastalu radom koji je obavila neovlaštena osoba.



UPOZORENJE: Kabel za napajanje proizvoda mora biti isključen iz struje tijekom instalacije. Ako to ne učinite, može doći do smrti ili teških povreda!



UPOZORENJE: Ako je raspon vrata preuzak da proizvod prođe, skinite vrata i okrenite proizvod u stranu, a ako i to ne uspe, kontaktirajte ovlaštenu servis.

- Stavite proizvod na ravnu površinu kako bi izbjegli vibracije.
- Postavite proizvoda najmanje 30 cm od grijalice, peći i sličnih izvora topline i najmanje 5 cm od električnih peći.
- Ne izlažite proizvod direktnoj sunčevoj svjetlosti ili ne držite ga u vlažnom okruženju.
- Proizvod zahtijeva adekvatnu cirkulaciju zraka da bi efikasno funkcionirao.
- Ako proizvod treba da se stavi u nišu, ne zaboravite da ostavite najmanje 5 cm udaljenosti između uređaja i plafona i zidova.
- Ne postavljajte proizvod u okruženjima s temperaturama ispod -5°C .
- Vaš proizvod zahtijeva adekvatnu cirkulaciju zraka da bi efikasno funkcionirao. Ako će proizvod biti smješten u niši, ne zaboravite ostaviti najmanje 5 cm razmaka između proizvoda i stropa, zida sa stražnje strane i zidova s bočnih strana.

- Ako će proizvod biti smješten u niši, ne zaboravite ostaviti najmanje 5 cm razmaka između proizvoda i stropa, zida sa stražnje strane i zidova s bočnih strana. Provjerite da li se zaštitna komponenta za razmak sa stražnje strane nalazi na predviđenom mjestu (ako je isporučena uz proizvod). Ako komponenta nije dostupna ili se izgubi ili spadne, postavite proizvod tako da između stražnje površine proizvoda i zidova prostorije bude najmanje 5 cm razmaka. Razmak sa stražnje strane važan je za učinkovit rad proizvoda.

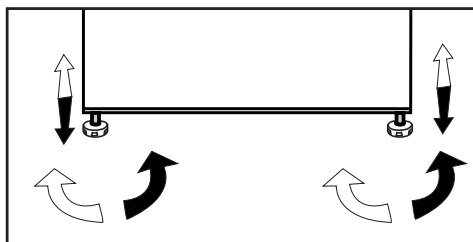
3.2. Postavljanje plastičnih klinova

Koristite plastične klinove priložene uz ovaj proizvod da osigurate dovoljno prostora za cirkulaciju zraka između uređaja i zida.




1. Da biste priključili klinove, uklonite vijke na proizvodu i koristite vijke priložene uz klinove.
2. Pričvrstite 2 plastična klina na poklopac ventilacije kao što je prikazano na slici.

3.3. Podešavanje postolja


Ako proizvod nije u uravnoteženom položaju, podesite prednja podesiva postolja okretanjem na desno ili lijevo.



3.4. Priključak za napajanje

	UPOZORENJE: Ne koristite produžni kabel ili kabel sa više utičnica na priključku za napajanje.
	UPOZORENJE: Oštećeni kabel za napajanje mora da zamijeni ovlašteni servis.
	Prilikom postavljanja dva hladnjaka jedan pored drugog, ostavite najmanje 4 cm prostora između dvije jedinice.

- Naša firma ne preuzima odgovornost za bilo kakvu štetu zbog korištenja bez uzemljenja i bez priključka za napajanje u skladu sa nacionalnim propisima.
- Napojni kabel mora biti lako dostupan nakon instalacije.
- Povežite hladnjak na uzemljenu utičnicu sa naponom od 220-240 V/50 Hz. Utikač mora sadržati osigurač od 10-16A.
- Ne koristite utikač sa više grupa sa ili bez produžnog kabela između zidne utičnice i hladnjaka.

	Upozorenje na vruću površinu! Na bočnim zidovima vašeg proizvoda ce nalaze cijevi rashladnog sredstva koje poboljšavaju rashladni sistem. Kroz ove oblasti može da teče rashladno sredstvo na visokim temperaturama, što rezultira vrućim površinama na bočnim zidovima. Ovo je normalno i nije potrebno servisiranje. Vodite računa kada dodirujete ove oblasti.
--	---

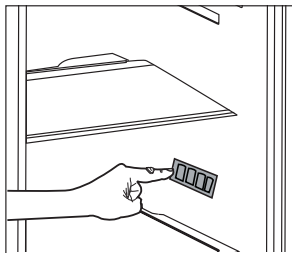
4.1. Što učiniti za uštedu energije



Povezivanje proizvoda na elektronske sisteme za štednju energije je štetno jer to može oštetiti proizvod.

- Za samostojeći uređaj; „Ovaj rashladni uređaj nije predviđen da se koristi kao ugradni uređaj“.
- Ne držite vrata hladnjaka otvorena duže vrijeme.
- Ne stavljajte toplu hranu ili pića u hladnjak.
- Nemojte prepuniti hladnjak; blokiranje unutrašnjeg protoka zraka će smanjiti kapacitet hlađenja.
- Kako biste stavili maksimalnu količinu hrane u odjeljak za hlađenje vašeg hladnjaka, treba da izvadite gornje fioke i stavite hranu na staklenu полицu. Utvrđena potrošnja električne energije vašeg hladnjaka je određena kada su izvađeni odjeljak za hlađenje, posuda za led i gornje fioke kako bi se obezbijedio maksimalni prostor za skladištenje. Prilikom skladištenja, preporučuje se korištenje donje fioke. Funkcija štednje energije treba da se aktivira da bi se obezbijedila najbolja potrošnja energije.
- Ne smete da blokirate protok zraka stavljanjem hrane ispred ventilatora hladnjaka. Prilikom stavljanja hrane, ispred zaštitne rešetke ventilatora treba se ostaviti prostor od najmanje 3 cm.
- Ovisno o karakteristikama proizvoda; odmrzavanje smrznute hrane u odjeljku hladnjaka će osigurati uštedu energije i očuvanje kvaliteta hrane.
- Hrana treba da se stavlja u fioke u odjeljku hladnjaka kako bi se osigurala štednja energije i hrana zaštitila u boljim uslovima.
- Paketi hrane ne treba da dolaze u direktan dodir sa senzorom toplote smještenim u odjeljku hladnjaka. Ako oni dođu u dodir sa senzorom, potrošnja energije uređaja se može povećati.
- Pobrinite se da namirnice ne budu u kontaktu sa senzorom temperature hladnjaka opisanog u nastavku.

- U slučaju da postoji više opcija, staklene police moraju biti postavljene tako da izlazi za zrak na zadnjem zidu ne budu začepljeni, po mogućnosti da izlazi za zrak budu ispod staklene police. Takva kombinacija može pomoći u poboljšanju raspodjele zraka i energetske efikasnosti.
- Budući da vrući i vlažni zrak ne prodire u vaš proizvod kada vrata nisu otvorena, važno će se proizvod optimizirati u uvjetima dovoljnim za zaštitu vaše hrane. Uz ovu funkciju za uštedu energije, funkcije i sastavni dijelovi kao kompresor, ventilator, grijač, odmrzivač, svijetlo, ekran i tako dalje će raditi u skladu sa potrebama za potrošnju minimalne energije pod ovim okolnostima, uz očuvanje svježine vaše hrane.



4.2. Prvo korištenje

Prije upotrebe hladnjaka, pobrinite se da su potrebne pripreme obavljene u skladu sa uputstvima u odjeljcima „Sigurnosne upute i upute o zaštiti okoliša“ i „Instalacija“.

- Pustite proizvod radi bez hrane 6 sati i ne otvarajte vrata ukoliko to nije apsolutno neophodno.



Zvuk će se čuti kada kompresor počinje da radi. Normalno je da se čuje zvuk čak i kada je kompresor neaktivan, zbog komprimiranih tekućina i plinova u sistemu hlađenja.



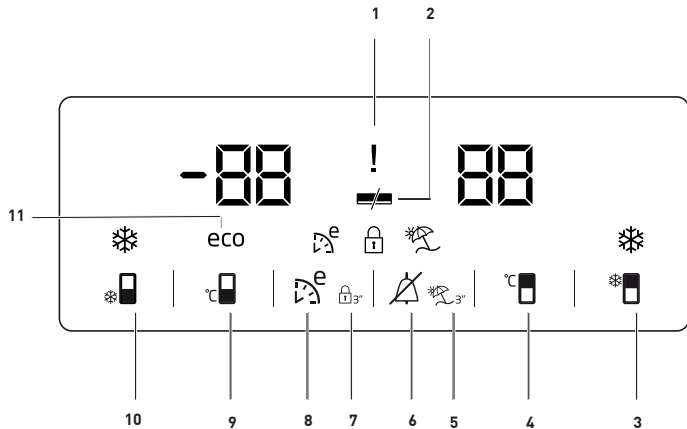
Prednje ivice proizvoda mogu da se zagriju. To je normalno. Ova područja su dizajnirana za zagrijavanje kako bi se spriječila kondenzacija.



Na nekim modelima, panel indikatora se isključuje automatski 5 minuta nakon što se vrata zatvore. On će se ponovno aktivirati kada se otvore vrata ili se pritisne bilo koja tipka.

5.1. Indikatorska ploča

Ploča s indikatorima vam omogućava da podesite temperaturu i da upravljate drugim funkcijama koje su vezane za proizvod bez otvaranja vrata proizvoda. Samo pritisnite natpise na odgovarajućim tipkama za podešavanje funkcije.



1. Pokazatelj prekida napajanja / visoke temperature / statusa pogreške

Ovaj pokazatelj (!) svijetli u slučaju upozorenja na nestanak struje, visoku temperaturu i pogreške.


Kad se temperatura zamrzivača zagrije do kritične razine za smrznutu hranu, na digitalnom pokazatelju trepće maksimalna vrijednost koju dostigne temperatura zamrzivača.

Provjerite hranu u odjeljku za zamrzavanje.

Ovo nije kvar. Upozorenje se može izbrisati pritiskom bilo kojeg gumba ili tipke za isključivanje alarma za visoku temperaturu. (Otkazivanje pritiskom bilo kojeg gumba nije primjenjivo za svaki model.)

Ovaj pokazatelj (!) svijetli i u slučaju kvara senzora. Kada ovaj pokazatelj svijetli, na pokazivaču temperature alternativno se prikazuju „E“ i brojke poput „1, 2, 3 ...“. Ove brojke na pokazatelju informiraju servisno osoblje o pogrešci.

2. Funkcija za uštedu energije (displej isključen):

Ako se vrata proizvoda drže zatvorenim duže vrijeme, funkcija za uštedu energije se automatski aktivira i simbol štednje energije svijetli. ()

Kada je funkcija za uštedu energije aktivirana, svi simboli na displeju osim simbola za štednju energije će se isključiti. Kada je funkcija za uštedu energije aktivirana, ako je bilo koja tipka pritisnuta ili ako su vrata otvorena, funkcija uštede energije će biti otkazana i simboli na displeju će se vratiti u normalu.


Funkcija uštede energije je aktivirana tokom isporuke iz fabrike i ne može se poništiti.







*** Opcionalno:** Slike u ovom uputstvu služe kao skice i možda neće savršeno odgovarati vašem proizvodu. Ako vaš proizvod ne sadrži odgovarajuće dijelove, informacije se odnose na druge modele.


Korištenje proizvoda

3. Funkcija brzog frižidera



Ova tipka ima dvije funkcije. Da biste aktivirali ili deaktivirali funkciju brzog hlađenja pritisnite nakratko tipku. Indikator brzog hlađenja će se isključiti i proizvod će se vratiti na svoje normalne postavke. 

	Koristite funkciju brzog hlađenja kad želite brzo ohladiti hranu smještenu u odjeljak frižidera. Ako želite ohladiti velike količine svježih hrane, aktivirajte ovu funkciju prije stavljanje hrane u uređaj.
	Ako vi ne otkazete, brzo hlađenje će se otkazati automatski nakon 1 sat ili kad odjeljak frižidera dosegne potrebnu temperaturu.
	Ako pritisnete tipku za brzo hlađenje nekoliko puta u kratkim intervalima, zaštita elektronskog kruga će biti aktivirana i kompresor se neće odmah pokrenuti.
	Ova funkcija nije opozvana kada dođe struja nakon nestanka.

4. Tipka podešavanja temperature odjeljka frižidera

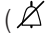
Pritisnite ovu tipku da podesite temperaturu odjeljka frižidera na 8,7,6,5,4,3,2,1,8... redom. Pritisnite ovu tipku da podesite temperaturu odjeljka frižidera na željenu vrijednost. 

5. Funkcija tokom godišnjeg odmora

Da biste aktivirali funkciju za rad uređaja tokom godišnjeg odmora, pritisnite ovu tipku  tokom 3 sekunde, i indikator režima godišnjeg odmora  će biti aktiviran. Kada je funkcija za slučaj odsustva aktivirana, "- -" je prikazano na indikatoru temperature odjeljka frižidera i aktivno hlađenje u odjeljku frižidera se neće vršiti. Nije pogodno za čuvanje hrane u odjeljku frižidera kada je ova funkcija aktivirana. Drugi odjeljci će nastaviti s hlađenjem prema njihovoj podešenoj temperaturi.

Da otkazete ovu funkciju pritisnite ponovo tipku funkcije za rad tokom godišnjeg odmora.

6. Prestanak upozorenja o visokoj temperaturi:


U slučaju upozorenja na nestanak struje/visoku temperaturu, možete izbrisati upozorenje  pritiskom bilo kojeg gumba na pokazatelju ili gumba za isključivanje alarma alarma za visoku temperaturu 1 sekundu nakon što provjerite hranu u odjeljku zamrzivača.

Napomena: Otkazivanje pritiskom bilo kojeg gumba nije primjenjivo za svaki model.

7. Zaključavanje tipki,


Pritisnite tipku za zaključavanje tipki

 istovremeno tokom 3 sekunde. Simbol zaključanih tipki

 će svijetliti i režim zaključanih tipki će biti aktiviran. Tipke neće funkcionisati ako je način rada zaključanih tipki aktivan. Pritisnite ponovo tipku za zaključavanje tipki istovremeno tokom 3 sekunde. Simbol zaključanih tipki će se isključiti i režim zaključanih tipki će biti isključen.

Pritisnite **tipku za zaključavanje** tipki ako želite spriječiti promjene u postavkama temperature frižidera .


8. Eco fuzzy

Pritisnite i držite tipku eco fuzzy tokom 1 sekunde da aktivirate funkciju eco fuzzy. Frižider će početi s radom u najekonomičnijem režimu minimalno 6 sati kasnije i indikator ekonomske upotrebe će se upaliti kada je ova funkcija aktivna . Pritisnite i držite tipku funkcije eco fuzzy tokom 3 sekunde da biste deaktivirali eco fuzzy funkciju.


Ovaj indikator svijetli nakon 6 sati kada je eco fuzzy aktivirano.

Korištenje proizvoda

9. Tipka podešavanja temperature odjeljka zamrzivača

Pritisnite ovu tipku da podesite temperaturu odjeljka zamrzivača na -18, -19, -20, -21, -22, -23, -24, -18... redom. Pritisnite ovu tipku da podesite temperaturu odjeljka zamrzivača na željenu vrijednost. 

10. Funkcijska tipka brzog zamrzavanja / tipka za uključivanje-isključivanje ledomata

Pritisnite ovu tipku da aktivirate ili deaktivirate funkciju brzog zamrzavanja. Kada aktivirate ovu funkciju, odjeljak zamrzivača će biti ohlađen do temperature koja je niža od podešene vrijednosti.  Da biste uključili i isključili ledomat pritisnite i držite tipku tokom 3 sekunde.



Koristite funkciju brzog zamrzavanja kad želite brzo zamrznuti hranu smještenu u odjeljak zamrzivača. Ako želite zamrznuti velike količine svježe hrane, aktivirajte ovu funkciju prije stavljanje hrane u uređaj.




Ako vi ne otkažete, brzo zamrzavanje će se otkazati automatski nakon 24 sata ili kad odjeljak frižidera dosegne potrebnu temperaturu.



Ova funkcija nije opozvana kada dođe struja nakon nestanka.

11. Indikator ekonomične upotrebe

Ukazuje na to da proizvod radi u režimu energetske efikasnosti.  Ovaj indikator će biti aktivan ako je temperatura odjeljka zamrzivača podešena na -18 ili ako se odvija energetski efikasno hlađenje zbog Eco-Extra funkcije.



Indikator ekonomične upotrebe je isključen kada je odabrana funkcija brzog hlađenja ili brzog zamrzavanja.

5.2. Fioka za led

* Opcionalno

- Izvadite fioku za led iz odjeljka zamrzivača.
- Napunite fioku za led vodom.
- Vratite fioku za led u odjeljak zamrzivača.
- Led će biti spreman nakon otprilike dva sata. Izvadite fioku za led iz odjeljka zamrzivača i lagano je nagnite preko držača koji ćete servirati. Led će se jednostavno presipati u držač za serviranje.

5.3. Držač za jaja

Držač za jaja možete po izboru staviti na policu na vratima ili policu u hladnjaku. Ako odlučite da ga stavite na policu u hladnjaku, preporučuje se da ga to odaberete donje police pošto su one hladnije.



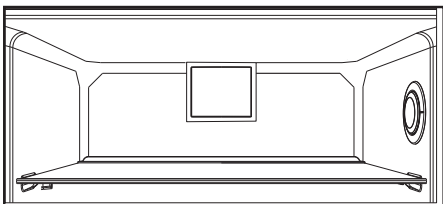
Ne stavljajte držač za jaja u odjeljak zamrzivača.

Korištenje proizvoda

5.4. Ventilator

Ventilator je dizajniran da ravnomjerno cirkulira hladan vazduh u hladnjaku. Vrijeme rada ventilatora može da varira ovisno o funkcijama vašeg proizvoda.

Dok u nekim proizvodima ventilator radi samo sa kompresorom, u drugim kontrolni sistem određuje vrijeme rada na osnovu potrebe za hlađenjem.



5.5. Kutija za povrće

* Opcionalno

Kutija za povrće proizvoda je dizajnirana da povrće održi svježim zadržavajući vlagu. Za tu svrhu, ukupna cirkulacija hladnog zraka je povećana u kutiji za povrće.

5.6. Odjeljak za mliječne proizvode (hladno spremište)

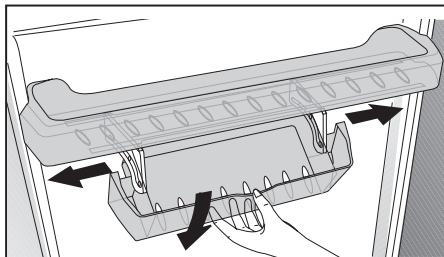
Daje nižu temperaturu nego u odjeljku hladnjaka. Ovaj odjeljak koristite za čuvanje delikatesa (salama, kobasica, mliječnih proizvoda itd.) koje zahtijevaju nižu temperaturu čuvanja ili mesa, piletine ili ribljih proizvoda za neposrednu konzumaciju. Voće i povrće nemojte držati u ovom odjeljku.

5.7. Klizna kutija za odlaganje

* Opcionalno

Ova dodatna oprema je predviđena da poveća korisnu zapreminu polica na vratima.

Zahvaljujući njenoj sposobnosti da se pomjera bočno, ona vam omogućuje da jednostavno stavite dugačku bocu, teglu ili kutije koje stavljate na donji stalak za boce.



5.8. Pokretna polica na vratima

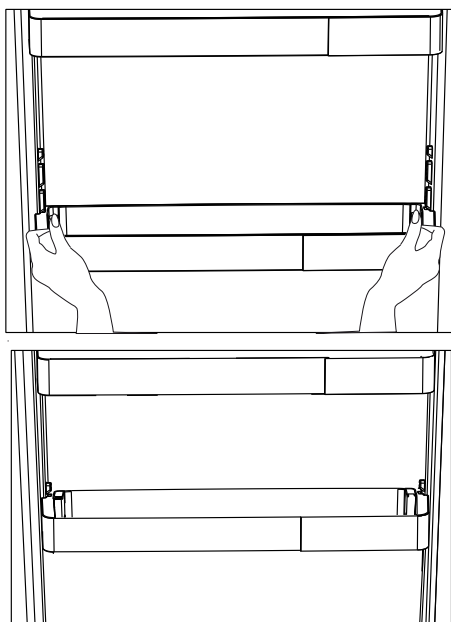
* Opcionalno

Pokretna polica na vratima se može fiksirati u 3 različita položaja.

Za pomjeranje police, istovremeno pritisnite tipke na bočnim stranama. Polica će moći da se pomjera.

Pomjerite policu gore ili dolje.

Kada se polica nalazi u željenom položaju, pustite tipke. Polica će se ponovno fiksirati u položaju u kome oslobodite tipke.



HerbBox/HerbFresh

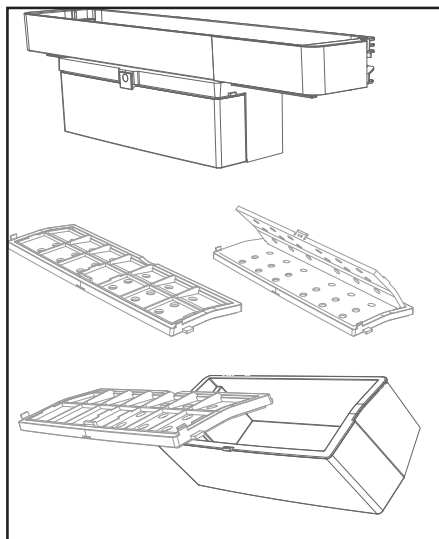
Izvadite posudu za foliju iz HerbBox/HerbFresh+ kutije

Izvadite foliju iz vrećice i stavite je u posudu za foliju kao što je prikazano na slici.

Ponovo zatvorite posudu i vratite je u HerbBox/HerbFresh+ kutiju.

HerbBox-HerbFresh+ odjeljci su naročito pogodni za čuvanje različitog bilja koje bi se trebalo čuvati u delikatnim uvjetima. U ovom odjeljku bilje koje se ne nalazi u vrećici (peršun, mirođija, itd.) možete čuvati u horizontalnom položaju i održavati ga svežim mnogo duži vremenski period.

Slaj se zamijenjuje na šest mjeseci.



Korištenje proizvoda

5.9. Posuda za povrće sa kontrolom vlažnosti

* Opcionalno

S funkcijom kontrole vlažnosti, nivoi vlažnosti voća i povrća se drže pod kontrolom i obezbjeđuje se duži period vlažnosti hrane.

Preporučuje se da se lisnato povrće, kao što je zelena salata, špinat i slično povrće sklono gubitku vlažnosti u posudi za povrće čuva u što horizontalnijem položaju a ne postavljeno na korijen.

Prilikom postavljanja povrća, teško i tvrdo povrće stavite na dno a meko na vrh, uzimajući u obzir specifične težine povrća.

Ne ostavljajte povrće u posudi za povrće u plastičnim vrećicama. Ostavljanje u plastičnim vrećicama dovodi do toga da povrće brzo istruli. U situacijama kada kontakt sa drugim vrstama povrća nije poželjan, koristite materijal za pakiranje kao što je papir koji ima određenu poroznost u pogledu higijene.

Nemojte stavljati voće koje ima visoku proizvodnju etilena, kao što su kruška, kajsija, breskva, a naročito jabuka, u istu posudu za povrće sa drugim povrćem i voćem. Etilen koji izlazi iz ovog voća može da dovede do bržeg sazrijevanja i truljenja drugog voća i povrća.

5.10. Automatska mašina za led

* Opcionalno

Automatska mašina za led vam omogućuje da brže pravite led u hladnjaku. Da bi se dobio led iz mašine za led, izvadite rezervoar za vodu iz odjeljka hladnjaka, napunite vodom i vratite ga nazad.

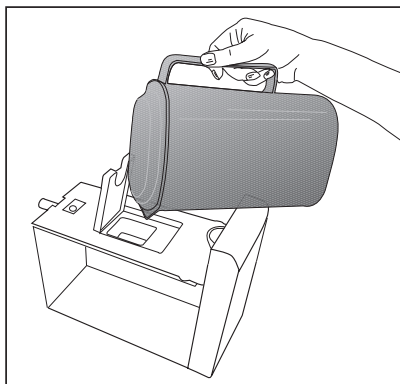
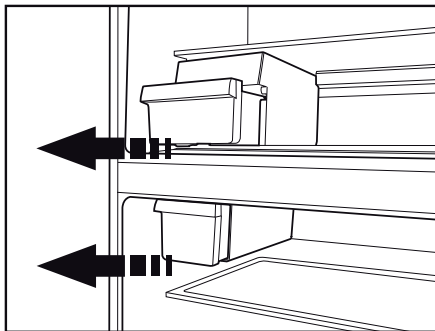
Prvi led će biti spreman za oko 2 sata u fioci mašine za led u odjeljku hladnjaka.

Kada stavite pun rezervoar za vodu, možete dobiti oko 60-70 kocki leda dok se on potpuno ne isprazni.

Ako voda u rezervoaru stoji 2-3 sedmice, ona treba da se promjeni.



Na proizvodima sa automatskom mašinom za led, može se čuti zvuk prilikom sipanja proizvoda. Ovaj zvuk je normalan i ne označava kvar.



Korištenje proizvoda

5.11. Icematic i posuda za čuvanje leda

* Opcionalno

Korištenje odjeljka Icematic

Napunite Icematic vodom i postavite ga na mjesto. Led će biti spreman nakon otprilike dva sata. Za vađenje leda, ne skidajte Icematic sa njegovog mjesta.

Okrenite tipke na rezervoarima za led za 90 stupnjeva u smjeru kretanja kazaljke na satu.

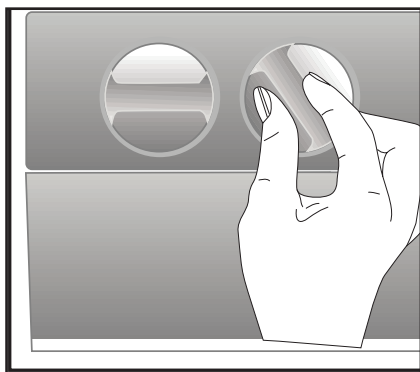
Kocke leda u rezervoarima će pasti u donju posudu za čuvanje leda.

Tada možete izvaditi posudu za čuvanje leda i poslužiti led.

Ako želite, možete čuvati kocke leda u posudi za čuvanje leda.

Posuda za čuvanje leda

Posuda za čuvanje leda je namijenjena samo za sakupljanje kocki leda. Ne stavljajte vodu u nju. U protivnom, ona će se polomiti.



5.12. Korištenje automata za vodu

* Opcionalno



Normalno je da prvih nekoliko čaša vode sipanih iz automata za vodu budu tople.

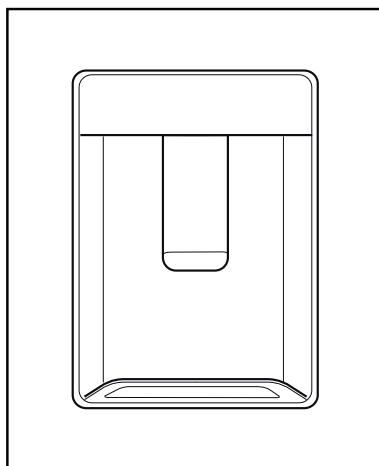


Ako se aparat za vodu ne koristi duže vrijeme, prosipajte prvih nekoliko čaša da biste dobili svježiu vodu.

1. Čašom gurnite ručicu rezervoara za vodu. Ako koristite meku plastičnu čašu, jednostavnije je da ručicu gurnete rukom.
2. Nakon punjenja čaše do željenog nivoa, pustite ručicu.



Imajte na umu da protok vode iz automata ovisi o tome koliko jako pritisnete ručicu. Kako nivo vode u plastičnoj/staklenoj čaši raste, lagano smanjite količinu pritiska na polugu kako biste izbjegli da se ona prepuni. Ako lagano pritisnete ručicu, voda će da kaplje; ovo je sasvim normalno i nije kvar.



Korištenje proizvoda

5.13. Punjenje rezervoara automata vodom

Rezervoar za vodu koji se dopunjuje se nalazi na polici na vratima.

1. Otvorite poklopac rezervoara.
2. Napunite rezervoar svježom vodom za piće.
3. Zatvorite poklopac.



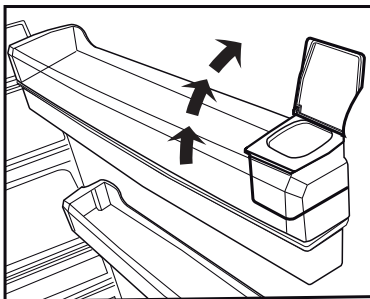
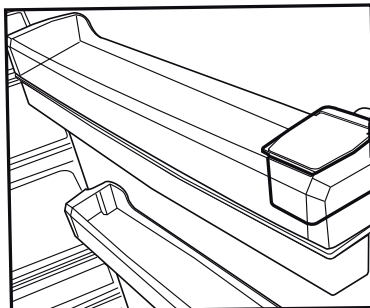
Rezervoar za vodu ne punite drugim tekućinama, kao što su voćni sokovi, gazirana pića ili alkoholna pića koja nisu pogodna za korištenje u aparatu za vodu. Aparat za vodu će biti nepopravljivo oštećen ukoliko se koriste ovakve vrste tekućina. Garancija ne pokriva takve načine korištenja. Neke kemijske supstance i aditivi koji se nalaze u ovim vrstama pića/tekućina mogu da oštete rezervoar za vodu.



Koristite samo čistu vodu za piće.



Kapacitet rezervoara za vodu je 3 litra, nemojte ga prepunjavati.



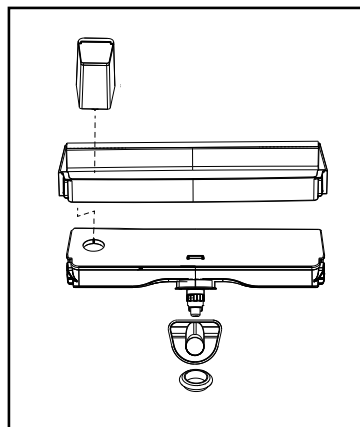
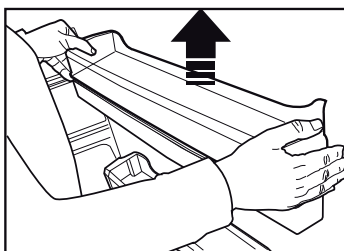
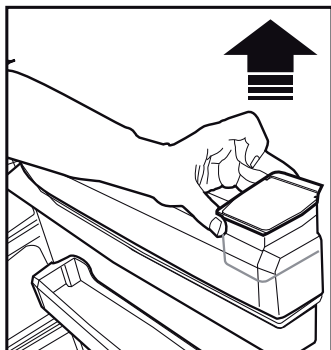
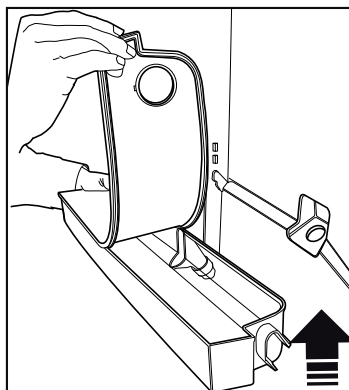
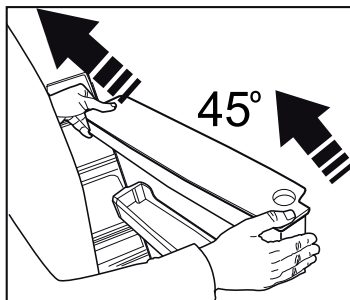
Korištenje proizvoda

5.14. Čišćenje rezervoara za vodu

1. Uklonite rezervoar za punjenje vode sa police na vratima.
2. Skinite policu sa vratima tako što ćete je držati sa obje strane.
3. Uхватite rezervoar za vodu sa obje strane i skinite ga tako što ćete ga okrenuti za 45°C.
4. Skinite poklopac rezervoara za vodu i očistite rezervoar.



Komponente rezervoara za vodu i aparata za vodu ne treba prati u mašini za pranje posuđa.



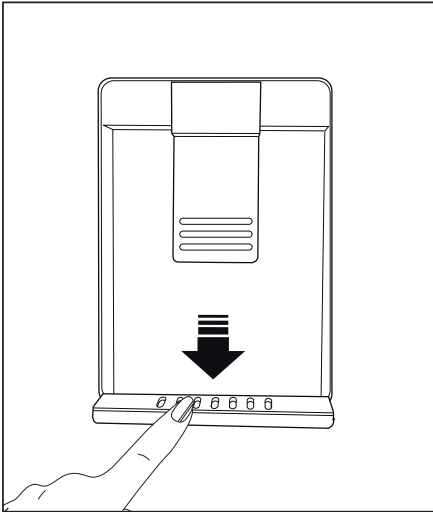
Korištenje proizvoda

5.15. Posuda za kapanje

Voda koja kaplje tokom korištenja aparata za vodu se sakuplja u posudi za sakupljanje vode.

Skinite plastični filter kao što je prikazano na slici.

Sakupljenu vodu pokupite čistom suhom krpom.



Korištenje proizvoda

5.16. Zamrzavanje svježe hrane

- Za očuvanje kvaliteta hrane, hrana stavljena u odjeljak zamrzivača se mora zamrznuti što je brže moguće, za ovo možete koristiti brzo zamrzavanje.
- Zamrzavanje hrane kada je svježija će produžiti vrijeme skladištenja u zamrzivaču.
- Spakujte hranu u hermetički zatvorene pakete i čvrsto je zapečatite.
- Pobrinite se da hrana bude upakovana prije stavljanja u zamrzivač. Koristite posude za zamrzavanje, staniol i vodootporni papir, plastične vreće ili sličnu ambalažu umjesto tradicionalne papirne ambalaže.



Led u odjeljku zamrzivača se automatski topi.

- Označite svaki paket hrane pisanjem datuma na pakovanju prije zamrzavanja. To će vam omogućiti da utvrdite svježinu svakog paketa svaki put kad se zamrzivač otvori. Hranu koju ste ranije stavili prebacite u prednji dio zamrzivača da biste je ranije upotrebili.
- Smrznuta hrana se mora iskoristiti odmah nakon odmrzavanja i ne treba je ponovno zamrzavati.
- Ne zamrzavajte velike količine hrane odjednom.

5.17. Preporuke za skladištenje smrznute hrane

Odjeljak mora biti postavljen na najmanje -18 °C.

1. Stavite hranu u zamrzivač što je brže moguće da bi se izbjeglo otapanje.
2. Prije zamrzavanja, provjerite „Rok trajanja“ na pakovanju kako biste bili sigurni da nije istekao.
3. Pobrinite se da pakovanje hrane nije oštećeno.

Podešavanje temperature odjeljka zamrzivača	Podešavanje temperature odjeljka hladnjaka	Detalji
-18°C	4°C	Ovo je podrazumijevano, preporučeno podešavanje.
-20, -22 ili -24°C	4°C	Ova podešavanja se preporučuju za temperature okoline veće od 30°C.
Brzo zamrzavanje	4°C	Koristite kada želite da zamrznete hranu u kratkom vremenskom periodu. Kada se ovaj proces završi, proizvod će povratiti svoj položaj.
-18 ° C ili hladniji	2°C	Koristite ova podešavanja ako smatrate da odjeljak hladnjaka nije dovoljno hladan zbog temperature okoline ili čestog otvaranja vrata.

Korištenje proizvoda

5.18. Detalji zamrzivača za duboko zamrzavanje

Prema standardima IEC 62552, zamrzivač mora imati sposobnost da zamrzne 4,5 kg prehrambenih artikala na -18 °C ili niže temperature u roku od 24 sata na svakih 100 litara zapremine zamrzivača.

Hrana se može čuvati duži period samo na temperaturi od -18 °C ili nižoj.

Svežina hrane se može održati mjesecima (u zamrzivaču na temperaturi od 18 °C ili nižoj). Hrana za zamrzavanje ne smije dodirivati već smrznutu hranu kako bi se izbjeglo parcijalno odmrzavanje.

Skuhajte povrće i filtrirajte vodu da produžite vremena skladištenja u smrznutom stanju. Stavite hranu u hermetičke pakete nakon filtriranja i stavite je u zamrzivač. Banane, paradajz, zelena salata, celer, kuhana jaja, krumpir i slične prehrambene artikle ne treba zamrzavati. Ako ova hrana istruli, to će negativno uticati samo na nutritivne vrijednosti i kvalitet ishrane. Truljenje neće imati negativan utjecaj na zdravlje ljudi.

5.19. Stavljanje hrane

Police odjeljka zamrzivača	Razne vrste smrznute hrane, uključujući meso, ribu, sladoled, povrće itd
Police odjeljka za hlađenje	Hrana u loncima, pokrivena tanjirima i u zatvorenim kutijama, jaja (u slučaju da su u zatvorenoj kutiji)
Police na vratima odjeljka za hlađenje	Mala i upakovana hrana ili pića
Kutija za povrće	Voće i povrće

Odjeljak za svježu hranu	Delikatesi (hrana za doručak, proizvodi od mesa koji se konzumiraju u kratkom roku)
--------------------------	---

5.20. Upozorenje na otvorena vrata (Opcionalno)

Zvučno upozorenje će se čuti ako vrata proizvoda ostanu otvorena duže od 1 minuta. Zvučno upozorenje će se zaustaviti kada se vrata zatvore ili se pritisne bilo koja tipka na ekranu (ako je dostupno).

Upozorenje na otvorena vrata označit će se i zvučno i vizualno. Unutrašnje osvjetljenje će se isključiti ako upozorenje potraje još 10 minuta.

5.21. Promjena smjera otvaranja vrata

Smjer otvaranja vrata hladnjaka možete promijeniti ovisno o lokaciji na kojoj ga koristite. Kada vam ovo bude potrebno, kontaktirajte najbliži ovlašteni servis.

Objašnjenje iznad je opšta izjava. Treba da provjerite oznaku upozorenja koja se nalazi u ambalaži proizvoda o mogućnosti promjene smjera otvaranja vrata.

5.22. Unutrašnje osvjetljenje

Unutrašnje osvjetljenje koristi lampe LED tipa. Kontaktirajte ovlašteni servis u slučaju problema sa ovom lampom.

Lampica(e) korištena(e) u ovom uređaju ne mogu se koristiti za kućno osvjetljenje. Namjena ove lampice je da pomogne korisniku da sigurno i praktično stavi hranu u hladnjak/zamrzivač.

Korištenje proizvoda

5.23. Plavo svjetlo/HarvestFresh

***Možda nije dostupno kod svih modela**

Za plavo svjetlo,

Voće i povrće pohranjeno u odjeljcima za voće i povrće osvjetljenim plavim svjetlom nastavlja da vrši fotosintezu pomoću efekta valnih duljina plave svjetlosti i na taj način sadržaj vitamina u njima ostaje sačuvan.

Za HarvestFresh,

Voće i povrće pohranjeno u odjeljcima za voće i povrće osvjetljenim tehnologijom HarvestFresh duže će održati vitamine u sebi zahvaljujući plavim, zelenim, crvenim svjetlima i ciklusima mraka, koji simuliraju dnevni ciklus.

Ako otvorite vrata hladnjaka tokom perioda mraka tehnologije HarvestFresh, hladnjak će to automatski registrovati i omogućiti da plavo, zeleno ili crveno svjetlo osvjetle odjeljke za voće i povrće, radi vaše ugodnosti. Nakon što zatvorite vrata hladnjaka, period mraka će se nastaviti, predstavljajući period noći tokom dnevnog ciklusa.

Vijek trajanja proizvoda se povećava ako se on redovito čisti



UPOZORENJE: Prije čišćenja, hladnjak prvo isključite iz struje.

- Za čišćenje nikada nemojte koristiti oštre i abrazivne alate, sapun, sredstva za čišćenje u domaćinstvu, deterdžent i vosak za poliranje.
- Rastvorite jednu kašičicu karbonata u pola litre vode. Krpu natopite rastvorom i temeljito je iscijedite. Ovom krpom obrišite unutrašnjost uređaja i temeljito isperite.
- Vodite računa da voda ne uđe u kućište lampe i druge električne komponente.
- Očistite vrata vlažnom krpom. Za skidanje polica na vratima i u hladnjaku, prvo sklonite sve što se nalazi na njima. Police na vratima skinite tako što ćete ih povući nagore. Nakon čišćenja, gurnite ih odozgo na dolje da biste ih postavili.
- Nikada nemojte koristiti sredstva za čišćenje niti vodu koja sadrži klor za čišćenje spoljnih površina i dijelova proizvoda obloženih hromom. Klor izaziva koroziju na takvim metalnim površinama.
- Ne koristite oštra, abrazivna sredstva, sapun, sredstva za čišćenje u domaćinstvu, kerozin, lož ulje, lak, itd. da biste spriječili skidanje i deformaciju štampe na plastičnim dijelovima. Za čišćenje koristite mlaku vodu i meku krpu, potom osušite brisanjem.

6.1. Izbjegavajte neugodne mirise

Materijali koji mogu da izazovu neugodne mirise nisu korišteni u proizvodnji naših uređaja. Međutim, zbog neodgovarajućih uslova čuvanja hrane i neredovnog čišćenja unutrašnje površine uređaja, može se razviti problem sa neugodnim mirisima. Stoga, hladnjak čistite karbonatom rastvorenim u vodi na svakih 15 dana.

- Hranu čuvajte u zatvorenim posudama. Mikroorganizmi koji se šire iz nezatvorenih posuda mogu da prouzrokuju neugodne mirise.

- Hranu sa isteklim rokom trajanja i pokvarenu hranu nikada ne čuvajte u hladnjaku.

6.2. Zaštita plastičnih površina

Ruke odmah isperite vodom pošto ulje može da izazove oštećenja površine kada se sipa na plastične površine.

6.3. Stakla na vratima

Skinite zaštitnu foliju sa stakala.

Skinite oblogu sa površine stakala. Ova obloga smanjuje nagomilavanje mrlja i pomaže u lakom uklanjanju mogućih mrlja i prljavštine. Stakla koja nisu zaštićena takvom oblogom mogu biti podložna upornom vezivanju zraka ili vode na osnovu organske ili neorganske prljavštine kao što je kamenac, mineralne soli, nesagorijeli ugljovodonici, oksidi metala i silikoni koji mogu lako i brzo izazvati mrlje ili oštećenje materijala. Održavanje stakala čistim postaje suviše teško usprkos redovitom čišćenju. Kao posljedica toga, izgled i providnost stakla se pogoršava. Agresivne i korozivne metode čišćenja i jedinjenja će povećati ova oštećenja i ubrzati proces propadanja.

Sredstva za čišćenje na bazi vode koja nisu alkalna i korozivna se moraju koristiti u svrhe redovitog čišćenja.

Za čišćenje se moraju koristiti materijali koji nisu alkalni i nisu korozivni tako da se produži vijek trajanja ove obloge.

Ovo staklo je ojačano kako bi se povećala njegova izdržljivost na utjecaje i pucanje. Sigurnosna folija se također nanosi na stražnje površine kao dodatna sigurnosna mjera da bi se spriječilo da ona izazovu oštećenja na okolnim predmetima ukoliko puknu.

*Alkali su baze koje formiraju jone hidroksida (OH) kada se rastvaraju u vodi.

Metali Li (litij), Na (natrij), K (kalij) Rb (rubidij), Cs (cezij) i vještački i radioaktivni Fr (francij) nazivaju se ALKALNI METALI.

Provjerite ovu listu prije kontaktiranja servisa. Na taj način ćete uštedjeti vrijeme i novac. Ova lista uključuje česte pritužbe koje se ne odnose na neispravne izradu ili materijale. Određene navedene odlike mogu se ne odnositi na vaš proizvod.

Frižider ne radi.

- Utikač nije u potpunosti utaknut. >>> *Uključite ga u potpunosti u utičnicu.*
- Osigurač povežani na štekler koji napaja proizvod ili glavni osigurač je eksplodirao. >>> *Provjerite osigurače.*

Kondenzacija na bočnom zidu hladnjaka (MULTI ZONA, HLADNO, KONTROLA I FLEXI ZONA).

- Okruženje je previše hladno. >>> *Ne postavljajte proizvod u sredinama s temperaturama ispod -5 °C.*
- Vrata su se otvorila prečesto >>> *Pazite da ne otvorite vrata proizvoda prečesto.*
- Okruženje je previše vlažno. >>> *Ne postavljati proizvod u vlažnim sredinama.*
- Hrana koja sadrži tekućine se čuvaju u otvorenim posuđem. >>> *Držite hranu koja sadrži tekućine zatvorenu.*
- Vrata proizvoda je ostala otvoreno. >>> *Nemojte držati vrata proizvoda otvorene tokom dugih perioda.*
- Termostat je podešen na suviše niske temperature. >>> *Podesite termostat na odgovarajuću temperaturu.*

Kompresor ne radi.

- U slučaju iznenadnog nestanka struje ili povlačenjem utikača i onda vraćanja, pritisak plina u sistemu hlađenja proizvoda nije izbalansiran i to pokreće termičku zaštitu kompresora. Proizvod će se ponovo pokrenuti nakon oko 6 minuta. Ako proizvod se nije ponovo pokrenuo nakon tog perioda, kontaktirajte servis.
- Odmrzavanje je aktivno. >>> *To je normalno za potpuno automatsko odmrzavanje proizvoda. Odmrzavanje se obavlja periodično.*
- Proizvod nije priključen >>> *Pobrinite se da je napajanje priključeno*
- Postavka temperature je pogrešna. >>> *Odaberite odgovarajuću postavku temperature.*
- Nestalo je struje. >>> *Proizvod će nastaviti normalno raditi kada struja opet dođe.*

Radna buka frižidera se povećava dok je u upotrebi.

- Operativni performanse proizvoda može se razlikovati ovisno o varijacije temperature okoline. To je normalno i ne predstavlja kvar.

Frižider radi prečesto ili predugo.

Rješavanje problema

- Novi proizvod može biti veći od prethodnog. Veći proizvodi će duže raditi.
- Sobna temperatura može biti visoka. >>> *Proizvod će normalno raditi za duže periode kod višu temperaturu sobe.*
- Proizvod je možda nedavno uključen ili nove hrane su unutra. >>> *Proizvodu će trebati više vremena da dostigne zadanu temperaturu kada je nedavno uključen ili kada ima novih hrana unutra. To je normalno.*
- Velike količine tople hrane možda su nedavno postavljeni u proizvod. >>> *Ne stavljajte toplu hranu u proizvod.*
- Vrata su se otvorila često ili su bila otvorena dužeg vremena. >>> *Topli zrak koji se kreće unutar će izazvati da proizvod više radi. Ne otvarajte vrata prečesto.*
- Vrata zamrzivača ili hladnjaka mogu biti odškrinuta. >>> *Provjerite da li su vrata potpuno zatvorena.*
- Proizvod možda je postavljen na prenisku temperaturu. >>> *Postavite temperaturu na viši stupanj i čekati da dođe do podešenu temperaturu.*
- Gumica vrata hladnjak ili zamrzivača možda je prljava, istrošen, slomljena ili nije pravilno postavljena. >>> *Očistite ili zamijenite gumicu. Oštećena / pocepana gumica vrata će uzrokovati da proizvod radi duži period za očuvanje trenutne temperature.*

Temperatura zamrzivača je veoma niska, ali je temperatura hladnjaka adekvatna.

- Temperatura odjeljka Zamrzivač je postavljena na vrlo niskim stepenom. >>> *Podesite temperaturu zamrzivača na viši stupanj i provjerite još jednom.*

Temperatura hladnjaka je vrlo niska, ali temperatura zamrzivača je adekvatna.

- Temperatura hladnjaka je postavljena na vrlo nizak stupanj. >>> *Postavite temperatura hladnjaka na viši stupanj i provjerite još jednom.*

Hrana koja je u hladnjaku je zamrznula.

- Temperatura hladnjaka je postavljena na vrlo nizak stupanj. >>> *Podesite temperaturu zamrzivača na viši stupanj i provjerite još jednom.*

Temperatura u hladnjaku ili zamrzivaču je previsoka.

- Temperatura hladnjaka je postavljena na vrlo visoki stupanj. >>> *Postavka temperature hladnjaka utječe na temperaturu zamrzivača. Promijenite temperature hladnjaka ili zamrzivača i sačekajte da relevantne pregrade dostigne podešeni nivo temperature.*
- Vrata su se otvorila često ili su bila otvorena dužeg vremena. >>> *Ne otvarajte vrata prečesto.*
- Vrata mogu biti odškrinuta. >>> *Potpuno zatvorite vrata.*
- Proizvod je možda nedavno uključen ili nove hrane su unutra. >>> *To je normalno. Proizvodu će trebati više vremena da dostigne zadanu temperaturu kada je nedavno uključen ili kada ima novih hrana unutra.*
- Velike količine tople hrane možda su nedavno postavljeni u proizvod. >>> *Ne stavljajte toplu hranu u proizvod.*

Drhtanje ili buke.

- Tlo nije ravno ili izdržljivo. >>> *Ako se proizvod tresu kada se polako pomiče, prilagoditi nogare za uravnoteženje proizvoda. Također pazite da je tlo dovoljno izdržljivo da nosi proizvoda.*
- Svi predmeti na proizvodu mogu izazvati buku. >>> *Uklonite sve predmete koje se nalaze na proizvodu.*

Proizvod daje buku kao kad tekućine teče, prskanje itd.

Rješavanje problema

- Operativni principi proizvoda uključuju tokovi tekućina i plina. >>> *To je normalno i ne predstavlja kvar.*

Ima zvuk vjetra koji puše koji dolazi iz proizvoda.

- Proizvod koristi ventilator za proces hlađenja. To je normalno i ne predstavlja kvar.

Postoji kondenzacije na unutrašnjim zidovima proizvoda.

- Vruće ili vlažno vremenu će povećati zaleđivanje i kondenzacije. To je normalno i ne predstavlja kvar.
- Vrata su se otvorila često ili su bila otvorena dužeg vremena. >>> *Ne otvarajte vrata prečesto, ako su otvorena, zatvorite vrata.*
- Vrata mogu biti odškrinuta. >>> *Potpuno zatvorite vrata.*

Postoji kondenzacije na vanjske površine proizvoda ili između vrata.

- Spoljašni vazduh može biti vlažan, to je sasvim normalno u vlažnom vremenu. >>> *Kondenzacija će nestati kada se smanjuje vlažnost.*

Unutrašnjost smrdi.

- Proizvod se redovno ne čiste. >>> *Redovno čistite unutrašnjost pomoću spužve, toplom vodom i gaziranom vodom.*
- Pojedini držači i materijale za pakovanje mogu izazvati mirise. >>> *Koristite držače i materijale za pakovanje bez mirisa.*
- Hrane su bili smješteni u otvorenim posuđem. >>> *Držite hranu u zatvorenim posuđem. Mikroorganizmi mogu se proširiti od nezapečaćenih prehrambenih artikala i izazvati loši miris.*
- Uklonite iz proizvoda sve hrane kojima je istekao rok ili su pokvarene.

Vrata se ne zatvaraju.

- Paketi hrane može blokiraju vrata. >>> *Relocirajte stvari koji blokiraju vrata.*
- Proizvod ne stoji u potpuno uspravnom položaju. >>> *Podesite nogare za uravnoteženje proizvoda.*
- Tlo nije ravno ili izdržljivo. >>> *Pobrinite se da je tlo ravno i dovoljno izdržljivo da nosi proizvoda.*

Kutija za povrća je zaglavljena.

- Hrana može biti u kontaktu sa gornjem dijelu ladice. >>> *Reorganizovati prehrambenih artikala u ladici.*



UPOZORENJE: Ako problem i dalje postoji nakon što ste slijedeli upute u ovom poglavlju, obratite se prodavcu ili ovlaštenom servisu. Nemojte pokušavati popraviti proizvod.

Poštovani potrošaču,

Mi želimo postići optimalnu efikasnost naših proizvoda, proizvodi koji su proizvedeni u modernim objektima s pedantnom kontrole kvaliteta.

Za to, molimo vas da potpuno pročitate korisnička uputstva pre upotrebe proizvoda i zadržati ih kao izvor referenca. Ako predate proizvod drugoj osobi, predati ova uputstva uz proizvod.

Korisnička uputstva osiguravaju brzu i sigurnu upotrebu proizvoda.



- Molimo pročitate korisnička uputstva pre instaliranja i upotrebe proizvoda.
- Obavezno se pridržavati važećih sigurnosnih uputa.
- Držite korisnička uputstva na dohvata ruke za upotrebu u budućnosti.
- Molimo vas pročitate sve ostale papire koje ste dobili uz proizvod.

Obratite pažnju da se ovaj korisnički vodič može primjenjivati na nekoliko modela proizvoda. Uputstva jasno ukazuju na varijacije različitih modela.

Simboli i primedbe

Sljedeći simboli se koriste u ova korisnička uputstva:

	Važne informacije i korisne savete.
	Opasnost po života i imovine.
	Opasnost od udara struje.
	Ambalaža proizvoda je napravljena od sirovina koje se mogu reciklirati, u skladu sa Zakonodavstvom nacionalne okoline.

 PODACI	
 SUPPLIER'S NAME: A MODEL IDENTIFIER: A (*)	Podaci o modelu sačuvani u bazi podataka o proizvodu mogu se dobiti unosom sledeće internet stranice i pretragom po identifikacionom broju vašeg modela (*) koji se nalazi na oznaci potrošnje električne energije. https://eprel.ec.europa.eu/

1 Uputstva o sigurnosti i okoline	3	5.3. Držač za jaja	14
1.1. Namena	3	5.4. Ventilator	15
Opšta sigurnost	3	5.5. Korpa za povrće	15
1.1.1 HC upozorenja	5	5.6. Posuda (u hladnjaku) frižidera	15
1.1.2 Za modele s česmom	5	5.7. Pokretna polica na vratima	16
1.2. Namjena	5	5.8. Klizna kutija za odlaganje	16
1.3. Sigurnost dece	6	5.9. Posuda za povrće sa kontrolom vlažnosti	17
1.4. Usklađenost s direktivom WEEE i Bacanje otpadnog proizvoda	6	5.10. Automatska mašina za led	17
1.5. Usklađenost sa RoHS direktivom	6	5.11. Icematic i posuda za čuvanje leda	18
1.6. Informacija o ambalaži	6	5.12. Korišćenje automata za vodu	18
2 Vaš frižider	7	5.13. Punjenje rezervoara automata vodom	19
3 Instalacija	8	5.14. Čišćenje rezervoara za vodu	20
3.1. Pravo mesto za instalaciju	8	5.15. Posuda za sakupljanje vode	21
3.2. Postavljanje plastičnih klinova	8	5.16. Zamrzavanje sveže hrane	22
3.3. Podešavanje podnožja	8	5.17. Preporuke za čuvanje smrznute hrane	22
3.4. Priključivanje napajanja	9	5.18. Informacije o zamrzivaču	23
4 Priprema	10	5.19. Stavljanje hrane	23
4.1. Šta možete uraditi da biste uštedeli energiju	10	5.20. Upozorenje na otvorena vrata	23
4.2. Prvo upotreba	11	5.21. Promena smera otvaranja vrata	23
4 Priprema	11	5.22. Unutrašnje osvetljenje	23
5 Korišćenje proizvoda	12	6 Održavanje i čišćenje	24
5.1. Tabla sa indikatorima	12	6.1. Izbegavajte neprijatne mirise	24
5.2. Fioka za led	14	6.2. Zaštita plastičnih površina	24
		6.3. Stakla na vratima	24
		7 Rješavanje problema	25

Ovo deo sadrži sigurnosne upute potrebne da bi uklonili rizik od ozlede i materijalne štete. Nepoštovanje ovih uputa će poništiti sve vrste garancije proizvoda.

1.1. Namena

⚠	<p>UPOZORENJE: Ventilacione otvore na uređaju ili ugrađenoj strukturi održavajte bez prepreka.</p>
⚠	<p>UPOZORENJE: Za ubrzavanje procesa odmrzavanja koristite samo mehaničke uređaje ili druga sredstva koja je preporučio proizvođač.</p>
⚠	<p>UPOZORENJE: Vodite računa da ne oštetite rashladno kolo.</p>
⚠	<p>UPOZORENJE: Ne koristite električne uređaje u odeljcima za skladištenje hrane, osim ako oni ne pripadaju tipu koji je preporučio proizvođač.</p>

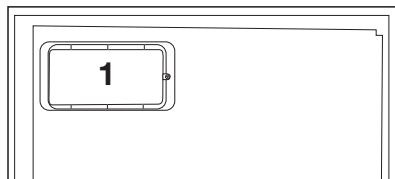
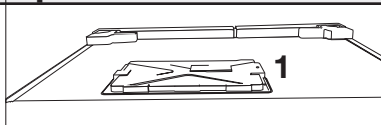
Uređaj je namenjen za korišćenje u domaćinstvu i za slične namene, kao što su

- u kuhinjama rezervisanim za osoblje prodavnice, kancelarije i druga područja poslovanja;
- na seoskim kućama i za goste u hotelima, motelima i drugim okruženjima stambenog tipa.

Opšta sigurnost

- Ovaj proizvod ne trebaju ga koristiti osobe sa fizičkim, senzornim i mentalnim invaliditetom, osobe bez dovoljno znanja i iskustva ili djeca. Proizvod se može koristiti od takvih osoba jedino pod nadzorom i instrukcijama osobe odgovorne za njihovu bezbednost. Ne ostavljati da se deca igraju sa ovim uređajem.
- U slučaju kvara, isključite uređaj.
- Nakon isključivanja, sačekajte najmanje 5 minuta pre nego što ga ponovo uključite. Isključite proizvod kada ga ne upotrebljavate. Ne dirati utikač mokrim rukama! Ne vucite kabla da bi ga isključili, uvek držite utikač.
- Ne uključujete frižider, ako utičnica je labava.
- Isključite proizvod prilikom instalacije, održavanja, čišćenja i popravke.
- Ako nećete proizvod koristiti neko vrijeme, isključite ga i izvadite hranu iznutra.
- Nemojte koristiti paru ili materijala za čišćenje na paru da bi čistili frižidera i za topljenje leda unutra. Para može doći u kontakt sa elektrificiranim područjima i uzrokovati kratkog spoja ili strujnog udara!
- Ne perite proizvod prskanjem ili sipanjem vodu na njega! Opasnost od strujnog udara!
- Nikada nemojte koristiti proizvod ako je otvoren odeljak koji se nalazi na vrhu ili poleđini vašeg proizvoda i koji sadrži elektronske štampane ploče (poklopac elektronskih štampanih ploča) (1).

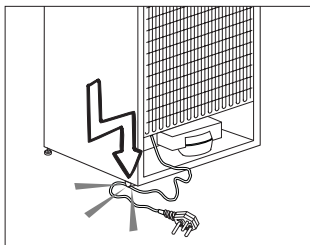
Uputstva o bezbednosti i zaštiti životne sredine



- U slučaju neispravnosti, ne koristite proizvod, jer to može dovesti do strujnog udara. Kontaktirajte ovlašćeni servis pre nego šta uradite bilo šta.
- Priključiti uređaj u utičnicu sa uzemljenjem. Uzemljenje mora biti urađeno sa strane obučenog električara.
- Ako proizvod ima rasvetu tipa LED, kontaktirajte ovlašćeni servis za zamjenu ili u slučaju bilo kakvog problema.
- Ne dirajte smrznute hrane mokrim rukama! Mogu se zalijepiti na vašim rukama!
- U zamrzivaču ne postavljati tečnosti u boce i limenke. Oni mogu izbiti!
- Postavite tečnosti u vertikalnom položaju nakon što snažno zatvorite poklopac.
- Ne prskati zapaljive materije u blizini proizvoda, jer oni se mogu zapaliti ili eksplodirati.
- Ne držite zapaljive materijale i proizvode sa zapaljivim plinom (sprejevi, itd) u frižideru.
- Ne postavljajte sudove sa tečnostima na vrhu proizvoda. Polivanje vode na elektrificiranom

delu može dovesti do strujnog udara i opasnost od požara.

- Ako izložite proizvod na kišu, snijeg, sunca i vjetar, to će izazvati električne opasnosti. Kada selite proizvod, nemojte ga vući za kvaku. Ručka se može izvaditi.
- Vodite računa da se izbjegne hvatanje bilo koji dio vaših ruka ili tela u bilo koji od pokretnih delova unutar proizvoda.
- Nemojte stajati ili naslanjati se na vrata, ladice i slične delove frižidera. To će uraditi da proizvod padne i to će izazvati oštećenje delova.
- Vodite računa da ne zahvatite napajni kabl .
- Prilikom postavljanja uređaja, pazite da kabl za napajanje nije zarobljen ili oštećen.
- Ne postavljajte više portabl utičnica ili prijenosnih napajanja na stražnjoj strani uređaja.



- **Za vaš Side by Side frižider potreban je priključak za vodu. Ako još uvek ne postoji slavina za vodu i treba da pozovete vodoinstalatera, imajte na umu sledeće: Ako u vašoj kući postoji podni sistem za grejanje, imajte na umu da bi bušenje rupa na betonu moglo da prouzrokuje štete na sistemu za grejanje.**

Uputstva o bezbednosti i zaštiti životne sredine

- Deci uzrasta od 3 do 8 godina dozvoljeno je da pune i prazne uređaje za hlađenje.
- Da biste izbegli kontaminaciju hrane, pridržavajte se sledećih uputstava:
 - - Otvaranje vrata na duže vreme može izazvati značajno povećanje temperature u odeljci frižidera.
 - - Redovno čistite površine koje mogu doći u kontakt sa hranom i pristupačnim sistemima za odvodnjavanje.
- Očistite rezervoare za vodu ako nisu korišćeni 48 sati; isperite vodeni sistem povezan sa dovodom vode ako voda nije vučena 5 dana.
- - Sirovo meso i ribu čuvajte u odgovarajućim kontejnerima u frižideru, tako da nije u kontaktu sa ili kapaju na drugu hranu.
- Odeljci sa zamrznutom hranom sa dve zvezdice su pogodni za skladištenje prethodno zamrznute hrane, skladištenje ili pripremanje sladoleda i pravljenje kockica leda.
- - Odeljci sa jednim, dva i tri zvezdice nisu pogodni za zamrzavanje sveže hrane.
- Ako je rashladni uređaj ostavljen prazan duže vrijeme, isključite ga, odmrznite, očistite, osušite i ostavite
- vrata otvorena kako bi se sprečilo stvaranje plijesni unutar uređaja.

1.1.1 HC upozorenja

Ako proizvod ima sistem za hlađenje koji sadrži gasa R600a, obratite pažnju

da se izbegne oštećenje sistema za hlađenje i njegove cevi dok koristite i premeštate proizvod. Taj je gas zapaljiv. Ako je sistem za hlađenje oštećen, držite proizvod podalje od izvora vatre i odmah provetrite sobu.



Nalepnica na unutarnjoj levoj strani pokazuje vrstu gasa koji se koristi u proizvodu.

1.1.2 Za modele s česmom

- Pritisak za dovod hladne vode je maksimalno (90)620 kPa. Ukoliko pritisak vode premašuje 550 kPa, u glavnom vodu upotrebite ventil za ograničavanje pritiska. Ako ne znate kako se proverava pritisak vode, zatražite pomoć vodoinstalatera.
- Ukoliko u vašim instalacijama postoji rizik od efekta vodenog udara, u instalacijama uvek koristite opremu za sprečavanje vodenog udara. Posavetujte se sa vodoinstalaterom ukoliko niste sigurni da li u vašim instalacijama postoji efekat vodenog udara.
- Ne montirati na dovod za toplu vodu. Preduzmite mere opreza protiv rizika od smrzavanja cevi. Raspon temperature vode je od minimalno 0,6°C do maksimalno 38°C.
- Koristite samo vodu za piće.

1.2. Namjena

- Ovaj proizvod je namjenjen za domaću upotrebu. On nije namjenjen za komercijalnu upotrebu.

Uputstva o bezbednosti i zaštiti životne sredine

- Trebate proizvoda koristiti jedino za čuvanje hrane i pića.
- Nemojte držati osetljive proizvode koji traže kontroliranu temperaturama (kao što su vaccine, lekove osetljive na toplotu, sanitetski materijal itd.) u frižideru.
- Proizvođač ne preuzima nikakvu odgovornost za bilo kakvu štetu nastale zbog zloupotrebe ili neispravne upotrebe.
- Originalni rezervni delovi će biti obezbeđeni za 10 godina od dana nabavke proizvoda.

1.3. Sigurnost dece

- Držite ambalažu van dohvata dece.
- Nemojte dopustiti deci da se s proizvodom igraju.
- Ako vrata proizvoda imaju bravu, držite ključ van dohvata dece.

1.4. Usklađenost s direktivom WEEE i Bacanje otpadnog proizvoda

Ovaj proizvod je usklađen s Direktivom EU WEEE (2012/19/EU). Ovaj proizvod nosi simbol klasifikacije za otpad električne i elektronske opreme (WEEE).



Ovaj proizvod je proizveden od visokokvalitetnih dijelova i materijala koji se mogu ponovno koristiti i pogodni su za reciklažu. Na kraju svog radnog života ne

bacajte otpadni proizvod sa normalnim domaćim i ostalim otpadom. Odnosite ga u sabirni centar za recikliranje električne i elektronske opreme. Molimo vas da pitate vaše lokalne vlasti gde su ti sabirni centri.

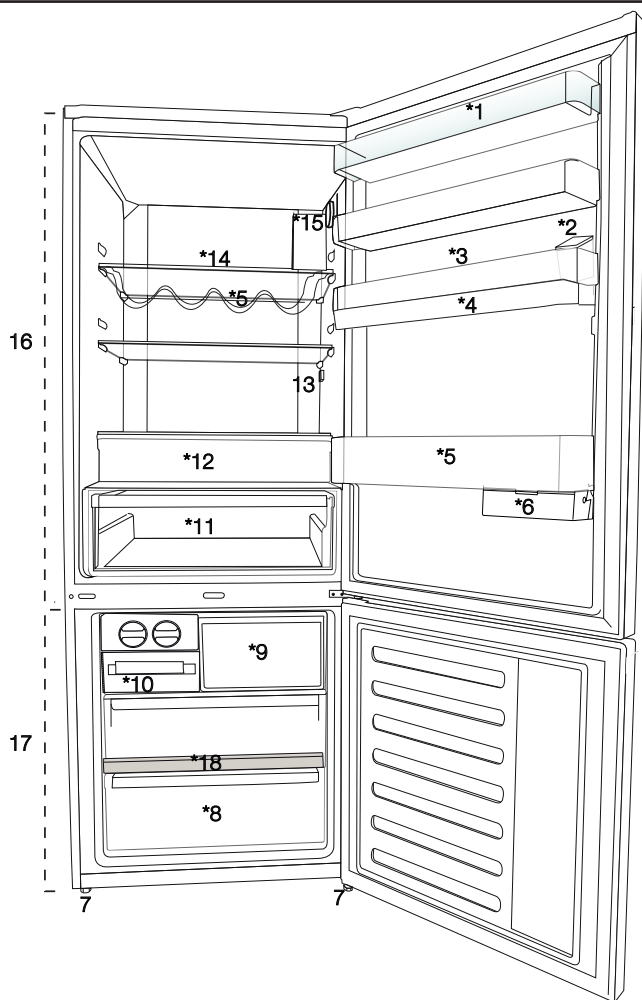
1.5. Usklađenost sa RoHS direktivom

- Ovaj proizvod je usklađen s Direktivom EU WEEE (2011/65/EU). On ne sadrži štetne i zabranjene materijale navedene u Direktivi.

1.6. Informacija o ambalaže

- Materijali za pakiranje proizvoda su proizvedeni od sekundarnih sirovina u skladu s našim nacionalnom propisu za zaštitu okoline. Ne bacajte materijala pakovanja, zajedno s domaćim ili s drugom otpadu. Odnosite ih do sabirne punktove za ambalažu koji su određeni od strane lokalnih vlasti.

2 Vaš frižider



1. Polica na vratima odeljka frižidera
2. Rezervoar za punjenje aparata za vodu
3. Odeljak za jaja
4. Rezervoar aparata za vodu
5. Polica za boce
6. Klizna kutija za odlaganje
7. Podesive nožice
8. Odeljak za duboko zamrzavanje
9. Odeljak za brzo zamrzavanje
10. Posuda za led i fioka za led
11. Korpa za povrće
12. Posuda (u hladnjaku) frižidera
13. Unutrašnje osvetljenje
14. Staklena polica odeljka frižidera
15. Dugme za prilagođavanje temperature
16. Frižider
17. Zamrzivač



***opciono:** Slike date u ovom uputstvu služe samo kao primeri i ne moraju biti potpuno iste kao vaš proizvod. Ako vaš proizvod ne sadrži delove na koje se te slike odnose, informacije se odnose na druge modele.

3.1. Pravo mesto za instalaciju

Obratite se ovlašćenom servisu za instalaciju proizvoda. Da biste proizvod pripremili za instalaciju, pogledajte informacije u uputstvu za upotrebu i proverite da li postoje potrebne električne i vodovodne instalacije. Ako ne postoje, pozovite električara i vodoinstalatera da bi ih postavili po potrebi.



UPOZORENJE: Proizvođač ne preuzima odgovornost za bilo kakvu štetu nastalu usled radova koje su obavile neovlašćene osobe.



UPOZORENJE: Kabl za napajanje proizvoda mora da se isključi iz struje tokom instalacije. Ako to ne učinite, može doći do smrti ili teških povreda!



UPOZORENJE: Ako je raspon kućnih vrata nedovoljan da se proizvod unese kroz njih, uklonite vrata sa proizvoda i okrenite proizvod na stranu, a ako ni taj način ne odgovara, kontaktirajte ovlašćeni servis.

- Proizvod postavite na ravnu površinu da biste izbegli vibracije.
- Proizvod postavite na udaljenosti od najmanje 30 cm od grejalice, šporeta i sličnih izvora toplote i najmanje 5 cm od električnih rerni.
- Proizvod ne izlažite direktnoj sunčevoj svetlosti niti ga držite u vlažnom okruženju..
- Da bi efikasno funkcionisao, proizvod zahteva odgovarajuću cirkulaciju vazduha.
- Ako proizvod treba da se postavi u udubljenje u zidu, zapamtite da treba da ostavite najmanje 5 cm slobodnog prostora između proizvoda i plafona i zidova.
- Proizvod ne instalirajte u okruženjima sa temperaturom manjom od -5°C .

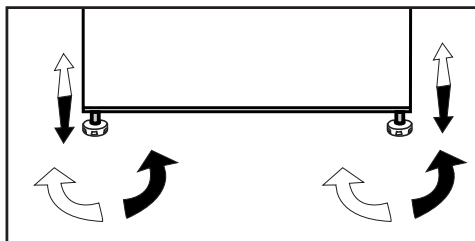
3.2. Postavljanje plastičnih klinova

Koristite priložene plastične klinove uz ovaj proizvod da biste obezbedili dovoljno prostora za cirkulaciju vazduha između uređaja i zida.




1. Da biste priključili klinove, uklonite vijke sa proizvoda i upotrebite vijke priložene uz klinove.
2. Pričvrstite 2 plastična klina za poklopac ventilatora kao što je prikazano na slici.

3.3. Podešavanje podnožja


Ako uređaj nije izbalansiran, postavite prednje pedesive stope okretanjem udesno ili ulevo.



3.4. Priključivanje napajanja

	UPOZORENJE: Ne povežite produžni kabl sa jednom ili više utičnica sa priključkom za napajanje.
	UPOZORENJE: Oštećeni kabl za napajanje mora biti zamenjen od strane ovlašćenog servisa.
	Prilikom postavljanja dva frižidera jedan pored drugog, ostaviti najmanje 4 cm rastojanja između njih.

- Naša kompanija ne preuzima odgovornost za bilo kakvu štetu zbog upotrebe bez uzemljenja i bez priključka u skladu sa nacionalnim propisima.
- Napojni kabl mora biti lako dostupan nakon instalacije.
- Povežite frižider na uzemljenu utičnicu koja ima napon od 220-240V/50 Hz. Utikač mora imati osigurač od 10-16A.
- Ne koristite razvodni utikač, sa ili bez produžnog kabla, između zidne utičnice i frižidera.

	<p>Upozorenje na vruću površinu!</p> <p>Na bočnim zidovima vašeg proizvoda nalaze cevi rashladnog sredstva koje poboljšavaju rashladni sistem. Kroz ove oblasti može da teče rashladno sredstvo na visokim temperaturama, što dovodi do vrućih površina na bočnim zidovima. Ovo je normalno i nije potrebno servisiranje. Vodite računa kada dodirujete ove oblasti.</p>
--	--

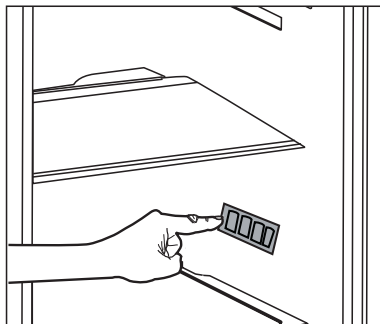
4.1. Šta možete uraditi da biste uštedeli energiju



Povezivanje proizvoda na elektronske sisteme za uštedu energije je štetno, jer to može oštetiti proizvod.

- Za samostojeći uređaj; „Ovaj rashladni uređaj nije predviđen da se koristi kao ugradni uređaj“;.
- Ne ostavljati vrata frižidera otvorena duži vremenski period.
- Ne ostavljajte toplu hranu ili pića u frižider.
- Nemojte prepuniti frižider; blokiranje unutrašnjeg protoka vazduha smanjiće kapacitet hlađenja.
- Da biste skladištili maksimalnu količinu hrane u odeljak za hlađenje vašeg frižidera, treba da izvadite gornje fioke i stavite hranu na staklenu policu. Utvrđena potrošnja električne energije vašeg frižidera je određena kada su izvađeni odeljak za hlađenje, posuda za led i gornje fioke da bi se obezbedio maksimalni prostor za skladištenje. Prilikom skladištenja, preporučuje se korišćenje donje fioke. Funkcija štednje energije treba da se aktivira da bi se obezbedila najbolja potrošnja energije.
- Ne smete da blokirate protok vazduha stavljanjem hrane ispred ventilatora frižidera. Prilikom stavljanja hrane, ispred zaštitne rešetke ventilatora treba da se ostavi prostor od najmanje 3 cm.
- U zavisnosti od karakteristika proizvoda; odmrzavanje zamrznute hrane u odeljku frižidera će obezbediti uštedu energije i očuvati kvalitet hrane.
- Hrana treba da se stavlja na fioke u odeljku frižidera da bi se obezbedila ušteda energije i hrana zaštitila u boljim uslovima.
- Paketi hrane ne treba da dolaze u direktan dodir sa senzorom toplote smeštenim u odeljku frižidera. Ukoliko oni dođu u dodir sa senzorom, potrošnja energije uređaja može da se poveća.

- Pobrinite se da namirnice nisu u kontaktu sa senzorom temperature frižidera koji je opisan u nastavku.
- U slučaju da postoji više opcija, staklene police moraju biti postavljene tako da izlazi za vazduh na zadnjem zidu ne budu blokirani, i po mogućnosti da izlazi za vazduh budu ispod staklene police. Ova kombinacija može doprineti u poboljšanju raspodele vazduha i energetske efikasnosti.
- Posuda (u hladnjaku) frižidera“ obezbeđuje nižu temperaturu u odeljku frižidera. Koristite ovu posudu za čuvanje delikatesnih proizvoda (salame, kobasice, mlečni proizvodi i sl.) kojima je potrebna niža temperatura skladištenja, ili proizvode od mesa, piletine ili ribe koje nameravate ubrzo koristiti. Ne skladištite voće i povrće u ovoj posudi.



4.2. Prvo upotreba

Pre korišćenja frižidera, proverite da li su obavljene sve neophodne pripreme u skladu sa uputstvima u odeljcima „Bezbednosna uputstva i zaštita životne sredine“ i „Instalacija“.

- Ostavite proizvod da radi bez hrane 6 sati i nemojte otvarati vrata, ukoliko to nije apsolutno neophodno.



Kada kompresor počinje da radi čuće se zvuk. Zvuk se normalno čuje čak i kada kompresor ne radi zbog komprimovane tečnosti i gasova u sistem hlađenja.



Prednje ivice proizvoda mogu da se zagreju. To je normalno. Ovi delovi su dizajnirani da bi se zagrevali kako bi se sprečila kondenzacija.

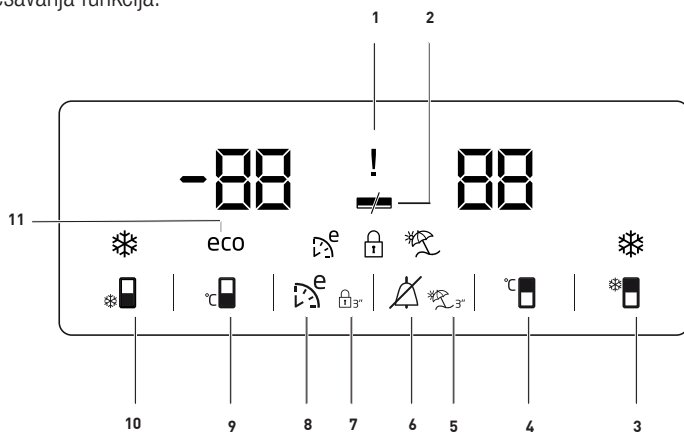


Na nekim modelima, panel sa indikatorima se isključuje automatski 5 minuta nakon što se vrata zatvore. Ona će se ponovo aktivirati kada se otvore vrata ili se pritisne bilo koje dugme.

5 Korišćenje proizvoda

5.1. Tabla sa indikatorima

Ova tabla sa indikatorima omogućava vam da podesite temperaturu i kontrolirate druge funkcije u vezi sa proizvodom bez otvaranja vrata frižidera. Dovoljno je da pritisnete nazive na željenim dugmadima za podešavanja funkcija.



1. Indikator prekida napajanja / visoke temperature / statusa greške

Ovaj indikator (⏏) svetli u slučaju upozorenja o nestanku struje, visokoj temperaturi i greškama. Kada se temperatura zamrzivača podigne do vrednosti kritične za smrznutu hranu, na digitalnom indikatoru trepće maksimalna vrednost koju postigne temperatura zamrzivača. Proverite hranu u odeljku za zamrzavanje. Ovo nije kvar. Upozorenje se može poništiti pritiskom bilo kog dugmeta ili dugmeta za isključivanje alarma za visoku temperaturu. (Otkazivanje pritiskom bilo kog dugmeta nije primenljivo za svaki model.)

Ovaj indikator (⏏) svetli i u slučaju kvara senzora. Kada ovaj indikator svetli, na indikatoru temperature alternativno se prikazuju „E“ i cifre poput „1, 2, 3...“. Ove cifre na indikatoru obaveštavaju servisno osoblje o grešci.

2. Funkcija uštede energije (displej isključen):

Ako se vrata proizvoda drže zatvorena duže vreme, funkcija za uštedu energije se automatski aktivira i simbol za uštedu energije svetli. (🔋)

Ako je aktivna funkcija štednje energije, isključiće se svi simboli na displeju osim simbola za štednju energije. Kada je aktivna funkcija uštede energije, ako nijedno dugme nije pritisnuto ili ako su vrata otvorena, funkcija uštede energije se isključuje, a na displeju se ponovo pojavljuju simboli.

Funkcija za uštedu energije se aktivira tokom isporuke iz fabrike i ne može se otkazati.




3. Funkcija brzog hlađenja:

Ovo dugme ima dve funkcije. Kratko pritisnite taster da biste aktivirali ili deaktivirali funkciju brzog hlađenja. Indikator brzog zamrzavanja će se isključiti i proizvod će se vratiti na normalna podešavanja. (🔋)




* **Opcionalno:** Slike u ovom uputstvu su dati kao šeme i mogu da ne odgovaraju u potpunosti vašem proizvodu. Ako vaš proizvod ne sadrži delove na koje se te slike odnose, informacije se odnose na druge modele.



Upotreba proizvoda

	Koristite funkciju za brzo hlađenje kada želite da brzo ohladite hranu u odeljku frižidera. Ako hoćete da hladite veće količine sveže hrane, aktivirajte ovu funkciju pre nego što stavite hranu u proizvod.
	Ako je ne otkazete, funkcija brzog hlađenja će se sama isključiti posle 1 sata ili kada odeljak frižidera dostigne zahtevanu temperaturu.
	Ako pritisnete dugme za brzo hlađenje više puta uzastopno, aktiviraće se sistem elektronske zaštite i kompresor se neće odmah uključiti.
	Ova funkcija se ne opoziva kada struja ponovo dođe posle nestanka.

4. Dugme za podešavanje temperature u odeljku zamrzivača


Pritisnite ovo dugme da biste podesili temperaturu u odeljku frižidera na 8,7,6, 5,4,3, 2, 1,8... redom. Pritisnite ovo dugme da biste podesili željenu temperaturu u odeljku za frižider. 

5. Funkcija godišnjeg odmora



Da biste aktivirali funkciju za godišnji odmor, pritisnite i držite ovo dugme () 3 sekunde nakon čega će se indikator režima godišnjeg odmora () aktivirati. Kada je funkcija godišnjeg odmora aktivirana, znak „ - - “ je prikazan na indikatoru temperature odeljka frižidera i aktivno hlađenje se ne obavlja u odeljku frižidera. Nije prikladno držati hranu u odeljku frižidera kada je ova funkcija aktivirana. Druge komponente će nastaviti da se hlade prema podešenoj temperaturi.

Da biste opozvali ovu funkciju, pritisnite ponovo dugme za funkciju godišnjeg odmora .

6. Prestanak upozorenja o visokoj temperaturi:


U slučaju upozorenja o nestanku struje/visokoj temperaturi, možete izbrisati upozorenje () pritiskom bilo kog dugmeta na indikatoru ili dugmeta za isključivanje alarma za visoku temperaturu tokom 1 sekunde nakon što proverite hranu u odeljku zamrzivača. Napomena: Otkazivanje pritiskom bilo kog dugmeta nije primenljivo za svaki model.

7. Zaključavanje tastera,

Pritisnite taster za zaključavanje () istovremeno na 3 sekunde. Simbol za zaključavanje tastera () će se uključiti i aktiviraće se režim zaključavanja tastera. Tasteri neće funkcionisati kada je aktivan režim zaključavanja tastera. Pritisnite taster za zaključavanje istovremeno na 3 sekunde ponovo. Simbol za zaključavanje tastera će se isključiti, a režim zaključavanja tastera isključiti.

Pritisnite dugme **za zaključavanje tastera** ako želite da sprečite promenu podešavanja temperature frižidera().

8. Eco fuzzy

Pritisnite i držite dugme Eco Fuzzy 1 sekundu da biste aktivirali funkciju Eco Fuzzy. Frižider će početi da radi u najekonomičnijem režimu najmanje 6 sati kasnije, a indikator ekonomične upotrebe će se uključiti kada je ova funkcija aktivna (). Pritisnite i držite dugme Eco Fuzzy 3 sekunde da biste deaktivirali funkciju Eco Fuzzy.

Ovaj indikator je osvetljen nakon 6 časova kada se funkcija Eco Fuzzy aktivira.




Upotreba proizvoda

9. Dugme za podešavanje odeljka zamrzivača

Pritiskajte ovo dugme da biste podesili temperaturu u odeljku za zamrzavanje na -18, -19, -20, -21, -22, -23, -24, -18... redom. Pritiskajte ovo dugme da biste podesili željenu temperaturu u odeljku za zamrzavanje. (☐)


10. Taster za funkciju brzog zamrzavanja / taster za uključivanje-isključivanje ledomata

Kratko pritisnite taster da biste aktivirali ili deaktivirali funkciju brzog zamrzavanja. Kada aktivirate ovu funkciju, odeljak zamrzivača će se ohladiti na temperaturu ispod podešene vrednosti. (●☐) Da biste uključili i isključili ledomat, pritisnite i držite ga 3 sekunde.

	Koristite funkciju za brzi zamrzavanje kada želite da brzo zamrznete hranu u odeljku frižidera. Ako hoćete da zamrznete veće količine sveže hrane, aktivirajte ovu funkciju pre nego što stavite hranu u proizvod.
	Ako je ne otkazete, funkcija "Brzo zamrzavanje" će se sama isključiti posle 24 sata ili kada odeljak frižidera dostigne zahtevanu temperaturu.
	Ova funkcija se ne opoziva kada struja ponovo dođe posle nestanka.

11. Indikator ekonomične upotrebe

Označava da proizvod radi u režimu uštede energije. (eco) Ovaj indikator će biti aktivan ako je temperatura odeljka zamrzivača podešena na -18 ili je u toku ekonomično hlađenje zbog funkcije Eco Ekstra.

	Indikator ekonomične upotrebe se isključuje kada se izabere funkcija brzog hlađenja ili funkcija brzog zamrzavanja.
---	---

5.2. Fioka za led

* Opcionalno

- Izvadite fioku za led iz odeljka zamrzivača.
- Napunite fioku za led vodom.
- Vratite fioku za led u odeljak zamrzivača.
- Led će biti spreman nakon otprilike dva sata. Izvadite fioku za led iz odeljka zamrzivača i lagano je nagnite preko držača koji ćete servirati. Led će se jednostavno presipati u držač za serviranje.

5.3. Držač za jaja

Držač za jaja možete po izboru da stavite na policu na vratima ili policu u frižideru. Ako odlučite da ga stavite na policu u frižideru, preporučuje se da za to izaberete donje police pošto su one hladnije.



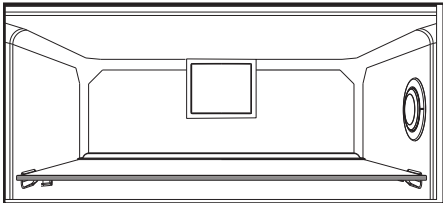
Ne stavljajte držač za jaja u odeljak zamrzivača.

Upotreba proizvoda

5.4. Ventilator

Ventilator je dizajniran da ravnomerno cirkuliše hladan vazduh u frižideru. Vreme rada ventilatora može da varira u zavisnosti od funkcija vašeg proizvoda.

Dok u nekim proizvodima ventilator radi samo sa kompresorom, u drugim kontrolni sistem određuje vreme rada na osnovu potrebe sa hlađenjem.



5.5. Korpa za povrće

* Opcionalno

Korpa za povrće proizvoda je projektovana tako da povrće održava svežim tako što će zadržati vlažnost. Zbog toga će se ukupna cirkulacija hladnog vazduha povećati u korpi za povrće.

5.6. Posuda (u hladnjaku) frižidera

Obezbeđuje nižu temperaturu u odeljku frižidera. Koristite ovu posudu za čuvanje delikatesnih proizvoda (salame, kobasice, mlečni proizvodi i sl.) kojima je potrebna niža temperatura skladištenja, ili proizvode od mesa, piletine ili ribe koje nameravate ubrzo koristiti. Ne skladištite voće i povrće u ovoj posudi.

HerbBox/HerbFresh

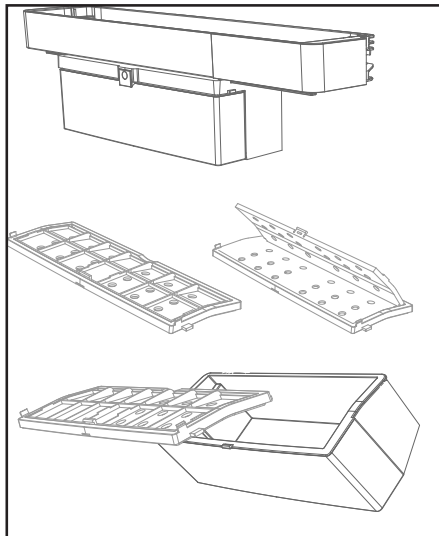
Izvadite posudu za foliju iz HerbBox/HerbFresh+ kutije

Izvadite foliju iz kesice i stavite je u posudu za foliju na način prikazan na slici.

Ponovo zatvorite posudu i vratite je u HerbBox/HerbFresh+ kutiju.

HerbBox-HerbFresh+ odeljci su naročito prikladni za čuvanje različitog bilja treba da se čuva u delikatnim uslovima. U ovom odeljku bilje koje se ne nalazi u kesici (peršun, mirođija, itd.) možete čuvati u horizontalnom položaju i održavati ga svežim mnogo duži vremenski period.

Slaj se zamenjuje na šest meseci.



Upotreba proizvoda

5.7. Pokretna polica na vratima

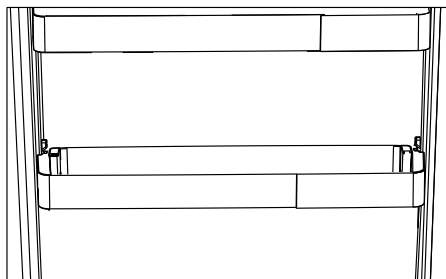
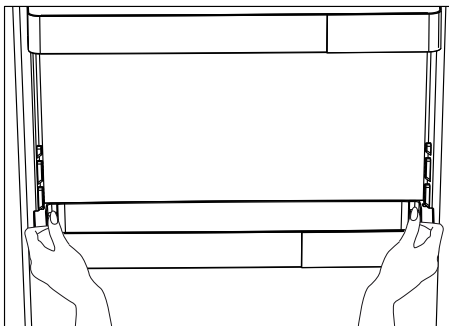
* Opcionalno

Pokretna polica na vratima može da se fiksira u 3 različita položaja.

Da biste pomerili policu, istovremeno pritisnite dugmad na bočnim stranama. Polica će moći da se pomera.

Pomerite policu nagore ili nadole.

Kada se polica nalazi u željenom položaju, pustite dugmad. Polica će se ponovo fiksirati u položaju u kome oslobodite dugmad.

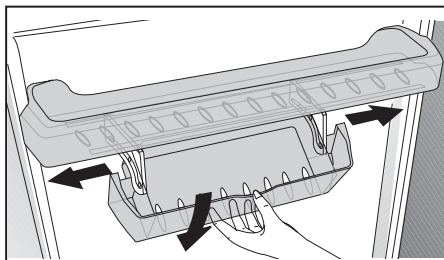


5.8. Klizna kutija za odlaganje

* Opcionalno

Ova dodatna oprema je predviđena da poveća korisnu zapreminu policna na vratima.

Zahvaljujući njenoj sposobnosti da se pomera bočno, ona vam omogućava da jednostavno stavite dugačku bocu, teglu ili kutije koje stavljate na donji stalak za boce.



Upotreba proizvoda

5.9. Posuda za povrće sa kontrolom vlažnosti

* Opcionalno

Sa funkcijom kontrole vlažnosti, nivoi vlažnosti voća i povrća se drže pod kontrolom i obezbeđuje se duži period vlažnosti hrane.

Preporučuje se da se lisnato povrće, kao što je zelena salata, spanać i slično povrće sklono gubitku vlažnosti u posudi za povrće čuva u što horizontalnijem položaju a ne postavljeno na koren.

Prilikom postavljanja povrća, teško i tvrdo povrće stavite na dno a meko na vrh, uzimajući u obzir specifične težine povrća.

Ne ostavljajte povrće u posudi za povrće u plastičnim kesama. Ostavljanje u plastičnim kesama dovodi do toga da povrće brzo istruli. U situacijama kada kontakt sa drugim vrstama povrća nije poželjan, koristite materijal za pakovanje kao što je papri koji ima određenu poroznost u pogledu higijene.

Na stavljanje voća koje ima visoku proizvodnju etilena, kao što su kruška, kajsija, breskva, a naročito jabuka, u istu posudu za povrće sa drugim povrćem i voćem. Etilen koji izlazi iz ovog voća može da dovede do bržeg zrenja i truljenja drugog voća i povrća.

5.10. Automatska mašina za led

* Opcionalno

Automatska mašina za led vam omogućava da brže pravite led u frižideru. Da bi se dobio led iz mašine za led, izvadite rezervoar za vodu iz odeljka frižidera, napunite vodom i vratite ga nazad.

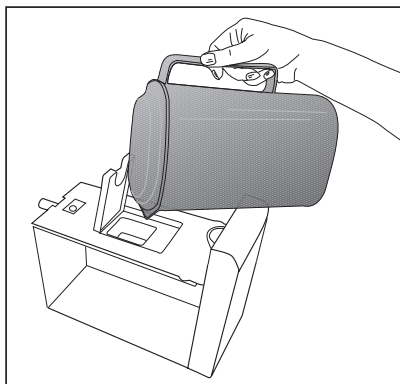
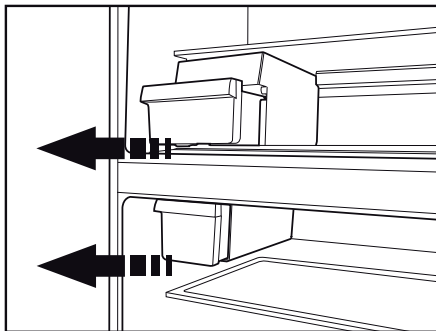
Prvi led će biti sprema za oko 2 sata u fioci mapine za led u odeljku frižidera.

Nakon što stavite pun rezervoar za vodu, možete dobiti oko 60-70 kocki leda dok se on potpuno ne isprazni.

Ako voda u rezervoaru stoji 2-3 nedelje, ona treba da se promeni.



Na proizvodima sa automatskom mašinom za led, može se čuti zvuk prilikom sipanja proizvoda. Ovaj zvuk je normalan i ne označava kvar.



Upotreba proizvoda

5.11. Icematic i posuda za čuvanje leda

* Opcionalno

Korišćenje odeljka Icematic

Napunite Icematic vodom i postavite ga na mesto. Led će biti spreman nakon otprilike dva sata. Za vađenje leda, ne skidajte Icematic sa njegovog mesta.

Okrenite dugmad na rezervoarima za led za 90 stepeni u smeru kretanja kazaljke na satu.

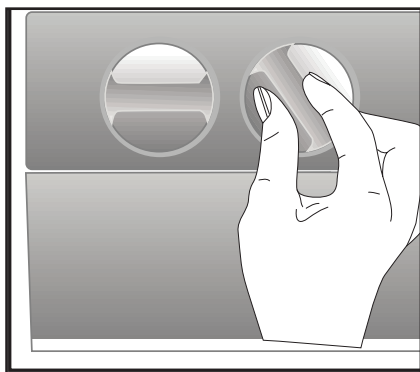
Kocke leda u rezervoarima će pasti u donju posudu za čuvanje leda

Možete izvaditi posudu za čuvanje leda i servirati kocke leda.

Ako želite, možete čuvati kocke leda u posudi za čuvanje leda.

Posuda za čuvanje leda

Posuda za čuvanje leda je namenjena samo za sakupljanje kocki leda. Ne stavljajte vodu u nju. U suprotnom, ona će se polomiti.



5.12. Korišćenje automata za vodu

* Opcionalno



Normalno je da prvih nekoliko čaša vode sipanih iz automata za vodu budu tople.

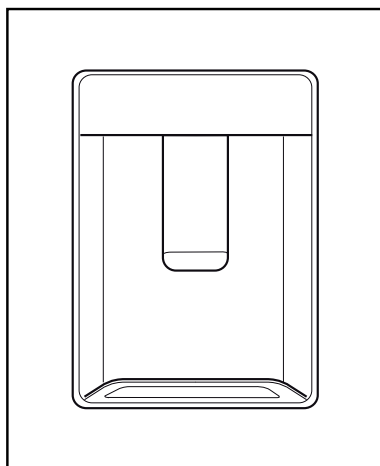


Ako se aparat za vodu ne koristi duži vremenski period, prosipajte prvih nekoliko čaša da biste dobili svežu vodu.

1. Čašom gurnite ručicu rezervoara za vodu. Ako koristite meku plastičnu čašu, jednostavnije je da ručicu gurnete rukom.
2. Nakon punjenja čaše do željenog nivoa, pustite ručicu.



Imajte na umu da protok vode iz automata zavisi od toga koliko jako pritisnete ručicu. Kako nivo vode u plastičnoj/staklenoj čaši raste, lagano smanjite količinu pritiska na polugu da biste izbegli da se ona prepuni. Ako lagano pritisnete ručicu, voda će da kaplje; ovo je sasvim normalno i nije kvar.



Upotreba proizvoda

5.13. Punjenje rezervoara automata vodom

Rezervoar za vodu koji se dopunjuje se nalazi na polici na vratima.

1. Otvorite poklopac rezervoara.
2. Napunite rezervoar svežom vodom za piće.
3. Zatvorite poklopac.



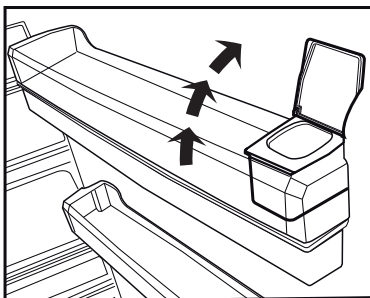
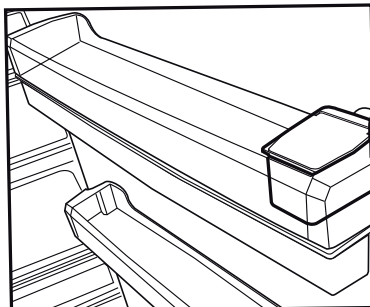
Rezervoar za vodu ne punite drugim tečnostima, kao što su voćni sokovi, gazirana pića ili alkoholna pića koja nisu pogodna za korišćenje u aparatu za vodu. Aparat za vodu će biti nepopravljivo oštećen ukoliko se koriste ovakve vrste tečnosti. Garancija ne pokriva takve načine korišćenja. Neke hemijske supstance i aditivi koji se nalaze u ovim vrstama pića/tečnosti mogu da oštete rezervoar za vodu.



Koristite samo svežu vodu za piće.



Kapacitet rezervoara za vodu je 3 litra, nemojte ga prepunjavati.



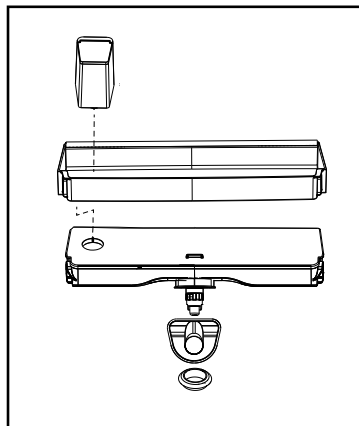
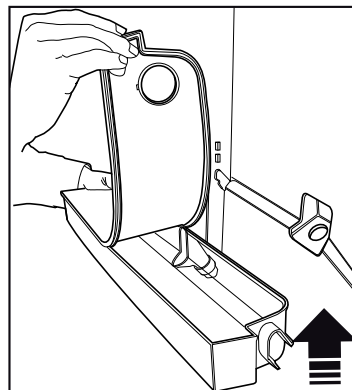
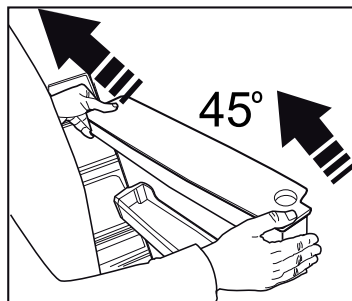
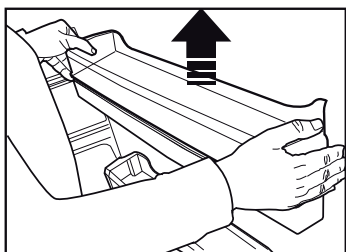
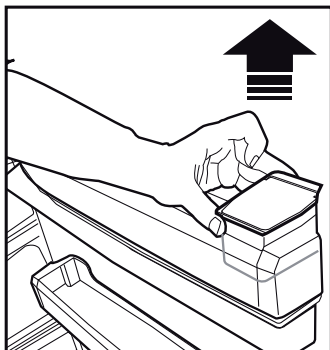
Upotreba proizvoda

5.14. Čišćenje rezervoara za vodu

1. Skinite rezervoar za punjenje vode sa police na vratima.
2. Skinite policu na vratima tako što ćete držati sa obe strane.
3. Uхватite rezervoar za vodu sa obe strane i skinite ga tako što ćete ga okrenuti za 45°C.
4. Skinite poklopac rezervoara za vodu i očistite rezervoar.



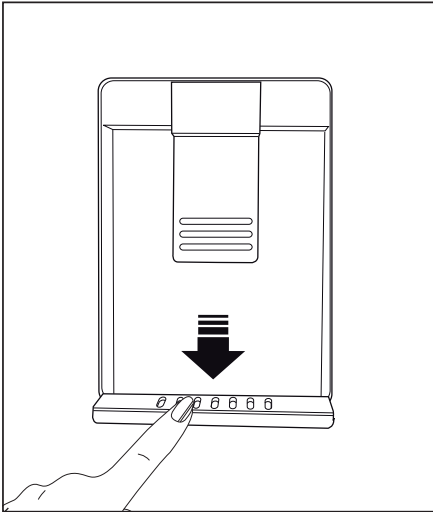
Komponente rezervoara za vodu i aparata za vodu ne treba da se peru u mašini za pranje sudova.



Upotreba proizvoda

5.15. Posuda za sakupljanje vode

Voda koja kaplje tokom korišćenja aparata za vodu se sakuplja u posudi za sakupljanje vode. Skinite plastični filter na način prikazan na slici. Nagomilanu vodu pokupite čistom suvom krpom.



Upotreba proizvoda

5.16. Zamrzavanje sveže hrane

- Da bi se kvalitet hrane u zamrzivaču očuvao, ona se mora zamrznuti što je brže moguće i za ovo možete koristiti brzo zamrzavanje.
- Zamrzavanje hrane kada je sveža će produžiti vreme skladištenja u zamrzivaču.
- Hranu zapakujte u hermetički zatvorene pakete i zalepite.
- Pobrinite se da hrana bude zapakovana pre stavljanja u zamrzivač. Koristite posude za zamrzavanje, staniol i voodootporni papir, plastične kese ili sličnu ambalažu umesto tradicionalne papirne ambalaže.



Led u odeljku zamrzivača se automatski topi.

- Pre zamrzavanja označite svaki paket hrane ispisivanjem datuma na pakovanju. To će vam omogućiti da utvrdite svežinu svakog paketa kadgod otvorite zamrzivač. Hranu koju ste ranije stavili prebacite u prednji deo zamrzivača da biste je ranije upotreбили.
- Smrznuta hrana se mora iskoristiti odmah nakon odmrzavanja i ne treba je ponovno zamrzavati.
- Ne zamrzavati velike količine hrane odjednom.

5.17. Preporuke za čuvanje smrznute hrane

Odeljak mora biti postavljen na najmanje -18 °C.

1. Stavite hranu u zamrzivač što je moguće pre da bi se izbeglo otapanje.
2. Pre zamrzavanja, proverite „Rok trajanja“ na pakovanju da biste proverili da li je istekao.
3. Proverite da li je pakovanje hrane oštećeno.

Podešavanje temperature odeljka zamrzivača	Podešavanje temperature odeljka frižidera	Detalji
-18°C	4°C	Ovo je podrazumevano, preporučeno podešavanje.
-20, -22 ili -24°C	4°C	Ova podešavanja se preporučuju za ambijentalne temperature koje premašuju 30°C.
Brzo zamrzavanje	4°C	Koristite kada želite da zamrznete hranu u kratkom vremenskom periodu. Kada se ovaj proces završi, proizvod će povratiti svoj položaj.
-18 °C ili hladniji	2°C	Koristite ova podešavanja ako smatrate da odeljak frižidera nije dovoljno hladan zbog ambijentalne temperature ili čestog otvaranja vrata.

Upotreba proizvoda

5.18. Informacije o zamrzivaču

Prema standardima IEC 62552, zamrzivač mora imati sposobnost da zamrzne 4,5 kg prehrambenih artikala na -18°C ili niže temperature u roku od 24 sata na svakih 100 litara zapremine zamrzivača.

Hrana se može sačuvati u dužem periodu samo na ili ispod temperature od -18°C .

Svežina hrane se može održati mesecima (u zamrzivaču na ili ispod temperature od 18°C). Hrana koja se zamrzava ne sme da dodiruje već smrznutu hranu da bi se izbeglo parcijalno odmrzavanje.

Povrće treba skuvati i filtrirati vodu da bi se produžilo vreme skladištenja u smrznutom stanju. Nakon filtriranja, hranu zatvorite u hermetičke pakete i odložite u zamrzivač. Banane, paradajz, zelena salata, celer, kuvana jaja, krompir i slične prehrambene artikle ne treba zamrzavati. Ukoliko ova hrana istruli, to će negativno uticati samo na nutritivne vrednosti i kvalitet ishrane. Truljenje neće imati negativan uticaj na zdravlje ljudi.

5.19. Stavljanje hrane

Police odeljka zamrzivača	Razne smrznute hrane, uključujući meso, ribu, sladoled, povrće itd.
Police odeljka frižidera	Hrana u loncima, pokrivena tanjirima i u zatvorenim kutijama, jaja (u slučaju da su u zatvorenoj kutiji)
Police na vratima odeljka za hlađenje	Manja i upakovana hrana ili pića
Korpa za povrće	Voće i povrće
Odjeljak za svežu hranu	Delikatesi (hrana za doručak, proizvodi od mesa koji se konzumiraju u kratkom roku)

5.20. Upozorenje na otvorena vrata (Opcionalno)

Zvučno upozorenje će se čuti ako vrata proizvoda ostanu otvorena duže od 1 minuta. Zvučno upozorenje će se zaustaviti kada su vrata zatvorena ili se pritisne bilo koje dugme na ekranu (ako je dostupno).

Upozorenje na otvorena vrata će se označiti i zvučno i vizuelno. Unutrašnje osvetljenje će se isključiti ako upozorenje potraje još 10 minuta.

5.21. Promena smera otvaranja vrata

Smer otvaranja vrata frižidera možete promeniti u zavisnosti od lokacije na kojoj ga koristite. Kada vam ovo bude potrebno, kontaktirajte najbliži ovlašćeni servis.

Objašnjenje u nastavku je opšta izjava. Treba da proverite oznaku upozorenja koja se nalazi u ambalaži proizvoda o mogućnosti promene smera otvaranja vrata.

5.22. Unutrašnje osvetljenje

Unutrašnje osvetljenje koristi lampice tipa LED. Kontaktirajte ovlašćeni servis u slučaju problema sa ovom lampicom.

Lampica(e) korišćena(e) u ovom uređaju ne mogu da se koriste za kućno osvetljenje.

Namena ove lampice je da pomogne korisniku da bezbedno i praktično stavi hranu u frižider/zamrzivač.

Vek trajanja proizvoda se povećava ako se on redovno čisti



UPOZORENJE: Pre čišćenja, frižider prvo isključite iz struje.

- Za čišćenje nikada ne koristite oštre i abrazivne alate, sapun, sredstva za čišćenje u domaćinstvu, deterdžent i vosak za poliranje.
- Rastvorite jednu kašiku karbonata u pola litra vode. Krpu natopite rastvorom i temeljno je iscedite. Ovom krpom izbrišite unutrašnjost uređaja i temeljno isperite.
- Vodite računa da voda ne uđe u kućište lampe i druge električne komponente.
- Vrata očistite vlažnom krpom. Da biste skinuli police na vratima i u frižideru, prvo sklonite sve što se nalazi na njima. Police na vratima skinite tako što ćete ih povući nagore. Nakon čišćenja, gurnite ih odozgo nadole da biste ih postavili.
- Nikada ne koristite sredstva za čišćenje niti vodu koja sadrži hlor za čišćenje spoljašnjih površina i delova proizvoda obloženih hromom. Hlor izaziva koroziju na takvim metalnim površinama.
- Ne koristite oštra, abrazivna sredstva, sapun, sredstva za čišćenje u domaćinstvu, kerozin, mazut, lak, itd. da biste sprečili skidanje i deformaciju štampe na plastičnim delovima. Za čišćenje koristite mlaku vodu i meku krpu, a zatim osušite brisanjem.

6.1. Izbegavajte neprijatne mirise

Materijali koji mogu da izazovu neprijatne mirise nisu korišćeni u proizvodnji naših uređaja. Međutim, zbog neodgovarajućih uslova čuvanja hrane i neredovnog čišćenja unutrašnje površine uređaja, može se razviti problem sa neprijatnim mirisima.

Stoga, čistite frižider karbonatom rastvorenim u vodi na svakih 15 dana.

- Hranu čuvajte u zatvorenim posudama. Mikroorganizmi koji se šire iz nezatvorenih posuda mogu da prouzrokuju neprijatne mirise.

- Hranu sa isteklim rokom trajanja i pokvarenu hranu nikada ne čuvajte u frižideru.

6.2. Zaštita plastičnih površina

Ruke odmah isperite vodom pošto ulje može da izazove oštećenja površine kada se sipa na plastične površine.

6.3. Stakla na vratima

Skinite zaštitnu foliju sa stakala

Skinite oblogu sa površine stakala. Ova obloga smanjuje nagomilavanje mrlja i pomaže u jednostavnom uklanjanju mogućih mrlja i prljavštine. Stakla koja nisu zaštićena takvom oblogom mogu biti podložna upornom vezivanju vazduha ili vode na osnovu organske ili neorganske prljavštine kao što je kamenac, mineralne soli, nesagoreli ugljovodoni, oksidi metala i silikoni koji mogu jednostavno i brzo da izazovu mrlje ili oštećenje materijala. Održavanje stakala čistim postaje suviše teško uprkos redovnom čišćenju. Kao posledica toga, izgled i providnost stakla se pogoršava. Agresivne i korozivne metode čišćenja i jedinjenja će povećati ova oštećenja i ubrzati proces propadanja.

Sredstva za čišćenje na bazi vode koja nisu alkalna i korozivna moraju da se koriste u svrhe redovnog čišćenja.

Za čišćenje moraju da se koriste materijali koji nisu alkalni i nisu korozivni tako da vek trajanja ove obloge traje duže.

Ovo staklo je ojačano da bi se povećala njegova izdržljivost na uticaje i pucanje. Bezbednosna folija se takođe nanosi na zadnje površine kao dodatna bezbednosna mera da bi se sprečilo da ona izazovu oštećenja na okolnim predmetima ukoliko puknu.

*Alkali su baze koje formiraju jone hidroksida (OH) kada se rastvaraju u vodi.

Metali Li (litijum), Na (natrijum), K (kalijum) Rb (rubidijum), Cs (cezijum) i veštački i radioaktivni Fr (francijum) se nazivaju ALKALNI METALI.

7 Rješavanje problema

Provjerite ovu listu prije kontaktiranja servisa. Na taj način ćete uštedjeti vreme i novac. Ova lista uključuje česte pritužbe koje se ne odnose na neispravne izradu ili materijale. Određene navedene odlike mogu se ne odnositi na vaš proizvod.

Frizider ne radi.

- Utikač nije u potpunosti utaknut. >>> *Uključite ga u potpunosti u utičnicu.*
- Osigurač povezani na šteker koji napaja proizvod ili glavni osigurač je eksplodirao. >>> *Provjerite osigurače.*

Kondenzacija na bočnom zidu hladnjaka (MULTI ZONA, HLADNO, KONTROLA i FLEXI ZONA).

- Okruženje je previše hladno. >>> *Ne postavljajte proizvod u sredinama s temperaturama ispod -5°C .*
- Vrata su se otvorila prečesto >>> *Pazite da ne otvorite vrata proizvoda prečesto.*
- Okruženje je previše vlažno. >>> *Ne postavljati proizvod u vlažnim sredinama.*
- Hrana koja sadrži tekućine se čuvaju u otvorenim posuđem. >>> *Držite hranu koja sadrži tekućine zatvorenu.*
- Vrata proizvoda je ostala otvoreno. >>> *Nemojte držati vrata proizvoda otvorene tokom dugih perioda.*
- Termostat je podešen na suviše niske temperature. >>> *Podesite termostat na odgovarajuću temperaturu.*

Kompresor ne radi.

- U slučaju iznenadnog nestanka struje ili povlačenjem utikača i onda vraćanja, pritisak gasova u sistemu hlađenja proizvoda nije izbalansiran i to pokreće termičku zaštitu kompresora. Proizvod će se ponovo pokrenuti nakon oko 6 minuta. Ako proizvod se nije ponovo pokrenuo nakon tog perioda, kontaktirajte servis.
- Odmrzavanje je aktivno. >>> *To je normalno za potpuno automatsko odmrzavanje proizvoda. Odmrzavanje se obavlja periodično.*
- Proizvod nije priključen >>> *Pobrinite se da je napajanje priključeno*
- Postavka temperature je pogrešna. >>> *Odaberite odgovarajuću postavku temperature.*
- Nestalo je struje. >>> *Proizvod će nastaviti normalno raditi kada struja opet dođe.*

Radna buka frižidera se povećava dok je u upotrebi.

- Operativni performanse proizvoda može se razlikovati ovisno o varijacije temperature okoline. To je normalno i ne predstavlja kvar.

Frizider radi prečesto ili predugo.

Rešavanje problema

- Novi proizvod može biti veći od prethodnog. Veći proizvodi će duže raditi.
- Sobna temperatura može biti visoka. >>> *Proizvod će normalno raditi za duže periode kod višu temperaturu sobe.*
- Proizvod je možda nedavno uključen ili nove hrane su unutra. >>> *Proizvodu će trebati više vremena da dostigne zadanu temperaturu kada je nedavno uključen ili kada ima novih hrana unutra. To je normalno.*
- Velike količine tople hrane možda su nedavno postavljene u proizvod. >>> *Ne stavljajte toplu hranu u proizvod.*
- Vrata su se otvorila često ili su bila otvorena dužeg vremena. >>> *Topli zrak koji se kreće unutar će izazvati da proizvod više radi. Ne otvarajte vrata prečesto.*
- Vrata zamrzivača ili hladnjaka mogu biti odškrinuta. >>> *Provjerite da li su vrata potpuno zatvorena.*
- Proizvod možda je postavljen na prenisku temperaturu. >>> *Postavite temperaturu na viši stupanj i čekati da dođe do podešenu temperaturu.*
- Gumica vrata hladnjak ili zamrzivača možda je prljava, istrošen, slomljena ili nije pravilno postavljena. >>> *Očistite ili zamijenite gumicu. Oštećena / pocepana gumica vrata će uzrokovati da proizvod radi duži period za očuvanje trenutne temperature.*

Temperatura zamrzivača je veoma niska, ali je temperatura hladnjaka adekvatna.

- Temperatura odjeljka Zamrzivač je postavljena na vrlo niskim stepenom. >>> *Podesite temperaturu zamrzivača na viši stupanj i provjerite još jednom.*

Temperatura hladnjaka je vrlo niska, ali temperatura zamrzivača je adekvatna.

- Temperatura hladnjaka je postavljena na vrlo nizak stupanj. >>> *Postavite temperatura hladnjaka na viši stupanj i provjerite još jednom.*

Hrana koja je u hladnjaku je zamrznula.

- Temperatura hladnjaka je postavljena na vrlo nizak stupanj. >>> *Podesite temperaturu zamrzivača na viši stupanj i provjerite još jednom.*

Temperatura u hladnjaku ili zamrzivaču je previsoka.

- Temperatura hladnjaka je postavljena na vrlo visoki stupanj. >>> *Postavka temperature hladnjaka utječe na temperaturu zamrzivača. Promijenite temperature hladnjaka ili zamrzivača i sačekajte da relevantne pregrade dostigne podešeni nivo temperature.*
- Vrata su se otvorila često ili su bila otvorena dužeg vremena. >>> *Ne otvarajte vrata prečesto.*
- Vrata mogu biti odškrinuta. >>> *Potpuno zatvorite vrata.*
- Proizvod je možda nedavno uključen ili nove hrane su unutra. >>> *To je normalno. Proizvodu će trebati više vremena da dostigne zadanu temperaturu kada je nedavno uključen ili kada ima novih hrana unutra.*
- Velike količine tople hrane možda su nedavno postavljene u proizvod. >>> *Ne stavljajte toplu hranu u proizvod.*

Drhtanje ili buke.

- Tlo nije ravno ili izdržljivo. >>> *Ako se proizvod tresе kada se polako pomiče, prilagoditi nogare za uravnoteženje proizvoda. Također pazite da je tlo dovoljno izdržljivo da nosi proizvoda.*
- Svi predmeti na proizvodu mogu izazvati buku. >>> *Uklonite sve predmete koje se nalaze na proizvodu.*

Proizvod daje buku kao kad tečnost teče, prskanje itd.

- Operativni principi proizvoda uključuju tokovi tečnosti i gasova. >>> *To je normalno i ne predstavlja kvar.*

Čuje se zvuk vetra koji dolazi iz proizvoda.

- Proizvod koristi ventilator za proces hlađenja. To je normalno i ne predstavlja kvar.

Postoji kondenzacije na unutrašnjim zidovima proizvoda.

Rešavanje problema

- Vruće ili vlažno vremenu će povećati zaleđivanje i kondenzacije. To je normalno i ne predstavlja kvar.
- Vrata su se otvarala često ili su bila otvorena dužeg vremena. >>> *Ne otvarajte vrata prečesto, ako su otvorena, zatvorite ih.*
- Vrata mogu biti odškrinuta. >>> *Do kraja zatvorite vrata.*



UPOZORENJE: Ako problem i dalje postoji nakon što ste slijedeli upute u ovom poglavlju, obratite se prodavcu ili ovlaštenom servisu. Nemojte pokušavati popraviti proizvod.

Postoji kondenzacije na vanjske površine proizvoda ili između vrata.

- Spoljni vazduh može biti vlažan, to je sasvim normalno u vlažnom vremenu. >>> *Kondenzacija će nestati kada se vlažnost smanjuje.*

Unutrašnjost smrdi.

- Proizvod se redovno ne čiste. >>> *Redovno čistite unutrašnjost pomoću spužve, toplom vodom i gaziranom vodom.*
- Pojedini držači i materijale za pakovanje mogu izazvati mirise. >>> *Koristite držače i materijale za pakovanje bez mirisa.*
- Hrane su bili smješteni u otvorenim posuđem. >>> *Držite hranu u zatvorenim posuđem. Mikroorganizmi mogu se proširiti od nezapečaćenih prehrambenih artikala i izazvati loši miris.*
- Uklonite iz proizvoda sve hrane kojima je istekao rok ili su pokvarene.

Vrata se ne zatvaraju.

- Paketi hrane može blokiraju vrata. >>> *Relocirajte stvari koji blokiraju vrata.*
- Proizvod ne stoji u potpuno uspravnom položaju. >>> *Podesite nogare za uravnoteženje proizvoda.*
- Tlo nije ravno ili izdržljivo. >>> *Pobrinite se da je tlo ravno i dovoljno izdržljivo da nosi proizvoda.*

Korpa za povrća je zaglavljena.

- Hrana može biti u kontaktu sa gornjem delu ladice. >>> *Reorganizovati prehrambenih artikala u ladici.*