



MTM 2073 GWE

MICROWAVE OVEN INSTRUCTION MANUAL

MIKROWELLENHERD BEDIENUNGSANLEITUNG

MIKROVLNNÁ TROUBA NÁVOD K OBSLUZE

MIKROLAINEAHI KASUTUSJUHEHD

HORNO MICROONDAS MANUAL DE INSTRUCCIONES

FOUR A MICRO-ONDES MODE D'EMPLOI

MIKROVALNA PEČNICA UPUTE ZA UPORABU

FORNO A MICROONDE MANUALE DI ISTRUZIONI

MIKROVIĻŅU KRĀSNŠ ROKASGRĀMATA

MIKROBANGŲ KROSNEĻĖ INSTRUKCIJŲ VADOVAS

MIKROHULLĀMŪ SŪTŌ HASZNÁLATI ÚTMUTATÓ

KUCHENKA MIKROFALOWA INSTRUKCJA OBSŁUGI

MIKROVLNNĀ RŪRA NĀVOD NA OBSLUHU

MIKROVALOVNA PEČICA NAVODILA

MIKROTALASNA RERNA UPUTSTVO ZA UPOTREBU

ΦΟΥΡΝΟΣ ΜΙΚΡΟΚΥΜΑΤΩΝ ΕΓΧΕΙΡΙΔΙΟ ΟΔΗΓΙΩΝ

English

Deutsch

Čeština

Eesti keel

Español

Français

Hrvatski

Bosanski

Italiano

Latviešu valoda

Lietuvių kalba

Magyar

Polski

Slovenčina

Slovenščina

Srpski

Crnogorski

Ελληνικά

■ Always read the safety&use instructions carefully before using your appliance for the first time. The user's manual must be always included. ■ Bitte lesen Sie vor der Inbetriebnahme des Produktes diese Anleitung und die darin enthaltenen Sicherheitshinweise aufmerksam durch. Die Bedienungsanleitung muss dem Gerät immer beigelegt sein. ■ Pirms uvešanas ierīci uz darba jālasa rūpīgi šīs lietošanas instrukcijas. ■ Před uvedením výrobku do provozu si důkladně pročtěte tento návod a bezpečnostní pokyny, které jsou v tomto návodu obsaženy. Návod musí být vždy přiložen k přístroji. ■ Enne sädme esmakordset kasutamist lugege ohutus- ja kasutusjuhised alati hoolikalt läbi. Kasutusjuhend peab alati kaasas olema. ■ Siempre lea cuidadosamente las instrucciones de seguridad y de uso antes de utilizar su artefacto por primera vez. Siempre debe estar incluido el manual del usuario. ■ Avant de mettre le produit en service, lisez attentivement le présent mode d'emploi et les consignes de sécurité contenues dans le présent mode d'emploi. Le mode d'emploi doit toujours être fourni avec le produit. ■ Uvijek pročitajte sigurnosne upute i upute za uporabu prije prvog korištenja vašeg uređaja. Upute moraju uvijek biti priložene. ■ Leggere sempre con attenzione le istruzioni di sicurezza ed uso prima di utilizzare l'apparecchio per la prima volta. Il manuale dell'utente deve essere sempre incluso. ■ Pirms ierīces pirmās lietošanas reizes vienmēr rūpīgi izlasiet drošības un lietošanas norādījumus. Rokasgrāmata vienmēr jāpievieno ierīcei. ■ Priješ naudodamies prietaisu pirmą kartą, visuomet atidžiai perskaitykite saugos ir naudojimo instrukcijas. Kartu su gaminiu visada privalo būti jo naudotojo vadovas. ■ A termék használatba vétele előtt figyelmesen olvassa el ezt a használati útmutatót és az útmutatóban található biztonsági rendelkezéseket. A használati útmutatót tartsa a készülék közelében. ■ Przed pierwszym użyciem urządzenia prosimy o uważne zapoznanie się z instrukcjami dotyczącymi bezpieczeństwa i użytkowania. Instrukcja obsługi musi być zawsze dołączona. ■ Před uvedením výrobku do prevádzky si dôkladne prečítajte tento návod a bezpečnostné pokyny, ktoré sú v tomto návode obsiahnuté. Návod musí byť vždy priložený k prístroju. ■ Pred vkladom izdelka temeljito preberite ta navodila in varnostne napotke, ki so navedeni v teh navodilih. Navodila morajo biti vedno priložena k napravi. ■ Uvek pažljivo pročitajte uputstva za sigurnost i upotrebu pre upotrebe uređaja po prvi put. Korisničko uputstvo mora uvek biti priloženo. ■ Πριν χρησιμοποιήσετε τη συσκευή σας για πρώτη φορά, διαβάστε οπωσδήποτε τις οδηγίες ασφαλείας και χρήσης. Το χειρίδιο χρήστη πρέπει να περιλαμβάνεται πάντα στη συσκευασία.

SAFETY INSTRUCTIONS

Read carefully and save for future use!

Warning: The safety measures and instructions, contained in this manual, do not include all conditions and situations possible. The user must understand that common sense, caution and care are factors that cannot be integrated into any product. Therefore, these factors shall be ensured by the user/s using and operating this appliance. We are not liable for damages caused during shipping, by incorrect use, voltage fluctuation or the modification or adjustment of any part of the appliance.

To protect against a risk of fire or electric shock, basic precautions shall be taken while using electrical appliances, including the following:

1. Make sure that the voltage in your outlet matches the voltage indicated on the device label and that the outlet is properly grounded. The outlet must be installed in accordance with applicable electrical codes according to EN.
2. Do not operate the oven if the door is damaged, it does not function correctly or the power cord is damaged.

WARNING: It is dangerous for any person other than trained to perform any repairs or maintenance to remove any cover that provides protection against microwave radiation.

All repairs or adjustments including cord replacements must be carried out by a professional service centre! The cord must be unplugged from the outlet before repairing. By removing the covers with power turned on, you may risk exposing the microwave technician to microwave energy and electrical shock!

3. Protect the appliance from direct contact with water or other liquids to prevent possible electric shock. Do not immerse cord or plug in water!
4. Do not operate the microwave oven outdoors or in a moist environment and do not touch the cord or appliance with wet hands. Risk of electric shock.
5. Pay special attention when using the oven near children.
6. Do not leave the microwave oven running unattended.
7. We recommend not leaving the plugged in oven unattended. Disconnect the cord from the electrical outlet prior to any maintenance. Do not remove

the power cord from the outlet by yanking the cord. Unplug the power cord from the outlet by grasping the plug.

8. Do not use a microwave near a heat source, such as a hot plate. Protect the appliance against direct sunlight.
9. Do not allow the power cord to touch hot surfaces or run the cord over sharp edges.
10. Prevent fires inside the oven by observing the following:
 - a) Do not overheat food.
 - b) Remove any staples before placing the paper or plastic bags in the oven.
 - c) Do not heat the oil or grease in the oven as the oil temperature can not be regulated. Do not fry food in the oven. Hot oil can damage parts of the oven and kitchen utensils and also cause burns.
 - d) After use, wipe the door, door seal and the oven interior with a cloth moistened with a detergent solution and wipe dry. This removes any dirt, grease and any food residue.

WARNING: The oven should not be operated, if the door or door seal is damaged, until repaired by a trained individual. The oven should be properly cleaned and any food residue removed. Failure to keep the oven clean could result in damage to the surface, which could adversely affect the life of the appliance and result in a dangerous situation. The left over grease may overheat and could result in a fire. Do not use abrasive cleaning agents.

Do not clean the appliance with a steam cleaning agent.

- e) If the cooked food inside the oven starts to smoke or ignites, leave the oven door closed, turn off the oven and pull out the plug of the power supply from the outlet to prevent the spread of any fire.
- f) When using disposable plastic, paper or other flammable materials, do not leave the oven unattended to prevent ignition.
11. Limit the risk of explosion or sudden boil by observing the following:

WARNING: Liquids and other foods should not be heated in closed airtight containers, since they could explode. Closed containers also include baby bottles with a screw cap or a teat.

 - a) Use a wide-necked container to heat liquids and allow it to stand for 20 seconds after heating to prevent eruptive boiling.

- b) Eggs in shell, whole hard-boiled egg, water containing grease or oil and sealed glass containers must not be heated in the microwave oven because they can explode even after microwave heating is completed. Potatoes, frankfurters or chestnuts shall be peeled or pricked before inserting them into the oven.
 - c) Microwave heating of beverages can cause delayed boil, which must be taken into account when holding the container.
 - d) The content of infant bottles and baby food must be mixed or shaken prior to serving and its temperature before consumption should be checked to prevent burns.
12. Containers are very hot after being heated. Use potholders to remove them. Beware of facial and hand burns caused by contact with hot steam.
 13. Always lift the furthest edge of the lid or food wrap. Open the popcorn bags and baking bags at a distance from your face.
 14. Protecting the turntable against breaking:
 - a) Let the turntable cool down before cleaning.
 - b) Do not place hot food or containers on a cold turntable.
 - c) Do not place frozen food or cold containers on a hot turntable.
 15. Make sure the containers do not touch the inside walls of the oven during the heating process.
 16. Do not store food or other objects inside the oven. If the lightning strikes the power supply network, the oven may turn on.
 17. Do not use the oven if it does not contain any food or liquids. This may cause damage to the oven. Do not block or obstruct the ventilation openings of the oven.
 18. Use accessories only advised by the manufacturer, otherwise you risk losing the warranty.
 19. Use the microwave oven only in accordance with the instructions in this manual. This microwave oven is intended for domestic use only. The manufacturer is not liable for damages caused by the improper use of this appliance.
 20. The microwave oven is designed for heating food and beverages. Drying food or clothing and heating warming pads, slippers, washing sponges, damp textiles, and the like can lead to the risk of injury, ignition or fire.

21. This appliance is designed for domestic use and for use in similar places, such as:
- kitchenettes in stores, offices and other workplaces;
 - appliances used in agriculture;
 - appliances used by guests in hotels, motels and other residential areas;
 - appliances used in bed and breakfast establishments.
22. This appliance may be used by children over 8 years of age and older and persons with reduced physical or mental abilities or lack of experience and knowledge when supervised or instructed to use the appliance in a safe way and understand the dangers of incorrect use. Children may not play with the appliance. Cleaning and maintenance performed by the user should not be done by children unless they are older than 8 years and under supervision.

Do not expose yourself to excessive microwave energy

1. Do not attempt to operate the microwave oven if the door is open. By doing so, you can become exposed to harmful microwave energy. Do not attempt to break or hold safety locks on the oven door.
2. Do not insert foreign objects between the oven door. Make sure that dirt and cleaners' residue does not remain on the oven door seal and sealing surfaces.
3. Do not use the oven if damaged. It is necessary that the oven door is sealed after closing and that it is not damaged.

Examples of damage caused to the oven door:

- a) DENTING the oven door.
 - b) Loose or broken door HINGES or SAFEGUARDS.
 - c) OVEN DOOR SEAL OR SEALING AREAS ON THE FRAME HEAD.
Adjustments or repairs to the microwave oven should only be performed by a qualified person.
4. As with most baking devices, strict supervision is required to reduce the risk of fire in the oven interior.

If a fire occurs:

1. Do not open oven door.
2. Turn off the oven and unplug it.

3. Turn off the master power switch.

CLEANING

Make sure you unplugged the oven from the outlet by disconnecting the plug from the outlet.

1. Use a damp cloth to clean the inside of the oven.
2. Clean the accessories as usual in soapy water.
3. Dirty door frame, seals and adjacent parts must be carefully cleaned with a damp cloth soaked in a detergent solution and then wiped dry.

The microwave oven must be grounded. The plug should be connected only to a properly grounded outlet.

In case of any doubt about the electrical installation or if the oven malfunctions, contact a qualified electrician or service technician.

1. The microwave oven is equipped with a short cord to reduce the risk of tripping or tangling.
2. Long extension cords must meet the following requirements:
 - a) In terms of permitted electrical loads, the rated values of the extension cable and outlet must match the microwave rating.
 - b) The extension cable must be three-wire and the plug and outlet must be equipped with a grounding pin.
 - c) The cable must be well hidden so that it does not hang unnecessarily over the worktop of the kitchen unit and so that the children can not trip or pull the cable.

UTENSILS AND DISHES

CAUTION

Risk of injury

Only use containers that are suitable for use in microwave ovens. Tightly closed containers can explode when heated. Closed containers must be opened before cooking and plastic packagings punctured, see Materials that can and can not be used for microwave oven cooking. There are some non-metallic materials that can not be safely used when cooking in a microwave oven. If you are not sure if the material can be used safely when cooking in a microwave oven, proceed as follows:

Test the container:

1. Fill the dish intended for microwave cooking with cold water (250 ml).
2. Heat for 1 minute at maximum cooking power.
3. Check the temperature of the tested container carefully. If the tested dish is warm, do not use it when cooking in a microwave oven.
4. Do not cook more than 1 minute.

DANGER for children: Children must not play with the packaging material. Do not let the children play with plastic bags. Risk of suffocation.



Hot surface!

Materials that you can use when cooking in a microwave oven

Containers	Notes
Baking trays	Follow the instructions of the manufacturer. The bottom of the baking container must be at least 5 mm above the turntable. Improper handling can lead to cracking the turntable.
Plates	Only use plates and dishes intended for use in microwaves. Follow the instructions of the manufacturer. Do not use cracked or otherwise damaged bowls.
Glass jars and jugs	Always remove the cover. Only heat the food. Do not cook! Most glass jars and glasses do not withstand high temperatures and may break.
Glass baking dishes	Use only those glass baking dishes resistant to high temperatures. Make sure the bowl does not have a metal border or other metal objects. Do not use cracked or otherwise damaged bowls.
Baking bags	Follow the instructions of the manufacturer. Do not close using metal clips. Leave the bag slightly opened enabling the free release of hot steam.
Paper trays	Suitable only for heating, or short cooking. Do not leave the oven unattended while cooking.
Paper towels	Use to cover the dishes and to remove the dissolved fat. Use only for short-term cooking. Do not leave unattended while cooking.
Parchment paper	Use to cover food, to package food during stewing, and to prevent spraying of the oven.
Plastic material	Only use plates and dishes intended for use in microwaves. Follow the instructions of the manufacturer. The plastic material suitable for use in a microwave oven must have a specific designation: "Suitable for microwave ovens." Some plastics soften due to long-term exposure to high temperatures. "Cooking bags" and baking bags must be cut, pierced, or otherwise ventilated according to the instructions of the food manufacturer.
Plastic packaging foils	Only use plates and dishes intended for use in microwaves. Use to cover food and maintain moisture during cooking. Make sure the plastic foil does not touch the food being prepared.
Thermometers	Only use thermometers suitable for use in microwave ovens. (Thermometers for meat, pastries and cookies).
Wax paper	Use to cover food, to prevent splashing of the oven and to maintain moisture during cooking.

Materials that can not be used when cooking in a microwave oven

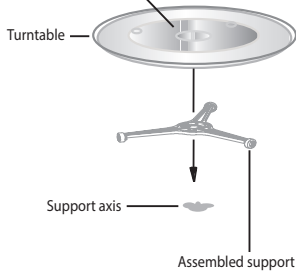
Utensils and dishes	Notes
Aluminium trays and plates	Risk of bending. Move the food in a dish suitable for cooking in microwave ovens.
Food and cardboard boxes with metal handle	Risk of bending. Move the food in a dish suitable for cooking in microwave ovens.
Metal dishes and dishes with metal accessories	Metal prevents the penetration of microwave energy. Metal borders can bend.
Wired closing rings	There is danger of distortion and fire inside the oven.
Paper bags	Risk of catching fire. Risk of fire inside the oven.
Foam material	Due to high temperatures, the plastic foam can dissolve and degrade the food.
Wood	The wood dries and may break during cooking.

Use of materials for microwave grilling and cooking

Material	Microwave cooking	Grilling	Combination
Pyrex glass	Yes	Yes	Yes
Common glass	No	No	No
Ceramics designed for baking	Yes	Yes	Yes
Plastic microwave dishes	Yes	No	No
Baking paper	Yes	No	No
Metal rack	No	Yes	No
Metal plate, tray	No	Yes	No
Aluminium foil	No	Yes	No

INSTALLING THE TURNTABLE

Hub (bottom side)



1. Do not lay the turntable face down. The turntable must always rotate freely.
2. Do not use the oven without the turning ring and the glass tray.
3. All foods and dishes with food must be always placed on the glass tray.
4. If the glass tray breaks or the turning ring is damaged, contact your nearest authorized service center.

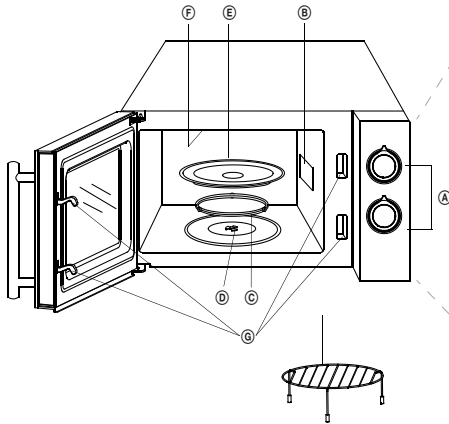
INSTALLING THE MICROWAVE OVEN

Parts and features

Unpack the oven and all accessories.

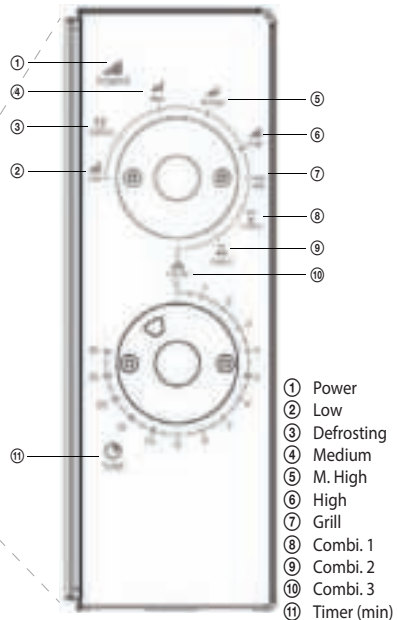
The oven comes with the following accessories:

Glass tray	1
Assembled support	1
Operating manual	1



- (A) Control panel
- (B) Waveguide
- (C) Support
- (D) Support axis
- (E) Turntable

- (F) Grill
- (G) Safety lock system
(Switches off power if the door is opened while cooking.)



- (1) Power
- (2) Low
- (3) Defrosting
- (4) Medium
- (5) M. High
- (6) High
- (7) Grill
- (8) Combi. 1
- (9) Combi. 2
- (10) Combi. 3
- (11) Timer (min)

INSTALLATION

Remove all packaging material and all accessories.

Check if the oven is not damaged (dented or damaged door, etc.). Do not install the microwave oven if damaged.

Kitchen worktop

Oven body: Remove all the protective foil from the surface of the oven.
Do not remove the light brown foil, screwed to the inside of the oven. This foil protects the oven magnetron.

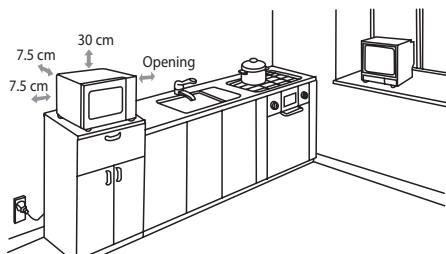
Installation

- Place the oven on a flat surface with a sufficient amount of space around the appliance to ensure the proper function of exhaust vents.

The minimum distance between the oven and the closest wall must be 7.5 cm.

At least one side must be open space.

- Leave at least 30 cm of free space above the oven.
 - Do not remove oven legs.
 - Do not block exhaust vents. The oven might be damaged.
 - Place the oven as far as possible from any radio and television. A microwave oven may cause interference to TV and radio TV signals.
- Connect the oven to a standard electricity network. Make sure that the voltage and frequency listed on the label on the oven match the voltage and frequency frequency in the power network.



ATTENTION: Do not install the oven above the cooking hob, near it or near other heating equipment. Placing the oven near a heating device can result in damage to the oven and voiding of the warranty.
 The microwave oven is designed for use in an open space and must not be placed in the cabinet.

The surface of the microwave oven can become hot during operation.



Control panel and functions

- Set the cooking power by turning the control (Power) to the desired level.
- Depending on the type of food being prepared, set the cooking duration by turning the timer (Time) to the desired interval (max. 30 minutes).
- The microwave start automatically after the cooking power and duration have been set.
- The oven will stop cooking after the duration set has lapsed.
- Leave the timer set to "0" if you are not using the oven.

Note: To select a cooking time of less than two minutes, turn the knob further over 2 minutes and then return it to the desired value.

Microwave heating

For pure microwave heating, five power levels are available that are well suited to the tasks you want. Power increases as the dial is turned to the right. The power levels are described as follows:

Output power	Description
100 %	HIGH
81 %	M.HIGH
58 %	MED
36 %	DEFROST
18 %	LOW

Grilling

Turning the knob clockwise at the highest microwave power level (GRILL position ⑦) will switch to the grill mode, which is especially useful for thin meat slices, steaks, cutlets, kebabs, sausages or chicken pieces. This mode is also suitable for making warm sandwiches and whole grain dishes.

Combined mode

As the name suggests, this cooking mode combines microwave heating and grilling. The mode is available in three power levels that combine different power levels for microwave heating and grilling. The levels are described in the table below. The combination mode is particularly suitable for certain types of food. It also helps to achieve crunchiness.

The following table describes the 3 different settings for the combined mode.

Programme	Microwave heating	Grilling	Suitable for
Combi. 1	30%	70%	Fish, potatoes, whole grain dishes
Combi. 2	49%	51%	Pudding, omelettes, baked potatoes
Combi. 3	67%	33%	Poultry

TROUBLESHOOTING

Common	
The microwave oven interferes with the television reception.	The microwave in operation may interfere with radio and television reception. It is similar to the interference of small electrical appliances like a mixer, a vacuum cleaner and an electric fan.
The light in the oven dims.	The light in the oven cavity can dim when a lower cooking power is set.
Steam appears on the door, hot air comes out of the vents.	Food can emit steam during cooking. Most of the steam is released through the exhaust vents, though some can accumulate in a cooler place, such as the door. This effect is normal.
The oven was started empty by accident.	The oven should not be operated empty. It is very dangerous.

Problem	Possible cause	Correction
The oven will not start.	(1) The cord is not firmly plugged into the outlet.	Unplug the cord from the outlet. After about 10 seconds, plug the cable back into the outlet.
	(2) Blown fuse or switched off circuit breaker.	Replace the fuse or reset the circuit breaker (repaired by a service technician from our company).
	(3) Problem with the outlet.	Try connecting another electrical appliance into the outlet.
The oven does not heat.	(4) Door is not closed correctly.	Close the door properly.
The turntable makes noises when the microwave oven is operating.	(5) The turntable or bottom of oven are dirty.	Clean the oven according to the instructions stated in chapter "Cleaning."

TECHNICAL DATA

Volume:	20 l	Nominal voltage:	230–240 V~ 50 Hz
Cooking power:	700 W	Nominal input power:	1,200 W
Timer:	30 minutes	Operating frequency:	2,450 MHz
Power setting:	5 levels	Noise level:	55 dB
Turntable:	Ø 245 mm	Grill:	900 W
Weight:	11.3 kg		
Dimensions:	452 × 262 × 364 mm		
Interior dimensions:	315 × 198 × 297 mm		

USE AND DISPOSAL OF WASTE

Wrapping paper and corrugated paperboard – deliver to scrapyard. Packing foil, PE bags, plastic elements – throw into plastic recycling containers.

DISPOSAL OF PRODUCTS AT THE END OF LIFETIME

Disposal of electric and electronic equipment (valid in EU member countries and other European countries with an implemented recycling system)

The represented symbol on the product or package means the product shall not be treated as domestic waste. Hand over the product to the specified location for recycling electric and electronic equipment. Prevent negative impacts on human health and the environment by properly recycling your product. Recycling contributes to preserving natural resources. For more information on the recycling of this product, refer to your local authority, domestic waste processing organization or store, where you purchased the product.

This product complies with EU directives on electromagnetic compatibility and electrical safety.

The instruction manual is available at the website www.ecg-electro.eu.
Changes of text and technical parameters reserved.



08/05



SICHERHEITSHINWEISE

Bitte aufmerksam lesen und gut aufbewahren!

Warnung: Die in dieser Anleitung angeführten Sicherheitsvorkehrungen und Hinweise umfassen nicht alle Umstände und Situationen, zu denen es kommen könnte. Der Anwender muss begreifen, dass der gesunde Menschenverstand, Vorsicht und Sorgfalt zu Faktoren gehören, die sich in kein Produkt einbauen lassen. Diese Faktoren müssen durch den Anwender bzw. mehrere Anwender bei der Verwendung und Bedienung dieses Gerätes gewährleistet werden. Wir haften nicht für Schäden, die durch Transport, eine unsachgemäße Verwendung, Spannungsschwankungen sowie eine Änderung oder Modifikation des Gerätes entstehen.

Um Bränden oder Stromunfällen vorzubeugen, müssen bei der Verwendung von elektrischen Geräten u.a. folgende Vorsichtsmaßnahmen eingehalten werden:

1. Vergewissern Sie sich, dass die Spannung in Ihrer Steckdose mit der Spannung auf dem Geräteschild übereinstimmt und die Steckdose ordnungsgemäß geerdet wurde. Die Steckdose muss gemäß geltender elektrotechnischer Norm (EN) installiert werden.
2. Verwenden Sie niemals den Mikrowellenherd, falls dieser nicht richtig funktioniert und Tür oder Stromkabel beschädigt wurden.

WARNUNG: Nicht geschulte Personen sollten weder Reparaturen noch Wartungsarbeiten vornehmen, bei denen eine Abdeckung entfernt werden sollte, die Schutz vor der gefährlichen Mikrowellenenergie bietet.

Lassen Sie sämtliche Reparaturen, Einstellungen und das Auswechseln des Stromkabels durch einen autorisierten Kundendienst vornehmen! Falls Sie eine Reparatur vornehmen möchten, ziehen Sie zunächst den Netzstecker heraus. Sollten Sie die Abdeckungen entfernen während das Gerät an das Stromnetz angeschlossen ist, könnte der Servicetechniker einer gefährlichen Mikrowellenstrahlung oder einer Gefahr durch Stromschlag ausgesetzt werden!

3. Schützen Sie das Gerät vor direktem Kontakt mit Wasser und sonstigen Flüssigkeiten, um Stromunfällen vorzubeugen. Stromkabel oder Stecker niemals ins Wasser tauchen!
4. Verwenden Sie den Mikrowellenherd nicht im Freien oder in einer feuchten Umgebung. Stromkabel oder Gerät nicht mit nassen Händen berühren. Es könnte zu einem Stromunfall kommen.
5. Seien Sie aufmerksam, falls Sie den Mikrowellenherd in der Nähe von Kindern verwenden.
6. Der Mikrowellenherd sollte während des Betriebs nicht unbeaufsichtigt gelassen werden.
7. Der Mikrowellenherd sollte nicht unbeaufsichtigt gelassen werden, falls dieser an das Stromnetz angeschlossen ist. Vor der Wartung Stromkabel aus der Steckdose ziehen. Ziehen Sie nicht am Kabel, um den Stecker aus der Steckdose zu ziehen. Ziehen Sie am Stecker, um das Kabel aus der Steckdose zu ziehen.
8. Mikrowellenherd nicht in der Nähe von Wärmequellen (z.B. Herdplatte) verwenden. Gerät vor direkter Sonnenstrahlung schützen.
9. Das Stromkabel darf nicht mit heißen Teilen in Berührung kommen oder über scharfe Kanten führen.
10. Beugen Sie möglichen Brandursachen vor, indem Sie folgendes beachten:
 - a) Überhitzen Sie nicht die Speisen.
 - b) Ehe Sie in den Mikrowellenherd Papier- oder Kunststoffbeutel geben, entfernen Sie sämtliche Metallclips.
 - c) Erwärmen Sie im Mikrowellenherd kein Öl oder Fett zum Braten, da die Öltemperatur nicht reguliert werden kann. Braten Sie keine Lebensmittel im Mikrowellenherd. Heißes Öl könnte den Mikrowellenherd und das Küchengeschirr beschädigen oder zu Verbrennungen führen.
 - d) Nach der Verwendung Tür, Türdichtung und Innenraum des Mikrowellenherds mit einem Tuch mit Seifenlösung abwischen und anschließend trocken wischen. Somit entfernen Sie Schmutz, Fett und mögliche Speisereste.

WARNUNG: Wurden Tür oder Türdichtung beschädigt, darf der Mikrowellenherd erst dann betrieben werden, nachdem der Schaden durch eine geschulte Person beseitigt wurde. Der Mikrowellenherd

sollte ordnungsgemäß gereinigt werden. Eventuelle Speisereste sollten entfernt werden. Falls der Mikrowellenherd nicht sauber gehalten wird, könnte hierdurch die Oberfläche beschädigt werden, was wiederum die Lebensdauer des Gerätes beeinträchtigen und zu gefährlichen Situationen führen könnte. Aufgeschichtetes Fett könnte sich überhitzen und zu einem Brand führen.

Verwenden Sie bei der Reinigung keine Scheuermittel.

Das Gerät darf nicht mit einem Dampfreiniger gereinigt werden.

- e) Sollte die zubereitete Speise im Mikrowellenherd zu qualmen anfangen oder sich entzünden, lassen Sie die Tür geschlossen, schalten den Mikrowellenherd aus und ziehen den Stecker aus der Steckdose, damit sich ein eventuelles Feuer nicht verbreiten kann.
 - f) Falls Sie Einweggeschirr aus Kunststoff oder Papier ggf. aus einem anderen brennbaren Material benutzen, darf der Mikrowellenherd aufgrund einer möglichen Entzündung nicht unbeaufsichtigt gelassen werden.
11. Das Risiko einer Explosion oder einer plötzlichen Kochreaktion könnte folgendermaßen reduziert werden:

WARNUNG: Flüssigkeiten und andere Speisen dürfen nicht in luftdichten geschlossenen Gefäßen erwärmt werden, da diese explodieren könnten. Als dicht verschlossenes Geschirr werden sowohl Babyflaschen mit Schraubverschluss oder Schnuller betrachtet.

- a) Verwenden Sie bei der Erwärmung von Flüssigkeiten Geschirr mit einem breiten Hals, das Sie anschließend 20 Sekunden abstehen lassen, um eine eruptive Kochreaktion zu vermeiden.
- b) Eier samt Schale, ganze hartgekochte Eier, Wasser mit Fett oder Öl sowie verschlossenes Glasgeschirr dürfen nicht im Mikrowellenherd erhitzt werden, da diese explodieren könnten (sogar nach der Erwärmung in der Mikrowelle). Kartoffeln, Würstchen oder Kastanien müssen vor dem Einlegen in den Mikrowellenherd geschält oder durchgestochen werden.
- c) Getränke, die in der Mikrowelle erwärmt werden, können später zu kochen anfangen, womit Sie rechnen sollten, wenn Sie das Gefäß in die Hand nehmen.

d) Der Inhalt von Babyflaschen und Kindernahrung sollte vor dem Servieren durchmischt oder durchgeschüttelt werden. Darüber hinaus sollte die Temperatur vor dem Verzehr überprüft werden, um Verbrennungen zu vermeiden.

12. Nach dem Kochvorgang ist das Geschirr sehr heiß. Benutzen Sie Ofenhandschuhe. Vermeiden Sie Verbrennungen an Gesicht und Händen, die durch Kontakt mit heißem Dampf entstehen könnten.
13. Stets langsam den entferntesten Rand des Deckels oder der Lebensmittelfolie anheben. Popcorn- und Backbeutel in ausreichender Entfernung vom Gesicht öffnen.
14. Damit der Drehteller nicht zerbricht:
 - a) Drehteller vor dem Reinigen abkühlen lassen.
 - b) Heiße Gerichte oder Geschirr niemals auf den kalten Drehteller stellen.
 - c) Eingefrorene Lebensmittel oder kaltes Geschirr niemals auf den heißen Drehteller stellen.
15. Vergewissern Sie sich, dass das Geschirr beim Kochen nicht die Innenwände des Mikrowellenherds berührt.
16. Lagern Sie bitte weder Lebensmittel noch sonstige Gegenstände im Mikrowellenherd. Nach einem Blitzschlag könnte sich der Mikrowellenherd von alleine einschalten.
17. Schalten Sie den Mikrowellenherd nicht ein, falls sich im Inneren keine Flüssigkeiten oder Lebensmittel befinden. Sie könnten dadurch den Mikrowellenherd beschädigen. Blockieren oder verstopfen Sie nicht die Lüftungsöffnungen des Mikrowellenherds.
18. Verwenden Sie kein Zubehör, das nicht vom Hersteller empfohlen wurde. Dies könnte zur Nichtanerkennung der Garantie führen.
19. Verwenden Sie den Mikrowellenherd nur gemäß den in dieser Anleitung aufgeführten Hinweise. Dieser Mikrowellenherd ist ausschließlich für den Haushaltsgebrauch bestimmt. Der Hersteller haftet nicht für Schäden, die durch eine unsachgemäße Verwendung dieses Gerätes entstanden sind.
20. Der Mikrowellenherd dient zum Erwärmen von Lebensmitteln und Getränken. Das Trocknen von Lebensmitteln oder Kleidungsstücken sowie das Erwärmen von Heizdecken, Hausschuhen, Badeschwämmen, feuchten

Textilien und sonstigen Gegenständen könnten zu einer Verletzung, Entzündung oder einem Brand führen.

21. Dieses Gerät ist für den Gebrauch im Haushalt und in vergleichbaren Räumen bestimmt:
- Küchenzeilen in Geschäften, Büroräumen und an sonstigen Arbeitsstellen
 - Geräte, die in der Landwirtschaft benutzt werden
 - Geräte, die in Hotels, Motels und sonstigen Beherbergungseinrichtungen benutzt werden
 - Geräte, die in Betrieben benutzt werden, die Übernachtung mit Frühstück anbieten.
22. Kinder ab 8 Jahren und Personen mit verminderten physischen und mentalen Fähigkeiten sowie mangelnden Erfahrungen und Kenntnissen können dieses Gerät nur unter Aufsicht benutzen oder nachdem diese über einen gefahrlosen Gebrauch unterwiesen wurden und möglichen Gefahren infolge einer unsachgemäßen Verwendung verstehen. Kinder dürfen nicht mit dem Gerät spielen. Die seitens des Anwenders vorgenommenen Reinigungs- und Wartungsarbeiten dürfen ausschließlich Kinder ab 8 Jahren durchführen, die überdies beaufsichtigt werden.

Setzen Sie sich nicht unnötig einer übermäßigen Mikrowellenstrahlung aus

1. Mikrowellenherd niemals mit offener Tür einschalten. Sie könnten sich einer schädlichen Mikrowellenstrahlung aussetzen. Die Sicherheitsschlösser der Mikrowellentür sollten weder beschädigt noch zugehalten werden.
2. Legen Sie keine Gegenstände zwischen die Mikrowellentür. Geben Sie Acht, damit sich an der Türdichtung und den Dichtungsflächen kein Schmutz oder Überreste von Reinigungsmitteln ablagern.
3. Benutzen Sie den Mikrowellenherd nicht, falls dieser beschädigt ist. Die Mikrowellentür muss nach dem Schließen gut aufliegen, damit diese nicht beschädigt wird.

Beispiele einer gefährlichen Türbeschädigung:

- a) EINGEDRÜCKTE Mikrowellentür.
- b) Lockere oder abgebrochene TÜRBÄNDER oder TÜRSICHERUNGEN.
- c) TÜRDICHTUNG ODER DICHTUNGSFLÄCHEN AN DER RAHMENSTIRN DES MIKROWELLENHERDS.

Änderungen und Reparaturen dürfen am Mikrowellenherd ausschließlich qualifizierte Personen durchführen.

4. Ähnlich wie bei den meisten Vorrichtungen, die zum Braten dienen, ist auch hier größere Aufsicht gefragt, um das Risiko einer Brandentstehung im Mikrowellenbereich zu reduzieren.

Falls es zu einem Brand kommt:

1. Öffnen Sie nicht die Mikrowellentür.
2. Schalten Sie den Mikrowellenherd aus und ziehen den Stecker aus der Steckdose.
3. Schalten Sie den Hauptverteilungsschalter aus.

REINIGUNG

Vergewissern Sie sich, dass der Mikrowellenherd vom Stromnetz getrennt wurde, indem der Stecker aus der Steckdose gezogen wurde.

1. Benutzen Sie ein feuchtes Tuch, um das Innengehäuse des Mikrowellenherds zu reinigen.
2. Reinigen Sie das Zubehör in gewohnter Weise mit Seifenwasser.
3. Falls Türrahmen, Dichtung oder anliegende Teile verschmutzt sind, diese vorsichtig mit einem feuchten Tuch mit Reinigungslösung reinigen und anschließend trocken wischen.

Der Mikrowellenherd muss geerdet sein. Der Netzstecker darf ausschließlich an eine geerdete Steckdose angeschlossen werden.

Sollten Sie Zweifel bzgl. der Elektroinstallation haben oder sollten irgendwelche Störungen am Mikrowellenherd auftreten, wenden Sie sich bitte an einen qualifizierten Elektromonteur oder einen Wartungstechniker.

1. Der Mikrowellenherd wurde mit einem kurzen Stromkabel ausgestattet, um eventuelle Unfälle durch Stolpern oder Einfangen zu vermeiden.
2. Ein langes Verlängerungskabel muss folgende Anforderungen erfüllen:
 - a) Aufgrund der zulässigen elektrischen Belastung, müssen die Nennwerte des Verlängerungskabels und der Steckdose mit den Nennwerten des Mikrowellenherds übereinstimmen.
 - b) Das Verlängerungskabel muss dreiadrig sein und Stecker sowie Steckdose müssen mit einem Erdungsstift ausgestattet sein.

- c) Das Kabel muss gut gelagert werden, damit es nicht über die Küchenplatte hängt, Unfälle durch Stolpern verursacht oder Kinder durch das Herausziehen des Kabels gefährdet.

UTENSILIEN UND GESCHIRR

HINWEIS

Unfallgefahr

Benutzen Sie ausschließlich mikrowellengeeignetes Kochgeschirr. Dicht verschlossenes Geschirr könnte während des Kochens explodieren. Verschlossenes Geschirr vor dem Kochen öffnen und Kunststoffverpackungen durchstechen – s. geeignetes/nicht geeignetes Material für den Mikrowellengebrauch. Auch bestimmtes nichtmetallisches Material könnte gefährlich beim Kochen in der Mikrowelle sein. Sollten Sie sich nicht sicher sein, welches Material für die Mikrowelle geeignet ist, gehen Sie wie folgt vor:

Küchengeschirr-Test:

1. Mikrowellengeeigneten Behälter mit kaltem Wasser (250 ml) befüllen.
2. 1 Minute lang bei Höchstleistung kochen lassen.
3. Vorsichtig die Geschirrtemperatur überprüfen. Falls das Testgeschirr warm ist, sollte es nicht zum Kochen in der Mikrowelle benutzt werden.
4. Nicht länger als 1 Minute kochen.

GEFAHR für Kinder: Kinder dürfen nicht mit dem Verpackungsmaterial spielen. Kinder dürfen nicht mit den Kunststoffbeuteln spielen. Erstickungsgefahr.



**Heiße
Oberfläche!**

Material, das für den Mikrowellenherd geeignet ist

Geschirr	Bemerkungen
Backbleche	Befolgen Sie die Hinweise des Herstellers. Der Boden der Backschale muss mindestens 5 mm über dem Drehteller liegen. Ein unsachgemäßer Umgang könnte zum Brechen des Drehtellers führen.
Teller	Benutzen Sie ausschließlich mikrowellengeeignete Teller und Kochgeschirr. Befolgen Sie die Hinweise des Herstellers. Verwenden Sie weder zersprungene noch anderswie beschädigte Schüsseln.
Trinkgläser und Glaskrüge	Vergessen Sie nicht den Dichtungsdeckel abzunehmen. Speise nur erwärmen. Nicht kochen! Die meisten Glaskrüge und Trinkgläser sollten nicht bei hohen Temperaturen benutzt werden, da diese zerspringen könnten.

Geschirr	Bemerkungen
Gläserne Backschüsseln	Verwenden Sie ausschließlich gläserne Backschüsseln, die hohen Temperaturen standhalten können. Vergewissern Sie sich, dass die Schüssel keinen metallischen Rand oder sonstige Teile aus Metall hat. Verwenden Sie weder zersprungene noch anderswie beschädigte Schüsseln.
Backbeutel	Befolgen Sie die Hinweise des Herstellers. Benutzen Sie keine Metallverschlüsse. Vakuumverschluss halb offen lassen, damit heißer Dampf austreten kann.
Papierteller	Nur für das Erwärmen oder kurzes Kochen. Der Mikrowellenherd sollte während des Kochvorgangs nicht unbeaufsichtigt gelassen werden.
Papiertücher	Zum Abdecken von Gerichten und Absaugen von Fett. Nur für kurze Zeit für das Erwärmen benutzen. Niemals unbeaufsichtigt kochen lassen.
Pergament-Backpapier	Zum Abdecken von Gerichten, zum Einpacken von Gerichten beim Dünsten und zum Schutz vor dem Bespritzen des Mikrowellenherds.
Kunststoffmaterial	Benutzen Sie ausschließlich mikrowellene geeignete Teller und Kochgeschirr. Befolgen Sie die Hinweise des Herstellers. Mikrowellene geeignetes Kunststoffmaterial muss speziell gekennzeichnet sein: Wird Kunststoffmaterial für lange Zeit zu hohen Temperaturen ausgesetzt, könnte dieses weich werden. Koch- und Backbeutel müssen aufgeschnitten, durchstochen und anderswie entlüftet werden, je nach Anweisungen des Herstellers des jeweiligen Gerichtetes.
Kunststoffolie zum Einpacken	Benutzen Sie ausschließlich mikrowellene geeignete Teller und Kochgeschirr. Zum Abdecken von Gerichten und zur Aufrechterhaltung der Feuchtigkeit des Gerichtetes beim Kochen. Vergewissern Sie sich, dass die Kunststoffolie nicht die zubereitete Speise berührt.
Temperaturanzeiger	Benutzen Sie ausschließlich mikrowellene geeignete Temperaturanzeiger. (Temperaturanzeiger für Fleisch, Back- und Süßware).
Wachspapier	Zum Abdecken von Gerichten, zum Schutz des Mikrowellenherds vor dem Bespritzen und zur Aufrechterhaltung der Feuchtigkeit des Gerichtetes beim Kochen.

Material, das für den Mikrowellengebrauch nicht geeignet sind

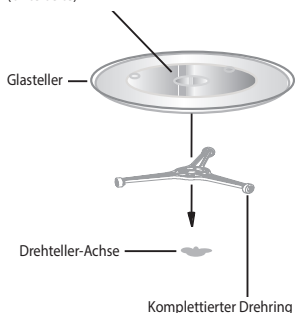
Utensilien und Geschirr	Bemerkungen
Alu-Servierbretter und -Bleche	Mögliche Verbiegung. Geben Sie die Speise in ein mikrowellene geeignetes Kochgeschirr.
Lebensmitteldosen und Kartons mit Metallgriffen	Mögliche Verbiegung. Geben Sie die Speise in ein mikrowellene geeignetes Kochgeschirr.
Metallgeschirr und Geschirr mit Metallzubehör	Metall beugt dem Hindurchdringen der Mikrowellenstrahlung vor. Der Metallrand könnte sich biegen.
Drahtverschlussringe	Mögliche Verbiegung oder Entstehung eines Brands innerhalb des Mikrowellenherds.
Papierbeutel	Es besteht die Gefahr einer Entzündung. Möglicher Brand innerhalb des Mikrowellenherds.
Schaumstoffe	Bei hohen Temperaturen könnte Kunststoffschäum aufschmelzen und das Gericht entwerten.
Holz	Holz trocknet aus. Während des Kochvorgangs könnten sich Risse auf dem Holz bilden.

Material, das für das Grillen und Kochen im Mikrowellenherd geeignet ist

Material	Kochen	Grillen	Kombiniert
Kochglas	Ja	Ja	Ja
Standardglas	Nein	Nein	Nein
Keramik zum Einbacken	Ja	Ja	Ja
Mikrowellene geeignetes Kunststoffgeschirr	Ja	Nein	Nein
Backpapier	Ja	Nein	Nein
Metallrost	Nein	Ja	Nein
Metallblech, Servierbrett	Nein	Ja	Nein
Alufolie	Nein	Ja	Nein

INSTALLATION DES DREHTELLERS

Ladunf (Unterseite)



1. Glasteller niemals mit dem Boden nach oben legen. Der Glasteller muss sich ungehindert drehen können.
2. Mikrowellenherd nicht ohne Drehring oder Glasteller verwenden.
3. Gerichte und Geschirr mit Gerichten sind ausschließlich auf den Glasteller zu legen.
4. Sollte der Glasteller aufspringen oder der Drehring beschädigt werden, kontaktieren Sie die nächstliegende Kundendienststelle.

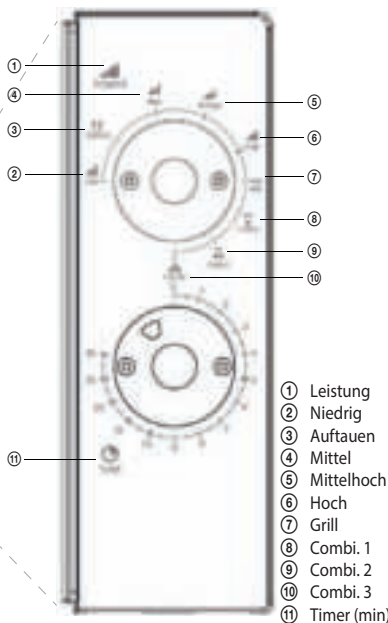
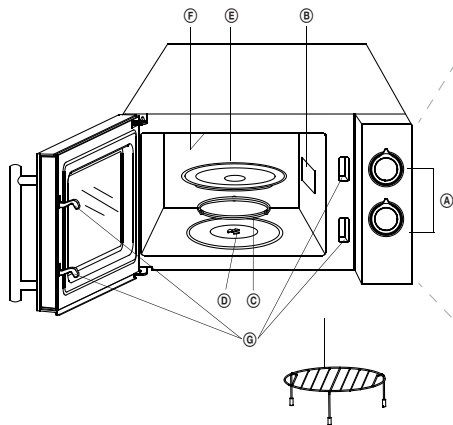
BESCHREIBUNG DES MIKROWELLENHERDS

Bezeichnung der Mikrowellenteile und des Zubehörs

Mikrowellenherd und Zubehör auspacken.

Der Mikrowellenherd wird mit folgendem Zubehör geliefert:

Glasteller	1
Kompletierter Drehring	1
Bedienungsanleitung	1



- | | |
|----------------------|---|
| (A) Bedienfeld | (F) Grill |
| (B) Hohlleiter | (G) Sicherheitsschließsystem
(Wird die Tür während des Kochvorganges geöffnet, wird die Stromzufuhr abgeschaltet.) |
| (C) Drehring | |
| (D) Drehteller-Achse | |
| (E) Glasteller | |

- | |
|---------------|
| ① Leistung |
| ② Niedrig |
| ③ Auftauen |
| ④ Mittel |
| ⑤ Mittelhoch |
| ⑥ Hoch |
| ⑦ Grill |
| ⑧ Combi. 1 |
| ⑨ Combi. 2 |
| ⑩ Combi. 3 |
| ⑪ Timer (min) |

INSTALLATION

Entfernen Sie das Verpackungsmaterial und nehmen das Zubehör heraus. Überprüfen Sie den Mikrowellenherd, ob dieser nicht beschädigt wurde (eingedrückte oder anderswie beschädigte Tür usw.). Mikrowellenherd nicht installieren, falls dieser beschädigt ist.

Arbeitsplatte der Küchenzeile

Mikrowellengehäuse: Entfernen Sie vom Mikrowellenherd sämtliche Schutzfolien.

Entfernen Sie nicht die hellbraune Folie, die im Inneren des Mikrowellenherds angeschraubt ist. Diese Folie schützt die Magnetfeldröhre des Mikrowellenherds.

Installation

1. Platzieren Sie den Mikrowellenherd auf eine gerade Fläche, die ausreichend Raum für eine richtige Funktion der Lüftungsöffnungen gewährleistet.

Zwischen Mikrowellenherd und nächstliegender Wand einen Abstand von mindestens 7,5 cm einhalten.

Wenigstens eine Seite muss frei bleiben.

- a) Über den Mikrowellenherd ist mindestens 30 cm Freiraum zu lassen.
 - b) Entfernen Sie nicht die Mikrowellen-Füße.
 - c) Blockieren Sie nicht die Lüftungsöffnungen. Es könnte zu einer Beschädigung des Mikrowellenherds kommen.
 - d) Platzieren Sie den Mikrowellenherd möglichst weit von Radio- oder Fernsehempfangsgeräten. Der Mikrowellenherd könnte eine Störung des Fernseh- oder Radiosignals hervorrufen.
2. Schließen Sie den Mikrowellenherd an das Stromnetz an. Vergewissern Sie sich, dass die Spannungswerte und die Frequenz, die dem Etikett des Mikrowellenherds zu entnehmen sind, mit den Spannungswerten und der Frequenz im jeweiligen Stromnetz übereinstimmen.

HINWEIS: Der Mikrowellenherd sollte nicht über eine Kochplatte, in ihrer Nähe oder in der Nähe von anderen Wärmeeinrichtungen installiert werden. Die Platzierung des Mikrowellenherds in der Nähe einer Wärmeeinrichtung könnte zur Beschädigung des Mikrowellenherds oder zur Nichtanerkennung der Garantie führen. Der Mikrowellenherd ist für den Gebrauch in einem freien Raum bestimmt und darf nicht in Schränken platziert werden.

Die Oberfläche des Mikrowellenherds könnte während des Betriebs heiß werden.



Bedienfeld und Funktionen

1. Stellen Sie durch Drehen des Drehknopfs (Power) die gewünschte Leistungsstufe ein.
2. Stellen Sie durch Drehen des Timers (Time) das gewünschte Intervall in Abhängigkeit von dem zubereiteten Gericht ein (max. 30 Minuten).
3. Der Mikrowellenherd startet automatisch, nachdem Leistung und Zeit eingestellt wurden.
4. Nach Ablauf der voreingestellten Kochzeit schaltet sich der Mikrowellenherd aus.
5. Falls Sie den Mikrowellenherd nicht benutzen, belassen Sie den Timer auf „0“.

Bemerkung: Wünschten Sie eine Kochzeit von weniger als zwei Minuten einzustellen, drehen Sie mit dem Drehknopf weiter über 2 Minuten und versetzen diesen anschließend auf den gewünschten Wert zurück.

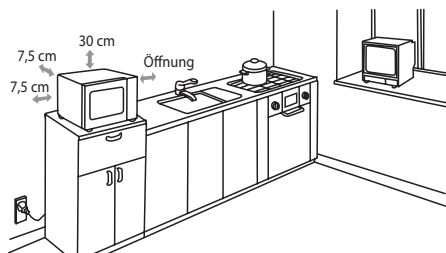
Erwärmung im Mikrowellenherd

Beim Erwärmen stehen fünf Leistungsstufen zur Verfügung, die gut die gewünschten Aufgaben erfüllen. Je mehr Sie mit dem Drehknopf nach rechts drehen, desto mehr steigt die Leistung. Die Leistungsstufen sind folgendermaßen beschrieben:

Ausgangsleistung	Beschreibung
100 %	HIGH
81%	M.HIGH
58%	MED
36%	DEFROST
18%	LOW

Grillen

Durch Drehen des Drehknopfes im Uhrzeigersinn, hinter die größte Leistungsstufe des Mikrowellenherds (Position GRIL ⑦), gehen Sie zum Grillmodus über, in dem vor allem dünne Scheiben Fleisch, Steaks, Koteletten, Kebab, Bratwürste oder Geflügelstücke zubereitet werden können. Dieser Modus ist auch für die Zubereitung von warmen Sandwiches und Vollkorngerichten geeignet.



Kombinierter Modus

Wie bereits der Name verrät, werden in diesem Modus Erwärmung und Grillen kombiniert. Der Modus steht in drei Leistungsstufen zur Verfügung, die verschiedene Leistungswerte beim Erwärmen und Grillen kombinieren. Die Leistungswerte sind der Tabelle weiter unten zu entnehmen. Der Kombinierte Modus ist vor allem für bestimmte Gerichte geeignet. Auf diese Weise die gewünschte Knusprigkeit erreicht werden.

Der folgenden Tabelle sind 3 Einstellungsoptionen für den kombinierten Modus zu entnehmen.

Programm	Erwärmen	Grillen	Geeignet für
Combi. 1	30%	70%	Fisch, Kartoffeln, Vollkorngerichte
Combi. 2	49%	51%	Pudding, Omeletts, Bratkartoffeln
Combi. 3	67%	33%	Geflügel

PROBLEMBEHEBUNG

Gewöhnliche Probleme	
Der Mikrowellenherd stört den Fernsehempfang.	Der laufende Mikrowellenherd könnte den Radio- und Fernsehempfang stören. Ähnlich wie bei Störungen kleiner Elektrogeräte wie Mixer, Staubsauger und elektrischer Lüfter.
Das Licht im Mikrowellenherd ist gedämpft.	Bei niedrigeren Leistungsstufen kann das Licht gedämpft werden.
An der Tür sammelt sich Dampf an, aus den Luftlöchern kommt heiße Luft heraus.	Während des Kochvorgangs könnte Dampf aus dem Gericht aufsteigen. Dampf tritt vor allem aus den Luftlöchern heraus, etwas Dampf könnte sich auch an kühleren Stellen ansammeln (z.B. an der Tür). Diese Erscheinung ist normal.
Der Mikrowellenherd ist leer und wurde versehentlich eingeschaltet.	Der Mikrowellenherd darf nicht eingeschaltet werden, falls dieser leer ist. Dies könnte äußerst gefährlich sein.

Problem	Mögliche Ursache	Abhilfe
Der Mikrowellenherd lässt sich nicht einschalten.	(1) Das Netzkabel wurde lose in die Steckdose gesteckt.	Netzkabel aus der Steckdose ziehen. Warten Sie ca. 10 Sekunden lang, bis Sie das Netzkabel erneut in die Steckdose stecken.
	(2) Die Sicherungen sind durchgebrannt oder der Schutzschalter ist ausgefallen.	Lassen Sie die Sicherungen auswechseln und schalten den Schutzschalter ein (hierfür ist ein Servicetechniker unserer Gesellschaft zuständig).
	(3) Problem mit der Steckdose.	Versuchen Sie andere elektrische Geräte an die Steckdose anzuschließen.
Der Mikrowellenherd wird nicht warm.	(4) Die Tür wurde nicht richtig geschlossen.	Tür gut schließen.
Der Gasteller gibt während des Mikrowellenbetriebs Geräusche von sich.	(5) Drehunterlage oder Boden sind verschmutzt.	Reinigen Sie den Mikrowellenherd gemäß Anweisungen im Kapitel „Reinigung“.

TECHNISCHE ANGABEN

Volumen:	20 l	Nennspannung:	230–240 V~ 50 Hz
Mikrowellenleistung:	700 W	Anschlusswert:	1.200 W
Timer:	30 Minuten	Betriebsfrequenz:	2.450 MHz
Leistungsoptionen:	5 Leistungsstufen	Geräuschpegel:	55 dB
Drehteller:	Ø 245 mm	Grill:	900 W
Gewicht:	11,3 kg		
Maße:	452 × 262 × 364 mm		
Ausmaße des Innenbereichs:	315 × 198 × 297 mm		

VERWERTUNG UND ENTSORGUNG VON ABFALL

Verpackungspapier und Wellpappe an einer Sammelstelle abgeben. Verpackungsfolie, PET-Beutel und Kunststoffteile gehören in Sammelcontainer für Kunststoff.

ENTSORGUNG DES PRODUKTES NACH ABLAUF SEINER LEBENSDAUER

Entsorgung von gebrauchten elektrischen und elektronischen Geräten (gültig in den Mitgliedsländern der EU und anderen europäischen Ländern, in denen das Abfalltrennungssystem eingeführt wurde)

Das abgebildete Symbol auf dem Produkt oder auf der Verpackung weist darauf hin, dass das Produkt nicht als Hausmüll entsorgt werden soll. Das Produkt sollte an einem Ort abgegeben werden, der für die Wiederverwertung von elektrischen und elektronischen Geräten bestimmt ist. Eine richtige Entsorgung des Produktes beugt negativen Einflüssen auf die menschliche Gesundheit und die Umwelt vor. Die Wiederverwertung trägt zum Schutz der Naturressourcen bei. Weitere Informationen über die Wiederverwertung des Produktes erhalten Sie beim Gemeindeamt, bei einer Organisation für Abfallbearbeitung oder an der Verkaufsstelle, an der Sie das Produkt erworben haben.

Dieses Produkt erfüllt sämtliche Anforderungen der EU-Richtlinien über die elektromagnetische Kompatibilität und elektrische Sicherheit.

Die Bedienungsanleitung finden Sie unter www.ecg-electro.eu.

Änderungen des Textes und der technischen Parameter sind vorbehalten.



08/05



BEZPEČNOSTNÍ POKYNY

Čtěte pozorně a uschovejte pro budoucí potřebu!

Varování: Bezpečnostní opatření a pokyny uvedené v tomto návodu nezahrnují všechny možné podmínky a situace, ke kterým může dojít. Uživatel musí pochopit, že faktorem, který nelze zabudovat do žádného z výrobků, je zdravý rozum, opatrnost a péče. Tyto faktory tedy musí být zajištěny uživatelem/ uživateli používajícími a obsluhujícími toto zařízení. Neodpovídáme za škody způsobené během přepravy, nesprávným používáním, kolísáním napětí nebo změnou či úpravou jakékoliv části zařízení.

Aby nedošlo ke vzniku požáru nebo k úrazu elektrickým proudem, měla by být při používání elektrických zařízení vždy dodržována základní opatření, včetně těch následujících:

1. Ujistěte se, že napětí ve vaší zásuvce odpovídá napětí uvedenému na štítku zařízení, a že je zásuvka řádně uzemněná. Zásuvka musí být instalována podle platné elektrotechnické normy ČSN.
2. Nikdy troubu nepoužívejte, pokud jsou poškozená dvířka, trouba nefunguje správně, nebo pokud je přívodní kabel poškozen.

VÝSTRAHA: Je nebezpečné pro jakoukoliv osobu jinou než proškolenou, aby prováděla jakékoliv opravy nebo údržbu vedoucí k odstranění libovolného krytu, který zajišťuje ochranu před zářením mikrovlnné energie.

Veškeré opravy nebo seřízení včetně výměny napájecího přívodu svěřte odbornému servisu! Před opravou musí být odpojen síťový přívod ze zásuvky. Odstraněním krytů se zapojeným síťovým přívodem můžete vystavit nebezpečí zasažení mikrovlnnou energií a elektrickým proudem servisního technika!

3. Chraňte spotřebič před přímým kontaktem s vodou a jinými tekutinami, aby nedošlo k případnému úrazu elektrickým proudem. Neponořujte přívodní kabel nebo vidlici do vody!
4. Nepoužívejte mikrovlnnou troubu venku nebo ve vlhkém prostředí ani se nedotýkejte přívodního kabelu nebo spotřebiče mokřýma rukama. Hrozí nebezpečí úrazu elektrickým proudem.
5. Dbejte zvýšené pozornosti, pokud používáte troubu v blízkosti dětí.

6. Mikrovlnná trouba by neměla být ponechána během chodu bez dozoru.
7. Doporučujeme nenechávat troubu se zasunutým přívodním kabelem v zásuvce bez dozoru. Před údržbou vytáhněte přívodní kabel ze síťové zásuvky. Vidlici nevytahujte ze zásuvky taháním za kabel. Kabel odpojte ze zásuvky uchopením za vidlici.
8. Nepoužívejte mikrovlnnou troubu v blízkosti zdroje tepla, např. plotýnky sporáku. Chraňte ji před přímým slunečním zářením.
9. Přívodní kabel se nesmí dotýkat horkých částí ani vést přes ostré hrany.
10. Riziko vzniku požáru uvnitř trouby omezíte následovně:
 - a) Jídlo nepřehřívejte.
 - b) Před umístěním papírových nebo plastových sáčků do trouby z nich odstraňte sponky.
 - c) Nerozehřívejte olej nebo tuk na smažení v troubě, protože teplotu oleje nelze regulovat. V troubě nesmažte potraviny. Horký olej může poškodit části trouby a kuchyňské nádoby a také způsobit popáleniny.
 - d) Po použití otřete dvířka, těsnění dvířek a vnitřní prostor trouby utěrkou navlhčenou v roztoku saponátu a vytřete do sucha. Tím odstraníte veškeré nečistoty, mastnotu a případné zbytky pokrmu.

VÝSTRAHA: Jsou-li dvířka nebo těsnění dvířek poškozena, nesmí být trouba používána, dokud nebude opravena proškolenou osobou. Trouba by měla být správně čistěna a případné zbytky pokrmu odstraněny. Neudržování trouby v čistotě by mohlo vést k poškození povrchu, které by mohlo nepříznivě ovlivnit životnost spotřebiče a mít za následek vznik nebezpečné situace. Navršená mastnota by se mohla přehřát a mohl by tak vzniknout následně požár.

Pro čištění nepoužívejte abrazivní prostředky.

Spotřebič se nesmí čistit parním čističem.

- e) Pokud by se z upravovaného pokrmu uvnitř trouby začalo kouřit nebo by se vznítily, nechte dvířka trouby zavřená, troubu vypněte a vytáhněte vidlici napájecího přívodu ze zásuvky, aby se zabránilo rozšíření případného ohně.
- f) V případě použití jednorázových nádob z plastu, papíru nebo jiných hořlavých materiálů nesmíte troubu nechat bez dozoru, aby nedošlo ke vznícení.

11. Riziko výbuchu nebo náhlého varu omezíte takto:
VÝSTRAHA: Kapaliny a jiné pokrmy se nesmějí ohřívat ve vzduchotěsně uzavřených nádobách, protože jsou náchylné k explozi. Za uzavřené nádoby se považují i dětské láhve se šroubovacím uzávěrem nebo s dudlíkem.
- Na ohřev tekutin použijte nádobu se širokým hrdlem a po ohřevu ji nechejte 20 sekund odstát, aby nedošlo k jejímu eruptivnímu varu.
 - Vejsce ve skořápce, celá natvrdo uvařená vejce, voda obsahující tuk nebo olej a uzavřené skleněné nádoby se nesmějí v mikrovlnné troubě ohřívat, protože mohou explodovat a to i po ukončení mikrovlnného ohřevu. Brambory, párky nebo kaštiny musíte před vložením do trouby oloupat nebo propíchnout.
 - Mikrovlnný ohřev nápojů může způsobit opožděný var, s čímž se musí počítat při držení nádoby.
 - Obsah kojeneckých lahví a dětské stravy musí být před podáváním promíchán nebo protřepán a musí se zkontrolovat jeho teplota před konzumací, aby se zabránilo popálení.
12. Po dokončení vaření jsou nádoby velmi horké. K jejich vyjímání používejte chňapky. Pozor na popáleniny obličeje a rukou způsobené kontaktem s horkou párou.
13. Vždy pomalu nadzvedávejte nejvzdálenější okraj víka nebo potravinové fólie. Sáčky s popcornem a pečicí sáčky otevírejte v dostatečné vzdálenosti od obličeje.
14. Aby se nerozbil otočný talíř:
- Před čištěním nechte otočný talíř vychladnout.
 - Na studený otočný talíř nepokládejte žádné horké pokrmy ani nádoby.
 - Na horký otočný talíř nepokládejte zmražené potraviny nebo studené nádoby.
15. Ujistěte se, že se nádoby během vaření nedotýkají vnitřních stěn trouby.
16. Uvnitř trouby neskladujte potraviny ani jiné předměty. Pokud dojde k zasažení elektrické sítě bleskem, může dojít k samovolnému zapnutí trouby.

17. Troubu nepoužívejte, pokud uvnitř nejsou žádné tekutiny ani potraviny. Takto byste mohli troubu poškodit. Neblokujte a neucpávejte ventilační otvory trouby.
18. Nepoužívejte příslušenství, které není doporučeno výrobcem, jinak se vystavujete riziku ztráty záruky.
19. Používejte mikrovlnnou troubu pouze v souladu s pokyny uvedenými v tomto návodu. Tato mikrovlnná trouba je určena pouze pro domácí použití. Výrobce neodpovídá za škody způsobené nesprávným použitím tohoto spotřebiče.
20. Mikrovlnná trouba je určena pro ohřev potravin a nápojů. Sušení potravin nebo oděvů a ohřev ohřívacích podušek, domácí obuvi, mycích hub, vlhkého textilu a podobných věcí může vést k nebezpečí poranění, vznícení nebo požáru.
21. Tento spotřebič je určen pro použití v domácnosti a podobných prostorech jako jsou:
 - kuchyňské kouty v obchodech, kancelářích a ostatních pracovních prostředích
 - spotřebiče používané v zemědělství
 - spotřebiče používané hosty v hotelích, motelech a jiných obytných prostředích
 - spotřebiče používané v podnicích zajišťujících nocleh se snídaní.
22. Tento spotřebič mohou používat děti starší 8 let a starší a osoby se sníženými fyzickými či mentálními schopnostmi nebo nedostatkem zkušeností a znalostí, pokud jsou pod dozorem nebo byly poučeny o používání spotřebiče bezpečným způsobem a rozumějí nebezpečím při nesprávném používání. Děti si se spotřebičem nesmějí hrát. Čištění a údržbu prováděnou uživatelem nesmějí provádět děti, pokud nejsou starší 8 let a pod dozorem.

Nevystavujte se zbytečně přílišnému mikrovlnnému záření

1. Nesnažte se uvést mikrovlnnou troubu do provozu, jsou-li dvířka trouby otevřena. Můžete se tak vystavit škodlivému mikrovlnnému záření. Nesnažte se porušit nebo přidržovat bezpečnostní zámky dvířek trouby.
2. Nevkládejte žádné cizí předměty mezi dvířka trouby. Dbejte na to, aby se na těsnění dvířek trouby a na těsnicích plochách neusazovala špína nebo zbytky čistících prostředků.

3. Nesnažte se uvést troubu do provozu, je-li poškozena. Je nutné, aby dvířka trouby po uzavření dokonale dolehla a nebyla nijak poškozena.
Příklady nebezpečného poškození dvířek:
 - a) PROMÁČKNUTÍ dvířek trouby.
 - b) Uvolněné nebo zlomené upevňovací PANTY či POJISTKY dvířek.
 - c) TĚSNĚNÍ DVÍŘEK NEBO TĚSNICÍ PLOCHY ČELA RÁMU TROUBY.
Pouze kvalifikovaná osoba smí mikrovlnnou troubu seřizovat nebo opravovat.
4. Jako u většiny přístrojů určených na pečení je pro snížení rizika vzniku ohně v prostoru trouby nutný přísný dozor.

Pokud dojde k požáru:

1. Neotevírejte dveře trouby.
2. Vypněte troubu a vytáhněte vidlici ze zásuvky.
3. Vypněte hlavní vypínač rozvodu elektrického proudu.

ČIŠTĚNÍ

Ujistěte se, že jste odpojili troubu od přívodu elektrické energie vytažením vidlice napájecího přívodu ze zásuvky.

1. Použijte vlhký hadřík a očistěte vnitřek trouby.
2. Očistěte příslušenství obvyklým způsobem v mýdlové vodě.
3. Znečištěný rám dvířek, těsnění a sousední části se musí opatrně čistit vlhkým hadříkem namočeným v roztoku saponátu a poté vytřít do sucha.

Trouba musí být uzemněna. Vidlice napájecího přívodu smí být zapojena pouze do zásuvky, která je náležitě uzemněna.

V případě jakýchkoliv pochybností o správnosti el. instalace nebo při poruchách trouby se obraťte na kvalifikovaného elektrikáře nebo servisního technika.

1. Mikrovlnná trouba je vybavena krátkým přívodním kabelem, aby se snížilo riziko úrazu zakopnutí nebo zamotání.
2. Dlouhý prodlužovací kabel musí splňovat tyto požadavky:
 - a) Z hlediska povoleného elektrického zatížení musí jmenovité hodnoty prodlužovacího kabelu a zásuvky odpovídat jmenovitým hodnotám mikrovlnné trouby.
 - b) Prodlužovací kabel musí být třížilový a vidlice i zásuvka musí být vybavena uzemňovacím kolíkem.

- c) Kabel musí být dobře uschován, aby nevisel zbytečně přes pracovní desku kuchyňské linky, a aby nemohlo dojít k zakopnutí nebo k vytažení kabelu dětmi.

NÁSTROJE A NÁDOBÍ

UPOZORNĚNÍ

Nebezpečí úrazu

Používejte pouze nádoby, které jsou vhodné k použití v mikrovlnných troubách. Těsně uzavřené nádoby mohou při vaření explodovat. Uzavřené nádoby musí být před vařením otevřeny a plastové obaly propíchnuty, viz Materiály, které mohou a nemohou být použity při vaření v mikrovlnné troubě. Existují některé nekovové materiály, které nemohou být bezpečně používány při vaření v mikrovlnné troubě. Pokud si nejste jisti, je-li možný materiál bezpečně použit při vaření v mikrovlnné troubě, postupujte následovně:

Test kuchyňského nádobí:

1. Nádobu určenou pro vaření v mikrovlnné troubě naplňte studenou vodou (250 ml).
2. Vařte po dobu 1 minuty při maximálním výkonu trouby.
3. Opatrně zkuste teplotu zkoušeného nádobí. Pokud je zkoušené nádobí teplé, nepoužívejte ho při vaření v mikrovlnné troubě.
4. Nevařte déle než 1 minutu.

NEBEZPEČÍ pro děti: Děti si nesmějí hrát s obalovým materiálem. Nenechte děti hrát si s plastovými sáčky. Nebezpečí udušení.



Horký povrch!

Materiály, které můžete použít při vaření v mikrovlnné troubě

Nádobí	Poznámky
Zapékací plechy	Řiďte se pokyny výrobce. Dno pečící nádoby musí být alespoň 5 mm nad otočným talířem. Nesprávné zacházení může mít za následek prasknutí otočného talíře.
Talíře	Používejte pouze talíře a nádoby určené k použití v mikrovlnných troubách. Řiďte se pokyny výrobce. Nepoužívejte prasklé nebo jinak poškozené mísy.
Skleněné sklenice a džbány	Vždy sejměte těsnící víčko. Pokrm pouze ohřejte. Nevařte! Většina skleněných džbánů a sklenic neodolává vysokým teplotám a může dojít k prasknutí.

Nádobí	Poznámky
Skleněné zapékačí mísy	Používejte pouze skleněné zapékačí mísy odolávající vysokým teplotám. Přesvědčete se, že mísa nemá kovový lem nebo jiný kovový doplněk. Nepoužívejte prasklé nebo jinak poškozené mísy.
Zapékačí sáčky	Řiďte se pokyny výrobce. Neuzavírejte kovovými sponami. Ponechte spoj vaku pootevřený, aby horké páry mohly volně unikat.
Papírové tácky	Vhodné pouze pro ohřívání, nebo krátké vaření. Nenechávejte troubu bez dozoru během vaření.
Papírové utěrky	Používejte na přikrytí pokrmů a na odsátí rozpuštěného tuku. Používejte pouze na krátkodobé vaření. Nenechávejte bez dozoru během vaření.
Pergamenový zapékačí papír	Používejte na přikrytí pokrmů, na zabalení pokrmů během dušení a jako zábranu proti postříkání trouby.
Plastové materiály	Používejte pouze talíře a nádoby určené k použití v mikrovlnných troubách. Řiďte se pokyny výrobce. Plastový materiál vhodný k použití v mikrovlnné troubě musí mít specifické označení: „Vhodný pro mikrovlnné trouby.“ Některé plasty měknou v důsledku dlouhodobého působení vysokých teplot. „Varné sáčky“ a zapékačí vaky musí být prořizny, propíchnuty, nebo jinak odvětrány, podle návodu výrobce pokrmu.
Plastové obalovací folie	Používejte pouze talíře a nádoby určené k použití v mikrovlnných troubách. Používejte na přikrývání pokrmů a na udržení vlhkosti pokrmu během vaření. Dbejte na to, aby se plastová folie nedotýkala připravovaného pokrmu.
Teploměry	Používejte pouze teploměry vhodné k používání v mikrovlnných troubách. (Teploměry na maso, pečivo a cukroví).
Voskový papír	Používejte na přikrytí pokrmů, jako zábranu proti postříkání trouby a na udržení vlhkosti pokrmu během vaření.

Materiály, které nemohou být používány při vaření v mikrovlnné troubě

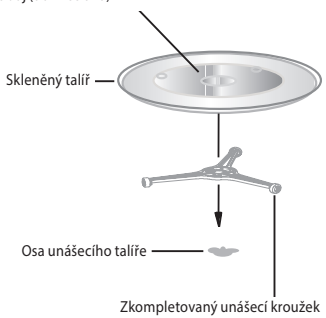
Nástroje a nádoby	Poznámky
Hliníkové podnosy a plechy	Hrozí nebezpečí zkroucení. Přemístěte pokrm do nádoby vhodné pro vaření v mikrovlnných troubách.
Potravinové a kartonové krabice s kovovým držadlem	Hrozí nebezpečí zkroucení. Přemístěte pokrm do nádoby vhodné pro vaření v mikrovlnných troubách.
Kovové nádoby a nádoby s kovovými doplňky	Kov zabraňuje pronikání mikrovlnné energie. Kovový lem se může zkroutit.
Drátěné zavírací kroužky	Hrozí nebezpečí zkroucení a požáru uvnitř trouby.
Papírové sáčky	Může dojít ke vznícení. Hrozí nebezpečí požáru uvnitř trouby.
Pěnové materiály	Působením vysokých teplot se plastová pěna může rozpustit a znehodnotit pokrm.
Dřevo	Dřevo se vysušuje a může prasknout během vaření.

Používání materiálů při grilování a vaření v mikrovlnné troubě

Materiál	Mikrovlnné vaření	Grilování	Kombinace
Varné sklo	Ano	Ano	Ano
Sklo obyčejné	Ne	Ne	Ne
Keramika určená k zapékání	Ano	Ano	Ano
Plastové nádoby do mikrovlnné trouby	Ano	Ne	Ne
Pečící papír	Ano	Ne	Ne
Kovový rošt	Ne	Ano	Ne
Kovový plech, podnos	Ne	Ano	Ne
Hliníková folie, alobal	Ne	Ano	Ne

INSTALACE UNÁŠECÍHO TALÍŘE

Náboj (dolní strana)



1. Nikdy nepokládejte skleněný talíř dnem nahoru. Skleněný talíř se musí vždy volně otáčet.
2. Nepoužívejte troubu bez unášecího kroužku a skleněného talíře.
3. Veškeré pokrmy a nádoby s pokrmy musí být vždy pokládány na skleněný talíř.
4. Pokud dojde k prasknutí skleněného talíře nebo k poškození unášecího kroužku, kontaktujte nejbližší autorizovaný servis.

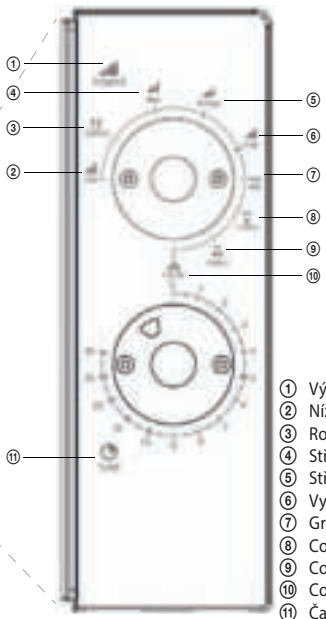
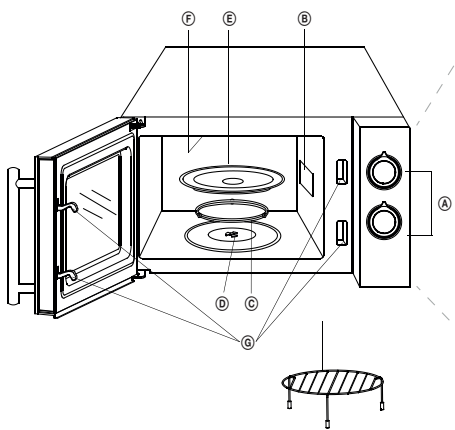
SESTAVENÍ MIKROVLNNÉ TROUBY

Názvy částí trouby a příslušenství

Vybalte troubu a veškeré příslušenství.

Trouba je dodávána s následujícími příslušenstvími:

Sklenný talíř	1
Zkompletovaný unášecí kroužek	1
Návod k obsluze	1



- (A) Ovládací panel
- (B) Vlnovod
- (C) Unášecí kroužek
- (D) Osa unášecího talíře
- (E) Skleněný talíř

- (F) Gril
- (G) Bezpečnostní uzamykací systém
(Vypne přívod elektrické energie, pokud dojde k otevření dvířek během vaření.)

- ① Výkon
- ② Nizký
- ③ Rozmrazování
- ④ Střední
- ⑤ Stř. vysoký
- ⑥ Vysoký
- ⑦ Gril
- ⑧ Combi. 1
- ⑨ Combi. 2
- ⑩ Combi. 3
- ⑪ Časovač (min)

INSTALACE

Odstraňte veškerý balicí materiál a vyjměte všechna příslušenství.

Zkontrolujte, zda trouba není nějak poškozena (promáčknutá nebo poškozená dvířka a podobně). Neinstalujte troubu, pokud je jakkoliv poškozená.

Pracovní deska kuchyňské linky

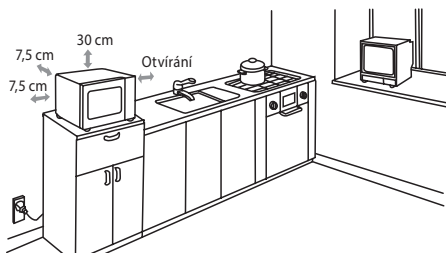
Těleso trouby: Odstraňte veškerou ochrannou fólii z povrchu trouby. **Neodstraňujte světlehnědou fólii, která je přišroubovaná uvnitř trouby. Tato fólie chrání magnetron trouby.**

Instalace

1. Troubu umístěte na rovný povrch, který zaručuje dostatečně volný prostor pro správnou funkci odvětrávacích otvorů.

Mezi troubou a nejbližší zdí musí být minimální vzdálenost 7,5 cm. Alespoň jedna strana musí být volná.

- Ponechejte alespoň 30 cm volného prostoru nad troubou.
- Neodstraňujte nožky trouby.
- Neblokujte větrací otvory. Může dojít k poškození trouby.
- Umístěte troubu co možná nejdále od rozhlasového a televizního přijímače. Mikrovlnná trouba může způsobovat rušení televizního a rozhlasového TV signálu.



2. Zapojte troubu do standardní elektrické sítě. Ujistěte se, že uvedená hodnota napětí a frekvenční kmitočty na štítku trouby se shoduje s hodnotou napětí a frekvenčním kmitočtem v síti.

UPOZORNĚNÍ: Neinstalujte troubu nad kuchyňskou varnou deskou ani v její blízkosti nebo v blízkosti jiného tepelného zařízení. Umístění trouby v blízkosti tepelného zařízení může mít za následek poškození trouby a zrušení platnosti záruky.

Mikrovlnná trouba je určena pro používání ve volném prostoru a nesmí se umísťovat do skříňky.

Během provozu může být povrch mikrovlnné trouby horký.



Ovládací panel a funkce

- Nastavte výkon trouby otočením ovladače (Power) na požadovaný stupeň.
- Délku vaření nastavte otočením časovače (Time) na požadovaný interval v závislosti na připravovaném pokrmu (max. 30 minut).
- Mikrovlnná trouba po nastavení výkonu a času automaticky spustí vaření.
- Po uplynutí nastavené délky vaření se trouba vypne.
- Pokud troubu nepoužíváte, nechte časovač nastavený na „0“.

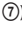
Poznámka: Při volbě doby vaření kratší dvou minut, otočte ovladačem dále přes 2 minuty a pak jej vraťte na požadovanou hodnotu.

Mikrovlnný ohřev

Pro čistě mikrovlnný ohřev je dostupných pět úrovní výkonu, které dobře odpovídají požadovaným úkolům. Výkon roste s otáčením voliče doprava. Výkonové stupně jsou popsány takto:

Výstupní výkon	Popis
100 %	HIGH
81%	M.HIGH
58%	MED
36%	DEFROST
18%	LOW

Grilování

Otáčením knoflíku ve směru hodinových ručiček, za nejvyšší úrovní výkonu mikrovlnné trouby (pozice GRIL ) , přejdete na režim grilování, která je obzvláště užitečná pro tenké plátky masa, steaky, kotlety, kebaby, klobásy nebo kousky kuřete. Tento režim je také vhodný pro přípravu teplých sendvičů a celozrnných pokrmů.

Kombinovaný režim

Jak již název napovídá, tento režim vaření kombinuje mikrovlnný ohřev a grilování. Režim je k dispozici ve třech úrovních výkonu, které kombinují různé hodnoty výkonu mikrovlnného ohřevu a grilování. Úrovně jsou popsány v tabulce níže. Kombinovaný režim je obzvláště vhodný pro určité typy pokrmů. Pomáhá také dosáhnout křupavosti.

V následující tabulce jsou popsána 3 různá nastavení pro kombinovaný režim.

Program	Mikrovlnný ohřev	Grilování	Vhodné pro
Combi. 1	30%	70%	Ryby, brambory, celozrnné pokrmy
Combi. 2	49%	51%	Pudink, omelety, pečené brambory
Combi. 3	67%	33%	Drůbež

ODSTRAŇOVÁNÍ PROBLÉMŮ

Běžné	
Mikrovlnná trouba ruší příjem televize.	Mikrovlnná trouba v chodu může rušit příjem rádia a televize. Je to podobné rušení malých elektrických spotřebičů jako mixér, vysavač a elektrický ventilátor.
Světlo v troubě se ztlumí.	Při použití nižšího výkonu mikrovln se může světlo v troubě ztlumit.
Na dvířkách se hromadí pára, z průduchů vychází horký vzduch.	Při vaření může z jídla vycházet pára. Většina jí odejde větracími otvory, ale část se může nahromadit na chladnějším místě, jakým jsou dvířka. Tento jev je normální.
Trouba byla omylem spuštěna prázdná.	Troubu nesmíte zapínat prázdnou. Je to velmi nebezpečné.

Problém	Možná příčina	Náprava
Troubu nelze zapnout.	(1) Přívodní kabel není pevně zastrčen v zásuvce.	Vytáhněte kabel ze zásuvky. Zhruba po 10 sekundách kabel znovu zastrčte do zásuvky.
	(2) Vyhořela pojistka nebo vypadnul jistič.	Vyměňte pojistku nebo zapněte jistič (opravuje servisní technik z naší společnosti).
	(3) Problém se zásuvkou.	Zkuste do zásuvky zapojit jiné elektrické zařízení.
Trouba nehřeje.	(4) Dvířka nejsou správně zavřena.	Dobře zavřete dvířka.
Skleněný talíř vydává zvuky, když je mikrovlnná trouba v chodu.	(5) Otočná podložka nebo dno trouby jsou znečištěné.	Očistěte troubu podle pokynů v kapitole „Čištění“.

TECHNICKÉ ÚDAJE

Objem:	20 l	Jmenovité napětí:	230–240 V~ 50 Hz
Mikrovlnný výkon:	700 W	Jmenovitý příkon:	1 200 W
Časovač:	30 minut	Provozní frekvence:	2 450 MHz
Nastavení výkonu:	5 úrovní	Hlučnost:	55 dB
Otočný talíř:	Ø 245 mm	Gril:	900 W
Hmotnost:	11,3 kg		
Rozměry:	452 × 262 × 364 mm		
Rozměry vnitřního prostoru:	315 × 198 × 297 mm		

VYUŽITÍ A LIKVIDACE ODPADU

Balící papír a vlnitá lepenka – odevzdat do sběrných surovin. Přebalová folie, PE sáčky, plastové díly – do sběrných kontejnerů na plasty.

LIKVIDACE VÝROBKU PO UKONČENÍ ŽIVOTNOSTI

Likvidace použitých elektrických a elektronických zařízení (platí v členských zemích EU a dalších evropských zemích se zavedeným systémem třídění odpadu)

Vyobrazený symbol na produktu nebo na obalu znamená, že s produktem by nemělo být nakládáno jako s domovním odpadem. Produkt odevzdejte na místo určené pro recyklaci elektrických a elektronických zařízení. Správnou likvidací produktu zabráníte negativním vlivům na lidské zdraví a životní prostředí. Recyklace materiálů přispívá k ochraně přírodních zdrojů. Více informací o recyklaci tohoto produktu Vám poskytne obecní úřad, organizace pro zpracování domovního odpadu nebo prodejní místo, kde jste produkt zakoupili.

Tento výrobek splňuje požadavky směrnice EU o elektromagnetické kompatibilitě a elektrické bezpečnosti.

Návod k obsluze je k dispozici na webových stránkách www.ecg-electro.eu.

Změna textu a technických parametrů vyhrazena.



08/05



OHUTUSJUHISED

Tutvuge põhjalikult ning säilitage edaspidiseks kasutamiseks!

Hoiatus: Juhendis sisalduvad ohutusabinõud ja juhised ei hõlma kõiki võimalikke tingimusi ja olukordasid. Kasutaja peab teadvustama, et terve mõistus, tähelepanu ja ettevaatus on tegurid, mida ei saa toodetesse integreerida. Seetõttu peab need tegurid tagama seadme kasutaja. Me ei vastutata transportimisel, mittenõuetekohasest kasutamisest, toitepinge kõikumisest või seadme mistahes osade vahetamisest või muutmisest põhjustatud kahjude eest.

Tulekahju või elektrilöögi riski eest kaitseks tuleb elektriseadmete kasutamisel rakendada põhilisi ettevaatusabinõusid, sealhulgas alljärgnevaid:

1. Veenduge, et toitevõrgu pinge vastab seadme andmesildil näidatud pingega ning, et pistikupesa on nõuetekohaselt maandatud. Pistikupesa tuleb paigaldada vastavalt kehtivatele EL elektrieeskirjadele.
2. Ärge kasutage mikrolaineahju, kui selle uks on kahjustatud, kui see ei tööta nõuetekohaselt või kui toitejuhe on kahjustatud.

HOIATUS: Mikrolainekiirguse vastase kaitsega seotud mistahes kaitsete eemaldamist hoolduseks või remondiks on lubatud teostada ainult vastava koolitusega töötajatel.

Kõik remondid, sealhulgas toitejuhtme asendused, teostatakse vastavas teeninduskeskuses! Enne remonditööde algust tuleb toitejuhe toitevõrgust lahti ühendada. Pingestatud seadmel kaitsekatete eemaldamine võib põhjustada ohtlikku kokkupuudet mikrolainekiirgusega ja mikrolaineenergiaga.

3. Võimaliku elektrilöögi vältimiseks kaitske seadet otsese kokkupuute eest vee ja muude vedelikega. Ärge sukeldage toitejuhett või pistikupesa vette!
4. Ärge kasutage mikrolaineahju õues ega märjas keskkonnas ning ärge puudutage toitejuhett või seadet märgade kätega. Elektrilöögi oht.
5. Ahju kasutamisel laste läheduses olge eriti ettevaatlikud.
6. Ärge jätke töötavat mikrolaineahju järelevalveta.
7. Ärge jätke toitevõrku ühendatud ahju järelevalveta. Enne mistahes hoolduse teostamist ühendage toitejuhe vooluvõrgust lahti. Toitevõrgust

lahtiühendamisel ärge tõmmake toitejuhtmest. Toitevõrgust lahtiühendamisel tõmmake pistikust.

8. Ärge kasutage mikrolaineahju soojusallikate, näiteks elektripliidi läheduses. Kaitske seadet otsese päikesevalguse eest.
9. Ärge laske toitejuhtmel kokku puutuda kuumade pindadega ning ärge jätke seda teravatele servadele.
10. Leegi ärahoidmiseks mikrolaineahju sees pöörake tähelepanu alljärgnevale:
 - a) Ärge toitu üle kuumutage.
 - b) Enne paber- või plastikkottide paigutamist ahju, eemaldage mistahes kinnitusklambrid.
 - c) Ärge kuumutage ahjus õli või rasva, kuna õli temperatuuri ei saa reguleerida. Vältige ahjus toiduainete praadimist. Kuum õli võib kahjustada ahju ja kööginõusid ning ka põhjustada põletusi.
 - d) Pärast kasutamist pühkige uks, uksetihend ja ahju sisemus pesuvahendi lahuses niisutatud lapiga puhtaks ning seejärel pühkige kuivaks. See eemaldab mistahes mustuse, rasva ja toidujäätmed.

HOIATUS: Ärge kasutage mikrolaineahju, kui selle uks või ukse tihend on kahjustatud. Laske see parandada kogemustega isikul. Ahi tuleb nõuetekohaselt puhastada ja eemaldada kõik toidujäätmed. Ahju puhastamisnõuete mittejärgimine võib põhjustada sissepinna kahjustamist, mis võib lühendada seadme kasutusiga ja põhjustada ohtliku olukorra. Järelejäänud rasv võib üle kuumeneda ja põhjustada tulekahju.

Ärge kasutage abrasiivseid puhastusvahendeid.

Ärge puhastage seadet auruga.

- e) Kui ahjus valmistatav toit hakkab suitsema või süttib, siis tule leviku ärahoidmiseks jätke ahju uks suletuks, lülitage ahi välja ja ühendage toitejuhe toitevõrgust lahti.
 - f) Ühekordsete plastik- ja pabermaterjalide või muude süttimisohtlike materjalide kasutamisel ärge jätke ahju süttimise ärahoidmiseks järelevalveta.
11. Plahvatuse või ootamatu keemamineku riski vähendamiseks pöörake tähelepanu alljärgnevale:

HOIATUS: Ärge kuumutage õhukindlates mahutites vedelikke või muid toiduaineid, kuna mahutid võivad plahvatada. Suletud mahutid hõlmavad ka keermestatud korgiga või lutiga lutipudeleid.

- a) Kasutage vedelike kuumutamiseks laia kaelaga mahuteid ja laske sellel pärast kuumutamist vedeliku väljapaiskumise ärahoidmiseks 20 sekundit seista.
 - b) Ärge kuumutage mikrolaineahjus koorega tooreid mune, kõvaks keedetud mune, veesisaldusega rasva või õli ja suletud klaasanumaid, kuna nad võivad plahvatada isegi pärast kuumutamise lõppu. Kartulid, viinerid või kastanid tuleb enne ahju panemist koorida või läbi torgata.
 - c) Mikrolaineahjus jookide kuumutamine võib põhjustada viivitusega keemise, millega peab arvestama mahuti hoidmisel.
 - d) Imikupudelite sisu ja laste toitu peab enne serveerimist segama või raputama ja nende temperatuuri peab põletuste ärahoidmiseks enne kasutamist kontrollima.
12. Pärast kuumutamist on mahutid väga kuumad. Kasutage alati potihoidikuid. Hoiduge kuuma auruga kokkupuutumisest põhjustatud käte ja näo põletusi.
 13. Alati tõstke üles kaane või toidukile kõige kaugem serv. Avage röstitud maisiterade kotid või küpsetuskotid näost piisavalt eemal.
 14. Pöördaluse kaitsmine purunemise eest:
 - a) Enne puhastamist laske pöördalusel maha jahtuda.
 - b) Ärge asetage külmale pöördalusele kuuma toitu või mahuteid.
 - c) Ärge asetage kuumale pöördalusele külmutatud toitu või külmi mahuteid.
 15. Veenduge, et mahutid ei puuduta kuumutamise käigus ahju siseseinu.
 16. Ärge hoidke mikrolaineahjus toiduaineid ega muid esemeid. Kui pikselöök tabab elektrivõrku, siis võib ahi sisse lülituda.
 17. Ärge kasutage ahju, kui selles ei ole toitu või vedelikke. See võib mikrolaineahju kahjustada. Ärge blokeerige või takistage ahju õhutusavasid.
 18. Kasutage ainult tootja poolt soovitatud tarvikuid, vastasel juhul võib garantii kaotada kehtivuse.
 19. Kasutage mikrolaineahju ainult vastavalt selle kasutusjuhendi juhistele. Mikrolaineahi on ettenähtud kasutamiseks ainult koduses majapidamises.

Valmistaja ei vastuta seadme mittenõuetekohasest kasutamisest põhjustatud kahjustuste eest.

20. Mikrolaineahi on ettenähtud toiduainete või jookide kuumutamiseks. Toiduainete või riiete kuivatamine või soojenduskohtide, susside, pesemiskäsnaade, niiskete lappide ja muu sarnase kuumutamine võib põhjustada vigastus, süttimise või tulekahju.
21. See seade on ettenähtud kasutamiseks ainult kodusel majapidamises ja muudes sarnastes kohtades, nagu näiteks:
- kaupluste, büroode ja teiste töökohtade kööginurgad;
 - põllumajandusettevõtted;
 - hotellid, motellid ja muud ööbimiskohad;
 - majutuskohad.
22. Seda seadet võivad kasutada 8 aastased ja vanemad lapsed, vähenenud füüsiliste või vaimsete võimetega või ebapiisavate teadmistega või kogemustega isikud tingimusel, et nad on järelevalve all ning neile on selgitatud seadme ohutut kasutamist ning nad on teadlikud potentsiaalsetest riskidest. Ärge lubage lastel seadmega mängida. Puhastamis- ja hooldustoiminguid ei ole lubatud teostada alla 8-aastastel ja järelevalveta lastel.

Vältige sattumist mikrolaine energia mõjualasse

1. Ärge üritage kasutada avatud uksega mikrolaineahju. See võib põhjustada kokkupuute ohtliku mikrolainekiirgusega. Ärge üritage purustada mikrolaine ukse ohutuslukke.
2. Ärge sisestage ahjuukse vahele kõrvalisi esemeid. Veenduge, et mustus ja puhatusaine jäägid ei jääks ukse tihendile ja tihenduspiirkondadele.
3. Ärge kasutage kahjustatud ahju. On oluline, et ahju uks oleks pärast sulgemist tihedalt suletud ning kahjustamata.

Ahju uksele tekitatud kahjustuste näited:

- a) Ahju ukse MÖLKIMINE.
- b) Lahtised või purunenud ukse HINGED või OHUTUSPIIRDED.
- c) AHJUUKSE TIHEND VÕI TIHENDUSALAD KORPUSEL.

Mikrolaineahju reguleerimisi ja remonte on lubatud teostada ainult spetsialistil.

4. Ahju sisemuses tulekahju ohu vähendamiseks on vajalik pidev järelevalve, nagu ka enamike küpsetusseadmete korral.

Tulekahju korral:

1. Äрге avage ahju ust.
2. Lülitage ahi välja ning ühendage lahti toitevõrgust.
3. Lülitage välja peatoitelüliti.

PUHASTAMINE

Enne puhastamist ühendage mikrolaineahi toitevõrgust lahti.

1. Ahju sisemuse puhastamiseks kasutage niisket lappi.
2. Puhastage tarvikuid seebiveega.
3. Määrduvad ukseraam, tihendid ja piirnevad osad tuleb põhjalikult puhastada pesemisvahendis niisutatud lapiga ja pühkida kuivaks.

Mikrolaineahi peab olema maandatud. Pistik peab olema ühendatud ainult nõuetekohaselt maandatud pistikupessa.

Elektripaigaldisega seotud kahtluse korral või ahju talitushäirete korral võtke ühendust elektrikuga või hooldustehnikuga.

1. Elektrijuhtme vastu komistamise ärahoidmiseks on mikrolaineahi varustatud lühikese toitejuhtmega.
2. Pikad pikendusjuhtmed peavad vastama alljärgnevatele nõuetele:
 - a) Pikenduskaabli ja seinakontakti lubatud elektrikoormused peavad vastama mikrolaineahju vastavatele väärtustele.
 - b) Pikenduskaabel peab olema kolme-sooneline ja pistik ja seinakontakt peavad olema varustatud maanduskontaktiga.
 - c) Kaabel peab olema varjatud nii, et see ei ripuks üle köögi töötasapinna ning et lapsed ei saaks kaabli taha komistada või seda tõmmata.

KÖÖGIRIISTAD JA NÕUD

HOIATUS

Vigastuse risk

Kasutage ainult mikrolaineahjus kasutamiseks ettenähtud mahuteid. Tihedalt suletud mahutid võivad kuumutamisel plahvatada. Enne toiduvalmistamist tuleb suletud mahutid avada ja plastipakendid tuleb läbi torgata. Kasutage ainult mikrolaineahjus kasutamiseks lubatud materjale. Mõningaid

mitmet metallist materjale ei saa ohutuse huvides mikrolaineahjus kasutada. Kui te ei ole materjali mikrolaineahjus ohutus kasutamises kindel, siis toimige alljärgnevalt:

Mahuti kontrollimine:

1. Täitke mikrolaineahjus kasutatav kööginõu külma veega (250 ml).
2. Kuumutage maksimaalse võimsuse juures 1 minuti jooksul.
3. Kontrollige ettevaatlikult katsemahuti temperatuuri. Kui kontrollitav nõu on soe, siis ärge kasutage seda mikrolaineahjus toidu valmistamiseks.
4. Ärge kuumutage üle 1 minuti.

OHT lastele: Ärge lubage lastel pakkematerjalidega mängida. Ärge lubage lastel mängida plastkottidega. Lämmumise oht.



Pealispind on kuum!

Materjalid, mida saab kasutada mikrolaineahjus toidu valmistamisel

Mahutid	Märkused
Küpsetusvormid	Järgige tootja juhiseid. Küpsetusnõu põhi peab olema vähemalt 5 mm kaugusel pöördalusest. Mittenõuetekohane käitlemine võib põhjustada pöördaluse pragunemise.
Taldrikud	Kasutage ainult mikrolaineahjus kasutamiseks ettenähtud lauanõusid. Järgige tootja juhiseid. Ärge kasutage pragunenud või muul viisil kahjustatud kausse.
Klaasist purgid ja kannud	Eemaldage alati kaas. Kasutage ainult toidu soojendamiseks. Ärge küpsetage! Enamik klaaspurke ja klaase ei talu kõrgeid temperatuure ja võivad puruneda.
Klaasist küpsetusnõud	Kasutage ainult kuumuskindlaid küpsetusnõusid. Veenduge, et kaussidel ei ole metallservi ega muid metallist detaile. Ärge kasutage pragunenud või muul viisil kahjustatud kausse.
Küpsetuskotid	Järgige tootja juhiseid. Ärge sulgege metallklambritega. Kuuma auru väljalaskmiseks jätke küpsetuskotid veidi avatuks.
Paberist küpsetusvormid	Sobivad ainult soojendamiseks või lühiajaliseks toiduvalmistamiseks. Ärge jätke mikrolaineahju küpsetamise ajal järelevalveta.
Paberrätikud	Kasutage nõude katmiseks ja lahustunud rasva eemaldamiseks. Kasutage ainult lühiajaliseks toiduvalmistamiseks. Ärge jätke mikrolaineahju küpsetamise ajal järelevalveta.
Küpsetuspaber	Kasutage toiduainete katmiseks, toiduainete pakendamiseks hautamise ajal ja ahju kaitsmiseks pritsmete eest.
Plastikmaterjalid	Kasutage ainult mikrolaineahjus kasutamiseks ettenähtud lauanõusid. Järgige tootja juhiseid. Mikrolaineahjus kasutamiseks ettenähtud plastmaterjalid peavad olema spetsiaalse tähistusega: "Sobib kasutamiseks mikrolaineahjus." Mõningad plastikud võivad kõrgete temperatuuride pikaajalisel mõjul pehmeks muutuda. "Küpsetuskotid" ja küpsetuspakendid peavad olema vastavalt toiduainete tootja juhistele läbilõigatud, läbitorgatud või muul viisil avatud.
Plastikust pakkekiled	Kasutage ainult mikrolaineahjus kasutamiseks ettenähtud lauanõusid. Kasutage toiduainete katmiseks ja niiskuse säilitamiseks toiduvalmistamise ajal. Veenduge, et kile ei puutu kokku valmistatava toiduainega.

Mahutid	Märkused
Termomeetrid	Kasutage ainult mikrolaineahjus kasutamiseks ettenähtud termomeetreid. (Liha, pagaritoodete ja küpsiste termomeetrid)
Vahapaber	Kasutage toiduainete katmiseks, pritsmete ärahoidmiseks ja niiskuse säilitamiseks toiduvalmistamise ajal.

Materjalid, mida ei saa kasutada mikrolaineahjus toidu valmistamisel

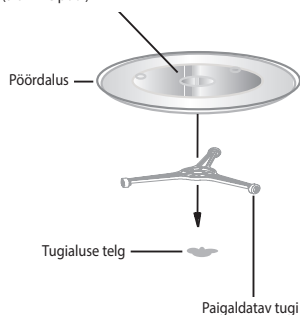
Köögiriistad ja nõud	Märkused
Alumiiniumist alused ja taldrikud	Paindumise oht. Asetage toiduained mikrolaineahjus kasutamiseks sobivasse nõusse.
Toiduainete metallkäepidemega pappkarbid.	Paindumise oht. Asetage toiduained mikrolaineahjus kasutamiseks sobivasse nõusse.
Metallnõud ja metalldetailidega nõud	Metall takistab mikrolainete läbitungimist. Metallpiirded võivad painduda.
Suletud traatrõngad	See võib põhjustada ahju deformatsiooni ja tulekahju.
Paberkotid	Tulekahju risk. Tulekahju oht mikrolaineahju sees.
Vahtplastmaterjalid	Kõrgete temperatuuride tõttu võib vahtplast lahustuda ja rikkuda toidu.
Puit	Puit kuivab ja võib toiduvalmistamise ajal puruneda.

Mikrolaineahjus grillimiseks ja toiduvalmistamiseks kasutatavad materjalid

Materjal	Mikrolaineahjus toiduvalmistamine	Grillimine	Kombinatsioon
Pyrex-klaas	Jah	Jah	Jah
Tavaline klaas	Ei	Ei	Ei
Küpsetamiseks ettenähtud keraamika	Jah	Jah	Jah
Mikrolaineahjus kasutamiseks ettenähtud plastknõud	Jah	Ei	Ei
Küpsetuspaber	Jah	Ei	Ei
Metallalus	Ei	Jah	Ei
Metallplaat, küpsetusplaat	Ei	Jah	Ei
Alumiiniumfoolium	Ei	Jah	Ei

PÖÖRDALUSE PAIGALDAMINE

Äär (alumine pool)



1. Ärge paigutage pöördalust kummuli. Pöördalus peab alati vabalt pöörlema.
2. Ärge kasutage ahju ilma pöördalusega ja ilma klaasalusega.
3. Kõik toiduained ja toiduainetega nõud tuleb alati paigutada klaasalusele.
4. Klaasaluse või pöördaluse purunemisel pöörduge oma lähimasse volitatud teeninduskeskusesse.

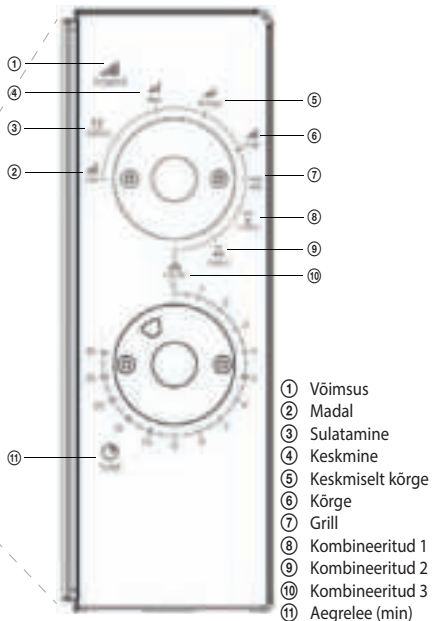
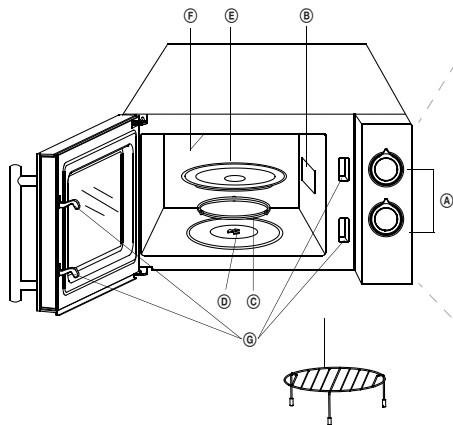
MIKROLAINEAHJU PAIGALDAMINE

Osad ja funktsioonid

Pakkige mikrolaineahi ja kõik tarvikud lahti.

Ahju komplekti kuuluvad alljärgnevad tarvikud:

Klaasalus	1
Paigaldatud tugi	1
Kasutusjuhend	1



- | | |
|--------------------|--|
| (A) Juhtpaneel | (F) Grill |
| (B) Lainesuunaja | (G) Turvaluku süsteem
(Lülitab toite välja, kui toiduvalmistamise ajal avada uks) |
| (C) Tugi | |
| (D) Tugialuse telg | |
| (E) Pöördalus | |

- | |
|----------------------|
| (1) Võimsus |
| (2) Madal |
| (3) Sulatamine |
| (4) Keskmine |
| (5) Keskmiselt kõrge |
| (6) Kõrge |
| (7) Grill |
| (8) Kombineeritud 1 |
| (9) Kombineeritud 2 |
| (10) Kombineeritud 3 |
| (11) Aegrelee (min) |

PAIGALDAMINE

Eemaldage kõik pakkematerjalid.

Kontrollige, et ahi ei ole kahjustatud (uks on mõlks või kahjustatud, jne). Ärge paigaldage kahjustatud mikrolaineahju.

Köögi töötasapind

Ahju korpus: Eemaldage ahju pinnalt kõik kaitsekiled.

Ärge eemaldage ahju seest helepruuni kilet. See kile kaitseb magnetroni.

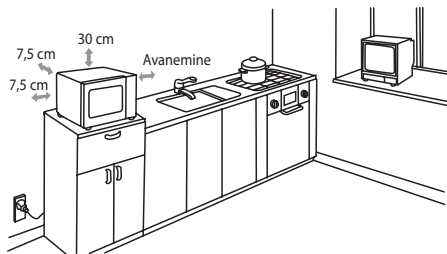
Paigaldamine

1. Asetage ahi tasasele pinnale, kus on piisavalt ruumi väljalaskevade nõuetekohaseks toimimiseks.

Vahemaa seina ja ahju vahel peab olema vähemalt 7,5 cm.

Vähemalt ühel poolel peab olema avatud ruum.

- a) Jätke ahju kohale vähemalt 30 cm avatud ruum.
- b) Ärge eemaldage ahju tugialuseid.
- c) Ärge blokeerige õhutusavasid. See võib põhjustada ahju kahjustamist.
- d) Asetage ahi võimalikult kaugemale raadiost või telerist. Mikrolaineahi võib põhjustada tv-ja raadiosignaali häireid.



2. Ühendage mikrolaineahi standardse toitevõrguga. Veenduge, et ahju andmesildil näidatud pinge ja sagedus ühtib toitevõrgu pinge ja sagedusega.

TÄHELEPANU: Ärge paigutage ahju pliidiplaatide kohale, nende lähedale või kütteseadmete lähedale. Ahju paigutamine kütteseadmete lähedale võib põhjustada ahju kahjustamist ja garantii kehtetuks muutumise. Mikrolaineahi on ettenähtud kasutamiseks avatud ruumis ja seade ei tohi paigutada kappi.

Mikrolaineahju pealispid võib töötamise ajal kuumeneda.



Juhtpaneel ja funktsioonid

1. Seadistage ahju võimsuse tase (Võimsus) lüliti abil soovitud asendisse.
2. Sõltuvalt valmistatava toiduaine tüübist seadistage toiduvalmistamise kestus aegrelee (Aeg) abil soovitud ajavahemikule (maksimaalselt 30 minutit).
3. Mikrolaineahi käivitub automaatselt pärast toiduvalmistamise võimsuse ja kestuse seadistamist.
4. Ahi peatab toiduvalmise pärast seadistatud aja möödumist.
5. Ahju mittekasutamisel jätke aegrelee „0“ asendisse.

Märkus: Alla kahe minuti pikkuse toiduvalmistusaja valimiseks pöörake juhtlülitit üle 2 minuti märgi ja seejärel pöörake tagasi soovitud väärtuseni.

Mikrolaine abil kuumutamine

Mikrolainekeemutuseks on ettenähtud viis võimsustaset, mis sobivad hästi soovitud eesmärkide saavutamiseks. Võimsus suureneb juhtlülit pööramisel paremale. Võimsustasemed on alljärgnevad:

Väljundivõimsus	Kirjeldus
100 %	KÕRGE
81%	KESKMISELT KÕRGE
58%	KESKMINE
36%	SULATAMINE
18%	MADAL

Grillimine

Juhtlülit pööramine päripäeva, mikrolaine võimsuse kõige kõrgemale tasemele (GRILL asend[Ⓢ]) lülitab sisse grillimise režiimi, mis on eriti sobiv õhukeste lihaliikude, praelõikude, kotletite, kebaabide, vorstide või kanatükikide grillimiseks. See režiim sobib ka kuumade võileibade ja täisterarogade valmistamiseks.

Kombineeritud režiim

Nagu ütleb nimi, kombineerib see režiim mikrolainekeemutuse grillimisega. See režiim on kolme võimsustasemega, mis kombineerib endas mikrolainekeemutuse ja grillimise erinevaid võimsustasemeid. Tasemed on näidatud alljärgnevas tabelis. Kombineeritud režiim on eriti sobiv teatud toiduainete liikidele. See aitab ka saavutada krõbedust.

Alljärgnevas tabelis on kirjeldatud kombineeritud režiimi 3 erinevat seadistust.

Programm	Mikrolaine abil kuumutamine	Grillimine	Sobib
Kombineeritud 1	30%	70%	Kala, kartulid, täisteraroad
Kombineeritud 2	49%	51%	Puding, omletid, küpsetatud kartulid
Kombineeritud 3	67%	33%	Kodulinnuliha

VEAOTSING

Üldised probleemid	
Mikrolaineahi segab televiisorit.	Mikrolaineahju töötamine võib põhjustada häireid raadio ja teleri töötamisele. See on sarnane väiksemate elektriseadmete, nagu näiteks mikseri, tolmuimeja ja ventilatori poolt põhjustatud häiretele.
Ahjus olev valgustus on tuhm.	Madala seadistatud võimsuse korral võib ahju valgustus olla tuhm.
Mikrolaineahju uksele koguneb aur, õhuavadest eraldub kuum õhku.	Toiduvalmistamise ajal eraldub toiduainetest auru. Enamik auru väljub väljalaskeavade kaudu, kuid mõningane kogus võib koguneda jahedamasse kohta, nagu näiteks ukse ümbrus. See on normaalne.
Ahi on esikombel sisse lülitatud tühjalt.	Ärge kasutage ahju tühjalt. See on väga ohtlik.

Probleem	Võimalik põhjus	Abinõu
Ahi ei käivitu.	(1) Toitejuhe ei ole nõuetekohaselt ühendatud.	Ühendage toitejuhe toitevõrgust lahti. Umbes 10 sekundi pärast ühendage toitekaabel uuesti toitevõrguga.
	(2) Sulavkaitse on läbi põlenud või kaitselüliti on välja lülitatud.	Asendage sulavkaitse või lähtestage kaitselüliti (kaitselüliti on lubatud remontida ainult meie ettevõtte hooldustehnikul).
	(3) Probleem pistikupesaga.	Proovige ühendada pistikupesaga muu elektriseade.
Ahi ei soojene.	(4) Uks ei ole nõuetekohaselt suletud.	Sulgege uks nõuetekohaselt.
Pöördalus tekitab mikrolaineahju töötamise ajal müra.	(5) Pöördalus ja ahju põhi on määrdunud.	Puhastage vastavalt „Puhastamine“ peatüki juhiste.

TEHNILISED ANDMED

Maht:	20 l	Nimipinge:	230–240 V~ 50 Hz
Võimsus:	700 W	Nimivõimsus:	1 200 W
Aegreele:	30 minutit	Töösagedus:	2,450 MHz
Võimsuse seadistamine:	5 taset	Müratase:	55 dB
Pöördalus:	Ø 245 mm	Grill:	900 W
Kaal:	11,3 kg		
Mõõdud:	452 × 262 × 364 mm		
Sisemõõdud:	315 × 198 × 297 mm		

KASUTAMINE JA KASUTUSEST KÕRVALDAMINE

Pakkepaber ja lainepapp – viige jäätmejaama. Pakkekiled, PE kotid, plastist osad – visake plasti utiliseerimiskonteineritesse.

TOOTE KASUTUSEST KÕRVALDAMINE TÖÖEA LÕPUS

Elektri- ja elektroonikaseadmete kasutusest kõrvaldamine (kehtib EL-i liikmesriikides ja teistes Euroopa riikides, kus rakendatakse ringlussevõtusüsteemi)

Näidatud sümbol tootel või pakendil tähendab, et toodet ei tohiks käidelda nagu olmejäätmeid. Viige toode elektri- ja elektroonikaseadmetele ettenähtud ringlussevõtupunkti. Vältige võimalikke negatiivseid mõjusid inimese tervisele ja keskkonnale, tagades oma tootele nõuetekohase ringlussevõtu. Ringlussevõtt aitab säilitada loodusvarasid. Lisateavet selle toote ringlussevõtu kohta saate oma kohalikust omavalitsusest, olmejäätmete käitlemise ettevõttest või poest, kust te toote ostsite.

See toode vastab Euroopa Liidu elektromagnetilise ühilduvuse ja elektriohutuse direktiivi nõuetele.

Kasutusjuhend on kättesaadav veebisaidil www.ecg-electro.eu.

Teksti ja tehniliste parameetrite muutmise õigused on kaitstud.



08/05



INSTRUCCIONES DE SEGURIDAD

¡Lea con atención y guarde para un uso futuro!

Advertencia: Las medidas e instrucciones de seguridad incluidas en este manual no cubren todas las condiciones y situaciones posibles. El usuario debe comprender que el sentido común, la precaución y el cuidado son factores que no pueden ser incorporados en ningún producto. Por lo tanto, estos factores deben ser garantizados por el/los usuario(s) que usa(n) y opera(n) este artefacto. No somos responsables por daños causados durante el envío, por el uso incorrecto, variaciones del voltaje, ni modificación o ajuste de cualquier parte del artefacto.

Para proteger contra riesgo de incendio o descarga eléctrica, debe tomar precauciones básicas mientras usa los artefactos eléctricos, incluso lo siguiente:

1. Asegúrese de que el voltaje en su tomacorriente corresponda con el voltaje indicado en la etiqueta del dispositivo y de que el tomacorriente tenga la correspondiente descarga a tierra. El tomacorriente eléctrico debe ser instalado de acuerdo con los códigos eléctricos aplicables según los estándares europeos (EN).
2. No use el horno si la puerta está dañada, no funciona en forma apropiada o si su cable de alimentación está dañado.

ADVERTENCIA: Es peligroso que cualquier persona que no esté capacitada realice reparaciones o tareas de mantenimiento para retirar cualquier cubierta que proporcione protección contra la radiación de microondas.

¡Todas las reparaciones o ajustes, incluso los reemplazos de cable, deben ser realizados por un taller de reparaciones autorizado! Antes de realizar cualquier reparación, el enchufe debe ser retirado del tomacorriente. ¡Si retiran las cubiertas con la energía conectada, el técnico en microondas podría quedar expuesto a energía de microondas y a una descarga eléctrica!

3. Proteja el artefacto del contacto directo con agua u otros líquidos para evitar una posible descarga eléctrica. ¡No sumerja el cable ni el enchufe en agua!

4. No use el horno microondas al aire libre ni en un ambiente húmedo, ni tampoco toque el cable de alimentación ni el artefacto con las manos mojadas. Riesgo de descarga eléctrica.
5. Preste especial atención cuando usa el horno cerca de niños.
6. No deje el horno microondas en funcionamiento y sin supervisión.
7. Recomendamos no dejar el horno enchufado sin supervisión. Desconecte el cable del tomacorriente antes de realizar cualquier mantenimiento. No desenchufe el cable del tomacorriente tirando del mismo. Desenchufe el cable de alimentación del tomacorriente sujetando el enchufe.
8. No use el microondas cerca de una fuente de calor, como un plato caliente. Proteja el artefacto de la luz solar directa.
9. No permita que el cable de alimentación toque superficies calientes ni que se ubique sobre bordes afilados.
10. Evite incendios dentro del horno haciendo lo siguiente:
 - a) No sobrecaliente los alimentos.
 - b) Quite cualquier grampa antes de colocar las bolsas de papel o plástico en el horno.
 - c) No caliente el aceite ni grasas en el horno, ya que no se puede regular la temperatura del aceite. No fría alimentos dentro del horno. El aceite caliente puede dañar partes del horno y los utensilios de cocina y también causar quemaduras.
 - d) Después de usar, limpie la puerta, el sello de la puerta y el interior del horno con un paño sumergido en una solución de detergente y seque. Esto elimina la suciedad, la grasa y los residuos de alimentos.

ADVERTENCIA: Si la puerta o el sello de la puerta están dañados, no se debe usar el horno hasta que sea reparado por una persona capacitada. El horno se debe limpiar en forma apropiada y se debe eliminar cualquier residuo de comida. El hecho de no mantener el horno limpio podría resultar en daños a la superficie, afectar en forma adversa la vida útil del artefacto y resultar en una situación peligrosa. La grasa acumulada puede sobrecalentarse y provocar un incendio.

No use agentes limpiadores abrasivos.

No limpie el artefacto con un agente limpiador con vapor.

- e) Si los alimentos cocinados dentro del horno comienzan a emitir humo o se encienden, deje la puerta del horno cerrada, apáguelo y saque el enchufe de la fuente de alimentación del tomacorriente para evitar que un incendio se propague.
 - f) Cuando se usen plástico, papel u otro material combustible desechable no deje el horno sin supervisión para evitar incendios.
11. Limite el riesgo de explosión o ebullición repentina teniendo en cuenta lo siguiente:

ADVERTENCIA: No se deben calentar líquidos ni otros alimentos en recipientes herméticos cerrados dado que podrían explotar. Los recipientes cerrados también incluyen biberones para bebés con una tapa a rosca o con una tetina.

- a) Use un recipiente de boca ancha para calentar líquidos y permita que reposen durante 20 segundos luego de calentarlos para evitar una ebullición eruptiva.
- b) Los huevos con cáscara y huevos duros, el agua con grasa o aceite y los recipientes de vidrio cerrados no deben ser calentados en el horno microondas, ya que pueden explotar incluso después de que terminó de calentar. Las papas, embutidos o castañas deben ser pelados o picados antes de insertarlos en el microondas.

El hecho de calentar bebidas en el microonda puede causar una ebullición retardada, y esto debe ser tenido en cuenta al agarrar el recipiente.

El contenido de los biberones y los alimentos para bebés deben ser mezclados o sacudidos antes de ser administrados y se debe verificar su temperatura antes de consumirlos para evitar quemaduras.

12. Los recipientes están muy calientes luego de ser calentados. Use agarraderas para retirarlos. Tenga presente que el vapor caliente puede provocar quemaduras en el rostro y en las manos.
13. Siempre levante el borde más alejado de la tapa o del envoltorio del alimento. Abra las bolsas de palomitas de maíz y las bolsas para hornear a una distancia suficiente de su rostro.
14. Proteja el plato giratorio de las roturas:
- a) Deje que el plato giratorio se enfríe antes de limpiarlo.

b) No coloque alimentos ni recipientes calientes sobre un plato giratorio frío.

c) No coloque alimentos congelados ni recipientes fríos sobre un plato giratorio caliente.

15. Asegúrese de que los recipientes no toquen las paredes internas del horno durante el proceso de calentamiento.

16. No almacene alimentos ni otros objetos dentro del horno. Si la red de alimentación de energía es golpeada por un rayo, el horno podría encenderse.

17. No use el horno si no tiene dentro alimentos o bebidas. Esto puede causar daños al horno. No bloquee ni obstruya las aberturas de ventilación del horno.

18. Solo use los accesorios aconsejados por el fabricante, de lo contrario corre el riesgo de anular la garantía.

19. Use el horno microondas solo de acuerdo con las instrucciones en este manual. Este horno microondas está diseñado solo para uso doméstico. El fabricante no es responsable por daños causados por el uso inapropiado de este artefacto.

20. El horno microondas está diseñado para calentar alimentos y bebidas. Si seca alimentos o prendas de vestir o calienta paños calentadores, pantuflas, esponjas para lavar, telas empapadas o productos similares, puede causar una lesión o un incendio.

21. Este artefacto fue diseñado para uso doméstico y para ubicaciones similares, como:

- cocinas pequeñas en tiendas, oficinas y otros lugares de trabajo
- artefactos usados en la agricultura;
- artefactos usados por huéspedes en hoteles, moteles y otras áreas residenciales;
- artefactos usados en establecimientos de bed and breakfast.

22. Este artefacto puede ser usado por niños mayores de 8 años y por personas con capacidades físicas o mentales reducidas, o que carezcan de experiencia o conocimientos, si se las supervisa o instruye con respecto al uso del artefacto en forma segura y comprenden los peligros de un uso inadecuado. Los niños no deben jugar con el artefacto. Los niños no deben

realizar limpieza ni mantenimiento, a menos que sean mayores de 8 años y estén supervisados.

No se exponga a excesiva energía de microondas

1. No trate de hacer funcionar el horno microondas si la puerta está abierta. Al hacerlo, puede quedar expuesto a energía nociva de microondas. No intente romper ni bloquear las trabas de seguridad en la puerta del horno.
2. No coloque objetos extraños entre la puerta del horno. Asegúrese de que no haya suciedad ni restos de limpiadores en el sello de la puerta del horno y superficies de sellado.
3. No use el horno si está dañado. Es necesario que la puerta del horno esté sellada luego de cerrar y que no esté dañada.

Ejemplos de daño causados a la puerta del horno:

- a) ABOLLADURAS en la puerta del horno.
- b) BISAGRAS o PROTECTORES flojos o rotos de la puerta.
- c) SELLO DE LA PUERTA DEL HORNO O ÁREAS DE SELLADO EN LA CABEZA DEL MARCO.

Los ajustes o reparaciones al horno microondas deben ser realizados solo por una persona calificada.

4. Como con la mayoría de los dispositivos para hornear, es necesaria una supervisión estricta para reducir el riesgo de incendio en el interior del horno.

Si ocurre un incendio:

1. No abra la puerta del horno.
2. Apague el horno y desenchúfelo.
3. Apague el interruptor principal de energía.

LIMPIEZA

Asegúrese de haber desenchufado el horno del tomacorriente desconectando el enchufe del tomacorriente.

1. Use un paño húmedo para limpiar dentro del horno.
2. Limpie los accesorios como lo hace normalmente con agua jabonosa.
3. El marco de la puerta, el sello y las partes circundantes sucios deben ser limpiados cuidadosamente usando un paño húmedo empapado en detergente lavavajillas y secados.

Este artefacto debe ser puesto a tierra. El enchufe debe ser conectado solamente a un tomacorriente apropiadamente puesto a tierra.

Si tiene cualquier duda con respecto a la instalación eléctrica o si existen problemas de funcionamiento del horno comuníquese con un electricista calificado o técnico en reparaciones.

1. El horno microondas está equipado con un cable corto para reducir el riesgo de tropezos o enredos.
2. Los cables prolongadores largos deben cumplir con los siguientes requisitos:
 - a) Con respecto a las cargas eléctricas permitidas, los valores nominales del cable prolongador y el tomacorriente deben cumplir con los valores nominales del horno microondas.
 - b) El cable prolongador debe ser de alambre triple y el enchufe y el tomacorriente deben estar equipados con una clavija de puesta a tierra.
 - c) El cable debe ser ocultado bien de manera que no cuelgue innecesariamente de la mesa de trabajo de la cocina y así evitar que los niños se tropiecen con él o que tiren de él.

UTENSILIOS Y VAJILLA

PRECAUCIÓN

Riesgo de lesión

Use solamente recipientes que sean apropiados para hornos microondas. Los recipientes cerrados herméticamente pueden explotar al ser calentados. Se deben abrir los recipientes cerrados antes de cocinar y se deben pinchar las bolsas de plástico, consulte Materiales que se pueden usar para cocinar en un horno microondas. Hay algunos materiales no metálicos que no pueden ser usados en forma segura para cocinar en un horno microondas. Si no está seguro si puede usar un material en forma segura para cocinar en un horno microondas, haga lo siguiente:

Pruebe el recipiente:

1. Llene el plato destinado a la cocción en el horno microondas con agua fría (250 ml).
2. Caliente durante 1 minuto en la potencia máxima de cocción.

3. Controle cuidadosamente el recipiente que está probando. Si el plato probado está tibio, no lo use para cocinar en el horno microondas.
4. No cocine durante más de 1 minuto.

PELIGRO para los niños: Los niños no deben jugar con el material de empaque. No permita que los niños jueguen con las bolsas plásticas. Riesgo de sofocación.



¡Superficie caliente!

Materiales que pueden usar para cocinar en un horno microondas

Recipientes	Notas
Bandejas para hornear	Siga las instrucciones del fabricante. La parte inferior del envase para hornear debe estar al menos 5 mm por encima del plato giratorio. Una manipulación inapropiada puede causar la rotura del plato giratorio.
Platos	Use solamente platos y vajilla diseñados para ser usados en horno de microondas. Siga las instrucciones del fabricante. No use boles rajados o dañados.
Vasos y jarros de vidrio	Siempre quite la tapa. Solo caliente los alimentos. ¡No los cocine! La mayoría de las jarras y vasos de vidrio no soportan las temperaturas elevadas y pueden romperse.
Recipientes para hornear de vidrio	Use solamente vajilla de vidrio para hornear resistente a temperaturas elevadas. Controle que el bol no tenga un borde metálico ni ningún otro objeto de metal. No use boles rajados o dañados.
Bolsas para hornear	Siga las instrucciones del fabricante. No cierre usando sujetadores metálicos. Deje la bolsa apenas abierta para permitir que el vapor caliente salga libremente.
Bandejas de papel	Apropiadas solo para calentar o para cocinar durante períodos cortos. No deje el horno sin supervisión mientras está cocinando.
Toallas de papel	Use para cubrir los platos y quitar la grasa disuelta. Use solamente para cocción a corto plazo. No deje sin supervisión mientras está cocinando.
Papel manteca	Use para cubrir alimentos, para empaquetar alimentos mientras los guisa, y para evitar que el horno quede rociado.
Material plástico	Use solamente platos y vajilla diseñados para ser usados en horno de microondas. Siga las instrucciones del fabricante. El material plástico apropiado para ser usado en horno microondas debe tener una etiqueta específica: «Apropiado para hornos microondas». Algunos plásticos pueden ablandarse después de una exposición prolongada a temperaturas elevadas. Se deben cortar, pinchar, o ventilar de alguna manera las «bolsas de cocción» y las bolsas de horneado según las instrucciones del fabricante de los alimentos.
Envoltorios plásticos	Use solamente platos y vajilla diseñados para ser usados en horno de microondas. Use para cubrir alimentos y conservar la humedad durante la cocción. Asegúrese de que el envoltorio de plástico no toque el alimento que está siendo preparado.
Termómetros	Use solamente termómetros que sean apropiados para hornos microondas. (Termómetros para carne, productos de pastelería y galletas).
Papel encerado	Use para cubrir alimentos, para evitar salpicaduras en el horno y para conservar la humedad durante la cocción.

Materiales que no deben ser usados para cocinar en el horno microondas

Utensilios y vajilla	Notas
Bandejas y platos de aluminio	Riesgo de doblarse. Mueva el alimento a un plato apropiado para cocinar en el horno microondas.
Cajas de papel y cartón con manijas metálicas	Riesgo de doblarse. Mueva el alimento a un plato apropiado para cocinar en el horno microondas.
Vajilla de metal o con accesorios metálicos	El metal impide que la energía microondas penetre. Los bordes metálicos pueden doblarse.
Anillos de alambre para cerrar	Existe peligro de distorsión e incendio dentro del horno.
Bolsas de papel	Riesgo de prenderse fuego. Peligro de incendio dentro del horno.
Material de espuma plástica	Debido a las altas temperaturas, la espuma plástica puede disolverse y degradar los alimentos.
Madera	La madera se seca y puede romperse durante la cocción.

Uso de materiales para asar a la parrilla y cocinar en el horno microondas

Material	Cocción en microondas	Parrilla	Combinación
Vidrio Pyrex	Sí	Sí	Sí
Vidrio común	No	No	No
Cerámica destinados para hornear	Sí	Sí	Sí
Vajilla plástica para microondas	Sí	No	No
Papel para hornear	Sí	No	No
Estante metálico	No	Sí	No
Placa y bandeja metálica	No	Sí	No
Papel de aluminio	No	Sí	No

INSTALACIÓN DEL PLATO GIRATORIO

Conector (parte de abajo)



1. No deje el plato giratorio puesto al revés. El plato giratorio siempre debe girar libremente.
2. No use el horno sin el aro giratorio y el plato de vidrio.
3. Todos los alimentos y la vajilla con alimentos deben ser colocados siempre sobre el plato de vidrio.
4. Si el plato de vidrio se rompe o el aro giratorio está dañado, comuníquese con el taller de reparaciones autorizado más cercano.

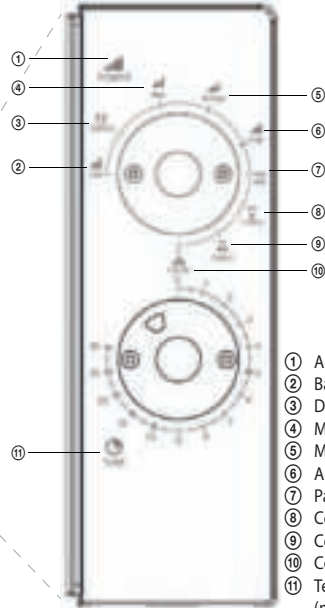
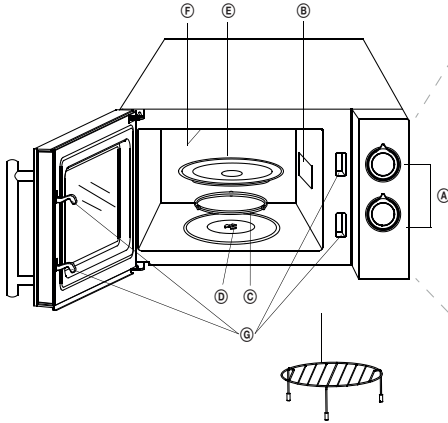
INSTALACIÓN DEL HORNO MICROONDAS

Partes y características

Desempaque el horno y todos los accesorios.

El horno viene con los siguientes accesorios:

- Bandeja de vidrio 1
- Soporte montado 1
- Manual de operaciones 1



- (A) Panel de control
- (B) Guía de ondas
- (C) Soporte
- (D) Eje de soporte
- (E) Plato giratorio
- (F) Parrilla
- (G) Sistema de traba de seguridad
(Corta la energía eléctrica si se abre la puerta durante la cocción).

- ① Alimentación
- ② Bajo
- ③ Descongelado
- ④ Medio
- ⑤ Medio alto
- ⑥ Alto
- ⑦ Parrilla
- ⑧ Combi. 1
- ⑨ Combi. 2
- ⑩ Combi. 3
- ⑪ Temporizador (min)

INSTALACIÓN

Quite todo el material de empaque y todos los accesorios.

Verifique que el horno no esté dañado (puerta abollada o dañada, etc.). No instale el horno microondas si está dañado.

Mesa de trabajo de la cocina

Cuerpo del horno: Saque todas las láminas protectoras de la superficie del horno.

No saque la lámina color marrón claro que está atornillada al interior del horno. Esta lámina protege el magnetrón del horno.

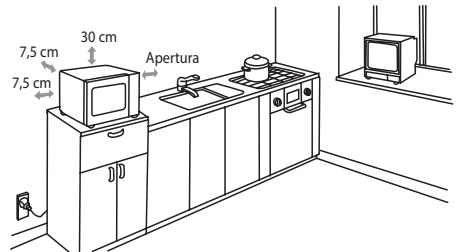
Instalación

1. Coloque el horno sobre una superficie plana con suficiente espacio alrededor del artefacto para garantizar el funcionamiento apropiado de las rejillas de ventilación.

La distancia mínima entre el horno y la pared más cerca debe ser de al menos 7.5 cm.

Al menos uno de los costados debe estar libre.

- a) Deje al menos 30 cm de espacio encima del horno.
- b) No quite las patas del horno.
- c) No bloquee las rejillas de ventilación. Podría dañar el horno.
- d) Coloque el horno lo más lejos posible de cualquier señal de televisión o radio. Un horno microondas puede causar interferencia a las señales de televisión y radio.



- Conecte el horno a la red eléctrica estándar. Asegúrese de que el voltaje y la frecuencia mencionados en la etiqueta del horno coincidan con el voltaje y la frecuencia en la red de alimentación.

ATENCIÓN: No instale el horno arriba de la perilla de cocción cerca de ella o cerca de otro equipo calentador. El hecho de colocar el horno cerca de un dispositivo calentador puede dañar el horno y anular la garantía. El horno microonda está diseñado para ser usado en un espacio abierto y no debe ser colocado en un gabinete.

La superficie del horno microondas puede calentarse durante el funcionamiento.



Panel de control y funciones

- Configure la potencia de cocción con el control (Power) en el nivel deseado.
- Según el tipo de alimento que se esté preparando, configure la duración de la cocción con el temporizador (Time) en el intervalo deseado (máximo 30 minutos).
- El microondas comenzará a funcionar automáticamente después de configurar la potencia de cocción y la duración.
- El horno interrumpirá la cocción después de que haya terminado la duración configurada.
- Coloque el temporizador en "0" si no usa el horno.

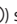
Nota: Para seleccionar el tiempo de cocción a menos de dos minutos, gire la perilla pasando los dos minutos y luego regréselo al tiempo deseado.

Calentamiento por microondas

Hay cinco niveles de potencia disponibles para calentar en microondas que se adaptan perfectamente a las tareas deseadas. La potencia aumenta cuando la perilla gira hacia la derecha. Los niveles de potencia se describen de la siguiente forma:

Potencia salida	Descripción
100 %	ALTO
81 %	ALTO MEDIO
58 %	MEDIO
36 %	DESCONGELADO
18 %	BAJO

Parrilla

Al girar la perilla hacia la derecha en el nivel más alto de potencia del microondas (posición GRILL ) se cambiará al modo parrilla, que es muy útil para trozos finos de carne, filetes, hamburguesas, brochetas, salchichas o trozos de pollo. Este modo también es adecuado para preparar sándwiches y platos de cereal integral calientes.

Modo combinado

Como su nombre lo indica, este modo de cocción combina calentamiento por microondas y parrilla. Este modo está disponible en tres niveles de potencia que combinan diferentes niveles de potencia para calentamiento por microondas y parrilla. Los niveles están descritos en el siguiente cuadro. El modo combinado es especialmente adecuado para determinados tipos de alimentos. Además, ayuda a lograr que los alimentos queden crujientes.

El siguiente cuadro describe las 3 configuraciones diferentes para el modo combinado.

Programa	Calentamiento por microondas	Parrilla	Adecuado para
Combi. 1	30 %	70 %	Pescado, papas, platos de cereal integral
Combi. 2	49 %	51 %	Budín, omelettes, papas horneadas
Combi. 3	67 %	33 %	Aves

SOLUCIÓN DE PROBLEMAS

Común	
El horno microondas interfiere con la recepción de la televisión.	El microondas puede interferir con la recepción de radio y televisión mientras funciona. Es similar a la interferencia de los artefactos eléctricos pequeños como batidoras, aspiradoras y ventiladores eléctricos.
La luz en el horno se atenúa.	La luz en el interior del horno puede atenuarse cuando se configura una potencia de cocción baja.
El vapor aparece en la puerta y sale aire caliente de las ventilaciones.	Los alimentos pueden emitir vapor durante la cocción. La mayor parte del vapor es liberado a través de las ventilaciones, pero puede acumularse un poco en un área más fresca, como la puerta. Este efecto es normal.

Común	
El horno se encendió vacío por accidente.	No se debe hacer funcionar el horno estando vacío. Es muy peligroso.

Problema	Causa posible	Corrección
El horno no arranca.	(1) El cable de electricidad no está insertado firmemente en el tomacorriente.	Desenchufe el cable del tomacorriente. Espere aproximadamente 10 segundos y vuelva a enchufar en cable en el tomacorriente.
	(2) Fusible quemado o disyuntor apagado.	Cambie el fusible o configure nuevamente el disyuntor (reparado por un técnico en reparaciones de nuestra empresa).
	(3) Problema con el tomacorriente.	Pruebe conectar un artefacto eléctrico diferente en el tomacorriente.
El horno no calienta.	(4) La puerta no está cerrada en forma apropiada.	Cierre bien la puerta.
El plato giratorio hace ruido cuando está funcionando el horno microondas.	(5) El plato giratorio o la parte inferior del horno está sucia.	Limpie el horno de acuerdo con las instrucciones en el capítulo «Limpieza».

INFORMACIÓN TÉCNICA

Volumen:	20 l	Voltaje nominal:	230–240 V~ 50 Hz
Potencia de cocción:	700 W	Potencia de entrada nominal:	1200 W
Temporizador:	30 minutos	Frecuencia operativa:	2450 MHz
Configuración de potencia:	5 niveles	Nivel de ruido:	55 dB
Plato giratorio:	Ø 245 mm	Parrilla:	900 W
Peso:	11,3 kg		
Dimensiones:	452 × 262 × 364 mm		
Dimensiones internas:	315 × 198 × 297 mm		

USO Y ELIMINACIÓN DE LOS DESECHOS

Papel para envolver y cartón corrugado: entregue a una chatarrería. Plástico de embalaje, bolsas de polietileno, elementos plásticos: arrójelos en los recipientes para reciclaje de plásticos.

ELIMINACIÓN DE LOS PRODUCTOS AL FINAL DE SU VIDA ÚTIL

Eliminación de equipos eléctricos y electrónicos (válido en los países miembros de la Unión Europea y otros países europeos con un sistema implementado de reciclaje)

El símbolo representado en el producto o en el embalaje significa que el producto no será tratado como desecho doméstico. Entregue el producto en el sitio específico para reciclaje de equipos eléctricos y electrónicos. Evite los efectos negativos en la salud humana y en el medioambiente reciclando apropiadamente su producto. El reciclaje contribuye a la preservación de los recursos naturales. Para más información acerca del reciclaje de este producto, consulte a su autoridad local, organización de procesamiento de desechos domésticos o en la tienda donde compró el producto.

Este producto cumple con los requisitos de la directiva de la UE acerca de la compatibilidad electromagnética y seguridad eléctrica.

Este manual de instrucciones está disponible en el sitio Web www.ecg-electro.eu.

No reservamos la posibilidad de realizar cambios en el texto y en los parámetros técnicos.



08/05



CONSIGNES DE SÉCURITÉ

Lisez attentivement et conservez pour un usage futur !

Avertissement : les dispositions et consignes de sécurité figurant dans le présent manuel ne couvrent pas toutes les conditions et situations susceptibles de survenir. L'utilisateur doit comprendre que le bon sens, la prudence et le soin sont des facteurs ne pouvant être intégrés dans le produit. Ces facteurs sont donc à la charge de l'utilisateur/utilisatrice employant et entretenant cet appareil. Nous ne pouvons être tenus responsables des dommages apparus pendant le transport, un usage inadéquat, une variation de tension électrique ou la modification ou intervention sur l'une des parties de l'appareil.

Afin d'éviter le risque d'incendie ou d'électrocution, les précautions de base devraient toujours être respectées lors de l'utilisation d'appareils électriques, y compris les suivants :

1. Veillez à ce que la tension de votre prise électrique corresponde à la tension figurant sur la plaque signalétique de l'appareil et que votre prise soit correctement reliée à la terre. La prise doit être installée selon la norme électrotechnique EN en vigueur.
2. N'utilisez jamais le four si sa porte est endommagée, si le four ne fonctionne pas correctement ou si le câble d'alimentation est endommagé.

AVERTISSEMENT : il est dangereux pour une personne non formée de procéder à de quelconques réparations ou entretien impliquant le retrait d'un cache garantissant la protection contre le rayonnement micro-ondes.

Confiez toute réparation ou réglage, y compris le remplacement du câble d'alimentation, à un service après-vente professionnel ! Avant la réparation, il est nécessaire de débrancher le câble d'alimentation de la prise. En retirant les caches de protection avec le câble d'alimentation branché, vous risquez d'exposer le technicien de maintenance au danger du rayonnement micro-ondes et de l'électrocution !

3. Protégez l'appareil de tout contact direct avec de l'eau et autres liquides pour éviter le risque d'électrocution. Ne plongez jamais le câble d'alimentation ou la fiche dans l'eau.

4. N'utilisez pas le four à micro-ondes à l'extérieur ou dans un environnement humide et ne touchez pas le câble d'alimentation ou l'appareil avec les mains mouillées. Risque d'électrocution.
5. Faites particulièrement attention si vous utilisez le four à proximité des enfants.
6. Le four à micro-ondes ne devrait pas être laissé en marche sans surveillance.
7. Nous recommandons de ne pas laisser le four sans surveillance avec le câble d'alimentation branché. Avant l'entretien, débranchez le câble d'alimentation de la prise électrique. Ne débranchez pas la fiche de la prise électrique en tirant sur le câble. Débranchez le câble de la prise électrique en saisissant la fiche.
8. N'utilisez pas le four à micro-ondes à proximité d'une source de chaleur, par exemple d'une plaque chauffante de la cuisinière. Protégez-le de la lumière directe du soleil.
9. Le câble d'alimentation ne doit pas être en contact avec des parties chaudes, ni passer sur des angles tranchants.
10. Pour limiter le risque d'incendie à l'intérieur du four, observez ce qui suit :
 - a) Ne surchauffez pas les aliments.
 - b) Avant de placer les sacs en papier ou en plastique dans le four, retirez leurs pinces de fermeture.
 - c) Ne chauffez pas d'huile ou de graisse pour la friture dans le four, car la température de l'huile ne peut pas être contrôlée. Ne faites pas frire les aliments dans le four. L'huile brûlante peut endommager certaines parties du four et les ustensiles de cuisine et peut également causer des brûlures.
 - d) Après utilisation, nettoyez la porte, les joints de la porte et l'intérieur du four avec un chiffon imbibé d'une solution de détergent doux et essuyez à sec. Cela permettra d'éliminer toutes les saletés, la graisse et les éventuels résidus de nourriture.

AVERTISSEMENT : si la porte ou les joints de la porte sont endommagés, le four ne doit pas être utilisé jusqu'à sa réparation par une personne qualifiée. Le four devrait être correctement nettoyé et les éventuels restes de nourriture éliminés. Si le four n'est pas gardé propre, la surface risque d'être endommagée, ce qui risque d'affecter le

fonctionnement de l'appareil et de créer une situation dangereuse. Risque de surchauffe de la graisse accumulée pouvant provoquer ensuite un incendie.

Pour le nettoyage, n'utilisez jamais de produits abrasifs.

L'appareil ne doit pas être nettoyé à la vapeur.

- e) Si l'aliment traité à l'intérieur du four se met à fumer ou prend feu, gardez la porte du four fermée, éteignez le four et débranchez le câble d'alimentation de la prise afin d'éviter le risque de propagation du feu.
- f) Dans le cas de l'utilisation de récipients jetables en plastique, papier ou autre matériaux inflammables, vous ne devez pas laisser le four sans surveillance afin d'éviter l'inflammation.

11. Limitez les risques d'explosion ou d'ébullition soudaine en observant ce qui suit :

AVERTISSEMENT : Les liquides et autres aliments ne doivent pas être chauffés dans des récipients hermétiques, risque d'explosion. On compte parmi les récipients fermés également les biberons avec un bouchon à vis ou avec une tétine.

- a) Pour faire chauffer les liquides, utilisez un récipient à col large et après le réchauffage, laissez-le reposer pendant 20 secondes afin d'empêcher son ébullition éruptive.
- b) Les œufs en coquille, les œufs entiers cuits durs, de l'eau contenant de la graisse ou de l'huile et les récipients en verre fermés ne doivent pas être chauffés au four à micro-ondes car ils risquent d'exploser, même après la fin du chauffage micro-ondes. Avant la préparation au four, épluchez ou percez la peau des pommes de terre, des saucisses ou des châtaignes.
- c) Le chauffage des boissons au micro-ondes peut causer une ébullition retardée, dont il faut tenir compte en manipulant le récipient.
- d) Le contenu des biberons et tasses pour enfants doit être mélangé ou secoué avant de servir et la température doit être vérifiée avant consommation afin d'éviter des brûlures.

12. Après la fin de cuisson, les récipients sont très chauds. Pour les retirer du four, utilisez des gants de cuisine. Attention aux brûlures du visage et des mains causés par le contact avec de la vapeur brûlante.

13. Soulevez toujours lentement le bord le plus éloigné du couvercle ou du film alimentaire. Ouvrez les sacs de pop-corn et les sacs de cuisson à une distance suffisante de votre visage.
14. Pour ne pas casser le plateau tournant :
 - a) Avant le nettoyage, laissez refroidir le plateau tournant.
 - b) Ne posez aucun aliment ni récipient chaud sur le plateau tournant froid.
 - c) Ne posez aucun aliment surgelé ni récipient froid sur le plateau tournant chaud.
15. Assurez-vous que les récipients ne touchent pas les parois intérieures du four lors de la cuisson.
16. Ne stockez pas d'aliments et d'autres objets à l'intérieur du four. Si le réseau électrique est frappé par la foudre, la mise en marche spontanée du four peut se produire.
17. N'utilisez pas le four à vide, sans aucun liquide ni aliment à l'intérieur. Vous pourriez ainsi endommager le four. Ne couvrez pas et n'obstruez pas les ouvertures d'aération du four.
18. N'utilisez jamais d'accessoires non recommandés par le fabricant ; le non-respect de cette consigne risque d'entraîner l'annulation de la garantie.
19. Utilisez le four à micro-ondes uniquement en respectant les instructions figurant dans le présent mode d'emploi. Ce four à micro-ondes est destiné à un usage exclusivement domestique. Le fabricant ne peut être tenu responsable de dommages causés par un usage incorrect de cet appareil.
20. Le four à micro-ondes est conçu pour faire chauffer les aliments et boissons. Le séchage des aliments ou des vêtements et le chauffage des coussins chauffants, des chaussons, des éponges de nettoyage, des tissus humides et d'autres objets semblables peut conduire à des risques de blessures, d'inflammation ou d'incendie.
21. Cet appareil est destiné à un usage domestique et dans des locaux similaires comme :
 - les coins-cuisine dans les magasins, bureaux et autres lieux de travail
 - les appareils utilisés en exploitation agricole
 - les appareils utilisés par les clients des hôtels, motels et autres systèmes d'hébergement

- les appareils utilisés dans les structures offrant l'hébergement avec petit déjeuner inclus.

22. Cet appareil peut être utilisé par les enfants de plus de 8 ans et par les personnes aux capacités physiques ou mentales réduites, ou sans expérience et connaissances suffisantes, si elles sont sous surveillance ou ont été formées à l'utilisation de l'appareil d'une manière sûre, et ont conscience des éventuels dangers en cas d'usage incorrect. Les enfants ne doivent pas jouer avec l'appareil. Le nettoyage et l'entretien à la charge de l'utilisateur ne doit pas être réalisé par les enfants âgés de moins de 8 ans et les enfants âgés de plus de 8 ans sans surveillance.

Ne vous exposez pas inutilement au rayonnement micro-ondes excessif

1. N'essayez pas de faire fonctionner le four à micro-ondes lorsque sa porte est ouverte. Vous pourriez ainsi vous exposer au rayonnement micro-ondes nocif. N'essayez pas d'altérer ou de tenir les verrous de sécurité de la porte du four.
2. N'insérez aucun objet étranger dans l'intervalle de la porte. Veillez à éviter la formation de dépôts de salissure ou de résidus de produits de nettoyage sur les joints d'étanchéité de la porte du four et sur les surfaces d'étanchéité.
3. N'essayez pas de faire fonctionner le four s'il est endommagé. Il est nécessaire que la porte du four ferme toujours parfaitement et ne soit aucunement endommagée.

Exemples de dommages dangereux à la porte :

- a) Porte du four ENFONCEE.
- b) CHARNIERES ou LOQUETS de fermeture de la porte desserrés ou cassés.
- c) JOINTS D'ETANCHEITE DE LA PORTE OU SURFACES D'ETANCHEITE DU CADRE FRONTAL DU FOUR ENDOMMAGÉS.

Toute intervention ou réparation sur le four à micro-ondes doit être effectuée exclusivement par un technicien qualifié.

4. Comme avec la plupart des appareils destinés à la cuisson, une surveillance rigoureuse est nécessaire pour réduire le risque d'incendie à l'intérieur du four.

En cas d'incendie :

1. N'ouvrez pas la porte du four.
2. Éteignez le four et retirez la fiche de la prise.
3. Désactivez l'interrupteur principal d'alimentation électrique.

NETTOYAGE

Assurez-vous d'avoir débranché le four de l'alimentation électrique en retirant la fiche de la prise.

1. Pour le nettoyage à l'intérieur du four, utilisez un torchon humide.
2. Nettoyer les accessoires de la manière habituelle à l'eau savonneuse.
3. Le cadre de la porte, les joints et les parties adjacentes encrassées doivent être nettoyés avec précaution avec un chiffon humide imbibé d'une solution détergente et puis essuyés à sec.

Le four doit être mis à la terre. La fiche du câble d'alimentation doit être branchée uniquement dans une prise correctement mise à la terre.

En cas de doute concernant l'état correct des installations électriques ou lors des pannes du four, veuillez-vous adresser à un électricien qualifié ou un technicien du service après-vente.

1. Le four à micro-ondes est équipé d'un câble d'alimentation court pour réduire le risque de trébucher ou de s'emmêler.
2. Une longue rallonge doit répondre aux exigences suivantes :
 - a) De point de vue de la charge électrique autorisée, les valeurs nominales des rallonges et de la prise électrique doivent correspondre aux valeurs nominales du four à micro-ondes.
 - b) Le câble de rallonge doit compter trois fils et la fiche et la prise doivent être munies d'un plot de mise à la terre.
 - c) Le câble d'alimentation doit être bien caché pour ne pas pendre inutilement sur le plan de travail de cuisine, pour éviter de trébucher dessus et pour ne pas le laisser, à portée de mains des enfants.

USTENSILES ET RECIPIENTS

AVERTISSEMENT

Risque de blessure

Utilisez uniquement des récipients destinés à être utilisés dans un four à micro-ondes. Les récipients fermés hermétiquement sont susceptibles d'exploser lors de la cuisson. Les récipients fermés doivent être ouverts avant la cuisson et les emballages en plastique préalablement percés, voir « Les matériaux qui peuvent et ne peuvent pas être utilisés lors de la cuisson dans un four à micro-ondes. » Il existe certains matériaux non métalliques qui ne peuvent pas être utilisés en toute sécurité pour la cuisson dans un four à micro-ondes. Si vous n'êtes pas sûr si le matériau peut être utilisé en toute sécurité pour la cuisson au four à micro-ondes, procédez comme suit :

Test d'ustensiles de cuisine :

1. Remplir le récipient destiné au four à micro-ondes avec de l'eau froide (250 ml).
2. Faites bouillir pendant 1 minute à la puissance maximale du four.
3. Vérifiez avec précaution la température du récipient testé. Si le récipient testé est chaud, ne l'utilisez pas pour la cuisson au four à micro-ondes.
4. Ne faites pas bouillir plus de 1 minute.

DANGER pour les enfants : les enfants ne doivent pas jouer avec les matériaux d'emballage. Ne laissez pas les enfants jouer avec les sacs en plastique. Risque d'étouffement.



Surface chaude !

Matériaux que vous pouvez utiliser pour la cuisson dans le four à micro-ondes

Ustensiles de cuisson	Observations
Plaques de four	Suivez les consignes du fabricant. Le fond du plateau de cuisson doit être placé à au moins 5 mm au-dessus du plateau tournant. Une mauvaise manipulation peut provoquer la rupture du plateau tournant.
Assiettes	Utilisez uniquement les assiettes et la vaisselle destinées à être utilisées dans un four à micro-ondes. Suivez les consignes du fabricant. N'utilisez pas de plats cassés, ébréchés ou autrement endommagés.
Verres et pichets en verre	Otez toujours le couvercle d'étanchéité. Réchauffez uniquement le plat. Ne le faites pas cuire ! La plupart des verres et des pichets en verre ne résistent pas à des températures élevées et peuvent se fissurer.

Ustensiles de cuisson	Observations
Plats à four en verre	Utilisez uniquement des plats à four en verre résistant aux températures élevées. Assurez-vous que le plat ne comporte pas de bords en métal ou d'autres accessoires métalliques. N'utilisez pas de plats cassés, ébréchés ou autrement endommagés.
Sachets de cuisson au four	Suivez les consignes du fabricant. N'utilisez pas de pinces de fermeture en métal. Laissez la fermeture du sachet de cuisson entrouverte afin que la vapeur puisse s'échapper librement.
Barquettes en papier	Convient uniquement pour le chauffage ou la cuisson courte. Ne laissez jamais le four sans surveillance pendant la cuisson.
Papier essuie tout	Utilisez pour couvrir les aliments et pour absorber la graisse fondue. Utilisez uniquement pour la cuisson de courte durée. Ne laissez pas sans surveillance pendant la cuisson.
Papier de cuisson sulfurisé	Utilisez pour couvrir les aliments, pour envelopper les aliments lors de la préparation à l'étouffée et pour protéger le four contre les éclaboussures.
Matériaux plastiques	Utilisez uniquement les assiettes et la vaisselle destinées à être utilisées dans un four à micro-ondes. Suivez les consignes du fabricant. Un matériau plastique adapté pour une utilisation dans un four à micro-ondes doit avoir une désignation spécifique : « Convient pour les fours à micro-ondes. » Certains plastiques ramollissent suite à une exposition prolongée à des températures élevées. Les sachets et les sacs de cuisson doivent être coupés, percés ou autrement ventilés conformément aux instructions du fabricant.
Films alimentaires en plastique	Utilisez uniquement les assiettes et la vaisselle destinées à être utilisées dans un four à micro-ondes. Utilisez uniquement pour couvrir les aliments et pour maintenir l'humidité des plats pendant la cuisson. Veillez à ce que le film alimentaire en plastique ne touche pas le plat préparé.
Thermomètres	Utilisez uniquement les thermomètres conçus pour l'utilisation dans les fours à micro-ondes. (Thermomètres pour viande, pain et pâtisserie).
Papier ciré alimentaire	Utilisez pour couvrir les aliments, pour protéger le four contre les éclaboussures et pour maintenir l'humidité du plat pendant la cuisson.

Les matériaux qui ne peuvent pas être utilisés lors de la cuisson dans un four à micro-ondes

Ustensiles et outils de cuisson	Observations
Plateaux et plats à four en aluminium	Risque de déformation. Déplacez les aliments dans un récipient qui convient pour la cuisson au four à micro-ondes.
Boîtes alimentaires et boîtes en carton avec les poignées métalliques	Risque de déformation. Déplacez les aliments dans un récipient qui convient pour la cuisson au four à micro-ondes.
Ustensiles en métal et avec accessoires métalliques	Le métal empêche la pénétration de l'énergie micro-ondes. Le bord métallique peut se déformer.
Anneaux de fermeture en fil de fer	Risque de déformation et d'incendie à l'intérieur du four.
Sachets en papier	Risque d'inflammation. Risque d'incendie à l'intérieur du four.
Matériaux en mousse	Par l'exposition à des températures élevées, la mousse en plastique peut fondre et gâcher la nourriture.
Bois	Le bois se dessèche et peut éclater lors de la cuisson.

Matériaux utilisables lors du grill et de la cuisson au four à micro-ondes

Matériau	Rayonnement micro-ondes	Grillade	Combinaison
Verre de cuisson	Oui	Oui	Oui
Verre ordinaire	Non	Non	Non
Céramique destinée au gratin	Oui	Oui	Oui
Récipients en plastique pour micro-ondes	Oui	Non	Non
Papier cuisson	Oui	Non	Non
Grille métallique	Non	Oui	Non

Matériau	Rayonnement micro-ondes	Grillade	Combinaison
Tôle métallique, support	Non	Oui	Non
Papier aluminium, feuille d'aluminium	Non	Oui	Non

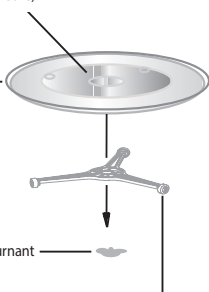
INSTALLATION DU PLATEAU TOURNANT

Encoche (partie inférieure)

Plateau en verre

Axe du plateau tournant

Anneau de guidage complété



1. Ne placez jamais le plateau en verre à l'envers. Le plateau en verre doit toujours tourner librement.
2. N'utilisez pas le four sans l'entraîneur du plateau en verre.
3. Tous les aliments et les récipients doivent être toujours placés sur le plateau en verre.
4. En cas de fissure du plateau en verre ou d'endommagement de l'entraîneur de plateau, veuillez vous adresser au service après-vente agréé le plus proche.

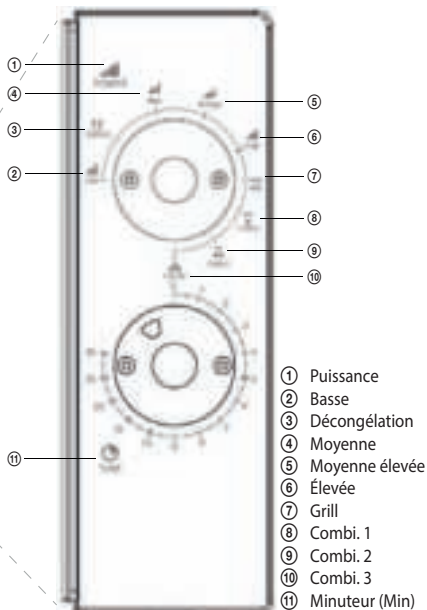
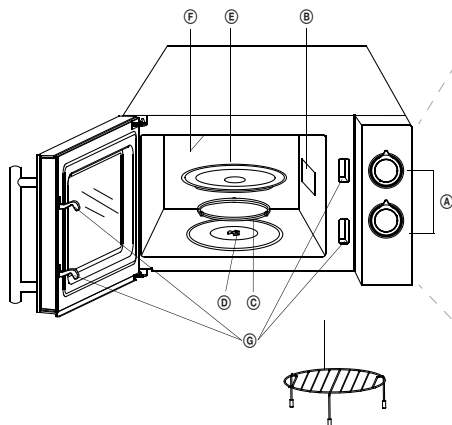
ASSEMBLAGE DU FOUR A MICRO-ONDES

Noms des composants et des accessoires du four

Retirez le four et tous les accessoires de l'emballage.

Le four est livré avec les accessoires suivants :

Plateau en verre	1
Anneau de guidage complété	1
Mode d'emploi	1



- (A) Panneau de commande
- (B) Guide d'ondes
- (C) Anneau de guidage
- (D) Axe du plateau tournant
- (E) Plateau en verre

- (F) Grill
- (G) Système de verrouillage de sécurité
(Stoppe l'alimentation en énergie électrique en cas d'ouverture de la porte pendant la cuisson.)

INSTALLATION

Enlevez tous les matériaux d'emballage et retirez tous les accessoires.

Vérifier que le four n'est pas endommagé (four cabossé ou la porte endommagée, etc.). N'installez pas le four s'il est endommagé d'une manière quelconque.

Plan de travail de cuisine

Corps du four : retirez tous les films de protection de la surface du four.

Ne retirez pas le film marron clair fixé à l'intérieur du four. Ce film protège le magnétron du four.

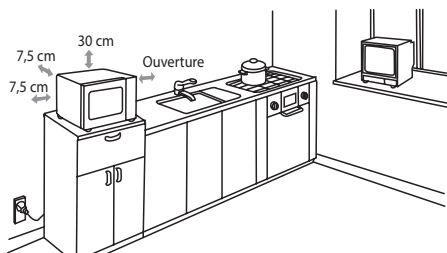
Installation

1. Placez le four sur une surface plane assurant suffisamment d'espace libre pour le fonctionnement correct des ouvertures d'aération.

La distance entre le four et le mur le plus proche doit être d'au moins 7,5 cm.

Au moins un côté doit rester libre.

- a) Laissez au moins 30 cm d'espace libre au-dessus du four.
 - b) Ne retirez aucun pied du four.
 - c) Ne bloquez pas les ouvertures d'aération. Le four risque d'être endommagé.
 - d) Placez le four le plus loin possible des postes de radio et de télévision. Le four à micro-ondes peut provoquer des interférences de signal TV et radio.
2. Branchez votre four au réseau électrique standard. Assurez-vous que la tension et la fréquence figurant sur la plaque signalétique du four correspondent à la tension et la fréquence dans le réseau.



AVERTISSEMENT : n'installez jamais le four au-dessus de la cuisinière ni à sa proximité ou à proximité d'une autre source de chaleur. L'installation du four à proximité d'une source de chaleur peut avoir pour conséquence l'endommagement du four et entraîner l'annulation de la garantie.

Le four à micro-ondes est destiné à un usage dans un espace libre et ne doit pas être placé dans une armoire.

Au cours du fonctionnement, la surface du four à micro-ondes peut devenir chaude.



Panneau de commande et fonctions

1. Réglez la puissance du four en tournant la molette (Power) au niveau requis.
2. Réglez la durée de cuisson en tournant la molette de temps (Time) à l'intervalle requis, en fonction du plat préparé (max. 30 minutes).
3. Après le réglage de la puissance et du temps, le four à micro-ondes lance automatiquement la cuisson.
4. Une fois la durée de cuisson réglée écoulee, le four s'arrête.
5. Lorsque vous n'utilisez pas le four, laissez la molette de temps sur « 0 ».

Note : Lors de la sélection d'une durée de cuisson inférieure à deux minutes, tournez la molette au-delà de 2 minutes, puis ramenez-la dans la position demandée.

Chauffage micro-ondes

Pour un chauffage micro-ondes exclusif, cinq niveaux de puissance sont disponibles, correspondant bien aux fonctions requises. La puissance augmente en tournant la molette vers la droite. Les niveaux de puissance sont décrits ainsi :

Puissance de sortie	Description
100 %	HIGH
81 %	M.HIGH
58 %	MED
36 %	DEFROST
18 %	LOW

Grillade

Tournez la molette dans le sens des aiguilles d'une montre lorsque le four micro-ondes est sur le niveau de puissance le plus élevé (position GRIL ⑦) pour passer en mode grillade, habituellement utile pour les fines tranches de viande, les steaks, les côtelettes, les kebabs, les saucisses ou les morceaux de poulet. Ce mode est également adapté pour la préparation des sandwichs chauds et des plats à base de blé complet.

Mode combiné

Comme son nom l'indique, ce mode de cuisson associe le chauffage micro-ondes avec la grillade. Le mode est disponible avec trois niveaux de puissance, associant différentes valeurs de puissance du chauffage micro-ondes et de grillade. Les niveaux sont décrits dans le tableau

ci-dessous. Le mode combiné est particulièrement adapté pour certains types d'aliments. Il permet également d'obtenir une texture croustillante.

Le tableau ci-dessous décrit 3 différents réglages pour le mode combiné.

Programme	Chauffage micro-ondes	Grillade	Adapté pour
Combi. 1	30%	70%	Poisson, pommes de terre, plats à base de blé complet
Combi. 2	49%	51%	Pudding, omelettes, pommes de terres frites
Combi. 3	67%	33%	Volaille

PROBLÈMES ET SOLUTIONS

Courants	
Le four à micro-ondes interfère avec la réception TV.	Le four à micro-ondes peut causer des interférences sur la réception de la radio ou du téléviseur. Ces interférences sont semblables à celles produites par d'autres petits appareils électroménagers, tels que mixer, aspirateur ou ventilateur électrique.
La lumière dans le four baisse en intensité.	Lors de l'utilisation d'une puissance micro-ondes inférieure, la lumière dans le four peut diminuer.
De la vapeur s'accumule sur la porte et de l'air chaud s'échappe par les ouvertures d'aération.	Lors de la cuisson, de la vapeur peut s'échapper des aliments. La plus grande quantité s'échappe par les ouvertures d'aération, mais une partie peut s'accumuler sur une surface plus froide comme la porte du four. C'est un phénomène normal.
Le four a été accidentellement mis en marche à vide.	Le four ne doit pas être mis en marche à vide. C'est très dangereux.

Problème	Cause possible	Solutions
Il est impossible de mettre le four en marche.	(1) Le câble d'alimentation n'est pas correctement branché dans la prise.	Débranchez le câble d'alimentation de la prise. Au bout de 10 secondes environ, branchez le câble de nouveau dans la prise.
	(2) Fusible fondu ou disjoncteur sauté.	Remplacez le fusible ou relancez le disjoncteur (assuré par le technicien du service après-vente de notre société).
	(3) Problème avec la prise électrique.	Essayez de brancher un autre appareil électrique dans la prise.
Le four ne chauffe pas.	(4) La porte n'est pas correctement fermée.	Fermez bien la porte.
Le plateau en verre fait du bruit lorsque le four est en marche.	(5) Le support tournant ou le fond du four sont sales.	Nettoyez le four selon les instructions du chapitre « Nettoyage ».

DONNÉES TECHNIQUES

Volume : 20 l
 Puissance micro-ondes : 700 W
 Minuteur : 30 minutes
 Réglage de la puissance : 5 niveaux
 Plateau tournant : Ø 245 mm
 Poids : 11,3 kg
 Dimensions : 452 × 262 × 364 mm
 Dimensions du compartiment intérieur : 315 × 198 × 297 mm

Tension nominale : 230-240 V~ 50 Hz
 Puissance nominale : 1 200 W
 Fréquence nominale : 2 450 MHz
 Niveau sonore : 55 dB
 Grill : 900 W

RECYCLAGE ET ELIMINATION DES DECHETS

Papier d'emballage et carton ondulé – remettre dans les conteneurs de collecte de papiers. Film d'emballage, sacs PE, pièces en plastique – dans les conteneurs de collecte de plastique.

ELIMINATION DU PRODUIT A LA FIN DE SA DUREE DE VIE

Liquidation des équipements électriques et électroniques usagés (en vigueur dans les pays membres de l'Union européenne et les autres pays européens disposant d'un système de tri des déchets)

Le symbole figurant sur le produit ou l'emballage signifie que le produit ne doit pas être traité comme une ordure ménagère courante. Remettez le produit à un lieu de collecte prévu pour le recyclage des équipements électriques et électroniques. Une élimination correcte du produit évite des impacts négatifs sur la santé humaine et l'environnement. Le recyclage des matériaux contribue à la protection de l'environnement. Pour plus d'informations sur le recyclage de ce produit, adressez-vous à la mairie, aux centres de traitement des déchets ménagers ou au point de vente où vous avez acheté le produit.

Ce produit est conforme aux directives européennes relatives à la compatibilité électromagnétique et à la sécurité électrique.

Le mode d'emploi est disponible sur le site web www.ecg-electro.eu

Nous nous réservons le droit de modifier le texte et les paramètres techniques.



08/05



Français

SIGURNOSNE UPUTE

Pročitajte pažljivo i sačuvajte za buduću uporabu!

Pozor: Mjere opreza i upute ne pokrivaju sve moguće uvjete i opasnosti do kojih može doći. Korisnik treba biti svjestan da faktore sigurnosti, kao što su oprezno, brižno i razumno rukovanje, nije moguće ugraditi u proizvod. Zbog toga sâm korisnik ovog uređaja treba osigurati prisutnost tih sigurnosnih faktora. Nismo odgovorni za štete nastale prijevozom, nepravilnim korištenjem, promjenama napona te modificiranjem ili zamjenom bilo kojeg dijela uređaja.

Kako ne bi došlo do požara ili ozljede od udara električne struje, pri uporabi električnih uređaja uvijek se trebaju poštovati temeljne sigurnosne upute među kojima su i sljedeće:

1. Provjerite odgovara li napon struje na vašoj utičnici onome koji je naveden na pločici vašeg uređaja, te je li utičnica pravilno uzemljena. Utičnica mora biti ugrađena prema zahtjevima nacionalnih elektrotehničkih normi.
2. Pećnicu nikada nemojte koristiti ako su oštećena vrata, ne radi ispravno ili je oštećen kabel za napajanje.

POZOR: Uklanjanje poklopca koji pruža zaštitu od mikrovalnog zračenja predstavlja opasnost za svaku osobu koja nije obučena za obavljanje bilo kojeg posla na održavanju ili za popravak.

Bilo kakav popravak ili podešavanje uređaja, u što ulazi i zamjena kabela, mora biti povjerena stručnom servisu! Prije no što započnete popravljavanje isključite kabel napajanja iz mreže. Bude li poklopac demontiran, nakon spajanja na električnu mrežu može doći do izlaganja serviseru opasnosti od strujnog udara ili energije mikrovalova.

3. Uređaj zaštitite od doticaja s vodom ili drugim tekućinama kako ne bi došlo do udara električne struje. Ne uranjajte ni napojni kabel niti utičnicu u vodu!
4. Mikrovalnu pećnicu nemojte koristiti na otvorenom, kao ni u vlažnim prostorima; ne dotičite kabel za napajanje niti uređaj mokrim rukama. Postoji opasnost od električnog udara.
5. Budite posebno pažljivi nalaze li se djeca u blizini dok koristite štednjak.
6. Mikrovalna pećnica ne smije biti ostavljena da radi bez nadzora.

7. Preporučujemo da štednjak ne ostavljate s napojnim kabelom uključenim u struju. Prije bilo kakvog zahvata održavanja, isključite kabel napajanja iz mreže. Ne izvlačite utikač iz utičnice povlačenjem za kabel. Kabel odspojite iz mreže tako što ćete primiti utikač i izvući ga.
8. Mikrovalnu pećnicu nemojte koristiti u blizini izvora topline, kao što su to grijalice ili peći na drva. Držite je podalje od izravne sunčeve svjetlosti.
9. Kabel se mora pružati tako da ne dolazi u dodir s vrućim predmetima i ne prolazi duž oštih rubova.
10. Opasnost od nastanka požara u unutrašnjosti pećnice spriječit ćete ovako:
 - a) Nemojte previše peći jela.
 - b) Prije nego papirnatu ili plastičnu ambalažu stavite u pećnicu, izvadite iz nje sve metalne spajalice i druge komade od metala.
 - c) Ne zagrijavajte ulje ili mast za kuhanje u pećnici, jer se temperatura ulja ne može kontrolirati. Nemojte pržiti hranu u pećnici. Vruće ulje može oštetiti dijelove pećnice i suđe, te uzrokovati opekline.
 - d) Nakon korištenja prebrišite vrata, brtvu vrata i unutrašnji prostor pećnice koristeći krpnu navlaženu otopinom sapunice, a zatim posušite brisanjem. Tako ćete ukloniti nečistoće i masnoće, te moguće ostatke hrane.

POZOR: Ako su oštećena vrata, odnosno brtve, pećnicu ne smijete koristiti sve dok je ne popravi osoba obučena za to. Pećnicu treba pravilno očistiti i ukloniti ostatke jela. Nepravilno čišćenje pećnice može rezultirati oštećenjem površine, što bi moglo nepovoljno utjecati na životni vijek uređaja i dovesti do opasne situacije. Naslage masnoće mogu se pregrijati a što bi moglo dovesti do nastanka dima ili do požara.

Nemojte koristiti abrazivna sredstva za čišćenje.

Uređaj se ne smije čistiti parnim čistačem.

- e) Ako se tijekom pripreme hrane iz pećnice počne dimiti ili dođe do gorenja, neka vrata pećnice ostanu zatvorena, isključite pećnicu i izvucite kabel za napajanje iz utičnice.
- f) U slučaju da koristite posude za jednokratnu upotrebu izrađene od plastike, papira ili drugih zapaljivih materijala, ne smijete ostaviti pećnicu bez nadzora kako se ne bi oštetila.

11. Opasnost od eksplozije i iznenadnog vrenja uklonit ćete ovako:
POZOR: Tekućine i druge namirnice ne smiju se zagrijavati u hermetički zatvorenim posudama jer može doći do eksplozije. Pod zatvorenim posudama podrazumijevamo i dječje bočice ili dude varalice.
- Za zagrijavanje tekućina koristite posude sa širokim otvorom i nakon zagrijavanja ih ostavite da stoje 20 sekundi kako ne bi došlo do eruptivnog vrenja.
 - U mikrovalnoj pećnici ne smiju se kuhati jaja, tvrdo kuhana jaja, voda koja sadrži masnoće i ulja i zatvorene staklene posude, zbog toga što bi moglo doći do njihove eksplozije, čak i nakon što prestane djelovanje mikrovalova. Krumpire, kobasice i kestenje prije stavljanja u pećnicu trebete prerezati ili probosti.
 - Mikrovalno zagrijavanje napitaka može uzrokovati odgođeno vrenje. Kad posude izvađene iz pećnice primete u ruke, imajte na umu da postoji ta opasnost.
 - Sadržaj dječjih bočica i dječje hrane se mora promiješati ili protresti prije davanja djetetu, a temperatura se treba provjeriti prije konzumacije kako bi se spriječilo nastajanje opeklina.
12. Nakon zagrijavanja u mikrovalnoj pećnici posude su vrlo vruće. Koristite rukavice kod vađenja. Pazite da ne dođe do opeklina lica i ruku pri kontaktu s vrućom parom.
13. Kad otvarate poklopac ili skidate foliju s ambalaže, uvijek počnite otvaranje na suprotnoj strani i smjeru suprotnom od sebe. Vrećice s kokicama i vrećice za pečenje otvarajte na sigurnoj udaljenosti od lica.
14. Kako biste okretnicu zaštilili od razbijanja:
- Pustite okretnicu da se ohladi prije nego je čistite.
 - Nemojte na hladnu okretnicu stavljati nikakve vruću hranu ili posude.
 - Nemojte na vruću okretnicu stavljati nikakvu zamrznutu hranu ili hladne posude.
15. Provjerite da niti jedan predmet ne dotiče unutrašnje stijenke pećnice tijekom rada.
16. Nemojte odlagati nikakvu hranu ni predmete u pećnicu. Dođe li do udara munje u električnu mrežu, pećnica bi se mogla sama uključiti.

17. Pećnicu nemojte koristiti kad u njoj nema nikakve tekućine niti namirnica. To bi je moglo oštetiti. Nemojte zatvarati ni prigušivati otvor za ventilaciju pećnice.
18. Nemojte koristiti pribor kojeg nije preporučio proizvođač. U suprotnom ćete izgubiti prava na jamstvo.
19. Mikrovalnu pećnicu koristite samo na način propisan ovom uputom. Mikrovalna pećnica namijenjena je samo za kućnu uporabu. Proizvođač nije odgovoran za štete koje mogu nastati nepravilnim korištenjem ovog uređaja.
20. Mikrovalna pećnica projektirana je za zagrijavanje hrane i pića. Sušenje hrane ili odjeće, zagrijavanje jastuka, papuča, spužvi, mokre odjeće i sličnih predmeta može dovesti do opasnosti od ozljede, izbijanja plamena ili požara.
21. Ovaj proizvod namijenjen je za korištenje u kućanstvu i sličnim prostorima kao što su:
 - kuhinje u tvrtkama, uredima i u drugim sličnim radnim okružjima,
 - prostorije korištene u poljoprivredi,
 - uređaji na raspolaganju gostima hotela, motela i drugih smještajnih objekata
 - objektima koji nude noćenje s doručkom.
22. Djeca starosti od 8 godina i više, osobe smanjenih fizičkih ili umnih sposobnosti ili osobe s nedostatkom iskustva smiju koristiti ovaj uređaj samo ako su pod nadzorom ili ih je iskusnija osoba uputila u korištenje na siguran način i razumiju sve opasnosti koje su povezane s nepravilnim korištenjem. Djeca se ne smiju igrati ovim uređajem. Poslove čišćenja i održavanja koje obavlja korisnik ne smiju raditi djeca osim ako su starija od 8 godina i pod nadzorom.

Ne izlažite se nepotrebno pretjeranim količinama mikrovalnog zračenja

1. Nemojte pokušati uključiti pećnicu kojoj su vrata otvorena. Tako biste se mogli izložiti mikrovalnim zrakama. Ne pokušavajte oštetiti ili onemogućiti sigurnosnu bravicu vrata.

2. U vrata pećnice ne stavljajte ni jedan strani predmet. Provjerite jesu li brtva vrata pećnice i površina na koju ona naliježe čisti i da nema ostataka sredstva za čišćenje.
3. Nemojte pokušavati uključiti neispravnu pećnicu. Nužno je da vrata pećnice nakon zatvaranja potpuno prijanjaju i da nisu oštećena.

Primjeri opasnih oštećenja vrata:

- a) ULUBLJENA vrata pećnice.
 - b) Nedovoljno pritegnute ŠARKE i OSOVINE šarki vrata.
 - c) BRTVA VRATA PEĆNICE I PLOHA KUĆIŠTA NA KOJU BRTVA NALIJEŽE.
- Pećnicu smije podešavati ili popravljati samo kvalificirani tehničar.
4. Kao i kod većine drugih proizvoda koji služe za pečenje, potreban je stalni nadzor kako ne bi došlo do požara.

Dođe li do požara:

1. Ne otvarajte vrata pećnice.
2. Isključite pećnicu i isključite kabel za napajanje iz utičnice.
3. Isključite glavni prekidač kućnog razvoda električne energije.

ČIŠĆENJE

Izvucite utikač kabela napajanja iz utičnice kako biste bili sigurni da je pećnica isključena iz struje.

1. Vlažnom krpom očistite unutrašnjost pećnice.
2. Pribor očistite u sapunici, na uobičajen način.
3. Zaprljani okvir vrata, brtva i susjedni dijelovi moraju se pažljivo očistiti vlažnom krpom natopljenom u otopini deterdženta, a zatim ih osušite suhom krpom.

Pećnica mora biti uzemljena. Kabel za napajanje smije biti uključen samo u utičnicu koja ima ugrađeno ispravno uzemljenje.

U slučaju bilo koje greške ili neispravnosti električne instalacije ili nepravilnog rada pećnice, javite se kvalificiranom električaru ili ovlaštenom serviseru.

1. Mikrovalna pećnica opremljena je kratkim kabelom za napajanje kako bi se smanjila mogućnost spoticanja ili zapetljanja.
2. Dugi produžni kabel mora ispunjavati sljedeće uvjete:
 - a) Kapacitet kabela i utičnice mora biti najmanje jednak nazivnim veličinama mikrovalne pećnice.

- b) Produžni kabel mora biti trožilni, utikač i utičnica moraju biti opremljeni kontaktom uzemljenja.
- c) Kabel mora biti dobro pričvršćen kako ne bi nepotrebno visio preko kuhinjske radne plohe i kako djeca ne bi mogla pasti preko kabela ili ga izvući.

POSUDE I TANJURI

UPOZORENJE

Opasnost od ozljede

Koristite samo posude koje su prikladne za upotrebu u mikrovalnoj pećnici. Čvrsto zatvorene posude mogu eksplodirati za vrijeme kuhanja. Zatvorene posude potrebno je otvoriti prije kuhanja, a plastične posude probušiti. Pogledajte Materijali koji se mogu i koji se ne mogu koristiti za kuhanje u mikrovalnoj pećnici. Određeni nemetali ne mogu se koristiti u mikrovalnoj pećnici na siguran način. Ako niste sigurni može li se neki materijal koristiti u mikrovalnoj pećnici na siguran način, učinite sljedeće:

Provjera kuhinjskih posuda:

1. Posudu prikladnu za kuhanje u mikrovalnoj pećnici napunite hladnom vodom (250 ml).
2. Zagrijavajte je 1 minutu na najvećoj snazi zagrijavanja.
3. Pažljivo provjerite toplinu isprobavane posude. Ako je ispitana posuda topla, nemojte je koristiti za kuhanje u mikrovalnoj pećnici.
4. Nemojte kuhati više od 1 minute.

OPASNOSTI po djecu: Djeca se ne smiju igrati ambalažnim materijalom.

Nemojte dopustiti djeci da se igraju plastičnim vrećicama. Postoji opasnost od gušenja.



Vruća površina!

Materijali koje smijete koristiti u mikrovalnoj pećnici

Posuda	Napomene
Posude za pečenje	Slijedite upute proizvođača. Dno posude za pečenje mora biti najmanje 5 mm iznad okretnice. Nepravilno rukovanje može dovesti do loma okretnice.

Posuda	Napomene
Tanjuri	Koristite samo tanjure i posuđe koje je prikladno za upotrebu u mikrovalnoj pećnici. Slijedite upute proizvođača. Nemojte koristiti puknute ili na drugi način oštećene posude.
Staklene posude	Neka uvijek budu bez poklopcā. Jelo samo podgrijavajte. Nemojte kuhati! Većina staklenih posuda i staklenki nije otporna na visoke temperature i može popucati.
Staklene posude za pečenje	Koristite samo one staklene posude za pečenje koje su otporne na visoke temperature. Provjerite da posuda nema metalne ručke ili bilo što drugo metalno. Nemojte koristiti puknute ili na drugi način oštećene posude.
Vrećice za pečenje	Slijedite upute proizvođača. Ne zatvarajte metalnim kopčama, spajalicama i sličnim predmetima. Vrećicu ostavite malo otvorenu kako bi vruće pare mogle slobodno izlaziti.
Papirnati tanjuri	Prikladni su samo za podgrijavanje ili kratko kuhanje. Tijekom kuhanja ne ostavljajte pećnicu bez nadzora.
Papirnati ručnici	Koristite ih za pokrivanje namirnica i skupljanje suviška masnoće. Koristite samo za kratko kuhanje. Ne ostavljajte bez nadzora tijekom kuhanja.
Masni papir za pečenje	Koristi se za pokrivanje ili zamatanje hrane kada namirnice pečemo u njihovom vlastitom soku kako ne bi prskalo po pećnici.
Plastični materijali	Koristite samo tanjure i posuđe koje je prikladno za upotrebu u mikrovalnoj pećnici. Slijedite upute proizvođača. Plastični materijali koji su prikladni za upotrebu u mikrovalnoj pećnici moraju biti označeni s: „Prikladno za mikrovalne pećnice.“ Neke plastike omekšavaju zbog dugotrajne izloženosti visokim temperaturama. „Vrećice za kuhanje“ i vrećice za pečenje moraju biti probijene, otvorene ili nekim drugim načinom osiguran protok zraka u skladu s uputama proizvođača hrane.
Plastične ambalažne folije	Koristite samo tanjure i posuđe koje je prikladno za upotrebu u mikrovalnoj pećnici. Njima se poslužite kad je potrebno prekriti hranu i sačuvati joj vlagu za vrijeme pripreme. Pazite da plastične folije ne dotiču hranu koju pripremate.
Termometri	Koristite samo termometre prikladne za korištenje u mikrovalnoj pećnici. (Termometri za meso, kolače i slastice.)
Masni papir	Koristite ih za pokrivanje i zaštitu hrane, te da biste sačuvali vlažnost hrane tijekom kuhanja.

Materijali koje ne smijete koristiti u mikrovalnoj pećnici

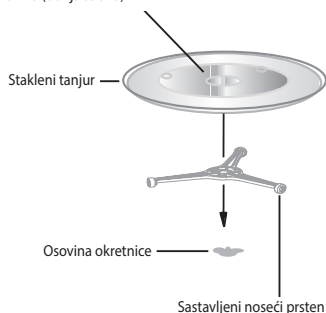
Posude i tanjuri	Napomene
Aluminijski podlošci i limovi za pečenje	Postoji opasnost od deformacije. Premjestite namirnice u posudu prikladnu za kuhanje u mikrovalnoj pećnici.
Kutije za hranu i kartonske kutije s metalnom ručkom	Postoji opasnost od deformacije. Premjestite namirnice u posudu prikladnu za kuhanje u mikrovalnoj pećnici.
Metalne posude i posuđe s metalnim dijelovima	Metal sprječava prolazak mikrovalova. Metalni dijelovi mogu se deformirati.
Čelični prsteni za poklopce	Postoji opasnost od izobličenja i požara u pećnici.
Papirnatē vrećice	Može prouzročiti požar. Postoji opasnost od požara unutar pećnice.
Pjenasti materijali	Kad je izložena visokim temperaturama, plastična pjena se može rastopiti i onečistiti hranu.
Drvo	Drvo se isušuje i može prsnuti tijekom kuhanja.

Upotreba materijala za pečenje i kuhanje u mikrovalnoj pećnici

Materijal	Mikrovalno kuhanje	Roštiljanje	Kombinacija
Vatrostalno staklo	Da	Da	Da
Obično staklo	Ne	Ne	Ne
Keramika pogodna za pečenje	Da	Da	Da
Plastično posuđe za mikrovalne pećnice	Da	Ne	Ne
Papir za pečenje	Da	Ne	Ne
Metalna rešetka	Ne	Da	Ne
Limovi za pečenje	Ne	Da	Ne
Aluminijska folija	Ne	Da	Ne

POSTAVLJANJE NOSEĆE OKRETNICE

Glavina (donja strana)



1. Nikad ne postavljajte stakleni tanjur naopako. Stakleni tanjur mora se stalno slobodno okretati.
2. Nikada ne koristite pećnicu bez nosećeg prstena i staklenog tanjura.
3. Sve namirnice i posude s njima moraju uvijek biti stavljene na stakleni tanjur.
4. Dođe li do oštećenja tanjura ili nosećeg prstena, javite se najbližem ovlaštenom servisu.

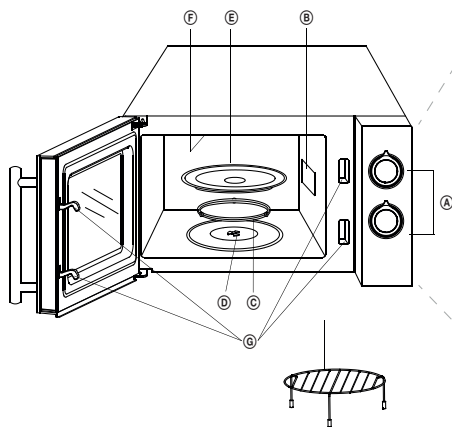
SASTAVLJANJE MIKROVALNE PEĆNICE

Nazivi dijelova pećnice i pribora

Raspakirajte pećnicu i sav pribor.

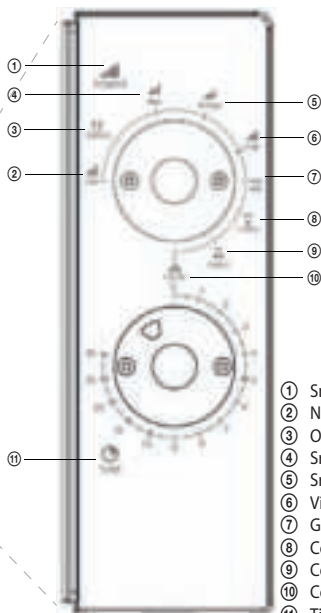
Pećnica se isporučuje sa sljedećim priborom:

Stakleni tanjur	1
Sastavljeni noseći prsten	1
Upute za uporabu	1



- (A) Upravljačka ploča
- (B) Valovod
- (C) Noseći prsten
- (D) Osovina okretnice
- (E) Stakleni tanjur

- (F) Gril
- (G) Sigurnosna brava
(U slučaju da se vrata otvore tijekom kuhanja, zaustavlja se dovod električne energije).



- ① Snaga
- ② Nisko
- ③ Odmrzavanje
- ④ Srednje
- ⑤ Srednje snažno
- ⑥ Visoko
- ⑦ Grill
- ⑧ Combi. 1
- ⑨ Combi. 2
- ⑩ Combi. 3
- ⑪ Timer (min)

MONTAŽA

Uklonite svu ambalažu, otpakirajte pribor.

Provjerite ima li kakvih oštećenja na pećnici (udubljena ili oštećena vrata i slično). Ako je pećnica oštećena na bilo koji način, nemojte je postavljati.

Kuhinjska radna ploha

Kućište pećnice: Odstranite sve zaštitne folije s površine kućišta.

Nemojte vaditi svijetlosmeđu foliju koja je nalijepljena u unutrašnjosti pećnice. Ta folija je zaštita za magnetron pećnice.

Instalacija

1. Mikrovalnu pećnicu trebate smjestiti na ravno mjesto koje osigurava dovoljno slobodnog prostora za pravilan rad ventilacijskih otvora.

Između peći i najbližeg zida mora biti udaljenost od najmanje 7,5 cm.

Povrh toga, najmanje jedna strana mora biti slobodna.

- Ostavite najmanje 30 cm prostora iznad pećnice.
- Ne skidajte noge pećnice.
- Nemojte blokirati ventilacijske otvore. To bi moglo dovesti do oštećenja pećnice.
- Postavite pećnicu što je dalje moguće od radio i TV uređaja. Mikrovalna pećnica može uzrokovati smetnje radio i TV signala.

2. Uključite pećnicu u običnu zidnu utičnicu. Provjerite slažu li se napon i frekvencija navedeni na natpisnoj pločici s naponom i frekvencijom u mreži.

UPOZORENJE: Pećnicu nemojte ugrađivati iznad kuhaće ploče, kao ni u njezinoj blizini, kao ni u blizini bilo kojeg drugog tijela koje proizvodi toplinu. Postavljanje pećnice u blizini predmeta povišene temperature može dovesti do oštećenja pećnice i prestanka važenja garancije.

Mikrovalna pećnica je projektirana za slobodno postavljanje i ne smije se ugrađivati u ormariće.

Za vrijeme rada površina pećnice može biti vruća.



Upravljačka ploča i funkcije

- Podesite snagu pećnice okretanjem kotačića (Power) na željenu razinu.
- Podesite vrijeme kuhanja okretanjem kotačića za određivanje trajanja kuhanja (Time) na željeno trajanje, ovisno o hrani koja se priprema (najv. 30 minuta).
- Nakon postavljanja snage i vremena mikrovalna pećnica automatski će početi kuhati.
- Po isteku zadanog vremena kuhanja pećnica se isključuje.
- Kada pećnicu ne upotrebljavate, ostavite kotačić za regulaciju vremena na „0“.

Napomena: Ako želite postaviti vrijeme kuhanja koje je kraće od dvije minute, okrenite kotačić na vrijeme koje je dulje od 2 minute, a zatim ga vratite na željeno vrijeme.

Zagrijavanje mikrovalovima

Za zagrijavanje isključivo mikrovalovima, na raspolaganju je pet razina snage koje dobro odgovaraju svojim svrhama. Snaga se povećava kad se kotačić okreće udesno. Stupnjevi snage označeni su sljedećim oznakama:

Izlazna snaga	Opis
100 %	HIGH
81%	M.HIGH
58%	MED
36%	DEFROST
18%	LOW

Roštiljanje

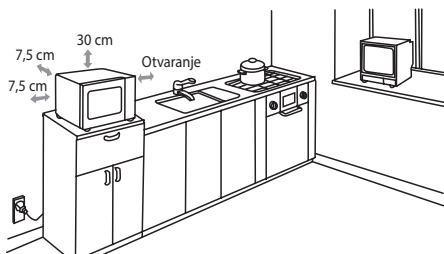
Okretanjem kotačića u smjeru kazaljki na satu do posljednje, najviše razine snage (položaj GRIL ⑦), uključuje se roštilj kojim je posebno preporučljivo peći tanke komade mesa, odreske, kotlete, čevapčiče, kobasice ili komade piletine. Ovaj je način prikladan i za preipremu toplih sendviča i jela od cjelovitih žitarica.

Kombinirani način

Kao što ime govori, ovaj način kuhanja kombinacija je mikrovalnog grijanja i roštilja. Način je dostupan u tri razine snage koje se sastoje od različitih omjera snage mikrovalnog grijanja i roštilja. Razine su opisane u donjoj tablici. Kombinirani način posebno je prikladan za određene vrste hrane. Također pomaže postići hrskavu koru.

Sljedeća tablica opisuje 3 različite postavke kombiniranog načina.

Program	Zagrijavanje mikrovalovima	Roštiljanje	Prikladno za
Combi. 1	30%	70%	Riba, krumpir, jela od cjelovitih žitarica
Combi. 2	49%	51%	Puding, omljet, pečeni krumpir
Combi. 3	67%	33%	Perad



UKLANJANJE POTEŠKOĆA

Česti	
Mikrovalna pećnica ometa rad TV prijemnika.	Mikrovalna pećnica svojim radom može izazvati smetnje pri prijemu radija i televizije. Te smetnje slične su smetnjama koje uzrokuju mali električni aparati kao što su mikser, usisavač ili električni ventilator.
Svjetlo u pećnici je slabo.	Kod korištenja mikrovalova niske snage može se svjetlo u pećnici smanjiti.
Na vratima se kondenzira para, a iz ventilacijskih otvora izlazi vrući zrak.	Za vrijeme kuhanja iz namirnica može izlaziti para. Većina pare izlazi kroz ventilacijske otvore, ali dio se može sakupiti na hladnijim dijelovima, kao što su to vrata. To je normalna pojava.
Mikrovalna pećnica je greškom uključena prazna.	Nemojte uključiti pećnicu dok je prazna. To je vrlo opasno.

Problem	Mogući uzrok	Rješenje
Pećnica se ne može uključiti.	(1) Kabel za napajanje nije čvrsto priključen u utičnicu.	Isključite kabel za napajanje. Nakon oko 10 sekundi uključite kabel u utičnicu.
	(2) Pregorio je osigurač ili se isključila sigurnosna sklopka.	Zamijenite osigurač ili resetirajte zaštitnu sklopku (popravlja tehničar iz naše tvrtke).
	(3) Problem s utičnicom.	Pokušajte spojiti neki drugi električni uređaj u istu utičnicu.
Pećnica ne grije.	(4) Vrata nisu pravilno zatvorena.	Dobro zatvorite vrata.
Okretnica proizvodi buku za vrijeme rada mikrovalne pećnice.	(5) Onečišćeni su dno pećnice ili noseće prstenje.	Očistite pećnicu sukladno poglavlju „Čišćenje“.

TEHNIČKI PODACI

Obujam:	20 l	Nazivni napon:	230–240 V~ 50 Hz
Mikrovalna snaga:	700 W	Nazivna snaga:	1.200 W
Timer:	30 minuta	Radna frekvencija:	2.450 MHz
Regulacija snage:	5 razina	Buka:	55 dB
Okretnica:	Ø 245 mm	Grill:	900 W
Masa:	11,3 kg		
Dimenzije:	452 × 262 × 364 mm		
Unutarnje dimenzije:	315 × 198 × 297 mm		

OPORABA I ZBRINJAVANJE OTPADA

Papirni otpad i kartonsku ambalažu predajte u reciklažna dvorišta. Foliju za pakiranje, vrećice od polietilena i plastične dijelove odložite u kontejnere za plastiku.

ODLAGANJE PROIZVODA NAKON ISTEKA RADNOG VIJEKA

Odlaganje otpada električne i elektroničke opreme (primjenjivo u državama članicama EU i drugim europskim zemljama koje su uspostavile sustave razvrstavanja otpada)

Oznaka koja je navedena na proizvodu ili na ambalaži označava da se proizvod ne smije zbrinjavati kao kućni otpad. Proizvod odložite na mjesto određeno za recikliranje električne i elektroničke opreme. Ispravnim odlaganjem proizvoda sprječavate negativne utjecaje na zdravlje ljudi i okoliš. Reciklažom materijala pomažete očuvanje prirodnih resursa. Dodatne informacije o recikliranju ovog proizvoda pružit će vam lokalne vlasti, organizacija za preradu kućnog otpada ili prodajno mjestu na kojem ste kupili proizvod.

Ovaj proizvod je usklađen s direktivama EU o elektromagnetskoj kompatibilnosti i električnoj sigurnosti.

Upute za uporabu dostupne su na web stranici www.ecg-electro.eu

Pravo na izmjenu teksta i tehničkih parametara je pridržano.



08/05



ISTRUZIONI DI SICUREZZA

Leggere attentamente e conservare per uso futuro!

Attenzione: Le misure di sicurezza e le istruzioni contenute in questo manuale non includono tutte le condizioni e situazioni possibili. È compito dell'utente comprendere che il buon senso, la prudenza e la cura sono dei fattori esterni ad ogni prodotto. Pertanto, questi fattori dovranno essere assicurati dall'utente/dagli utenti che utilizzano e fanno funzionare questo apparecchio. Il produttore non verrà ritenuto responsabile per danni che si verificano durante la spedizione, l'utilizzo improprio, il cambiamento o la regolazione di qualsiasi parte dell'apparecchio.

Per la protezione contro il rischio di incendi o scosse elettriche, è necessario prendere precauzioni di base durante l'utilizzo dell'apparecchiatura elettrica, tra cui:

1. Assicurarsi che la tensione nella presa corrisponda alla tensione sull'etichetta del dispositivo e che la presa sia messa a terra in modo adeguato. La presa deve essere installata in conformità con le norme elettriche applicabili secondo la normativa EN.
2. Non utilizzare il forno a microonde se la porta è danneggiata in alcun modo, se non funziona correttamente o se il cavo di alimentazione è danneggiato.

AVVERTENZA: È pericoloso che persone non addestrate per effettuare interventi di riparazione o di manutenzione rimuovano le coperture che forniscono protezione contro le radiazioni a microonde.

Tutte le riparazioni o le regolazioni, compresa la sostituzione del cavo, devono essere eseguite da un centro di assistenza professionale! Il cavo deve essere scollegato dalla presa di corrente prima di eseguire la riparazione. Rimuovendo le coperture con l'alimentazione accesa, il tecnico del forno a microonde può rischiare di essere esposto a energia a microonde e scosse elettriche!

3. Proteggere l'apparecchio da un contatto diretto con l'acqua o con altri liquidi per evitare scosse elettriche. Non immergere il cavo o la spina in acqua!

4. Non utilizzare il forno a microonde all'aperto o in un ambiente umido e non toccare il cavo di alimentazione o l'apparecchio con le mani bagnate. Pericolo di scosse elettriche.
5. Prestare particolare attenzione quando si utilizza il forno nelle vicinanze dei bambini.
6. Non lasciare il forno a microonde in esecuzione automatica.
7. Si consiglia di non per lasciare collegato il forno incustodito. Scollegare il cavo dalla presa elettrica prima di eseguire qualsiasi manutenzione. Non staccare il cavo di alimentazione dalla presa tirandolo. Scollegare il cavo dalla presa afferrando la spina.
8. Non utilizzare un forno a microonde vicino a fonti di calore, come una piastra calda. Proteggerlo dalla luce diretta del sole.
9. Non permettere che il cavo venga a contatto con superfici calde o che venga portato su spigoli taglienti.
10. Prevenire gli incendi all'interno del forno osservando quanto segue:
 - a) Non surriscaldare il cibo.
 - b) Rimuovere eventuali punti metallici prima di inserire sacchetti di carta o di plastica nel forno.
 - c) Non riscaldare olio o grasso nel forno, in quanto la temperatura dell'olio non può essere regolata. Non friggere il cibo all'interno del forno. L'olio bollente può danneggiare parti del forno e utensili da cucina oltre a provocare ustioni.
 - d) Dopo l'uso, pulire lo sportello, la guarnizione dello sportello e l'interno del forno con un panno imbevuto in una soluzione detergente e asciugare. Questo rimuove eventuale sporcizia, grasso ed eventuali residui di cibo.

AVVERTENZA: Il forno non deve essere utilizzato se la porta o la guarnizione della stessa sono danneggiate, farle riparare da personale specializzato. Il forno deve essere adeguatamente pulito ed eventuali residui di cibo rimossi. La mancata osservanza di mantenere il forno pulito potrebbe causare danni alla superficie, il che potrebbe compromettere la durata dell'apparecchio e causare una situazione pericolosa. Il grasso lasciato accumulare può surriscaldarsi e causare un incendio.

Non utilizzare detergenti abrasivi.

Non pulite l'apparecchio con un agente di pulizia a vapore.

- e) Se il cibo cotto nel forno inizia a fumare o si incendia, lasciare la porta del forno chiusa, spegnere il forno ed estrarre la spina di alimentazione dalla presa di corrente per evitare la propagazione di eventuali incendi.
 - f) Quando si utilizza plastica monouso, carta o altri materiali infiammabili, non lasciare il forno incustodito per impedire che si incendino.
11. Limitare il rischio di esplosione o improvvisa ebollizione osservando quanto segue:
- AVVERTENZA: Liquidi e altri alimenti non devono essere riscaldati chiusi in contenitori a chiusura ermetica in quanto potrebbero esplodere. I contenitori chiusi includono anche biberon con tappo a vite o tettarella.**
- a) Utilizzare un contenitore largo con collo per riscaldare i liquidi e lasciarli riposare per 20 secondi dopo il riscaldamento per evitare l'ebollizione eruttiva.
 - b) Le uova con il guscio, le uova sode, l'acqua contenente grasso o olio e i recipienti di vetro chiusi non possono essere riscaldati nel forno a microonde, in quanto potrebbero esplodere anche dopo che il riscaldamento è terminato. Patate, salsicce o castagne devono essere sbucciate o incise prima di inserirle nel forno.
 - c) Il riscaldamento a microonde di bevande può causare ebollizione ritardata che dovrà essere presa in considerazione quando si tiene il contenitore.
 - d) Il contenuto di biberon e vasetti con alimenti per l'infanzia deve essere mescolato o agitato prima di essere servito e la sua temperatura deve essere controllata per evitare ustioni.
12. I contenitori sono molto caldi dopo essere stati riscaldati. Utilizzare presine per rimuoverli. Prestare attenzione alle ustioni di viso e mani causate dal contatto con il vapore caldo.
13. Sollevare sempre il bordo più lontano del coperchio o l'involucro del cibo. Aprire i sacchetti di popcorn e le buste di cottura a sufficiente distanza dal viso.
14. Protezione contro la rottura del piatto girevole:

- a) Lasciar raffreddare il piatto girevole prima di pulirlo.
 - b) Non posizionare cibo caldo o contenitori sul piatto girevole.
 - c) Non posizionare alimenti surgelati o contenitori freddi sul piatto girevole caldo.
15. Assicurarsi che i contenitori non tocchino le pareti interne del forno durante il processo di riscaldamento.
 16. Non conservare cibo o altri oggetti all'interno del forno. Se un fulmine colpisce la rete di alimentazione, potrebbe accendere il forno.
 17. Non utilizzare il forno se non contiene alcun cibo o liquidi. Ciò può causare danni al forno. Non bloccare o ostruire le aperture di ventilazione del forno.
 18. Utilizzare solo accessori raccomandati dal produttore, diversamente si rischia di perdere la garanzia.
 19. Utilizzare il forno a microonde solo in conformità con le istruzioni contenute in questo manuale. Questo forno a microonde è stato progettato ad uso esclusivamente domestico. Il produttore non è responsabile per danni causati da un uso improprio di questo apparecchio.
 20. Il forno a microonde è progettato per riscaldare cibi e bevande. Essiccare cibo o asciugare indumenti e riscaldare cuscini riscaldanti, pantofole, spugne di lavaggio, tessuti umidi e oggetti simili può comportare il rischio di lesioni, accensione o incendio.
 21. Questo apparecchio è progettato per l'uso domestico e in luoghi simili, tra cui:
 - angoli cottura in negozi, uffici e altri luoghi di lavoro;
 - apparecchi utilizzati nel settore agricolo;
 - apparecchi utilizzati dagli ospiti in alberghi, motel e altre aree residenziali;
 - apparecchi utilizzati in strutture bed and breakfast.
 22. Questo apparecchio può essere utilizzato da bambini di età superiore a 8 anni e da persone con disabilità fisica o mentale, o da persone con conoscenze o esperienza insufficienti, a condizione che siano supervisionati o siano stati istruiti riguardo all'uso del dispositivo in modo sicuro e che comprendano i rischi potenziali di un uso non corretto. I bambini non devono giocare con l'apparecchio. Pulizia e manutenzione eseguite dall'utente non dovrebbero essere fatte dai bambini a meno che abbiano più di 8 anni e siano sotto supervisione.

Non esporsi ad un eccesso di energia a microonde

1. Non tentare di far funzionare il forno a microonde se la porta è aperta. In questo modo, si può essere esposti alle microonde dannose. Non tentare di rompere o tenere le serrature di sicurezza sulla porta del forno.
2. Non inserire oggetti estranei tra la porta e il forno. Assicurarci che sporco e residui dei detersivi non rimangano su superfici di tenuta e guarnizioni dello sportello del forno.
3. Non utilizzare il forno se danneggiato. È necessario che lo sportello del forno venga sigillato dopo la chiusura e che non sia danneggiato.
Esempi di danni causati alla porta del forno:
 - a) AMMACCATURA della porta del forno.
 - b) Allentamento o rottura dei CARDINI o degli ELEMENTI DI SICUREZZA della porta.
 - c) GUARNIZIONE DELLA PORTA O ZONE DI TENUTA NELLA PARTE ANTERIORE.Le regolazioni o riparazioni del forno a microonde devono essere eseguite solo da personale qualificato.
4. Come la maggior parte dei dispositivi di cottura, è necessaria una stretta sorveglianza per ridurre il rischio di incendio all'interno del forno.

Se si verifica un incendio:

1. Non aprire la porta del forno.
2. Spegner il forno e scollegare il cavo.
3. Spegner l'interruttore di alimentazione principale.

PULIZIA

Assicurarci di aver staccato il forno dalla presa staccando la spina dalla presa di corrente.

1. Usare un panno umido per pulire l'interno del forno.
2. Pulire gli accessori come al solito in acqua saponata.
3. Pulire attentamente il telaio sporco della porta, la guarnizione e le parti vicine con un panno umido immerso in detersivo per piatti e asciugare.

Il forno a microonde deve essere collegato a terra. La spina deve essere collegata a una presa a terra.

In caso di dubbi sulla correttezza dell'impianto elettrico o sul malfunzionamento del forno, contattare un elettricista qualificato o un tecnico di assistenza.

1. Il forno a microonde è dotato di un cavo corto per ridurre il rischio di caduta e grovigli.
2. Le prolunghe devono soddisfare i seguenti requisiti:
 - a) In termini di carichi elettrici consentiti, i valori nominali della prolunga e della presa devono corrispondere al valore nominale del forno a microonde.
 - b) La prolunga deve essere a tre fili e la spina e la presa devono essere munite di un pin di messa a terra.
 - c) Il cavo deve essere ben nascosto affinché non penzoli inutilmente sopra il piano di lavoro della cucina e affinché i bambini non possano inciampare o tirare il cavo.

UTENSILI E STOVIGLIE

ATTENZIONE

Pericolo di lesioni

Utilizzare solo contenitori che siano idonei per l'uso nei forni a microonde. I contenitori sigillati possono esplodere se riscaldati. I contenitori chiusi devono essere aperti prima della cottura e le confezioni di plastica forate, vedere Materiali che possono e non possono essere utilizzati per la cottura nel forno a microonde. Ci sono alcuni materiali non metallici che potrebbero essere di utilizzo non sicuro per la cottura nel forno a microonde. Se non si è sicuri se il materiale possa essere utilizzato in modo sicuro durante la cottura in un forno a microonde, procedere come segue:

Testare il contenitore:

1. Riempire il piatto previsto per la cottura a microonde con acqua fredda (250 ml).
2. Scaldare per 1 minuto alla massima potenza di cottura.
3. Controllare accuratamente la temperatura del contenitore. Se il piatto testato è caldo, non usarlo per la cottura nel forno a microonde.
4. Non cuocere più di 1 minuto.

PERICOLO per i bambini: I bambini non devono giocare con il materiale di imballaggio. Non lasciar giocare i bambini con i sacchetti di plastica. Pericolo di soffocamento.



Superficie calda!

Materiali che si possono utilizzare per la cottura nel forno a microonde

Contenitori	Note
Vaschette di cottura	Seguire le istruzioni del produttore. Il fondo della teglia deve essere ad almeno 5 mm dal piatto girevole. L'uso improprio può portare alla rottura del piatto girevole.
Piatti	Utilizzare solo piatti destinati all'uso in forni a microonde e su piastre. Seguire le istruzioni del produttore. Non usare piatti rotti o diversamente danneggiati.
Vasetti di vetro e brocche	Rimuovere sempre il coperchio. Riscaldare solo il cibo. Non cucinare! La maggior parte dei vasi e bicchieri in vetro non resistono alle alte temperature e possono rompersi.
Piatti da forno in vetro	Utilizzare solo piatti di cottura in vetro resistenti alle alte temperature. Assicurarsi che la ciotola non disponga di un bordo in metallo o di altre parti metalliche. Non usare piatti rotti o diversamente danneggiati.
Sacchetti di cottura	Seguire le istruzioni del produttore. Non chiudere con graffe metalliche. Lasciare il sacchetto leggermente aperto consentendo il rilascio libero del vapore caldo.
Vaschette di carta	Adatte solo per il riscaldamento o la cottura breve. Non lasciare il forno incustodito durante la cottura.
Tovaglioli di carta	Utilizzare per coprire i piatti e per rimuovere il grasso disciolto. Utilizzarli solo per cottura a breve termine. Non lasciare il forno incustodito durante la cottura.
Carta pergamena	Utilizzare per coprire gli alimenti, per coprire il cibo durante la stufatura e per evitare schizzi nel forno.
Materiale plastico	Utilizzare solo piatti destinati all'uso in forni a microonde e su piastre. Seguire le istruzioni del produttore. Un materiale plastico adatto per l'utilizzo in un forno a microonde deve avere una marcatura specifica: "Adatto per forni a microonde." Alcuni tipi di plastica diventano più morbidi a causa di un'esposizione prolungata ad alte temperature. "Sacchetti di cottura" e sacchetti da forno devono essere tagliati, forati o altrimenti ventilati secondo le istruzioni del fornitore dell'alimento.
Pellicola per imballaggio in plastica	Utilizzare solo piatti destinati all'uso in forni a microonde e su piastre. Utilizzare per coprire gli alimenti e mantenere l'umidità durante la cottura. Assicurarsi che la pellicola di plastica non tocchi il cibo che viene preparato.
Termometri	Utilizzare solo termometri che siano idonei per l'uso nei forni a microonde. (Termometri per carne, pasticceria e dolci).
Carta oleata	Utilizzarla per coprire il cibo, per evitare schizzi nel forno e per mantenere l'umidità durante la cottura.

Materiali che non devono essere utilizzati per la cottura in forno a microonde

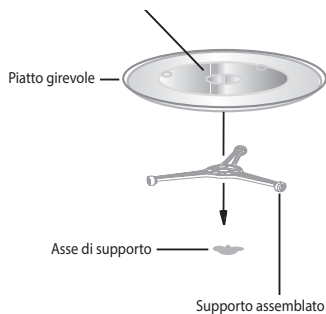
Utensili e stoviglie	Note
Piatti e teglie in alluminio	Rischio di piegatura. Spostare il cibo in un piatto adatto alla cottura in forno a microonde.
Scatole alimentari e di cartone con maniglie metalliche	Rischio di piegatura. Spostare il cibo in un piatto adatto alla cottura in forno a microonde.
Piatti di metallo e piatti con oggetti metallici	Il metallo impedisce la penetrazione dell'energia a microonde. I bordi di metallo si possono piegare.
Anelli di chiusura cablati	Rischio di distorsione e incendio all'interno del forno.
Sacchetti di carta	Pericolo di incendio. Rischio di fuoco all'interno del forno.
Materiale in schiuma	A causa delle temperature elevate, la schiuma plastica può sciogliersi e degradare gli alimenti.
Legno	Il legno secca e può rompersi durante la cottura.

Utilizzo di materiali per grigliatura e cottura nel forno a microonde

Materiale	Cottura a microonde	Grigliatura	Combinato
Vetro pyrex	Sì	Sì	Sì
Vetro comune	No	No	No
Ceramica progettata per la cottura	Sì	Sì	Sì
Piatti in plastica per microonde	Sì	No	No
Carta da forno	Sì	No	No
Creagliera metallica	No	Sì	No
Placche, vassoi in metallo	No	Sì	No
Foglio di alluminio	No	Sì	No

INSTALLAZIONE DEL PIATTO GIREVOLE

Hub (lato inferiore)



1. Non appoggiare il piatto girevole a faccia in giù. Il piatto girevole deve sempre girare liberamente.
2. Non usare mai il forno senza l'anello girevole e il vassoio di vetro.
3. Tutti gli alimenti e i piatti con alimenti devono essere sempre posizionati sul piatto girevole.
4. Se il vassoio di vetro si rompe o l'anello girevole è danneggiato, rivolgersi al centro di assistenza autorizzato più vicino.

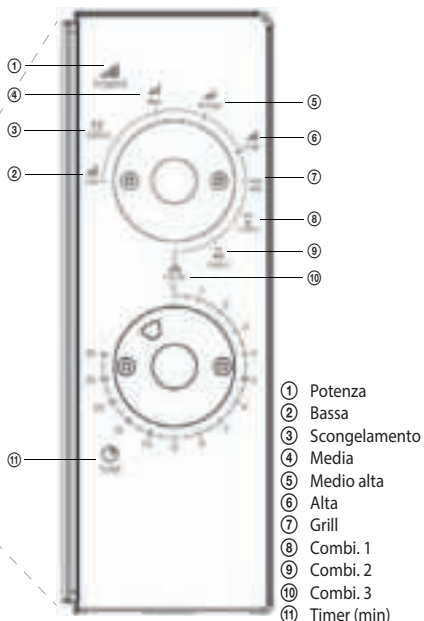
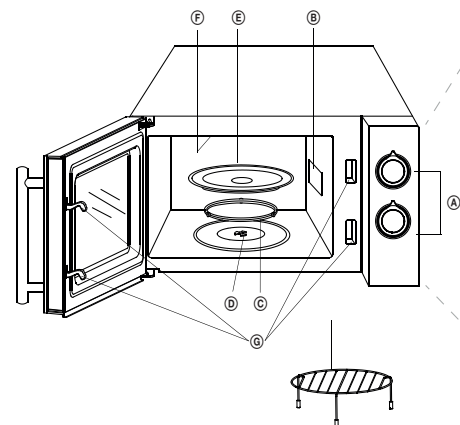
INSTALLAZIONE DEL FORNO A MICROONDE

Ricambi e caratteristiche

Disimballare il forno e tutti gli accessori.

Il forno viene fornito con i seguenti accessori:

- Vassoio in vetro 1
- Supporto assemblato 1
- Manuale d'uso 1



- (A) Pannello di controllo
- (B) Sistema direzionale delle microonde
- (C) Supporto
- (D) Asse di supporto
- (E) Piatto girevole
- (F) Griglia
- (G) Sistema blocco di sicurezza (Interrompe l'alimentazione se la porta viene aperta durante la cottura).

- ① Potenza
- ② Bassa
- ③ Scongelamento
- ④ Media
- ⑤ Medio alta
- ⑥ Alta
- ⑦ Grill
- ⑧ Combi. 1
- ⑨ Combi. 2
- ⑩ Combi. 3
- ⑪ Timer (min)

INSTALLAZIONE

Rimuovere tutto il materiale di imballaggio ed estrarre tutti gli accessori.

Assicurarsi che il forno non sia danneggiato (sportello ammaccato o danneggiato, ecc.). Non installare il forno a microonde se danneggiato.

Piano di lavoro cucina

Corpo del forno: Rimuovere tutta la pellicola protettiva dalla superficie del forno.

Non rimuovere la pellicola marrone chiaro, avvitata all'interno del forno. Questa pellicola protegge il magnetron del forno.

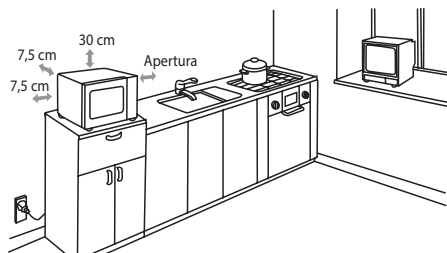
Installazione

1. Posizionare il forno su una superficie piana con una quantità di spazio intorno all'apparecchio sufficiente per garantire il corretto funzionamento dei fori di ventilazione.

La distanza minima tra il forno e la parete più vicina deve essere di 7,5 cm.

Almeno un lato deve essere spazio aperto.

- a) Lasciare almeno 30 cm di spazio libero sopra il forno.
- b) Non rimuovere i piedini del forno.
- c) Non ostruire le aperture di scarico. Il forno potrebbe essere danneggiato.
- d) Posizionare il forno più lontano possibile dalla radio o dalla televisione. Un forno a microonde può causare interferenze con i segnali radio e TV.



- Collegare il forno a una rete elettrica standard. Assicurarsi che la tensione e la frequenza elencati sull'etichetta sul forno corrispondano alla tensione e alla frequenza della rete di alimentazione.

ATTENZIONE: Non installare il forno sopra il piano cottura, vicino ad esso o vicino ad altre apparecchiature di riscaldamento. Posizionare il forno vicino a un dispositivo di riscaldamento può causare danni al forno e invalidare la garanzia.

Il forno a microonde è destinato ad essere utilizzato in uno spazio aperto e non deve essere collocato in un armadio.

La superficie del forno a microonde può surriscaldarsi durante il funzionamento.



Pannello di controllo e funzioni

- Impostare la potenza di cottura ruotando il regolatore (Potenza) sul livello desiderato.
- A seconda del tipo di alimento da preparare, impostare la durata della cottura ruotando il timer (Time) sull'intervallo desiderato (max. 30 minuti).
- Il forno a microonde si avvia automaticamente dopo che la potenza e la durata della cottura sono state impostate.
- Il forno interrompe la cottura dopo che è trascorso il tempo impostato.
- Lasciare il timer impostato a "0" se non si sta utilizzando il forno a microonde.

Nota: Per selezionare un tempo di cottura inferiore a due minuti, ruotare la manopola superando i 2 minuti e poi tornare al valore desiderato.

Riscaldamento a microonde

Per il puro riscaldamento a microonde sono disponibili cinque livelli di potenza ben adatti alle attività desiderate. La potenza aumenta quando la manopola è ruotata verso destra. I livelli di potenza sono descritti come segue:

Potenza in uscita	Descrizione
100%	ALTA
81%	MEDIO ALTA
58%	MEDIA
36%	SCONGELAMENTO
18%	BASSA

Grigliatura

Ruotando la manopola in senso orario al livello di potenza più alto delle microonde (posizione GRILL ⑦) si passa alla modalità grill, che è particolarmente utile per fette di carne sottili, bistecche, cotolette, kebab, salsicce o pezzi di pollo. Questa modalità è adatta anche per preparare panini caldi e piatti integrali.

Modalità combinata

Come suggerisce il nome, questa modalità di cottura combina il riscaldamento a microonde e la grigliatura. La modalità è disponibile in tre livelli di potenza che combinano tre diversi livelli di potenza di riscaldamento a microonde e grigliatura. I livelli sono descritti nella tabella seguente. La modalità combinata è particolarmente adatta per alcuni tipi di alimenti. Aiuta inoltre a raggiungere la croccantezza.

La tabella seguente descrive 3 diverse impostazioni per la modalità combinata.

Programma	Riscaldamento a microonde	Grigliatura	Adatto per
Combi. 1	30%	70%	Pesce, patate, piatti integrali
Combi. 2	49%	51%	Budini, omelette, patate al forno
Combi. 3	67%	33%	Pollame

RISOLUZIONE DEI PROBLEMI

Comune	
Il forno a microonde interferisce con la ricezione televisiva.	Il forno a microonde in funzione può causare interferenze con la ricezione di radio e televisione. È simile all'interferenza di piccoli elettrodomestici, quali il frullatore, l'aspirapolvere e il ventilatore elettrico.
La luce nel forno si attenua.	La luce nella cavità del forno può attenuarsi quando è impostata una potenza di cottura inferiore.
Il vapore compare sullo sportello, dalle prese d'aria esce aria calda.	Gli alimenti possono emettere vapore durante la cottura. La maggior parte del vapore viene rilasciato attraverso le aperture di scarico, anche se alcune possono accumularsi in un luogo fresco, come la porta. Questo effetto è normale.
Il forno è stato acceso vuoto per errore.	Il forno non dovrebbe essere utilizzato vuoto. È molto pericoloso.

Problema	Possibile causa	Correzione
Il forno non partirà.	(1) Il cavo non è ben inserito nella presa.	Scollegare il cavo dalla presa di corrente. Dopo circa 10 secondi, ricollegare il cavo nella presa.
	(2) Fusibile o interruttore spento.	Sostituire il fusibile o ripristinare l'interruttore automatico (riparato da un tecnico della nostra azienda).
	(3) Problemi con la presa.	Provare a collegare un altro apparecchio elettrico alla presa di corrente.
Il forno non scalda.	(4) La porta non è chiusa correttamente.	Chiudere la porta correttamente.
Il piatto girevole emette rumori quando il forno è in funzione.	(5) Il piatto girevole e la parte inferiore del forno sono sporchi.	Pulire il forno secondo le istruzioni indicate nel capitolo "Pulizia".

DATI TECNICI

Volume:	20 l	Tensione nominale:	230-240 V~ 50 Hz
Potenza di cottura:	700 W	Tensione nominale in ingresso:	1.200 W
Timer:	30 minuti	Frequenza di funzionamento:	2.450 MHz
Impostazione della potenza:	5 livelli	Livello di rumore:	55 dB
Piatto girevole:	Ø 245 mm	Grill:	900 W
Peso:	11,3 kg		
Dimensioni:	452 × 262 × 364 mm		
Dimensioni interne:	315 × 198 × 297 mm		

USO E SMALTIMENTO DEI RIFIUTI

Carta da imballaggio e cartone ondulato – consegnare in discarica. Pellicola di imballaggio, sacchetti in PE, elementi in plastica – gettare nel contenitore per il riciclaggio della plastica.

SMALTIMENTO DEI PRODOTTI A FINE VITA

Smaltimento di apparecchiature elettriche ed elettroniche (valido per i Paesi membri dell'Unione Europea e per altri Paesi europei con un sistema di riciclo implementato)

Il simbolo rappresentato sul prodotto o sulla confezione indica che il prodotto non deve essere trattato come rifiuto domestico. Consegnare il prodotto alla struttura specificata per il riciclaggio di apparecchiature elettriche ed elettroniche. Prevenire impatti negativi sulla salute umana e sull'ambiente riciclando correttamente il prodotto. Il riciclaggio contribuisce a preservare le risorse naturali. Per ulteriori informazioni sul riciclaggio di questo prodotto, fare riferimento alle autorità locali, all'organizzazione nazionale di trattamento dei rifiuti o al negozio dove è stato acquistato il prodotto.

Questo prodotto è conforme alle direttive UE in materia di compatibilità elettromagnetica e sicurezza elettrica.

Il manuale di istruzioni è disponibile sul sito www.ecg-electro.eu.

Il produttore si riserva il diritto ad effettuare cambiamenti del testo e dei parametri tecnici.



08/05



DROŠĪBAS INSTRUKCIJAS

Rūpīgi izlasiet un saglabāriet turpmākai uzziņai!

Bridinājums! Šajā rokasgrāmatā aprakstītie drošības pasākumi un norādījumi neietver visas iespējamās situācijas un apstākļus. Lietotājam ir jāsaprot, ka veselais saprāts, piesardzība un rūpība ir faktori, ko nevienā ierīcē nav iespējams integrēt. Par tiem ir jāparūpējas ierīces lietotājiem. Mēs neesam atbildīgi par bojājumiem, kas radušies pārvadāšanas laikā, vai ko izraisījusi nepareiza lietošana, sprieguma svārstības vai jebkuras ierīces daļas modificēšana vai regulēšana.

Lai aizsargātu elektriskas ierīces pret aizdegšanās vai strāvas trieciena risku, ir jāievēro pamata drošības pasākumi, tostarp šādi:

1. Pārlicinieties, ka rozetes spriegums atbilst uz ierīces marķējuma norādītajam un rozete ir pareizi iezemēta. Rozetei ir jābūt uzstādītai saskaņā ar attiecināmajiem EN elektrības kodeksiem.
2. Nelietojiet krāsni, ja durvis ir bojātas, ja tā nedarbojas pareizi, vai ja ir bojāts barošanas vads.

BRĪDINĀJUMS: ir bīstami neapmācītām personām veikt kādus remonta vai apkopes darbus un noņemt jebkādu pārsegu, kas nodrošina aizsardzību pret mikroviļņu radiāciju.

Visi remontdarbi vai regulējumi, tostarp vada nomaiņa, ir jāveic profesionālā apkopes centrā! Barošanas vada kontaktdakša jāizrauj no sienas rozetes pirms remontdarbu veikšanas. Noņemot pārsegu, kamēr ierīce ir pieslēgta pie elektrotikla, pastāv risks pakļaut ierīces tehniķi mikroviļņu enerģijai vai strāvas triecienam!

3. Aizsargājiet ierīci no tiešas saskares ar ūdeni un citiem šķidrumiem, lai nepieļautu strāvas trieciena risku. Neiegremdējiet barošanas vadu un kontaktdakšu ūdenī.
4. Neizmantojiet mikroviļņu krāsni ārpus telpām vai mitrā vidē, un nepieskarieties ierīcei vai vadam ar mitrām rokām. Strāvas trieciena risks.
5. Lietojot krāsni bērnu tuvumā, nepieciešama rūpīga uzraudzība.
6. Neatstājiet mikroviļņu krāsni nepieskatītu, kamēr tā darbojas.
7. Neatstājiet mikroviļņu krāsni bez uzraudzības, kamēr tā ir pievienota rozetei. Pirms apkopes veikšanas atvienojiet barošanas vadu no rozetes.

Neatvienojiet barošanas vadu no rozetes, raujot to. Atvienojiet vadu, satverot kontaktdakšu.

8. Neizmantojiet mikroviļņu krāsni karstuma avotu, piem., elektriskās plītiņas, tuvumā. Sargājiet ierīci no tiešiem saules stariem.
9. Neļaujiet barošanas vadam pieskarties karstām virsmām, un neļaujiet tam iet pār asām malām.
10. Nepieļaujiet aizdegšanos krāsni, ievērojot šādus noteikumus:
 - a) nepārkarsējiet ēdienu;
 - b) noņemiet skavas pirms papīra vai plastmasas maisiņu ievietošanas krāsni;
 - c) nesildiet krāsni cepamo eļļu vai taukus, jo nav iespējams regulēt eļļas temperatūru. Necepiet krāsni ēdienus. Karsta eļļa var sabojāt krāsni un virtuves piederumus, kā arī izraisīt apdegumus;
 - d) pēc lietošanas noslaukiet durvis, durvju blīvējumu un krāsns iekšpusi ar drānu, kas samērcēta mazgāšanas līdzekļa šķīdumā, pēc tam noslaukiet ar sausu drānu. Tādējādi notīrīsiet netīrumus, taukus un ēdiena atliekas.

BRĪDINĀJUMS: ja ir bojātas krāsns durvis vai durvju blīve, nelietojiet krāsni, līdz profesionāls tehniķis nav veicis remontu. Krāsns kārtīgi jātīra un jāsavāc visas ēdiena atliekas. Ja krāsns netiks uzturēta tīra, tas var sabojāt krāsns virsmu, kas negatīvi var ietekmēt ierīces kalpošanas laiku un novest pie bīstamām situācijām. Palikušās taukvielas var pārkarst un izcelties liesmas.

Neizmantojiet abrazīvus tīrīšanas līdzekļus.

Netīriet krāsni ar tvaika tīrīšanas līdzekli.

- e) ja krāsni gatavotais ēdiens sāk dūmot vai aizdegas, atstājiet durvis aizvērtas, izslēdziet krāsni un izraujiet krāsns kontaktdakšu no sienas rozetes, lai novērstu uguns izplatīšanos;
 - f) izmantojot vienreizējai lietošanai paredzētu plastmasu, papīru vai citus uzliesmojošus materiālus, neatstājiet mikroviļņu krāsni bez uzraudzības, lai novērstu aizdegšanos.
11. Ierobežojiet sprādziena vai pēkšņas vārīšanās risku, ievērojot šādus noteikumus:

BRĪDINĀJUMS: šķidrumus un citi ēdienus nedrīkst sildīt noslēgtos traukos, jo tiek var uzsprāgt. Noslēgtie trauki ietver arī mazuļu pudelītes ar skrūvējamu vāciņu vai knupi.

- a) Šķidrumu sildīšanai izmantojiet traukus ar plašu atvērumu un ļaujiet tiem pastāvēt 20 sekundes pēc sildīšanas, lai novērstu tvaika izplūdi.
 - b) Oļas čaumalā un cieti vārītas oļas, ūdeni ar taukiem vai eļļu un slēgtus stikla traukus nedrīkst sildīt mikroviļņu krāsnī, jo tie var uzsprāgt pat pēc sildīšanas. Kartupeļi, sardeles vai kastaņi pirms ievietošanas mikroviļņu krāsnī ir jānomizo vai jānoloba.
 - c) Dzērienu sildīšana mikroviļņu krāsnī var radīt novēlotu vārīšanos, kas jāpatur prātā, pēc tam turot tos rokās.
 - d) Mazuļu pudelju saturs un mazuļu ēdiens jāsamaisa vai jāsakrata pirms pasniegšanas un to temperatūra jāpārbauda, lai novērstu apdedzināšanos.
12. Trauki pēc uzsildīšanas ir ļoti karsti. Izmantojiet virtuves cimdu to izņemšanai. Uzmanieties no sejas un roku apdedzināšanas ar karstu tvaiku.
 13. Vienmēr paceliet vāka vai pārtikas iesaiņojuma tālāko malu. Atveriet popkorna maisiņus un cepšanas maisus drošā attālumā no sejas.
 14. Aizsargājiet rotējošo paplāti pret bojājumiem:
 - a) pirms tīrīšanas ļaujiet paplātei atdzist;
 - b) nenovietojiet karstu ēdienu vai traukus uz aukstas paplātes;
 - c) nenovietojiet saldētu ēdienu vai aukstus traukus uz karstas paplātes.
 15. Pārlicinieties, ka trauki sildīšanas laikā nepieskaras krāsns iekšējām malām.
 16. Neglabājiet krāsnī produktus vai citus priekšmetus. Ja zibens laikā rodas traucējumi elektrotīklā, krāsns var ieslēgties.
 17. Nelietojiet mikroviļņu krāsni, ja tajā nav ievietoti nekādi ēdieni vai šķidrumi. Tas var izraisīt krāsns bojājumus. Neaizsedziet un nebloķējiet nekādas krāsns atveres.
 18. Izmantojiet tikai ražotāja ieteiktus piederumus; pretējā gadījumā var tikt anulēta garantija.
 19. Izmantojiet mikroviļņu krāsni tikai saskaņā ar šajā rokasgrāmatā sniegtajām instrukcijām. Mikroviļņu krāsns ir paredzēta tikai mājas lietošanai. Ražotājs nav atbildīgs par bojājumiem, kas radušies, ierīci lietojot neatbilstoši.

20. Mikroviļņu krāsns ir paredzēta ēdienu un dzērienu sildīšanai. Ēdiena vai apģērbu žāvēšana vai termoforu, čību, mazgāšanās sūkļu, mitru audumu u.c. uzsildīšana var radīt savainojumu, aizdegšanās vai uzliesmošanas risku.
21. Šī ierīce ir paredzēta mājas lietošanai, kā arī:
- darbinieku virtuvēm veikalos, birojos un citās darba vietās;
 - lauksaimniecības lietojumiem;
 - viesu lietošanai viesnīcās un citās apmešanās vietās;
 - lietošanai naktsmītnēs.
22. Ierīci drīkst lietot bērni no 8 gadu vecuma un cilvēki, kam ir mazinātas fiziskās vai garīgās spējas vai trūkst pieredzes un zināšanu, ja tiem tiek nodrošināta uzraudzība vai ir sniegtas instrukcijas par ierīces drošu lietošanu un tie saprot iespējamās briesmas. Bērni nedrīkst ar ierīci spēlēties. Bērni nedrīkst veikt ierīces tīrīšanu un apkopi, ja vien tie nav vismaz 8 gadus veci un nav nodrošināta uzraudzība.

Nepakļaujiet sevi pārmērīgai mikroviļņu enerģijas iedarbībai

1. Nemēģiniet lietot mikroviļņu krāsni, ja durvis ir atvērtas. Tā rezultātā jūs varat tikt pakļauti kaitīgai mikroviļņu enerģijai. Nemēģiniet salauzt vai turēt drošības slēdzenes uz krāsns durvīm.
2. Neievietojiet priekšmetus starp krāsns durvīm. Pārliecinieties, ka netīrumu un tīrīšanas līdzekļa atliekas nepaliek uz mikroviļņu krāsns durvju blīvējuma un blīvējuma virsmām.
3. Nelietojiet krāsni, ja tā ir bojāta. Ir svarīgi, lai krāsns durvis cieši noslēdzas pēc aizvēršanas, un tās nav bojātas.
Krāsns durvju bojājumu piemēri:
 - a) Krāsns durvju IELIEKUMI.
 - b) Vaļīgas vai bojātas durvju ENĢES vai SARGI.
 - c) KRĀSNS DURVJU BLĪVJU VAI KORPUSA BLĪVJU BOJĀJUMI.
Mikroviļņu krāsns regulēšanu un remontu drīkst veikt vienīgi kvalificēts tehniķis.
4. Kā jau visu cepšanas ierīču gadījumā, nepieciešama mikroviļņu krāsns uzmanišana tās darbības laikā, lai mazinātu liesmu izcelšanās risku krāsns iekšpusē.

Ja izceļas liesmas:

1. Neatveriet krāsns durvis.
2. Izslēdziet krāsni un atvienojiet to no rozetes.
3. Izslēdziet galveno barošanas slēdzi.

TĪRĪŠANA

Atvienojot krāsni no elektrotīkla, atvienojot kontaktdakšu no rozetes.

1. Izmantojiet mitru drānu, lai iztīrītu krāsns iekšpusi.
2. Nomazgājiet piederumus kā parasti ziepjūdenī.
3. Netīrais durvju rāmis, blīvējums un blakus esošās daļas rūpīgi jānotīra ar mitru drānu, kas samērcēta mazgāšanas līdzekļa šķīdumā, pēc tam jānoslauka ar sausu drānu.

Mikroviļņu krāsnij ir jābūt iezemētai. Kontaktdakšu drīkst pievienot vienīgi pienācīgi iezemētai rozetei.

Ja rodas kādas šaubas par elektroinstalāciju vai krāsns darbības problēmu gadījumā, sazinieties ar kvalificētu elektriķi vai servisa centra speciālistu.

1. Mikroviļņu krāsnij ir īss barošanas vads, lai mazinātu pakļūšanas vai sapīšanās risku.
2. Gariem pagarinātājiem ir jāatbilst šādām prasībām:
 - a) Attiecībā uz elektrisko slodzi pagarinātāja un sienas rozetes nominālajām vērtībām ir jāatbilst mikroviļņu krāsns nominālajiem parametriem.
 - b) Pagarinātājam ir jābūt trīs vadu tipa, un kontaktdakšai jābūt aprīkotai ar zemējuma tapu.
 - c) Pagarinātājam jābūt labi paslēptam, lai tas nenokarātos pār virtuves leti, lai bērni nevarētu aizķerties aiz vada vai paraut to.

GALDA PIEDERUMI UN TRAUKI

UZMANĪBU

levainojumu risks

Izmantojiet tikai tādus traukus, kas ir piemēroti izmantošanai mikroviļņu krāsnīs. Cieši aizvērt trauki karsēšanas rezultātā var eksplodēt. Slēgti trauki jāatver pirms gatavošanas un plastmasas iepakojums jācaurdur; skatiet sadaļu par materiāliem, kurus drīkst un nedrīkst izmantot mikroviļņu krāsnī. Ir daži

nemetāliski materiāli, kurus nedrīkst droši izmantot mikroviļņu krāsnī. Ja neesat pārliecināts, vai materiālu var droši lietot mikroviļņu krāsnī, rīkojieties šādi:

Pārbaudiet trauku:

1. Piepildiet trauku, ko paredzēts izmantot mikroviļņu krāsnī, ar aukstu ūdeni (250 ml).
2. Karsējiet 1 minūti ar maksimālo jaudu.
3. Piesardzīgi pārbaudiet trauka temperatūru. Ja pārbaudāmais trauks ir silts, neizmantojiet to mikroviļņu krāsnī.
4. Nekarsējiet ilgāk par 1 minūti.

BRIESMAS bērniem: bērni nedrīkst spēlēt ar iepakojuma materiālu. Neļaujiet bērniem spēlēt ar plastmasas maisiem. Nosmakšanas risks.



Karsta virsma!

Materiāli, ko drīkst lietot mikroviļņu krāsnī

Trauks	Piezīmes
Cepšanas paplātes	Ievērojiet ražotāja norādījumus. Cepšanas trauka apakšai jāatrodas vismaz 5 mm virs rotējošās paplātes. Nepareiza apiešanās var izraisīt rotējošās paplātes saplaisāšanu.
Šķīvji	Izmantojiet tikai mikroviļņu krāsnij paredzētus šķīvjus un traukus. Ievērojiet ražotāja norādījumus. Nelietojiet iekļausēju vai citādi bojātas bļodas.
Stikla burkas un krūkas	Vienmēr noņemiet vāku. Tikai sildiet ēdienu. Nevāriet! Vairums stikla burku un glāžu nav piemērotas izmantošanai augstā temperatūrā un var saplīst.
Stikla cepšanas trauki	Izmantojiet tikai tādus stikla cepšanas traukus, kas izturīgi pret augstām temperatūrām. Pārlicinieties, ka bļodai nav metāla mala vai citas metāla daļas. Nelietojiet iekļausēju vai citādi bojātas bļodas.
Cepšanas maisi	Ievērojiet ražotāja norādījumus. Neaizveriet ar metāla skavām. Atstājiet maisu nedaudz atvērtu, ļaujot brīvi izplūst karstam tvaikam.
Papīra paplātes	Piemērotas tikai sildīšanai vai īsai gatavošanai. Gatavošanas laikā neatstājiet krāsnī nepieskatītu.
Papīra dvieļi	Izmantojiet trauku pārklāšanai un taukvielu satīrīšanai. Lietojiet vienīgi īsai gatavošanai. Gatavošanas laikā neatstājiet krāsnī nepieskatītu.
Cepamais papīrs	Izmantojiet, lai pārklātu ēdiena, iesaiņotu ēdienu sautēšanai, kā arī aizsardzībai pret izšļakstīšanos.
Plastmasas materiāli	Izmantojiet tikai mikroviļņu krāsnij paredzētus šķīvjus un traukus. Ievērojiet ražotāja norādījumus. Uz plastmasas materiāliem, kas piemēroti lietošanai mikroviļņu krāsnī, jābūt īpašam marķējumam: „Piemērots mikroviļņu krāsnij.” Dažas plastmasas kļūst mikstākas, ilgstoši atrodoties augstā temperatūrā. Gatavošanas maisi vai cepšanas maisi jāiegriež, jācaurdur vai kā savādāk jāvēdina atbilstoši pārtikas ražotāja norādījumiem.
Pārtikas plēve	Izmantojiet tikai mikroviļņu krāsnij paredzētus šķīvjus un traukus. Izmantojiet ēdiena pārklāšanai un mitruma saglabāšanai gatavošanas laikā. Pārlicinieties, ka iesaiņojuma folija nepieskaras gatavojamajam ēdienam.

Trauks	Piezīmes
Termometri	Izmantojiet tikai tādus termometrus, kas ir piemēroti izmantošanai mikroviļņu krāsnīs. (Termometri gaļai, konditorejas izstrādājumiem un cepumiem.)
Cepampapīrs	Izmantojiet ēdiena pārklāšanai, lai novērstu šķakstišanos uz krāsns sienām un mitruma saglabāšanai gatavošanas laikā.

Materiāli, ko nedrīkst izmantot mikroviļņu krāsnī

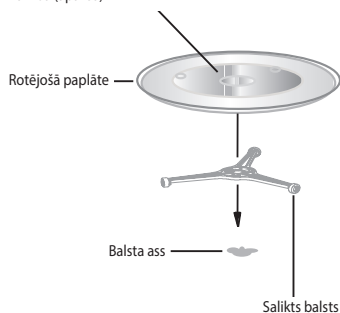
Galda piederumi un trauki	Piezīmes
Alumīnija šķīvji un paplātes	Saliekšanās risks. Pārliciet ēdienu citā traukā, kas piemērots lietošanai mikroviļņu krāsnī.
Ēdiena un kartona kastes ar metāla rokturiem	Saliekšanās risks. Pārliciet ēdienu citā traukā, kas piemērots lietošanai mikroviļņu krāsnī.
Metāla trauki un trauki ar metāla daļām	Metāls netaisnīgi cauri mikroviļņu enerģiju. Metāla malas var saliekties.
Aizvēšanas gredzeni ar stiepli	Pastāv deformēšanās un aizdegšanās risks krāsnī.
Papīra maisiņi	Aizdegšanās risks. Iespējama aizdegšanās krāsnī.
Putuplasta materiāli	Augsto temperatūru ietekmē putuplasts var izšķīst un sabojāt ēdienu.
Koks	Koks izžūst un var saplīst gatavošanas laikā.

Materiāli, ko var izmantot gatavojot un grilējot mikroviļņu krāsnī

Materiāls	Gatavošana mikroviļņu krāsnī	Grilēšana	Kombinācija
Pyrex stikls	Jā	Jā	Jā
Parasts stikls	Nē	Nē	Nē
Cepšanai paredzēta keramika	Jā	Jā	Jā
Plastmasas mikroviļņu trauki	Jā	Nē	Nē
Cepamais papīrs	Jā	Nē	Nē
Metāla režģis	Nē	Jā	Nē
Metāla šķivis, paplāte	Nē	Jā	Nē
Alumīnija folija	Nē	Jā	Nē

ROTĒJOŠĀS PAPLĀTES UZSTĀDĪŠANA

Rumba (apakša)



1. Nenolieciet paplāti augšpēdus. Rotējošajai paplātei vienmēr ir jārotē brīvi.
2. Nekad nelietojiet krāsni bez griešanās gredzena un stikla paplātes.
3. Visi ēdieni un trauki vienmēr jānovieto uz stikla paplātes.
4. Ja stikla paplāte vai gredzens ir bojāti, vērsieties tuvākajā pilnvarotajā apkopes centrā.

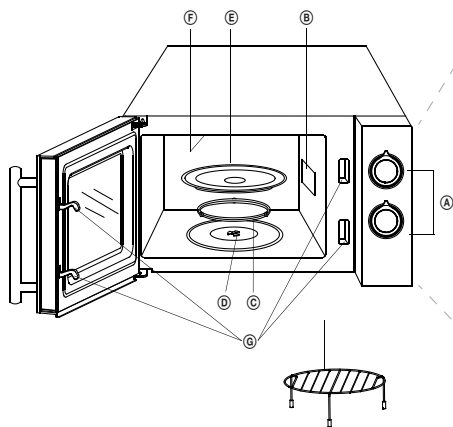
MIKROVIĻŅU KRĀSNS UZSTĀDĪŠANA

Dažas un funkcijas

Izsaīņojiet krāsni un visus piederumus.

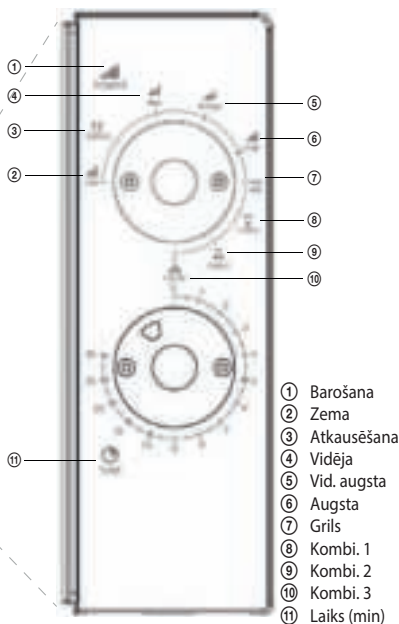
Krāsns komplektā ir iekļauti šādi piederumi:

Stikla paplāte	1
Salikts balsts	1
Lietotāja rokasgrāmata	1



- (A) Vadības panelis
- (B) Viļņu virzītājs
- (C) Balsts
- (D) Balsta ass
- (E) Rotējošā paplāte

- (F) Grils
- (G) Drošības slēdzenes sistēma (Izslēdz barošanu, ja gatavošanas laikā tiek atvērta durvis.)



- ① Barošana
- ② Zema
- ③ Atkausēšana
- ④ Vidēja
- ⑤ Vid. augsta
- ⑥ Augsta
- ⑦ Grils
- ⑧ Kombi. 1
- ⑨ Kombi. 2
- ⑩ Kombi. 3
- ⑪ Laiks (min)

UZSTĀDĪŠANA

Noņemiet visus iepakojuma materiālus un izņemiet visus piederumus.

Pārlicinieties, ka krāsns nav bojāta (iespiestas vai bojātas durvis u.tml.). Neuzstādiet mikroviļņu krāsni, ja tā ir bojāta.

Virtuves lete

Krāsns korpuss: noņemiet visu aizsargplēvi no krāsns virsmām.

Nenoņemiet gaiši brūno plēvi, kas pieskrūvēta krāsns iekšpusē. Ši plēve aizsargā krāsns magnetronu.

Uzstādīšana

1. Novietojiet krāsni uz plakanas virsmas, ap ierīci atstājot pietiekami daudz vietas, lai nodrošinātu ventilācijas atveri pareizu darbību.

Minimālais attālums starp krāsni un tuvāko sienu ir 7,5 cm.

Vismaz vienai malai ir jābūt brīvā vietā.

- a) Atstājiet vismaz 30 cm brīvas vietas virs krāsns.
 - b) Nenoņemiet krāsns kājas.
 - c) Neaizsprostojiet ventilācijas atveres. Tas var izraisīt krāsns bojājumus.
 - d) Novietojiet krāsni pēc iespējas tālāk no radioaparāta un televizora. Mikroviļņu krāsns var radīt TV un radio signālu uztveršanas traucējumus.
2. Pievienojiet krāsni standarta elektrotīklam. Pārliedcinieties, ka elektrotīkla spriegums un frekvence atbilst uz ierīces marķējuma norādītajam spriegumam un frekvencei.

UZMANĪBU: neuzstādiēt mikroviļņu krāsni virs plīts virsmas, blakus tai vai kādas citas sildīšanas ierīces tuvumā.

Krāsns novietošana blakus sildīšanas ierīcei var novest pie krāsns bojājumiem un garantijas zaudēšanas.

Mikroviļņu krāsns ir jālieto atvērtā vietā, un to nedrīkst novietot skapī.

Mikroviļņu krāsns virsma lietošanas laikā var sakarst.



Vadības panelis un funkcijas

1. Iestatiet gatavošanas jaudu, pagriežot jaudas regulētāju (Power) vēlamajā stāvoklī.
2. Atkarībā no gatavojamā ēdiena iestatiet gatavošanas ilgumu, pagriežot taimerī (Time) vēlamajā intervālā (maks. 30 minūtes).
3. Mikroviļņi sāks automātiski pēc gatavošanas jaudas un ilguma iestatīšanas.
4. Krāsns beigs gatavošanas procesu, kad būs pagājis iestatītais ilgums.
5. Atstājiet taimerī "0" pozīcijā, ja neizmantošiet krāsni.

Piezīme: lai izvēlētos gatavošanas ilgumu, kas mazāks par divām minūtēm, pagrieziet vadības slēdzi garām 2 minūšu atzīmei un atgriezieties pie nepieciešamās vērtības.

Sildīšana mikroviļņu krāsni

Pilnīgai sildīšanai mikroviļņu krāsni ir pieejami pieci jaudas līmeņi, kas atbilst jūsu vēlmēm. Jauda palielinās, griežot regulatoru pa labi. Jaudas līmeņi ir norādīti tālāk.

Izejas jauda	Apraksts
100 %	AUGSTA
81%	VID. AUGSTA
58%	VIDĒJA
36%	ATKAUSĒŠANA
18%	ZEMA

Grilēšana

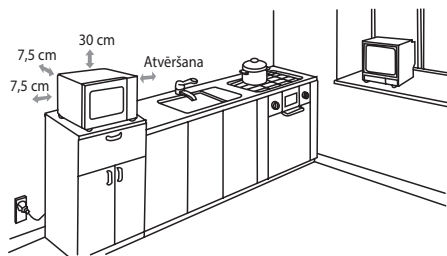
Regulatora pagriešana pulksteņrādītāja kustības virzienā augstākajā mikroviļņu jaudas līmenī (GRILL (GRILA) pozīcija ⑦) pārslēgs uz grila režīmu, kas ir īpaši noderīgs plāniem gaļas gabaliem, steikiem, kotletēm, kebabiem, desām vai vistas gaļas gabaliem. Šis režīms arī ir piemērots siltu sviestaīžu un pilngraudu ēdienu pagatavošanai.

Kombinēts režīms

Kā liecina nosaukums, šis gatavošanas režīms apvieno mikroviļņu sildīšanu un grilēšanu. Režīmam ir trīs jaudas līmeņi, kas apvieno dažādu mikroviļņu sildīšanas un grilēšanas jaudas līmeņus. Jaudas līmeņi ir aprakstīti tabulā tālāk tekstā. Kombinētais režīms ir īpaši piemērots noteiktiem ēdienu veidiem. Tas arī palīdz panākt kraukšķīgumu.

Tālāk esošajā tabulā raksturoti 3 dažādi kombinētā režīma iestatījumi.

Programma	Sildīšana mikroviļņu krāsni	Grilēšana	Piemērots
KOMBI. 1	30%	70%	Zivis, kartupeļi, pilngraudu ēdieni
KOMBI. 2	49%	51%	Pudiņi, omeletes, cepti kartupeļi
KOMBI. 3	67%	33%	Putnu gaļa



PROBLĒMU NOVĒRŠANA

Izplatītākās	
Mikrovilņu krāsns rada televīzijas uztveršanas traucējumus.	Mikrovilņu krāsns darbības laikā rada radio un televīzijas uztveršanas traucējumus. Tas līdzinās traucējumiem, ko rada citas mazas elektroierīces, piemēram, mikseris, putekļsūcējs vai elektriskais ventilators.
Aptumšojas krāsns apgaismojums.	Gaisma krāsni var aptumšoties, ja ir iestatīta zemāka gatavošanas jauda.
Uz durvīm krāsns tvaiks, no atverēm nāk karsts gaiss.	Ēdiens var izdalīt tvaiku gatavošanās laikā. Lielākā daļa tvaika izplūst caur ventilācijas atverēm, taču daļa var uzkrāties vēsākā vietā, piemēram, pie durvīm. Tas ir normāli.
Nejauši ir ieslēgta tukša krāsns.	Krāsni nedrīkst darbināt tukšu. Tas ir ļoti bīstami.

Problēma	Iespējamais cēlonis	Risinājums
Krāsni nevar ieslēgt.	(1) Barošanas vads nav cieši pievienots rozetei.	Atvienojiet vadu no rozetes. Pēc apmēram 10 sekundēm iespraudiet vadu atpakaļ rozetē.
	(2) Izsists drošinātājs vai izslēgts jaudas slēdzis.	Nomainiet drošinātāju vai pārstatiet jaudas slēdzi (remontu veic mūsu uzņēmuma apkopes tehniķis).
	(3) Rozetes problēma.	Mēģiniet rozetei pievienot citu elektroierīci.
Krāsns nesilda.	(4) Durvis nav pareizi aizvērtas.	Aizveriet durvis pienācīgi.
Rotējošā paplāte rada trokšņus, kamēr krāsns darbojas.	(5) Paplāte vai krāsns apakša ir netīra.	Iztīriet krāsni saskaņā ar instrukcijām, kas sniegtas nodalā „Tīrīšana”.

TEHNISKĀ INFORMĀCIJA

Tilpums:	20 l	Nominālais spriegums:	230–240 V~ 50 Hz
Gatavošanas jauda:	700 W	Nominālā ieejas jauda:	1 200 W
Taimeris:	30 minūtes	Darbības frekvence:	2,450 MHz
Jaudas iestatījums:	5 līmeņi	Trokšņa līmenis:	55 dB
Rotējošā paplāte:	Ø 245 mm	Grils:	900 W
Svars:	11,3 kg		
Izmēri:	452 × 262 × 364 mm		
Iekšpusēs izmēri:	315 × 198 × 297 mm		

ATBRĪVOŠANĀS NO ATKRITUMIEM

letinamais papīrs un kartons – nogādāt pārstrādes punktā. Iepakojuma folija, PE maisi, plastmasas daļas – iemest plastmasas šķirošanas konteineros.

ATBRĪVOŠANĀS NO IERĪCĒM KALPOŠANAS LAIKA BEIGĀS

Atbrīvošanās no elektriska un elektroniska aprīkojuma (attiecuz ES dalībvalstīm un citām Eiropas valstīm, kur ieviesta pārstrādes sistēma)

Norādītais simbols uz ierīces vai iepakojuma nozīmē, ka ierīci nedrīkst pievienot sadzīves atkritumiem. Nododiet ierīci norādītajā elektriska un elektroniska aprīkojuma pārstrādes punktā. Novērsiet negatīvu ietekmi uz veselību un vidi, parūpējoties par ierīces pareizu pārstrādi. Pārstrāde palīdz taupīt dabas resursus. Lai saņemtu plašāku informāciju par šīs ierīces pārstrādi, sazinieties ar vietējo atbildīgo iestādi, sadzīves atkritumu apstrādes organizāciju vai veikalu, kur ierīci iegādājāties.

Šī ierīce atbilst ES direktīvu prasībām par elektromagnētisko saderību un elektrisko drošību.

Instrukciju rokasgrāmata ir pieejama vietnē www.ecg-electro.eu.

Tiek paturētas tiesības veikt teksta un tehnisko parametru izmaiņas.



08/05



SAUGOS INSTRUKCIJOS

Atidžiai perskaitykite ir išsaugokite pasinaudojimui ateityje!

Perspėjimas: šiame vadove nurodytos saugos priemonės ir instrukcijos neapima visų galimų sąlygų ir situacijų. Naudotojui būtina suprasti, kad bendrasis principas, atsargumas ir priežiūra yra veiksniai, kurių negalima integruoti į jokią produktą. Todėl, naudodamasis ar dirbdamas šiuo prietaisu, naudotojas turi užtikrinti, kad šių veiksnių yra paisoma. Mes nesame atsakingi dėl žalos, kurį įvyko gaminio atvežimo metu, dėl netinkamo jo naudojimo, įtampos svyravimų arba kurios nors prietaiso dalies pakeitimo ar modifikavimo. Kad išvengtumėte gaisro arba susižalojimo dėl elektros smūgio, naudodamiesi elektros prietaisais, vadovaukitės pagrindinėmis atsargumo priemonėmis, įskaitant:

1. Įsitikinkite, kad Jūsų elektros lizdo įtampa atitinka prietaiso etiketėje nurodytą įtampą, ir kad lizdas tinkamai įžemintas. Elektros lizdą būtina įrengti vadovaujantis galiojančiais elektros darbų kodeksais pagal EN.
2. Nenaudokite krosnelės jei pažeistos jos durelės, ji tinkamai nefunkcionuoja arba pažeistas maitinimo laidas.

ĮSPĖJIMAS: kitam nei kvalifikuotas asmuo yra pavojinga remontuoti prietaisą arba atlikti jo techninę priežiūrą, nuimant bet kokį dangtį, kuris veikia kaip apsauginė detalė nuo mikrobangų sklaidos.

Bet koks remontas arba suregulavimas, įskaitant laido pakeitimą, privalo būti atliekamas profesionalios techninės priežiūros centre! Prieš remontuojant laidą būtina atjungti nuo elektros lizdo. Nuėmę dangčius, prietaisui esant prijungtam prie maitinimo šaltinio, rizikuojate, kad darbus atliekantis technikas bus paveiktas mikrobangų spinduliuotės ir elektros smūgio!

3. Saugokite prietaisą nuo tiesioginio kontakto su vandeniu ar kitais skysčiais kad išvengtumėte galimo elektros smūgio. Nemerkite laido į vandenį!
4. Nenaudokite mikrobangų krosnelės lauke arba drėgnoje aplinkoje bei nelieskite laido ar prietaiso šlapiomis rankomis. Elektros smūgio rizika.
5. Naudodami krosnelę ten, kur yra vaiku, būkite ypač dėmesingi.
6. Nepalikite veikiančios mikrobangų krosnelės be priežiūros.

7. Rekomenduojame nepalikti prietaiso be priežiūros, kai šis prijungtas prie maitinimo šaltinio. Prieš pradėdami techninę priežiūrą, atjunkite maitinimo laidą nuo elektros lizdo. Netraukite laido iš elektros lizdo trūktelėjimo veiksmu. Atjunkite maitinimo laidą nuo elektros lizdo, suėmę už kištuko.
8. Nenaudokite mikrobangų krosnelės šalia šilumos šaltinio, kaip antai, kaitlentės. Saugokite prietaisą nuo tiesioginių saulės spindulių.
9. Neleiskite maitinimo laidui prisiliesti prie karštų paviršių arba persilenkti už aštrių kampų.
10. Saugokite, kad neužsiliepsnotų krosnelės vidus, atsižvelgdami į šiuos reikalavimus:
 - a) Neperkaitinkite maisto.
 - b) Prieš išklodami mikrobangų krosnelės vidų popieriumi arba plastikiniais maišeliais, nuimkite visas sąvaržėles.
 - c) Nekaitinkite krosnelėje aliejaus arba taukų, nes aliejaus temperatūros reguliuoti negalima. Nekepkitė maisto krosnelėje. Karštas aliejus gali pažeisti krosnelės dalis ir virtuvės reikmenis, o taip pat apdegtinti.
 - d) Po naudojimo nušluostykite dureles, durelių tarpinę ir vidinę krosnelės sritį skepeta, suvilgyta plovikliu ir nusauskite. Tai pašalina nešvarumus, riebalus ir bet kokius maisto likučius.

ĮSPĖJIMAS: krosnelės nereikėtų naudoti, jei pažeistos jos durelės arba tarpinė, kol šio defekto nepataisė kvalifikuotas specialistas. Krosnelę reikėtų tinkamai išvalyti ir pašalinti bet kokius maisto likučius. Jei nebus pasirūpinta krosnelės švara, gali būti pažeistas jos paviršius, kas gali turėti neigiamo poveikio prietaiso eksploatacijos laikui ir baigtis pavojinga situacija. Užsilikę riebalai gali perkaisti ir sukelti gaisrą.

Nenaudokite abrazyvinių valiklių.

Nevalykite prietaiso garus gaminančia valymo priemone.

- e) Jei krosnelėje ruošiamas maistas svyla arba užsiliepsnoja, palikite krosnelės dureles atviras, išjunkite krosnelę ir ištraukite kištuką iš maitinimo lizdo, kad neliktų gaisras.
- f) Naudodami vienkartinio naudojimo plastines, popierines arba užsidegančias medžiagas, kad išvengtumėte šių medžiagų užsiliepsnojimo, nepalikite krosnelės be priežiūros.

11. Aprobokite sproginimo riziką arba staigų užvirimą stebėdami:

ĮSPĖJIMAS: skysčiai ir kitoks maistas neturėtų būti šildomas uždaroje, orui nepralaidžioje talpyklėse, kadangi tokios talpyklės gali sprogti. Buteliukai kūdikiams užsukamu dangteliu arba žinduku, taip pat laikytini uždaromis talpyklėmis.

- a) Skysčių šildymui naudokite talpykles plačiu kakliuku bei pašilusiam skysčiui leiskite pastovėti mažiausia 20 sekundžių, kad užviręs skystis nepradėtų taškytis per kraštus.
 - b) Mikrobangų krosnelėje negalima šildyti kiaušinių su lukštais, viso kietai virto kiaušinio, riebaluoto arba alyvuoto vandens, o taip pat sandariai uždarytų stiklinių indų, nes jie gali sprogti net ir baigus pašildymą. Bulves, parūkytas dešreles arba kaštonus prieš dedant į mikrobangų krosnelę reikia išlukštenti arba perdurti.
 - c) Šildant gėrimus mikrobangų krosnelėje jie gali netikėtai užvirti, ką būtina įsidėmėti imant už jų indo.
 - d) Kūdikių buteliuko turinys ir kūdikių maistas prieš maitinant turi būti sumaišytas arba pakratytas, ir siekiant išvengti nudegimų būtina patikrinti temperatūrą.
12. Indai po pašildymo gali labai įkaisti. Kad juos išimtumėte, naudokite puodų laikiklius. Saugokitės, kad nenusidegintumėte veido ir rankų karštais garais.
13. Visada kilstelėkite tolimiausią indo arba maisto įvynioklio kraštą. Atidarinėkite orinių kukurūzų maišelius ir kepimo maišelius atitraukę nuo veido.
14. Sukamosios platformos apsauga nuo sudaužymo:
- a) Prieš valydami leiskite sukamajai platformai ataušti.
 - b) Nedėkite karšto maisto arba indų ant šaltos sukamosios platformos.
 - c) Nedėkite užšaldyto maisto arba šaltų indų ant karštos sukamosios platformos.
15. Įsitikinkite, kad šildymo proceso metu, indai nesiliečia su krosnelės vidaus sienelėmis.
16. Maisto ar kitų objektų nelaikykite krosnelėje. Jei į elektros tinklą trenkia žaibas, krosnelė gali suveikti savaime.
17. Nenaudokite krosnelės, jei jos viduje nėra jokio maisto ar skysčio. Taip galite ją sugadinti. Neužblokuokite arba neuždenkite jokių krosnelės angų.

18. Naudokite tik gamintojo rekomenduojamus priedus, nes kitaip rizikuojate negauti garantinės priežiūros.
19. Naudokite mikrobangų krosnelę tik pagal šio vadovo instrukcijas. Ši mikrobangų krosnelė skirta tik naudojimui namuose. Gamintojas neatsako už bet kokią žalą, atsiradusią dėl netinkamo šio prietaiso naudojimo.
20. Mikrobangų krosnelė skirta maisto ir gėrimų šildymui. Maisto arba drabužių džiovinimas, o taip pat pagalvėlių, šlepečių, kempinėlių, drėgnos tekstilės ir pan. „pašildymas“ gali būti susižalojimo rizikos priežastimi, o taip pat užsiliepsnoti arba sukelti gaisrą.
21. Prietaisas skirtas tik naudojimui namuose ir panašiose vietose, kaip antai:
 - virtuvės kampelius parduotuvėse, biuruose ir kitose darbo vietose;
 - prietaisus, naudojamus žemės ūkyje;
 - prietaisus, naudojamus viešbučiuose, moteliuose ir kitose gyvenamosiose vietose;
 - prietaisus naudojamus nakvynės ir pusryčių paslaugų versle.
22. Prietaisu gali naudotis 8 metų ir vyresni vaikai bei asmenys su fizine arba psichine negalia, arba neturintys patirties ar žinių, jei juos prižiūri kitas žmogus arba jei jie buvo išmokyti, kaip saugiai naudotis prietaisu ir supranta, kas gali atsitikti dėl netinkamo prietaiso naudojimo. Vaikai neturėtų žaisti su šiuo prietaisu. Naudotojo valymo ir techninės priežiūros procedūrų neturėtų atlikti jaunesni nei 8 metų amžiaus vaikai be priežiūros.

Venkite per didelio mikrobangų energijos poveikio

1. Nebandykite naudoti mikrobangų krosnelės atidarytomis durelėmis. Taip darydami patiriate pavojingą mikrobangų energijos poveikį. Nebandykite išlaužti arba apriboti krosnelės durelių saugos sklęščių funkcionalumo.
2. Nedėkite jokių pašalinių objektų tarp krosnelės durelių. Įsitikinkite, kad ant krosnelės durelių tarpinės ir sandarinimo paviršių nesusikaupė nešvarumai ir valiklio likučiai.
3. Nenaudokite krosnelės, jei ji pažeista. Svarbu, kad krosnelės durelės sandariai užsidarytų, ir kad nebūtų pažeistos.
Krosnelės durelių sugadinimo atvejų pavyzdžiai:
 - a) ĮDUBUSIOS durelės.
 - b) Atsilaisvinę ar pažeisti durelių LANKSTAI arba SAUGOS ĮTAISAI.

c) DURELIŲ TARPINĖS ARBA SANDARINIMO SRITYS PASISLINKUSIOS ANT PRIEKINĖS KORPUSO DALIES.

Mikrobangų krosnelės korekciją arba remontą atlieka tik kvalifikuotas specialistas.

4. Kaip ir daugumoje maisto ruošos prietaisų, būtina griežta priežiūra, siekiant sumažinti gaisro rizikos pavojų krosnelės viduje.

Gaisro atveju:

1. Neatidarykite durelių.
2. Išjunkite krosnelę ir ištraukite kištuką.
3. Išjunkite pagrindinį maitinimo jungiklį.

VALYMAS

Įsitikinkite, kad atjungėte krosnelę nuo elektros lizdo, ištraukdami kištuką iš rozetės.

1. Krosnelės vidaus valymui naudokite drėgną skepetą.
2. Prieš plaukite tiesiog muiluotu vandeniu.
3. Drėgna skepeta, suvilgyta indų plovyklės priemone, nuvalykite nešvarius krosnelės durelių kraštus, tarpines ir gretimas dalis bei nusauskinkite.

Mikrobangų krosnei būtinas žeminimas. Kištukas turi būti jungiamas tik prie tinkamai žeminto išvado.

Jei turite abejonių dėl tinkamos elektros instaliacijos arba krosnelės veikimo sutrikimų, kreipkitės į kvalifikuotą elektriką arba techniką.

1. Mikrobangų krosnelė turi trumpą laidą, siekiant išvengti užkliuvimo arba susiraizgymo rizikos.
2. Ilginamieji kabeliai turi atitikti šiuos reikalavimus:
 - a) kiek tai susiję su leidžiama elektros apkrova, ilginamųjų laidų ir išvado vardinės reikšmės privalo atitikti mikrobangų krosnelės kategoriją;
 - b) ilginamasis laidas turi būti trijų gyslų, o kištukas turėti žeminimo kontaktą;
 - c) laidą būtina gerai paslėpti, kad jis be reikalo nekabėtų virš virtuvinio darbatalio, ir kad už jo neužkliūtų arba neištrauktų vaikai.

VIRTUVĖS REIKMENYS IR INDAI

SVARBU

Susižalojimo rizika

Naudokite tik tokius indus, kurie tinkami mikrobangų krosnelėms. Sandariai užsukti indai įkaitę gali sprogti. Prieš ruošiant maistą būtina atidaryti uždarytus indus, o plastinius maišelius pradurti; žr. skirsnį „Medžiagos“, jei reikia informacijos, ką galima naudoti mikrobangų krosnelėje, o ko ne. Kai kurios nemetalinės medžiagos gali būti nesaugios maisto ruošai mikrobangų krosnelėje. Jei nesate užtikrintas (-a), ar indo medžiaga tinka saugiam naudojimui mikrobangų krosnelėje, atlikite šiuos veiksmus:

Indo testas:

1. Pripildykite indą, kurį kaitinsite krosnelėje, šaltu vandeniu (250 ml).
2. Pakaitinkite 1 minutę maksimalia galia.
3. Kruopščiai patikrinkite iki kokios temperatūros indas įkaito. Jei testuojamas indas įšilo, nenaudokite jo maisto ruošai mikrobangų krosnelėje.
4. Nevirkite ilgiau nei 1 minutę.

PAVOJINGA vaikams: vaikams draudžiama leisti žaisti pakavimo medžiaga. Neleiskite vaikams žaisti plastikiniais maišeliais. Uždusimo pavojus.



Karštas paviršius!

Medžiagos, kurias galima naudoti maisto ruošai mikrobangų krosnelėje

Talpyklės	Pastabos
Kepimo skardos	Vadovaukitės gamintojo pateikiamomis instrukcijomis. Kepimo indo dugnas privalo būti mažiausia 5 mm virš sukamosios platformos. Dėl netinkamo naudojimo gali įtrūkti sukamoji platforma.
Lėkštės	Naudokite tik tokias lėkštes ir indus, kurie skirti maisto ruošai mikrobangų krosnelėje. Vadovaukitės gamintojo pateikiamomis instrukcijomis. Nenaudokite įtrūkusių ar kitaip pažeistų indų.
Stiklainiai ir ąsočiai	Visada nuimkite dangtelį. Kaitinkite tik maistą. Nevirkite! Dauguma stiklinių ąsočių neatlaiko aukštos temperatūros, todėl gali skilti.
Stiklinės kepimo formos	Naudokite tik tas stiklines kepimo formas, kurios atsparios aukštomis temperatūroms. Įsitinkinkite, kad indas neturi metalinių apvadų arba kitų metalinių objektų. Nenaudokite įtrūkusių ar kitaip pažeistų indų.
Kepimo maišeliai	Vadovaukitės gamintojo pateikiamomis instrukcijomis. Neužsekite metalinėmis sąvaržėlėmis. Palikite maišelį šiek tiek atvirą, kad pasišalintų išsiskiriantys karšti garai.
Popieriaus padėklai	Tinka tik pašildymui ar trumpam virimui. Maisto ruošos metu nepalikite krosnelės be priežiūros.

Talpyklės	Pastabos
Popieriniai rankšluosčiai	Naudokite, kad apdengtumėte maistą ir pašalintumėte išskyrusius riebalus. Naudokite tik trumpalaikiai maisto ruošai. Ruošdami maistą nepalikite krosnelės be priežiūros.
Pergamentinis popierius	Naudokite apdengti ir supakuoti maistui troškinimo metu, kad išvengtumėte riebalų spragsėjimo ant mikrobangų krosnelės sienelių.
Plastikinės medžiagos	Naudokite tik tokias lėkštes ir indus, kurie skirti maisto ruošai mikrobangų krosnelėje. Vadovaukitės gamintojo pateikiamomis instrukcijomis. Plastiko medžiaga, tinkama naudoti mikrobangų krosnelėje, privalo būti paženklinta specialiu ženklu: „Tinka mikrobangų krosnelėms“. Kai kuris plastikas minkštėja dėl ilgalaikio aukštos temperatūros poveikio. „Maisto ruošos maišelius“ ir kepimo maišelius būtina prakirpti, pradurti arba kitaip atidaryti pagal maisto gamintojo nurodymus.
Plastikinė pakavimo folija	Naudokite tik tokias lėkštes ir indus, kurie skirti maisto ruošai mikrobangų krosnelėje. Naudokite maistui uždengti ir jo drėgmei palaikyti ruošos metu. Įsitinkite, kad plastikinė folija nesiliečia su ruošiamu maistu.
Termometrai	Naudokite tik tokius termometrus, kurie tinkami mikrobangų krosnelėms. (Termometrai mėsa, sausainiams ir pyragaičiams).
Vaškuotas popierius	Naudokite maistui uždengti, kad apsaugotumėte mikrobangų krosnelės sienelės nuo apsitašymo riebalais bei drėgmės palaikymui ruošos metu.

Medžiagos, kurių negalima naudoti ruošiant maistą mikrobangų krosnelėje

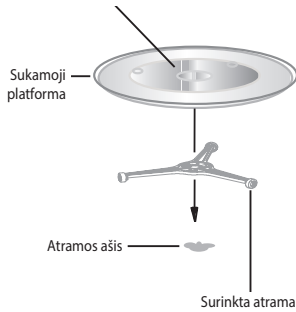
Virtuvės reikmenys ir indai	Pastabos
Aliuminio padėklai ir lėkštes	Sulinkimo rizika. Sudėkite maistą į indą, tinkamą maisto ruošai mikrobangų krosnelėje.
Maisto ir kartono dėžutės su metaline rankena	Sulinkimo rizika. Sudėkite maistą į indą, tinkamą maisto ruošai mikrobangų krosnelėje.
Metaliniai indai ir indai su metaliniais priedais	Metalas neleidžia prasiskverbti mikrobangų energijai. Metalinės sienelės gali įlinkti.
Vielos tipo uždaramieji žiedai	Mikrobangų krosnelėje gali pasikeisti jų forma ir kilti gaisras.
Popieriniai maišeliai	Gaisro rizika. Gaisro krosnelėje rizika.
Putų medžiaga	Dėl aukštos temperatūros plastikinė putą gali iširti ir sugadinti maistą.
Mediena	Maisto ruošos metu mediena džiūva ir gali įtrūkti.

Naudokite medžiagas mikrobangų griliui ir maisto ruošai

Medžiaga	Maisto ruošai mikrobangomis	Kepimas grilyje	Abu
„Pyrex“ stiklas	Taip	Taip	Taip
Paprastas stiklas	Ne	Ne	Ne
Kepimui skirta keramika	Taip	Taip	Taip
Plastikiniai indai mikrobangų krosnelėms	Taip	Ne	Ne
Kepimo popierius	Taip	Ne	Ne
Metalinis dėklas	Ne	Taip	Ne
Metalinė lėkštė, padėklas	Ne	Taip	Ne
Aliuminio folija	Ne	Taip	Ne

SUKAMOSIOS PLATFORMOS ĮRENGIMAS

Stebulė (apatinė pusė)



1. Nedėkite sukamosios platformos viršutinę pusę žemyn. Sukamoji platforma visuomet turi judėti laisvai.
2. Niekada nenaudokite krosnelės be sukamojo žiedo ir stiklinio dėklo.
3. Visas maistas ir indai visada privalo būti dedami ant stiklinio dėklo.
4. Jei stiklinis dėklas įskyla arba pažeidžiamas ritininis žiedas, kreipkitės į artimiausią įgaliotąjį servisą.

MIKROBANGŲ KROSNELĖS ĮRENGIMAS

Dalys ir funkcijos

Išpakuokite krosnelę ir visus priedus.

Krosnelė tiekiami su šiais priedais:

Stiklinis dėklas

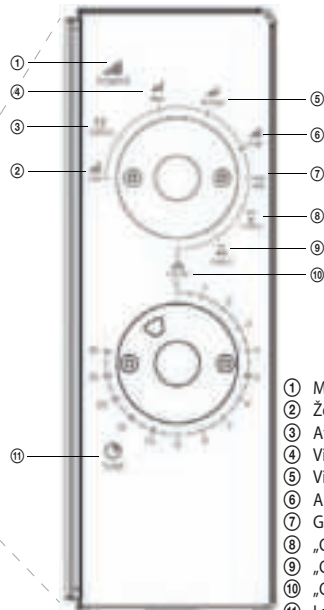
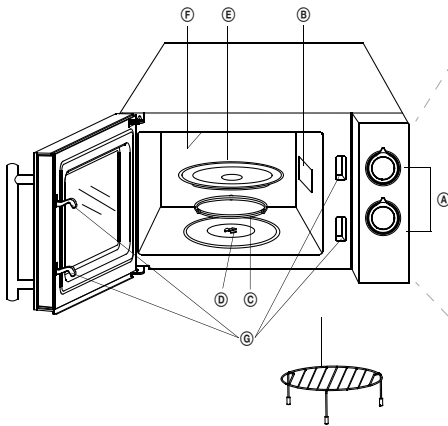
1

Surinkta atrama

1

Naudojimo vadovas

1



- ① Maitinimas
- ② Žemas
- ③ Atšildymas
- ④ Vidutinis
- ⑤ Vid. aukštas
- ⑥ Aukštas
- ⑦ Grilis
- ⑧ „Combi“ 1
- ⑨ „Combi“ 2
- ⑩ „Combi“ 3
- ⑪ Laikmatis (min.)

(A) Valdymo skydelis

(B) Bangolaidis

(C) Atrama

(D) Atramos ašis

(E) Sukamoji platforma

(F) Grilis

(G) Sistemos saugos užraktas

(Išjungia maitinimą, jei durelės atsidaro virimo metu.)

ĮRENGIMAS

Nuimkite visas pakavimo medžiagas ir išimkite visus priedus.

Patikrinkite, ar krosnelė nėra pažeista (įdubimai arba sugadintos durelės ir pan.). Jei ji pažeista, neįrenginėkite.

Virtuvinis stalviršis

Krosnelės korpusas: nuimkite apsauginę foliją nuo krosnelės paviršiaus. **Nenuimkite šviesiai rudos folijos, įsuktos į krosnelės vidų. Ši folija apsaugo krosnelės magnetroną.**

Įrengimas

1. Padėkite krosnelę ant plokščio paviršiaus kur aplinkui yra pakankamai vietos, kad užtikrintumėte tinkamą aušintuvų veikimą.

Atstumas tarp arčiausios sienos ir krosnelės privalo būti mažiausia 7,5 cm.

Bent viena pusė turi būti atvira.

- Palikite mažiausiai 30 cm laisvą tarpą virš krosnelės.
- Neišimkite krosnelės kojelėlių.
- Neužblokuokite ventilacijos angų. Galite pažeisti mikrobangų krosnelę.
- Statykite krosnelę kiek galima toliau nuo radijo ar televizoriaus. Mikrobangų krosnelė gali sukelti TV arba radijo signalo trikdžius.

2. Prijunkite krosnelę prie standartinio elektros tinklo. Įsitikinkite, kad krosnelės etiketėje nurodytos įtampos ir dažnio reikšmės atitinka maitinimo tinklo įtampą ir dažnį.

DĖMESIO: nestatykite krosnelės virš maisto ruošos kaitlentės, netoli jos arba netoli kitokios šilumą skleidžiančios įrangos. Pastačius krosnelę šalia šilumos šaltinio, prietaisas gali sugesti, ir tokiu atveju garantinės nuostatos negalioja.

Mikrobangų krosnelę turėtų būti naudojama atviroje erdvėje, ir neturėtų būti dedama į spintelę.

Mikrobangų krosnelės paviršius veikimo metu gali įkaisti.



Valdymo skydelis ir funkcijos

- Nustatykite maisto ruošos galią, pasukdami valdiklį („Power“) į pageidaujamą lygį.
- Priklausomai nuo ruošiamo maisto tipo, nustatykite maisto ruošos trukmę, pasukdami laikmatį („Time“) į pageidaujamą intervalą (maks. 30 minučių).
- Mikrobangų krosnelė suveiks automatiškai nustačius maisto ruošos galią ir trukmę.
- Pasibaigus nustatytai maisto ruošos trukmei, krosnelės veikimas bus sustabdytas.
- Jeigu nenaudojate krosnelės, laikmatį palikite ties nustatymu „0“.

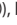
Pastaba: kad pasirinktumėte trumpesnį nei 2 minučių maisto ruošos laiką, pasukite rankenėlę už 2 minučių trukmės nuostatos ir po to grąžinkite į pageidaujamą reikšmę.

Maisto pašildymas mikrobangų krosnelėje

Jei maistą mikrobangų krosnelėje reikia tik pašildyti, pagal poreikį galite rinktis vieną iš penkių maitinimo lygių. Galia didėja sukant ratuką į dešinę. Maitinimų lygių aprašymas:

Išvesties galia	Aprašymas
100 %	AUKŠTAS
81%	VID. AUKŠTAS
58%	VIDUTINIS
36%	ATŠILDYMAS
18%	ŽEMAS

Kepimas grilyje

Pasukus rankenėlę laikrodžio rodyklės kryptimi iki aukščiausio maitinimo lygio (GRILIO padėties ) , bus įjungtas grilio režimas, kuris ypač naudingas mėsos pjautiniams, didkepsniams, kotletams, kebabams, dešrelėms arba vištienos gabalams. Šis režimas taip pat tinka karšties sumuštiniais ir viso grūdo patiekalams ruošti.

Kombinuotasis režimas

Kaip ir sako pats pavadinimas, šis maisto ruošos režimas apjungia šildymą mikro bangomis ir grilį. Šis režimas gali būti naudojamas trimis lygmenimis, kurie apjungia skirtingus galios lygius šildymui mikro bangomis ir griliui. Lygiai aprašomi toliau lentelėje. Kombinuotasis režimas ypač tinka tam tikriems maisto tipams. Šitai maistas tampa traškus.

Toliau lentelėje aprašomos 3 skirtingos kombinuotojo režimo nuostatos.

Programa	Maisto pašildymas mikrobangų krosnelėje	Kepimas grilyje	Kam tinka
„Combi“ 1	30%	70%	Žuviai, bulvėms, viso grūdo patiekalams

„Combi“ 2	49%	51%	Apkepei, omeletui, keptoms bulvėms
„Combi“ 3	67%	33%	Paukštienai

TRIKČIŲ DIAGNOSTIKA IR ŠALINIMAS

Bendroji informacija	
Mikrobangų krosnelė trikdo televizijos signalo priėmimą.	Veikianti mikrobangų krosnelė gali trikdyti radijo ir televizijos signalus. Tai panašu į smulkių elektros prietaisų, tokių kaip plaktuvus, dulkių siurblys ir elektrinis ventiliatorius sukeltus trikdžius.
Šviesa krosnelėje tampa blausesnė.	Šviesa krosnelės ertmėje gali tapti blausesnė, kai nustatyta mažesnė maitinimo galia.
Garai kaupiasi ties durelėmis, iš ventiliacijos angų sklinda karštas oras.	Virimo metu maistas gali skleisti garus. Daugiausia garų yra išleidžiama pro ventiliacijos angas, nors kažkiek jų gali susikaupti vėsesnėje vietoje, tokioje kaip durelės. Tai normalus efektas.
Netyčia krosnelė buvo paleista tuščia.	Paleisti tuščios krosnelės negalima. Tai pavojinga.

Problema	Galima priežastis	Korekcija
Nepavyksta paleisti krosnelės.	(1) Laidas netvirtai prijungtas prie elektros lizdo.	Ištraukite laidą iš lizdo. Maždaug po 10 sekundžių vėl prijunkite laidą prie elektros lizdo.
	(2) Suveikė saugiklis arba grandinės pertraukiklis.	Pakeiskite saugiklį arba atstatykite grandinės pertraukiklį (taisoma mūsų bendrovės techninės priežiūros).
	(3) Elektros lizdo problema.	Bandykite prie to paties lizdo prijungti kitą elektros prietaisą.
Krosnelė nekaista.	(4) Neteisingai uždarytos durelės.	Tinkamai uždarykite dureles.
Sukamoji platforma skleidžia triukšmą veikiant mikrobangų krosneliui.	(5) Sukamoji platforma arba dugnas yra nešvarūs.	Išvalykite prietaisą pagal instrukcijas, kurias rasite skyriuje „Valymas“.

TECHNINIAI DUOMENYS

Tūris:	20 l	Vardinė įtampa:	230–240 V, 50 Hz
Maisto ruošos galia:	700 W	Vardinė įvesties galia:	1.200 W
Laikmatis –	30 minutės	Eksploatacijos dažnis:	2,450 MHz
Maitinimo nuostata:	5 lygiai	Triukšmo lygis:	55 dB
Sukamoji platforma:	Ø 245 mm	Grilis:	900 W
Svoris:	11,3 kg		
Matmenys:	452 × 262 × 364 mm		
Vidaus matmenys:	315 × 198 × 297 mm		

NAUDOJIMAS IR ATLIEKŲ UTILIZAVIMAS

Vyniojamasis popierius ir gofruoto kartono dėžė – išmesti į atliekas. Pakavimo folija, PE maišeliai, plastikiniai elementai – išmesti į plastiko perdirbimo konteinerius.

GAMINIŲ UTILIZAVIMAS PASIBAIGUS JŲ EKSPLOATACIJOS LAIKUI

Elektros ir elektronikos dalių utilizavimas (taikoma ES valstybėse narėse ir kitose Europos šalyse, kur galioja atliekų perdirbimo sistema)

Ant gaminio ar jo pakuotės atvaizduotas simbolis reiškia, kad gaminio negalima utilizuoti kartu su buitinėmis atliekomis. Nugabenkite gaminį į atitinkamą elektros ar elektronikos gaminių perdirbimo vietą. Utilizuodami gaminį imkitės saugos priemonių dėl neigiamo poveikio žmogaus sveikatai ir aplinkai. Perdirbimas prisideda prie gamtinių išteklių išsaugojimo. Daugiau informacijos apie šio gaminio perdirbimą, teiraukitės vietinės valdžios institucijose, buitinių atliekų perdirbimo organizacijose arba parduotuvėje, kur įsigijote šį gaminį.

Šis produktas atitinka ES direktyvas dėl elektromagnetinio suderinamumo ir elektros saugos.

Instrukcijų vadovą rasite internete www.ecg-electro.eu.

Tekstas ir techniniai parametrai keičiami be išankstinio perspėjimo.



08/05



BIZTONSÁGI ELŐÍRÁSOK

Olvassa el figyelmesen és a későbbi felhasználásokhoz is őrizze meg!

Figyelmeztetés! A jelen útmutatóban feltüntetett biztonsági előírások és utasítások nem tartalmazznak minden olyan feltételt és körülményt, amely a használat során bekövetkezhet. A felhasználónak meg kell értenie, hogy egyetlen termékbe sem lehet beépíteni a felhasználótól elvárható elővigyázatosságot és gondosságot. Ezekről a készüléket használó és kezelő felhasználóknak kell gondoskodniuk. Nem vállalunk felelősséget a készülék helytelen használatából, a hálózati feszültségingadozásokból, vagy a készülék bármilyen jellegű átalakításából és módosításából eredő károkért.

A tüzek, áramütések és egyéb sérülések megelőzése érdekében, az elektromos készülékek használata során tartsa be az általános és az alábbiakban feltüntetett biztonsági utasításokat:

1. Mielőtt csatlakoztatná a készüléket a szabályszerűen leföldelt hálózati aljzathoz, győződjön meg arról, hogy a hálózati feszültség értéke megegyezik-e a készülék típuscímkéjén található tápfeszültség értékével. A fali aljzat feleljen meg a vonatkozó EN szabványok előírásainak.
2. Ne használja a sütőt, ha sérült az ajtaja, hibásan működik, vagy sérült a hálózati vezetéke.

FIGYELEM! A mikrohullámú sugárzás veszélyes az egészségre, ezért a készülék bármilyen burkolatát illetéktelen személy nem szerelheti le. A javítást bízza mindig a márkaszervizre.

A készülék minden javítását, beleértve a hálózati kábel cseréjét is, bízza szakszervizre! Javítás előtt húzza ki a hálózati vezetéket a fali aljzathoz. Amennyiben a burkolatot akkor szereli le, amikor a készülék még a hálózathoz van csatlakoztatva, akkor a készüléket javító személyt áramütés vagy mikrohullámú sugárzás érheti!

3. A készüléket óvja víztől és más folyadékoktól, ellenkező esetben áramütés érheti. A hálózati vezetéket és a csatlakozódugót vízbe mártani tilos!
4. A mikrohullámú sütőt szabadban vagy nedves környezetben használni tilos! A hálózati vezetéket és a készüléket nedves kézzel ne fogja meg. Áramütés veszélye!

5. Legyen nagyon körültekintő, amikor a mikrohullámú sütő közelében gyerekek tartózkodnak.
6. A mikrohullámú sütőt üzem közben ne hagyja felügyelet nélkül.
7. Lehetőleg ne hagyja felügyelet nélkül a hálózathoz csatlakoztatott sütőt. Karbantartás megkezdése előtt a hálózati vezetéket húzza ki a fali aljzatból. A csatlakozódugót a vezetéknél fogva ne húzza ki a fali aljzatból. A művelethez fogja meg a csatlakozódugót.
8. A mikrohullámú sütőt hóforrás, pl. konyhai tűzhely közelében ne használja. Óvja a készüléket a közvetlen napsugárzástól.
9. A hálózati vezeték nem érhet hozzá forró tárgyakhoz, továbbá azt éles eszközökre se helyezze rá.
10. A mikrohullámú sütő belsejében keletkező tűz a következő intézkedésekkel előzhető meg:
 - a) Ne melegítse túl az ételt.
 - b) Mielőtt a papír vagy műanyag zacskókat a sütőbe helyezné, távolítsa el róluk a fémkapcsokat.
 - c) Soha ne melegítsen sütéshez használt olajt vagy zsírt a sütőben, mert az olaj hőmérséklete nem szabályozható. A mikrohullámú sütőben ne készítsen olajban sült ételeket. A forró olaj károsíthatja a sütő részeit és a konyhai edényeket, valamint égési sérüléseket okozhat.
 - d) A használatot követően törölje meg az ajtót, az ajtó szigetelését és a sütő belsejét, mosogatószeres vízbe mártott ruhával, majd azokat törölje szárazra. Ezzel eltávolíthatók a lerakódott szennyeződések, zsír és esetleges ételmaradékok.

FIGYELEM! Soha ne használja a sütőt, ha a készülék ajtaja vagy szigetelése sérült, a javítást bízza szakemberre. A sütőt rendszeresen tisztítsa meg, abból az ételmaradékokat mindig távolítsa el. A sütő tisztításának az elhanyagolása a készülék felületeinek a sérüléséhez vezethet, ami a készülék meghibásodását okozhatja, illetve a készülék élettartamának a csökkenéséhez vezet. A lerakódott zsírréteg túlmelegedhet, és füstöt, vagy akár tüzet is okozhat.

A tisztításhoz soha ne használjon csiszoló hatású tisztítószereket.

A készüléket gőzfejlesztő készülékkel tisztítani tilos.

- e) Ha a sütőben készülő étel füstölni vagy égni kezd, kapcsolja ki a sütőt, húzza ki a hálózati vezetékét a fali aljzatból és hagyja zárva az ajtót (az esetleges tűz magától elalszik és nem terjed tovább).
 - f) Egyszer használatos műanyag-, papír- vagy más gyúlékony anyagból készült edények használata esetén soha ne hagyja felügyelet nélkül a sütőt (ezek az anyagok begyulladhatnak).
11. A robbanás vagy hirtelen felforrás veszélyét a következő módon csökkentheti.
- FIGYELEM! Folyadékokat vagy más ételeket zárt edényben ne melegítsen fel, mert a keletkező nyomástól az edény szétrobbanhat. Zárt edénynek kell tekinteni a menetes cumisüvegeket is.**
- a) Folyadékok melegítéséhez széles torkú edényt használjon, majd a melegítést követően hagyja 20 másodpercig állni, nehogy a tartalma robbanásszerűen felforrjon.
 - b) Soha ne melegítsen a mikrohullámú sütőben tojást héjastól, keményre főzött egész tojást, zsírt vagy olajat tartalmazó vizet és zárt üvegedényeket, mert felrobbanhatnak (akár a mikrohullámú sütőből való kivétel után is). Mielőtt burgonyát, virslit vagy gesztenyét tenne a sütőbe, lyukassza ki őket, nehogy felrobbanjanak.
 - c) Mikrohullámú főzéskor a forrás később is bekövetkezhet, ezért bánjon nagyon óvatosan a felmelegített folyadékokkal.
 - d) A cumisüvegek tartalmát és a bébiételeket az etetés előtt keverje össze vagy rázza fel, és ellenőrizze le a hőmérsékletüket, nehogy égési sérülés okozzanak.
12. A melegítést követően az edények forrók. A kivételükhöz használjon konyhai kesztyűt. Vigyázzon, nehogy a forró gőz megégesse az arcát vagy a kezét.
13. Mindig a fedő vagy a fólia legtávolabbi részét kezdje el óvatosan felemelni. A pattogatott kukoricát tartalmazó zacskókat és a sütőzacskókat az arcától biztonságos távolságban nyissa ki.
14. Hogy el ne törjön a forgótányér:
- a) A tisztítás előtt a forgótányért hagyja kihűlni.
 - b) A hideg forgótányérra soha ne helyezzen semmilyen forró ételt se edényt.

c) A forró forgótányérra soha ne helyezzen mélyhűtött élelmiszert, se hideg edényeket.

15. Ellenőrizze le, hogy melegítés közben az edények nem érnek hozzá a sütő belső falaihoz.
16. Soha ne tároljon a sütőben élelmiszereket és egyéb tárgyakat. Ha az elektromos hálózatba villám csap be, akkor a sütő magától bekapcsolhat.
17. Soha ne használja a sütőt, ha nem tett be valamilyen folyadékot vagy élelmiszert. Ellenkező esetben a sütő elromolhat vagy károsodhat. A sütő szellőzőnyílásait letakarni tilos.
18. Ne használjon a gyártó által nem ajánlott tartozékokat, ellenkező esetben elveszítheti a készülékre nyújtott garanciát.
19. A készüléket kizárólag a használati útmutatóban ismertetett utasításokkal összhangban használja. Ez a mikrohullámú sütő kizárólag otthoni használatra készült. A gyártó nem felel a készülék helytelen használata okozta károkért.
20. A mikrohullámú sütővel élelmiszereket és italokat lehet felmelegíteni. A készülékben élelmiszereket vagy ruhát szárítani, melegítő párnákat, papucsot, szivacsot, nedves ruhát és egyéb idegen anyagokat melegíteni tilos, az ilyen tevékenység tüzet vagy súlyos személyi sérülést okozhat.
21. A készüléket háztartásokban, illetve a következő helyeken lehet használni:
 - konyhák, irodai és egyéb munkahelyi kiskonyhák,
 - mezőgazdasági üzemekhez tartozó konyhák,
 - szállodai és motelszobák, munkásszállások konyhái,
 - turistaszállások és egyéb jellegű szállások.
22. A készüléket 8 évnél idősebb gyerekek, idős, testi és szellemi fogyatékos személyek, illetve a készülék használatát nem ismerő és hasonló készülék üzemeltetéseinek a tapasztalataival nem rendelkező személyek csak a készülék használati utasítását ismerő és a készülék biztonságos használatáért felelősséget vállaló személy felügyelete mellett használhatják. A készülék nem játék, azzal gyerekek nem játszhatnak. A készüléket 8 év feletti gyerekek csak felnőtt személy felügyelete mellett tisztíthatják.

Ne tegye ki magát feleslegesen a mikrohullámú sugárzásnak.

1. A mikrohullámú sütőt addig ne kapcsolja be, amíg nyitva van az ajtaja. Ellenkező esetben egészségre ártalmas mikrohullámú sugárzásnak teszi

ki magát. Ne próbálja meg kiiktatni vagy felfeszíteni a sütő ajtajának a biztonsági zárját.

2. Ne helyezzen idegen tárgyakat a sütő ajtónyílásába. Ügyeljen arra, hogy a sütő ajtó tömítésén ne rakódjon le szennyeződés vagy tisztítószer.
3. A hibás vagy sérült sütőt bekapcsolni tilos. A becsukást követően a készülék ajtajának tökéletesen fel kell feküdnie. Az ajtó nem lehet sérült.

Példák az ajtó veszélyes sérüléseire:

- a) A sütőajtó BENYOMÓDÁSA.
- b) Kilazult vagy törött AJTÓPÁNT vagy AJTÓBIZTOSÍTÉK.
- c) AJTÓSZIGETELÉS VAGY A KÉSZÜLÉKHÁZ HOMLOKFALÁNAK A TÖMÍTŐ FELÜLETE.

A mikrohullámú sütőt kizárólag szakképzett személy állíthatja be, vagy javíthatja.

4. Mint a legtöbb sütő esetében, a készülék házában keletkező tűz elkerülése érdekében a biztonsági utasítások szigorú betartására van szükség.

Ha tűz ütne ki:

1. Ne nyissa ki a sütő ajtaját.
2. Kapcsolja ki a sütőt és húzza ki a villásdugót a fali aljzatból.
3. Kapcsolja ki a elektromos áramkör főkapcsolóját.

TISZTÍTÁS

Ellenőrizze le, hogy a készüléket a villásdugó kihúzásával áramtalanította.

1. Nedves ruhával törölje ki a sütő belsejét.
2. A tartozékokat hagyományos módon, mosogatószeres vízzel tisztítsa meg.
3. A beszennyeződött ajtókeretet, tömítést és környező felületeket óvatosan törölje át mosogatószeres vízbe mártott ruhával, majd törölje szárazra.

A sütőt földelni kell. A készülék villásdugóját kizárólag megfelelően földelt konnektorba szabad csatlakoztatni.

Az elektromos áramkörrel vagy a sütő helyes működésével kapcsolatosan felmerülő bármilyen kétségek esetén kérje szakképzett villanszerelő vagy szerviztechnikus segítségét.

1. A mikrohullámú sütő rövid csatlakozókábellel rendelkezik, csökkentve ezzel a beakadás vagy a készülék lerántásának kockázatát.
2. A hosszabbító kábelnek az alábbi feltételeknek kell megfelelnie:

- a) A megengedett elektromos terhelés szempontjából a hosszabbító kábel és a konnektor névleges értékeinek meg kell felelniük a mikrohullámú sütő névleges értékeinek.
- b) Háromeres hosszabbító kábelre van szükség, és mind a villásdugónak, mind a dugaszolóaljzatnak földelő érintkezővel kell rendelkeznie.
- c) A kábelt rejtse el, hogy ne lógjon feleslegesen le a konyhapultról, könnyen bele lehetne akadni, ami a készülék lerántásának vagy a kábel kiszakadásának veszélyét rejti magában.

ESZKÖZÖK ÉS EDÉNYEK FIGYELMEZTETÉS!

Balesetveszély

Kizárólag csak mikrohullámú sütőben használható táányérokát és edényeket használjon. A szorosan lezárt edények melegítés közben felrobbanhatnak. A lezárt edényeket melegítés előtt nyissa ki, a műanyag csomagolást át kell lyukasztani (részletesebben lásd a mikrohullámú sütőben használható anyagok fejezetben). Bizonyos nem fémes anyagok használata sem biztonságos a mikrohullámú sütőben. Ha nem biztos benne, hogy az adott anyag biztonságosan használható-e a mikrohullámú sütőben, az alábbiak szerint járjon el:

Konyhai edény próba

1. A mikrohullámú sütőben használható edényt tölts fel hideg vízzel (250 ml).
2. Melegítse megközelítőleg 1 percre maximális sütőtéljesítménnyel.
3. Óvatosan ellenőrizze le az edény hőmérsékletét. Ha az edény meleg, ne használja mikrohullámú sütőben.
4. Ne melegítse 1 percnél tovább.

ÉLETVESZÉLY **gyereknek!** **A csomagolóanyag nem játék, azt gyerekek elől elzárva tárolja.** Műanyag zacskókkal a gyerekek nem játszhatnak! Fulladásveszély!



Forró felület!

A mikrohullámú sütőben használható anyagok

Edények	Megjegyzés
Sütőtepsik	Tartsa be a gyártó utasításait. A sütőtepsi aljának legalább 5 mm-rel a forgótányér fölött kell lennie. A helytelen használat a forgótányér elrepedéséhez vezethet.
Tányérok	Kizárólag mikrohullámú sütőben használható tányérokat és edényeket használjon. Tartsa be a gyártó utasításait. Ne használjon repedt, vagy más módon sérült tálakat.
Üveg poharak és kancsók	Minden esetben távolítsa el a légmentesen záró kupakot, fedelet. Az ételt csak melegítse. Ne főzze! A legtöbb üvegkancsó és pohár nem képes ellenállni a magas hőmérsékleteknek, ezért megrepedhetnek.
Üveg sütőtálak	Kizárólag magas hőmérsékleteknek ellenálló üveg sütőtálakat használjon. Ellenőrizze le, hogy a tál nem tartalmaz sem fémzselegyt sem más fémtartozékot. Ne használjon repedt, vagy más módon sérült tálakat.
Sütőzacskók	Tartsa be a gyártó utasításait. Ne zárja le fémcstallal. Hagyja nyitva a zsák száját, hogy a keletkező forró gőzök szabadon távozhassanak.
Papírtálcák	Kizárólag melegítésre vagy rövid főzésre alkalmas. Soha ne hagyja a sütőt főzés közben felügyelet nélkül.
Papírtörlok	Az ételek letakarására és a megolvadt zsír felszívására használja. Csak rövid idejű sütésekhez használható. A készüléket működés közben ne hagyja felügyelet nélkül.
Pergamen sütőpapír	Kizárólag az ételek letakarására, az ételek becsomagolására pároláshoz, illetve a sütő belsejének a védelméhez (fröccsenés megakadályozásához takaróként).
Műanyagok	Kizárólag mikrohullámú sütőben használható tányérokat és edényeket használjon. Tartsa be a gyártó utasításait. A mikrohullámú sütőben használható műanyagoknak a következő egyedi jelzéssel kell rendelkezniük: „mikrohullámú sütőben használható”. Egyes műanyagok a hosszan tartó hőhatás következtében meglágyulnak. A főző- és sütőzacskókat fel kell vágni, át kell szűrni, vagy a gyártó utasításai szerint más módon biztosítani kell a keletkező belső nyomás elvezetését.
Műanyag csomagolófólia	Kizárólag mikrohullámú sütőben használható tányérokat és edényeket használjon. Az ételek letakarásához és az ételek nedvességtartalmának megőrzéséhez használja a főzés közben. Ügyeljen arra, hogy a műanyag fólia ne érjen hozzá a készülő ételhez.
Hőmérők	Kizárólag mikrohullámú sütőben használható hőmérőket használjon. (Húsok, péksütemények és édességek sütéséhez használatos hőmérők).
Viaszpapír	Az ételek letakarására és az ételek nedvességtartalmának megőrzésére, illetve a sütő belsejének a védelméhez (fröccsenés megakadályozásához takaróként) használható.

Mikrohullámú sütőben nem használható anyagok

Eszközök és edények	Megjegyzés
Alumínium tálcák és tepsik	Összeszugorodás veszélye. Helyezze át az ételt mikrohullámú sütőben használható edénybe.
Fémfogantyús élelmiszer tartó és kartondobozok	Összeszugorodás veszélye. Helyezze át az ételt mikrohullámú sütőben használható edénybe.
Fémedények és fém díszítéseket tartalmazó edények	A fém megakadályozza a mikrohullámú energia átjutását. A fémzselegy összeszugorodhat.
Drótkarikák	Összeszugorodás és tűz veszélye a sütőben.
Papírzacskók	Kigyulladhat. Tűz veszélye a sütőben.
Habanyagok	Magas hőmérsékletek hatására a műanyag hab elolvadhat, és tönkretelheti az ételt.
Fa	A fa kiszárad és megrepedhet a sütés közben.

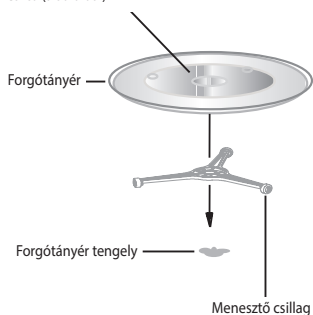
Mikrohullámú sütőben főzéshez és grillezéshez használható anyagok

Anyag	Mikrohullámú sütés	Grillezés	Kombináció
Hőálló üveg	igen	igen	igen
Standard üveg	nem	nem	nem
Sütéshez készült kerámia	igen	igen	igen
Mikrohullámú sütőben használható műanyag edény	igen	nem	nem

Anyag	Mikrohullámú sütés	Grillezés	Kombináció
Sütőpapír	igen	nem	nem
Fém rostély	nem	igen	nem
Fém tepsi, tálca	nem	igen	nem
Alumínium fólia	nem	igen	nem

A FORGÓTÁNYÉR BEHELYEZÉSE

Menesztő (alsó oldal)



1. Soha ne helyezze be az üvegtányért tetejével lefelé. Az üvegtányérnak mindig szabadon kell forognia.
2. A mikrohullámú sütőt forgótányér és menesztő csillag nélkül ne használja.
3. Minden ételt és edényt, mindig a forgótányérra helyezzen le.
4. Ha a forgótányér vagy a menesztő csillag megsérül, akkor forduljon márkaszervizhez.

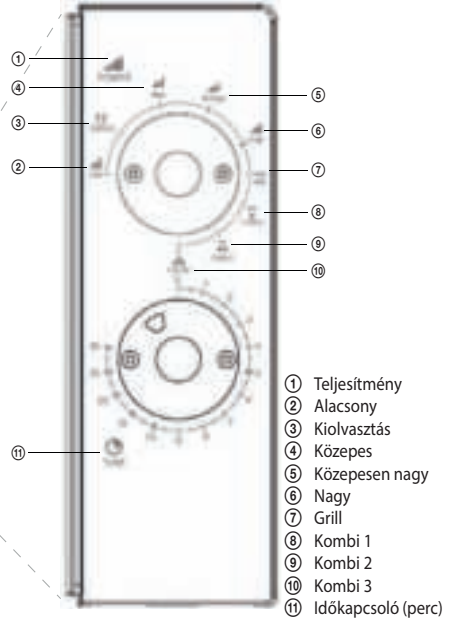
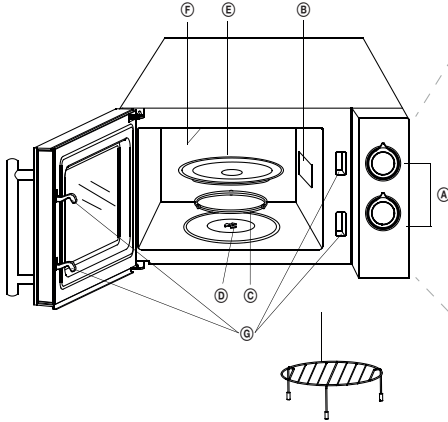
A MIKROHULLAMÚ SÜTŐ ELŐKÉSZÍTÉSE

A mikrohullámú sütő részei és tartozékai

A csomagból vegye ki a mikrohullámú sütőt és tartozékait.

A mikrohullámú sütőhöz a következő tartozékok tartoznak:

Forgótányér	1
Menesztő	1
Használati útmutató	1



- A Működtető panel
B Hullám-vezető
C Menesztő gyűrű
D Forgótányér tengely
E Üvegtányér

- F Grill
G Biztonsági zár
(ajtónyitás esetén szünetelteti a készülék működését)

TELEPÍTÉS

Távolítsa el az összes csomagolóanyagot, és vegyen ki minden tartozékot.

Ellenőrizze le, hogy a sütő nem sérült-e meg (benyomódás, karcolás stb.). Ne telepítse a sütőt, ha sérült.

Konyhai munkalap

Készülékház: Távolítsa el a sütőről az összes védőfóliát.

Ne szedje le a sütő belsejéhez csavarozott világosbarna fóliát. Ez a fólia védi a sütő magnetronját.

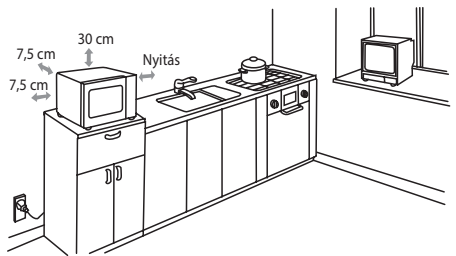
Telepítés

1. Állítsa a sütőt olyan sima felületre, amely biztosítja, hogy a szellőző nyílások szabadon maradjanak és a készülék megfelelő módon szellőzzön.

A mikrohullámú sütőt legalább 7,5 cm távolságra kell elhelyezni a faltól.

A készüléknek legalább az egyik oldalát teljesen szabadon kell hagyni.

- a) A sütő felett biztosítson legalább 30 cm szabad helyet.
- b) A sütő lábait ne távolítsa el.
- c) Ne takarja el a szellőzőnyílásokat. A sütő meghibásodhat.
- d) A sütőt a lehető legmesszebb helyezze el a rádió- és tévékészülékektől. A mikrohullámú sütő zavarhatja a tévé- és rádióadások vételét.



2. Csatlakoztassa a sütőt az elektromos hálózathoz. Ellenőrizze le, hogy a sütő gyári adatlapján feltüntetett tápfeszültség és frekvencia megegyezik-e a hálózati feszültséggel és frekvenciával.

FIGYELMEZTETÉS! A mikrohullámú sütőt főzőlap fölé vagy ahhoz közel, illetve más hőforrás közvetlen közelében nem szabad elhelyezni. A hőforrások közelében való elhelyezés meghibásodást vagy sérülést okozhat a sütőben, ezekre a garancia nem vonatkozik.

A mikrohullámú sütőt konyhaszekrénybe beépíteni nem lehet, azt szabadon elhelyezve kell üzemeltetni.

Használat során a mikrohullámú sütő külső burkolata erősen felmelegszik.



Működtető panel és funkciók

1. A Power gomb elforgatásával állítsa be a kívánt teljesítményt.
2. A Time gomb elforgatásával állítsa be a kívánt főzési időt (max. 30 perc).
3. A teljesítmény és a főzési idő beállítása után a mikrohullámú sütő automatikusan megkezdi az étel főzését.
4. A beállított idő eltelte után a mikrohullámú sütő kikapcsol.
5. Ha a mikrohullámú sütőt nem használja, akkor az idő kapcsoló gombot állítsa „0” állásba.

Megjegyzés: ha két percnél rövidebb főzési időt kíván beállítani, akkor a gombot fordítsa túl a 2 perc jelen, majd a gombot visszafelé forgatva állítsa be a főzési időt.

Mikrohullámú melegítés

A mikrohullámú ételmelegítéshez öt főzési teljesítmény előre be van állítva a készüléken (különböző melegítési módokhoz). A gomb jobbra forgatásával a beállított főzési teljesítmény növekszik. Az alábbi főzési teljesítmények állnak rendelkezésre.

F ő z é s i teljesítmény	Leírás
100 %	HIGH
81%	M.HIGH
58%	MED
36%	DEFROST
18%	LOW

Grillezés

A Power gomb jobbra forgatásával, a legnagyobb mikrohullámú teljesítmény után található „GRIL” (⑦) jelre állításával, a készülék átkapcsol grill üzemmódra, például húszzeletek, steak, kolbászok, darált húsook, csirkehúsok stb. sütéséhez. Ezzel az üzemmóddal például melegszendvicsek és más hasonló ételek készíthetők.

Kombinált üzemmód

Ahogy a megnevezés is elárulja, ebben az üzemmódban a készülék kombinálja a mikrohullámú sütést és a grillezést. Három előre beállított kombinált üzemmód közül lehet választani, a készülék különböző hosszúságban kombinálja a mikrohullámú sütést és a grillezést. Az egyes kombinációk beállításait az alábbi táblázat tartalmazza. A kombinált üzemmódok különösen jól használhatók bizonyos ételek készítéséhez. A grillezéssel az étel felülete ropogósabb lesz.

Az alábbi táblázatban a 3 beállítási mód részletei láthatók.

Program	Mikrohullámú melegítés	Grillezés	A következő ételek készítéséhez
Kombi 1	30%	70%	Halak, burgonya, teljes kiőrlésű ételek
Kombi 2	49%	51%	Puding, omllett, sült burgonya
Kombi 3	67%	33%	Csirkehús

PROBLÉMA MEGOLDÁS

Általában	
A mikrohullámú sütő zavarja a tévé vételét.	A bekapcsolt mikrohullámú sütő zavarhatja a rádió és televízió vételét. Ez a kis elektromos fogyasztókhöz hasonló jelenség, előfordulhat pl. mixer, porszívó és elektromos ventilátor esetében is.
A sütőben elhalványul a lámpa fénye.	Kiseb mikrohullámú teljesítmény használata esetén a sütőben elhalványulhat a lámpa fénye.
Az ajtón gőz csapódik le, és a szellőzőnyílásokból forró levegő távozik.	Főzés közben az ételből gőz szállhat fel. A gőz legjava a szellőzőnyílásokon keresztül távozik, de egy része hűvösebb helyeken, mint pl. az ajtón csapódhat ki. Ez normális jelenség.
A sütő véletlenül üres állapotban lett bekapcsolva.	Soha ne kapcsolja be üresen a sütőt. Nagyon veszélyes.

Probléma	Lehetséges ok	Megszüntetés
A sütő nem kapcsolható be.	(1) A csatlakozó nincs jól bedugva a konnektorba.	Húzza ki a kábelt a konnektorból. Körülbelül 10 másodperc múlva ismét dugja vissza a konnektorba.
	(2) Kiolvadt a biztosító vagy lekapcsolt a kismegszakító.	Cseréltesse ki a biztosítót (a javítást csak a márkaszerviz szakembere végezheti el) vagy kapcsolja be a kismegszakítót.
	(3) Probléma a konnektorral.	Az aljzathoz csatlakoztasson egy másik készüléket.
A sütő nem melegít.	(4) Az ajtó nincs megfelelően becsukva.	Zárja be jól az ajtót.
Üzem közben a tányér hangokat ad ki.	(5) A tányérforgató vagy a sütő alja beszennyeződött.	Tisztítsa meg a sütőt a „Tisztítás” fejezetben olvasható utasítások szerint.

MŰSZAKI ADATOK

Térfogat:	20 l	Névleges feszültség:	230–240 V~ 50 Hz
Mikrohullámú teljesítmény:	700 W	Névleges teljesítményfelvétel:	1 200 W
Időkapcsoló:	30 perc	Üzemi frekvencia:	2 450 MHz
Teljesítmény beállítás:	5 teljesítmény	Zajszint:	55 dB
Forgótányér:	Ø 245 mm	Grill:	900 W
Súly:	11,3 kg		
Méret:	452 × 262 × 364 mm		
Belső tér mérete:	315 × 198 × 297 mm		

A HULLADÉKOK MEGSEMMISÍTÉSE

A papírt és a hullámpapírt dobja a papírgyűjtő konténerbe. A műanyag fóliákat, PE zacskókat és egyéb műanyag csomagolóanyagokat a műanyag gyűjtő konténerbe dobja ki.

A TERMÉK MEGSEMMISÍTÉSE AZ ÉLETTARTAMA VÉGÉN

Az elektromos és elektronikus hulladékok kezelésére vonatkozó információk (érvényes az EU tagországokban és a hulladékok szelektálását előíró országokban)

A terméken, vagy a termék csomagolóanyagán feltüntetett jel azt jelenti, hogy az elektromos és elektronikus készüléket a háztartási hulladékok közé kidobni tilos. A terméket az elektromos és elektronikus hulladékok gyűjtésére kijelölt hulladékgyűjtő helyen kell leadni újrahasznosításhoz. Az elhasznált termék előírászerű újrafeldolgozásával Ön is hozzájárul a környezetünk védelméhez. A hulladékok megfelelő újrahasznosítása fontos szerepet játszik a természeti erőforrások kímélésében. A termék hulladékgyűjtőbe való leadásáról, és az anyagok újrahasznosításáról további információkat a polgármesteri hivatalban, a hulladékgyűjtő helyen, vagy a termék eladási helyén kaphat.

Ez a termék megfelel a kisfeszültségű berendezések biztonságára és az elektromágneses kompatibilitásra vonatkozó EU irányelveknek.

A használati útmutatót a www.ecg-electro.eu honlapról töltheti le.

A szöveg és a műszaki paraméterek megváltoztatásának a joga fenntartva.



08/05



INSTRUKCJE BEZPIECZEŃSTWA

Należy uważnie przeczytać i zachować do wglądu!

Uwaga: Wskazówki i środki bezpieczeństwa w niniejszej instrukcji nie obejmują wszystkich warunków i sytuacji, mogących spowodować zagrożenie. Najważniejszym czynnikiem odpowiadającym za bezpieczne korzystanie z urządzeń elektrycznych jest ostrożność i zdrowy rozsądek. Należy mieć to na uwadze w trakcie obsługi urządzenia. Nie ponosimy odpowiedzialności za szkody powstałe podczas transportu, na skutek nieprawidłowego użytkowania, wahań napięcia oraz zmiany lub modyfikacji którejkolwiek części urządzenia. Aby zapobiec wzniesieniu ognia lub porażeniu prądem elektrycznym, korzystając z urządzeń elektrycznych należy przestrzegać podstawowych zasad bezpieczeństwa, m.in.:

1. Upewnij się, że napięcie w sieci odpowiada napięciu podanemu na naklejce na urządzeniu, a gniazdko jest odpowiednio uziemione. Gniazdko musi być zainstalowane zgodnie z obowiązującymi przepisami zgodnymi z normą EN.
2. Nie należy korzystać z urządzenia, jeżeli nie działa w prawidłowy sposób, uszkodzone są drzwiczki lub przewód zasilający.

OSTRZEŻENIE: Osoby bez odpowiedniego przeszkolenia nie powinny wykonywać żadnych napraw ani konserwacji, przy których zachodzi konieczność demontażu jednej z osłon, chroniących przed promieniowaniem mikrofalowym.

Wszelkie naprawy i regulacje, w tym wymianę przewodu zasilającego, należy zlecić w profesjonalnym serwisie! Przed naprawą należy odłączyć przewód zasilający od gniazda. Zdjęcie osłon przy podłączonym przewodzie zasilania grozi obrażeniami na skutek działania energii mikrofalowej lub prądu elektrycznego!

3. Chronić urządzenie przed bezpośrednim kontaktem z wodą i innymi cieczami, aby zapobiec porażeniu prądem elektrycznym. Nie zanurzać przewodu zasilającego ani wtyczki w wodzie!
4. Nie używaj kuchenki mikrofalowej na zewnątrz lub w wilgotnym środowisku, nie dotykaj urządzenia ani przewodu zasilającego mokrymi rękami. Mogłoby to spowodować porażenie prądem elektrycznym.

5. Należy zachować szczególną ostrożność, jeżeli w pobliżu urządzenia przebywają dzieci.
6. Nie pozostawiaj włączonej kuchenki bez nadzoru.
7. Nie należy pozostawiać kuchenki podłączonej do gniazda zasilania bez nadzoru. Przed czynnościami konserwacyjnymi należy wyjąć wtyczkę przewodu zasilającego z gniazdka. Nie należy wyciągać wtyczki pociągając za kabel. Odłącz kabel chwytając za wtyczkę.
8. Nie używaj kuchenki mikrofalowej w pobliżu źródeł ciepła, np. piekarnika. Chroń urządzenie przed promieniowaniem słonecznym.
9. Przewód zasilania nie może dotykać rozgrzanych elementów ani ostrych krawędzi.
10. Aby obniżyć ryzyko pożaru wewnątrz kuchenki, należy przestrzegać poniższych zasad:
 - a) Nie przegrzewaj jedzenia.
 - b) Przed włożeniem do kuchenki torebek papierowych lub plastikowych należy zdjąć z nich wszelkie spinacze.
 - c) Nie podgrzewaj w kuchence oleju ani tłuszczu do smażenia, ponieważ nie można kontrolować ich temperatury. Kuchenka nie służy do smażenia. Gorący olej może uszkodzić kuchenkę i naczynia oraz spowodować oparzenia.
 - d) Po użyciu wytrzyj drzwiczki, uszczelkę i wnętrze piekarnika ściereczką zamoczoną w wodzie z płynem do mycia naczyń, a następnie wytrzyj do sucha. W ten sposób usuniesz zanieczyszczenia, tłuszcz i ewentualne resztki jedzenia.

OSTRZEŻENIE: Jeżeli drzwi (lub ich uszczelka) są uszkodzone, nie wolno używać kuchenki i należy oddać ją do naprawy w profesjonalnym serwisie. Kuchenka powinna być w odpowiedni sposób czyszczona, a resztki żywności powinny być usuwane. Nieutrzymywanie kuchenki w czystości może doprowadzić do uszkodzenia powierzchni, co może negatywnie wpłynąć na okres użytkowania urządzenia i doprowadzić do niebezpiecznych sytuacji. Nagromadzony tłuszcz może się przegrzewać w kuchence i doprowadzić do pożaru.

Nie używaj do czyszczenia środków trących.

Nie wolno czyścić urządzenia za pomocą myjki parowej.

e) Jeżeli podgrzewane jedzenie zapali się lub zacznie się z niego wydobywać dym, nie otwieraj kuchenki, ale natychmiast ją wyłącz i wyjmij wtyczkę przewodu zasilającego z gniazdka, aby zapobiec rozprzestrzenianiu się ewentualnego ognia.

f) Nie wolno pozostawiać urządzenia bez nadzoru podczas korzystania z jednorazowych naczyń plastikowych lub innych materiałów łatwopalnych, aby zapobiec zapłonowi.

11. Aby zmniejszyć ryzyko wybuchu lub nagłego zagotowania, należy przestrzegać poniższych zasad:

OSTRZEŻENIE: Płyny i inne potrawy nie mogą być ogrzewane w zamkniętych pojemnikach, ponieważ grozi to wybuchem. Do nich należą również butelki dziecięce z zakrętką lub ze smoczkiem.

a) Płyny należy podgrzewać w naczyniu z szerokim otworem, a po podgrzaniu nie wolno dotykać naczynia przez 20 sekund, aby zawartość nie wykpiła i nie wylała się.

b) W kuchence nie wolno podgrzewać jaj w skorupkach, całych jaj ugotowanych na twardo, wody zawierającej tłuszcz lub olej ani zamkniętych naczyń szklanych, które mogłyby wybuchnąć również po zakończeniu ogrzewania. Ziemniaki, parówki i kasztany należy przed włożeniem do kuchenki obrać lub przebić.

c) Ogrzewanie mikrofalowe napojów może spowodować opóźnione wrzenie, z czym należy się liczyć podczas trzymania naczynia.

d) Należy wymieszać lub wstrząsnąć zawartość butelek do karmienia oraz żywności dla dzieci przed podaniem. Należy także sprawdzić temperaturę przed spożyciem, aby uniknąć poparzenia.

12. Po zakończeniu podgrzewania naczynia są bardzo gorące. Należy wyjmować je w rękawicach kuchennych. Gorąca para może spowodować oparzenia rąk i twarzy.

13. Pokrywki naczyń lub folię spożywczą należy zdejmować powoli, z daleka od twarzy. W podobny sposób należy otwierać woreczki z popcornem i worki do pieczenia.

14. Aby uniknąć rozbicia talerza obrotowego:

a) Przed czyszczeniem pozostaw talerz do ostygnięcia.

b) Nie stawiaj na zimnym talerzu gorącego jedzenia ani naczyń.

- c) Na gorącym talerzu nie stawiaj mrożonych produktów, ani zimnych naczyń.
15. Upewnij się, że naczynia w trakcie podgrzewania nie dotykają wewnętrznych ścian kuchenki.
 16. W kuchence nie należy przechowywać pożywienia ani innych przedmiotów. Kuchenka może uruchomić się samoczynnie przy uderzeniu pioruna w sieć elektryczną.
 17. Nie włączaj kuchenki, jeżeli nie znajdują się w niej produkty spożywcze. Mogłoby to spowodować jej uszkodzenie. Nie należy zapychać ani blokować otworów wentylacyjnych urządzenia.
 18. Stosowanie innych akcesoriów od zalecanych przez producenta grozi utratą gwarancji.
 19. Używaj urządzenia tylko zgodnie z zaleceniami zawartymi w niniejszej instrukcji. Urządzenie przeznaczone jest wyłącznie do użytku domowego. Producent nie ponosi odpowiedzialności za szkody powstałe na skutek nieprawidłowego stosowania urządzenia.
 20. Kuchenka mikrofalowa przeznaczona jest do podgrzewania żywności i napojów. Suszenie żywności lub odzieży, podgrzewanie poduszek rozgrzewających, obuwia, gąbek do mycia, mokrych ubrań i podobnych przedmiotów może doprowadzić do zranienia lub pożaru.
 21. Urządzenie przeznaczone jest do użytku domowego oraz w podobny sposób, jako np.:
 - aneksy kuchenne w sklepach, biurach i pozostałych miejscach pracy
 - urządzenia stosowane w rolnictwie
 - urządzenia używane przez gości w hotelach, motelach itp.
 - urządzenia używane w pensjonatach, oferujących nocleg ze śniadaniem.
 22. Urządzenie może być użytkowane przez dzieci od 8 lat, osoby starsze i osoby o ograniczonych zdolnościach psychofizycznych lub niewystarczającym doświadczeniu i znajomościach, jeżeli są pod nadzorem lub zostały odpowiednio poinstruowane w zakresie bezpiecznego użytkowania urządzenia. Dzieci nie mogą bawić się urządzeniem. Czyszczenia i konserwacji nie mogą wykonywać dzieci, o ile nie są starsze niż 8 lat i pod nadzorem.

Nie należy wystawiać się na działanie promieniowania mikrofalowego

1. Nie wolno próbować włączać urządzenia, kiedy otwarte są drzwiczki. Grozi to wystawieniem na szkodliwe promieniowanie mikrofalowe. Nie należy próbować przytrzymywać ani modyfikować zamka bezpieczeństwa drzwiczek.
2. Pomiędzy drzwiczki kuchenki nie należy wkładać żadnych przedmiotów. Na uszczelkach oraz przylegającej do nich powierzchni nie powinny znajdować się żadne ślady brudu ani resztek środków czyszczących.
3. Nie należy próbować uruchamiać uszkodzonego urządzenia. Po zamknięciu drzwiczki powinny być idealnie szczelne i nie mogą być w żaden sposób uszkodzone.

Przykładowe niebezpieczne uszkodzenie drzwiczek:

- a) WGNIECENIE drzwiczek.
- b) Poluzowane lub ułamane ZAWIASY oraz ZABEZPIECZENIA drzwiczek.
- c) USZCZELKA DRZWI LUB PRZYLEGAJĄCA DO NIEJ POWIERZCHNIA RAMY KUCHENKI.

Napraw i regulacji kuchenki może dokonywać wyłącznie wykwalifikowany specjalista.

4. Podobnie jak w przypadku innych urządzeń do pieczenia, w trakcie obsługi kuchenki konieczny jest ciągły nadzór ze względu na zagrożenie pożarowe.

Jeżeli wybuchnie pożar:

1. Nie otwieraj drzwiczek kuchenki.
2. Wyłącz kuchenkę i wyciągnij wtyczkę z gniazdka.
3. Wyłącz główny wyłącznik prądu elektrycznego.

CZYSZCZENIE

Upewnij się, że kuchenka została odłączona od zasilania poprzez wyjęcie wtyczki z gniazdka.

1. Wyczyść wnętrze kuchenki wilgotną szmatką.
2. Umyj akcesoria w wodzie z mydłem.
3. Zanieczyszczoną ramę drzwiczek, uszczelkę i jej okolicę należy ostrożnie oczyścić wilgotną szmatką zmoczoną w wodzie z niewielką ilością płynu do mycia naczyń, a następnie wytrzeć do sucha.

Kuchenka musi być uziemiona. Wtyczkę przewodu zasilania można podłączyć tylko do odpowiednio uziemionego gniazdka.

W razie jakichkolwiek wątpliwości dot. sprawności instalacji el. lub awarii kuchenki należy skorzystać z usług wykwalifikowanego elektryka.

1. Kuchenka mikrofalowa posiada krótki kabel zasilający, aby zmniejszyć ryzyko zaplątania kabla lub przypadkowego zawadzenia.
2. Przedłużacz musi spełniać następujące warunki:
 - a) Wartości nominalne obciążenia elektrycznego przedłużacza i gniazdka muszą odpowiadać wartościom nominalnym kuchenki mikrofalowej.
 - b) Przedłużacz musi być trójżyłowy, a jego wtyczka i gniazdko muszą być uziemione.
 - c) Kabel musi być schowany, nie może zwisać z blatu stołu, aby dzieci nie mogły o niego zawadzić, lub przypadkowo wyciągnąć z gniazdka.

PRZYBORY I NACZYNIA

UWAGA

Niebezpieczeństwo urazu

Stosuj wyłącznie naczynia przeznaczone do użytku w kuchenkach mikrofalowych. Szczelnie zamknięte naczynia mogą wybuchnąć w trakcie podgrzewania. Pojemniki należy przed podgrzewaniem otworzyć, a opakowania plastikowe przedziurawić, patrz: Materiały, które mogą i nie mogą być stosowane do podgrzewania produktów w kuchenke mikrofalowej. Oprócz metali są też inne materiały, które nie mogą być używane do podgrzewania produktów spożywczych w kuchenke mikrofalowej. W razie niepewności, czy dany materiał nadaje się do użycia w kuchenke mikrofalowej, należy postępować w poniższy sposób:

Test naczyń kuchennych:

1. Naczynie przeznaczone do gotowania w kuchenke mikrofalowej napełnij zimną wodą (250 ml).
2. Ogrzewaj przez 1 minutę przy maksymalnej mocy kuchenki.
3. Ostrożnie dotknij naczynia i sprawdź jego temperaturę. Jeżeli naczynie jest ciepłe, nie należy używać go do podgrzewania jedzenia w kuchenke mikrofalowej.
4. Nie należy podgrzewać dłużej niż 1 minutę.

NIEBEZPIECZEŃSTWO dla dzieci: Dzieci nie powinny bawić się materiałami opakowanymi. Nie pozwalaj dzieciom bawić się torbami plastikowymi. Niebezpieczeństwo uduszenia.



**Gorąca
powierzchnia!**

Materiały, które mogą być stosowane podczas podgrzewania w kuchence mikrofalowej

Naczynie	Uwagi
Blachy do pieczenia	Postępuj zgodnie z instrukcjami producenta. Dno naczynia musi znajdować się min. 5 mm nad talerzem obrotowym. W przeciwnym razie talerz obrotowy może pęknąć.
Talerze	Stosuj wyłącznie talerze i naczynia przeznaczone do użytku w kuchenkach mikrofalowych. Postępuj zgodnie z instrukcjami producenta. Nie używaj pękniętych ani uszkodzonych naczyń.
Szklanki i dzbanki ze szkła	Należy zawsze zdjąć pokrywkę/zakrętkę. Produkt można co najwyżej lekko podgrzać. Nie wolno gotować! Większość szklanek i dzbanków ze szkła nie jest odporna na wysokie temperatury i może pęknąć.
Szklane brytfanny	Stosuj wyłącznie brytfanny odporne na działanie wysokiej temperatury. Sprawdź, czy brytfanna nie posiada metalowych elementów. Nie używaj pękniętych ani uszkodzonych naczyń.
Woreczki do pieczenia	Postępuj zgodnie z instrukcjami producenta. Nie zamykaj przy pomocy metalowych klipsów. Należy pozostawić woreczki lekko otwarte, aby para mogła swobodnie wydostać się na zewnątrz.
Talerze papierowe	Nadają się tylko do podgrzania lub krótkiego gotowania. W trakcie podgrzewania nie pozostawiaj urządzenia bez nadzoru.
Serwetki papierowe	Używaj do przykrycia produktów i usunięcia roztopionego tłuszczu. Stosować do krótkotrwałego gotowania. Nie pozostawiać kuchenki bez nadzoru.
Papier do pieczenia	Używaj do przykrycia produktów, do zapakowania w trakcie duszenia i w celu ochrony kuchenki przed zabrudzeniem.
Plastiki	Stosuj wyłącznie talerze i naczynia przeznaczone do użytku w kuchenkach mikrofalowych. Postępuj zgodnie z instrukcjami producenta. Naczynia plastikowe przeznaczone do użytku w kuchence mikrofalowej muszą posiadać odpowiednie oznaczenie: „Nadaje się do użytku w kuchence mikrofalowej.” Niektóre plastiki mięknią na skutek długotrwałego oddziaływania wysokiej temperatury. Woreczki do gotowania i pieczenia należy przeciąć, przedziurawić lub w inny sposób umożliwić wydostanie się pary na zewnątrz zgodnie z zaleceniami producenta.
Plastikowa folia opakowaniowa	Stosuj wyłącznie talerze i naczynia przeznaczone do użytku w kuchenkach mikrofalowych. Używaj do przykrycia produktów i zachowania ich wilgotności w trakcie gotowania. Folia plastikowa nie powinna dotykać produktów spożywczych w trakcie podgrzewania.
Termometry	Stosuj wyłącznie termometry przeznaczone do użytku w kuchenkach mikrofalowych. (Termometry do mięsa, pieczywa i ciast).
Papier woskowy	Użyj do przykrycia produktów w celu zachowania ich wilgotności oraz zapobieżenia zabrudzeniu kuchenki.

Materiały, których nie wolno stosować w trakcie podgrzewania produktów w kuchence mikrofalowej

Naczynia i przybory	Uwagi
Blachy i tace aluminiowe	Mogłyby zostać zdeformowane. Produkt należy przełożyć do naczynia nadającego się do użytku w kuchence mikrofalowej.

Naczynia i przybory	Uwagi
Kartony i pojemniki na żywność z metalowym uchwytem	Mogłyby zostać zdeformowane. Produkt należy przełożyć do naczynia nadającego się do użytku w kuchenke mikrofalowej.
Naczynia metalowe lub posiadające metalowe elementy	Mikrofałe nie przenikają przez metal. Metalowa obwódka może zostać zdeformowana.
Druciane zaciski	Mogłyby zostać zdeformowane i spowodować pożar.
Torebki papierowe	Może dojść do wzniesienia ognia. Istnieje ryzyko pożaru wewnątrz kuchenki.
Naczynia z pianki	Na skutek działania wysokiej temperatury pianka może się rozpuścić i zanieczyścić żywność.
Drewno	Drewno wysusza się i może popękać w trakcie ogrzewania.

Wykorzystywanie materiałów podczas grillowania i gotowania w kuchenke mikrofalowej

Materiał	Gotowanie w kuchenke mikrofalowej	Grillowanie	Tryb łączony
Szko żaroodporne	Tak	Tak	Tak
Szko zwykłe	Nie	Nie	Nie
Ceramika przeznaczone do pieczenia	Tak	Tak	Tak
Naczynia plastikowe przeznaczone do użytku w kuchenke mikrofalowej	Tak	Nie	Nie
Papier do pieczenia	Tak	Nie	Nie
Ruszt metalowy	Nie	Tak	Nie
Blacha, tacka	Nie	Tak	Nie
Folia aluminiowa	Nie	Tak	Nie

MONTAŻ TALERZA OBROTOWEGO

Piasta (dolna część)



1. Talerza nie należy nigdy kłaść dnem do góry. Talerz musi się zawsze swobodnie obracać.
2. Kuchenki należy używać tylko w połączeniu z podstawką i talerzem obrotowym.
3. Wszystkie produkty i naczynia należy stawiać na szklanym talerzu.
4. Jeżeli talerz pęknie, albo zostanie uszkodzona podstawka, należy skontaktować się z autoryzowanym punktem serwisowym.

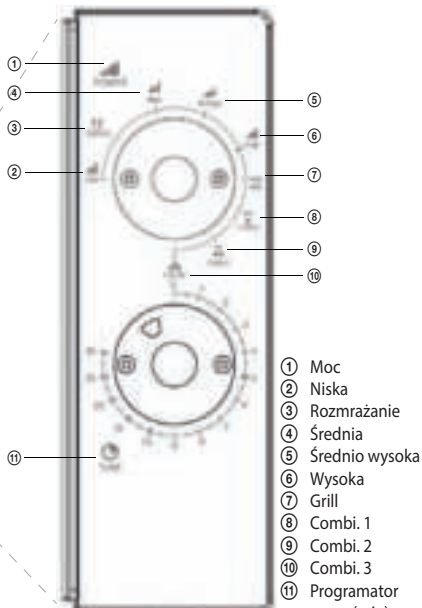
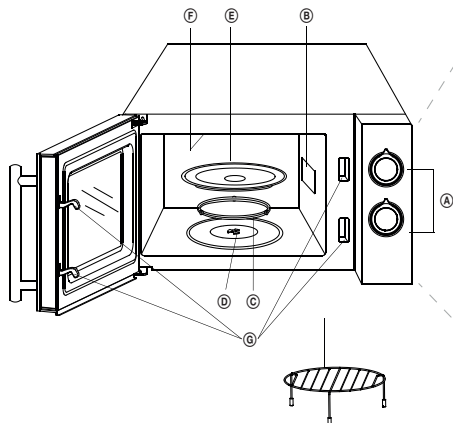
MONTAŻ KUCHENKI MIKROFALOWEJ

Nazwy poszczególnych elementów i akcesoriów

Rozpakuj kuchenkę i wszystkie jej elementy.

W opakowaniu powinny znajdować się następujące części:

Szklany talerz	1
Skompletowana podstawka pod talerz	1
Instrukcja obsługi	1



- ① Moc
- ② Niska
- ③ Rozmrażanie
- ④ Średnia
- ⑤ Średnio wysoka
- ⑥ Wysoka
- ⑦ Grill
- ⑧ Combi. 1
- ⑨ Combi. 2
- ⑩ Combi. 3
- ⑪ Programator czasu (min)

- (A) Panel sterowania
- (B) Falowód
- (C) Podstawa pod talerz
- (D) Oś talerza obrotowego
- (E) Szklany talerz
- (F) Grill
- (G) Zamek bezpieczeństwa
(Odłącza zasilanie, jeżeli drzwiczki zostaną otwarte w trakcie gotowania.)

MONTAŻ

Usuń materiały opakowaniowe i wyjmij wszystkie akcesoria.

Sprawdź, czy kuchenka nie jest uszkodzona (czy nie jest wgnieciona, nie są uszkodzone drzwiczki itp.). W razie wykrycia uszkodzeń nie należy rozpoczynać montażu.

Błat kuchenny

Korpus kuchenki: Usuń z powierzchni kuchenki folię ochronną.

Nie zdejmuj jasnobrązowej folii, przykręconej wewnątrz kuchenki.

Folia ta chroni magnetron kuchenki.

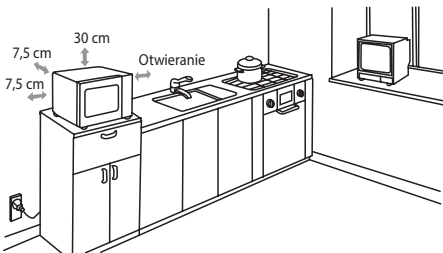
Instalacja

1. Kuchenka powinna stać na płaskiej, równej powierzchni, przestrzeń wokół kuchenki powinna umożliwiać prawidłowe działanie otworów wentylacyjnych.

Minimalna odległość pomiędzy kuchenką a ścianą powinna wynosić 7,5 cm.

Przynajmniej z jednej strony musi być swobodny dostęp.

- a) Wolna przestrzeń nad kuchenką powinna wynosić przynajmniej 30 cm.
- b) Nie należy demontować nóżek kuchenki.
- c) Nie wolno zasłaniać otworów wentylacyjnych. Mogłoby to spowodować uszkodzenie kuchenki.
- d) Kuchenkę należy umieścić jak najdalej od odbiornika radiowego lub telewizyjnego. Kuchenka może powodować zakłócenia sygnału radiowego i telewizyjnego.



2. Podłącz kuchenkę do standardowej sieci elektrycznej. Upewnij się, że napięcie i częstotliwość podane na tabliczce znamionowej kuchenki odpowiadają wartościom napięcia i częstotliwości sieci.

UWAGA: Nie należy instalować kuchenki nad ani w pobliżu płyty grzewczej lub innego urządzenia grzewczego. Mogłoby to spowodować uszkodzenie kuchenki i utratę gwarancji.

Kuchenka mikrofalowa przeznaczona jest do stosowania w otwartej przestrzeni i nie należy umieszczać jej w szafce.

W trakcie użytkowania powierzchnia kuchenki może być gorąca.



Panel sterowania i funkcje

1. Ustaw moc kuchenki obracając pokrętkę (Power) dożądanego poziomu.
2. Ustaw czas gotowania obracając pokrętkę włącznika czasowego w zależności od przygotowywanego posiłku (maks. 30 minut).
3. Po ustawieniu czasu i mocy kuchenka włączy się automatycznie.
4. Po upływie ustawionego czasu gotowania kuchenka wyłączy się automatycznie.
5. Jeżeli kuchenka nie jest używana, włącznik czasowy powinien być ustawiony na „0”.

Uwaga: Jeżeli wybierzesz czas gotowania krótszy niż dwie minuty, obróć pokrętkę o ponad 2 minuty, a następnie ustaw żądaną wartość.

Ogrzewanie mikrofalowe

Ogrzewanie mikrofalowe oferuje pięć poziomów mocy, które są przeznaczone do odpowiednich zadań. Moc wzrasta przy przekręcaniu pokrętki w prawo. Poziomy mocy są opisane w następujący sposób:

Moc wyjściowa	Opis
100 %	HIGH
81%	M.HIGH
58%	MED
36%	DEFROST
18%	LOW

Grillowanie

Obrócenie pokrętki zgodnie z ruchem wskazówek zegara powyżej najwyższego poziomu mocy kuchenki mikrofalowej (pozycja GRILL ⑦) spowoduje przejście do trybu grillowania, który jest szczególnie przydatny w przypadku cienkich plasterków mięsa, steków, kotletów, kebabów, kielbasek lub kawałków kurczaka. Tryb ten nadaje się także do przygotowywania ciepłych kanapek i potraw z pełnego ziarna.

Tryb łączony

Jak sama nazwa wskazuje, ten tryb gotowania łączy ogrzewanie mikrofalowe i grillowanie. Tryb jest dostępny w trzech poziomach mocy, które łączą różne poziomy mocy podgrzewania mikrofalowego i grillowania. Poziomy opisano w poniższej tabeli. Tryb łączony jest szczególnie odpowiedni dla niektórych rodzajów żywności. Pomaga także w osiągnięciu chrupkości.

W poniższej tabeli opisano 3 różne ustawienia trybu łączonego.

Program	Ogrzewanie mikrofalowe	Grillowanie	Nadaje się do
Combi. 1	30%	70%	Ryby, ziemniaki, potrawy pełnoziarniste
Combi. 2	49%	51%	Budyń, omlety, pieczone ziemniaki
Combi. 3	67%	33%	Drób

USUWANIE PROBLEMÓW

Najczęstsze	
Kuchenka mikrofalowa zakłóca odbiór telewizji.	Kuchenka może zakłócać odbiór sygnału radiowego i telewizyjnego. Jest to podobny efekt, jak zakłócenia wywołane przez urządzenia typu mikser, odkurzaczy, wentylator.
Światło w kuchence przygasa.	Światło może być mniej intensywne przy stosowaniu niższej mocy mikrofal.
Na drzwiczkach osadza się para, z otworów wentylacyjnych wydobywa się gorące powietrze.	W trakcie gotowania z produktów wydobywa się para. Większość pary ulatnia się przez otwory wentylacyjne, ale część może osadzić się na chłodniejszym miejscu jakim są drzwiczki. Jest to całkowicie normalne.
Przez pomyłkę została uruchomiona pusta kuchenka.	Nie wolno włączać pustej kuchenki. Jest to bardzo niebezpieczne.

Problem	Możliwa przyczyna	Sposób naprawy
Kuchenki nie można włączyć.	(1) Wtyczka przewodu zasilania nie jest odpowiednio podłączona do gniazdka.	Wyciągnij wtyczkę z gniazdka. Po około 10 sekundach podłącz kabel do gniazda.
	(2) Spalony bezpiecznik kuchenki / wyskoczył bezpiecznik sieciowy.	Wymień lub włącz bezpiecznik (naprawę przeprowadza technik serwisowy naszej firmy).
	(3) Problem z gniazdkiem.	Spróbuj podłączyć do gniazdka inne urządzenia.
Kuchenka nie grzeje.	(4) Drzwiczki nie są prawidłowo zamknięte.	Zamknij drzwiczki.
W trakcie pracy kuchenki szklany talerz wydaje dźwięki.	(5) Podkładka lub dno kuchenki są zanieczyszczone.	Wyczyść kuchenkę zgodnie z zaleceniami w części „Czyszczenie”.

DANE TECHNICZNE

Objętość:	20 l	Napięcie nominalne:	230–240 V~ 50 Hz
Moc wyjściowa mikrofal:	700 W	Moc nominalna:	1 200 W
Programator:	30 minut	Częstotliwość robocza:	2 450 MHz
Regulacja mocy:	5 poziomów	Poziom hałasu:	55 dB
Talerz obrotowy:	Ø 245 mm	Grill:	900 W
Waga:	11,3 kg		
Wymiary:	452 × 262 × 364 mm		
Wymiary wewnętrzne:	315 × 198 × 297 mm		

LIKWIDACJA ODPADÓW

Papier pakowy i tektura falista – oddaj do recyklingu. Folia do pakowania, worki PE, części plastikowe — do pojemników do zbierania tworzyw sztucznych.

LIKWIDACJA PRODUKTU PO SKOŃCZENIU OKRESU UŻYTKOWANIA

Utylizacja zużytego sprzętu elektrycznego i elektronicznego (dotyczy krajów Unii Europejskiej oraz innych krajów europejskich, które wdrożyły system segregacji odpadów)

Symbol na produkcie lub opakowaniu oznacza, że produkt nie powinien być traktowany jako odpad komunalny. Produkt należy przekazać do miejsca zajmującego się utylizacją sprzętu elektrycznego i elektronicznego. Prawidłowa utylizacja produktu chroni przed negatywnym wpływem na ludzi zdrowie i środowisko naturalne. Recykling materiałów pomaga w zachowaniu surowców naturalnych. Szczegółowe informacje o utylizacji produktu zapewni urząd gminy, organizacje zajmujące się utylizacją odpadów komunalnych lub punkt sprzedaży, w którym produkt został zakupiony.

Urządzenie spełnia wymagania dyrektyw UE dotyczących kompatybilności elektromagnetycznej i bezpieczeństwa elektrycznego.

Instrukcja obsługi jest dostępna na stronie internetowej www.ecg-electro.eu.

Zmiana tekstu i parametrów technicznych zastrzeżona.



08/05



BEZPEČNOSTNÉ POKYNY

Čítajte pozorne a uschovajte na budúcu potrebu!

Varovanie: Bezpečnostné opatrenia a pokyny uvedené v tomto návode nezahŕňajú všetky možné podmienky a situácie, ku ktorým môže dôjsť. Používateľ musí pochopiť, že faktorom, ktorý nie je možné zabudovať do žiadneho z výrobkov, je zdravý rozum, opatrnosť a starostlivosť. Tieto faktory teda musia byť zaistené používateľom/používateľmi používajúcimi a obsluhujúcimi toto zariadenie. Nezodpovedáme za škody spôsobené počas prepravy, nesprávnym používaním, kolísaním napätia alebo zmenou či úpravou akejkolvek časti zariadenia.

Aby nedošlo k vzniku požiaru alebo k úrazu elektrickým prúdom, mali by sa pri používaní elektrických zariadení vždy dodržiavať základné opatrenia, vrátane tých nasledujúcich:

1. Uistite sa, že napätie vo vašej zásuvke zodpovedá napätiu uvedenému na štítku zariadenia, a že je zásuvka riadne uzemnená. Zásuvka musí byť inštalovaná podľa platnej elektrotechnickej normy podľa EN.
2. Nikdy rúru nepoužívajte, ak sú poškodené dvierka, rúra nefunguje správne, alebo ak je prívodný kábel poškodený.

VÝSTRAHA: Je nebezpečné pre akúkoľvek osobu inú než preškolenú, aby vykonávala akékoľvek opravy alebo údržbu vedúcu k odstráneniu ľubovoľného krytu, ktorý zaisťuje ochranu pred žiarením mikrovlnnej energie.

Všetky opravy alebo nastavenia vrátane výmeny napájacieho prívodu zverte odbornému servisu! Pred opravou musí byť odpojený sieťový prívod od zásuvky. Odstránením krytov so zapojeným sieťovým prívodom môžete vystaviť nebezpečenstvu zasiahnutia mikrovlnnou energiou a elektrickým prúdom servisného technika!

3. Chráňte spotrebič pred priamym kontaktom s vodou a inými tekutinami, aby nedošlo k prípadnému úrazu elektrickým prúdom. Neponárajte prívodný kábel alebo vidlicu do vody!
4. Nepoužívajte mikrovlnnú rúru vonku alebo vo vlhkom prostredí ani sa nedotýkajte prívodného kábla alebo spotrebiča mokrymi rukami. Hrozí nebezpečenstvo úrazu elektrickým prúdom.

5. Dbajte na zvýšenú pozornosť, ak používate rúru v blízkosti detí.
6. Mikrovlnná rúra by nemala byť ponechaná počas chodu bez dozoru.
7. Odporúčame nenechávať rúru so zasunutým prívodným káblom v zásuvke bez dozoru. Pred údržbou vyťahnite prívodný kábel zo sieťovej zásuvky. Vidlicu nevyťahujte zo zásuvky ťahaním za kábel. Kábel odpojte od zásuvky uchopením za vidlicu.
8. Nepoužívajte mikrovlnnú rúru v blízkosti zdroja tepla, napr. platne sporáka. Chráňte ju pred priamym slnečným žiarením.
9. Prívodný kábel sa nesmie dotýkať horúcich častí ani viesť cez ostré hrany.
10. Riziko vzniku požiaru vnútri rúry obmedzte nasledovne:
 - a) Jedlo neprehrievajte.
 - b) Pred umiestnením papierových alebo plastových vrecúšok do rúry z nich odstráňte sponky.
 - c) Nerozohrievajte olej alebo tuk na smaženie v rúre, pretože teplotu oleja nie je možné regulovať. V rúre nesmažte potraviny. Horúci olej môže poškodiť časti rúry a kuchynskej nádoby a takisto spôsobiť popáleniny.
 - d) Po použití utrite dvierka, tesnenie dvierok a vnútorný priestor rúry utierkou navlhčenou v roztoku saponátu a vytrite do sucha. Tým odstránite všetky nečistoty, mastnotu a prípadné zvyšky pokrmu.

VÝSTRAHA: Ak sú dvierka alebo tesnenie dvierok poškodené, nesmie sa rúra používať, kým nebude opravená preškolenou osobou. Rúru by ste mali správne čistiť a prípadné zvyšky pokrmu odstrániť. Neudržiavanie rúry v čistote by mohlo viesť k poškodeniu povrchu, ktoré by mohlo nepriaznivo ovplyvniť životnosť spotrebiča a mať za následok vznik nebezpečnej situácie. Navršená mastnota by sa mohla prehriať a mohol by tak vzniknúť následne požiar.

Na čistenie nepoužívajte abrazívne prostriedky.

Spotrebič sa nesmie čistiť parným čističom.

- e) Ak by sa z upravovaného pokrmu vnútri rúry začalo dymiť alebo by sa vznietil, nechajte dvierka rúry zatvorené, rúru vypnite a vyťahnite vidlicu napájacieho prívodu zo zásuvky, aby sa zabránilo rozšíreniu prípadného ohňa.

f) V prípade použitia jednorazových nádob z plastu, papiera alebo iných horľavých materiálov nesmiete rúru nechať bez dozoru, aby nedošlo k vznieteniu.

11. Riziko výbuchu alebo náhleho varu obmedzíte takto:

VÝSTRAHA: Kvapalina iné pokrmysa nesmú ohrievať vo vzduchotesne uzatvorených nádobách, pretože sú náchylné na explóziu. Za uzatvorené nádoby sa považujú aj detské fľaše so skrutkovacím uzáverom alebo s cumlíkom.

a) Na ohrev tekutín použite nádobu so širokým hrdlom a po ohreve ju nechajte 20 sekúnd odstáť, aby nedošlo k jej eruptívnemu varu.

b) Vajce v škrupinke, celé natvrdo uvarené vajcia, voda obsahujúca tuk alebo olej a uzatvorené sklenené nádoby sa nesmú v mikrovlnnej rúre ohrievať, pretože môžu explodovať a to aj po ukončení mikrovlnného ohrevu. Zemiaky, párky alebo gaštany musíte pred vloženíom do rúry olúpať alebo prepichnúť.

c) Mikrovlnný ohrev nápojov môže spôsobiť oneskorený var, s čím sa musí počítať pri držaní nádoby.

d) Obsah dojčenských fliaš a detskej stravy sa musí pred podávaním premiešať alebo pretrepať a musí sa skontrolovať jeho teplota pred konzumáciou, aby sa zabránilo popáleniu.

12. Po dokončení varenia sú nádoby veľmi horúce. Na ich vyberanie používajte lapky. Pozor na popáleniny tváre a rúk spôsobené kontaktom s horúcou parou.

13. Vždy pomaly nadvihujte najvzdialenejší okraj veka alebo potravinovej fólie. Vrecká s popcornom a vrecká na pečenie otvárajte v dostatočnej vzdialenosti od tváre.

14. Aby sa nerozbil otočný tanier:

a) Pred čistením nechajte otočný tanier vychladnúť.

b) Na studený otočný tanier nekladte žiadne horúce pokrmys ani nádoby.

c) Na horúci otočný tanier nekladte zmrazené potraviny alebo studené nádoby.

15. Uistite sa, že sa nádoby počas varenia nedotýkajú vnútorných stien rúry.

16. Vnútri rúry neskladujte potraviny ani iné predmety. Ak dôjde k zasiahnutiu elektrickej siete bleskom, môže dôjsť k samovolnému zapnutiu rúry.

17. Rúru nepoužívajte, pokiaľ vnútri nie sú žiadne tekutiny ani potraviny. Takto by ste mohli rúru poškodiť. Neblokujte a neupchávajte ventilačné otvory rúry.
18. Nepoužívajte príslušenstvo, ktoré nie je odporúčané výrobcom, inak sa vystavujete riziku straty záruky.
19. Používajte mikrovlnnú rúru iba v súlade s pokynmi uvedenými v tomto návode. Táto mikrovlnná rúra je určená iba na domáce použitie. Výrobca nezodpovedá za škody spôsobené nesprávnym použitím tohto spotrebiča.
20. Mikrovlnná rúra je určená na ohrev potravín a nápojov. Sušenie potravín alebo odevov a ohrev ohrievacích podušiek, domácej obuvi, umývacích húb, vlhkého textilu a podobných vecí môže viesť k nebezpečenstvu poranenia, vznieteniu alebo požiaru.
21. Tento spotrebič je určený na použitie v domácnosti a podobných priestoroch, ako sú:
 - kuchynské kúty v obchodoch, kanceláriách a ostatných pracovných prostrediach
 - spotrebiče používané v poľnohospodárstve
 - spotrebiče používané hosťami v hoteloch, motelloch a iných obytných prostrediach
 - spotrebiče používané v podnikoch zaisťujúcich nocľah s raňajkami.
22. Tento spotrebič môžu používať deti staršie ako 8 rokov a staršie a osoby so zníženými fyzickými či mentálnymi schopnosťami alebo nedostatkom skúseností a znalostí, ak sú pod dozorom alebo boli poučené o používaní spotrebiča bezpečným spôsobom a rozumejú nebezpečenstvám pri nesprávnom používaní. Deti sa so spotrebičom nesmú hrať. Čistenie a údržbu vykonávanú používateľom nesmú vykonávať deti, ak nie sú staršie ako 8 rokov a pod dozorom.

Nevystavujte sa zbytočne prílišnému mikrovlnnému žiareniu.

1. Nesnažte sa uviesť mikrovlnnú rúru do prevádzky, ak sú dvierka rúry otvorené. Môžete sa tak vystaviť škodlivému mikrovlnnému žiareniu. Nesnažte sa porušiť alebo pridržovať bezpečnostné zámky dvierok rúry.
2. Nevkladajte žiadne cudzie predmety medzi dvierka rúry. Dbajte na to, aby sa na tesnení dvierok rúry a na tesniacich plochách neusadzovala špina alebo zvyšky čistiacich prostriedkov.

3. Nesnažte sa uviesť rúru do prevádzky, ak je poškodená. Je nutné, aby dvierka rúry po uzatvorení dokonale doľahli a neboli nijako poškodené. Príklady nebezpečného poškodenia dvierok:
 - a) ZATLAČENIE dvierok rúry.
 - b) Uvoľnené alebo zlomené upevňovacie PÁNTY či POISTKY dvierok.
 - c) TESNENIE DVIEROK ALEBO TESNIACE PLOCHY ČELA RÁMU RÚRY.
Iba kvalifikovaná osoba smie mikrovlnnú rúru nastavovať alebo opravovať.
4. Ako pri väčšine prístrojov určených na pečenie je na zníženie rizika vzniku ohňa v priestore rúry nutný prísny dozor.

Ak dôjde k požiaru:

1. Neotvárajte dvere rúry.
2. Vypnite rúru a vytiahnite vidlicu zo zásuvky.
3. Vypnite hlavný vypínač rozvodu elektrického prúdu.

ČISTENIE

Uistite sa, že ste odpojili rúru od prívodu elektrickej energie vytiahnutím vidlice napájacieho prívodu zo zásuvky.

1. Použite vlhkú handričku a očistite vnútro rúry.
2. Očistite príslušenstvo obvyklým spôsobom v mydlovej vode.
3. Znečistený rám dvierok, tesnenie a susedné časti sa musia opatrne čistiť vlhkom handričkou namočenou v roztoku saponátu a potom vytrieť do sucha.

Rúra musí byť uzemnená. Vidlica napájacieho prívodu smie byť zapojená iba do zásuvky, ktorá je náležite uzemnená.

V prípade akýchkoľvek pochybností o správnosti el. inštalácie alebo pri poruchách rúry sa obráťte na kvalifikovaného elektrikára alebo servisného technika.

1. Mikrovlnná rúra je vybavená krátkym prívodným káblom, aby sa znížilo riziko úrazu zakopnutia alebo zamotania.
2. Dlhý predlžovací kábel musí spĺňať tieto požiadavky:
 - a) Z hľadiska povoleného elektrického zaťaženia musia menovité hodnoty predlžovacieho kábla a zásuvky zodpovedať menovitým hodnotám mikrovlnnej rúry.

- b) Predlžovací kábel musí byť trojžilový a vidlica aj zásuvka musia byť vybavené uzemňovacím kolíkom.
- c) Kábel musí byť dobre uschovaný, aby nevisel zbytočne cez pracovnú dosku kuchynskej linky, a aby nemohlo dôjsť k zakopnutiu alebo k vytiahnutiu kábla deťmi.

NÁSTROJE A RIAD

UPOZORNENIE

Nebezpečenstvo úrazu

Používajte iba nádoby, ktoré sú vhodné na použitie v mikrovlnných rúrach. Tesne uzatvorené nádoby môžu pri varení explodovať. Uzavreté nádoby musia byť pred varením otvorené a plastové obaly prepichnuté, pozrite Materiály, ktoré sa môžu a nemôžu použiť pri varení v mikrovlnnej rúre. Existujú niektoré nekovové materiály, ktoré sa nemôžu bezpečne používať pri varení v mikrovlnnej rúre. Ak si nie ste istí, ak je možné materiál bezpečne použiť pri varení v mikrovlnnej rúre, postupujte nasledovne:

Test kuchynského riadu:

1. Nádobu určenú na varenie v mikrovlnnej rúre naplňte studenou vodou (250 ml).
2. Varte 1 minútu pri maximálnom výkone rúry.
3. Opatrne skúste teplotu skúšaného riadu. Ak je skúšaný riad teplý, nepoužívajte ho pri varení v mikrovlnnej rúre.
4. Nevarte dlhšie než 1 minútu.

NEBEZPEČENSTVO pre deti: Deti sa nesmú hrať s obalovým materiálom. Nenechajte deti hrať sa s plastovými vrecúškami. Nebezpečenstvo udusenia.



Horúci povrch!

Materiály, ktoré môžete použiť pri varení v mikrovlnnej rúre

Riad	Poznámky
Zapekacie plechy	Riadte sa pokynmi výrobcu. Dno nádoby na pečenie musí byť aspoň 5 mm nad otočným tanierom. Nesprávne zaobchádzanie môže mať za následok prasknutie otočného taniera.

Riad	Poznámky
Taniere	Používajte iba tanieri a riad určený na použitie v mikrovlnných rúrach. Riadte sa pokynmi výrobcu. Nepoužívajte prasknuté alebo inak poškodené misy.
Sklenené poháre a džbány	Vždy odoberte tesniace viečko. Pokrm iba ohrejte. Nevarte! Väčšina sklenených džbánov a pohárov neodoláva vysokým teplotám a môže dôjsť k prasknutiu.
Sklenené zapekacie misy	Používajte iba sklenené zapekacie misy odolávajúce vysokým teplotám. Presvedčte sa, že misa nemá kovový lem alebo iný kovový doplnok. Nepoužívajte prasknuté alebo inak poškodené misy.
Zapekacie vrecká	Riadte sa pokynmi výrobcu. Neuzatvárajte kovovými sponami. Ponechajte spoj vaku pootvorený, aby horúce pary mohli voľne unikáť.
Papierové tácky	Vhodné iba na ohrievanie, alebo krátke varenie. Nenechávajte rúru bez dozoru počas varenia.
Papierové utierky	Používajte na prikrytie pokrmov a na odsatie rozpusteného tuku. Používajte iba na krátkodobé varenie. Nenechávajte bez dozoru počas varenia.
Pergamenový zapekací papier	Používajte na prikrytie pokrmov, na zabalenie pokrmov počas dusenia a ako zábranu proti postriekaniu rúry.
Plastové materiály	Používajte iba tanieri a riad určený na použitie v mikrovlnných rúrach. Riadte sa pokynmi výrobcu. Plastový materiál vhodný na použitie v mikrovlnnej rúre musí mať špecifické označenie: „Vhodný pre mikrovlnné rúry.“ Niektoré plasty mäknú v dôsledku dlhodobého pôsobenia vysokých teplôt. „Varné vrecká“ a zapekacie vaky musia byť prerezané, prepichnuté, alebo inak odvetrané, podľa návodu výrobcu pokrmu.
Plastové obalovacie fólie	Používajte iba tanieri a riad určený na použitie v mikrovlnných rúrach. Používajte na prikrývanie pokrmov a na udržanie vlhkosti pokrmu počas varenia. Dbajte na to, aby sa plastová fólia nedotýkala pripravovaného pokrmu.
Teplomery	Používajte iba teplomery vhodné na používanie v mikrovlnných rúrach. (Teplomery na mäso, pečivo a cukrovinky).
Voskovaný papier	Používajte na prikrytie pokrmov, ako zábranu proti postriekaniu rúry a na udržanie vlhkosti pokrmu počas varenia.

Materiály, ktoré sa nemôžu používať pri varení v mikrovlnnej rúre

Náčinie a riad	Poznámky
Hliníkové podnosy a plechy	Hrozí nebezpečenstvo skrútenia. Premiestnite pokrm do nádoby vhodnej na varenie v mikrovlnných rúrach.
Potravinové a kartónové škatule s kovovým držadlom	Hrozí nebezpečenstvo skrútenia. Premiestnite pokrm do nádoby vhodnej na varenie v mikrovlnných rúrach.
Kovový riad a riad s kovovými doplnkami	Kov zabraňuje prenikaniu mikrovlnnej energie. Kovový lem sa môže skrútiť.
Drôtené zatváracie krúžky	Hrozí nebezpečenstvo skrútenia a požiaru vnútri rúry.
Papierové vrecká	Môže dôjsť k vznieteniu. Hrozí nebezpečenstvo požiaru vnútri rúry.
Penové materiály	Pôsobením vysokých teplôt sa plastová pena môže rozpustiť a znehodnotiť pokrm.
Drvo	Drvo sa vysušuje a môže prasknúť počas varenia.

Používanie materiálov pri grilovaní a varení v mikrovlnnej rúre

Materiál	Mikrovlnné varenie	Grilovanie	Kombinácia
Varné sklo	Áno	Áno	Áno
Sklo obyčajné	Nie	Nie	Nie
Keramika určená na zapekanie	Áno	Áno	Áno
Plastový riad do mikrovlnnej rúry	Áno	Nie	Nie
Papier na pečenie	Áno	Nie	Nie
Kovový rošt	Nie	Áno	Nie
Kovový plech, podnos	Nie	Áno	Nie
Hliníková fólia, alobal	Nie	Áno	Nie

INŠTALÁCIA UNÁŠACIEHO TANIERA

Náboj (dolná strana)



1. Nikdy nekladte sklenený tanier dnom hore. Sklenený tanier sa musí vždy voľne otáčať.
2. Nepoužívajte rúru bez unášacieho krúžku a skleneného taniera.
3. Všetky pokrmy a nádoby s pokrmami sa musia vždy ukladať na sklenený tanier.
4. Ak dôjde k prasknutiu skleneného taniera alebo k poškodeniu unášacieho krúžku, kontaktujte najbližší autorizovaný servis.

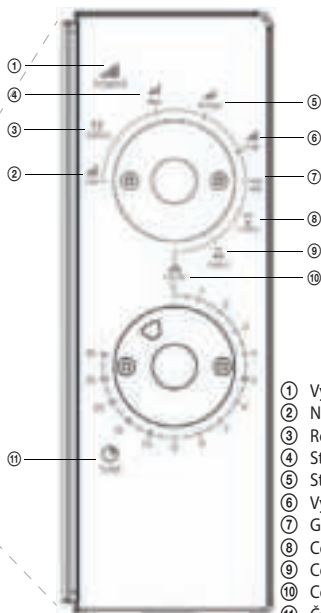
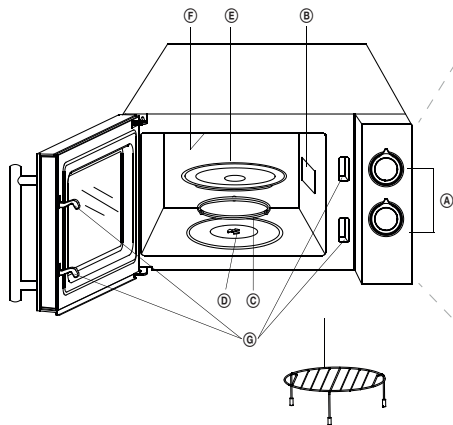
ZOSTAVENIE MIKROVLNNEJ RÚRY

Názvy častí rúry a príslušenstva

Vybalte rúru a všetko príslušenstvo.

Rúra sa dodáva s nasledujúcim príslušenstvom:

Sklenený tanier	1
Skompletizovaný unášací krúžok	1
Návod na obsluhu	1



- 1 Výkon
- 2 Nizky
- 3 Rozmrazovanie
- 4 Stredný
- 5 Str. vysoký
- 6 Vysoký
- 7 Gril
- 8 Combi. 1
- 9 Combi. 2
- 10 Combi. 3
- 11 Časovač (min)

- | | |
|---------------------------|---|
| (A) Ovládací panel | (F) Gril |
| (B) Vinovod | (G) Bezpečnostný uzamykací systém
(Vypne prívod elektrickej energie, ak
dôjde k otvoreniu dveriek počas varenia.) |
| (C) Unášací krúžok | |
| (D) Os unášacieho taniera | |
| (E) Sklenený tanier | |

INŠTALÁCIA

Odstráňte všetok baliaci materiál a vyberte všetko príslušenstvo.

Skontrolujte, či rúra nie je nejako poškodená (pretlačená alebo poškodené dverka a podobne). Neinštalujte rúru, pokiaľ je akokoľvek poškodená.

Pracovná doska kuchynskej linky

Teleso rúry: Odstráňte všetku ochrannú fóliu z povrchu rúry.

Neodstraňujte svetlohnedú fóliu, ktorá je priskrutkovaná vnútri rúry. Táto fólia chráni magnetrón rúry.

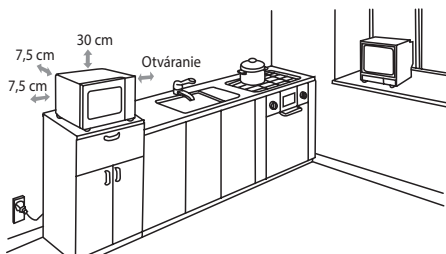
Inštalácia

1. Rúru umiestnite na rovný povrch, ktorý zaručuje dostatočne voľný priestor na správnu funkciu odvetrávacích otvorov.

Medzi rúrou a najbližšou stenou musí byť minimálna vzdialenosť 7,5 cm.

Aspoň jedna strana musí byť voľná.

- Ponechajte aspoň 30 cm voľného priestoru nad rúrou.
 - Neodstraňujte nôžky rúry.
 - Neblokujte vetracie otvory. Môže dôjsť k poškodeniu rúry.
 - Umiestnite rúru čo možno najďalej od rozhlasového a televízneho prijímača. Mikrovlnná rúra môže spôsobovať rušenie televízneho a rozhlasového TV signálu.
2. Zapojte rúru do štandardnej elektrickej siete. Uistite sa, že uvedená hodnota napätia a frekvenčný kmitočet na štítku rúry sa zhoduje s hodnotou napätia a frekvenčným kmitočtom v sieti.



UPOZORNENIE: Neinštalujte rúru nad kuchynskou varnou doskou ani v jej blízkosti alebo v blízkosti iného tepelného zariadenia. Umiestnenie rúry v blízkosti tepelného zariadenia môže mať za následok poškodenie rúry a zrušenie platnosti záruky.

Mikrovlnná rúra je určená na používanie vo voľnom priestore a nesmie sa umiestňovať do skrinky.

Počas prevádzky môže byť povrch mikrovlnnej rúry horúci.



Ovládací panel a funkcie

- Nastavte výkon rúry otočením ovládača (Power) na požadovaný stupeň.
- Dĺžku varenia nastavte otočením časovača (Time) na požadovaný interval v závislosti od pripravovaného pokrmu (max. 30 minút).
- Mikrovlnná rúra po nastavení výkonu a času automaticky spustí varenie.
- Po uplynutí nastavenej dĺžky varenia sa rúra vypne.
- Ak rúru nepoužívate, nechávajte časovač nastavený na „0“.

Poznámka: Pri voľbe času varenia kratšieho než dve minúty, otočte ovládačom ďalej nad 2 minúty a potom ho vráťte na požadovanú hodnotu.

Mikrovlnný ohrev

Pre čisto mikrovlnný ohrev je dostupných päť úrovni výkonu, ktoré dobre zodpovedajú požadovaným úlohám. Výkon rastie s otáčaním voliča doprava. Výkonové stupne sú opísané takto:

Výstupný výkon	Popis
100 %	HIGH
81%	M.HIGH
58%	MED
36%	DEFROST
18%	LOW

Grilovanie

Otáčaním gombíka v smere hodinových ručičiek, za najvyššou úrovňou výkonu mikrovlnnej rúry (pozícia GRIL ⑦), prejdete na režim grilovania, ktorý je obzvlášť užitočný pre tenké plátky mäsa, steaky, kotlety, kebab, klobásy alebo kúsky kurčáta. Tento režim je tiež vhodný na prípravu teplých sendvičov a celozrnných pokrmov.

Kombinovaný režim

Ako už názov napovedá, tento režim varenia kombinuje mikrovlnný ohrev a grilovanie. Režim je k dispozícii v troch úrovniach výkonu, ktoré kombinujú rôzne hodnoty výkonu mikrovlnného ohrevu a grilovania. Úrovne sú opísané v tabuľke nižšie. Kombinovaný režim je obzvlášť vhodný pre určité typy pokrmov. Pomáha tiež dosiahnuť chrumkavosť.

V nasledujúcej tabuľke sú opísané 3 rôzne nastavenia pre kombinovaný režim.

Program	Mikrovlnný ohrev	Grilovanie	Vhodné na
Combi. 1	30%	70%	Ryby, zemiaky, celozrnné pokrmy
Combi. 2	49%	51%	Puding, omelety, pečené zemiaky
Combi. 3	67%	33%	Hydina

ODSTRAŇOVANIE PROBLÉMOV

Bežné	
Mikrovlnná rúra ruší príjem televízie.	Mikrovlnná rúra v chode môže rušiť príjem rádia a televízora. Je to podobné rušenie malých elektrických spotrebičov ako mixér, vysávač a elektrický ventilátor.
Svetlo v rúre sa stlmí.	Pri použití nižšieho výkonu mikrovln sa môže svetlo v rúre stlmiť.
Na dvierkach sa hromadí para, z priechodov vychádza horúci vzduch.	Pri varení môže z jedla vychádzať para. Väčšina jej odíde vetracími otvormi, ale časť sa môže nahromadiť na chladnejšom mieste, akým sú dvierka. Tento jav je normálny.
Rúra bola omylom spustená prázdna.	Rúru nesmiete zapínať prázdnu. Je to veľmi nebezpečné.

Problém	Možná príčina	Náprava
Rúru nie je možné zapnúť.	(1) Prívodný kábel nie je pevne zastrčený v zásuvke.	Vytiahnite kábel zo zásuvky. Zhruba po 10 sekundách kábel znovu zastrčte do zásuvky.
	(2) Vyhorela poistka alebo vypadol istič.	Vymeňte poistku alebo zapnite istič (opravuje servisný technik z našej spoločnosti).
	(3) Problém so zásuvkou.	Skúste do zásuvky zapojiť iné elektrické zariadenie.
Rúra nehreje.	(4) Dvierka nie sú správne zatvorené.	Dobre zavrite dvierka.
Sklenený tanier vydáva zvuky, keď je mikrovlnná rúra v chode.	(5) Otočná podložka alebo dno rúry sú znečistené.	Očistite rúru podľa pokynov v kapitole „Čistenie“.

TECHNICKÉ ÚDAJE

Objem:	20 l	Menovité napätie:	230 – 240 V~ 50 Hz
Mikrovlnný výkon:	700 W	Menovitý príkon:	1 200 W
Časovač:	30 minút	Prevádzková frekvencia:	2 450 MHz
Nastavenie výkonu:	5 úrovní	Hlučnosť:	55 dB
Otočný tanier:	Ø 245 mm	Gril:	900 W
Hmotnosť:	11,3 kg		
Rozmery:	452 × 262 × 364 mm		
Rozmery vnútorného priestoru:	315 × 198 × 297 mm		

VYUŽITIE A LIKVIDÁCIA ODPADU

Baliaci papier a vlnitá lepenka – odovzdajte do zberných surovín. Prebalová fólia, PE vrecúška, plastové diely – do zberných kontajnerov na plasty.

LIKVIDÁCIA VÝROBKU PO UKONČENÍ ŽIVOTNOSTI

Likvidácia použitých elektrických a elektronických zariadení (platí v členských krajinách EÚ a ďalších európskych krajinách so zavedeným systémom triedenia odpadu)

Vyobrazený symbol na produkte alebo na obale znamená, že s produktom by sa nemalo nakladať ako s domovým odpadom. Produkt odovzdajte na miesto určené na recykláciu elektrických a elektronických zariadení. Správnu likvidáciu produktu zabránite negatívnym vplyvom na ľudské zdravie a životné prostredie. Recyklácia materiálov prispieva k ochrane prírodných zdrojov. Viac informácií o recyklácii tohto produktu vám poskytne obecný úrad, organizácia na spracovanie domového odpadu alebo predajné miesto, kde ste produkt kúpili.

Tento výrobok spĺňa požiadavky smerníc EÚ o elektromagnetickej kompatibilite a elektrickej bezpečnosti.

Návod na obsluhu je k dispozícii na webových stránkach www.ecg-electro.eu.

Zmena textu a technických parametrov vyhradená.



08/05



VARNOSTNI NAPOTKI

Pazljivo preberite in shranite za morebitno kasnejšo uporabo!

Svarilo: Varnostni ukrepi in navodila ne zajemajo vseh možnih razmer in nevarnosti, do katerih lahko pride. Uporabnik se mora zavedati, da varnostnih napotkov, kot so previdno, skrbno in razumno ravnanje ni mogoče vgraditi v izdelek. Zato mora uporabnik/uporabniki te naprave sam zagotoviti vse varnostne ukrepe. Nismo odgovorni za škodo, ki bi nastala med prevozom, zaradi nepravilne uporabe, zaradi nihanja napetosti ali zaradi spremembe ali zamenjave kateregakoli dela naprave.

Da ne bi prišlo do požara ali poškodbe zaradi udara elektrike, morate pri uporabi električnih naprav vedno upoštevati osnovna varnostna navodila, med katerimi so tudi naslednja:

1. Preverite, ali napetost na vaši vtičnici ustreza tisti, ki je navedena na ploščici vaše naprave, in ali je vtičnica pravilno ozemljena. Vtičnica mora biti inštalirana glede na veljavne elektrotehnične norme EN.
2. Pečice ne smete uporabljati, če so poškodovana vrata, če pečica ne deluje pravilno ali če je poškodovan napajalni kabel.

POZOR: Nevarno je, da katerakoli druga kot usposobljena oseba izvaja kakršnakoli popravila ali vzdrževanje, ki pomeni odstranjevanje poljubnega dela ohišja, ki zagotavlja zaščito pred sevanjem mikrovalovne energije.

Kakršnakoli popravila ali prilagajanje naprave, kamor se šteje tudi zamenjava kabla, mora izvesti strokovni servis! Pred popravilom izključite napajalni kabel iz vtičnice. Če se pokrov odstrani po priključitvi na električno omrežje, je serviser lahko izpostavljen nevarnosti električnega udara ali nevarnosti mikrovalovne energije!

3. Napravo zaščitite pred stikom z vodo ali z drugimi tekočinami, da ne bi prišlo do udara električnega toka. Električnega kabla ali vtičnice ne potaplajte v vodo!
4. Mikrovalovne pečice ne uporabljajte na odprtih kot tudi ne v vlažnih prostorih; ne dotikajte se napajalnega kabla niti same naprave z mokrimi rokami. Obstaja nevarnost električnega udara.

5. Pri uporabi pečice bodite še posebej pozorni na otroke, ki se nahajajo v bližini.
6. Mikrovalovna pečica ne sme delovati brez nadzora.
7. Priporočamo, da napajalni kabel naprave izključite iz električnega omrežja. Pred kakršnimkoli posegom prav tako izključite kabel iz električnega omrežja. Vtiča ne smete izvleči iz vtičnice z vlečenjem za kabel. Kabel izvlecite iz vtičnice tako, da ga držite za vtič.
8. Mikrovalovne pečice ne uporabljajte v bližini vira vročine, npr. kuhalne plošče štedilnika. Varujte jo pred neposrednim sončnim sevanjem.
9. Priključni kabel se ne sme dotikati vročih delov ali teči preko ostrih robov.
10. Nevarnost pred požarom v notranjosti pečice lahko preprečite na naslednji način:
 - a) Jedi ne pecite preveč.
 - b) Preden daste v pečico papirnate ali plastične vrečke, odstranite iz njih sponke.
 - c) Ne segrevajte olja ali masti za kuhanje v pečici, saj temperature olja ni mogoče nadzorovati. V pečici ne cvrite hrane. Vroče olje lahko poškoduje dele pečice in posodo ter povzroči opekline.
 - d) Po uporabi obrišite s krpico, namočeno v raztopino detergenta, vrata, tesnilo vrat in notranji prostor pečice ter posušite. S tem boste odstranili vse umazanije, maščobo in morebitne preostanke hrane.

POZOR: Če pride do poškodbe vrat oziroma tesnila, pečice ne smete uporabljati, dokler je ne popravi usposobljena oseba. Pečico je treba pravilno čistiti in odstranjevati morebitne ostanke jedi. Umazana pečica lahko povzroči poškodbe površine, ki lahko negativno vplivajo na življenjsko dobo aparata in povzročijo nastanek nevarne situacije. Nakopičena maščoba bi se lahko pregrela in posledično bi lahko nastal požar.

Za čiščenje ne uporabljajte abrazivnih sredstev.

Aparata ne smete čistiti s parnim čistilnikom.

- e) V primeru, da bi se začelo iz pripravljene hrane znotraj pečice kaditi ali pa bi le-ta zagorela, pustite vrata pečice zaprta, pečico ugasnite in potegnite ven vtič električnega kabla, da preprečite širjenje morebitnega ognja.

- f) V primeru uporabe posod za enkratno uporabo iz plastike, papirja ali drugih vnetljivih materialov pečica ne sme biti brez nadzora, da ne pride do vnetja.
11. Nevarnost eksplozije in nenadnega vretja preprečite na sledeč način:
POZOR: Tekočine in druge jedi ne smete segreti v nepredušno zaprtih posodah, ker so nagnjene k eksploziji. Z zaprtimi posodami mislimo tudi na otroške stekleničke s pokrovčkom ali dudo.
- a) Za pogrevanje tekočin uporabljajte posode s širokimi odprtini in jih po končanem segrevanju pustite stati 20 sekund, da ne bi prišlo do eruptivnega vrenja.
 - b) Jajca v lupini, trdo kuhana jajca, voda, ki vsebuje maščobo ali olje in zaprte steklene posode se ne smejo pogrevati v mikrovalovni pečici, ker lahko eksplodirajo, in sicer tudi po koncu mikrovalovnega segrevanja. Krompir, klobase in kostanj morate, preden jih postavite v pečico, prerezati ali prebosti.
 - c) Mikrovalovno segrevanje pijač lahko povzroči zapoznelo vretje, kar je treba upoštevati pri držanju posode.
 - d) Vsebino otroških stekleničk in otroške hrane je treba pred postrežbo premešati ali pretresti ter pred konzumacijo preveriti temperaturo za preprečitev opeklin.
12. Po končanem segrevanju v mikrovalovni pečici je posoda zelo vroča. Pri jemanju posode iz pečice uporabljajte rokavice. Pazite, da pri stiku z vročo paro ne pride do opeklin obraza ali rok.
13. Ko odpirate pokrov ali odstranjujete folijo z embalaže, to počnite vedno v nasprotni smeri in proč od sebe. Vrečke s kokicami in vrečke za peko odpirajte na varni oddaljenosti od obraza.
14. Da bi vrtljivi krožnik zaščitili pred razbitjem:
- a) Pustite, da se vrtljivi pladenj ohladi, preden ga boste očistili.
 - b) Na hladni vrtljivi pladenj ne postavljajte vroče hrane ali posode.
 - c) Na hladni vrtljivi pladenj ne postavljajte zamrznjene hrane ali hladne posode.
15. Prepričajte se, da se med delovanjem noben predmet ne dotika notranje stene pečice.

16. Znotraj pečice ne skladiščite hrane in drugih predmetov. Če pride do udara električnega omrežja zaradi strele, se lahko pečica samodejno prižge.
17. Pečice ne uporabljajte, kadar v njej ni nobene hrane ali tekočine. Zaradi tega se lahko pokvari. Ne zapirajte niti ne pokrivajte odprtih za prezračevanje pečice.
18. Ne uporabljajte pripomočkov, ki jih ne priporoča proizvajalec. V nasprotnem primeru tvegate izgubo pravice do uveljavitve garancije.
19. Mikrovalovno pečico uporabljajte samo na način, predpisan v teh navodilih. Mikrovalovna pečica je namenjena samo za hišno uporabo. Proizvajalec ne odgovarja za škodo, ki bi nastala zaradi nepravilne uporabe te naprave.
20. Mikrovalovna pečica je namenjena segrevanju živil in pijače. Sušenje hrane ali oblačil in pogrevanje grelnih blazin, domače obutve, pralnih gob, vlažnih tkanin in podobnih stvari lahko povzroči telesne poškodbe, vžig ali požar.
21. Ta izdelek je namenjen uporabi v gospodinjstvu in v podobnih prostorih kot so:
 - kuhinje v podjetjih, pisarnah in drugem podobnem delovnem okolju;
 - aparati, ki se uporabljajo v kmetijstvu;
 - aparati, ki jih gostje uporabljajo v hotelih, motelih in v drugem bivalnem okolju;
 - aparati, ki se uporabljajo v objektih, ki ponujajo nočitev z zajtrkom.
22. Otroci, starejši od 8 let in več, osebe z zmanjšano fizično ali umsko sposobnostjo ali osebe, ki nimajo dovolj izkušenj, lahko uporabljajo to napravo samo pod nadzorom, ali če jih je izkušena oseba podučila o varni uporabi in razumejo nevarnost povezane zaradi nepravilne uporabe. Otroci se ne smejo igrati s to napravo. Čiščenja in vzdrževanja, ki ga izvajajo uporabniki, ne smejo izvajati otroci, razen v starosti 8 let ali več, ki so pod nadzorom starejših oseb.

Ne izpostavljajte se po nepotrebem pretiranim količinam mikrovalovnih žarkov

1. Ne poskušajte vključiti pečice, ki ima vrata odprta. S tem se lahko izpostavite mikrovalovnim žarkom. Nikoli ne poškodujte in ne držite varnostnih ključavnic vrat pečice.
2. V vrata pečice ne dajajte nobenih tujkov. Preverite, ali so tesnila na vratih pečice in površina ob njih čista in da ni ostankov čistilnih sredstev.

3. Ne poskušajte vklopiti nedelujoče pečice. Vrata pečice morajo biti po zaprtju popolnoma zatesnjena in ne smejo biti poškodovana.
Primeri nevarnih poškodb vrat:
 - a) Vrata pečice so UKRIVLJENA.
 - b) TEČAJI in ZAPAHI na vratih niso dovolj dobro pričvrščeni.
 - c) VRATNA TESNILA IN TESNILNE POVRŠINE NA OHIŠJU so poškodovane.Pečico lahko popravlja in servisira samo za to usposobljena oseba.
4. Kot pri večini drugih izdelkov, namenjenih za peko, je potreben nenehen nadzor, da ne bi prišlo do požara.

V primeru požara:

1. Ne odpirajte vrat pečice.
2. Izključite pečico in iz vtičnice izključite napajalni kabel.
3. Izklopite glavno stikalo razdelilnika električne energije.

ČIŠČENJE

Prepričajte se, da ste pečico izključili iz dovoda el. energije tako, da ste iz vtičnice potegnili vtikalno el. kablo.

1. Uporabite vlažno krpicico in očistite notranjost pečice.
2. Pritikline očistite na običajen način v milni raztopini.
3. Umazan okvir vrat, tesnila in sosednji deli se morajo temeljito očistiti z vlažno krpo, namočeno v raztopini detergenta, in nato suho obrisati.

Pečica mora biti ozemljena. Vtikalno električnega kabla je lahko vključeno le v vtičnico, ki je pravilno ozemljena.

V primeru kakršnih koli dvomov glede pravilnosti el. inštalacije ali pri okvarah kontaktirajte kvalificiranega električarja ali servisnega tehnika.

1. Mikrovalovna pečica je opremljena s kratkim el. kablom, da se zmanjša tveganje poškodbe zaradi spotikanja ali zapletanja.
2. Dolg podaljševalni kabel mora izpolnjevati naslednje zahteve:
 - a) Z vidika dovoljene električne obremenitve morajo biti nominalne vrednosti podaljševalnega kabla in vtičnice v skladu z nominalnimi vrednostmi mikrovalovne pečice.
 - b) Podaljševalni kabel mora biti trižilni, vtič in vtičnica pa morata imeti ozemljitveni zatič.

- c) Kabel mora biti dobro pospravljen, to pomeni, da ne visi preko delovne plošče kuhinjskega pulta in da se nihče ne more spotakniti in otroci ne morejo izvleči kabla.

POSODA IN KROŽNIKI

OPOZORILO

Nevarnost poškodb

Uporabljajte le posode, ki so primerne za uporabo v mikrovalovnih pečicah. Močno zaprte posode lahko pri kuhanju eksplodirajo. Zaprte posode se morajo pred kuhanjem odpreti in plastična embalaža preluknjati, glej Materiali, ki se lahko in se ne smejo uporabljati v mikrovalovni pečici. Obstajajo nekateri nekovinski materiali, ki se ne morejo varno uporabljati pri kuhanju v mikrovalovni pečici. Če ste v dvomih, ali se lahko material varno uporabi v mikrovalovni pečici, ravnajte sledeče:

Test kuhinjske posode:

1. Posodo, namenjeno za kuhanje v mikrovalovni pečici, napolnite z mrzlo vodo (250 ml).
2. Kuhajte 1 minuto na maksimalni moči pečice.
3. Pazljivo preizkusite temperaturo preizkušene posode. Če je preizkušena posoda topla, je ne uporabljajte za kuhanje v mikrovalovni pečici.
4. Ne kuhajte več kot 1 minuto.

NEVARNOST za otroke: Otroci se ne smejo igrati z embalažnim materialom. Ne dovolite, da bi se otroci igrali s plastičnimi vrečkami. Nevarnost zadušitve.



Vroča površina!

Materiali, ki jih lahko uporabljate za kuhanje v mikrovalovni pečici

Posoda	Opombi
Pekači za pečenje	Upoštevajte napotke proizvajalca. Dno posode za pečenje mora biti vsaj 5 mm na vrtljivim krožnikom. Nеправilna uporaba lahko povzroči, da vrtljiv krožnik počne.
Krožniki	Uporabljajte samo krožnike in posodo, ki je primerna za uporabo v mikrovalovnih pečicah. Upoštevajte napotke proizvajalca. Ne uporabljajte počenih ali poškodovanih skled.

Posoda	Opombi
Steklene steklenice in vrči	Vedno odstranite tesnilni zamašek. Hrano le pogrejte. Ne kuhajte! Večina steklenih vrčev in steklenic ni odporna na visoke temperature in lahko počijo.
Steklena posode za pečenje	Uporabljajte le steklene pečene posode, ki so odporne proti visokim temperaturam. Prepričajte se, da posoda nima kovinskega robu ali kakšen drug kovinski del. Ne uporabljajte počenih ali poškodovanih skled.
Vrečke za peko	Upoštevajte napotke proizvajalca. Ne zapirajte s kovinskimi sponkami. Pustite spoje vreče na rahlo odprte, da lahko vroča para prosto uhaja.
Papirnati krožniki	Primerni la za pogrevanje ali kratko kuhanje. Pečice med kuhanjem ne puščajte brez nadzora.
Papirnate brisače	Uporabljajte le za prekrivanje hrane in vpijanje odvečne maščobe. Uporabljajte le za krajše kuhanje. Med kuhanjem ne puščajte brez nadzora.
Peki papir	Uporabljajte za prekrivanje hrane, za ovijanje hrane med dušenjem ali pa kot zaščito pred brizganjem po pečici.
Plastični materiali	Uporabljajte samo krožnike in posodo, ki je primerna za uporabo v mikrovalovnih pečicah. Upoštevajte napotke proizvajalca. Plastični materiali primerni za uporabo v mikrovalovni pečici morajo imeti specifične oznake: »Primerno za mikrovalovne pečice.« Nekaterе plastike se zmeščajo zaradi dolgotrajnega delovanja visokih temperatur. »Vrečke za kuhanje« in vrečke za peko morajo biti prerezane, preluknjane ali kako drugače zračene, odvisno od navodil proizvajalca.
Plastične embalažne folije	Uporabljajte samo krožnike in posodo, ki je primerna za uporabo v mikrovalovnih pečicah. Uporabljajte za prekrivanje hrane in za ohranjanje vlage hrane med kuhanjem. Pazite na to, da se plastična folija ne dotika pripravljene hrane.
Termometri	Uporabljajte le termometre primerne za uporabo v mikrovalovnih pečicah. (Termometri za meso, kruh in slaščice).
Povoščен papir	Uporabljajte za prekrivanje hrane, kot zaščito pred brizganjem po pečici in za ohranjanje vlage hrane med kuhanjem.

Materiali, ki se ne smejo uporabljati pri kuhanju v mikrovalovni pečici

Posoda in krožniki	Opombi
Aluminijasti krožniki in pekači	Nevarnost deformacije. Prestavite hrano v posodo, ki je primerna za kuhanje v mikrovalovnih pečicah.
Prehrambene in kartonske škatle s kovinskim ročajem	Nevarnost deformacije. Prestavite hrano v posodo, ki je primerna za kuhanje v mikrovalovnih pečicah.
Kovinska posoda in posoda s kovinskimi dodatki	Kovina preprečuje prodiranje mikrovalovne energije. Kovinski okvir se lahko deformira.
Žičnati zapiralni obročki	Nevarnost deformacije in požara znotraj pečice.
Papirnate vrečke	Lahko pride do vžiga. Nevarnost požara znotraj pečice.
Penasti materiali	Zaradi visokih temperatur se lahko plastična pena raztali in razrednoti hrano.
Les	Les se suši in lahko počni med kuhanjem.

Uporaba materialov pri peki na žaru in kuhanju v mikrovalovni pečici

Material	Mikrovalovno kuhanje	Pečenje na žaru	Kombinacija
Steklo za kuhanje	Da	Da	Da
Običajno steklo	Ne	Ne	Ne
Keramika, namenjena peki	Da	Da	Da
Plastične posode za mikrovalovno pečico	Da	Ne	Ne
Papir za peko	Da	Ne	Ne
Kovinska rešetka	Ne	Da	Ne
Kovinski pekač, podstavek	Ne	Da	Ne
Aluminijasta folija – alufolija	Ne	Da	Ne

INŠTALACIJA VRTLJIVEGA KROŽNIKA

Naboj (spodnja stran)



1. Nikoli ne polagajte krožnika z dnom navzgor. Stekleni krožnik se mora nenehno prosto obračati.
2. Ne uporabljajte pečice brez vrtljivega obroča in steklenega krožnika.
3. Vsa hrano in posoda s hrano se mora vedno položiti na steklen krožnik.
4. Če pride do počenja steklenega krožnika ali do poškodbe vrtljivega obroča, kontaktirajte najbližji pooblaščen servis.

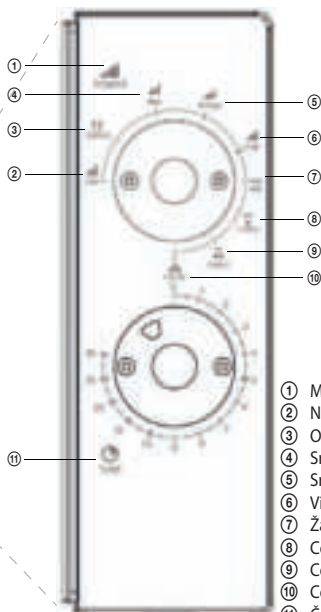
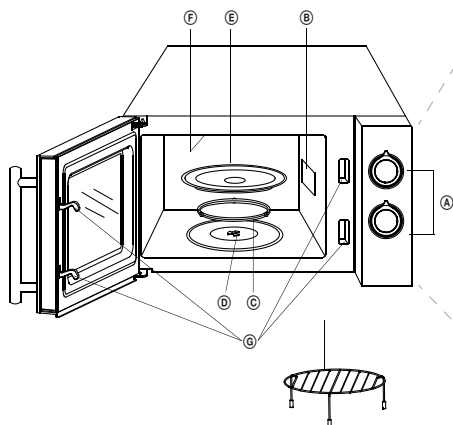
SESTAVLJANJE MIKROVALOVNE PEČICE

Nazivi sestavnih delov pečice in pritiklin

Razpakirajte pečico in vse pritikline.

Pečica se dobavlja z naslednjimi pritiklinami:

Stekleni pladenj	1
Vrtljivi obroč	1
Navodila za uporabo	1



- 1 Moč
- 2 Nizka
- 3 Odmrzovanje
- 4 Srednja
- 5 Sr. visoka
- 6 Visoka
- 7 Žar
- 8 Combi. 1
- 9 Combi. 2
- 10 Časovnik. 3
- 11 Časovnik (min)

- A Kontrolna plošča
- B Valovod
- C Nosilni obroč
- D Os nosilnega krožnika
- E Stekleni krožnik

- F Žar
- G Varnostni sistem zaklepanja
(izklopi dovod električne energije, če pride med kuhanjem do odprtja vratc.)

INŠTALACIJA

Odstranite ves embalažni material in vzemite ven vse pritikline.

Preverite ali pečica ni kakor koli poškodovana (zmečkana ali poškodovana vrata in podobno). Pečice ne inštalirajte, če je kakor koli poškodovana.

Delovna plošča kuhinjskega pulta

Ohišje pečice: Odstranite vso zaščitno folijo iz površine ohišja.

Ne odstranjujte svetlo rjave folije, ki je pritrjena znotraj pečice. Ta folija ščiti magnetron pečice.

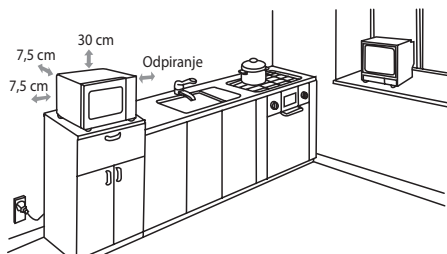
Inštalacija

1. Pečico namestite na ravno površino, ki zagotavlja dovolj prostega prostora za pravilno funkcijo prežračevalnih odprtin.

Med pečico in najbližjo steno mora razdalja znašati minimalno 7,5 cm.

Vsaj ena od strani mora biti prosta.

- Pustite vsaj 30 cm prostega prostora nad pečico.
 - Ne odstranjujte nogic pečice.
 - Ne blokirajte prežračevalnih odprtin. Lahko pride do poškodbe pečice.
 - Namestite pečico kar najdlje od radijskega in televizijskega sprejemnika. Mikrovalovna pečica lahko povzroči motnje televizijskega in radijskega TV signala.
2. Priključite pečico v standardno električno omrežje. Prepričajte se, da sta navedena vrednost napetosti in frekvenca na tipski tablici pečice v skladu z vrednostjo napetosti in frekvenco v omrežju.



OPAZILO: Ne inštalirajte pečice nad kuhinjsko kuhalno ploščo niti v njeno bližino ali v bližino drugega aparata, ki oddaja vročino. Namestitev pečice v bližino aparata, ki oddaja vročino, ima lahko za posledico poškodbo pečice in prenehanje veljavnosti garancije.

Mikrovalovna pečica je namenjena za uporabo v prostem prostoru in se ne sme nameščati v omaro.

Med delovanjem je lahko površina mikrovalovne pečice vroča.



Upravljalna plošča in funkcije

- Moč pečice nastavite z vrtenjem upravljavca (Power) na zeleno stopnjo.
- Dolžino kuhanja nastavite tako, da zavrtite časovnik (Time) na zeleni interval glede na hrano, ki jo pripravljate (maks. 30 minut).
- Mikrovalovna pečica po nastavitvi moči in časa začne samodejno kuhati.
- Ko preteče čas nastavljen za dolžino kuhanja, se pečica izklopi.
- Če pečice ne uporabljate, naj bo časomerilec nastavljen na „0“.

Opomba: Pri izbiri časa kuhanja za manj kot dve minuti, najprej zavrtite upravljavec na več kot 2 minuti in ga nato vrnite na zeleno vrednost.

Mikrovalovno segrevanje

Za čisto mikrovalovno segrevanje je na voljo pet stopenj moči, ki ustrezajo zelenim namenom. Moč raste z vrtenjem izbirnega gumba v desno. Stopnje moči so opisane tako:

Izhodna moč	Opis
100 %	HIGH
81 %	M.HIGH
58 %	MED
36 %	DEFROST
18 %	LOW

Pečenje na žaru

Z vrtenjem gumba v smeri urnega kazalca ob nastavljeni najvišji stopnji moči mikrovalovne pečice (položaj GRIL ⑦) preidete v način pečenja na žaru, ki je še posebej uporaben za tanke rezine mesa, steake, kotlece, kebab, klobase ali kose piščanca. Ta način je primeren tudi za pripravo toplih sendvičev in polnozrnatih jedi.

Kombinirani način

Kot sporoča že ime, ta način kuhanja kombinira mikrovalovno segrevanje in žar. Način je na voljo v treh stopnjah moči, ki kombinirajo različne vrednosti moči mikrovalovnega segrevanja in peke na žaru. Stopnje so opisane v spodnji tabeli. Kombinirani način je še posebej primeren za določene tipe jedi. Pomaga tudi doseči hrustljivost.

V naslednji tabeli so opisane 3 različne nastavitve za kombinirani način.

Program	Mikrovalovno segrevanje	Pečenje na žaru	Primereno za
Combi. 1	30%	70%	Ribe, krompir, polnozrnatje jedi
Combi. 2	49%	51%	Puding, omelete, pečen krompir
Combi. 3	67%	33%	Perutnina

ODPRAVLJANJE TEŽAV

Pogoste težave	
Mikrovalovna pečica moti TV sprejemnik.	Mikrovalovna pečica lahko med delovanjem moti sprejem radia in televizije. Le-to je podobno motenju manjših elektronskih aparatov kot so mešalnik, sesalnik in elektronski ventilator.
Luč v pečici oslabi.	V primeru uporabe manjše moči lahko luč v pečici oslabi.
Na vratih se kopiči para, iz zračnih odprtin prihaja vroč zrak.	Pri kuhanju gre lahko iz hrane para. Večina jo gre skozi prezačevalne odprtine, vendar pa se lahko del nakopiči na bolj hladnem mestu, kot so vrata. Ta pojav je normalen.
Pečica je pomotoma vklopljena prazna.	Pečice ne smete prižigati prazne. To je zelo nevarno.

Težava	Možen razlog	Rešitev
Pečice ni mogoče prižgati.	(1) Električni kabel ni fiksno pritrjen v vtičnici.	Potegnite kabel iz vtičnice. Približno po 10 sekundah kabel ponovno porinite v vtičnico.
	(2) Izgorela varovalka ali izpad hišne varovalke.	Zamenjajte ali prižgite varovalko (popravlja servisni tehnik iz našega podjetja).
	(3) Problem z vtičnico.	Poizkusite v vtičnico vključiti drug elektronski aparat/napravo.
Pečica ne greje.	(4) Vrata niso pravilno zaprta.	Dobro zaprite vrata.
Steklen krožnik je glasen, ko mikrovalovna pečica deluje.	(5) Vrtljiva podloga ali do pečice sta umazana.	Pečico očistite glede na napotke v poglavju „Čiščenje“.

TEHNIČNI PODATKI

Prostornina:	20 l	Nazivna napetost:	230–240 V~ 50 Hz
Mikrovalovna moč:	700 W	Nazivna moč:	1.200 W
Časovnik:	30 minut	Delovna frekvenca:	2.450 MHz
Nastavitev moči:	5 nivojev	Hrup:	55 dB
Vrtljivi krožnik:	Ø 245 mm	Žar:	900 W
Teža:	11,3 kg		
Dimenzije:	452 × 262 × 364 mm		
Dimenzije notranjosti:	315 × 198 × 297 mm		

IZKORIŠČANJE IN ODSTRANITEV ODPADKOV

Embalažni papir in karton – odstranite med ločevalne odpadke. Folija, PE vrečke, plastični deli – v ločevalne posode za plastiko.

ODSTRANJEVANJE IZDELKA NA KONCU ŽIVLJENJSKE DOBE

Odstranjanje starih električnih in elektronskih naprav (velja v državah članicah EU in drugih evropskih državah, kjer velja zakon o ločevanju odpadkov)

Prikazan simbol na izdelku ali embalaži pomeni, da naj se z izdelkom ne ravna kot z gospodinjskimi odpadki. Izdelek izročite v zbirno mesto namenjeno za reciklažo električnih in elektronskih naprav. S pravilno odstranitvijo izdelka preprečite negativne vplive na človeško zdravje in življenjsko okolje. Reciklaža materialov pripomore k zaščiti naravnih virov. Več informacij glede reciklaže tega izdelka dobite na lokalnem uradu, podjetju, ki se ukvarja s predelavo odpadkov ali pa v prodajalni, kjer kupili izdelek.

Ta izdelek izpolnjuje zahteve direktive EU o elektromagnetni združljivosti in električni varnosti.

Navodila za uporabo so na razpolago na spletnih straneh www.ecg-electro.eu.

Pridružujemo si pravico do spremembe besedila in tehničnih parametrov.



08/05



SIGURNOSNA UPUTSTVA

Pročitajte pažljivo i sačuvajte za buduću upotrebu!

Pažnja: Mere predostrožnosti i uputstva ne pokrivaju sve moguće situacije i opasnosti do kojih može doći. Korisnik treba da bude svestan da faktore bezbednosti kao što su oprezno, pažljivo i razumno rukovanje nije moguće ugraditi u proizvod. Stoga sâm korisnik ovog uređaja treba da osigura prisutnost tih bezbednosnih faktora. Nismo odgovorni ni za kakvu štetu koja se desi tokom prevoza, nepravilnim korišćenjem, kolebanjem napona, modifikovanjem ili zamenom bilo kog dela uređaja.

Da ne bi došlo do požara ili povrede od udara električne struje, prilikom upotrebe električnih uređaja uvek treba poštovati osnovna bezbednosna uputstva, među kojima su i sledeća:

1. Proverite da li napon struje u vašoj utičnici odgovara onom koji je naveden na oznaci vašeg uređaja i da li je utičnica pravilno uzemljena. Utičnica mora biti ugrađena prema zahtevima elektrotehničkih standarda zemlje u kojoj se uređaj koristi.
2. Rernu nikada nemojte koristiti ako su joj oštećena vrata, ako ne radi ispravno, ili je kabl za napajanje oštećen.

PAŽNJA: Ako bilo ko osim obučene osobe obavlja bilo kakve popravke ili održavanja, uklanjanje poklopcu koji pruža zaštitu od mikrotalasnog zračenja predstavlja veliku opasnost.

Bilo kakva popravka, što se odnosi i na zamenu kabla, mora biti poverena stručnom servisu! Pre popravke kabl za napajanje mora se isključiti iz mreže. Ako se poklopac demontira, nakon spajanja na električnu mrežu može doći do izlaganja servisera opasnosti od strujnog udara ili energije mikrotalasa!

3. Uređaj zaštitite od dodira sa vodom ili drugim tečnostima da ne bi došlo do električnog udara. Ne potapajte ni kabl za napajanje ni utičnicu u vodu!
4. Mikrotalasnu rernu nemojte koristiti na otvorenom, kao ni u vlažnim prostorima; ne dodirujte kabl za napajanje niti uređaj mokrim rukama. Postoji opasnost od električnog udara.
5. Budite posebno pažljivi ako se deca nalaze u blizini dok koristite rernu.
6. Mikrotalasna rerna ne sme biti ostavljena da radi bez nadzora.

7. Preporučujemo da rernu ne ostavljate s napojnim kablom uključenim u struju. Pre bilo kakvog zahvata na održavanju, isključite napajanje iz mreže. Utikač ne izvlačite iz utičnice povlačenjem za kabl. Kabl odvojte od mreže tako što ćete uhvatiti za utikač i izvući ga.
8. Mikrotalasnu rernu nemojte koristiti u blizini izvora toplote, kao što su to grejalice ili peći na drva. Držite je dalje od direktne sunčeve svetlosti.
9. Kabl se mora pružati tako da ne dolazi u dodir s vrućim predmetima i ne prolazi duž oštih ivica.
10. Opasnost od nastanka požara u unutrašnjosti rerne možete sprečiti ovako:
 - a) Nemojte previše peći jela.
 - b) Pre nego što papirnu ili plastičnu ambalažu stavite u rernu, izvadite iz nje sve metalne spajalice i druge komade od metala.
 - c) Ne zagrevajte ulje ili mast za kuvanje u rerni, jer se temperatura ulja ne može kontrolisati. Nemojte pržiti hranu u rerni. Vruće ulje može oštetiti delove rerne i sudove, te uzrokovati opekotine.
 - d) Nakon korišćenja prebrišite vrata, zaptivač vrata i unutrašnji prostor rerne koristeći krpu navlaženu rastvorom deterdženta, a zatim posušite brisanjem. Tako ćete ukloniti nečistoće i masnoću, kao i moguće ostatke hrane.

PAŽNJA: Ako su vrata ili zaptivač oštećeni, rernu ne smete koristiti sve dok je ne popravi osoba kvalifikovana za to. Rernu je obavezno dobro očistiti i ukloniti sve eventualne ostatke hrane. Neodržavanje čistoće rerne može dovesti do oštećenja površine koje bi moglo nepovoljno uticati na životni ciklus aparata i dovesti do opasnih situacija. Naslage masnoće mogu se pregrejati, što bi moglo dovesti do nastanka dima ili do požara.

Za čišćenje nemojte koristiti abrazivna sredstva.

Zabranjeno je uređaj čistiti aparatom za čišćenje vodenom parom.

- e) Ako tokom pripreme hrana u rerni počne da se dimi ili dođe do gorenja, otvorite vrata rerne, isključite rernu i izvucite kabl za napajanje iz utičnice kako bi se onemogućilo dalje širenje požara.
- f) U slučaju da koristite posude za jednokratnu upotrebu izrađene od plastike, papira ili drugih zapaljivih materijala, ne smete ostaviti rernu bez nadzora da ne bi došlo do oštećenja.

11. Opasnost od eksplozije i iznenadnog vrenja uklonićete ovako:
PAŽNJA: Tečnosti i druge namirnice ne smeju se zagrevati u hermetički zatvorenim posudama jer može doći do eksplozije. Pod zatvorenim posudama podrazumevamo i dečje flašice i cucle.
- a) Za zagrevanje tečnosti koristite posude sa širokim otvorom i nakon zagrevanja ih ostavite da stoje 20 sekundi kako ne bi došlo do eruptivnog vrenja.
 - b) U mikrotalasnoj rerni ne smeju da se kuvaju jaja, tvrdo kuvana jaja, voda koja sadrži masnoće i ulja, ni da se koriste zatvorene staklene posude, zbog toga što bi moglo doći do njihove eksplozije, čak i nakon što zagrevanje mikrotalasima prestane. Krompire, kobasice i kestene morate pre pečenja u rerni oguliti ili im probiti koru.
 - c) Mikrotalaso zagrevanje napitaka može dovesti do eruptivnog vrenja i to se mora uzeti u obzir prilikom držanja posuda.
 - d) Sadržaj flašica za hranjenje i dečju hranu pre posluživanja treba mešati ili protresti i treba proveriti temperaturu pre upotrebe kako bi se izbegle opekotine.
12. Nakon zagrevanja u mikrotalasnoj rerni, posude su vrlo vruće. Koristite rukavice pri vađenju. Pazite da ne dođe do opekotina lica i ruku pri kontaktu s vrućom parom.
13. Kada otvarate poklopac ili skidate foliju sa ambalaže, počinjite od kraja koji je najudaljeniji od vas. Kesice s kobicama i kesice za pečenje otvarajte na sigurnoj udaljenosti od lica.
14. Kako da rotacioni tanjir zaštitite od razbijanja:
- a) Pustite rotacioni tanjir da se ohladi pre nego što počnete da ga čistite.
 - b) Nemojte na hladan rotacioni tanjir stavljati nikakvu vruću hranu ili posude.
 - c) Nemojte na vruć rotacioni tanjir stavljati nikakvu zamrznutu hranu ili hladne posude.
15. Uverite se da sudovi u rerni za vreme zagrevanja ne dodiruju strane rerne.
16. Rernu nemojte koristiti za čuvanje hrane niti drugih predmeta. Ako dođe do udara groma u električnu mrežu, rerna se može sama uključiti.

17. Rernu nemojte koristiti kada u njoj nema nikakve tečnosti niti namirnica. To bi je moglo oštetiti. Nemojte zatvarati ni prigušivati otvor za ventilaciju rerne.
18. Nemojte koristiti pribor koji nije preporučio proizvođač. U suprotnom, izgubićete prava na garanciju.
19. Mikrotalasnu rernu koristite samo na način propisan ovim uputstvom. Mikrotalasna rerna je namenjena samo za kućnu upotrebu. Proizvođač nije odgovoran za štetu koja može nastati nepravilnim korišćenjem ovog uređaja.
20. Mikrotalasna rerna projektovana je za zagrevanje hrane i pića. Nije dopušteno sušenje hrane ili odeće, zagrevanje termofora, papuča, sundera za kupanje, vlažne tkanine i sličnih predmeta zato što to može dovesti do opasnosti od povreda, oštećenja ili požara.
21. Ovaj proizvod namenjen je za korišćenje u domaćinstvu i sličnim prostorima kao što su:
 - kuhinje u fabrikama, kancelarijama i u drugim sličnim radnim okruženjima
 - uređaji koji se koriste u poljoprivredi
 - prostorije koje su na raspolaganju gostima hotela, motela i drugih smeštajnih objekata
 - prostorije koje se koriste u objektima koji nude noćenje s doručkom.
22. Deca starosti od 8 godina i više, osobe smanjenih fizičkih ili mentalnih sposobnosti i osobe s nedostatkom iskustva smeju da koriste ovaj uređaj samo ako su pod nadzorom ili ako ih je iskusnija osoba uputila u bezbedno korišćenje i razumeju sve opasnosti povezane s tim korišćenjem. Deca se ne smeju igrati ovim uređajem. Poslove čišćenja i održavanja koje obavlja korisnik ne smeju da obavljaju deca, osim ako su starija od 8 godina i pod nadzorom.

Ne izlažite se nepotrebno preteranim količinama mikrotalasnog zračenja

1. Nemojte pokušavati da uključite rernu na kojoj su vrata otvorena. Tako biste se mogli izložiti mikrotalasnim zračenjima. Ne pokušavajte da oštetite ili onemogućite sigurnosnu bravicu vrata.

2. U vrata rerne ne stavljajte nijedan strani predmet. Proverite da li su zaptivač vrata rerne i površina na koju on naleže čisti i da nema ostataka sredstva za čišćenje.
3. Nemojte pokušavati da uključite neispravnu rernu. Nužno je da vrata rerne nakon zatvaranja potpuno prijanjaju i da nisu oštećena.
Primeri opasnih oštećenja vrata:
 - a) ULUBLJENA vrata rerne.
 - b) Nedovoljno zategnute ŠARKE i OSOVINE šarki vrata.
 - c) NERAVAN ZAPTIVAČ VRATA ILI POVRŠINA VRATA NA KOJU DOLAZI ZAPTIVAČ.
Mikrotalasnu rernu sme da popravlja ili servisira samo kvalifikovani tehničar.
4. Kao i kod većine drugih proizvoda koji služe za pečenje, potreban je stalni nadzor kako ne bi došlo do požara.

Dođe li do požara:

1. Ne otvarajte vrata rerne.
2. Isključite rernu i isključite kabl za napajanje iz utičnice.
3. Isključite glavni prekidač vaše strujne instalacije.

ČIŠĆENJE

Izvucite utikač kabla napajanja iz utičnice da biste bili sigurni da je rerna isključena iz struje.

1. Vlažnom krpom očistite unutrašnjost rerne.
2. Pribor očistite u sapunici, na uobičajen način.
3. Zaprljani okvir vrata, zaptivač i susedni delovi moraju se pažljivo očistiti vlažnom krpom natopljenom u rastvoru deterdženta, a zatim osušiti suvom krpom.

Rerna mora biti uzemljena. Kabl za napajanje mora biti priključen isključivo u utičnicu koja je ispravno uzemljena.

U slučaju bilo koje greške ili neispravnosti električne instalacije ili nepravilnog rada rerne, javite se kvalifikovanom električaru ili ovlašćenom serviseru.

1. Mikrotalasna rerna je opremljena kratkim kablom za napajanje da bi se smanjila mogućnost spoticanja ili zapetljavanja.
2. Dugi produžni kabl mora ispunjavati sledeće uslove:

- a) Kapacitet kabla i utičnice mora biti najmanje jednak nominalnim veličinama mikrotalasne rerne.
- b) Produžni kabl mora biti trožilni, a utikač i utičnica moraju imati uzemljenje.
- c) Kabl mora biti dobro pričvršćen da ne bi nepotrebno visio preko kuhinjske radne ploče i da deca ne bi mogla pasti preko kabla ili ga izvući.

POSUDE I TANJIRI

UPOZORENJE

Opasnost od povrede

Koristite samo posude koje su pogodne za upotrebu u mikrotalasnoj rerni. Čvrsto zatvorene posude mogu eksplodirati za vreme kuvanja. Zatvorene posude potrebno je otvoriti pre kuvanja, a plastične posude probušiti. Pogledajte Materijali koji se mogu i koji se ne mogu koristiti za kuvanje u mikrotalasnoj rerni. Određeni nemetali ne mogu se bezbedno koristiti u mikrotalasnoj rerni. Ako niste sigurni može li se neki materijal bezbedno koristiti u mikrotalasnoj rerni, učinite sledeće:

Provera kuhinjskih posuda:

1. Posudu prikladnu za kuvanje u mikrotalasnoj rerni napunite hladnom vodom (250 ml).
2. Zagrevajte je 1 minut na najvećoj snazi zagrevanja.
3. Pažljivo proverite toplotu posude koju isprobavate. Ako je ispitana posuda topla, nemojte je koristiti za kuvanje u mikrotalasnoj rerni.
4. Nemojte kuvati više od 1 minuta.

OPASNOSTI po decu: Nemojte dozvoliti deci da se igraju ambalažom. Nemojte dopustiti deci da se igraju ambalažom od najlonske folije. Postoji opasnost od gušenja.



Vruća površina!

Materijali koje možete koristiti u mikrotalasnoj rerni

Posuda	Napomene
Plehovi za pečenje	Sledite uputstva proizvođača. Dno posude za pečenje mora biti najmanje 5 mm iznad rotacionog tanjira. Nepravilno rukovanje može dovesti do napuknuća rotacionog tanjira.
Tanjiri	Koristite samo tanjire i posude koji su prikladni za upotrebu u mikrotalasnoj rerni. Sledite uputstva proizvođača. Nemojte koristiti napukle ili na drugi način oštećene posude.
Staklene posude	Neka uvek budu bez poklopca. Jelo samo podgreivajte. Nemojte kuvati! Većina staklenih posuda i tegli nije otporna na visoke temperature i može popucati.
Staklene posude za pečenje	Koristite samo one staklene posude koje su izrađene od stakla otpornog na visoke temperature. Proverite da li posuda ima metalni obruč ili druge metalne delove. Nemojte koristiti napukle ili na drugi način oštećene posude.
Kesice za pečenje	Sledite uputstva proizvođača. Ne zatvarajte ih metalnim kopčama. Neka kesica ostane malo otvorena na spoju da bi vruća para mogla slobodno izlaziti.
Papirni tanjiri	Pogodni su samo za zagrevanje ili za kratko kuvanje. Ne ostavljajte rernu bez nadzora tokom kuvanja.
Papirni ubrusi	Koristite ih za pokrivanje namirnica i skupljanje viška masnoće. Koristite samo za kratko kuvanje. Ne ostavljajte bez nadzora tokom kuvanja.
Papir za pečenje	Koristi se za pokrivanje ili zamotavanje hrane kada namirnice pečemo u njihovom vlastitom soku kako ne bi prskalo po rerni.
Plastični materijali	Koristite samo tanjire i posude koji su prikladni za upotrebu u mikrotalasnoj rerni. Sledite uputstva proizvođača. Plastični materijali koji su prikladni za upotrebu u mikrotalasnoj rerni moraju biti označeni s: „Neka vrste plastike omekšavaju zbog produženog izlaganja visokim temperaturama. „Torbice za kuvanje“ i kesice za pečenje moraju se prerezati, probušiti, ili na neki drugi način otvoriti u skladu s uputstvima proizvođača namirnice.
Plastične ambalažne folije	Koristite samo tanjire i posude koji su prikladni za upotrebu u mikrotalasnoj rerni. Koristite ih za zaštitu hrane i da biste sačuvali vlažnost hrane tokom kuvanja. Pazite na to da plastična folija ne dodiruje hranu.
Termometri	Koristite samo termometre prikladne za korišćenje u mikrotalasnoj rerni. (Termometri za meso, kolače i poslastice).
Masni papir	Koristite ih za pokrivanje i zaštitu hrane, kao i da biste sačuvali vlažnost hrane tokom kuvanja.

Materijali koje ne smete koristiti u mikrotalasnoj rerni

Posude i tanjiri	Napomene
Aluminijumske podloge i limovi za pečenje	Postoji opasnost od deformisanja. Premestite namirnice u posudu prikladnu za kuvanje u mikrotalasnoj rerni.
Kutije za hranu i kartonske kutije s metalnom ručkom	Postoji opasnost od deformisanja. Premestite namirnice u posudu prikladnu za kuvanje u mikrotalasnoj rerni.
Metalne posude i posude s metalnim delovima	Metal sprečava prodor energije mikrotalasa. Metalni delovi mogu da se deformišu.
Čelični prsteni za poklopce	Postoji opasnost od izobličenja i požara u rerni.
Papirne kesice	Mogu izgoreti. Postoji opasnost od požara u unutrašnjosti rerne.
Penasti materijali	Kad je izložena visokim temperaturama, plastična pena se može rastopiti i zagaditi hranu.
Drvo	Drvo se suši i može pući tokom kuvanja.

Upotreba materijala za pečenje i kuvanje u mikrotalasnoj rerni

Materijal	Mikrotalaso kuvanje	Roštijl	Kombinacija
Vatrostalno staklo	Da	Da	Da
Obično staklo	Ne	Ne	Ne
Keramika pogodna za pečenje	Da	Da	Da
Plastično posude za mikrotalase rerne	Da	Ne	Ne
Papir za pečenje	Da	Ne	Ne
Metalna rešetka	Ne	Da	Ne
Limovi za pečenje	Ne	Da	Ne

Materijal**Mikrotalasno kuvanje****Roštilj****Kombinacija**

Aluminijumske folije

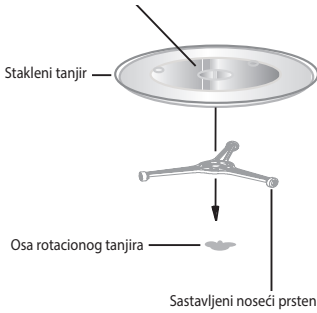
Ne

Da

Ne

POSTAVLJANJE NOSEĆEG OKRETNOG TANJIRA

Središte (donja strana)



1. Nikada ne postavljajte stakleni tanjir naopako. Stakleni tanjir se mora stalno slobodno okretati.
2. Nikada ne koristite rernu bez nosećeg prstena i staklenog tanjira.
3. Sve namirnice i posude s njima moraju se uvek staviti na stakleni tanjir.
4. Ako dođe do oštećenja tanjira ili nosećeg prstena, javite se najbližem ovlašćenom servisu.

SASTAVLJANJE MIKROTALASNE RERNE**Nazivi delova rerne i pribora**

Raspakujte rernu i sav pribor.

Rerna se isporučuje sa sledećim priborom:

Stakleni tanjir

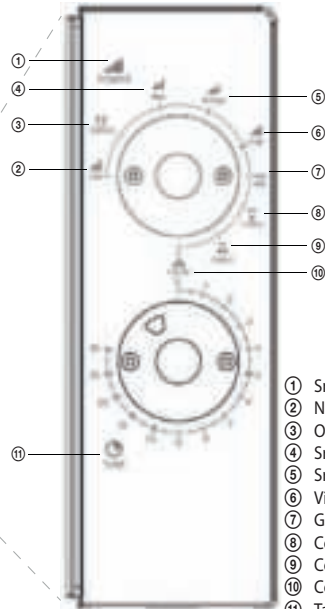
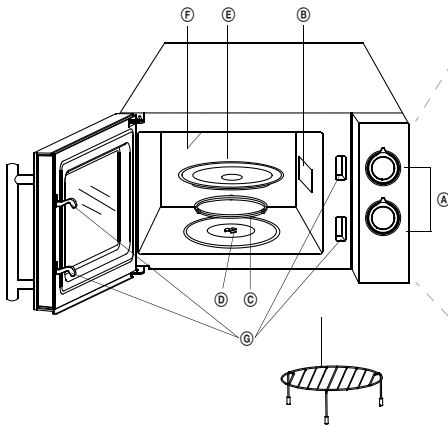
Sastavljeni noseći prsten

Uputstva za upotrebu

1

1

1



- 1 Snaga
- 2 Nisko
- 3 Srednje
- 4 Srednje snažno
- 5 Visoko
- 6 Gril
- 7 Combi. 1
- 8 Combi. 2
- 9 Combi. 3
- 10 Tajmer (min)

- A Upravljačka ploča
- B Talasovod
- C Noseći prsten
- D Osovina okretnice
- E Stakleni tanjir

- F Gril
- G Sigurnosna brava
(U slučaju da se vrata otvore tokom kuvanja, zaustavlja se dovod električne energije.)

UGRADNJA

Uklonite svu ambalažu, otpakujte pribor.

Proverite ima li nekih oštećenja na rerni (udubljena ili oštećena vrata i slično). Nemojte priključivati rernu koja je na bilo koji način oštećena.

Kuhinjska radna ploča

Kučite rerne: Odstranite sve zaštitne folije s površine kućišta.

Nemojte skidati svetlo-braon foliju koja je pričvršćena u unutrašnjosti rerne. Ta folija je zaštita za magnetron rerne.

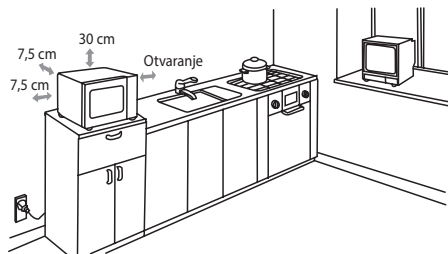
Instalacija

1. Mikrotalasnu rernu treba da smestite na ravno mesto koje osigurava dovoljno slobodnog prostora za pravilan rad ventilacionih otvora.

Između peći i najbližeg zida mora biti udaljenost od najmanje 7,5 cm.

Najmanje jedna strana mora biti slobodna.

- a) Ostavite najmanje 30 cm slobodnog prostora iznad rerne.
 - b) Nemojte skidati nožice rerne.
 - c) Nemojte blokirati ventilacione otvore. To bi moglo dovesti do oštećenja rerne.
 - d) Postavite rernu što je dalje moguće od radio i TV uređaja. Mikrotalasna rerna može uzrokovati smetnje radio i TV signala.
2. Uključite rernu u običnu zidnu utičnicu. Proverite da li se slažu napon i frekvencija navedeni na natpisnoj pločici s naponom i frekvencijom u mreži.



UPOZORENJE: Rernu nemojte postavljati iznad ploče za kuvanje, kao ni u njenoj blizini ili blizini nekog drugog izvora toplote. Postavljanje rerne u blizini predmeta sa povišenom temperaturom može dovesti do oštećenja rerne i prestanka važenja garancije.

Mikrotalasna rerna je projektovana za slobodno postavljanje i ne sme se ugrađivati u ormariće.

Za vreme rada površina rerne može biti vruća.



Upravljački panel i funkcije

1. Snagu rerne podesite okretanjem dugmeta za regulaciju (Power) na željeni stepen.
2. Podesite vreme kuvanja okretanjem točkića za određivanje trajanja kuvanja (Time) na željeno trajanje, u zavisnosti od hrane koja se priprema (najv. 30 minuta).
3. Nakon postavljanja snage i vremena mikrotalasna rerna automatski će početi s kuvanjem.
4. Nakon što podešeno vreme istekne, rerna prestaje da radi.
5. Ako rernu ne koristite, neka tajmer ostane u položaju „0“.

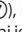
Napomena: Ako želite da postavite vreme kuvanja koje je kraće od dva minuta, okrenite točik na vreme koje je duže od 2 minuta, a zatim ga vratite na željeno vreme.

Zagrevanje mikrotalasima

Za zagrevanje isključivo mikrotalasima, na raspolaganju je pet nivoa snage koji dobro odgovaraju svojim svrhama. Snaga se povećava kad se točik okreće udesno. Nivoi snage označeni su sledećim oznakama:

Izlazna snaga	Opis
100 %	HIGH
81%	M.HIGH
58%	MED
36%	DEFROST
18%	LOW

Roštilj

Okretanjem točkića u smeru kazaljki na satu do poslednjeg, najvišeg nivoa snage (položaj GRIL ) uključuje se roštilj kojim je posebno preporučljivo peći tanke komade mesa, odreske, kotlete, čevapčiče, kobasice ili komade piletine. Ovaj je način prikladan i za pripremu toplih sendviča i jela od integralnih žitarica.

Kombinovani režim

Kao što ime govori, ovaj režim kuvanja je kombinacija mikrotalasnog grejanja i roštilja. Režim je dostupan u tri nivoa snage koji se sastoje od različitih odnosa snage mikrotalasnog grejanja i roštilja. Nivoi su opisani u donjoj tabeli. Kombinovani način posebno je prikladan za određene vrste hrane. Takođe pomaže da se postigne hrskava korica.

Sledeća tabela opisuje 3 različite postavke kombinovanog načina.

Program	Zagreivanje mikrotalasima	Roštilj	Prikladno za
Combi. 1	30%	70%	Riba, krompir, jela od integralnih žitarica
Combi. 2	49%	51%	Puding, omlat, pečeni krompir
Combi. 3	67%	33%	Perad

REŠAVANJE PROBLEMA

Česti	
Mikrotalasna rerna ometa rad TV prijemnika.	Mikrotalasna rerna svojim radom može izazvati smetnje pri prijemu radija i televizije. Te smetnje slične su smetnjama koje uzrokuju mali električni aparati kao što su mikser, usisivač ili električni ventilator.
Svetlo u rerni je slabo.	Kod korišćenja mikrotalasa niske snage može se smanjiti svetlo u rerni.
Na vratima se skuplja para, a iz ventilacionih otvora izlazi vruć vazduh.	Za vreme kuvanja iz namirnica može izlaziti para. Najveći deo pare izlazi kroz ventilacione otvore, ali se deo može sakupiti na hladnijim delovima, kao što su vrata. To je normalno.
Mikrotalasna rerna je greškom uključena prazna.	Nemojte uključivati rernu dok je prazna. To je vrlo opasno.

Problem	Mogući uzrok	Rešenje
Rerna ne može da se uključi.	(1) Kabl za napajanje nije čvrsto priključen u utičnicu.	Isključite kabl za napajanje. Nakon oko 10 sekundi uključite kabl u utičnicu.
	(2) Pregoreo je osigurač, ili je zaštitna sklopka ispalila.	Zamenite osigurač ili resetujte zaštitnu sklopku (popravlja tehničar iz naše firme).
	(3) Problem sa utičnicom.	Pokušajte da priključite neki drugi električni uređaj u istu utičnicu.
Rerna ne greje.	(4) Vrata nisu pravilno zatvorena.	Dobro zatvorite vrata.
Rotacioni tanjir proizvodi buku tokom rada mikrotalasne rerne.	(5) Zaprljani su dno rerne ili noseći prsten.	Očistite rernu u skladu s poglavljem „Čišćenje“.

TEHNIČKI PODACI

Zapremina:	20 l	Nominalni napon:	230–240 V~ 50 Hz
Snaga mikrotalasa:	700 W	Nominalna snaga:	1.200 W
Tajmer:	30 minuta	Radna frekvencija:	2.450 MHz
Podešavanje snage:	5 nivoa	Buka:	55 dB
Okretni tanjir:	Ø 245 mm	Gril:	900 W
Masa:	11,3 kg		
Dimenzije:	452 × 262 × 364 mm		
Dimenzije unutrašnjeg prostora:	315 × 198 × 297 mm		

UPOTREBA I ODLAGANJE OTPADA

Papirni otpad i kartonsku ambalažu predajte u reciklažna dvorišta. Foliju za pakovanje, kese od polietilena i plastične delove odložite u kontejnere za plastiku.

ODLAGANJE PROIZVODA NAKON ISTEKA RADNOG VEKA

Odlaganje otpada električne i elektronske opreme (primenljivo u državama članicama EU i drugim evropskim zemljama koje su uspostavile sisteme razvrstavanja otpada)

Oznaka koja je navedena na proizvodu ili na ambalaži označava da se proizvod ne sme odlagati kao kućni otpad. Proizvod odložite na mesto određeno za recikliranje električne i elektronske opreme. Ispravnim odlaganjem proizvoda sprečavate negativne uticaje na zdravlje ljudi i okolinu. Reciklažom materijala pomažete očuvanju prirodnih resursa. Dodatne informacije o recikliranju ovog proizvoda pružice vam lokalne vlasti, organizacija za preradu kućnog otpada ili prodajno mesto na kom ste kupili proizvod.

Ovaj proizvod je usklađen s direktivama EU o elektromagnetnoj kompatibilnosti i električnoj sigurnosti.

Uputstva za upotrebu dostupna su na veb-stranici www.ecg-electro.eu. Zadržano je pravo na izmenu teksta i tehničkih parametara.



08/05



ΟΔΗΓΙΕΣ ΑΣΦΑΛΕΙΑΣ

Διαβάστε προσεκτικά και φυλάξτε για μελλοντική χρήση!

Προειδοποίηση: Τα μέτρα και οι οδηγίες ασφάλειας που περιέχονται στο παρόν εγχειρίδιο δεν περιλαμβάνουν όλες τις συνθήκες και τις δυναμικές περιστάσεις. Ο χρήστης πρέπει να κατανοήσει ότι η κοινή λογική, η προσοχή και η φροντίδα είναι στοιχεία που δεν μπορούν να ενσωματωθούν σε κανένα προϊόν. Συνεπώς, αυτά τα στοιχεία πρέπει να διασφαλιστούν από τον χρήστη που λειτουργεί και χειρίζεται την εν λόγω συσκευή. Δεν φέρουμε ευθύνη για ενδεχόμενες ζημιές που προκλήθηκαν κατά τη μεταφορά ή λόγω εσφαλμένης χρήσης, διακυμάνσεων τάσης ή τροποποίησης ή μετατροπής οποιουδήποτε μέρους της συσκευής.

Για προστασία έναντι κινδύνου πυρκαγιάς ή ηλεκτροπληξίας, πρέπει να λαμβάνονται βασικές προφυλάξεις κατά τη χρήση των ηλεκτρικών συσκευών, συμπεριλαμβανομένων των ακόλουθων:

1. Βεβαιωθείτε ότι η τάση της πρίζας στον χώρο σας αντιστοιχεί στην τάση που αναφέρεται στην ετικέτα της συσκευής, καθώς και ότι η πρίζα είναι γειωμένη σωστά. Η πρίζα πρέπει να είναι εγκατεστημένη σύμφωνα με τους ισχύοντες κανονισμούς και τα πρότυπα για ηλεκτρικές εγκαταστάσεις (EN).
2. Μην χρησιμοποιείτε τον φούρνο εάν η πόρτα έχει βλάβες, δεν λειτουργεί σωστά ή εάν έχει ζημιές το καλώδιο ρεύματος.

ΠΡΟΕΙΔΟΠΟΙΗΣΗ: Είναι επικίνδυνο για οποιονδήποτε, εκτός εκπαιδευμένων ατόμων, να πραγματοποιήσει εργασίες επισκευής ή συντήρησης και να αφαιρέσει οποιοδήποτε κάλυμμα το οποίο παρέχει προστασία έναντι της μικροκυματικής ακτινοβολίας.

Όλες οι επισκευές ή οι ρυθμίσεις, συμπεριλαμβανομένων των αλλαγών καλωδίων, πρέπει να διεξάγονται σε επαγγελματικό κέντρο επισκευών! Το καλώδιο πρέπει να αποσυνδεθεί από την πρίζα πριν από την επισκευή. Αφαιρώντας τα καλύμματα με ενεργή την παροχή ρεύματος, ενδέχεται να εκθέσετε τον τεχνικό μικροκυματικών συσκευών σε κίνδυνο από μικροκυματική ενέργεια και ηλεκτροπληξία!

3. Προφυλάξτε τη συσκευή από απευθείας επαφή με νερό ή άλλα υγρά για να αποτρέψετε ενδεχόμενη ηλεκτροπληξία. Μην βυθίζετε το καλώδιο ή το φις μέσα σε νερό!

4. Μην χρησιμοποιείτε τον φούρνο μικροκυμάτων σε εξωτερικούς χώρους ή σε υγρό περιβάλλον και μην αγγίζετε το καλώδιο ή τη συσκευή με βρεγμένα χέρια. Κίνδυνος ηλεκτροπληξίας.
5. Δώστε ιδιαίτερη προσοχή κατά τη χρήση του φούρνου κοντά σε παιδιά.
6. Μην αφήνετε τον φούρνο μικροκυμάτων σε λειτουργία χωρίς επιτήρηση.
7. Σας συνιστούμε να μην αφήνετε τον φούρνο χωρίς επίβλεψη και συνδεδεμένο στην πρίζα. Αποσυνδέστε το καλώδιο από την πρίζα ρεύματος πριν από οποιαδήποτε εργασία συντήρησης. Μην αποσυνδέετε το καλώδιο ρεύματος από την πρίζα τραβώντας βίαια το καλώδιο. Αποσυνδέστε το καλώδιο ρεύματος από την πρίζα πιάνοντας το φιο.
8. Μην χρησιμοποιείτε τον φούρνο μικροκυμάτων κοντά σε πηγές θερμότητας, όπως καυτές επιφάνειες. Προφυλάξτε τη συσκευή από το άμεσο ηλιακό φως.
9. Μην αφήνετε το καλώδιο ρεύματος να αγγίζει καυτές επιφάνειες ή να διέρχεται επάνω από κοφτερές ακμές.
10. Αποτρέψτε την πρόκληση φωτιάς μέσα στον φούρνο προσέχοντας τα ακόλουθα:
 - α) Μην θερμαίνετε υπερβολικά το φαγητό.
 - β) Αφαιρέστε τυχόν συρραπτικά πριν τοποθετήσετε χάρτινες ή πλαστικές σακούλες μέσα στον φούρνο.
 - γ) Μην θερμαίνετε έλαια ή λίπη στον φούρνο, καθώς η θερμοκρασία τους δεν μπορεί να ελεγχθεί. Μην αποξηραίνετε τρόφιμα στον φούρνο. Τα καυτά έλαια μπορούν να καταστρέψουν εξαρτήματα του φούρνου και σκεύη κουζίνας, καθώς και να προκαλέσουν εγκαύματα.
 - δ) Μετά τη χρήση, σκουπίστε την πόρτα, το στεγανωτικό της πόρτας και το εσωτερικό του φούρνου με ένα πανί υγραμένο με διάλυμα απορρυπαντικού και κατόπιν με στεγνό. Έτσι απομακρύνονται ρύποι, λίπη και υπολείμματα τροφών.

ΠΡΟΕΙΔΟΠΟΙΗΣΗ: Ο φούρνος δεν πρέπει να τίθεται σε λειτουργία εάν η πόρτα ή το στεγανωτικό της έχουν βλάβες ή φθορές, μέχρι να επισκευαστούν από εκπαιδευμένο τεχνικό. Ο φούρνος πρέπει να καθαρίζεται καλά και να απομακρύνονται τυχόν υπολείμματα τροφών. Εάν ο φούρνος δεν είναι καθαρός, μπορεί να προκληθεί ζημιά στις επιφάνειές του, γεγονός το οποίο θα μπορούσε να επηρεάσει αρνητικά

τη ζωή της συσκευής και να προκαλέσει επικίνδυνες καταστάσεις. Τα υπολείμματα λίπους μπορεί να υπερθερμανθούν και να προκληθεί πυρκαγιά.

Μην χρησιμοποιείτε αποξεστικά καθαριστικά.

Μην καθαρίζετε τη συσκευή με προϊόντα καθαρισμού μέσω ατμού.

- ε) Εάν το φαγητό που μαγειρεύεται στον φούρνο αρχίσει να καπνίζει ή αναφλεχτεί, αφήστε κλειστή την πόρτα του φούρνου, απενεργοποιήστε τον φούρνο και αποσυνδέστε το φις του καλωδίου ρεύματος από την πρίζα για να αποτρέψετε τη διάδοση της φωτιάς.
- στ) Όταν χρησιμοποιείτε πλαστικά μιας χρήσης, χαρτί, ή άλλα εύφλεκτα υλικά, μην τα αφήνετε στον φούρνο χωρίς επίβλεψη για να αποφύγετε την ανάφλεξή τους.
11. Για να περιορίσετε τον κίνδυνο έκρηξης ή αιφνιδίου βρασμού, λάβετε υπόψη τα παρακάτω:

ΠΡΟΕΙΔΟΠΟΙΗΣΗ: Τα υγρά και τα άλλα τρόφιμα δεν πρέπει να θερμαίνονται μέσα σε κλειστά αεροστεγή δοχεία, επειδή μπορεί να εκραγούν. Στα κλειστά δοχεία περιλαμβάνονται επίσης τα μπιμπερό με βιδωτό καπάκι ή θηλή.

- α) Χρησιμοποιήστε ένα δοχείο με ευρύ λαιμό για τη θέρμανση υγρών και αφήστε τα για 20 δευτερόλεπτα αφού τα ζεστάνετε για να αποτρέψετε ενδεχόμενο εκρηκτικό βρασμό τους.
- β) Τα αβγά με κέλυφος, τα ολόκληρα βρασμένα σφικτά αβγά, το νερό που περιέχει λίπη ή έλαια και τα σφραγισμένα γυάλινα δοχεία δεν πρέπει να θερμαίνονται στον φούρνο μικροκυμάτων, επειδή μπορεί να εκραγούν ακόμη και αφού ολοκληρωθεί η θέρμανσή τους μέσω μικροκυμάτων. Οι πατάτες, τα λουκάνικα ή τα κάστανα πρέπει να ξεφλουδίζονται ή να τρυπιούνται πριν από την τοποθέτησή τους στον φούρνο.
- γ) Η θέρμανση ροφημάτων μέσω μικροκυμάτων μπορεί να προκαλέσει καθυστερημένο βρασμό, γεγονός το οποίο πρέπει να λαμβάνεται υπόψη κατά το κράτημα του δοχείου.
- δ) Το περιεχόμενο των μπιμπερό και των δοχείων με παιδικές τροφές πρέπει να ανακατεύεται ή να ανακινείται πριν από το σερβίρισμα· επίσης, πρέπει να ελέγχεται η θερμοκρασία του πριν από την κατανάλωση για την αποφυγή εγκαυμάτων.

12. Τα δοχεία είναι καυτά αφού θερμανθούν. Χρησιμοποιήστε πιάστρες για να τα απομακρύνετε. Προσέξτε να μην πάθετε εγκαύματα στο πρόσωπο ή στα χέρια από την επαφή με καυτό ατμό.
13. Να σηκώνετε πάντα πρώτα την μακρινή πλευρά του καπακιού ή της μεμβράνης περιτυλίγματος του φαγητού. Να ανοίγετε τις σακούλες ποπ κορν και τις σακούλες ψησίματος σε απόσταση από το πρόσωπό σας.
14. Προστασία του περιστρεφόμενου δίσκου από θραύση:
 - α) Αφήστε τον περιστρεφόμενο δίσκο να κρυώσει πριν να τον καθαρίσετε.
 - β) Μην τοποθετείτε καυτά τρόφιμα ή δοχεία επάνω στον κρύο περιστρεφόμενο δίσκο.
 - γ) Μην τοποθετείτε κατεψυγμένα τρόφιμα ή δοχεία επάνω σε καυτό περιστρεφόμενο δίσκο.
15. Βεβαιωθείτε ότι τα δοχεία δεν αγγίζουν τα εσωτερικά τοιχώματα του φούρνου κατά τη διάρκεια της θέρμανσης.
16. Μην αποθηκεύετε τρόφιμα ή άλλα αντικείμενα μέσα στον φούρνο. Εάν χτυπήσει κεραυνός το δίκτυο ρεύματος, ο φούρνος μπορεί να ενεργοποιηθεί.
17. Μην χρησιμοποιείτε τον φούρνο εάν δεν περιέχει κάποιο τρόφιμο ή υγρό. Αυτή η ενέργεια μπορεί να προκαλέσει βλάβη στον φούρνο. Μην καλύπτετε ή φράσσετε τα ανοίγματα αερισμού του φούρνου.
18. Να χρησιμοποιείτε μόνο αξεσουάρ που προτείνονται από τον κατασκευαστή, αλλιώς κινδυνεύετε να χάσετε την κάλυψη της εγγύησης.
19. Να χρησιμοποιείτε τον φούρνο μικροκυμάτων μόνο σύμφωνα με τις οδηγίες του παρόντος εγχειριδίου. Αυτός ο φούρνος μικροκυμάτων προορίζεται μόνο για οικιακή χρήση. Ο κατασκευαστής δεν φέρει ευθύνη για ζημιές που προκλήθηκαν λόγω ακατάλληλης χρήσης της συσκευής.
20. Ο φούρνος μικροκυμάτων είναι σχεδιασμένος για το ζέσταμα τροφίμων και ροφημάτων. Η αποξήρανση τροφίμων, το στέγνωμα ρούχων και η θέρμανση θερμοφόρων, παντοφλών, σφουγγαριών, υγρών υφασμάτων και παρόμοιων αντικειμένων μπορεί προκαλέσει τραυματισμούς, ανάφλεξη ή πυρκαγιά.
21. Αυτή η συσκευή είναι σχεδιασμένη για χρήση σε οικιακούς και παρόμοιους χώρους, όπως:
 - κουζίνες σε καταστήματα γραφεία και άλλους χώρους εργασίας.

- συσκευές που χρησιμοποιούνται στον αγροτικό κλάδο·
 - συσκευές που χρησιμοποιούνται από φιλοξενούμενους σε ξενοδοχεία, μοτέλ και άλλες εγκαταστάσεις κατοικίας·
 - συσκευές που χρησιμοποιούνται σε πανσιόν.
22. Η συσκευή μπορεί να χρησιμοποιείται από παιδιά ηλικίας 8 ετών και άνω και από άτομα με μειωμένες φυσικές ή νοητικές ικανότητες, ή έλλειψη εμπειρίας και γνώσεων, όταν επιβλέπονται ή έχουν εκπαιδευτεί να χρησιμοποιούν τη συσκευή με ασφάλεια και κατανοούν τους κινδύνους της λανθασμένης χρήσης της. Τα παιδιά δεν πρέπει να παίζουν με τη συσκευή. Ο καθαρισμός και η συντήρηση που πραγματοποιείται από τον χρήστη δεν πρέπει να γίνεται από παιδιά, εκτός εάν είναι μεγαλύτερα των 8 ετών και επιβλέπονται.

Μην εκτίθεστε σε υπερβολική μικροκυματική ενέργεια

1. Μην προσπαθήσετε να θέσετε σε λειτουργία τον φούρνο εάν είναι ανοικτή η πόρτα. Με αυτήν την ενέργεια, μπορεί να εκτεθείτε σε επιβλαβή μικροκυματική ενέργεια. Μην προσπαθήσετε να παραβιάσετε ή να παρακάμψετε τις διατάξεις ασφαλείας στην πόρτα του φούρνου.
2. Μην εισάγετε ξένα αντικείμενα διαμέσου της πόρτας του φούρνου. Βεβαιωθείτε ότι δεν παραμένουν ρύποι και υπολείμματα καθαριστικών στο στεγανωτικό της πόρτας του φούρνου και στις επιφάνειες στεγάνωσης.
3. Μην χρησιμοποιείτε τον φούρνο εάν έχει βλάβη. Είναι απαραίτητο η πόρτα του φούρνου να σφραγίζει όταν κλείνει και να μην έχει ζημιές.
Παραδείγματα ζημιών που προκαλούνται στην πόρτα του φούρνου:
 - α) ΠΑΡΑΜΟΡΦΩΣΗ της πόρτας του φούρνου.
 - β) Χαλάρωση ή σπάσιμο των ΜΕΝΤΕΣΕΔΩΝ ή των ΔΙΑΤΑΞΕΩΝ ΑΣΦΑΛΕΙΑΣ της πόρτας.
 - γ) ΣΤΕΓΑΝΩΤΙΚΟ ΤΗΣ ΠΟΡΤΑΣ Ή ΠΕΡΙΟΧΕΣ ΣΤΕΓΑΝΩΣΗΣ ΣΤΗΝ ΠΡΟΣΩΠΗ ΤΟΥ ΠΛΑΙΣΙΟΥ.

Οι ρυθμίσεις ή επισκευές στον φούρνο μικροκυμάτων πρέπει να γίνονται μόνο από εξουσιοδοτημένα άτομα.
4. Όπως και με τις περισσότερες συσκευές μαγειρέματος, απαιτείται αυστηρή επίβλεψη για να αποτραπεί ο κίνδυνος πυρκαγιάς στο εσωτερικό του φούρνου.

Εάν συμβεί πυρκαγιά:

1. Μην ανοίγετε την πόρτα του φούρνου.
2. Απενεργοποιήστε τον φούρνο και αποσυνδέστε τον.
3. Κλείστε τον γενικό διακόπτη ρεύματος.

ΚΑΘΑΡΙΣΜΟΣ

Βεβαιωθείτε ότι αποσυνδέσατε τον φούρνο από το ρεύμα βγάζοντας το φιν από την πρίζα.

1. Χρησιμοποιήστε ένα υγρό πανί για να καθαρίσετε το εσωτερικό του φούρνου.
2. Καθαρίστε τα αξεσουάρ ως συνήθως, με νερό και σαπούνι.
3. Εάν έχει λερωθεί το πλαίσιο της πόρτας, τα στεγανωτικά και τα σχετικά εξαρτήματα, καθαρίστε τα προσεκτικά με ένα πανί υγραμένο σε διάλυμα απορρυπαντικού και κατόπιν σκουπίστε τα.

Ο φούρνος μικροκυμάτων πρέπει να γειώνεται. Το φιν πρέπει να συνδέεται μόνο σε μια σωστά γειωμένη πρίζα.

Σε περίπτωση αμφιβολίας για την ηλεκτρική εγκατάσταση ή εάν ο φούρνος δεν λειτουργεί σωστά, επικοινωνήστε με έναν αδειούχο ηλεκτρολόγο ή τεχνικό.

1. Ο φούρνος μικροκυμάτων διαθέτει καλώδιο μικρού μήκους για μείωση του κινδύνου να μπερδευτεί ή να σκοντάψει κάποιος.
2. Τα μακριά καλώδια επέκτασης πρέπει να καλύπτουν τις ακόλουθες απαιτήσεις:
 - α) Όσον αφορά στα ηλεκτρικά φορτία, οι ονομαστικές τιμές του καλωδίου επέκτασης και της πρίζας πρέπει να καλύπτουν αυτές του φούρνου μικροκυμάτων.
 - β) Το καλώδιο επέκτασης πρέπει να είναι τριών αγωγών, ενώ το φιν και η πρίζα πρέπει να διαθέτουν ακροδέκτη γείωσης.
 - γ) Το καλώδιο πρέπει να είναι καλά προφυλαγμένο ώστε να μην κρέμεται αδικαιολόγητα πάνω από τον πάγκο εργασίας της κουζίνας καθώς και να μην μπορούν να σκοντάψουν πάνω του ή να το τραβήξουν παιδιά.

ΣΚΕΥΗ ΚΑΙ ΠΙΑΤΑ ΠΡΟΣΟΧΗ

Κίνδυνος τραυματισμού

Να χρησιμοποιείτε μόνο δοχεία τα οποία είναι κατάλληλα για φούρνους μικροκυμάτων. Τα σφικτά κλεισμένα δοχεία μπορεί να εκραγούν όταν θερμαίνονται. Τα κλειστά δοχεία πρέπει να ανοίγονται πριν από το μαγείρεμα και οι πλαστικές συσκευασίες να τρυπιούνται· ανατρέξτε στην ενότητα για τα υλικά που μπορούν/δεν μπορούν να χρησιμοποιούνται για μαγείρεμα σε φούρνο μικροκυμάτων. Υπάρχουν ορισμένα μη μεταλλικά υλικά, τα οποία δεν μπορούν να χρησιμοποιούνται με ασφάλεια κατά το μαγείρεμα σε φούρνο μικροκυμάτων. Σε περίπτωση που δεν είστε σίγουροι εάν το υλικό μπορεί να χρησιμοποιηθεί με ασφάλεια για μαγείρεμα σε φούρνο μικροκυμάτων, κινηθείτε ως εξής:

Δοκιμάστε το δοχείο:

1. Γεμίστε το δοχείο που σκοπεύετε να χρησιμοποιήσετε για μαγείρεμα σε φούρνο μικροκυμάτων με κρύο νερό (250 ml).
2. Ζεστάνετε το για 1 λεπτό στη μέγιστη ισχύ μαγειρέματος.
3. Ελέγξτε προσεκτικά τη θερμοκρασία του δοχείου που δοκιμάσατε. Εάν το δοχείο που δοκιμάσατε είναι ζεστό, μην το χρησιμοποιείτε όταν μαγειρεύετε σε φούρνο μικροκυμάτων.
4. Μην το ζεσταίνετε για περισσότερο από 1 λεπτό.

ΚΙΝΔΥΝΟΣ για παιδιά: Τα παιδιά δεν πρέπει να παίζουν με τα υλικά συσκευασίας. Μην αφήνετε τα παιδιά να παίζουν με πλαστικές σακούλες. Κίνδυνος ασφυξίας.



Καυτή επιφάνεια!

Υλικά που μπορείτε να χρησιμοποιήσετε όταν μαγειρεύετε σε φούρνο μικροκυμάτων

Δοχεία	Σημειώσεις
Φόρμες	Ακολουθήστε τις οδηγίες του κατασκευαστή. Ο πάτος της φόρμας πρέπει να βρίσκεται τουλάχιστον 5 χιλ. πάνω από το πλατό. Ο ακατάλληλος χειρισμός μπορεί να οδηγήσει σε θραύση του πλατό.
Ταψιά	Να χρησιμοποιείτε μόνο ταψιά και πιάτα σχεδιασμένα για χρήση σε φούρνους μικροκυμάτων. Ακολουθήστε τις οδηγίες του κατασκευαστή. Μην χρησιμοποιείτε μπολ με ρωγμές ή άλλες φθορές.

Δοχεία	Σημειώσεις
Γυάλινες κανάτες και κούπες	Να αφαιρείτε πάντα το καπάκι. Να ζεσταίνετε μόνο το τρόφιμο. Μην μαγειρεύετε! Οι περισσότερες γυάλινες κανάτες και τα ποτήρια δεν αντέχουν τις υψηλές θερμοκρασίες και μπορεί να σπάσουν.
Γυάλινα ταψιά	Να χρησιμοποιείτε μόνο γυάλινα ταψιά ανθεκτικά στις υψηλές θερμοκρασίες. Βεβαιωθείτε ότι το μπουλ δεν έχει μεταλλική μπορντούρα ή άλλα μεταλλικά εξαρτήματα. Μην χρησιμοποιείτε μπουλ με ρωγμές ή άλλες φθορές.
Σακούλες ψησίματος	Ακολουθήστε τις οδηγίες του κατασκευαστή. Μην τις κλείνετε με μεταλλικά κλιπ. Αφήστε τη σακούλα ελαφρώς ανοικτή, ώστε να διαφεύγει ο καυτός ατμός.
Χάρτινα ταψιά	Είναι κατάλληλα μόνο για ζέσταμα ή σύντομο μαγείρεμα. Μην αφήνετε τον φούρνο χωρίς επίβλεψη κατά το μαγείρεμα.
Χάρτινες πετσέτες	Χρησιμοποιήστε τες για να καλύψετε τα πιάτα και να απομακρύνετε το λιωμένο λίπος. Χρησιμοποιήστε τες μόνο για σύντομο μαγείρεμα. Μην αφήνετε χωρίς επίβλεψη κατά το μαγείρεμα.
Αντικολητικό χαρτί	Χρησιμοποιήστε το για την κάλυψη τροφίμων, το περιτύλιγμα τροφίμων για βράσιμο και την αποτροπή του πιτσιλίσματος μέσα στον φούρνο.
Πλαστικό υλικό	Να χρησιμοποιείτε μόνο ταψιά και πιάτα σχεδιασμένα για χρήση σε φούρνους μικροκυμάτων. Ακολουθήστε τις οδηγίες του κατασκευαστή. Τα πλαστικά υλικά που είναι κατάλληλα για χρήση σε φούρνο μικροκυμάτων πρέπει να φέρουν σαφή επισήμανση: «Κατάλληλο για φούρνους μικροκυμάτων». Ορισμένα πλαστικά μαλακώνουν λόγω του μεγάλου χρόνου έκθεσης σε υψηλές θερμοκρασίες. Οι «σακούλες μαγειρέματος» και οι «σακούλες ψησίματος» πρέπει να κόβονται, να τρυπιούνται ή να αερίζονται με κάποιο άλλο τρόπο, ανάλογα με τις οδηγίες του κατασκευαστή.
Πλαστικές μεμβράνες συσκευασίας	Να χρησιμοποιείτε μόνο ταψιά και πιάτα σχεδιασμένα για χρήση σε φούρνους μικροκυμάτων. Χρησιμοποιήστε τες για την κάλυψη τροφίμων και τη διατήρηση της υγρασίας κατά το μαγείρεμα. Βεβαιωθείτε ότι η πλαστική μεμβράνη δεν αγγίζει το φαγητό που παρασκευάζετε.
Θερμόμετρα	Να χρησιμοποιείτε μόνο θερμόμετρα τα οποία είναι κατάλληλα για φούρνους μικροκυμάτων. (Θερμόμετρα για κρέας, γλυκά και μπισκότα).
Λαδόκολλα	Χρησιμοποιήστε την για την κάλυψη του τροφίμου, την αποτροπή του πιτσιλίσματος του εσωτερικού του φούρνου και τη διατήρηση της υγρασίας κατά το μαγείρεμα.

Υλικά που δεν μπορείτε να χρησιμοποιήσετε όταν μαγειρεύετε σε φούρνο μικροκυμάτων

Σκεύη και πιάτα	Σημειώσεις
Ταψιά και πιάτα αλουμίνιου	Κίνδυνος παραμόρφωσης. Βάλτε το τρόφιμο σε έναν δίσκο κατάλληλο για μαγείρεμα σε φούρνο μικροκυμάτων.
Τρόφιμα μέσα σε κουτιά από χαρτόνι με μεταλλική λαβή	Κίνδυνος παραμόρφωσης. Βάλτε το τρόφιμο σε έναν δίσκο κατάλληλο για μαγείρεμα σε φούρνο μικροκυμάτων.
Μεταλλικά πιάτα και πιάτα με μεταλλικά εξαρτήματα	Το μέταλλο δεν επιτρέπει τη διείσδυση της μικροκυματικής ενέργειας. Οι μεταλλικές μπορντούρες μπορεί να στραβώσουν.
Συρμάτινοι δακτύλιοι κλεισίματος	Υπάρχει κίνδυνος παραμόρφωσης και φωτιάς μέσα στον φούρνο.
Χάρτινες σακούλες	Κίνδυνος ανάφλεξης. Κίνδυνος φωτιάς μέσα στον φούρνο.
Αφρώδη υλικά	Λόγω των ψηλών θερμοκρασιών, το πλαστικό αφρώδες υλικό μπορεί να λιώσει και να μολύνει το τρόφιμο.
Ξύλο	Το ξύλο αποξηραίνεται και μπορεί να σπάσει κατά το μαγείρεμα.

Χρήση υλικών για ψήσιμο και μαγείρεμα σε φούρνο μικροκυμάτων

Υλικό	Μαγείρεμα σε φούρνο μικροκυμάτων	Ψήσιμο	Συνδυασμός
Γυαλί πυρέξ	Ναι	Ναι	Ναι
Κοινό γυαλί	Όχι	Όχι	Όχι
Κεραμικά σχεδιασμένα για φούρνο	Ναι	Ναι	Ναι
Πλαστικά πιάτα για μικροκύματα	Ναι	Όχι	Όχι
Χαρτί ψησίματος	Ναι	Όχι	Όχι
Μεταλλική σχάρα	Όχι	Ναι	Όχι

Υλικό

Μαγείρεμα σε φούρνο
μικροκυμάτων

Ψήσιμο

Συνδυασμός

Μεταλλικό πιάτο, δίσκος	Όχι	Ναι	Όχι
Αλουμινόχαρτο	Όχι	Ναι	Όχι

ΕΓΚΑΤΑΣΤΑΣΗ ΤΟΥ ΠΛΑΤΟ

Ομφαλός (κάτω πλευρά)



1. Μην ακουμπάτε το πλάτο ανάποδα. Το πλάτο πρέπει να περιστρέφεται πάντα ελεύθερα.
2. Μην χρησιμοποιείτε τον φούρνο χωρίς τον δακτύλιο περιστροφής και τον γυάλινο δίσκο.
3. Όλα τα τρόφιμα και τα πιάτα με τρόφιμα πρέπει να τοποθετούνται πάντα επάνω στον γυάλινο δίσκο.
4. Εάν σπάσει ο γυάλινος δίσκος ή πάθει ζημιά ο δακτύλιος περιστροφής, επικοινωνήστε με το κοντινότερο εξουσιοδοτημένο κέντρο επισκευών.

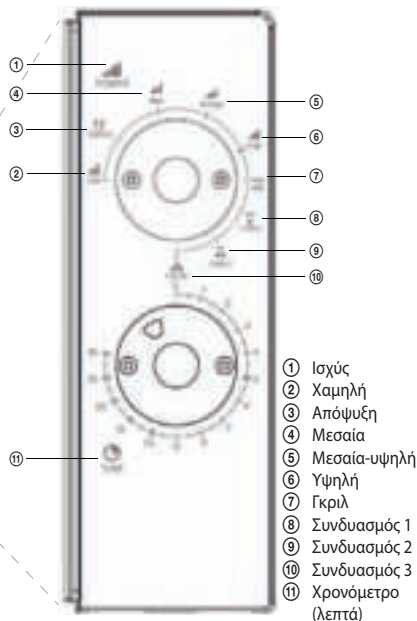
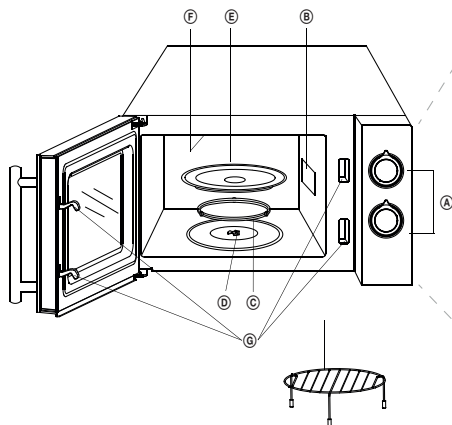
ΕΓΚΑΤΑΣΤΑΣΗ ΤΟΥ ΦΟΥΡΝΟΥ ΜΙΚΡΟΚΥΜΑΤΩΝ

Εξαρτήματα και δυνατότητες

Αποσκευάστε τον φούρνο και όλα τα αξεσουάρ.

Ο φούρνος παρέχεται με τα ακόλουθα αξεσουάρ:

Γυάλινος δίσκος	1
Συναρμολογημένο στήριγμα	1
Εγχειρίδιο χειρισμού	1



- (A) Πίνακας ελέγχου
- (B) Κυματοδηγός
- (C) Στήριγμα
- (D) Αξονας στηρίγματος
- (E) Πλάτο

- (F) Γκριλ
- (G) Σύστημα διατάξεων ασφαλείας
(Απενεργοποιούν τη συσκευή εάν ανοίξει η πόρτα κατά το μαγείρεμα.)

- ① Ισχύς
- ② Χαμηλή
- ③ Απόψυξη
- ④ Μεσαία
- ⑤ Μεσαία-ψηλή
- ⑥ Υψηλή
- ⑦ Γκριλ
- ⑧ Συνδυασμός 1
- ⑨ Συνδυασμός 2
- ⑩ Συνδυασμός 3
- ⑪ Χρονόμετρο (λεπτά)

ΕΓΚΑΤΑΣΤΑΣΗ

Αφαιρέστε όλα τα υλικά συσκευασίας και όλα τα αξεσουάρ.

Ελέγξτε ότι ο φούρνος δεν έχει ζημιές (πόρτα με φορτές ή παραμόρφωση κ.λπ.). Μην εγκαθιστάτε τον φούρνο μικροκυμάτων εάν έχει βλάβη.

Επιφάνεια εργασίας κουζίνας

Σώμα φούρνου: Αφαιρέστε όλα τα προστατευτικά φύλλα από την επιφάνεια του φούρνου.

Μην αφαιρέσετε το ανοικτό καφέ φύλλο που είναι βιδωμένο στο εσωτερικό του φούρνου. Αυτό το φύλλο προστατεύει τη λυχνία μάγνητρον του φούρνου.

Εγκατάσταση

1. Τοποθετήστε τον φούρνο επάνω σε μια επίπεδη επιφάνεια, με επαρκή χώρο γύρω από τη συσκευή ώστε να διασφαλίζεται η σωστή λειτουργία των θυρίδων εξαγωγής.

Η ελάχιστη απόσταση μεταξύ του φούρνου και του κοντινότερου τοίχου πρέπει να είναι 7,5 εκ.

Τουλάχιστον μία πλευρά πρέπει να είναι ελεύθερος χώρος.

α) Αφήστε τουλάχιστον 30 εκ. ελεύθερου χώρου επάνω από τον φούρνο.

β) Μην αφαιρείτε τα σκέλη του φούρνου.

γ) Μην μπλοκάρτε τις θυρίδες εξαγωγής. Ο φούρνος ενδέχεται να πάθει βλάβη.

δ) Τοποθετήστε τον φούρνο όσο το δυνατόν πιο μακριά από οποιαδήποτε συσκευή ραδιοφώνου ή τηλεόρασης. Ένας φούρνος μικροκυμάτων μπορεί να προκαλέσει παρεμβολές στα σήματα ραδιοφώνου και τηλεόρασης.

2. Συνδέστε τον φούρνο σε ένα τυπικό δίκτυο ηλεκτρικού ρεύματος. Βεβαιωθείτε ότι η τάση και η συχνότητα που αναφέρονται στην ετικέτα του φούρνου ταιριάζουν με την τάση και τη συχνότητα του δικτύου ρεύματος.

ΠΡΟΣΟΧΗ: Μην εγκαθιστάτε τον φούρνο επάνω ή κοντά σε εστίες μαγειρέματος ή άλλον εξοπλισμό θέρμανσης. Η τοποθέτηση του φούρνου κοντά σε μια συσκευή θέρμανσης μπορεί να έχει ως αποτέλεσμα ζημιά του φούρνου και ακύρωση της εγγύησης.

Ο φούρνος μικροκυμάτων είναι σχεδιασμένος για χρήση σε ανοικτό χώρο και δεν πρέπει να τοποθετείται μέσα σε ντουλάπια.

Η επιφάνεια του φούρνου μικροκυμάτων μπορεί να αναπτύξει υψηλή θερμοκρασία κατά τη λειτουργία.



Πίνακας ελέγχου και λειτουργίες

1. Ρυθμίστε την ισχύ μαγειρέματος γυρίζοντας τον μηχανισμό (Power) στο επιθυμητό επίπεδο.
2. Ανάλογα με τον τύπο του φαγητού που ετοιμάζετε, ρυθμίστε τη διάρκεια μαγειρέματος περιστρέφοντας τον μηχανισμό χρονόμετρου (Time) στο επιθυμητό διάστημα (μέγ. 30 λεπτά).
3. Ο φούρνος μικροκυμάτων ξεκινάει αυτόματα μόλις ρυθμιστεί η ισχύς μαγειρέματος και η διάρκεια.
4. Ο φούρνος θα σταματήσει το μαγείρεμα μόλις περάσει η καθορισμένη διάρκεια.
5. Αφήστε τον μηχανισμό χρονόμετρου στο «0» εάν δεν θα χρησιμοποιήσετε τον φούρνο.


Σημείωση: Για να επιλέξετε χρόνο μαγειρέματος μικρότερο από 2 λεπτά, γυρίστε το κουμπί μετά από την ένδειξη των 2 λεπτών και κατόπιν επαναφέρετέ το στην επιθυμητή τιμή.

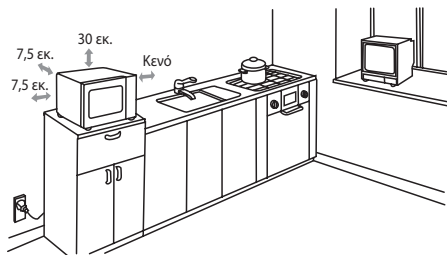
Θέρμανση με μικροκύματα

Για θέρμανση αποκλειστικά με μικροκύματα, είναι διαθέσιμα πέντε επίπεδα ισχύος, κατάλληλα για τις διάφορες εργασίες που χρειάζεστε. Η ισχύς αυξάνεται όσο γυρίζετε το κουμπί προς τα δεξιά. Τα επίπεδα ισχύος περιγράφονται παρακάτω:

Ισχύς εξόδου	Περιγραφή
100%	HIGH (υψηλή)
81%	M.HIGH (μέτρια-υψηλή)
58%	MED (μέτρια)
36%	DEFROST (απόψυξη)
18%	LOW (χαμηλή)

Ψήσιμο

Εάν γυρίσετε το κουμπί προς τα δεξιά μετά το μέγιστο επίπεδο ισχύος μικροκυμάτων (θέση GRILL ) , ο φούρνος θα μεταβεί σε κατάσταση ψησίματος, η οποία είναι ιδιαίτερα χρήσιμη για λεπτές φέτες κρέατος, μπιφτέκια, κοτολέτες, κεμπάπ, λουκάνικα ή κομμάτια κοτόπουλου. Αυτή η κατάσταση λειτουργίας είναι επίσης κατάλληλη για την παρασκευή ζεστών σάντουιτς και πιάτων με τρόφιμα ολικής άλεσης.



Συνδυασμένη κατάσταση λειτουργίας

Όπως λέει και το όνομά της, αυτή η κατάσταση μαγειρέματος συνδυάζει τη θέρμανση με μικροκύματα και το ψήσιμο στο γκριλ. Αυτή η κατάσταση είναι διαθέσιμη σε τρία επίπεδα ισχύος, τα οποία συνδυάζουν διαφορετικά επίπεδα ισχύος για τη θέρμανση με μικροκύματα και το γκριλ. Τα επίπεδα περιγράφονται στον ακόλουθο πίνακα. Η συνδυασμένη κατάσταση λειτουργίας είναι ιδιαίτερα κατάλληλη για συγκεκριμένους τύπους τροφίμων. Συμβάλλει επίσης στην επίτευξη τραγανής υφής.

Ο ακόλουθος πίνακας περιγράφει τις 3 διαφορετικές ρυθμίσεις της συνδυασμένης κατάστασης λειτουργίας.

Πρόγραμμα	Θέρμανση με μικροκύματα	Ψήσιμο	Κατάλληλο για
Combi. 1	30%	70%	Ψάρια, πατάτες, πιάτα με τρόφιμα ολικής άλεσης
Combi. 2	49%	51%	Πουτίγκες, ομελέτες, ψητές πατάτες
Combi. 3	67%	33%	Πουλερικά

ΑΝΤΙΜΕΤΩΠΙΣΗ ΠΡΟΒΛΗΜΑΤΩΝ

Κοινά	
Ο φούρνος μικροκυμάτων προκαλεί παρεμβολές στη λήψη της τηλεόρασης.	Η λειτουργία του φούρνου μικροκυμάτων μπορεί να προκαλέσει παρεμβολές στη λήψη ραδιοφωνικών και τηλεοπτικών σημάτων. Είναι παρόμοιες με τις παρεμβολές που δημιουργούν οι μικρές ηλεκτρικές συσκευές, όπως τα μίξερ, οι ηλεκτρικές σκούπες και οι ηλεκτρικοί ανεμιστήρες.
Το φως του φούρνου έχει χαμηλή ένταση.	Η ένταση του φωτός στο εσωτερικό του φούρνου μπορεί να μειωθεί όταν επιλέγεται χαμηλή ισχύς μαγειρέματος.
Εμφανίζεται ατμός στην πόρτα, βγαίνει καυτός αέρας από τις θυρίδες.	Το φαγητό μπορεί να παράγει ατμό κατά το μαγείρεμα. Ο περισσότερος ατμός διαφεύγει διαμέσου των θυρίδων εξαγωγής, αν και ένα μέρος του μπορεί να συσσωρεύεται σε ψυχρότερα σημεία, όπως η πόρτα. Αυτή η συμπεριφορά είναι κανονική.
Ο φούρνος ξεκίνησε να λειτουργεί κενός κατά λάθος.	Ο φούρνος δεν πρέπει να λειτουργεί όταν είναι κενός. Είναι πολύ επικίνδυνο.

Πρόβλημα	Πιθανή αιτία	Διόρθωση
Ο φούρνος δεν ξεκινάει τη λειτουργία του.	(1) Το καλώδιο δεν είναι συνδεδεμένο σωστά στην πρίζα.	Αποσυνδέστε το καλώδιο από την πρίζα. Μετά από περίπου 10 δευτερόλεπτα, συνδέστε ξανά το καλώδιο στην πρίζα.
	(2) Καμμένη ή «πεσμένη» ασφάλεια κυκλώματος.	Αντικαταστήστε ή ενεργοποιήστε την ασφάλεια κυκλώματος (απαιτείται επισκευή από τεχνικό της εταιρείας μας).
	(3) Πρόβλημα με την πρίζα.	Δοκιμάστε να συνδέσετε μια άλλη ηλεκτρική συσκευή στην πρίζα.
Ο φούρνος δεν θερμαίνει.	(4) Η πόρτα δεν έχει κλείσει σωστά.	Κλείστε σωστά την πόρτα.
Το πλάτο παράγει θορύβους κατά τη λειτουργία του φούρνου μικροκυμάτων.	(5) Το πλάτο ή η κάτω επιφάνεια του φούρνου είναι βρόμικη.	Καθαρίστε τον φούρνο σύμφωνα με τις οδηγίες στο κεφάλαιο «Καθαρισμός».

ΤΕΧΝΙΚΑ ΣΤΟΙΧΕΙΑ

Όγκος:	20 l	Ονομαστική τάση:	230-240 V~ 50 Hz
Ισχύς μαγειρέματος:	700 W	Ονομαστική είσοδος ισχύος:	1.200 W
Χρονοδιακόπτης:	30 λεπτά	Συχνότητα λειτουργίας:	2.450 MHz
Ρύθμιση ισχύος:	5 επίπεδα	Επίπεδο θορύβου:	55 dB
Πλάτο:	Ø 245 χιλ.	Γκριλ:	900 W
Βάρος:	11,3 κιλά		
Διαστάσεις:	452 × 262 × 364 χιλ.		
Διαστάσεις εσωτερικού:	315 × 198 × 297 χιλ.		

ΧΡΗΣΗ ΚΑΙ ΑΠΟΡΡΙΨΗ ΑΠΟΒΛΗΤΩΝ

Χαρτί περιτυλίγματος και αυλακωτό χαρτόνι – παραδώστε σε σημείο ανακύκλωσης. Μεμβράνη συσκευασίας, σακούλες PE, πλαστικά στοιχεία – πετάξτε σε κάδους ανακύκλωσης πλαστικών.

ΑΠΟΡΡΙΨΗ ΠΡΟΪΟΝΤΩΝ ΣΤΟ ΤΕΛΟΣ ΤΗΣ ΖΩΗΣ ΤΟΥΣ

Απόρριψη ηλεκτρικού και ηλεκτρονικού εξοπλισμού (ισχύει σε χώρες μέλη της ΕΕ και άλλες ευρωπαϊκές χώρες που εφαρμόζουν σύστημα ανακύκλωσης)

Το απεικονιζόμενο σύμβολο στο προϊόν ή στη συσκευασία σημαίνει ότι το προϊόν δεν πρέπει να αντιμετωπίζεται ως σύνηθες οικιακό απόβλητο. Παραδώστε το προϊόν στο προβλεπόμενο σημείο για την ανακύκλωση ηλεκτρικού και ηλεκτρονικού εξοπλισμού. Αποτρέψτε τις αρνητικές επιπτώσεις στην ανθρώπινη υγεία και στο περιβάλλον ανακυκλώνοντας σωστά το προϊόν σας. Η ανακύκλωση συμβάλλει στη διατήρηση των φυσικών πόρων. Για περισσότερες πληροφορίες σχετικά με την ανακύκλωση αυτού του προϊόντος, επικοινωνήστε με τις τοπικές αρχές, τον τοπικό οργανισμό επεξεργασίας απορριμμάτων ή το κατάστημα από το οποίο αγοράσατε το προϊόν.

Αυτό το προϊόν συμμορφώνεται με τις απαιτήσεις της ΕΕ σχετικά με την ηλεκτρομαγνητική συμβατότητα και την ηλεκτρική ασφάλεια.

Το εγχειρίδιο οδηγιών είναι διαθέσιμο στην τοποθεσία Web www.ecg-electro.eu.

Με την επιφύλαξη αλλαγών στο κείμενο και στις τεχνικές παραμέτρους.



08/05



www.ecg-electro.eu

Deutsch

K+B Progres, a.s./AG.
Barbaraweg 2, DE-93413 Cham
Bei Beschwerden rufen Sie die Telefonnummer
09971/4000-6080 an. (Mo – Fr 9:00 – 16:00)

Čeština

K+B Progres, a.s.
U Expertu 91
250 69 Klíčany
tel.: +420 272 122 111
e-mail: ECG@kbexpert.cz

Eesti keel

K+B Progres, a.s.
U Expertu 91
250 69 Klíčany, Czech Rep.
tel.: +420 272 122 111
e-post: ECG@kbexpert.cz

Español

K+B Progres, a.s.
U Expertu 91
250 69 Klíčany, Czech Rep.
tel.: +44 776 128 6651 (English)
e-mail: ECG@kbexpert.cz

Français

K+B Progres, a.s.
U Expertu 91
250 69 Klíčany, Czech Rep.
tél: +44 776 128 6651 (English)
e-mail: ECG@kbexpert.cz

Hrvatski

K+B Progres, a.s.
U Expertu 91
250 69 Klíčany, Czech Rep.
tel.: +420 272 122 111
e-mail: informacije@kbprogres.cz

Bosanski

K+B Progres, a.s.
U Expertu 91
250 69 Klíčany, Czech Rep.
tel.: +420 272 122 111
e-mail: informacije@kbprogres.cz

Italiano

K+B Progres, a.s.
U Expertu 91
250 69 Klíčany, Czech Rep.
tel.: +44 776 128 6651 (English)
e-mail: ECG@kbexpert.cz

Latviešu valoda

K+B Progres, a.s.
U Expertu 91
250 69 Klíčany, Czech Rep.
tel.: +420 272 122 111
e-pasts: ECG@kbexpert.cz

Lietuvių kalba

K+B Progres, a.s.
U Expertu 91
250 69 Klíčany, Czech Rep.
tel.: +420 272 122 111
el. paštas: ECG@kbexpert.cz

Magyar

K+B Progres, a.s.
U Expertu 91
250 69 Klíčany, Czech Rep.
tel.: +420 272 122 111
e-mail: ECG@kbexpert.cz

Polski

K+B Progres, a.s.
U Expertu 91
250 69 Klíčany, Czech Rep.
tel.: +420 272 122 111
e-mail: ECG@kbexpert.cz

Slovenčina

Distribútor pre SR: K+B Progres, a. s., organizačná zložka
Mlynské Nivy 71
821 05 Bratislava
e-mail: ECG@kbexpert.cz

Slovenščina

K+B Progres, a.s.
U Expertu 91
250 69 Klíčany, Czech Rep.
tel.: +420 272 122 111
e-mail: informacije@kbprogres.cz

Srpski

K+B Progres, a.s.
U Expertu 91
250 69 Klíčany, Czech Rep.
tel.: +420 272 122 111
e-pošta: informacije@kbprogres.cz

Crnogorski

K+B Progres, a.s.
U Expertu 91
250 69 Klíčany, Czech Rep.
tel.: +420 272 122 111
e-pošta: informacije@kbprogres.cz

Ελληνικά

K+B Progres, a.s.
U Expertu 91
250 69 Klíčany, Δημοκρατία της Τσεχίας
τηλ.: +420 272 122 111
e-mail: ECG@kbexpert.cz

■ The manufacturer takes no responsibility for printing errors contained in the product's user's manual. ■ Der Importeur haftet nicht für Druckfehler in der Bedienungsanleitung des Produkts. ■ Výrobce neručí za tiskové chyby obsažené v návodu k použití výrobku. ■ Tootja ei vastuta toote kasutusjuhendis leiduvate trükkivigade eest. ■ El fabricante no asume ninguna responsabilidad por errores de impresión en el manual del usuario del producto. ■ Le fabricant ne peut être tenu responsable des erreurs d'impression contenues dans le mode d'emploi du produit. ■ Proizvođač ne snosi odgovornost za tiskarske greške u uputama. ■ Il produttore non sarà ritenuto responsabile per eventuali errori di stampa contenuti nel manuale d'uso del prodotto. ■ Ražotājs neuzņemas atbildību par drukas kļūdām ierīces rokasgrāmatā. ■ Gamintojas neapsiima atsakomybės dėl spausdinimo klaidų, pasitaikančių gaminio naudojimo vadove. ■ A gyártó nem felel a termék használati útmutatójában fellelhető nyomdahibákért. ■ Producent nie ponosi odpowiedzialności za błędy drukarskie w instrukcji obsługi produktu. ■ Dovozca neručí za tiskové chyby obsiahnuté v návode na použitie výrobku. ■ Proizvajalec ne jamči za morebitne tiskovne napake v navodilih za uporabo izdelka. ■ Proizvođač ne preuzima nikakvu odgovornost za štamparske greške sadržane u uputstvu za upotrebu proizvoda. ■ Ο κατασκευαστής δεν φέρει καμία ευθύνη για τα τυπογραφικά σφάλματα που περιέχονται στο χειρίδιο χρήστη του προϊόντος.