

**Tribesigns**  
LITTLE TREE  
Assembly Instructions



**Model No. HOGA-JW0627**

Side Table

# Call us!

## We're here to help!

If you have any issues with this product, please contact our customer service team **before returning** it.



We want you to be completely satisfied with your purchase! If anything is missing, damaged, incorrect, or not what you expected, don't worry. Please keep the outer packaging and take photos of both the packaging and products, and then reach out to us at **support@tribesigns.com** or call us at **1-424-220-6888**. We'll take care of everything and send you a free replacement, so you can enjoy your purchase as soon as possible without any hassle.

### Assembly Instructions:

1. Carefully read these instructions and keep them for future reference.
2. Refer to the parts list for guidance and ensure that you have all the pieces before starting the assembly process, if anything is missing, damaged, incorrect, contact us **FIRSTLY BEFORE** assembling.
3. When assembling, place all parts on a soft, clean, and flat surface, such as a carpet, to prevent any scratches.
4. To avoid misalignment of the holes, Please don't full tighten the screws until you ensure all parts in place.

---

### Follow Tribesign:



Facebook



Twitter



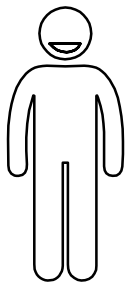
Pinterest



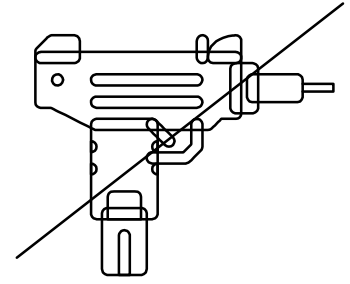
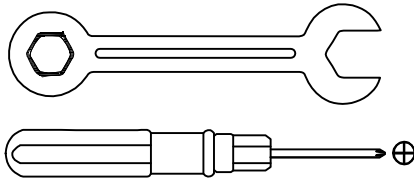
YouTube



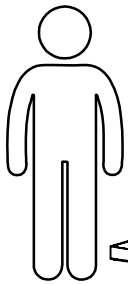
Instagram



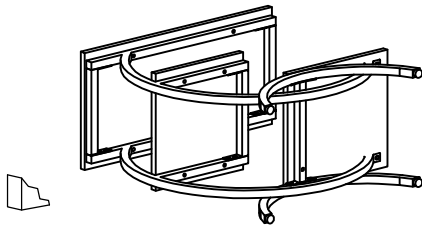
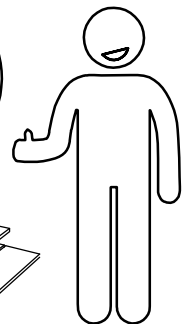
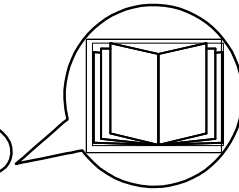
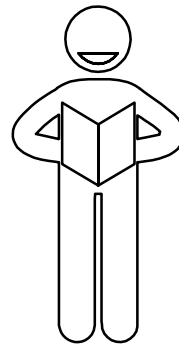
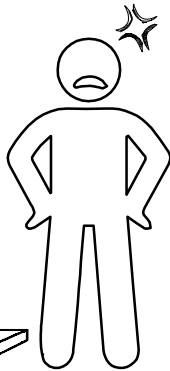
**X2**



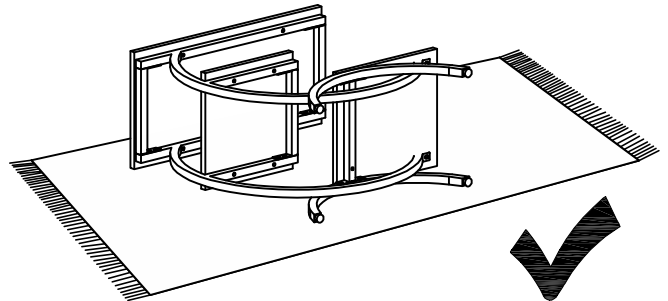
When using the electric screwdriver ,  
Reduce the power and torque to avoid damaging the furniture



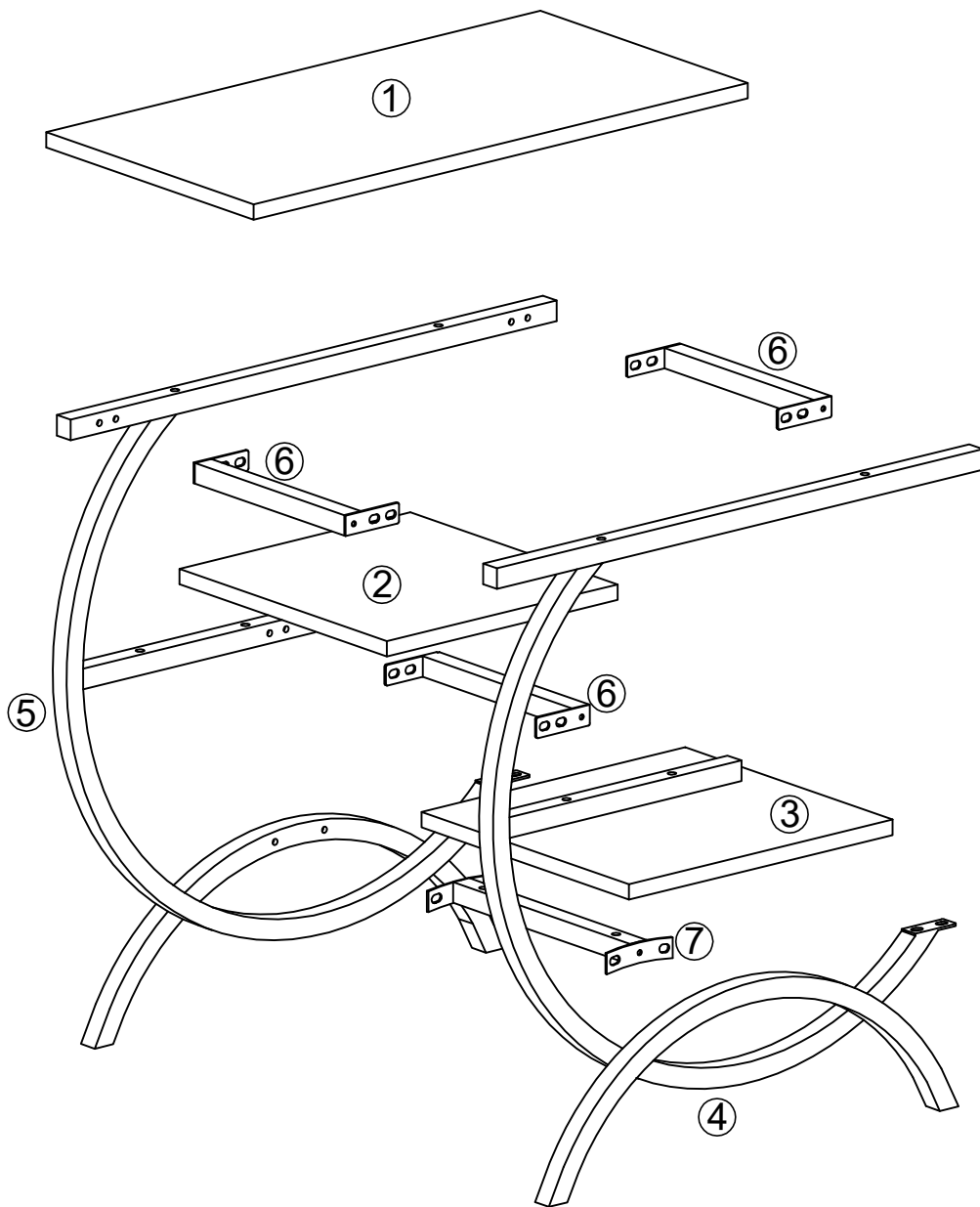
?



**X**



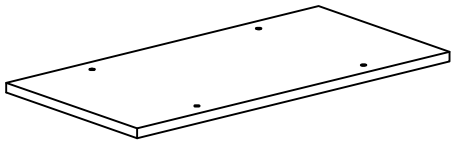
**✓**



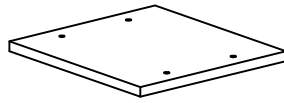
**⚠ Caution**

Make sure all parts are included. Most board parts are labeled or stamped on the raw edge. Contact us for free replacement if having damaged or missing parts.

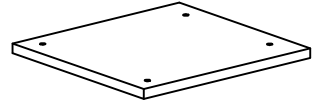
## Parts & Hardware List



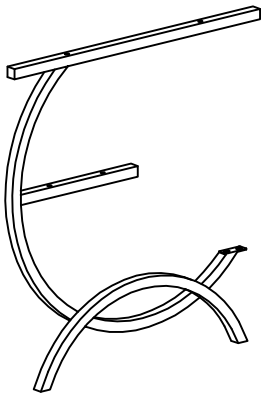
① 1pc



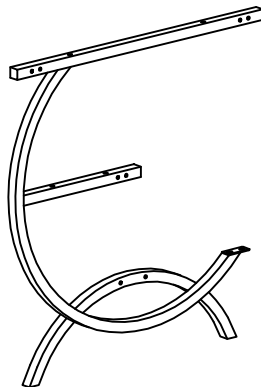
② 1pc



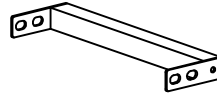
③ 1pc



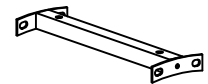
④ 1pc



⑤ 1pc



⑥ 3pc



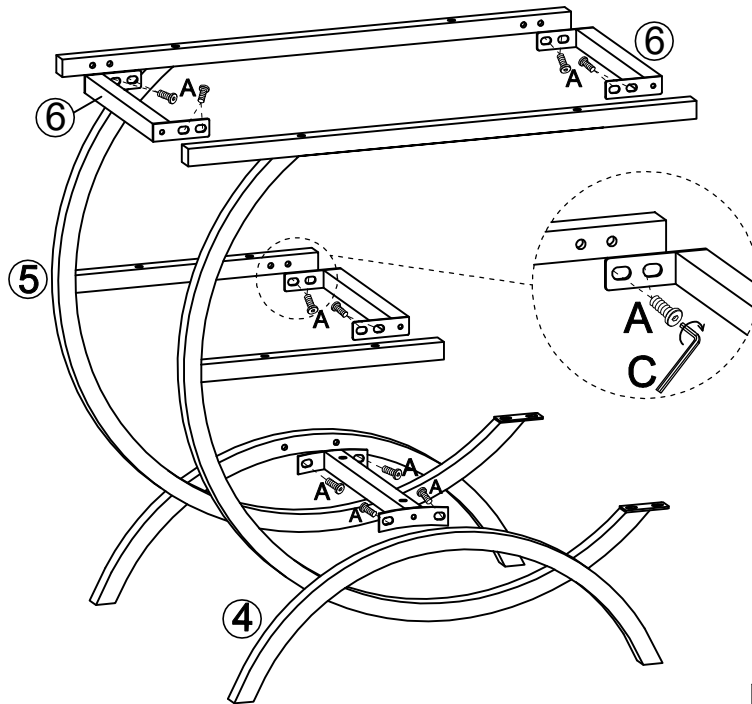
⑦ 1pc

## Hardware List

A	X18+1	B	X10+1	C	X1	D	X4
M6X12mm		M6X30mm		M4X55mm		M6XØ20mm	

1

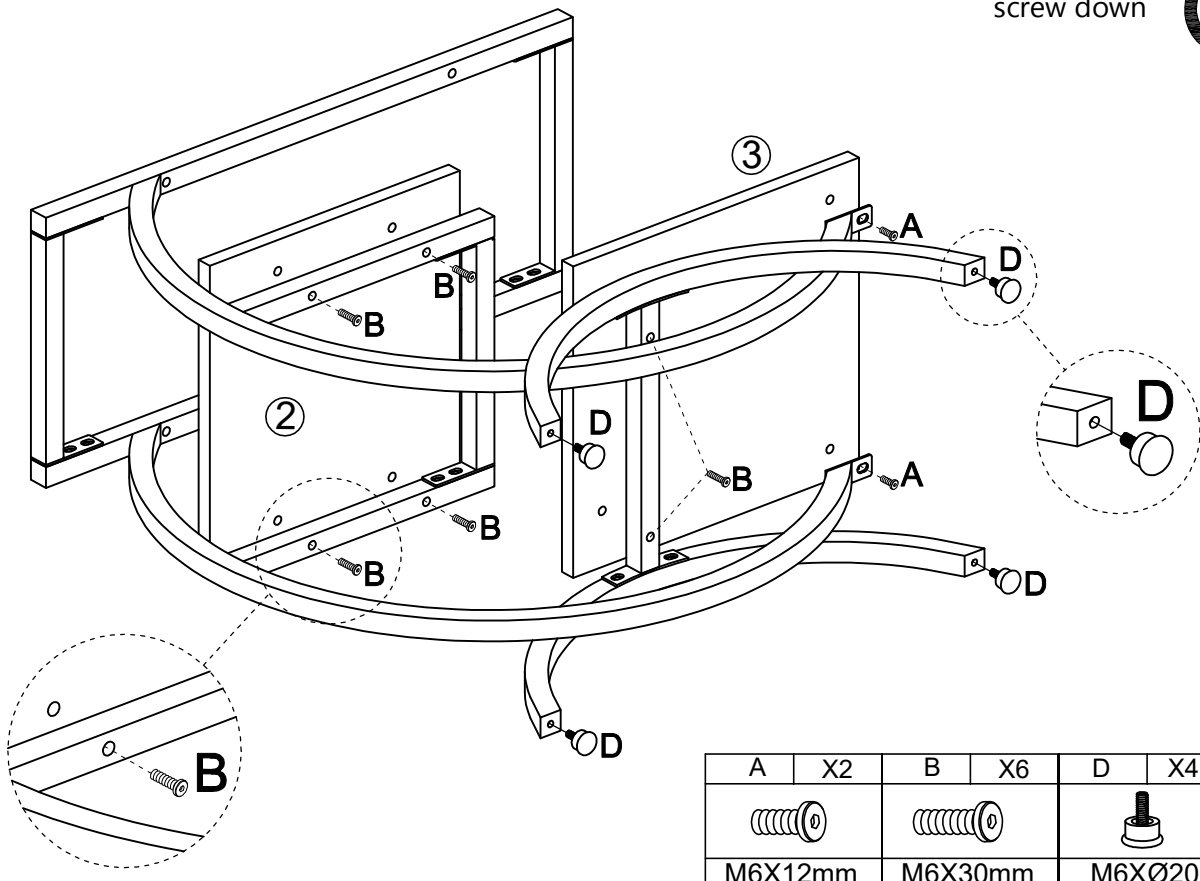
pre-drill 70%



A	X16	C	X1
M6X12mm		M4X55mm	

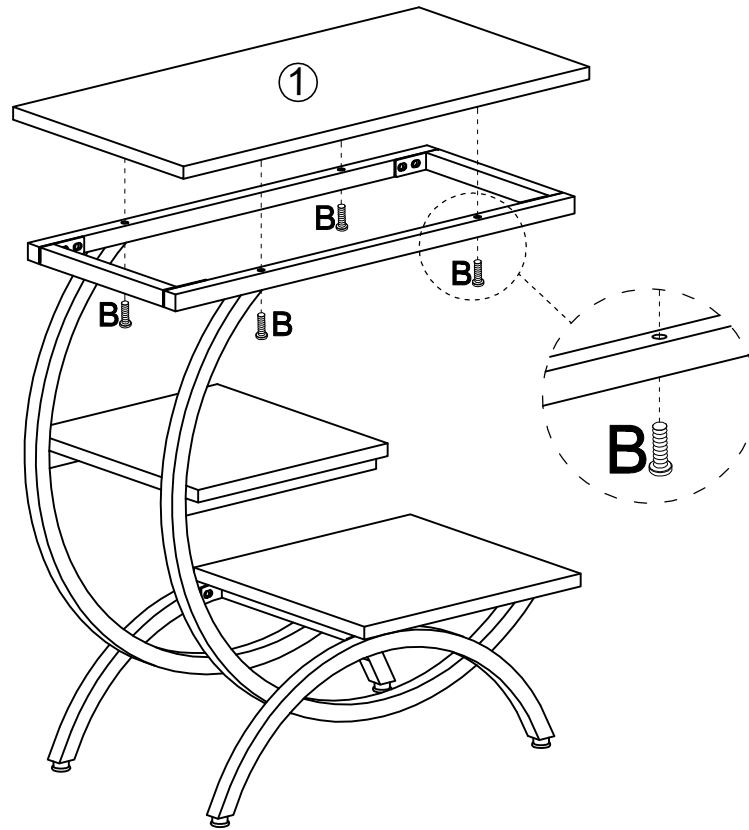
2

screw down

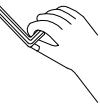


A	X2	B	X6	D	X4
M6X12mm		M6X30mm		M6XØ20	

3



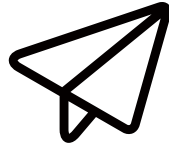
screw down



B	X4
M6X30mm	

4





# No heartburn, when we handle the return

---

## Our way

---

 support@tribesigns.com


 Replacement/Refund


 You

---

## Their way

---

 Re-package item

 Schedule pick-up

 Track package

 Replacement

 You

---

Contact our customer service team



**support@tribesigns.com**  
**www.tribesigns.com**



**1-424-220-6888**