
 Declaration of Conformity

We, Harman Consumer Group, Inc.
 2, route de Tours
 72500 Château du Loir
 France

declare in own responsibility that the products described in this owner's manual
 are in compliance with technical standards:

EN 61000-6-3:2001
 EN 61000-6-1:2001

Klaus Leberer
 Harman Consumer Group, Inc.
 Château du Loir, France 11/07



A valid serial number is required for warranty coverage.
 Features, specifications and appearance are subject to change without notice.
 This product is designed for mobile applications and is not intended for connection to the mains.
 Harman Consumer Group, Inc. • 2 route de Tours, 72500 Château du Loir, France • www.jbl.com
 © 2007 Harman International Industries, Incorporated. All rights reserved. Part No. GT5ENCOM11/07
 JBL and Grand Touring are trademarks of Harman International Industries, Incorporated.
 registered in the United States and/or other countries.

WARRANTY
 GT5 enclosures are warranted against defects. The duration of the enclosure's warranty depends on the laws in the country in which it was purchased. Your local JBL car audio retailer can help you determine the length of your warranty. To register your product, please visit us at www.jbl.com.

GENERAL CARE

The loudspeaker may be cleaned with a damp cloth. Do not use any cleaners or solvents on the grilles or the speaker cones.

GT5-1204BP	GT5-2402BR	GT5-1204BR
Power Handling, RMS	275W	275W
Power Handling, Peak	550W	1100W
Frequency Response	1600W	1100W
Impedance	40Hz - 200Hz	45Hz - 150Hz
	4 Ohms	4 Ohms

SPECIFICATIONS



THE OFFICIAL BRAND OF LIVE MUSIC.

Designed and Engineered in the USA

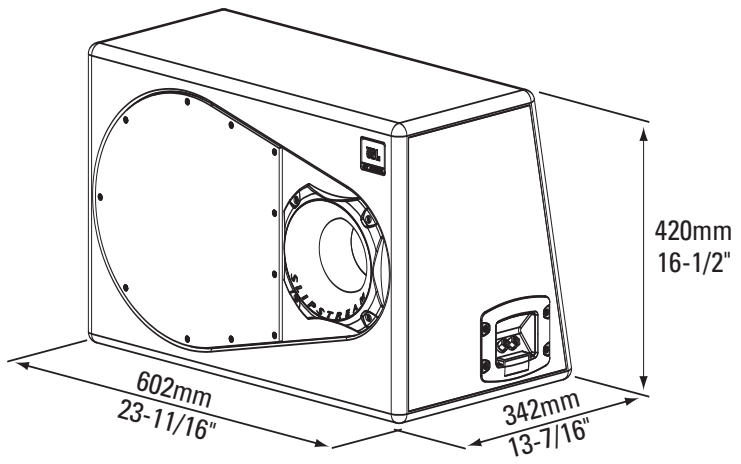
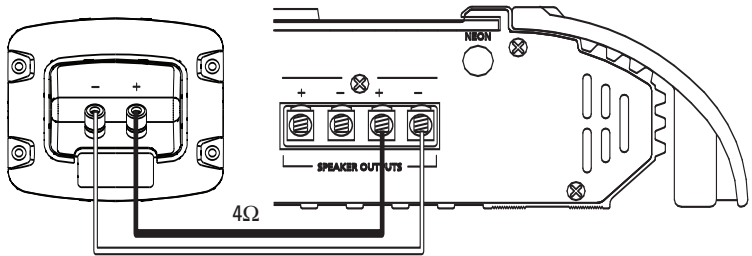
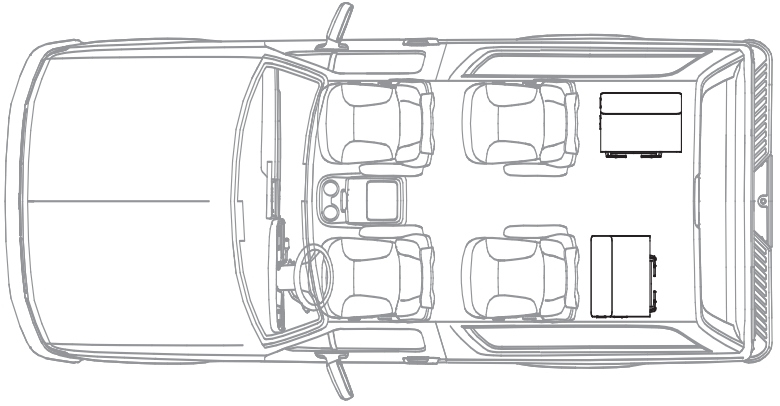
GRAND TOURING[®] SERIES

- GT5-1204BP**
- GT5-2402BR**
- GT5-1204BR**

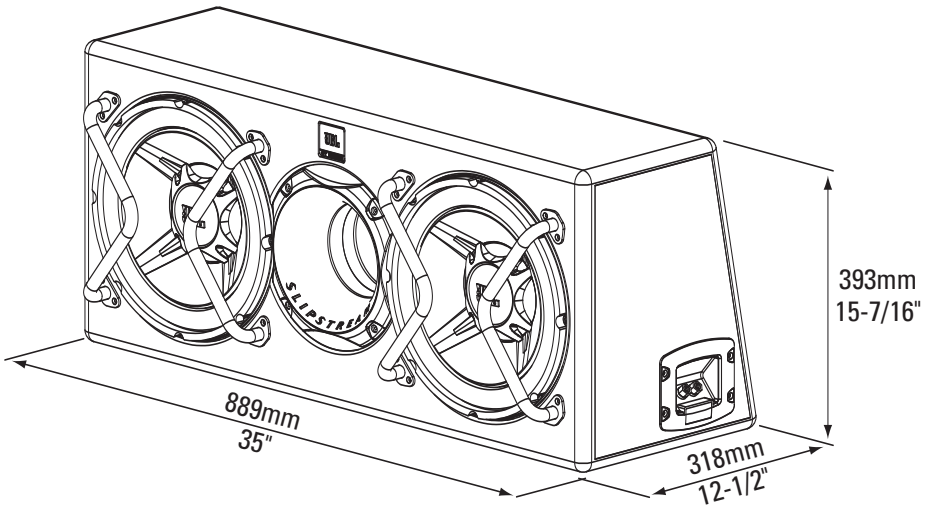
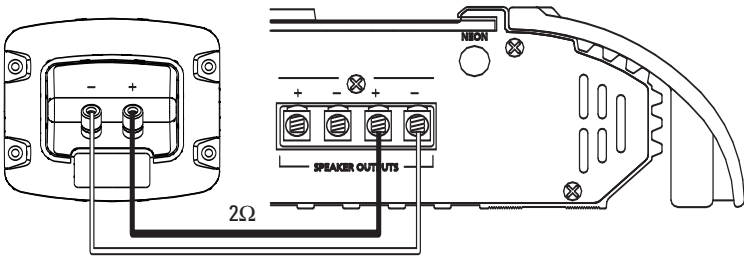
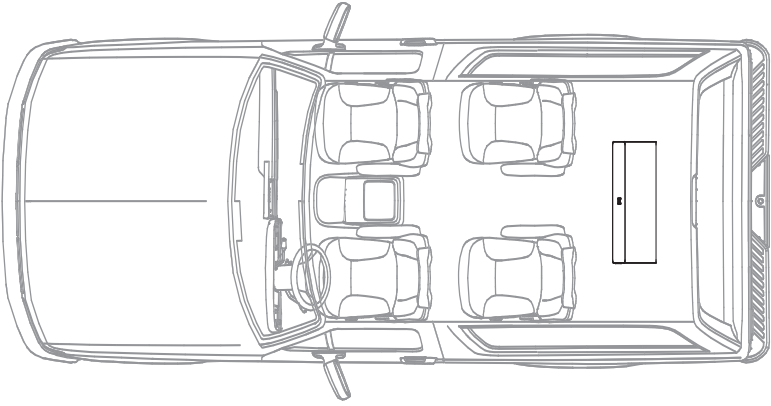
subwoofer enclosures
owner's manual



GT5-1204BP



GT5-2402BR



GT5-1204BR

