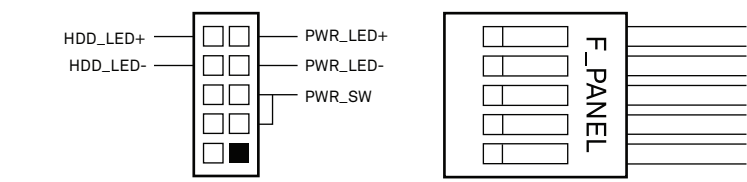




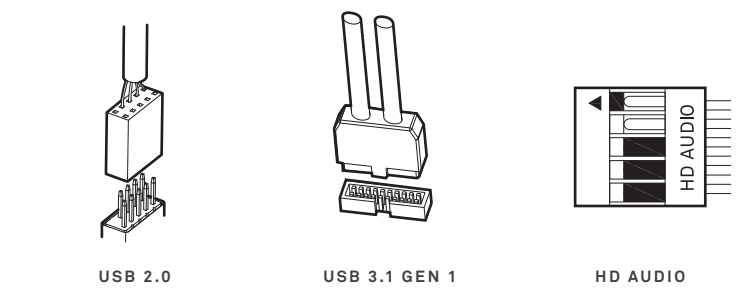


## CABLE CONNECTIONS

DISCO DE ADMINISTRACIÓN DE CABLES  
CONNEXIONS DE CABLES  
KABELVERBINDUNGEN  
COLLEGAMENTI DEI CAVI  
LIGAÇÕES DE CABOS  
ПОДКЛЮЧЕНИЕ КАБЕЛЕЙ  
케이블 연결  
ケーブル接続  
線路连接  
線路連接



FRONT PANEL CONNECTOR



USB 2.0

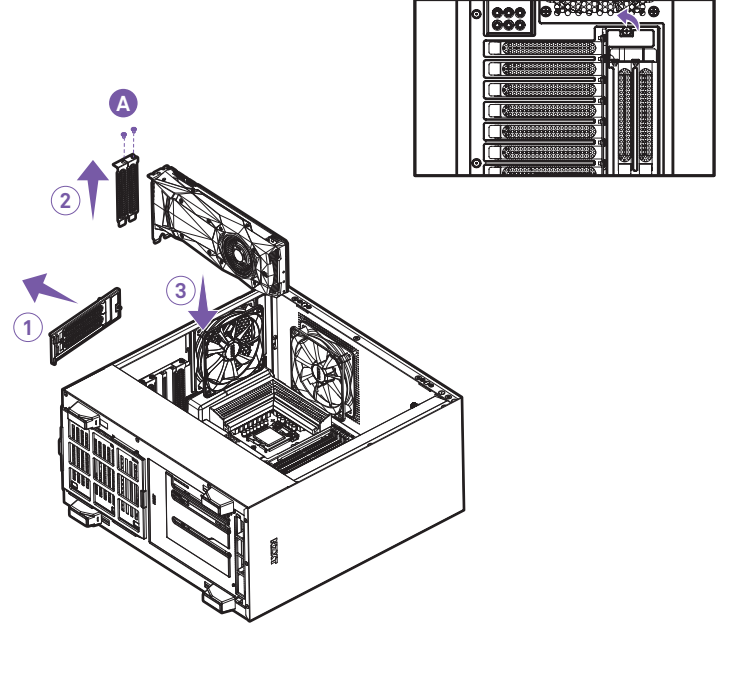
USB 3.1 GEN 1

HD AUDIO

## EXPANSION CARD INSTALLATION

INSTALCIÓN DE LA TARJETA DE EXPANSIÓN  
INSTALLATION DE LA CARTE D'EXTENSION  
INSTALLATION DER ERWEITERUNGSKARTE  
INSTALLAZIONE DELLA SCHEDA D'ESPANSIONE  
INSTALAÇÃO DA PLACA DE EXPANSÃO  
УСТАНОВКА ПЛАТЫ РАСШИРЕНИЯ  
확장 카드 설치  
拡張カードの装着  
擴充卡安裝  
擴充卡安裝

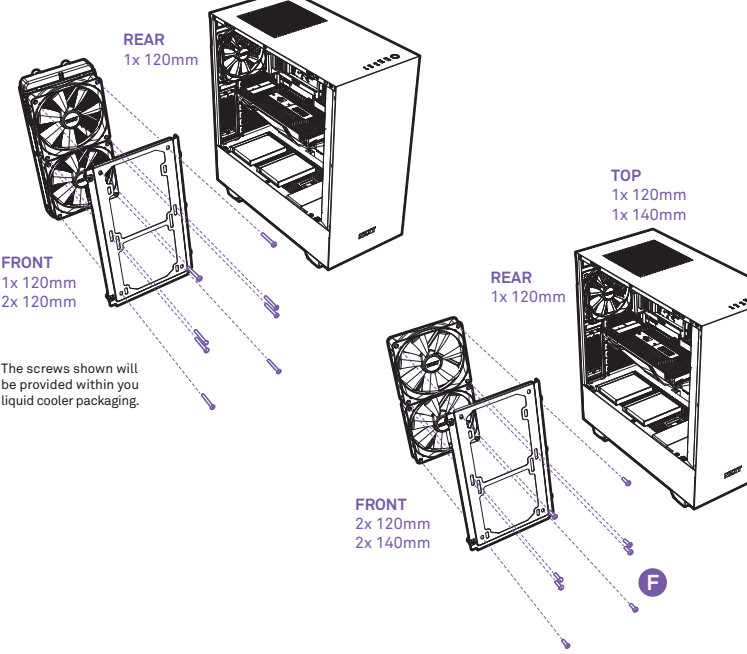
### HORIZONTAL GPU MOUNT



## FAN AND RADIATOR SUPPORT

COMPATIBILIDAD DE VENTILADORES Y RADIADORES  
PRISE EN CHARGE DES RADIATEURS ET VENTILATEURS  
LÜFTER- UND KÜHLER-UNTERSTÜTZUNG  
SUPPORTO VENTOLE E RADIATORE  
SUPPORTO PARA VENTONHA E A RADIADOR  
СОВМЕСТИМЫЕ РАДИАТОР И ВЕНТИЛЯТОР  
팬 및 라디에이터 지원  
対応ファンおよびラジエータ  
風扇和散热器支持  
風扇和散热器支持

### RADIATOR MODE



The screws shown will be provided within your liquid cooler packaging.

FRONT

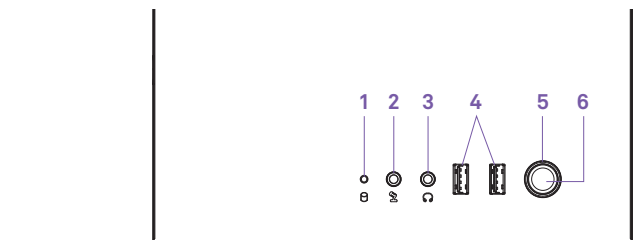
REAR

FRONT

REAR

## BUTTONS AND I/O

BOTONES Y E/S  
BOUTTONS ET E/S  
TASTEN UND E/A  
PULSANTI E I/O  
BOTÕES E E/S  
КНОПКИ И РАЗЪЕМЫ ВВОДА/ВЫВОДА  
버튼 및 I/O  
ボタンおよび I/O  
按钮和 I/O  
按钮和 I/O



1. HDD LED	1. LED HDD	1. HDD LED
2. Microphone Input	2. Ingresso microfono	2. 마이크
3. HD Audio Output	3. Uscita audio HD	3. HD 오디오 출력
4. USB 3.1 Gen 1	4. USB 3.1 Gen 1	4. USB 3.1 Gen 1
5. Power LED	5. LED alimentazione	5. 파워LED
6. Power switch	6. Interruttore d'alimentazione	6. 전원 스위치

1. LED de unidad de disco duro	1. LED de HDD	1. HDD LED
2. Entrada de microfono	2. Entrada para microfone	2. 마이크 입력
3. Salida de audio HD	3. Salida de audio HD	3. HD 오디오 출력
4. USB 3.1 Gen 1	4. USB 3.1 Gen 1	4. USB 3.1 Gen 1
5. LED de alimentación	5. LED de alimentação	5. 전원LED
6. Interruptor de encendido	6. Interruptor de alimentação	6. 전원키

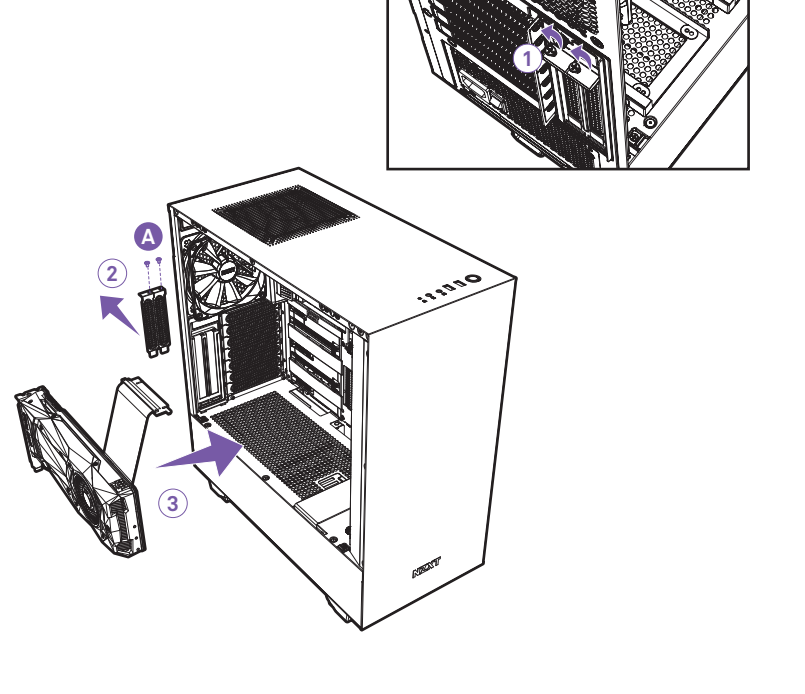
  

1. Témoin disque dur	1. Индикатор жесткого диска	1. HDD LED
2. Entrée micro	2. Разъем для подключения микрофона	2. 마이크 입력
3. Sortie audio HD	3. Звуковой выход HD	3. HD 오디오 출력
4. USB 3.1 Gen 1	4. USB 3.1 Gen 1	4. USB 3.1 Gen 1
5. Témoin d'alimentation	5. Индикатор питания	5. 전원LED
6. Interrupteur marche/arrêt	6. Выключатель питания	6. 전원키

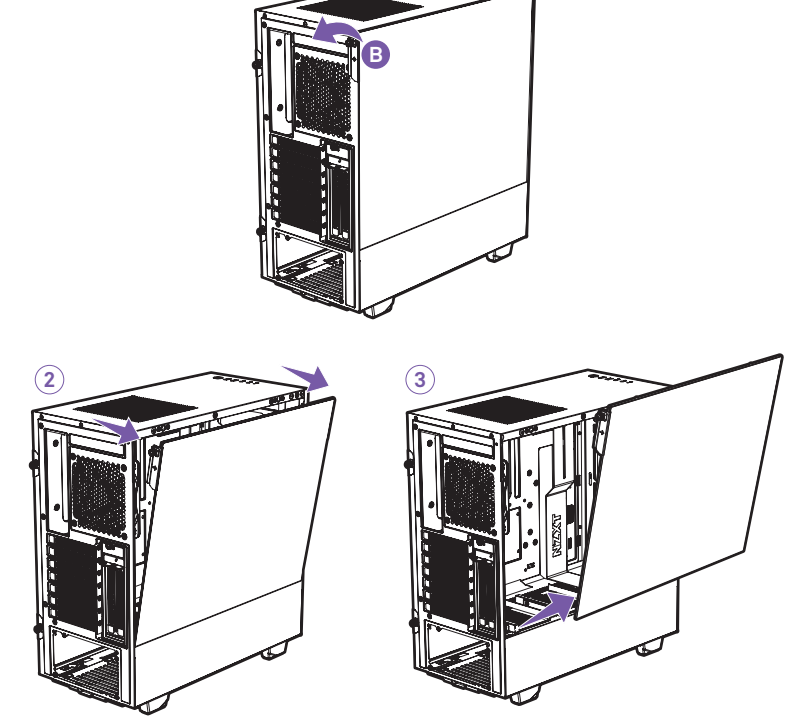
1. Festplatten-LED	1. HDD LED	1. HDD LED
2. Mikrofoneingang	2. 마이크 입력	2. 마이크 입력
3. HD-Audioausgang	3. HD 오디오 출력	3. HD 오디오 출력
4. USB 3.1 Gen 1	4. USB 3.1 Gen 1	4. USB 3.1 Gen 1
5. Betriebs-LED	5. 전원 LED	5. 전원LED
6. Netzschalter	6. 전원 스위치	6. 전원키

### VERTICAL GPU MOUNT



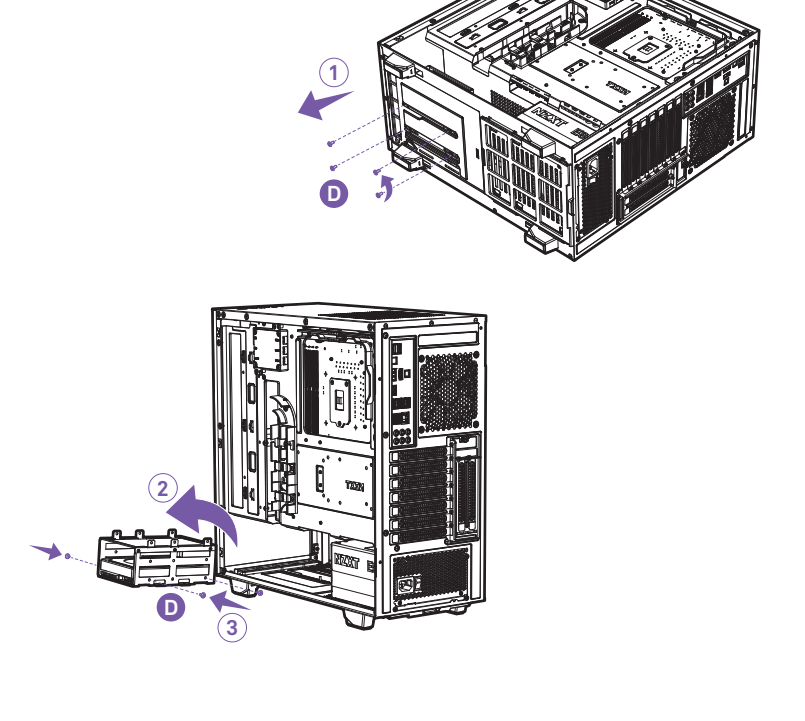
## PANEL REMOVAL

EXTRACCIÓN DE PANEL  
RETRAIT DU PANNEAU  
BLENDE ENTFERNEN  
RIMOZIONE DEL PANNELLO  
REMOÇÃO DOS PAINÉIS  
СНЯТИЕ ПАНЕЛИ  
面板拆卸  
パネルの取り外し  
卸下面板  
移除面板



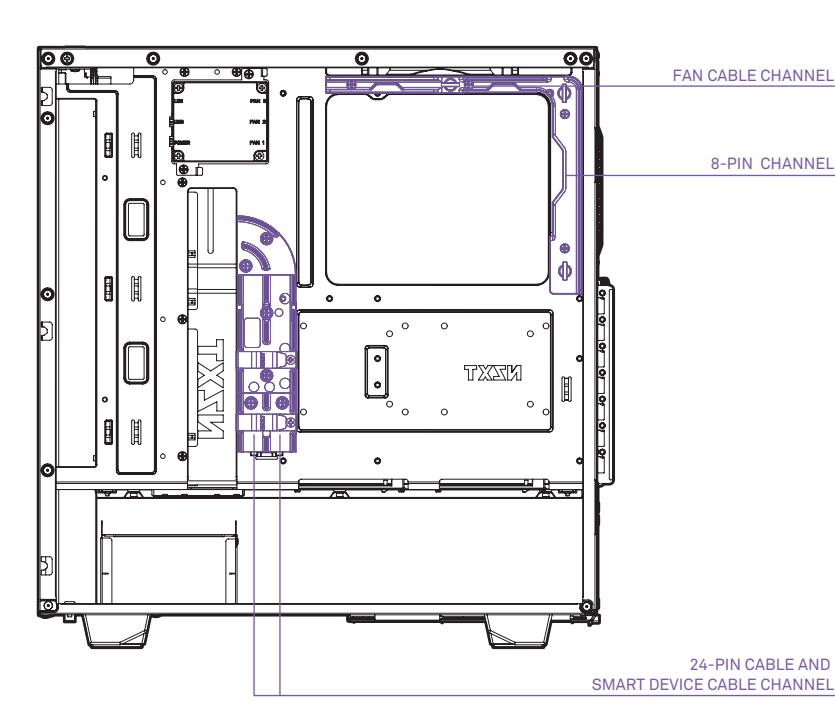
## HDD DRIVE INSTALLATION

INSTALCIÓN DE LA UNIDAD DE DISCO DURO  
INSTALLATION DE LECTEUR HDD  
HDD-LAUFWERKSINSTALLATION  
INSTALLAZIONE DELL'UNITÀ HDD  
INSTALAÇÃO DA PLACA DE EXPANSÃO  
УСТАНОВКА ЖЕСТКОГО ДИСКА  
HDD 드라이브 설치  
HDD 裝置  
HDD 驱动器安裝  
硬盤安裝



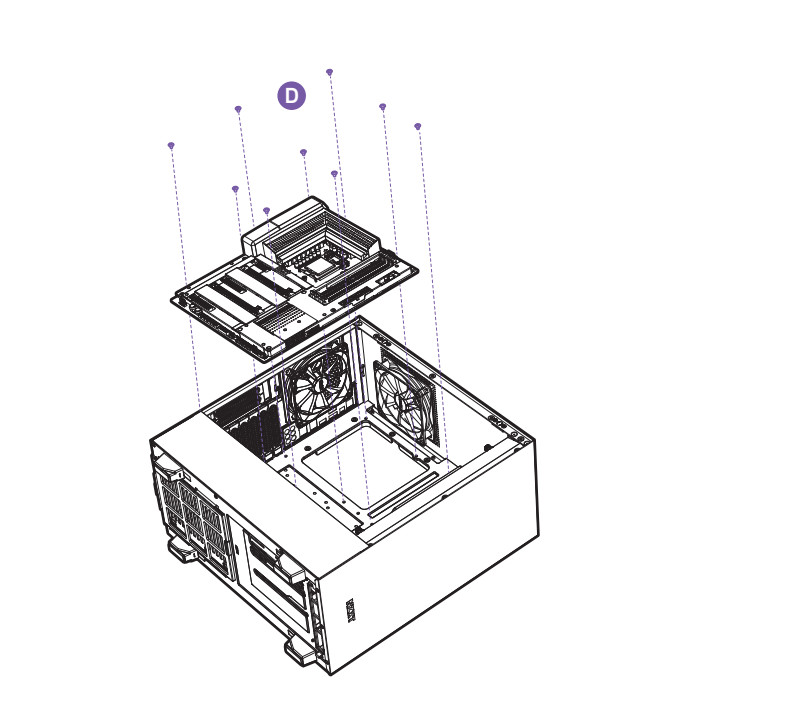
## CABLE MANAGEMENT SYSTEM

SISTEMA DE GESTIÓN DE CABLES  
SYSTEME DE CABLAGE  
KABELMANAGEMENTSYSTEM  
SISTEMA DE GESTIONE DEI CAVI  
SISTEMA DE GERENCIAMENTO DE CABOS  
СИСТЕМА ПРОКЛАДКИ КАБЕЛЕЙ  
케이블 관리 시스템  
ケーブルマネジメントシステム  
理線管理系統  
繫線管理系統



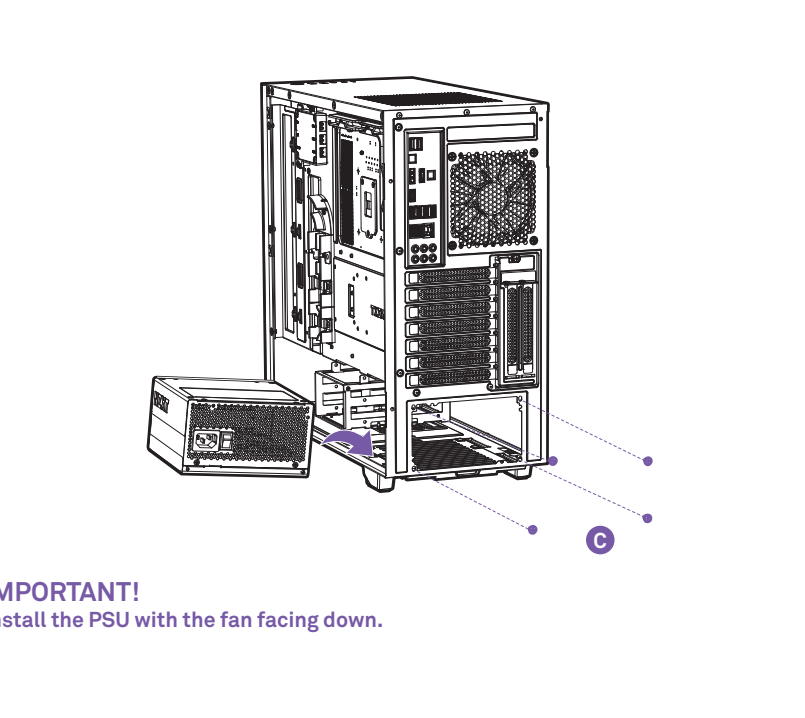
## MOTHERBOARD INSTALLATION

INSTALCIÓN DE LA PLACA BASE  
INSTALLATION DE LA CARTE MÈRE  
INSTALLATION DER HAUPTPLATINE  
INSTALLAZIONE DELLA SCHEDA MADRE  
INSTALAÇÃO DA PLACA PRINCIPAL  
УСТАНОВКА СИСТЕМНОЙ ПЛАТЫ  
마더보드 설치  
マザーボードの装着  
主板安裝  
主機板安裝



## POWER SUPPLY INSTALLATION

INSTALCIÓN DE LA FUENTE DE ALIMENTACIÓN  
SUPPORT DE REFRIGÉRISSMENT LIQUIDE  
INSTALLATION DER STROMVERSORGUNG  
INSTALLAZIONE DELL'ALIMENTATORE  
INSTALAÇÃO DA FONTE DE ALIMENTAÇÃO  
УСТАНОВКА ИСТОЧНИКА ПИТАНИЯ  
전원공급장치 설치  
電源の装置  
電源安裝  
電源安裝



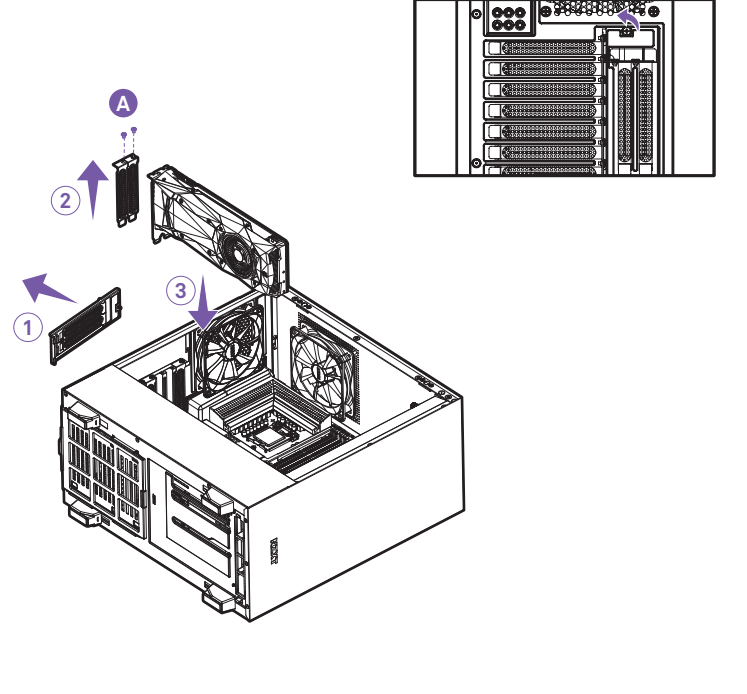
## IMPORTANT!

Install the PSU with the fan facing down.

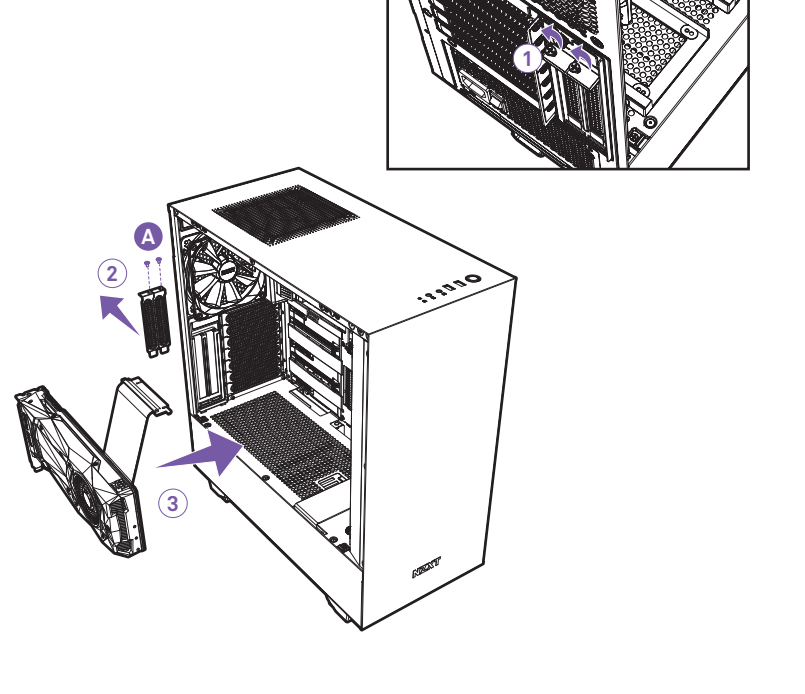
## EXPANSION CARD INSTALLATION

INSTALCIÓN DE LA TARJETA DE EXPANSIÓN  
INSTALLATION DE LA CARTE D'EXTENSION  
INSTALLATION DER ERWEITERUNGSKARTE  
INSTALLAZIONE DELLA SCHEDA D'ESPANSIONE  
INSTALAÇÃO DA PLACA DE EXPANSÃO  
УСТАНОВКА ПЛАТЫ РАСШИРЕНИЯ  
확장 카드 설치  
拡張カードの装着  
擴充卡安裝  
擴充卡安裝

### HORIZONTAL GPU MOUNT

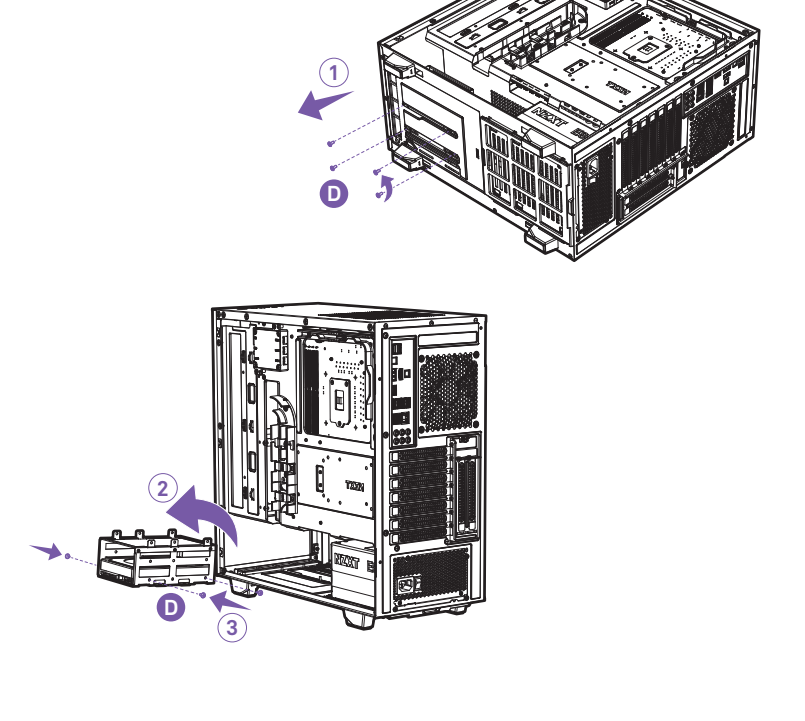


### VERTICAL GPU MOUNT



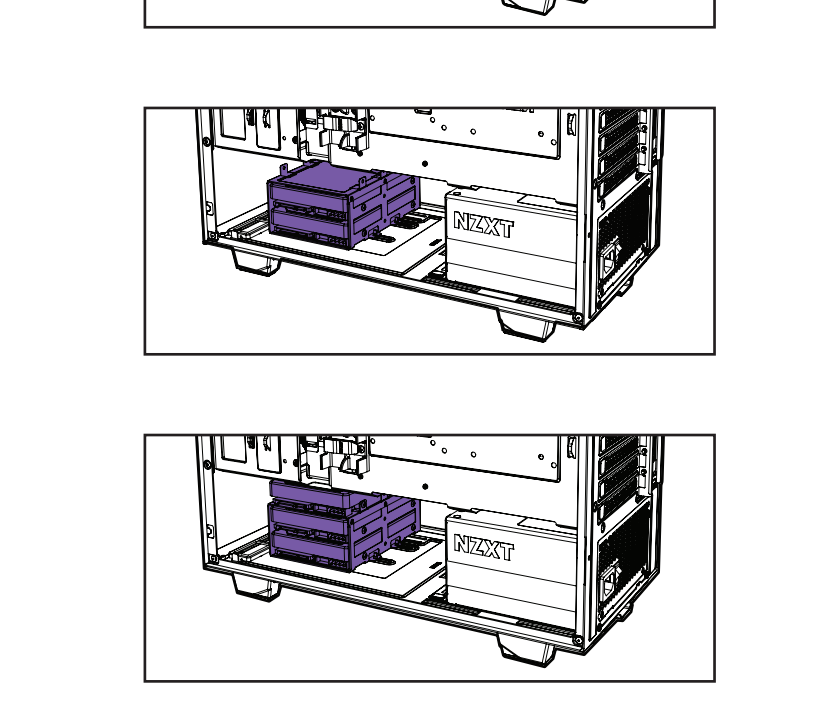
## HDD DRIVE INSTALLATION

INSTALCIÓN DE LA UNIDAD DE DISCO DURO  
INSTALLATION DE LECTEUR HDD  
HDD-LAUFWERKSINSTALLATION  
INSTALLAZIONE DELL'UNITÀ HDD  
INSTALAÇÃO DA PLACA DE EXPANSÃO  
УСТАНОВКА ЖЕСТКОГО ДИСКА  
HDD 드라이브 설치  
HDD 裝置  
HDD 驱动器安裝  
硬盤安裝



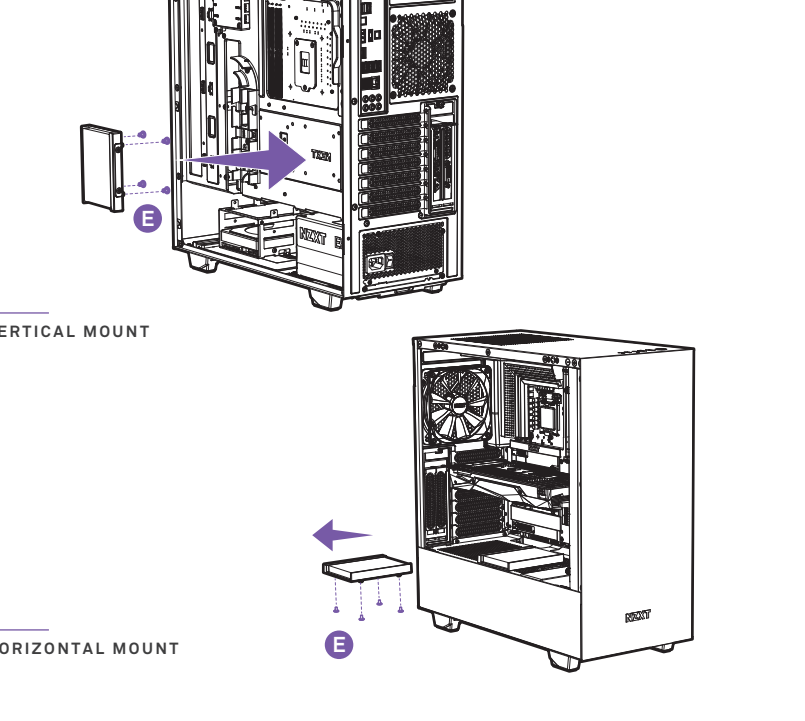
## CABLE MANAGEMENT SYSTEM

SISTEMA DE GESTIÓN DE CABLES  
SYSTEME DE CABLAGE  
KABELMANAGEMENTSYSTEM  
SISTEMA DE GESTIONE DEI CAVI  
SISTEMA DE GERENCIAMENTO DE CABOS  
СИСТЕМА ПРОКЛАДКИ КАБЕЛЕЙ  
케이블 관리 시스템  
ケーブルマネジメントシステム  
理線管理系統  
繫線管理系統



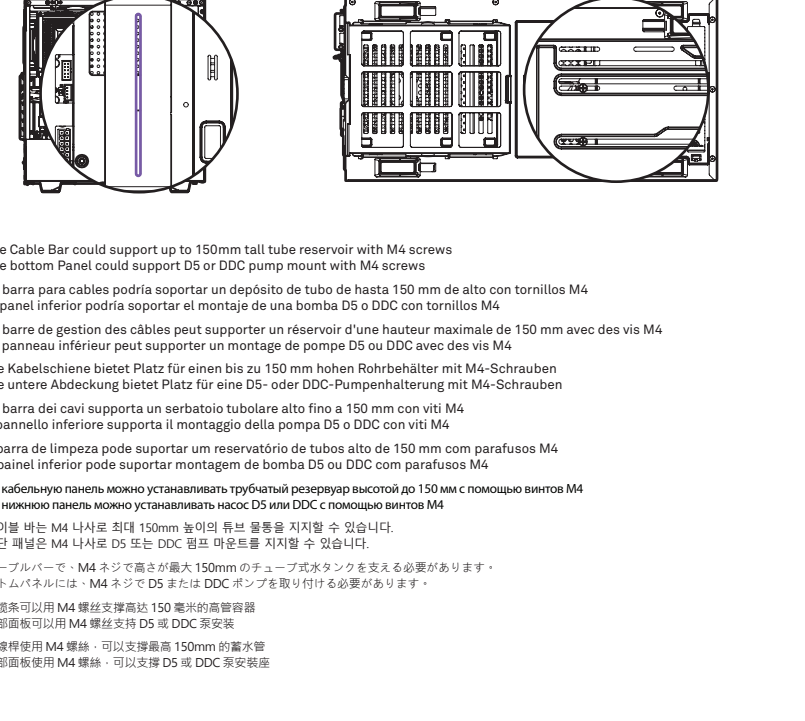
## SSD DRIVE INSTALLATION

INSTALCIÓN DE LA UNIDAD DE DISCO DE ESTADO SÓLIDO  
INSTALLATION DU DISQUE SSD  
SSD-LAUFWERKSINSTALLATION  
INSTALLAZIONE DELL'UNITÀ SSD  
INSTALAÇÃO DA PLACA DE EXPANSÃO  
УСТАНОВКА ТВЕРДОТЁЛОГО НАКОПИТЕЛЯ  
SSD 드라이브 브릿지 설치  
SSD 裝置  
SSD 驱动器安裝  
SSD 安裝



## DIY LIQUID COOLER SUPPORT

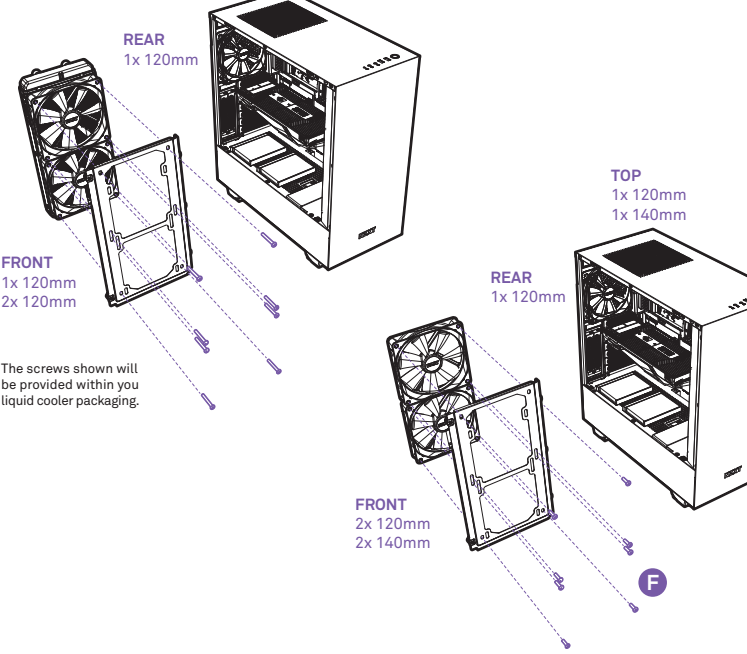
HAZLO TÚ MISMO: SOPORTE PARA REFRIGERADOR LÍQUIDO  
SUPPORT DE REFRIGÉRISSMENT LIQUIDE  
WASSERKÜHLUNG MARKE EIGENBAU  
SUPPORTO PER DISSIPATORE A LIQUIDO FAI-DA-TE  
SUPPORTO PER DISSIPATORE A LIQUIDO FAI-DA-TE  
УСТАНОВКА САМОСТОЯТЕЛЬНОЙ СБОРКИ ЖИДКОСТНОЙ СИСТЕМЫ ОХЛАЖДЕНИЯ  
DIY 수냉식 쿨링 지원  
水冷クーラー支持部の DIY  
DIY 液体冷却器支持  
DIY 水冷支援



## FAN AND RADIATOR SUPPORT

COMPATIBILIDAD DE VENTILADORES Y RADIADORES  
PRISE EN CHARGE DES RADIATEURS ET VENTILATEURS  
LÜFTER- UND KÜHLER-UNTERSTÜTZUNG  
SUPPORTO VENTOLE E RADIATORE  
SUPPORTO PARA VENTONHA E A RADIADOR  
СОВМЕСТИМЫЕ РАДИАТОР И ВЕНТИЛЯТОР  
팬 및 라디에이터 지원  
対応ファンおよびラジエータ  
風扇和散热器支持  
風扇和散热器支持

### RADIATOR MODE



The screws shown will be provided within your liquid cooler packaging.

FRONT

REAR

FRONT

REAR

## HAZARDOUS SUBSTANCES

有毒有害物質及元素

Part Name / 部件名称	Lead (Pb) 鉛	Mercury (Hg) 汞	Calcium (Cd) 鎘	Hexavalent Chromium (Cr(VI)) 六价铬	Polybrominated Biphenyls (PBBs) 多溴联苯	Polybrominated Diphenyl Ethers (PBDEs) 多溴二苯醚
PCBA & Components PCBA 及电子元件	●	○	○	○	○	○
Connector 连接器	●	○	○	○	○	○
Cables 线材	○	○	○	○	○	○
Metal Structure 金属结构件	○	○	○	○	○	○
Plastic Structure 塑胶结构件	○	○	○	○	○	○
Fans 风扇	●	○	○	○	○	○
Coating & Finish 涂层	○	○	○	○	○	○
Packaging Material 包装及缓冲材料	○	○	○	○	○	○
Paper and Printed Material 纸壳及印刷品	○	○	○	○	○	○

Key / 图示说明

○ Indicates toxic and hazardous substances in all homogeneous materials of the stated part is below the limit requirement of SJ/T 11363-2006 standard.  
表示该物所有有害物质在该部件所有均质材料中的含量均在 SJ/T 11363-2006 标准规定的限量要求以下。

● Indicates toxic and hazardous substances in all homogeneous materials of the stated part is within the limit requirement of the European Restriction of Hazardous Substances Directive 2011/65/EC (the "RoHS Directive").  
表示该物所有有害物质在该部件的所有均质材料中的含量均在欧盟有害物质限制法规 2011/65/EC 的限量要求之内。

## REGULATIONS



This personal computer case with the smart device is tested to comply with FCC standard, Australian standard and EU EMC Directive (2014/30/EU)

CAN ICES-3(B) / NMB-3(B)  
This Class B personal computer case with smart device complies with Canadian ICES-003  
Cet éti pour ordinateur personnel de classe B avec dispositif intelligent est conforme à la norme NMB-003 du Canada

## NZXT WARRANTY

**I. Warranty Length**  
NZXT computer cases, temperature meters, fans, accessories, and cables carry a 2 year warranty from the date of purchase for parts and labor. Any replacement product will be warranted for the remainder of the warranty period or thirty days, whichever is longer. Proof of purchase is required for warranty service.

**II. Who Is Protected**  
The Warranty covers only NZXT products purchased by the original consumer from authorized NZXT retailers.

**III. What Is Covered**  
Please note that our warranty is not an unconditional guarantee. If the product, in NZXT's opinion, malfunctions within the warranty period, NZXT will at its discretion repair or replace the product that is equal or greater in value depending on supply. The warranty does not cover any NZXT product that was damaged due to accident, misuse, abuse, improper installation, use not in accordance with product specifications and instructions, natural or personal disaster, or unauthorized alterations, repairs or modifications.

**IV. Exclusion Of Damages (Disclaimer)**  
NZXT's sole obligation and liability under this warranty is limited to the repair or replacement of a defective product at our option. NZXT shall not, in any event, be liable for any incidental or consequential damage, including but not limited to damages resulting from interruption of service and loss of data, business, or for liability in tort relating to this product or resulting from its use or possession.

**V. Limitations Of Implied Warranties**  
There are no other warranties, expressed or implied, including but not limited to those of merchantability or fitness for a particular purpose. The duration of implied warranties is limited to the warranty length specified in Paragraph I.

**VI. Local Law And Your Warranty**  
This warranty gives you specific legal rights. You may also have other rights granted under local law. These rights may vary.

**VII. To Obtain Technical Support.**  
If you have already referenced your product owner's manual and still need help, please visit [support.nzxt.com](http://support.nzxt.com) for details and contact information.

**VIII. For Warranty Service.**  
In the event that warranty repair or replacement is necessary, NZXT will request and you must provide proof of purchase (store receipt or invoice) in order to receive warranty service. For

**North American Customers:**  
Within the first 60 days after purchase, please return your product (or for power supplies installed within our enclosures, just the failed power supply) to your dealer or reseller for a replacement. If the product is still within warranty and you can no longer return it to your dealer, please contact NZXT Customer Support ([support.nzxt.com](mailto:support.nzxt.com)) for assistance and instructions. NZXT will not accept returns without prior approval and an RMA number.

**In Europe:**  
Within the first year after purchase, please return your product (or for power supplies installed within our enclosures, just the failed power supply) to your dealer or reseller for a replacement. If the product is still within warranty and you can no longer return it to your dealer, please contact NZXT Customer Support for assistance and instructions. NZXT will not accept returns without prior approval.

**Global Customers (Outside North America and Europe):**  
If your product needs to be returned or repair within the warranty period, please do so through the retailer or distributor from whom you purchased the product. If you can no longer return the product to your dealer, please contact NZXT Customer Support for assistance. Please note, proof of purchase from an authorized NZXT retailer is required for ALL warranty servicing.

**Warranty terms for all NZXT products sold to Australia.**  
Our goods come with guarantees that cannot be excluded under the Australian Consumer Law. You are entitled to a replacement or refund for a major failure and or compensation for any other reasonably foreseeable loss or damage. You are also entitled to have the goods repaired or replaced if the goods fail to be of acceptable quality and the failure does not amount to a major failure (NZXT Corporation, 13164 E. Temple Ave., City of Industry, CA 91746, USA TEL: +1-800-228-9395) Please contact the shop you purchased from to receive prompt service. If the dealer refuses to offer the service, please contact us at directly at [support.nzxt.com](mailto:support.nzxt.com)

• Visit [support.nzxt.com](http://support.nzxt.com) for information on warranty coverage and service  
• Visite le site [support.nzxt.com](http://support.nzxt.com) para obter informações sobre a cobertura da garantia e do serviço da garantia.  
• Visitez [support.nzxt.com](http://support.nzxt.com) pour les informations de la couverture de la garantie et du service.  
• Informationen zu Geltungsbereich und Service der Garantie finden Sie unter [support.nzxt.com](http://support.nzxt.com)

• Visitare il sito [support.nzxt.com](http://support.nzxt.com) per informazioni sulla copertura e sul servizio della garanzia.  
• Visite o site [support.nzxt.com](http://support.nzxt.com) para obter informações sobre a cobertura da garantia e assistência  
• Подобрать информацию об условиях гарантии и обслуживания можно на сайте [support.nzxt.com](http://support.nzxt.com)  
• 방문 문의의 서비스에 대한 자세한 내용은 [support.nzxt.com](http://support.nzxt.com)을 참조하십시오.  
• 保証範囲およびサービスに関する情報については、[support.nzxt.com](http://support.nzxt.com) にアクセスしてください。  
• 請訪 [support.nzxt.com](http://support.nzxt.com) 了解保修範圍和服務的信息  
• 請訪問 [support.nzxt.com](http://support.nzxt.com) 了解產品保固範圍和更多服務訊息

## SUPPORT AND SERVICE

**Support and service**  
If you have any questions or problems with the NZXT product you purchased, please don't hesitate to contact us using our support system. [support@nzxt.com](mailto:support@nzxt.com)  
Please include a detailed explanation of your problem and your proof of purchase. For comments and suggestions, you can e-mail our design team, [designer@nzxt.com](mailto:designer@nzxt.com). Lastly we would like to thank you for your support by purchasing this product.  
For more information about NZXT, please visit us online. NZXT Website: [nzxt.com](http://nzxt.com)

**Support et service**  
Si vous avez des questions ou des problèmes avec le produit NZXT que vous avez acheté, n'hésitez pas à contacter service@nzxt.com avec une description détaillée de votre problème et votre preuve d'achat. Vous pouvez aussi commander des pièces de remplacement auprès support.nzxt.com. Pour les commentaires et les suggestions, envoyez un email à notre équipe de design, [designer@nzxt.com](mailto:designer@nzxt.com). Merci d'avoir acheté ce produit de NZXT. Pour plus d'informations sur NZXT, visitez notre site Web. Site Web de NZXT : [nzxt.com](http://nzxt.com)

**Support et service**  
Si vous avez des questions ou des problèmes avec le produit NZXT que vous avez acheté, n'hésitez pas à contacter service@nzxt.com avec une description détaillée de votre problème et votre preuve d'achat. Vous pouvez aussi commander des pièces de remplacement auprès support.nzxt.com. Pour les commentaires et les suggestions, envoyez un email à notre équipe de design, [designer@nzxt.com](mailto:designer@nzxt.com). Merci d'avoir acheté ce produit de NZXT. Pour plus d'informations sur NZXT, visitez notre site Web. Site Web de NZXT : [nzxt.com](http://nzxt.com)

**Support et service**  
Si vous avez des questions ou des problèmes avec le produit NZXT que vous avez acheté, n'hésitez pas à contacter service@nzxt.com avec une description détaillée de votre problème et votre preuve d'achat. Vous pouvez aussi commander des pièces de remplacement auprès support.nzxt.com. Pour les commentaires et les suggestions, envoyez un email à notre équipe de design, [designer@nzxt.com](mailto:designer@nzxt.com). Merci d'avoir acheté ce produit de NZXT. Pour plus d'informations sur NZXT, visitez notre site Web. Site Web de NZXT : [nzxt.com](http://nzxt.com)

**Kundendienst und service**  
Falls Fragen oder Probleme bezüglich Ihres NZXT-Produktes auftreten, wenden Sie sich bitte mit einer detaillierten Problembeschreibung und Ihrem Kaufbeleg an [service@nzxt.com](mailto:service@nzxt.com). Ersatzteile können Sie unter [support.nzxt.com](mailto:support.nzxt.com) anfragen. Kommentare und Anregungen senden Sie bitte per [designer@nzxt.com](mailto:designer@nzxt.com) an unser Designteam. Vielen Dank, dass Sie ein NZXT-Produkt erworben haben. Weitere Informationen über NZXT erhalten Sie im Internet. NZXT-Webseite: [nzxt.com](http://nzxt.com)

**Assistenza e servizio**  
In caso di dubbi o problemi con il prodotto NZXT acquistato, non esitate a contattarci utilizzando il nostro sistema di assistenza. [support@nzxt.com](mailto:support@nzxt.com)  
Includere una spiegazione dettagliata del problema e la prova di acquisto. Per commenti e suggerimenti, siete pregati di inviare un messaggio al nostro team di progettisti, all'indirizzo: [designer@nzxt.com](mailto:designer@nzxt.com). Infine, vogliamo ringraziarvi del vostro supporto con l'acquisto di questo prodotto. Per altre informazioni su NZXT, visitate il nostro sito. Sito NZXT: [nzxt.com](http://nzxt.com)

**Assistência e manutenção**  
Caso tenha questões ou problemas com o produto NZXT adquirido, não hesite em contactar-nos através do endereço [service@nzxt.com](mailto:service@nzxt.com) fornecendo a explicação detalhada do seu problema e a prova de compra. Poderá solicitar peças de substituição através do endereço [support.nzxt.com](mailto:support.nzxt.com). Para comentários e sugestões, contacte a nossa equipa de design através do endereço e-mail, [designer@nzxt.com](mailto:designer@nzxt.com). Obrigado por ter adquirido um produto NZXT. Para mais informações acerca da NZXT, visite-nos online. Web site da NZXT: [nzxt.com](http://nzxt.com)

**Служба поддержки и обслуживания**  
В случае возникновения вопроса или неисправностей с приобретенным вами продуктом NZXT обращайтесь по адресу [service@nzxt.com](mailto:service@nzxt.com) с подробным описанием проблемы и подтверждением покупки. О наших запчастях можно узнать, обратившись по адресу [support.nzxt.com](mailto:support.nzxt.com). Замечания и предложения отправляйте в адрес нашей группы разработчиков: [designer@nzxt.com](mailto:designer@nzxt.com). Благодарим нас за покупку продукта NZXT. Более подробная информация о компании NZXT представлена на нашем веб-сайте. Веб-сайт NZXT: [nzxt.com](http://nzxt.com)

**지원 및 서비스**  
구입한 NZXT 제품과 관련하여 질문 또는 문제가 있을 경우, 당사의 지원 시스템([support.nzxt.com](mailto:support.nzxt.com))을 사용하여 문의하십시오.  
문제를 자세히 기술하고 구매 증명을 제출하십시오. 의견 또는 제안 사항이 있을 경우 당사 설계 팀에 [designer@nzxt.com](mailto:designer@nzxt.com)으로 이메일을 보내십시오. 마지막으로 이 제품을 구입하여 당사를 응원해 주셔서 감사합니다. NZXT에 대해 자세히 알려면 온라인으로 방문하십시오. NZXT 웹사이트는 [nzxt.com](http://nzxt.com)

**サポートおよびサービス**  
購入されたNZXTの製品に関するご質問または問題は、問題の細部および購入の証明を添えて、ご連絡なく [service@nzxt.com](mailto:service@nzxt.com)までご連絡ください。交換部品は[support.nzxt.com](mailto:support.nzxt.com)までお尋ねください。ご意見およびご提案は弊社設計チーム、[designer@nzxt.com](mailto:designer@nzxt.com)までメールを送信してください。NZXT製品をご購入いただきましてありがとうございます。NZXTに関する詳細は、インターネット上のウェブサイトをご覧ください。NZXTウェブサイト: [nzxt.com](http://nzxt.com)

**支持和服務**  
如果您有任何疑問或者在使用 NZXT 的過程中遇到任何問題,歡迎聯絡 [service@nzxt.com](mailto:service@nzxt.com),聯絡時請提供有關問題的詳細說明及購買凭证。您可以向 [support.nzxt.com](mailto:support.nzxt.com) 查詢更換部件。如有任何意見或建議,歡迎致信我們的设计团队,電子郵件地址是 [designer@nzxt.com](mailto:designer@nzxt.com)。感谢您购买 NZXT 产品。有关 NZXT 的更多信息,请访问我们的网站。  
NZXT 网站: [nzxt.com](http://nzxt.com)

**支援和服務**  
如果您在使用NZXT 產品的過程中有遇到任何問題或疑問，歡迎聯繫 [service@nzxt.com](mailto:service@nzxt.com)，並提供問題的詳細描述及購買證明。您可以透過 [support.nzxt.com](mailto:support.nzxt.com) 查詢更換部件。歡迎來信與設計團隊聯繫 [designer@nzxt.com](mailto:designer@nzxt.com)。感謝您購買 NZXT 產品。有關 NZXT 的更多信息，請訪問我們的網站。  
NZXT 網站: [nzxt.com](http://nzxt.com)

**支持和服務**  
如果您有任何疑問或者在使用 NZXT 的過程中遇到任何問題,歡迎聯絡 [service@nzxt.com](mailto:service@nzxt.com),聯絡時請提供有關問題的詳細說明及購買凭证。您可以向 [support.nzxt.com](mailto:support.nzxt.com) 查詢更換部件。如有任何意見或建議,歡迎致信我們的设计团队,電子郵件地址是 [designer@nzxt.com](mailto:designer@nzxt.com)。感谢您购买 NZXT 产品。有关 NZXT 的更多信息,请访问我们的网站。  
NZXT 网站: [nzxt.com](http://nzxt.com)

**支持和服務**  
如果您有任何疑問或者在使用 NZXT 的過程中遇到任何問題,歡迎聯絡 [service@nzxt.com](mailto:service@nzxt.com),聯絡時請提供有關問題的詳細說明及購買凭证。您可以向 [support.nzxt.com](mailto:support.nzxt.com) 查詢更換部件。如有任何意見或建議,歡迎致信我們的设计团队,電子郵件地址是 [designer@nzxt.com](mailto:designer@nzxt.com)。感谢您购买 NZXT 产品。有关 NZXT 的更多信息,请访问我们的网站。  
NZXT 网站: [nzxt.com](http://nzxt.com)

**支持和服務**  
如果您有任何疑問或者在使用 NZXT 的過程中遇到任何問題,歡迎聯絡 [service@nzxt.com](mailto:service@nzxt.com),聯絡時請提供有關問題的詳細說明及購買凭证。您可以向 [support.nzxt.com](mailto:support.nzxt.com) 查詢更換部件。如有任何意見或建議,歡迎致信我們的设计团队,電子郵件地址是 [designer@nzxt.com](mailto:designer@nzxt.com)。感谢您购买 NZXT 产品。有关 NZXT 的更多信息,请访问我们的网站。  
NZXT 网站: [nzxt.com](http://nzxt.com)

**支持和服務**  
如果您有任何疑問或者在使用 NZXT 的過程中遇到任何問題,歡迎聯絡 [service@nzxt.com](mailto:service@nzxt.com),聯絡時請提供有關問題的詳細說明及購買凭证。您可以向 [support.nzxt.com](mailto:support.nzxt.com) 查詢更換部件。如有任何意見或建議,歡迎致信我們的设计团队,電子郵件地址是 [designer@nzxt.com](mailto:designer@nzxt.com)。感谢您购买 NZXT 产品。有关 NZXT 的更多信息,请访问我们的网站。  
NZXT 网站: [nzxt.com](http://nzxt.com)

**支持和服務**  
如果您有任何疑問或者在使用 NZXT 的過程中遇到任何問題,歡迎聯絡 [service@nzxt.com](mailto:service@nzxt.com),聯絡時請提供有關問題的詳細說明及購買凭证。您可以向 [support.nzxt.com](mailto:support.nzxt.com) 查詢更換部件。如有任何意見或建議,歡迎致信我們的设计团队,電子郵件地址是 [designer@nzxt.com](mailto:designer@nzxt.com)。感谢您购买 NZXT 产品。有关 NZXT 的更多信息,请访问我们的网站。  
NZXT 网站: [nzxt.com](http://nzxt.com)