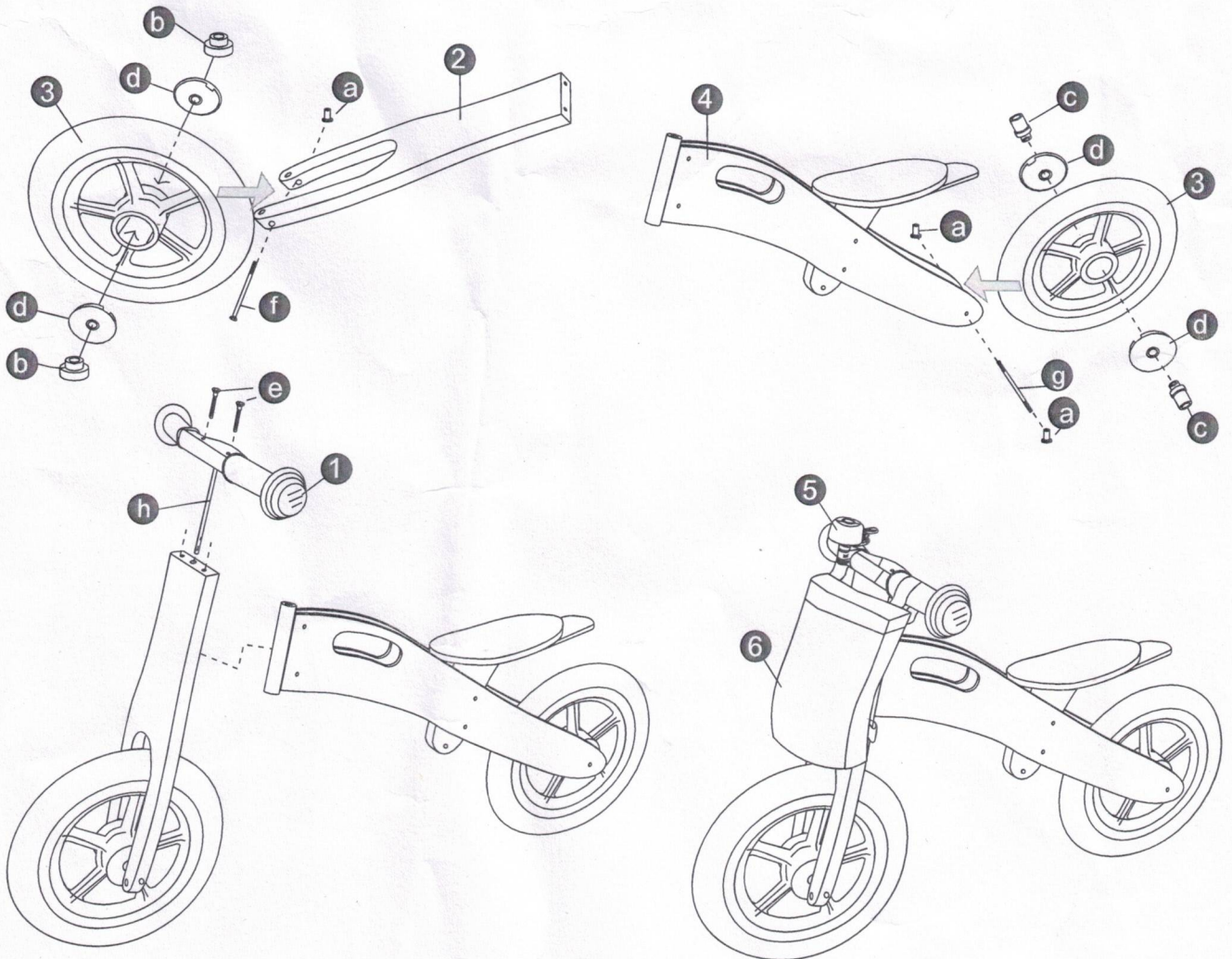
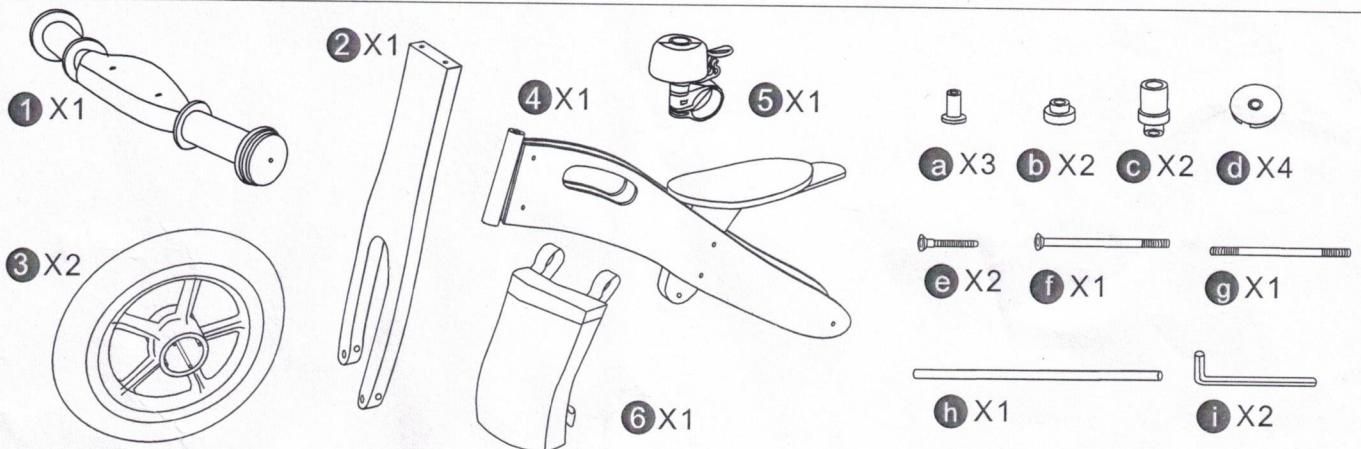


# Wooden Balance Bike

## Assembly instructions

Please retain this information for future reference



### WARNING:

ADULT ASSEMBLY REQUIRED.

Product includes small parts with potentially hazardous sharp points and sharp edges in the unassembled state.

Keep unassembled parts away from children.

CHOKING HAZARD. Small parts and sharp points, not suitable for children under 3 years.

