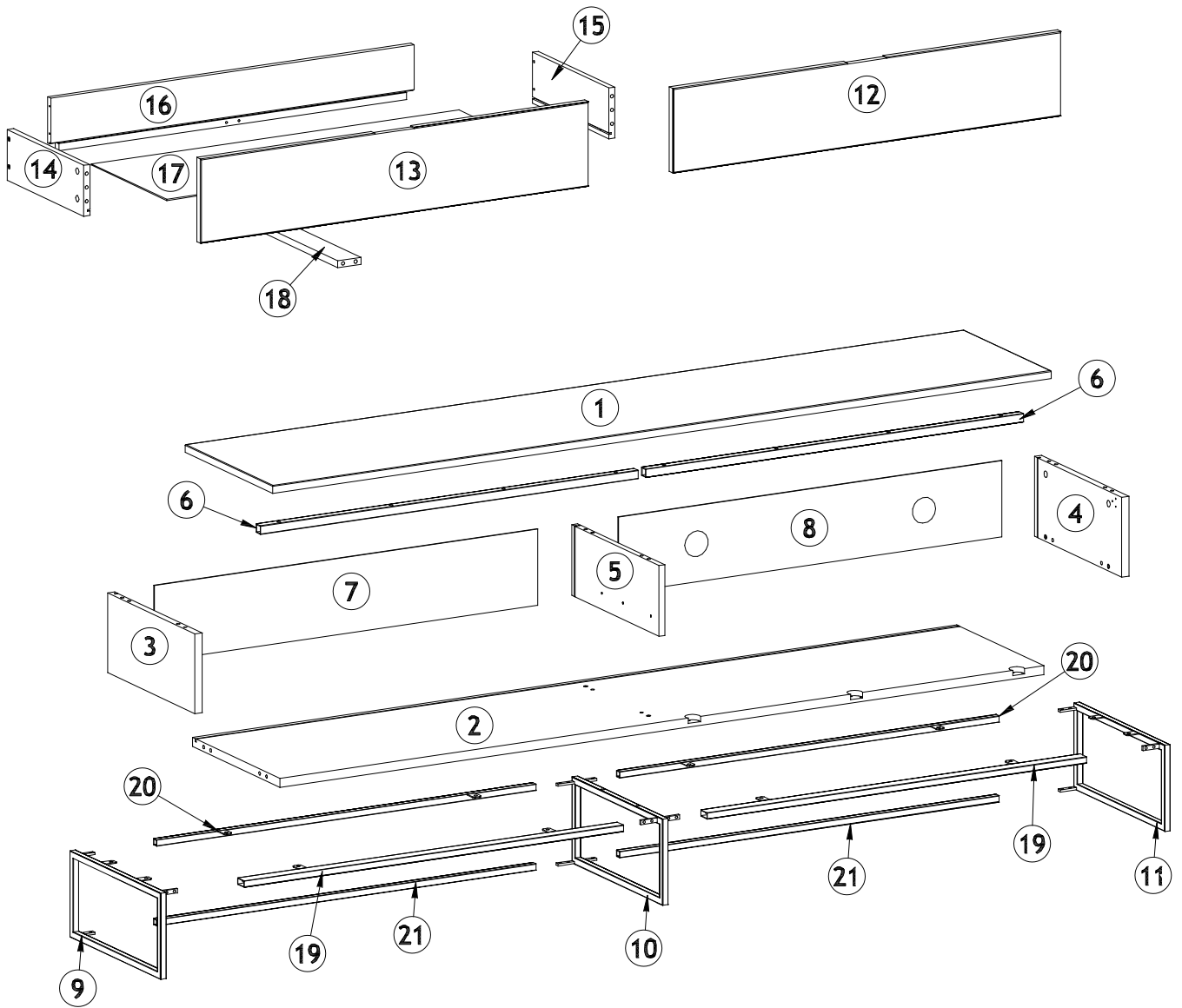
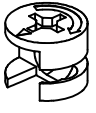
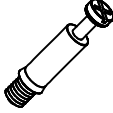
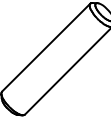
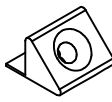
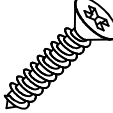

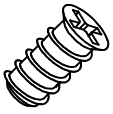

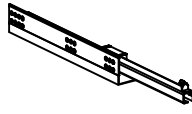
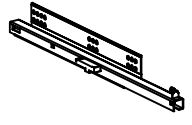
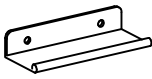
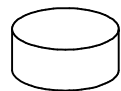
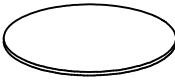



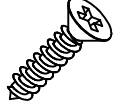
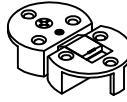

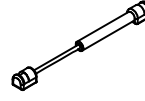
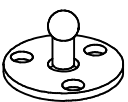
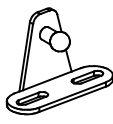
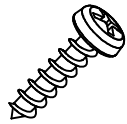




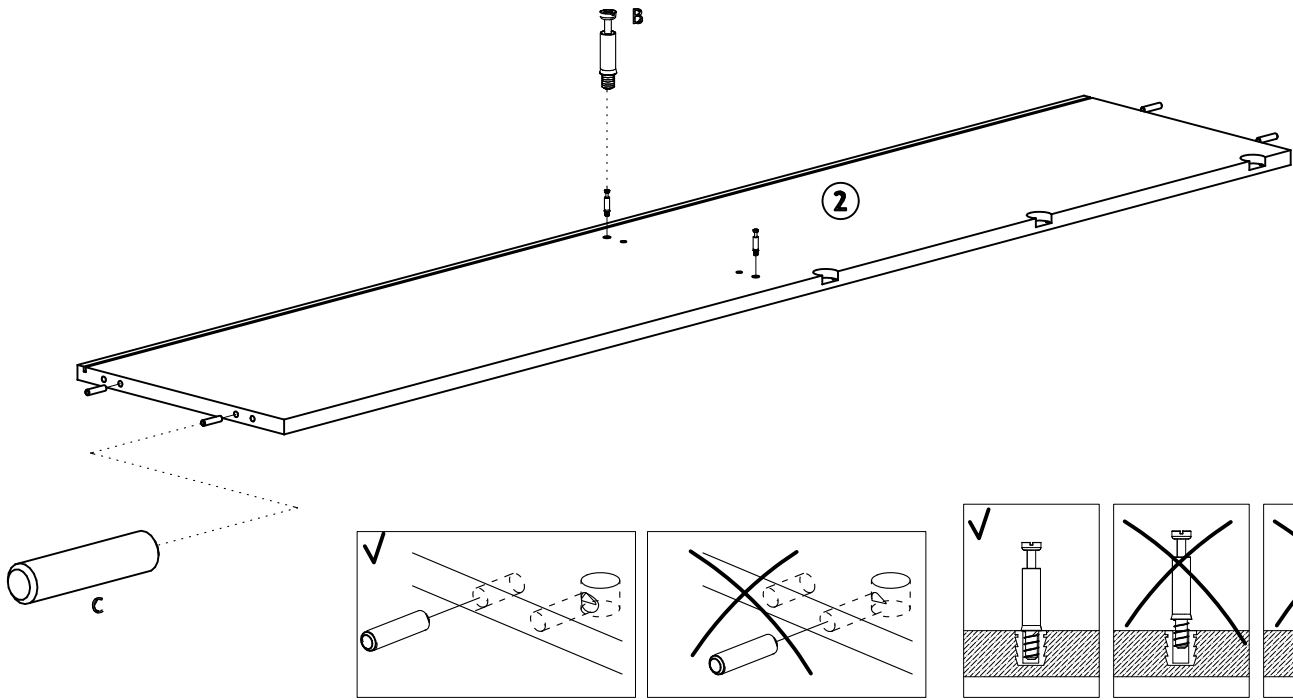
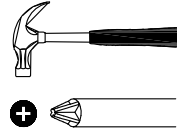
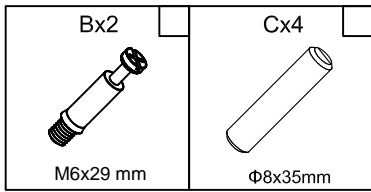
			✓
①	1	1999 x 400 x 18	
②	1	1961 x 400 x 21	
③	1	185 x 400 x 18	
④	1	185 x 400 x 18	
⑤	1	164 x 400 x 15	
⑥	2	969 x 20 x 20	
⑦	1	984 x 177 x 3	
⑧	1	984 x 177 x 3	
⑨	1	415 x 200 x 57	
⑩	1	415 x 200 x 99	
⑪	1	415 x 200 x 57	

			✓
⑫	1	996 x 196 x 18	
⑬	1	996 x 196 x 18	
⑭	1	350 x 118 x 15	
⑮	1	350 x 118 x 15	
⑯	1	932 x 124 x 15	
⑰	1	943 x 345 x 3	
⑱	1	334 x 60 x 15	
⑲	2	973,5 x 60 x 15	
⑳	2	973,5 x 45 x 15	
㉑	2	973,5 x 15 x 15	

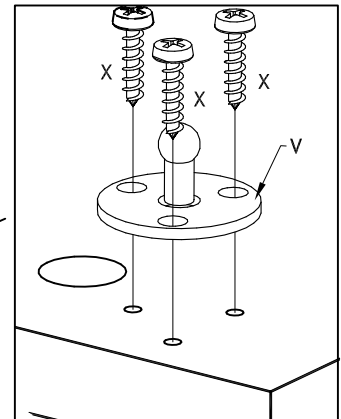
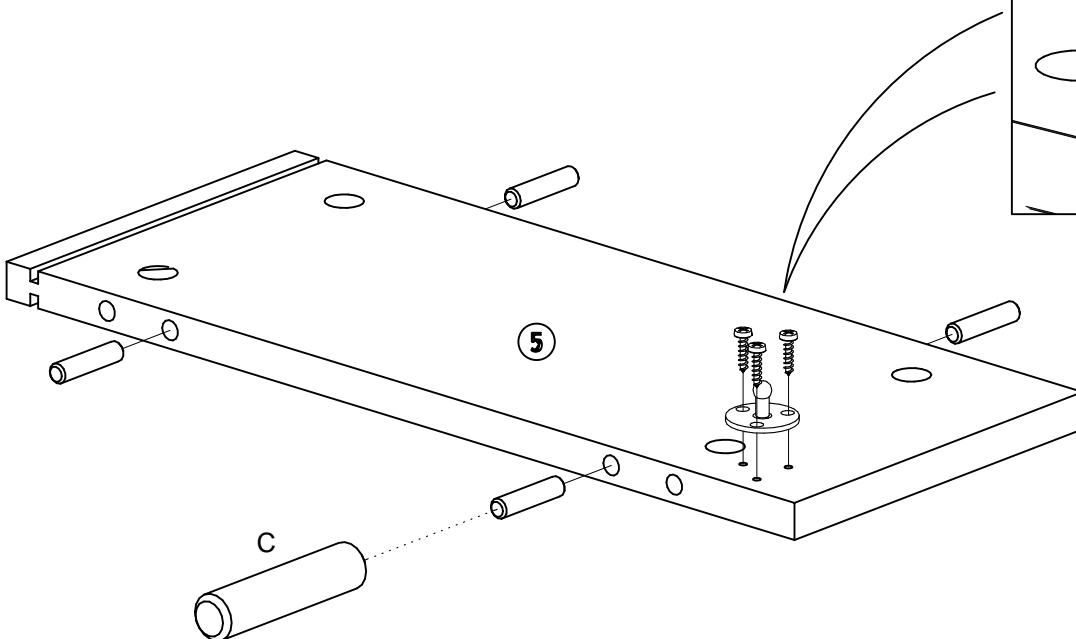
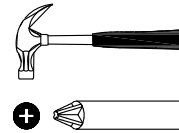
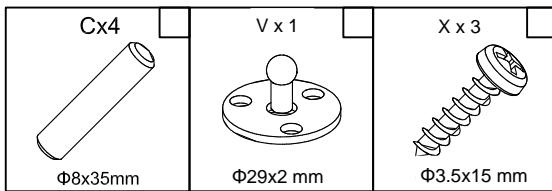


<p>A x 18</p>  <p>$\Phi 15 \times 12$ mm</p>	<p>B x 18</p>  <p>M6x29 mm</p>	<p>C x 14</p>  <p>8x35 mm</p>	<p>D x 12</p>  <p>$\Phi 15 \times 15$ mm</p>	<p>E x 12</p>  <p>$\Phi 3.0 \times 18$ mm</p>
<p>F x 6</p>  <p>$\Phi 3.5 \times 35$ mm</p>	<p>G x 6</p>  <p>$\Phi 5.8/11$ mm</p>	<p>I x 4</p>  <p>$\Phi 8 \times 2$ mm</p>	<p>J1 x 1</p>  <p>350 mm</p>	<p>J2 x 1</p>  <p>350 mm</p>
<p>K x 2</p>  <p>100x41x20 mm</p>	<p>L x 6</p>  <p>$\Phi 12 \times 5$ mm</p>	<p>M x 10</p>  <p>$\Phi 20$ mm</p>	<p>N x 12</p>  <p>M6x15mm</p>	<p>P x 2</p>  <p>M6x25mm</p>
<p>Q x 24</p>  <p>M6x12mm</p>	<p>R x 4</p>  <p>$\Phi 3.5 \times 15$ mm</p>	<p>S x 3</p>  <p>57x37x13mm</p>	<p>T x 18</p>  <p>$\Phi 3 \times 15$ mm</p>	<p>U x 2</p>  <p>$\Phi 15 \times c/c 150$ mm</p>
<p>V x 2</p>  <p>$\Phi 29 \times 2$ mm</p>	<p>W x 2</p>  <p>51x16x2mm</p>	<p>X x 10</p>  <p>$\Phi 3.5 \times 15$ mm</p>	<p>Y x 8</p>  <p>M6x30mm</p>	<p>Z x 1</p>  <p>4mm</p>

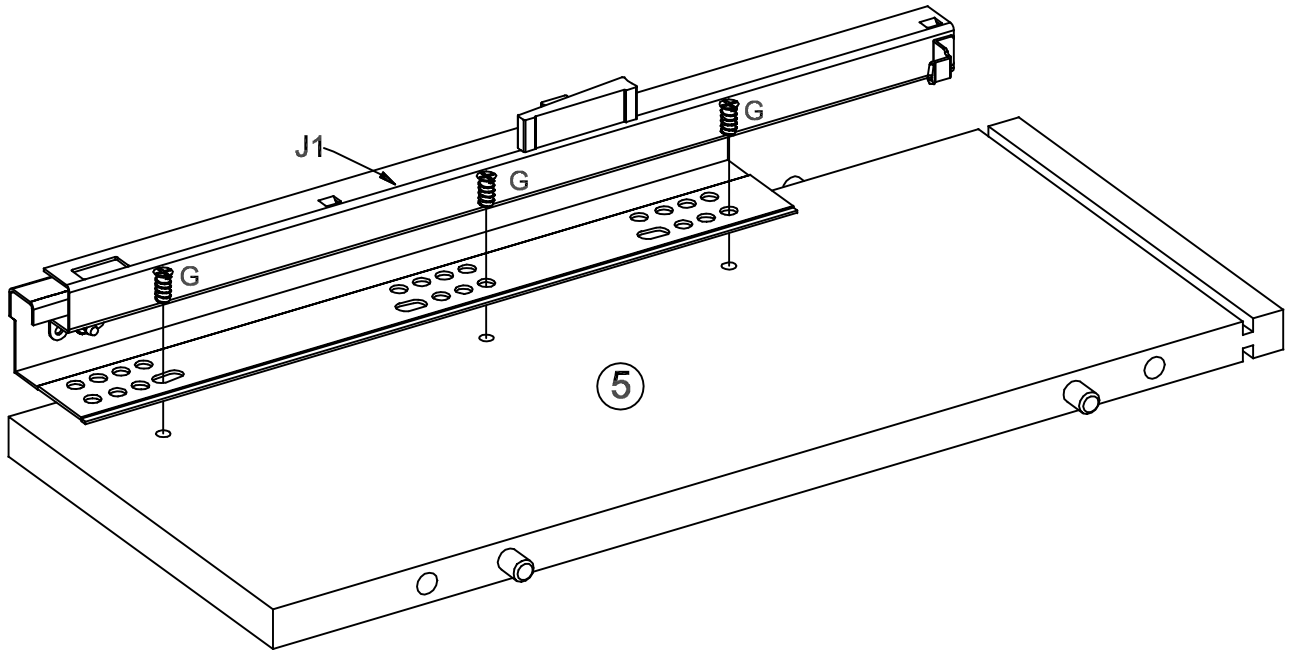
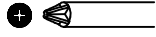
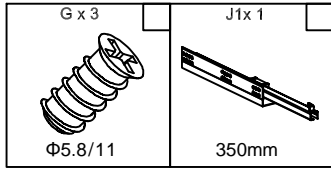
1



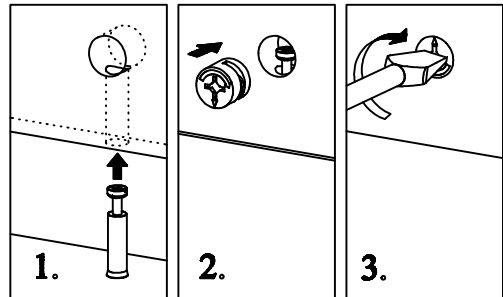
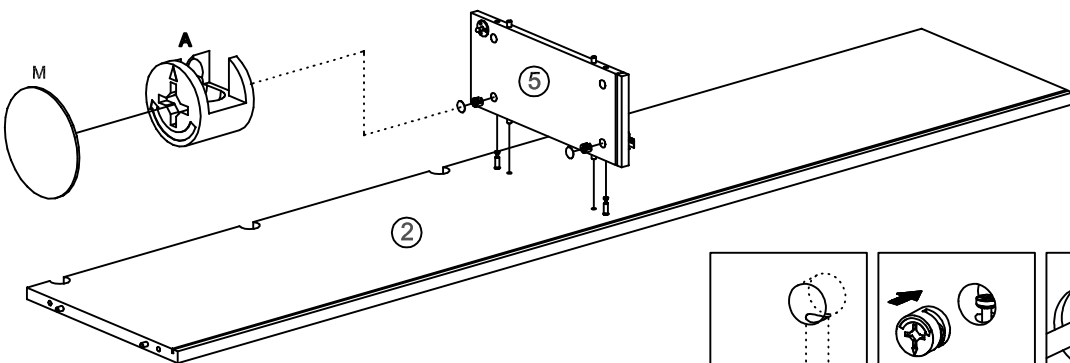
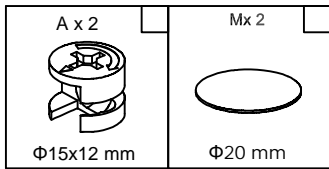
2



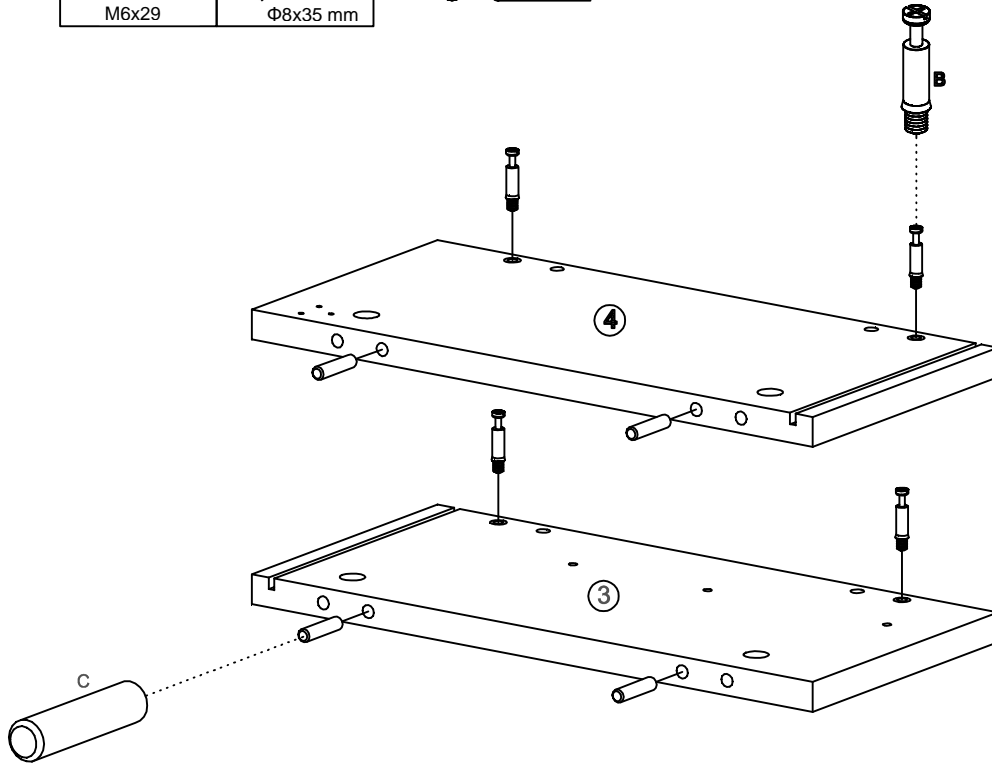
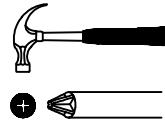
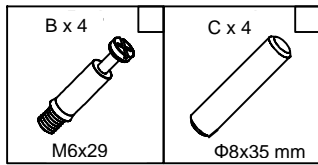
3



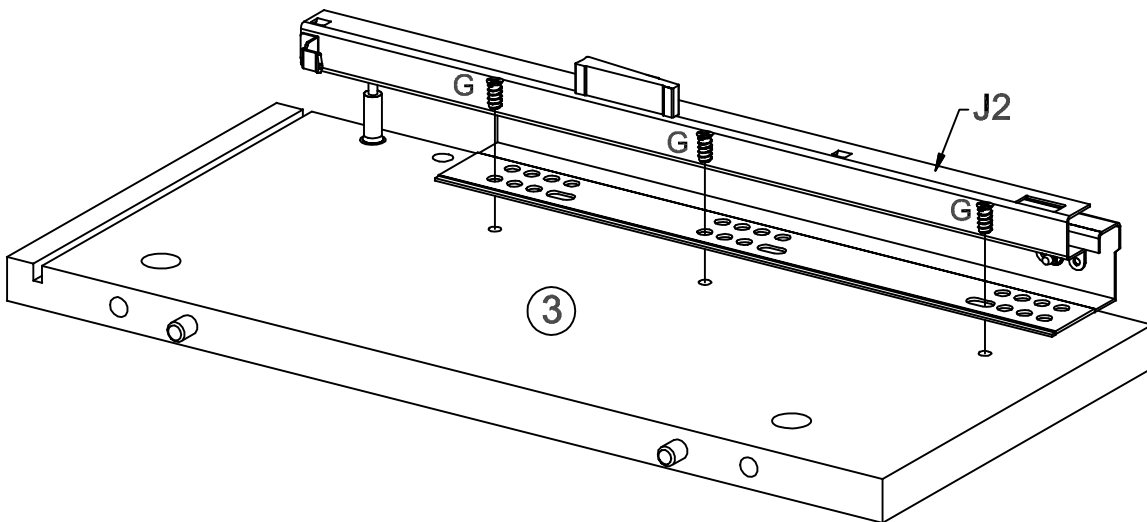
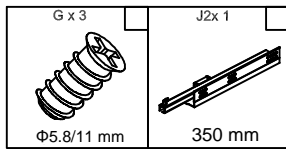
4



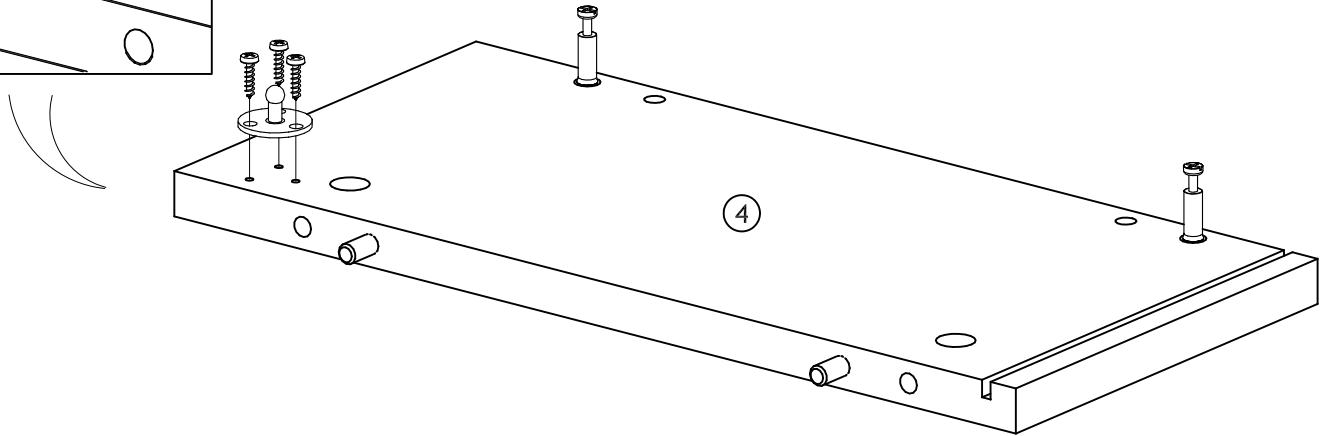
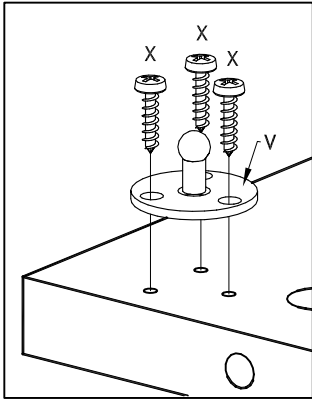
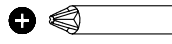
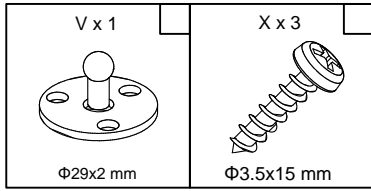
5



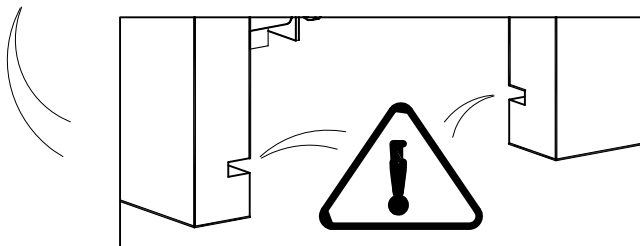
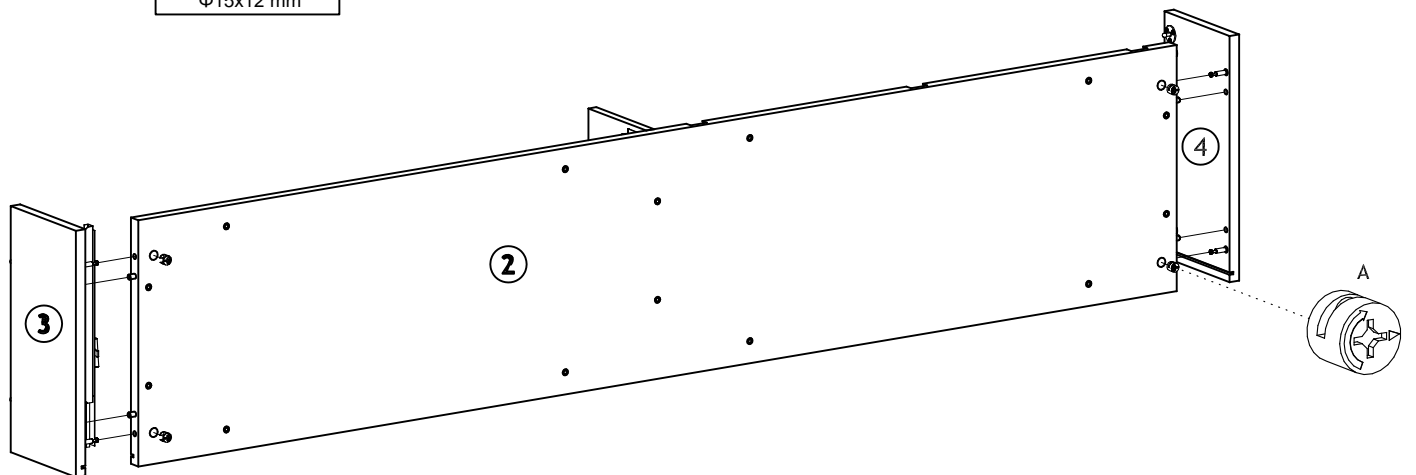
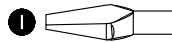
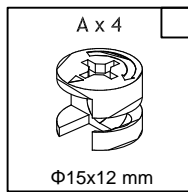
6



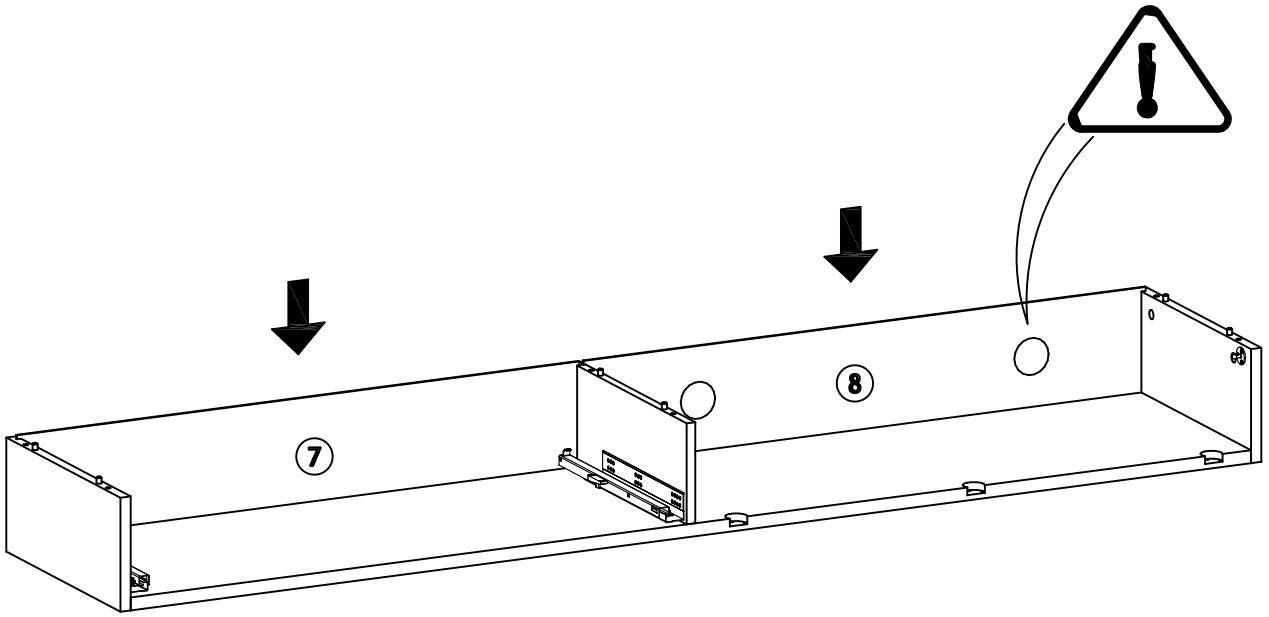
7



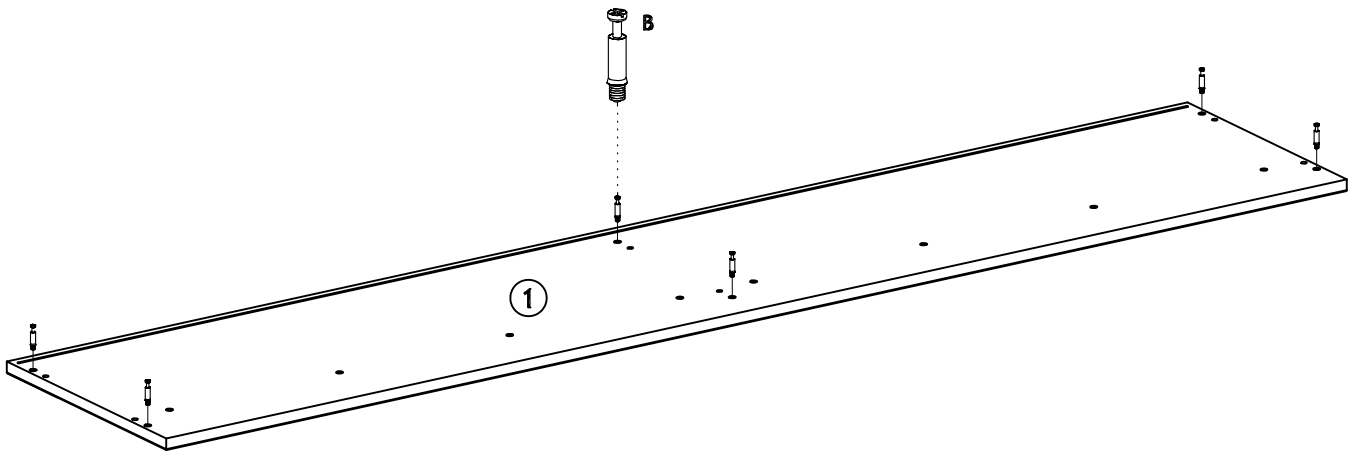
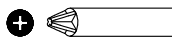
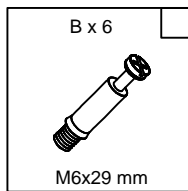
8



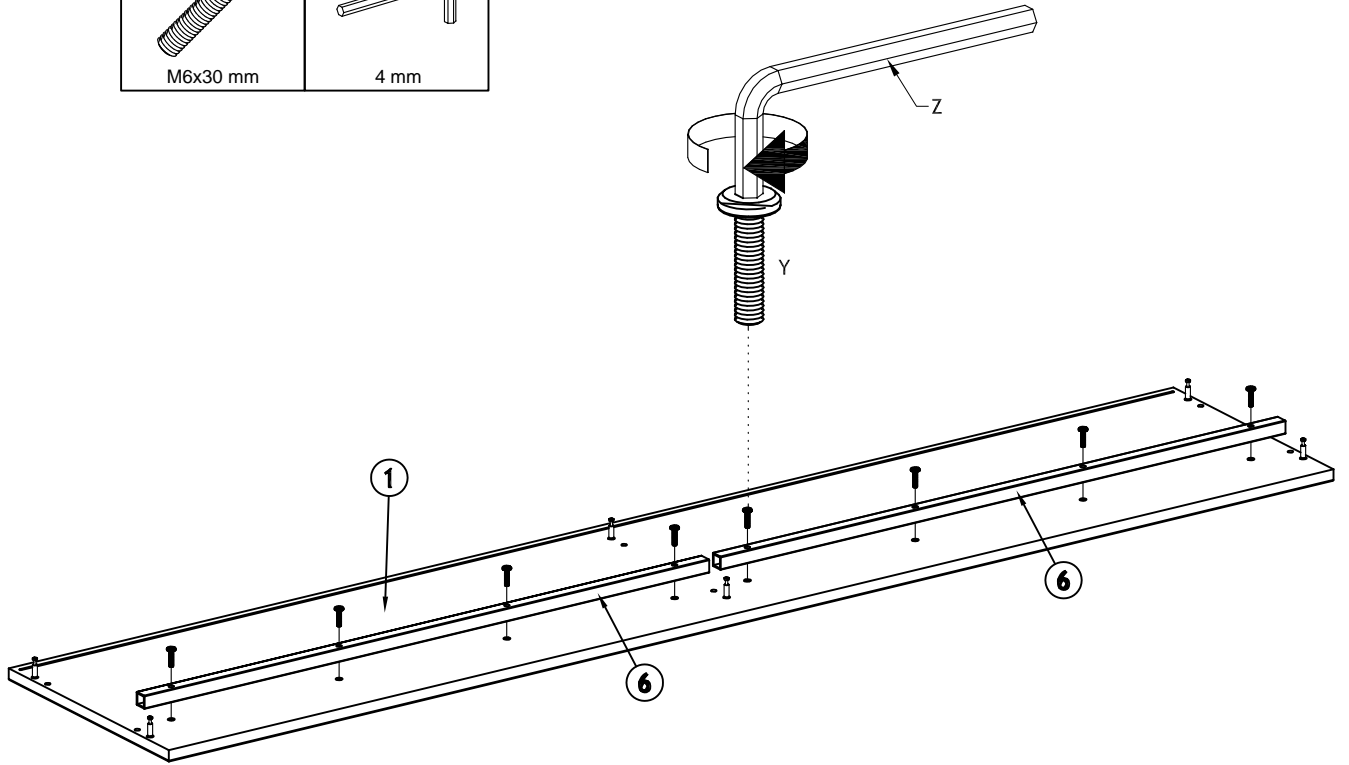
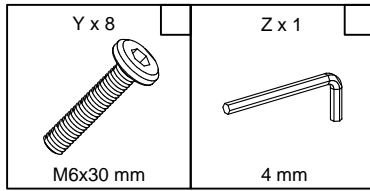
9



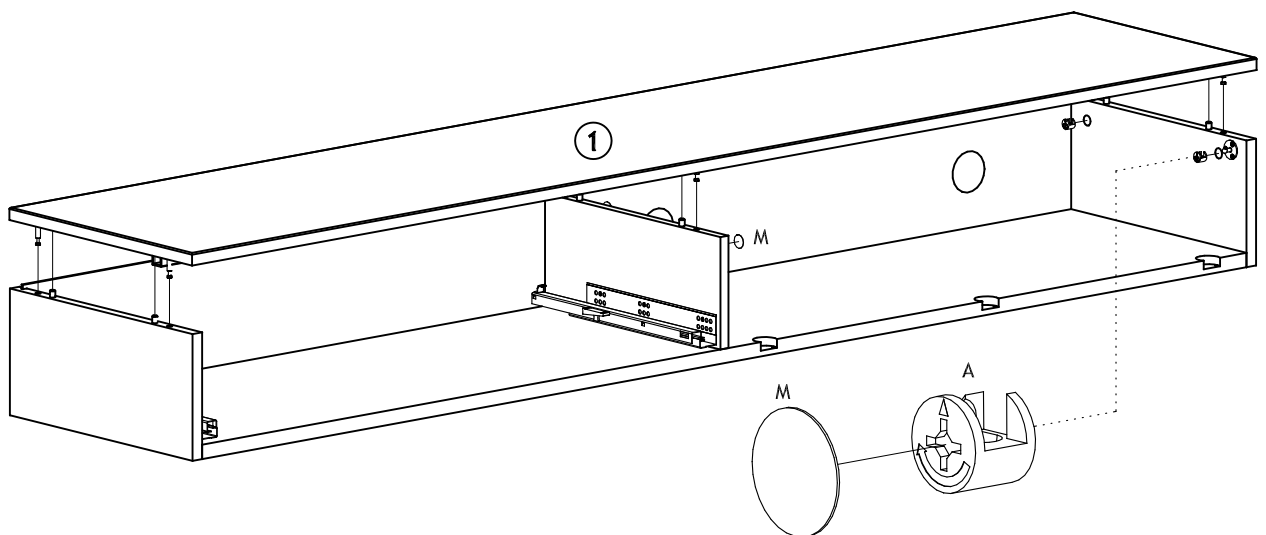
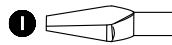
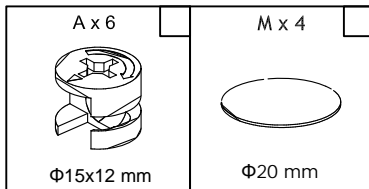
10



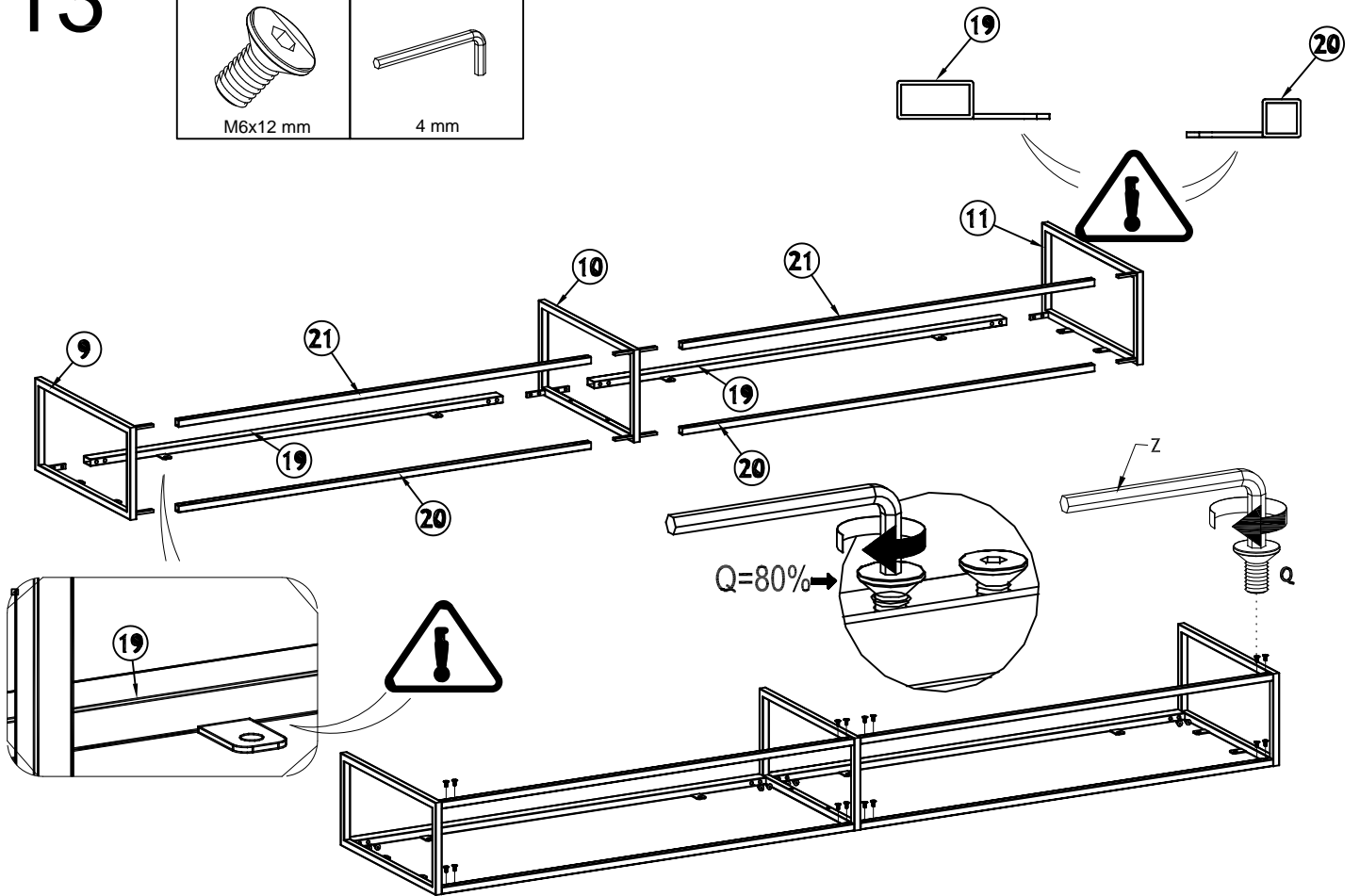
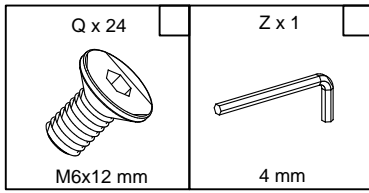
11



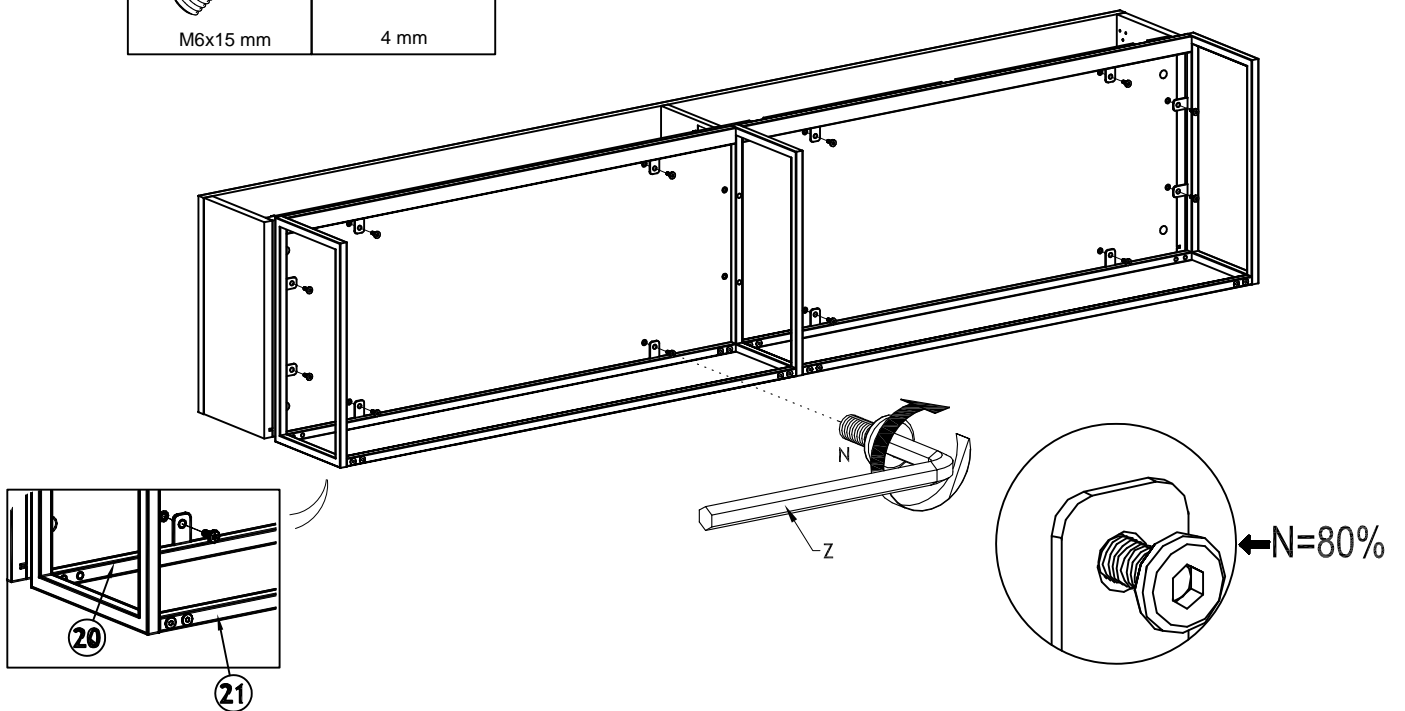
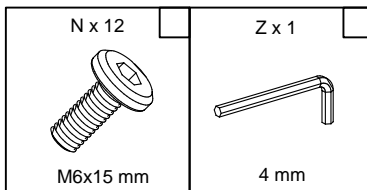
12



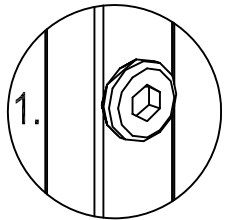
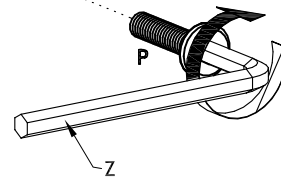
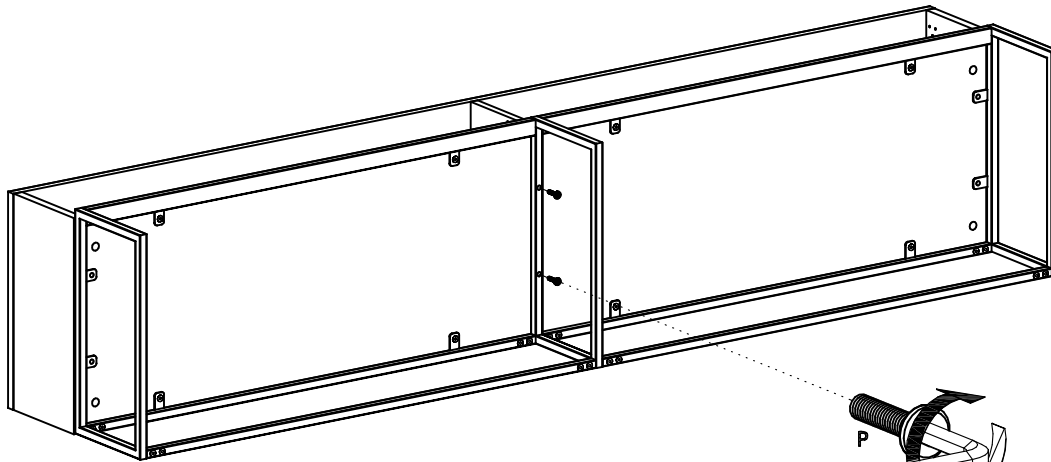
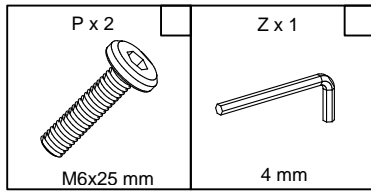
13



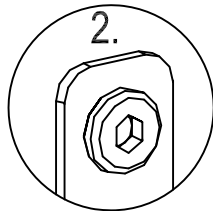
14



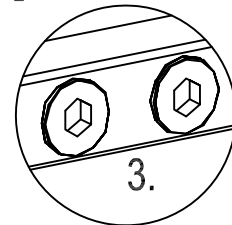
15



← P=100%

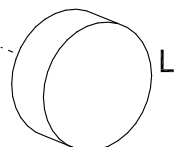
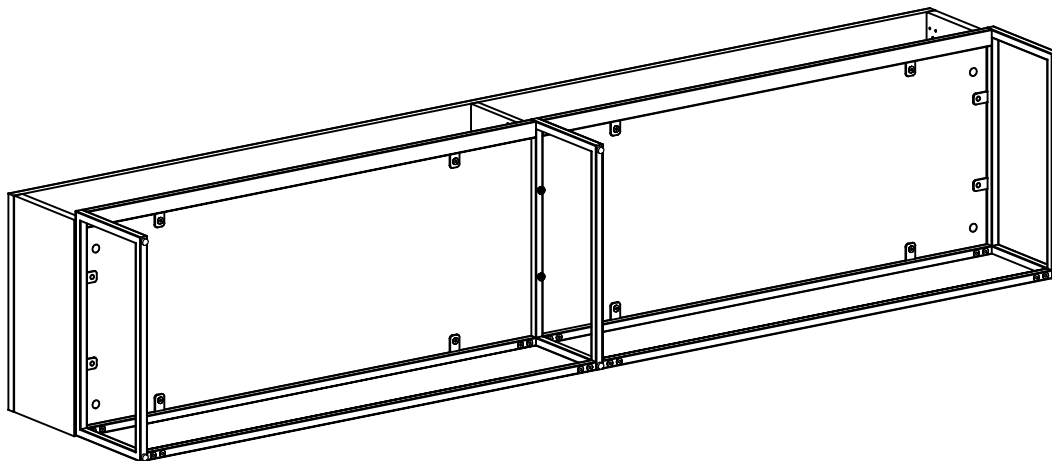
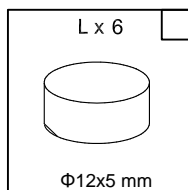


← N=100%

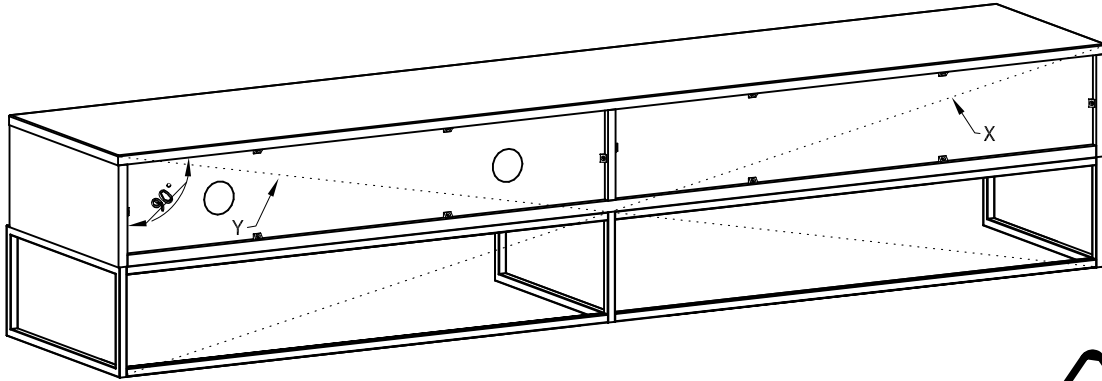
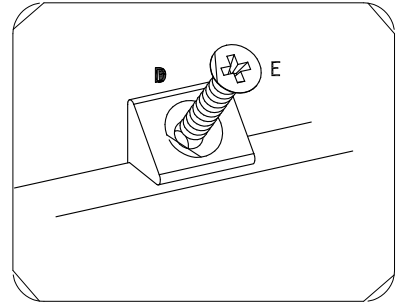
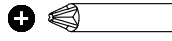
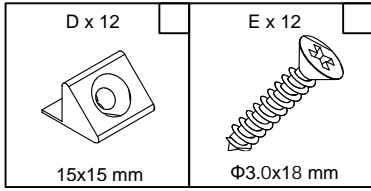


← Q=100%

16

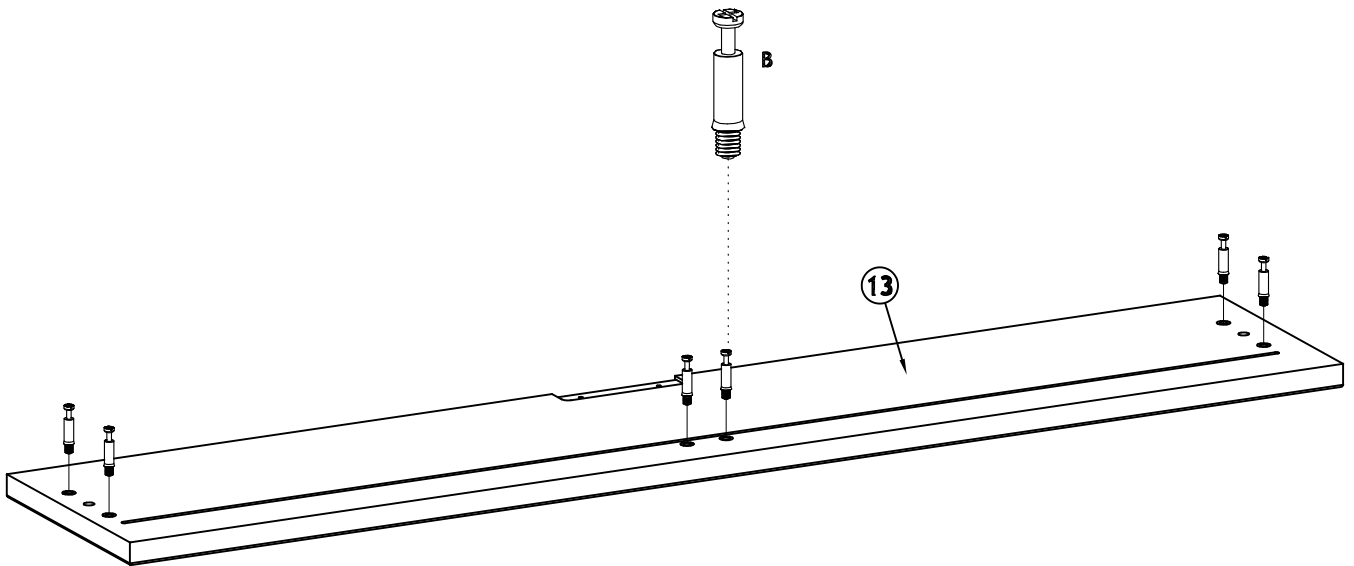
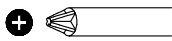
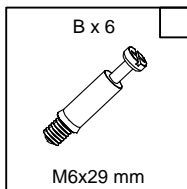


17

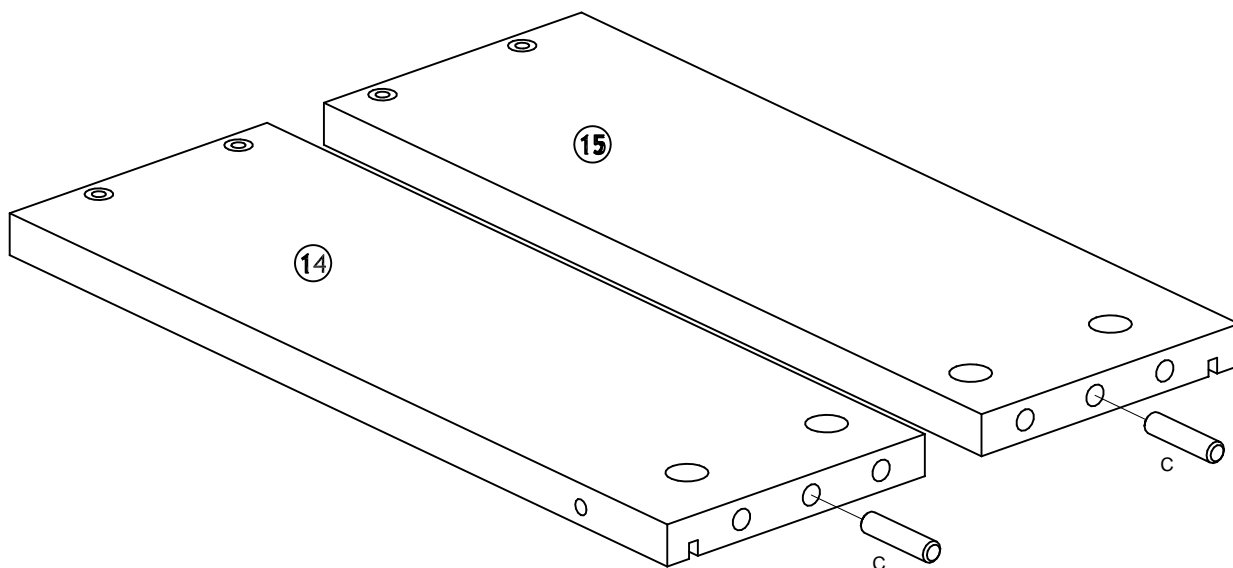
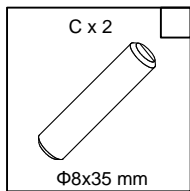


X=Y

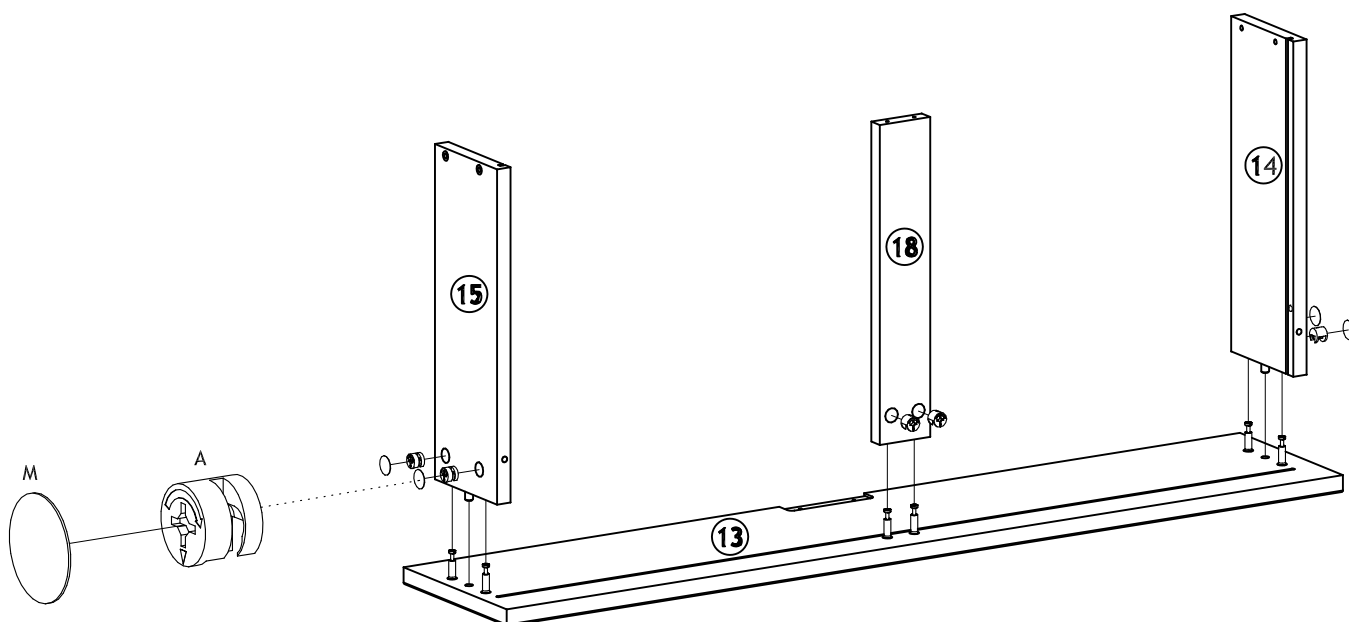
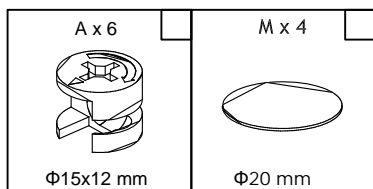
18



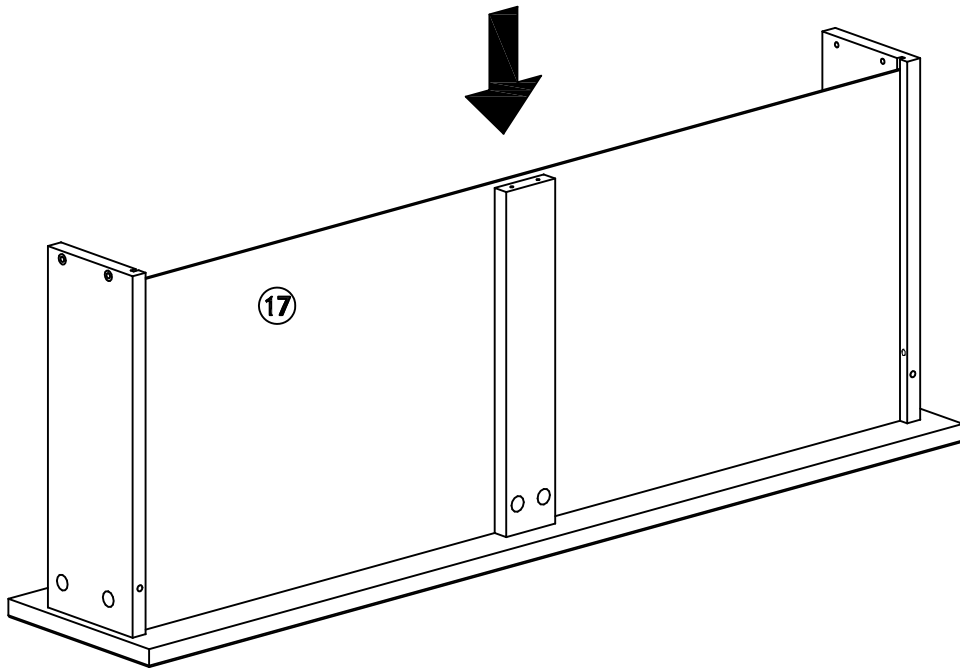
19



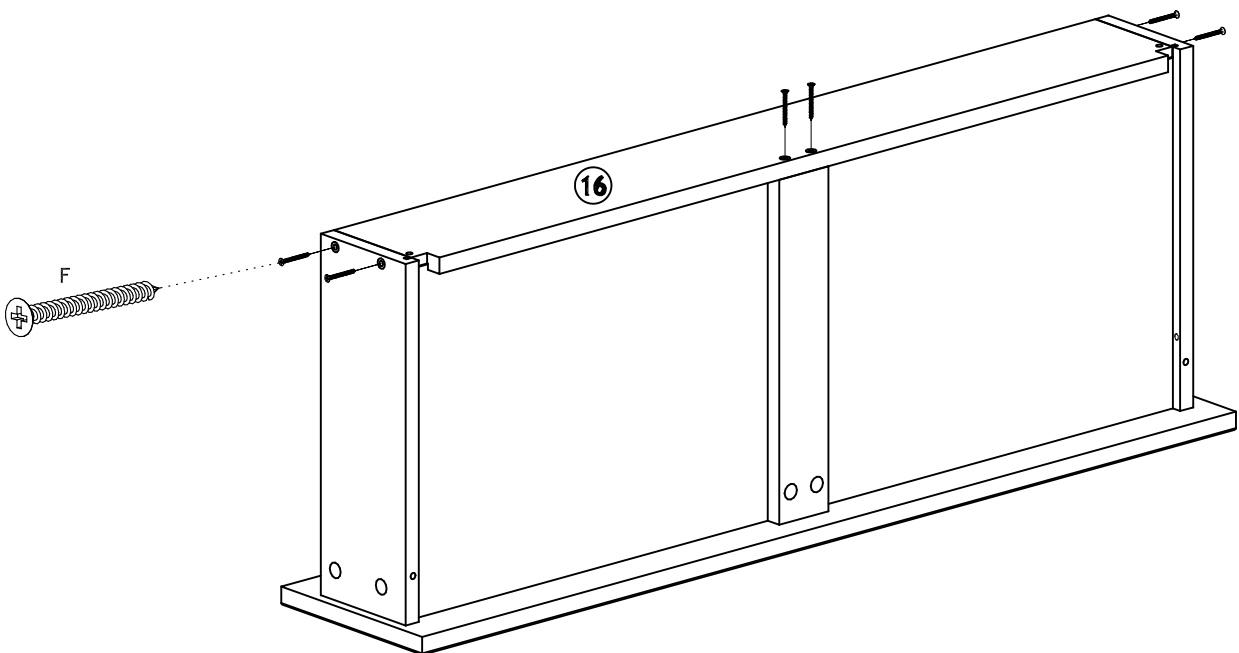
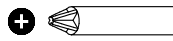
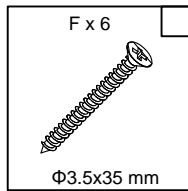
20



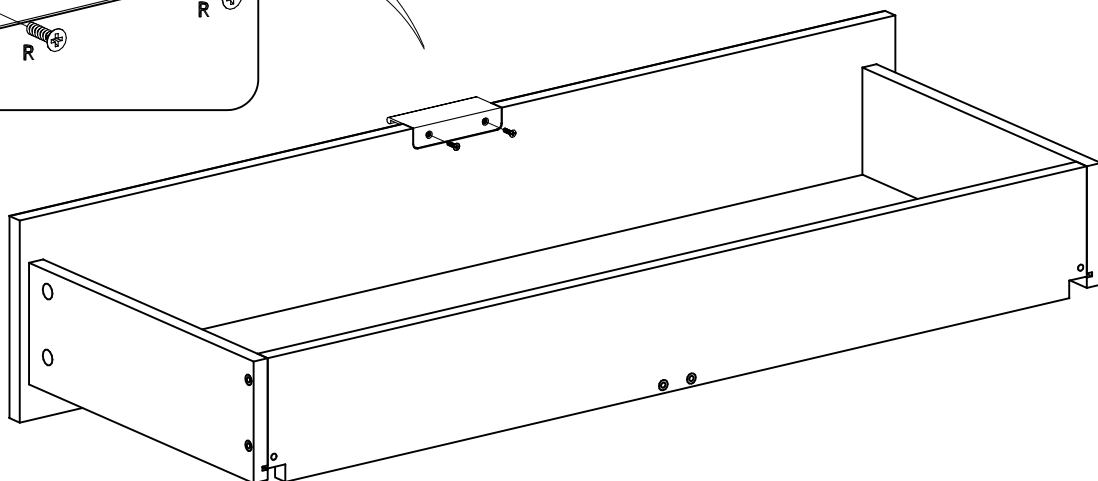
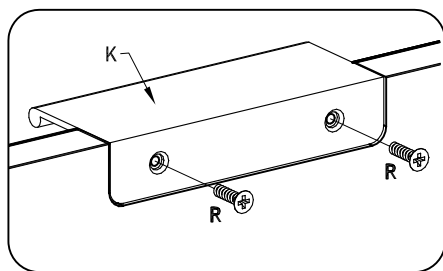
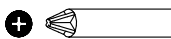
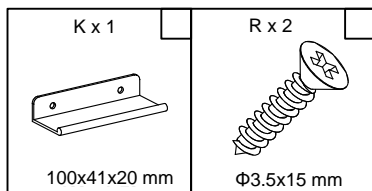
21

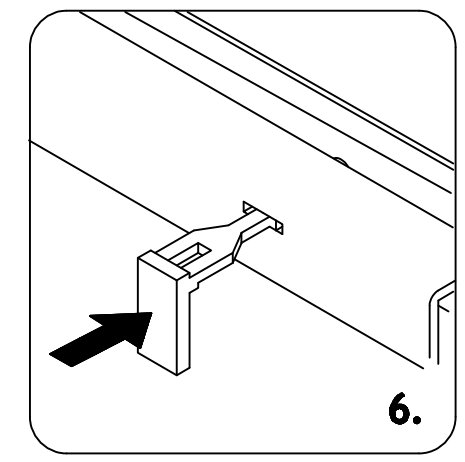
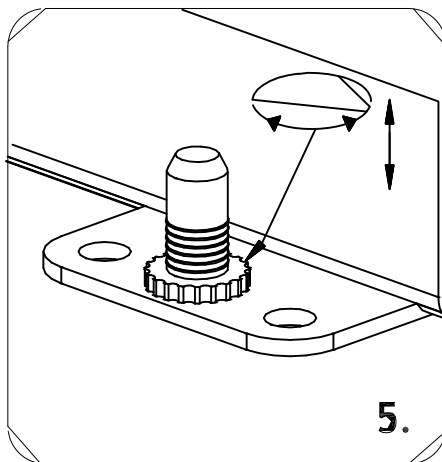
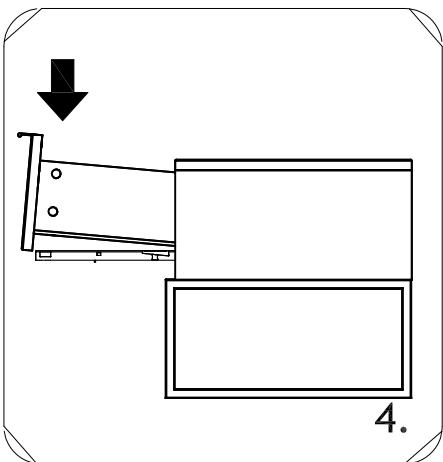
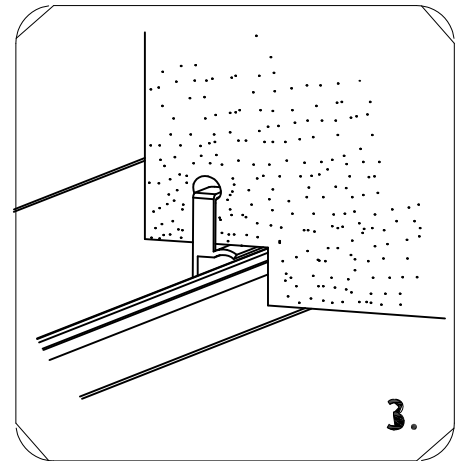
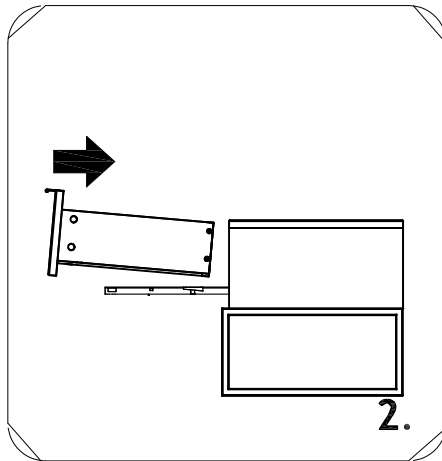
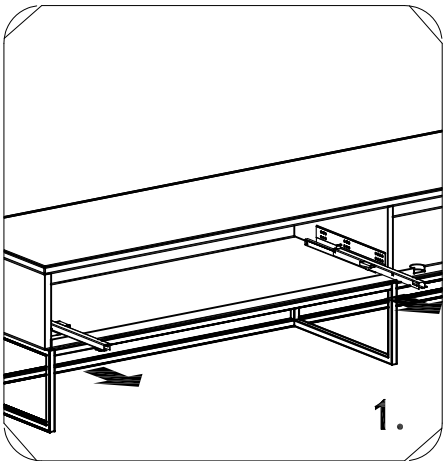
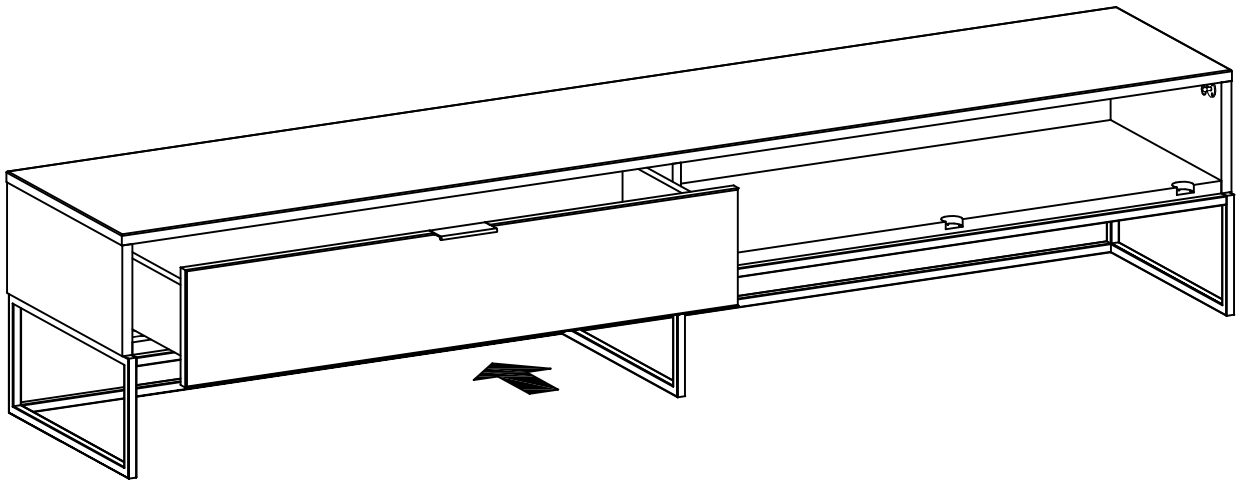


22

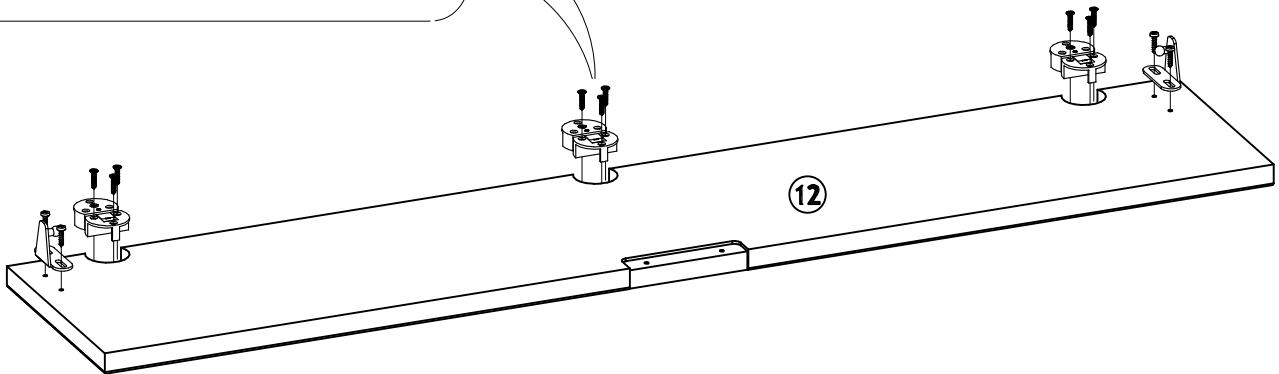
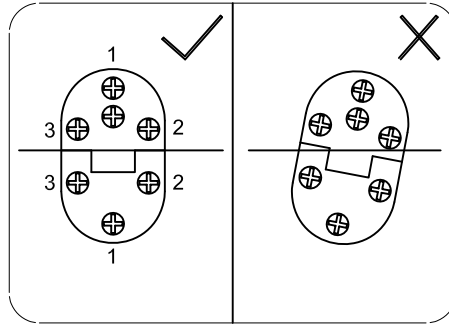
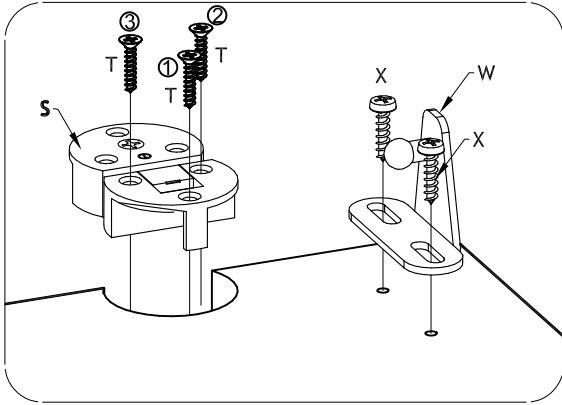
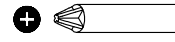
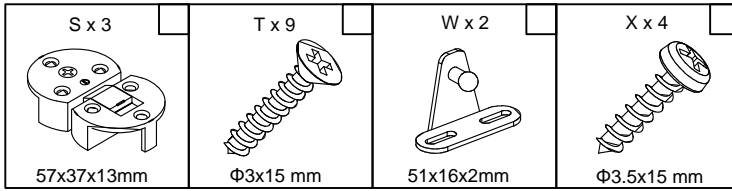


23

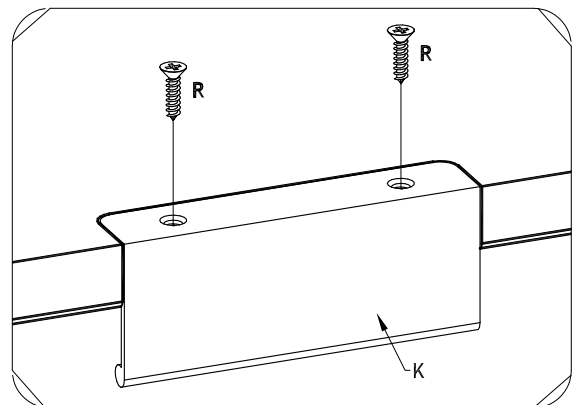
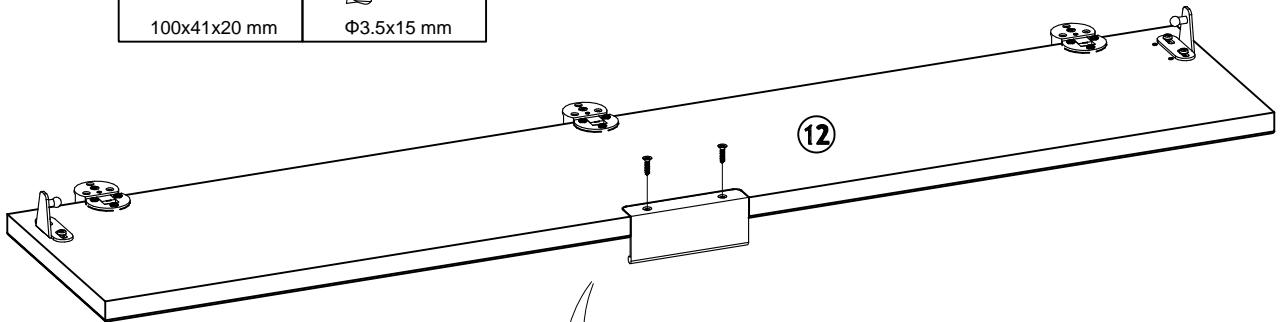
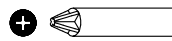
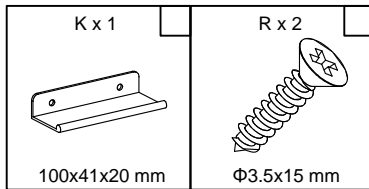




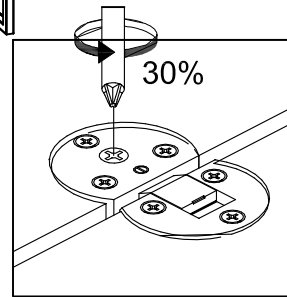
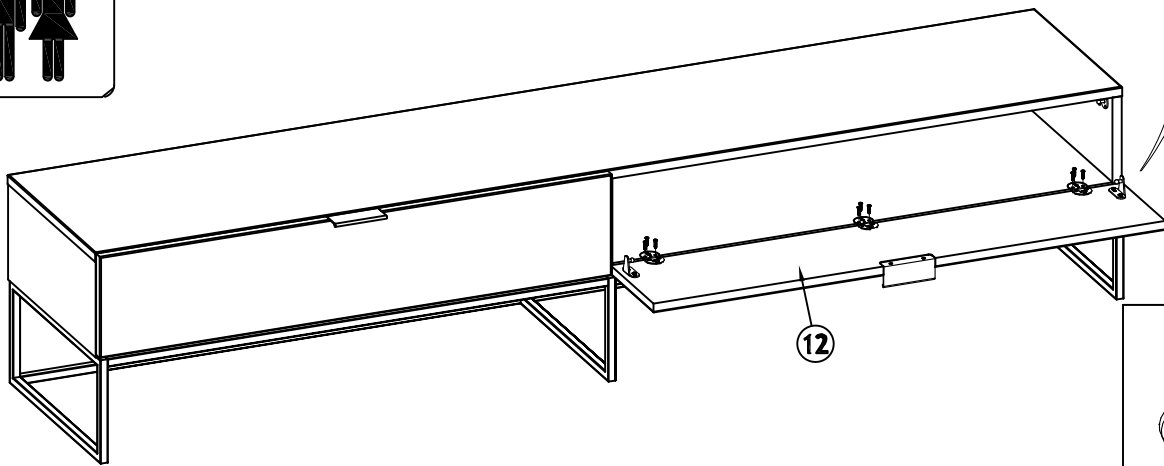
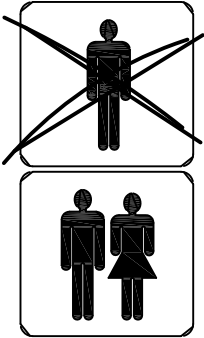
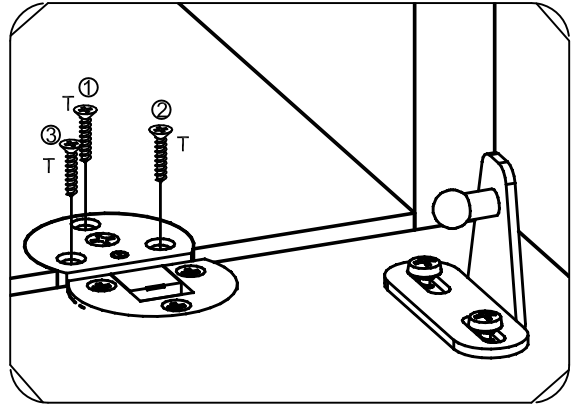
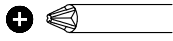
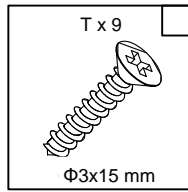
25



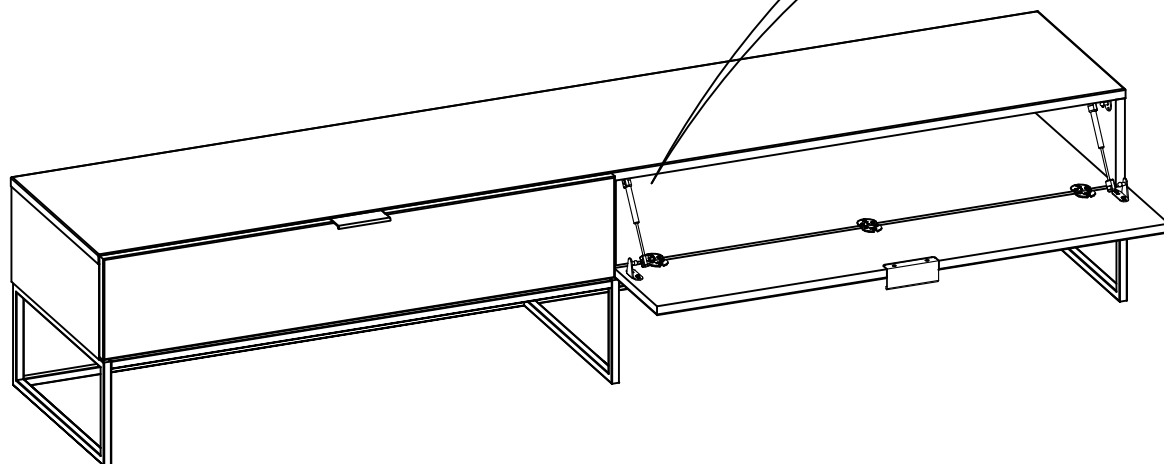
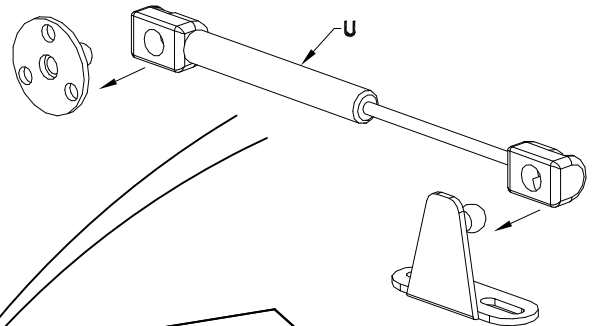
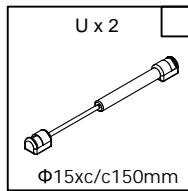
26

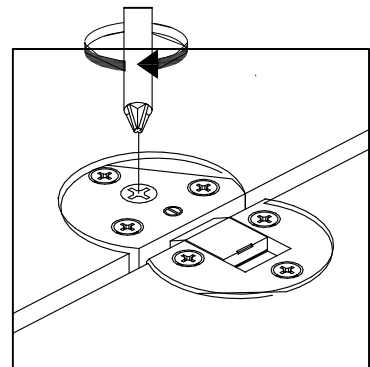
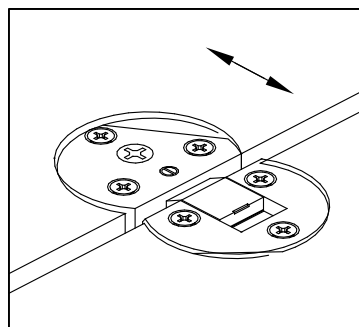
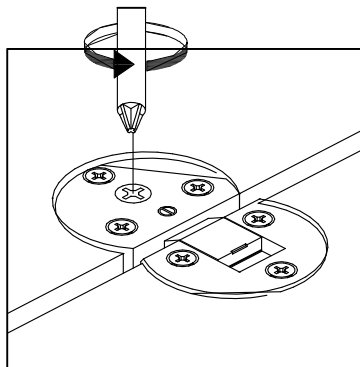
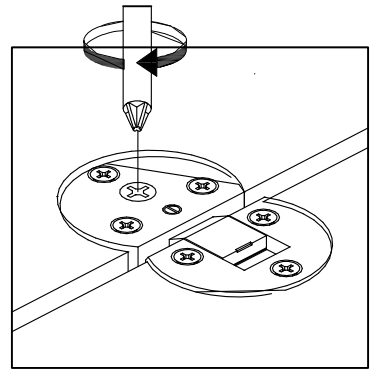
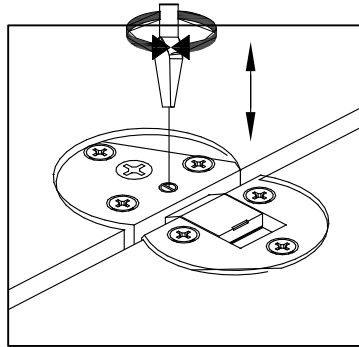
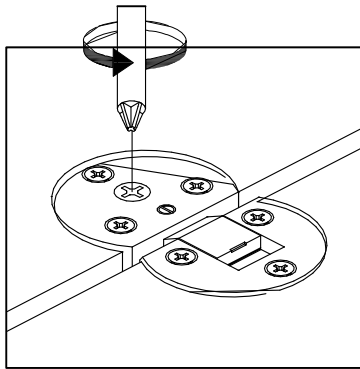
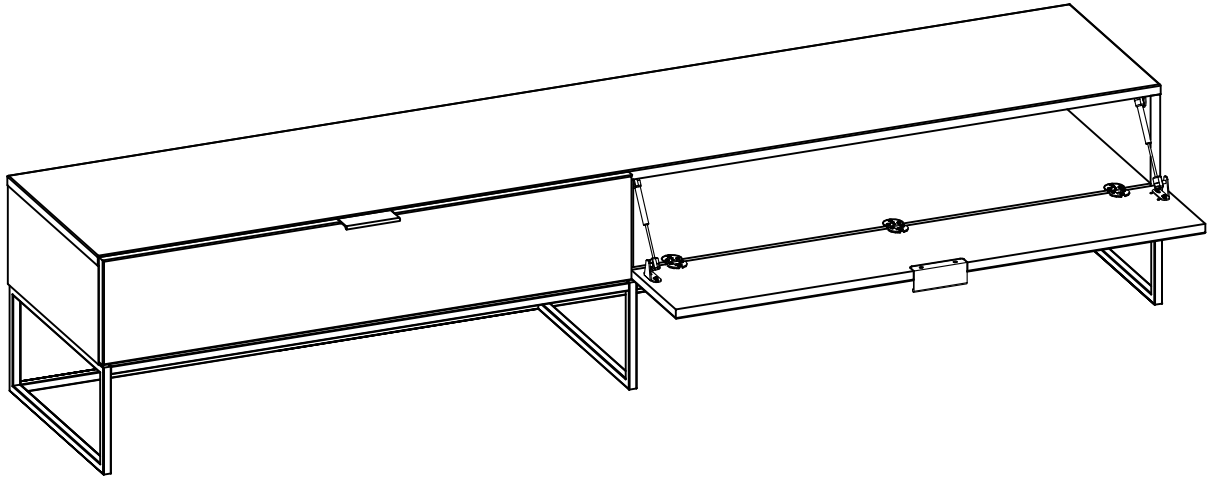
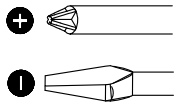


27



28





30

