

Jet 1800



850002

ENGLISH

Table of contents

1. Safety 16
1.1 Safety instructions 16
1.2 Key to symbols 18
1.3 Proper use 19

2. General information 20
2.1 Liability and Warrantees 20
2.2 Copyright protection 20
2.3 Declaration of conformity 20

3. Transport, packaging and storage 21
3.1 Delivery check 21
3.2 Packaging 21
3.3 Storage 21

4. Technical data 22
4.1 Overview of parts 22
4.2 Technical specification 23

5. Installation and operation 24
5.1 Installation 24
5.2 Operation 25

6. Cleaning 27

7. Waste disposal 28

Bartscher GmbH
Franz-Kleine-Str. 28
D-33154 Salzkotten
Germany

phone: +49 (0) 5258 971-0
fax: +49 (0) 5258 971-120



Read this instruction manual before using and keep them available at all times!

This instruction manual contains information about the installation, operation and maintenance of the device and should be consulted as an important source of information and reference guide.

Awareness of the safety instructions and instructions for use in this manual will ensure the safe and correct use of the device.

In addition to the information given here, you should comply with any local Health and safety Controls and generally applicable safety regulations.

The instruction manual forms part of the product and should be kept near the device and easily accessible for anyone carrying out the installation, servicing, maintenance or cleaning.

Please keep these instructions and give them to future owners of the device.

1. Safety

This device is designed in accordance with the presently applicable technological standards. However, the device can pose a danger if handled improperly and inappropriately.

All persons using the device must follow the recommendations and instructions in this instruction manual.

1.1 Safety instructions

- The device can be used by children **8 years and up**, as well as by people with disabilities and those with limited experience/knowledge as long as they are under supervision or have been instructed on proper use of the device and its possible dangers. **Children** should not play with the device. Cleaning and **maintenance cannot be performed by children** younger than 8 years old and must be done under supervision. **Children under the age of 8 years old** must be kept away from the device and its power cord.
- **Never** leave the device unattended when in use.
- Only use the device indoors.

- This device may only be operated in technically proper and safe condition.
- Prevent access of children to the package materials like plastic bags and foamed polystyrene elements. **Suffocation hazard!**
- Only a qualified technician and using original spare parts and accessories should carry out repairs and maintenance of the device. **Do not attempt to repair the device yourself.**
- Do not use any accessory or spare parts that have not been recommended by the manufacturer. These can be dangerous for the user or lead to damages of the device or personal injury, and further, the warranty expires.
- To prevent hazards and to ensure optimum efficiency, no modifications or alterations to the device that are not explicitly approved by the manufacturer may be undertaken.



DANGER! Electric shock hazard!

To avoid the hazard results please follow the safety instructions below.

- Never allow the power cable to come into contact with heat sources or sharp edges. The power cable should not hang over the side of the working surface. Ensure that no one can step on or trip over the cable.
- The power cable must not be folded, bent or tangled, and must always remain fully unrolled. Never place the device or other objects on the power cable.
- Do not lay the power cable over carpets or other inflammable materials. Do not cover the cable. Keep away the cable from operating range and do not immerse it into water.
- Check the power cord regularly for damage. Do not use the appliance if the power cord is damaged. If this cable is damaged, it must be replaced by customer service or a qualified electrician in order to avoid dangers.

- The supply cable must be disconnected from the socket only by pulling the plug.
- Never carry or lift the device by the supply cable.
- In any case do not open the device housing. In case of electrical or mechanical modifications the **electric shock hazard** will occur.
- Never immerse the appliance, the power cord and the power plug in water or other liquids.
- Do not use any acid agents and make sure no water ingresses the device.
- **Never** operate the device with moist hands or standing on wet floor.
- Remove the plug from its socket:
 - when the device is not used,
 - in case of anomalies during operation,
 - before cleaning.

1.2 Key to symbols

In this manual, symbols are used to highlight important safety instructions and any advice relating to the device. The instructions should be followed very carefully to avoid any risk of accident, personal injury or material damage.



WARNING!

This symbol highlights hazards which could lead to injury.



WARNING!

This symbol highlights dangerous situations which could lead to injury or death.



CAUTION!

This symbol highlights dangerous situations which could lead to light injuries, or damage, malfunction, and/or destruction of the device.



NOTE!

This symbol highlights recommendations and information aimed for effective and trouble-free device operation.

1.3 Proper use

The operational safety of the device is assured only in case of proper use, according to the operation manual.

All technical activities like installation and maintenance must be performed by the qualified service personnel only.

The device is intended for home use or in similar places such as:

- in kitchens, for store or office employees or in other service locations;
- in agricultural holdings;
- by guests of hotels, motels and other typical places of accommodation;
- in Bed & Breakfasts.

The hand dryer is intended only for **drying hands.**

The device is designed for use in bathrooms, toilets and kitchens.



CAUTION!

Any use going beyond the intended purpose and/or any different use of the device is forbidden and is not considered as conventional.

Any claims against the manufacturer or his authorized representative as a consequence of experiencing damages resulting from unconventional use are impossible.

The operator is liable for all damages resulting from inappropriate use.

2. General information

2.1 Liability and Warrantees

All the information and instructions in this manual take into account standard safety regulations, current levels of technical engineering as well as the expertise and experience we have developed over the years.

The instruction manual was translated with all due care and attention. However, we do not accept liability for any translation errors. The German version of this instruction manual is definitive.

If the delivery consists of a special model, the actual scope of delivery may differ from the descriptions and illustrations in this manual. This is also the case for special orders or when the device has been modified in line with new technology.



CAUTION!

Read this manual carefully and thoroughly before any operation of the device, and especially before turning it on!

Manufacturer **is not liable** for any damages or faults caused by:

- violation of advice concerning operation and cleaning;
- use other than designed;
- alterations made by user;
- use of inadequate spare parts.

We reserve the right to make technical changes for purposes of developing and improving the useful properties.

2.2 Copyright protection

The instruction manual including any texts, drawings, images or other illustrations is copyright. No part of this publication may be reproduced, transmitted or used in any form or by any means without permission in writing from the manufacturer. Any person who commits any unauthorized act in relation to this publication shall be liable to claims for damages. All rights reserved.



NOTE!

The contents, texts, drawings, pictures and any other illustrations are copyright and subject to other protection rights. Any person unlawfully using this publication is liable to criminal prosecution.

2.3 Declaration of conformity



The device complies with the current standards and directives of the EU. We certify this in the EC declaration of conformity. If required we will be glad to send you the according declaration of conformity.

3. Transport, packaging and storage

3.1 Delivery check

Please check the delivery upon completeness and transport damage immediately after receipt. In case of visible damage do not accept or accept the delivery with reservation only.

Note the extent of damage on the carrier's bill of delivery. Trigger off the complaint.

Hidden damages should be reclaimed immediately after notice, as claims for damages can only be asserted within the effective period for complaints.

3.2 Packaging

Please do not throw away the covering carton of your device as it might be useful for storage purposes, when moving or, in case of damages, when the device must be sent back to a repair center. The outer and inner packing material should be removed completely from the device before installation.



NOTE!

If you liked to dispose the packing, consider the regulations applicable in your country. Supply re-usable packing materials to the recycling.

Please inspect the device upon completeness. In case any part is missing please contact our customer service center immediately.

3.3 Storage

Keep the package closed until installation and under consideration of the outside indicated positioning- and storage markings.

Packages should be stored under consideration of the following:

- Do not store outdoors.
- Keep it dry and dust-free.
- Do not expose it to aggressive media.
- Do not expose it to direct sunlight.
- Avoid mechanical shocks and vibration.
- In case of longer storage (> 3 months) make sure you check the state of the packaging and the parts regularly.
If required refresh or renew.

4. Technical data

4.1 Overview of parts



- 1** Digital display
- 2** **ON/OFF** switch
- 3** LED lighting (red)
- 4** Lower sensor
- 5** Upper sensor
- 6** Air nozzle strips (2)
- 7** Housing
- 8** Condensation receptacle

4.2 Technical specification

Name	Hand dryer Jet 1800 wall-mounted
Code-No.:	850002
Construction:	Plastic housing, silver-grey coated
Power:	1.8 kW / 230 V 50 Hz
Dimensions:	W 295 x D 240 x H 650 mm
Air flow rate:	approx. 47 litres/sec.
Weight:	10.2 kg
Equipment:	Fastening material

We reserve the right to make technical changes!

Properties

- 2 high-performance air nozzles allow for fast and through hand drying. This efficient hand drying method is both hygienic and economical.
- Contactless infrared activation
- Automatic switch-off after 30 seconds
- Digital display
- Red LED lighting in air shaft
- Removable receptacle for condensation at the bottom of the device, capacity: 0,5 litre
- Air filter

5. Installation and operation

5.1 Installation

Mounting

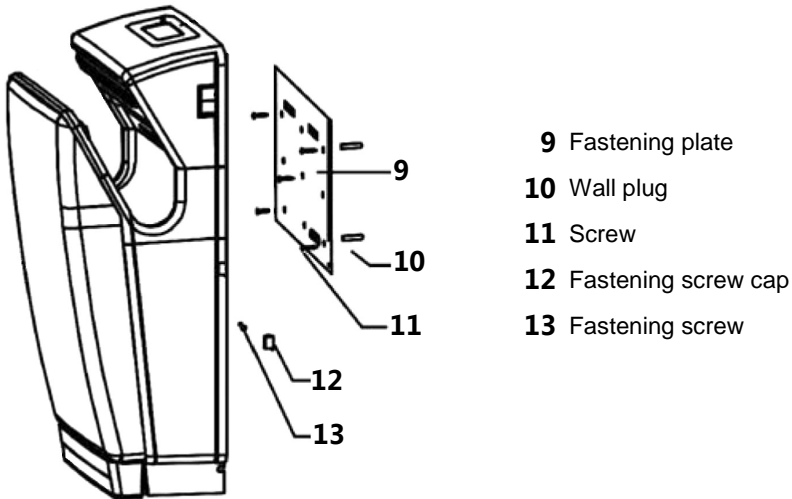
- Unpack the device and remove the packing material.



CAUTION!

Never remove the nameplate and warning signs from the device.

- Prepare everything needed to install the device.
- Install the hand dryer so that it is located directly on the way from the sink to the exit, as this will allow the user easy access to the device.
- Install the device at a height of 800 - 850 mm over the floor.



- Loosen both fastening screws **13** under the caps **12**.
- Next, remove the upper fastening plate **9** from the rear of the device by sliding it down from the hooks.

- Make marks at the desired height for drilling with the fastening plate held up against the wall. Drill holes and place wall plugs **10** inside. Use the supplied screws **11** to mount the fastening plate **9** to the wall.
- Place the dryer on the fastening plate **9** so that it is securely on the hooks of the fastening plate **9**.
- Before mounting the device on the fastening plate, run the power cord through the openings at the rear of the device and secure it in them.
- Turn the fastening screws **13** and attach the fastening screw caps **12**.
- Place the device so that the plug is easily accessible so as to quickly disconnect the device if the need arises.

Connection



DANGER! Electric shock hazard!

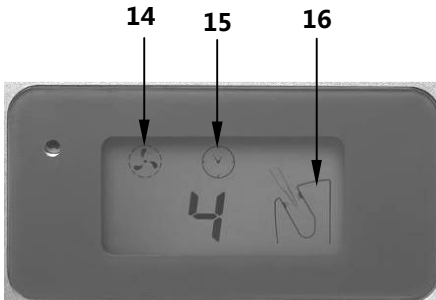
The device can cause injuries due to improper installation! Before installation and connecting the local power grid specification should be compared with that of the device (see rating plate). Connect the device only in case of compliance! Connect the device only to properly installed single socket with protective terminal.

- The electrical circuit in the socket must be secured to at least 16A. Only connect the device directly to the wall socket; do not use any extension cords or power strips.

5.2 Operation

- Plug the device into a suitable socket.
- Turn the device on using the **ON/OFF** switch.
- The digital display will show the operating mode, „0“ time counter and a diagram showing how to place hands inside the device.
- The red LED lighting in the air shaft will come on.

Digital display



14 Operating mode indicator

15 Time counter

16 Instructional diagram

Drying of hands

- Place your hands deeply into the air shaft. The upper and lower infrared sensors will be activated and the device will come on automatically.
- Warm air will flow from the air nozzles and dry your hands.
- The operating mode and time in seconds will be displayed. After 30 seconds the device will automatically shut off.
- When your hands are dry, remove them from the air shaft. This will deactivate the infrared sensors and the device will automatically turn off. The ventilator will continue working for 3 seconds to cool the device down.



- The device is equipped with a condensation receptacle which must be regularly cleaned.



- If the device is to remain unused for a longer time, turn it off using the **ON/OFF** switch and remove its plug from the socket.

6. Cleaning



WARNING!

Disconnect the device from the power supply (unplug!) before cleaning.

The device is not designed to be rinsed with running water.

Do not use a pressure washer to clean the device!

Be careful and do not let the water into the device.

- Clean the device regularly.
- Clean the device's housing with a soft, moist cloth and a disinfecting substance.
- **Never** use harsh cleaning agents or sprays.
- Regularly remove the condensation receptacle, empty it and clean it with warm water and a mild cleaning agent. Ensure it is thoroughly dry before replacing it in the device.
- **Never** use flammable cleaning substances (spirit, etc.) as this will create a risk of fire and explosion when the device is activated again.
- Always use a soft cloth, **never** use aggressive cleaners that may scratch the device.
- After cleaning, dry the device's surface and polish it with a dry cloth.

Storage of the device

- If the device is not used for any lengthy period of time, clean it according to the aforementioned description and store it in dry, clean place protected against cold, sun and children. Do not place any have objects on the device.

7. Waste disposal

Discarding old devices

At the end of its service life the discarded device has to be disposed in accordance with the national regulations. It is advisable to contact a company which is specialized in waste disposal, or just contact the local disposal service in your community.



WARNING!

To exclude any abuse and the dangers involved make the waste device unfit for use before disposal. For that purpose disconnect device from mains supply and remove mains connection cable from the device.



CAUTION!



For the disposal of the device please consider and act according to the national and local rules and regulations.