

LUZVINI
WINE CELLARS

Compressor wine cooler

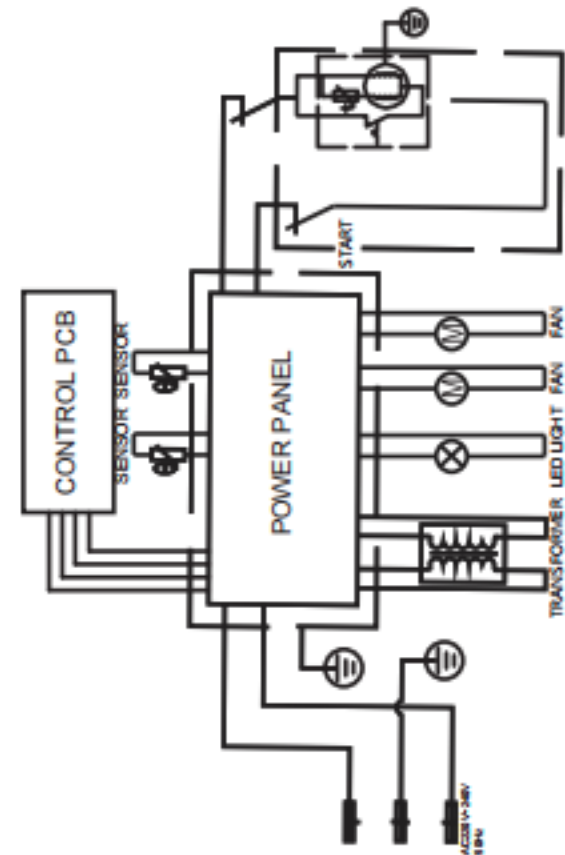
Model No.: LV22
Rated Voltage: 220-240V~
Rated Frequency: 50Hz
Rated Power: 75W
Volume: 53L
Protection Type: I
Climate Type: ST,SN,N
Blowing Gas: C-PENTANE
Lamp Power: 0.5W

Production

Date: -----

Production

No.: -----



Electrocircuit Line Diagram

ISO9001:2015



LuzVini, Eindhoven,
The Netherlands