
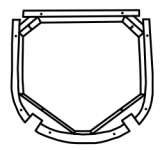
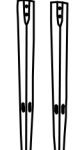

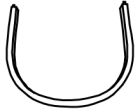
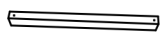









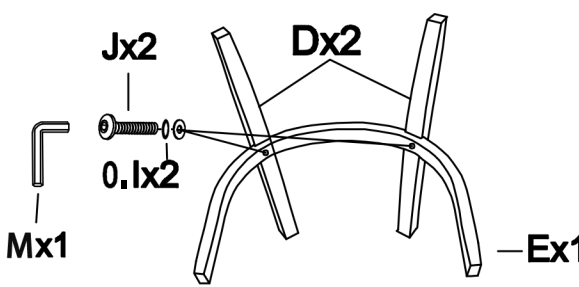


ASSEMBLY INSTRUCTIONS

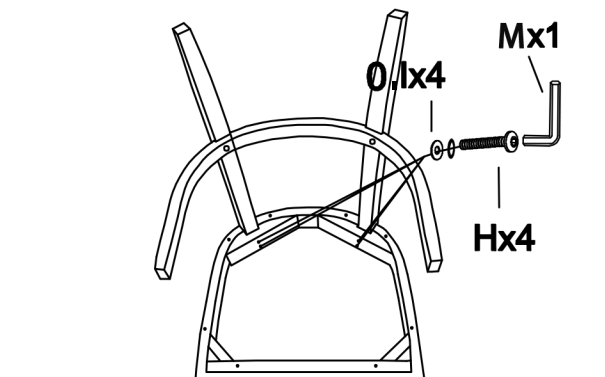
Ax1  seat rest	Bx1  seat frame	Cx2  front legs	Dx2  back legs	Ex1  fixed part
Fx1  front footboard	Gx4  M8x60mm screw	Hx4  M8x50mm screw	Ix10  washers	Jx2  M8x40mm screw
Kx10  Φ4X50mm tapping screw	Lx2  Φ4X30mm tapping screw	Mx1  allen key	Nx1  Allen key	Ox10  washers

1



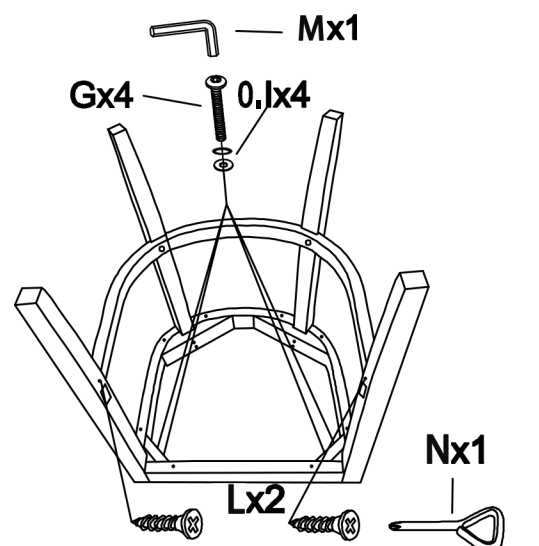
Useing 2 pcs screw with washers hand tighten to 80%

2



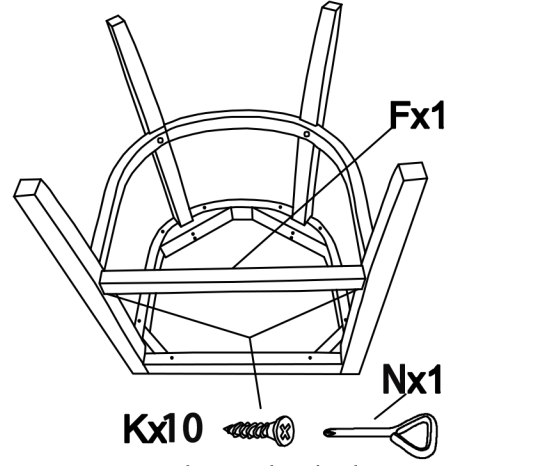
Useing 4 pcs screw with washers hand tighten to 80%

3



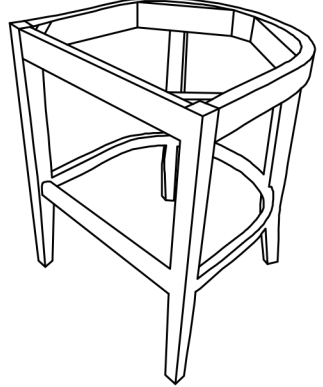
useing 4 screws with washers, using tapping screws, hand tighten to 80%

4



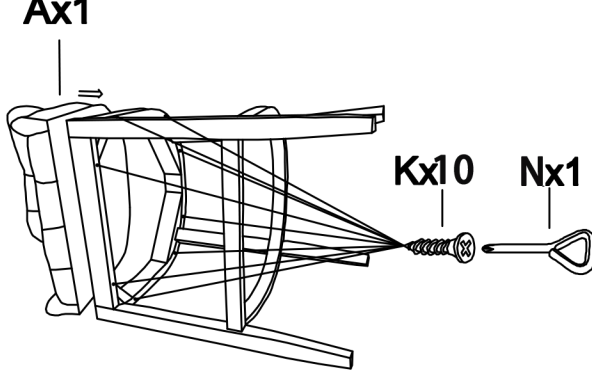
open two front legs lightly, put Fx1 inside then using Kx10, hand tighten to 80%

5



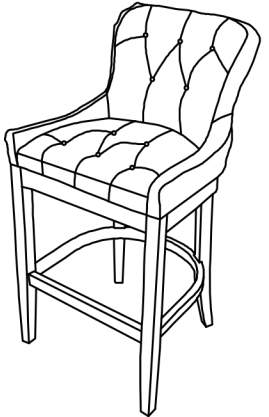
Apply downward pressure on the seat frame to ensure the chair is level before tightening all screws firmly with allen key (tight to 90%)

6



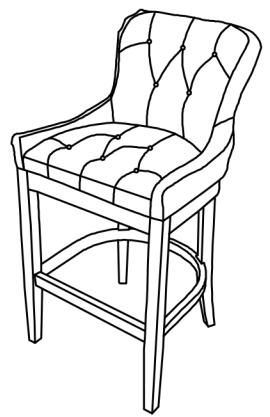
Useing 8 pcs K Tapping screw, hand tighten to 100%

7



Apply downward pressure on the seat pad to ensure the chair is level before tightening all screws firmly with allen key (tight to 100%)

8



Don't stand on, or use this chair as a step ladder. Should be checked periodically to ensure all components are secure and all hardware is tight.