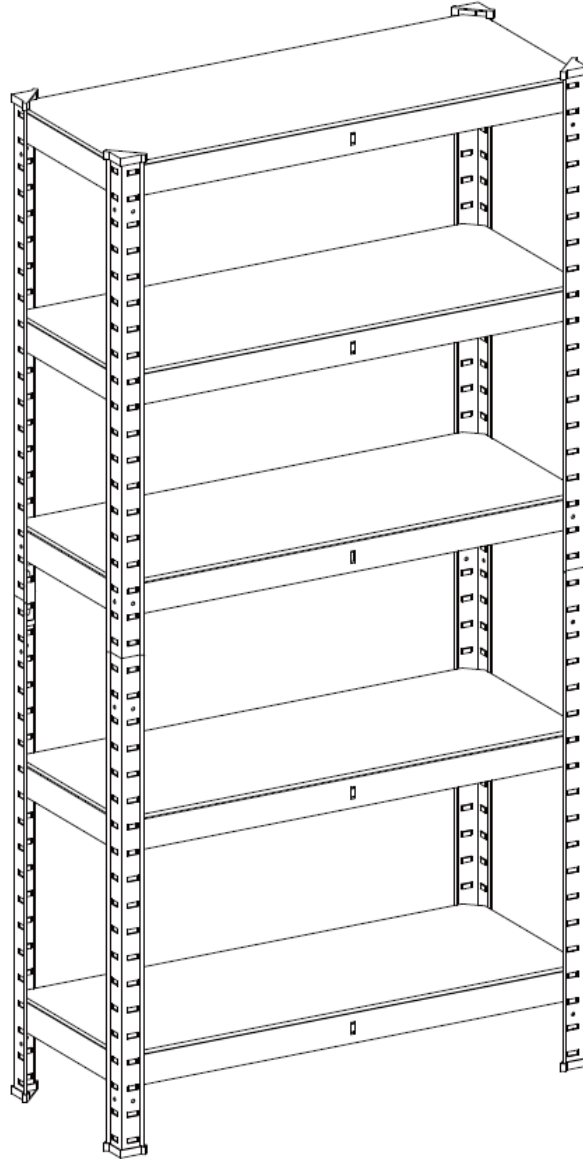


# BRASQ<sup>®</sup>

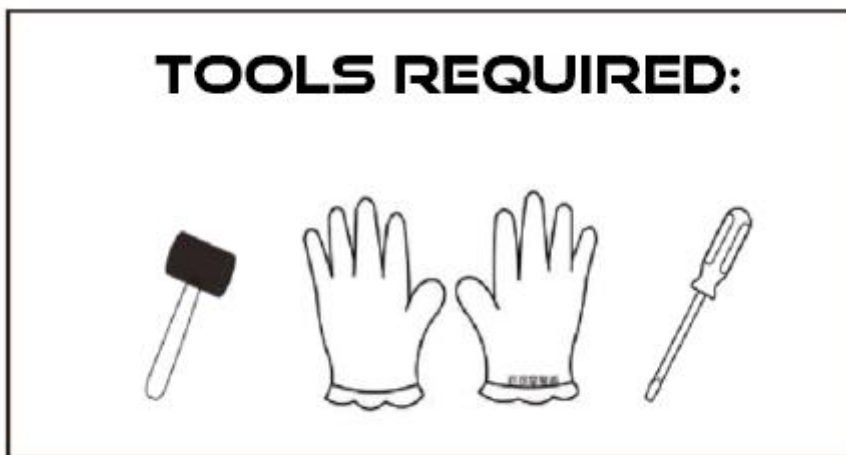
## INSTRUCTION MANUAL SHELVING UNIT SU175



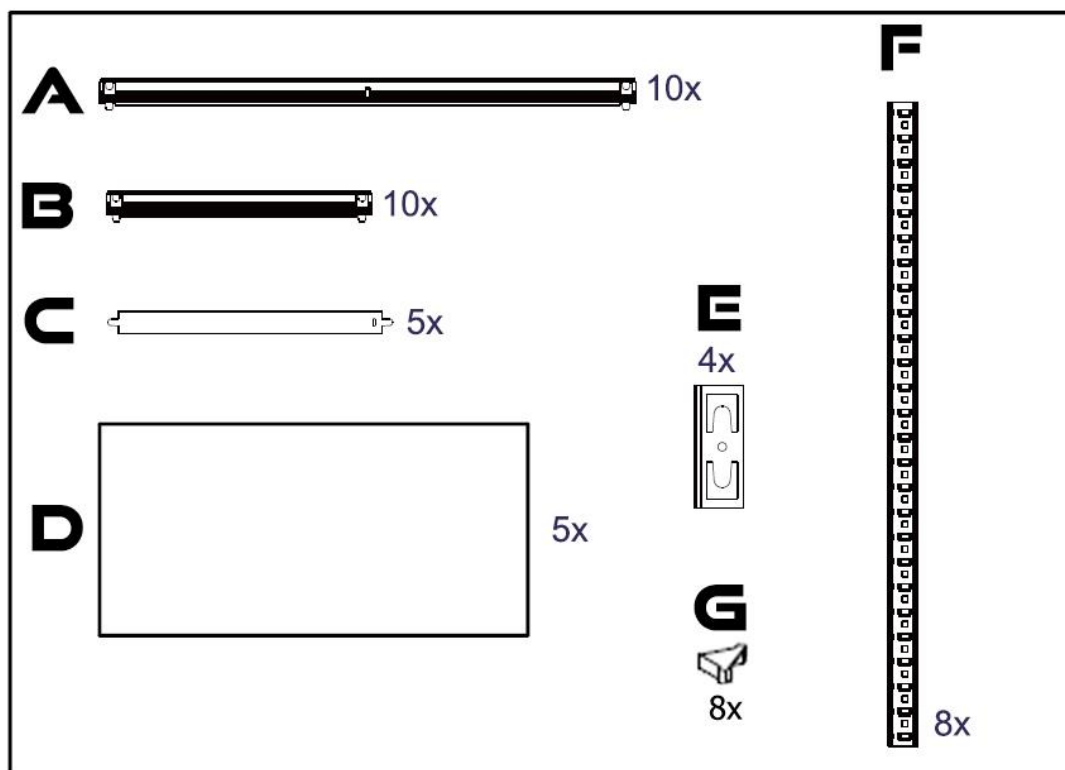
8752601	BRASQ Shelving unit SU175	Silver	8720929101344
8752601-2SET	BRASQ Shelving unit SU175	Silver	8720929102839
8752602	BRASQ Shelving unit SU175	Black	8720929101351
8752602-2SET	BRASQ Shelving unit SU175	Black	8720929102846
8752605	BRASQ Shelving unit SU175	White	8720929104512

Thank you for purchasing our product. We hope you will be completely satisfied with this product. To ensure this, please read these instructions carefully before use and keep them in a safe place.

### TOOLS REQUIRED:



### PARTS LIST:



## PRODUCT USE:

### Warning:

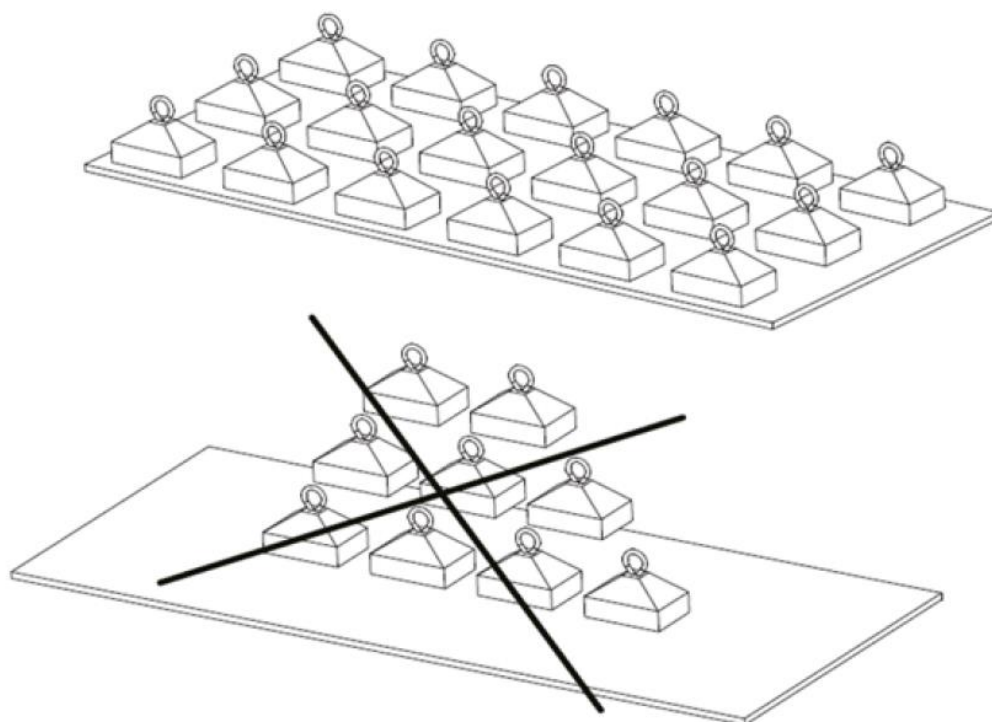
- \* Do not pinch your hand when hammering
- \* Store/Place in dry conditions.
- \* Divide your weight equally.
- \* 175 KG per shelf maximum loading.



175 KG PER SHELF



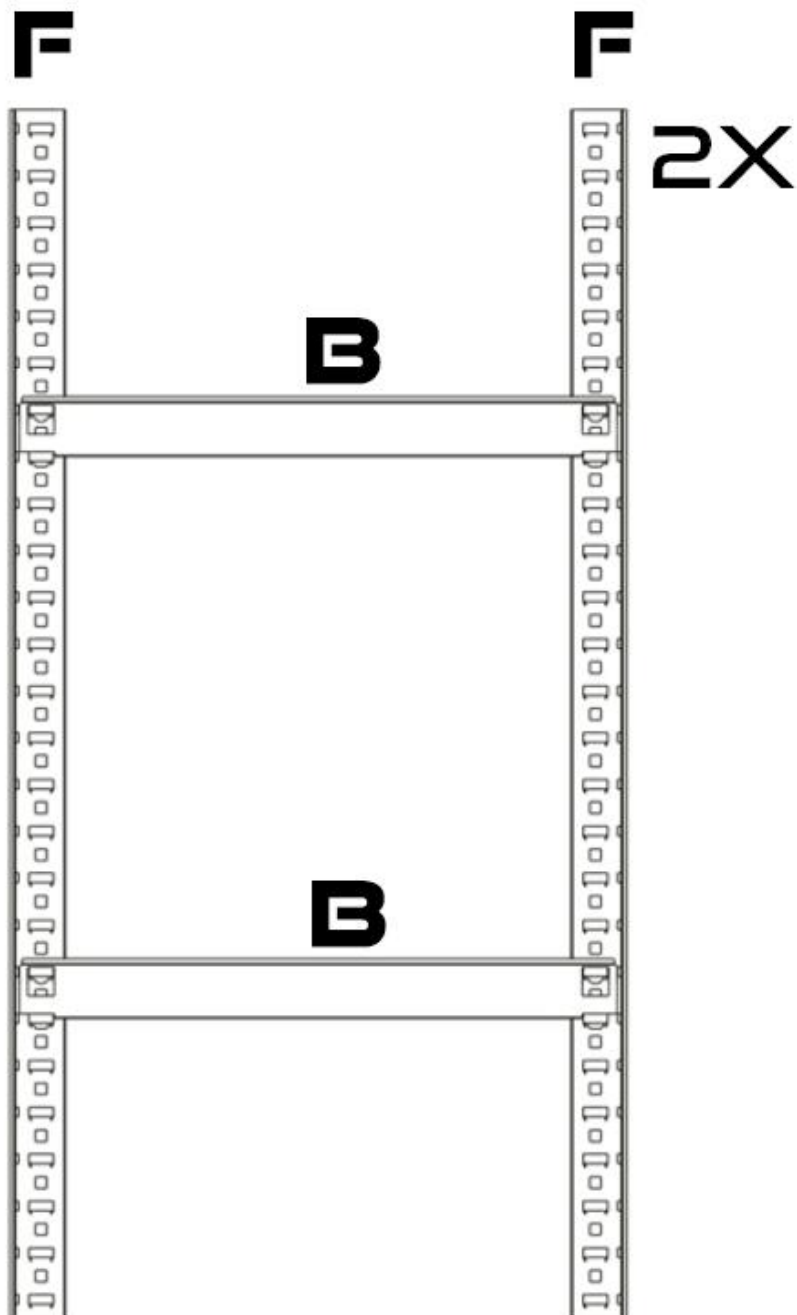
MAX: 875 KG



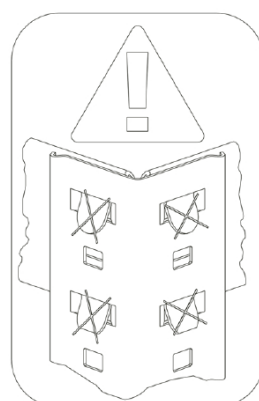
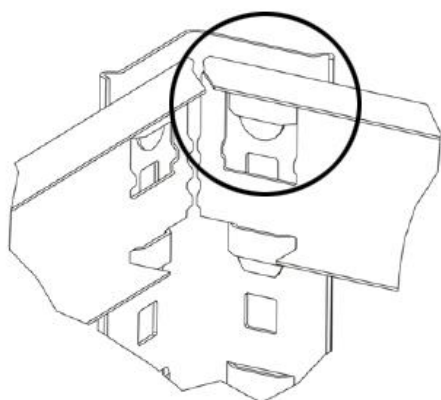
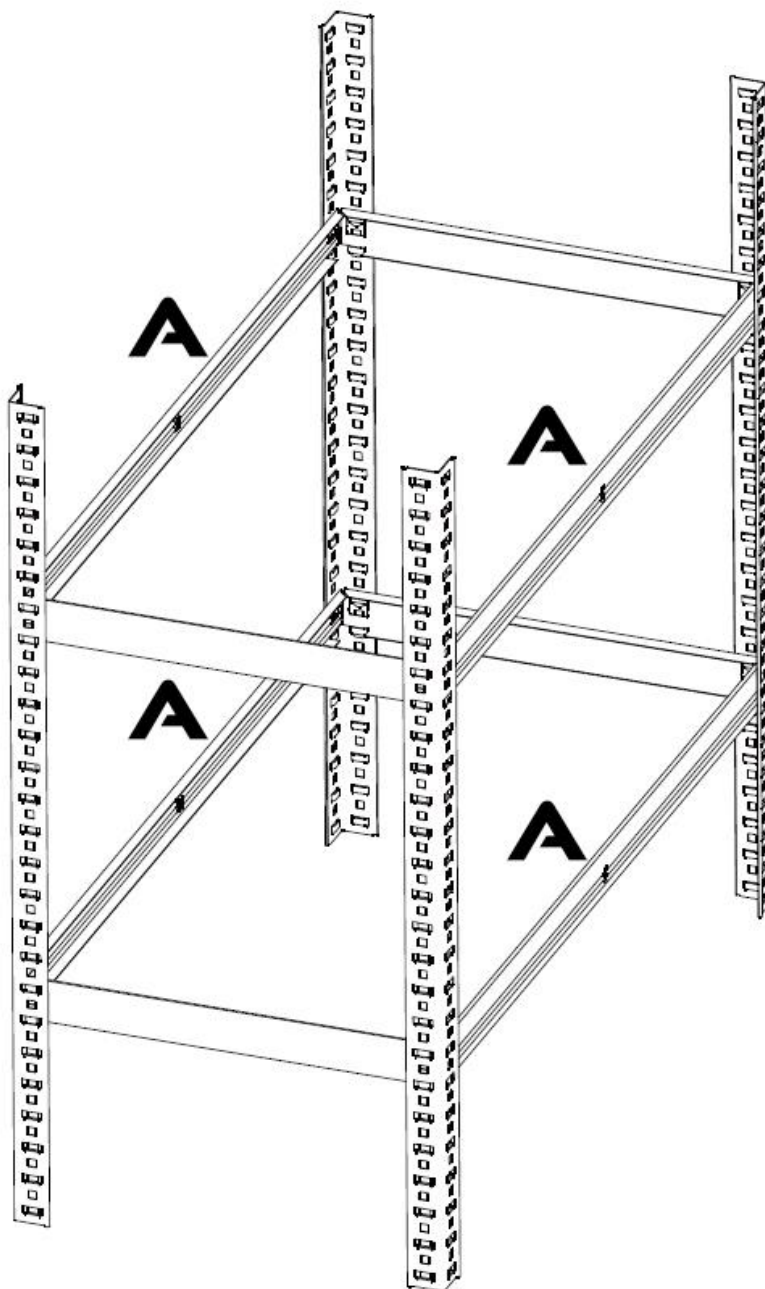
## CONSTRUCTION:

### Step 1.

Make this frame 2 times.

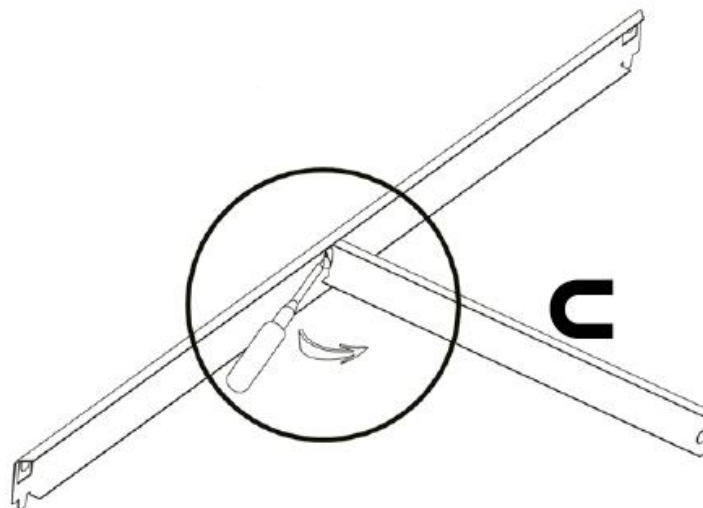
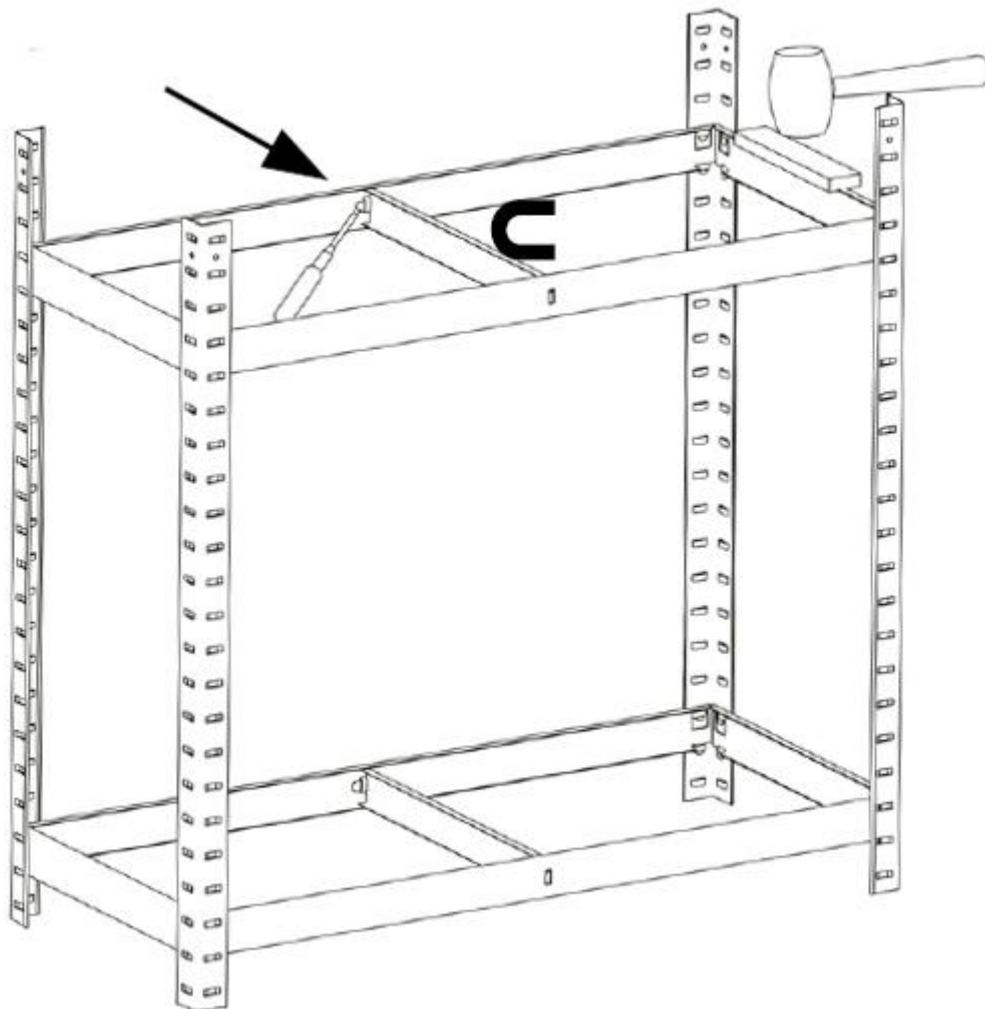


**Step 2.**  
Connect the side beams: A



**Step 3.**

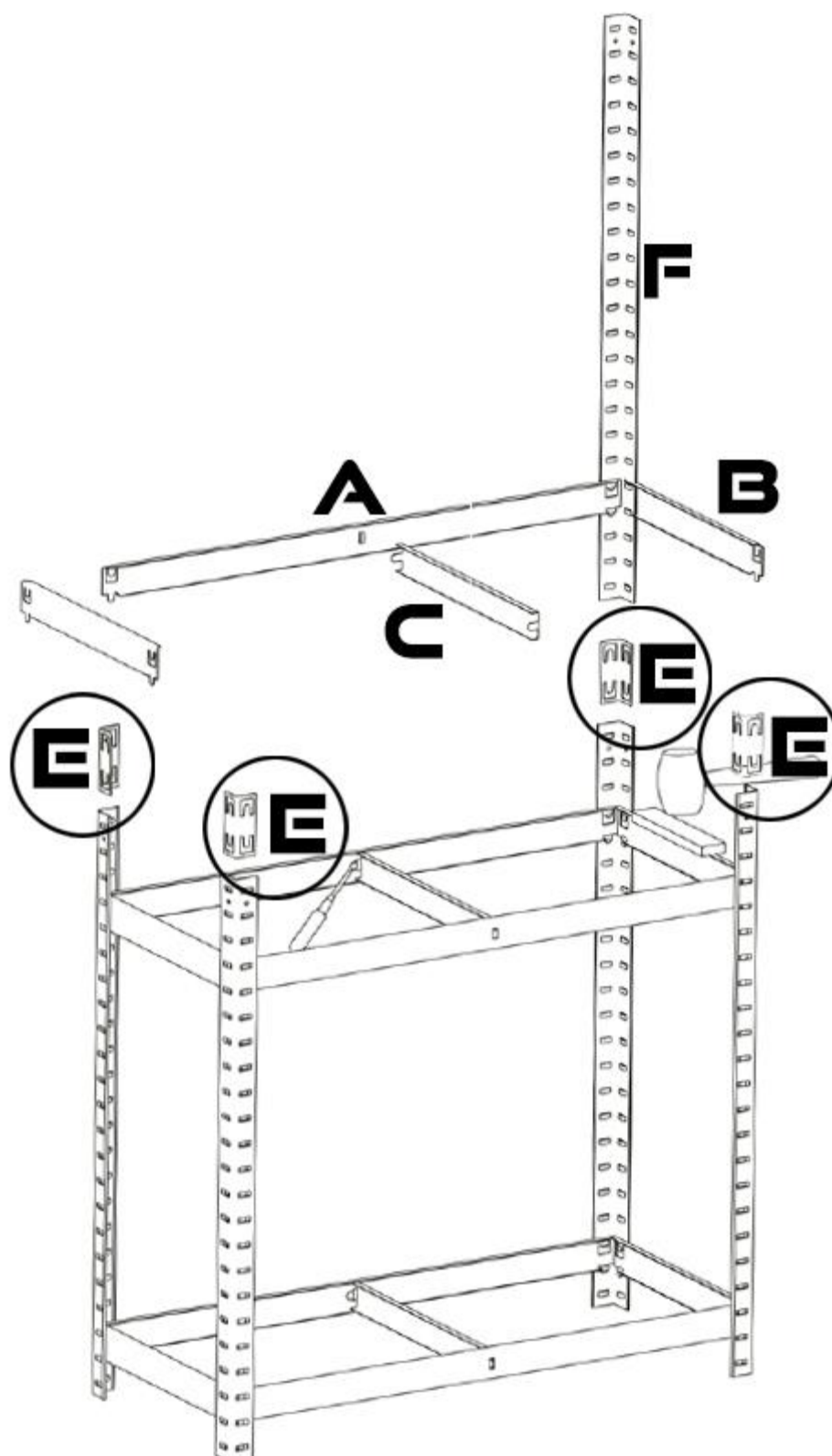
Connect the middle beams: C



**Step 4.**

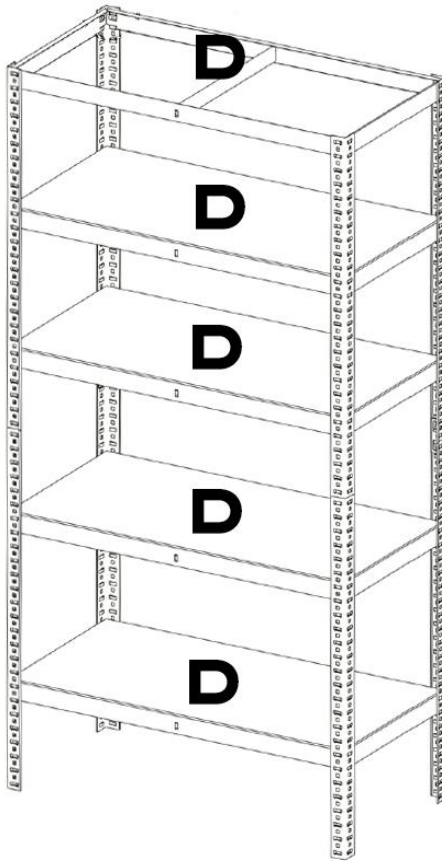
After finish bottom part, add connector: E

Then add: F,B,A,C

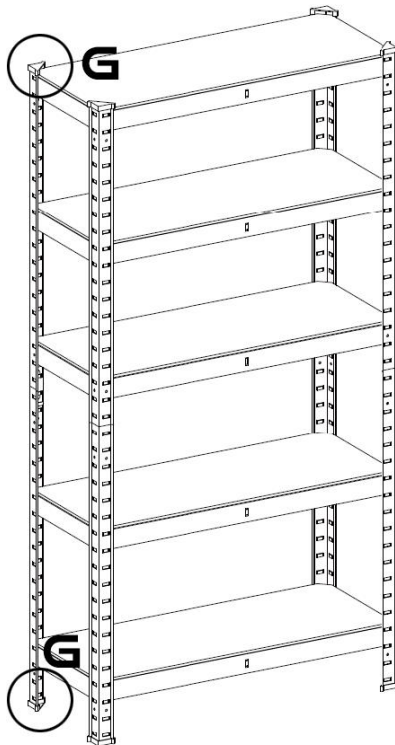


**Step 5.**

After finish frame. Insert the wood shelves.



Add feet and/or top corners: G



Enjoy your BRASQ product.