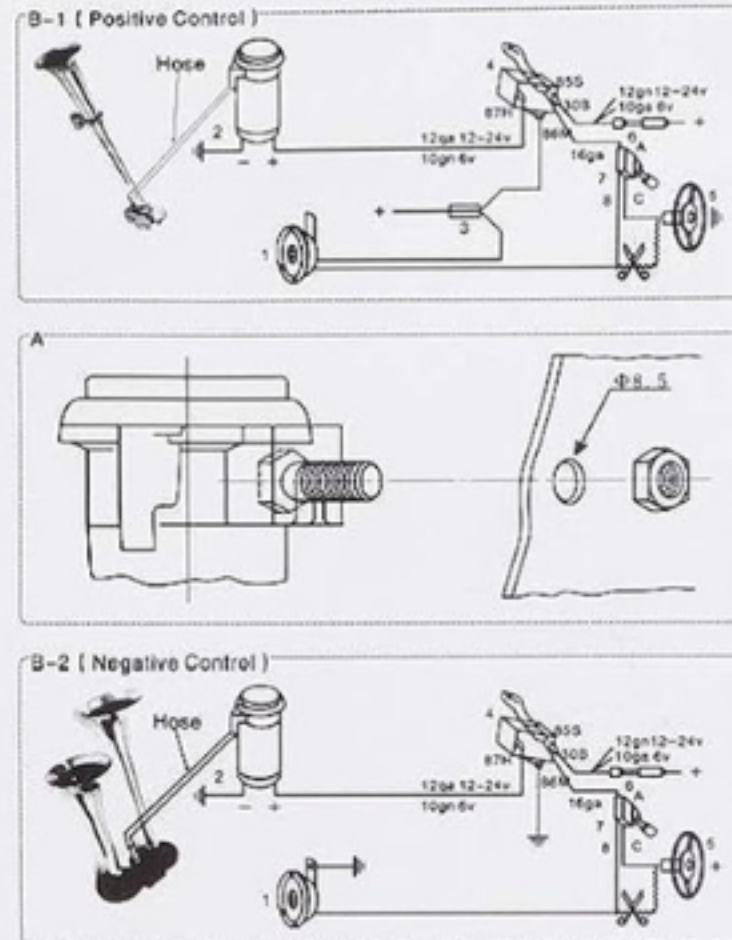


INSTRUCTIONS

Compressor must be mounted in a vertical position, far away from hot engine parts. Install horns slightly inclined downwards. Wiring must be as indicated on out installation instructions, connections should be short to obtain minimum dropping of voltage. Air hose should be as short as possible to ensure efficient working of the horns. **PAY ATTENTION TO THE POLARITY!** Connect the positive terminal of the compressor to the positive of the electric system, and the negative terminal to the negative.

CE

Install Instruction



Note: 1. Standard Horn 2. Compressor 3. Fusible existent 4. Relays 5. Horn switch on steering wheel 6. Fuse 7. Selector switch

