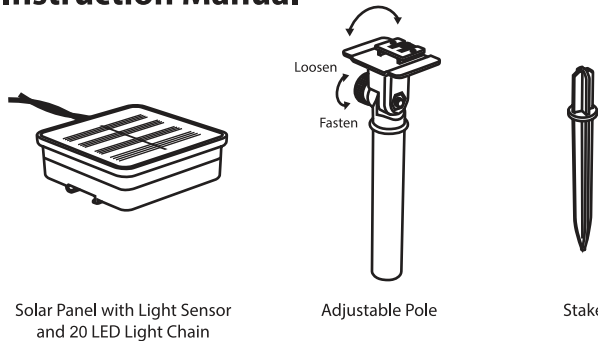


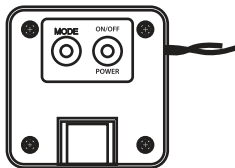
# 20 LED Solar Rain Drop Light

## Instruction Manual



### Starting up

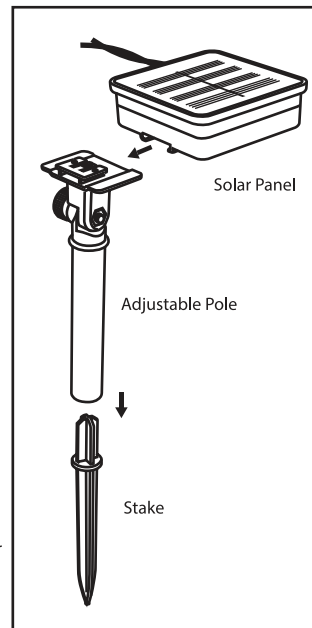
**Attention:** Please remove the transparent protection foil carefully from the solar cells.



To use the light chain please press ON/OFF button on. Now you can use the light chain. This light chain has two modes of operation. Please press MODE button to choose.  
1) STAY ON 2) FLASHING

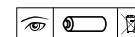
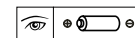
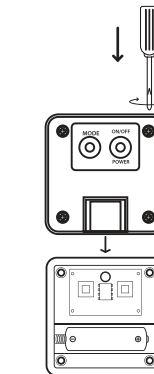
Please allow the battery to charge at least 8 -12 hours before first use. It can light 6-8 hours. When you charge the battery please place it under sunlight, the solar cell converts sunlight into electricity during the day and recharges the battery. At night, the light chain will turn on automatically using the electricity stored during the day. The battery needs this time in order to reach its full capacity, loading the battery only partly, will drastically reduce the life span of the battery.

### Assembly with stake



### Battery replacement

1. Loosen 4 screws as above, and take down the plastic cover
2. Put 1pcs AA 300MAH NI-MH battery replace old one.
3. Put plastic cover back and tighten 4 screws



**!** only use rechargeable  
1x NiMH Battery (1.2V 300mAh)