



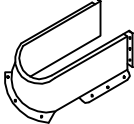


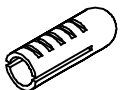


<p>A</p>  <p>x4</p>	<p>B</p>  <p>x49</p>	<p>C</p>  <p>x49</p>	<p>D</p>  <p>$\Phi 3.5 \times 14\text{mm}$ x37</p>
<p>E</p>  <p>x1</p>	<p>F</p>  <p>x2</p>	<p>G</p>  <p>$\Phi 5 \times 50\text{mm}$ x2</p>	<p>H</p>  <p>x2</p>

