



General Artwork Information	Colors / decoration	Printing technology / finishing technology	Packaging Information	Formula Information	Internal Data
Brand: Hansaplast	PANTONE 2747 C	Offset	Packagingtype: Foldingbox	Formula Color (if visible):	Master: BRV.10308300.000.01
Subbrand: Wound Plasters	PANTONE 3546 C	Offset	Packaging Color:	Filling Good NART: NOT NEEDED	Internal No.: 403473539
Range: PLST FAST HEALING	Cyan	Offset	Printed Material:		File: 403473539.ai
Product: FAST HEALING 8 PATCHES LARGE	Magenta	Offset	Material Color: White		1. setup: 2023-10-10 AA
SPGR: 45629	Yellow	Offset	Content: 8 Patches		1. correction: 2023-10-13 AA
Project: Fast Healing Belgium	Black	Offset	Die Cut: 3C401269 (10221403)		Final artwork date: 2023-10-13 IG
Project-ID: 210850_Belgium	White 1	Offset	Important Information:	Typography	
Local Artwork Information:	Gloss Lacquer	Offset		AkkuratL, HelveticaNeue, HelveticaNeueLTWIG, NewhouseDTCond	
Language Type: Multi3-Multi4	Protective Lacquer	Offset			
Country: FR, HQ, NL, ES, BE	Hotfoil Silver	Hotfoil			
Artwork No.: DRV.DRV25369.000.02	Embossing	Embossing			
Finished Good NART: 45629-00001-48	Embossing 2	Embossing			
Packaging NART: 34505-90122-00					
GTIN: 4006000036885					
B-Code (APB Code): CNK 4749-313					

The following needs to be checked locally: Local Brand Manager: Local Artwork Information field, Design (esp. for regional deviations), Claims, overall correctness; Legal: Claim support, Risk assessment
According to your regional specifications please invite the respective expert functions as additional approvers: PackDev: Packaging Information field R&D: Formula, INCI, Safety Instructions
Any Barcode is for viewing purposes only. It does not contain any printing process or press specific modifications.
The printer is responsible for the correct reproduction and the readability of the printed code.

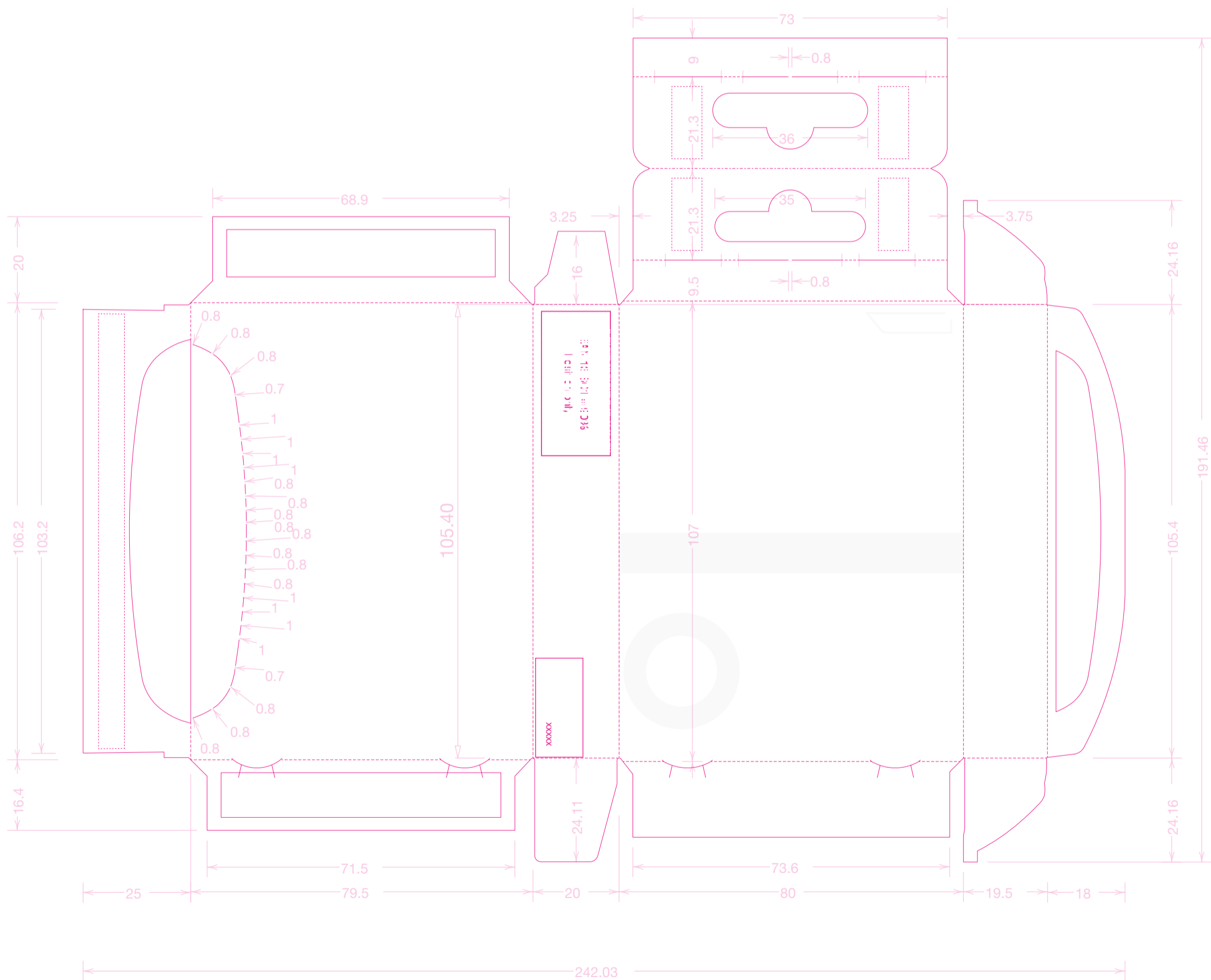




SGK Germany GmbH
 Balanstrasse 73
 DE-81541 München
 T: +49 89 961 00 60
 F: +49 89 961 00 620
 E: bdf.munich@sgkinc.com
 W: www.sgkinc.com

SGK is a Matthews International corporation

General Artwork Information	Colors / decoration	Printing technology / finishing technology	Packaging Information	Formula Information	Internal Data
Brand: Hansaplast Subbrand: Wound Plasters Range: PLST FAST HEALING Product: FAST HEALING 8 PATCHES LARGE SPGR: 45629 Project: Fast Healing_Belgium Project-ID: 210850_Belgium	<input type="checkbox"/> PANTONE 2747 C <input type="checkbox"/> PANTONE 3546 C <input type="checkbox"/> Cyan <input type="checkbox"/> Magenta <input type="checkbox"/> Yellow <input type="checkbox"/> Black <input type="checkbox"/> White 1	Offset Offset Offset Offset Offset Offset	Packagingtype: Foldingbox Packaging Color: Printed Material: Material Color: White Content: 8 Patches Die Cut: 3C401269 (10221403)	Formula Color (if visible): Filling Good NART: NOT NEEDED	Master: BRV.10308300.000.01 Internal No.: 403473539 File: 403473539.ai 1. setup: 2023-10-10 AA 1. correction: 2023-10-13 AA Final artwork date: 2023-10-13 IG
Local Artwork Information: Language Type: Multi3-Multi4 Country: FR, HQ, NL, ES, BE Artwork No.: DRV.DRV25369.000.02 Finished Good NART: 45629-00001-48 Packaging NART: 34505-90122-00 GTIN: 4006000036885 B-Code (APB Code): CNK 4749-313	<input type="checkbox"/> Gloss Lacquer <input type="checkbox"/> Protective Lacquer <input type="checkbox"/> Hotfoil Silver <input type="checkbox"/> Embossing <input type="checkbox"/> Embossing 2	Offset Offset Hotfoil Embossing Embossing	Important Information:	Typography AkkuratLL HelveticaNeue, HelveticaNeueLTW1G, NewhouseDTCond Fallback:	
<p>The following needs to be checked locally: Local Brand Manager: Local Artwork Information field, Design (esp. for regional deviations), Claims, overall correctness; Legal: Claim support, Risk assessment According to your regional specifications please invite the respective expert functions as additional approvers: PackDev: Packaging Information field R&D: Formula, INCI, Safety Instructions</p> <p>Any Barcode is for viewing purposes only. It does not contain any printing process or press specific modifications. The printer is responsible for the correct reproduction and the readability of the printed code.</p>					





General Artwork Information	Colors / decoration	Printing technology / finishing technology	Packaging Information	Formula Information	Internal Data
Brand: Hansaplast Subbrand: Wound Plasters Range: PLST FAST HEALING Product: FAST HEALING 8 PATCHES LARGE SPGR: 45629 Project: Fast Healing Belgium Project-ID: 210850_Belgium	<input type="checkbox"/> PANTONE 2747 C <input type="checkbox"/> PANTONE 3546 C <input type="checkbox"/> Cyan <input type="checkbox"/> Magenta <input type="checkbox"/> Yellow <input type="checkbox"/> Black <input type="checkbox"/> White 1	Offset Offset Offset Offset Offset Offset Offset	Packagingtype: Foldingbox Packaging Color: Printed Material: Material Color: White Content: 8 Patches Die Cut: 3C401269 (10221403)	Formula Color (if visible): Filling Good NART: NOT NEEDED	Master: BRV.10308300.000.01 Internal No.: 403473539 File: 403473539.ai 1. setup: 2023-10-10 AA 1. correction: 2023-10-13 AA Final artwork date: 2023-10-13 IG
Local Artwork Information:	<input type="checkbox"/> Gloss Lacquer <input type="checkbox"/> Protective Lacquer <input type="checkbox"/> Hotfoil Silver <input type="checkbox"/> Embossing <input type="checkbox"/> Embossing 2	Offset Offset Hotfoil Embossing Embossing	Important Information:	Typography AkkuratLL, HelveticaNeue, HelveticaNeueLTW1G, NewhouseDTCCond Fallback:	
Language Type: Multi3-Multi4 Country: FR, HQ, NL, ES, BE Artwork No.: DRV.DRV25369.000.02 Finished Good NART: 45629-00001-48 Packaging NART: 34505-90122-00 GTIN: 4006000036885 B-Code (APB Code): CNK 4749-313					

The following needs to be checked locally: Local Brand Manager: Local Artwork Information field, Design (esp. for regional deviations), Claims, overall correctness; Legal: Claim support, Risk assessment
 According to your regional specifications please invite the respective expert functions as additional approvers: PackDev: Packaging Information field R&D: Formula, INCI, Safety Instructions
 Any Barcode is for viewing purposes only. It does not contain any printing process or press specific modifications.
 The printer is responsible for the correct reproduction and the readability of the printed code.

