

WOLFGANG

TOOLS

FIG. A



LEAF BLOWER

LB3000S

FIG. B

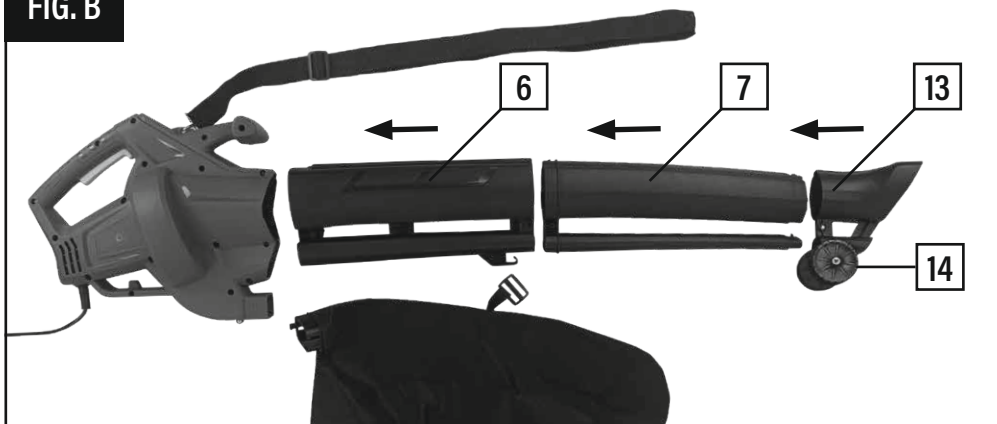


FIG. C

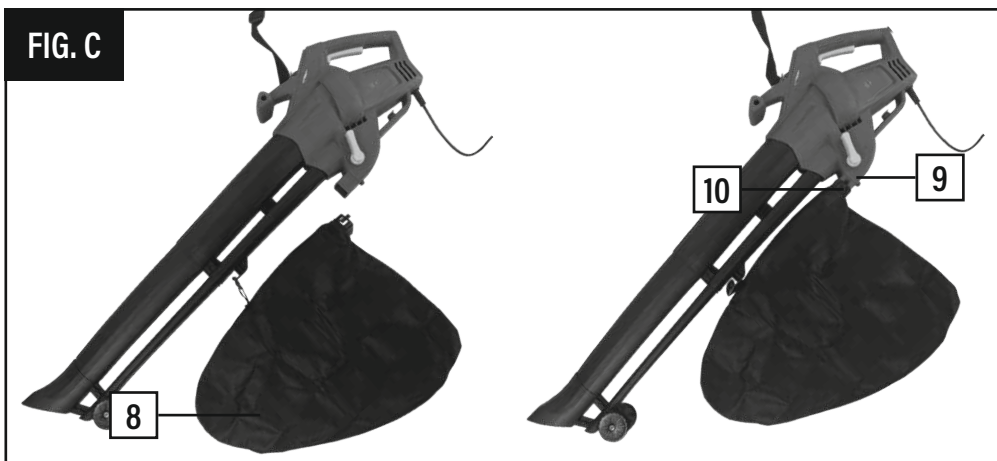


FIG. D

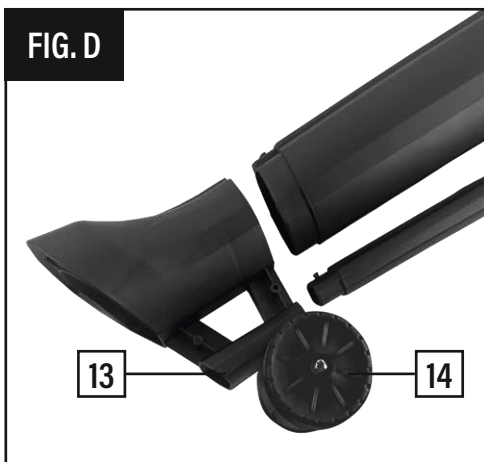
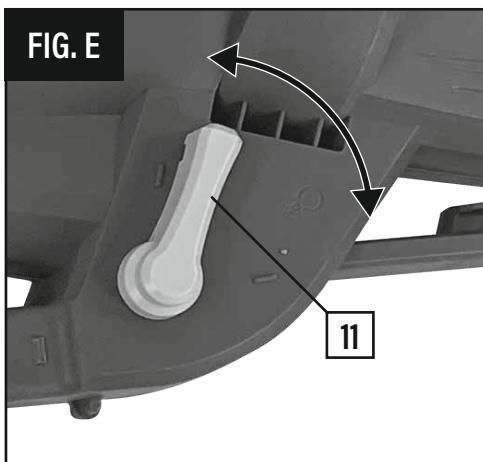


FIG. E



LEAF BLOWER 3300 W



Read the enclosed safety warnings, the additional safety warnings and the instructions. Failure to follow the safety warnings and the instructions may result in electric shock, fire and/or serious injury. Save the safety warnings and the instructions for future reference.

INTENDED USE

This power tool is intended to remove leaves from the street, garden and lawn. The fan inside the leaf blower causes a flow of air, which can be used to blow leaves away or to vacuum the leaves into the collection bag. Use this device only as describe and the areas of appliances specified. Do not use this device on people and animals, as this could lead to injury. This appliance is not intended for professional use.

1. TECHNICAL DATA

Technical specifications	
Model	LB3000S
Voltage	230-240V 50Hz
Protection class	II
Input power	3300 W
No load speed	15000 rpm
Max. blower velocity	270 km/h
Max air volume	13.2 m ³ /min
Shredding ratio	10:1
Blower bag capacity	35 L
Weight	2.6 kg
L _{PA} (sound pressure level)	92 dB(A), K=3 dB(A)
L _{WA} (sound power level)	96 dB(A)
Vibration level	2.53 m/s ² , K=1.5 m/s ²

DESCRIPTION

The numbers in the text refer to the pictures on pages: 1 - 2.

1. Main handle
2. Auxiliary handle
3. Power cord
4. Cable hook
5. On/off switch
6. Upper tube
7. Lower tube
8. Vacuum bag
9. Vacuum bag inlet tube
10. Leaf bag securing clip
11. Blow/vacuum option lever
12. Carrying belt hook
13. Wheel holder
14. Wheels
15. Carrying belt

2. SAFETY INSTRUCTIONS

The following symbols are used in the user manual or on the product:

	Warning: Read all safety warning and instructions.
	Denotes risk of personal injury, loss of life or damage to the tool in case of non- observance of the instructions in this manual.
	Risk of electric shock.
	Risk of flying objects.
	Keep bystanders away from the work area.
	Do not use in the rain or leave outdoors while it is raining.
	Wear eye protection.
	Wear ear protection.
	Warning: The fan is still rotating when open or close the cover, be careful, especially the inlet cover.

GENERAL POWER TOOL SAFETY WARNINGS - PERSONAL SAFETY



WARNING!

Read all safety warnings and all instructions. Failure to follow the warnings and instructions may result in electric shock, fire and/or serious injury.



Save all warnings and instructions for future reference. The term "power tool" in the warnings refers to your mains-operated (corded) power tool or battery-operated (cordless) power tool.

1) WORK AREA SAFETY

- a. **Keep work area clean and well lit.** Cluttered or dark areas invite accidents.
- b. **Do not operate power tools in explosive atmospheres, such as in the presence of flammable liquids, gases or dust.** Power tools create sparks which may ignite the dust or fumes.
- c. **Keep children and bystanders away while operating a power tool.** Distractions can cause you to lose control.

2) ELECTRICAL SAFETY

- a. **Power tool plugs must match the outlet. Never modify the plug in any way. Do not use any adapter plugs with earthed (grounded) power tools.** Unmodified plugs and matching outlets will reduce risk of electric shock.

- b. **Avoid body contact with earthed or grounded surfaces, such as pipes, radiators, ranges and refrigerators.** There is an increased risk of electric shock if your body is earthed or grounded.
- c. **Do not expose power tools to rain or wet conditions.** Water entering a power tool will increase the risk of electric shock.
- d. **Do not abuse the cord. Never use the cord for carrying, pulling or unplugging the power tool. Keep cord away from heat, oil, sharp edges or moving parts.** Damaged or entangled cords increase the risk of electric shock.
- e. **When operating a power tool outdoors, use an extension cord suitable for outdoor use.** Use of a cord suitable for outdoor use reduces the risk of electric shock.
- f. **If operating a power tool in a damp location is unavoidable, use a residual current device (RCD) protected supply.** Use of an RCD reduces the risk of electric shock.

3) PERSONAL SAFETY

- a. **Stay alert, watch what you are doing and use common sense when operating a power tool. Do not use a power tool while you are tired or under the influence of drugs, alcohol or medication.** A moment of inattention while operating power tools may result in serious personal injury.
- b. **Use personal protective equipment. Always wear eye protection.** Protective equipment such as dust mask, non-skid safety shoes, hard hat, or hearing protection used for appropriate conditions will reduce personal injuries.
- c. **Prevent unintentional starting. Ensure the switch is in the off-position before connecting to power source and/or battery pack, picking up or carrying the tool.** Carrying power tools with your finger on the switch or energising power tools that have the switch on invites accidents.
- d. **Remove any adjusting key or wrench before turning the power tool on.** A wrench or a key left attached to a rotating part of the power tool may result in personal injury.
- e. **Do not overreach. Keep proper footing and balance at all times.** This enables better control of the power tool in unexpected situations.
- f. **Dress properly. Do not wear loose clothing or jewellery. Keep your hair, clothing and gloves away from moving parts.** Loose clothes, jewellery or long hair can be caught in moving parts.
- g. **If devices are provided for the connection of dust extraction and collection facilities, ensure these are connected and properly used.** Use of dust collection can reduce dust related hazards.

4) POWER TOOL USE AND CARE

- a. **Do not force the power tool. Use the correct power tool for your application.** The correct power tool will do the job better and safer at the rate for which it was designed.
- b. **Do not use the power tool if the switch does not turn it on and off.** Any power tool that cannot be controlled with the switch is dangerous and must be repaired.
- c. **Disconnect the plug from the power source before making any adjustments, changing accessories, or storing power tools.** Such preventive safety measures reduce the risk of starting the power tool accidentally.
- d. **Store idle power tools out of the reach of children and do not allow persons unfamiliar with the power tool or these instructions to operate the power tool.** The power tool is dangerous in the hands of untrained users.
- e. **Maintain the power tool. Check for misalignment or binding of moving parts, breakage of parts and any other condition that may affect the power tool's operation. If damaged, have the power tool repaired before use.** Many accidents are caused by poorly maintained power tools.
- f. **Use the power tool, accessories in accordance with these instructions, taking into account the working conditions and the work to be performed.** Use of the power tool for operations different from those intended could result in a hazardous situation.

5) SERVICE

- a. **Have your power tool serviced by a qualified person using only identical replacement parts.** This will ensure that the safety of the power tool is maintained.

ADDITIONAL SAFETY WARNINGS FOR THE POWER TOOL

- Dispose plastic bags safely - they are a suffocation hazard for young children.
- Keep the area you are working in clean and tidy. Do not use the power tool in the rain or wet environments.
- We strongly recommend the use of an RCD (Residual Current Device) of not more than 30 mA, at the plug socket when using this appliance.
- Do not use the power tool where there is a risk of fire or explosion - i.e. near flammable liquids or gases.
- Do not allow people especially children or pets into the area where you are working.
- Do not let children or other people touch the power tool.
- Store in a dry place well out of reach of children.
- Always use safety glasses. We also recommend the use of ear protectors.
- Wear the right clothes (long trousers) - not loose fitting or jewellery and ensure garments cannot come into contact with moving parts.
- Wear non-slip shoes. Do not wear sandals or open-toed shoes.
- If you have long hair, tie it back safely to avoid tangling it in moving parts.
- Before using any power tool, check first for damaged parts and if found do not use them before the part or parts have been replaced with new ones.
- Do not use the power tool when you are tired or have been drinking alcohol.
- Do not overreach while working - you may lose your balance.
- You must switch off your power tool at the on/ off switch after use.
- Only use this appliance for its intended purpose - blowing or sucking up leaves.
- Do not point the power tool at people or animals.
- Do not blow debris in the direction of people or animals, as this could lead to injury.
- Operate the power tool only in daylight or in a good artificial light.
- Do not place your hand inside the blower tube or bag until the power tool has been switched off and the plug removed from the power supply.
- Only use extension leads that are suitable for outdoor use. The cord must be kept away from excessive heat, oil, solvents and sharp edges.
- Do not use the power tool to remove liquids of any kind.
- Do not vacuum hot or burning materials i.e. fire embers, matches, recently extinguished cigarette stubs.
- Never operate the power tool without the bag securely fitted.
- Periodically check that all bolts and screws are tight.
- The operator or user is responsible for accidents or hazards occurring to other people or their property.
- To prevent dust irritation we recommend the wearing of a face mask.
- Always direct the cable to the rear away from the power tool.
- Do not carry the power tool by the cable.

DISCONNECT THE POWER TOOL FROM THE MAINS SUPPLY:



- Before clearing a blockage.
- Before checking, cleaning or maintaining the power tool.
- If the power tool starts to vibrate abnormally.
- Whenever you leave the power tool.
- Always be sure of your footing on slopes.
- Walk, never run.
- Keep all cooling air inlets clear of debris or obstructions.
- Keep all nuts, bolts and screws tight to be sure the power tool is in safe working condition.
- Check the debris collector frequently for wear or deterioration.
- Replace worn or damaged parts.
- Use only genuine replacement parts and accessories.

IMMEDIATELY REMOVE THE MAINS PLUG FROM THE MAINS:

- When you are not using the power tool.
- When you are checking, cleaning or removing blockages from the power tool.
- When the power tool is damaged.
- In case of abnormal sparking.
- Interruption of the mains plug, or mains lead are damaged.
- Defect switch.
- Smoke or stench of scorched isolation.

ELECTRICAL SAFETY

When using the power tool always observe the safety regulations applicable in your country to reduce the risk of fire, electric shock and personal injury. Read the following safety instructions.

	Always check that the voltage of the power supply corresponds to the voltage on the rating plate label.
	Class II machine - Double insulation

If operating a power tool in a damp location is unavoidable, use a residual current device (RCD) protected supply. Use of an RCD reduces the risk of electric shock.

REPLACE POWER CORDS

If the supply cord is damaged, it must be replaced by the manufacturer, its service agent or similarly qualified persons in order to avoid a hazard.

USING EXTENSION CABLES

Only use an approved extension cable suitable for the power input of the machine. The minimum conductor size is 1.5 mm². When using a cable reel always unwind the reel completely.

3. ASSEMBLY



Before assembly, always switch off the machine and remove the mains plug from the mains.

ASSEMBLING THE TUBES (FIG. B, D)

- Screw the upper tube (6) onto the motor housing.
- Screw the lower tube section (7) onto the upper tube (6).
- Mount the wheel holder (13) by sliding it onto the lower tube section (7) until the foreseen stop on the lower tube (7). Screw the mounting screw until the wheel holder (13) is tight secured.
- Screw the wheels (14) onto the wheel holder (13).

SHOULDER STRAP (FIG. A)

Attach the carrying belt (15) to the carrying belt hook (12) on the handle. To adjust the shoulder strap to the required length, simply slide the adjustable strap buckle forward or backwards.

ATTACH THE COLLECTION BAG (FIG. C)



Always use the collection bag (8) when using vacuum mode.

Attach the hook to the lower part of the housing. Slide the open end of the collection bag over the tube and connect it to the housing (9).



Always check the vacuum bag for signs of damage before each use. Small, sharp objects can be sucked up and if the bag is damaged or worn the objects might be thrown in your direction or the direction of others. This could lead to serious injury.

4. OPERATION

OPERATION (FIG. A)

Plug in the power tool at the mains (or extension lead) and when you are ready and well balanced, press the on/off switch (5) and it will start. Press again to turn it off.

Note: We recommend the use of a heavy-duty outdoor extension cable.

Alter the carrying belt length so that you can stand up straight and allow the power tool to rest on its wheels when in use. This will lighten the load across your shoulders and back. Use in a forward and backward direction, not side to side.

CHANGING OPERATION MODE (FIG. E)

When you want to change from one mode to another, simply pull the option lever (11) to suit your requirement. Turn it clockwise to blower mode and counter clockwise to vacuum mode (remember to fit the bag if you want vacuum mode).

5. MAINTENANCE



Before cleaning and maintenance, always switch off the power tool and remove the mains plug from the mains.

This power tool has been designed to operate over a long period of time with a minimum of maintenance. Continuous satisfactory operation depends upon proper machine care and regular cleaning.

CLEANING

Keep the ventilation slots of the power tool clean to prevent overheating of the engine. Regularly clean the tool housing with a soft cloth, preferably after each use. Keep the ventilation slots free from dust and dirt. If the dirt does not come off use a soft cloth moistened with soapy water. Never use solvents such as petrol, alcohol, ammonia water, etc. These solvents may damage the plastic parts.

All contents and specifications mentioned in this manual are subject to change without prior notice.

INSTRUCTIONS FOR PROTECTING THE ENVIRONMENT (WEEE, the waste electrical and electronic equipment directive, applicable in EU member states)



Your product has been manufactured using high quality materials and components which can be recycled and used again. At the end of its service life, this product cannot be disposed of in normal domestic waste, but must be taken to a special collection point for recycling electrical and electronic equipment. This is indicated in the user manual and in the packaging by the crossed-out wheeled dust bin symbol. Used raw materials are suitable for recycling.

You can ask your local competent council about the location of your nearest collection point.

By recycling used appliances or raw materials, you are playing an important role in protecting our environment.

Correct disposal ensures that waste electrical and electronic equipment (which may contain hazardous substances) is recycled and reused appropriately. It helps avoid potential damage to the environment and human health, wildlife and to preserve natural resources.

Batteries:

Do not dispose batteries in your household waste. Dispose of batteries by taking them to your local recycling station. Contact your local competent

government offices for details.



Following information is only valid for EU member states.

If the battery contains higher values of lead (Pb), mercury (Hg) and/or cadmium (Cd) than defined in the Battery Directive (2006/66/EC), the chemical symbols Pb, Hg and/or Cd are shown below the crossed-out wheeled dust bin symbol.

EU DECLARATION OF CONFORMITY

WOLFGANG

 T O O L S

We,
Mascot Online B.V.
Veluwezoom 32
1327 AH Almere
The Netherlands

Declare under our sole responsibility that the product:

- Product Brand: Wolfgang tools
- Product Model No: LB3000S
- Product Description: Leaf Blower
- Product Rating: 3300 W

Following the provisions of the Directives:

EC Directive RoHS: 2015/863 amending: 2011/65/EU
EC Directive EMC: 2014/30/EU
EC Low Voltage Directive: 2014/35/EU
EC Machinery Directive: 2006/42/EC

And of the following harmonised European standards, respectively:

EN 60335-1:2012/A2 :2019
EN 50636-2-100:2014
EN 62233:2008
AfPS GS 2019 :01 PAK
EN 55014-1:2017/A 11 :2020
EN 55014-2:2015
EN 61000-3-2:2019
EN 61000-3-3:2013/A1 :2019

Place: Almere
Date of issue: 01-04-2023

Signature:

Authorized Signature name: B van Dijk
Title: Managing Director

BLADBLAZER 3300 W



Lees de bijgevoegde veiligheidsvoorschriften, de extra veiligheidswaarschuwingen en -instructies. Het niet opvolgen van de veiligheidswaarschuwingen en -instructies kan leiden tot een elektrische schok, brand en/of ernstig letsel. Bewaar alle veiligheidswaarschuwingen en -instructies zodat u deze later kunt raadplegen.

BEOOGD GEBRUIK

De powertool is bedoeld voor het verwijderen van bladeren van de straat, de tuin en het gazon. De ventilator in de bladblazer veroorzaakt een luchtstroom, die kan worden gebruikt om bladeren weg te blazen of om bladeren op te zuigen in de opvangzak. Gebruik dit apparaat uitsluitend zoals voorgeschreven en voor de gespecificeerde doeleinden. Gebruik dit apparaat niet op mensen en dieren omdat dit kan leiden tot letsel. Dit apparaat is niet bedoeld voor professioneel gebruik.

1. TECHNISCHE GEGEVENS

Technische specificaties	
Model	LB3000S
Spanning	230-240 V/50 Hz
Beschermingsklasse	II
Invoerspanning	3300 W
Onbelaste snelheid	15000 rpm
Max. blaasnelheid	270 km/uur
Max. luchtvolume	13,2 m ³ /min
Versnipperverhouding	10:1
Capaciteit opvangzak	35 liter
Gewicht	2,6 kg
L _{PA} (niveau geluidsdruk)	92 dB(A), K=3 dB(A)
L _{WA} (niveau geluidskracht)	96 dB(A)
Trillingsniveau	2,53 m/s ² , K=1,5 m/s ²

BESCHRIJVING

De cijfers in de tekst verwijzen naar de afbeeldingen op de pagina's: 1 - 2.

1. Handgreep
2. Extra handgreep
3. Stroomsnoer
4. Kabelhaak
5. Aan-/uitschakelaar
6. Bovenste buis
7. Onderste buis
8. Opvangzak
9. Inlaatbuis opvangzak
10. Veiligheidsclip opvangzak
11. Functieschakelaar blazen/zuigen
12. Draagriemhaak
13. Wieljeshouder
14. Wieljies
15. Draagriem

2. VEILIGHEIDSinSTRUCTIES

De volgende symbolen worden gebruikt in de gebruikershandleiding of op het product:

	Waarschuwing: Lees alle veiligheidswaarschuwingen en -instructies.
	Geeft risico aan van persoonlijk letsel, levensgevaar of schade aan het apparaat wanneer de instructies in deze handleiding niet worden nageleefd.
	Risico op elektrische schok.
	Risico van opspattende objecten.
	Houd omstanders uit de buurt van het werkgebied.
	Gebruik het apparaat niet in de regen en laat het niet buiten liggen wanneer het regent.
	Draag oogbescherming.
	Draag gehoorbescherming.
	Waarschuwing: De ventilator kan nog draaien wanneer u de behuizing opent of sluit; wees vooral voorzichtig met de behuizing van de inlaat.

ALGEMENE VEILIGHEIDSWAARSCHUWINGEN VOOR POWERTOOLS - PERSOONLIJKE VEILIGHEID



WAARSCHUWING!

Lees alle veiligheidswaarschuwingen en instructies.

Wanneer u de waarschuwingen en instructies niet opvolgt, kan dit leiden tot een elektrische schok, brand en/of ernstig letsel.



Bewaar alle waarschuwingen en instructies om deze later na te kunnen lezen. De term 'powertool' in de waarschuwingen verwijst naar elektrisch gereedschap dat via het lichtnet (met een snoer) of op batterijen kan worden gebruikt.

1) VEILIGHEID WERKGEBIED

- a. **Zorg dat het werkgebied schoon en goed verlicht is.**
Op onoverzichtelijke of donkere locaties kunnen sneller ongelukken optreden.
- b. **Bedien powertools niet in een omgeving met explosiegevaar, zoals in de buurt van ontvlambare vloeistoffen, gassen of stof.**
Powertools genereren vonken waardoor het stof of de dampen in brand kunnen vliegen.
- c. **Zorg dat kinderen en omstanders niet te dicht in de buurt zijn wanneer u een powertool bedient.** Zorg dat u niet wordt afgeleid en controle over het apparaat verliest.

2) ELEKTRICITEIT EN VEILIGHEID

- a. **De stekker van de powertool moet geschikt zijn voor het stopcontact. De stekker mag op geen enkele wijze veranderd worden. Gebruik geen adapterstekkers bij geaarde powertools.** Ongewijzigde stekkers en passende stopcontacten verkleinen de kans op een elektrische schok.
- b. **Raak geen geaarde oppervlakken aan, zoals pijpen, radiatoren, fornuizen en koelkasten.** U loopt meer kans op een elektrische schok wanneer uw lichaam geaard is.
- c. **Stel powertools niet bloot aan regen of vocht.** Wanneer water in een powertool lekt, wordt het risico op een elektrische schok verhoogt.
- d. **Ga voorzichtig om met het snoer. Gebruik het snoer nooit om de powertool te dragen, te trekken of de stekker uit het stopcontact te trekken. Houd het snoer uit de buurt van hitte, olie, scherpe randen of bewegende onderdelen.** Snoeren met beschadigingen of knopen verhogen het risico op een elektrische schok.
- e. **Als u een powertool buitenshuis gebruikt, gebruik dan een verlengsnoer dat daar geschikt voor is.** Het gebruik van een verlengsnoer dat geschikt voor gebruik buitenshuis verkleint het risico op een elektrische schok.
- f. **Als de powertool moet worden gebruikt op een vochtige locatie, zorg er dan voor dat de voeding is voorzien van een aardlekschakelaar.** Het gebruik van een aardlekschakelaar beperkt het risico op een elektrische schok.

3) PERSOONLIJKE VEILIGHEID

- a. **Let op wat u doet en gebruik uw gezond verstand bij het bedienen van een powertool. Gebruik een powertool nooit als u vermoeid bent of onder invloed van drugs, alcohol of medicijnen.** Eén moment van onoplettendheid tijdens het gebruik van een powertool kan leiden tot ernstig persoonlijk letsel.
- b. **Gebruik een persoonlijke veiligheidsuitrusting. Draag altijd oogbescherming.** Het gebruik van een gepaste veiligheidsuitrusting, zoals een stofmasker, veiligheidsschoenen met anti-slijzolen, helm of gehoorbescherming zal de kans op persoonlijk letsel verminderen.
- c. **Zorg dat het apparaat niet per ongeluk kan worden gestart. Zorg dat de schakelaar in de uit-stand staat voordat u het apparaat aansluit op de voedingsbron en/of batterij, optilt of vervoert.** Wanneer u een powertool draagt met uw vinger op de schakelaar, of een powertool aansluit met de schakelaar in de aan-stand, kunnen er gemakkelijk ongelukken optreden.
- d. **Verwijder eventuele stelschroeven of moersleutels voordat u de powertool inschakelt.** Wanneer een moersleutel of schroef nog aan een bewegend onderdeel van de powertool is bevestigd terwijl deze wordt ingeschakeld, kan dit leiden tot persoonlijk letsel.
- e. **Zorg dat u niet te ver reikt. Zorg dat u altijd stevig staat en balans houdt.** Hierdoor kunt u beter controle houden over de powertool in onverwachte situaties.
- f. **Draag geschikte kleding. Draag geen losse kleding of sieraden. Houd uw haar, kleding en handschoenen uit de buurt van bewegende onderdelen.** Losse kleding, sieraden of lang haar kan in de bewegende onderdelen verstrikt raken.
- g. **Wanneer er voorzieningen beschikbaar zijn voor het aansluiten van stofafzuiging en stofopvang, zorg er dan voor dat deze correct worden aangesloten en gebruikt.** Het gebruik van apparaten voor stofafzuiging kan stofgerelateerde gevaren beperken.

4) GEBRUIK EN ONDERHOUD VAN POWERTOOLS

- a. **Pas nooit overmatige kracht toe op de powertool. Gebruik de juiste powertool voor uw toepassing.** De juiste powertool doet zijn taak beter en veiliger op de snelheid waarvoor dit gereedschap is ontworpen.
- b. **Gebruik de powertool niet als deze niet met de schakelaar in- en uitgeschakeld kan worden.** Een powertool die niet met de schakelaar kan worden bediend, is gevaarlijk en moet worden gerepareerd.

- c. **Haal de stekker uit het stopcontact voordat u enige aanpassingen maakt, accessoires wijzigt of de powertool opbergt.** Dergelijke preventieve veiligheidsmaatregelen verkleinen de kans dat de powertool per ongeluk wordt gestart.
- d. **Berg niet-gebruikte powertools op buiten het bereik van kinderen en laat de powertool niet bedienen door personen die niet bekend zijn met de powertool of deze instructies.** Powertools zijn gevaarlijk wanneer ze worden bediend door onervaren gebruikers.
- e. **Zorg ervoor dat de powertool goed wordt onderhouden. Controleer of bewegende onderdelen correct zijn uitgelijnd en niet vastlopen, of onderdelen niet kapot zijn of de juiste werking van de powertool kunnen beïnvloeden. Laat de powertool bij beschadiging repareren vóór gebruik.** Veel ongelukken worden veroorzaakt door slecht onderhouden powertools.
- f. **Gebruik de powertool en de bijbehorende accessoires in overeenstemming met deze instructies en houd daarbij rekening met de werkomstandigheden en de uit te voeren werkzaamheden.** Gebruik van de powertool voor andere werkzaamheden dan die waar de powertool voor is bedoeld, kan leiden tot gevaarlijke situaties.

5) ONDERHOUD

- a. **Laat de powertool onderhouden door een gekwalificeerde persoon die daarvoor uitsluitend identieke reserveonderdelen gebruikt.** Dit zorgt ervoor dat de veiligheid van de powertool wordt gehandhaafd.

EXTRA VEILIGHEIDSWAARSCHUWINGEN VOOR DE POWERTOOL

- Gooi plastic zakken veilig weg - ze vormen een verstikkingsgevaar voor jonge kinderen.
- Houd het gebied waarin u werkt schoon en opgeruimd. Gebruik de powertool niet in de regen of in een vochtige omgeving.
- Wij raden het gebruik aan van een aardlekschakelaar van maximaal 30 mA op het stopcontact wanneer u dit apparaat gebruikt.
- Gebruik de powertool niet op plaatsen waar de kans op brand of een explosie bestaat, zoals in de buurt van brandbare vloeistoffen of gassen.
- Houd mensen, vooral kinderen, of huisdieren uit de buurt wanneer u aan het werk bent.
- Laat kinderen of andere mensen de powertool niet aanraken.
- Berg het apparaat op een droge plek op, buiten het bereik van kinderen.
- Draag altijd een veiligheidsbril. Wij raden u ook aan gehoorbescherming te gebruiken.
- Draag de juiste kleding (lange broek) - geen loszittende kleding of sieraden en zorg ervoor dat kledingstukken niet in contact kunnen komen met bewegende delen.
- Draag anti-slip schoenen. Draag geen sandalen of open schoenen.
- Als u lang haar heeft, draag het dan veilig in een staart, zodat het niet verstrikt kan raken in bewegende delen.
- Voordat u een powertool gebruikt, controleer het apparaat dan eerst op beschadigde onderdelen. Als het apparaat beschadigd is, zorg er dan voor dat de beschadigde onderdelen worden vervangen voordat u het apparaat weer gebruikt.
- Gebruik de powertool niet wanneer u moe bent of alcohol hebt gedronken.
- Reik niet te ver tijdens het werk - u kunt daardoor uw evenwicht verliezen.
- Schakel de powertool na gebruik uit met de aan-/uitschakelaar.
- Gebruik dit apparaat uitsluitend voor de beoogde doeleinden - het wegblazen of opzuigen van bladeren.
- Richt de powertool niet op mensen of dieren.
- Blaas geen vuil in de richting van mensen of dieren, omdat dit kan leiden tot letsel.
- Gebruik de powertool alleen bij daglicht of bij goed kunstlicht.
- Plaats uw hand pas in de buis of opvangzak van de bladblazer als de powertool is uitgeschakeld en de stekker uit het stopcontact is gehaald.

- Gebruik alleen verlengsnoeren die geschikt zijn voor gebruik buitenshuis. Het stroomsnoer mag niet in contact komen met extreme hitte, olie, oplosmiddelen en scherpe randen.
- Gebruik de powertool niet voor het verwijderen van vloeistoffen van welke aard dan ook.
- Zuig geen hete of brandende materialen op, zoals gloeiende as, lucifers, onlangs gedoofd sigarettenpeuken.
- Gebruik de powertool nooit zonder de stevig gemonteerde opvangzak.
- Controleer regelmatig of alle schroeven en bouten stevig zijn aangedraaid.
- De gebruiker is verantwoordelijk voor ongelukken of gevaren voor andere personen of hun eigendommen.
- Om irritatie door stof te voorkomen adviseren wij u een stofmasker te dragen.
- Leid het stroomsnoer altijd naar achteren en weg van de powertool.
- Draag de powertool nooit aan het stroomsnoer.

HAAL DE STEKKER VAN DE POWERTOOL UIT HET STOPCONTACT:

- Voordat u een blokkering verwijdert.
- Voordat u de powertool controleert, reinigt of onderhoudt.
- Wanneer de powertool abnormaal begint te trillen.
- Wanneer u de powertool onbeheerd laat liggen.



- Zorg dat u altijd stevig staat op hellingen.
- Ren nooit terwijl u het apparaat bedient.
- Zorg ervoor dat de koelluchtinlaten vrij zijn van vuil of obstakels.
- Zorg ervoor dat alle moeren, bouten en schroeven stevig zijn aangedraaid, zodat de powertool veilig kan worden gebruikt.
- Controleer de opvangzak regelmatig op slijtage of beschadiging.
- Vervang versleten of beschadigde onderdelen.
- Gebruik alleen goedgekeurde onderdelen en accessoires.

HAAL DE STEKKER ONMIDDELIJK UIT HET STOPCONTACT:

- Wanneer u de powertool niet gebruikt.
- Wanneer u de powertool controleert, reinigt of blokkeringen verwijdert.
- Wanneer het stroomsnoer beschadigd is.
- In geval van abnormale vonkvorming.
- Wanneer de stekker of het stroomsnoer beschadigd is.
- Wanneer de schakelaar defect is.
- Wanneer u rook bemerkt of de stank ruikt van verschroeid isolatiemateriaal.

ELEKTRISCHE VEILIGHEID

Wanneer u de powertool gebruikt, moet u zich altijd houden aan de veiligheidsvoorschriften die in uw land van toepassing zijn met betrekking tot het risico van brand, een elektrische schok en lichamelijk letsel. Lees de volgende veiligheidsinstructies.

	Controleer altijd of de netspanning overeenkomt met de spanning die wordt vermeld op het typeplaatje.
	Apparaat van Klasse II - Dubbele isolatie

Als de powertool moet worden gebruikt op een vochtige locatie, zorg er dan voor dat de voeding is voorzien van een aardlekschakelaar. Het gebruik van een aardlekschakelaar beperkt het risico op een elektrische schok.

VERVANGEN VAN HET STROOMSNOER

Als het stroomsnoer beschadigd is, moet het door de fabrikant, diens onderhoudsagent of een andere bevoegde persoon worden vervangen om gevaarlijke situaties te voorkomen.

GEBRUIK VAN VERLENGSNOEREN

Gebruik uitsluitend een goedgekeurd verlengsnoer dat geschikt is voor de voeding van het apparaat. Het minimumformaat voor de geleider is 1,5 mm². Wanneer u een kabelhaspel gebruikt, moet u de haspel volledig uitrollen.

3. MONTAGE



Vóórdat u het apparaat monteert, moet u het altijd uitschakelen en de stekker uit het stopcontact halen.

MONTEREN VAN DE BUIZEN (FIG. B, D)

- Schroef de bovenste buis (6) op het motorhuis.
- Schroef de onderste buis (7) op de bovenste buis (6).
- Monteer de wielhouder (13) door deze op de onderste buis (7) te schuiven tot de daarvoor bestemde stop op de onderste buis (7). Draai de montageschroef aan tot de wielhouder (13) stevig vastzit.
- Schroef de wieltjes (14) op de wielhouder (13).

SCHOUDERRIEM (FIG. A)

Bevestig de draagriem (15) aan de draagriemhaak (12) op de handgreep. Om de schouderband op de gewenste lengte in te stellen, schuift u de verstelbare riemgesp naar voren of achteren.

SLUIT DE OPVANGZAK AAN (FIG. C)



Gebruik altijd de opvangzak (8) wanneer u het apparaat in de zuigstand zet.

Bevestig de haak aan het onderste deel van de behuizing. Schuif het open einde van de opvangzak over de buis en sluit dit aan op de behuizing (9).



Controleer de opvangzak vóór elk gebruik altijd op tekenen van beschadiging. Kleine, scherpe voorwerpen kunnen worden opgezogen en als de opvangzak beschadigd of versleten is, kunnen deze voorwerpen in uw richting of in de richting van anderen worden geschoten. Dit kan leiden tot ernstig letsel.

4. GEBRUIK

GEBRUIK (FIG. A)

Steek de stekker van de powertool in het stopcontact (of de verbinding van het verlengsnoer) en druk op de aan-/uitschakelaar (5) als u klaar bent om te beginnen. Druk nogmaals op de schakelaar om het apparaat uit te schakelen.

Opmerking: Wij raden het gebruik aan van een zwaar verlengsnoer voor buitenshuis.

Pas de lengte van de draagriem zodanig aan dat u rechtop kunt staan en laat de powertool op de wieltjes rusten tijdens het gebruik. Zo zal de belasting op uw schouders en rug worden verlicht. Beweeg het apparaat voorwaarts en achterwaarts, niet van zij naar zij.

DE GEBRUIKSFUNCTIE WIJZIGEN (FIG. E)

Als u van de ene functie naar de andere wilt overstappen, trekt u gewoon aan de functiehendel (11) om over te gaan naar blazen of zuigen. Draai de hendel rechtsom om naar de blaasfunctie te gaan en linksom om naar de zuigfunctie te gaan (denk eraan dat u de opvangzak moet bevestigen voordat u naar de zuigfunctie gaat).

5. ONDERHOUD



Voordat u het apparaat reinigt en onderhoudt, moet u de powertool altijd uitschakelen en de stekker uit het stopcontact halen.

De powertool is ontworpen voor langdurig gebruik met een minimum aan onderhoud. Een voortdurende goede werking hangt af van de juiste verzorging en de regelmatige reiniging van het apparaat.

REINIGING

Houd de ventilatiesleuven van de powertool schoon om oververhitting van de motor te voorkomen. Reinig de behuizing van het apparaat regelmatig (bij voorkeur na elk gebruik) met een zachte doek. Houd de ventilatiesleuven vrij van stof en vuil. Als het vuil niet kan worden verwijderd, gebruik dan een zachte doek bevochtigd met een zeepsopje. Gebruik nooit oplosmiddelen zoals benzine, alcohol, ammonia, etc. Deze oplosmiddelen kunnen de kunststof onderdelen beschadigen.

Alle in deze handleiding vermelde informatie en specificaties kunnen zonder voorafgaande kennisgeving worden gewijzigd.

MILIEUVOORSCHRIFTEN

(AEEA, de richtlijn voor afgedankte elektrische en elektronische apparatuur die in EU-lidstaten van kracht is)



Dit product is vervaardigd van kwalitatief hoogwaardige materialen en onderdelen die gerecycled en opnieuw gebruikt kunnen worden. Aan het einde van de levensduur mag dit product niet afgevoerd worden met het normale huisafval. In plaats daarvan moet het worden ingeleverd bij een inzamelpunt voor afgedankte elektrische en elektronische apparatuur. Dit wordt in de handleiding en op de verpakking weergegeven door de afvalcontainer met een kruis erdoor. De gebruikte grondstoffen kunnen worden gerecycled.

Informeer bij uw gemeente waar het dichtstbijzijnde inzamelpunt is.

Door gebruikte apparatuur of grondstoffen te recyclen, levert u een belangrijke bijdrage aan het beschermen van het milieu.

Correcte verwijdering zorgt ervoor dat afgedankte elektrische en elektronische apparatuur (die gevaarlijke stoffen kan bevatten) op de juiste manier wordt gerecycled en hergebruikt. Dit helpt mogelijke schade aan het milieu en de gezondheid van de mens en wilde dieren te voorkomen, en de natuurlijke hulpbronnen in stand te houden.

Batterijen:

Gooi batterijen nooit weg bij het huishoudelijk afval. Breng lege batterijen naar het lokale inzamelpunt voor recycling. Neem contact op met uw gemeente voor nadere informatie.



De volgende informatie geldt alleen voor EU-lidstaten.

Als de batterij de in de richtlijn inzake batterijen en accu's (2006/66/EG) vermelde waarden van lood (Pb), kwik (Hg) en/of cadmium (Cd) overschrijdt, worden de chemische symbolen voor Pb, Hg en/of Cd weergegeven onder de afvalcontainer met een kruis erdoor.

EU-CONFORMITEITSVERKLARING

WOLFGANG

TOOLS

Wij,
Mascot Online BV.
Veluwezoom 32
1327 AH Almere
Nederland

Verklaren op basis van onze eigen verantwoordelijkheid dat het product:

- Merk van het product:	Wolfgang Tools
- Modelnummer van het product:	LB3000S
- Beschrijving van het product:	Bladblazer
- Productclassificatie:	300 W

Voldoet aan de bepalingen van de richtlijnen:

EG-RoHS-richtlijn: 2015/ 863 met amendement: 2011/65/EU
EG-EMC-richtlijn: 2014/30/EU
EG-laagspanningsrichtlijn: 2014/35/EU
EG-machinerichtlijn: 2006/42/EC

En tevens aan de volgende geharmoniseerde Europese normen:

EN 60335-1:2012/A2 :2019
EN 50636-2-100:2014
EN 62233:2008
AfPS GS 2019 :01 PAK
EN 55014-1:2017/A 11 :2020
EN 55014-2:2015
EN 61000-3-2:2019
EN 61000-3-3:2013/A1 :2019

Plaats: Almere
Datum publicatie: 01-04-2023

Handtekening:

Naam bevoegde ondertekenaar: B. van Dijk

Functie: Algemeen directeur

SOUFFLEUR DE FEUILLES 3300 W



Lire les avertissements de sécurité ci-joints, les avertissements de sécurité additionnels et les instructions. Le non-respect des avertissements de sécurité et des instructions peut causer un choc électrique, un incendie et/ou une grave blessure. Conserver les avertissements de sécurité et les instructions pour référence future.

USAGE PRÉVU

Cet outil électrique est prévu pour enlever les feuilles de la rue, du jardin et de la pelouse. Le ventilateur qui se trouve à l'intérieur du souffleur de feuilles cause un flux d'air, qui peut être utilisé soit pour souffler les feuilles soit pour les aspirer dans le sac à feuilles. Utiliser cet appareil uniquement tel que décrit et pour les domaines d'application spécifiés. Ne pas utiliser cet appareil sur des personnes ou des animaux, cela pourrait causer une blessure. Cet appareil n'est pas destiné à un usage professionnel.

1. DONNÉES TECHNIQUES

Spécifications techniques	
Modèle	LB3000S
Tension	230-240V 50 Hz
Classe de protection	II
Puissance d'entrée	3300 W
Vitesse à vide	15000 rpm
Vitesse de l'air max.	270 km/h
Volume d'air max.	13,2 m ³ /min
Broyage	10:1
Capacité sac à feuilles	35 L
Poids	2,6 kg
L _{pa} (niveau de pression acoustique)	92 dB(A), K=3 dB(A)
L _{wa} (niveau de puissance acoustique)	96 dB(A)
Niveau de vibrations	2,53 m/s ² , K=1,5 m/s ²

DESCRIPTION

Les numéros dans le texte renvoient aux images sur les pages : 1 - 2.

- Poignée principale
- Poignée auxiliaire
- Cordon d'alimentation
- Crochet pour câble
- Interrupteur
- Tube supérieur
- Tube inférieur
- Sac à feuilles
- Tube d'entrée sac à feuilles
- Clip de fixation sac à feuilles
- Levier de sélection souffler/aspirer
- Crochet pour bandoulière
- Support pour roues
- Roues
- Bandoulière

2. INSTRUCTIONS DE SÉCURITÉ

Les symboles suivants sont utilisés dans le manuel d'utilisation ou sur le produit :

	Avertissement : Lire tous les avertissements de sécurité et instructions.
	Signifie un risque de blessure corporelle, décès ou endommagement de l'outil en cas de non-respect des instructions figurant dans ce manuel.
	Risque de choc électrique.
	Risque de projections.
	Garder les spectateurs à l'écart de la zone de travail.
	Ne pas utiliser sous la pluie ni laisser dehors quand il pleut.
	Porter des lunettes de protection.
	Porter une protection auditive.
	Avertissement : Le ventilateur tourne encore lorsque le couvercle est ouvert ou fermé, faire attention, surtout le couvercle d'entrée d'air.

AVERTISSEMENTS DE SÉCURITÉ GÉNÉRAUX RELATIFS AUX OUTILS ÉLECTRIQUES - SÉCURITÉ PERSONNELLE



AVERTISSEMENT !

Lire tous les avertissements de sécurité et toutes les instructions. Le non-respect des avertissements et instructions peut entraîner un choc électrique, un incendie et/ou de graves blessures.



Conserver tous les avertissements et toutes les instructions pour pouvoir vous y reporter ultérieurement. Le terme « outil électrique » dans les avertissements se rapporte à votre outil électrique raccordé au secteur (avec câble de raccordement) ou à des outils électriques à batterie (sans fil).

1) SÉCURITÉ DE LA ZONE DE TRAVAIL

- Maintenir la zone de travail propre et bien éclairée.** Des zones en désordre ou mal éclairées augmentent le risque d'accidents.
- Ne pas utiliser des outils électriques dans un environnement présentant des risques d'explosion, ou en présence de liquides, gaz ou poussières inflammables.** Les outils électriques génèrent des étincelles risquant d'enflammer la poussière ou les vapeurs.
- Tenir les enfants et autres personnes à distance durant l'utilisation d'un outil électrique.** Des distractions peuvent vous faire perdre le contrôle de l'outil.

2) SÉCURITÉ ÉLECTRIQUE

- a. **La fiche d'un outil électrique doit être appropriée à la prise de courant. Ne modifier en aucun cas la fiche. Ne pas utiliser d'adaptateur de fiches avec des outils électriques avec mise à la terre.** Les fiches non modifiées et les prises de courant appropriées réduisent le risque d'un choc électrique.
- b. **Éviter le contact physique avec des surfaces mises à la terre telles que tuyaux, radiateurs, cuisinières et réfrigérateurs.** Il y a un risque élevé de choc électrique au cas où votre corps serait relié à la terre
- c. **Ne pas exposer les outils électriques à la pluie ou l'humidité.** La pénétration d'eau dans un outil électrique augmente le risque d'un choc électrique.
- d. **Ne pas maltraiter le cordon. Ne jamais utiliser le cordon pour porter, tirer ou débrancher l'outil électrique. Maintenir le cordon à distance de chaleur, huile, bords tranchants ou pièces mobiles.** Un cordon endommagé ou enchevêtré augmente le risque d'un choc électrique.
- e. **Si l'outil électrique est utilisé à l'extérieur, utiliser une rallonge appropriée aux utilisations extérieures.** L'utilisation d'une rallonge électrique adaptée à une utilisation extérieure réduit le risque de choc électrique.
- f. **Si l'utilisation d'un outil électrique dans un lieu humide est inévitable, utiliser une alimentation protégée par un dispositif différentiel à courant résiduel (DDR).** L'utilisation d'un DDR réduit le risque de choc électrique.

3) SÉCURITÉ PERSONNELLE

- a. **Restez vigilant, faites attention à ce que vous faites et faites preuve de bon sens lorsque vous utilisez l'outil électrique. Ne pas utiliser un outil électrique lorsque vous êtes fatigué ou sous l'influence de drogues, d'alcool ou de médicaments.** Un moment d'inattention lors de l'utilisation d'un outil électrique peut entraîner de graves blessures personnelles.
- b. **Porter un équipement de protection individuelle. Toujours porter des lunettes de protection.** Le port d'un équipement de protection tel que masque anti-poussières, chaussures de sécurité antidérapantes, casque de protection ou protection auditive, en fonction du travail à effectuer, réduit le risque de blessures.
- c. **Éviter une mise en marche involontaire. Vérifier que l'interrupteur soit en position d'arrêt avant de brancher l'outil dans la source électrique et/ou le bloc batterie, avant de ramasser ou transporter l'outil.** Le transport d'outils électriques avec le doigt sur l'interrupteur ou la mise sous tension d'outils électriques dont l'interrupteur est en position Marche entraîne des risques d'accident.
- d. **Retirer tout outil de réglage ou clé avant de mettre l'appareil électrique en marche.** Une clé ou un outil de réglage se trouvant sur une partie en rotation de l'outil électrique peut causer des blessures.
- e. **Ne pas trop se pencher en avant. Toujours garder une position stable et équilibrée.** Cela permet un meilleur contrôle de l'outil électrique dans des situations inattendues.
- f. **Porter des vêtements appropriés. Ne pas porter de vêtements amples ni de bijoux. Maintenir cheveux, vêtements et gants éloignés des parties en mouvement.** Des vêtements amples, bijoux ou cheveux longs peuvent être happés par des pièces en mouvement.
- g. **Si des dispositifs servant à aspirer ou recueillir la poussière sont fournis, vérifier que ceux-ci sont correctement raccordés et utilisés.** L'utilisation d'un dispositif pour recueillir la poussière peut réduire les risques dus aux poussières.

4) UTILISATION ET ENTRETIEN D'OUTILS ÉLECTRIQUES

- a. **N'exercer aucune force sur l'outil électrique. Utiliser l'outil électrique approprié au travail à effectuer.** L'outil électrique adapté exécutera le travail d'une manière plus correcte et plus sûre à la vitesse pour laquelle il est conçu.
- b. **Ne pas utiliser l'outil électrique si le bouton marche/arrêt ne fonctionne pas.** Un outil électrique dont l'interrupteur ne fonctionne pas est dangereux et doit être réparé.

- c. **Débrancher la fiche de la source d'alimentation avant tout réglage ou changement d'accessoires ou avant de ranger l'outil.** Ces mesures préventives réduisent le risque d'un démarrage accidentel de l'outil électrique.
- d. **Ranger les outils électriques non utilisés hors de portée des enfants et ne pas permettre l'utilisation de l'outil électrique à des personnes qui ne se sont pas familiarisées avec celui-ci.** Les outils électriques sont dangereux dans les mains d'utilisateurs non formés.
- e. **Entretien l'outil électrique. Vérifier que les pièces mobiles ne soient pas désalignées ou coincées, cassées ou en tout autre état qui pourrait gêner le fonctionnement de l'outil électrique. Faire réparer l'outil électrique endommagé avant l'utilisation.** De nombreux accidents sont causés par des outils électriques mal entretenus.
- f. **Utiliser l'outil électrique et les accessoires conformément à ces instructions, en prenant en compte les conditions de travail et le travail à réaliser.** L'utilisation de l'outil électrique pour des opérations différentes de celles pour lesquelles il est prévu peut entraîner une situation dangereuse.

5) SERVICE

- a. **Faire entretenir votre outil électrique par une personne qualifiée qui n'utilise que des pièces de rechange identiques.** Ceci garantit le maintien de la sécurité de l'outil électrique.

AVERTISSEMENTS DE SÉCURITÉ SUPPLÉMENTAIRES POUR L'OUTIL ÉLECTRIQUE

- Jeter les sacs en plastique sûrement - ils forment un danger de suffocation pour les jeunes enfants.
- Garder votre zone de travail propre et rangée. Ne pas utiliser l'outil électrique sous la pluie ou dans des lieux humides.
- Nous recommandons vivement d'utiliser un DDR (dispositif différentiel à courant résiduel) de 30 mA au maximum, sur la prise de courant lorsque vous utilisez cet appareil.
- Ne pas utiliser l'outil électrique à un endroit où il y a un risque d'incendie ou d'explosion - c'est à dire près de liquides ou gaz inflammables.
- Ne pas admettre d'autres personnes, surtout des enfants ou d'animaux domestiques dans votre zone de travail.
- Ne pas permettre aux enfants ou autres personnes de toucher à l'outil électrique.
- Ranger dans un endroit sec, hors de portée des enfants.
- Toujours porter des lunettes de sécurité. Nous recommandons également de porter des protège-oreilles.
- Porter des vêtements appropriés (pantalons longs) - pas de vêtements amples ni de bijoux, et s'assurer que les vêtements ne puissent pas entrer en contact avec les parties en mouvement.
- Porter des chaussures antidérapantes. Ne pas porter de sandales ni de chaussures à bout ouvert.
- Si vous avez les cheveux longs, les attacher en arrière pour éviter qu'ils ne soient happés par les parties en mouvement.
- Avant d'utiliser un outil électrique, contrôler s'il n'y a pas de pièces endommagées, et le cas échéant, ne pas l'utiliser avant de les avoir remplacées par de nouvelles pièces.
- Ne pas utiliser l'outil électrique si vous êtes fatigué ou si vous avez bu de l'alcool.
- Ne pas trop vous pencher en travaillant - vous risquez de perdre l'équilibre.
- Toujours éteindre l'outil électrique avec l'interrupteur après l'utilisation.
- Utiliser uniquement cet appareil aux fins prévues - souffler ou aspirer des feuilles.
- Ne pas pointer l'outil électrique vers des personnes ou des animaux.
- Ne pas souffler de débris vers des personnes ou des animaux, cela pourrait causer une blessure.
- Utiliser l'outil électrique uniquement à la lumière du jour ou sous une bonne lumière artificielle.
- Ne pas placer la main dans le tube ou le sac du souffleur avant que l'outil électrique ne soit éteint et la fiche retirée de la prise de courant.

- Utiliser uniquement des rallonges adaptées à une utilisation en extérieur. Le cordon doit être tenu à l'écart de chaleur excessive, huile, solvants et arêtes vives.
- Ne pas utiliser l'outil électrique pour enlever des liquides.
- Ne pas aspirer de matières chaudes ou brûlantes, telles que des braises, allumettes, mégots de cigarettes qui viennent d'être éteintes.
- Ne jamais faire fonctionner l'outil électrique sans le sac à feuilles correctement fixé.
- Contrôler périodiquement si tous les boulons et autres vis sont bien serrés.
- L'opérateur ou l'utilisateur est responsable en cas d'accidents ou de dangers pouvant survenir à d'autres personnes ou leurs biens.
- Pour éviter les irritations dues à la poussière, nous recommandons de porter un masque facial.
- Toujours diriger le cordon d'alimentation vers l'arrière, loin de l'outil électrique.
- Ne pas porter l'outil électrique en le tenant par le cordon d'alimentation.

DÉBRANCHER L'OUTIL ÉLECTRIQUE DE LA PRISE DE COURANT :



- Avant de dégager un blocage.
- Avant de contrôler, nettoyer ou entretenir l'outil électrique.
- Si l'outil électrique se met à vibrer de façon anormale.
- Lorsque vous abandonnez l'outil électrique.
- Toujours faire attention à vos pieds sur un terrain en pente.
- Marcher, ne jamais courir.
- Garder toute entrée d'air de refroidissement exempte de débris ou d'obstructions.
- Garder bien serrés tous les écrous, boulons et vis, pour être sûr que l'outil électrique soit en parfait état de fonctionnement.
- Contrôler fréquemment le sac à feuilles pour voir s'il n'est pas usé ou détérioré.
- Remplacer les pièces usées ou endommagées.
- Utiliser uniquement des pièces de rechange et des accessoires d'origine.

IMMÉDIATEMENT ENLEVER LA FICHE DE LA PRISE DE COURANT :

- Lorsque vous n'utilisez pas l'outil électrique.
- Lorsque vous contrôlez l'outil électrique, le nettoyez ou supprimez un blocage.
- Lorsque l'outil électrique est endommagé.
- En cas d'étincelles anormales.
- Interruption de la prise électrique, ou cordon d'alimentation endommagé.
- Interrupteur défectueux.
- Fumée ou puanteur d'isolation brûlée.

SÉCURITÉ ÉLECTRIQUE

Lors de l'utilisation de l'outil électrique, toujours observer les consignes de sécurité en vigueur dans votre pays afin de réduire les risques d'incendie, choc électrique et blessures. Lire les instructions de sécurité suivantes.

	Toujours contrôler si la tension de l'alimentation correspond à la tension indiquée sur la plaque signalétique.
	Machine Classe II - Double isolation

Si l'utilisation d'un outil électrique dans un lieu humide est inévitable, utiliser une alimentation protégée par un dispositif différentiel à courant résiduel (DDR). L'utilisation d'un DDR réduit le risque de choc électrique.

REPLACER LE CORDON D'ALIMENTATION

Si le cordon d'alimentation est endommagé, il doit être remplacé par le fabricant, son service après-vente ou une personne qualifiée pour éviter tout risque.

UTILISATION DE RALLONGES

Utiliser uniquement une rallonge approuvée adaptée à la puissance d'entrée de la machine. La section minimale du conducteur est de 1,5 mm². Lorsqu'un enrouleur de câble est utilisé, celui-ci doit être entièrement déroulé.

3. ASSEMBLAGE



Avant l'assemblage, toujours éteindre la machine et enlever la fiche de la prise de courant.

ASSEMBLAGE DES TUBES (FIG. B, D)

- Visser le tube supérieur (6) au boîtier du moteur.
- Visser le tube inférieur (7) au tube supérieur (6).
- Monter le support pour les roues (13) en le glissant sur le tube inférieur (7) jusqu'à l'arrêt prévu sur le tube inférieur (7). Serrer la vis de montage pour que le support pour les roues (13) soit bien fixé.
- Visser les roues (14) sur le support pour les roues (13).

BANDOULIÈRE (FIG. A)

Accrocher la bandoulière (15) au crochet pour bandoulière (12) sur la poignée. Pour régler la longueur de la bandoulière, simplement faire coulisser la boucle ajustable en avant ou en arrière.

ATTACHER LE SAC À FEUILLES (FIG. C)



Toujours utiliser le sac à feuilles (8) lorsque l'outil est en mode d'aspiration.

Fixer le crochet à la partie inférieure du boîtier. Glisser l'extrémité ouverte du sac à feuilles sur le tube et le relier au boîtier (9).



Contrôler avant chaque utilisation si le sac à feuilles n'est pas endommagé. De petits objets pointus peuvent être aspirés et si le sac est endommagé ou usé, les objets pourraient être projetés en votre direction ou en direction d'autres personnes. Ceci pourrait causer une grave blessure.

4. FONCTIONNEMENT

FONCTIONNEMENT (FIG. A)

Brancher l'outil électrique sur la prise de courant (ou la rallonge) et lorsque vous êtes prêt et en position bien stable, appuyer sur l'interrupteur (5) pour mettre l'outil en marche. Appuyer de nouveau pour l'éteindre.

Remarque : Nous recommandons de prendre une rallonge robuste qui convient pour utilisation en extérieur.

Modifier la longueur de la bandoulière de façon à pouvoir rester bien debout et permettre à l'outil électrique de reposer sur ses roues pendant l'utilisation. Ceci allégera la charge sur vos épaules et votre dos. Utiliser en bougeant d'avant en arrière, pas d'un côté à l'autre.

CHANGER LE MODE DE FONCTIONNEMENT (FIG. E)

Pour passer d'un mode à l'autre, simplement tourner le levier de sélection (11) vers le mode souhaité. Tourner dans le sens horaire pour choisir le mode souffleur et dans le sens antihoraire pour choisir le mode aspirateur (ne pas oublier de placer un sac à feuilles si vous souhaitez aspirer).

5. MAINTENANCE



Avant le nettoyage et la maintenance, toujours éteindre l'outil électrique et enlever la fiche de la prise de courant.

Cet outil électrique a été conçu pour fonctionner pendant une longue période avec un minimum de maintenance. Pour un fonctionnement satisfaisant longue durée, prendre bien soin de la machine et la nettoyer régulièrement.

NETTOYAGE

Tenir les fentes de ventilation de l'outil électrique propres pour éviter la surchauffe du moteur. Nettoyer régulièrement le boîtier de l'outil avec un chiffon doux, de préférence après chaque utilisation. Tenir les fentes de ventilation exemptes de poussière et de saleté. Si la saleté ne se laisse pas enlever, utiliser un chiffon doux imbibé d'eau savonneuse. Ne jamais utiliser de solvants tels que l'essence, alcool, ammoniacque, etc. Ces solvants peuvent endommager les pièces en plastique.

L'ensemble des contenus et spécifications mentionnés dans ce mode d'emploi sont susceptibles de modifications sans avis préalable.

CONSIGNES POUR LA PROTECTION DE L'ENVIRONNEMENT (DEEE, la directive relative aux déchets d'équipements électriques et électroniques, applicable dans les pays membres de l'UE)



Votre produit a été fabriqué à l'aide de matériaux de haute qualité et de composants qui peuvent être recyclés et réutilisés. À la fin de sa durée de vie, ce produit ne doit pas être jeté dans les ordures ménagères, mais il doit être remis à un point de collecte spécial pour le recyclage des équipements électriques et électroniques. Ceci est indiqué dans le mode d'emploi et sur l'emballage par un conteneur de déchets barré d'une croix. Les matières premières utilisées peuvent être recyclées.

Renseignez-vous auprès de votre municipalité au sujet de l'emplacement de votre point de collecte le plus proche.

En recyclant les appareils usagés ou les matières premières, vous jouez un rôle important dans la protection de l'environnement.

Le tri garantit que les déchets d'équipements électriques et électroniques (qui peuvent contenir des substances dangereuses) sont recyclés et réutilisés de manière appropriée. Le recyclage permet d'éviter les dommages potentiels à l'environnement et à la santé humaine, à la faune et à la flore sauvages et aux ressources naturelles.

Batterie :

Ne jetez pas les batteries dans les ordures ménagères. Pour jeter les batteries, remettez-les à la station de recyclage locale. Contactez les autorités locales compétentes pour plus de détails.



Les informations suivantes ne s'appliquent qu'aux pays membres de l'UE.

Pb, Hg, Cd Si la batterie contient un taux de plomb (Pb), de mercure (Hg) et/ou de cadmium (Cd) supérieur aux valeurs définies dans la directive sur les batteries (2006/66/CE), les symboles chimiques du Pb, du Hg et/ou du Cd apparaissent sous le symbole du conteneur barré.

DÉCLARATION DE CONFORMITÉ UE

WOLFGANG

TOOLS

Nous,
Mascot Online BV.
Veluwezoom 32
1327 AH Almere
Pays-Bas

Déclarons en toute responsabilité que le produit :

- Marque du produit : Wolfgang Tools
- N° de modèle du produit : LB3000S
- Description du produit : Souffleur de feuilles
- Puissance du produit : 3300 W

Conforme aux dispositions des directives :

Directive RoHS CE : 2015/863 modifiant : 2011/65/UE
Directive CEM CE : 2014/30/UE
Directive Basse Tension CE : 2014/35/UE
Directive Machines CE : 2006/42/CE

Et aux normes européennes harmonisées suivantes :

EN 60335-1:2012/A2 :2019
EN 50636-2-100:2014
EN 62233:2008
AfPS GS 2019 :01 PAK
EN 55014-1:2017/A 11 :2020
EN 55014-2:2015
EN 61000-3-2:2019
EN 61000-3-3:2013/A1 :2019

Lieu : Almere
Date d'émission : 01-04-2023

Signature :

Nom de signature autorisée : B van Dijk

Titre : Directeur général

LAUBBLÄSER 3300 W



Lesen Sie die mitgelieferten Sicherheitshinweise, die zusätzlichen Sicherheitshinweise und Anleitungen. Falls die Sicherheitshinweise und Anleitungen nicht befolgt werden, kann dies zu einem Stromschlag, Brand und/oder ernsthaften Verletzungen führen. Heben Sie Sicherheitshinweise und Anleitungen als künftige Referenz auf.

VERWENDUNGSZWECK

Dieses Elektrowerkzeug ist zum Beseitigen von Laub von der Straße, dem Garten und Rasen bestimmt. Das Gebläse im Inneren des Laubsaugers erzeugt einen Luftstrom, der dazu genutzt werden kann, Blätter wegzublasen oder die Blätter in den Auffangbeutel zu saugen. Benutzen Sie dieses Gerät nur entsprechend der Beschreibung und für die angegebenen Anwendungsbereiche. Benutzen Sie dieses Gerät nicht an Menschen und Tieren, da dies zu Verletzungen führen könnte. Dieses Gerät ist nicht für den professionellen Gebrauch bestimmt.

1. TECHNISCHE DATEN

Technische Spezifikationen	
Modell	LB3000S
Spannung	230-240 V 50 Hz
Schutzklasse	II
Eingangsleistung	3300 W
Leerlaufdrehzahl	15000 U/min
Max. Gebläsedrehzahl	270 km/h
Max. Luftvolumen	13,2 m ³ /Min.
Zerkleinerungsgrad	10:1
Beutelnkapazität Sauger	35 L
Gewicht	2,6 kg
L _{pa} (Schalldruckpegel)	92 dB(A), K=3 dB(A)
L _{wa} (Schalleistungspegel)	96 dB(A)
Schwingungspegel	2,53 m/s ² , K=1,5 m/s ²

BESCHREIBUNG

Die Zahlen im Text beziehen sich auf die Abbildungen auf den Seiten: 1 - 2.

1. Griff
2. Zusatzgriff
3. Stromkabel
4. Kabelhaken
5. Ein/Aus-Schalter
6. Oberes Rohr
7. Unteres Rohr
8. Auffangbeutel
9. Einlassrohr für Auffangbeutel
10. Befestigungsclip für Laubsack
11. Hebel für Blas-/Saugfunktion
12. Tragegurthaken
13. Radhalterung
14. Räder
15. Tragegurt

2. SICHERHEITSHINWEISE

Es werden folgende Symbole in dieser Anleitung verwendet:

	Warnhinweis: Lesen Sie alle Sicherheitshinweise und -anweisungen.
	Bezeichnet die Gefahr von Personenschäden, Verlust von Leben oder Beschädigung des Gerätes bei Nichtbeachtung der Anweisungen in dieser Anleitung.
	Gefahr durch Stromschlag.
	Gefahr durch fliegende Objekte.
	Halten Sie Umstehende vom Arbeitsbereich fern.
	Nicht bei Regen verwenden oder bei Regen im Freien stehen lassen.
	Tragen Sie Augenschutz.
	Tragen Sie Gehörschutz.
	Warnhinweis: Das Gebläse dreht sich beim Öffnen oder Schließen der Abdeckung weiter, seien Sie vorsichtig, vor allem bei der Innenabdeckung.

ALLGEMEINE SICHERHEITSHINWEISE FÜR ELEKTROWERKZEUGE - PERSONLICHE SICHERHEIT



WARNHINWEIS!

Lesen Sie alle Sicherheitswarnungen und alle Anweisungen.

Falls die Warnhinweise und Anweisungen nicht befolgt werden, kann dies zu einem Stromschlag, Brand und/oder ernsthaften Verletzungen führen.



Heben Sie Sicherheitshinweise und Anleitungen als künftige Referenz auf. Der Begriff „Elektrowerkzeug“ in den

Warnhinweisen bezieht sich auf Ihr netzbetriebenes (kabelgebundenes) Elektrowerkzeug oder Ihr batteriebetriebenes (kabelloses) Elektrowerkzeug.

1) SICHERHEIT AM ARBEITSPLATZ

- Halten Sie den Arbeitsplatz sauber und gut beleuchtet.**
Nicht aufgeräumte oder dunkle Bereiche führen zu Unfällen.
- Elektrowerkzeuge sollten nicht in explosionsgefährdeten Umgebungen in Betrieb genommen werden, wie in der Nähe von brennbaren Flüssigkeiten, Gasen oder Staub.** Elektrowerkzeuge erzeugen Funken, die Staub oder Dämpfe entzünden können.
- Halten Sie während der Bedienung eines Elektrowerkzeugs Kinder und Umstehende fern.** Ablenkungen können dazu führen, dass Sie die Kontrolle verlieren.

2) ELEKTRISCHE SICHERHEIT

- a. **Stecker** von Elektrowerkzeugen müssen zur Steckdose passen. **Der Stecker darf in keiner Weise verändert werden. Verwenden Sie zusammen mit (geerdeten) Elektrowerkzeugen keine Zwischenstecker.** Unveränderte Stecker und passende Steckdosen reduzieren das Stromschlagrisiko.
- b. **Vermeiden Sie Körperkontakt mit geerdeten Oberflächen, wie Rohrleitungen, Heizkörpern, Herden und Kühlschränken.** Es besteht ein erhöhtes Stromschlagrisiko, wenn Ihr Körper geerdet ist.
- c. **Elektrowerkzeuge dürfen nicht Regen oder Nässe ausgesetzt werden.** In ein Elektrowerkzeug eindringendes Wasser erhöht das Stromschlagrisiko.
- d. **Das Kabel sollte nicht falsch behandelt werden. Das Kabel sollte nie zum Tragen, Ziehen oder Ausziehen des Elektrowerkzeugs benutzt werden. Das Kabel sollte von Wärme, Öl, scharfen Kanten oder beweglichen Teilen ferngehalten werden.** Beschädigungen oder verwickelte Kabel erhöhen das Stromschlagrisiko.
- e. **Bei der Verwendung eines Elektrowerkzeugs im Freien ist ein für den Außeneinsatz geeignetes Verlängerungskabel zu benutzen.** Die Verwendung eines für den Außeneinsatz geeigneten Kabels reduziert das Stromschlagrisiko.
- f. **Wenn der Betrieb eines Elektrowerkzeugs an einem feuchten Ort unvermeidlich ist, verwenden Sie eine mit einer Fehlerstrom-Schutzeinrichtung (RCD) ausgestattete Stromversorgung.** Die Verwendung einer RCD senkt die Gefahr durch Stromschlag.

3) PERSÖNLICHE SICHERHEIT

- a. **Bleiben Sie wachsam, achten Sie auf das, was Sie tun und nutzen Sie Ihren gesunden Menschenverstand, wenn Sie ein Elektrowerkzeug bedienen. Benutzen Sie ein Elektrowerkzeug nicht, wenn Sie müde sind oder unter dem Einfluss von Drogen, Alkohol oder Medikamenten stehen.** Ein Moment der Unaufmerksamkeit während der Bedienung von Elektrowerkzeugen kann zu ernsthaften Verletzungen führen.
- b. **Verwenden Sie eine persönliche Schutzausrüstung. Tragen Sie immer Augenschutz.** Schutzausrüstung wie Staubschutzmaske, rutschfeste Sicherheitsschuhe, Schutzhelm oder Gehörschutz, die unter den entsprechenden Bedingungen verwendet werden, reduzieren Verletzungen.
- c. **Unbeabsichtigtes Einschalten verhindern. Stellen Sie sicher, dass der Schalter auf der Position „Aus“ steht, bevor Sie das Elektrowerkzeug an eine Stromquelle anschließen und/oder Batterien einlegen, das Werkzeug aufheben oder tragen.** Das Tragen von Elektrowerkzeugen mit Ihrem Finger auf dem Schalter oder das unter Strom setzen von Elektrowerkzeugen, deren Schalter auf „Ein“ steht, führt zu Unfällen.
- d. **Entfernen Sie vor dem Einschalten des Elektrowerkzeugs alle Einstell- oder Schraubenschlüssel.** Ein Schraubenschlüssel oder ein Schlüssel, der an einem rotierenden Teil des Elektrowerkzeugs befestigt ist, kann zu Verletzungen führen.
- e. **Nicht zu weit reichen. Immer auf einen festen Stand und ein gutes Gleichgewicht achten.** Dies ermöglicht eine bessere Kontrolle über das Elektrowerkzeug in unerwarteten Situationen.
- f. **Richtige Kleidung tragen. Tragen Sie keine lockere Kleidung oder Schmuck. Halten Sie Ihre Haare, Kleidung und Handschuhe von beweglichen Teilen fern.** Weite Kleidung, Schmuck oder lange Haare können sich in beweglichen Teilen verfangen.
- g. **Wenn Geräte zum Anschluss an Entstaubungs- und Staubsammelvorrichtungen bereitgestellt werden, stellen Sie sicher, dass diese angeschlossen sind und richtig benutzt werden.** Die Verwendung von Staubsammelvorrichtungen kann mit Staub zusammenhängende Gefahren reduzieren.

4) BENUTZUNG UND WARTUNG DES ELEKTROWERKZEUGS

- a. **Üben Sie keine Kraft auf das Elektrowerkzeug aus. Benutzen Sie das richtige Elektrowerkzeug für Ihren Einsatz.** Das richtige Elektrowerkzeug wird die Arbeit besser und sicherer erledigen, weil es dafür entworfen wurde.
- b. **Verwenden Sie das Elektrowerkzeug nicht, wenn sich der Schalter nicht ein- und ausschalten lässt.** Ein Elektrowerkzeug, das mit dem Schalter nicht bedient werden kann, ist gefährlich und muss repariert werden.
- c. **Ziehen Sie den Stecker aus der Stromquelle, bevor Sie Änderungen vornehmen, Zuhörteile austauschen oder Elektrowerkzeuge lagern.** Solche vorbeugenden Schutzmaßnahmen reduzieren das Risiko, dass sich das Elektrowerkzeug versehentlich einschaltet.
- d. **Bewahren Sie inaktive Elektrowerkzeuge außerhalb der Reichweite von Kindern auf und erlauben Sie Personen, die nicht mit diesem Elektrowerkzeug oder diesen Anweisungen vertraut sind, nicht die Bedienung des Elektrowerkzeugs.** Das Elektrowerkzeug ist in den Händen ungeübter Benutzer gefährlich.
- e. **Wartung des Elektrowerkzeugs. Überprüfen Sie die Ausrichtung oder die Verankerung von beweglichen Teilen, den Bruch von Teilen und alle anderen Bedingungen, die den Betrieb des Elektrowerkzeugs beeinträchtigen können. Wenn es beschädigt ist, lassen Sie das Elektrowerkzeug vor der Benutzung reparieren.** Viele Unfälle werden durch schlecht gepflegte Elektrowerkzeuge verursacht.
- f. **Benutzen Sie das Elektrowerkzeug und das Zubehör entsprechend dieser Anweisungen und unter Berücksichtigung der Arbeitsbedingungen und der auszuführenden Arbeit.** Die Benutzung des Elektrowerkzeugs für vom Verwendungszweck abweichende Tätigkeiten kann zu gefährlichen Situationen führen.

5) KUNDENDIENST

- a. **Lassen Sie Ihr Elektrowerkzeug von qualifiziertem Fachpersonal warten, das nur original Ersatzteile verwendet.** Dies gewährleistet, dass die Sicherheit des Elektrowerkzeugs erhalten bleibt.

ZUSÄTZLICHE SICHERHEITSHINWEISE FÜR DAS ELEKTROGERÄT

- Entsorgen Sie Plastiksäcke vorschriftsmäßig - sie sind eine Erststichungsgefahr für kleine Kinder.
- Halten Sie den Arbeitsbereich sauber und ordentlich. Elektrowerkzeuge dürfen nicht Regen oder Nässe ausgesetzt werden.
- Wir empfehlen Ihnen nachdrücklich, bei Verwendung dieses Gerätes einen FI-Schutzschalter (Fehlerstromschutzschalter) von nicht mehr als 30 mA am Steckdosenanschluss zu verwenden.
- Verwenden Sie das Elektrowerkzeug nicht in der Nähe von brennbaren Flüssigkeiten oder Gasen, da Brand- oder Explosionsgefahr besteht.
- Lassen Sie keine Personen, vor allem keine Kinder oder Haustiere, in Ihren Arbeitsbereich.
- Kinder oder andere Personen dürfen das Elektrowerkzeug nicht anfassen.
- An einem trockenen Ort und außerhalb der Reichweite von Kindern aufbewahren.
- Tragen Sie immer eine Schutzbrille. Wir empfehlen auch das Tragen eines Gehörschutzes.
- Tragen Sie angemessene Kleidung (lange Hose) - keine weiten Kleidungsstücke oder Schmuck und achten Sie darauf, dass die Kleidung nicht in Kontakt mit beweglichen Teilen kommt.
- Tragen Sie rutschfeste Schuhe. Verzichten Sie auf Sandalen oder offene Schuhe.
- Langes Haar muss zurückgebunden werden, damit es nicht in die beweglichen Teile gelangt.
- Bevor Sie ein Elektrowerkzeug verwenden, überprüfen Sie es zuerst auf Beschädigungen. Bei Beschädigungen das Gerät erst verwenden, wenn das Teil/die Teile ausgetauscht wurden.
- Verwenden Sie das Elektrowerkzeug nicht, wenn Sie müde sind oder Alkohol getrunken haben.

- Bei der Arbeit nicht zu weit nach vorne beugen, Sie könnten Ihr Gleichgewicht verlieren.
- Sie müssen das Elektrowerkzeug nach dem Gebrauch am Ein-/Aus-Schalter ausschalten.
- Benutzen Sie dieses Gerät nur für den vorgesehenen Zweck - das Wegblasen oder Einsaugen von Laub.
- Richten Sie das Elektrowerkzeug nicht auf Personen oder Tiere.
- Blasen Sie keine Fremdkörper in die Richtung von Personen oder Tieren, da dies zu Verletzungen führen könnte.
- Bedienen Sie das Elektrowerkzeug nur bei Tageslicht oder bei gutem Kunstlicht.
- Fassen Sie mit Ihrer Hand erst dann in den Gebläseschlauch oder in den Auffangbeutel, wenn das Elektrowerkzeug ausgeschaltet und der Stecker aus der Stromversorgung gezogen wurde.
- Verwenden Sie nur Verlängerungskabel, die für den Außeneinsatz geeignet sind. Das Kabel muss von zu großer Hitze, Öl, Lösungsmitteln und scharfen Kanten ferngehalten werden.
- Verwenden Sie das Elektrowerkzeug nicht, um Flüssigkeiten zu entfernen.
- Saugen Sie keine heißen oder brennenden Materialien wie z.B. Glut, Streichhölzer, kürzlich ausgedrückte Zigarettenstummel ein.
- Verwenden Sie das Elektrowerkzeug niemals ohne den ordnungsgemäß befestigten Beutel.
- Überprüfen Sie regelmäßig, ob alle Schrauben und Muttern fest angezogen sind.
- Der Bediener oder Benutzer ist für Unfälle oder Gefährdungen anderer Personen oder deren Eigentum verantwortlich.
- Um eine Staubreizung zu vermeiden, empfehlen wir das Tragen einer Atemschutzmaske.
- Führen Sie das Kabel immer nach hinten, weg vom Elektrowerkzeug.
- Tragen Sie das Elektrowerkzeug nicht am Kabel.

DAS ELEKTROWERKZEUG VON DER STROMVERSORGUNG TRENNEN:



- Vor der Beseitigung einer Verstopfung.
- Vor der Überprüfung, Reinigung oder Wartung des Elektrowerkzeugs.
- Wenn das Elektrowerkzeug ungewöhnlich vibriert.
- Wann immer Sie das Elektrowerkzeug ablegen.
- Achten Sie an Hanglagen stets auf einen sicheren Stand.
- Gehen, niemals Laufen.
- Halten Sie alle Lufteinlässe frei von Schmutz oder Fremdkörpern.
- Achten Sie darauf, dass alle Muttern, Bolzen und Schrauben fest angezogen sind, um zu gewährleisten, dass sich das Elektrowerkzeug in einem sicheren Betriebszustand befindet.
- Überprüfen Sie den Schmutzfang regelmäßig auf Abnutzung oder Verschleiß.
- Ersetzen Sie verschlissene oder beschädigte Teile.
- Verwenden Sie nur original Ersatzteile und Zubehör.

ZIEHEN SIE SOFORT DEN NETZSTECKER AUS DER STECKDOSE:

- Wenn Sie das Elektrowerkzeug nicht benutzen.
- Wenn Sie das Elektrowerkzeug überprüfen, reinigen oder Verstopfungen beseitigen.
- Wenn das Elektrowerkzeug beschädigt ist.
- Bei ungewöhnlicher Funkenbildung.
- Bei Beschädigung des Netzsteckers oder der Stromleitung.
- Bei defektem Schalter.
- Bei Rauch oder Geruch nach verbrannter Isolierung.

ELEKTRISCHE SICHERHEIT

Bei der Bedienung des Elektrowerkzeugs sind die in Ihrem Land geltenden Sicherheitsbestimmungen zu beachten, um die Gefahr von Brand, Stromschlag und Personenschäden zu verringern. Beachten Sie die folgenden Sicherheitsanweisungen.

	Überprüfen Sie immer, ob die Spannung des Netzteils mit der Spannung auf dem Typenschild übereinstimmt.
	Gerät der Klasse II - Zweifach isoliert

Wenn der Betrieb eines Elektrowerkzeugs an einem feuchten Ort unvermeidlich ist, verwenden Sie eine mit einer Fehlerstrom-Schutzeinrichtung (RCD) ausgestattete Stromversorgung. Die Verwendung einer RCD senkt die Gefahr durch Stromschlag.

NETZKABEL ERSETZEN

Wenn das Netzkabel beschädigt ist, muss es vom Hersteller, seinem Kundendienstmitarbeiter oder ähnlich qualifizierten Personen ersetzt werden, um eine Gefahr zu vermeiden.

VERLÄNGERUNGSKABEL VERWENDEN

Verwenden Sie nur ein zugelassenes Verlängerungskabel, das für die Stromversorgung des Geräts geeignet ist. Die minimale Leitungsgröße beträgt 1,5 mm². Bei Verwendung einer Kabeltrommel die Trommel immer vollständig abrollen.

3. MONTAGE



Schalten Sie vor der Montage das Gerät immer aus und ziehen Sie den Netzstecker aus der Steckdose.

MONTAGE DER ROHRE (ABB. B, D)

- Schrauben Sie das obere Rohr (6) auf das Motorgehäuse.
- Schrauben Sie das untere Rohr (7) auf das obere Rohr (6).
- Befestigen Sie die Radhalterung (13), indem Sie sie auf den unteren Rohrschnitt (7) schieben, bis zum vorgesehenen Anschlag am unteren Rohr (7). Schrauben Sie die Befestigungsschraube so weit ein, bis die Radhalterung (13) sicher befestigt ist.
- Schrauben Sie die Räder (14) auf die Radhalterung (13).

SCHULTERGURT (ABB. A)

Befestigen Sie den Tragegurt (15) am Tragegurthaken (12) am Griff. Um den Schultergurt auf die gewünschte Länge einzustellen, schieben Sie einfach die verstellbare Gurtschnalle vor oder zurück.

DEN AUFFANGBEUTEL BEFESTIGEN (ABB. C)

Im Saugermodus immer den Auffangbeutel (8) verwenden.



Befestigen Sie den Haken am unterem Gehäuse. Schieben Sie das offene Ende des Auffangbeutels über den Schlauch und verbinden Sie ihn mit dem Gehäuse (9).



Überprüfen Sie den Auffangbeutel vor jedem Gebrauch auf mögliche Schäden. Es können kleine, scharfe Gegenstände angesaugt werden und wenn der Beutel beschädigt oder abgenutzt ist, können die Gegenstände in Ihre Richtung oder in die Richtung anderer geschleudert werden. Dies kann zu schweren Verletzungen führen.

4. BEDIENUNG

BEDIENUNG (ABB. A)

Schließen Sie das Elektrowerkzeug an das Stromnetz (oder das Verlängerungskabel) an und wenn Sie bereit sind und gut stehen, drücken Sie den Ein-/Ausschalter (5). Zum Ausschalten erneut drücken.

Hinweis: Wir empfehlen die Verwendung eines robusten Außenverlängerungskabels.

Stellen Sie die Länge des Tragegurtes so ein, dass Sie aufrecht stehen können und das Elektrowerkzeug während des Betriebs auf seinen Rädern ruhen kann. Dies entlastet Ihre Schultern und Ihren Rücken. Arbeiten Sie in einer Vorwärts- und Rückwärtsrichtung, nicht seitwärts.

DEN BETRIEBSMODUS ÄNDERN (ABB. E)

Wenn Sie von einem Modus in einen anderen wechseln möchten, ziehen Sie einfach am Hebel (11). Drehen Sie ihn im Uhrzeigersinn für den Gebläsemodus und gegen den Uhrzeigersinn für den Saugmodus (denken Sie daran, den Beutel einzusetzen, wenn Sie den Saugmodus einstellen).

5. WARTUNG



Schalten Sie vor der Reinigung und Wartung das Gerät immer aus und ziehen Sie den Netzstecker aus der Steckdose.

Dieses Elektrowerkzeug wurde entwickelt, um über einen langen Zeitraum bei möglichst geringer Wartung zu funktionieren. Ein dauerhaft störungsfreier Betrieb hängt von der richtigen Wartung der Maschine und der regelmäßigen Reinigung ab.

REINIGUNG

Halten Sie die Lüftungsschlitze des Elektrowerkzeugs sauber, um eine Überhitzung des Motors zu vermeiden. Reinigen Sie das Gehäuse regelmäßig mit einem weichen Tuch, bevorzugt nach jedem Einsatz. Halten Sie die Lüftungsschlitze frei von Staub und Schmutz. Wenn sich der Schmutz nicht löst, benutzen Sie ein weiches Tuch, das mit Seifenlauge getränkt ist. Verwenden Sie niemals Lösungsmittel wie Benzin, Alkohol, Salmiakgeist, usw. Diese Lösungsmittel können die Kunststoffteile beschädigen.

Die Änderung aller Inhalte und der technischen Daten in dieser Anleitung ist ohne vorherige Ankündigung vorbehalten.

ANWEISUNGEN ZUM SCHUTZ DER UMWELT (EEAG, Rückgewinnung von Elektro- und Elektronik-Altgeräten, gilt in den EU-Mitgliedstaaten)



Ihr Produkt wurde aus qualitativ hochwertigen Materialien und Teilen hergestellt, die recycelt und wiederverwendet werden können. Am Ende seiner Lebensdauer darf dieses Produkt nicht im normalen Hausmüll entsorgt werden, sondern muss zu einer speziellen Sammelstelle für das Recycling von elektrischen und elektronischen Geräten gebracht werden. Dies wird in der Bedienungsanleitung und auf der Verpackung durch den durchgestrichenen Abfallbehälter angezeigt. Die verwendeten Rohstoffe sind recyclingfähig.

Sie können die nächstgelegene Sammelstelle bei Ihrer Gemeinde erfragen.

Durch die Wiederverwertung der Altgeräte oder Rohstoffe leisten Sie einen wichtigen Beitrag zum Schutz unserer Umwelt.

Die ordnungsgemäße Entsorgung stellt sicher, dass Elektro- und Elektronik-Altgeräte (die gefährliche Stoffe enthalten können) in angemessener Weise recycelt und wiederverwendet werden. Es trägt dazu bei, potenzielle Schäden für die Umwelt, die menschliche

Gesundheit und die Tierwelt zu vermeiden und die natürlichen Ressourcen zu erhalten.

Batterien:

Entsorgen Sie Batterien nicht im Hausmüll. Die Batterien können in Ihrem örtlichen Recyclingzentrum entsorgt werden. Wenden Sie sich für weitere Informationen an die zuständigen Behörden vor Ort.



Die folgenden Informationen gelten nur für EU-Mitgliedstaaten.

Pb, Hg, Cd Wenn die Batterie höhere als die in der europäischen Batterierichtlinie (2006/66/EG) festgelegten Werte für Blei (Pb), Quecksilber (Hg) und/oder Cadmium (Cd) enthält, stehen die chemischen Symbole für Pb, Hg und/oder Cd unter dem Symbol der durchgestrichenen Mülltonne.

EU-KONFORMITÄTSERKLÄRUNG

WOLFGANG

TOOLS

Wir,
Mascot Online B.V.
Veluwezoom 32
1327 AH Almere
Niederlande

erklären in unserer alleinigen Verantwortung, dass das Produkt:

- Produktmarke: Wolfgang Tools
- Produktmodell Nr.: LB3000S
- Produktbeschreibung: Laubbläser
- Produktbewertung: 3300 W

Den Bestimmungen der folgenden Richtlinien entspricht:

EG-Richtlinie RoHS: 2015/863 Änderung der Richtlinie: 2011/65/EU
EG-Richtlinie EMC: 2014/30/EU
EG-Niederspannungsrichtlinie: 2014/35/EU
EG-Maschinenrichtlinie: 2006/42/EG

Sowie der folgenden harmonisierten Europäischen Normen:

EN 60335-1:2012/A2 :2019
EN 50636-2-100:2014
EN 62233:2008
AfPS GS 2019 :01 PAK
EN 55014-1:2017/A 11 :2020
EN 55014-2:2015
EN 61000-3-2:2019
EN 61000-3-3:2013/A1 :2019

Ort: Almere
Ausstellungsdatum: 01.04.2023

Unterschrift:

Berechtigter Name der Signatur: B van Dijk
Anrede: Geschäftsführer

Mascot Online B.V.
Veluwezoom 32
1327 AH Almere
The Netherlands
www.mascot-online.nl