
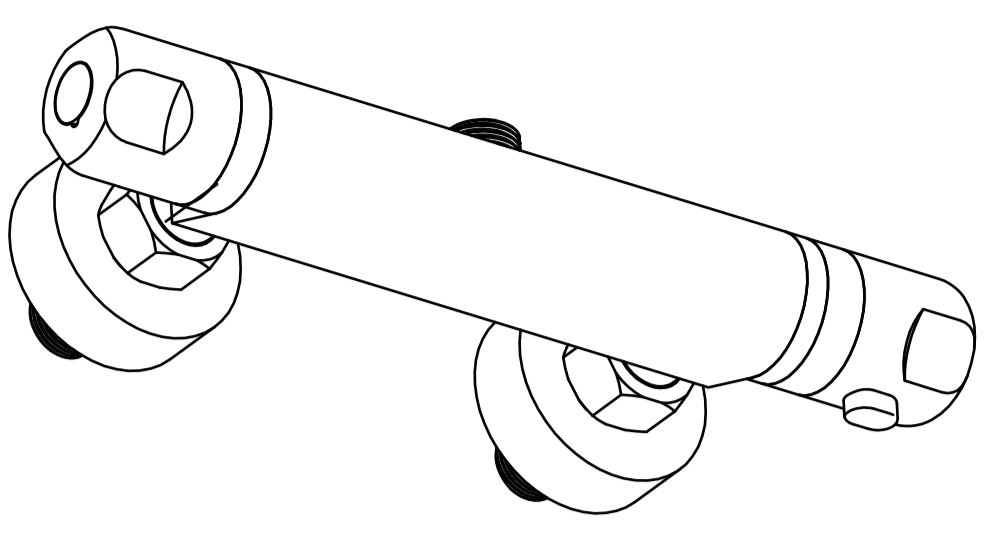


EN

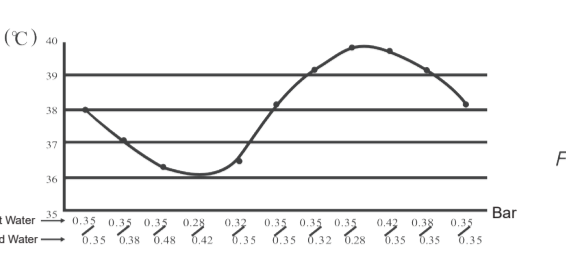
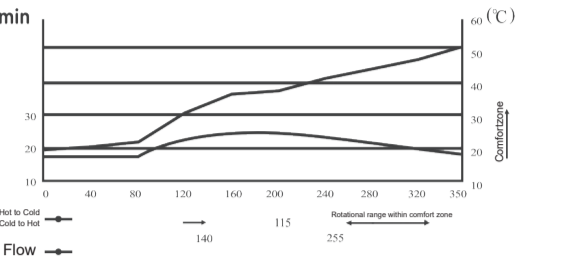
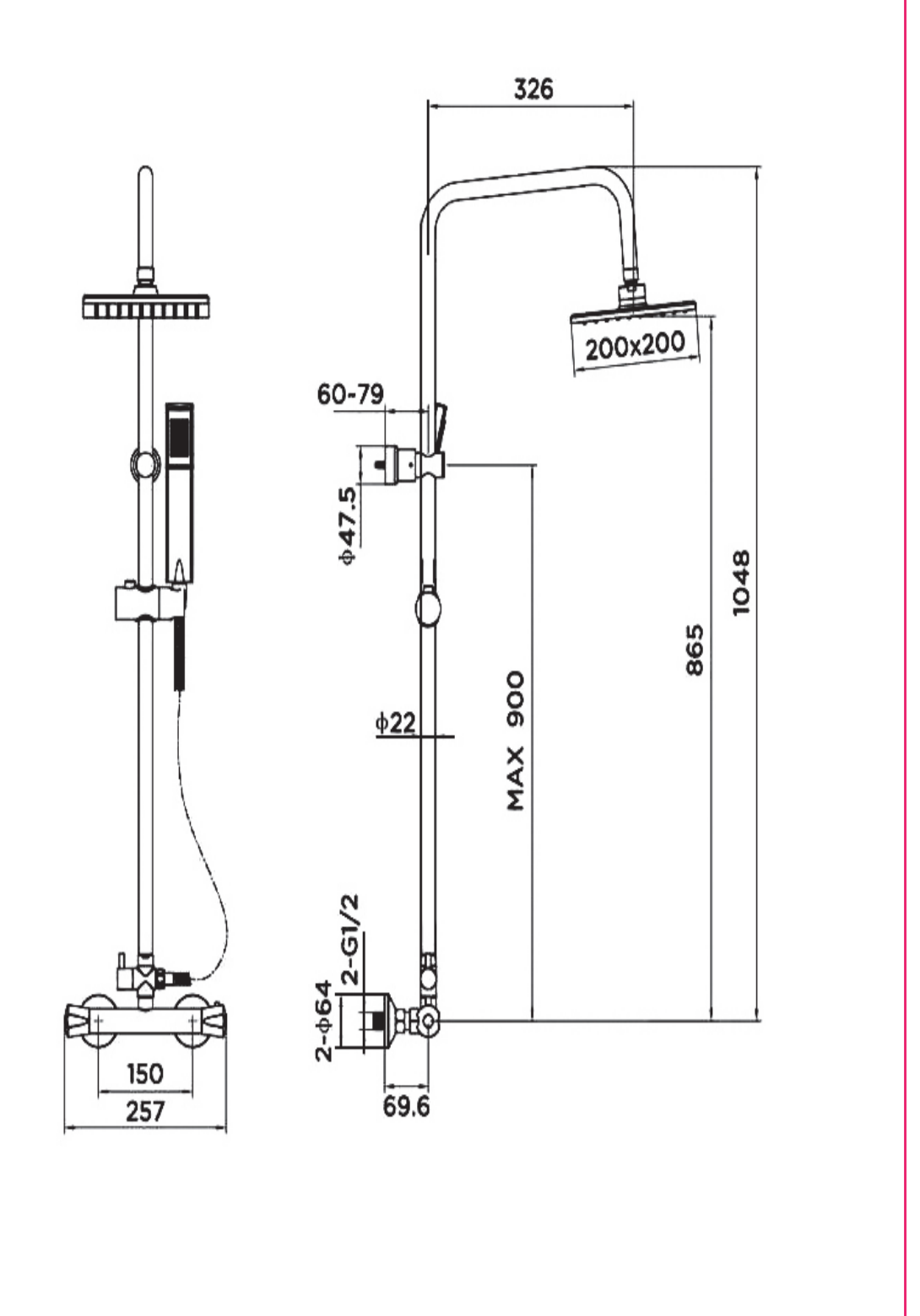
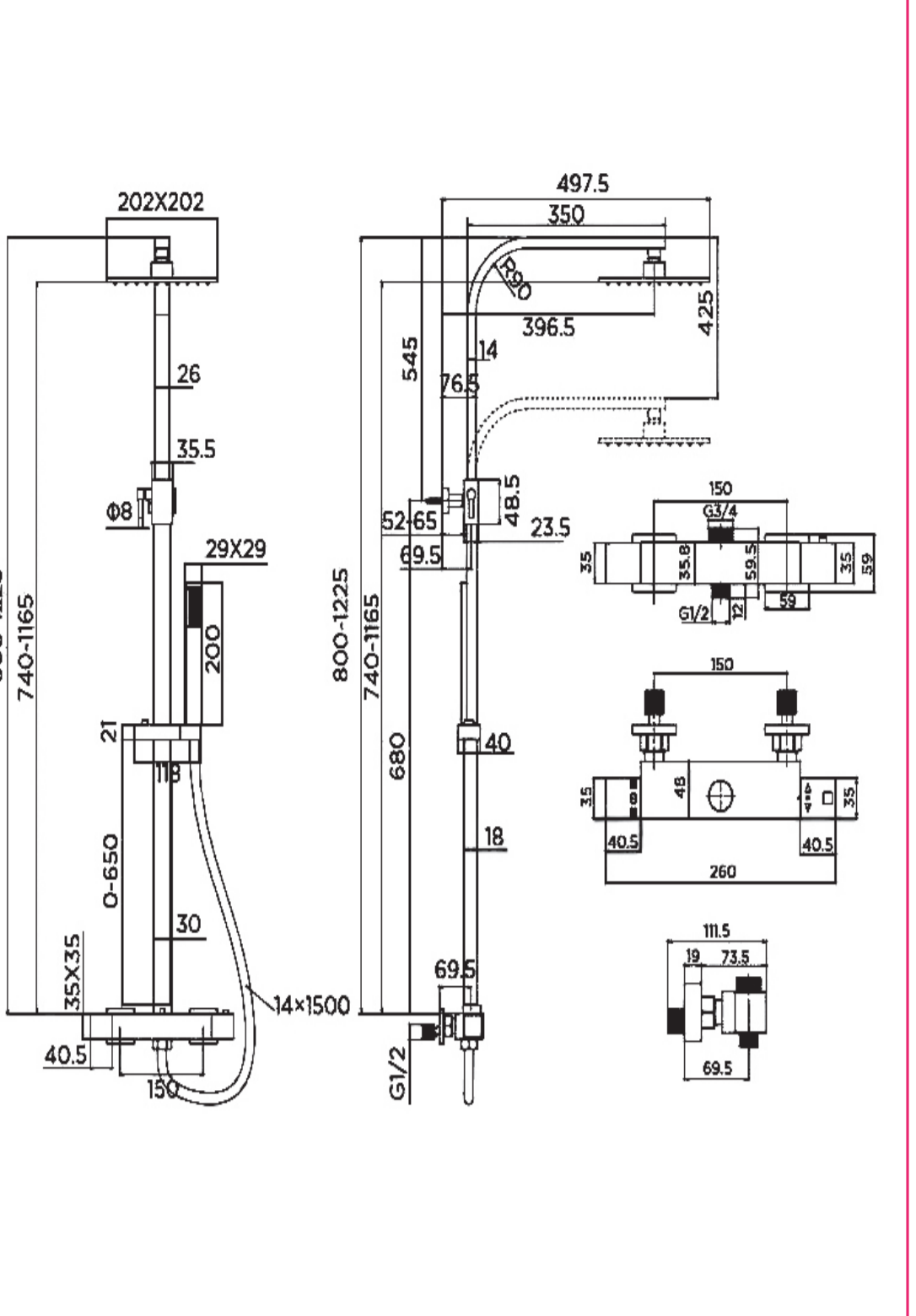
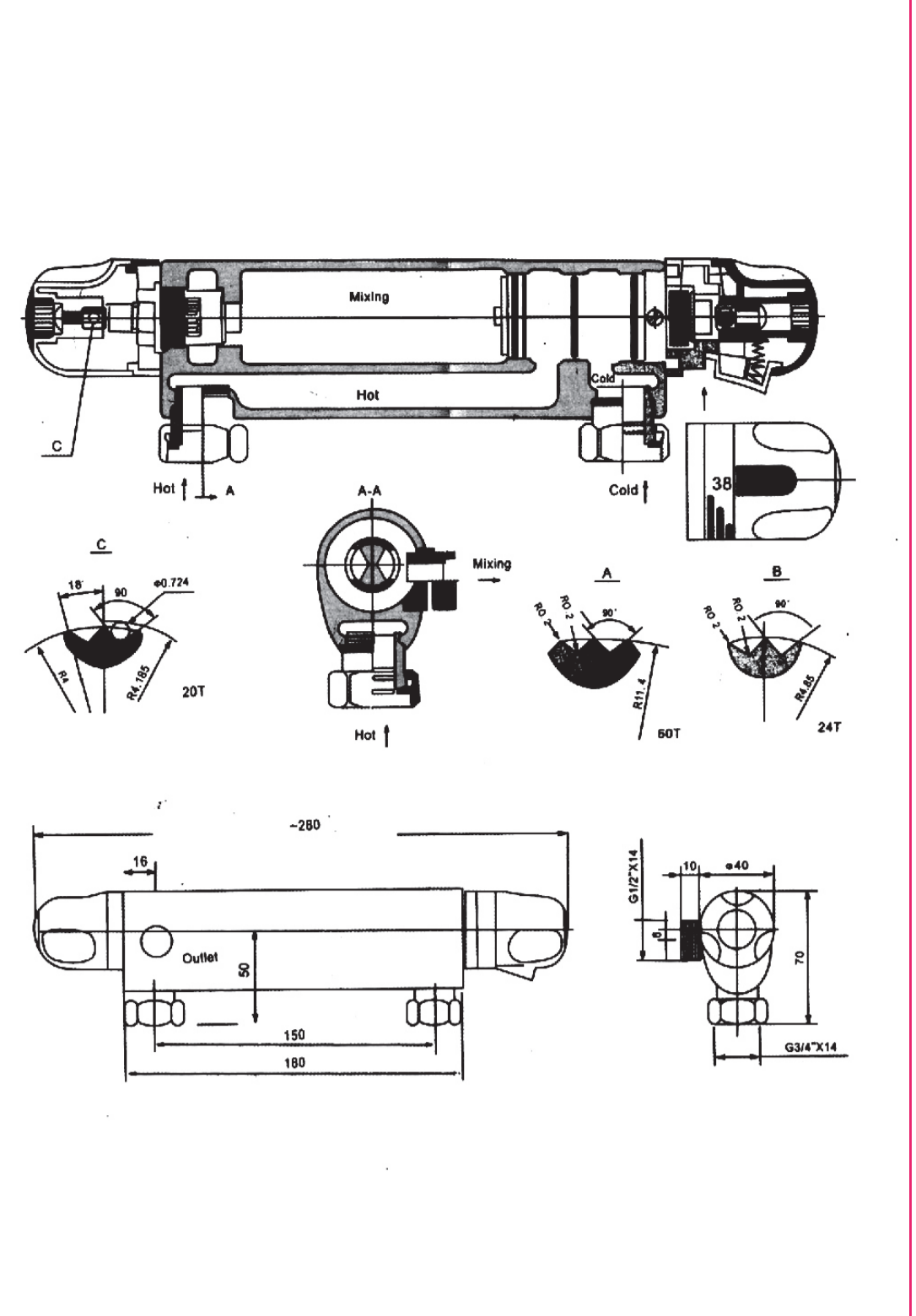


Constant temperature main item instruction for use



Model No: AL-812X

Recommended pressure: 0.1-0.5MPa
 Cold water supply temperature: 8-29 °C
 Hot water supply temperature: 55-85 °C
 Outlet water temperature range: 20-50 °C
 Security step: 38 °C
 Cold water supply failure test within 5 seconds of cold water supply failure outflow rate 5200ml (if the outflow rate is 2000ml, outlet temperature 42 °C) the outflow rate 300ml, within 30 seconds.
 Outflow temperature Auto-aligning sensitivity:
 When inlet water temperature is constant and pressure varies by 20%, outlet water temperature change will be ±2°C.
 When inlet water pressure is constant and hot water temperature varies from 55 °C to 85 °C or cold water from 8 °C to 29 °C, outlet water temperature change will be ±2°C.
 The influence of water supply pressure on outflow temperature (see Fig.1)
 Flow rate(see Fig.1)
 Applicable standard:CSAB125-88, ASSE 1016, EN1111, AS4032.1, AS4032.2


UK REP (importer)
 Company: OBERO INTERNATIONAL LIMITED
 Contact: M. Tan
 Email: Contact@obero.com
 Address: Unit 1, Kest Park Commerce Way, Trafford Park, Manchester, England, M17 1HW

EC REP (importer)
 Firma: LIAH INTERNATIONAL GMBH
 Kontakt: Heri L.
 Email: Vertrieb@liah-international.de
 Adresse: Mollath-Schiller-Strasse 30, 12526 Berlin, Germany

Manufacturer: SHENZHEN RBU TECHNOLOGY GROUP CO., LTD
 Address: 9 Tengfei Road, Longping Sub-District, Longping District, Shenzhen, China


Distributor: VIGOR RECREATION LIMITED
 Address: Office 014 58 Peregrine Road, Iford, England, IG6 3SE

For more information please contact us at: support@uten.com

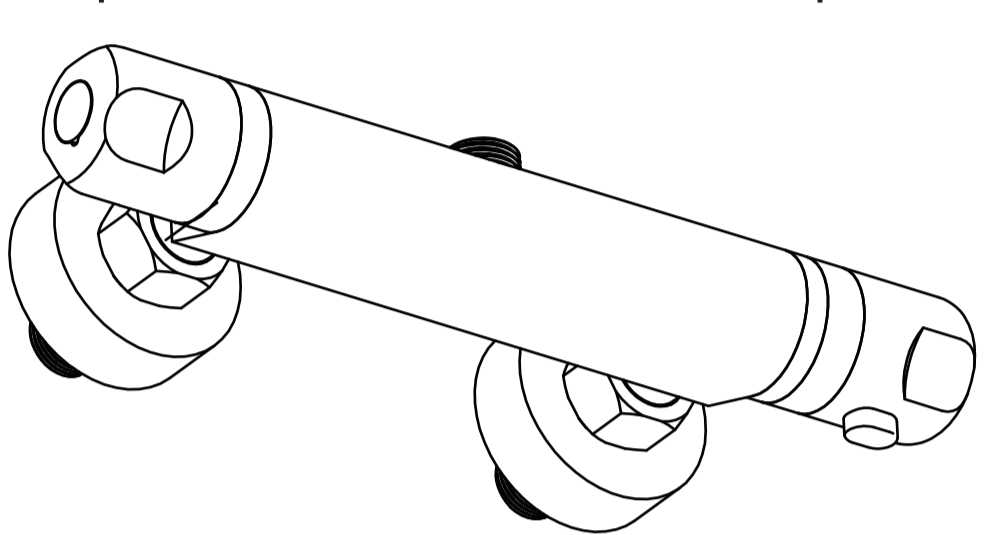


MADE IN CHINA

DE

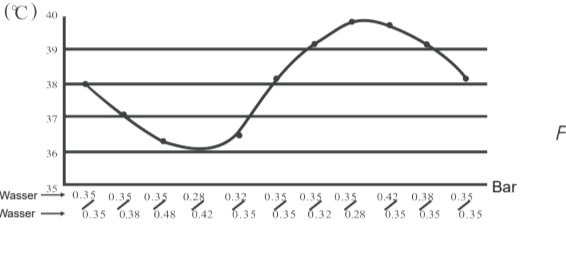
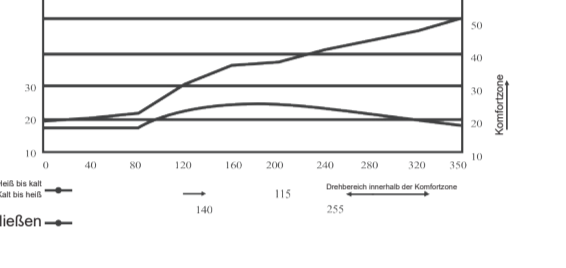
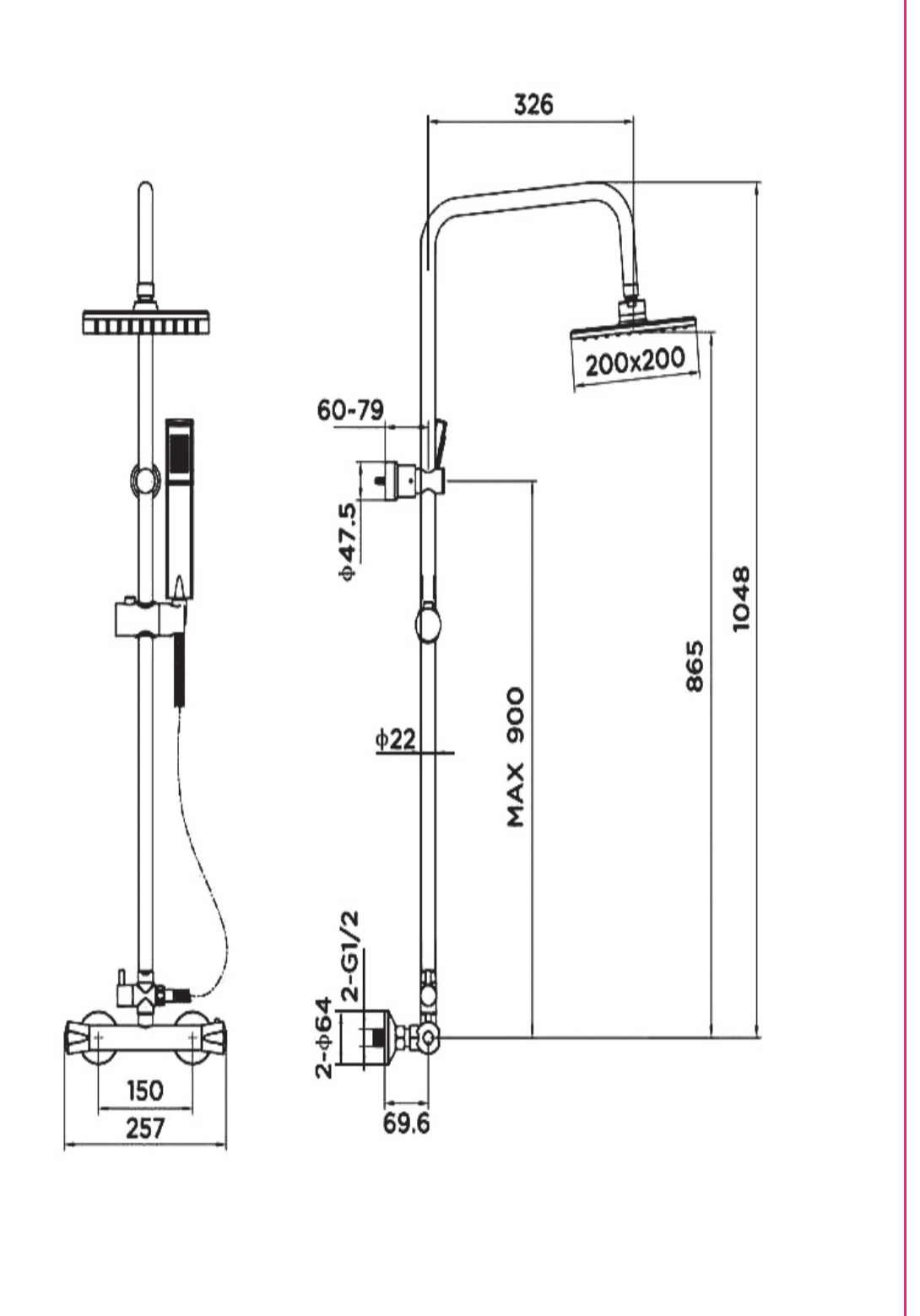
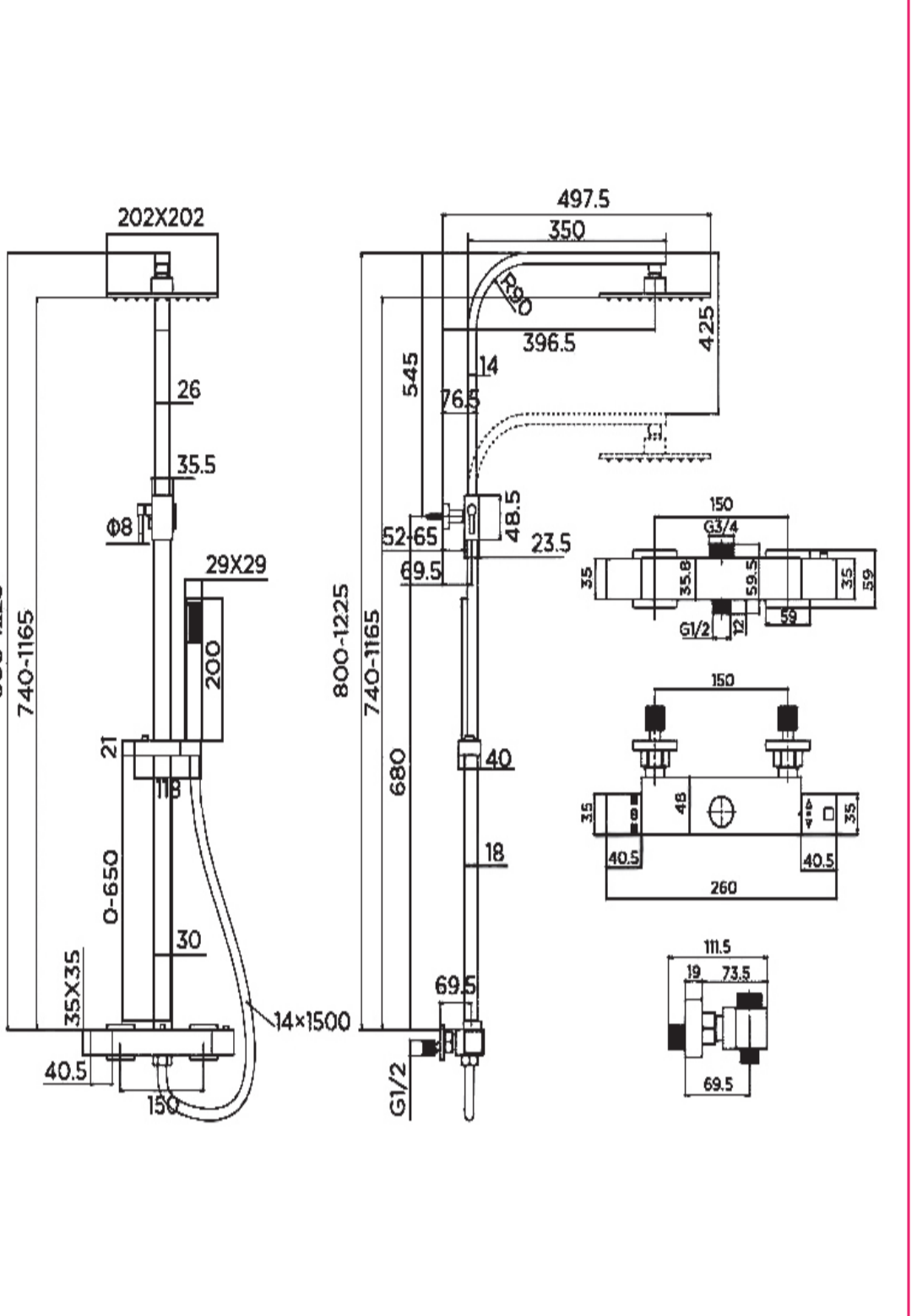
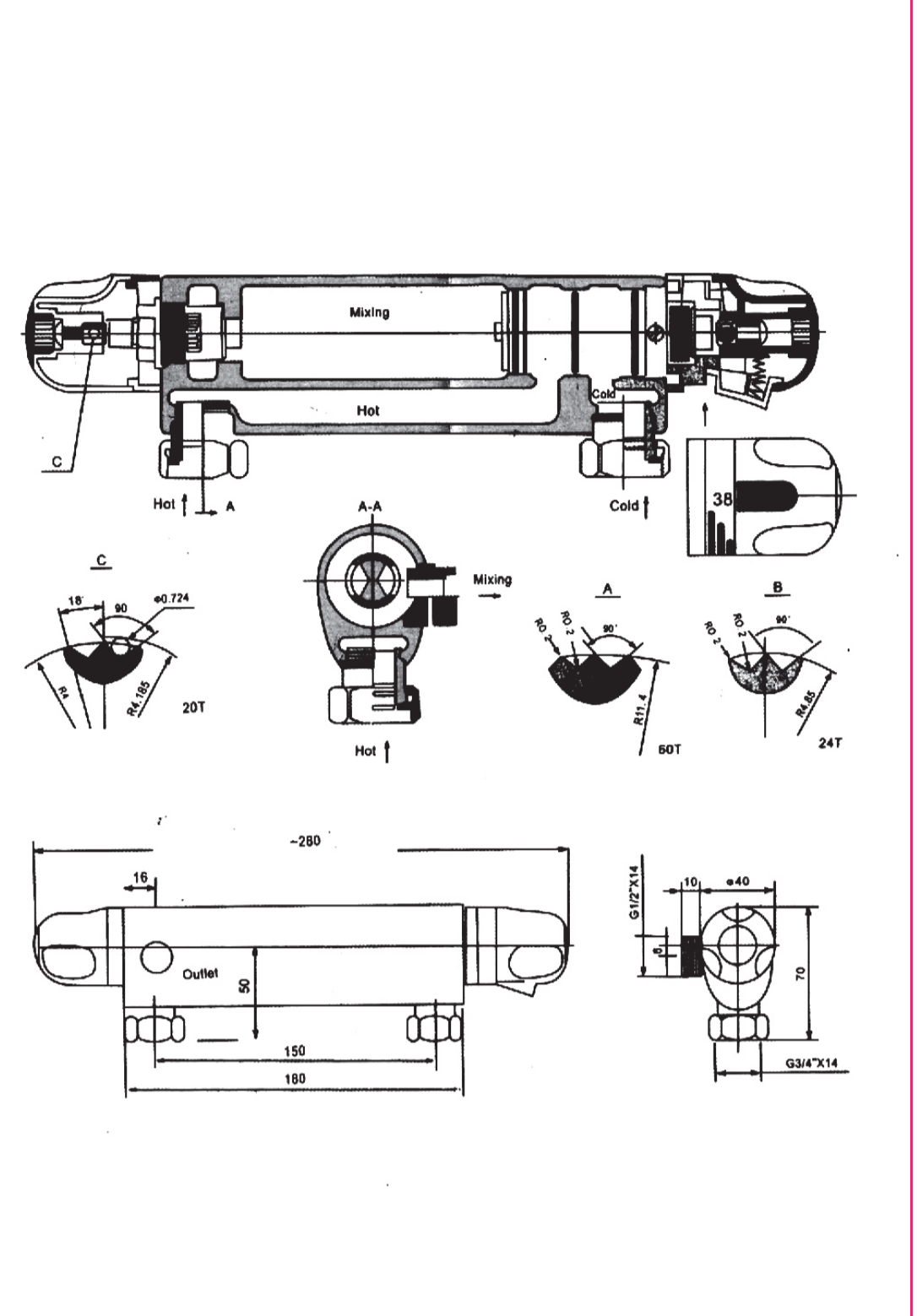


Gebrauchsanweisung für das Hauptelement mit konstanter Temperatur



Modell-Nr.AL-812X

Empfohlener Druck: 0,1-0,5 MPa
 Kaltwasserversorgungstemperatur: 8-29 °C
 Warmwasserversorgungstemperatur: 55-85 °C
 Auslasswassertemperaturbereich: 20-50 °C
 Sicherheitsstopp: 38 °C
 Fehlerzeit der Kaltwasserversorgung innerhalb von 5 Sekunden nach Ausfall der Kaltwasserversorgung: Abflussrate 5 200 ml (wenn die Abflussrate 2 200 ml, Auslasswassertemperatur 42 °C) die Abflussrate 300 ml innerhalb von 30 Sekunden.
 Auslaßtemperatur Empfindlichkeit für automatische Ausrichtung:
 Wenn die Einlasswassertemperatur konstant ist und der Druck um 20% variiert, beträgt die Änderung der Auslasswassertemperatur ± 2 °C.
 Wenn der Einlasswasserdruck konstant ist und die Wassertemperatur zwischen 55 °C und 85 °C oder das kalte Wasser zwischen 8 °C und 29 °C variiert, beträgt die Temperaturänderung des Auslasswassers ± 2 °C.
 Der Einfluss des Wasserdruckes auf die Auslaßtemperatur (siehe Abb.1)
 Durchflußrate (siehe Abb.1)
 Anwendbarer Standard: CSAB125-88, ASSE 1016, EN1111, AS4032.1, AS4032.2


UK REP (importer)
 Company: OBERO INTERNATIONAL LTD
 Contact: M. Tan
 Email: Contact@obero.com
 Address: Unit 1, Kest Park Commerce Way, Trafford Park, Manchester, England, M17 1HW

EC REP (importer)
 Firma: LIAH INTERNATIONAL GMBH
 Kontakt: Heri L.
 Email: Vertrieb@liah-international.de
 Adresse: Mollath-Schiller-Strasse 30, 12526 Berlin, Germany

Manufacturer: SHENZHEN RBU TECHNOLOGY GROUP CO., LTD
 Address: 9 Tengfei Road, Longping Sub-District, Longping District, Shenzhen, China


Distributor: VIGOR RECREATION LIMITED
 Address: Office 014 58 Peregrine Road, Iford, England, IG6 3SE

For more information please contact us at: support@uten.com

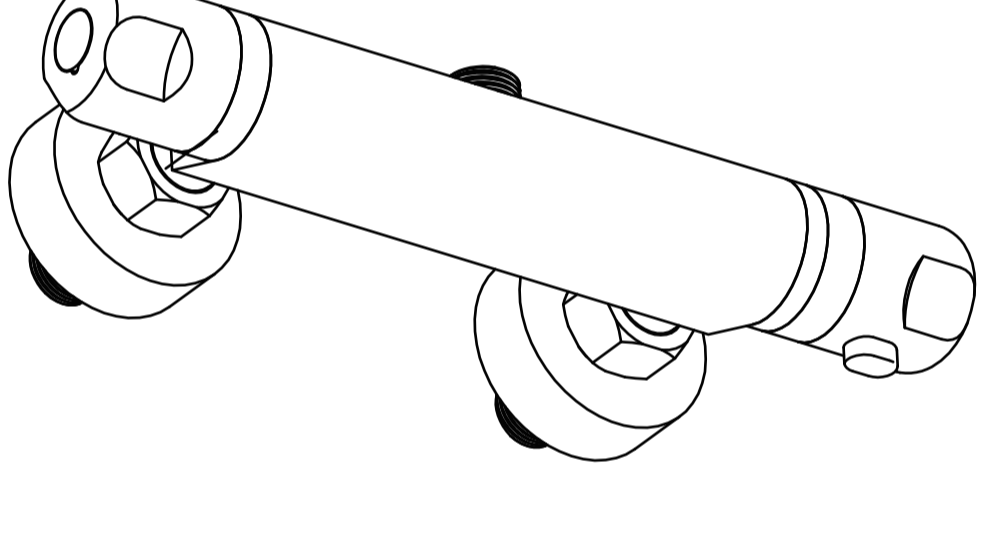


MADE IN CHINA

IT

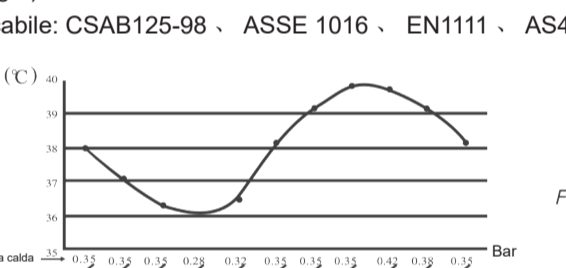
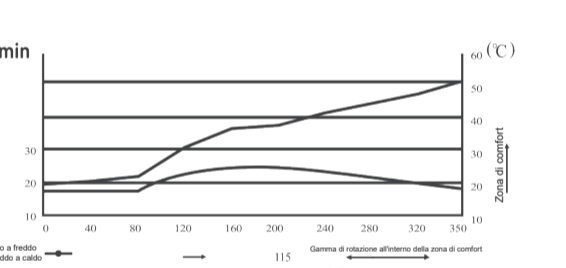
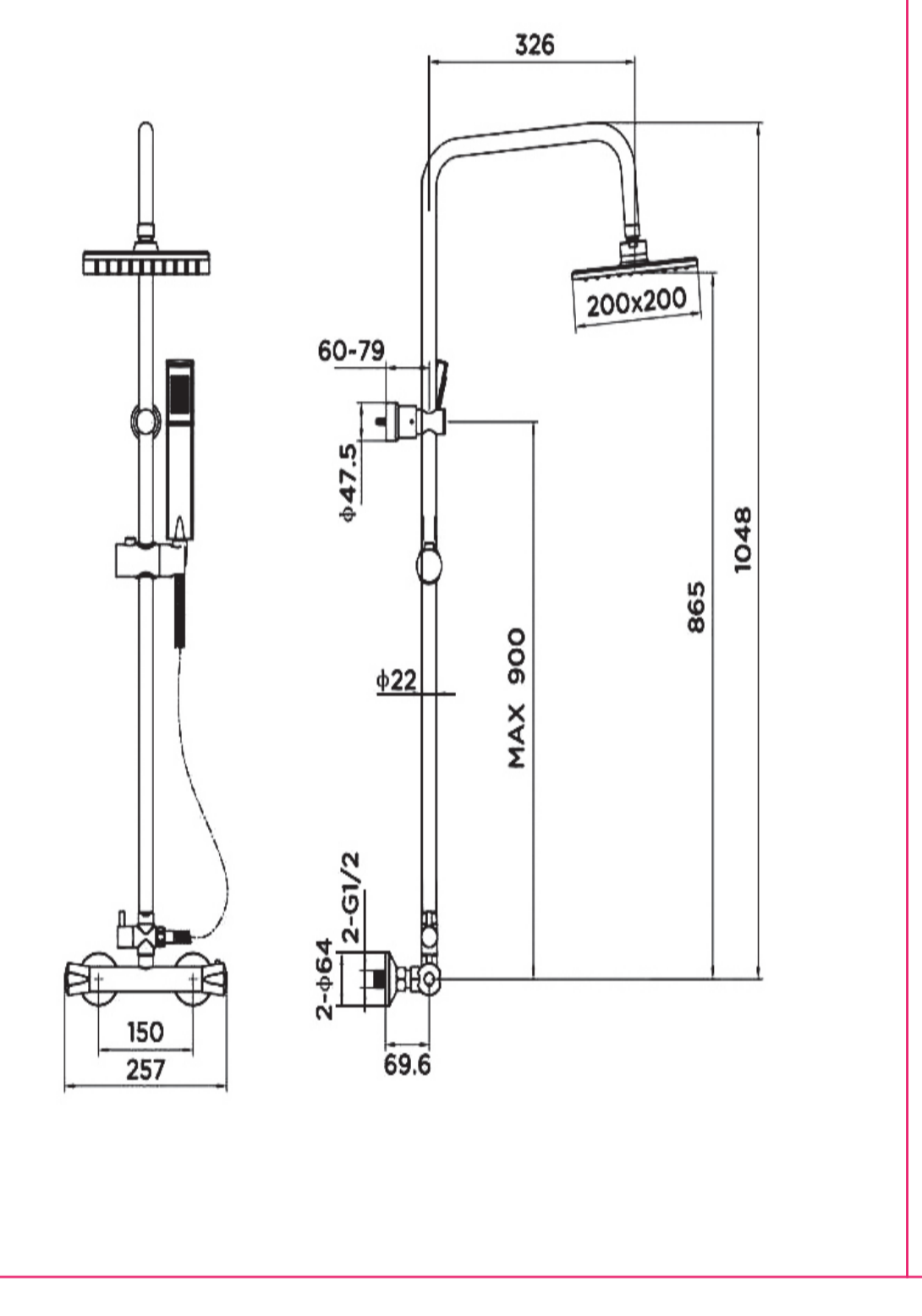
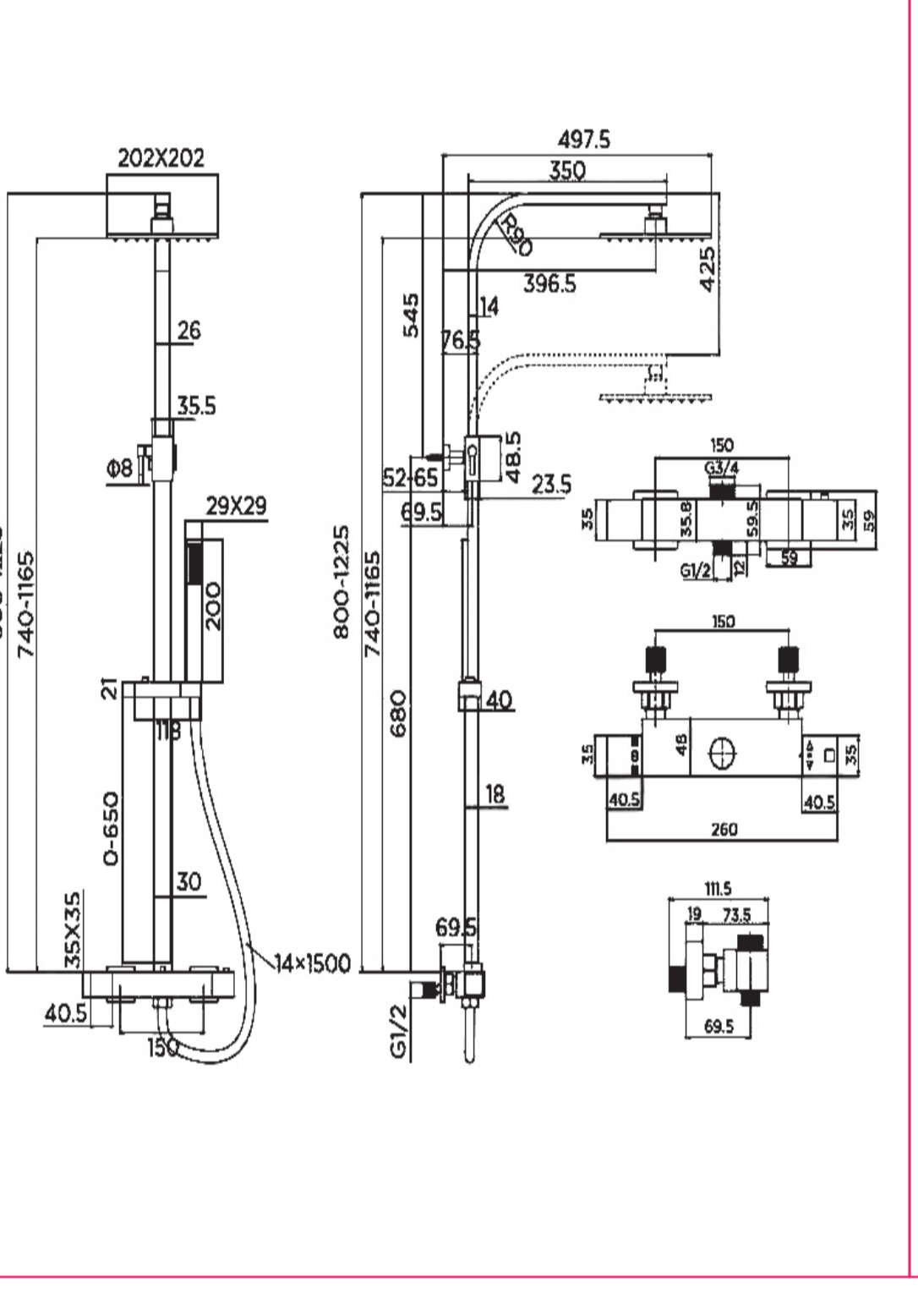
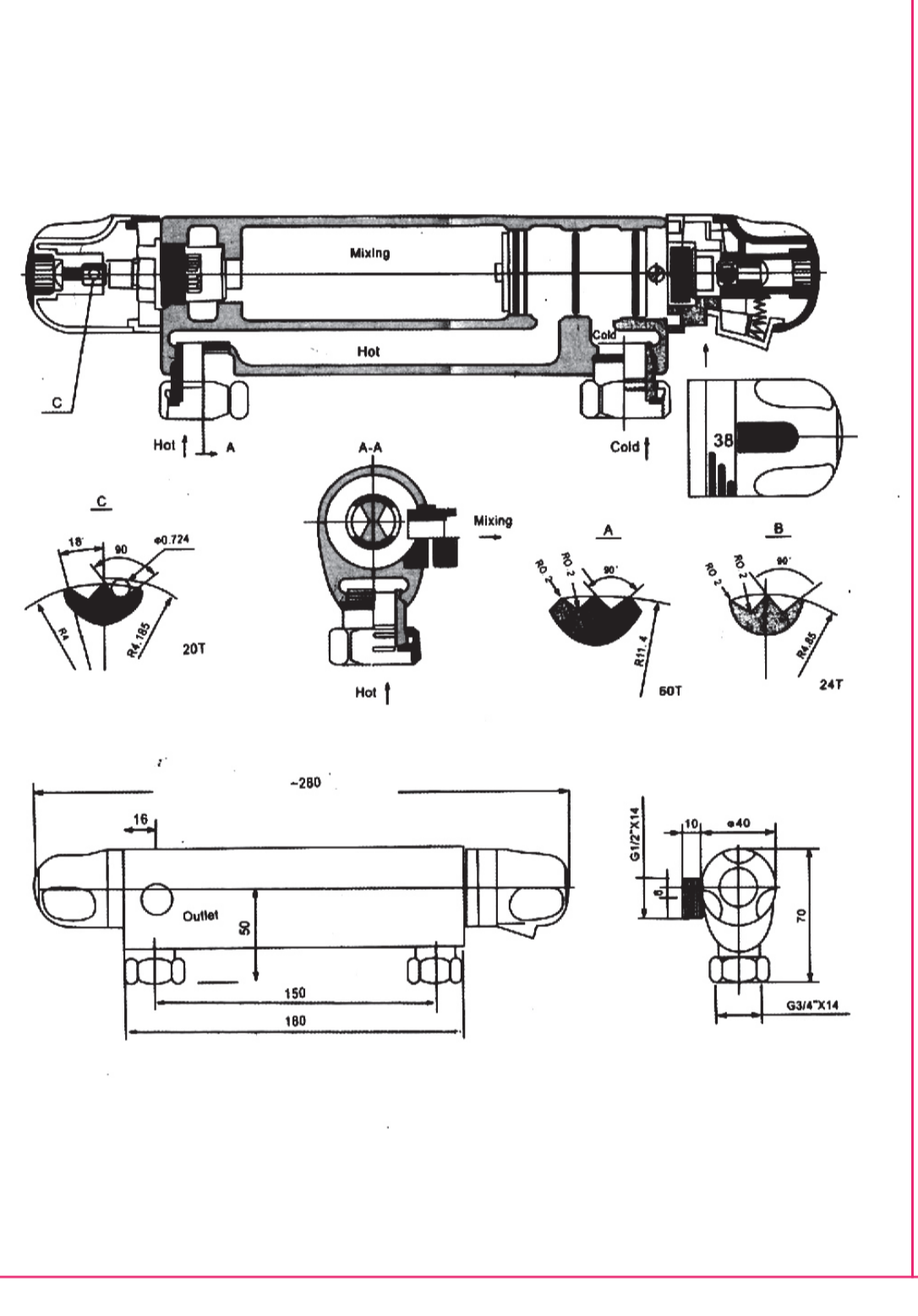



Istruzioni per l'uso dell'articolo principale a temperatura costante



Numero di modello: AL-812X

Pressione consigliata: 0,1-0,5 MPa
 Temperatura dell'acqua fredda: 8-29 °C
 Temperatura dell'acqua calda: 55-85 °C
 Intervallo di temperatura dell'acqua in uscita: 20-50 °C
 Fermata di sicurezza: 38 °C
 Test di mancata fornitura di acqua fredda entro 5 secondi dal guasto di alimentazione di acqua fredda: Portata di uscita 5200 ml (se portata di uscita 2200 ml, temperatura di uscita 42 °C) portata di uscita 300 ml, entro 30 secondi.
 Temperatura di uscita Sensibilità di allineamento automatico:
 Quando la temperatura dell'acqua in ingresso è costante e la pressione varia del 20%, la variazione della temperatura dell'acqua in uscita sarà di ± 2 °C.
 Quando la pressione dell'acqua in ingresso è costante e la temperatura dell'acqua calda varia da 55 °C a 85 °C o dell'acqua fredda da 8 °C a 29 °C, la variazione della temperatura dell'acqua in ingresso sarà ± 2 °C.
 L'influenza della pressione di alimentazione dell'acqua sulla temperatura del deflusso (vedere Fig.1)
 Portata (vedi Fig.1)
 Standard applicabile: CSAB125-88, ASSE 1016, EN1111, AS4032.1, AS4032.2


UK REP (importer)
 Company: OBERO INTERNATIONAL LTD
 Contact: M. Tan
 Email: Contact@obero.com
 Address: Unit 1, Kest Park Commerce Way, Trafford Park, Manchester, England, M17 1HW

EC REP (importer)
 Firma: LIAH INTERNATIONAL GMBH
 Kontakt: Heri L.
 Email: Vertrieb@liah-international.de
 Adresse: Mollath-Schiller-Strasse 30, 12526 Berlin, Germany

Manufacturer: SHENZHEN RBU TECHNOLOGY GROUP CO., LTD
 Address: 9 Tengfei Road, Longping Sub-District, Longping District, Shenzhen, China


Distributor: VIGOR RECREATION LIMITED
 Address: Office 014 58 Peregrine Road, Iford, England, IG6 3SE

For more information please contact us at: support@uten.com

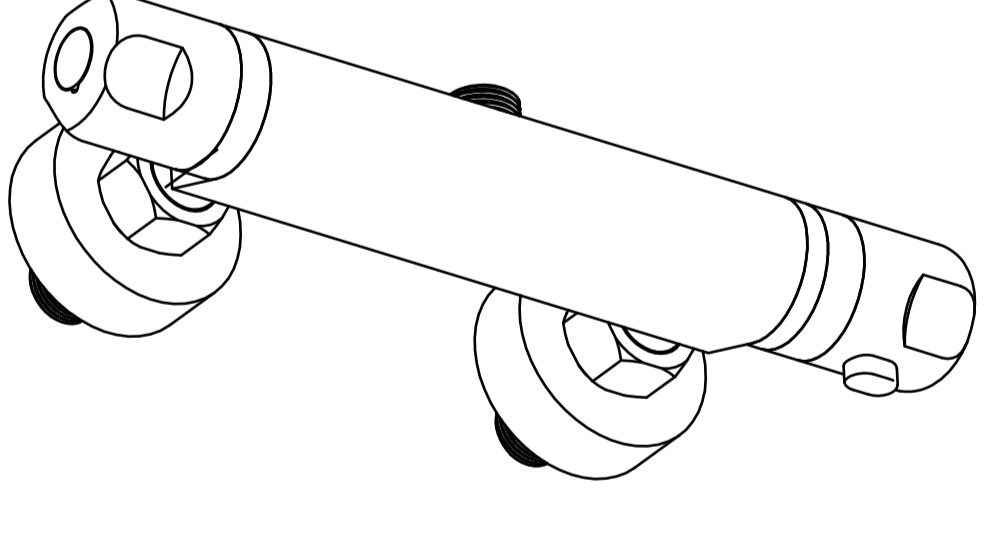


MADE IN CHINA

FR

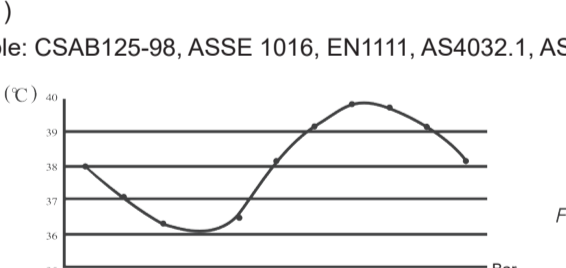
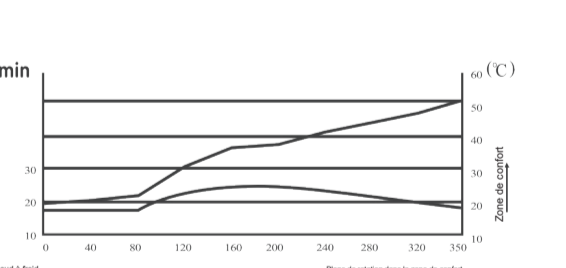
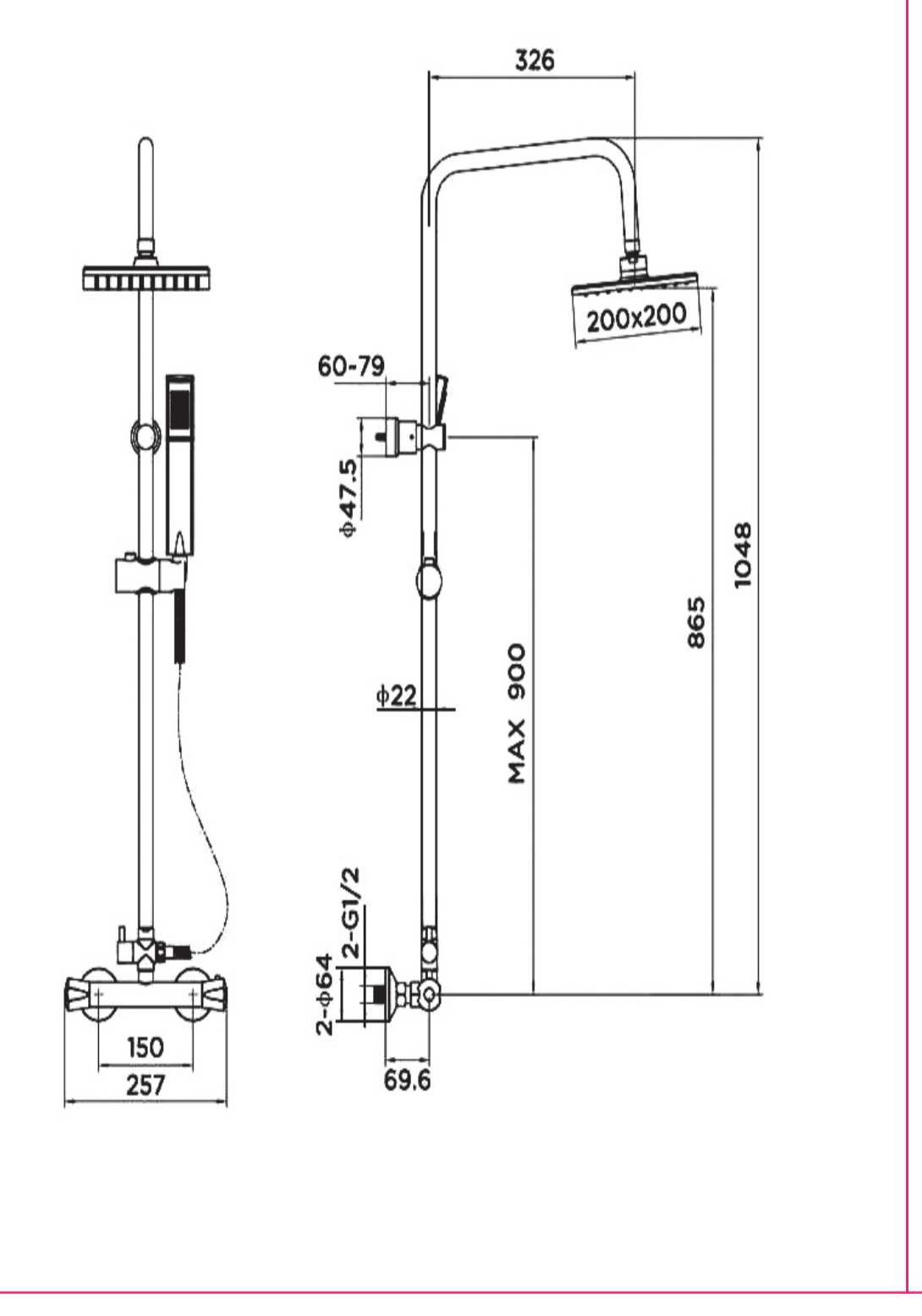
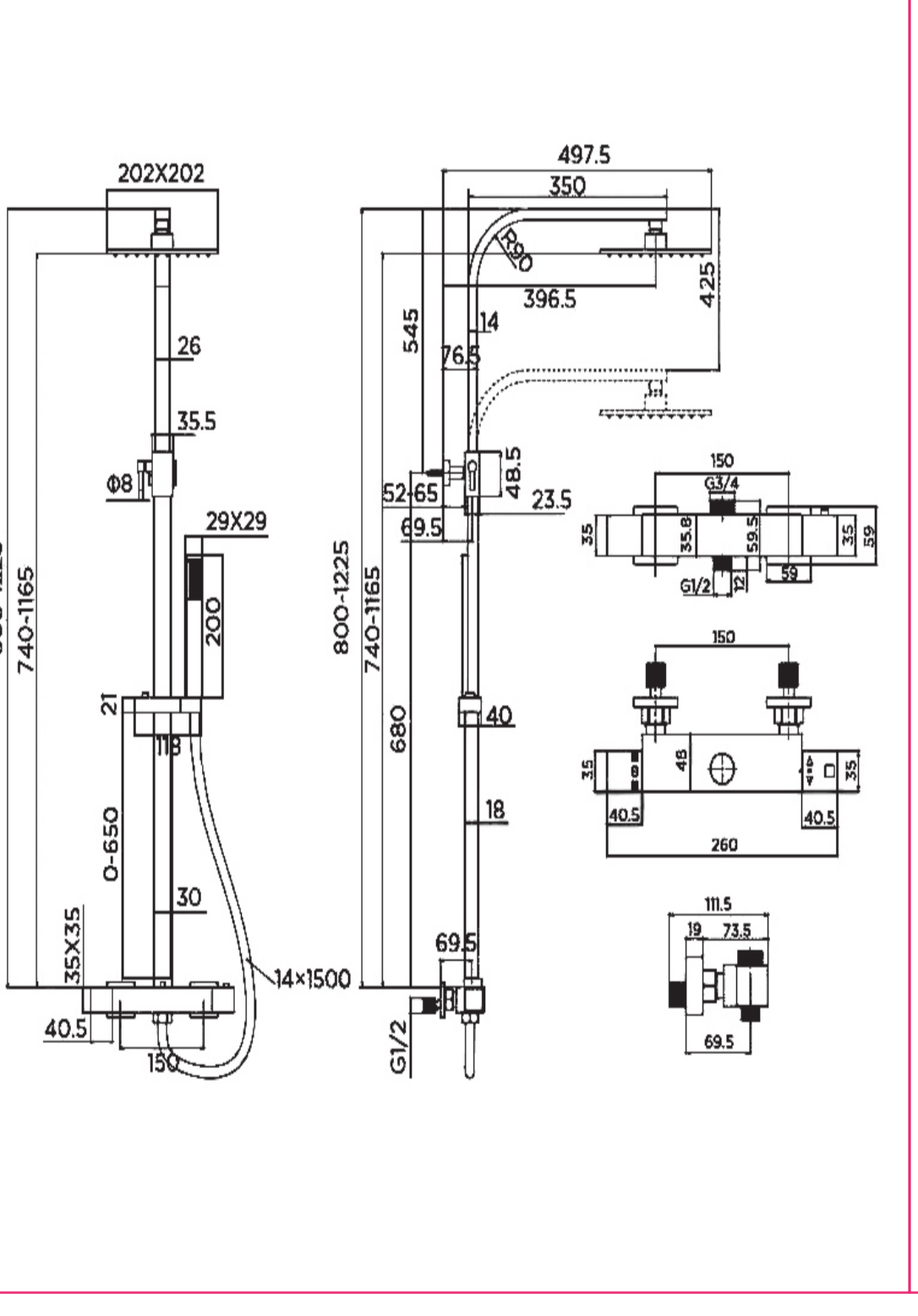
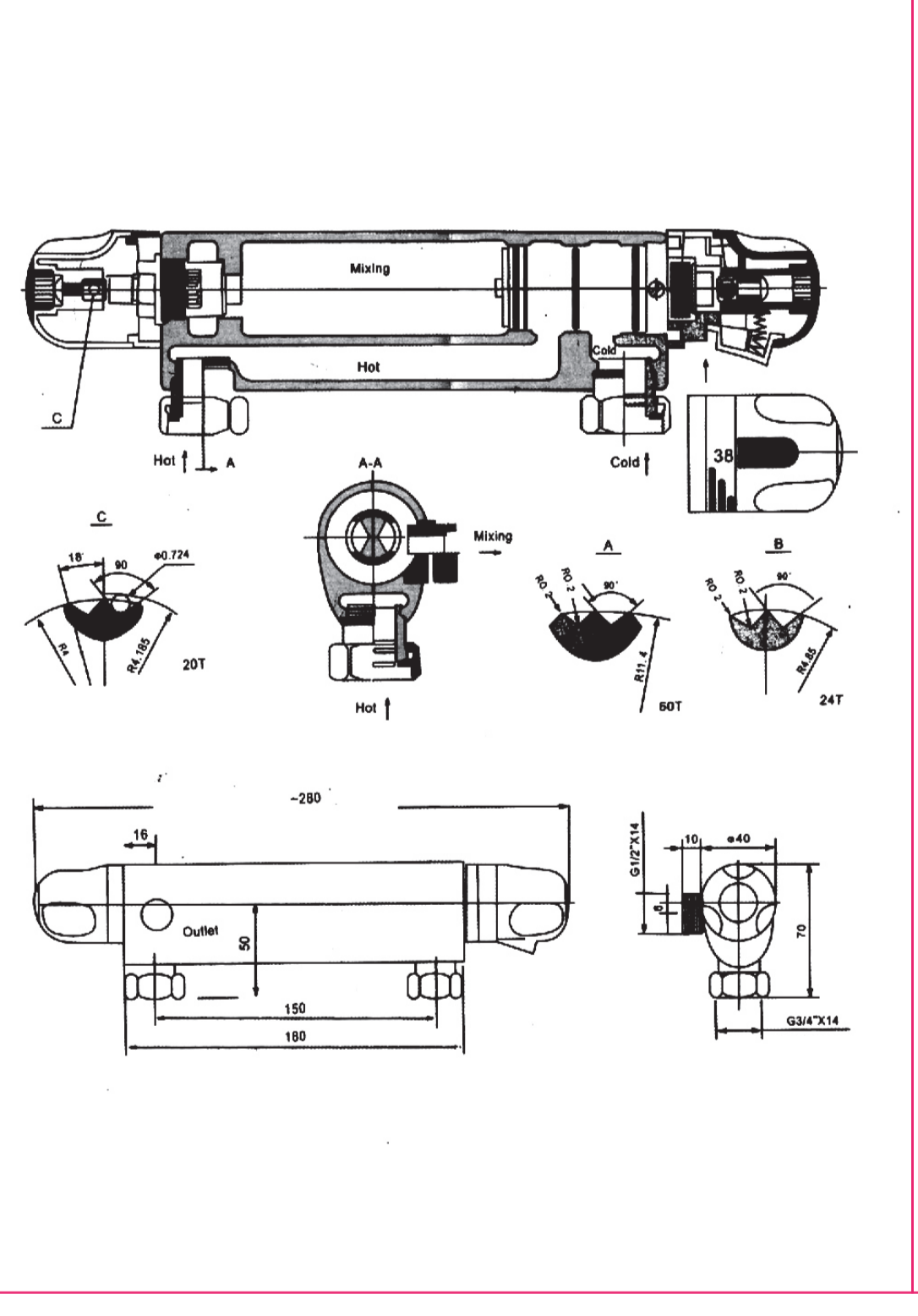


Instruction de l'article principal à température constante pour l'utilisation



Número de modelo: AL-812X

Pression recommandée: 0,1-0,5MPa
 Température d'alimentation en eau froide: 8-29 °C
 Température d'alimentation en eau chaude: 55-85 °C
 Plage de température de l'eau de sortie: 20-50 °C
 Arrêt de sécurité: 38 °C
 Test de panne d'alimentation en eau froide dans les 5 secondes suivant une panne d'alimentation en eau froide: Débit de sortie 5200 ml (si le débit de sortie est 2200 ml, température de sortie 42 °C) le débit de sortie 300 ml, dans les 30 secondes.
 Température de sortie Sensibilité d'auto-alignement:
 Lorsque la température de l'eau d'entrée est constante et que la pression varie de 20%, le changement de température de l'eau de sortie sera de ± 2 °C.
 Lorsque la pression de l'eau d'entrée est constante et que la température de l'eau chaude varie de 55 °C à 85 °C ou de l'eau froide de 8 °C à 29 °C, le changement de température de l'eau de sortie sera ± 2 °C.
 L'influence de la pression d'alimentation en eau sur la température de sortie (voir Fig.1)
 Débit (voir Fig.1)
 Norme applicable: CSAB125-88, ASSE 1016, EN1111, AS4032.1, AS4032.2



UK REP (importer)
 Company: OBERO INTERNATIONAL LTD
 Contact: M. Tan
 Email: Contact@obero.com
 Address: Unit 1, Kest Park Commerce Way, Trafford Park, Manchester, England, M17 1HW

EC REP (importer)
 Firma: LIAH INTERNATIONAL GMBH
 Kontakt: Heri L.
 Email: Vertrieb@liah-international.de
 Adresse: Mollath-Schiller-Strasse 30, 12526 Berlin, Germany

Manufacturer: SHENZHEN RBU TECHNOLOGY GROUP CO., LTD
 Address: 9 Tengfei Road, Longping Sub-District, Longping District, Shenzhen, China


Distributor: VIGOR RECREATION LIMITED
 Address: Office 014 58 Peregrine Road, Iford, England, IG6 3SE

For more information please contact us at: support@uten.com

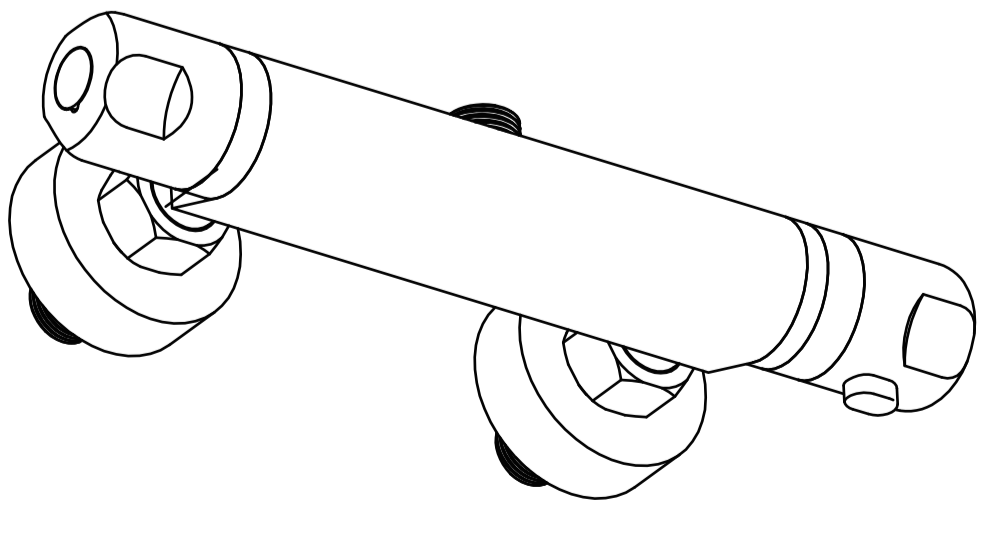


MADE IN CHINA

ES

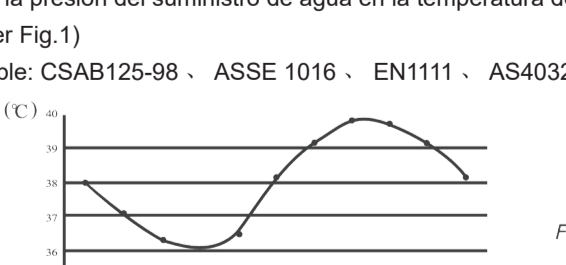
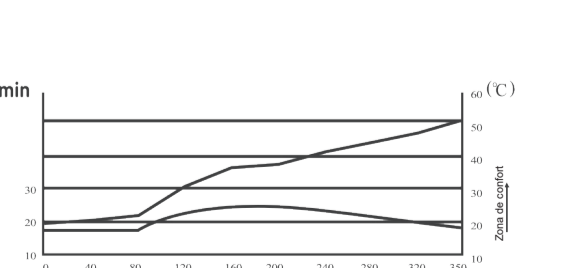
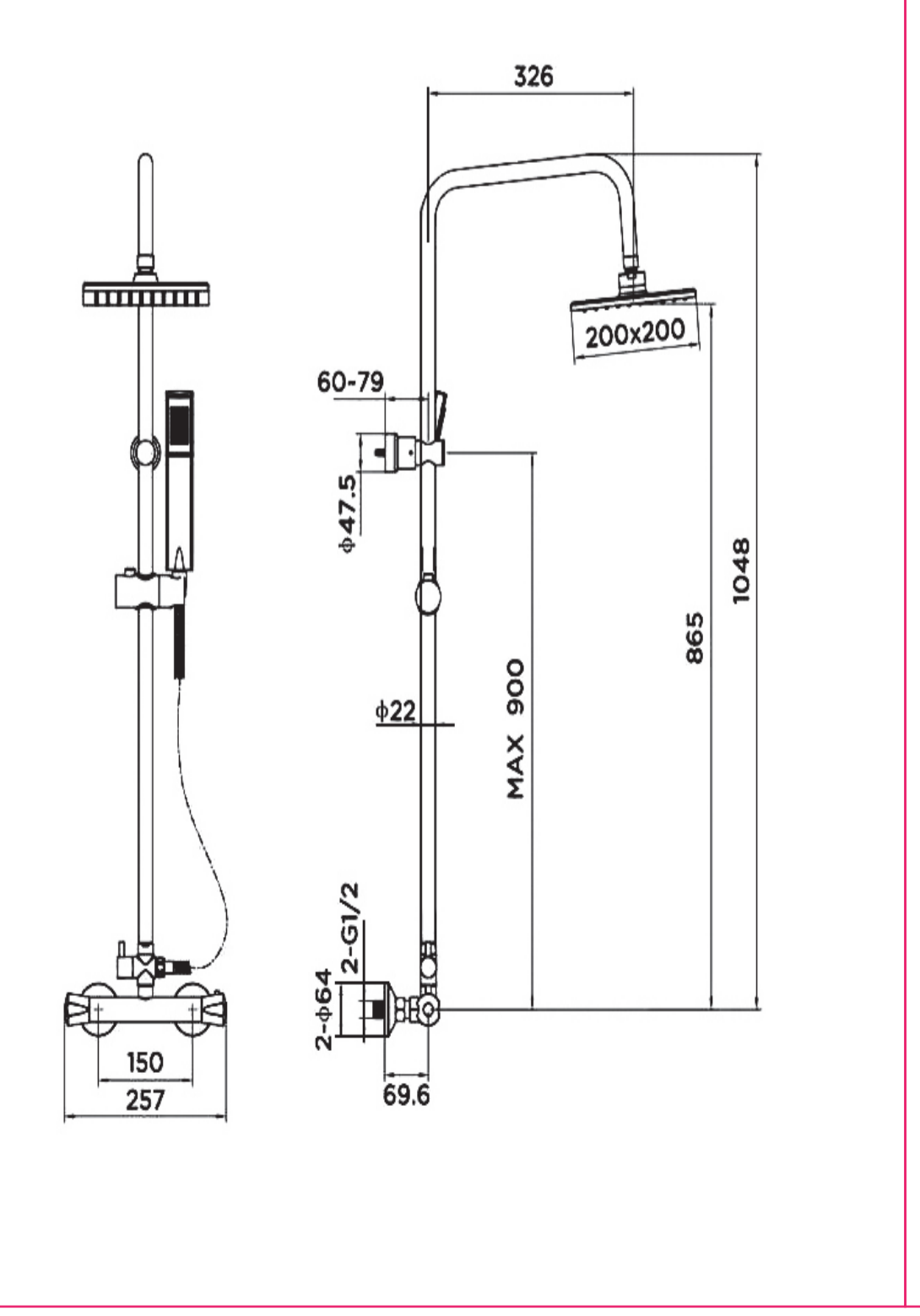
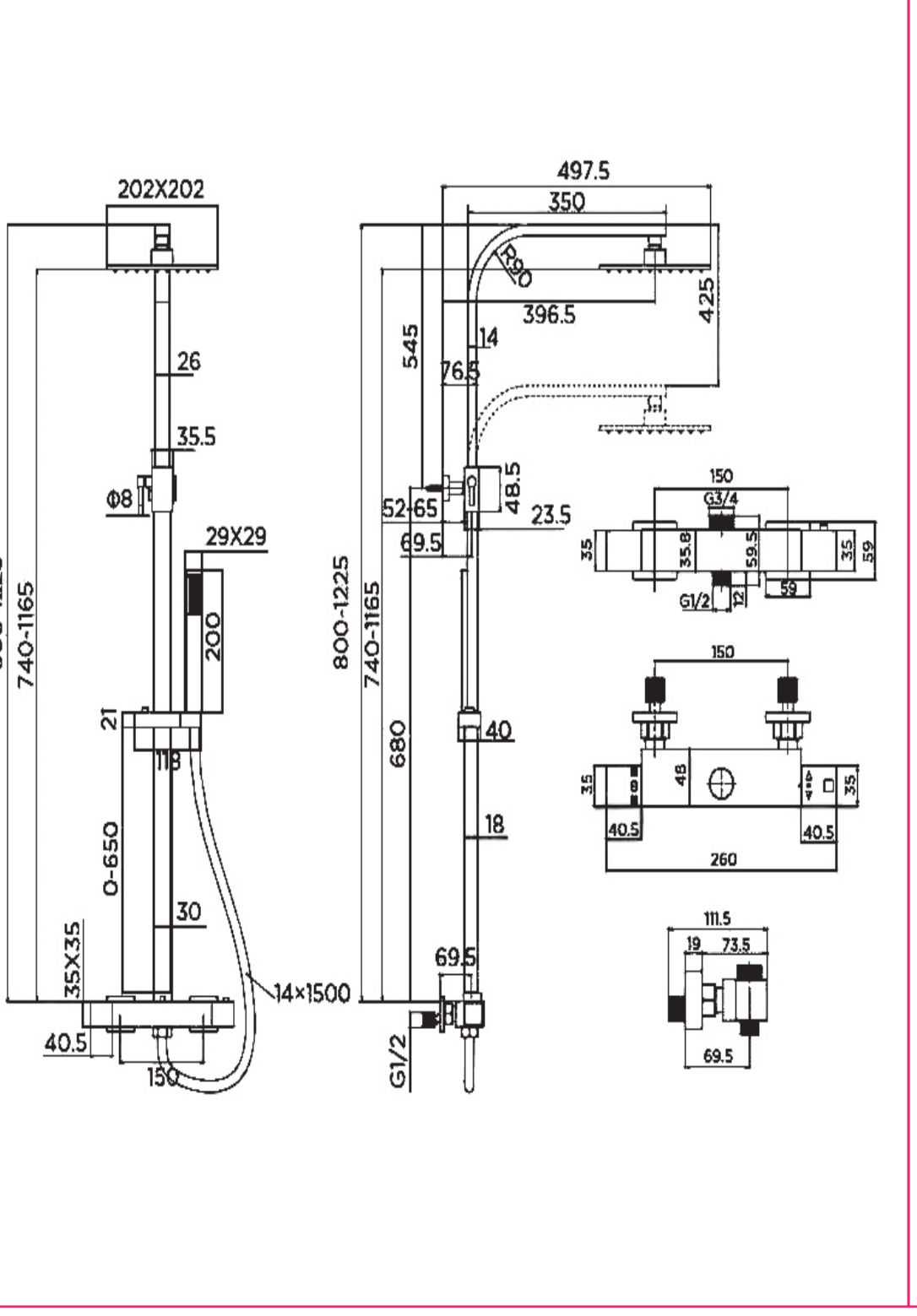
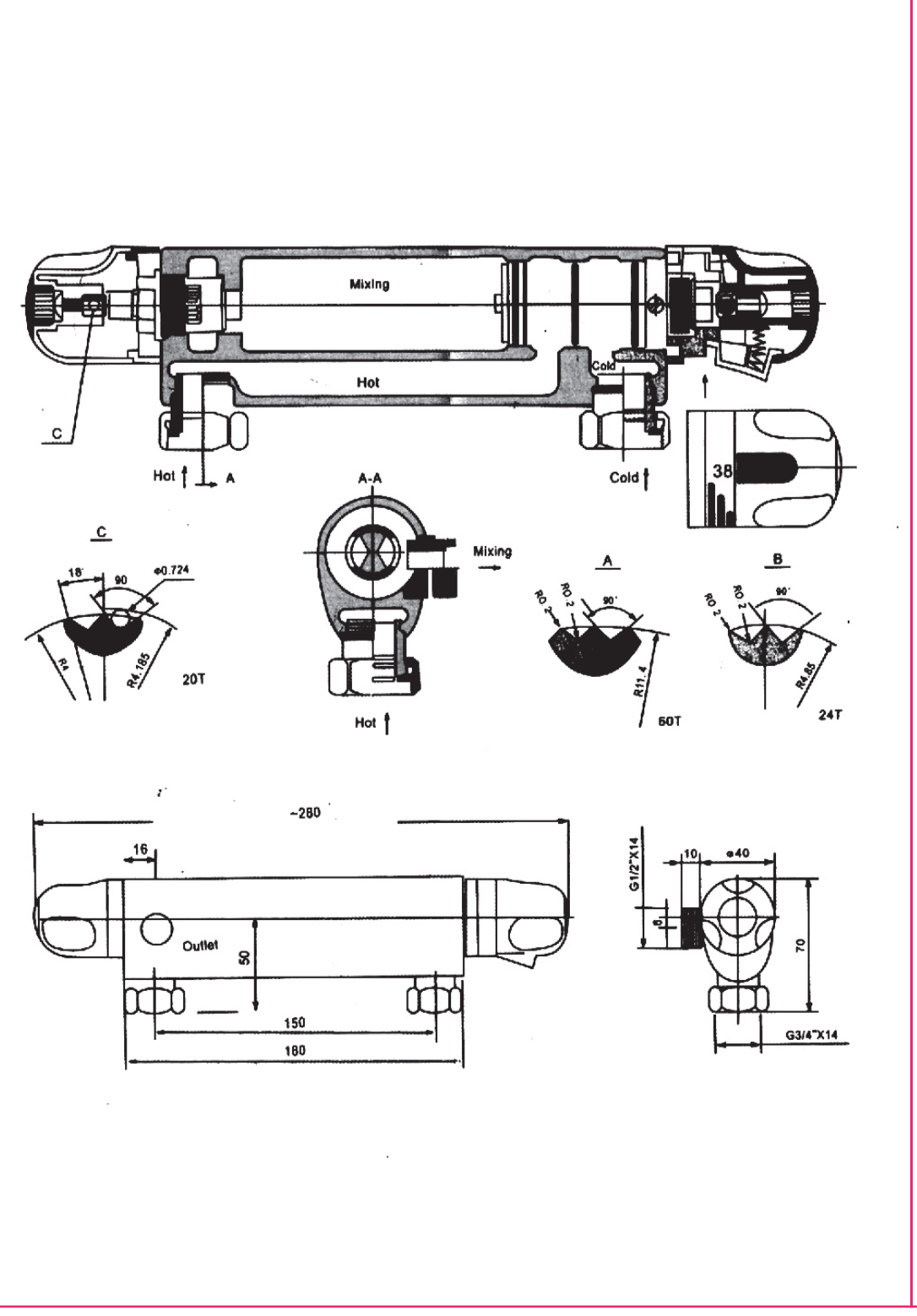


Instrucción de uso del elemento principal de temperatura constante



Número de modelo: AL-812X

Presión recomendada: 0,1-0,5MPa
 Temperatura de suministro de agua fría: 8-29 °C
 Temperatura de suministro de agua caliente: 55-85 °C
 Rango de temperatura del agua de salida: 20-50 °C
 Parada de seguridad: 38 °C
 Prueba de falta del suministro de agua fría dentro de los 5 segundos de falta del suministro de agua fría: Tasa de salida 5200ml (si la tasa de salida es 2200ml, temperatura de salida 42 °C) la tasa de salida 300ml, dentro de 30 segundos.
 Temperatura de salida Sensibilidad de alineación automática:
 Cuando la temperatura del agua de entrada es constante y la presión varía en un 20%, el cambio de temperatura del agua de salida será de ± 2 °C.
 Cuando la presión del agua de entrada es constante y la temperatura del agua caliente varía de 55 °C a 85 °C o el agua fría de 8 °C a 29 °C, el cambio de temperatura del agua de entrada será de ± 2 °C.
 La influencia de la presión del suministro de agua en la temperatura de salida (ver Fig.1)
 Tasa de flujo (ver Fig.1)
 Especificación aplicable: CSAB125-88, ASSE 1016, EN1111, AS4032.1, AS4032.2


UK REP (importer)
 Company: OBERO INTERNATIONAL LTD
 Contact: M. Tan
 Email: Contact@obero.com
 Address: Unit 1, Kest Park Commerce Way, Trafford Park, Manchester, England, M17 1HW

EC REP (importer)
 Firma: LIAH INTERNATIONAL GMBH
 Kontakt: Heri L.
 Email: Vertrieb@liah-international.de
 Adresse: Mollath-Schiller-Strasse 30, 12526 Berlin, Germany

Manufacturer: SHENZHEN RBU TECHNOLOGY GROUP CO., LTD
 Address: 9 Tengfei Road, Longping Sub-District, Longping District, Shenzhen, China

Distributor: VIGOR RECREATION LIMITED
 Address: Office 014 58 Peregrine Road, Iford, England, IG6 3SE

For more information please contact us at: support@uten.com



MADE IN CHINA