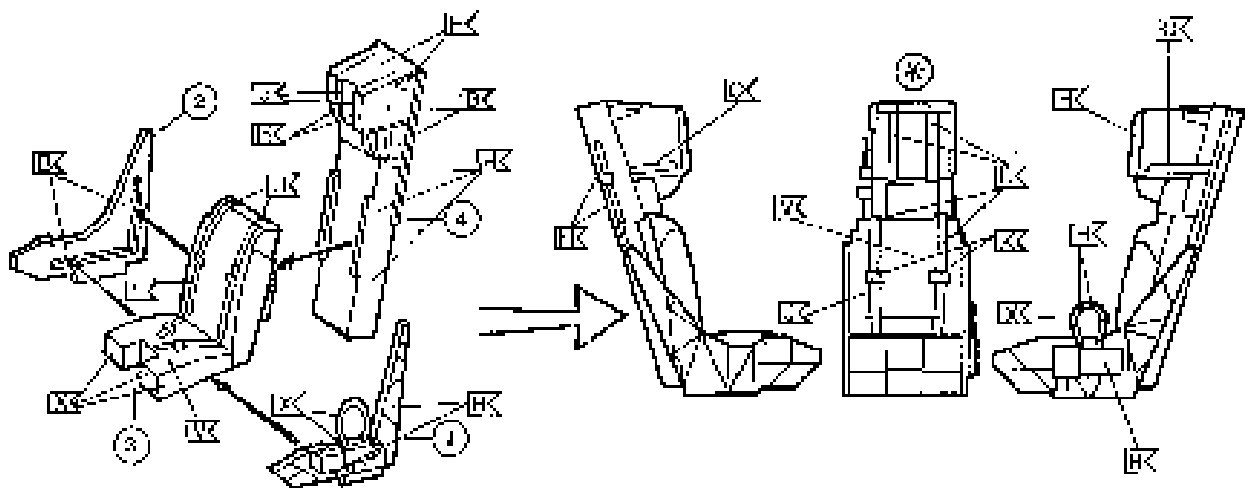
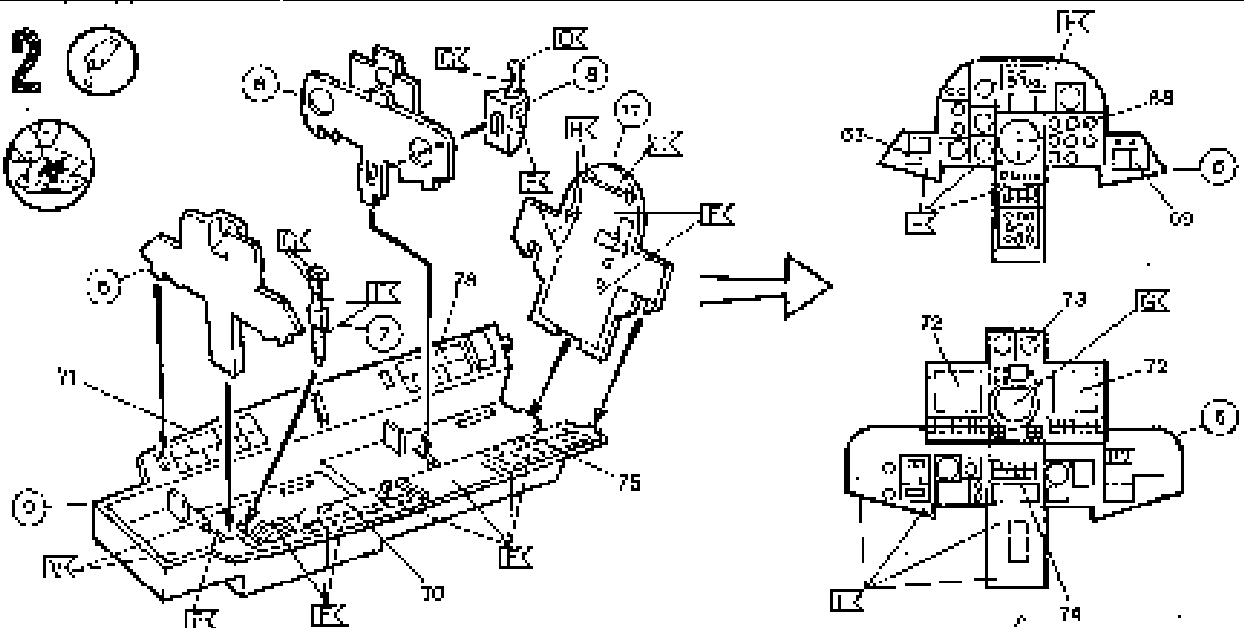
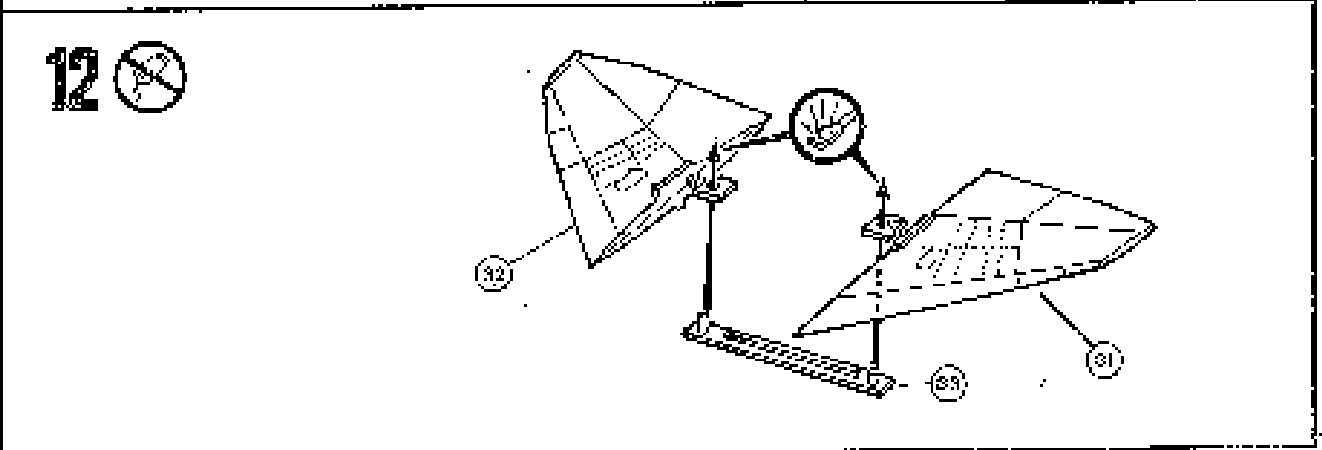
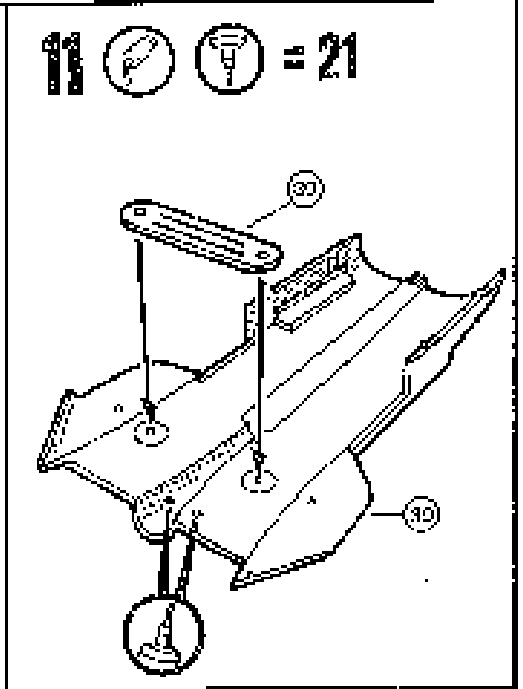
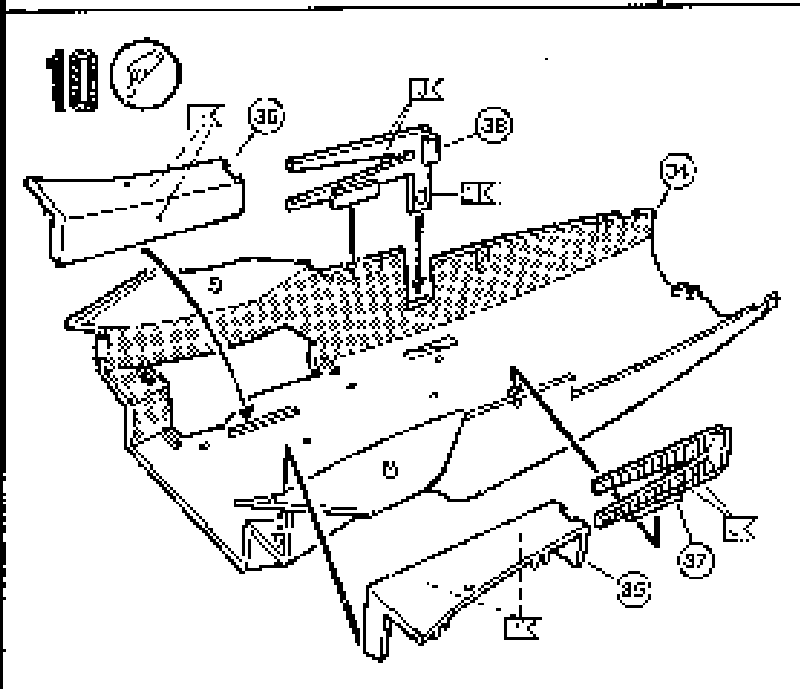
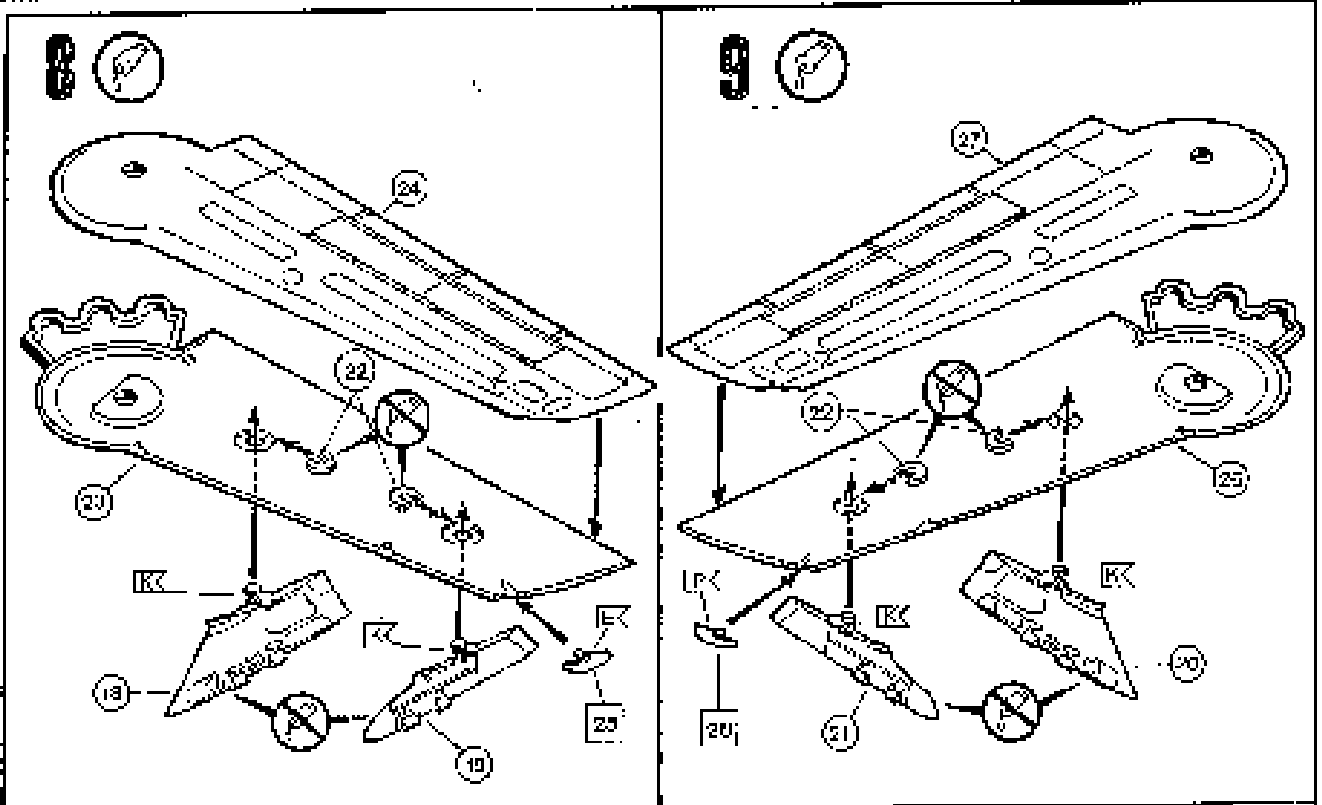


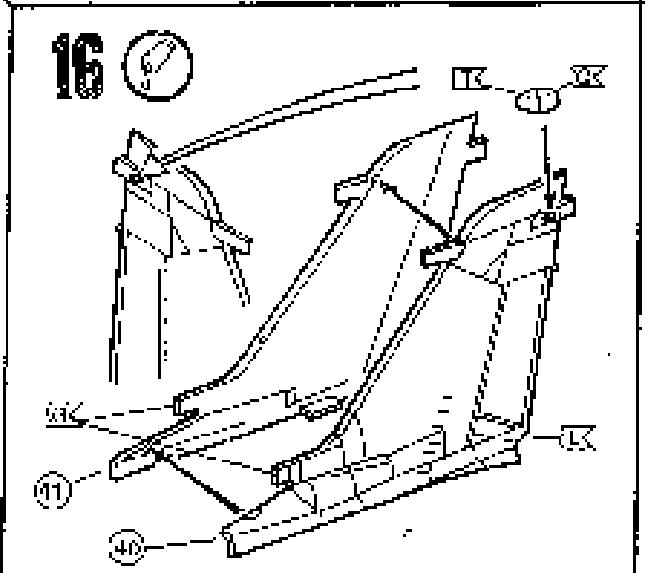
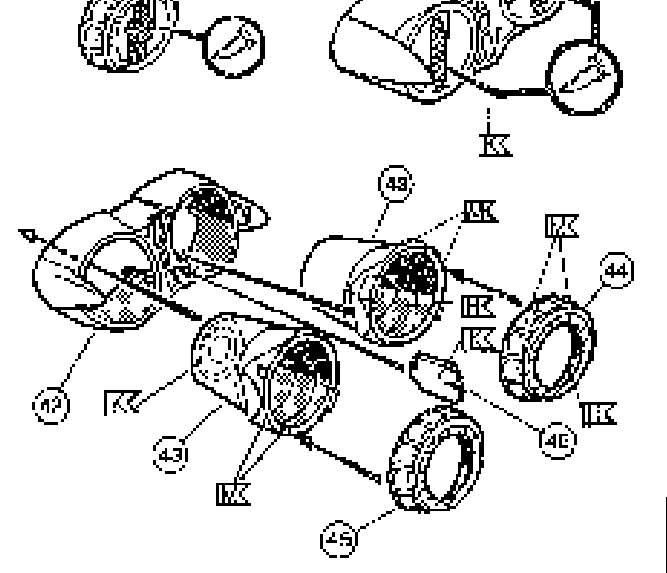
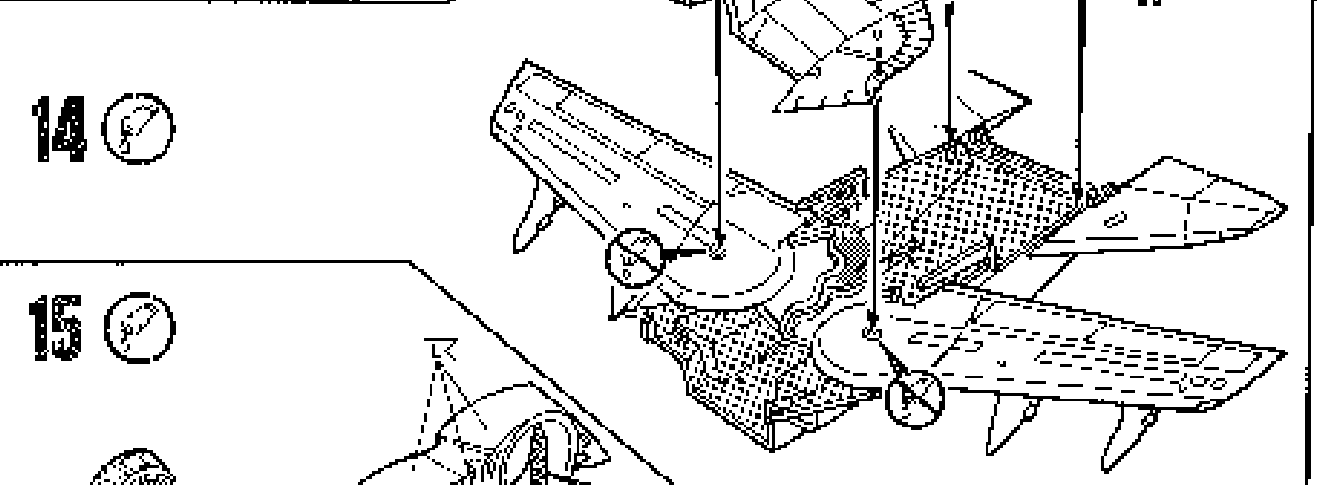
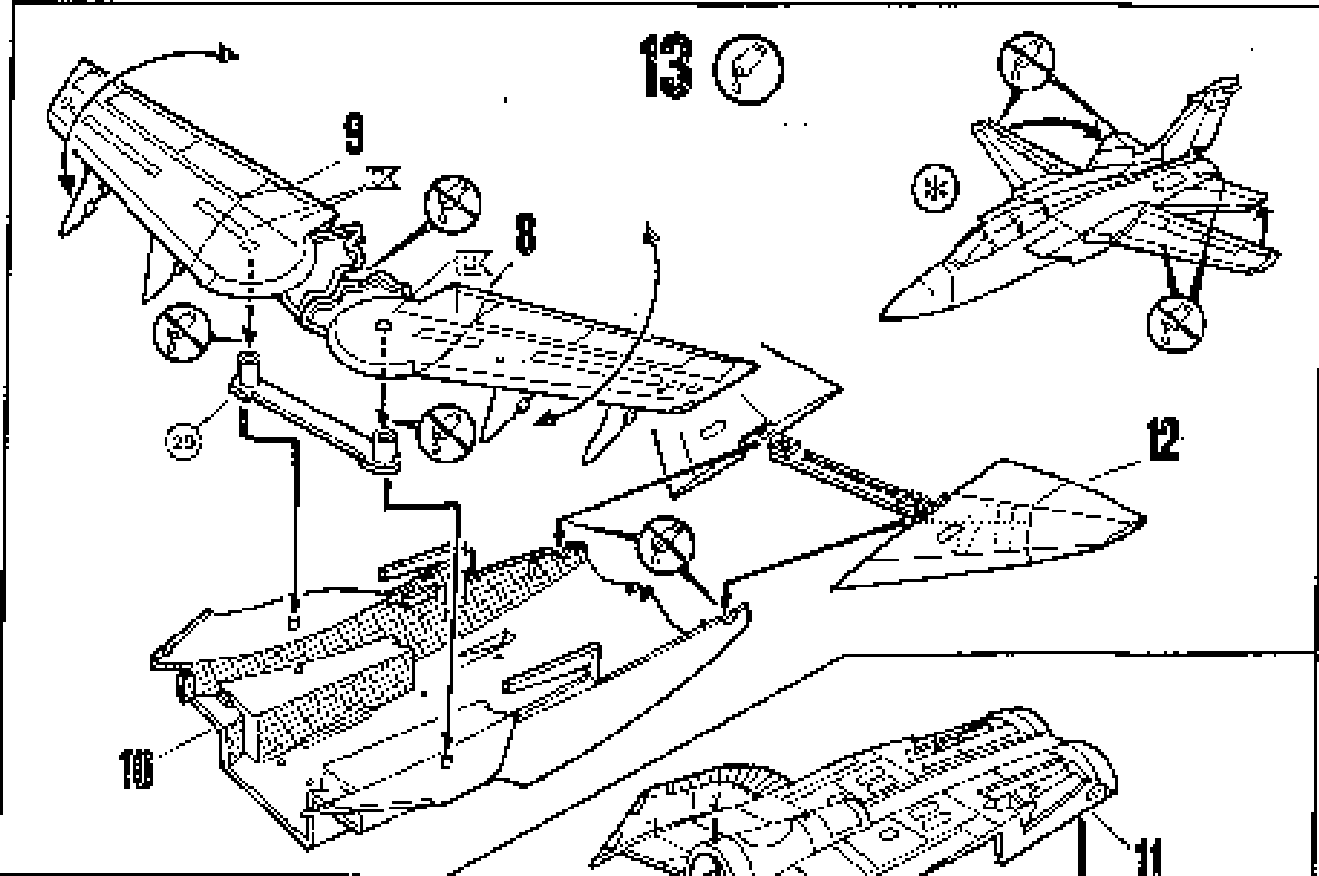
1



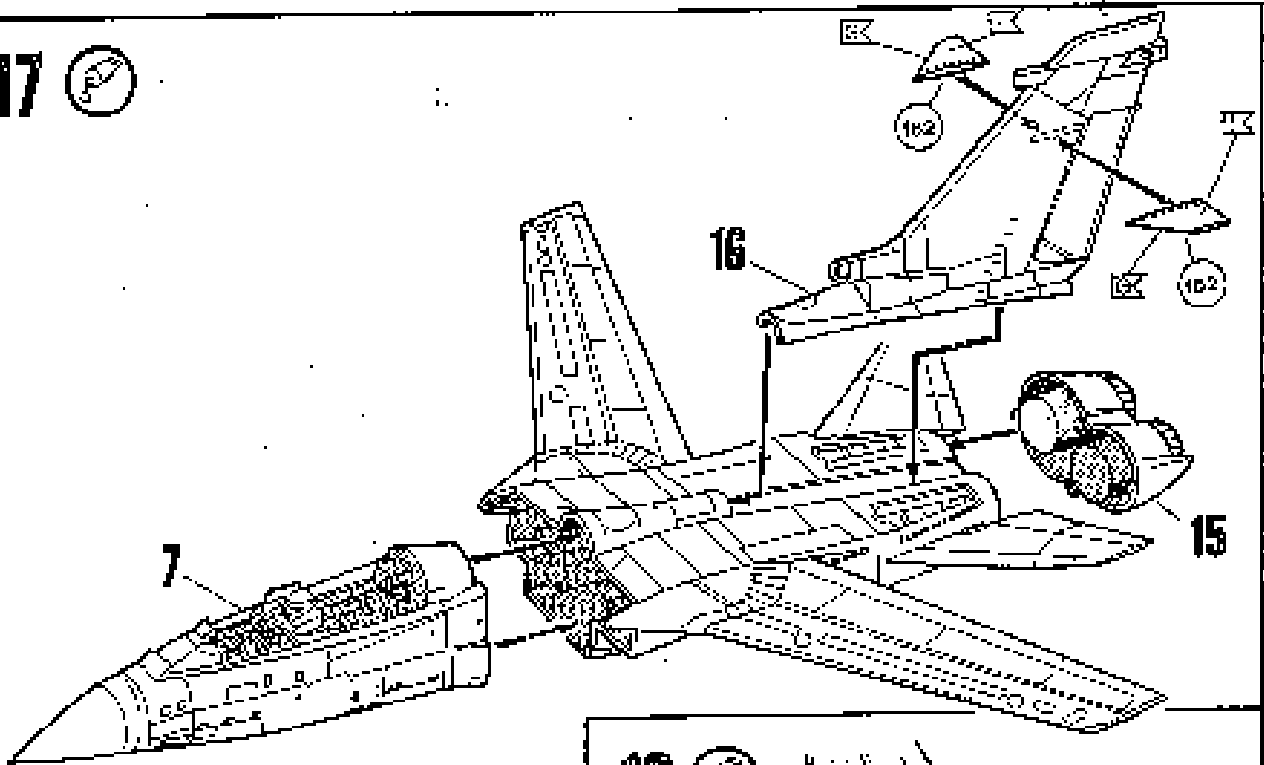
2



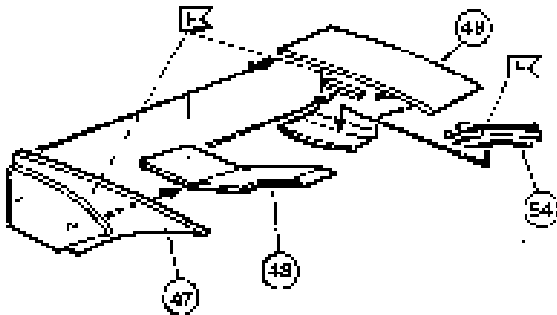




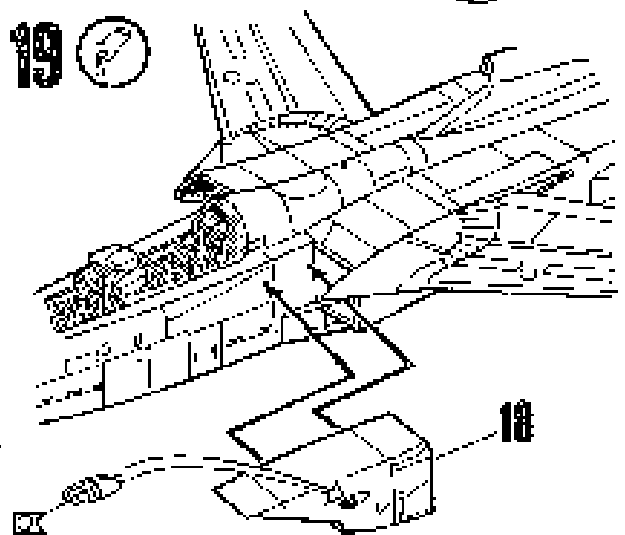
17



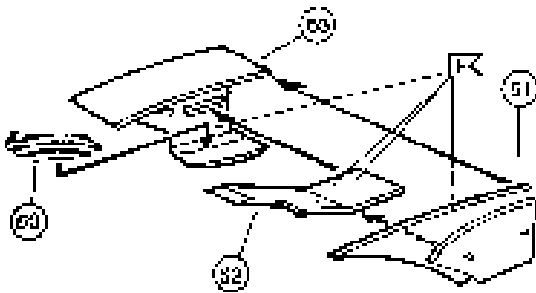
18



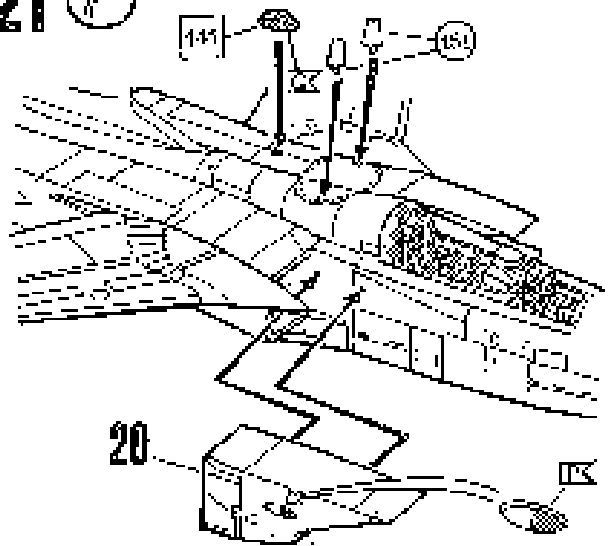
19

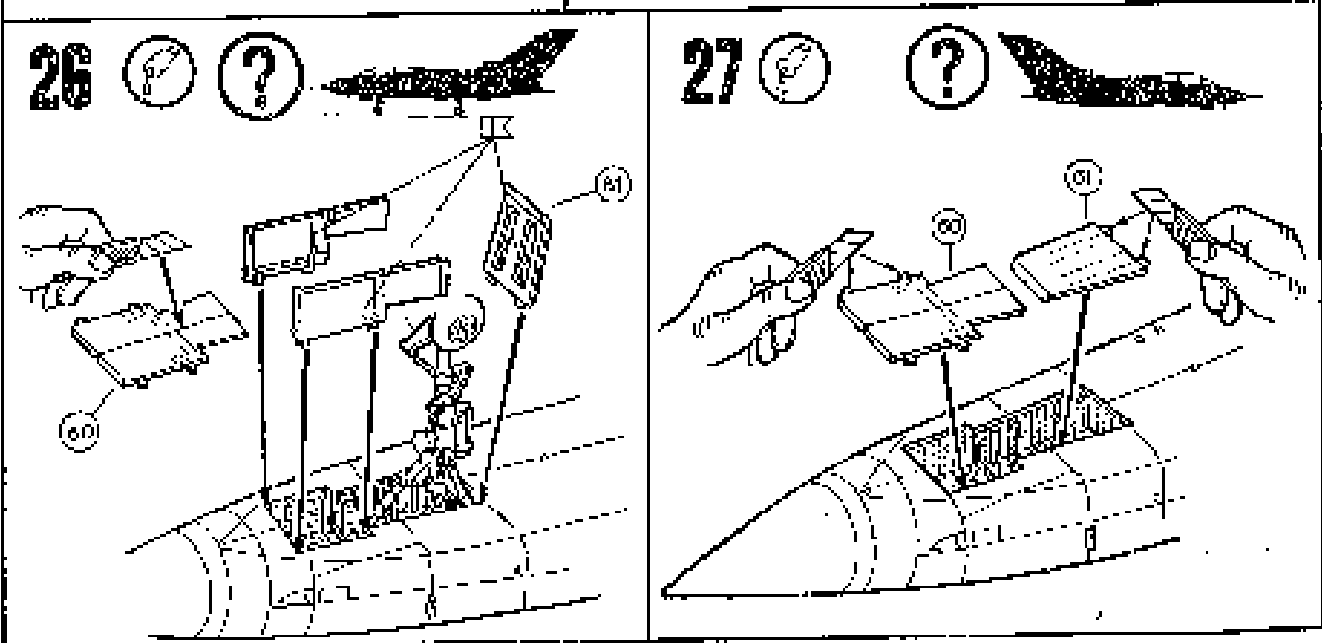
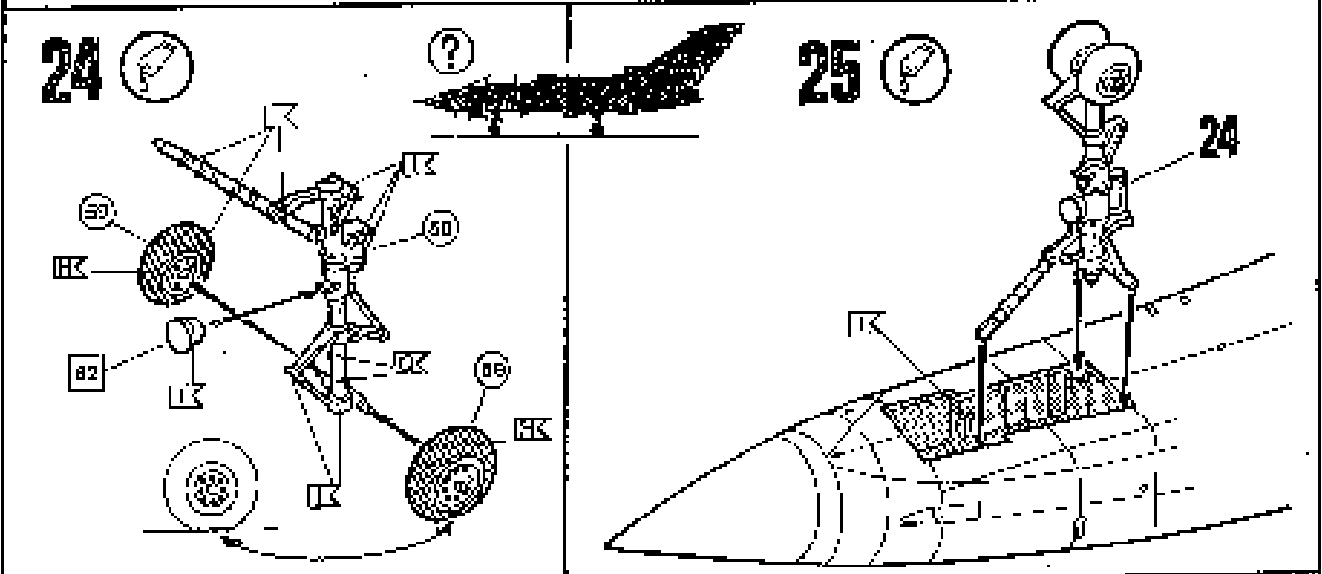
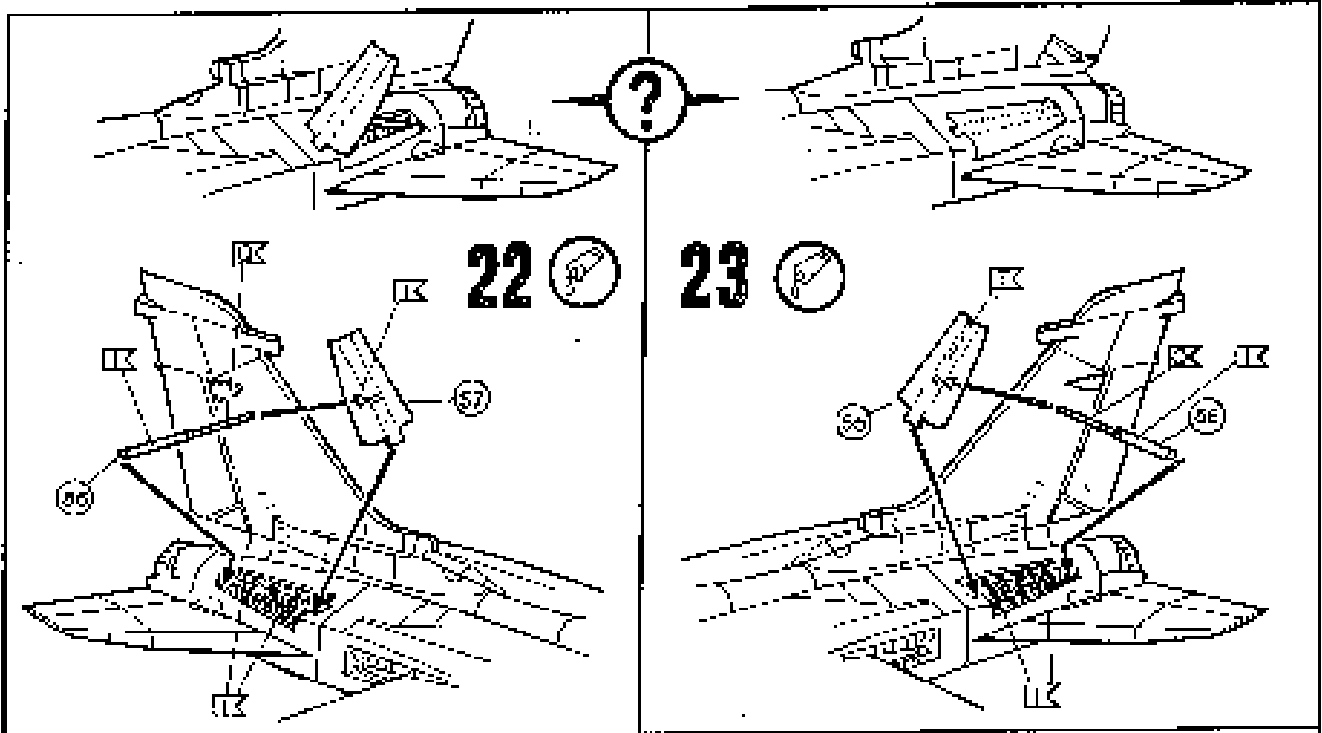


20



21

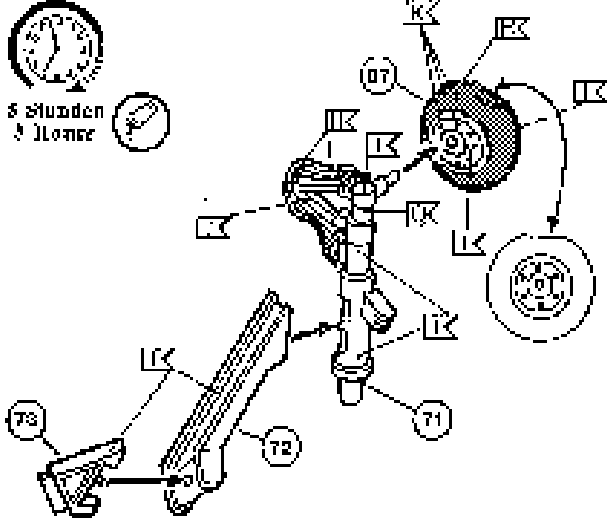




28 ?



5 Stunden
5 Hours



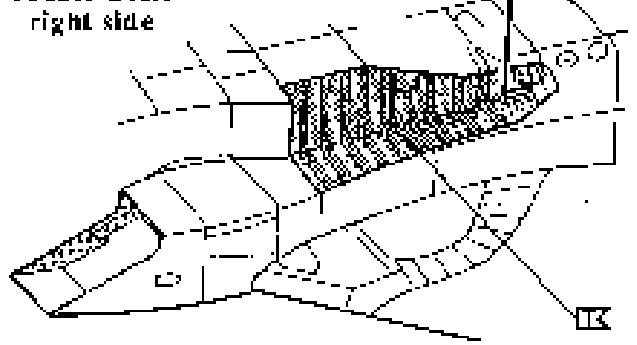
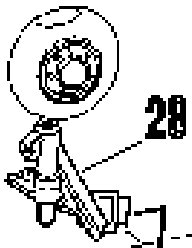
?



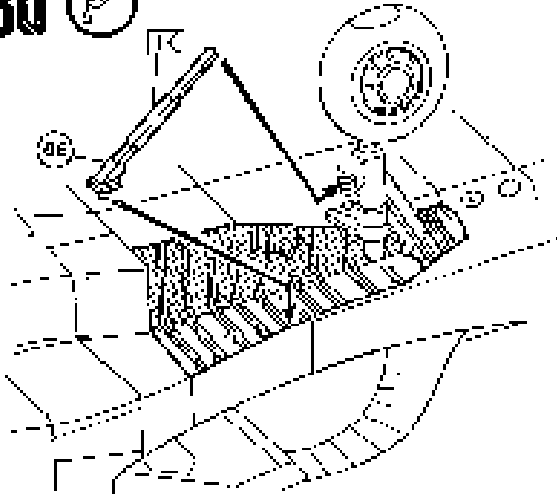
29



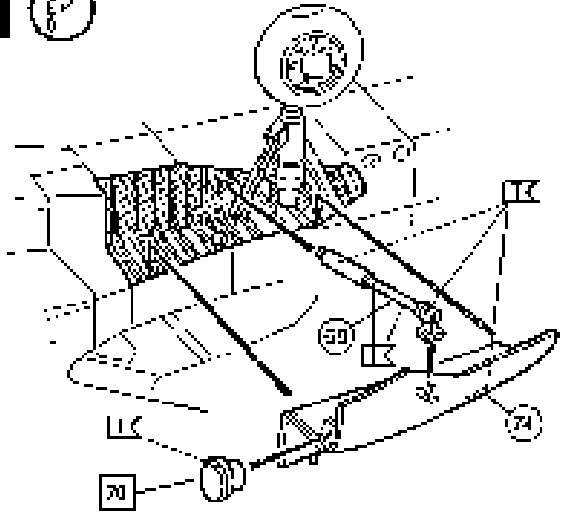
rechte Seite
right side



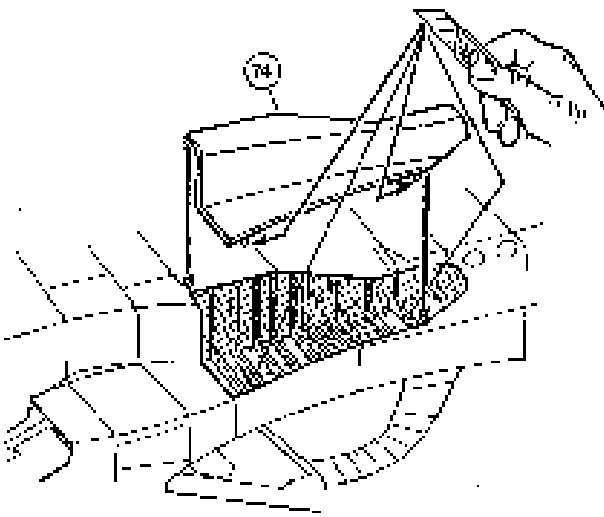
30



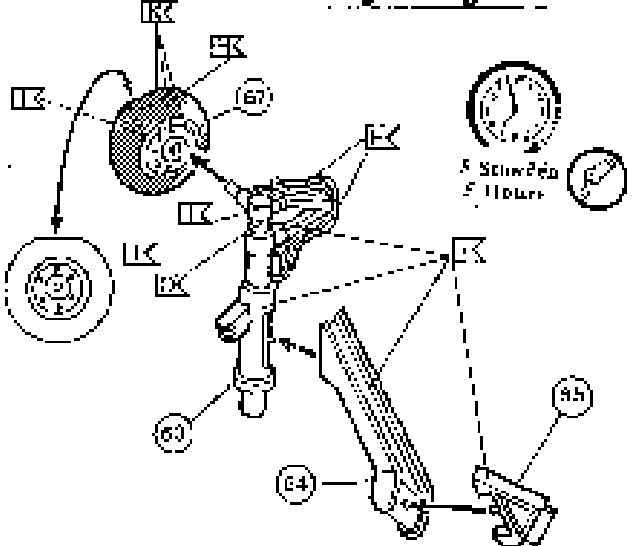
31



32 ?



33 ?

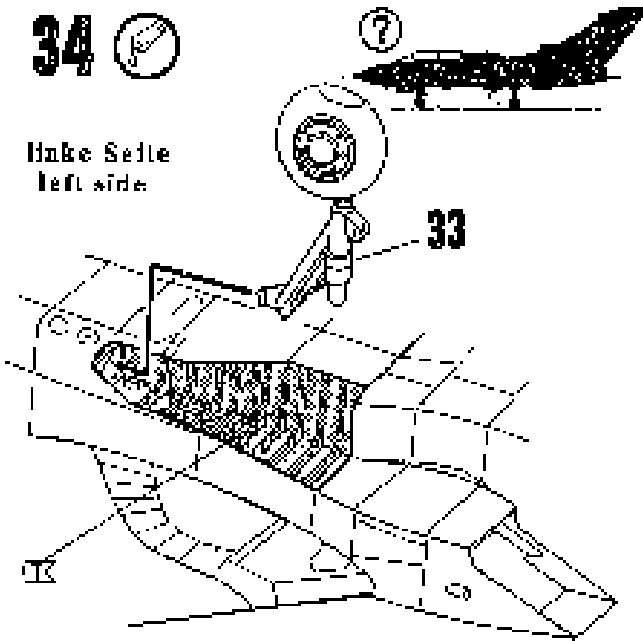


5 Stunden
5 Hours

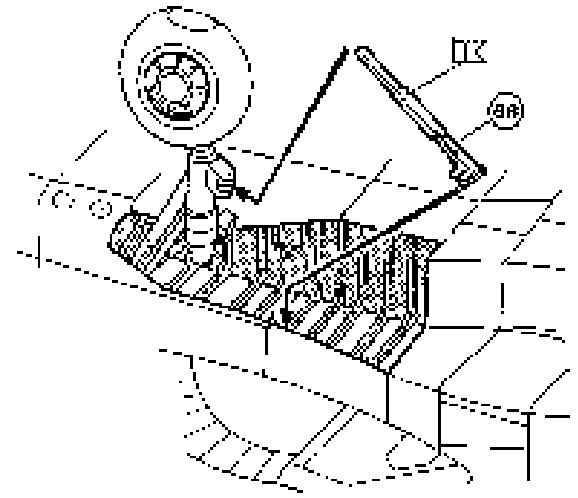


34 

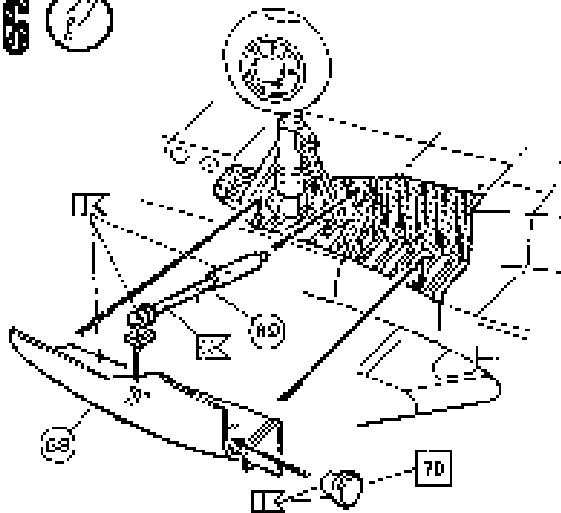
Hake Seite
left side



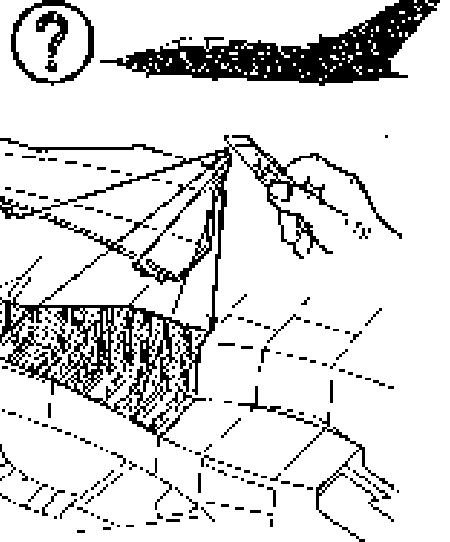
35 



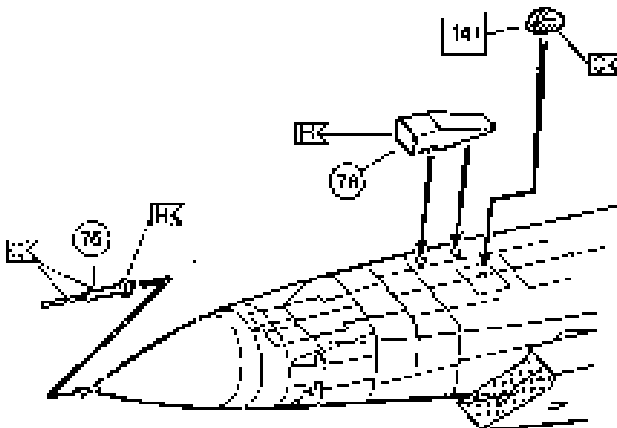
36 



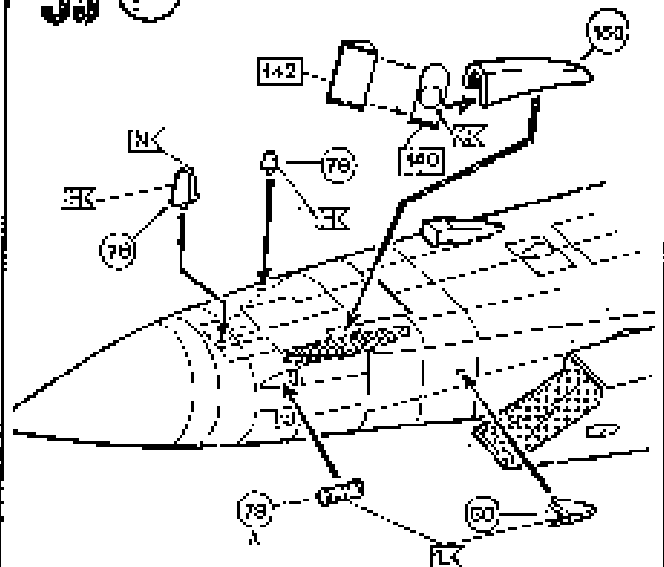
37 

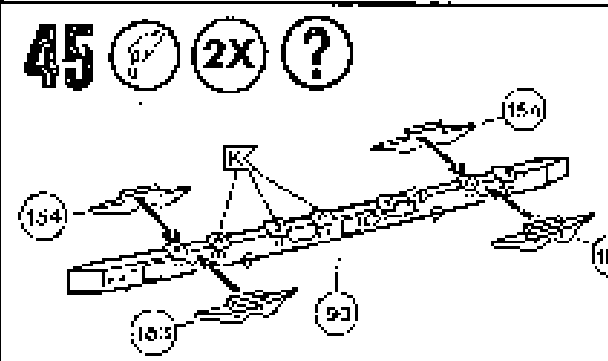
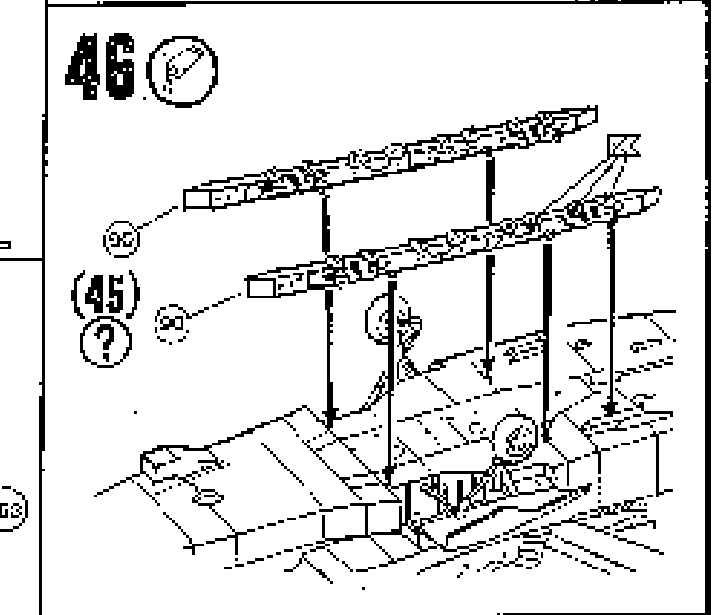
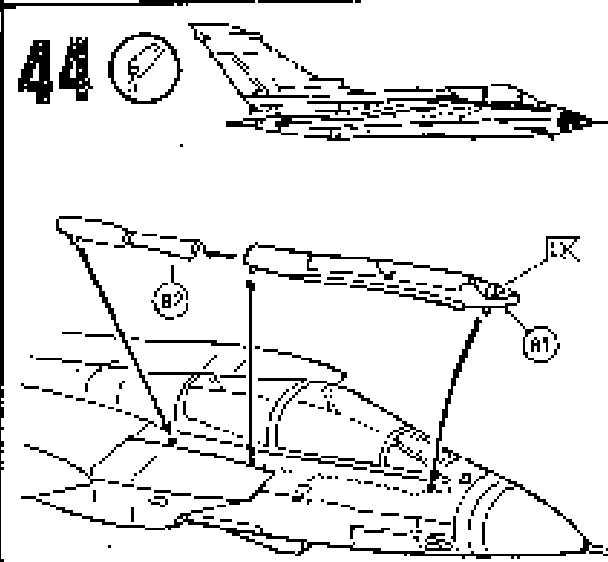
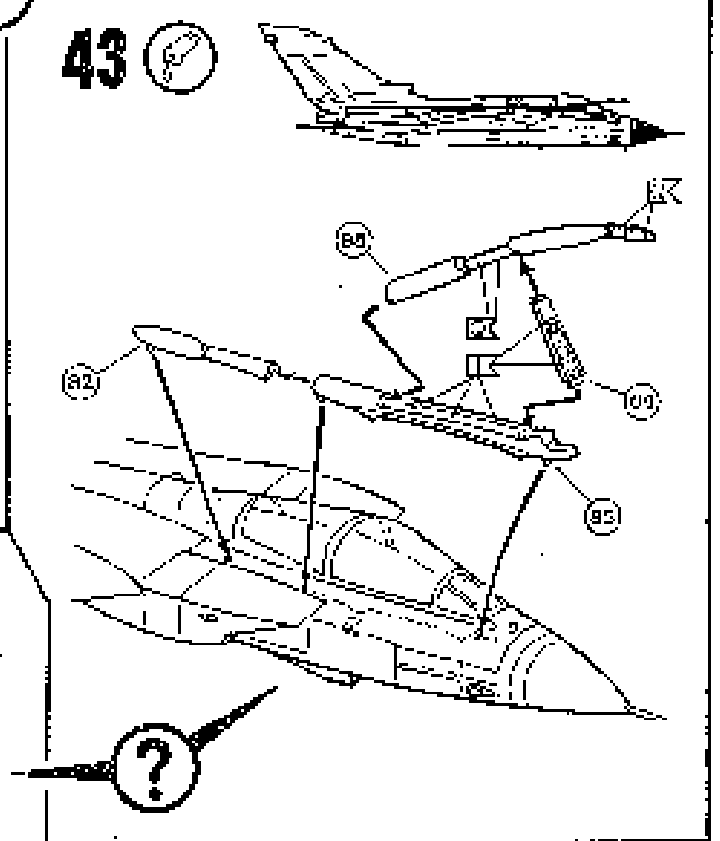
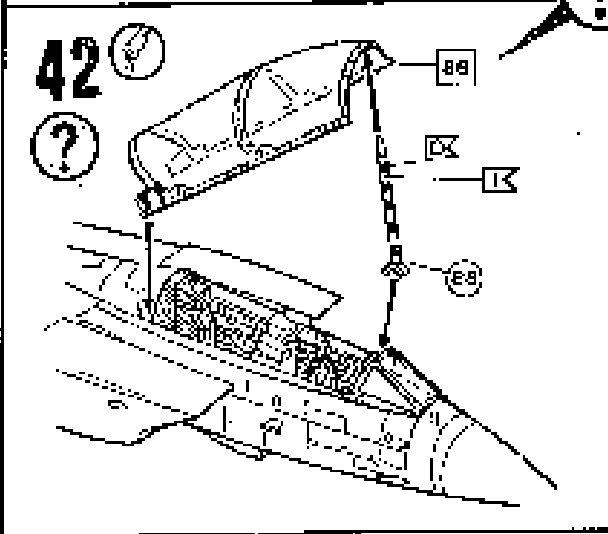
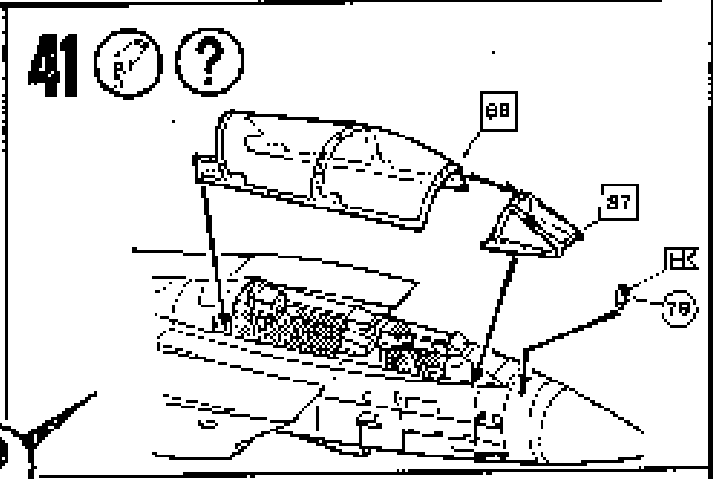
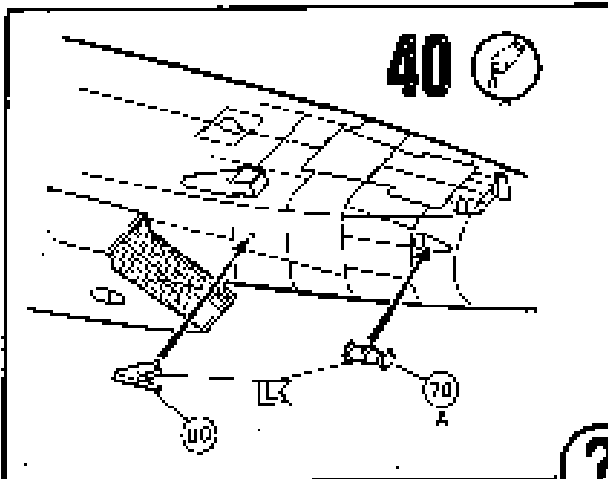


38 

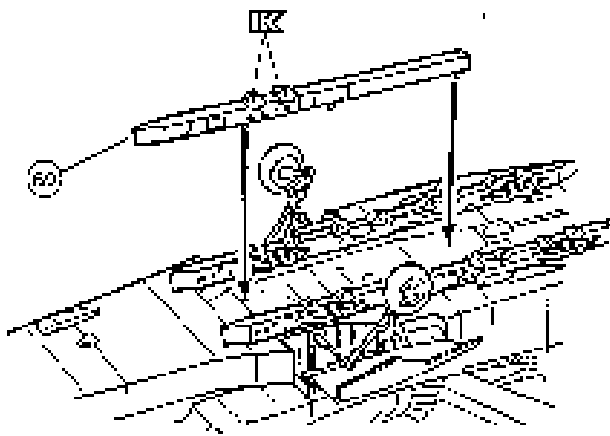


39 



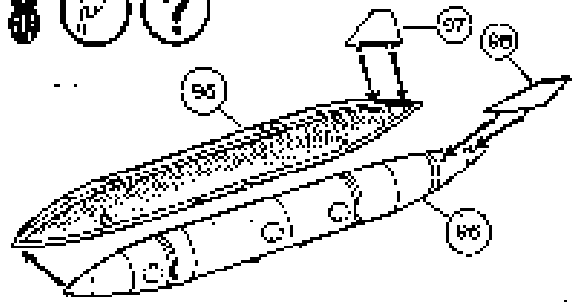


47 



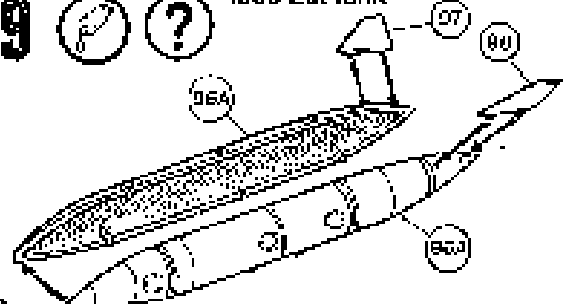
48  

1500 Ltr. tank

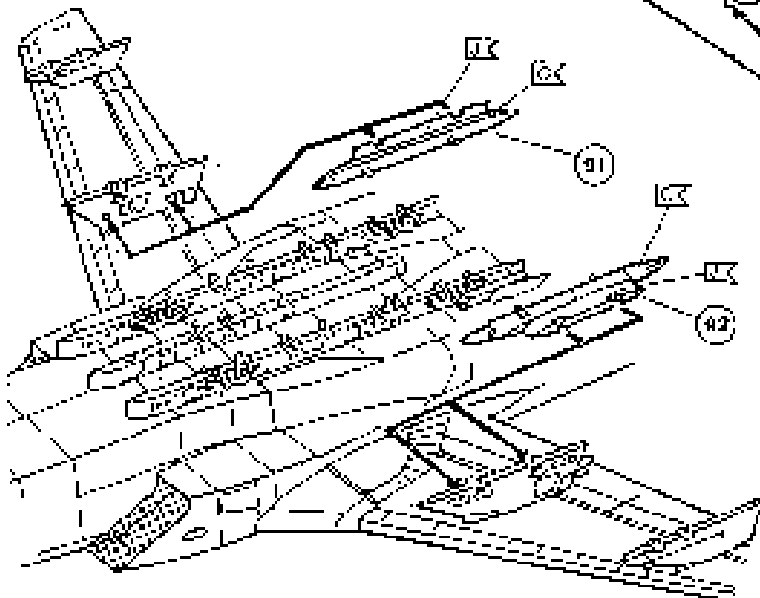


49  

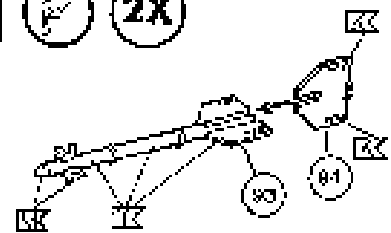
1500 Ltr. tank



50 

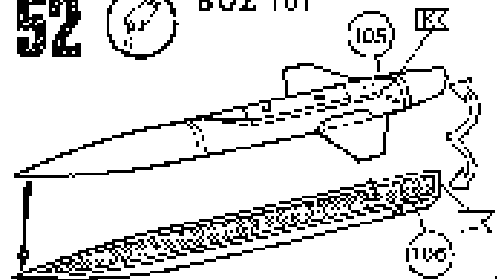



51  

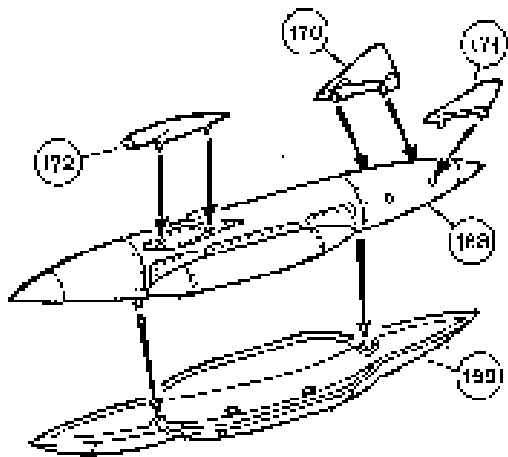


52 

BOZ 10f

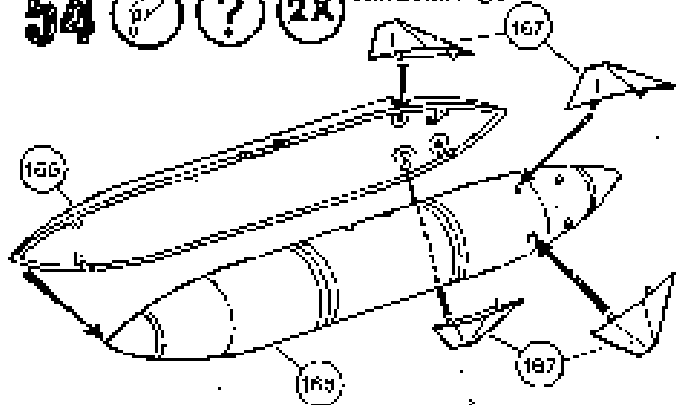


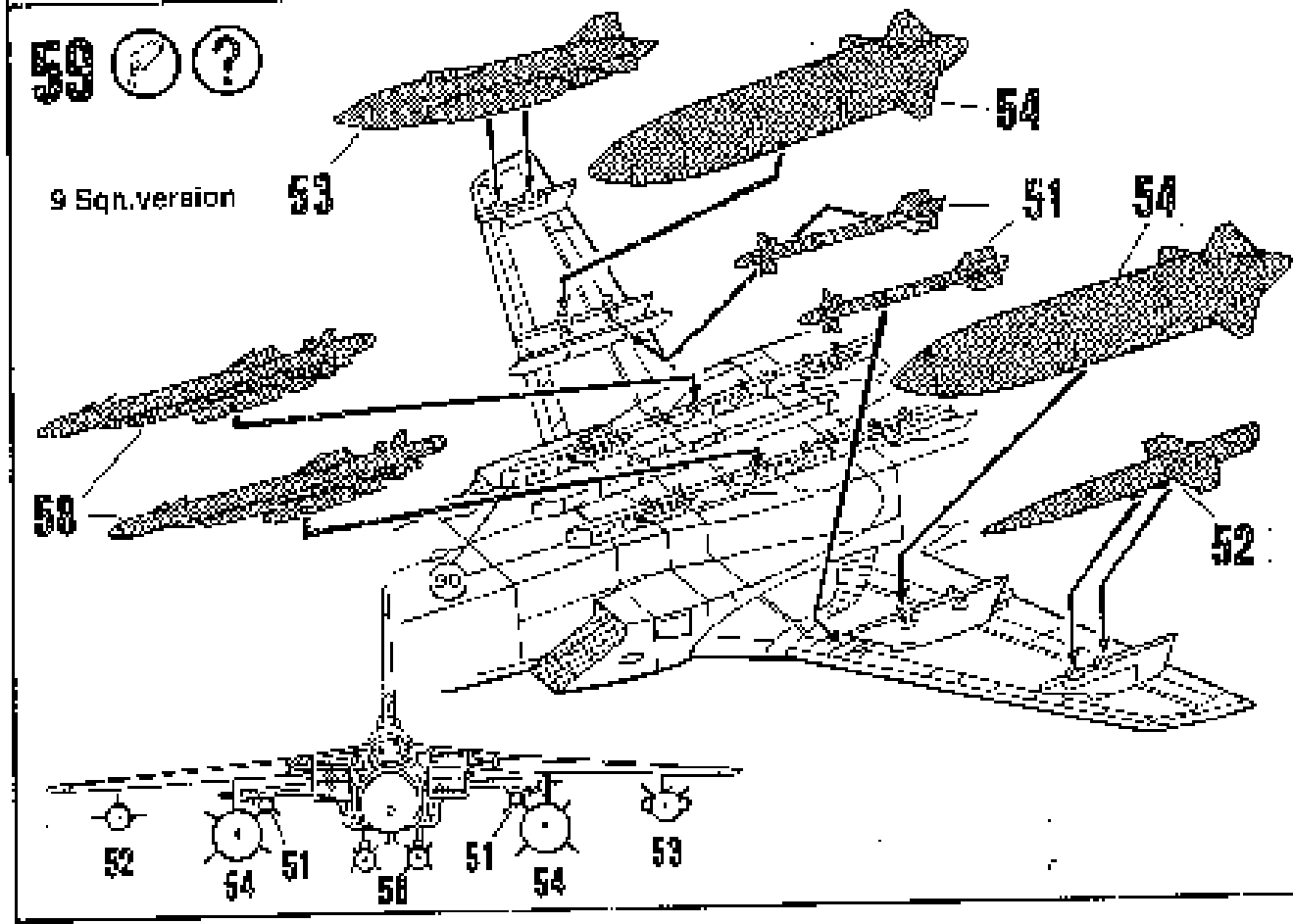
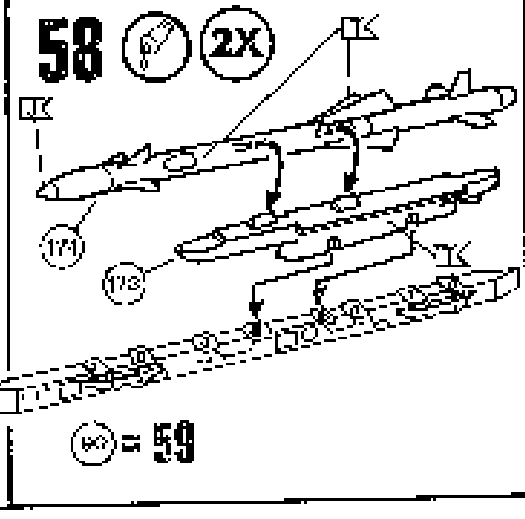
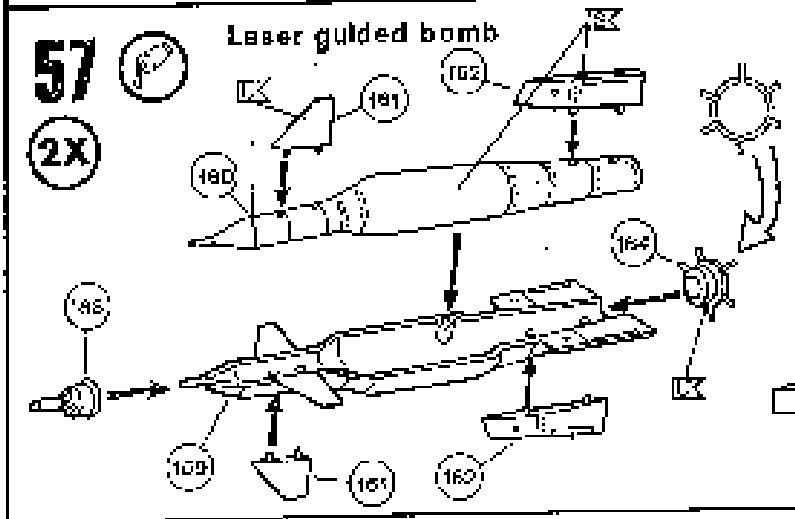
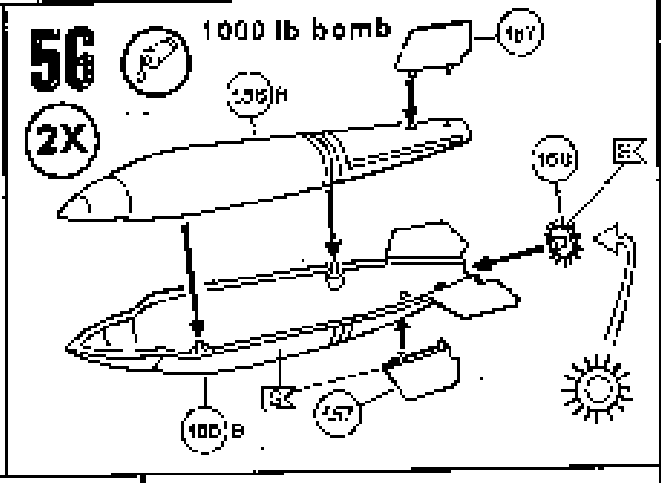
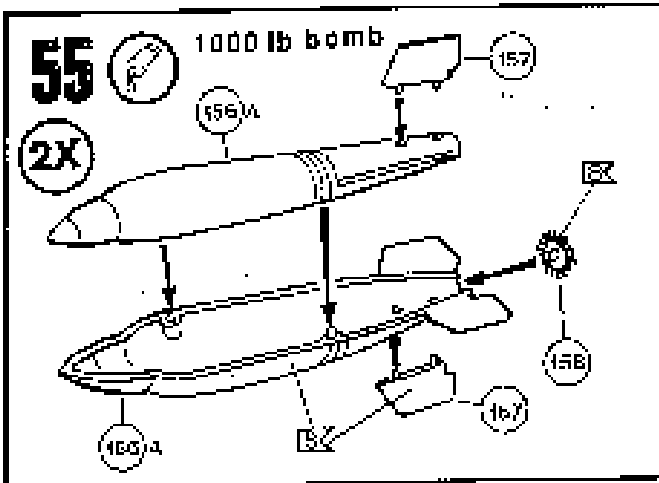
53  SKY SHADOW pod



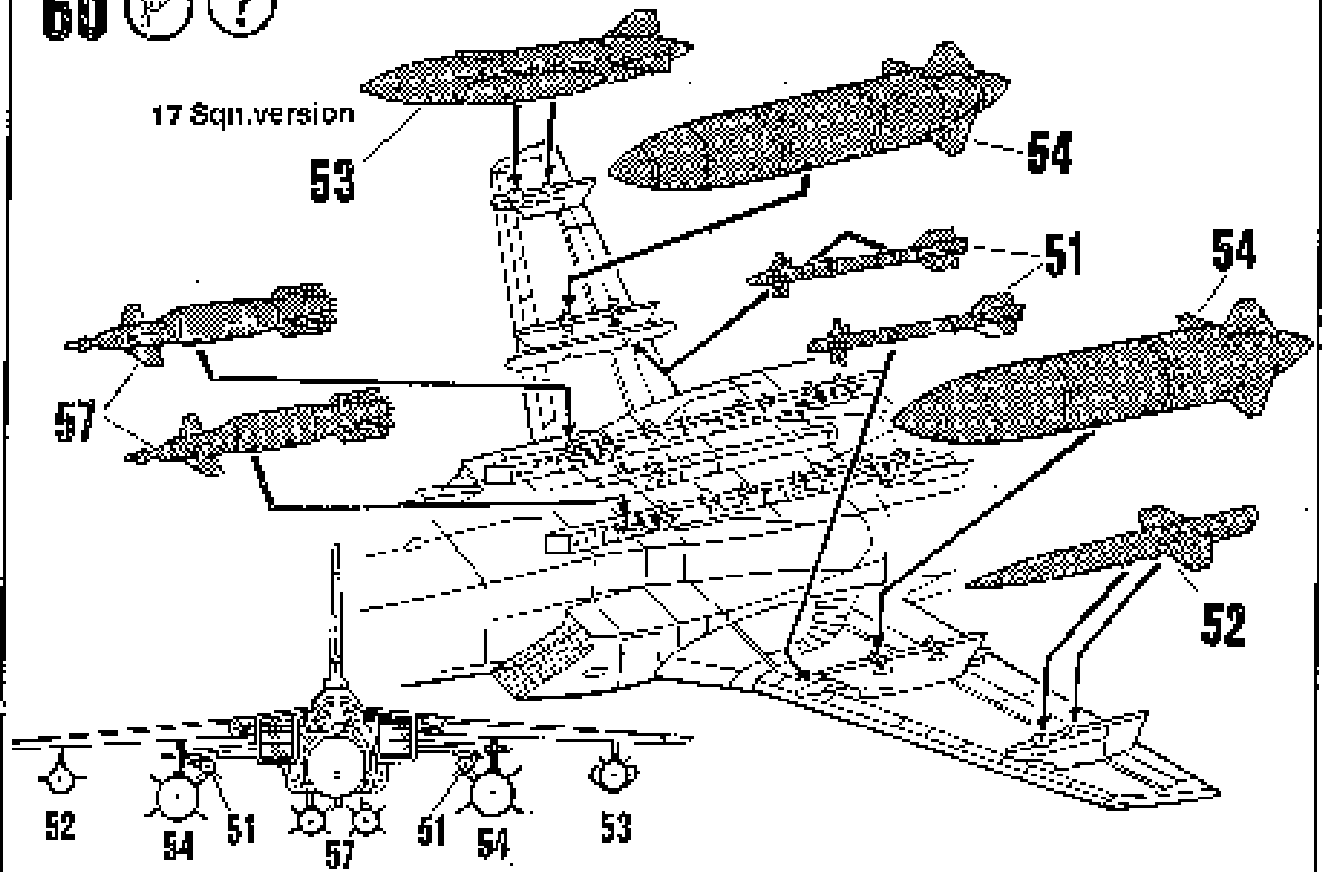
54   

2250 Ltr. Hindenburger tank



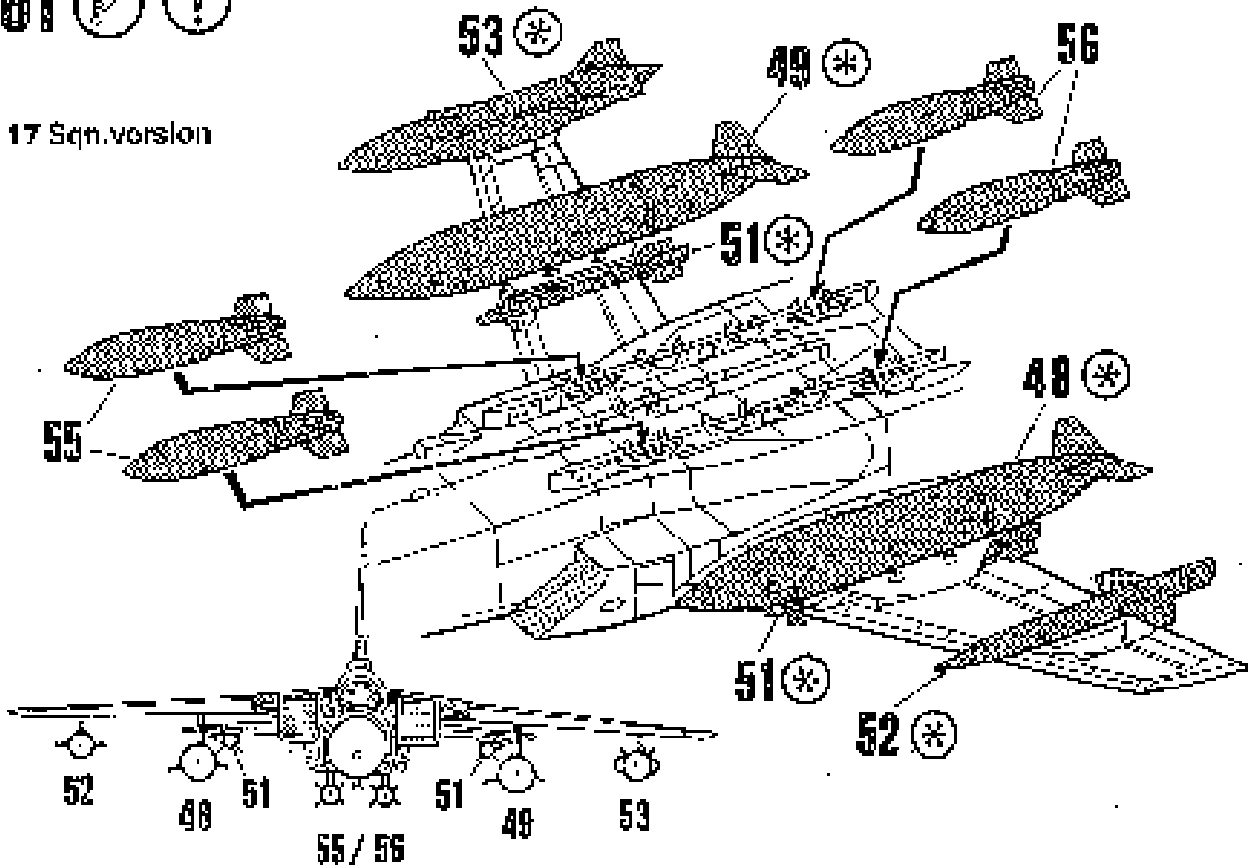


60  



61  

17 Sqn.version



62



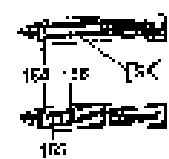
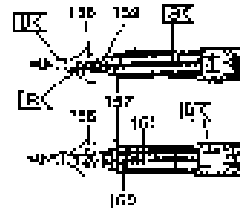
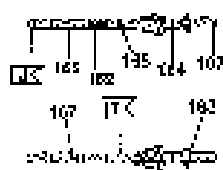
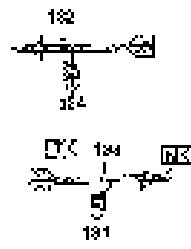
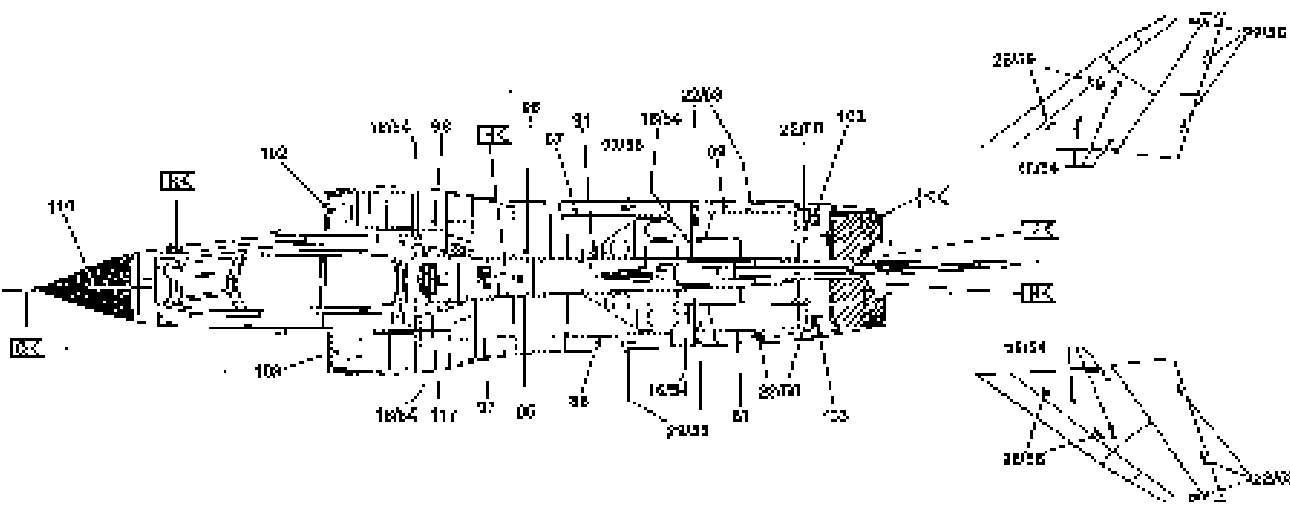
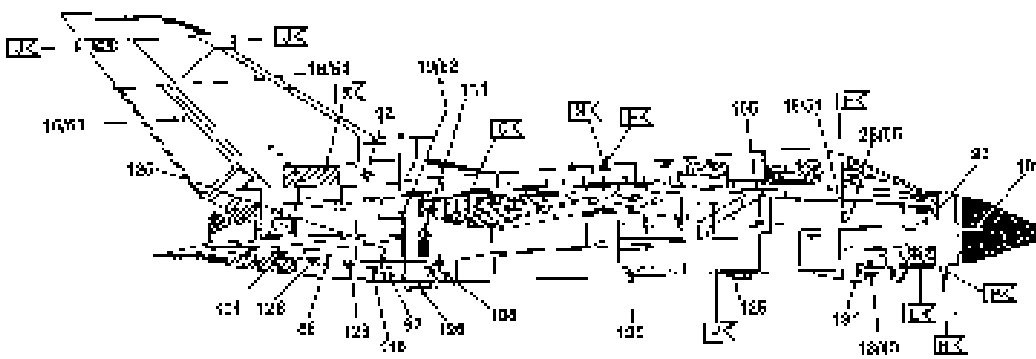
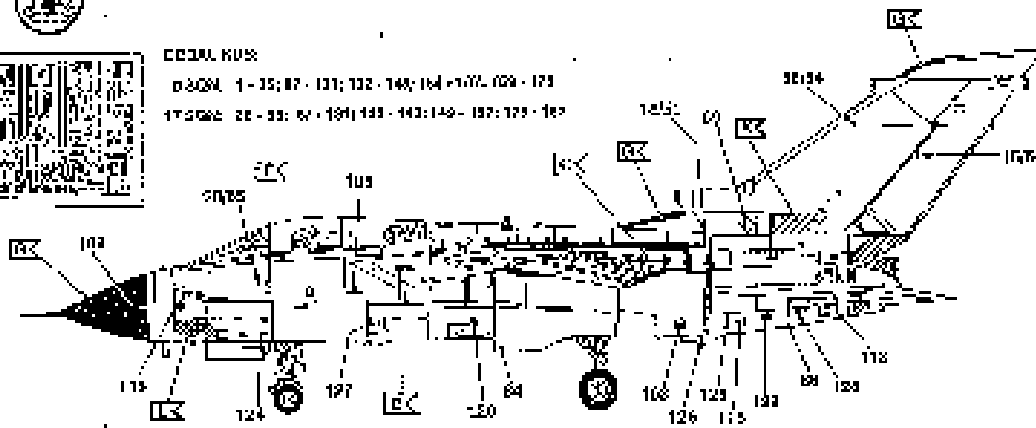
General Decals - Sheet 1



DECAL NUM:

03084 1-35; 87-131; 132-146; 164-177; 109-173

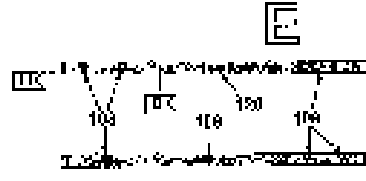
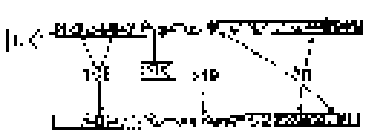
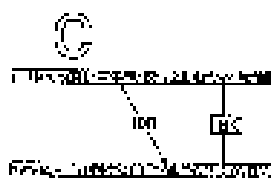
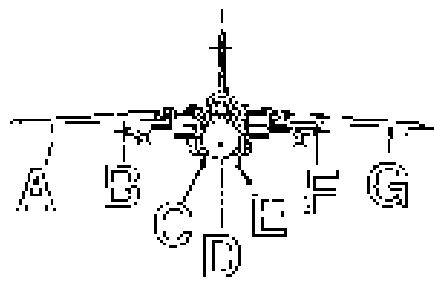
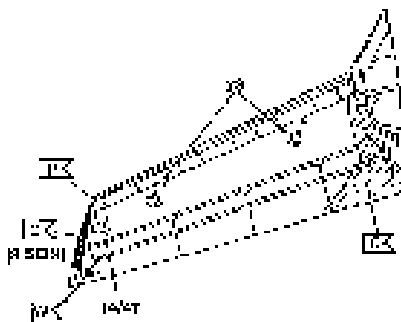
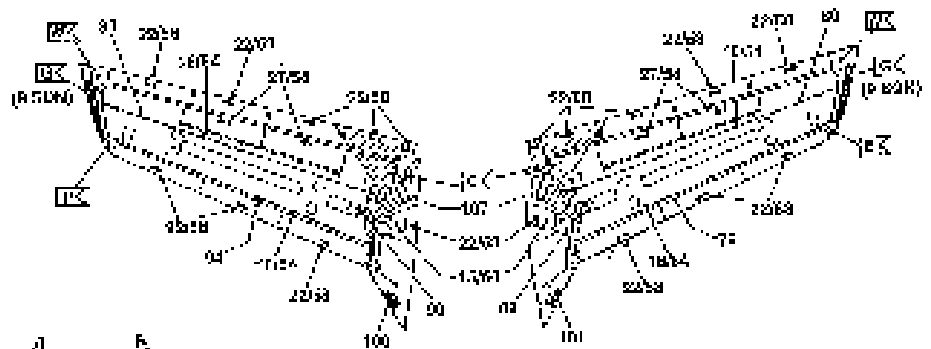
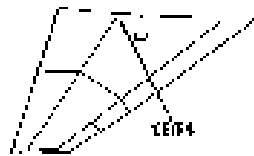
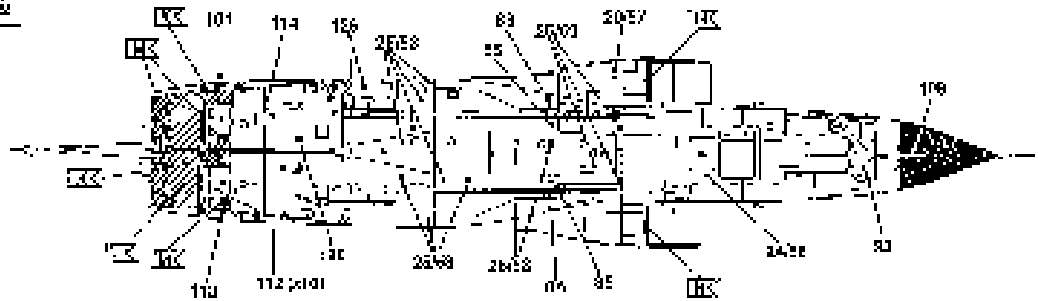
175066 28-33; 67-100; 143-145; 149-157; 175-187



63



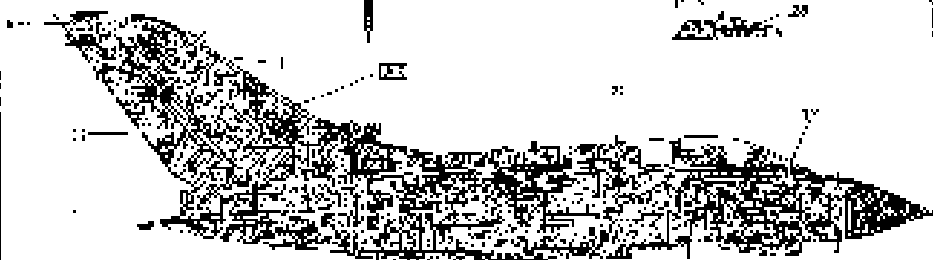
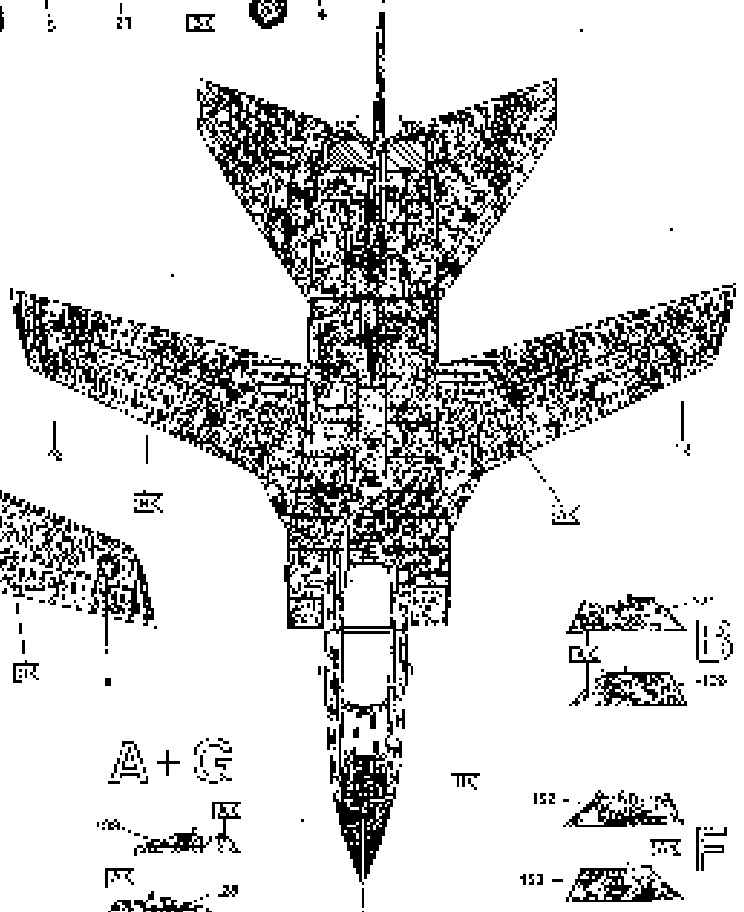
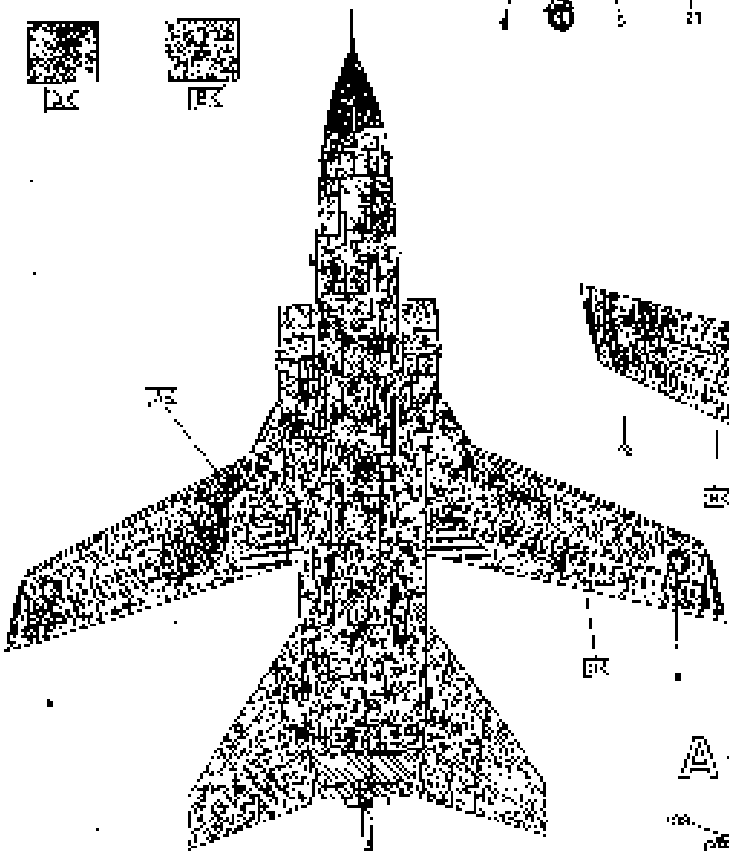
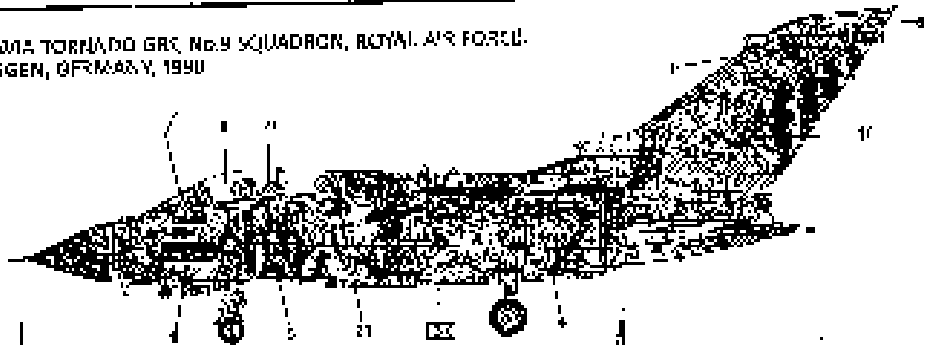
General Decals - Sheet 2



64

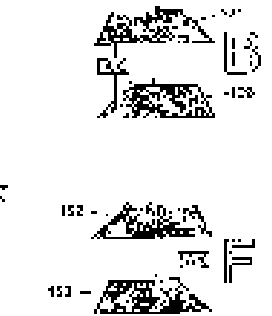


WYNDHAM TORNADO GRX, No.9 SQUADRON, ROYAL AIR FORCE.
BRÜGGEN, GERMANY, 1990

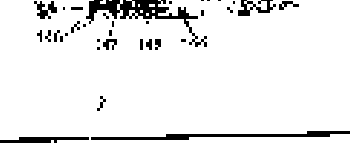
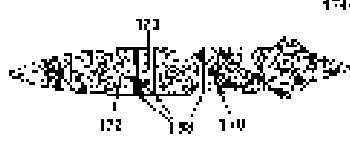
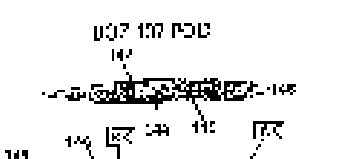
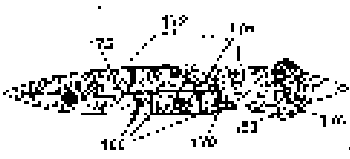
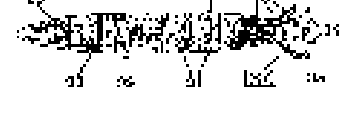
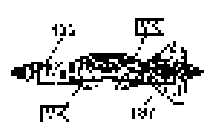
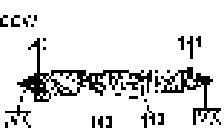
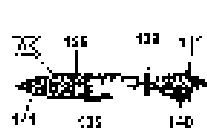


A + G

TR



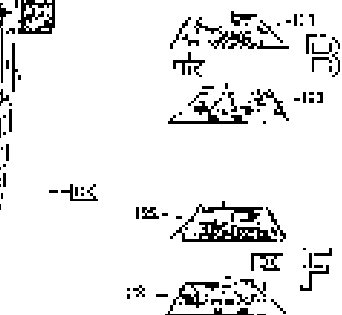
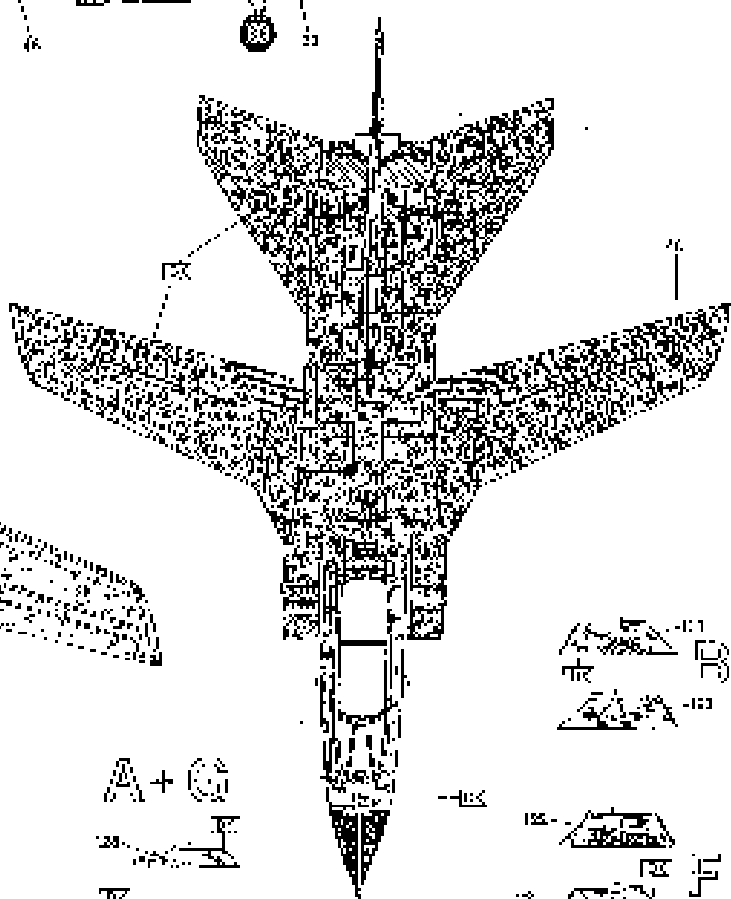
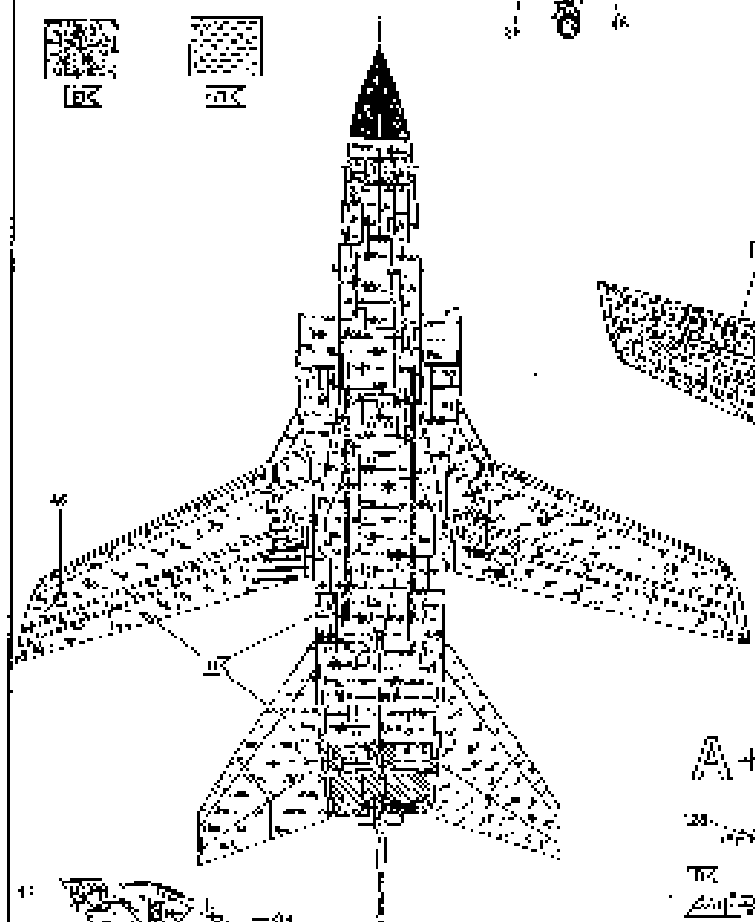
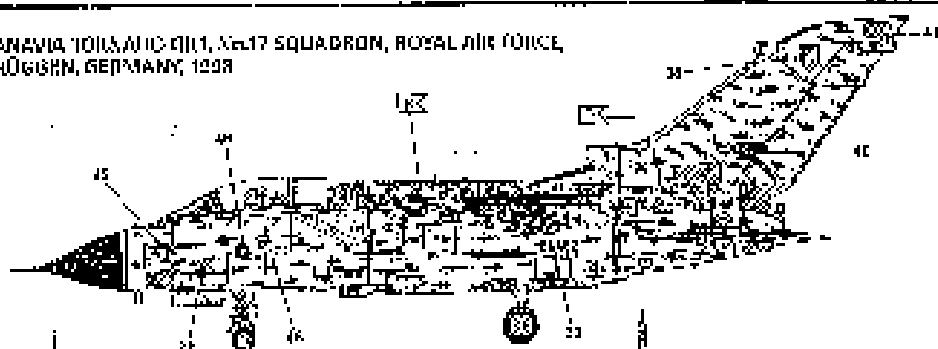
1500 LTR TANK



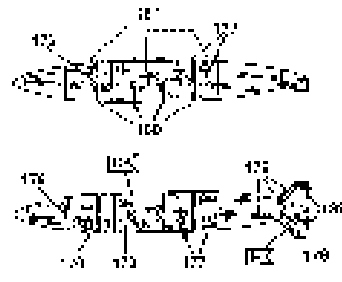
65



ΠΑΝΑΓΙΑ ΤΟΥΣ ΑΓΙΟΥ ΠΙΤΤ, No. 17 SQUADRON, ROYAL AIR FORCE,
ΣΚΟΪΣΣΗ, ΓΕΡΜΑΝΙΑ, 1928



1500-LTR TANK



300-110 FCG

