



WLX-7000



Wi-Fi access point AC1200

Introduction

Thank you for purchasing the Sitecom WLX-7000 AC1200 Wi-Fi Dual-band Access Point. This Access Point lets you upgrade your home network to enjoy a bigger Wi-Fi range, faster speeds and better connections. It is extremely easy to setup, works with any Internet provider and can be connected to any existing (modem) router or set-top box to improve the home network. You can position the access point standing up, hanging on the wall or flat on the desk.

The WLX-7000 AC1200 Wi-Fi Dual-band Access Point has strong internal dual-band antennas that will give you a bigger Wi-Fi range than the (modem) router or set-top box that you have received from your Internet provider. Connect to the access point's Wi-Fi throughout your whole home and browse, shop and watch wherever you want.

The WLX-7000 AC1200 Wi-Fi Dual-band Access Point lets you create a blazing-fast Wi-Fi network and take advantage of the latest Wi-Fi technology 802.11ac. The access point is capable of reaching combined Wi-Fi speeds of AC1200. Stream multiple HD movies and enjoy Netflix, Spotify and many more, without lag and buffering. Wired devices such as your HD TV or game console can be connected to the access point's Gigabit ports to make use of an ultra-stable and reliable connection with wired speeds of up to 1000 Mbps.

Use two Wi-Fi networks at the same time with Simultaneous Dual-band technology. The standard 2,4 GHz frequency is ideal for lighter tasks such as surfing, mailing and watching YouTube clips, while the 5 GHz frequency is your fast lane for demanding tasks such as streaming HD movies with Netflix or playing video games online.

The WLX-7000 AC1200 Wi-Fi Dual-band Access Point is fully Plug & Play out of the box. Simply connect the access point with the included network cable to a free port of your (modem) router or set-top box, no installation or configuration necessary. The access point is secured with a pre-set unique Wi-Fi password (WPA2) and can be found easily in any list of Wi-Fi networks via the unique Wi-Fi name (SSID).

This product can be used safely in the countries listed below:



This product complies with the following European Union regulations:



Table of Contents

| | |
|---------------------------------------|----|
| Key Features | 6 |
| Package Contents..... | 7 |
| Cautions..... | 8 |
| Product Layout..... | 9 |
| Network + System Requirements | 11 |
| Product Installation | 12 |
| Setup your Computer..... | 13 |
| Configuration | 16 |
| Status..... | 17 |
| Wi-Fi Settings | 22 |
| Toolbox Settings..... | 30 |
| Addendum A: GNU/GPL Information | 33 |

Sitecom Europe BV

EC Declaration of Conformity

Sitecom Europe BV
PO Box 12040
3004 GA Rotterdam
The Netherlands

We declare under our sole responsibility that the following product:

Product name: Wi-Fi access point AC1200
Article: WLX-7000 v1 001

are fully in conformity with the essential requirements of the relevant EU Directives and other normative documents.

The following relevant directives and requirements were used to declare compliance:

CE/LVD

- EN 60950-1: 2006+A11 (2009)

CE/EMC

- EN 301 489-1 V1.8.1
- EN 301 489-17 V2.1.1

RADIO SPECTRUM

- EN 300 328 V1.7.1 2006-10
- EN 50385 2002

Sitecom Europe BV Rotterdam, 26-10-2015

Sjors Hendriks
CPO

UK CE COMPLIANCE

Hereby Sitecom Europe BV declares that this product is in accordance with essential requirements and other relevant terms of the European regulation 1999/5/EC.

FR CONFORMITE CE

Par la présente Sitecom Europe BV, déclare que l'appareil est conforme aux exigences essentielles et aux dispositions pertinentes de la Directive Européenne 1999/5/EC.

DE CE-CONFORMITÄT

Hiermit erklärt Sitecom Europe BV, dass dieses Produkt die erforderlichen Voraussetzungen und andere relevante Konditionen der europäischen Richtlinie 1999/5/EC erfüllt.

IT CONFORMITÀ ALLE NORME CE

Con la presente Sitecom Europe BV dichiara che questo prodotto è conforme ai requisiti essenziali e agli altri termini rilevanti della Direttiva Europea 1999/5/EC.

NL CE GOEDKEURING

Hierbij verklaart Sitecom Europe BV dat dit product in overeenstemming is met de essentiële eisen en andere relevante bepalingen van Europese Richtlijn 1999/5/EC.

ES CONFORMIDAD CON LA CE

Por la presente Sitecom Europe BV declara que este producto cumple con los requisitos esenciales y las otras provisiones relevantes de la Directiva Europea 1999/5/EC.

PT CONFORMIDADE CE

Por la presente a Sitecom Europe BV declara que este produto está em conformidade com os requisitos essenciais e outras condições relevantes da regulamentação Europeia 1999/5/EC.

SE CE-FÖRSÄKRAN

Härmed försäkras Sitecom Europe BV att denna produkt uppfyller de nödvändiga kraven och andra relevanta villkor EU-direktivet 1999/5/EC.

DK OVERENSSTEMMELSESERKLÆRING

Sitecom Europe BV bekræfter hermed, at dette produkt er i overensstemmelse med væsentlige krav og andre betingelser i henhold til Rådets direktiv 1999/5/EC.

NO CE-OVERENSSTEMMELSE

Sitecom Europe BV erklærer herved at dette produkt er i overensstemmelse med de avgjørende kravene og andre relevante vilkår i den europeiske forskriften 1999/5/EC.

FI CE-HYVÄKSYNTÄ

Täten Sitecom Europe BV ilmoittaa, että tämä tuote on yhdenmukainen direktiivin 1999/5/EC olennaisten vaatimusten ja muiden asiaankuuluvien sopimusehtojen kanssa.

RU СООТВЕТСТВИЕ ТРЕБОВАНИЯМ CE

Настоящим компания Sitecom Europe BV заявляет, что ее продукция соответствует основным требованиям и условиям Европейской Директивы 1999/5/EC.

PL CERTYFIKAT ZGODNOŚCI CE

Sitecom Europe BV niniejszym oświadczają, że ten produkt spełnia wszelkie niezbędne wymogi, a także inne istotne warunki dyrektywy europejskiej 1999/5/WE.

GR ΣΥΜΜΟΡΦΩΣΗ ΜΕ CE

Η Sitecom Europe BV δηλώνει, ότι το παρόντος, ότι αυτό το προϊόν συμμορφώνεται με τις ουσιώδεις απαιτήσεις και τους λοιπούς όρους του ευρωπαϊκού κανονισμού 1999/5/ΕΚ.



This product may be used in the following countries:
 AT BE BG CH CY CZ DE DK EE ES
 FI FR GB GR HU IE IT NO PL PT
 SE SK SI TR UK For more EU countries, please check with the local authorities for restrictions of using wireless products.

Key Features

| Features | Advantages |
|--|---|
| Incredible Data Rate up to 300Mbps on 2.4GHz and 866Mbps on 5GHz* | Heavy data payloads such as MPEG video streaming |
| IEEE 802.11ac Compliant and backwards compatible with 802.11b/g/n | Fully Interoperable with IEEE 802.11b/g/n compliant devices with legacy protection |
| Supports DHCP server function | Can act as a DHCP server to handle all DHCP traffic on the network. |
| Easy to use web-based GUI | Graphical User Interface for network configuration and management purposes. |
| WPS Buttons | Easily connect the device to your existing network and your clients with just the push of a button. |

** Theoretical wireless signal rate based on IEEE standard of 802.11b, g, n, ac chipset used. Actual throughput may vary. Network conditions and environmental factors lower actual throughput rate. All specifications are subject to change without notice.*

Package Contents

Open the package carefully, and make sure that none of the items listed below are missing. Do not discard the packing materials, in case of return; the unit must be shipped back in its original package.

1. The WLX-7000 access point AC1200
2. A 110V~240V to 12V 1A Switching Power Adapter
3. A Quick Install Guide
4. An UTP cable

Cautions

This device's design and manufacturer has your safety in mind. In order to safely and effectively use this device, please read the following before usage.

Usage Cautions

The user should not modify this device. The environmental temperature should be within +5 ~ +35 degrees Celsius.

Power

The router's power voltage is DC 12V 1A.

When using this router, please connect the supplied AC adapter or AC adapter cable to the router's power jack. When placing the adapter cable, make sure it can't get damaged or be subject to pressure. To reduce the risk of electric shock, unplug the adapter first before cleaning it. Never connect the adapter to the router in a humid or dusty area. Do not replace the adapter or cable's wire or connector.

Repair

If the device has a problem, you should take it to an appointed repair center and let the specialists do the repair. Never repair the device yourself, you might damage the device or endanger yourself.

Disposing of the device

When you dispose of the device, be sure to dispose of it appropriately. Some countries may regulate disposal of an electrical device, please consult with your local authority.

Others

When using this device, please do not let it come into contact with water or other liquids. If water is accidentally spilled on the device, please use a dry cloth to absorb the spillage. Electronic products are vulnerable, when using please avoid shaking or hitting the device, and do not press the buttons too hard.

- Do not let the device come into contact with water or other liquid.
- Do not disassemble, repair or change the design of the device, any damage done will not be included in the repair policy.
- Avoid hitting the device with a hard object, avoid shaking the device and stay away from magnetic fields.
- If during electrostatic discharge or a strong electromagnetic field the device will malfunction, unplug the power cable. The product will return to normal performance the next time it is powered on.

Product Layout



| | Description |
|----------------------|--|
| Network Ports | You can use this port to connect to a wired modem or router to add wireless functionality. You can also use these ports to connect additional wired devices. |

Backlabel and Network Details Folder

The Network Details Folder describes the IP address, login details, network name, security code and OPS button functionality.



| Button | Description |
|------------|--|
| OPS BUTTON | Press 2 seconds for WPS/OPS mode |
| | Press both buttons 15+ Seconds to reset to factory defaults. |

LED Description



From top to bottom:

| LED | Color | Description |
|-------------|---------|--------------------------------|
| OPS | (White) | Shows OPS activity. |
| Power | (Red) | Shows the device is turned on. |
| 5GHz WiFi | (Blue) | Shows 5GHz WiFi activity. |
| 2.4GHz WiFi | (Blue) | Shows 2.4GHz WiFi activity. |
| LAN | (Blue) | Shows the cable is connected. |
| LAN | (Blue) | Shows the cable is connected. |
| LAN | (Blue) | Shows the cable is connected. |
| LAN | (Blue) | Shows the cable is connected. |
| LAN | (Blue) | Shows the cable is connected. |

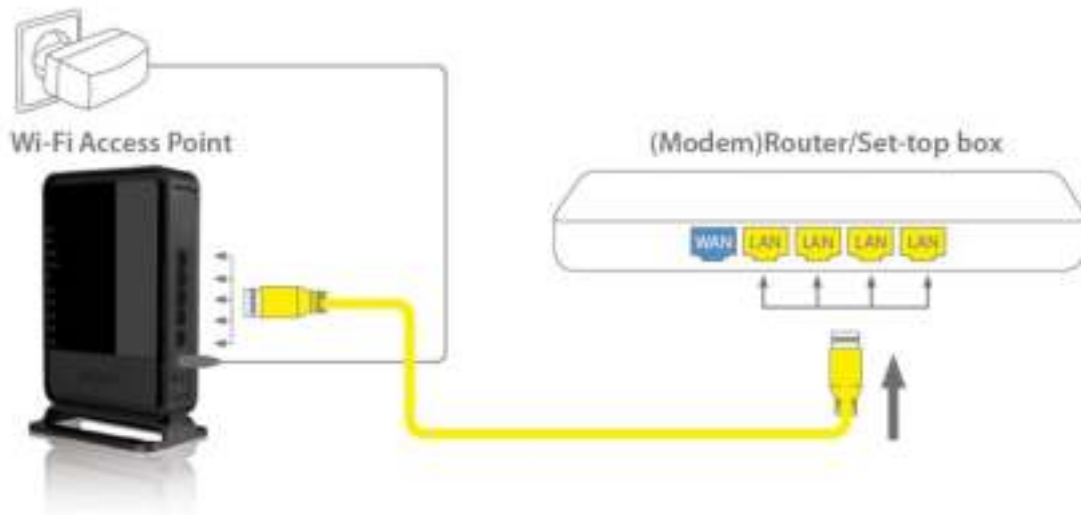
Network + System Requirements

To begin using the WLX-7000, make sure you meet the following as minimum requirements:

| | |
|-------------------------|---|
| Network Requirements | An Ethernet-based broadband modem |
| Web-based Configuration | Computer with the following: <ul style="list-style-type: none">- Windows®, Macintosh, or Linux-based operating system- An installed Ethernet adapter or wireless adapter- Supported Browsers: Internet Explorer 9 or higher Firefox Safari 4 or higher Chrome |

Product Installation

You can place the access point on a desk or other flat surface, or you can mount it on a wall. For optimal performance, place your access point in the center of your home (or your office) in a location that is away from any potential source of interference, such as a metal wall or microwave oven. This location must be close to a power connection and your ADSL/Cable modem.



Connect the supplied power-adaptor to the power inlet port and connect it to a wall outlet. Switch the access point on by flipping the switch on the back of the device. The access point automatically enters the self-test phase. During self-test phase, the Power LED will be lit continuously to indicate that this product is in normal operation.

Setup your Computer

Windows, Manual Connection

- Click on the icon for wireless connectivity. This is usually located in the System Tray, next to the clock.



- Select the Sitecom network. The correct network name can be found on the sticker on bottom of the router, or in the Network Details Folder.



- Fill in the password for the wireless network. The correct password can be found on the sticker on the bottom of the router, or in the Network Details Folder.



- Wait for the icon to display that it's connected to the network.



Windows, OPS Connection

- Click on the icon for wireless connectivity. This is usually located in the System Tray, next to the clock.



- Select the Sitecom network. The correct network name can be found on the sticker on bottom of the router, or in the Network Details Folder.



- Push the OPS Button on the router. For 2.4GHz, press the 2.4GHz button. For 5GHz, press the 5GHz button.



- Wait for the icon to display that it's connected to the network.



Mac OSX

- Click on the icon for wireless connectivity. This is usually located in the System Tray, next to the clock.



- Select the Sitecom network. The correct network name can be found on the sticker on bottom of the router, or in the Network Details Folder.



- Fill in the password for the wireless network. The correct password can be found on the sticker on the bottom of the router, or in the Network Details Folder.



- Wait for the icon to display that it's connected to the network.



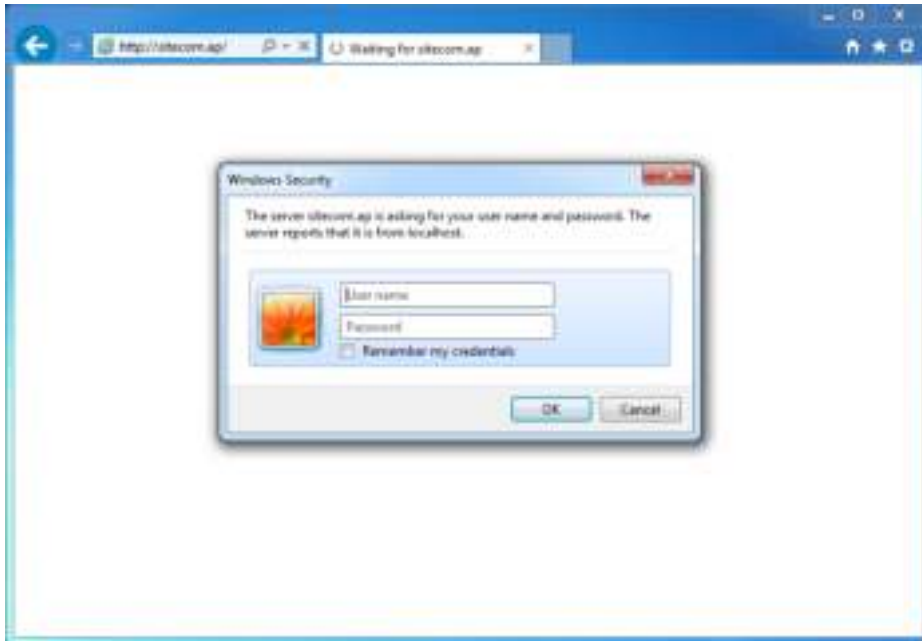
Configuration

LOGIN procedure

1. OPEN your browser (e.g. Internet Explorer).



2. Type <http://sitecom.ap> in the address bar and press [Enter]



3. Type user name and password (default username is 'admin', the password can be found on the back of the Access Point).



4. Click OK.
5. You will see the home page of the WLX-7000.

Status

System Status

The System status section allows you to monitor the current status of your device, the UP time, hardware information, serial number as well as firmware version information is displayed here.



Wi-Fi access point AC1200

SITECOM

Status | 2.4GHz WiFi | 5GHz WiFi | Tools | Choose your language

System Status | LAN settings | Device Status | Log | Statistics

You can use the Status page to monitor the connection status for the 802.11n LAN interface, firmware and hardware version numbers, any illegal attempts to access your network and information on all DHCP client PCs currently connected to your network.

System

| | |
|-------------------------|----------------|
| Model : | WLX-7D05 |
| Uptime : | 0 Day 00:08:03 |
| Firmware Version : | Fw. 4 |
| Serial Number : | WLX00034700003 |
| Boot Code Version : | 4.3.1.0 |
| Bootless Code Version : | 1.03 |

LAN settings

This device provides some control functions including IP address management, and DHCP server function.

Wi-Fi access point AC1200

STATUS | 2.4GHz WiFi | 5GHz WiFi | Tools

System Status | LAN settings | Device Status | Log | Statistics

You can enable the Broadband routers DHCP server to dynamically allocate IP Addresses to your LAN client PCs. The broadband router must have an IP Address for the Local Area Network.

LAN IP

| | |
|------------------|---------------|
| Static Type: | Dynamic IP * |
| IP Address: | 192.168.1.1 |
| IP Subnet Mask: | 255.255.255.0 |
| Default Gateway: | 0.0.0.0 |
| DHCP Server: | Enabled * |
| Lease Time: | One Hour * |

DHCP Server

| | |
|-----------|---------------|
| Start IP: | 192.168.0.100 |
| End IP: | 192.168.0.200 |
| Hostname: | sitemcom.ap |

Apply Cancel

IP Address You can change the IP address of this device, so it can become a part of your local network. Please remember this address or you will not be able to connect the configuration menu of device.

Default Gateway Please input the IP address of default gateway of your network here.

DHCP Server If you want to activate the DHCP server function of this device, please select 'Enabled' in the 'DHCP Server' option, and see the next Section for detailed instructions. If you don't want to use the DHCP server function of this device, or there's another DHCP server on the network this device connects to, please select 'Disable'. After you finish, please go to the bottom of this page and click 'Apply'.

Lease Time Please choose a lease time (the duration that every computer can keep a specific IP address) of every IP address assigned by this access point from dropdown menu.

DHCP Start IP Please input the start IP address of the IP range.

DHCP End IP Please input the end IP address of the IP range.

Hostname If you wish, you can also optionally input the domain name for your network. This is optional.

After you finish, please click 'Apply'.

Device Status

View the router's current configuration settings. Device Status displays the configuration settings you've configured in the Internet Settings and WiFi Settings sections.

The screenshot shows the web interface for a Sitecom Wi-Fi access point AC1200. At the top, there is a navigation bar with 'Status' selected, and other options like '2.4GHz WiFi', '5GHz WiFi', and 'Tools'. A 'Change your language' button is on the right. Below the navigation bar, there are tabs for 'System Status', 'LAN settings', 'Device Status', 'Log', and 'Statistics', with 'Device Status' being the active tab. The main content area displays the current settings for the device, including Mode (AP), 2.4G Wireless Configuration (Channel 11, SSID_1: Guest123456, Security: WPA Pre-shared Key, BSSID: 08:01:01:01:00:74), 5G Wireless Configuration (Channel 36, SSID_1: Guest123456, Security: WPA Pre-shared Key, BSSID: 64:01:43:41:00:75), and LAN Configuration (IP Address: 10.0.0.20, Subnet Mask: 255.255.255.0, MAC Address: 08:01:01:01:00:74).

View the current setting status of the device.

Mode: AP

2.4G Wireless Configuration

Channel: 11

SSID_1

| | |
|----------|--------------------|
| ESSID | Guest123456 |
| Security | WPA Pre-shared Key |
| BSSID | 08:01:01:01:00:74 |

5G Wireless Configuration

Channel: 36

SSID_1

| | |
|----------|--------------------|
| ESSID | Guest123456 |
| Security | WPA Pre-shared Key |
| BSSID | 64:01:43:41:00:75 |

LAN Configuration

| | |
|-------------|-------------------|
| IP Address | 10.0.0.20 |
| Subnet Mask | 255.255.255.0 |
| MAC Address | 08:01:01:01:00:74 |

Log

This page shows the current system log of the access point. It displays any event that occurred during or after system start up. At the bottom of the page, the system log can be saved <Save> to a local file for further processing or the system log can be cleared <Clear> or it can be refreshed <Refresh> to get the most updated information. When the system is powered down, the system log will disappear if not saved to a local file.

Wi-Fi access point AC1200



Status | 2.4GHz WiFi | 5GHz WiFi | Tools | [Change your language](#)

System Status | LAN Settings | Device Status | **Log** | Statistics

View the system operation information. You can see the system start up time, connection process, etc. here.

```
Feb 22 10:21:41 [SYSTEM]: WLAN(240) [80], STA(00:23:14:00:79:2c) has authenticated successfully
Feb 22 10:21:41 [SYSTEM]: WLAN(240) [80], STA(00:23:14:00:79:2c) sec key done is WPA2/WPA2PSK
Feb 22 10:21:41 [SYSTEM]: WLAN(240) [80], STA(00:23:14:00:79:2c) has authenticated successfully
Feb 22 10:21:24 [SYSTEM]: WLAN(240) [80], STA(00:23:14:00:79:2c) has deauthenticated
Feb 22 10:21:24 [SYSTEM]: WLAN(240), SSID(ssid) WPA2SecMallcom
Feb 22 10:21:24 [SYSTEM]: WLAN(240), SSID(ssid) WPA2SecMallcom
Feb 22 10:21:23 [SYSTEM]: WLAN(240) [80], STA(00:23:14:00:79:2c) has authenticated successfully
Feb 22 10:20:58 [SYSTEM]: WLAN(240), SSID(ssid) CE Adaptive Tx stop
Feb 22 10:20:58 [SYSTEM]: WLAN(240), SSID(ssid) CE Adaptive Tx stop
Feb 22 10:18:27 [SYSTEM]: WLAN(240), SSID(ssid) channel switch to 10
Feb 22 10:18:28 [SYSTEM]: HTTP, get real view from HTTP server.
Jan 1 00:00:22 [SYSTEM]: WLAN(80), WDC UPnP start
Jan 1 00:00:20 [SYSTEM]: WLAN(80), Channel = 36
Jan 1 00:00:20 [SYSTEM]: WLAN(80), CountryRegion = 0
Jan 1 00:00:18 [SYSTEM]: WLAN(240), WDC UPnP start
Jan 1 00:00:18 [SYSTEM]: WLAN(240), Channel = AutoSelect
Jan 1 00:00:18 [SYSTEM]: WLAN(240), CountryRegion = 1
Jan 1 00:00:18 [SYSTEM]: WLAN(240), SSID(ssid) channel switch to 10
Jan 1 00:00:18 [SYSTEM]: HTTP, start
Jan 1 00:00:18 [SYSTEM]: HTTP, stopping
Jan 1 00:00:18 [SYSTEM]: HTTP, start HTTP Client
```

[Save](#) [Clear](#) [Refresh](#)

Statistics

Shows the counters of packets sent and received on LAN and WLAN.

Wi-Fi access point AC1200

SITECOM

Status | 2.4GHz WiFi | 5GHz WiFi | Tools

Choose your language

System Status | LAN Settings | Device Status | Log | Statistics

This page shows the packet counters for transmission and reception regarding to networks.

| | | |
|---------------------|------------------|-------|
| 2.4G Wireless LAN : | Sent Packets | 40804 |
| | Received Packets | 47068 |
| 5G Wireless LAN : | Sent Packets | 488 |
| | Received Packets | 0 |
| Ethernet : | Sent Packets | 637 |
| | Received Packets | 0 |

Refresh

Wi-Fi Settings

You can set parameters that are used for the wireless stations to connect to this access point for the 2.4 GHz radio or 5 GHz radio.

Wireless Function

Enable or Disable Wireless function here. Click Apply and wait for module to be ready & loaded.



Basic Settings

Wi-Fi access point AC1200

STATUS | 2.4GHz WiFi | 5GHz WiFi | Toolbox | Choose your language

Enable Basic Advanced Security All WiFi

This page allows you to define ESSID, and Channel for the wireless connection. These parameters are used for the wireless devices to connect to the Access Point.

Mode: AP
Band: 2.4 GHz (80, 120/160)
Enable SSID:
SSID: SitecomAC1200
Channel: Auto

Apply Cancel

Band

Please select the wireless band you wish to use. By selecting a different band setting, you'll be able to allow or deny the wireless clients on a certain band.

SSID

Please input the ESSID (the name used to identify this wireless access point) here. You can input up to 32 alphanumerical characters. PLEASE NOTE THAT THE ESSID IS CASE SENSITIVE.

Channel Number

Please select a channel number you wish to use. The channel number must be same as the wireless access point you wish to connect.

Advanced

This tab allows you to set the advanced wireless options. The options included are Channel Bandwidth, Fragment Threshold, RTS Threshold, Beacon Interval, and Preamble Type. You should not change these parameters unless you know what effect the changes will have on the access point.

The screenshot shows the 'Advanced' settings tab for a Sitecom Wi-Fi access point AC1200. The interface includes a status bar at the top with '2.4GHz WiFi' and '5GHz WiFi' options, and a 'Choose your language' dropdown. Below the status bar are navigation tabs for 'Enable', 'Basic', 'Advanced', 'Security', 'ALL', and 'WiFi'. A warning message states: 'These settings are only for more technically advanced users who have a sufficient knowledge about wireless LAN. These settings should not be changed unless you know what effect the changes will have on your broadband router.' The settings table is as follows:

| | | |
|--------------------|---|---|
| Fragment Threshold | 2346 | (234-2346) |
| RTS Threshold | 2347 | (1-2347) |
| Beacon Interval | 100 | (20-1000 ms) |
| DTIM Period | 3 | (1-255) |
| Data Rate | Auto | |
| N Data Rate | Auto | |
| Channel Bandwidth | <input checked="" type="radio"/> Auto (20/40 MHz) | <input type="radio"/> 20 MHz |
| Preamble Type | <input type="radio"/> Long Preamble | <input checked="" type="radio"/> Short Preamble |
| CTS Protection | <input checked="" type="radio"/> Enable | <input type="radio"/> Disable |
| Tx Power | 100% | |

At the bottom right of the settings area are 'Apply' and 'Cancel' buttons.

Fragment Threshold

Set the Fragment threshold of wireless radio. The default value is 2346.

RTS Threshold

Set the RTS threshold of wireless radio. The default value is 2347.

Beacon Interval

Set the beacon interval of wireless radio. The default value is 100.

DTIM Period

Set the DTIM period of wireless radio. The default value is 3.

Data Rate

Set the wireless data transfer rate to a certain value. Since most wireless devices will negotiate with each other and pick a proper data transfer rate automatically, it's not necessary to change this value unless you know what will happen after modification.

N Data Rate

Set the data rate of 802.11 N clients, available options are MCS 0 to MCS 15. It's safe to set this option to 'Auto' and it's not necessary to change this value unless you know what will happen after modification.

Channel Width

Select wireless channel width (bandwidth taken by wireless signals of this access point). It's suggested to select 'Auto 20/40MHz'. Do not change to '20 MHz' unless you know what it is.

Preamble Type

Set the type of preamble of wireless radio. The default setting is 'Short Preamble'.

CTS Protect

Enabling this setting will reduce the chance of radio signal collisions between 802.11b and 802.11g wireless access points. It's recommended to set this option to 'Auto'.

TX Power

You can set the output power of wireless radio. Unless you're using this wireless access point in a really big space, you may not have to set output power to 100%. This will enhance security (malicious / unknown users on a distance will not be able to reach your wireless access point).

Security

This device provides many types of wireless security (wireless data encryption). When you use data encryption, data transferred by radio signals in the air will become unreadable for those people who don't know the correct encryption key (encryption password).

There are three types of security level you can select: Disable (no security - data encryption disabled), WEP and WPA Pre-shared Key. Please refer to the following sections for detailed instructions.

The screenshot shows the web interface for a Sitecom Wi-Fi access point AC1200. At the top, there is a header with the product name and the Sitecom logo. Below the header, there is a navigation bar with tabs for 'Status', '2.4GHz WiFi', '5GHz WiFi', and 'Toolbox'. A 'Change your language' dropdown menu is also visible. The main navigation bar includes 'Enable', 'Basic', 'Advanced', 'Security', 'ALL', and 'WiFi'. The 'Security' tab is selected. Below the navigation bar, there is a warning message: 'This page allows you setup the wireless security. Turn on WEP or WPA by using encryption keys could prevent any unauthorized access to your wireless network.' The configuration form includes the following fields: 'SSID Selection' (Sitecom1200), 'Broadcast SSID' (Enable), 'WMM' (Enable), 'Encryption' (WPA Pre-shared Key), 'WPA Type' (radio buttons for WPA2-TKIP, WPA2-PSK, and WPA2-Mixed, with WPA2-PSK selected), 'Pre-shared Key Type' (Hexadecimal), and 'Pre-shared Key' (a text input field containing '1111111111111111'). At the bottom right, there are 'Apply' and 'Cancel' buttons.

Disabled

When you select 'Disabled', wireless encryption for the network is disabled. This is not recommended.

Click <Apply> at the bottom of the screen to save the above configuration. You can now configure other sections by choosing Continue, or choose Apply to apply the settings and reboot the device.

WEP

Key Length You can select the WEP key length for encryption, 64-bit or 128-bit. The larger the key will be the higher level of security is used, but the throughput will be lower.

Key Format You may select ASCII Characters (alphanumeric format) or Hexadecimal Digits (in the "A-F", "a-f" and "0-9" range) to be the WEP Key.

Key1 - Key4 The WEP keys are used to encrypt data transmitted in the wireless network. Use the following rules to setup a WEP key on the device. 64-bit WEP: input 10-digits Hex values (in the "A-F", "a-f" and "0-9" range) or 5-digit ASCII character as the encryption keys. 128-bit WEP: input 26-digit Hex values (in the "A-F", "a-f" and "0-9" range) or 13-digit ASCII characters as the encryption keys.

Click <Apply> at the bottom of the screen to save the above configuration. You can now configure other sections by choosing Continue, or choose Apply to apply the settings and reboot the device.

WPA

WPA Unicast Cipher Suite

Available options are: WPA (TKIP), WPA2 (AES), and WPA2 Mixed. You can select one of them, but you have to make sure your wireless client supports the cipher you selected.

Pre-shared Key Format

Please select the format of pre-shared key here, available options are 'Passphrase' (8 to 63 alphanumerical characters) and 'Hex (64 hexadecimal characters - 0 to 9 and a to f).

Pre-shared Key

Please input pre-shared key according to the key format you selected here. For security reason, don't use simple words.

WPS

Wi-Fi Protected Setup (WPS) is the simplest way to establish a connection between the wireless clients and the wireless router. You don't have to select the encryption mode and fill in a long encryption passphrase every time when you try to setup a wireless connection. You only need to press a button on both wireless client and wireless router, and WPS will do the rest for you.

The Push button on the WLX-7000 has 2 functions:

Client mode: If you push the button for 0-5 seconds the device acts as a WPS enrollee. In this mode it's set to connect to your existing Wireless network. You have to push the button on your router within 2 minutes.

AP mode: If you push the button for 5-10 seconds the device acts as a WPS registrar. In this mode it's set to connect client devices to the WLX-7000. You have to push the button on the wireless client or in the utility of the wireless client within 2 minutes.

If you want to use the PIN code, you have to know the PIN code of the wireless client and switch it to WPS mode, then fill-in the PIN code of the wireless client through the web configuration interface of the wireless router.



Check the box to enable the WPS function and uncheck it to disable the WPS function.

WPS Current Status

If the wireless security (encryption) function of this wireless router is properly set, you'll see a 'Configured' message here. Otherwise, you'll see 'UnConfigured'.

Self Pin Code

This is the WPS PIN code of the wireless router. You may need this information when connecting to other WPS-enabled wireless devices.

SSID

This is the network broadcast name (SSID) of the router.

Authentication Mode

It shows the active authentication mode for the wireless connection.

Passphrase Key

It shows the passphrase key that is randomly generated by the wireless router during the WPS process. You may need this information when using a device which doesn't support WPS.

Mode

In Client mode the device is set to connect to your existing network. In Registrar mode the device is set to connect to your clients.

WPS via Push Button

Press the button to start the WPS process. The device will wait for the WPS request from the wireless devices within 2 minutes.

WPS via PIN

You can fill-in the PIN code of the wireless device and press the button to start the WPS process. The router will wait for the WPS request from the wireless device within 2 minutes.

Toolbox Settings

Firmware

If there is a new firmware available, you can upload the firmware to the device to get extra functions or problem fixes.



Click the 'Browse' button. You'll be prompted to provide the filename of the firmware upgrade file. Please download the latest firmware file from our website, and use it to upgrade your device.

After a firmware file is selected, click the 'Apply' button, and the device will start the firmware upgrade procedure automatically. The procedure may take several minutes, so please be patient.

Alternatively, press the 'Check for updates' button to allow the access point to check on the Sitecom update server for a new firmware.

NOTE: Never interrupt the upgrade procedure by closing the web browser or physically disconnecting your computer from the device.

Back-up

You can back up all configurations of this device to a file, so you can make several copies of access point configuration for security reasons.



Restore to Factory Default

Click this button to remove all settings you made and restore the configuration of this device back to factory default settings.

Backup Settings

Press 'Save...' button, and you'll be prompted to download the configuration as a file. The default filename is 'config.bin'. You can save it as another filename for different versions, and keep it in a safe place.

Restore Settings

Press 'Browse...' to pick a previously-saved configuration file from your computer, and then click 'Upload' to transfer the configuration file to the device. After the configuration is uploaded, the configuration will be replaced by the file you just uploaded.

Reset

When you think the device is not working properly, you can use this function to restart the device; this may help and solve the problem.



This function is useful when the device is far from you or unreachable. However, if the device is not responding, you may have to switch it off by unplugging the power plug and plugging it back again after 10 seconds.

Addendum A: GNU/GPL Information

Parts of the firmware of the WLX-7000 Wi-Fi AC1200 Gigabit Access Point are subject to the [GNU general public license](#).

Licensing Information

This product includes third-party software licensed under the terms of the [GNU General Public License](#). You can modify or redistribute this free software under the terms of the [GNU General Public License](#). Please see Appendix B for the exact terms and conditions of this license.

Specifically, the following part of this product is subject to the GNU GPL:

| # | Package | Source | version | GPL |
|----|----------------|---|----------|--------|
| 1 | Kernel version | https://www.kernel.org/ | 3.2.9 | GPL V2 |
| 2 | Busybox | http://www.busybox.net/downloads/ | 1.19.4 | GPL V2 |
| 3 | Mtd-util | http://www.filewatcher.com/m/mtd-utils-1.4.6.tar.gz.337429-0.html | 1.4.6 | GPL V2 |
| 4 | Bridge-utils | http://www.linuxfromscratch.org/blfs/view/svn/basicnet/bridge-utils.html | 1.5 | GPL V2 |
| 5 | Utelnetd | www.pengutronix.de/software/utelnetsd/download/ | 0.1.9 | GPLv2 |
| 6 | Ebtables | http://en.sourceforge.jp/projects/sfnet_ebtables/downloads/ebtables/ebtables-2-0-10-4/ebtables-v2.0.10-4.tar.gz/ | 2.0.10 | GPLv2 |
| 7 | Iproute2 | http://pkgs.fedoraproject.org/repo/pkgs/iproute/iproute2-2.6.39.tar.gz/8a3b6bc77c2ecf752284aa4a6fc630a6/ | 2.6.39 | GPLv2 |
| 8 | Ntpclient | http://doolittle.icarus.com/ntpclient/ | 2010-365 | GPLv2 |
| 9 | Udhcp | http://freecode.com/projects/udhcp | 0.9.9 | GPLv2 |
| 10 | Dnsmasq | http://www.thekelleys.org.uk/dnsmasq/ | 2.59 | GPLv2 |
| 11 | iptables | http://www.netfilter.org/projects/iptables/downloads.html | 1.4.13 | GPLv2 |
| 12 | uClibc | http://www.uclibc.org/ | 0.9.33.2 | LGPL |
| 13 | Libcgi | http://sourceforge.net/projects/libcgi/ | 1.0 | LGPL |
| 14 | libdaemon | http://www.filewatcher.com/m/libdaemon-0.14.tar.gz.52-0.html | 0.14 | LGPL |

Availability of source code

This product contains open source software, including software licensed under the GNU General Public License (GPL) v2/v3 and/or the Lesser/Library General Public License (LGPL) v2/2.1/3 as specified in the "Licensing Information" available above. As per the license terms of these licenses Sitecom Europe B.V. offers to send you the source code for the open source components in this product on a CD/DVD for up to three years after support for this product has stopped for a charge of EUR 10. Please note that the source code of the firmware might already be on the support CD/DVD that is shipped with your product.

To get a copy of the software, please send an e-mail to gpl-request@sitecom.com or write to Sitecom Europe B.V., P.O. Box 12040, 3004GA Rotterdam, The Netherlands. Please specify the device type and version number when contacting us to ensure smooth handling of your request. For your convenience you may also find the source code for the latest supported firmware version on the product's website during the time the product is supported. If you cannot find the source code for the relevant firmware please contact us.

No Warranty

The free software included in this product is distributed in the hope that it will be useful, but WITHOUT ANY LIABILITY OF OR ANY WARRANTY FROM THE LICENSOR.

GNU GENERAL PUBLIC LICENSE

Version 2, June 1991 Copyright (C) 1989, 1991 Free Software Foundation, Inc. 59 Temple Place - Suite 330, Boston, MA 02111-1307, USA Everyone is permitted to copy and distribute verbatim copies of this license document, but changing it is not allowed.

Preamble

The licenses for most software are designed to take away your freedom to share and change it. By contrast, the GNU General Public License is intended to guarantee your freedom to share and change free software--to make sure the software is free for all its users. This General Public License applies to most of the Free Software Foundation's software and to any other program whose authors commit to using it. (Some other Free Software Foundation software is covered by the GNU Library General Public License instead.) You can apply it to your programs, too. When we speak of free software, we are referring to freedom, not price. Our General Public Licenses are designed to make sure that you have the freedom to distribute copies of free software (and charge for this service if you wish), that you receive source code or can get it if you want it, that you can change the software or use pieces of it in new free programs; and that you know you can do these things. To protect your rights, we need to make restrictions that forbid anyone to deny you these rights or to ask you to surrender the rights. These restrictions translate to certain responsibilities for you if you distribute copies of the software, or if you modify it. For example, if you distribute copies of such a program, whether gratis or for a fee, you must give the recipients all the rights that you have. You must make sure that they, too, receive or can get the source code. And you must show them these terms so they know their rights. We protect your rights with two steps: (1) copyright the software, and (2) offer you this license which gives you legal permission to copy, distribute and/or modify the software. Also, for each author's protection and ours, we want to make certain that everyone understands that there is no warranty for this free software. If the software is modified by someone else and passed on, we want its recipients to know that what they have is not the original, so that any problems introduced by others will not reflect on the original authors' reputations. Finally, any free program is threatened constantly by software patents. We wish to avoid the danger that redistributors of a free program will individually obtain patent licenses, in effect making the program proprietary. To prevent this, we have made it clear that any patent must be licensed for everyone's free use or not licensed at all. The precise terms and conditions for copying, distribution and modification follow.

TERMS AND CONDITIONS FOR COPYING, DISTRIBUTION AND MODIFICATION

0. This License applies to any program or other work which contains a notice placed by the copyright holder saying it may be distributed under the terms of this General Public License. The "Program", below, refers to any such program or work, and a "work based on the Program" means either the Program or any derivative work under copyright law: that is to say, a work containing the Program or a portion of it, either verbatim or with modifications and/or translated into another language. (Hereinafter, translation is included without limitation in the term "modification".) Each licensee is addressed as "you". Activities other than copying, distribution and modification are not covered by this License; they are outside its scope. The act of running the Program is not restricted, and the output from the Program is covered only if its contents constitute a work based on the Program (independent of having been made by running the Program). Whether that is true depends on what the Program does.

1. You may copy and distribute verbatim copies of the Program's source code as you receive it, in any medium, provided that you conspicuously and appropriately publish on each copy an appropriate copyright notice and disclaimer of warranty; keep intact all the notices that refer to this License and to the absence of any warranty; and give any other recipients of the Program a copy of this License along with the Program. You may charge a fee for the physical act of transferring a copy, and you may at your option offer warranty protection in exchange for a fee.

2. You may modify your copy or copies of the Program or any portion of it, thus forming a work based on the Program, and copy and distribute such modifications or work under the terms of Section 1 above, provided that you also meet all of these conditions: a) You must cause the modified files to carry prominent notices stating that you changed the files and the date of any change. b) You must cause any work that you distribute or publish, that in whole or in part contains or is derived from the Program or any part thereof, to be licensed as a whole at no charge to all third parties under the terms of this License. c) If the modified program normally reads commands interactively when run, you must cause it, when started running for such interactive use in the most ordinary way, to print or display an announcement including an appropriate copyright notice and a notice that there is no warranty (or else, saying that you provide a warranty) and that users may redistribute the program under these conditions, and telling the user how to view a copy of this License. (Exception: if the Program itself is interactive but does not normally print such an announcement, your work based on the Program is not required to print an announcement.) These requirements apply to the modified work as a whole. If identifiable sections of that work are not derived from the Program, and can be reasonably considered independent and separate works in themselves, then this License, and its terms, do not apply to those sections when you distribute them as separate works. But when you distribute the same sections as part of a whole which is a work based on the Program, the distribution of the whole must be on the terms of this License, whose permissions for other licensees extend to the entire whole, and thus to each and every part regardless of who wrote it. Thus, it is not the intent of this section to claim rights or contest your rights to work written entirely by you; rather, the intent is to exercise the right to control the distribution of derivative or collective works based on the Program. In addition, mere aggregation of another work not based on the Program with the Program (or with a work based on the Program) on a volume of a storage or distribution medium does not bring the other work under the scope of this License.

3. You may copy and distribute the Program (or a work based on it, under Section 2) in object code or executable form under the terms of Sections 1 and 2 above provided that you also do one of the following: a) Accompany it with the complete corresponding machine-readable source code, which must be distributed under the terms of Sections 1 and 2 above on a medium customarily used for software interchange; or, b) Accompany it with a written offer, valid for at least three years, to give any third party, for a charge no more than your cost of physically performing source distribution, a complete machine-readable copy of the corresponding source code, to be distributed under the terms of Sections 1 and 2 above on a medium customarily used for software interchange; or, c) Accompany it with the information you received as to the offer to distribute corresponding source code. (This alternative is allowed only for noncommercial distribution and only if you received the program in object code or executable form with such an offer, in accord with Subsection b above.) The source code for a work means the preferred form of the work for making modifications to it. For an executable work, complete source code means all the source code for all modules it contains, plus any associated interface definition files, plus the scripts used to control compilation and installation of the executable. However, as a special exception, the source code distributed need not include anything that is normally distributed (in either source or binary form) with the major components (compiler, kernel, and so on) of the operating system on which the executable runs, unless that component itself accompanies the executable. If distribution of executable or object code is made by offering access to copy from a designated place, then offering equivalent access to copy the source code from the same place counts as distribution of the source code, even though third parties are not compelled to copy the source along with the object code.

4. You may not copy, modify, sublicense, or distribute the Program except as expressly provided under this License. Any attempt otherwise to copy, modify, sublicense or distribute the Program is void, and will automatically terminate your rights under this License. However, parties who have received copies,

or rights, from you under this License will not have their licenses terminated so long as such parties remain in full compliance.

5. You are not required to accept this License, since you have not signed it. However, nothing else grants you permission to modify or distribute the Program or its derivative works. These actions are prohibited by law if you do not accept this License. Therefore, by modifying or distributing the Program (or any work based on the Program), you indicate your acceptance of this License to do so, and all its terms and conditions for copying, distributing or modifying the Program or works based on it.

6. Each time you redistribute the Program (or any work based on the Program), the recipient automatically receives a license from the original licensor to copy, distribute or modify the Program subject to these terms and conditions. You may not impose any further restrictions on the recipients' exercise of the rights granted herein. You are not responsible for enforcing compliance by third parties to this License.

7. If, as a consequence of a court judgment or allegation of patent infringement or for any other reason (not limited to patent issues), conditions are imposed on you (whether by court order, agreement or otherwise) that contradict the conditions of this License, they do not excuse you from the conditions of this License. If you cannot distribute so as to satisfy simultaneously your obligations under this License and any other pertinent obligations, then as a consequence you may not distribute the Program at all. For example, if a patent license would not permit royalty-free redistribution of the Program by all those who receive copies directly or indirectly through you, then the only way you could satisfy both it and this License would be to refrain entirely from distribution of the Program. If any portion of this section is held invalid or unenforceable under any particular circumstance, the balance of the section is intended to apply and the section as a whole is intended to apply in other circumstances. It is not the purpose of this section to induce you to infringe any patents or other property right claims or to contest validity of any such claims; this section has the sole purpose of protecting the integrity of the free software distribution system, which is implemented by public license practices. Many people have made generous contributions to the wide range of software distributed through that system in reliance on consistent application of that system; it is up to the author/donor to decide if he or she is willing to distribute software through any other system and a licensee cannot impose that choice. This section is intended to make thoroughly clear what is believed to be a consequence of the rest of this License.

8. If the distribution and/or use of the Program is restricted in certain countries either by patents or by copyrighted interfaces, the original copyright holder who places the Program under this License may add an explicit geographical distribution limitation excluding those countries, so that distribution is permitted only in or among countries not thus excluded. In such case, this License incorporates the limitation as if written in the body of this License.

9. The Free Software Foundation may publish revised and/or new versions of the General Public License from time to time. Such new versions will be similar in spirit to the present version, but may differ in detail to address new problems or concerns. Each version is given a distinguishing version number. If the Program specifies a version number of this License which applies to it and "any later version", you have the option of following the terms and conditions either of that version or of any later version published by the Free Software Foundation. If the Program does not specify a version number of this License, you may choose any version ever published by the Free Software Foundation.

10. If you wish to incorporate parts of the Program into other free programs whose distribution conditions are different, write to the author to ask for permission. For software which is copyrighted by the Free Software Foundation, write to the Free Software Foundation; we sometimes make exceptions for this. Our decision will be guided by the two goals of preserving the free status of all derivatives of our free software and of promoting the sharing and reuse of software generally.

NO WARRANTY

11. Because the program is licensed free of charge, there is no warranty for the program, to the extent permitted by applicable law. Except when otherwise stated in writing the copyright holders and/or other parties provide the program "as is" without warranty of any kind, either expressed or implied, including, but not limited to, the implied warranties of merchantability and fitness for a particular purpose. The entire risk as to the quality and performance of the program is with you. Should the program prove defective, you assume the cost of all necessary servicing, repair or correction.

12. In no event unless required by applicable law or agreed to in writing will any copyright holder, or any other party who may modify and/or redistribute the program as permitted above, be liable to you for damages, including any general, special, incidental or consequential damages arising out of the use or inability to use the program (including but not limited to loss of data or data being rendered inaccurate or losses sustained by you or third parties or a failure of the program to operate with any other programs), even if such holder or other party has been advised of the possibility of such damages.

END OF TERMS AND CONDITIONS

Revision 1.0
© Sitecom Europe BV 2016

Note: All the information contained in this manual was correct at the time of publication.

However, as our engineers are always updating and improving the product, your device's software may have a slightly different appearance or modified functionality than presented in this manual.