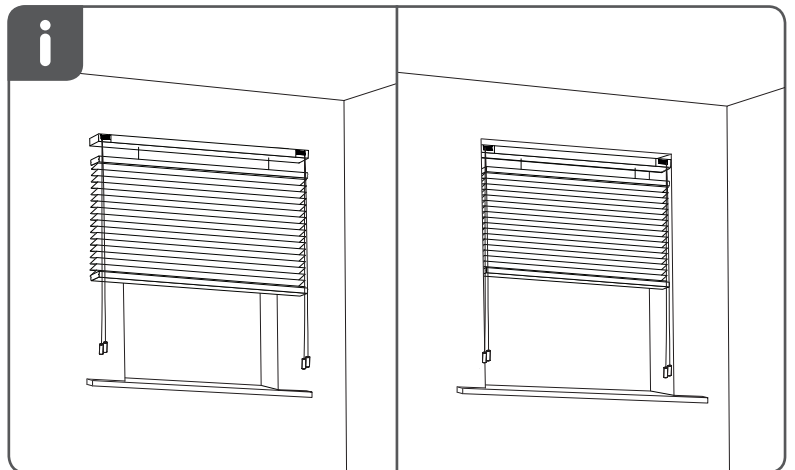
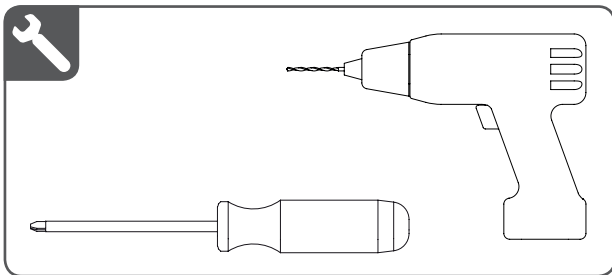
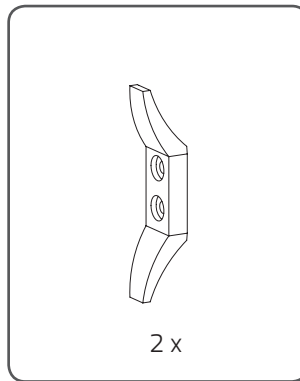
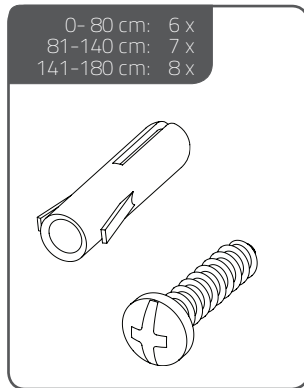
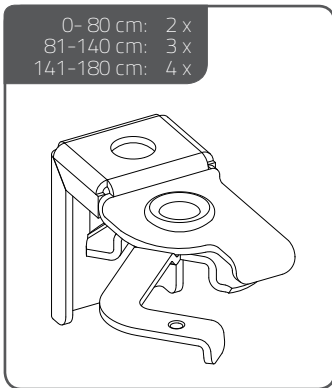
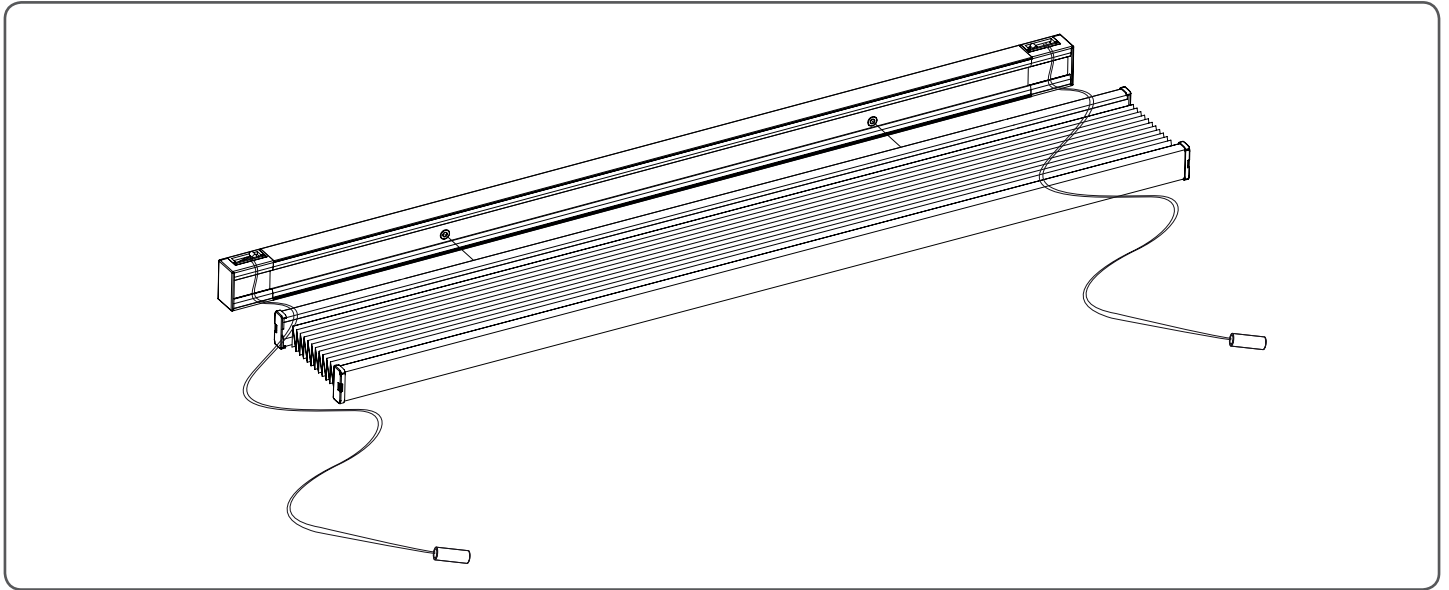


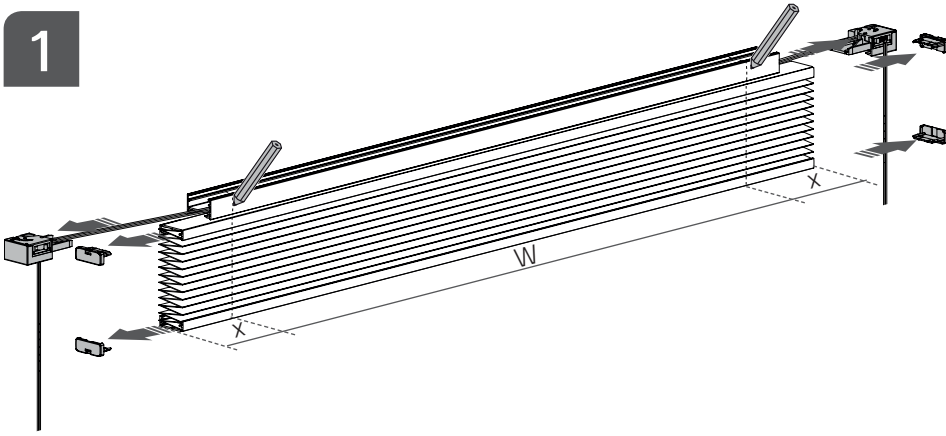


Assembly guidance Pleated Cordlock

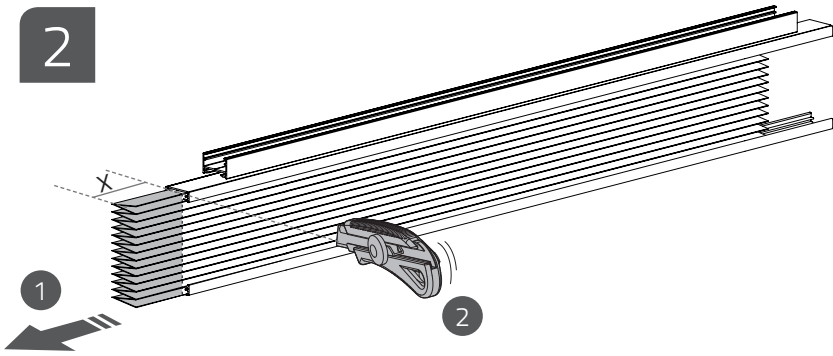




1



2



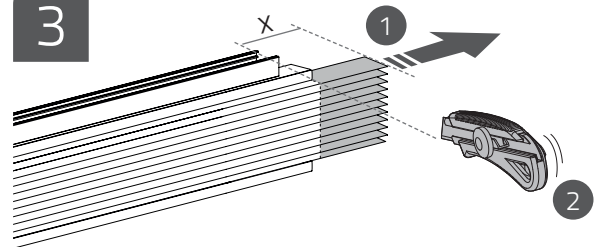
i

W

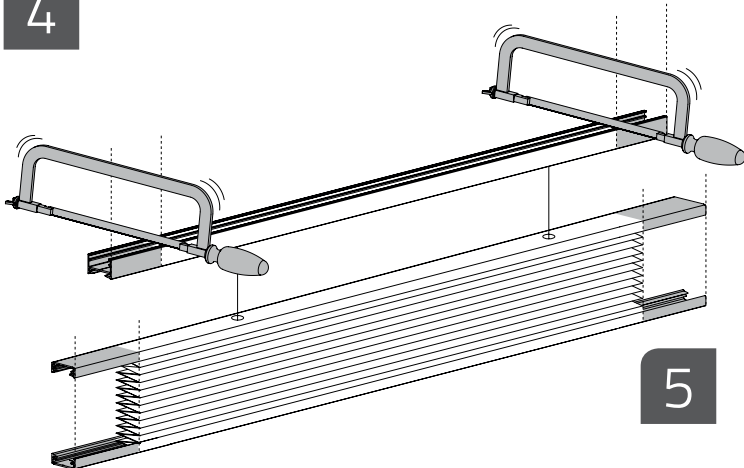
W

W	X max	W min
400	40	320
600	110	380
800	110	580
1000	110	780
1200	110	980
1400	110	1180
1600	110	1380

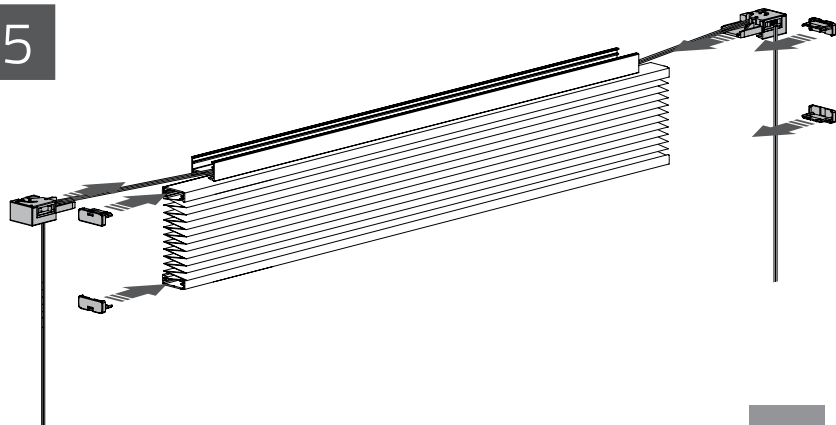
3



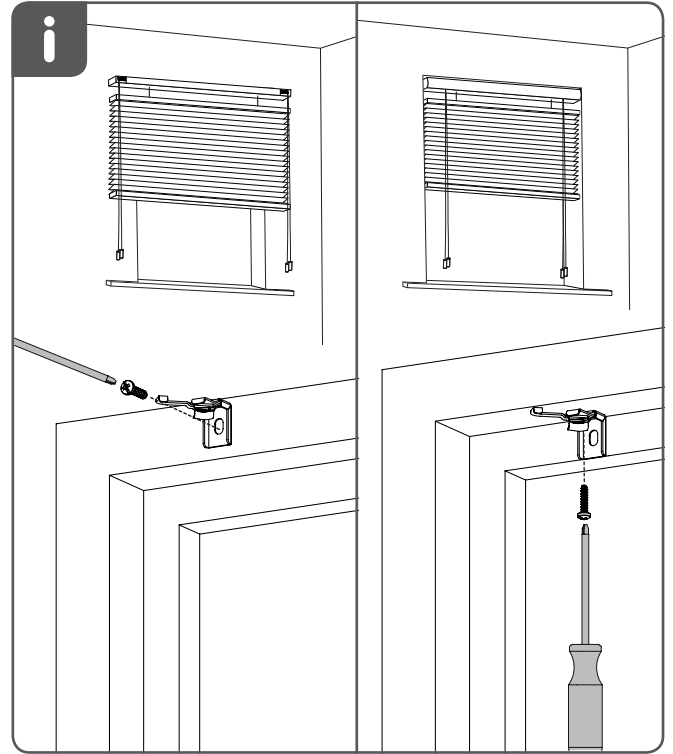
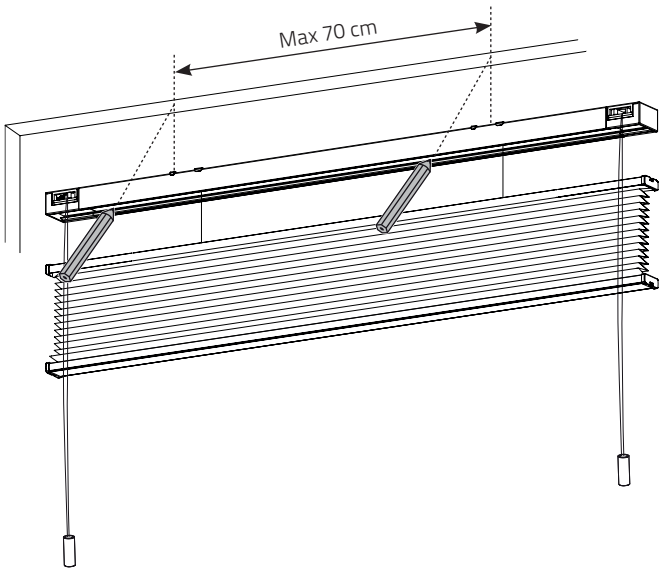
4



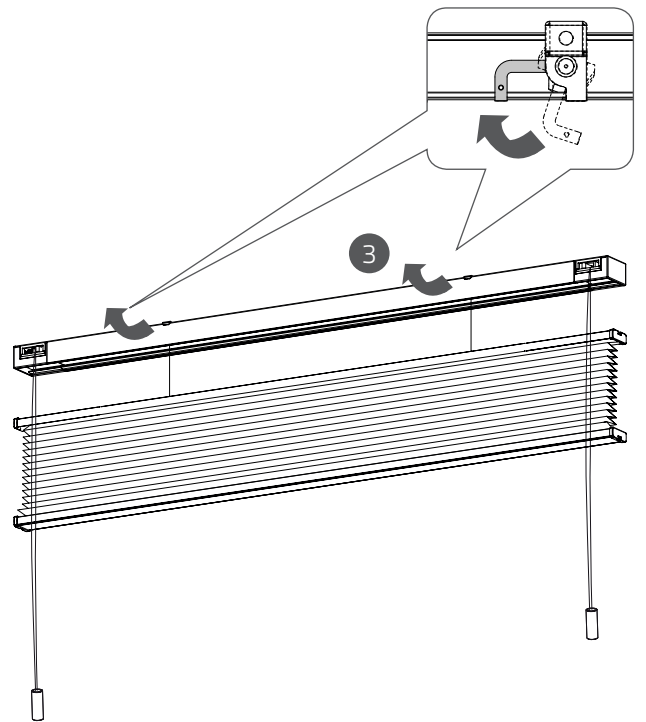
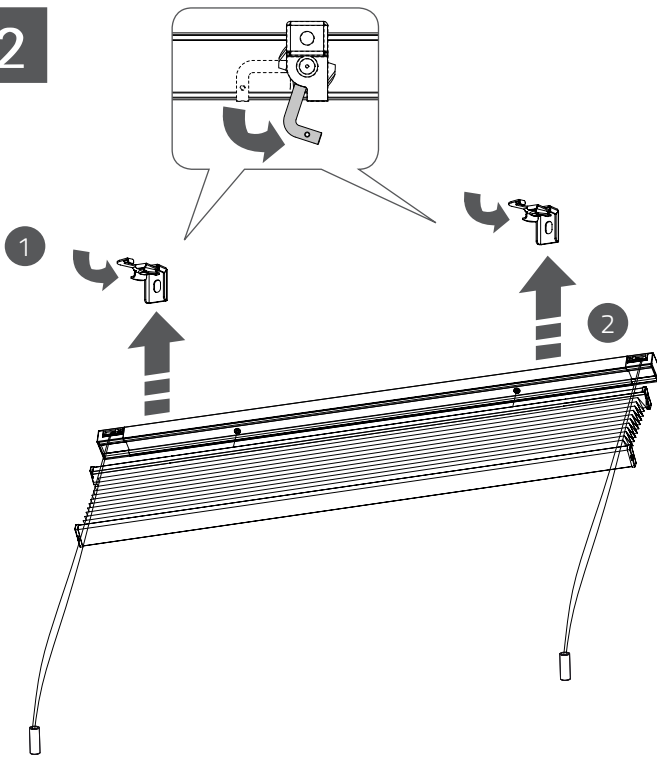
5



1



2



i

