



Installation and mounting manual for EK-DDC Heatsink Housing

This product is intended for installation only by expert users. Please consult with a qualified technician for installation. Improper installation may result in damage to your equipment. EK Water Blocks assumes no liability whatsoever, expressed or implied, for the use of these products, nor their installation. The following instructions are subject to change without notice. Please visit our web site at www.ekwb.com for updates. Before installation of this product please read important notice, disclosure and warranty conditions printed on the back of the box.

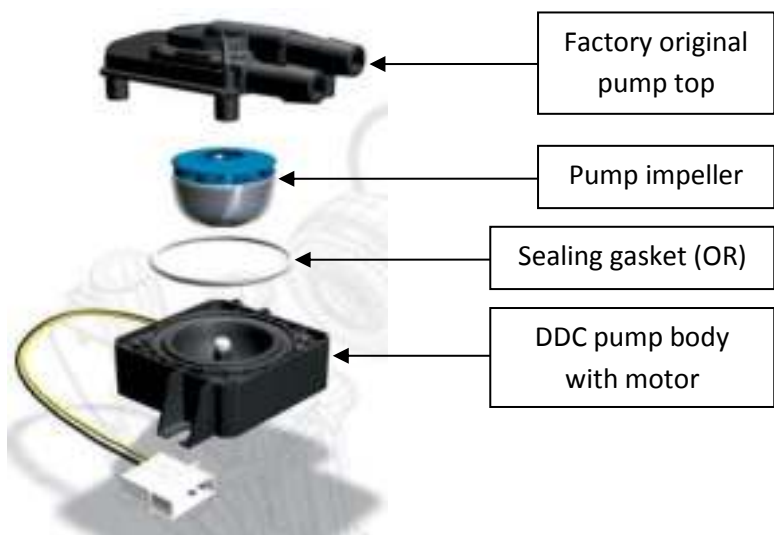
Before you start using this product please follow these basic guidelines:

1. Please carefully read the manual before through before beginning with the installation process!
2. The EK High Flow and EK-PSC type fittings require only a small amount of force to screw them firmly in place since the liquid seal is ensured by the rubber o-ring gaskets.
3. The use of corrosion inhibiting coolants is always recommended for any liquid cooling system.

STEP 1: PREPARING THE PUMP

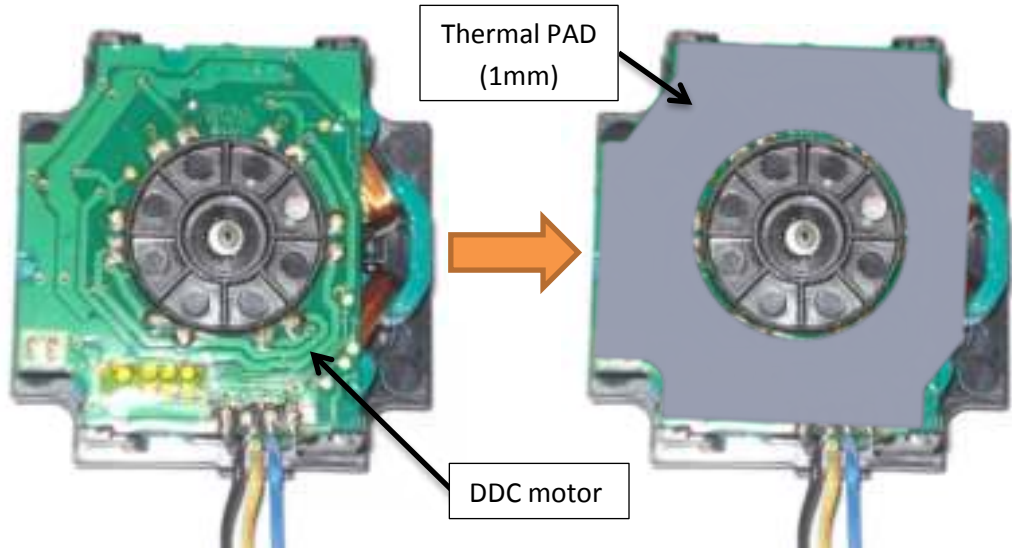
Unscrew the four (4) screws that attaches the pump's original factory top and the main pump core housing with motor. Store these four screws as well as factory pump top in a safe place.

Remember to keep the original o-ring gasket!

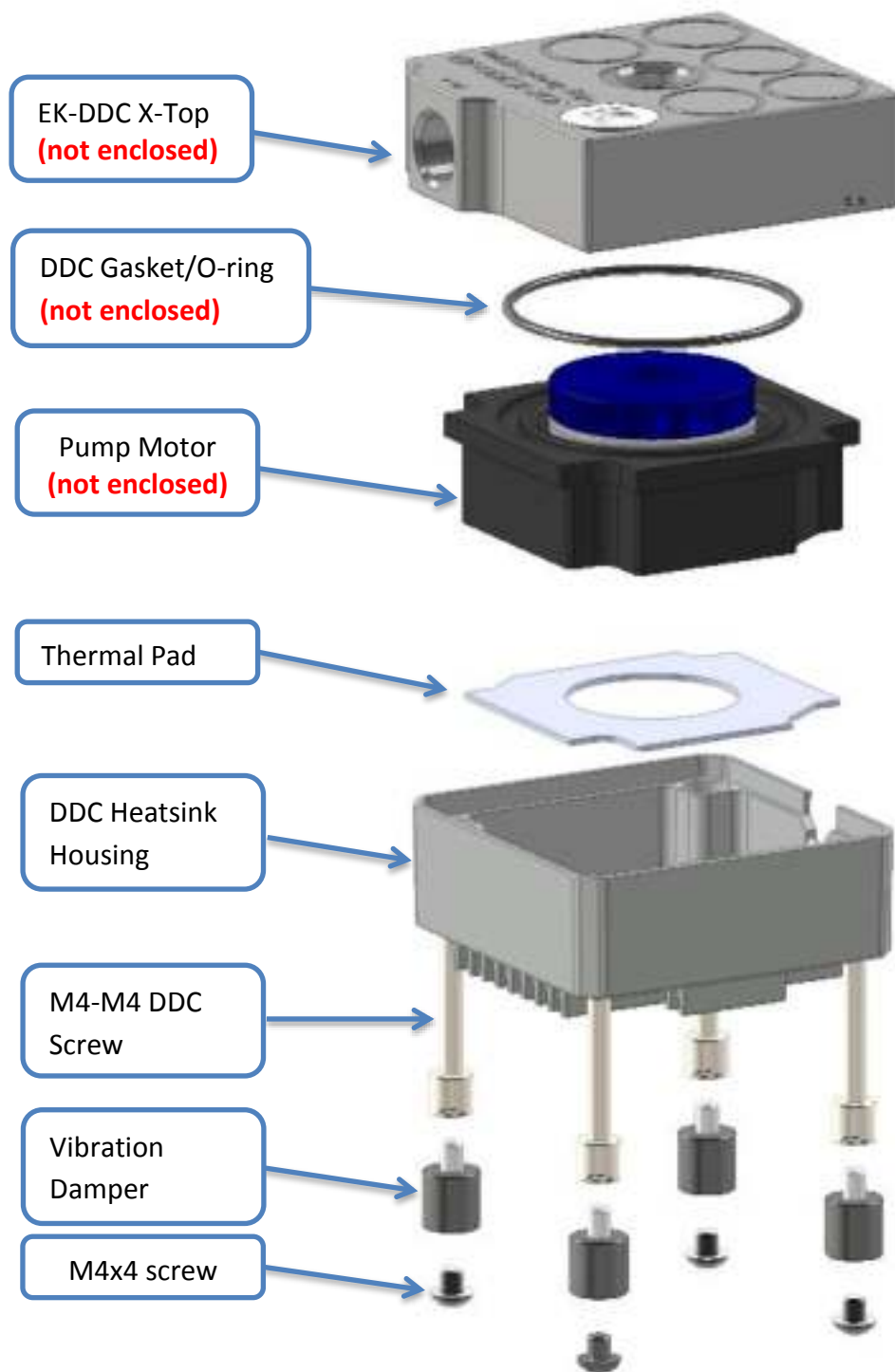


STEP 2: INSTALLING THE THERMAL PAD

1. Remove DDC water pump motor from the stock housing.
2. Remove protection films from both sides of the thermal pad and place it on the on the PCB. Make sure the outlines are aligned with the shape of the circuit board (PCB).

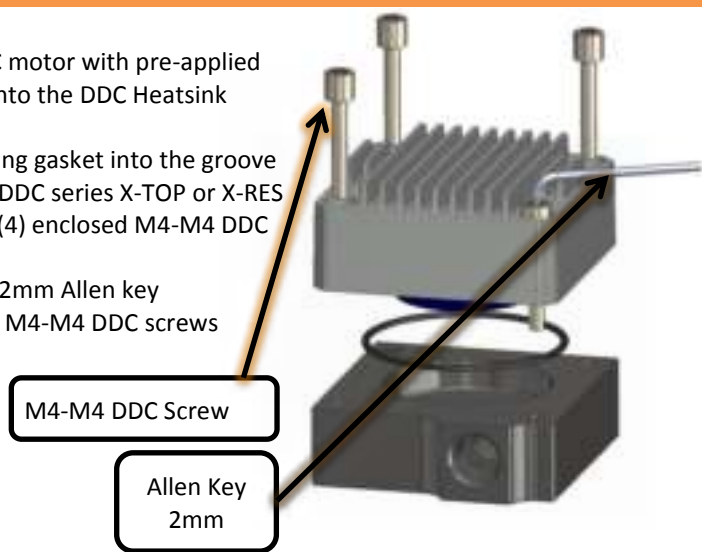


SAMPLE INSTALLATION OVERVIEW - EK-DDC X-TOP WITH HEATSINK H.



STEP 3: INSTALLING DDC HEATSINK HOUSING

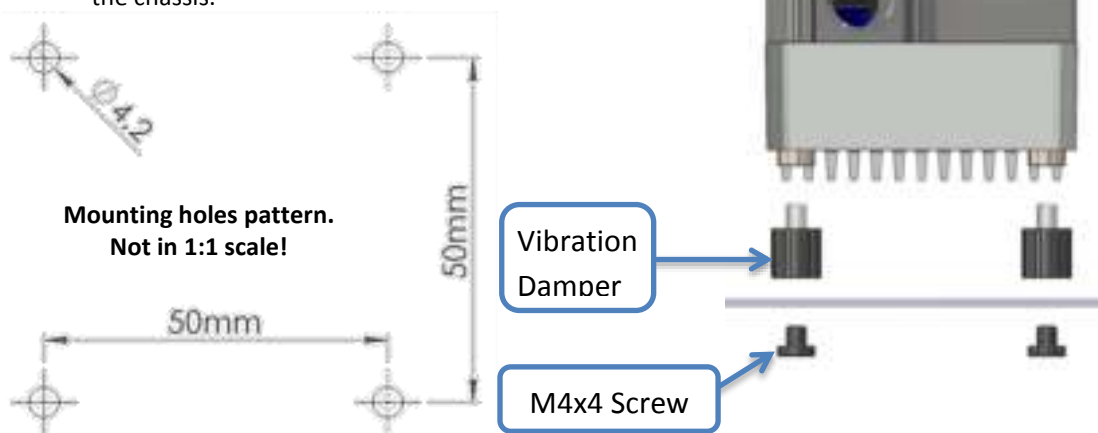
1. Place the DDC motor with pre-applied thermal pad into the DDC Heatsink Housing
2. Place the O-Ring gasket into the groove
3. Install the EK-DDC series X-TOP or X-RES by using four (4) enclosed M4-M4 DDC screws.
4. Use enclosed 2mm Allen key to tighten the M4-M4 DDC screws



STEP 4: INSTALLING THE ASSEMBLY

The assembly can be mounted on any flat surface inside your computer chassis. One must drill four (4) 4.2mm holes using powerdrill in a 50x50mm square pattern. Please follow these steps:

1. Screw on Vibration Dampers on Custom DDC Screws
2. Drill four (4) 4.2mm holes into the chassis
3. Use enclosed M4x4mm screws to secure the pump to the chassis.



IMPORTANT DISCLOSURES:

VERY IMPORTANT NOTICE: Once the installation is completed, it is a recommended practice to test the cooling circuit for leaks prior to powering up the computer. We highly recommend a 24 hour leak test prior to powering up the computer. Do not test the water block using tap water pressure. This will rupture the top of the housing and render the block unusable (and will void your warranty). While all efforts have been made to provide the most comprehensive tutorial possible, EK Water Blocks assumes no liability expressed or implied for any consequential damage(s) occurring to your equipment as a result of using EK Water Blocks cooling products, either due to errors or omissions on our part in the above instructions, or due to failure or defect in the EK Water Blocks cooling products.

WARRANTY: Our products are warranted against defects in materials or workmanship for a period of 24 months beginning from the date of delivery to the final user. During this period, products will be repaired or have parts replaced at our discretion provided that: (I) the product is returned to the agent from whom it was purchased; (II) the product has been purchased by an end user and has not used for commercial purposes; (III) the product has not been misused, handled carelessly, or used in a manner other than in accordance with the instructions provided describing its installation and proper use. This warranty does not confer rights other than those expressly set out above and does not cover any claims for consequential loss or damage. This warranty is offered as an extra benefit and does not affect your statutory rights as a consumer. This warranty is voided if the product comes in contact with aggressive UV additives or other improper liquids.

Any RMA claims are to be solved through our online support ticket system: www.ekwb.com/support.

REQUIRED TOOLS: Power drill with 4.2mm drill bit