

Keen Ranger PT

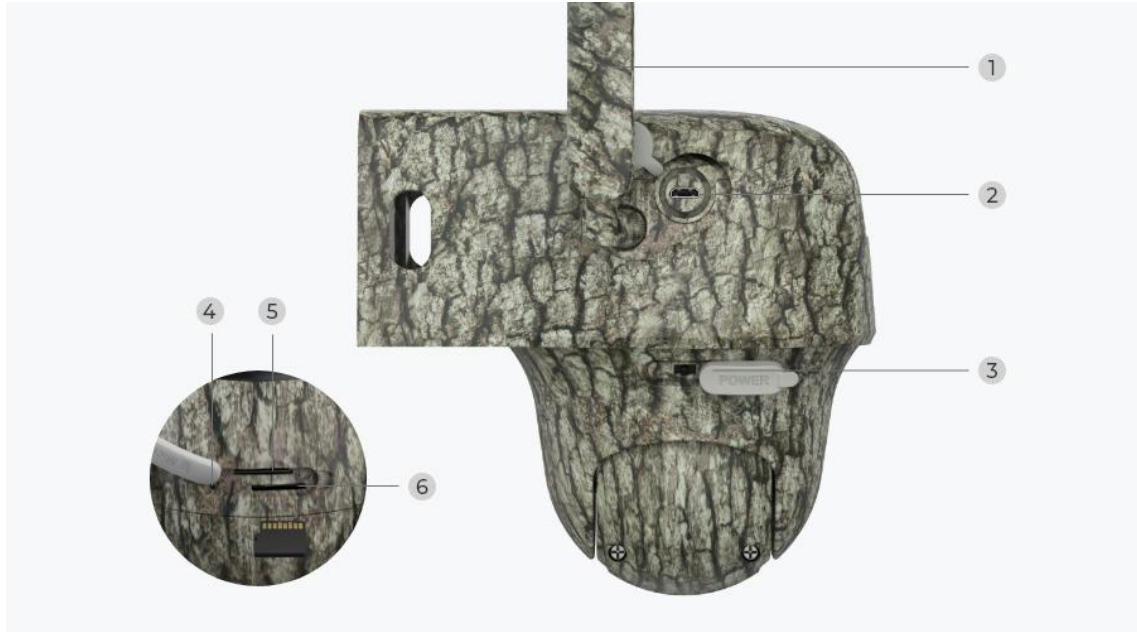
KEEN Ranger PT is a great trail camera that packs a heck of fantastic features and can be afforded by everyone. It's proved to be an ideal choice for hunters and wildlife observers with high performance!

This pan-tilt trail camera can offer a 360° view and cover more areas than ever. With a few clicks on the App, you can manually adjust its angle and then see what ever you want.

1. Specs



1	Speaker
2	940nm IR LEDs
3	Status LED
4	Built-in PIR Sensor
5	Built-in Mic
6	Lens
7	Daylight Sensor



1	Antenna
2	Micro USB Port
3	Power Switch
4	Reset Hole
5	Nano SIM Card Slot
6	Micro SD Card Slot

Status Light

Note:

If the camera connects the network successfully, there will be no status LED light up during idle mode.

Status Light	Camera Status
Red LED solid light up then starts to flash	Camera cannot recognize the SIM card or there is PIN code of the SIM card.
Red LED solid light up then flash slowly about once every second	Camera cannot register the mobile carrier network.

Red LED solid light up then flash quickly about 3 times in 1s	Data call failed or requires to input the APN.
Red LED solid light up then blue LED starts to flash and goes off completely	Network connection failed.
Red LED solid light up then blue LED starts to flash and solid light up	Network connection succeed.

2. Setup and Install

Set up the Camera

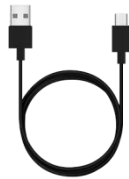
What's in the Box

Note: The package content may vary and update with different version and platforms, please take the below information only for a reference. And the actual package content are subject to the latest information on the product selling page.

Keen Ranger PT



Keen Ranger PT*1



USB Cable*1



Quick Start Guide*1



Keen Solar Panel*1



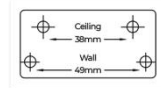
Bracket *1



Pack of Screws*1



Mounting Template *1



Reset Needle*1

Activate the SIM Card for the Camera

The SIM card shall support WCDMA and FDD LTE.

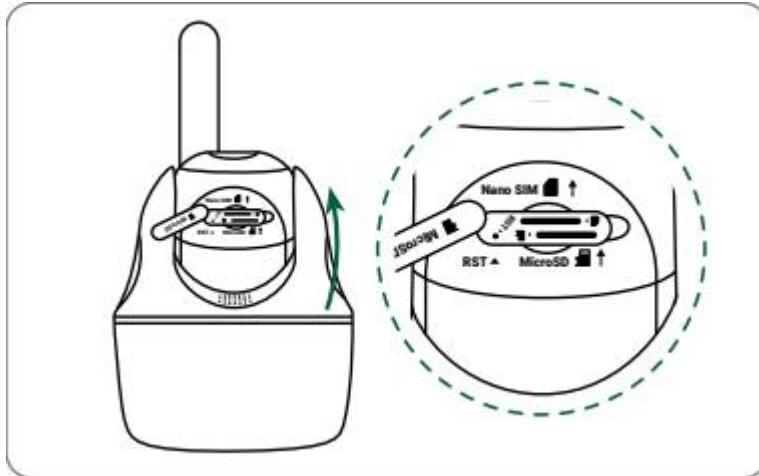
Activate the card on your smartphone or with your network carrier before inserting it into the camera.

Notes:

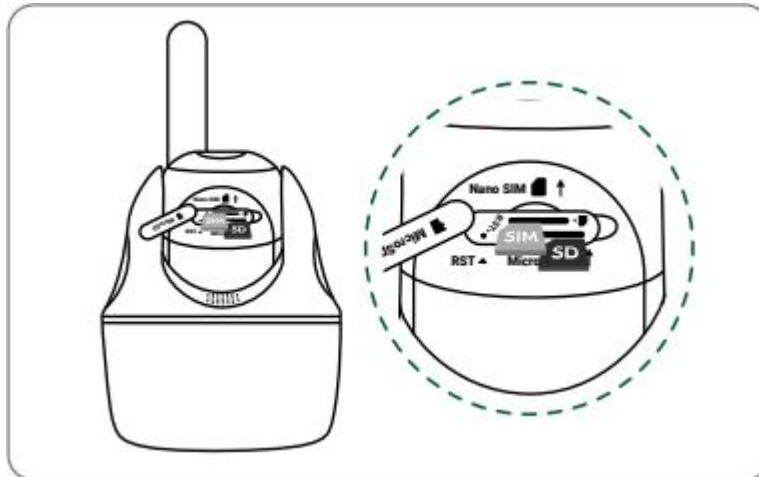
- Some SIM cards have a PIN code, please use your smartphone to disable the PIN first.
- Do not insert the IoT or M2M SIM card into your smartphone.

Install the SIM Card

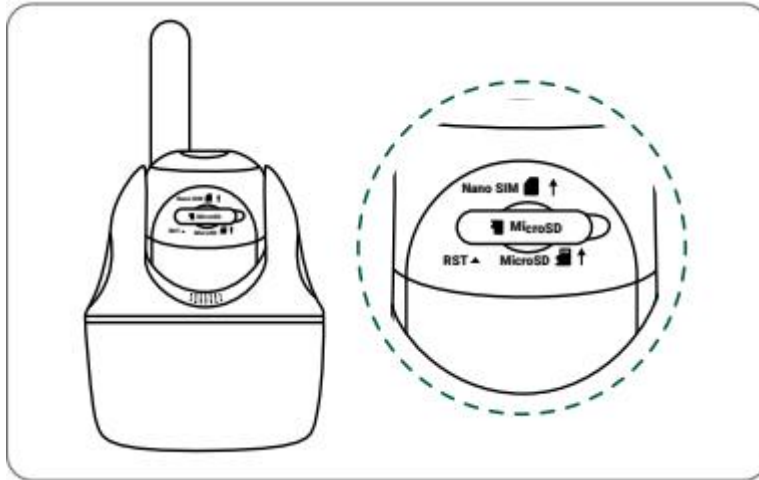
1. Rotate the camera lens, and remove the rubber cover.



2. Insert the SIM card.



3. With these done, press the rubber cover firmly for better waterproof performance.

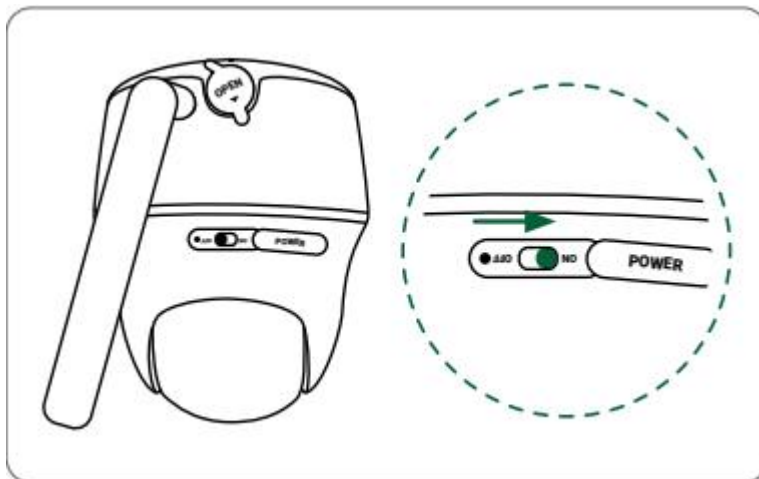


Notes:

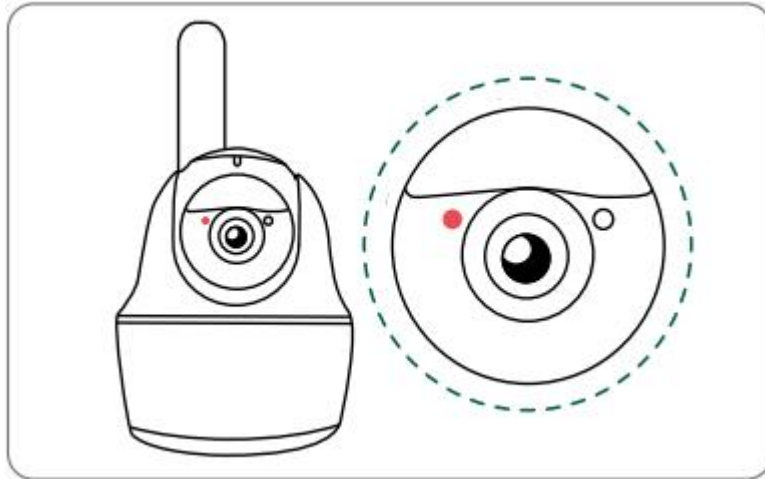
- The SIM card slot is above the SD card slot. When inserting the SIM card in, remember that the gold contacts shall face down and you need to push the trimmed corner inside the camera.
- The SD card slot is below the SIM card slot. When inserting the SD card in, remember that gold contacts shall face up.

Connect to the Mobile Carrier Network

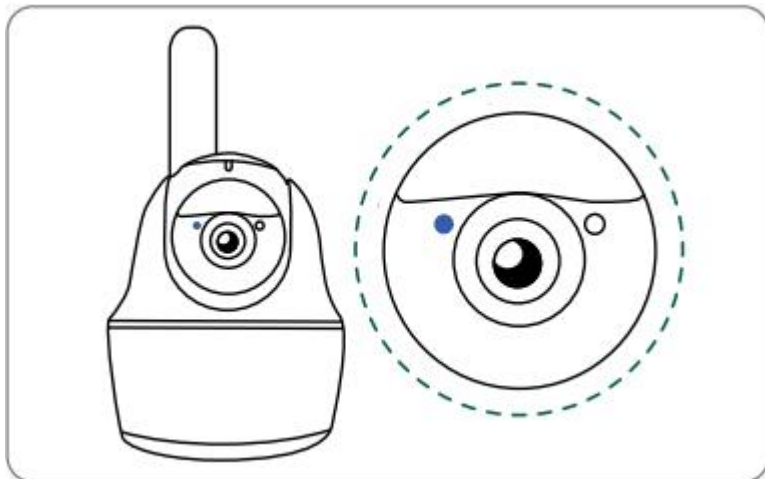
1. With the SIM card inserted, you can turn on the camera.



2. Wait a few seconds and a red light will be on and solid for a couple of seconds. Then, it will go out.



3. A blue LED will flash for a few seconds and then go solid before going out. You will hear a voice prompt "Network connection succeeded", which means the camera has been successfully connected to the network.



Note:

You may also run into the following situations:

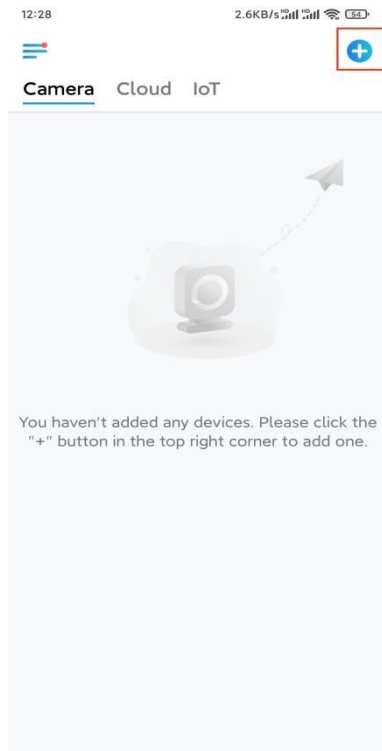
No.	Voice Prompts	Camera Status	Solutions
1	"SIM card cannot be recognized"	Camera cannot recognize this SIM card.	1. Check if the SIM card is facing the reverse direction. 2. Check if the SIM card is not fully inserted and insert it again.
2	"The SIM card is locked with a PIN. Please disable it"	Camera cannot recognize this SIM card.	Put the SIM card into your mobile phone and disable the PIN.

3	“Not registered on network. Please activate your SIM card and check the signal strength”	Camera fails to register to the operator network.	<ol style="list-style-type: none"> 1. Check whether your card is activated or not. If not, please call your operator to activate the SIM card. 2. The signal is weak at the current position. Please move the camera to a location with better signal. 3. Check if you are using the correct version of the camera.
4	“Network connection failed”	Camera fails to connect to the server.	The camera will be in standby mode and reconnect later.
5	“Data call failed. Please confirm your cellular data plan is available or import the APN settings”	The SIM card has run out of data or APN settings are not correct.	<ol style="list-style-type: none"> 1. Please check whether the data plan for the SIM card is still available. 2. Import the correct APN settings to the camera.

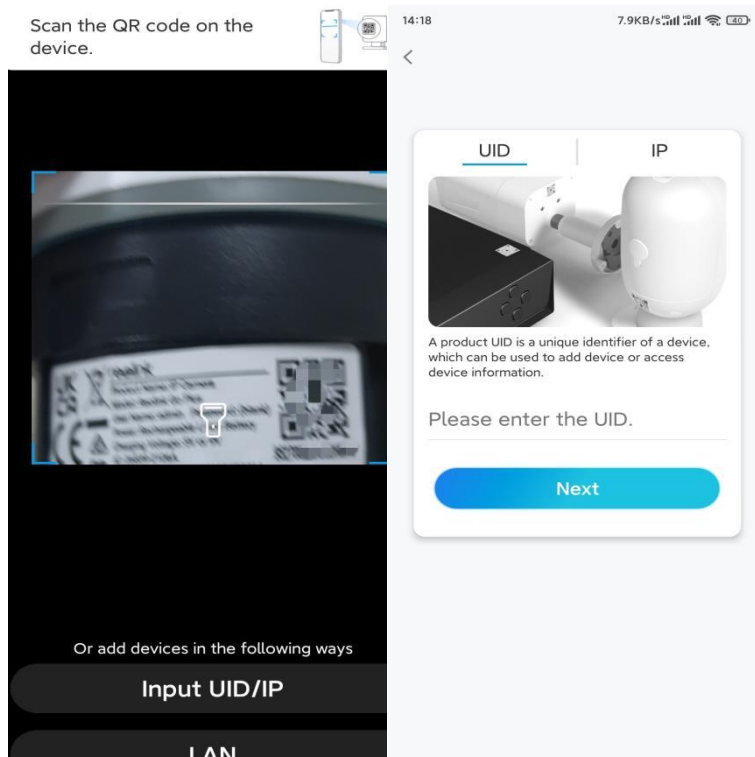
Set up the Camera on the App

Please follow the steps below to do initial setup for the battery-powered cameras via Reolink App.

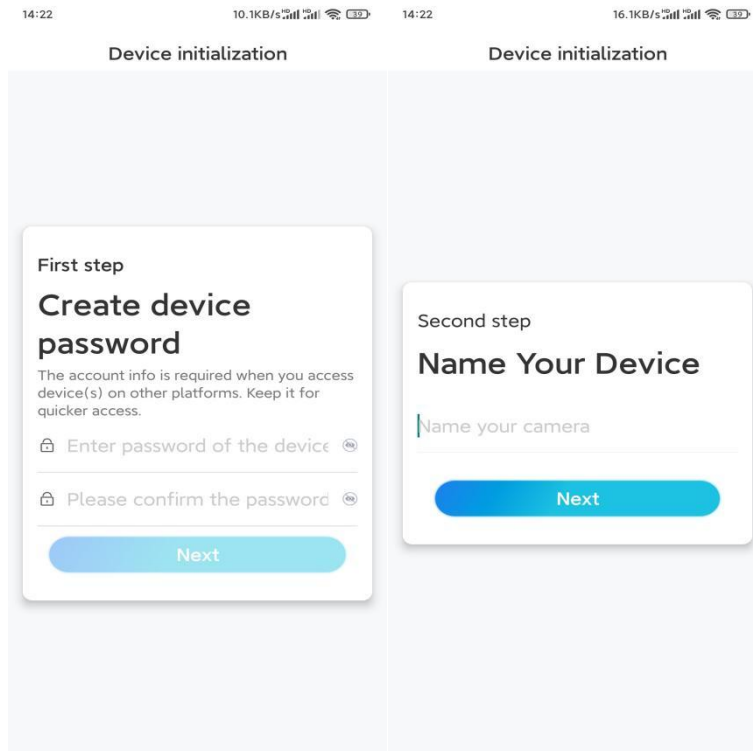
Step 1. Tap the icon  in the top right corner to add the camera.



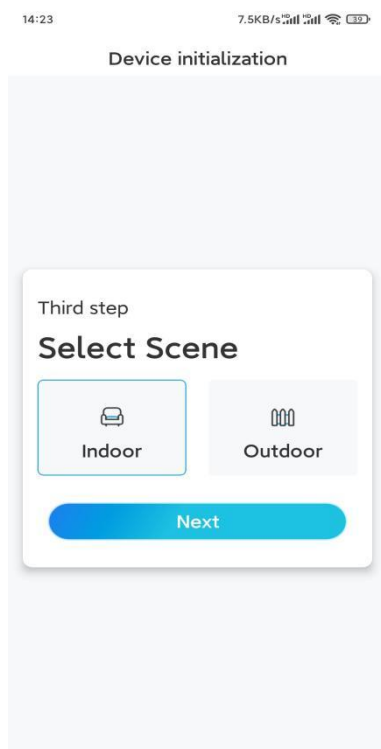
Step 2. Scan the QR code on the back of the camera. If the phone doesn't respond, please tap **Input UID/IP** below the scan window, and then enter the 16-digit UID number under the QR code of the camera.



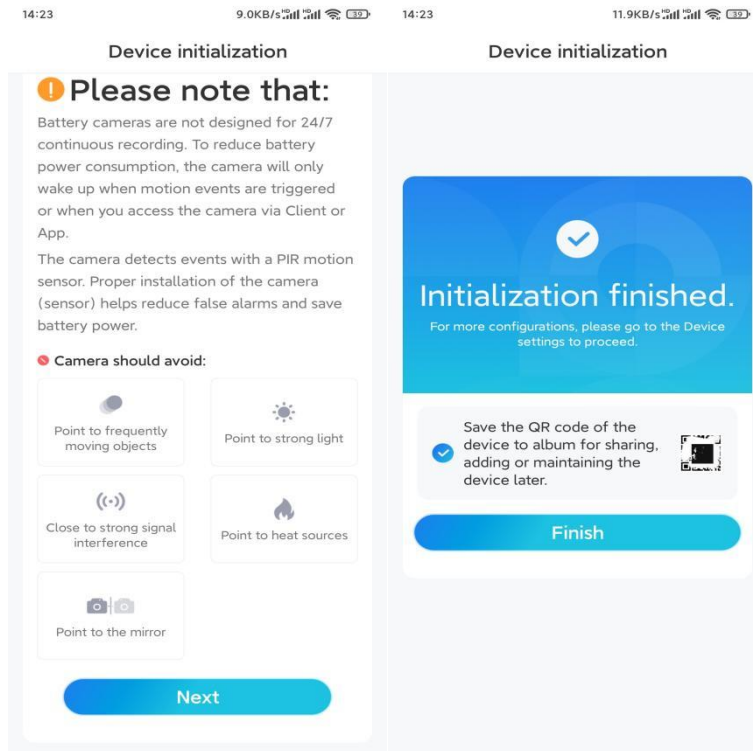
Step 3. Create the login password and name your camera. Then tap **Next**.



Step 4. Select a scene according to the place where your camera will be installed. Then tap **Next**.



Step 5. Read the note and then tap **Finish** to complete the initialization of your camera.



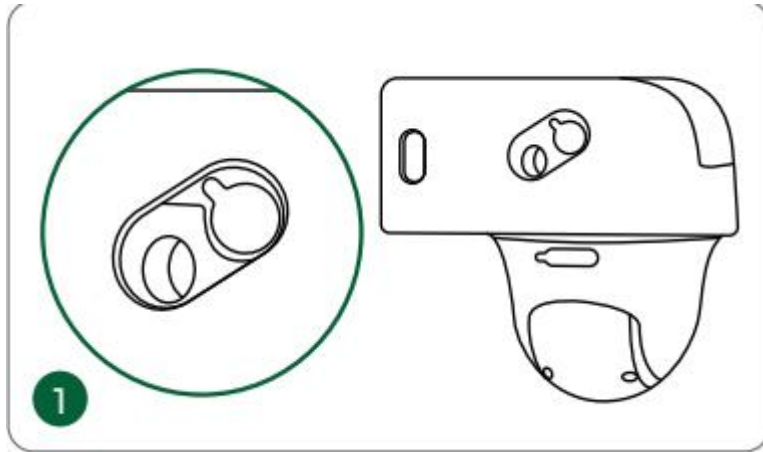
Now the initialization is finished and you can move it to the position you want. Here is an article to choose a good position for the camera.

Install the Camera

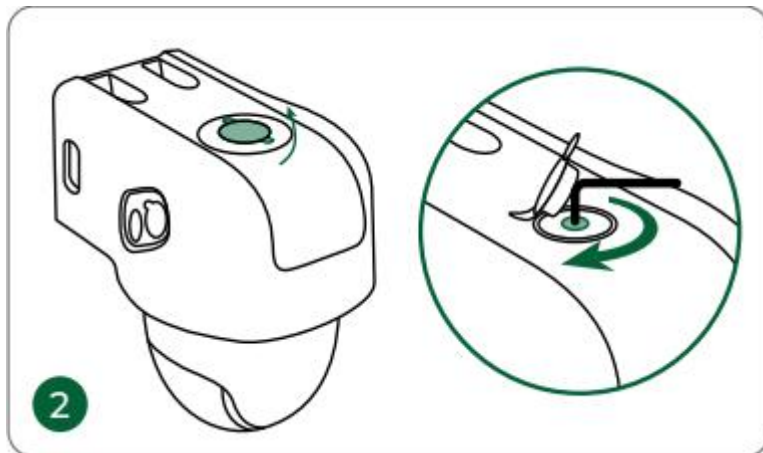
We offer you guides on three different scenes in which the camera could be installed. Check out them respectively.

- For outdoor use, the camera **MUST** be installed upside down for better waterproof performance and better PIR motion sensor's efficiency.
- Install the camera 2-3 meters (7-10 ft) above the ground. This height maximizes the detection range of the PIR motion sensor.
- For better motion detection performance, please install the camera angularly

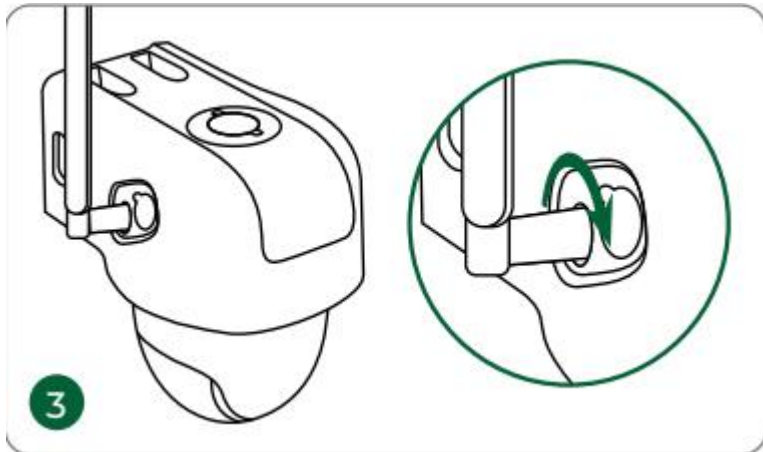
Step 1. Put the cover on the camera. Make sure that the hole on the cover aligns with the antenna post and the charging port, as shown in the picture.



Step 2. Open the top of the cover and secure the camera with the hexagonal screw.



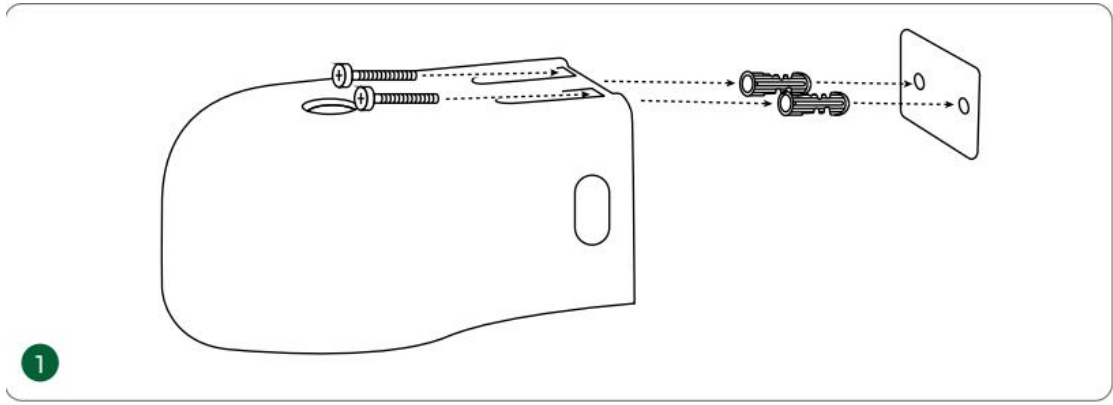
Step 3. Install the antenna to the camera.



Mount the Camera to the Wall

Drill holes in accordance with the mounting hole template and screw the security mount to the wall.

NOTE: Use the drywall anchors included in the package if needed.



Install the Camera with Loop Strap

Thread the provided strap through the bracket and fasten it to a tree.

